



Z147

Z Master[®] with 44in SFS Side Discharge Mower

Model No. 74176—230006001 and Up

Parts Catalog

Ordering Replacement Parts

To order replacement parts, please supply: the part number, the quantity, and the description of each part desired.

Understanding Reference Numbers

Each identified part in an illustration has a reference number. The reference number for a part also appears in the parts list, along with other information about the part.

This catalog uses two special reference number formats, one to indicate parts in a service assembly and another to indicate the quantity of a given part in an illustration.

Service Assembly Reference Numbers

Parts in service assemblies have reference numbers in the form **a:b**. The **a** represents the reference number of the entire service assembly and the **b** represents a sequential number unique to each part within the service assembly.

For example, a wheel assembly might be identified by reference number **6**, the tire by **6:1**, the valve by **6:2**, and the wheel by **6:3**. When you order the assembly identified by reference number **6**, you receive all parts identified by reference numbers **6:1**, **6:2**, and **6:3**. However, you may also order any part individually.

Reference numbers of this type appear in illustrations and in part lists.

Reference Numbers Indicating Quantity

In an illustration, if a reference number indicates more than one part, the reference number has the form **nX y**. The **n** represents the quantity of the part, the **X** is the multiplication symbol, and the **y** represents the reference number.

For example, in an illustration, the reference number **2X 37** means that two of the parts identified by reference number **37** are indicated.

Contents

Description	Page
Front Frame Assembly	4
Caster Wheel Assembly No. 1-634662	5
Front Spring Assembly No. 103-1987	6
Height of Cut Assembly	7
Main Frame Assembly	8
Seat Assembly No. 1-633705	9
Fuel System Assembly	10
Parking Brake System Assembly	11
Motion Control System Assembly	12
Hydraulic System Assembly	13
Pump, Idler and Belt Assembly	15
Engine and Clutch Assembly	16
Deck and Wheel Gage Assembly	17
Deck Assembly No. 106-5883	18
Deck Spindle Assembly	19
Idler, Pulley/Lift Strut, Chain Assembly	20
Electrical System Assembly	21
Electrical Schematic	22
Air Filter/Muffler Assembly	
Kawasaki FH500V-ES10	23
Fuel Tank/Fuel Valve Assembly	
Kawasaki FH500V-ES10	24

Description	Page
Label Assembly	
Kawasaki FH500V-ES10	25
Lubrication Equipment Assembly	
Kawasaki FH500V-ES10	26
Piston/Crankshaft Assembly	
Kawasaki FH500V-ES10	27
Carburetor Assembly	
Kawasaki FH500V-ES10	28
Control Equipment Assembly	
Kawasaki FH500V-ES10	30
Cooling Equipment Assembly	
Kawasaki FH500V-ES10	32
Cylinder/Crankcase Assembly	
Kawasaki FH500V-ES10	34
Electric Equipment Assembly	
Kawasaki FH500V-ES10	36
Valve/Camshaft Assembly	
Kawasaki FH500V-ES10	38
Starter Assembly	
Kawasaki FH500V-ES10	40

Accessories

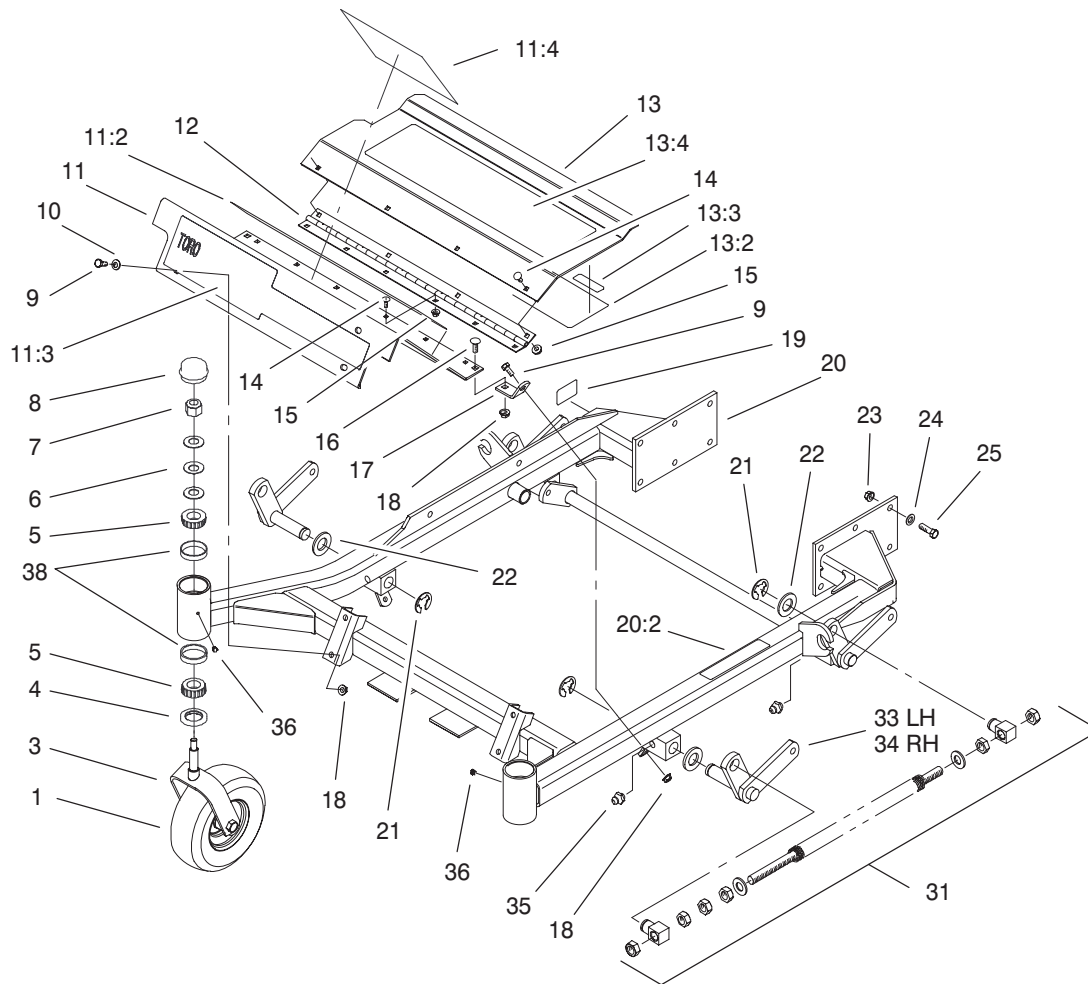
Description	Model / Part No.
Recycler Kit	59220
Z Recycler Kit	59226
Striping Kit	30121
Suspension Seat	99-8522
Bagger Kit	78455
Hitch Kit	99-8924
Atomic Blade ASM (Single Blade)	104-1300

Description	Model / Part No.
Z-Stand Kit	105-1621
Mulching Blade	55-4940-03
Soft Bag Finishing Kit	78496
Boot and Tube Kit (For DFS Bagger)	78492
DFS Bagger	78490
ROPS	TORO Dealer

Part Description Abbreviations

Part descriptions in this catalog may include the following abbreviations.

Abbreviation	Meaning	Abbreviation	Meaning
AR	as required	INC	incorporated
ASM	assembly	LH	left hand
CARR	carriage	NI	nylon insert
DEG	degrees	PPH	Phillips pan head
FH	flat head	PTH	Phillips truss head
GA	gauge	PTO	power take off
HF	hex flange	RH	right hand
HH	hex head	SFH	slotted fillister head
HHF	hex head flange	SHH	slotted hex head
HLH	hex lag head	SQH	square head
HJ	hex jam	SHWH	slotted hex washer head
HOC	height-of-cut	SPH	slotted pan head
HS	hex socket	SRH	slotted round head
HSBH	hex socket button head	STD	standard
HSFH	hex socket flat head	TAP	self tapping
HSH	hex socket head	TTH	Torx truss head
HWH	hex washer head	WH	wing head
HWHTF	hex washer head thread forming		

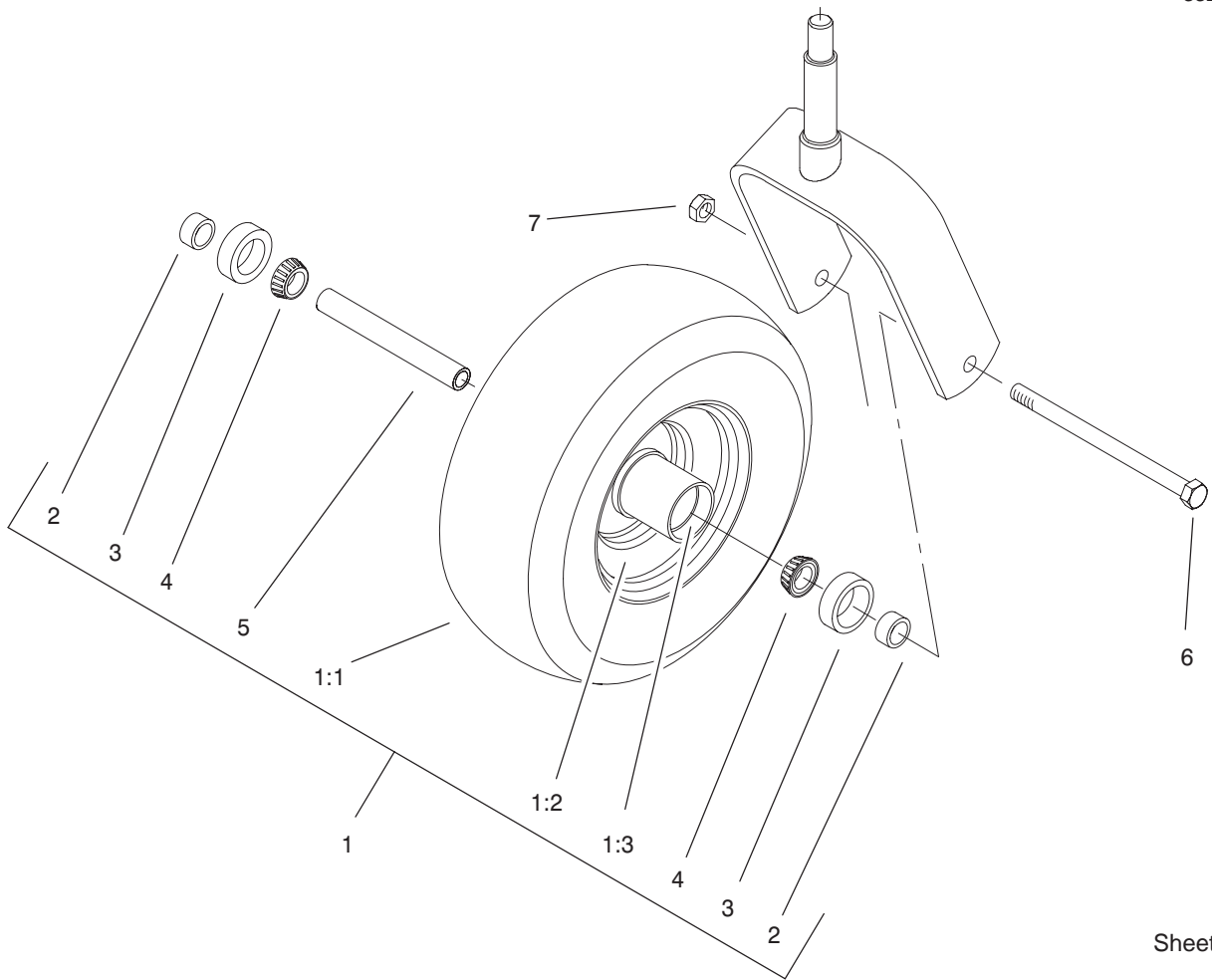


Sheet No.:2

Front Frame Assembly

Ref. No.	Part No.	Qty.	Description
1	1-634662	2	Caster Wheel ASM
3	1-632511-01	2	Caster
4	1-543511	2	Seal-Grease
5	254-94	4	Bearing-Cone, Taper
6	1-633508	6	Washer-Bellville
7	3296-51	2	Nut-Lock, NI
8	1-543513	2	Cap-Grease
9	322-3	6	Screw-HH
10	3256-23	4	Washer-Flat
11	99-3940	1	Floorpan-Front
11:2	1-633553	1	Pad-Antiskid
11:3	1-633737	1	Decal-Z Master
12	1-653049	1	Hinge-Floorpan
13	99-3930	1	Footrest ASM
13:2	99-3924	1	Decal-Service
13:3	98-5954	1	Decal-Missing, Cover
13:4	1-633553	1	Pad-Antiskid
14	3229-10	10	Screw-CARR
15	32128-33	10	Nut-HF
16	3230-1	2	Bolt-CARR
17	99-3870-01	2	Bracket-Floorpan
18	32128-20	8	Nut-HF
19	105-2625	1	Decal-Safety STD
20	99-3931	1	Front Frame ASM
20:2	1-633818	1	Decal-Warning
21	32151-103	6	Ring-Snap

Ref. No.	Part No.	Qty.	Description
22	3256-29	6	Washer-Flat
23	3290-357	12	Nut-HHF
24	98-5975	12	Washer-Belleville
25	323-7	12	Screw-HH
31	103-1987	2	Front Spring ASM
33	99-3871-01	1	LH Lift Arm ASM
34	99-3872-01	1	RH Lift Arm ASM
35	302-19	4	Fitting-Grease
36	1-811010	2	Plug
38	254-72	4	Bearing-Cup, Tapered

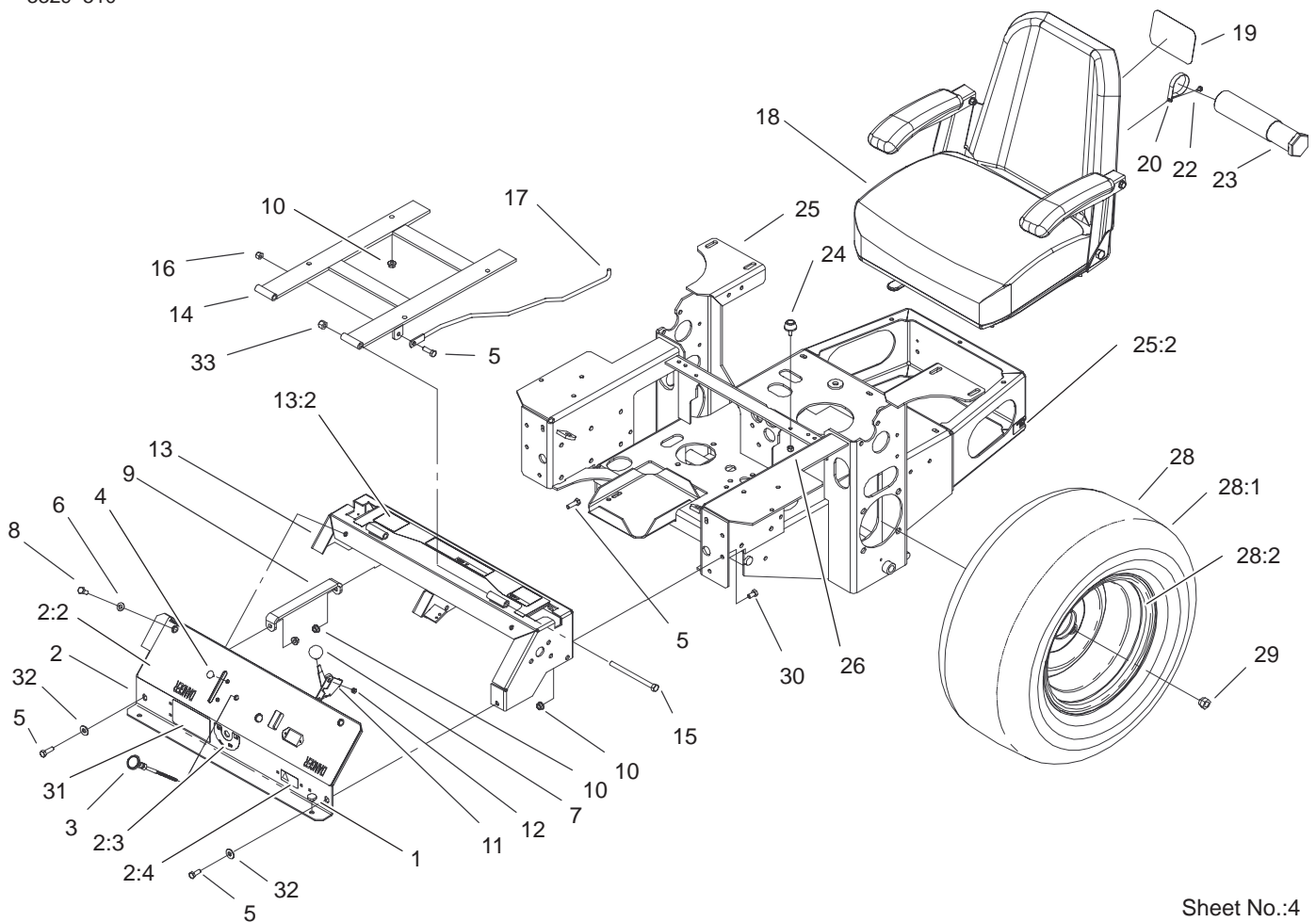


Sheet No.:A1
C-3038

Caster Wheel Assembly No. 1-634662

Ref. No.	Part No.	Qty.	Description
1	1-633582	1	Wheel And Tire ASM
1:1	1-633002	1	Tire
1:2	1-633583	1	Wheel
1:3	1-633584	2	Bearing-Cup
2	1-633581	2	Spacer-Bearing
3	1-633580	2	Seal-Bearing
4	1-633585	2	Bearing-Cone, Taper
5	1-633579	1	Spacer-Caster, Front
6	325-36	1	Screw-HH
7	3296-45	1	Nut-Lock, NI

Ref. No.	Part No.	Qty.	Description

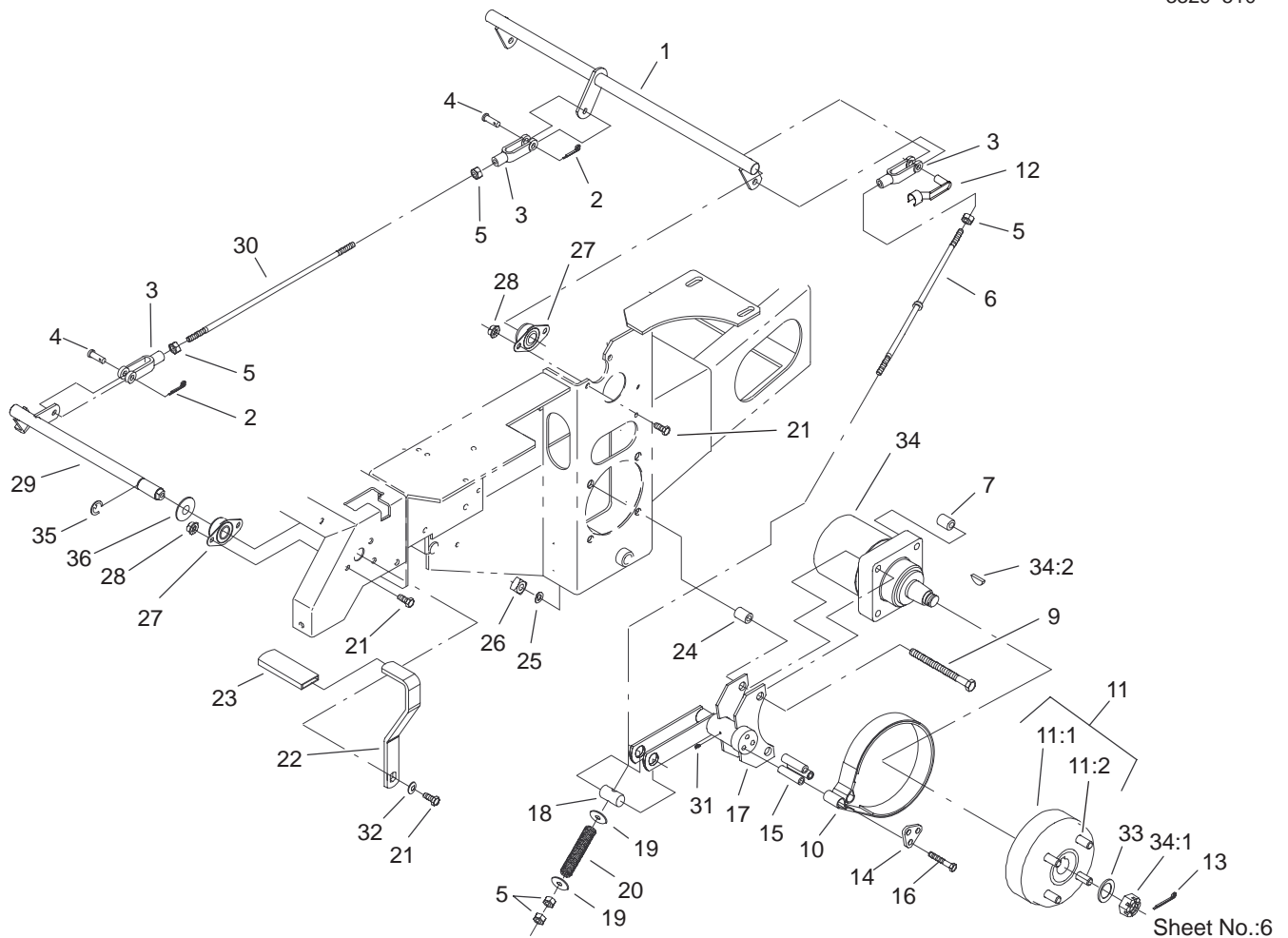


Sheet No.:4

Main Frame Assembly

Ref. No.	Part No.	Qty.	Description
1	1-513658	2	Bumper-Catcher, Grass
2	99-3932	1	Control Panel ASM
2:2	99-3942	1	Decal-Panel, Control
2:3	103-0262	1	Decal-Valve, Fuel
2:4	98-4387	1	Decal-Protection, Ear
3	1-603336	1	Control-Choke
4	1-807513	2	Bolt-CARR
5	322-5	3	Screw-HH
6	3256-23	2	Washer-Flat
7	1-513592	1	Knob-Ball
8	322-3	3	Screw-HH
9	1-653089-03	1	Bracket
10	32128-20	12	Nut-HF
11	1-633696	1	Cable-Throttle
12	3296-2	2	Nut-Lock
13	105-6123	1	Console ASM
13:2	103-1997	1	Decal-Console, Top
14	1-632187-03	1	Frame-Seat
15	323-39	2	Screw-HH
16	3296-29	1	Nut-Lock, NI
17	103-1731	1	Rod-Retainer, Seat
18	1-633705	1	Seat ASM
19	99-4693	1	Decal-Toro
20	2412-120	2	R-Clamp
22	32104-76	2	Screw

Ref. No.	Part No.	Qty.	Description
23	74-0720	1	Tube-Manual
24	1-523420	2	Bumper
25	105-3649	1	Main Frame ASM
25:2	65-2690	2	Decal-Surface, Hot
26	3296-42	2	Nut-Lock, NI
28	1-653010	2	Wheel And Tire ASM
28:1	1-653160	1	Tire
28:2	1-653158	1	Wheel
29	242-50	8	Nut-Lug
30	322-2	6	Screw-HH
31	99-4603	1	Decal
32	3256-3	2	Washer-Flat
33	3296-39	2	Nut-Lock, NI

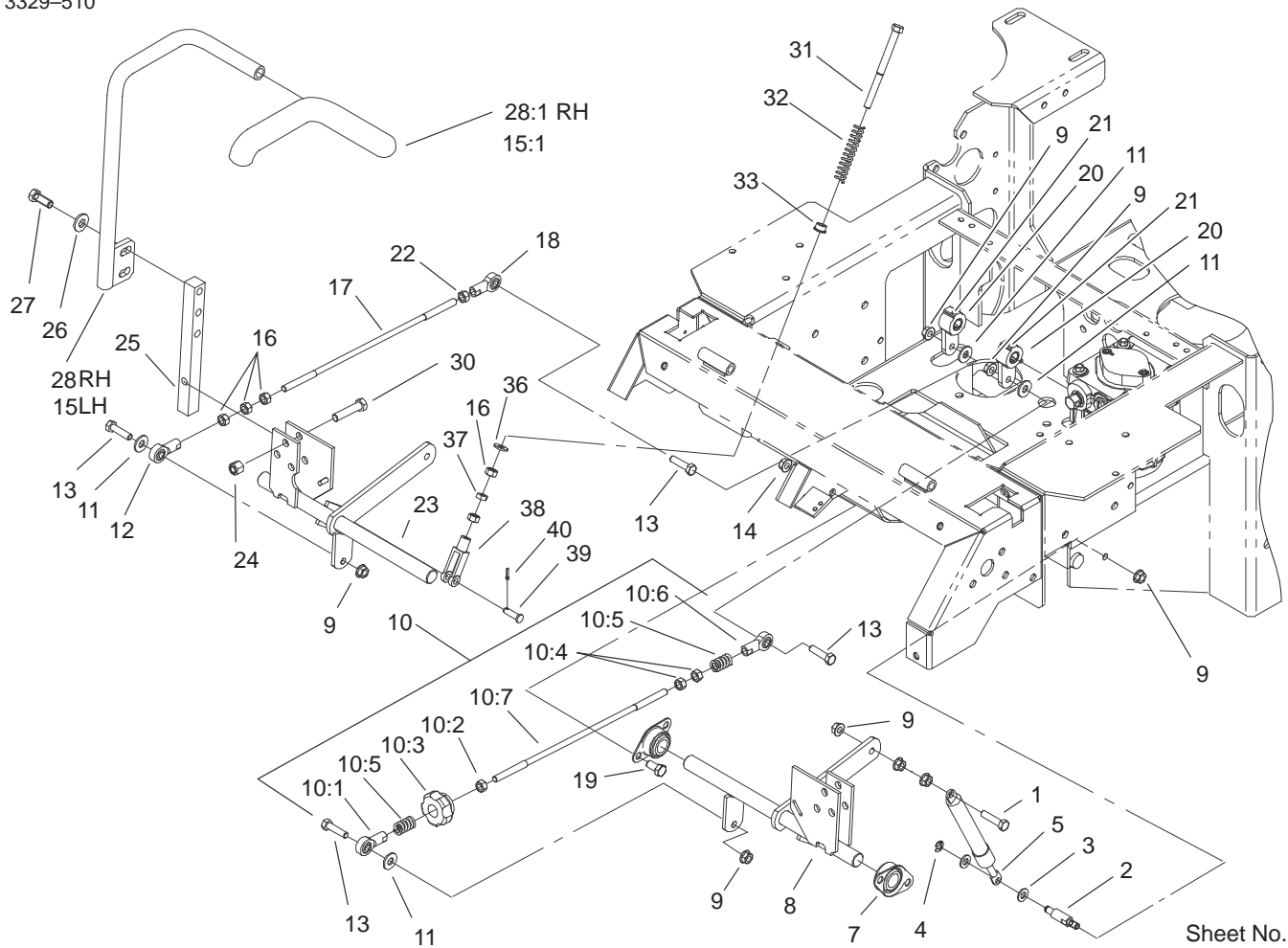


Sheet No.:6

Parking Brake System Assembly

Ref. No.	Part No.	Qty.	Description	Ref. No.	Part No.	Qty.	Description
1	1-652073-03	1	Crank-Brake, Park	26	103-0131	8	Nut-Square
2	3272-10	2	Pin-Cotter	27	1-633102	4	Bearing-Flange, Side
3	1-633131	4	Yoke-Linkage, Brake	28	3290-357	8	Nut-HHF
4	1-808285	2	Pin-Clevis	29	103-3116	1	Shaft-Brake, Parking
5	3219-3	8	Nut-HH	30	1-653061	1	Linkage-Handle, Brake
6	103-0356	2	Rod-Brake	31	1481	2	Fitting-Grease
7	1-653068	4	Spacer-Wheel	32	98-5975	1	Washer-Belleville
9	325-13	8	Screw-HH	33	1-523157	2	Washer-Spacer
10	103-0355	2	Band-Brake	34	1-523328	2	Motor-Wheel
11	103-0590	2	Hub-Wheel	34:1	1-809036	1	Nut-HH
11:1	103-0589	1	Hub-Wheel	34:2	3257-42	1	Key-Woodruff
11:2	1-633926	4	Stud-Wheel	*34:99	1-000099	1	Seal Kit
12	103-2399	2	Pin-Spring, Clevis	*34:99	1-000139	1	Bearing Kit
13	1-806800	2	Pin-Cotter	*34:99	103-2748	1	Drive Link Kit
14	103-0374	2	Retainer-Band, Brake	35	32151-48	1	E-Ring
15	103-0384	6	Spacer	36	3256-28	1	Washer-Flat
16	322-9	6	Screw-HH				
17	103-0352-03	2	Bracket-Brake				
18	1-633144	2	Pin-Trunion				
19	3256-4	4	Washer-Flat				
20	1-633454	2	Spring-Brake				
21	323-4	9	Screw-HH				
22	1-653074-03	1	Handle-Brake, Park				
23	1-633268	1	Grip-Lever, Brake				
24	1-653069	4	Spacer-Wheel				
25	3253-7	8	Washer-Lock				

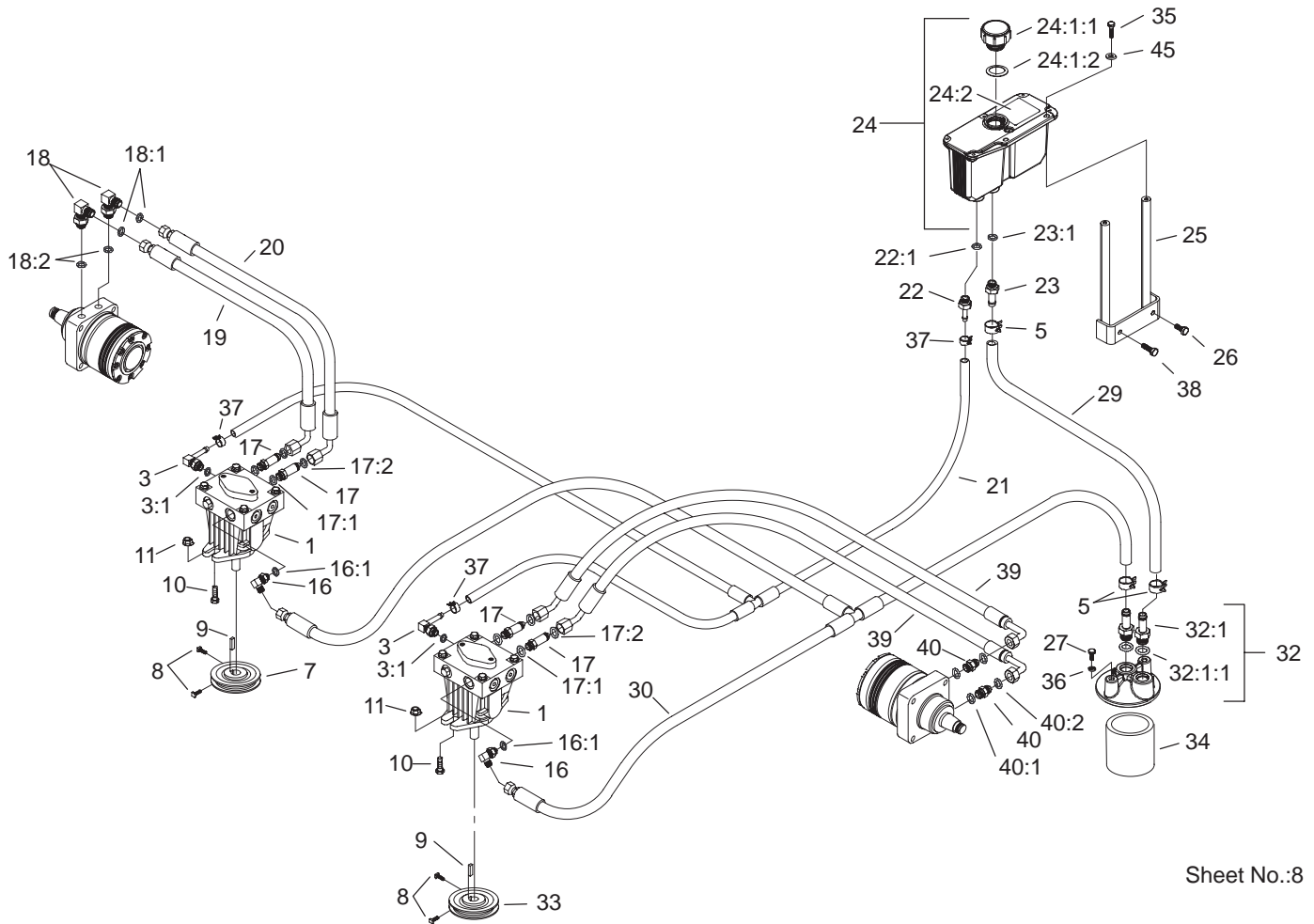
* Not illustrated



Motion Control System Assembly

Ref. No.	Part No.	Qty.	Description
1	1-403180	2	Screw-HH
2	1-653316	2	Pin-Damper
3	3256-23	4	Washer-Flat
4	32120-35	2	E-Ring
5	103-2913	2	Damper-Control, Motion
7	1-633102	4	Bearing-Flange, Side
8	103-2199	1	LH Motion Control ASM
9	32128-20	12	Nut-HF
10	103-3063	1	Tracking Rod ASM
10:1	1-543017	1	Balljoint-RH
10:2	3219-2	1	Nut-Hex
10:3	103-3060	1	Knob-Tracking
10:4	1-804524	2	Nut
10:5	1-323245	2	Spring-Compression
10:6	1-633152	1	Balljoint-Thread, LH
10:7	103-3066	1	Link-Rod, Tracking
11	3256-3	4	Washer-Flat
12	1-543017	1	Balljoint-RH
13	322-6	4	Screw-HH
14	3290-357	8	Nut-HHF
15	103-0631	1	LH Lever ASM
15:1	1-633257	1	Grip-Control, Motion
16	3219-2	7	Nut-Hex
17	103-3066	1	Link-Rod, Tracking

Ref. No.	Part No.	Qty.	Description
18	1-633152	1	Balljoint-Thread, LH
19	323-4	8	Screw-HH
20	103-3717	2	Arm,Pump Control
21	1-803022	2	Screw-Set
22	1-804524	1	Nut
23	103-2200	1	RH Motion Control ASM
24	3296-39	6	Nut-Lock, NI
25	103-0407	2	Arm-Shaft, Control
26	98-5975	4	Washer-Belleville
27	323-6	4	Screw-HH
28	103-0632	1	RH Lever ASM
28:1	1-633257	1	Grip-Control, Motion
30	323-9	6	Screw-HH
31	1-603737	2	Bolt-Return, Neutral
32	1-603807	2	Spring-Return, Neutral
33	1-603735	2	Bushing-Flanged
36	3256-2	2	Washer-Flat
37	3220-2	2	Nut
38	1-303105	2	Yoke-Adjustable
39	1-808280	2	Pin-Clevis
40	3272-5	2	Pin-Cotter



Sheet No.:8

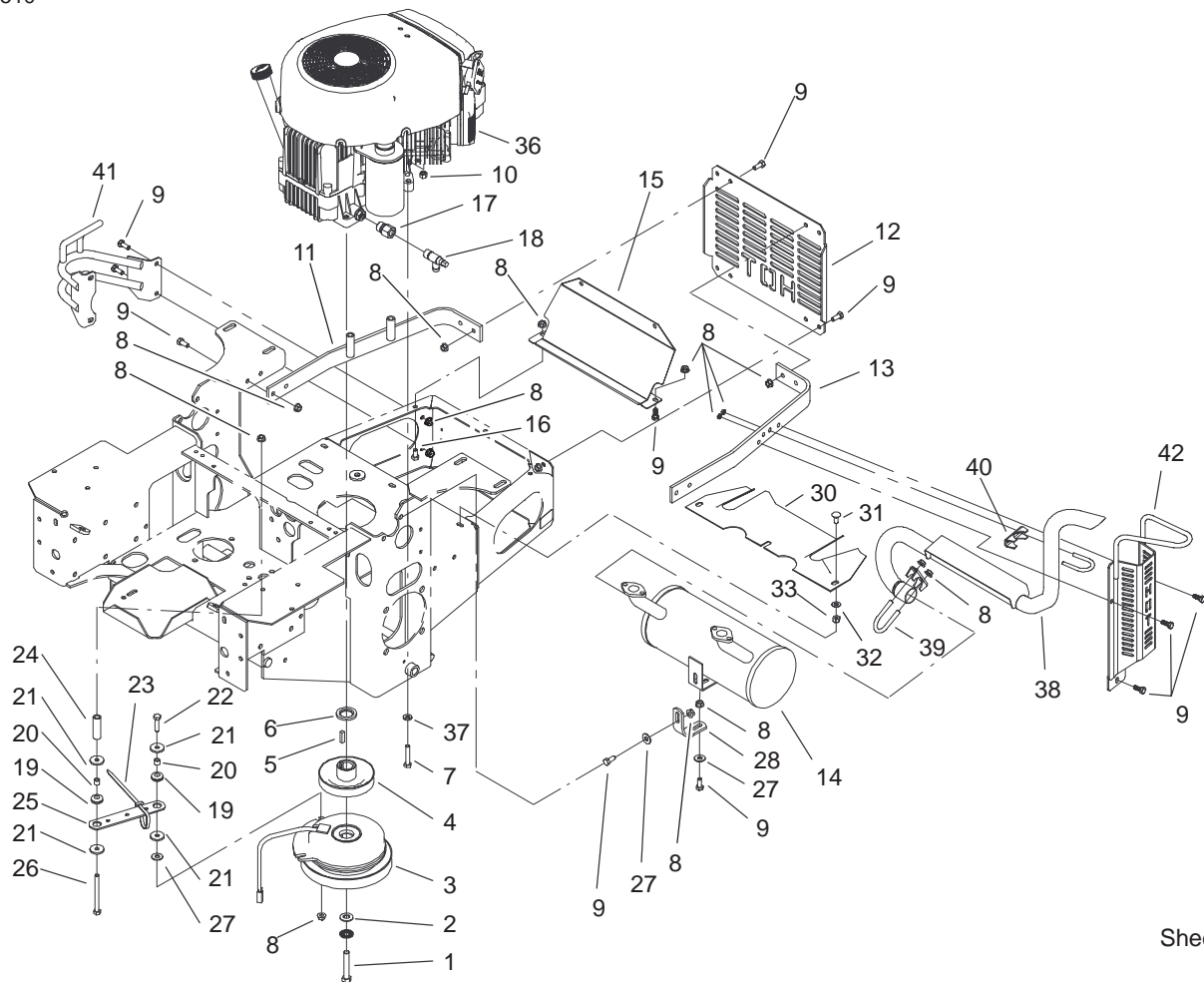
Hydraulic System Assembly

Ref. No.	Part No.	Qty.	Description
1	103-1942	2	Pump-Hydraulic
*1:1	105-6184	1	Seal Overhaul Kit
*1:2	105-6185	1	Plate-Valve
*1:8	103-2664	1	Input Shaft Kit
*1:9	94-6922	1	Bearing-Thrust
*1:10	103-2666	1	Cylinder Block Kit
*1:14	106-2053	1	Shock Valve Kit
3	103-1799	2	Elbow-90°
3:1	237-42	1	O-Ring
5	103-1988	3	Clamp-Hose
7	1-653156	2	Sheave
8	1-803050	4	Screw-Set
9	1-807272	2	Key
10	323-7	4	Screw-HH
11	3290-357	4	Nut-HHF
15	103-2644	1	Decal-Exhaust
16	103-1802	2	Fitting-HYD, 90°
16:1	237-42	1	O-Ring
17	103-1940	4	Adapter-HYD, Straight
17:1	237-79	1	O-Ring
17:2	1-603992	1	O-Ring
18	1-633605	2	Fitting-HYD, 90°
18:1	1-603992	1	O-Ring
18:2	237-80	1	O-Ring
19	1-653186	1	Hose-Front
20	1-653187	1	Hose-RH, Rear

Ref. No.	Part No.	Qty.	Description
21	103-2357	1	HYD Hose ASM
22	103-1801	1	Adapter-Straight
22:1	237-42	1	O-Ring
23	103-1912	1	Adapter-Straight
23:1	237-42	1	O-Ring
24	103-1947	1	HYD Reservoir ASM
☆24:1		1	Reservoir-HYD
24:1:1	103-1948	1	Cap-Reservoir, HYD
24:1:2	103-1949	1	Gasket-Cap
24:2	1-523552	1	Decal-Tank, HYD
25	103-3071-03	1	Stand-Reservoir
26	322-3	1	Screw-HH
27	321-3	2	Screw-HH
29	103-3077	1	HYD Hose ASM
30	103-2930	1	HYD Hose ASM
32	103-2889	1	Filter Head ASM
32:1	103-1912	2	Adapter-Straight
32:1:1	237-42	1	O-Ring
33	32128-20	2	Nut-HF
34	1-633750	1	Filter-HYD
34	1-633752	1	Filter-HYD, Winter
35	321-6	2	Screw-HH
36	1-805004	2	Washer-Lock
37	103-1716	3	Clamp-Hose
38	322-5	1	Screw-HH
39	103-3809	2	Hose,LH 44/48

* Not illustrated

☆ Not serviced separately



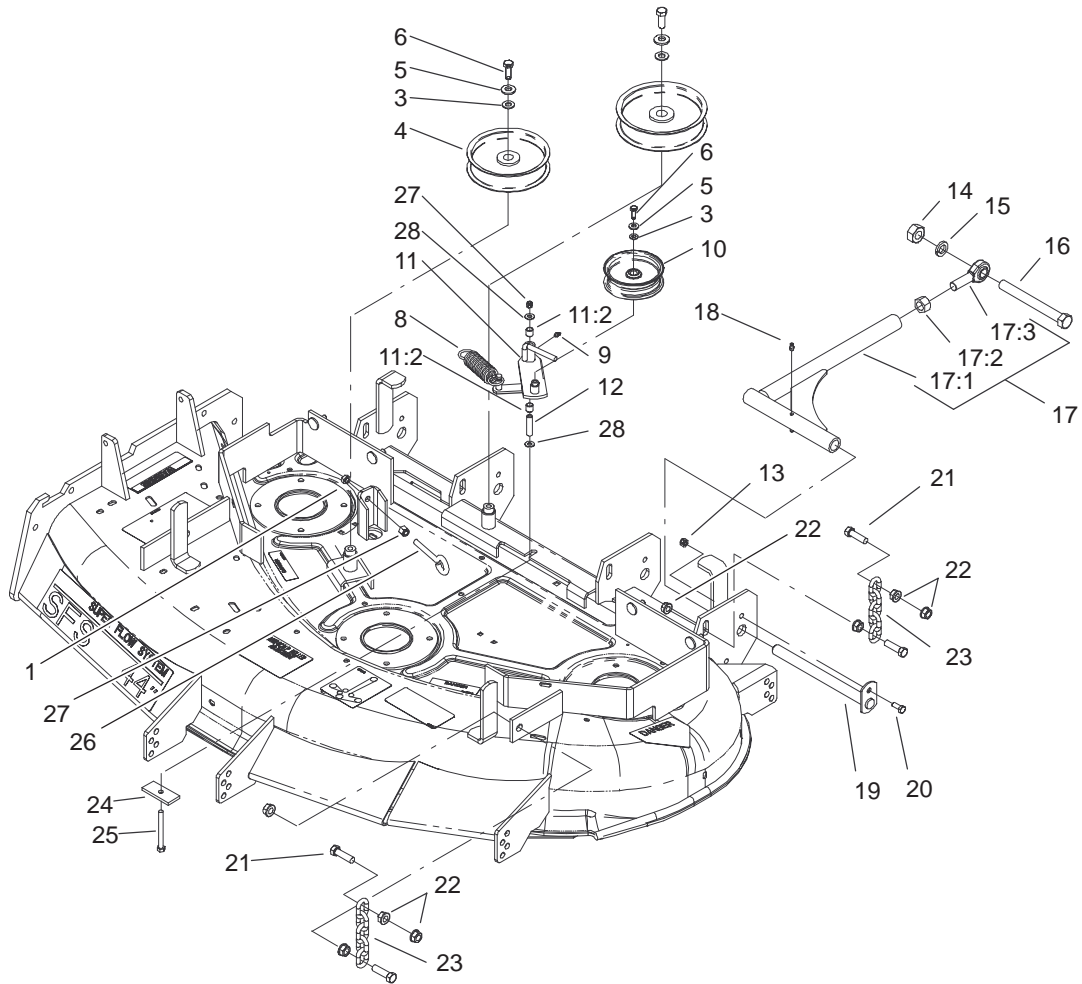
Sheet No.:11

Engine and Clutch Assembly

Ref. No.	Part No.	Qty.	Description
1	3212-12	1	Screw-HH
2	1-603610	2	Washer-Spring
3	103-0690	1	Clutch
4	1-653035	1	Sheave W/Hub
5	1-807259	1	Key
6	103-2308	1	Spacer-Crankshaft
7	322-9	4	Screw-HH
8	32128-20	27	Nut-HF
9	322-3	21	Screw-HH
10	3296-29	4	Nut-Lock, NI
11	103-3078-03	1	Strap-Guard, Engine RH
12	1-653095-03	1	Shield-Engine
13	103-3164-03	1	Strap-Guard, Engine LH
14	103-1324	1	Muffer
15	103-2560-03	1	Shield-Heat
16	322-2	4	Screw-HH
17	103-1966	1	Adapter
18	103-1965	1	Valve-Drain, Oil
19	1-633630	2	Grommet-Brake
20	1-633545	2	Spacer-Grommet
21	1-613235	4	Washer
22	322-6	1	Screw-HH
23	1-303335	2	Tie-Plastic
24	103-2614	1	Spacer

Ref. No.	Part No.	Qty.	Description
25	1-633543-03	1	Strap-Clutch, Brake
26	322-22	1	Screw-HH
27	3256-3	3	Washer-Flat
28	1-653196	1	Bracket-Support, Muffer
30	1-653565-03	1	Shield-Heat
31	3230-1	3	Bolt-CARR
32	3256-23	3	Washer-Flat
33	3296-29	3	Nut-Lock, NI
☆36		1	Engine-Kawasaki, Fh500v
37	1-303334	2	Washer-Spring
38	103-2599	1	Tailpipe
39	103-2630	1	Clamp
40	103-2631	1	Clamp
41	103-2564-03	1	RH Exhaust Guard ASM
42	103-2566-03	1	LH Exhaust Guard ASM

☆ Not serviced separately

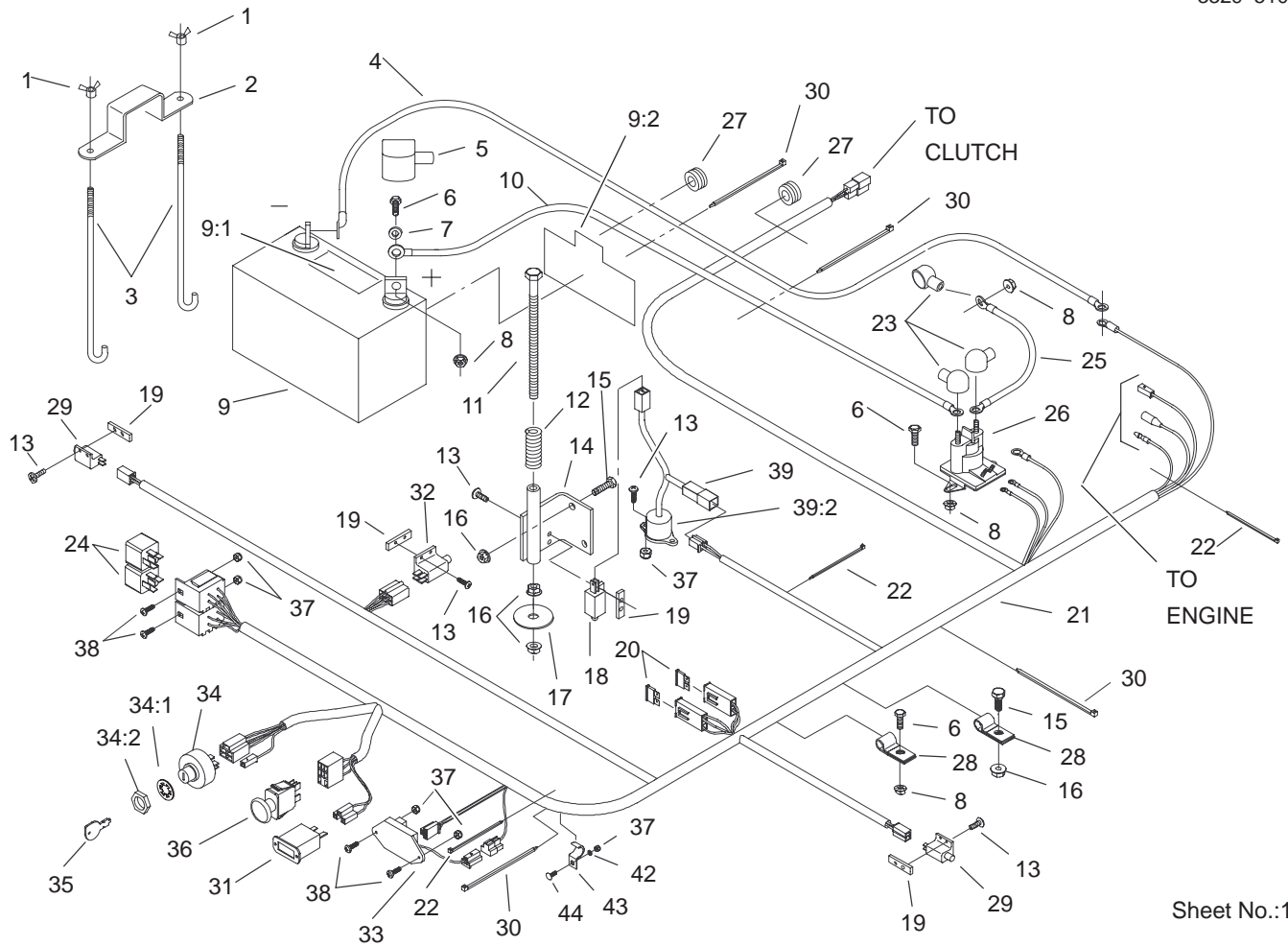


Sheet No.:16
C-3040

Idler, Pulley/Lift Strut, Chain Assembly

Ref. No.	Part No.	Qty.	Description
1	3217-7	1	Nut-Hex
3	3256-24	3	Washer-Flat
4	1-613098	2	Pulley-Idler
5	98-5975	3	Washer-Belleville
6	323-6	3	Screw-HH
8	103-3330	1	Spring-Extension
9	302-40	1	Fitting-Grease
10	99-8912	1	Pulley-Idler, Flat
11	99-8914	1	Idler Arm ASM
11:2	1-513034	2	Sleeve-Bearing
12	1-603384	1	Bushing-Pivot, Idler
13	3296-29	2	Nut-Lock, NI
14	3217-11	2	Nut-Hex
15	3253-8	2	Washer-Lock
16	1-800344	2	Screw
17	103-1081	2	Strut ASM
17:1	103-1072-01	1	Strut
17:2	3219-6	1	Nut-Hex
17:3	1-633029	1	Balljoint-Spherical
18	302-19	4	Fitting-Grease
19	1-632199-01	2	Pin-Strut
20	322-3	2	Screw-HH
21	1-800811	8	Screw-Cap, HH
22	32128-37	16	Nut-HF
23	1-633447	4	Chain-Lift, Deck
24	99-3946-01	1	Plate-Retainer, Bolt

Ref. No.	Part No.	Qty.	Description
25	1-800805	1	Screw-HH
26	94-2547	1	Bolt-Eye
27	3296-39	2	Nut-Lock, NI
28	1-809107	2	Washer-Hardened



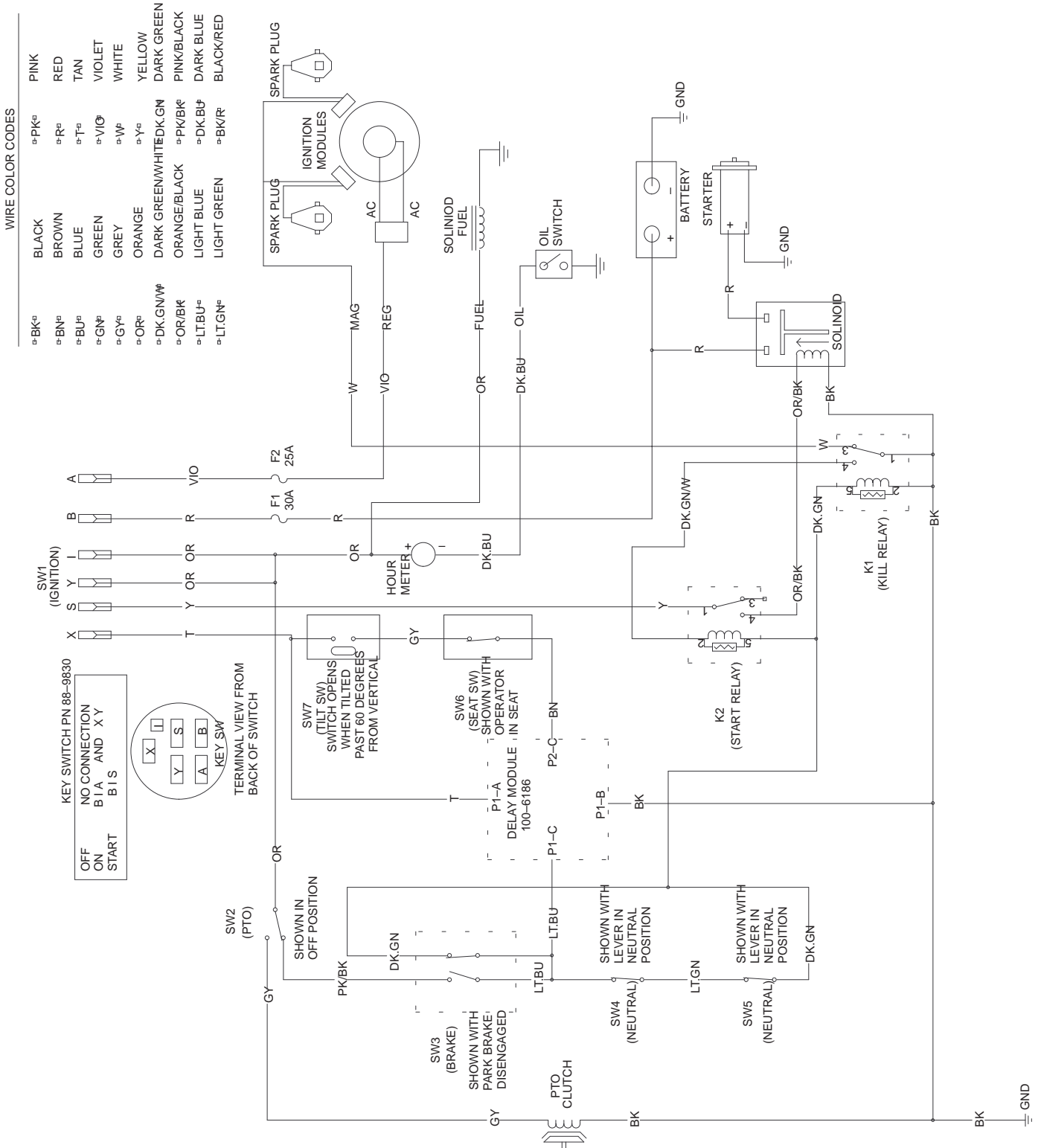
Sheet No.:19

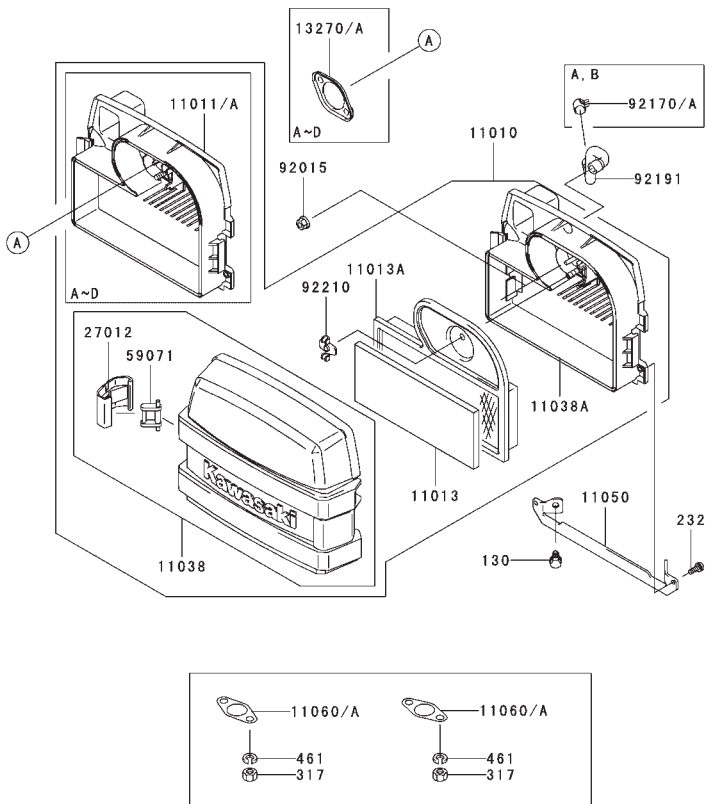
Electrical System Assembly

Ref. No.	Part No.	Qty.	Description
1	1-543792	2	Wingnut
2	1-633652-03	1	Strap-Holddown
3	1-633651	2	Bolt-Holddown
4	103-0705	1	Cable-Ground, Negative
5	1-543391	1	Insulator-Battery
6	321-4	5	Screw-HH
7	3256-2	2	Washer-Flat
8	32128-33	6	Nut-HF
9	105-1692	1	Battery
9:1	104-4163	1	Decal-Battery
9:2	104-4164	1	Decal-Battery
10	103-0707	1	Cable-Battery, Positive
11	1-800282	1	Screw-HH
12	1-523415	1	Spring-Switch, Seat
13	3290-500	10	Screw-PPH
14	1-652072-03	1	Bracket-Switch, Seat
15	322-3	3	Screw-HH
16	32128-20	5	Nut-HF
17	1-653036	1	Washer
18	1-513152	1	Switch-Closed, Normally
19	1-633181	4	Plate-Tapped
20	1-816001	2	Fuse-Type, Blade
21	103-0623	1	Harness-Wire

Ref. No.	Part No.	Qty.	Description
22	1-303287	3	Tie-Plastic
23	1-543393	3	Insulator-Solenoid
24	1-643275	2	Relay
25	1-633306	1	Wire-Starter
26	1-513075	1	Switch-Solenoid
27	1-543286	2	Grommet
28	1-633396	2	Clip-Loom
29	1-513051	2	Switch-Open, Normally
30	1-303335	4	Tie-Plastic
31	1-513374	1	Meter-Hour
32	1-633111	1	Switch
33	100-6186	1	Module-Delay, Seat
34	88-9830	1	Key Switch ASM
34:1	3254-5	1	Washer-Tooth
34:2	218-461	1	Nut-HH
35	63-8360	2	Key-Ignition
36	1-633673	1	Switch-Delta
37	3296-2	7	Nut-Lock
38	1-807513	4	Bolt-CARR
39	1-644427	1	Tilt Switch ASM
39:2	1-643401	1	Decal-Switch, Mercury
42	3256-14	1	Washer-Flat
43	103-1193	1	Clip-Half, Loom
44	1-807533	1	Bolt-CARR

Electrical Schematic





Air Filter/Muffler Assembly Kawasaki FH500V-ES10

Ref. No.	Part No.	Qty.	Description
11010	11010-7001	1	Filter-Assy-Air
11013	11013-7001	1	Element-Air Filter
11013A	11013-7002	1	Element-Air Filter
11038	11038-7001	1	Case-Assy-Air Filter
11050	11050-7006	1	Bracket
11060A	11060-7021	2	Gasket, Muffler
27012	27012-7001	2	Hook, Air Filter
59071	59071-7001	2	Joint
92015	92015-1193	2	Nut
92191	92191-7001	1	Tube
92210	92210-7004	1	Nut
130	130B0612	2	Bolt-Flanged
232	232B0514	2	Screw-Pan-WS
317	317R0800	4	Nut-Hex-Small
461	461F0800	4	Washer-Spring

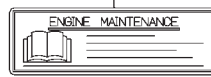
Ref. No.	Part No.	Qty.	Description

Obtain Parts From Kawasaki

56080/A/B



56033

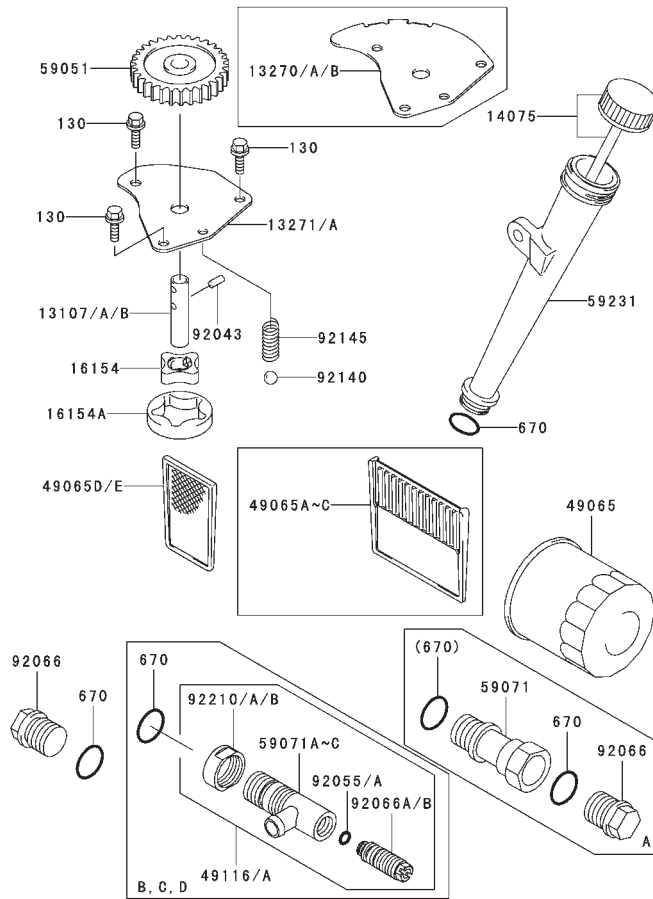


Label Assembly Kawasaki FH500V-ES10

Ref. No.	Part No.	Qty.	Description
56033	56033-7001	1	Label-Manual
56080A	56080-7011	1	Label-Brand

Ref. No.	Part No.	Qty.	Description

Obtain Parts From Kawasaki

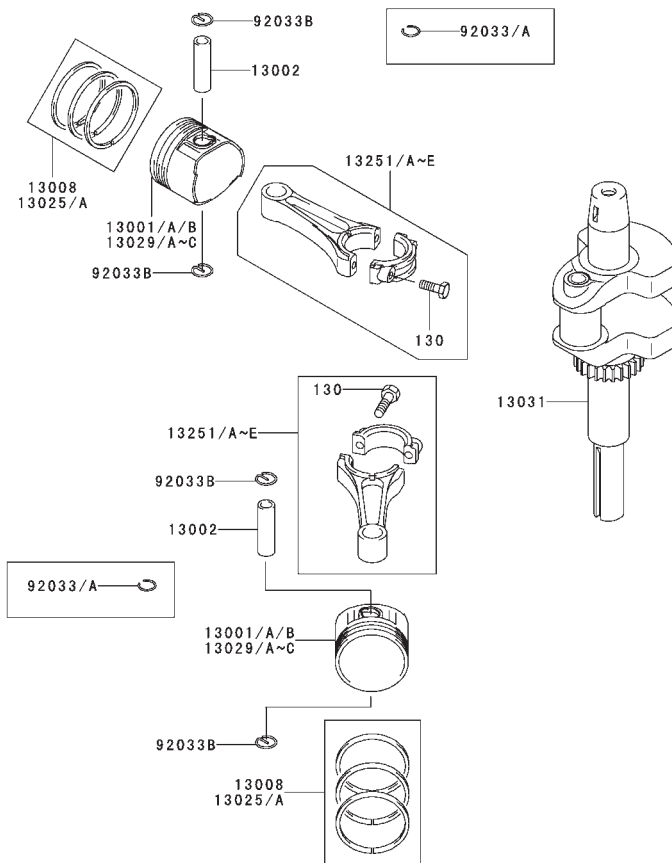


Lubrication Equipment Assembly Kawasaki FH500V-ES10

Ref. No.	Part No.	Qty.	Description
13107A	13107-7009	1	Shaft, Oil Pump
13271	13271-7017	1	Plate
14075	14075-7001	1	Cap-Assy
16154	16154-2053	1	Rotor-Pump, Out
16154A	16154-2054	1	Rotor-Pump, Out
49065	49065-2078	1	Filter-Oil
49065D	49065-7001	1	Filter-Oil
59051	59051-7004	1	Gear-Spur
59231	59231-7001	1	Filler
92043	92043-7003	1	Pin
92066	92066-7003	2	Plug
92140	92140-7003	1	Ball
92145	92145-7002	1	Spring
130	130B0612	3	Bolt-Flanged
670	670D2016	1	O-Ring

Ref. No.	Part No.	Qty.	Description

Obtain Parts From Kawasaki



Piston/Crankshaft Assembly Kawasaki FH500V-ES10

Ref. No.	Part No.	Qty.	Description
13001B	13001-7008	2	Piston-Engine
13002	13002-7001	2	Pin-Piston
13008	13008-6055	2	Ring-Set-Piston
13029C	13029-7004	AR	Piston
13031	13031-7001	1	Crankshaft-Comp
13251B	13251-7003	2	Rod-Assy-Connecting
13251D	13251-7004	2	Rod-Assy-Connecting
92033B	92033-7005	4	Ring-Snap
130	130G0630	4	Bolt-Flanged

Ref. No.	Part No.	Qty.	Description

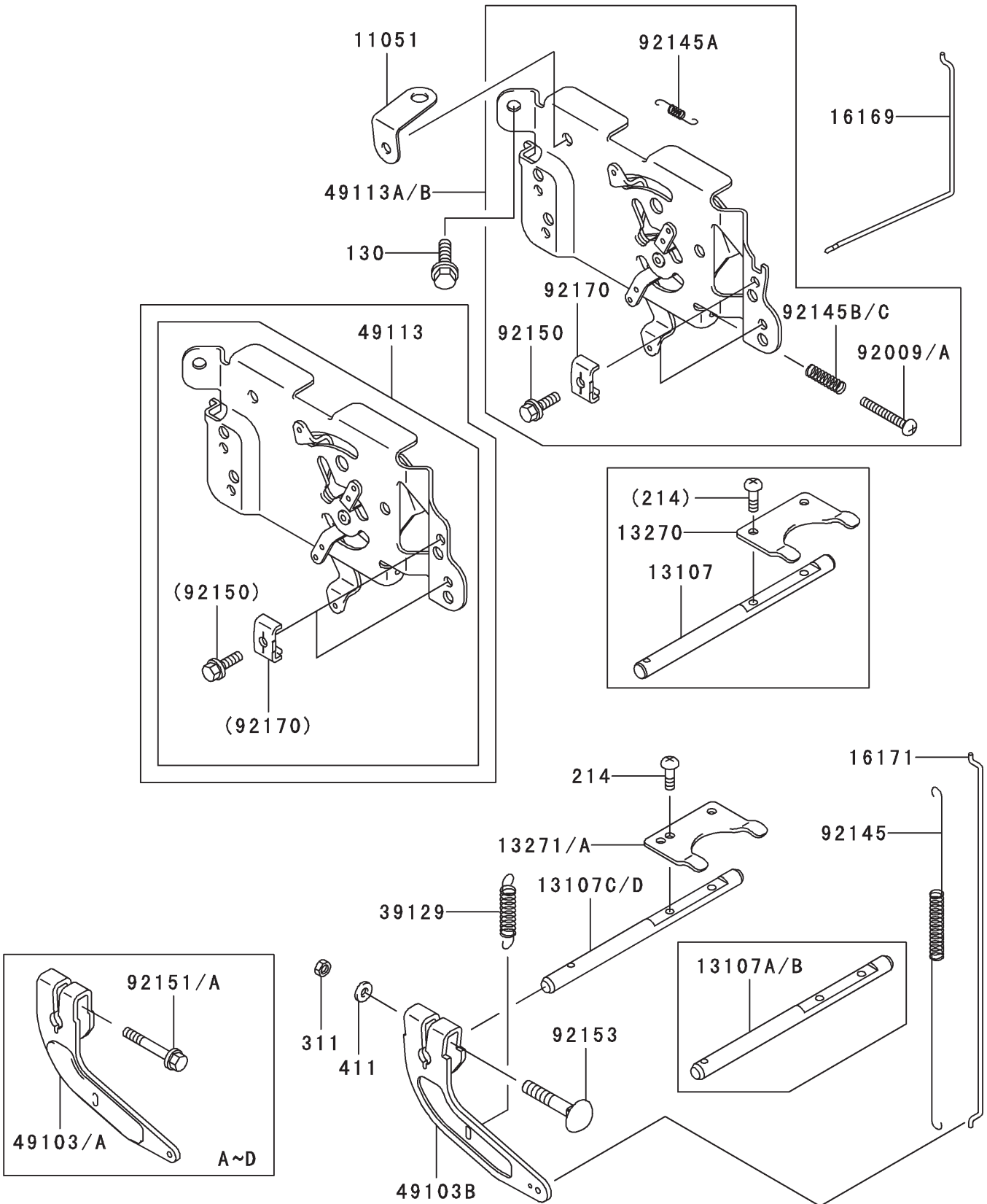
Obtain Parts From Kawasaki

Carburetor Assembly Kawasaki FH500V-ES10

Ref. No.	Part No.	Qty.	Description	Ref. No.	Part No.	Qty.	Description
11003	11003-2105	1	Seat-Valve				
11060	11060-2406	1	Gasket				
11060A	11060-7003	2	Gasket, Insulator				
11060B	11060-7004	1	Gasket, Air Filter				
11060C	11060-7005	2	Gasket				
11065	11065-2061	1	Cap				
15003C	15003-7037	1	Carburetor-Assy				
16014	16014-2080	1	Screw-Pilot Air				
16020	16020-2141	1	Chamber-Float				
16021	16021-2060	1	Screw-Throttlestop				
16025B	16025-2195	1	Valve-Throttle, #130				
16030	16030-2067	1	Valve-Float				
16031	16031-2066	1	Float				
16035D	16035-2077	1	Jet-Air, #0.8				
16035F	16035-2081	1	Jet-Air, #2.0				
16041	16041-2253	1	Shaft-Carburetor, Choke				
16041A	16041-7006	1	Shaft-Carburetor Throttle				
16073	16073-7001	1	Insulator				
16126B	16126-7008	1	Valve				
21188	21188-2011	1	Solenoid				
26011	26011-2281	1	Wire-Lead				
39076	39076-2053	1	Limiter				
43058	43058-3716	1	Ring				
49121B	49121-2231	1	Nozzle-Main				
59076	59076-7001	1	Manifold-Intake				
92009	92009-2015	1	Screw				
92009A	92009-2024	2	Screw				
92009B	92009-2081	1	Screw				
92009C	92009-2400	1	Screw				
92022	92022-2231	1	Washer				
92022A	92022-2239	1	Washer				
92027	92027-2025	1	Collar				
92033	92033-2067	1	Ring-Snap				
92043	92043-2226	1	Pin				
92063B	92063-2380	1	Jet-Main				
92064B	92064-2127	1	Jet-Pilot				
92081	92081-2009	2	Spring				
92081A	92081-2256	2	Spring				
92093	92093-2002	1	Seal				
92145	92145-2061	1	Spring				
92191A	92191-7016	1	Tube				
130	130B0635	4	Bolt-Flanged				
172	172G0685	2	Bolt-Stud				
214	214B0510	1	Screw-Pan				
482	482L4000	1	Circlip-Type-E				

Obtain Parts From Kawasaki

Control Equipment Assembly Kawasaki FH500V-ES10

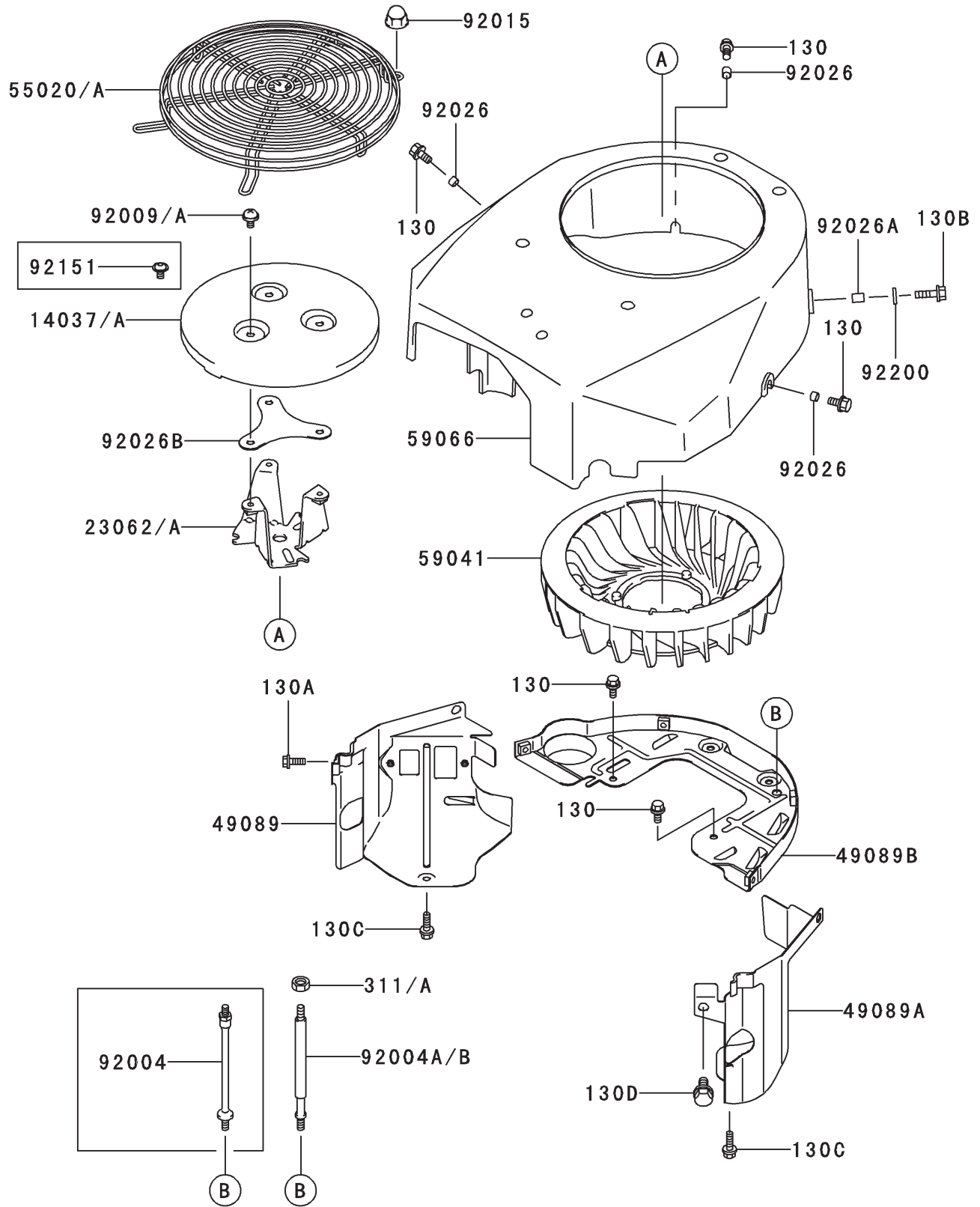


Control Equipment Assembly Kawasaki FH500V-ES10

Ref. No.	Part No.	Qty.	Description	Ref. No.	Part No.	Qty.	Description
1105111	051-7008	1	Bracket				
13107C	13107-7010	1	Shaft				
13271	13271-7018	1	Plate				
16169	16169-7001	1	Link-Choke				
16171	16171-7001	1	Link				
39129	39129-7003	1	Spring-Governor				
39129A	39129-7003	1	Spring-Governor				
49103B	49103-7004	1	Arm-Governor				
49113B	49113-7004	1	Panel-Comp-Control				
92009A	92009-7007	1	Screw				
92145	92145-7003	1	Spring				
92145A	92145-7004	1	Spring				
92145B	92145-7005	1	Spring				
92150	92150-2182	2	Bolt, 5x18				
92153	92153-7005	1	Bolt, 6x35				
92170	92170-7001	2	Clamp				
130	130B0612	2	Bolt-Flanged				
214	214B0408	2	Screw-Pan				
311	311B0600	1	Nut-Hex				
411	411B0600	1	Washer-Plain				

Obtain Parts From Kawasaki

Cooling Equipment Assembly Kawasaki FH500V-ES10



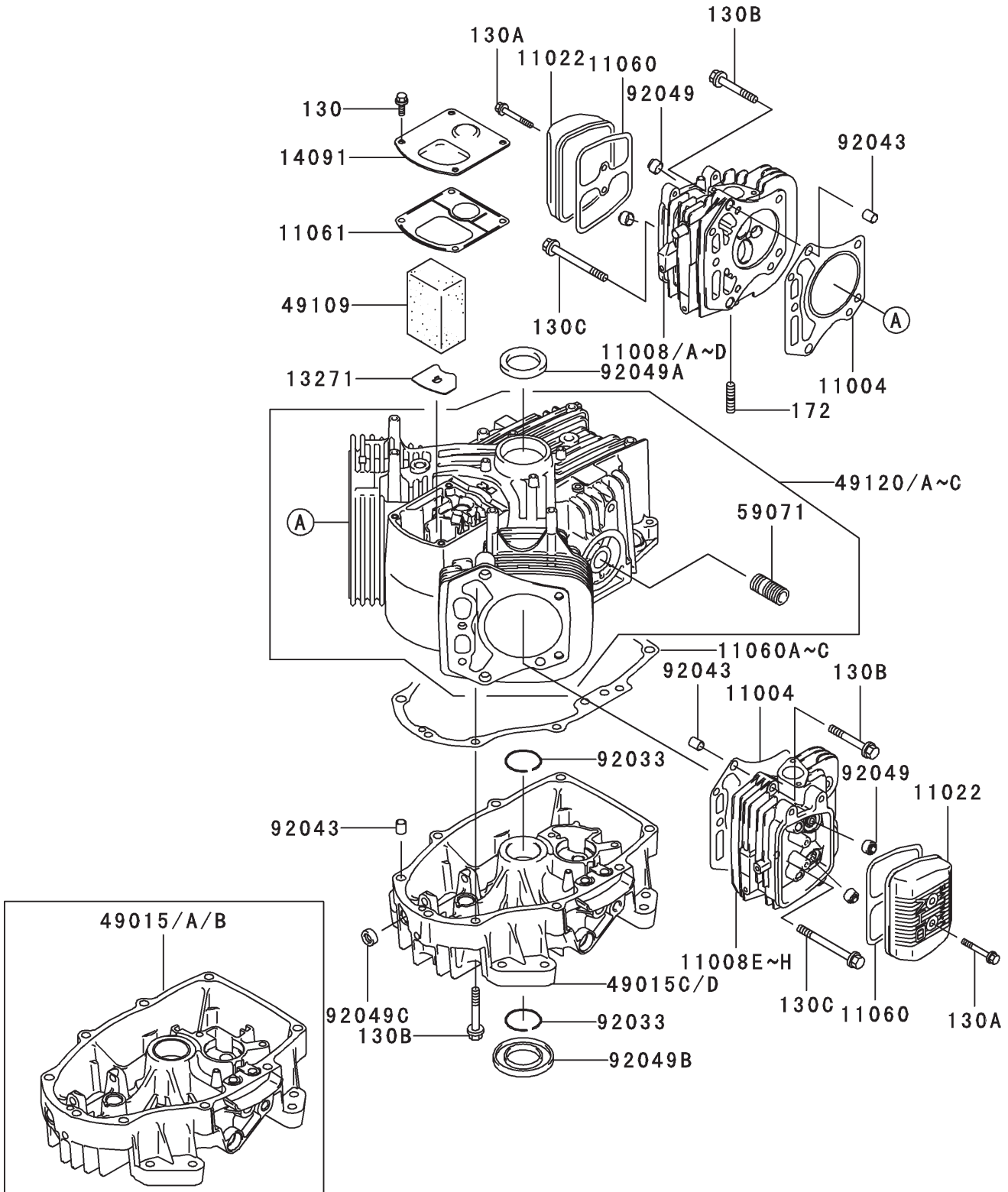
Cooling Equipment Assembly

Kawasaki FH500V-ES10

Ref. No.	Part No.	Qty.	Description	Ref. No.	Part No.	Qty.	Description
1327013	270-7007	1	Plate				
14037	14037-7003-9H	1	Screen				
23062	23062-7008	1	Bracket-Comp				
49089	49089-7001	1	Shroud-Engine				
49089A	49089-7002	1	Shroud-Engine				
49089B	49089-7003	1	Shroud-Engine				
55020	55020-7004	1	Guard				
59041	59041-7001	1	Fan				
59066	59066-7002	1	Housing-Fan				
92004	92004-7006	2	Stud				
92009	92009-7008	3	Screw, 6x10				
92015	92015-1170	4	Nut				
92026	92026-7001	3	Spacer, 6.2x7.9x5				
92026A	92026-7003	1	Spacer, 6.5x7.9x10.5				
92026B	92026-7007	1	Spacer				
92200	92200-2078	1	Washer,				
130	130B0612	5	Bolt-Flanged				
130A	130B0616	2	Bolt-Flanged				
130B	130B0620	1	Bolt-Flanged				
130C	130B0625	2	Bolt-Flanged				
130D	130B0816	1	Bolt-Flanged				
311	311B0600	2	Nut-Hex				

Obtain Parts From Kawasaki

Cylinder/Crankcase Assembly Kawasaki FH500V-ES10



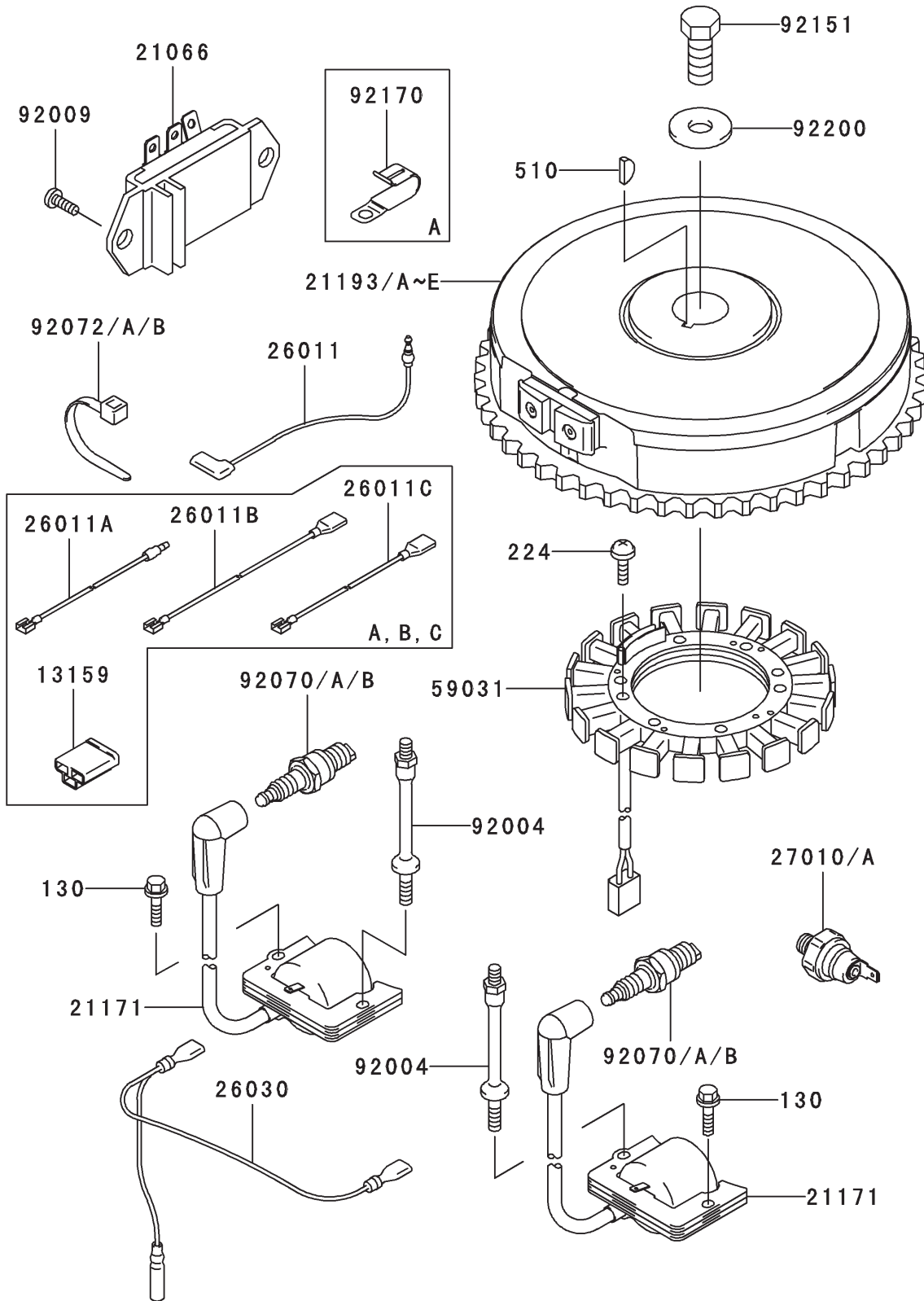
Cylinder/Crankcase Assembly

Kawasaki FH500V-ES10

Ref. No.	Part No.	Qty.	Description	Ref. No.	Part No.	Qty.	Description
11004	11004-7005	2	Gasket-Head				
11008A	11008-6042	1	Head-Comp-Cylinder No. 2				
11008G	11008-7009	1	Head-Comp-Cylinder No. 1				
11022	11022-7003	2	Case-Rocker				
11060	11060-7001	2	Gasket, Rocker Case				
11060B	11060-7007	1	Gasket, Crankcase Cover				
11061	11061-7001	1	Gasket-Breather				
13271	13271-7016	1	Plate				
14090	14090-7001	1	Cover, Breather				
14091	14091-7006	1	Cover				
49015C	49015-6226	1	Cover-Crankcase				
49109	49109-7002	1	Element-Breather				
49120B	49120-6132	1	Crankcase-Comp				
59071	59071-2079	1	Joint				
92033	92033-7003	2	Ring-Snap				
92043	92043-7001	6	Pin				
92049	92049-7001	4	Seal-Oil				
92049A	92049-7002	1	Seal-Oil				
92049B	92049-7004	1	Seal-Oil				
92049C	92049-7005	1	Seal-Oil				
130	130B0612	4	Bolt-Flanged				
130A	130B0640	4	Bolt-Flanged				
130B	130T0850	16	Bolt-Flanged				
130C	130T0875	2	Bolt-Flanged				
172	172G0818	4	Bolt-Stud				

Obtain Parts From Kawasaki

Electric Equipment Assembly Kawasaki FH500V-ES10

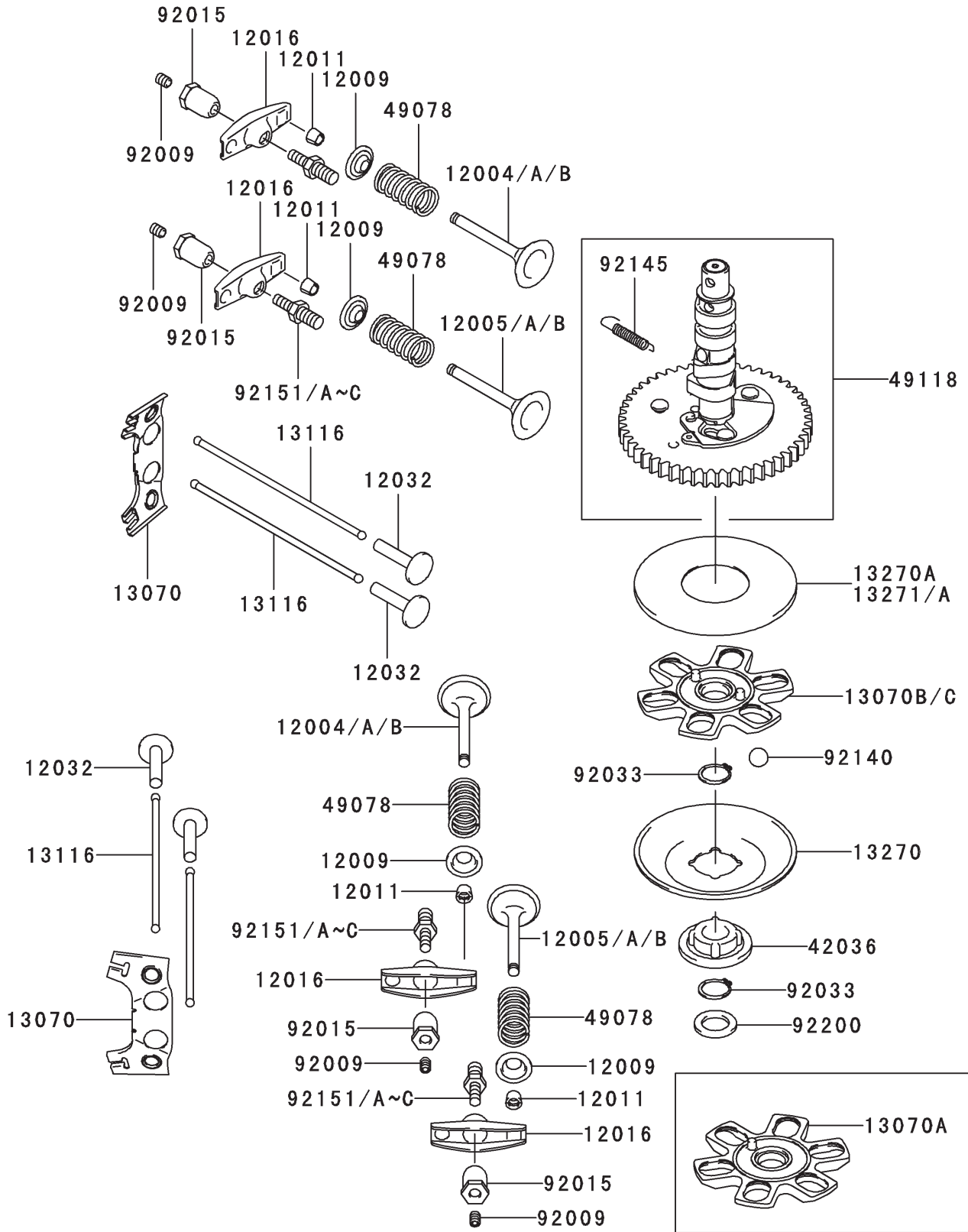


Electric Equipment Assembly Kawasaki FH500V-ES10

Ref. No.	Part No.	Qty.	Description	Ref. No.	Part No.	Qty.	Description
21066	21066-7001	1	Regulator-Voltage				
21171	21171-7001	2	Coil-Assy-Ignition				
21193C	21193-7007	1	Flywheel-Assy				
26011	26011-7001	1	Wire-Lead				
26030	26030-7001	1	Harness				
59031	59031-7001	1	Coil-Charging				
92004	92004-2147	2	Stud				
92009	92009-2308	2	Screw				
92070A	92070-7003	2	Plug-Spark (RCJ8Y)				
92072A	92072-7003	2	Band				
92151	92151-2097	1	Bolt, 12x30				
92200	92220-7002	1	Washer				
130	130B0620	1	Bolt-Flanged				
224	224B0520	4	Screw-Pan-WP-Cros				
510	510A5100	1	Key-Woodruff				

Obtain Parts From Kawasaki

Valve/Camshaft Assembly Kawasaki FH500V-ES10

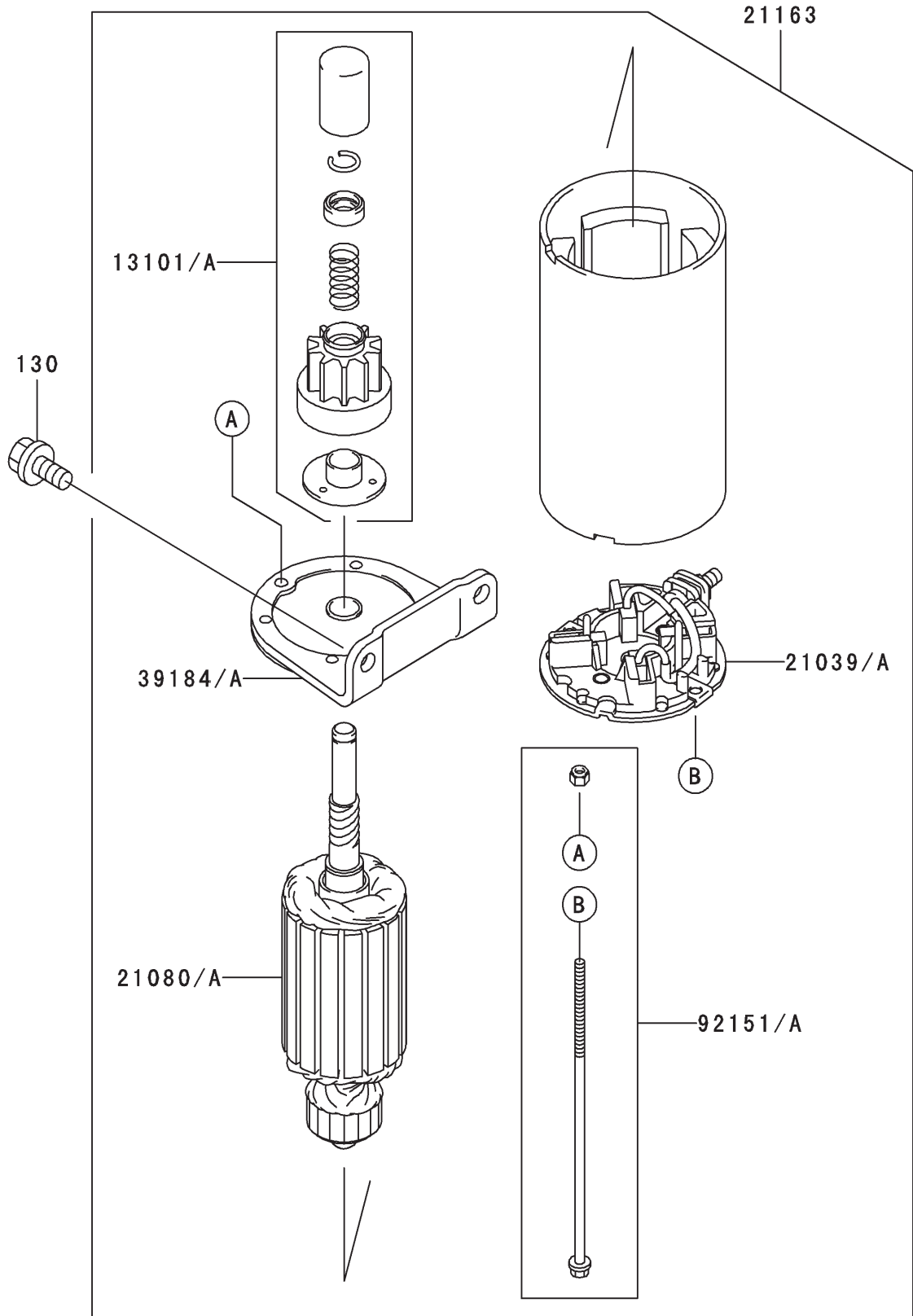


Valve/Camshaft Assembly Kawasaki FH500V-ES10

Ref. No.	Part No.	Qty.	Description	Ref. No.	Part No.	Qty.	Description
12004A	12004-7003	2	Valve-Intake				
12005A	12005-7003	2	Valve-Exhaust				
12009	12009-7001	4	Retainer-Valve Spring				
12011	12011-2056	8	Collet				
12016	12016-7001	4	Arm-Rocker				
12032	12032-7001	4	Tappet				
13070	13070-7001	2	Guide				
13070B	13070-7004	1	Guide				
13116	13116-2057	4	Rod-Push				
13270	13270-7002	1	Plate				
13271	13271-7007	1	Plate				
42036	42036-7001	1	Sleeve				
49078	49078-7001	4	Spring-Engine Valve				
49118	49118-7002	1	Camshaft-Comp				
92009	92009-2341	4	Screw				
92015	92015-2253	4	Nut				
92033	92033-7001	2	Ring-Snap				
92140	92140-7002	6	Ball				
92145	92145-7001	1	Spring				
92151B	92151-7019	4	Bolt				
92200	92200-7001	1	Washer				

Obtain Parts From Kawasaki

Starter Assembly Kawasaki FH500V-ES10



Starter Assembly Kawasaki FH500V-ES10

Ref. No.	Part No.	Qty.	Description	Ref. No.	Part No.	Qty.	Description
13101	13101-7001	1	Gear ASM				
21039	21039-7001	1	Brush				
21080	21080-7001	1	Armature				
21163	21163-7001	1	Starter-Electric				
39184	39184-7001	1	Bracket ASM				
92151	92151-7013	1	Bolt				
130	130B0816	2	Bolt-Flanged				

Obtain Parts From Kawasaki

