



Z150

Z Master[®] with 52in SFS Side Discharge Mower

Model No. 74178—230006001 and Up

Parts Catalog

Ordering Replacement Parts

To order replacement parts, please supply: the part number, the quantity, and the description of each part desired.

Understanding Reference Numbers

Each identified part in an illustration has a reference number. The reference number for a part also appears in the parts list, along with other information about the part.

This catalog uses two special reference number formats, one to indicate parts in a service assembly and another to indicate the quantity of a given part in an illustration.

Service Assembly Reference Numbers

Parts in service assemblies have reference numbers in the form **a:b**. The **a** represents the reference number of the entire service assembly and the **b** represents a sequential number unique to each part within the service assembly.

For example, a wheel assembly might be identified by reference number **6**, the tire by **6:1**, the valve by **6:2**, and the wheel by **6:3**. When you order the assembly identified by reference number **6**, you receive all parts identified by reference numbers **6:1**, **6:2**, and **6:3**. However, you may also order any part individually.

Reference numbers of this type appear in illustrations and in part lists.

Reference Numbers Indicating Quantity

In an illustration, if a reference number indicates more than one part, the reference number has the form **nX y**. The **n** represents the quantity of the part, the **X** is the multiplication symbol, and the **y** represents the reference number.

For example, in an illustration, the reference number **2X 37** means that two of the parts identified by reference number **37** are indicated.

Contents

| Description | Page | Description | Page |
|--|------|--------------------------------|------|
| Front Frame Assembly | 4 | Crankcase Assembly | |
| Caster Wheel Assembly No. 1-634662 | 5 | Kohler CV20S PRO 65593 | 24 |
| Front Spring Assembly No. 103-1987 | 6 | Oil Pan/Lubrication Assembly | |
| Height of Cut Assembly | 7 | Kohler CV20S PRO 65593 | 26 |
| Main Frame Assembly | 8 | Head/Valve/Breather Assembly | |
| Seat Assembly No. 1-633705 | 9 | Kohler CV20S PRO 65593 | 27 |
| Fuel System Assembly | 10 | Ignition/Electrical Assembly | |
| Parking Brake System Assembly | 11 | Kohler CV20S PRO 65593 | 29 |
| Motion Control System Assembly | 12 | Blower Assembly | |
| Hydraulic System Assembly | 13 | Kohler CV20S PRO 65593 | 30 |
| Pump, Idler and Belt Assembly | 15 | Starter Assembly | |
| Engine and Clutch Assembly | 16 | Kohler CV20S PRO 65593 | 31 |
| Deck and Wheel Gage Assembly | 17 | Fuel System Assembly | |
| Deck Assembly No. 106-5876 | 18 | Kohler CV20S PRO 65593 | 32 |
| Deck Spindle Assembly | 19 | Engine Control Assembly | |
| Idler, Pulley/Lift Strut, Chain Assembly | 20 | Kohler CV20S PRO 65593 | 33 |
| Electrical System Assembly | 21 | Air Intake/Filtration Assembly | |
| Electrical Schematic | 22 | Kohler CV20S PRO 65593 | 34 |
| Crankshaft Assembly | | Exhaust Assembly | |
| Kohler CV20S PRO 65593 | 23 | Kohler CV20S PRO 65593 | 35 |

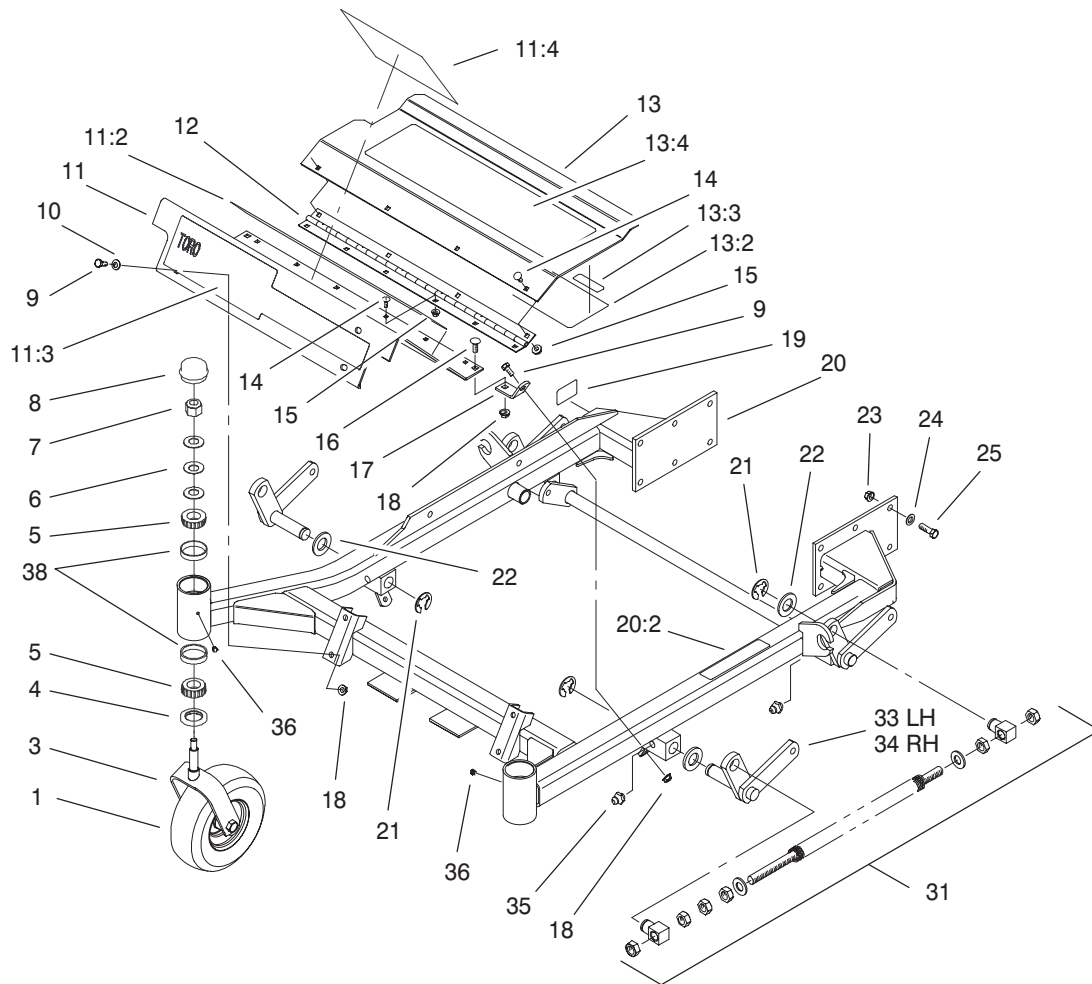
Accessories

| Description | Model / Part No. | Description | Model / Part No. |
|--|------------------|--|------------------|
| Recycler Kit | 59225 | Z-Stand Kit | 105-1621 |
| Mulching Kit | 59227 | Hitch Kit | 99-8924 |
| High Sail Blades | | DFS Bagger | 78490 |
| (3 required for improved bagging) ... | 56-2390-03 | Boot and Tube Kit (For DFS Bagger) | 78493 |
| Atomic Blades | | Twin Bagger Kit | 78455 |
| (3 required for improved mulching) | 104-1301 | Twin Bagger Finishing Kit | 78497 |
| Steel Bagger | 30107 | Filter Minder | 99-4664 |
| Striping Kit | 30121 | ROPS | TORO Dealer |
| High Suspension Seat | 99-8522 | | |

Part Description Abbreviations

Part descriptions in this catalog may include the following abbreviations.

| Abbreviation | Meaning | Abbreviation | Meaning |
|---------------------|-----------------------------------|---------------------|-------------------------|
| AR | as required | HYD | hydraulic |
| ASM | assembly | INC | incorporated |
| CARR | carriage | LH | left hand |
| DEG | degrees | NI | nylon insert |
| FH | flat head | PPH | Phillips pan head |
| GA | gauge | PTH | Phillips truss head |
| HF | hex flange | PTO | power take off |
| HH | hex head | RH | right hand |
| HHF | hex head flange | SFH | slotted fillister head |
| HLH | hex lag head | SHH | slotted hex head |
| HJ | hex jam | SQH | square head |
| HOC | height-of-cut | SHWH | slotted hex washer head |
| HS | hex socket | SPH | slotted pan head |
| HSBH | hex socket button head | SRH | slotted round head |
| HSFH | hex socket flat head | STD | standard |
| HSH | hex socket head | TAP | self tapping |
| HWH | hex washer head | TTH | Torx truss head |
| HWHTF | hex washer head thread forming | WH | wing head |

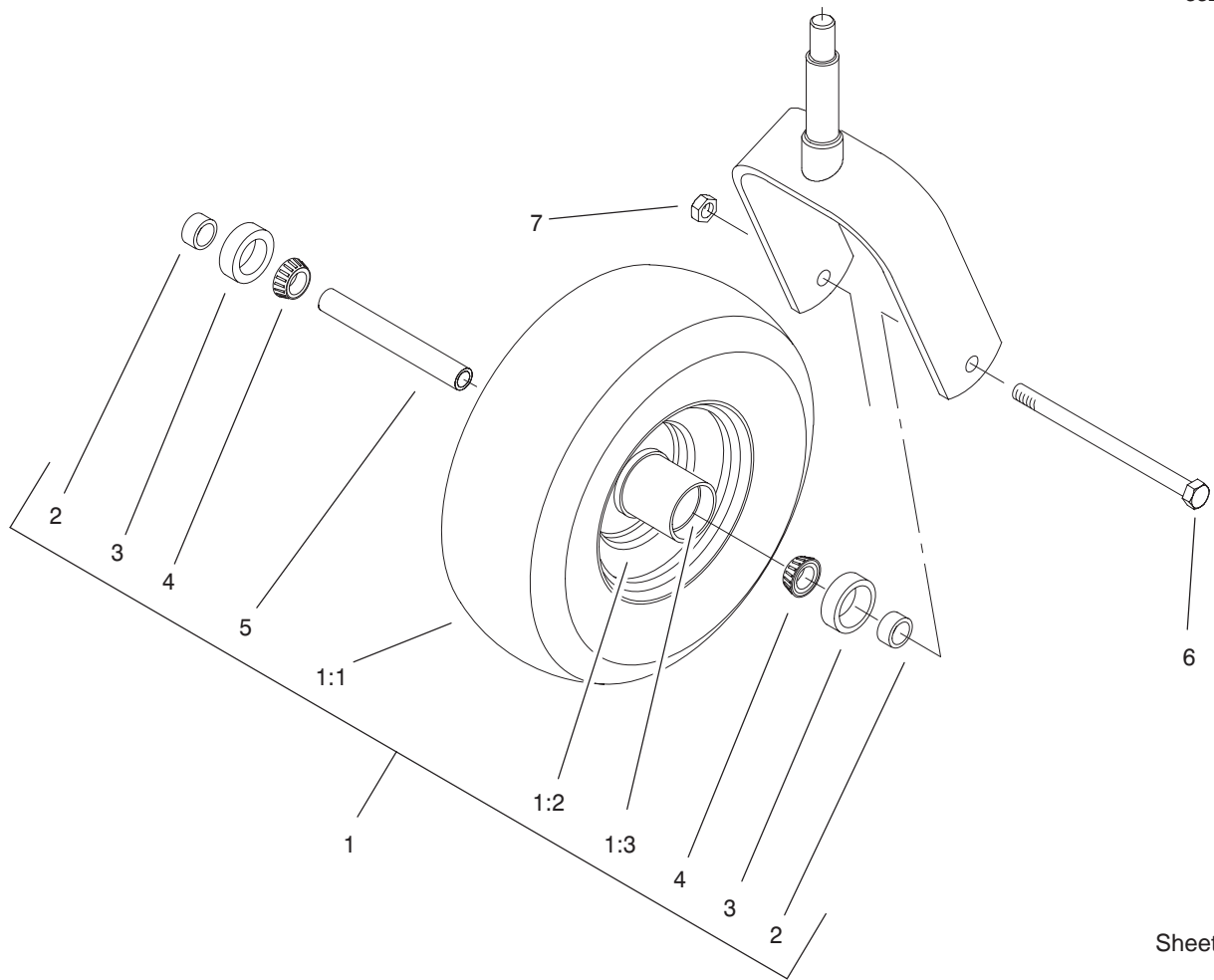


Sheet No.:2

Front Frame Assembly

| Ref. No. | Part No. | Qty. | Description |
|----------|-------------|------|--------------------------|
| 1 | 1-634662 | 2 | Caster Wheel ASM |
| 3 | 1-632511-01 | 2 | Caster |
| 4 | 1-543511 | 2 | Seal-Grease |
| 5 | 254-94 | 4 | Bearing-Cone, Taper |
| 6 | 1-633508 | 6 | Washer-Bellville |
| 7 | 3296-51 | 2 | Nut-Lock, NI |
| 8 | 1-543513 | 2 | Cap-Grease |
| 9 | 322-3 | 6 | Screw-HH |
| 10 | 3256-23 | 4 | Washer-Flat |
| 11 | 106-6588 | 1 | Floorpan W/Decals ASM |
| 11:2 | 1-633553 | 1 | Pad-Antiskid |
| 11:3 | 1-633737 | 1 | Decal-Z Master |
| 11:4 | 106-6571 | 1 | Decal - Danger, Slope |
| 12 | 1-653049 | 1 | Hinge-Floorpan |
| 13 | 99-3930 | 1 | Footrest ASM |
| 13:2 | 99-3924 | 1 | Decal-Service |
| 13:3 | 98-5954 | 1 | Decal-Missing, Cover |
| 13:4 | 1-633553 | 1 | Pad-Antiskid |
| 14 | 3229-10 | 10 | Screw-CARR |
| 15 | 32128-33 | 10 | Nut-HF |
| 16 | 3230-1 | 2 | Bolt-CARR |
| 17 | 99-3870-01 | 2 | Bracket-Floorpan |
| 18 | 32128-20 | 8 | Nut-HF |
| 19 | 105-2625 | 1 | Decal-Safety STD |
| 20 | 99-3931 | 1 | Front Frame ASM |

| Ref. No. | Part No. | Qty. | Description |
|----------|------------|------|----------------------|
| 20:2 | 1-633818 | 1 | Decal-Warning |
| 21 | 32151-103 | 6 | Ring-Snap |
| 22 | 3256-29 | 6 | Washer-Flat |
| 23 | 3290-357 | 12 | Nut-HHF |
| 24 | 98-5975 | 12 | Washer-Belleville |
| 25 | 323-7 | 12 | Screw-HH |
| 31 | 103-1987 | 2 | Front Spring ASM |
| 33 | 99-3871-01 | 1 | LH Lift Arm ASM |
| 34 | 99-3872-01 | 1 | RH Lift Arm ASM |
| 35 | 302-19 | 4 | Fitting-Grease |
| 36 | 1-811010 | 2 | Plug |
| 38 | 254-72 | 4 | Bearing-Cup, Tapered |

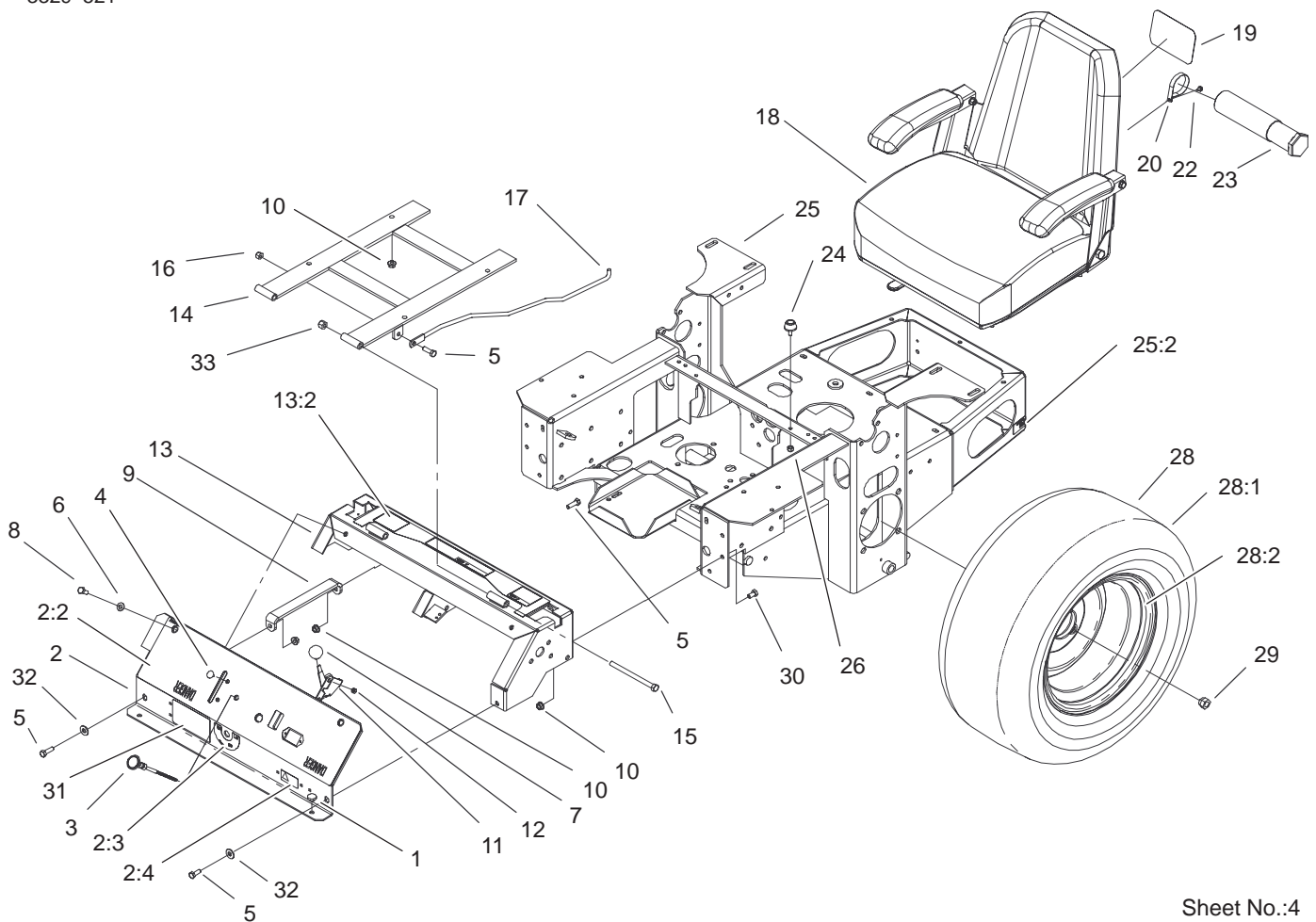


Sheet No.:A1
C-3038

Caster Wheel Assembly No. 1-634662

| Ref. No. | Part No. | Qty. | Description |
|----------|----------|------|----------------------|
| 1 | 1-633582 | 1 | Wheel And Tire ASM |
| 1:1 | 1-633002 | 1 | Tire |
| 1:2 | 1-633583 | 1 | Wheel |
| 1:3 | 1-633584 | 2 | Bearing-Cup |
| 2 | 1-633581 | 2 | Spacer-Bearing |
| 3 | 1-633580 | 2 | Seal-Bearing |
| 4 | 1-633585 | 2 | Bearing-Cone, Taper |
| 5 | 1-633579 | 1 | Spacer-Caster, Front |
| 6 | 325-36 | 1 | Screw-HH |
| 7 | 3296-45 | 1 | Nut-Lock, NI |

| Ref. No. | Part No. | Qty. | Description |
|----------|----------|------|-------------|
| | | | |
| | | | |
| | | | |
| | | | |
| | | | |
| | | | |
| | | | |
| | | | |
| | | | |
| | | | |

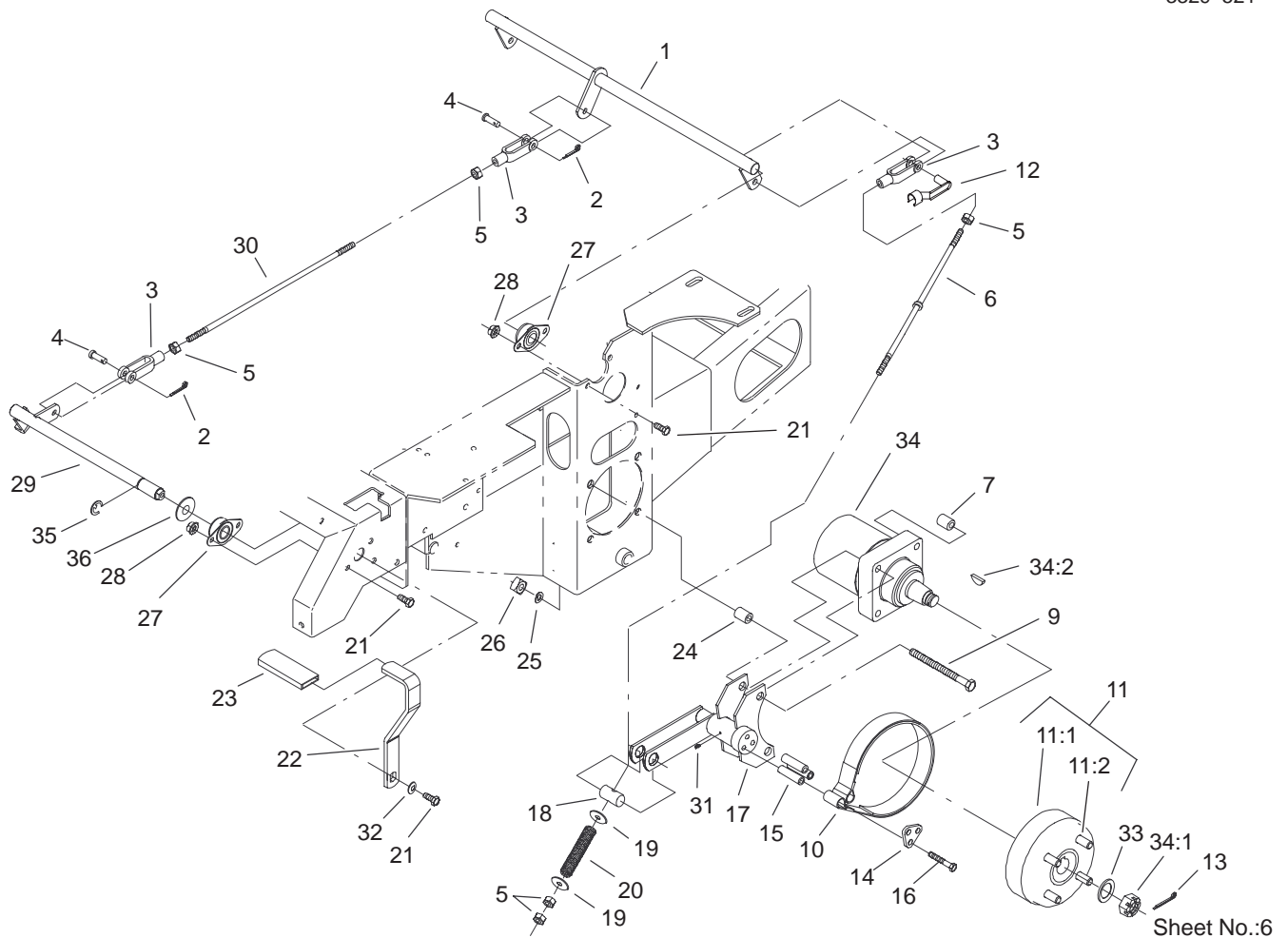


Sheet No.:4

Main Frame Assembly

| Ref. No. | Part No. | Qty. | Description |
|----------|-------------|------|-----------------------|
| 1 | 1-513658 | 2 | Bumper-Catcher, Grass |
| 2 | 106-6589 | 1 | Console W/ Decals |
| 2:2 | 106-6586 | 1 | Decal-Control Panel |
| 2:3 | 103-0262 | 1 | Decal-Valve, Fuel |
| 2:4 | 98-4387 | 1 | Decal-Protection, Ear |
| 3 | 103-3085 | 1 | Control-Choke |
| 4 | 1-807513 | 2 | Bolt-CARR |
| 5 | 322-5 | 3 | Screw-HH |
| 6 | 3256-23 | 2 | Washer-Flat |
| 7 | 1-513592 | 1 | Knob-Ball |
| 8 | 322-3 | 3 | Screw-HH |
| 9 | 1-653089-03 | 1 | Bracket |
| 10 | 32128-20 | 12 | Nut-HF |
| 11 | 103-3086 | 1 | Control-Throttle |
| 12 | 3296-2 | 2 | Nut-Lock |
| 13 | 105-6123 | 1 | Console ASM |
| 13:2 | 103-1997 | 1 | Decal-Console, Top |
| 14 | 1-632187-03 | 1 | Frame-Seat |
| 15 | 323-39 | 2 | Screw-HH |
| 16 | 3296-29 | 1 | Nut-Lock, NI |
| 17 | 103-1731 | 1 | Rod-Retainer, Seat |
| 18 | 1-633705 | 1 | Seat ASM |
| 19 | 99-4693 | 1 | Decal-Toro |
| 20 | 2412-120 | 2 | R-Clamp |
| 22 | 32104-76 | 2 | Screw |

| Ref. No. | Part No. | Qty. | Description |
|----------|----------|------|--------------------|
| 23 | 74-0720 | 1 | Tube-Manual |
| 24 | 1-523420 | 2 | Bumper |
| 25 | 105-3649 | 1 | Main Frame ASM |
| 25:2 | 65-2690 | 2 | Decal-Surface, Hot |
| 26 | 3296-42 | 2 | Nut-Lock, NI |
| 28 | 1-653159 | 2 | Wheel And Tire ASM |
| 28:1 | 1-653160 | 1 | Tire |
| 28:2 | 1-653161 | 1 | Wheel |
| 29 | 242-50 | 8 | Nut-Lug |
| 30 | 322-2 | 6 | Screw-HH |
| 31 | 99-4604 | 1 | Decal-Z150 |
| 32 | 3256-3 | 2 | Washer-Flat |
| 33 | 3296-39 | 2 | Nut-Lock, NI |

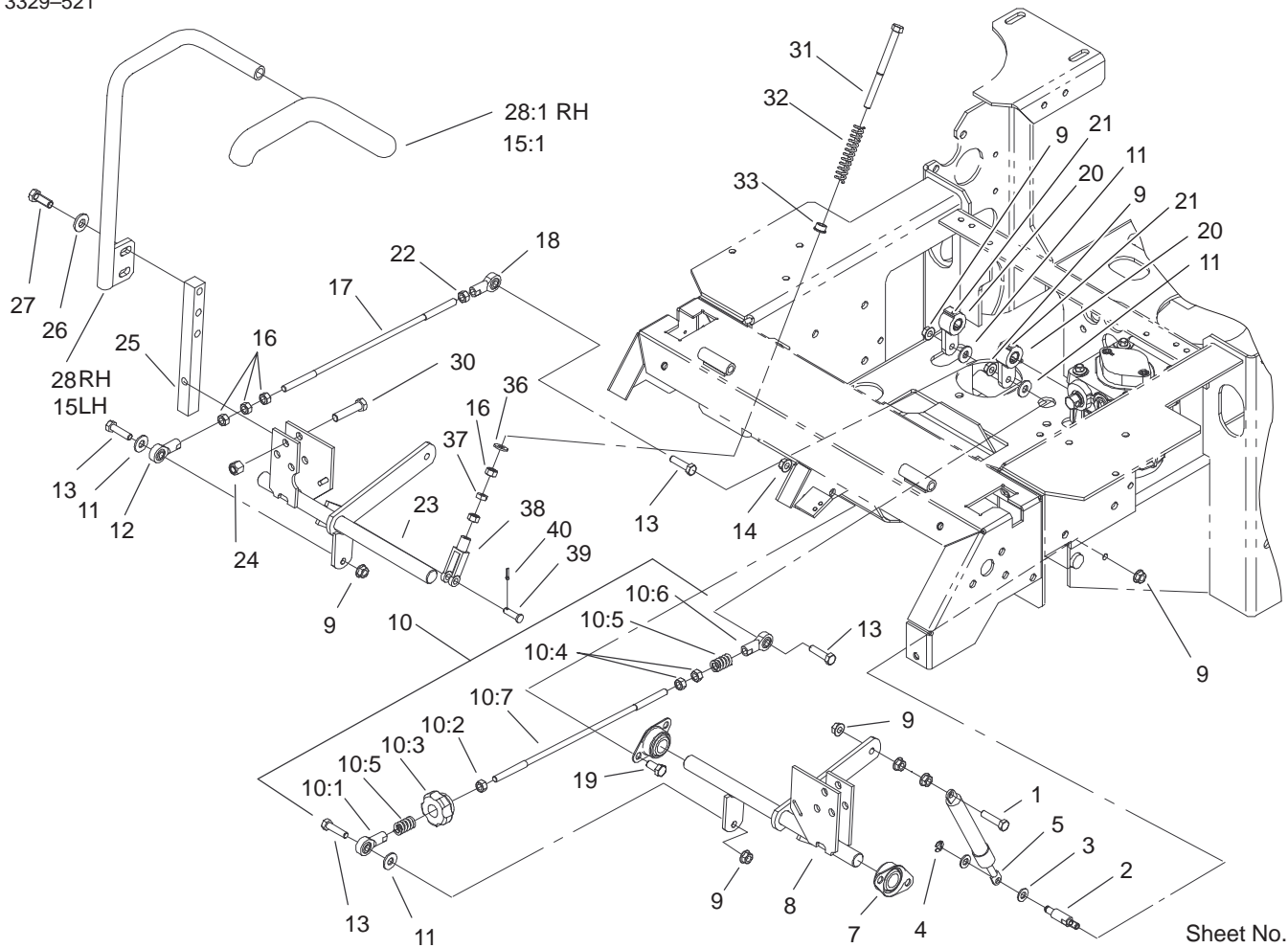


Sheet No.:6

Parking Brake System Assembly

| Ref. No. | Part No. | Qty. | Description | Ref. No. | Part No. | Qty. | Description |
|----------|-------------|------|----------------------|----------|----------|------|-----------------------|
| 1 | 1-652073-03 | 1 | Crank-Brake, Park | 26 | 103-0131 | 8 | Nut-Square |
| 2 | 3272-10 | 2 | Pin-Cotter | 27 | 1-633102 | 4 | Bearing-Flange, Side |
| 3 | 1-633131 | 4 | Yoke-Linkage, Brake | 28 | 3290-357 | 8 | Nut-HHF |
| 4 | 1-808285 | 2 | Pin-Clevis | 29 | 103-3116 | 1 | Shaft-Brake, Parking |
| 5 | 3219-3 | 8 | Nut-HH | 30 | 1-653061 | 1 | Linkage-Handle, Brake |
| 6 | 103-0356 | 2 | Rod-Brake | 31 | 1481 | 2 | Fitting-Grease |
| 7 | 1-653068 | 4 | Spacer-Wheel | 32 | 98-5975 | 1 | Washer-Belleville |
| 9 | 325-13 | 8 | Screw-HH | 33 | 1-523157 | 2 | Washer-Spacer |
| 10 | 103-0355 | 2 | Band-Brake | 34 | 1-523328 | 2 | Motor-Wheel |
| 11 | 103-0590 | 2 | Hub-Wheel | 34:1 | 1-809036 | 1 | Nut-HH |
| 11:1 | 103-0589 | 1 | Hub-Wheel | 34:2 | 3257-42 | 1 | Key-Woodruff |
| 11:2 | 1-633926 | 4 | Stud-Wheel | *34:99 | 1-000099 | 1 | Seal Kit |
| 12 | 103-2399 | 2 | Pin-Spring, Clevis | *34:99 | 1-000139 | 1 | Bearing Kit |
| 13 | 1-806800 | 2 | Pin-Cotter | *34:99 | 103-2748 | 1 | Drive Link Kit |
| 14 | 103-0374 | 2 | Retainer-Band, Brake | 35 | 32151-48 | 1 | E-Ring |
| 15 | 103-0384 | 6 | Spacer | 36 | 3256-28 | 1 | Washer-Flat |
| 16 | 322-9 | 6 | Screw-HH | | | | |
| 17 | 103-0352-03 | 2 | Bracket-Brake | | | | |
| 18 | 1-633144 | 2 | Pin-Trunion | | | | |
| 19 | 3256-4 | 4 | Washer-Flat | | | | |
| 20 | 1-633454 | 2 | Spring-Brake | | | | |
| 21 | 323-4 | 9 | Screw-HH | | | | |
| 22 | 1-653074-03 | 1 | Handle-Brake, Park | | | | |
| 23 | 1-633268 | 1 | Grip-Lever, Brake | | | | |
| 24 | 1-653069 | 4 | Spacer-Wheel | | | | |
| 25 | 3253-7 | 8 | Washer-Lock | | | | |

* Not illustrated

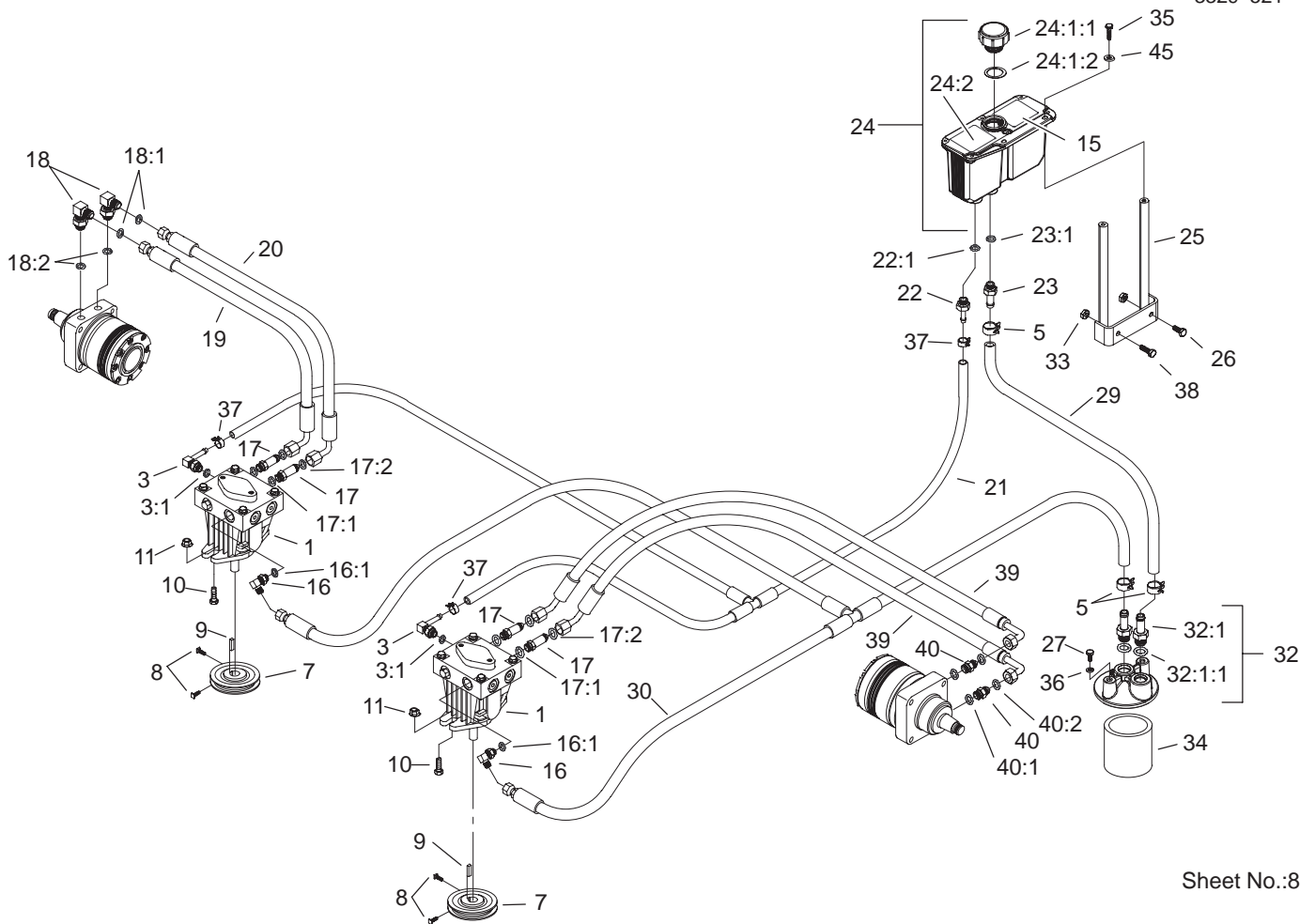


Sheet No.:7

Motion Control System Assembly

| Ref. No. | Part No. | Qty. | Description |
|----------|----------|------|------------------------|
| 1 | 1-403180 | 2 | Screw-HH |
| 2 | 1-653316 | 2 | Pin-Damper |
| 3 | 3256-23 | 4 | Washer-Flat |
| 4 | 32120-35 | 2 | E-Ring |
| 5 | 103-2913 | 2 | Damper-Control, Motion |
| 7 | 1-633102 | 4 | Bearing-Flange, Side |
| 8 | 103-2199 | 1 | LH Motion Control ASM |
| 9 | 32128-20 | 12 | Nut-HF |
| 10 | 103-3063 | 1 | Tracking Rod ASM |
| 10:1 | 1-543017 | 1 | Balljoint-RH |
| 10:2 | 3219-2 | 1 | Nut-Hex |
| 10:3 | 103-3060 | 1 | Knob-Tracking |
| 10:4 | 1-804524 | 2 | Nut |
| 10:5 | 1-323245 | 2 | Spring-Compression |
| 10:6 | 1-633152 | 1 | Balljoint-Thread, LH |
| 10:7 | 103-3066 | 1 | Link-Rod, Tracking |
| 11 | 3256-3 | 4 | Washer-Flat |
| 12 | 1-543017 | 1 | Balljoint-RH |
| 13 | 322-6 | 4 | Screw-HH |
| 14 | 3290-357 | 8 | Nut-HHF |
| 15 | 103-0631 | 1 | LH Lever ASM |
| 15:1 | 1-633257 | 1 | Grip-Control, Motion |
| 16 | 3219-2 | 7 | Nut-Hex |
| 17 | 103-3066 | 1 | Link-Rod, Tracking |

| Ref. No. | Part No. | Qty. | Description |
|----------|----------|------|------------------------|
| 18 | 1-633152 | 1 | Balljoint-Thread, LH |
| 19 | 323-4 | 8 | Screw-HH |
| 20 | 103-3717 | 2 | Arm, Pump Control |
| 21 | 1-803022 | 2 | Screw-Set |
| 22 | 1-804524 | 1 | Nut |
| 23 | 103-2200 | 1 | RH Motion Control ASM |
| 24 | 3296-39 | 6 | Nut-Lock, NI |
| 25 | 103-0407 | 2 | Arm-Shaft, Control |
| 26 | 98-5975 | 4 | Washer-Belleville |
| 27 | 323-6 | 4 | Screw-HH |
| 28 | 103-0632 | 1 | RH Lever ASM |
| 28:1 | 1-633257 | 1 | Grip-Control, Motion |
| 30 | 323-9 | 6 | Screw-HH |
| 31 | 1-603737 | 2 | Bolt-Return, Neutral |
| 32 | 1-603807 | 2 | Spring-Return, Neutral |
| 33 | 1-603735 | 2 | Bushing-Flanged |
| 36 | 3256-2 | 2 | Washer-Flat |
| 37 | 3220-2 | 2 | Nut |
| 38 | 1-303105 | 2 | Yoke-Adjustable |
| 39 | 1-808280 | 2 | Pin-Clevis |
| 40 | 3272-5 | 2 | Pin-Cotter |



Sheet No.:8

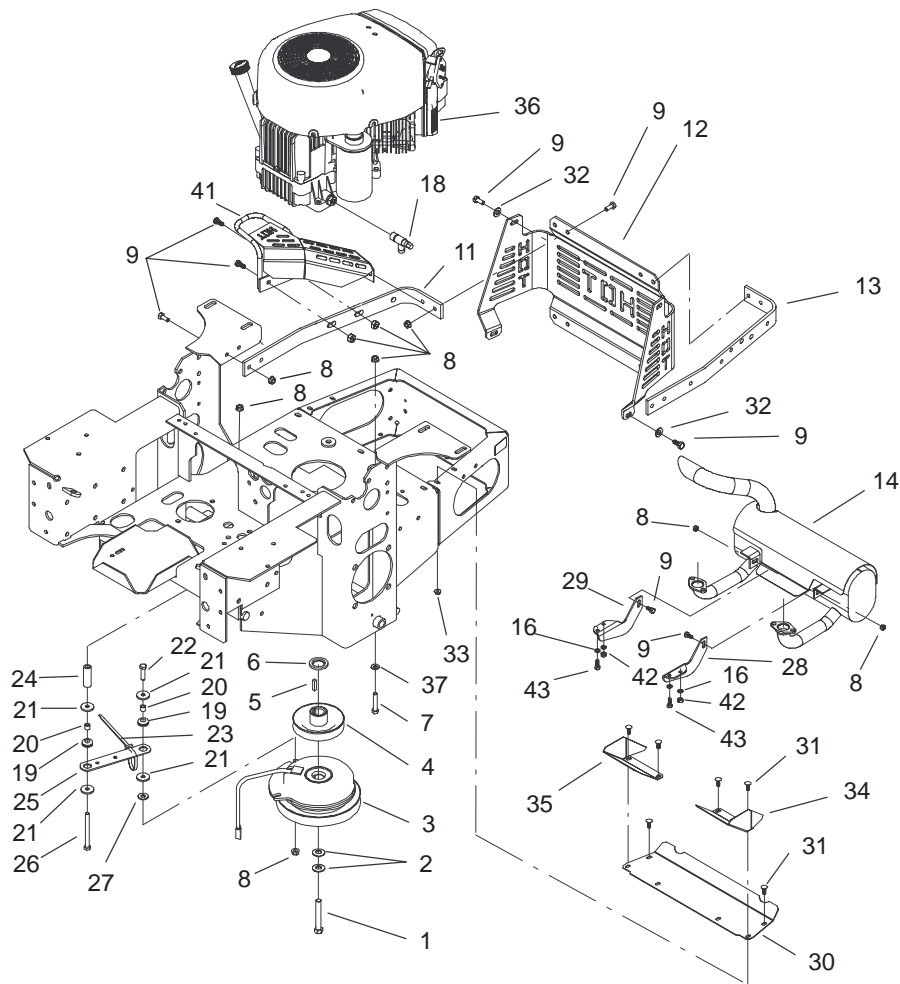
Hydraulic System Assembly

| Ref. No. | Part No. | Qty. | Description |
|----------|----------|------|-----------------------|
| 1 | 103-1942 | 2 | Pump-Hydraulic |
| *1:1 | 105-6184 | 1 | Seal Overhaul Kit |
| *1:2 | 105-6185 | 1 | Plate-Valve |
| *1:8 | 103-2664 | 1 | Input Shaft Kit |
| *1:9 | 94-6922 | 1 | Bearing-Thrust |
| *1:10 | 103-2666 | 1 | Cylinder Block Kit |
| *1:14 | 106-2053 | 1 | Shock Valve Kit |
| 3 | 103-1799 | 2 | Elbow-90° |
| 3:1 | 237-42 | 1 | O-Ring |
| 5 | 103-1988 | 3 | Clamp-Hose |
| 7 | 1-653156 | 2 | Sheave |
| 8 | 1-803050 | 4 | Screw-Set |
| 9 | 1-807272 | 2 | Key |
| 10 | 323-7 | 4 | Screw-HH |
| 11 | 3290-357 | 4 | Nut-HHF |
| 15 | 103-2644 | 1 | Decal-Exhaust |
| 16 | 103-1802 | 2 | Fitting-HYD, 90° |
| 16:1 | 237-42 | 1 | O-Ring |
| 17 | 103-1940 | 4 | Adapter-HYD, Straight |
| 17:1 | 237-79 | 1 | O-Ring |
| 17:2 | 1-603992 | 1 | O-Ring |
| 18 | 1-633605 | 2 | Fitting-HYD, 90° |
| 18:1 | 1-603992 | 1 | O-Ring |
| 18:2 | 237-80 | 1 | O-Ring |
| 19 | 1-653186 | 1 | Hose-Front |
| 20 | 1-653187 | 1 | Hose-RH, Rear |

| Ref. No. | Part No. | Qty. | Description |
|----------|-------------|------|--------------------|
| 21 | 103-2357 | 1 | HYD Hose ASM |
| 22 | 103-1801 | 1 | Adapter-Straight |
| 22:1 | 237-42 | 1 | O-Ring |
| 23 | 103-1912 | 1 | Adapter-Straight |
| 23:1 | 237-42 | 1 | O-Ring |
| 24 | 103-1947 | 1 | HYD Reservoir ASM |
| ☆24:1 | | 1 | Reservoir-HYD |
| 24:1:1 | 103-1948 | 1 | Cap-Reservoir, HYD |
| 24:1:2 | 103-1949 | 1 | Gasket-Cap |
| 24:2 | 1-523552 | 1 | Decal-Tank, HYD |
| 25 | 103-3071-03 | 1 | Stand-Reservoir |
| 26 | 322-3 | 1 | Screw-HH |
| 27 | 321-3 | 2 | Screw-HH |
| 29 | 103-3077 | 1 | HYD Hose ASM |
| 30 | 103-2930 | 1 | HYD Hose ASM |
| 32 | 103-2889 | 1 | Filter Head ASM |
| 32:1 | 103-1912 | 2 | Adapter-Straight |
| 32:1:1 | 237-42 | 1 | O-Ring |
| 33 | 32128-20 | 2 | Nut-HF |
| 34 | 1-633750 | 1 | Filter-HYD |
| 34 | 1-633752 | 1 | Filter-HYD, Winter |
| 35 | 321-6 | 2 | Screw-HH |
| 36 | 1-805004 | 2 | Washer-Lock |
| 37 | 103-1716 | 3 | Clamp-Hose |
| 38 | 322-5 | 1 | Screw-HH |
| 39 | 103-3809 | 2 | Hose,LH 44/48 |

* Not illustrated

☆ Not serviced separately



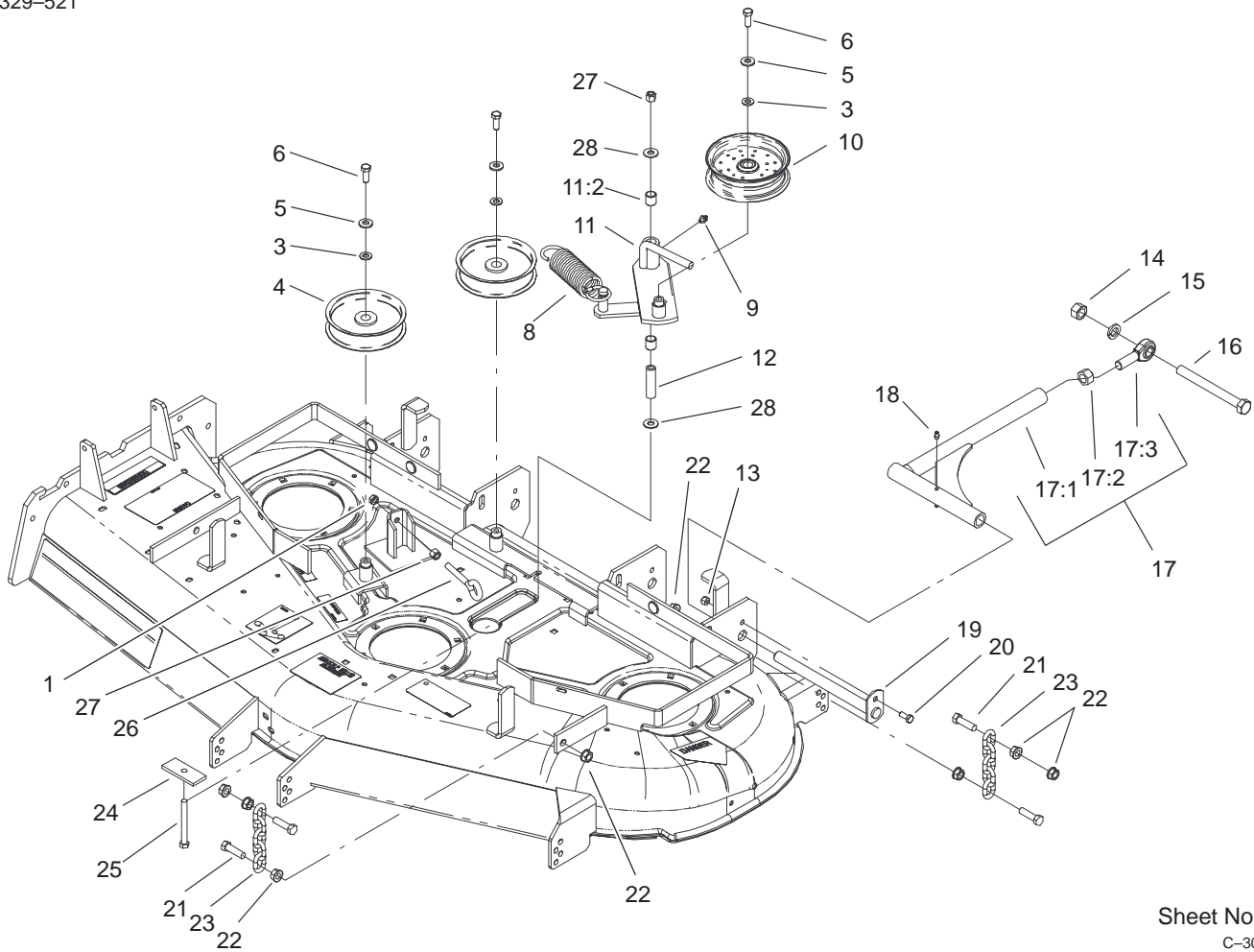
Sheet No.:10

Engine and Clutch Assembly

| Ref. No. | Part No. | Qty. | Description |
|----------|-------------|------|---------------------------|
| 1 | 3212-10 | 1 | Screw-HH |
| 2 | 1-603610 | 2 | Washer-Spring |
| 3 | 103-0690 | 1 | Clutch |
| 4 | 1-653035 | 1 | Sheave W/Hub |
| 5 | 1-807259 | 1 | Key |
| 6 | 103-2308 | 1 | Spacer-Crankshaft |
| 7 | 322-9 | 4 | Screw-HH |
| 8 | 32128-20 | 33 | Nut-HF |
| 9 | 322-3 | 23 | Screw-HH |
| 11 | 103-3078-03 | 1 | Strap-Guard, Engine RH |
| 12 | 103-3219-03 | 1 | Guard-Rear |
| 13 | 103-3164-03 | 1 | Strap-Guard, Engine LH |
| 14 | 103-2760 | 1 | Muffler |
| 16 | 1-805004 | 4 | Washer-Lock |
| 18 | 103-1963 | 1 | Valve-Drain, Oil |
| 19 | 1-633630 | 2 | Grommet-Brake |
| 20 | 1-633545 | 2 | Spacer-Grommet |
| 21 | 1-613235 | 4 | Washer |
| 22 | 322-6 | 1 | Screw-HH |
| 23 | 1-303335 | 2 | Tie-Plastic |
| 24 | 103-2614 | 1 | Spacer |
| 25 | 1-633543-03 | 1 | Strap-Clutch, Brake |
| 26 | 322-22 | 1 | Screw-HH |
| 27 | 3256-3 | 3 | Washer-Flat |

| Ref. No. | Part No. | Qty. | Description |
|----------|-------------|------|-----------------------------------|
| 28 | 103-2987-03 | 1 | Bracket-Muffler, LH |
| 29 | 103-2988-03 | 1 | Bracket-Muffler, RH |
| 30 | 103-2740-03 | 1 | Deflector-Short |
| 31 | 3229-10 | 6 | Screw-CARR |
| 32 | 3256-23 | 4 | Washer-Flat |
| 33 | 32128-33 | 6 | Nut-HF |
| 34 | 103-3094-03 | 1 | Deflector-Air, LH |
| 35 | 103-3095-03 | 1 | Deflector-Air, RH |
| ★36 | | 1 | Engine-Kohler, Cv20s Pro-65593 |
| 37 | 1-303334 | 2 | Washer-Spring |
| 41 | 103-3218-03 | 1 | Guard-Tailpipe |
| 42 | 33013-00 | 2 | Nut-Hex |
| 43 | 33113-020 | 2 | Screw-HH |

★ Not serviced separately

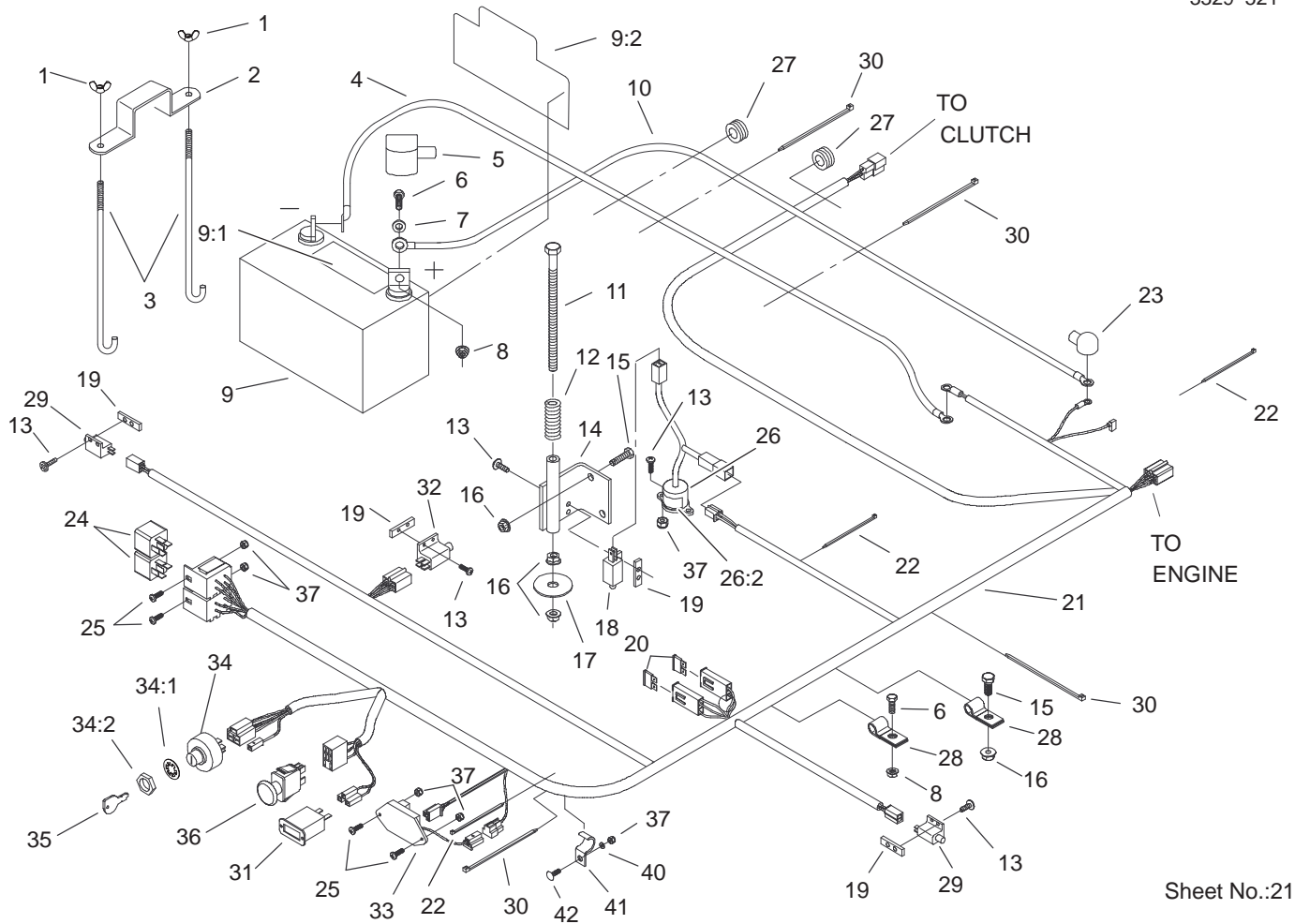


Sheet No.:16
C-3040

Idler, Pulley/Lift Strut, Chain Assembly

| Ref. No. | Part No. | Qty. | Description |
|----------|-------------|------|----------------------|
| 1 | 3217-7 | 1 | Nut-Hex |
| 3 | 3256-24 | 3 | Washer-Flat |
| 4 | 1-613098 | 2 | Pulley-Idler |
| 5 | 98-5975 | 3 | Washer-Belleville |
| 6 | 323-6 | 3 | Screw-HH |
| 8 | 103-3330 | 1 | Spring-Extension |
| 9 | 302-40 | 1 | Fitting-Grease |
| 10 | 1-413099 | 1 | Pulley-Idler |
| 11 | 99-3879 | 1 | Idler Arm ASM |
| 11:2 | 1-513034 | 2 | Sleeve-Bearing |
| 12 | 1-603384 | 1 | Bushing-Pivot, Idler |
| 13 | 3296-29 | 2 | Nut-Lock, NI |
| 14 | 3217-11 | 2 | Nut-Hex |
| 15 | 3253-8 | 2 | Washer-Lock |
| 16 | 1-800344 | 2 | Screw |
| 17 | 103-1081 | 2 | Strut ASM |
| 17:1 | 103-1072-01 | 1 | Strut |
| 17:2 | 3219-6 | 1 | Nut-Hex |
| 17:3 | 1-633029 | 1 | Balljoint-Spherical |
| 18 | 302-19 | 4 | Fitting-Grease |
| 19 | 1-632199-01 | 2 | Pin-Strut |
| 20 | 322-3 | 2 | Screw-HH |
| 21 | 1-800811 | 8 | Screw-Cap, HH |
| 22 | 32128-37 | 16 | Nut-HF |
| 23 | 1-633447 | 4 | Chain-Lift, Deck |
| 24 | 99-3946-01 | 1 | Plate-Retainer, Bolt |

| Ref. No. | Part No. | Qty. | Description |
|----------|----------|------|-----------------|
| 25 | 1-800805 | 1 | Screw-HH |
| 26 | 94-2547 | 1 | Bolt-Eye |
| 27 | 3296-39 | 2 | Nut-Lock, NI |
| 28 | 1-809107 | 2 | Washer-Hardened |

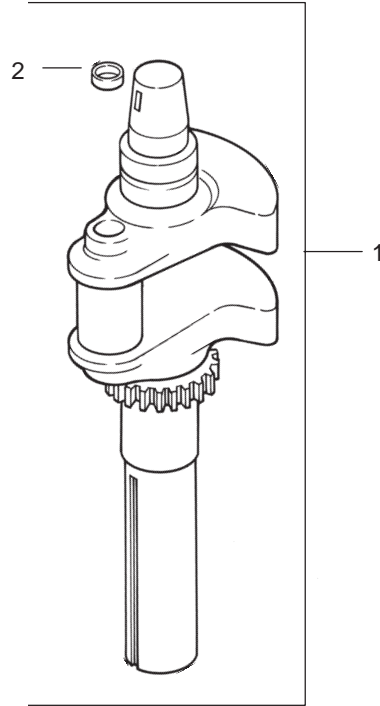


Sheet No.:21

Electrical System Assembly

| Ref. No. | Part No. | Qty. | Description |
|----------|-------------|------|-------------------------|
| 1 | 1-543792 | 2 | Wingnut |
| 2 | 1-633652-03 | 1 | Strap-Holddown |
| 3 | 1-633651 | 2 | Bolt-Holddown |
| 4 | 103-0705 | 1 | Cable-Ground, Negative |
| 5 | 1-543391 | 1 | Insulator-Battery |
| 6 | 321-4 | 3 | Screw-HH |
| 7 | 3256-2 | 2 | Washer-Flat |
| 8 | 32128-33 | 3 | Nut-HF |
| 9 | 105-1692 | 1 | Battery |
| 9:1 | 104-4163 | 1 | Decal-Battery |
| 9:2 | 104-4164 | 1 | Decal-Battery |
| 10 | 1-523281 | 1 | Wire-Starter |
| 11 | 1-800282 | 1 | Screw-HH |
| 12 | 1-523415 | 1 | Spring-Switch, Seat |
| 13 | 3290-500 | 10 | Screw-PPH |
| 14 | 1-652072-03 | 1 | Bracket-Switch, Seat |
| 15 | 322-3 | 3 | Screw-HH |
| 16 | 32128-20 | 5 | Nut-HF |
| 17 | 1-653036 | 1 | Washer |
| 18 | 1-513152 | 1 | Switch-Closed, Normally |
| 19 | 1-633181 | 4 | Plate-Tapped |
| 20 | 1-816001 | 2 | Fuse-Type, Blade |
| 21 | 103-0595 | 1 | Harness-Wire |
| 22 | 1-303287 | 2 | Tie-Plastic |

| Ref. No. | Part No. | Qty. | Description |
|----------|----------|------|-----------------------|
| 23 | 1-543393 | 1 | Insulator-Solenoid |
| 24 | 1-643275 | 2 | Relay |
| 25 | 1-807513 | 4 | Bolt-CARR |
| 26 | 1-644427 | 1 | Tilt Switch ASM |
| 26:2 | 1-643401 | 1 | Decal-Switch, Mercury |
| 27 | 1-543286 | 2 | Grommet |
| 28 | 1-633396 | 2 | Clip-Loom |
| 29 | 1-513051 | 2 | Switch-Open, Normally |
| 30 | 1-303335 | 4 | Tie-Plastic |
| 31 | 1-513374 | 1 | Meter-Hour |
| 32 | 1-633111 | 1 | Switch |
| 33 | 100-6186 | 1 | Module-Delay, Seat |
| 34 | 88-9830 | 1 | Key Switch ASM |
| 34:1 | 3254-5 | 1 | Washer-Tooth |
| 34:2 | 218-461 | 1 | Nut-HH |
| 35 | 63-8360 | 2 | Key-Ignition |
| 36 | 1-633673 | 1 | Switch-Delta |
| 37 | 3296-2 | 7 | Nut-Lock |
| 40 | 3256-14 | 1 | Washer-Flat |
| 41 | 103-1193 | 1 | Clip-Half, Loom |
| 42 | 1-807533 | 1 | Bolt-CARR |

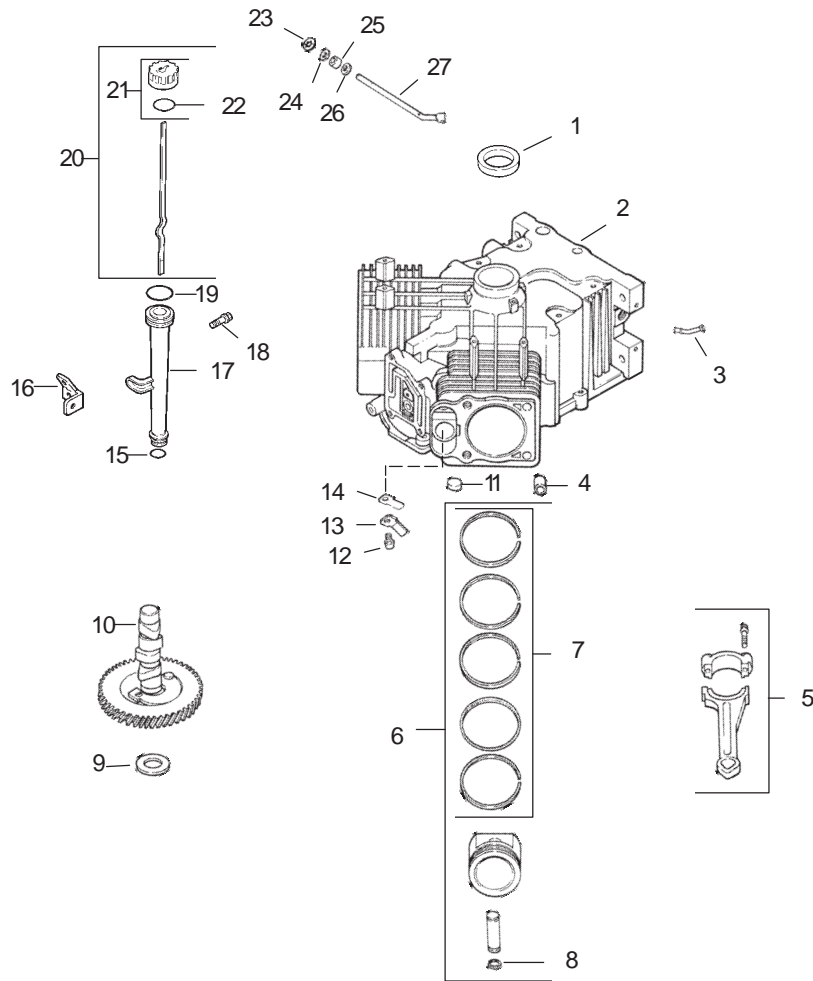


Crankshaft Assembly Kohler CV20S PRO 65593

| Ref. No. | Part No. | Qty. | Description |
|----------|-------------|------|-------------------------|
| 1 | 24 014 32-S | 1 | Crankshaft (Includes 2) |
| 2 | 52 139 09-S | 1 | Plug, cup |

| Ref. No. | Part No. | Qty. | Description |
|----------|----------|------|-------------|
| | | | |

Obtain Parts from Kohler

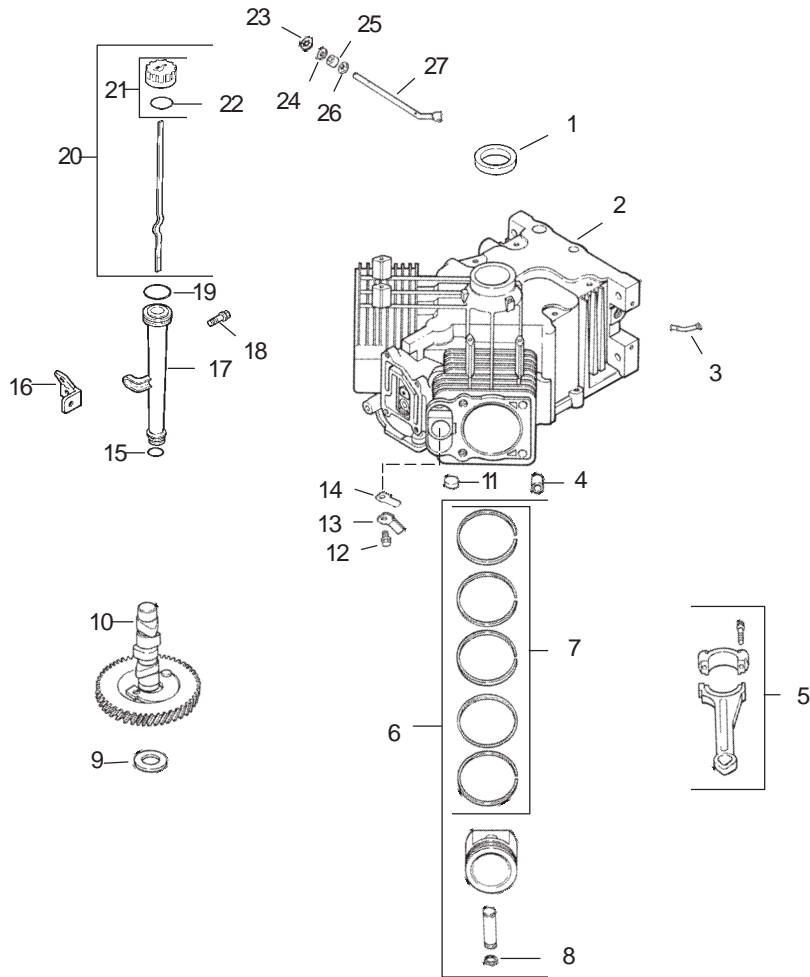


Crankcase Assembly Kohler CV20S PRO 65593

| Ref. No. | Part No. | Qty. | Description |
|----------|-------------|------|--|
| 1 | 24 032 01-S | 1 | Seal, front oil |
| 2 | N/A | 1 | Crankcase (Service with Short Block 24 522 226) |
| 3 | 24 294 13-S | 1 | Fitting |
| 4 | 24 380 13-S | 6 | Pin, locating |
| 5 | 24 067 13-S | 2 | Connecting Rod (Std.) |
| | 24 067 14-S | 2 | Connecting Rod (.25) |
| 6 | 24 874 17-S | 2 | Piston w/Ring Set (Std.) (Includes 7,8) |
| | 24 874 14-S | 2 | Piston w/Ring Set (.08) |
| | 24 874 18-S | 2 | Piston w/Ring Set (.25) |
| | 24 874 19-S | 2 | Piston w/Ring Set (.50) |
| 7 | 24 108 11-S | 2 | Ring Set (Std. & .08) |
| | 24 108 12-S | 2 | Ring Set (.25) |
| | 24 108 13-S | 2 | Ring Set (.50) |
| 8 | 24 018 01-S | 4 | Retainer, piston pin |
| 9 | 12 422 09-S | 1 | Shim, camshaft (A.R.) |
| | 12 422 13-S | 1 | Shim, camshaft (A.R.) |
| | 12 422 07-S | 1 | Shim, camshaft (A.R.) |
| | 12 422 08-S | 1 | Shim, camshaft (A.R.) |
| | 12 422 10-S | 1 | Shim, camshaft |
| | 12 422 11-S | 1 | Shim, camshaft (A.R.) |

| Ref. No. | Part No. | Qty. | Description |
|----------|-------------|------|---------------------------------------|
| | 12 422 12-S | 1 | Shim, camshaft (A.R.) |
| 10 | 24 012 10-S | 1 | Camshaft (Includes 11,12) |
| 11 | 52 139 09-S | 1 | Plug, cup |
| 12 | M-545010-S | 2 | Screw, hex. flange M5x0.8x10 |
| 13 | 24 018 04-S | 2 | Retainer, reed |
| 14 | 24 402 05-S | 2 | Reed, breather |
| 15 | 12 153 01-S | 1 | O-Ring, lower oil fill tube |
| 16 | 24 126 19-S | 1 | Bracket, oil fill tube |
| 17 | 12 123 04-S | 1 | Tube, oil fill |
| 18 | M-545016-S | 1 | Screw, hex. flange M5x0.8x16 |
| 19 | 12 153 02-S | 1 | O-Ring, upper oil fill tube |
| 20 | 24 038 04-S | 1 | Dipstick assembly (Includes 21,22) |
| 21 | 25 755 13-S | 1 | Kit, oil fill cap (Includes 22) |
| 22 | 12 153 03-S | 1 | O-Ring, dipstick |
| 23 | 24 018 09-S | 1 | Ring, retainer |
| 24 | M-931010-S | 1 | Washer, plain 9 mm |
| 25 | 28 032 09-S | 1 | Seal, governor cross |

Obtain Parts from Kohler

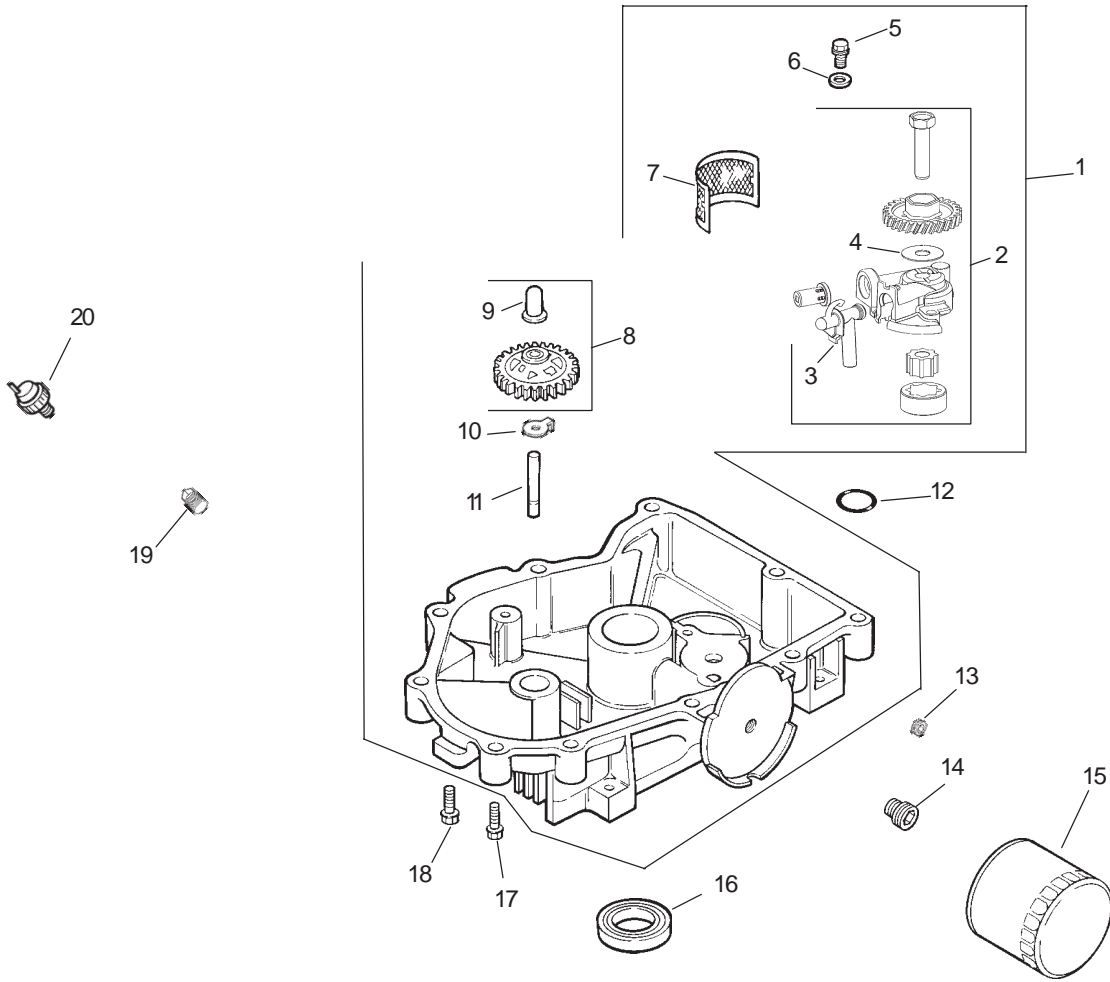


Crankcase Assembly (Continued) Kohler CV20S PRO 65593

| Ref. No. | Part No. | Qty. | Description |
|----------|-------------|------|-----------------------|
| 26 | 24 468 15-S | 1 | Washer, plain 1/4" |
| 27 | 24 144 38-S | 1 | Shaft, governor cross |

| Ref. No. | Part No. | Qty. | Description |
|----------|----------|------|-------------|
| | | | |

Obtain Parts from Kohler

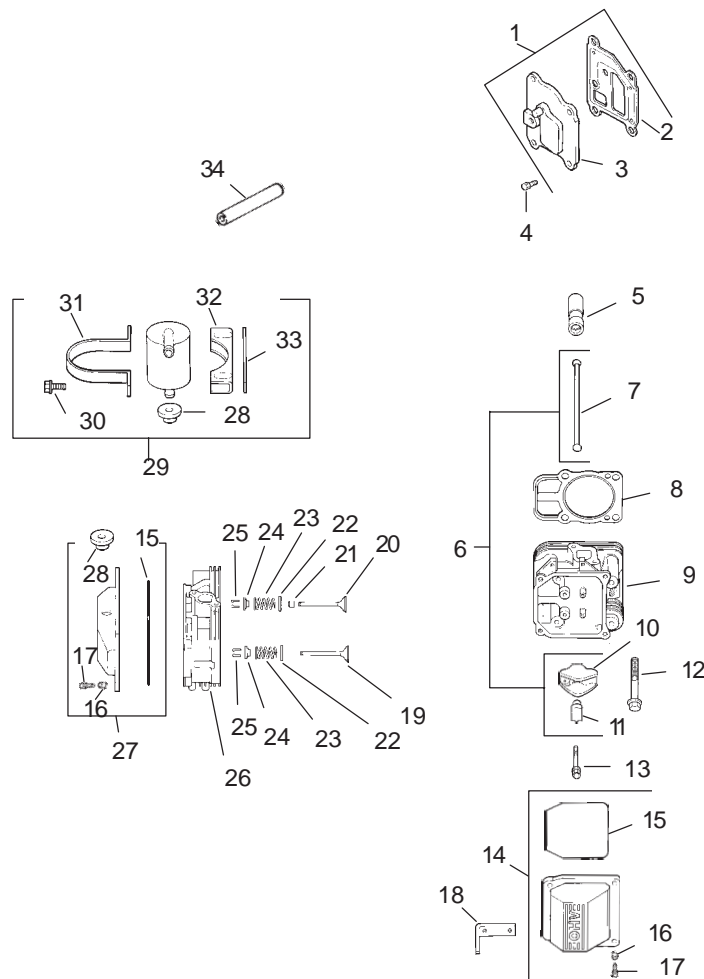


Oil Pan/Lubrication Assembly Kohler CV20S PRO 65593

| Ref. No. | Part No. | Qty. | Description |
|----------|-------------|------|---|
| 1 | 24 199 07-S | 1 | Pan, oil assembly (Includes 2-10) |
| 2 | 24 393 37-S | 1 | Pump assembly, oil before SN 3229000001 |
| 2 | 24 393 37-S | 1 | Pump assembly, oil (Includes 3,4) for SN 3229000001 and later |
| 3 | 24 381 11-S | 1 | Tube, oil pickup |
| 4 | 24 153 01-S | 1 | O-Ring, oil pump |
| 5 | M-645025-S | 2 | Screw, hex. flange M6x1.0x25 |
| 6 | M-631005-S | 2 | Washer, plain 6 mm |
| 7 | 24 162 26-S | 1 | Screen, oil |
| 8 | 24 043 12-S | 1 | Kit, governor gear w/pin (Includes 9) |
| 9 | 12 380 01-S | 1 | Pin, governor regulating |
| 10 | 52 448 02-S | 1 | Tab, locking |
| 11 | 12 144 02-S | 1 | Shaft, governor gear |
| 12 | 24 153 08-S | 1 | O-Ring |
| 13 | 25 139 62-S | 1 | Plug, hex. ctsk. 3/8" |
| 14 | 24 136 01-S | 1 | Nipple, oil filter |
| 15 | 52 050 02-S | 1 | Filter, oil |

| Ref. No. | Part No. | Qty. | Description |
|----------|-------------|------|---------------------------------|
| 16 | 52 032 08-S | 1 | Seal, oil (PTO end) |
| 17 | 24 086 17-S | 1 | Screw, hex. flange M8x1.25x45 |
| 18 | 24 086 16-S | 9 | Screw, hex. flange M8x1.25x45 |
| 19 | 25 139 57-S | 1 | Plug, pipe 3/8 N.P.T.F. sq. hd. |
| 20 | 24 099 03-S | 1 | Switch, pressure |

Obtain Parts from Kohler

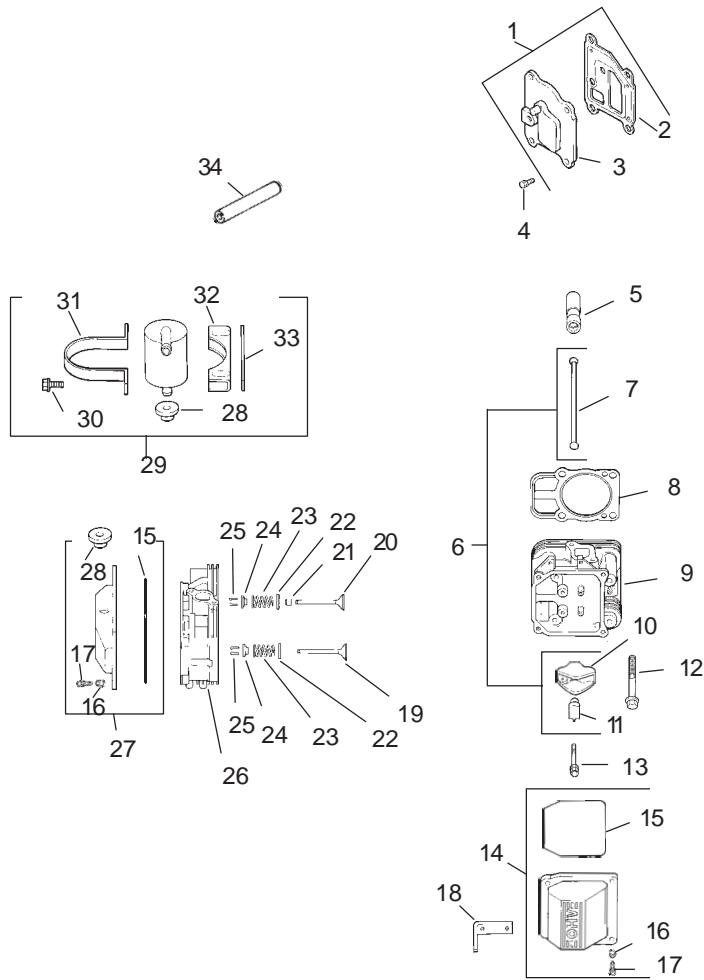


Head/Valve/Breather Assembly Kohler CV20S PRO 65593

| Ref. No. | Part No. | Qty. | Description |
|----------|-------------|------|---|
| 1 | 24 033 03-S | 1 | Kit, breather cover w/gasket (Includes 2,3) |
| 2 | 24 041 23-S | 1 | Gasket, breather |
| 3 | 24 096 87-S | 1 | Cover, breather |
| 4 | M-645020-S | 4 | Screw, hex. flange M6x1.0x20 |
| 5 | 25 351 01-S | 4 | Lifter, valve |
| 6 | 24 755 66-S | 1 | Kit, valve train (Includes 7,10,11) |
| 7 | 24 411 05-S | 4 | Rod, push |
| 8 | 24 041 08-S | 2 | Gasket, cylinder head |
| 9 | 24 318 12-S | 1 | Head assembly, #2 cylinder |
| 10 | 25 186 01-S | 4 | Arm, rocker |
| 11 | 24 599 01-S | 4 | Pivot, rocker arm |
| 12 | 12 086 16-S | 8 | Screw, hex. flange M10x1.5x90 |
| 13 | M-640034-S | 4 | Screw, hex. flange M6x1.0x34 |
| 14 | 24 755 75-S | 1 | Kit, valve cover plain (Includes 15-17) |
| 15 | 24 153 16-S | 1 | O-Ring |
| 16 | 24 112 08-S | 4 | Spacer |

| Ref. No. | Part No. | Qty. | Description |
|----------|-------------|------|---|
| 17 | M-651030-S | 4 | Screw, hex. flange M6x1.0x30 |
| 18 | 24 445 01-S | 1 | Strap, lifting |
| 19 | 24 016 01-S | 2 | Valve, exhaust (Std.) |
| | 24 016 02-S | 2 | Valve, exhaust (.25) |
| 20 | 24 017 01-S | 2 | Valve, intake (Std.) |
| | 24 017 02-S | 2 | Valve, intake (.25) |
| 21 | 24 032 05-S | 2 | Seal, valve stem |
| 22 | 235011-S | 4 | Retainer, spring |
| 23 | 24 089 02-S | 4 | Spring, valve |
| 24 | 12 173 01-S | 4 | Cap, valve spring |
| 25 | 12 755 03-S | 4 | Kit, retainer |
| 26 | 24 318 11-S | 1 | Head assembly, #1 cylinder |
| 27 | 24 755 76-S | 1 | Kit, valve cover/breather (Includes 15-17,28) |
| 28 | 25 313 03-S | 1 | Grommet, rubber |
| 29 | 24 755 57-S | 1 | Kit, breather separator (Includes 28,30-33) |
| 30 | M-545016-S | 2 | Screw, hex. flange M5x0.8x16 |
| 31 | 24 445 02-S | 1 | Strap, breather |
| 32 | 24 126 44-S | 1 | Bracket, breather |

Obtain Parts from Kohler

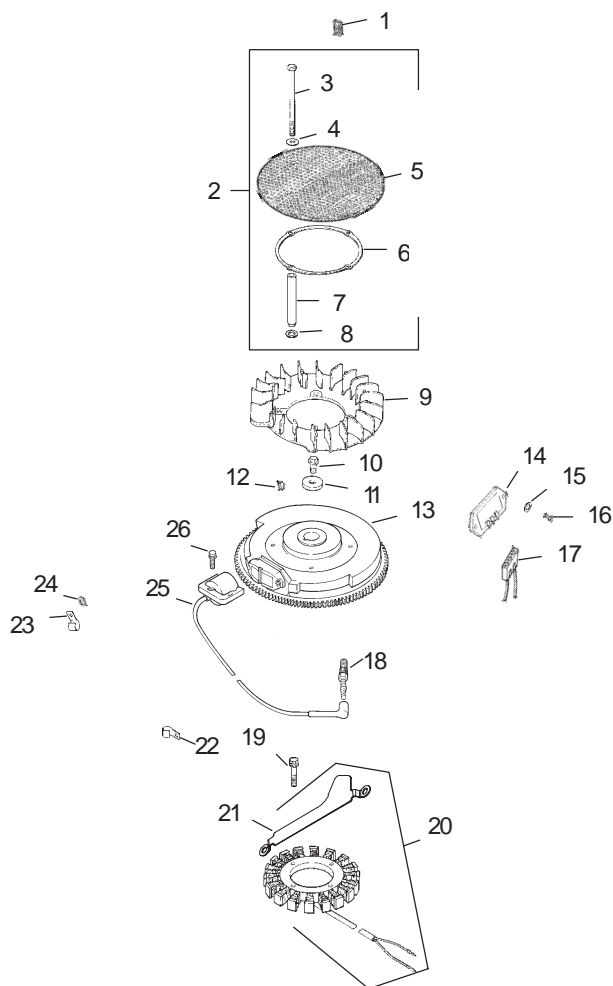


Head/Valve/Breather Assembly (Continued) Kohler CV20S PRO 65593

| Ref. No. | Part No. | Qty. | Description |
|----------|-------------|------|----------------|
| 33 | 24 112 12-S | 1 | Spacer |
| 34 | 24 326 54-S | 1 | Hose, breather |

| Ref. No. | Part No. | Qty. | Description |
|----------|----------|------|-------------|
| | | | |

Obtain Parts from Kohler

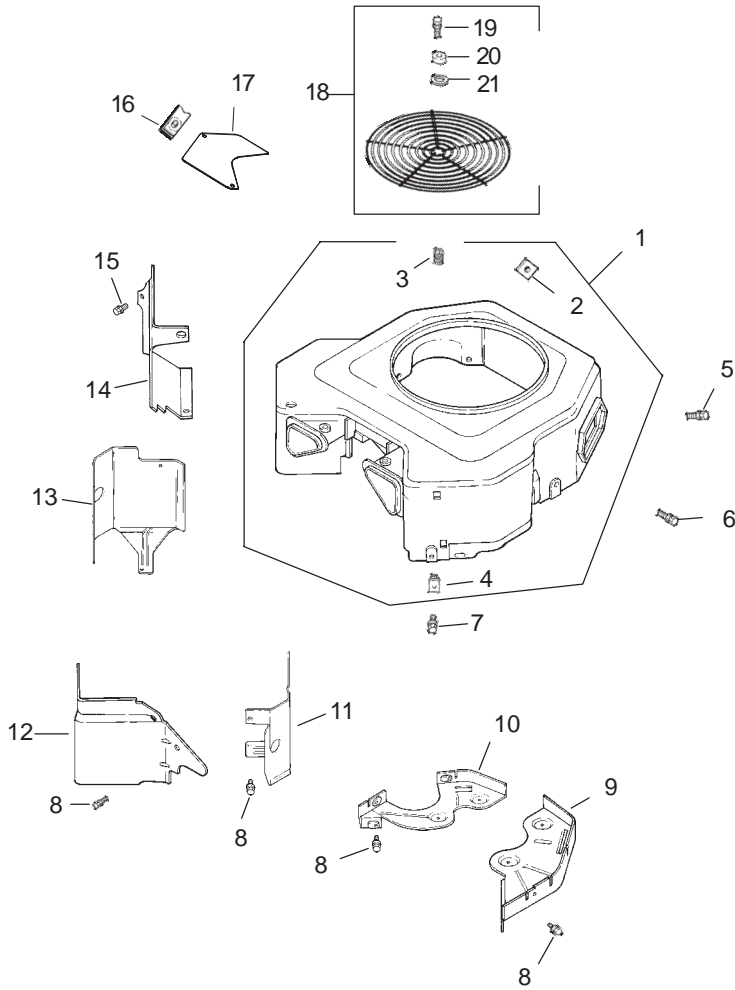


Ignition/Electrical Assembly Kohler CV20S PRO 65593

| Ref. No. | Part No. | Qty. | Description | Ref. No. | Part No. | Qty. | Description |
|----------|-------------|------|---|----------|--------------|------|--|
| 1 | 25 086 43-S | 1 | Screw, set | 19 | M-548025-S | 2 | Screw, hex. cap M5x0.8x25 |
| 2 | 24 755 79-S | 1 | Kit, chopper screen (Includes 3-8, and 41 037 10-S) | 20 | 54 755 09-S | 1 | Kit, 15 amp stator (Includes 21) |
| 3 | M-603100-S | 4 | Screw, hex. hd. M6x1.0x100 | 21 | 24 126 71-S | 1 | Bracket, stator wire |
| 4 | X-25-53-S | 4 | Washer, plain 1/4 | 22 | 235173-S | 1 | Clip, cable |
| 5 | 24 162 25-S | 1 | Screen, grass | 23 | 48 154 02-S | 1 | Clip, cable |
| 6 | 24 141 06-S | 1 | Ring, support | 24 | X-25-63-S | 1 | Washer, plain 1/4" |
| 7 | 24 112 14-S | 4 | Spacer, grass screen | 25 | 24 584 25-S | 2 | Module, ignition |
| 8 | 24 468 11-S | 1 | Washer, spring | 26 | M-561025-S | 4 | Screw, hex. flange M5x0.8x25 |
| 9 | 24 157 08-S | 1 | Fan | * | X-22-11-S | 1 | Washer, lock 1/4" (to ground rectifier-regulator) |
| 10 | 12 086 14-S | 1 | Screw, hex. flange M10x1.5x46 | * | 24 176 109-S | 1 | Harness, wiring |
| 11 | 12 468 03-S | 1 | Washer, plain 3/8" | * | 24 518 12-S | 1 | Lead, black (rectifier-regulator 5" - 12 gauge insulated grip barrel eyelets) |
| 12 | X-42-15-S | 1 | Key | * | 24 113 18-S | 1 | Decal, grass screen |
| 13 | 24 025 01-S | 1 | Flywheel | * | 25 454 03-S | 3 | Tie, wire |
| 14 | 25 403 03-S | 1 | Rectifier-regulator | | | | |
| 15 | X-25-92-S | 2 | Washer, plain 3/16" | | | | |
| 16 | 24 086 18-S | 2 | Screw, phillips hd. 11-16x7/8 | | | | |
| 17 | 236602-S | 1 | Connector (3 contact) | | | | |
| 18 | 12 132 06-S | 2 | Spark Plug | | | | |

Obtain Parts from Kohler

* Not Illustrated



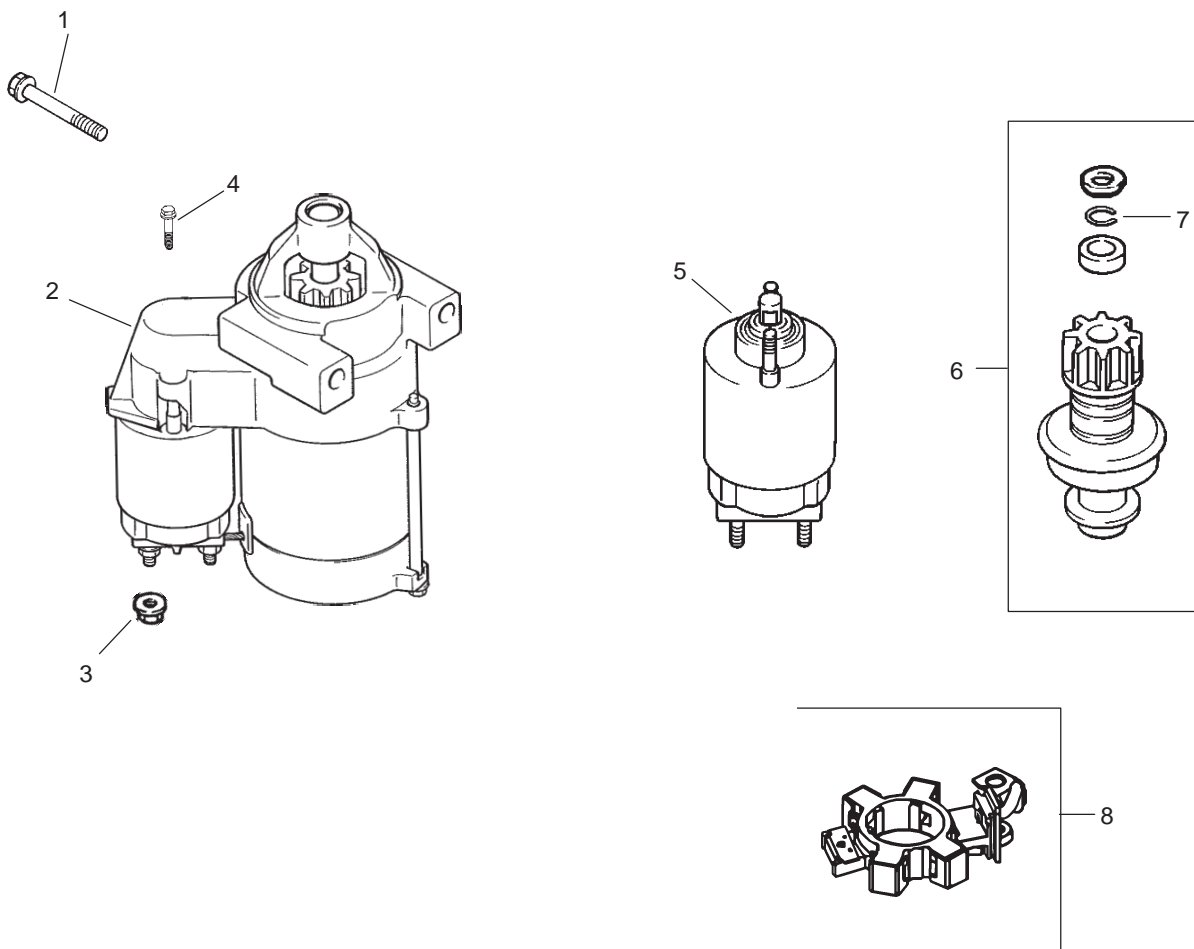
Blower Assembly Kohler CV20S PRO 65593

| Ref. No. | Part No. | Qty. | Description |
|----------|--------------|------|--|
| 1 | 24 027 119-S | 1 | Housing, blower (Includes 2-4 & 24 332 01-S) |
| 2 | 24 100 01-S | 2 | Nut, plastic |
| 3 | 25 086 43-S | 1 | Screw, set |
| 4 | 24 100 02-S | 2 | Nut, plastic |
| 5 | M-551016-S | 1 | Screw, hex. flange M5x0.8x16 |
| 6 | M-545016-S | 3 | Screw, hex. flange M5x0.8x16 |
| 7 | M-545020-S | 4 | Screw, hex. flange M5x0.8x20 |
| 8 | M-645016-S | 10 | Screw, hex. flange M6x1.0x16 |
| 9 | 24 146 16-S | 1 | Plate, backing - # 2 side |
| 10 | 24 146 20-S | 1 | Plate, backing - # 1 side |
| 11 | 24 063 20-S | 1 | Baffle, cylinder barrel - # 2 side |
| 12 | 24 063 14-S | 1 | Baffle, valley - #2 side |
| 13 | 24 063 58-S | 1 | Baffle, cylinder barrel- # 1 side |
| 14 | 24 063 60-S | 1 | Baffle, valley - #1 side |

| Ref. No. | Part No. | Qty. | Description |
|----------|-------------|------|---|
| 15 | M-545010-S | 2 | Screw, hex. flange M5x0.8x10 |
| 16 | 24 096 63-S | 2 | Panel, access |
| 17 | 25 154 02-S | 4 | Clip, mounting |
| 18 | 24 755 94-S | 1 | Kit, guard (Includes 19-21 & 24 332 01-S) |
| 19 | 24 086 39-S | 3 | Screw, pan hd. M5x0.8x15 |
| 20 | 24 112 09-S | 3 | Spacer |
| 21 | 24 468 10-S | 3 | Washer, plain 1/4 |
| * | 24 332 01-S | 3 | Insert, threaded |
| * | 24 113 95-S | 1 | Decal, 20 HP |

Obtain Parts from Kohler

* Not Illustrated

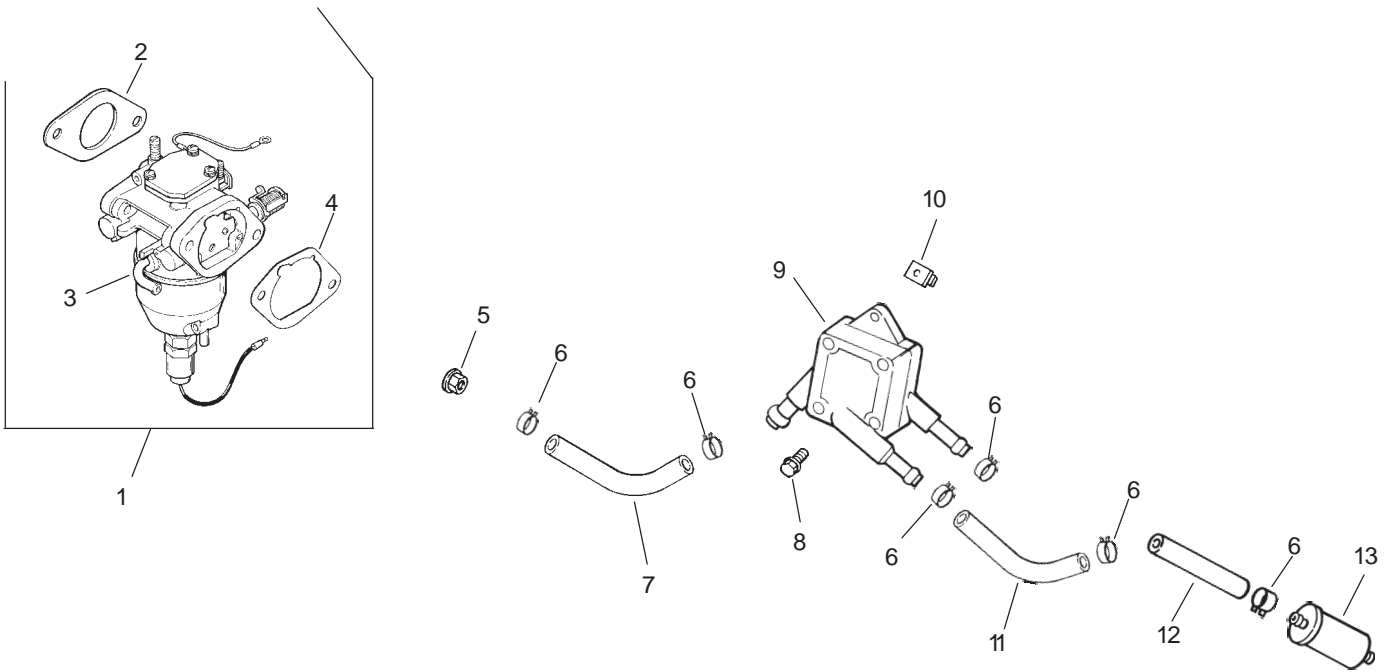


Starter Assembly Kohler CV20S PRO 65593

| Ref. No. | Part No. | Qty. | Description |
|----------|--------------|------|---|
| 1 | M-839080-S | 2 | Screw, hex. flange M8x1.25x80 |
| 2 | 25 098 09-S | 1 | Starter, solenoid shift (Includes 3-8) |
| 3 | M-841080-S | 1 | Nut, hex. flange M8x1.25 |
| 4 | 25 086 113-S | 3 | Screw, external torx hd. |
| 5 | 25 435 05-S | 1 | Kit, solenoid (Includes 4) |
| 6 | 25 755 33-S | 1 | Kit, drive (Includes 7) |
| 7 | 25 141 05-S | 1 | Ring |
| 8 | 25 221 01-S | 1 | Kit, brush |

| Ref. No. | Part No. | Qty. | Description |
|----------|----------|------|-------------|
| | | | |

Obtain Parts from Kohler



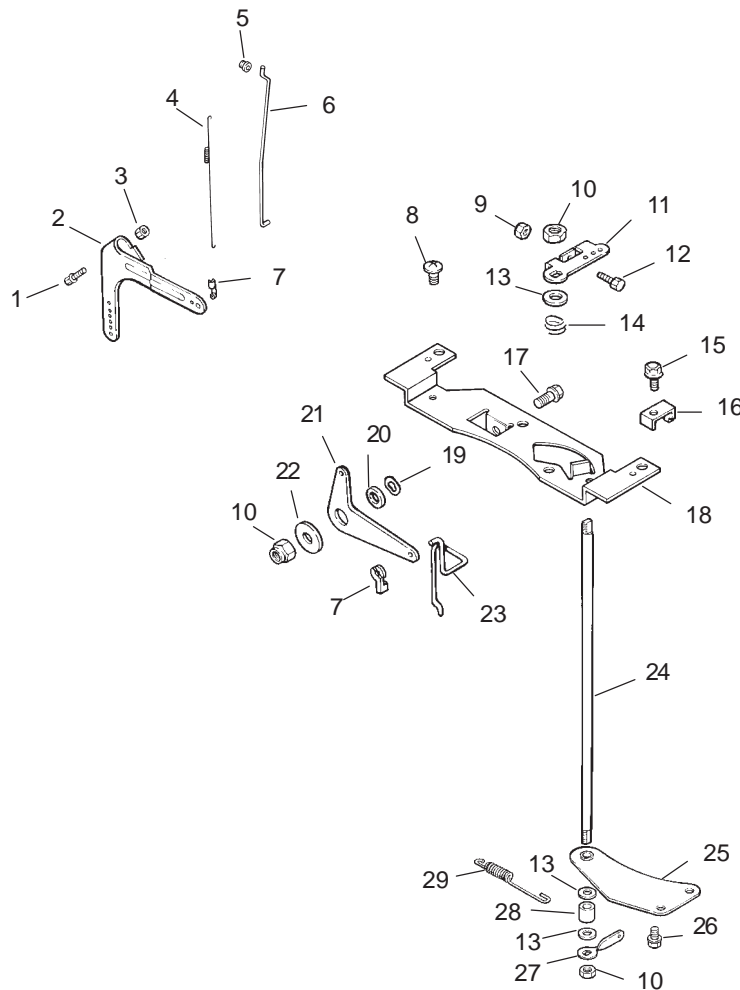
Fuel System Assembly Kohler CV20S PRO 65593

| Ref. No. | Part No. | Qty. | Description |
|----------|-------------|------|---|
| 1 | 24 853 99-S | 1 | Kit, carburetor w/gaskets (Includes 2-4) |
| 2 | 24 041 15-S | 1 | Gasket, carburetor |
| 3 | 24 053 99 | 1 | Carburetor assembly (For information only not available separately) (Service with kits 24 234 02-S, 24 757 18-S, 24 757 19-S, 24 757 20-S, 24 757 21-S & 24 757 22-S) |
| 4 | 24 041 14-S | 1 | Gasket, air cleaner base |
| 5 | M-641060-S | 2 | Nut, hex. flange M6x0.8 |
| 6 | 25 237 14-S | 6 | Clamp, hose |
| 7 | 25 353 04-S | 1 | Line, fuel 6-1/4 |
| 8 | 24 086 12-S | 2 | Screw, hex. cap M6x1.7x18 |
| 9 | 24 393 16-S | 1 | Pump, fuel |

| Ref. No. | Part No. | Qty. | Description |
|----------|-------------|------|-------------------------------------|
| 10 | 24 100 01-S | 2 | Nut, plastic |
| 11 | 24 353 03-S | 1 | Line, fuel 10-5/8" |
| 12 | 52 353 22-S | 1 | Line, fuel 12-1/4 |
| 13 | 24 050 02-S | 1 | Filter, fuel |
| * | 24 234 02-S | 1 | Bowl, float |
| * | 24 431 01-S | 1 | Sleeve, insulating |
| * | 24 757 18-S | 1 | Kit, overhaul w/gaskets |
| * | 24 757 19-S | 1 | Kit, choke repair w/gaskets |
| * | 24 757 20-S | 1 | Kit, gasket w/gaskets |
| * | 24 757 21-S | 1 | Kit, accelerator pump w/gaskets |
| * | 24 757 22-S | 1 | Kit, solenoid replacement w/gaskets |

Obtain Parts from Kohler

* Not Illustrated

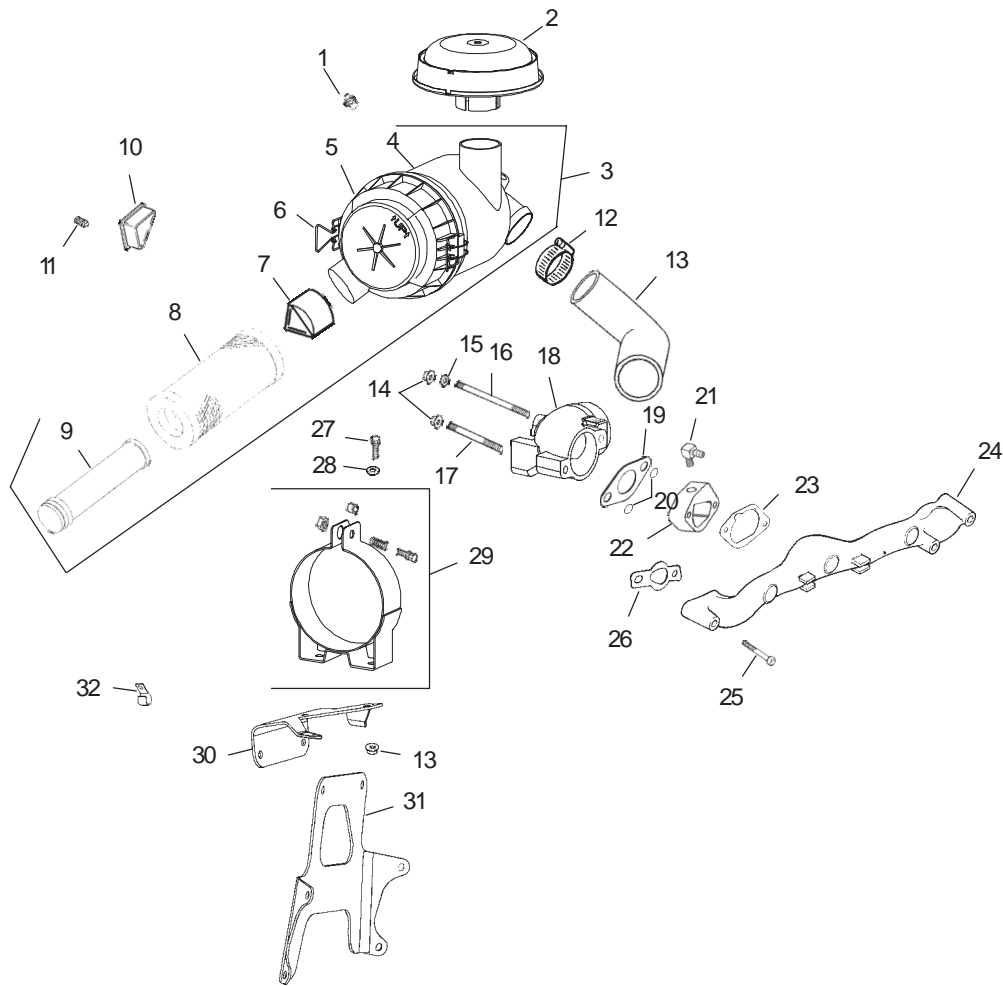


Engine Control Assembly Kohler CV20S PRO 65593

| Ref. No. | Part No. | Qty. | Description |
|----------|-------------|------|---------------------------------------|
| 1 | 24 211 03-S | 1 | Bolt, rd. hd. sq. neck M6x1.0x25 |
| 2 | 24 090 33-S | 1 | Lever, governor |
| 3 | M-641060-S | 1 | Nut, hex. flange M6x1.0 |
| 4 | 24 089 01-S | 1 | Spring, linkage |
| 5 | 25 158 08-S | 1 | Bushing, linkage retaining |
| 6 | 24 079 04-S | 1 | Linkage, throttle |
| 7 | 25 158 11-S | 2 | Bushing, throttle linkage |
| 8 | 24 086 06-S | 2 | Screw, phillips hd. 11-16x3/4" (2) |
| 9 | M-446030-S | 1 | Nut, hex. M4x0.7 |
| 10 | M-647060-S | 3 | Nut, hex. lock M6x1.0 |
| 11 | 24 090 09-S | 1 | Lever, throttle control |
| 12 | M-401030-S | 1 | Screw, hex. cap M4x0.7x25 |
| 13 | X-25-72-S | 3 | Washer, plain 1/4" |
| 14 | 24 089 20-S | 1 | Spring, throttle shaft |
| 15 | M-545016-S | 2 | Screw, hex. flange M5x0.8x16 |
| 16 | 12 237 01-S | 2 | Clamp, cable |

| Ref. No. | Part No. | Qty. | Description |
|----------|--------------|------|---------------------------------|
| 17 | M-639016-S | 1 | Screw, hex. flange M6x1.0x16 |
| 18 | 24 126 111-S | 1 | Bracket, control |
| 19 | 277341-S | 1 | Washer, spring 3/8" |
| 20 | 25 431 01-S | 1 | Spacer |
| 21 | 24 090 20-S | 1 | Lever, choke |
| 22 | X-25-52-S | 1 | Washer, plain 1/4" |
| 23 | 24 079 10-S | 1 | Linkage, choke |
| 24 | 24 144 11-S | 1 | Shaft, throttle |
| 25 | 24 126 17-S | 1 | Bracket, throttle shaft |
| 26 | M-645016-S | 3 | Screw, hex. flange M6x1.0x16 |
| 27 | 24 090 12-S | 1 | Lever, throttle control |
| 28 | 24 112 10-S | 1 | Spacer |
| 29 | 24 089 45-S | 1 | Spring, governor |

Obtain Parts from Kohler



Air Intake/Filtration Assembly Kohler CV20S PRO 65593

| Ref. No. | Part No. | Qty. | Description |
|----------|-------------|------|---|
| 1 | 25 139 20-S | 1 | Plug, pipe |
| 2 | 25 324 02-S | 1 | Hood, air cleaner |
| 3 | 25 048 07-S | 1 | Assembly, air cleaner (Includes 4-9) |
| 4 | 25 081 01-S | 1 | Housing, heavy duty air cleaner |
| 5 | 25 096 06-S | 1 | Cover assembly, plastic air cleaner |
| 6 | 25 154 05-S | 2 | Clip |
| 7 | 24 462 07-S | 1 | Valve, dust ejector |
| 8 | 25 083 01-S | 1 | Element, air cleaner primary |
| 9 | 25 083 04-S | 1 | Element, air cleaner safety |
| 10 | 24 096 17-S | 2 | Cover, blower housing |
| 11 | 25 086 91-S | 2 | Screw, tapping |
| 12 | 25 237 07-S | 2 | Clamp, hose |
| 13 | 24 326 53-S | 1 | Hose, air cleaner |
| 14 | M-647060-S | 4 | Nut, hex. lock M6x1.0x60 |
| 15 | 25 468 01-S | 1 | Washer, copper 1/4 |
| 16 | 24 072 10-S | 1 | Stud M6x1.0x180 |
| 17 | M-629140-S | 1 | Stud M6x1.0x40 |
| 18 | 24 029 43-S | 1 | Adapter, elbow |

| Ref. No. | Part No. | Qty. | Description |
|----------|--------------|------|---|
| 19 | 24 041 44-S | 1 | Gasket, air cleaner adapter |
| 20 | 25 153 05-S | 2 | O-Ring, heavy-duty air cleaner |
| 21 | 25 155 38-S | 1 | Connector, hose |
| 22 | 24 029 57-S | 1 | Adapter, remote heavy-duty air cleaner |
| 23 | 24 041 14-S | 1 | Gasket, air cleaner base |
| 24 | 24 164 06-S | 1 | Manifold, intake |
| 25 | 25 086 84-S | 4 | Screw, hex. flange M6x1.0x55 |
| 26 | 24 041 01-S | 2 | Gasket, intake manifold |
| 27 | X-25-73-S | 2 | Washer, plain 1/4 |
| 28 | 25 126 02-S | 1 | Bracket, air cleaner |
| 29 | 24 126 104-S | 1 | Bracket, air cleaner mounting |
| 30 | 24 126 105-S | 1 | Bracket, main support |
| * | 47 154 01-S | 1 | Clip, cable |
| * | 25 113 27-S | 1 | Decal, air cleaner |
| * | 25 454 04-S | 1 | Tie, wire |

Obtain Parts from Kohler

* Not Illustrated

