



Z153

Z Master[®] with 52in SFS Side Discharge Mower

Model No. 74197—230006001 and Up

Parts Catalog

Ordering Replacement Parts

To order replacement parts, please supply: the part number, the quantity, and the description of each part desired.

Understanding Reference Numbers

Each identified part in an illustration has a reference number. The reference number for a part also appears in the parts list, along with other information about the part.

This catalog uses two special reference number formats, one to indicate parts in a service assembly and another to indicate the quantity of a given part in an illustration.

Service Assembly Reference Numbers

Parts in service assemblies have reference numbers in the form **a:b**. The **a** represents the reference number of the entire service assembly and the **b** represents a sequential number unique to each part within the service assembly.

For example, a wheel assembly might be identified by reference number **6**, the tire by **6:1**, the valve by **6:2**, and the wheel by **6:3**. When you order the assembly identified by reference number **6**, you receive all parts identified by reference numbers **6:1**, **6:2**, and **6:3**. However, you may also order any part individually.

Reference numbers of this type appear in illustrations and in part lists.

Reference Numbers Indicating Quantity

In an illustration, if a reference number indicates more than one part, the reference number has the form **nX y**. The **n** represents the quantity of the part, the **X** is the multiplication symbol, and the **y** represents the reference number.

For example, in an illustration, the reference number **2X 37** means that two of the parts identified by reference number **37** are indicated.

Contents

Description	Page	Description	Page
Front Frame Assembly	4	Crankcase Assembly	
Caster Wheel Assembly No. 1–634662	5	Kohler CV23S–75560	24
Front Spring Assembly No. 103–1987	6	Oil Pan/Lubrication Assembly	
Height of Cut Assembly	7	Kohler CV23S–75560	26
Main Frame Assembly	8	Head/Valve/Breather Assembly	
Seat Assembly No. 1–633705	9	Kohler CV23S–75560	27
Fuel System Assembly	10	Ignition/Electrical Assembly	
Parking Brake System Assembly	11	Kohler CV23S–75560	29
Motion Control System Assembly	12	Blower Housing Assembly	
Hydraulic System Assembly	13	Kohler CV23S–75560	30
Pump, Idler and Belt Assembly	15	Starter Assembly	
Engine and Clutch Assembly	16	Kohler CV23S–75560	31
Deck and Wheel Gage Assembly	17	Fuel System Assembly	
Deck Assembly No. 106–5876	18	Kohler CV23S–75560	32
Deck Spindle Assembly	19	Engine Control Assembly	
Idler, Pulley/Lift Strut, Chain Assembly	20	Kohler CV23S–75560	33
Electrical System Assembly	21	Air Intake/Filtration Assembly	
Electrical Schematic	22	Kohler CV23S–75560	34
Crankshaft Assembly		Exhaust Assembly	
Kohler CV23S–75560	23	Kohler CV23S–75560	35

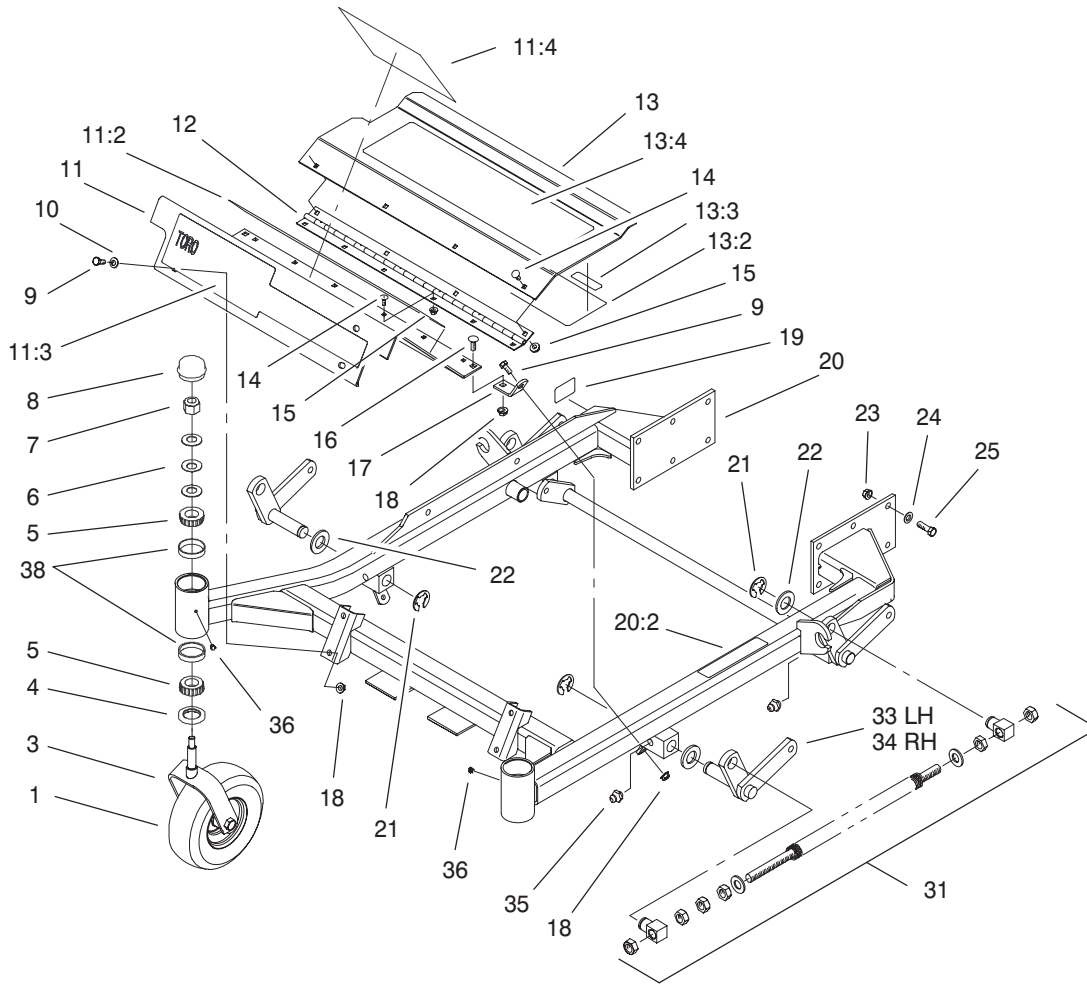
Accessories

Description	Model / Part No.	Description	Model / Part No.
52" Deck Recycler Kit	59225	Z–Stand Kit	105–1621
52" Mulching Kit	59227	Steel Bagger	30107
52" Striping Kit	30121	Hitch Kit	99–8924
Blade Assembly–Atomic 18		Twin Bagger Kit	78455
(3 required for improved mulching)	104–1301	DFS Bagger	78490
Seat–Suspension, High	99–8522	Filter Minder	99–4664
Twin Bagger Finishing Kit	78497	ROPS	TORO Dealer
DFS Boot and Tube Kit	78493		
High Sail Blades			
(3 required for improved bagging)	56–2390		

Part Description Abbreviations

Part descriptions in this catalog may include the following abbreviations.

Abbreviation	Meaning	Abbreviation	Meaning
AR	as required	HYD	hydraulic
ASM	assembly	INC	incorporated
CARR	carriage	LH	left hand
DEG	degrees	NI	nylon insert
FH	flat head	PPH	Phillips pan head
GA	gauge	PTH	Phillips truss head
HF	hex flange	PTO	power take off
HH	hex head	RH	right hand
HHF	hex head flange	SFH	slotted fillister head
HLH	hex lag head	SHH	slotted hex head
HJ	hex jam	SQH	square head
HOC	height-of-cut	SHWH	slotted hex washer head
HS	hex socket	SPH	slotted pan head
HSBH	hex socket button head	SRH	slotted round head
HSFH	hex socket flat head	STD	standard
HSH	hex socket head	TAP	self tapping
HWH	hex washer head	TTH	Torx truss head
HWHTF	hex washer head thread forming	WH	wing head

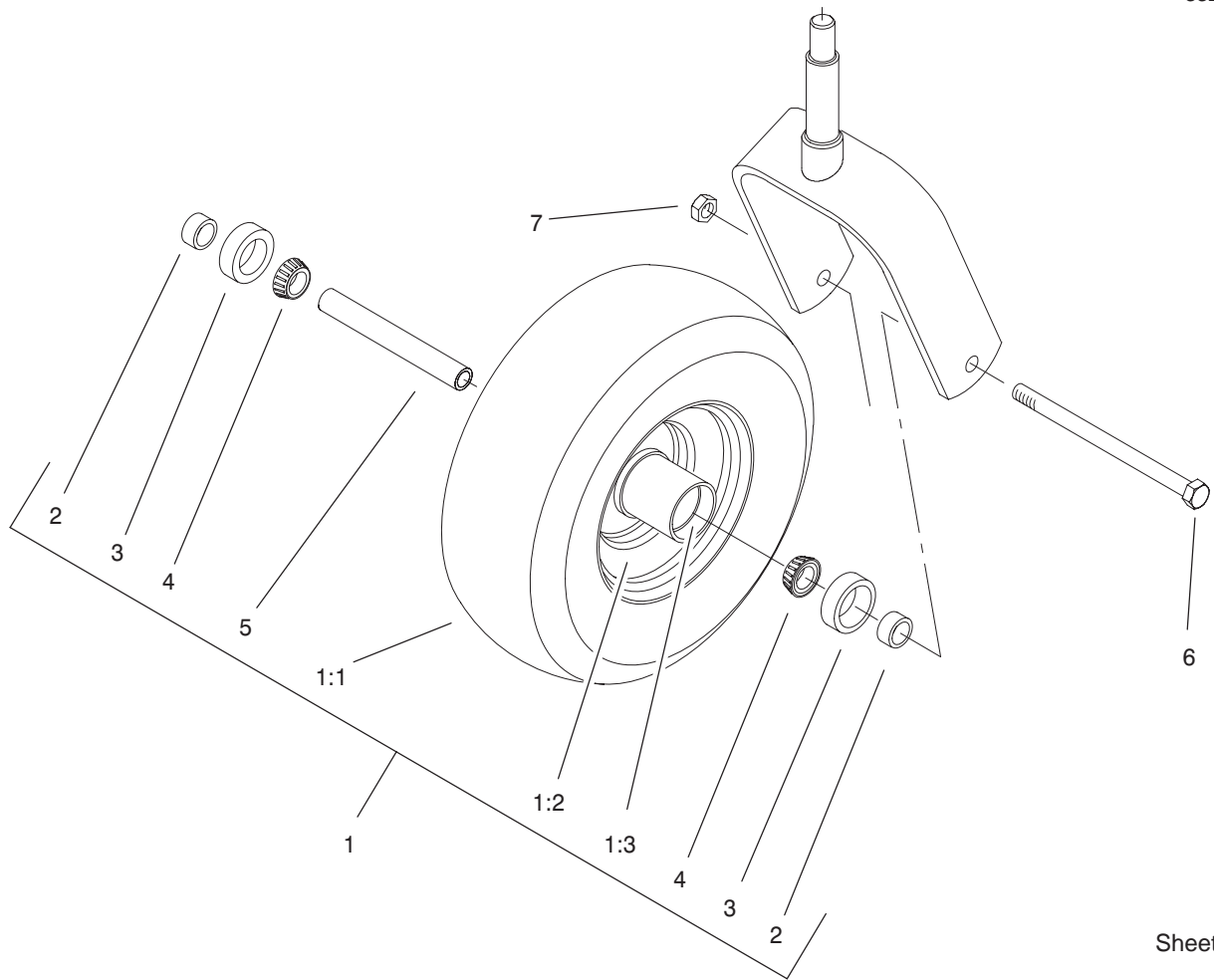


Sheet No.:2

Front Frame Assembly

Ref. No.	Part No.	Qty.	Description
1	1-634662	2	Caster Wheel ASM
3	1-632511-01	2	Caster
4	1-543511	2	Seal-Grease
5	254-94	4	Bearing-Cone, Taper
6	1-633508	6	Washer-Bellville
7	3296-51	2	Nut-Lock, NI
8	1-543513	2	Cap-Grease
9	322-3	6	Screw-HH
10	3256-23	4	Washer-Flat
11	106-6588	1	Floorpan W/Decals ASM
11:2	1-633553	1	Pad-Antiskid
11:3	1-633737	1	Decal-Z Master
11:4	106-6571	1	Decal - Danger, Slope
12	1-653049	1	Hinge-Floorpan
13	99-3930	1	Footrest ASM
13:2	99-3924	1	Decal-Service
13:3	98-5954	1	Decal-Missing, Cover
13:4	1-633553	1	Pad-Antiskid
14	3229-10	10	Screw-CARR
15	32128-33	10	Nut-HF
16	3230-1	2	Bolt-CARR
17	99-3870-01	2	Bracket-Floorpan
18	32128-20	8	Nut-HF
19	105-2625	1	Decal-Safety STD
20	99-3931	1	Front Frame ASM

Ref. No.	Part No.	Qty.	Description
20:2	1-633818	1	Decal-Warning
21	32151-103	6	Ring-Snap
22	3256-29	6	Washer-Flat
23	3290-357	12	Nut-HHF
24	98-5975	12	Washer-Belleville
25	323-7	12	Screw-HH
31	103-1987	2	Front Spring ASM
33	99-3871-01	1	LH Lift Arm ASM
34	99-3872-01	1	RH Lift Arm ASM
35	302-19	4	Fitting-Grease
36	1-811010	2	Plug
38	254-72	4	Bearing-Cup, Tapered

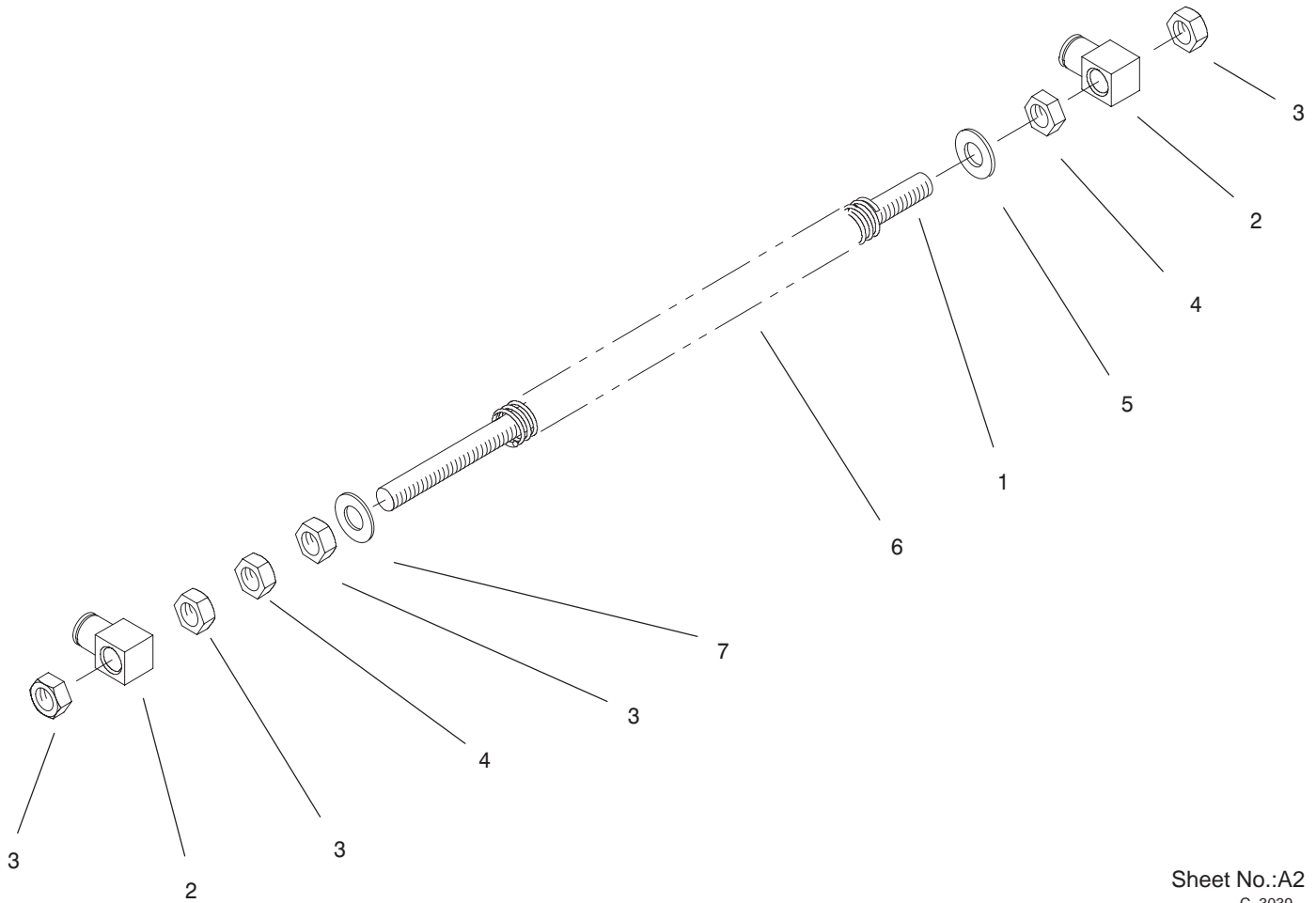


Sheet No.:A1
C-3038

Caster Wheel Assembly No. 1-634662

Ref. No.	Part No.	Qty.	Description
1	1-633582	1	Wheel And Tire ASM
1:1	1-633002	1	Tire
1:2	1-633583	1	Wheel
1:3	1-633584	2	Bearing-Cup
2	1-633581	2	Spacer-Bearing
3	1-633580	2	Seal-Bearing
4	1-633585	2	Bearing-Cone, Taper
5	1-633579	1	Spacer-Caster, Front
6	325-36	1	Screw-HH
7	3296-45	1	Nut-Lock, NI

Ref. No.	Part No.	Qty.	Description

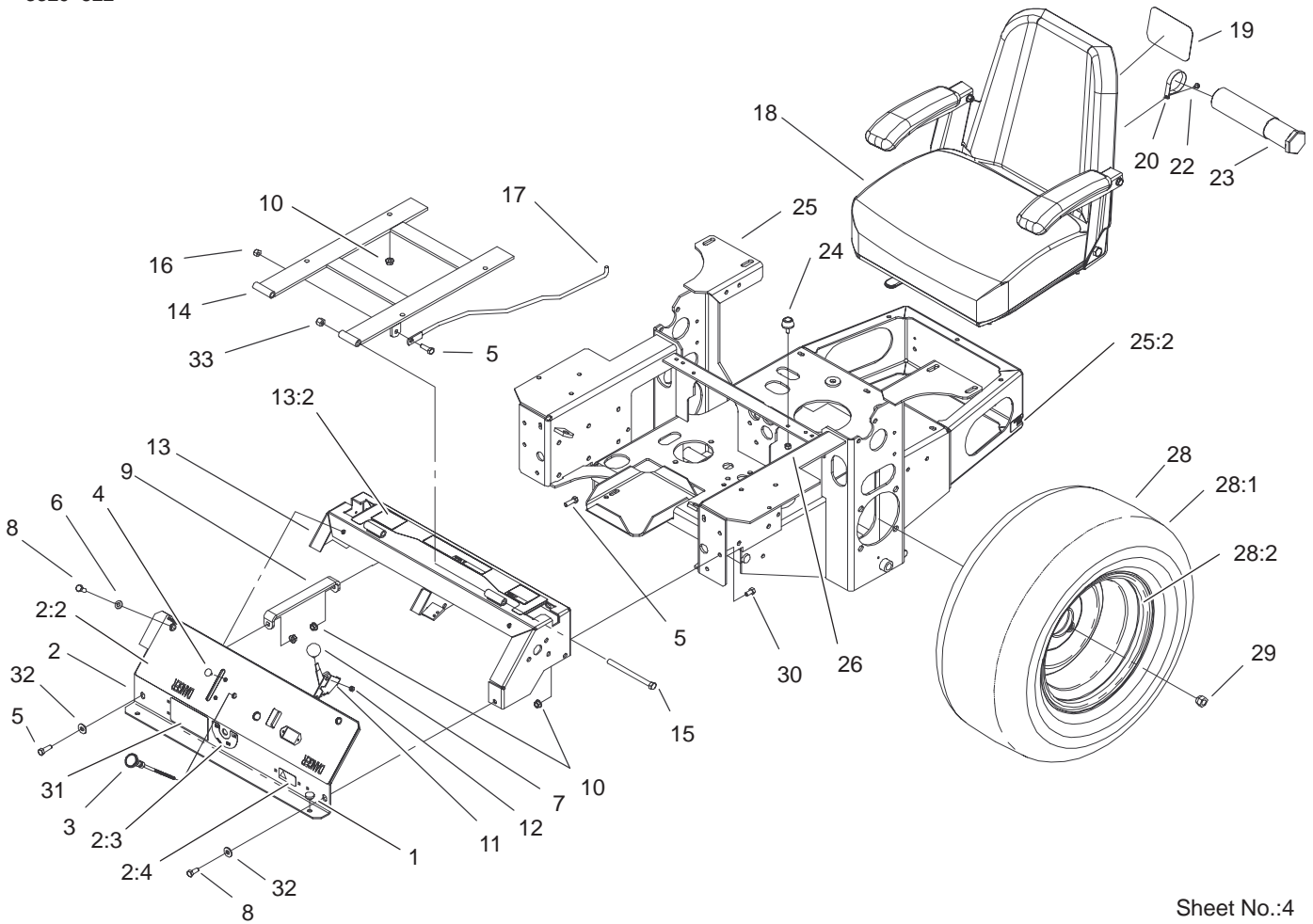


Sheet No.:A2
C-3039

Front Spring Assembly No. 103-1987

Ref. No.	Part No.	Qty.	Description
1	1-653011	1	Rod-Lift, Deck
2	1-633441	2	Swivel-Deck Mount, Rear
3	3217-11	4	Nut-Hex
4	3218-6	2	Nut-Jam
5	1-805517	1	Washer
6	1-653009	1	Spring-Compression
7	3256-27	1	Washer-Flat

Ref. No.	Part No.	Qty.	Description

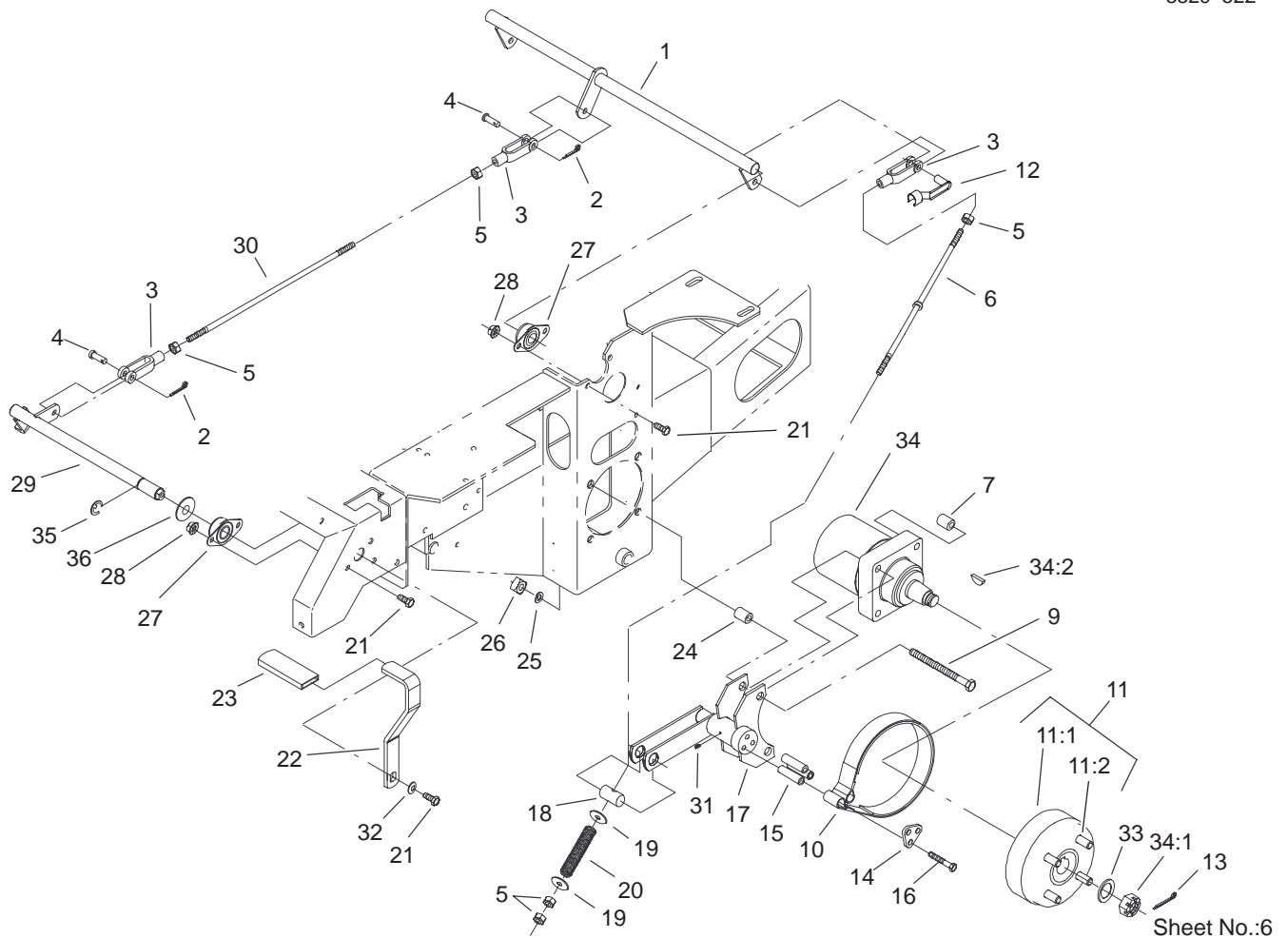


Sheet No.:4

Main Frame Assembly

Ref. No.	Part No.	Qty.	Description
1	1-513658	2	Bumper-Catcher, Grass
2	106-6589	1	Console W/ Decals
2:2	106-6586	1	Decal-Control Panel
2:3	103-0262	1	Decal-Valve, Fuel
2:4	98-4387	1	Decal-Protection, Ear
3	103-3085	1	Control-Choke
4	1-807513	2	Bolt-CARR
5	322-5	3	Screw-HH
6	3256-23	2	Washer-Flat
7	1-513592	1	Knob-Ball
8	322-3	3	Screw-HH
9	1-653089-03	1	Bracket
10	32128-20	12	Nut-HF
11	103-3086	1	Control-Throttle
12	3296-2	2	Nut-Lock
13	105-6123	1	Console ASM
13:2	103-1997	1	Decal-Console, Top
14	1-632187-03	1	Frame-Seat
15	323-39	2	Screw-HH
16	3296-29	1	Nut-Lock, NI
17	103-1731	1	Rod-Retainer, Seat
18	1-633705	1	Seat ASM
19	99-4693	1	Decal-Toro
20	2412-120	2	R-Clamp
22	32104-76	2	Screw

Ref. No.	Part No.	Qty.	Description
23	74-0720	1	Tube-Manual
24	1-523420	2	Bumper
25	105-3649	1	Main Frame ASM
25:2	65-2690	2	Decal-Surface, Hot
26	3296-42	2	Nut-Lock, NI
28	1-653159	2	Wheel And Tire ASM
28:1	1-653160	1	Tire
28:2	1-653161	1	Wheel
29	242-50	8	Nut-Lug
30	322-2	6	Screw-HH
31	100-3969	1	Decal-Z153
32	3256-3	2	Washer-Flat
33	3296-39	2	Nut-Lock, NI

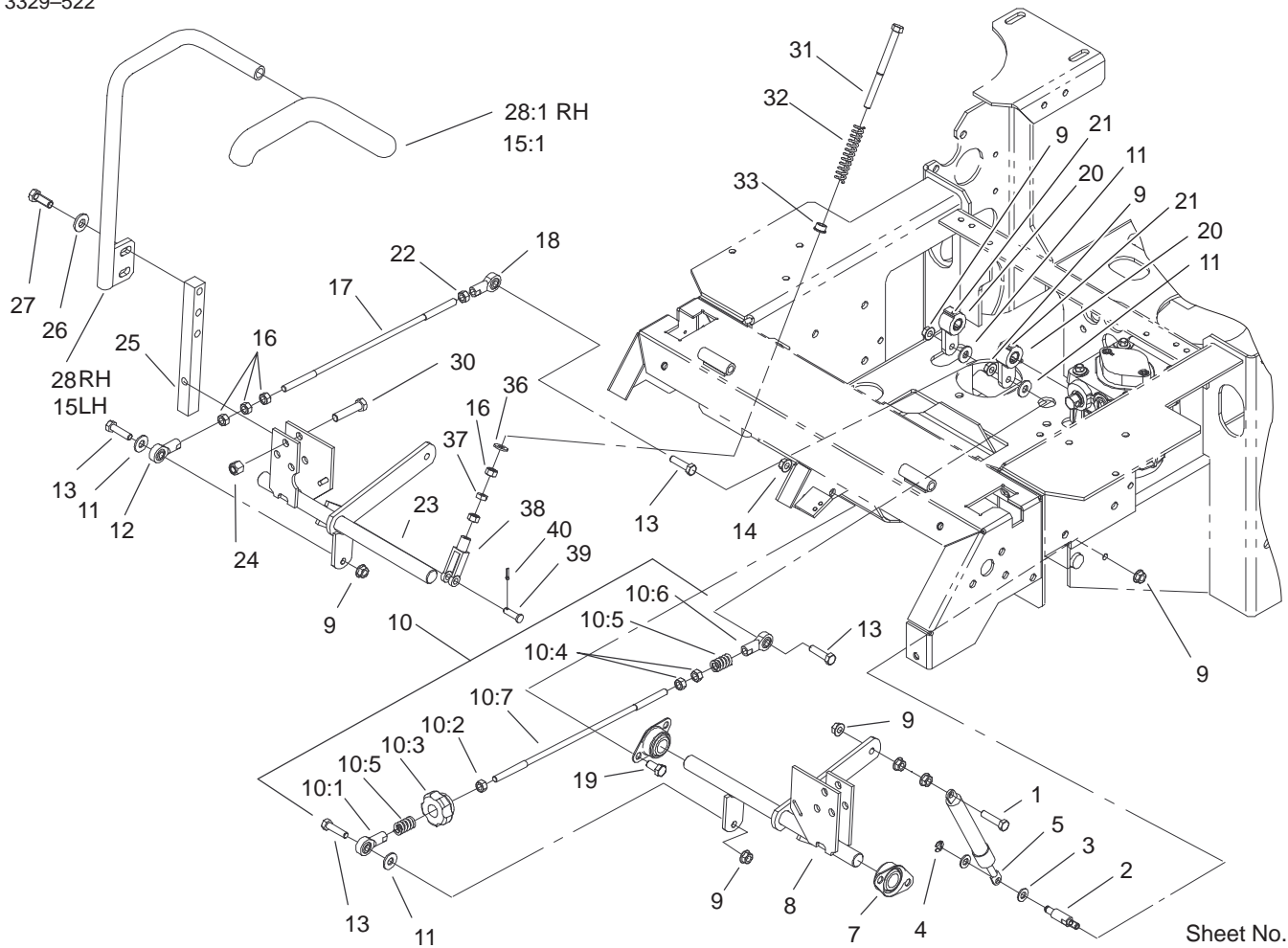


Sheet No.:6

Parking Brake System Assembly

Ref. No.	Part No.	Qty.	Description	Ref. No.	Part No.	Qty.	Description
1	1-652073-03	1	Crank-Brake, Park	26	103-0131	8	Nut-Square
2	3272-10	2	Pin-Cotter	27	1-633102	4	Bearing-Flange, Side
3	1-633131	4	Yoke-Linkage, Brake	28	3290-357	8	Nut-HHF
4	1-808285	2	Pin-Clevis	29	103-3116	1	Shaft-Brake, Parking
5	3219-3	8	Nut-HH	30	1-653061	1	Linkage-Handle, Brake
6	103-0356	2	Rod-Brake	31	1481	2	Fitting-Grease
7	1-653068	4	Spacer-Wheel	32	98-5975	1	Washer-Belleville
9	325-13	8	Screw-HH	33	1-523157	2	Washer-Spacer
10	103-0355	2	Band-Brake	34	1-523328	2	Motor-Wheel
11	103-0590	2	Hub-Wheel	34:1	1-809036	1	Nut-HH
11:1	103-0589	1	Hub-Wheel	34:2	3257-42	1	Key-Woodruff
11:2	1-633926	4	Stud-Wheel	*34:99	1-000099	1	Seal Kit
12	103-2399	2	Pin-Spring, Clevis	*34:99	1-000139	1	Bearing Kit
13	1-806800	2	Pin-Cotter	*34:99	103-2748	1	Drive Link Kit
14	103-0374	2	Retainer-Band, Brake	35	32151-48	1	E-Ring
15	103-0384	6	Spacer	36	3256-28	1	Washer-Flat
16	322-9	6	Screw-HH				
17	103-0352-03	2	Bracket-Brake				
18	1-633144	2	Pin-Trunion				
19	3256-4	4	Washer-Flat				
20	1-633454	2	Spring-Brake				
21	323-4	9	Screw-HH				
22	1-653074-03	1	Handle-Brake, Park				
23	1-633268	1	Grip-Lever, Brake				
24	1-653069	4	Spacer-Wheel				
25	3253-7	8	Washer-Lock				

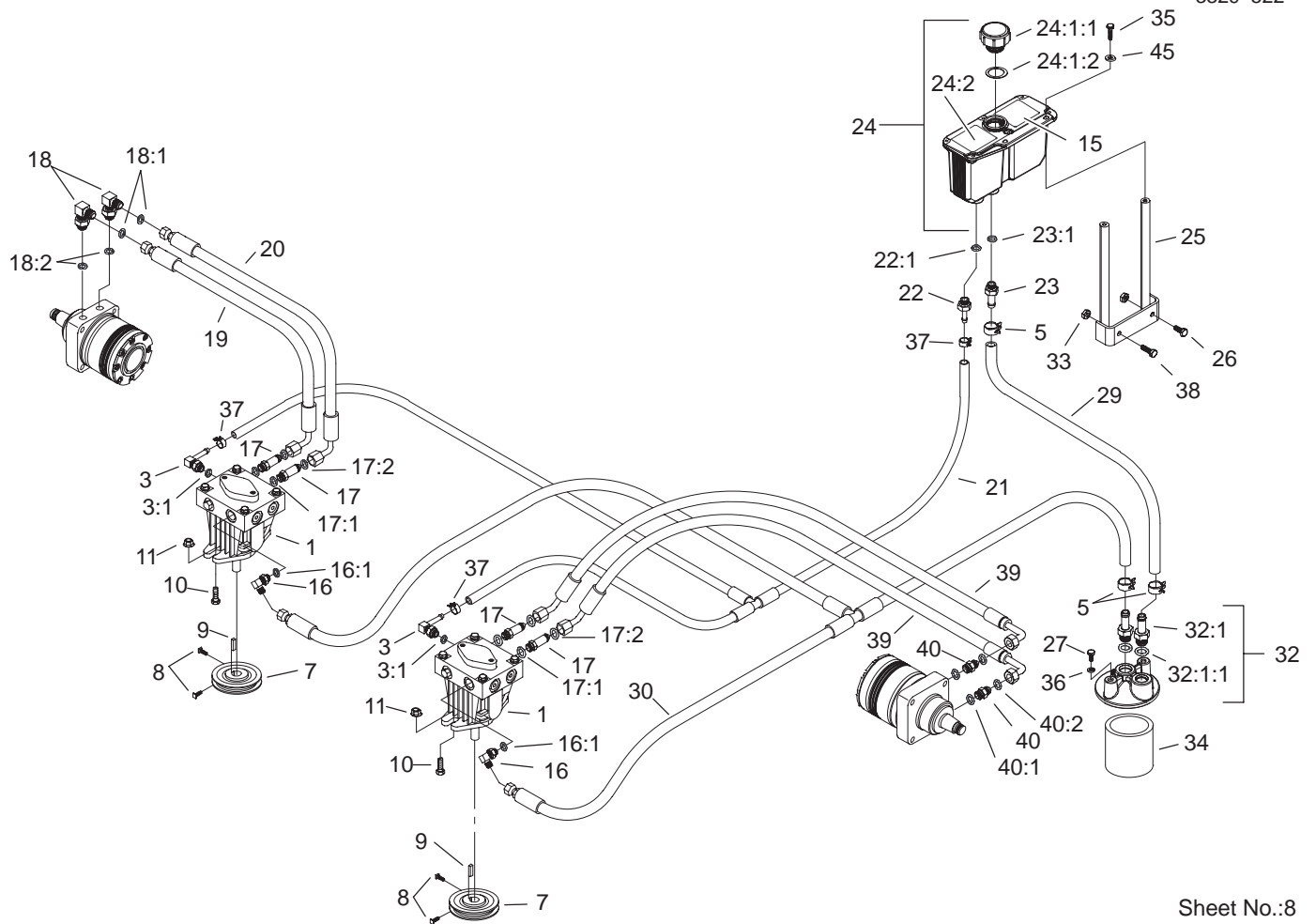
* Not illustrated



Motion Control System Assembly

Ref. No.	Part No.	Qty.	Description
1	1-403180	2	Screw-HH
2	1-653316	2	Pin-Damper
3	3256-23	4	Washer-Flat
4	32120-35	2	E-Ring
5	103-2913	2	Damper-Control, Motion
7	1-633102	4	Bearing-Flange, Side
8	103-2199	1	LH Motion Control ASM
9	32128-20	12	Nut-HF
10	103-3063	1	Tracking Rod ASM
10:1	1-543017	1	Balljoint-RH
10:2	3219-2	1	Nut-Hex
10:3	103-3060	1	Knob-Tracking
10:4	1-804524	2	Nut
10:5	1-323245	2	Spring-Compression
10:6	1-633152	1	Balljoint-Thread, LH
10:7	103-3066	1	Link-Rod, Tracking
11	3256-3	4	Washer-Flat
12	1-543017	1	Balljoint-RH
13	322-6	4	Screw-HH
14	3290-357	8	Nut-HHF
15	103-0631	1	LH Lever ASM
15:1	1-633257	1	Grip-Control, Motion
16	3219-2	7	Nut-Hex
17	103-3066	1	Link-Rod, Tracking

Ref. No.	Part No.	Qty.	Description
18	1-633152	1	Balljoint-Thread, LH
19	323-4	8	Screw-HH
20	103-3717	2	Arm,Pump Control
21	1-803022	2	Screw-Set
22	1-804524	1	Nut
23	103-2200	1	RH Motion Control ASM
24	3296-39	6	Nut-Lock, NI
25	103-0407	2	Arm-Shaft, Control
26	98-5975	4	Washer-Belleville
27	323-6	4	Screw-HH
28	103-0632	1	RH Lever ASM
28:1	1-633257	1	Grip-Control, Motion
30	323-9	6	Screw-HH
31	1-603737	2	Bolt-Return, Neutral
32	1-603807	2	Spring-Return, Neutral
33	1-603735	2	Bushing-Flanged
36	3256-2	2	Washer-Flat
37	3220-2	2	Nut
38	1-303105	2	Yoke-Adjustable
39	1-808280	2	Pin-Clevis
40	3272-5	2	Pin-Cotter



Sheet No.:8

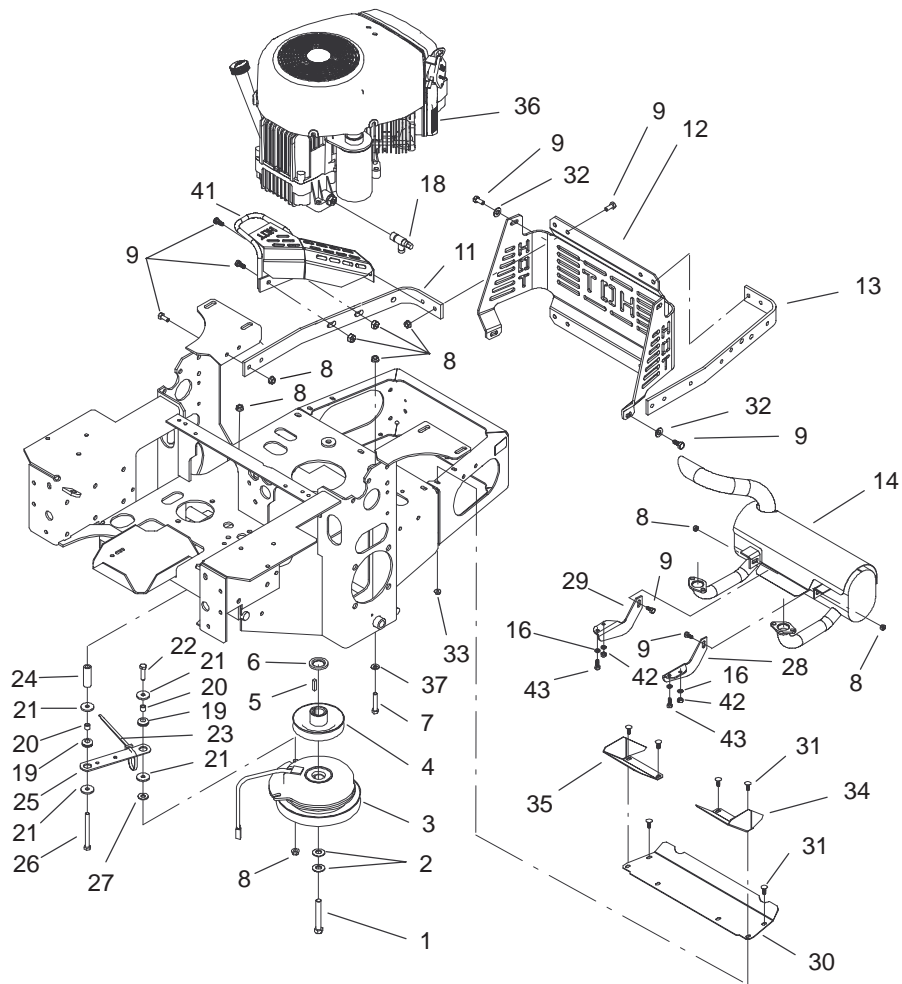
Hydraulic System Assembly

Ref. No.	Part No.	Qty.	Description
1	103-1942	2	Pump-Hydraulic
*1:1	105-6184	1	Seal Overhaul Kit
*1:2	105-6185	1	Plate-Valve
*1:8	103-2664	1	Input Shaft Kit
*1:9	94-6922	1	Bearing-Thrust
*1:10	103-2666	1	Cylinder Block Kit
*1:14	106-2053	1	Shock Valve Kit
3	103-1799	2	Elbow-90°
3:1	237-42	1	O-Ring
5	103-1988	3	Clamp-Hose
7	1-413010	2	Sheave W/Hub
8	1-803050	4	Screw-Set
9	1-807272	2	Key
10	323-7	4	Screw-HH
11	3290-357	4	Nut-HHF
15	103-2644	1	Decal-Exhaust
16	103-1802	2	Fitting-HYD, 90°
16:1	237-42	1	O-Ring
17	103-1940	4	Adapter-HYD, Straight
17:1	237-79	1	O-Ring
17:2	1-603992	1	O-Ring
18	1-633605	2	Fitting-HYD, 90°
18:1	1-603992	1	O-Ring
18:2	237-80	1	O-Ring
19	1-653186	1	Hose-Front
20	1-653187	1	Hose-RH, Rear

Ref. No.	Part No.	Qty.	Description
21	103-2357	1	HYD Hose ASM
22	103-1801	1	Adapter-Straight
22:1	237-42	1	O-Ring
23	103-1912	1	Adapter-Straight
23:1	237-42	1	O-Ring
24	103-1947	1	HYD Reservoir ASM
☆24:1		1	Reservoir-HYD
24:1:1	103-1948	1	Cap-Reservoir, HYD
24:1:2	103-1949	1	Gasket-Cap
24:2	1-523552	1	Decal-Tank, HYD
25	103-3071-03	1	Stand-Reservoir
26	322-3	1	Screw-HH
27	321-3	2	Screw-HH
29	103-3077	1	HYD Hose ASM
30	103-2930	1	HYD Hose ASM
32	103-2889	1	Filter Head ASM
32:1	103-1912	2	Adapter-Straight
32:1:1	237-42	1	O-Ring
33	32128-20	2	Nut-HF
34	1-633750	1	Filter-HYD
34	1-633752	1	Filter-HYD, Winter
35	321-6	2	Screw-HH
36	1-805004	2	Washer-Lock
37	103-1716	3	Clamp-Hose
38	322-5	1	Screw-HH
39	103-3809	2	Hose,LH 44/48

* Not illustrated

☆ Not serviced separately



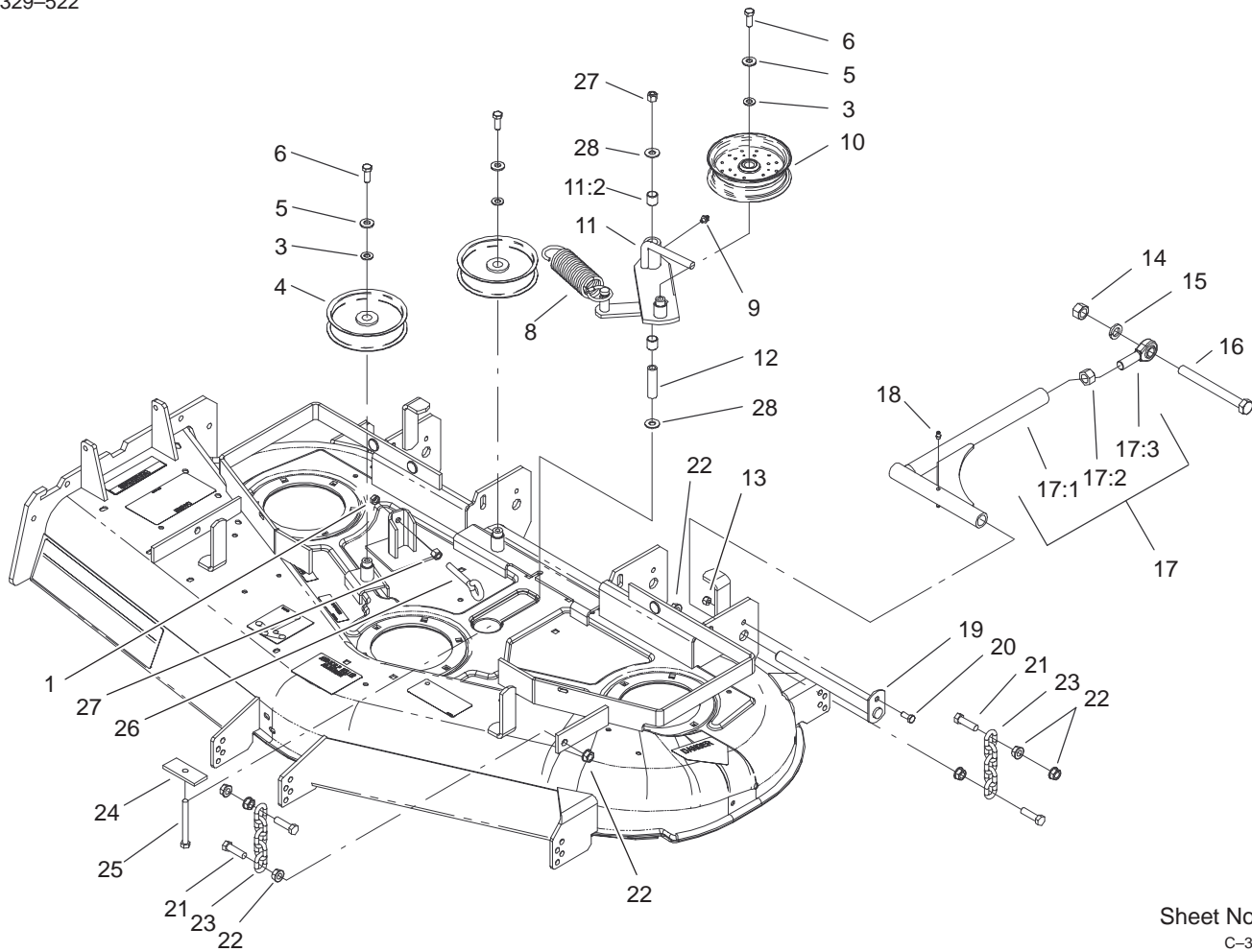
Sheet No.:10

Engine and Clutch Assembly

Ref. No.	Part No.	Qty.	Description
1	3212-10	1	Screw-HH
2	1-603610	2	Washer-Spring
3	103-0690	1	Clutch
4	1-653035	1	Sheave W/Hub
5	1-807259	1	Key
6	103-2308	1	Spacer-Crankshaft
7	322-9	4	Screw-HH
8	32128-20	33	Nut-HF
9	322-3	23	Screw-HH
11	103-3078-03	1	Strap-Guard, Engine RH
12	103-3219-03	1	Guard-Rear
13	103-3164-03	1	Strap-Guard, Engine LH
14	103-2760	1	Muffler
16	1-805004	4	Washer-Lock
18	103-1963	1	Valve-Drain, Oil
19	1-633630	2	Grommet-Brake
20	1-633545	2	Spacer-Grommet
21	1-613235	4	Washer
22	322-6	1	Screw-HH
23	1-303335	2	Tie-Plastic
24	103-2614	1	Spacer
25	1-633543-03	1	Strap-Clutch, Brake
26	322-22	1	Screw-HH
27	3256-3	3	Washer-Flat

Ref. No.	Part No.	Qty.	Description
28	103-2987-03	1	Bracket-Muffler, LH
29	103-2988-03	1	Bracket-Muffler, RH
30	103-2740-03	1	Deflector-Short
31	3229-10	6	Screw-CARR
32	3256-23	4	Washer-Flat
33	32128-33	6	Nut-HF
34	103-3094-03	1	Deflector-Air, LH
35	103-3095-03	1	Deflector-Air, RH
☆36		1	Engine-Kohler
37	1-303334	2	Washer-Spring
41	103-3218-03	1	Guard-Tailpipe
42	33013-00	2	Nut-Hex
43	33113-020	2	Screw-HH

☆ Not serviced separately

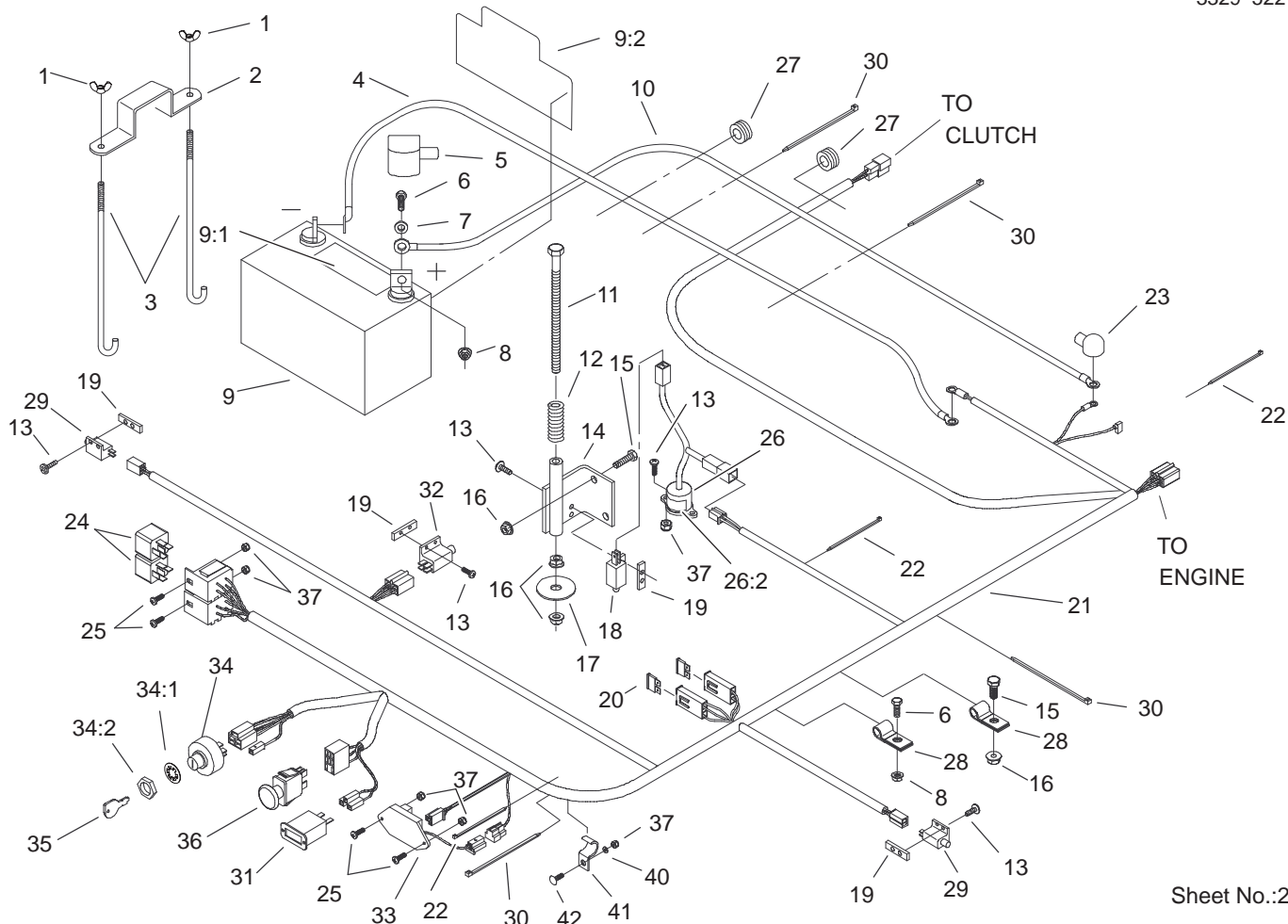


Sheet No.:16
C-3040

Idler, Pulley/Lift Strut, Chain Assembly

Ref. No.	Part No.	Qty.	Description
1	3217-7	1	Nut-Hex
3	3256-24	3	Washer-Flat
4	1-613098	2	Pulley-Idler
5	98-5975	3	Washer-Belleville
6	323-6	3	Screw-HH
8	103-3330	1	Spring-Extension
9	302-40	1	Fitting-Grease
10	1-413099	1	Pulley-Idler
11	99-3879	1	Idler Arm ASM
11:2	1-513034	2	Sleeve-Bearing
12	1-603384	1	Bushing-Pivot, Idler
13	3296-29	2	Nut-Lock, NI
14	3217-11	2	Nut-Hex
15	3253-8	2	Washer-Lock
16	1-800344	2	Screw
17	103-1081	2	Strut ASM
17:1	103-1072-01	1	Strut
17:2	3219-6	1	Nut-Hex
17:3	1-633029	1	Balljoint-Spherical
18	302-19	4	Fitting-Grease
19	1-632199-01	2	Pin-Strut
20	322-3	2	Screw-HH
21	1-800811	8	Screw-Cap, HH
22	32128-37	16	Nut-HF
23	1-633447	4	Chain-Lift, Deck
24	99-3946-01	1	Plate-Retainer, Bolt

Ref. No.	Part No.	Qty.	Description
25	1-800805	1	Screw-HH
26	94-2547	1	Bolt-Eye
27	3296-39	2	Nut-Lock, NI
28	1-809107	2	Washer-Hardened



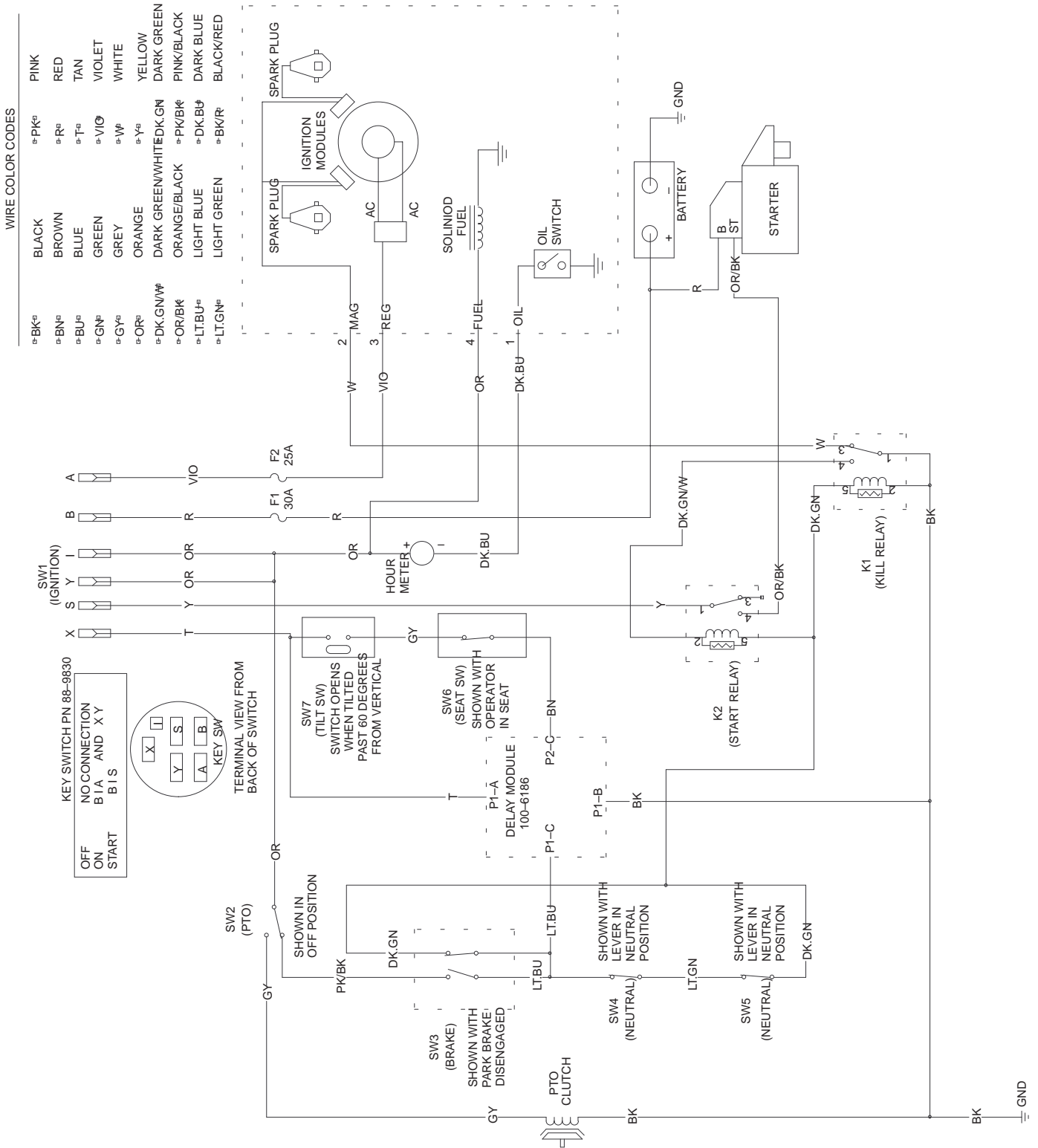
Sheet No.:21

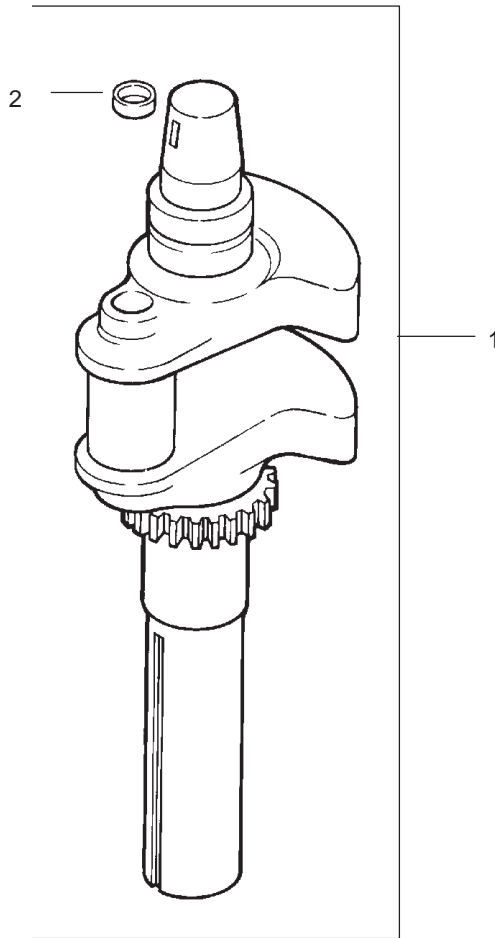
Electrical System Assembly

Ref. No.	Part No.	Qty.	Description
1	1-543792	2	Wingnut
2	1-633652-03	1	Strap-Holddown
3	1-633651	2	Bolt-Holddown
4	103-0705	1	Cable-Ground, Negative
5	1-543391	1	Insulator-Battery
6	321-4	3	Screw-HH
7	3256-2	2	Washer-Flat
8	32128-33	3	Nut-HF
9	105-1692	1	Battery
9:1	104-4163	1	Decal-Battery
9:2	104-4164	1	Decal-Battery
10	1-523281	1	Wire-Starter
11	1-800282	1	Screw-HH
12	1-523415	1	Spring-Switch, Seat
13	3290-500	10	Screw-PPH
14	1-652072-03	1	Bracket-Switch, Seat
15	322-3	3	Screw-HH
16	32128-20	5	Nut-HF
17	1-653036	1	Washer
18	1-513152	1	Switch-Closed, Normally
19	1-633181	4	Plate-Tapped
20	1-816001	2	Fuse-Type, Blade
21	103-0595	1	Harness-Wire
22	1-303287	2	Tie-Plastic

Ref. No.	Part No.	Qty.	Description
23	1-543393	1	Insulator-Solenoid
24	1-643275	2	Relay
25	1-807513	4	Bolt-CARR
26	1-644427	1	Tilt Switch ASM
26:2	1-643401	1	Decal-Switch, Mercury
27	1-543286	2	Grommet
28	1-633396	2	Clip-Loom
29	1-513051	2	Switch-Open, Normally
30	1-303335	4	Tie-Plastic
31	1-513374	1	Meter-Hour
32	1-633111	1	Switch
33	100-6186	1	Module-Delay, Seat
34	88-9830	1	Key Switch ASM
34:1	3254-5	1	Washer-Tooth
34:2	218-461	1	Nut-HH
35	63-8360	2	Key-Ignition
36	1-633673	1	Switch-Delta
37	3296-2	7	Nut-Lock
40	3256-14	1	Washer-Flat
41	103-1193	1	Clip-Half, Loom
42	1-807533	1	Bolt-CARR

Electrical Schematic



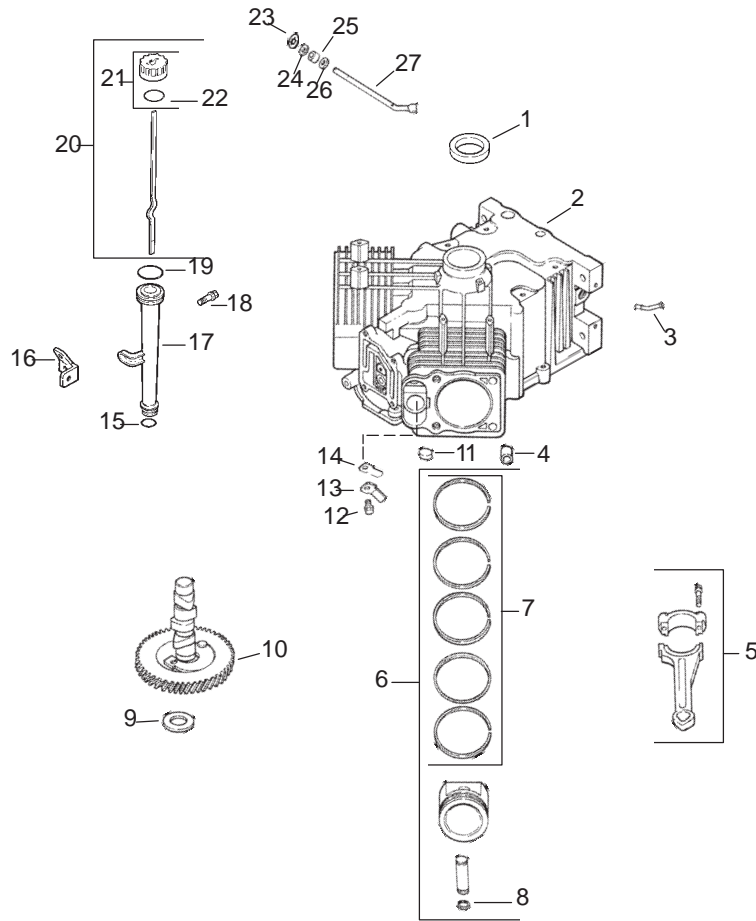


Crankshaft Assembly Kohler CV23S-75560

Ref. No.	Part No.	Qty.	Description
1	24 014 32-S	1	Crankshaft (Includes 2)
2	52 139 09-S	1	Plug, cup

Ref. No.	Part No.	Qty.	Description

Obtain Parts from Kohler

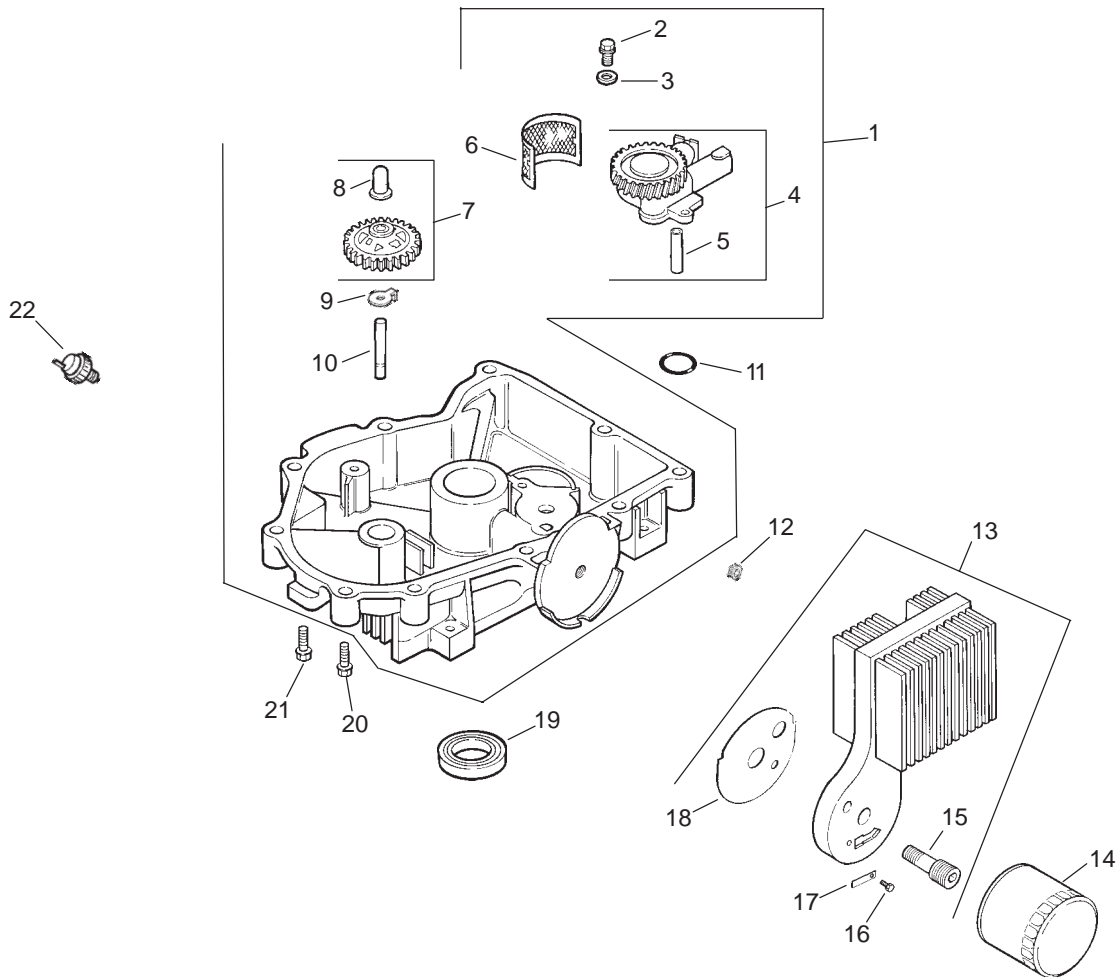


Crankcase Assembly Kohler CV23S-75560

Ref. No.	Part No.	Qty.	Description
1	24 032 01-S	1	Seal, oil front
2		1	Crankcase (Service with Miniblock 24 782 14)
3	24 294 13-S	1	Fitting
4	24 380 13-S	6	Pin, locating
5	24 067 13-S	2	Connecting Rod (Std.)
	24 067 14-S	2	Connecting Rod (.25)
6	24 874 09-S	2	Piston w/Ring Set (Std.) (Includes 7,8)
	24 874 10-S	2	Piston w/Ring Set (.25)
	24 874 11-S	2	Piston w/Ring Set (.50)
	24 874 15-S	2	Piston w/Ring Set (.08)
7	24 108 08-S	2	Ring Set (Std. & .08)
	24 108 09-S	2	Ring Set (.25)
	24 108 10-S	2	Ring Set (.50)
8	24 018 01-S	4	Retainer, piston pin
9	12 422 09-S	AR	Shim, camshaft - red
	12 422 13-S	AR	Shim, camshaft - black
	12 422 07-S	AR	Shim, camshaft - white
	12 422 08-S	AR	Shim, camshaft - blue
	12 422 10-S	1	Shim, camshaft - yellow

Ref. No.	Part No.	Qty.	Description
	12 422 11-S	AR	Shim, camshaft - green
	12 422 12-S	AR	Shim, camshaft - gray
10	24 012 10-S	1	Camshaft
11	52 139 09-S	1	Plug, cup
12	M-545010-S	2	Screw, hex. flange M5x0.8x10
13	24 018 04-S	2	Retainer, reed
14	24 402 05-S	2	Reed, breather
15	12 153 01-S	1	O-Ring, lower oil fill tube
16	24 126 19-S	1	Bracket, oil fill tube
17	12 123 04-S	1	Tube, oil fill
18	M-545016-S	1	Screw, hex. flange M5x0.8x16
19	12 153 02-S	1	O-Ring, upper oil fill tube
20	24 038 04-S	1	Dipstick assembly (Includes 21,22)
21	25 755 13-S	1	Kit, oil fill cap (Includes 22)
22	12 153 03-S	1	O-Ring, dipstick
23	24 018 09-S	1	Retainer, ring
24	M-931010-S	1	Washer, plain 9 mm

Obtain Parts from Kohler



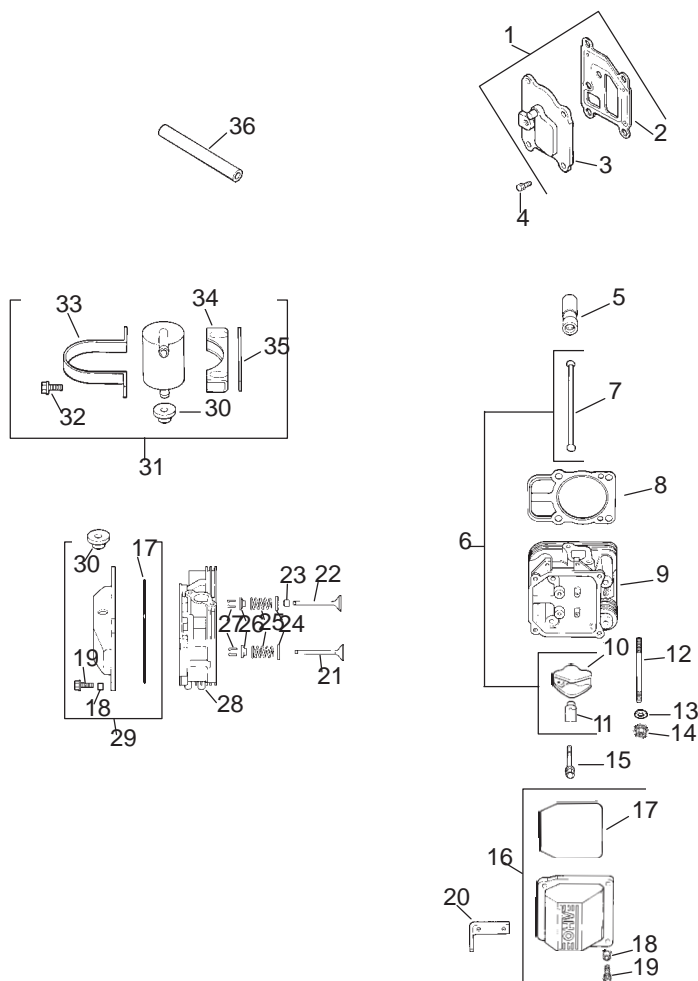
Oil Pan/Lubrication Assembly Kohler CV23S-75560

Ref. No.	Part No.	Qty.	Description
1	24 199 07-S	1	Pan, oil assembly (Includes 2-10)
2	M-645025-S	2	Screw, hex. flange M6x1.0x25
3	M-631005-S	2	Washer, plain 6 mm
4	24 393 08-S	1	Oil pump assembly (Includes 5)
5	24 123 05-S	1	Tube, oil pickup
6	24 162 26-S	1	Screen, oil
7	24 043 12-S	1	Kit, governor gear w/pin (Includes 8)
8	12 380 01-S	1	Pin, governor regulating
9	52 448 02-S	1	Tab, locking
10	12 144 02-S	1	Shaft, governor gear
11	24 153 08-S	1	O-Ring
12	25 139 62-S	1	Plug, hex. ctsk. 3/8"
13	24 755 52-S	1	Kit, oil cooler (Includes 15-18)
14	52 050 02-S	1	Filter, oil
15	28 136 01-S	1	Nipple, oil filter
16	M-448010-S	1	Screw, hex. cap M4x0.7x10
17	24 402 02-S	1	Reed, oil relief

Ref. No.	Part No.	Qty.	Description
18	24 041 29-S	1	Gasket, oil filter adapter
19	52 032 08-S	1	Seal, oil (PTO end)
20	24 086 17-S	1	Screw, hex. flange M8x1.25x45
21	24 086 16-S	9	Screw, hex. flange M8x1.25x45
22	24 099 03-S	1	Switch, pressure
*	25 113 05-S	1	Decal, oil sentry
*	12 454 03-S	1	Tie, wire

* Not Illustrated

Obtain Parts from Kohler

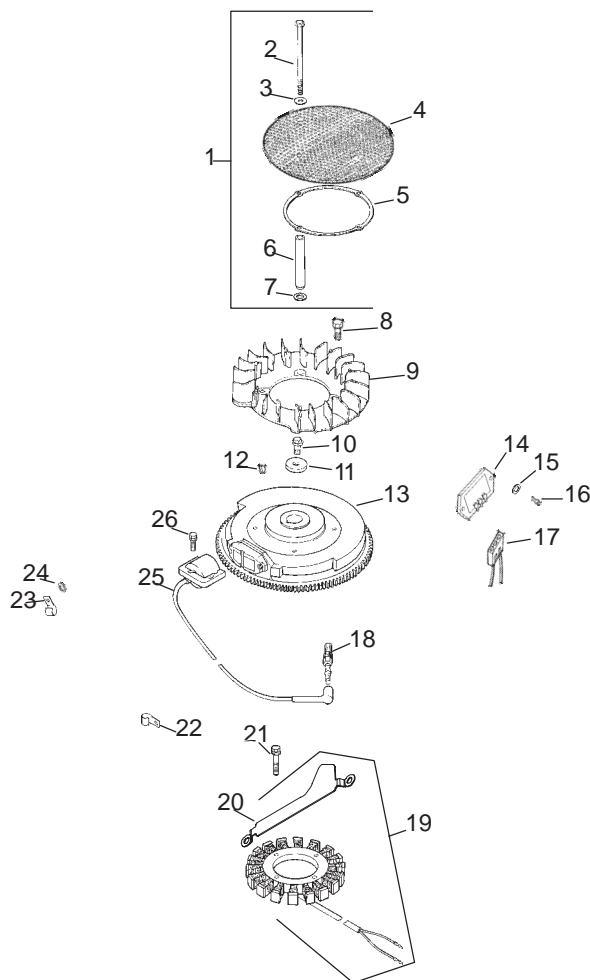


Head/Valve/Breather Assembly Kohler CV23S-75560

Ref. No.	Part No.	Qty.	Description
1	24 033 03-S	1	Kit, breather cover w/gasket (Includes 2,3)
2	24 041 23-S	1	Gasket, breather
3	24 096 59-S	1	Cover, breather
4	M-645020-S	4	Screw, hex. flange M6x1.0x20
5	25 351 01-S	4	Lifter, valve
6	24 755 66-S	1	Kit, valve train (Includes 7,10,11)
7	24 411 05-S	4	Rod, push
8	24 041 40-S	2	Gasket, cylinder head
9	24 318 70-S	1	Head assembly, #2 cylinder
10	25 186 01-S	4	Arm, rocker
11	24 599 01-S	4	Pivot, rocker arm
12	24 072 09-S	8	Stud, cylinder head M8x1.25x20, M10x1.5x33, 105 mm long
13	24 468 16-S	8	Washer, flat 8 mm
14	24 100 10-S	8	Nut, hex. flange M8x1.25
15	M-640034-S	4	Screw, hex. flange M6x1.0x34

Ref. No.	Part No.	Qty.	Description
16	24 755 74-S	1	Kit, valve cover – plain (Includes 17-19)
17	24 153 16-S	1	O-Ring
18	24 112 08-S	4	Spacer
19	M-651030-S	4	Screw, hex. flange M6x1.0x30
20	24 445 01-S	1	Strap, lifting
21	24 016 01-S	2	Valve, exhaust (Std.)
	24 016 02-S	2	Valve, exhaust (.25) (2)
22	24 017 01-S	2	Valve, intake (Std.)
	24 017 02-S	2	Valve, intake (.25)
23	66 032 05-S	2	Seal, valve stem
24	235011-S	4	Retainer, spring
25	24 089 02-S	4	Spring, valve
26	12 173 01-S	4	Cap, valve spring
27	12 755 03-S	4	Kit, retainer
28	24 318 67-S	1	Head assembly, #1 cylinder
29	24 755 76-S	1	Kit, valve cover – breather (Includes 17-19,30)
30	25 313 02-S	1	Grommet, rubber
31	24 755 57-S	1	Kit, breather separator (Includes 30,32-35)

Obtain Parts from Kohler

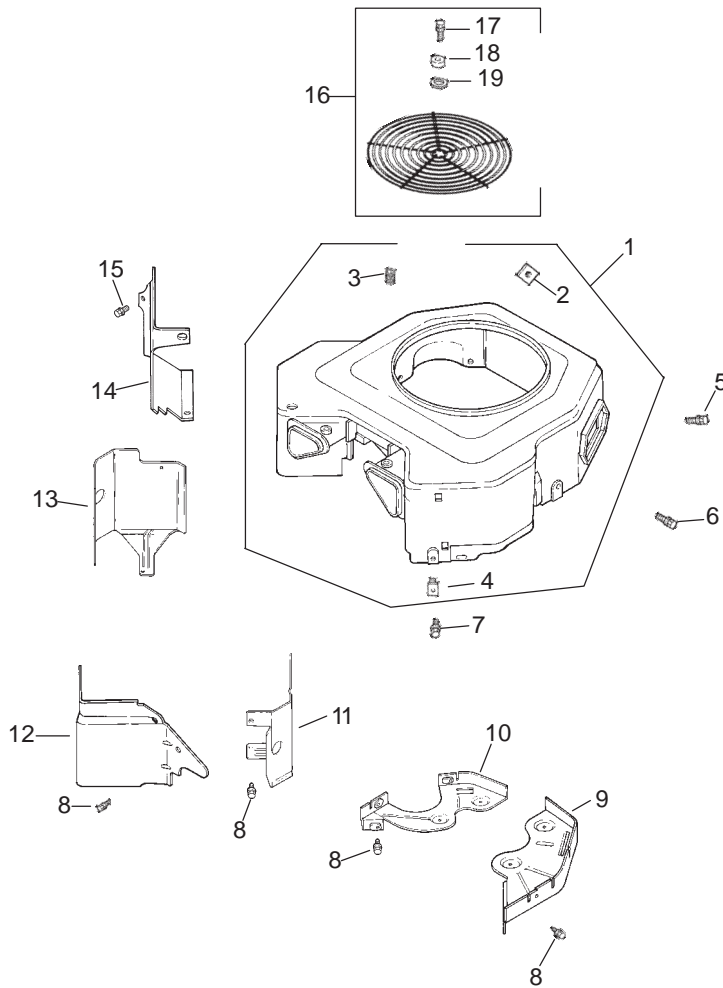


Ignition/Electrical Assembly Kohler CV23S-75560

Ref. No.	Part No.	Qty.	Description	Ref. No.	Part No.	Qty.	Description
1	24 755 79-S	1	Kit, chopper screen (Includes 2-7, 41 03710-S)	19	54 755 09-S	1	Kit, 15 amp stator (Includes 20)
2	M-603100-S	4	Screw, hex. hd. M6x1.0x100 (4)	20	24 126 71-S	1	Bracket, stator wire
3	X-25-53-S	1	Washer, plain	21	M-548025-S	2	Screw, hex. cap M5x0.8x25
4	24 162 25-S	1	Screen, grass	22	235173-S	1	Clip, cable
5	24 141 06-S	1	Ring, support	23	48 154 02-S	1	Clip, cable
6	24 112 14-S	4	Spacer	24	X-25-63-S	1	Washer, plain 1/4"
7	24 468 11-S	4	Washer, spring 10 mm	25	24 584 01-S	2	Module, ignition
8	25 086 47-S	4	Bolt, shoulder M6x1.0x16	26	M-561025-S	4	Screw, hex. flange M5x0.8x20
9	24 157 03-S	1	Fan	*	X-22-11-S	1	Washer, lock 1/4" (used to ground rectifier-regulator)
10	12 086 14-S	1	Screw, hex. flange M10x1.5x46	*	4 176 07-S	1	Harness, wiring
11	12 468 03-S	1	Washer, plain 3/8"	*	24 518 12-S	1	Lead, black (rectifier-regulator 5" - 12 gauge - insulated grip barrel eyelets)
12	X-42-15-S	1	Key	*	41 037 10-S	1	Nameplate, service
13	24 025 04-S	1	Flywheel	*	25 454 03-S	3	Tie, wire
14	25 403 03-S	1	Rectifier-regulator				
15	X-25-92-S	2	Washer, plain 3/16"				
16	24 086 18-S	2	Screw, phillips hd. 11-16x7/8				
17	236602-S	1	Connector (3 contact)				
18.	12 132 06-S	2	Spark Plug				

* Not Illustrated

Obtain Parts from Kohler

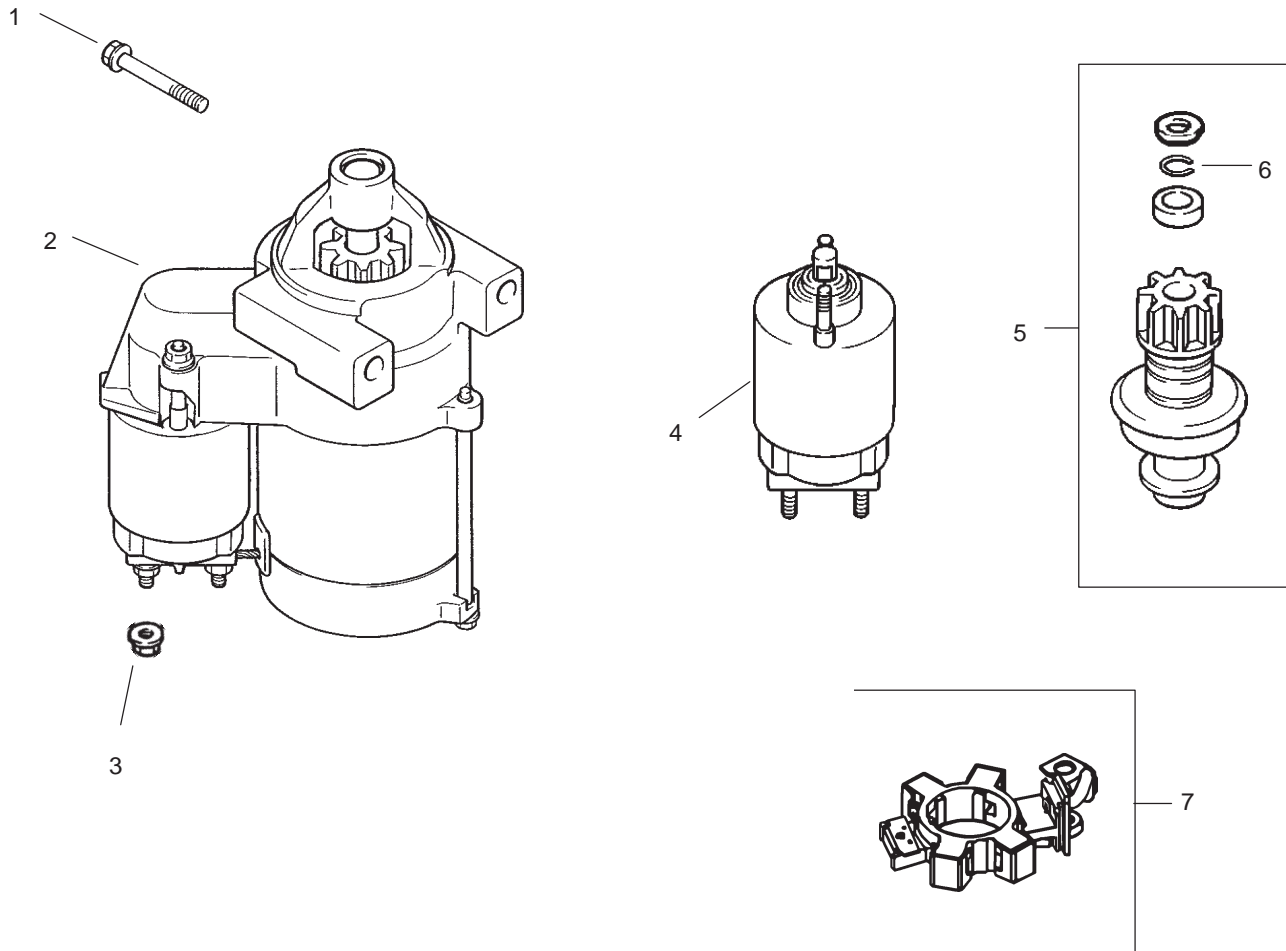


Blower Housing Assembly Kohler CV23S-75560

Ref. No.	Part No.	Qty.	Description
1	24 027 119-S	1	Housing, blower (Includes 2-4 & 24 332 01-S)
2	24 100 01-S	2	Nut, plastic
3	25 086 43-S	1	Screw, set
4	24 100 02-S	2	Nut, plastic
5	M-545016-S	3	Screw, hex. flange M5x0.8x16
6	M-551016-S	1	Screw, hex. flange M5x0.8x16
7	M-545020-S	4	Screw, hex. flange M5x0.8x20
8	M-645016-S	6	Screw, hex. flange M6x1.0x16
9	24 146 18-S	1	Plate, backing - # 2 side
10	24 146 20-S	1	Plate, backing - # 1 side
11	24 063 20-S	1	Baffle, cylinder barrel - # 2 side
12	24 063 14-S	1	Baffle, valley - #2 side
13	24 063 58-S	1	Baffle, cylinder barrel- # 1 side
14.	24 063 23-S	1	Baffle, valley - #1 side

Ref. No.	Part No.	Qty.	Description
15	M-545010-S	2	Screw, hex. flange M5x0.8x10
*	24 332 01-S	3	Insert, threaded
*	24 096 85-S	1	Cover, blower housing (Used to guide breather hose through opening in blower housing)
*	24 113 90-S	1	Decal, 23 HP

* Not Illustrated
Obtain Parts from Kohler

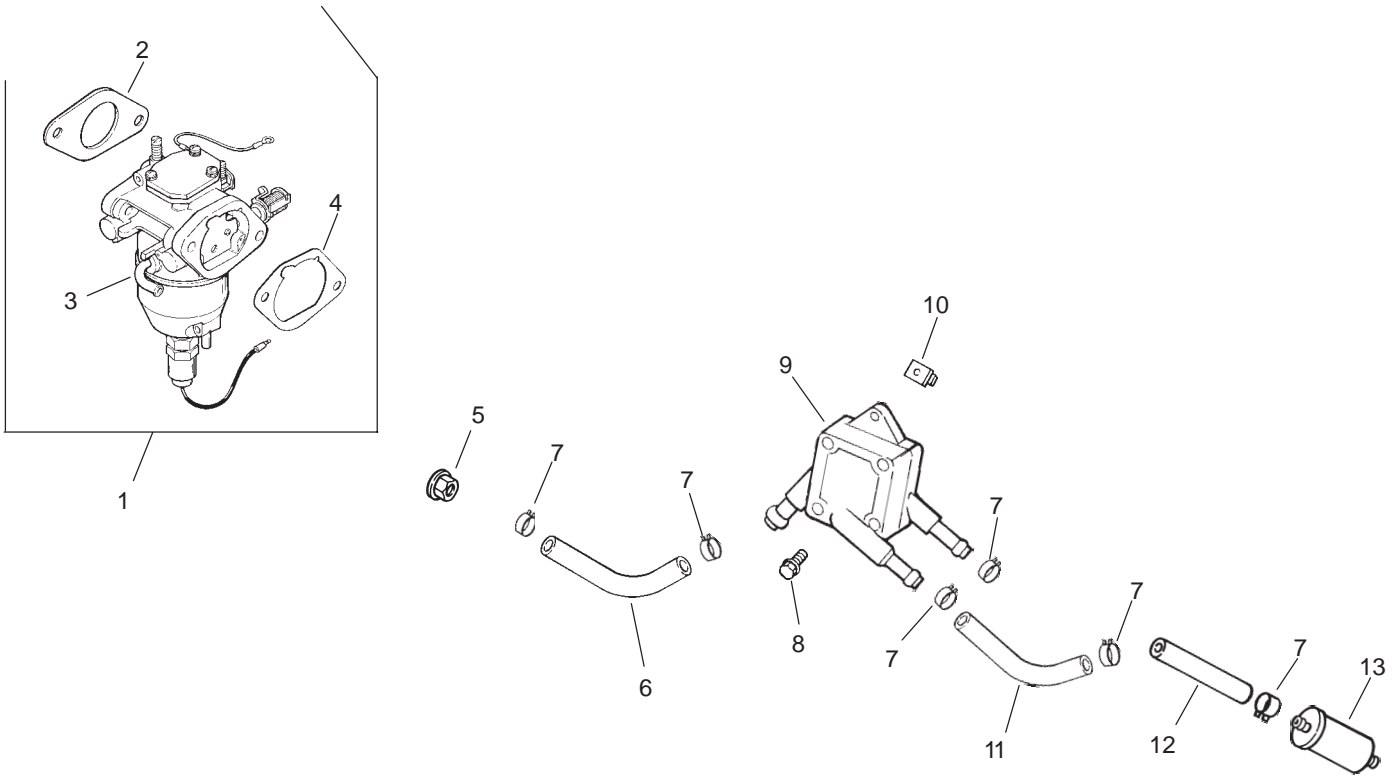


Starter Assembly Kohler CV23S-75560

Ref. No.	Part No.	Qty.	Description
1	M-839080-S	2	Screw, hex. flange M8x1.25x80
2	25 098 08-S	1	Starter, solenoid (Includes 4-7)
3	M-841080-S	1	Nut, hex. flange M8x1.25
4	25 435 04-S	1	Solenoid
5	25 755 33-S	1	Kit, pinion drive (Includes 6)
6	25 141 05-S	1	Ring
7	25 221 01-S	1	Kit, brush

Ref. No.	Part No.	Qty.	Description

Obtain Parts from Kohler

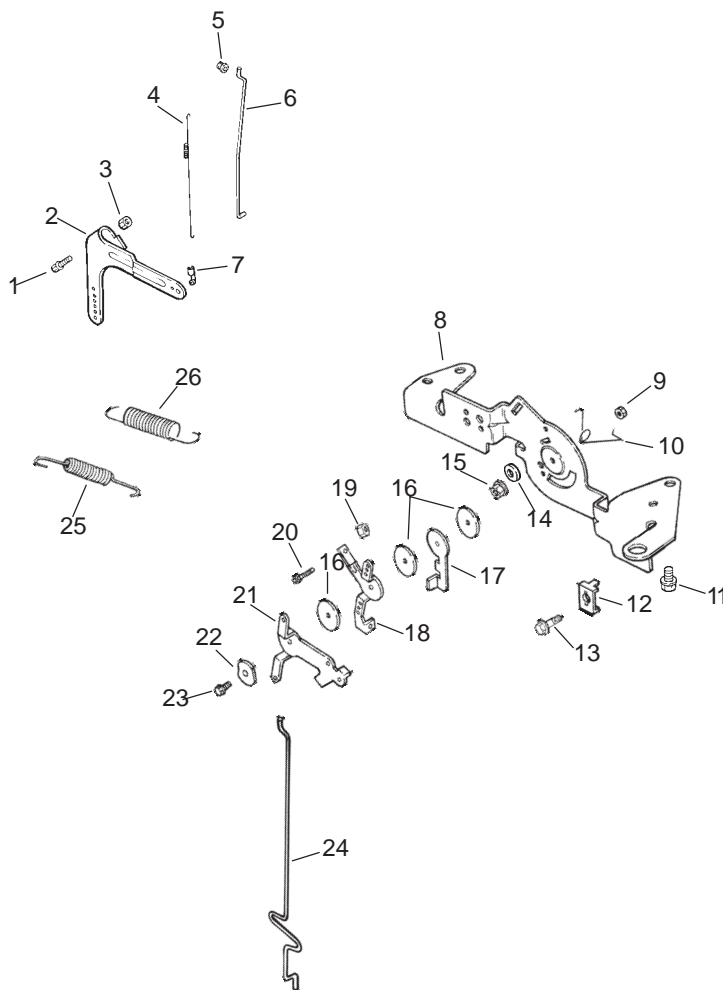


Fuel System Assembly Kohler CV23S-75560

Ref. No.	Part No.	Qty.	Description
1	24 853 95-S	1	Kit, carburetor w/gaskets (Includes 2-4)
2	24 041 15-S	1	Gasket, carburetor
3	24 053 95	1	Carburetor assembly (For information only not available separately) (Service with kits 24 757 36-S & 24 757 38-S)
4	24 041 14-S	1	Gasket, air cleaner base
5	M-641060-S	2	Nut, hex. flange M6x1.0
6	52 353 22-S	1	Line, fuel 12"
7	25 237 14-S	6	Clamp, hose
8	24 086 12-S	2	Screw, hex. cap M6x1.7x18
9	24 393 16-S	1	Pump, fuel
10	24 100 01-S	2	Nut, plastic
11	24 353 03-S	1	Line, fuel 10-5/8"
12	25 353 32-S	1	Line, fuel 9-1/2"
13.	25 050 03-S	1	Filter, fuel

Ref. No.	Part No.	Qty.	Description
*	24 431 03-S	1	Sleeve, insulating (use to insulate 25 353 32-S fuel line)
*	24 757 36-S	1	Kit, service choke repair
*	24 757 38-S	1	Kit, service gasket repair

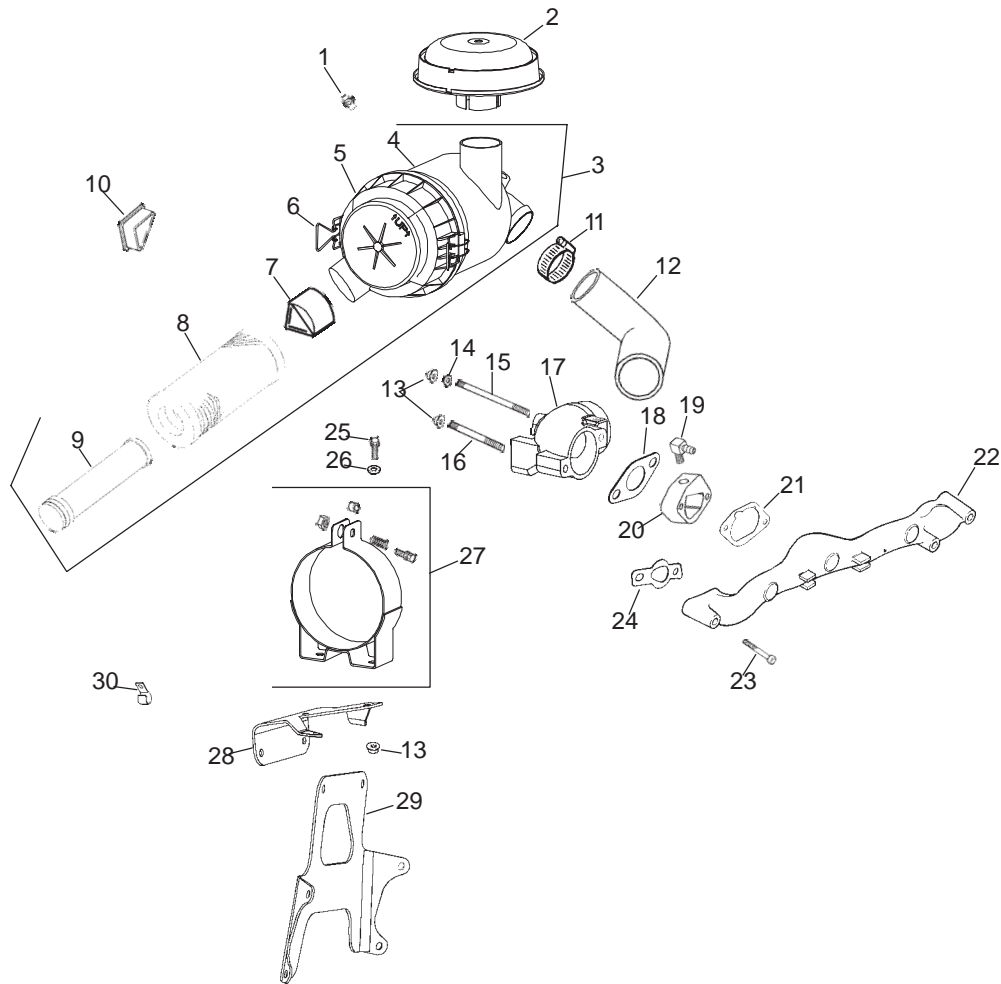
* Not Illustrated
Obtain Parts from Kohler



Engine Control Assembly Kohler CV23S-75560

Ref. No.	Part No.	Qty.	Description	Ref. No.	Part No.	Qty.	Description
1	24 211 03-S	1	Bolt, rd. hd. sq. neck M6x1.0x25	18	24 090 03-S	1	Lever, throttle control
2	24 090 33-S	1	Lever, governor	19	M-446030-S	1	Nut, hex. M4x0.7
3	M-641060-S	1	Nut, hex. flange M6x1.0	20	M-403025-S	1	Screw, hex. flange M4x0.7x25
4	24 089 01-S	1	Spring, linkage	21	24 090 05-S	1	Lever, choke
5	25 158 08-S	1	Bushing, linkage retaining	22	41 468 03-S	1	Washer, wave
6	24 079 04-S	1	Linkage, throttle	23	M-545020-S	1	Screw, hex. flange M5x0.8x20
7	25 158 11-S	1	Bushing, throttle linkage	24	24 079 05-S	1	Linkage, choke
8	24 126 56-S	1	Bracket, control	25	24 089 51-S	1	Spring, throttle limiter
9	M-547050-S	1	Nut, hex. flange	26	24 089 46-S	1	Spring, governor
10	24 089 03-S	1	Spring, choke				
11	M-645016-S	4	Screw, hex. flange M6x1.0x16				
12	12 237 01-S	2	Clamp, cable				
13	M-545016-S	3	Screw, hex. flange M5x0.8x16				
14	X-20-1-S	1	Washer, lock				
15	M-541050-S	1	Nut, hex. flange M5x0.8				
16	24 468 01-S	3	Washer				
17.	24 090 07-S	1	Lever, throttle actuator				

Obtain Parts from Kohler



Air Intake/Filtration Assembly Kohler CV23S-75560

Ref. No.	Part No.	Qty.	Description
1	25 139 20-S	1	Plug, pipe
2	25 324 02-S	1	Hood, air cleaner
3	25 048 07-S	1	Assembly, air cleaner (Includes 4-9)
4	25 081 01-S	1	Housing, heavy duty air cleaner
5	25 096 06-S	1	Cover assembly, plastic air cleaner
6	25 154 05-S	2	Clip
7	24 462 07-S	1	Valve, dust ejector
8	25 083 01-S	1	Element, air cleaner primary
9	25 083 04-S	1	Element, air cleaner safety
10	24 096 17-S	2	Cover, blower housing
11	25 237 07-S	2	Clamp, hose
12	24 326 53-S	1	Hose, air cleaner
13	M-647060-S	4	Nut, hex. lock M6x1.0x60
14	25 468 01-S	1	Washer, copper 1/4
15	24 072 10-S	1	Stud M6x1.0x180
16	M-629140-S	1	Stud, carburetor M6x1.0x40

Ref. No.	Part No.	Qty.	Description
17	24 029 43-S	1	Adapter, elbow
18	24 041 44-S	1	Gasket, air cleaner adapter
19	25 155 38-S	1	Connector, hose
20	24 029 44-S	1	Adapter, breather fitting
21	24 041 14-S	1	Gasket, air cleaner base
22	24 164 06-S	1	Manifold, intake
23	25 086 84-S	4	Screw, hex. flange M6x1.0x55
24	24 041 01-S	2	Gasket, intake manifold
25	M-639016-S	2	Screw, hex. flange M6x1.0x16
26	X-25-73-S	2	Washer, plain 1/4
27	25 126 02-S	1	Bracket, air cleaner
28	24 126 104-S	1	Bracket, air cleaner mounting
29	24 126 105-S	1	Bracket, main support
30	47 154 01-S	1	Clip, cable
*	25 113 27-S	1	Decal, air cleaner
*	25 454 04-S	1	Tie, wire

* Not Illustrated
Obtain Parts from Kohler

