



Z287L

Z Master[®] with 62in SFS Side Discharge Mower

Model No. 74213—230006001 and Up

Model No. 74236—230006001 and Up

Parts Catalog

Ordering Replacement Parts

To order replacement parts, please supply: the part number, the quantity, and the description of each part desired.

Understanding Reference Numbers

Each identified part in an illustration has a reference number. The reference number for a part also appears in the parts list, along with other information about the part.

This catalog uses two special reference number formats, one to indicate parts in a service assembly and another to indicate the quantity of a given part in an illustration.

Service Assembly Reference Numbers

Parts in service assemblies have reference numbers in the form **a:b**. The **a** represents the reference number of the entire service assembly and the **b** represents a sequential number unique to each part within the service assembly.

For example, a wheel assembly might be identified by reference number **6**, the tire by **6:1**, the valve by **6:2**, and the wheel by **6:3**. When you order the assembly identified by reference number **6**, you receive all parts identified by reference numbers **6:1**, **6:2**, and **6:3**. However, you may also order any part individually.

Reference numbers of this type appear in illustrations and in part lists.

Reference Numbers Indicating Quantity

In an illustration, if a reference number indicates more than one part, the reference number has the form **nX y**. The **n** represents the quantity of the part, the **X** is the multiplication symbol, and the **y** represents the reference number.

For example, in an illustration, the reference number **2X 37** means that two of the parts identified by reference number **37** are indicated.

Contents

Description	Page	Description	Page
Front Frame Assembly	4	Electrical Schematic	28
Caster and Wheel Assembly	5	Cylinder/Crankcase Assembly	
Main Frame Assembly	6	Kawasaki FD750D–AS03	29
Brake and Wheel Hub Assembly	7	Piston/Crankshaft Assembly	
Steering Controls Assembly	8	Kawasaki FD750D–AS03	30
Hydraulic System Assembly	9	Valve/Camshaft Assembly	
Seat Assembly	11	Kawasaki FD750D–AS03	31
Seat Assembly No. 99–8522 (only on: 74213) .	12	Lubrication Equipment Assembly	
Seat Assembly No. 1–633705 (only on: 74236)	13	Kawasaki FD750D–AS03	32
Deck Connection Assembly	14	Cooling Equipment Assembly	
Drive Idler Assembly	15	Kawasaki FD750D–AS03	33
Z Stand® Assembly	16	Electric Equipment Assembly	
Engine, Clutch and Air Cleaner Assembly	17	Kawasaki FD750D–AS03	34
Cooling System Assembly	18	Control Equipment Assembly	
Hood Assembly	19	Kawasaki FD750D–AS03	35
Cooling Mounting Frame Assembly	20	Carburetor Assembly	
Fuel System Assembly	21	Kawasaki FD750D–AS03	36
Electrical System Assembly	22	Air Filter/Muffler Assembly	
Deck and Wheel Gage Assembly	24	Kawasaki FD750D–AS03	37
Deck Assembly No. 106–5864	25	Fuel Tank/Fuel Valve Assembly	
Spindle and Pulley Assembly	26	Kawasaki FD750D–AS03	38
Belt and Idler Arm Assembly	27	Starter Assembly	
		Kawasaki FD750D–AS03	39

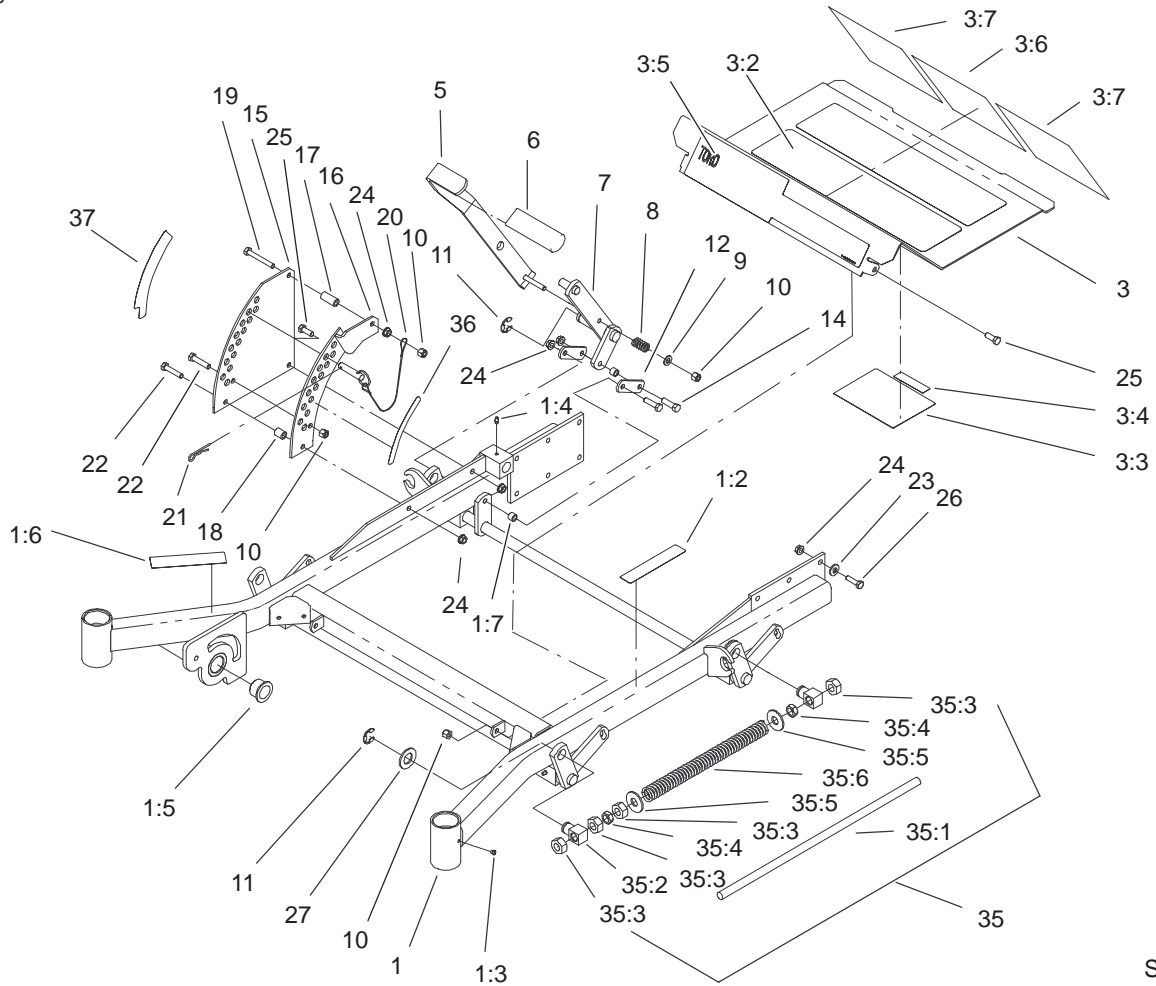
Accessories

Description	Model / Part No.	Description	Model / Part No.
Striping Kit	30163	Seat Suspension Kit (For 74236)	99–8522
Hitch Kit	99–8925	DFS Bagger	78491
Atomic Blade	104–1303	Boot and Tube Kit (For DFS Bagger)	78495
Z Recycler Kit (62in)	100–9600	ROPS	TORO Dealer

Part Description Abbreviations

Part descriptions in this catalog may include the following abbreviations.

Abbreviation	Meaning	Abbreviation	Meaning
AR	as required	HYD	hydraulic
ASM	assembly	INC	incorporated
CARR	carriage	LH	left hand
DEG	degrees	NI	nylon insert
FH	flat head	PPH	Phillips pan head
GA	gauge	PTH	Phillips truss head
HF	hex flange	PTO	power take off
HH	hex head	RH	right hand
HHF	hex head flange	SFH	slotted fillister head
HLH	hex lag head	SHH	slotted hex head
HJ	hex jam	SQH	square head
HOC	height-of-cut	SHWH	slotted hex washer head
HS	hex socket	SPH	slotted pan head
HSBH	hex socket button head	SRH	slotted round head
HSFH	hex socket flat head	STD	standard
HSH	hex socket head	TAP	self tapping
HWH	hex washer head	TTH	Torx truss head
HWHTF	hex washer head thread forming	WH	wing head



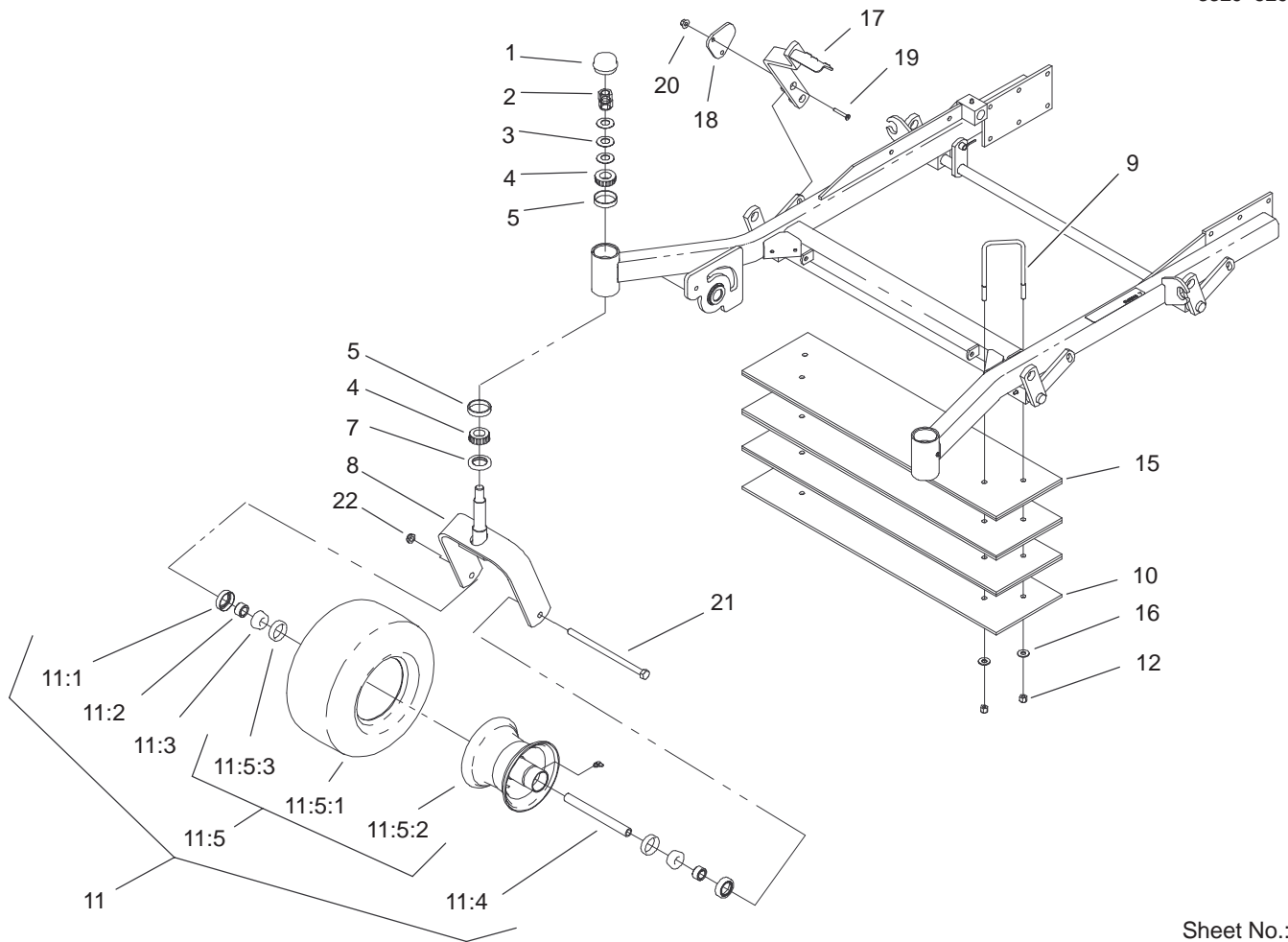
Sheet No.:2

Front Frame Assembly

Ref. No.	Part No.	Qty.	Description
1	104-5132	1	Frame ASM
1:2	1-633818	1	Decal-Warning
1:3	1-811010	2	Plug
1:4	302-19	5	Fitting-Grease
1:5	94-1291	2	Bushing-Special
1:6	104-7759	1	Decal-Warning
1:7	103-1918	1	Bushing
3	106-6587	1	Floorpan ASM
3:2	1-633553	2	Pad-Antiskid
3:3	1-633766	1	Decal-Check
3:4	98-5954	1	Decal-Missing, Cover
3:5	1-633737	1	Decal-Z Master
3:6	106-6571	1	Decal - Danger, Slope
3:7	106-6572	2	Pad, Anti Skid
5	103-2083-03	1	Lever-Lift
6	1-633295	1	Grip-Lever, Lift
7	103-2064-03	1	Arm-Lift, Deck
8	1-633325	1	Spring-Compression
9	3256-24	1	Washer-Flat
10	3296-39	5	Nut-Lock, NI
11	32151-103	5	Ring-Snap
12	1-633068	2	Arm-Lift, Deck
14	323-29	2	Screw-HH
15	1-633889-01	1	Plate-Lift, Deck
16	1-632899-01	1	Plate-Lift, Deck
17	1-633082	1	Bushing-Lever, Lift

Ref. No.	Part No.	Qty.	Description
18	1-633080	1	Bushing-Lever, Lift
19	323-13	1	Screw-HH
20	1-633097	1	Pin-Hitch W/Lanyard
21	1-806005	1	Pin-Hair
22	323-9	2	Screw-HH
23	98-5975	12	Washer-Belleville
24	3290-357	17	Nut-HHF
25	323-6	3	Screw-HH
26	323-7	12	Screw-HH
27	3256-29	4	Washer-Flat
☆35		2	Front Frame Spring ASM
35:1	1-633096	1	Rod-Lift, Deck
35:2	1-633441	2	Swivel-Deck Mount, Rear
35:3	3217-11	4	Nut-Hex
35:4	3218-6	2	Nut-Jam
35:5	3256-7	2	Washer-Flat
35:6	1-633064	1	Spring-Support, Deck
36	1-633706	1	Decal-Height, Deck
37	1-633345	1	Decal-Height, Deck

☆ Not serviced separately



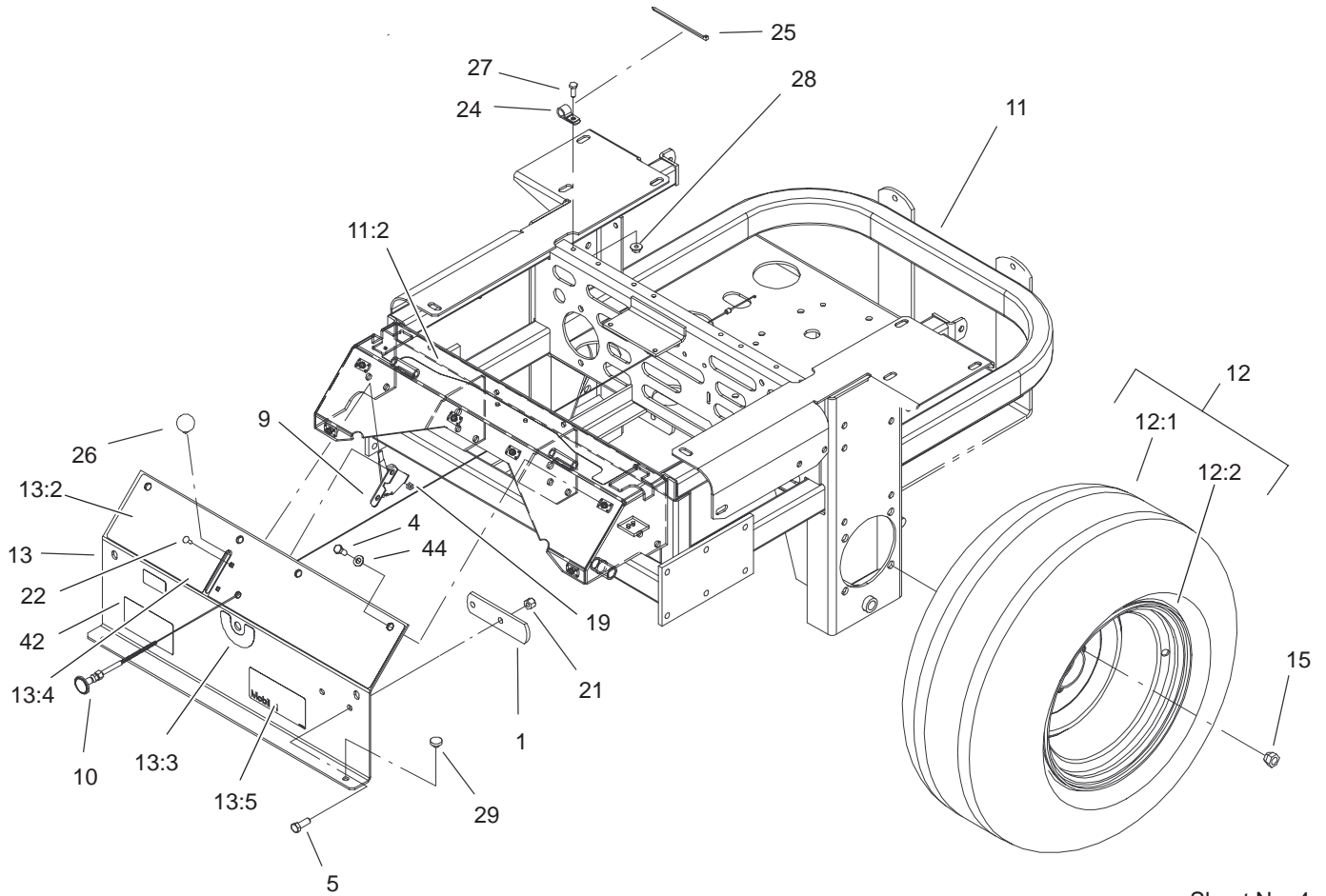
Sheet No.:3

Caster and Wheel Assembly

Ref. No.	Part No.	Qty.	Description
1	1-543513	2	Cap-Grease
2	3296-51	2	Nut-Lock, NI
3	1-633508	6	Washer-Bellville
4	254-94	4	Bearing-Cone, Taper
5	254-72	4	Bearing-Cup, Tapered
7	1-543511	2	Seal-Grease
8	103-1474-01	2	Fork-Caster
9	100-2339	2	U-Bolt
10	100-2333-01	1	Bar-Weight
11	1-644251	2	Caster Wheel ASM
11:1	1-633580	2	Seal-Bearing
11:2	1-633581	2	Spacer-Bearing
11:3	1-633585	2	Bearing-Cone, Taper
11:4	1-633959	1	Spacer-Caster, Front
☆ 11:5		1	Wheel And Tire ASM
11:5:1	1-523009	1	Tire
11:5:2	1-633987	1	Wheel
11:5:3	1-633584	2	Bearing-Cup
12	3296-39	4	Nut-Lock, NI
15	99-4646-01	3	Weight Bar ASM
16	3256-4	4	Washer-Flat
17	100-4333-01	1	Lever-Lift, Deck
18	1-643220-01	1	Strap
19	3289-7	2	Screw
20	32128-20	2	Nut-HF

Ref. No.	Part No.	Qty.	Description
21	325-39	2	Screw-HH
22	3296-45	2	Nut-Lock, NI

☆ Not serviced separately

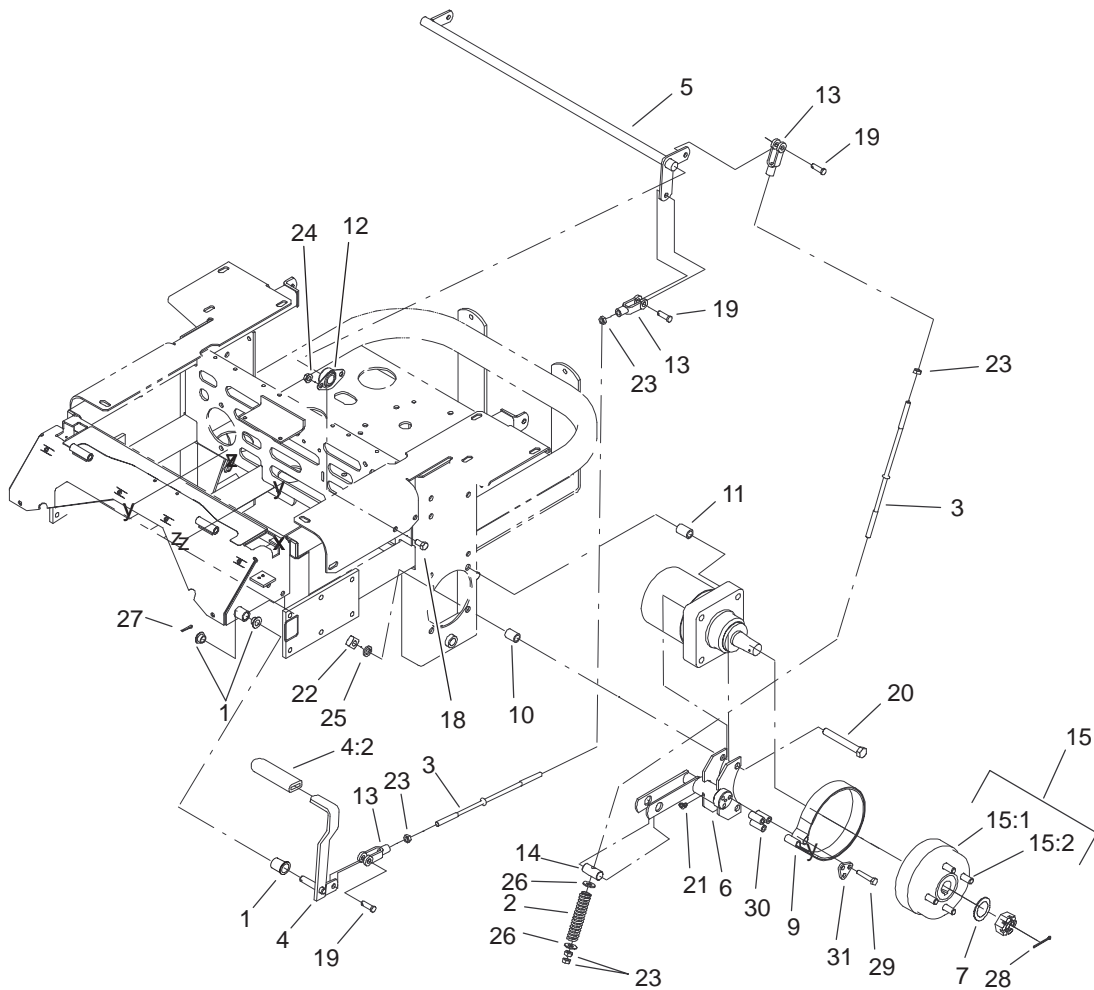


Sheet No.:4

Main Frame Assembly

Ref. No.	Part No.	Qty.	Description
1	1-633964-03	1	Stop-Brake, Park
4	322-3	6	Screw-HH
5	323-6	2	Screw-HH
9	1-633696	1	Cable-Throttle
10	1-603336	1	Control-Choke
11	105-3648	1	Main Frame ASM
11:2	103-2433	1	Decal-Console, Top
12	1-633970	2	Wheel And Tire ASM
12:1	1-633993	1	Tire
12:2	1-633992	1	Wheel
13	106-6584	1	Console ASM
13:2	106-6570	1	Decal-Control Panel
13:3	103-0262	1	Decal-Valve, Fuel
13:4	98-4387	1	Decal-Protection, Ear
13:5	104-8172	1	Decal-Mobil 1
15	242-50	8	Nut-Lug
19	3296-2	2	Nut-Lock
21	3296-39	2	Nut-Lock, NI
22	1-807513	2	Bolt-CARR
24	1-513762	1	Clip-Loom
25	1-303335	1	Tie-Plastic
26	1-513592	1	Knob-Ball
27	321-4	1	Screw-HH
28	32128-33	1	Nut-HF
29	1-513658	2	Bumper-Catcher, Grass

Ref. No.	Part No.	Qty.	Description
42	104-7787	1	Decal-Z287I
44	3256-23	6	Washer-Flat

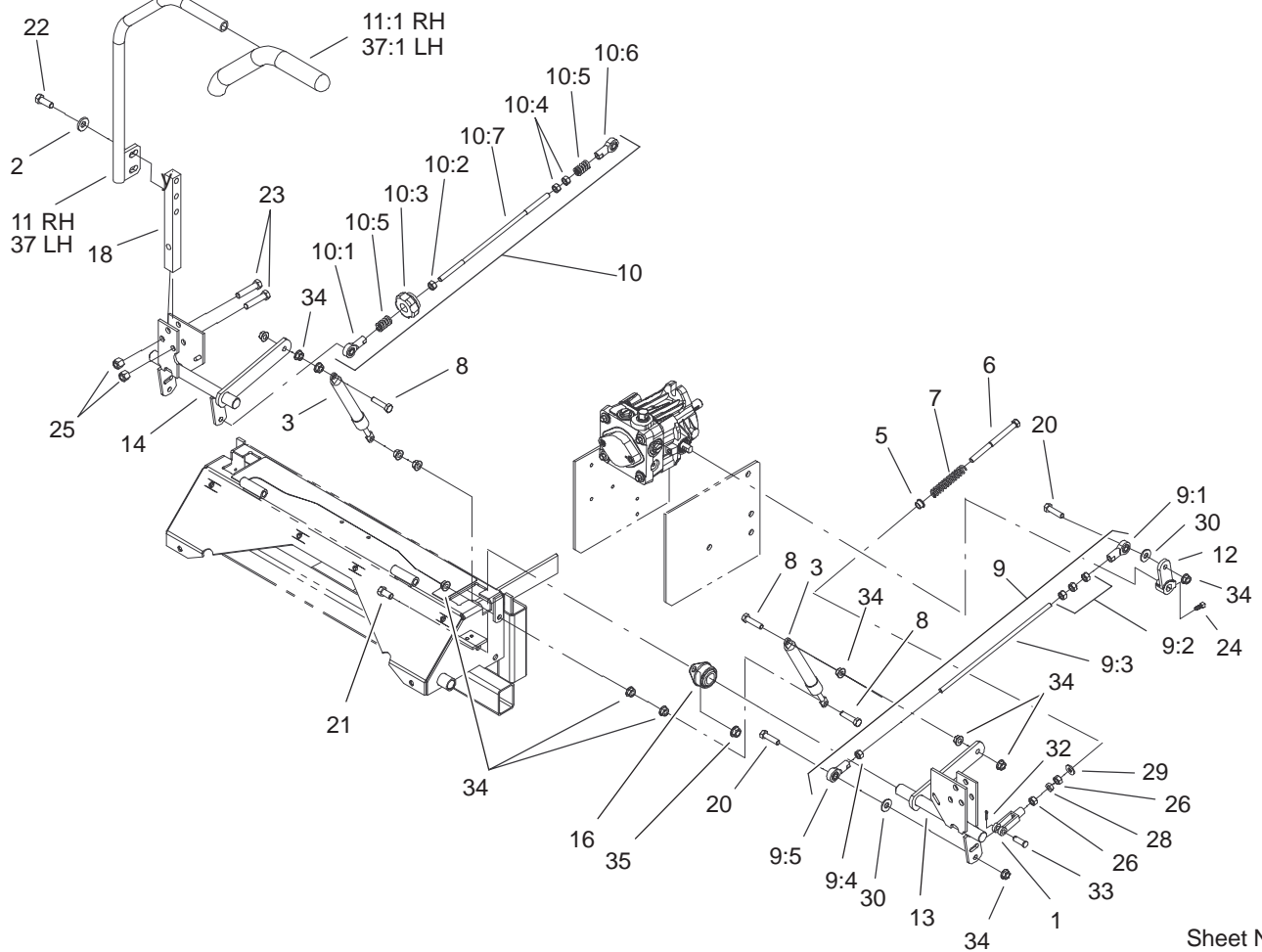


Sheet No.:5

Brake and Wheel Hub Assembly

Ref. No.	Part No.	Qty.	Description
1	1-513140	2	Bearing-Control
2	1-633454	2	Spring-Brake
3	1-633477	3	Rod-Brake
4	1-634500	1	Brake Lever ASM
4:2	1-633268	1	Grip-Lever, Brake
5	1-632217-03	1	Shaft-Brake
6	103-0352-03	2	Bracket-Brake
7	1-523157	2	Washer-Spacer
9	103-0355	2	Band-Brake
10	1-633380	4	Spacer-Wheel, Short
11	1-633382	4	Spacer-Wheel, Long
12	1-633102	2	Bearing-Flange, Side
13	1-633131	4	Yoke-Linkage, Brake
14	1-633144	2	Pin-Trunion
15	103-0590	2	Hub-Wheel
15:1	103-0589	1	Hub-Wheel
15:2	1-633926	4	Stud-Wheel
18	323-4	4	Screw-HH
19	103-2399	4	Pin-Spring, Clevis
20	325-17	8	Screw-HH
21	1481	2	Fitting-Grease
22	103-0131	8	Nut-Square
23	3219-3	8	Nut-HH
24	3290-357	4	Nut-HHF
25	3253-7	8	Washer-Lock
26	3256-4	4	Washer-Flat

Ref. No.	Part No.	Qty.	Description
27	3272-10	1	Pin-Cotter
28	1-806800	2	Pin-Cotter
29	322-9	6	Screw-HH
30	103-0384	6	Spacer
31	103-0374	2	Retainer-Band, Brake

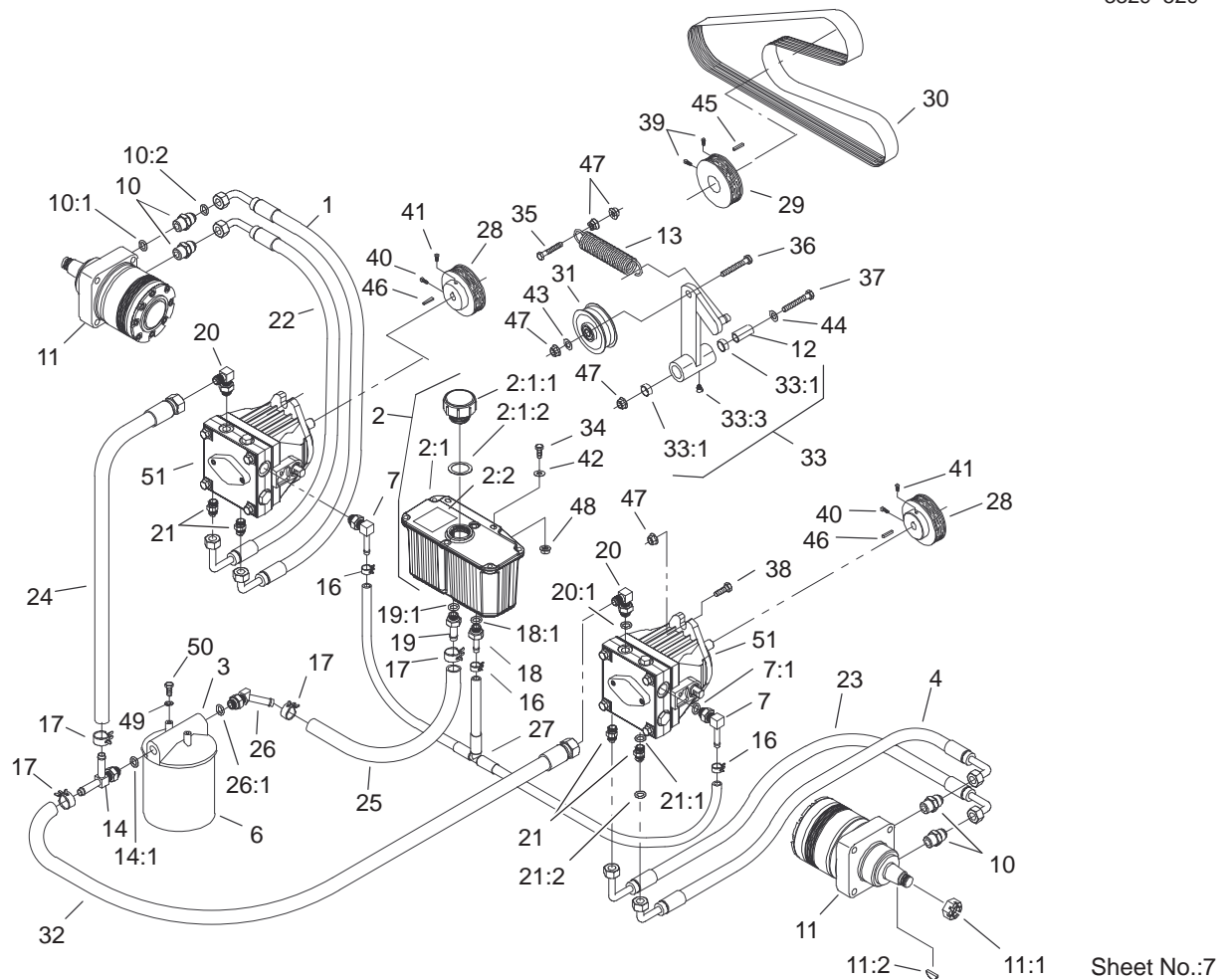


Steering Controls Assembly

Ref. No.	Part No.	Qty.	Description
1	1-303105	2	Yoke-Adjustable
2	98-5975	4	Washer-Belleville
3	103-2913	2	Damper-Control, Motion
5	1-603735	2	Bushing-Flanged
6	1-603737	2	Bolt-Return, Neutral
7	1-603807	2	Spring-Return, Neutral
8	1-403180	4	Screw-HH
☆9		1	LH Pump Linkage ASM
9:1	1-543017	1	Balljoint-RH
9:2	3219-2	3	Nut-Hex
9:3	103-3064	1	Link-Rod, Tracking
9:4	1-804524	1	Nut
9:5	1-633152	1	Balljoint-Thread, LH
☆10		1	Tracking Rod ASM
10:1	1-543017	1	Balljoint-RH
10:2	3219-2	1	Nut-Hex
10:3	103-3060	1	Knob-Tracking
10:4	1-804524	2	Nut
10:5	1-323245	2	Spring-Compression
10:6	1-633152	1	Balljoint-Thread, LH
10:7	103-3064	1	Link-Rod, Tracking
11	103-0632	1	RH Lever ASM
11:1	1-633257	1	Grip-Control, Motion

Ref. No.	Part No.	Qty.	Description
12	1-632208	2	Arm-Control, Pump
13	1-642319	1	Control-Motion, LH
14	1-642320	1	Control-Motion, RH
16	1-633102	4	Bearing-Flange, Side
18	103-0407	2	Arm-Shaft, Control
20	322-6	4	Screw-HH
21	323-4	8	Screw-HH
22	323-6	4	Screw-HH
23	323-9	6	Screw-HH
24	1-803022	2	Screw-Set
25	3296-39	6	Nut-Lock, NI
26	3219-2	4	Nut-Hex
28	3220-2	2	Nut
29	3256-2	2	Washer-Flat
30	3256-3	4	Washer-Flat
32	3272-5	2	Pin-Cotter
33	1-808280	2	Pin-Clevis
34	32128-20	16	Nut-HF
35	3290-357	8	Nut-HHF
37	103-0631	1	LH Lever ASM
37:1	1-633257	1	Grip-Control, Motion

☆ Not serviced separately



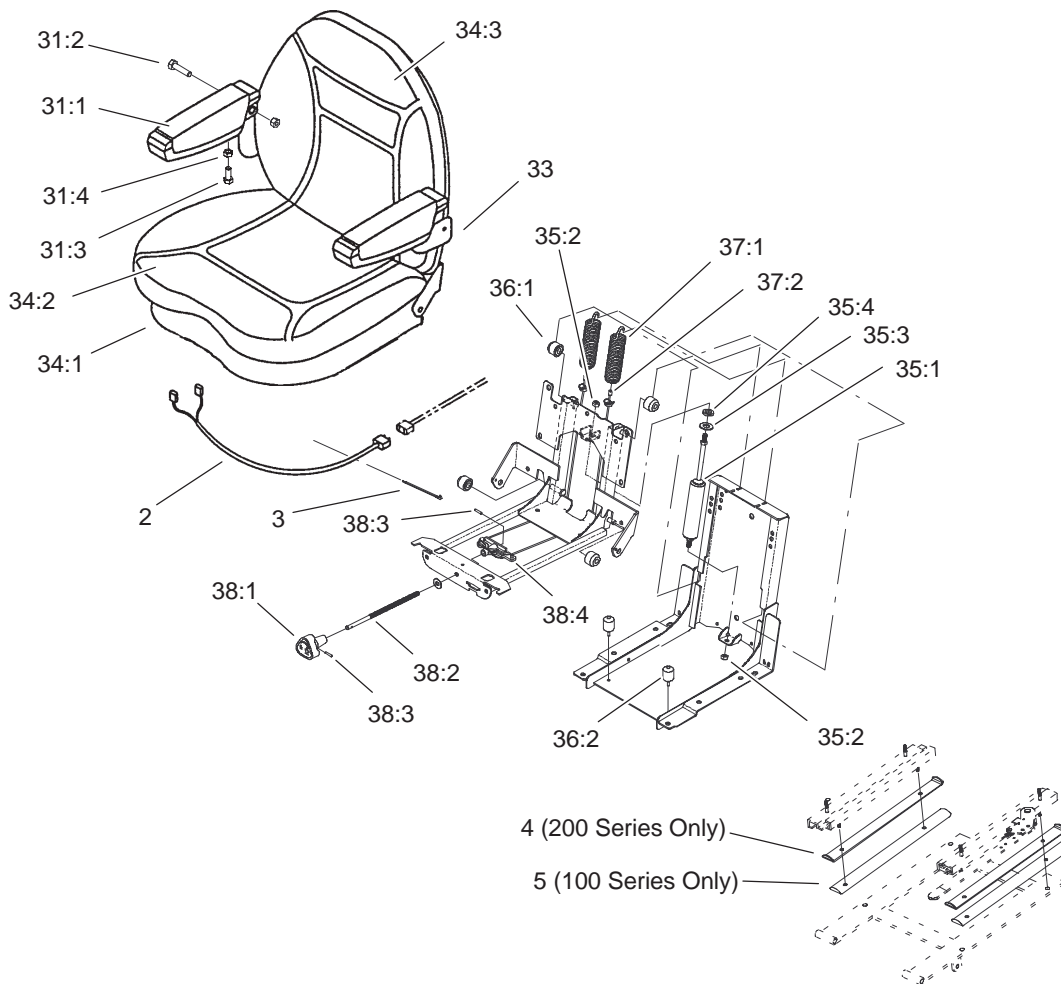
Hydraulic System Assembly

Ref. No.	Part No.	Qty.	Description
1	103-3736	1	HYD Hose ASM
2	103-1947	1	HYD Reservoir ASM
☆2:1		1	Reservoir-HYD
2:1:1	103-1948	1	Cap-Reservoir, HYD
2:1:2	103-1949	1	Gasket-Cap
2:2	1-523552	1	Decal-Tank, HYD
3	104-7836	1	Head-Filter
4	103-3733	1	HYD Hose ASM
6	1-633750	1	Filter-HYD
6	1-633752	1	Filter-HYD, Winter
7	103-1799	2	Elbow-90°
7:1	237-42	1	O-Ring
10	1-603991	4	Fitting-Straight
10:1	237-80	1	O-Ring
10:2	1-603992	1	O-Ring
11	1-523328	2	Motor-Wheel
11:1	1-809036	1	Nut-HH
11:2	3257-42	1	Key-Woodruff
*11:99	1-000099	1	Seal Kit
*11:99	1-000139	1	Bearing Kit
*11:99	103-2748	1	Drive Link Kit
12	1-603384	1	Bushing-Pivot, Idler
13	103-3330	1	Spring-Extension
14	103-1828	1	Adapter-Run, Tee
14:1	237-42	1	O-Ring
16	103-1716	3	Clamp-Hose

Ref. No.	Part No.	Qty.	Description
17	103-1988	4	Clamp-Hose
18	103-1801	1	Adapter-Straight
18:1	237-42	1	O-Ring
19	103-1912	1	Adapter-Straight
19:1	237-42	1	O-Ring
20	103-1802	2	Fitting-HYD, 90°
20:1	237-42	1	O-Ring
21	1-603990	4	Fitting-Straight
21:1	237-79	1	O-Ring
21:2	1-603992	1	O-Ring
22	103-3737	1	HYD Hose ASM
23	103-3735	1	HYD Hose ASM
24	103-1826	1	HYD Hose ASM
25	103-1808	1	Hose-HYD
26	103-1807	1	Elbow-45°
26:1	237-42	1	O-Ring
27	103-1806	1	HYD Hose ASM
28	1-633568	2	Sheave
29	1-633567	1	Sheave
30	1-633749	1	Belt-Drive, Pump
31	1-633167	1	Sheave-Idler
32	103-1827	1	HYD Hose ASM
33	1-634277	1	Bearing Arm ASM
33:1	1-513034	2	Sleeve-Bearing
33:3	302-40	1	Fitting-Grease
34	321-6	2	Screw-HH

☆ Not serviced separately

* Not illustrated



Sheet No.:A1

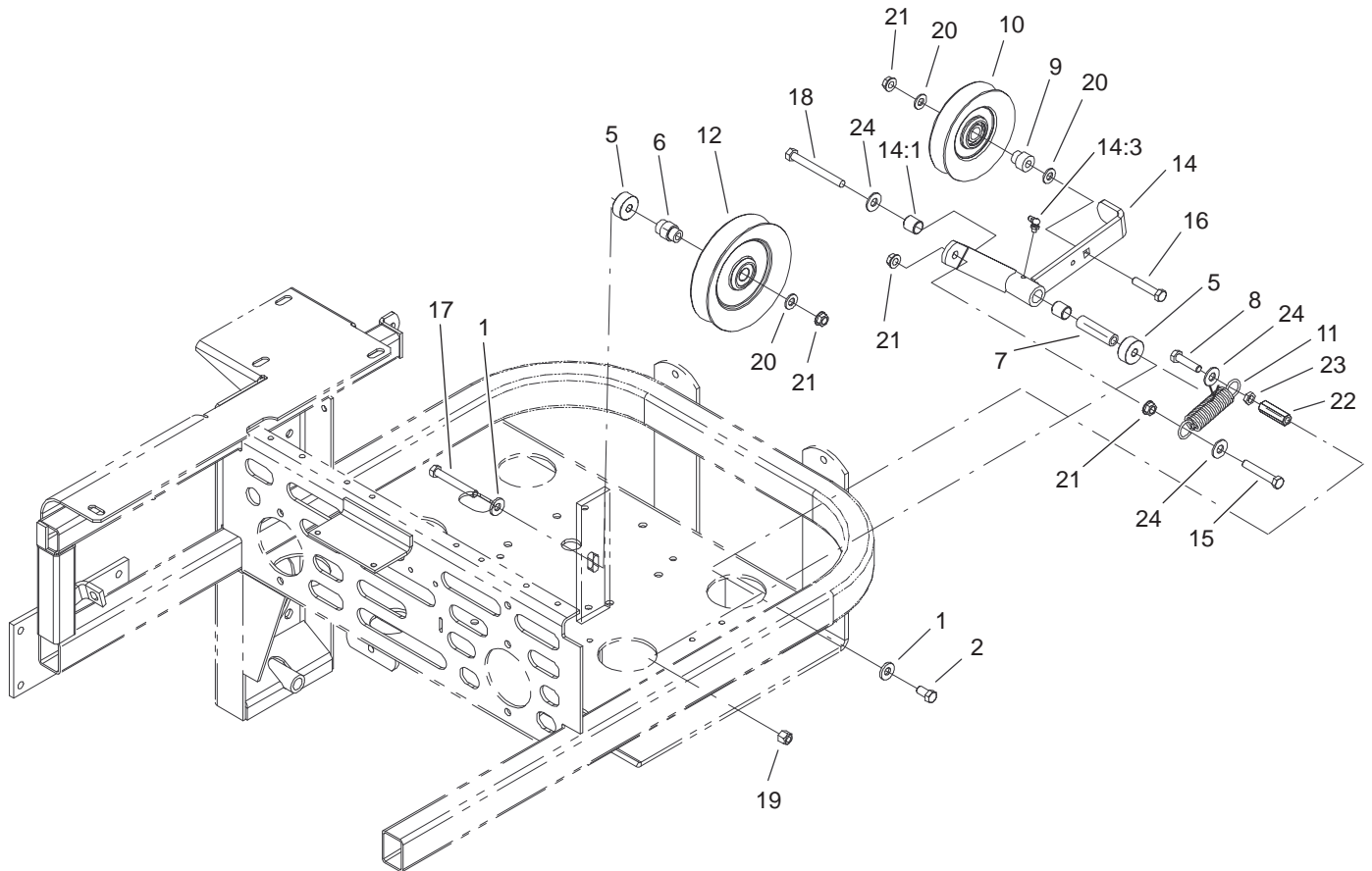
Seat Assembly No. 99-8522 (only on: 74213)

Ref. No.	Part No.	Qty.	Description
2	103-1227	1	Harness-Wiring, Seat
3	1-303335	5	Tie-Plastic
4	1-633872-03	2	Stop-Seat
5	1-653282-03	2	Stop/Spacer-Seat
*30	1-643281	1	Switch-Seat
31	1-631842	1	Armrest Pad Kit
☆31:1		1	Pad-Arm
☆31:2		1	Capscrew
☆31:3		1	Capscrew
☆31:4		1	Flange-Locknut
*☆31:5		2	Spacer
32	1-631843	1	Boot Kit
*☆32:1		1	Boot
*☆32:2		1	Wire-Form, Upper
*☆32:3		2	Wire-Form, Lower
*☆32:4		2	Tie Wrap
33	1-631844	1	Armrest Kit
*☆33:1		2	Capscrew
☆33:2		1	Armrest ASM
*☆33:3		2	Washer
34	1-631845	1	Pan ASM
☆34:1		1	Pan
☆34:2		1	Seat-Gray
☆34:3		1	Back-Gray
*☆34:4		1	Adhesive-Thermoset
*☆34:5		6	Nut-Panel

Ref. No.	Part No.	Qty.	Description
*☆34:6		10	Staple
35	1-631846	1	Damper Kit
☆35:1		1	Damper
☆35:2		2	Locknut-Hex
☆35:3		1	Washer
☆35:4		1	Spacer
36	1-631847	1	Roller Kit
☆36:1		4	Roller
☆36:2		2	Bumper
*☆36:4		2	Spacer
37	1-631848	1	Spring And Cable Kit
☆37:1		2	Spring
☆37:2		1	Cable ASM
38	1-631849	1	Knob And Shaft Kit
☆38:1		1	Knob-Tension, Adjust
☆38:2		1	Shaft-Tension Adjust
☆38:3		2	Pin-Spring
☆38:4		1	Spring-Hanger

* Not illustrated

☆ Not serviced separately

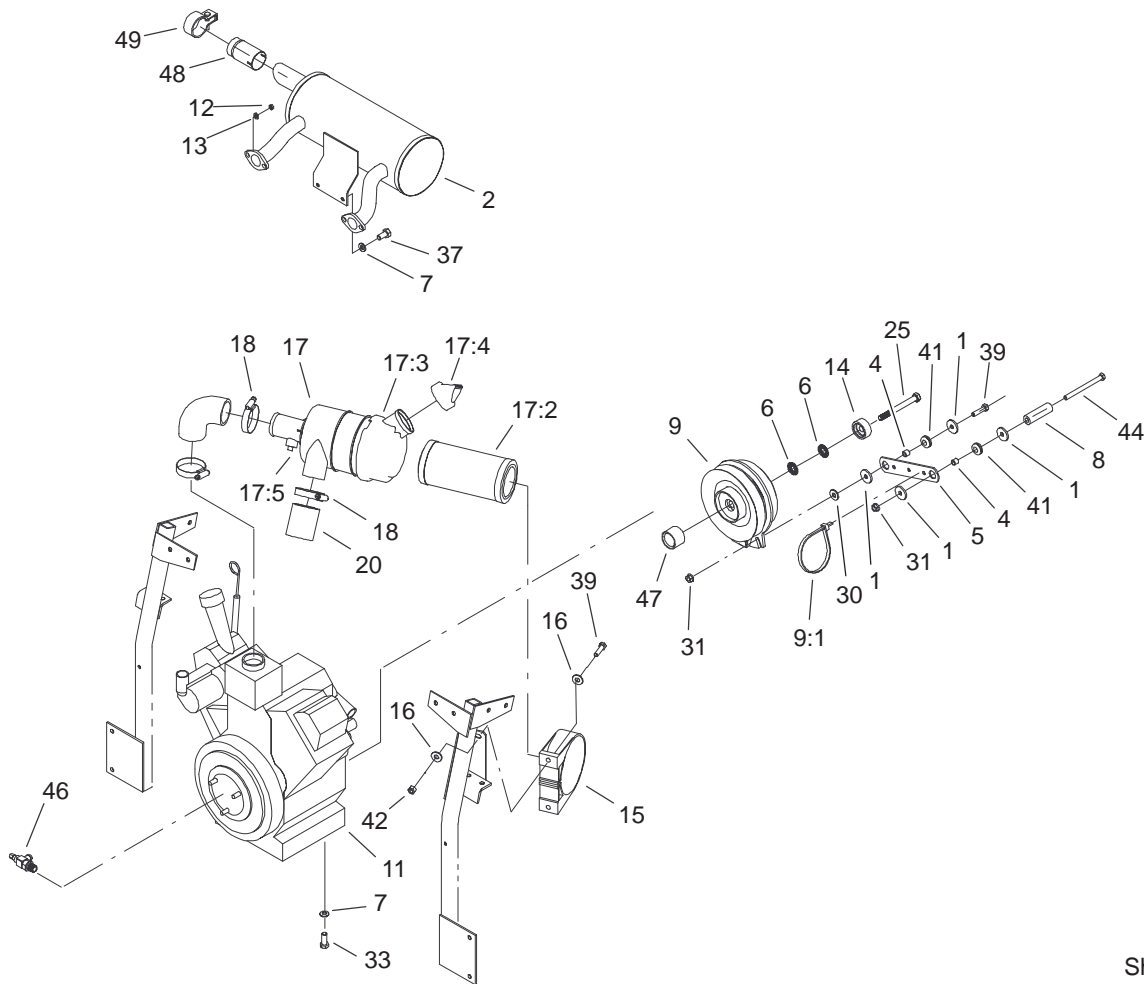


Sheet No.:10

Drive Idler Assembly

Ref. No.	Part No.	Qty.	Description
1	98-5975	2	Washer-Belleville
2	323-4	1	Screw-HH
5	103-2956	2	Spacer-Idler
6	1-603050	1	Spacer (only on: 74236)
6	103-2627	1	Bushing-Idler (only on: 74213)
7	1-603384	1	Bushing-Pivot, Idler
8	323-8	1	Screw-HH
9	1-603496	2	Bushing-Idler (only on: 74236)
9	1-603496	1	Bushing-Idler (only on: 74213)
10	99-4638	1	Idler
11	1-603402	1	Spring-Extension
12	1-633166	1	Pulley-Idler
14	99-4677	1	Idler Arm ASM
14:1	1-513034	2	Sleeve-Bearing
14:3	302-40	1	Fitting-Grease
15	323-11	2	Screw-HH
16	323-9	1	Screw-HH
17	323-20	1	Screw-HH
18	323-16	1	Screw-HH
19	3296-39	1	Nut-Lock, NI
20	3256-24	3	Washer-Flat
21	3290-357	4	Nut-HHF

Ref. No.	Part No.	Qty.	Description
22	103-3286	1	Nut-Coupling
23	3218-3	1	Nut-Jam
24	3256-4	3	Washer-Flat



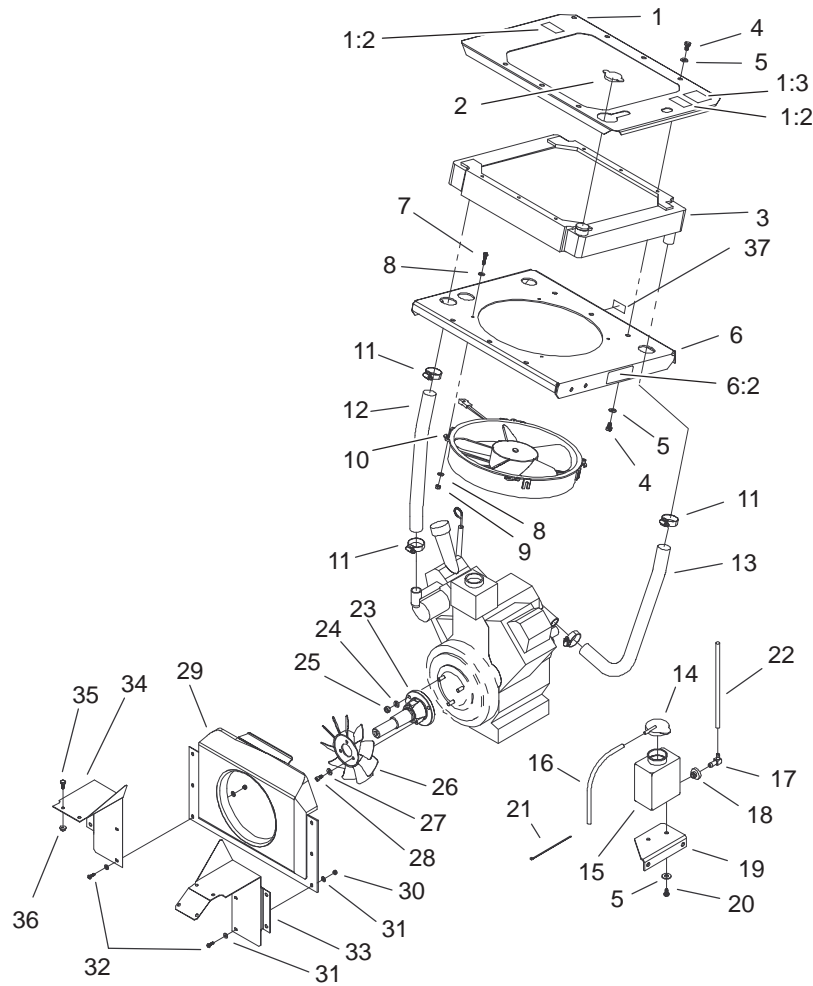
Sheet No.:14

Engine, Clutch and Air Cleaner Assembly

Ref. No.	Part No.	Qty.	Description
1	1-613235	4	Washer
2	103-2759	1	Muffler
4	1-633545	2	Spacer-Grommet
5	1-633543-03	1	Strap-Clutch, Brake
6	1-603610	2	Washer-Spring
7	1-303334	6	Washer-Spring
8	1-643008	1	Spacer-Anchor, Clutch
9	103-1364	1	Clutch
9:1	1-303335	1	Tie-Plastic
☆11		1	Engine-Kawasaki, Fd750d-As03
12	33013-00	4	Nut-Hex
13	1-805004	4	Washer-Lock
14	103-0152	1	Keeper-Clutch
15	95-5806	1	Bracket-Mounting
16	3256-3	4	Washer-Flat
17	95-5805	1	Air Cleaner ASM
17:2	93-2195	1	Filter
17:3	94-3652	1	Cover ASM
17:4	94-1414	1	Valve-Vacuator
17:5	285-17	1	Plug-Pipe
18	1-643009	2	Clamp-Hose
20	1-643084	1	Hose-Inlet, Air
25	48-7570	1	Screw-HH
30	3256-3	1	Washer-Flat

Ref. No.	Part No.	Qty.	Description
31	32128-20	2	Nut-HF
33	33115-025	4	Screw-HH
37	33115-020	2	Screw-HH
39	322-6	3	Screw-HH
41	1-633630	2	Grommet-Brake
42	3296-29	2	Nut-Lock, NI
44	322-19	1	Screw-HH
46	103-3068	1	Valve-Drain, Oil
47	103-0114	1	Spacer-Clutch
48	103-1511	1	Arrestor-Spark
49	103-1512	1	Clamp-Muffler

☆ Not serviced separately

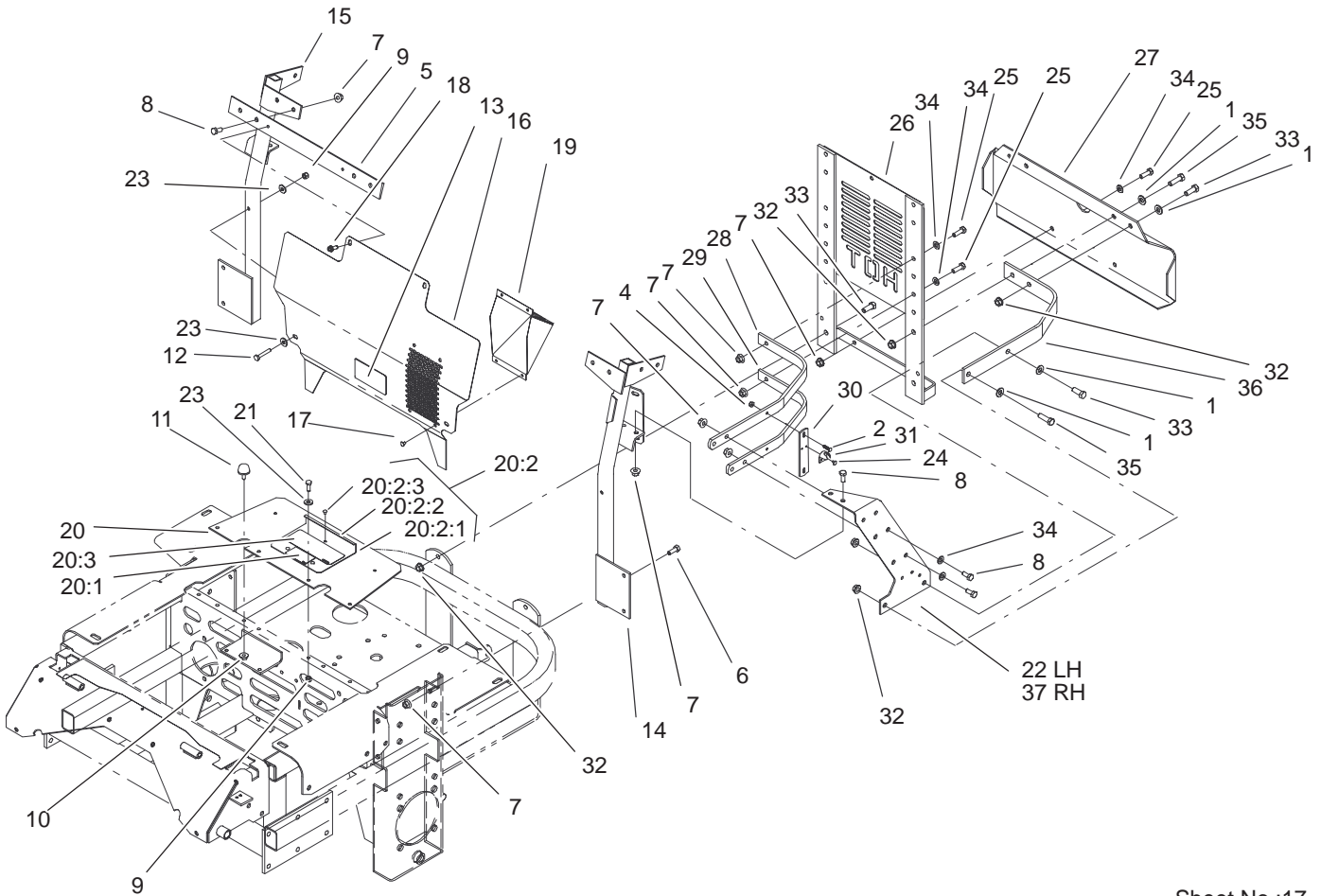


Sheet No.:15

Cooling System Assembly

Ref. No.	Part No.	Qty.	Description
1	104-7843	1	Radiator Trim Plate ASM
1:2	65-2690	2	Decal-Surface, Hot
1:3	104-2449	1	Decal-Coolant, Havoline
2	1-643161	1	Cap-Radiator
3	103-1046	1	Radiator-Mount, Horiz.
4	322-1	12	Screw-HH
5	3256-23	14	Washer-Flat
6	100-4301	1	Fan Mounting Plate ASM
6:2	1-643253	2	Decal-Fan, Radiator
7	1-803067	4	Screw
8	3256-16	8	Washer-Flat
9	1-804254	4	Nut
10	1-633831	1	Fan
11	1-633989	4	Clamp-Hose
12	103-0074	1	Hose-Inlet, Radiator
13	103-0075	1	Hose-Outlet, Radiator
14	1-643164	1	Cap-Tank, Overflow
15	1-643163	1	Tank-Overflow
16	1-643131	1	Hose
17	1-643259	1	Fitting-Elbow
18	1-513645	1	Bushing-Valve, Fuel
19	103-2603-03	1	Bracket-Bottle

Ref. No.	Part No.	Qty.	Description
20	321-2	2	Screw-HH
21	1-303287	3	Tie-Plastic
22	1-643129	1	Hose
23	1-633851	1	Extension-Crankshaft
24	3255-8	3	Washer-Lock
25	33014-00	3	Nut-Hex
26	1-633869	1	Fan-Pump, Cooling
27	3256-22	3	Washer-Flat
28	1-809095	3	Screw-HSH
29	103-0098	1	Shroud-Fan, HYD
30	3296-2	6	Nut-Lock
31	3256-14	12	Washer-Flat
32	3290-500	6	Screw-PPH
33	103-0895-03	1	Shield-LH
34	1-633794-03	1	Baffle-Engine Shield, RH
35	321-4	6	Screw-HH
36	32128-33	6	Nut-HF
37	103-3270	1	Decal-3750 Rpm

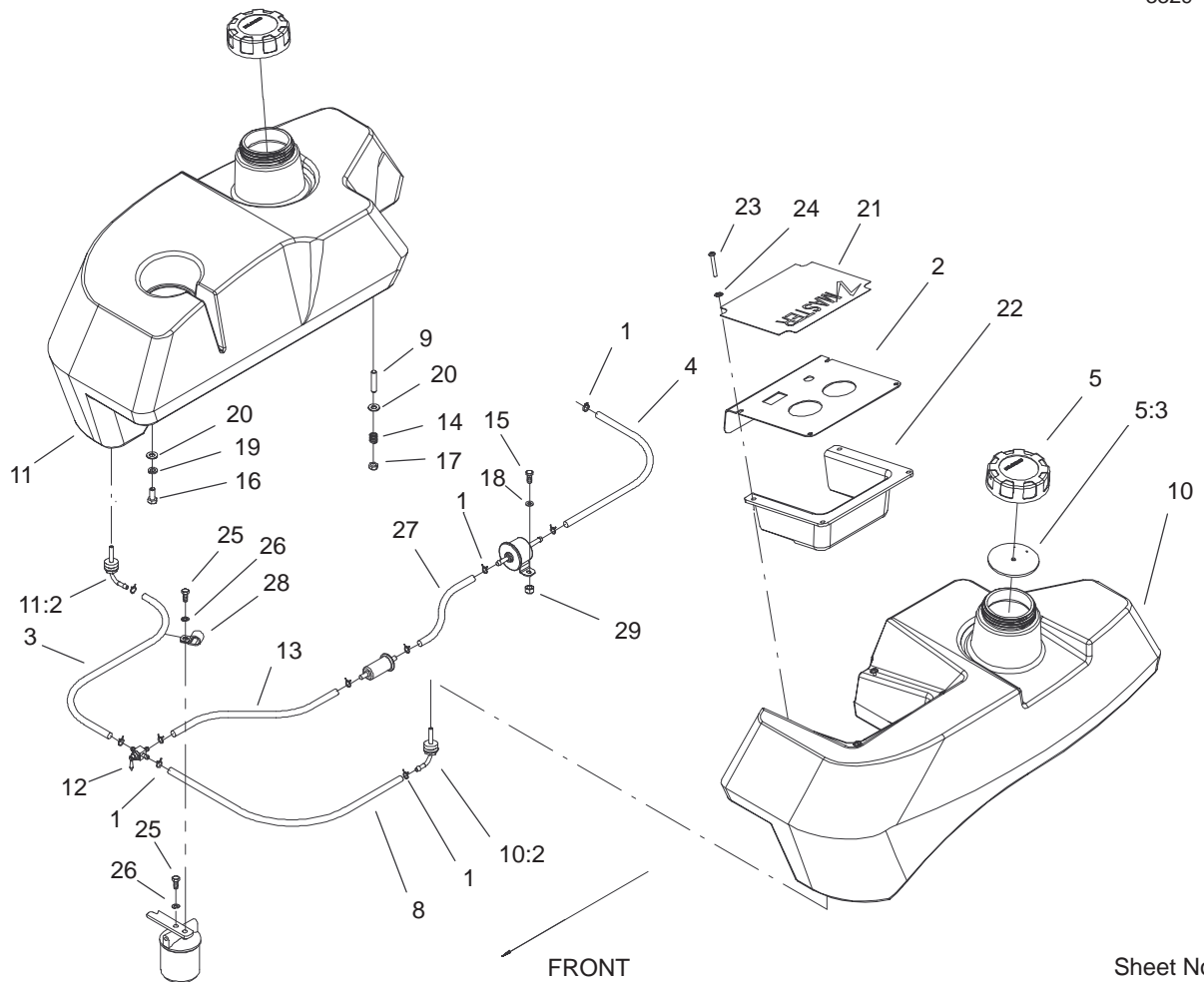


Sheet No.:17

Cooling Mounting Frame Assembly

Ref. No.	Part No.	Qty.	Description
1	3256-24	6	Washer-Flat
2	1-803075	4	Screw-Truss Head
4	3296-2	4	Nut-Lock
5	1-633878-03	1	Crossbar
6	322-4	4	Screw-HH
7	32128-20	12	Nut-HF
8	322-3	8	Screw-HH
9	3296-42	6	Nut-Lock, NI
10	32128-33	2	Nut-HF
11	1-523420	2	Bumper
12	321-9	2	Screw-HH
13	1-643339	1	Decal-Routing, Belt
14	103-0107-03	1	Brace-Radiator, LH
15	1-632985-03	1	Brace-Radiator, RH
16	103-2870-03	1	Deflector-Air
17	3269-3	4	Rivet-Pop
18	49-2040	2	Screw-Tapping
19	103-0110-03	1	Plenum-Intake, Air
20	1-644276	1	Shield ASM
20:1	1-633462	1	Decal-Important
20:2	1-634308	1	Shield/Lift ASM
20:2:1	103-1308	1	Shield-Engine
20:2:2	1-633300-03	1	Lift-Shield
20:2:3	1-803035	3	Rivet-Pop
20:3	103-0368	1	Decal-Devices, Rotating

Ref. No.	Part No.	Qty.	Description
21	321-4	4	Screw-HH
22	103-0896-03	1	Plate-Side, LH
23	3256-2	6	Washer-Flat
24	923786	4	Rivet-Pop
25	322-5	9	Screw-HH
26	1-632873-03	1	Mount-Radiator, Rear
27	1-633886-03	1	Guard-Bumper
28	1-633897-03	2	Rib-Top
29	1-633898-03	2	Rib-Bottom
30	1-633877-03	2	Bar-Hook, Latch
31	1-643189	2	Keeper-Latch, Rubber
32	3290-357	10	Nut-HHF
33	323-6	6	Screw-HH
34	3256-23	11	Washer-Flat
35	323-7	4	Screw-HH
36	1-633896-03	2	Bar-Mount Frame, Radiator
37	103-0897-03	1	Plate-Side, RH

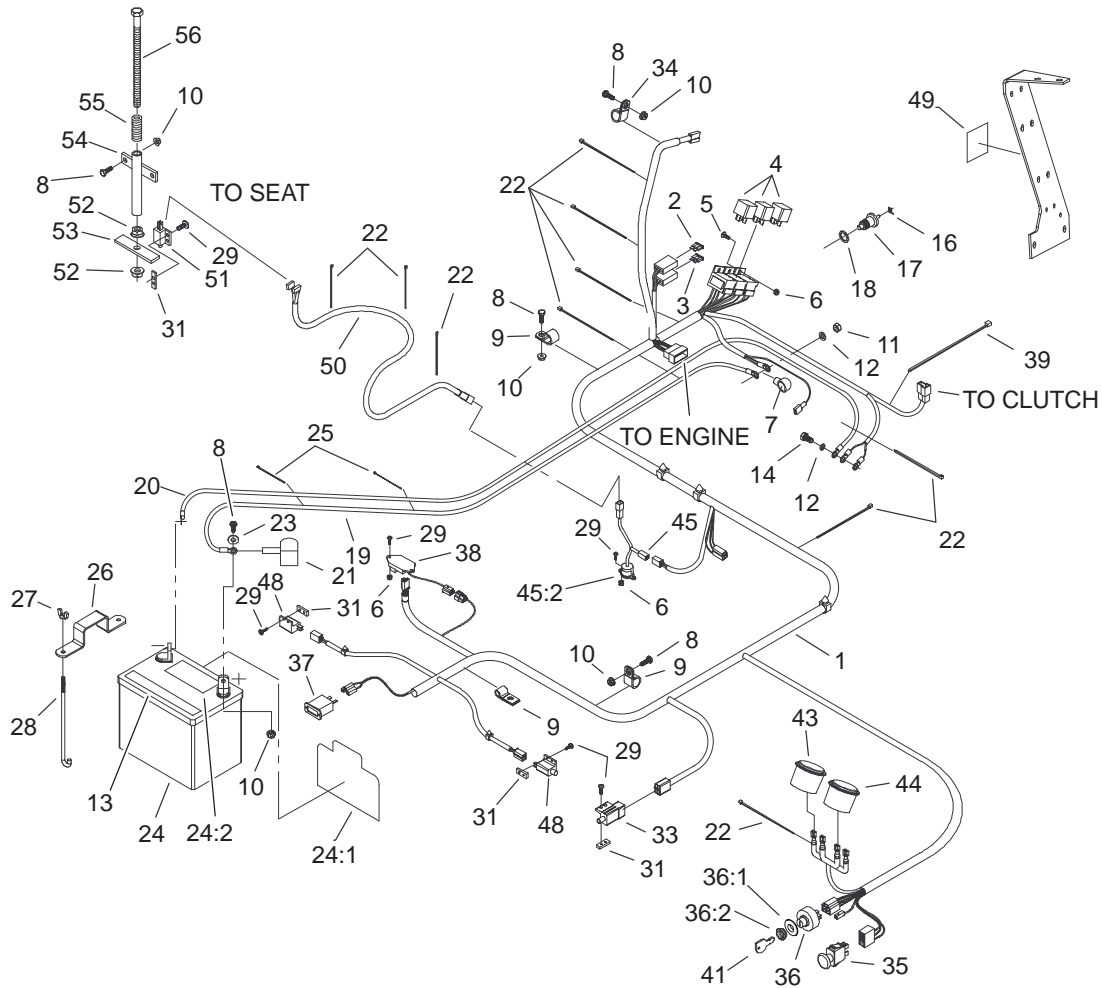


Sheet No.:24

Fuel System Assembly

Ref. No.	Part No.	Qty.	Description
1	1-303077	10	Clamp
2	99-4617-03	1	Panel-Control
3	103-2885	1	Hose-Fuel
4	103-1335	1	Hose-Fuel
5	88-3980	2	Gas Cap ASM
5:3	88-4010	1	Gasket-Cap, Gas
8	1-543456	1	Hose-Fuel
9	1-633023	6	Stud
10	105-3629	1	LH Fuel Tank ASM
10:2	103-2605	1	Fitting-Fuel, Bulkhead
11	105-3628	1	RH Fuel Tank ASM
11:2	103-2605	1	Fitting-Fuel, Bulkhead
12	1-633347	1	Valve-Fuel
13	1-303426	1	Hose-Line, Fuel
14	1-633349	6	Spring-Tank, Fuel
15	321-4	2	Screw-HH
16	322-3	2	Screw-HH
17	3296-47	6	Nut-Lock, NI
18	3256-2	2	Washer-Flat
19	1-805005	2	Washer-Lock
20	3256-23	8	Washer-Flat
21	99-4612	1	Decal-Panel, Control
22	99-4940	1	Shield-Panel, Control
23	1-803071	4	Screw
24	1-303435	4	Washer-Spring
25	321-3	2	Screw-HH

Ref. No.	Part No.	Qty.	Description
26	1-805004	2	Washer-Lock
27	1-643270	1	Hose-Fuel
28	1-513762	1	Clip-Loom
29	32128-33	2	Nut-HF

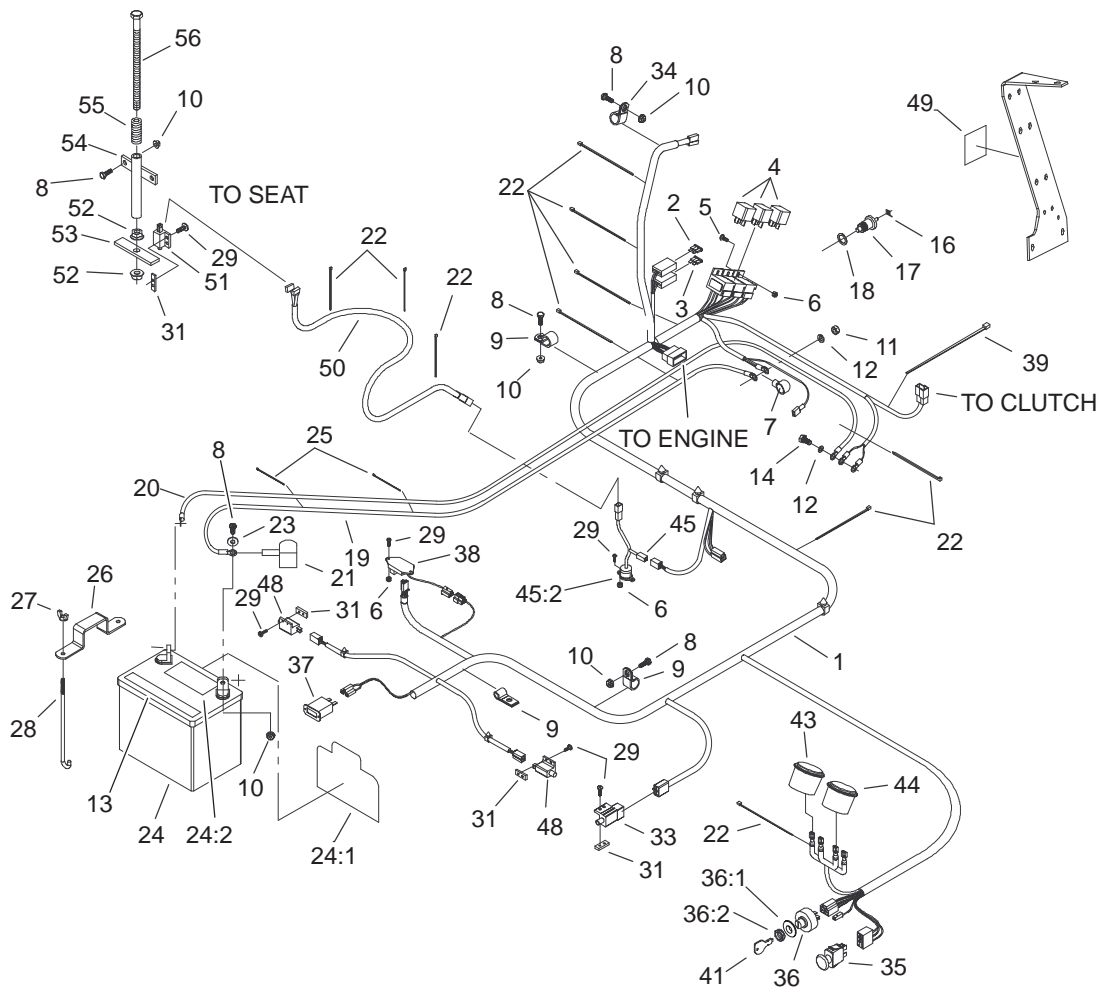


Sheet No.:29

Electrical System Assembly

Ref. No.	Part No.	Qty.	Description
1	104-7757	1	Harness-Wire
2	1-816001	1	Fuse-Type, Blade
3	1-816003	1	Fuse-Blade Type, 30 Amp
4	1-643275	3	Relay
5	1-803071	2	Screw
6	3296-2	6	Nut-Lock
7	1-543393	1	Insulator-Solenoid
8	321-4	5	Screw-HH (only on: 74213)
8	321-4	7	Screw-HH (only on: 74236)
9	1-633396	3	Clip-Loom
10	32128-33	7	Nut-HF (only on: 74236)
10	32128-33	5	Nut-HF (only on: 74213)
11	33014-00	1	Nut-Hex
12	3256-23	2	Washer-Flat
13	105-3646	1	Decal-Warning, Battery
14	33114-016	1	Screw-HH
16	1-643145	1	Tab
17	103-0283	1	Sender-Temperature
18	1-643153	1	Washer-Aluminum
19	1-523279	1	Wire-Battery, Positive

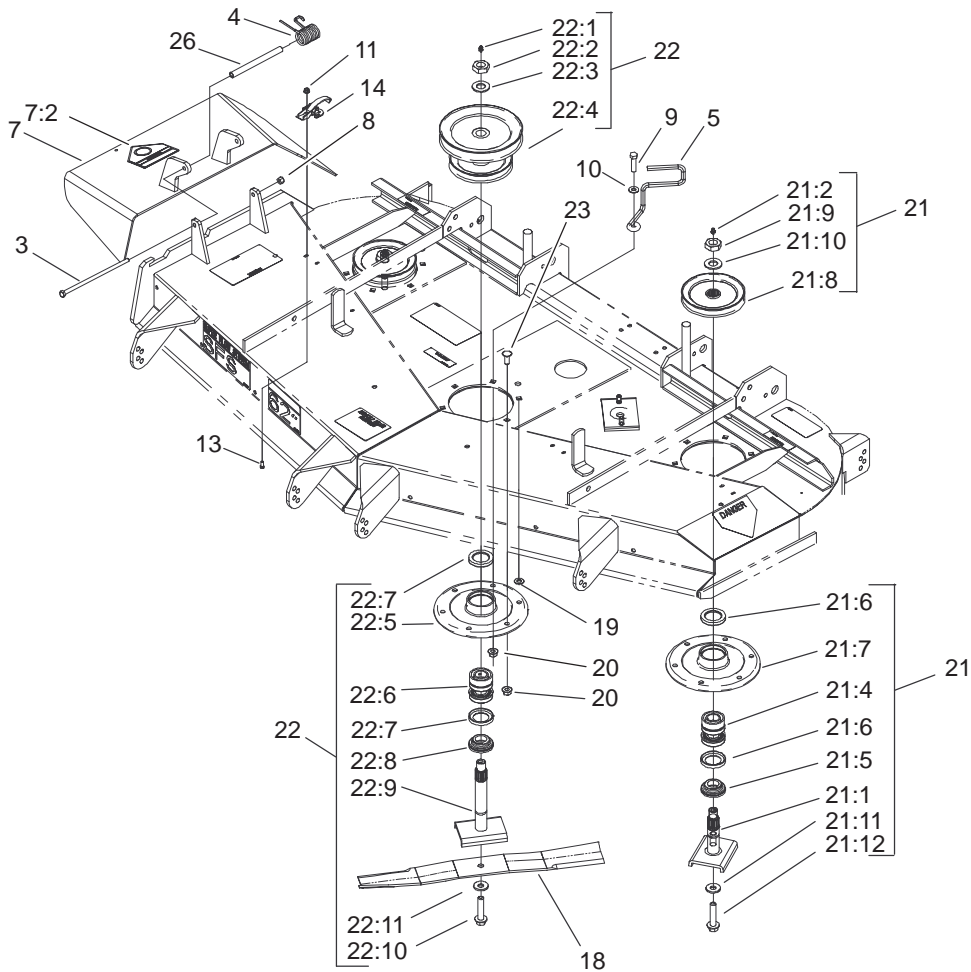
Ref. No.	Part No.	Qty.	Description
20	1-633307	1	Wire-Ground
21	1-543391	1	Insulator-Battery
22	1-303335	7	Tie-Plastic (only on: 74236)
22	1-303335	10	Tie-Plastic (only on: 74213)
23	3256-2	2	Washer-Flat
24	105-1692	1	Battery
24:1	104-4163	1	Decal-Battery
24:2	104-4164	1	Decal-Battery
25	1-303287	2	Tie-Plastic
26	1-633652-03	1	Strap-Holddown
27	1-543792	2	Wingnut
28	1-633651	2	Bolt-Holddown
29	3290-500	10	Screw-PPH (only on: 74213)
29	3290-500	12	Screw-PPH (only on: 74236)
31	1-633181	3	Plate-Tapped (only on: 74213)
31	1-633181	4	Plate-Tapped (only on: 74236)
33	1-633111	1	Switch
34	1-513762	1	Clip-Loom
35	1-633673	1	Switch-Delta
36	88-9830	1	Key Switch ASM



Sheet No.:29

Electrical System Assembly (Continued)

Ref. No.	Part No.	Qty.	Description	Ref. No.	Part No.	Qty.	Description
36:1	3254-5	1	Washer-Tooth	55	1-523415	1	Spring-Switch, Seat (only on: 74236)
36:2	218-461	1	Nut-HH	56	1-800282	1	Screw-HH (only on: 74236)
37	1-513374	1	Meter-Hour				
38	100-6186	1	Module-Delay, Seat				
39	1-643115	1	Tie-Plastic				
41	63-8360	2	Key-Ignition				
43	1-643037	1	Gauge-Voltmeter				
44	1-643021	1	Gauge-Temperature				
45	1-644427	1	Tilt Switch ASM				
45:2	1-643401	1	Decal-Switch, Mercury				
48	1-513051	2	Switch-Open, Normally				
49	103-1027	1	Decal-Relay				
50	103-1227	1	Harness-Wiring, Seat (only on: 74213)				
51	1-513152	1	Switch-Closed, Normally (only on: 74236)				
52	32128-20	2	Nut-HF (only on: 74236)				
53	1-513180	1	Plate-Switch, Seat (only on: 74236)				
54	1-522424-03	1	Mount-Spring, Seat (only on: 74236)				

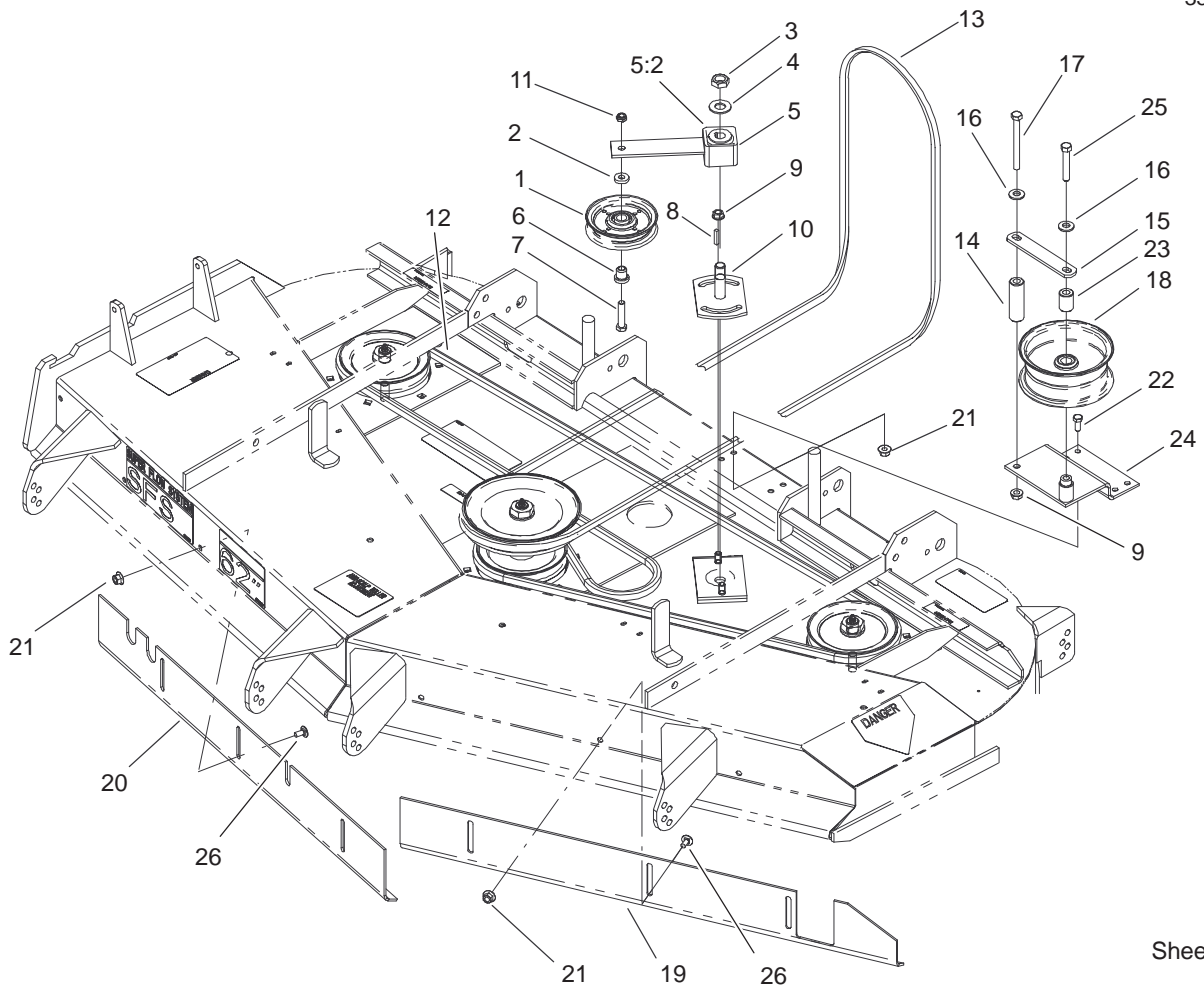


Sheet No.: 62

Spindle and Pulley Assembly

Ref. No.	Part No.	Qty.	Description
3	322-50	1	Screw-HH
4	104-8554	1	Spring-Torsion
5	99-8933	1	Guide-Belt
7	105-3605	1	Deflector ASM
7:2	93-1122	1	Decal-Danger
8	3296-29	1	Nut-Lock, NI
9	323-8	1	Screw-HH
10	3256-3	1	Washer-Flat
11	32128-17	8	Nut-Lock, Flange
13	3290-321	8	Screw-HWH
14	249-21	4	Clamp-Slotted
18	44-6250	3	Blade
19	3256-24	1	Washer-Flat
20	32128-21	18	Nut-HF
21	99-4640	2	Outer Spindle ASM
21:1	27-0920	1	Shaft
21:2	302-2	1	Fitting-Grease
21:4	46-8530	1	Bearing ASM
21:5	27-0950	1	Spacer
21:6	253-139	2	Seal-Oil
21:7	61-4160	1	Housing
21:8	99-4614	1	Pulley And Hub ASM
21:9	32146-20	1	Nut-Jam
21:10	7-4150	1	Washer
21:11	1-513435	1	Washer-Spring
21:12	92-5816	1	Bolt-Blade

Ref. No.	Part No.	Qty.	Description
22	105-1689	1	Spindle Housing ASM
22:1	302-2	1	Fitting-Grease
22:2	32146-20	1	Nut-Jam
22:3	92-5836	1	Washer
22:4	100-4307	1	Pulley/Hub ASM
22:5	61-4160	1	Housing
22:6	46-8530	1	Bearing ASM
22:7	253-139	2	Seal-Oil
22:8	27-0950	1	Spacer
22:9	105-1686	1	Spindle Shaft ASM
22:10	92-5816	1	Bolt-Blade
22:11	1-513435	1	Washer-Spring
23	3231-22	17	Screw-CARR
26	105-4622	1	Spacer



Sheet No.: 63

Belt and Idler Arm Assembly

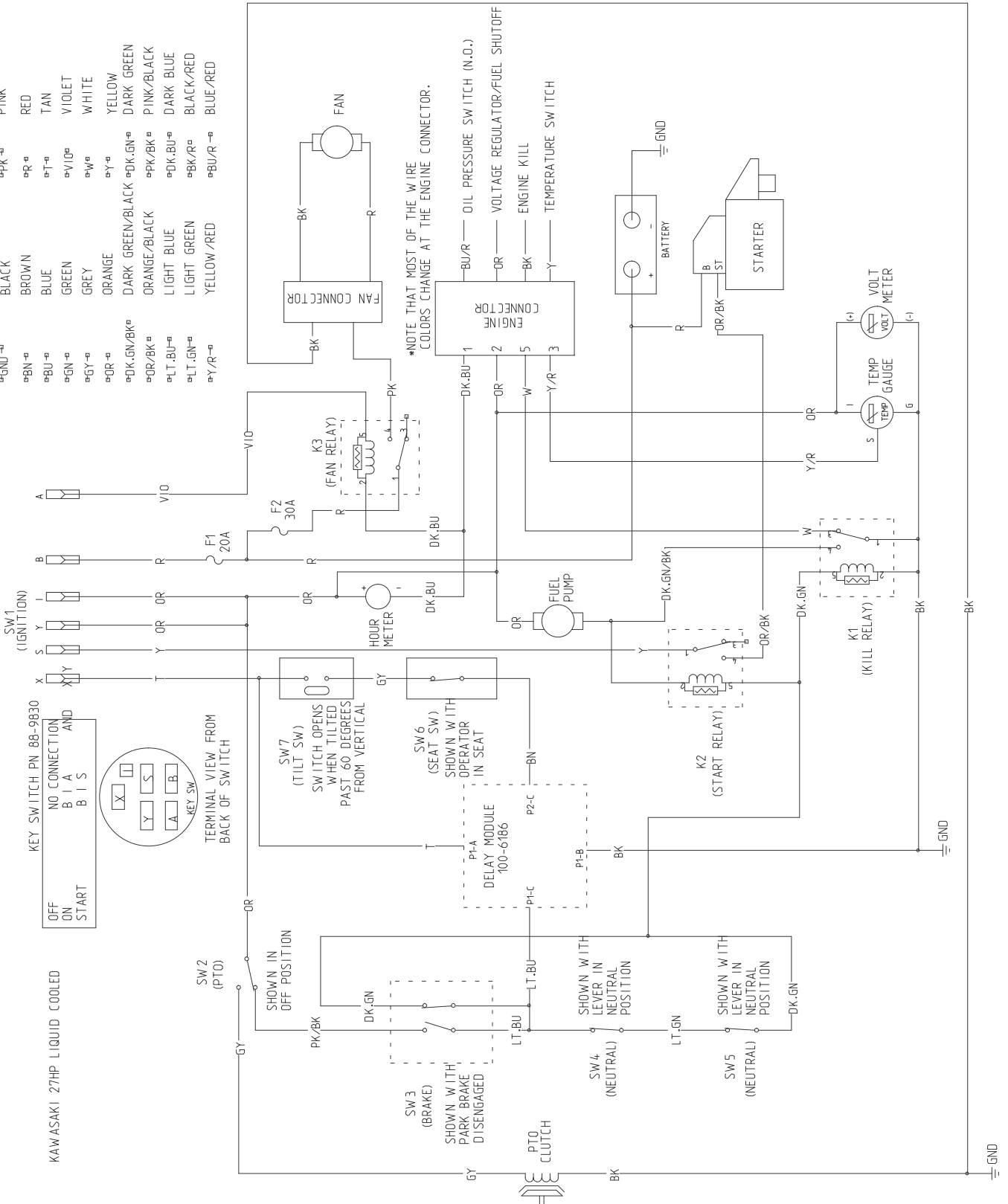
Ref. No.	Part No.	Qty.	Description
1	65-5940	1	Pulley-Idler
2	7-0081	1	Washer-Flat
3	3296-71	1	Nut-Lock NI
4	3256-27	1	Washer-Flat
5	27-8580	1	Idler Arm ASM
5:2	27-8490	1	Bushing-Rubber
6	65-5950	1	Bushing-Pulley
7	3211-8	1	Screw-HH
8	5-1077	1	Key-Square
9	3290-357	3	Nut-HHF
10	44-6301	1	Plate-Idler, LH
11	3296-5	1	Nut-Lock, NI
12	44-6260	1	V-Belt
13	99-4647	1	V-Belt-Drive, Deck
14	99-4659	1	Spacer-Bracket
15	1-653189	1	Plate
16	98-5975	2	Washer-Belleville
17	323-42	1	Screw-HH
18	1-413099	1	Pulley-Idler
19	99-2833-03	1	Baffle-Front, LH
20	99-2834-03	1	Baffle-Front, RH
21	32128-20	10	Nut-HF
22	322-3	4	Screw-HH
23	1-653190	1	Spacer
24	99-4684-01	1	Bracket-Pulley

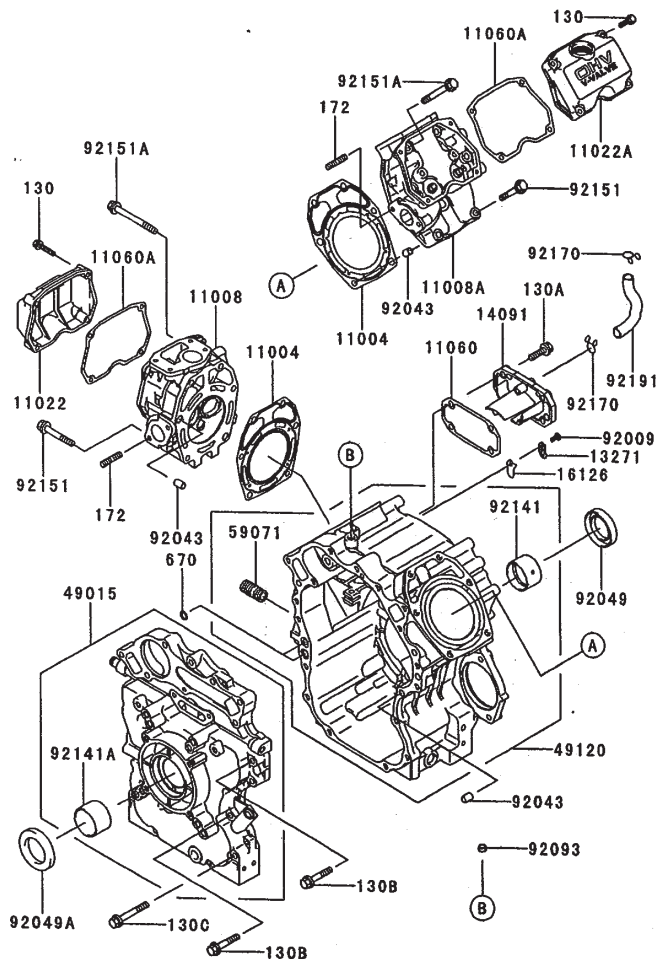
Ref. No.	Part No.	Qty.	Description
25	323-11	1	Screw-HH
26	3230-18	6	Screw-CARR

Electrical Schematic

WIRE COLOR CODES

ⓂGND-Ⓜ	BLACK	ⓂPK-Ⓜ	PINK
ⓂBN-Ⓜ	BROWN	ⓂR-Ⓜ	RED
ⓂBU-Ⓜ	BLUE	ⓂT-Ⓜ	TAN
ⓂGN-Ⓜ	GREEN	ⓂVIO-Ⓜ	VIOLET
ⓂGY-Ⓜ	GREY	ⓂW-Ⓜ	WHITE
ⓂOR-Ⓜ	ORANGE	ⓂY-Ⓜ	YELLOW
ⓂDK.GN/BK-Ⓜ	DARK GREEN/BLACK	ⓂDK.GN-Ⓜ	DARK GREEN
ⓂOR/BK-Ⓜ	ORANGE/BLACK	ⓂPK/BK-Ⓜ	PINK/BLACK
ⓂLT.BU-Ⓜ	LIGHT BLUE	ⓂDK.BU-Ⓜ	DARK BLUE
ⓂLT.GN-Ⓜ	LIGHT GREEN	ⓂBK/R-Ⓜ	BLACK/RED
ⓂY/R-Ⓜ	YELLOW/RED	ⓂBU/R-Ⓜ	BLUE/RED

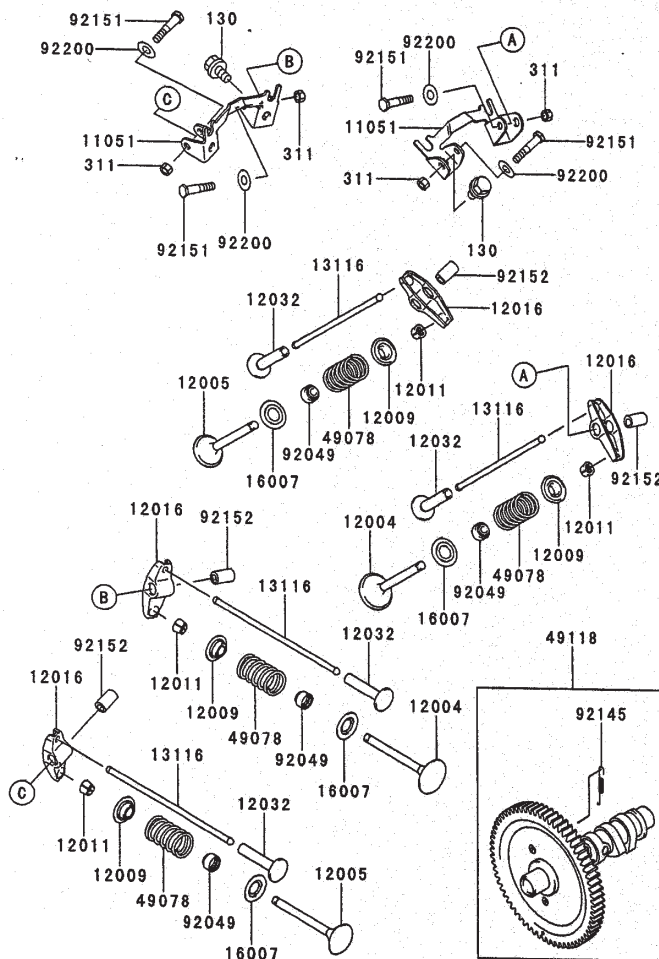




Cylinder/Crankcase Assembly Kawasaki FD750D-AS03

Ref. No.	Part No.	Qty.	Description	Ref. No.	Part No.	Qty.	Description
11004	11004-2142	2	Gasket-Head	130	130G0630	8	Bolt-Flanged
11008	11008-2145	1	Head-Comp-Cylinder	130A	130G0830	4	Bolt-Flanged
11008A	11008-2146	1	Head-Comp-Cylinder	130B	130G0845	4	Bolt-Flanged
11022	11022-2072	1	Case-Rocker	130C	310G0860	4	Bolt-Flanged
11022A	11022-2073	1	Case-Rocker	172	172G0822	4	Bolt-Stud
11060	11060-2466	1	Gasket, Breath	670	670B2011	2	O-Ring
11060A	11060-2470	2	Gasket, Rocker, Case				
13271	13271-2105	2	Plate				
14091	14091-2064	1	Cover, Breath				
16126	16126-2225	2	Valve, Breath				
49015	49015-6232	1	Cover-Crankcase				
49120	49120-6127	1	Crankcase-Comp				
59071	59071-2079	1	Joint				
92009	92009-2308	2	Screw				
92043	92043-1037	6	Pin				
92049	92049-2242	1	Seal-Oil				
92049A	92049-2243	1	Seal-Oil				
92093	92093-2086	1	Seal				
92141	92141-2118	1	Bearing-Plane				
92141A	92141-2119	1	Bearing-Plane				
92151	92151-2158	4	Bolt				
92151A	92151-2159	8	Bolt				
92170	92170-2002	2	Clamp				
92191	92191-2105	1	Tube				

Obtain Parts from Kawasaki

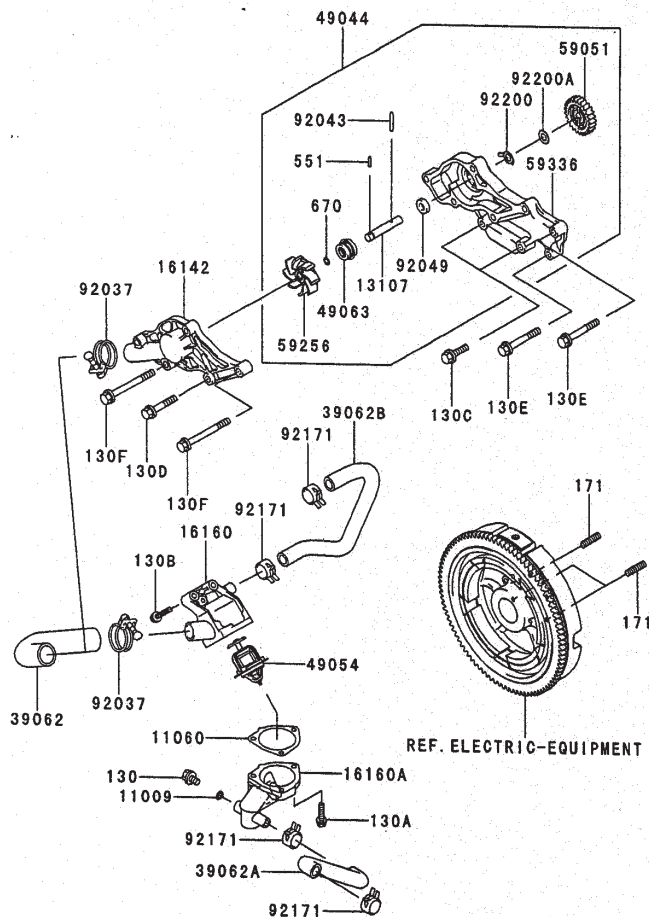


Valve/Camshaft Assembly Kawasaki FD750D-AS03

Ref. No.	Part No.	Qty.	Description
11051	11051-2092	2	Bracket
12004	12004-2113	2	Valve-Intake
12005	12005-2100	2	Valve-Exhaust
12009	12009-2060	4	Retainer-Valve Spring
12011	12011-2052	8	Collet
12016	12016-2063	4	Arm-Rocker
12032	12032-2060	4	Tappet
13116	13116-2074	4	Rod-Push
16007	16007-2052	4	Seat-Spring
49078	49078-2060	4	Spring-Engine Valve
49118	49118-2138	1	Camshaft
92049	92049-2100	4	Seal-Oil
92145	92145-2085	1	Spring
92151	92151-2134	4	Bolt
92152	92152-2066	4	Collar
92200	92200-2128	4	Washer
130	130G0814	4	Bolt-Flanged
311	311B0600	4	Nut-Hex

Ref. No.	Part No.	Qty.	Description

Obtain Parts from Kawasaki

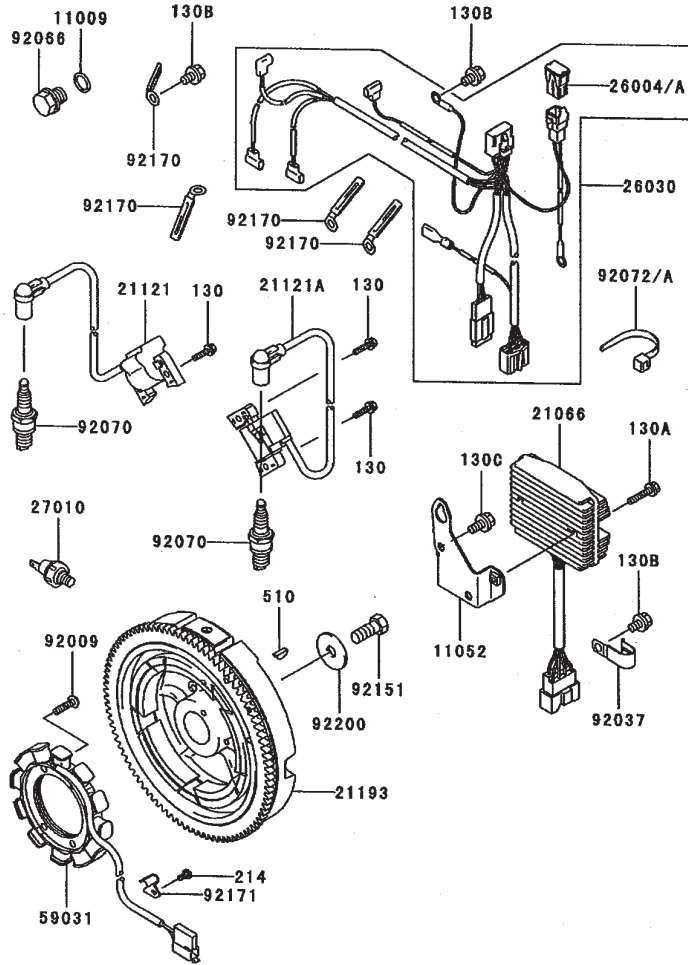


Cooling Equipment Assembly Kawasaki FD750D-AS03

Ref. No.	Part No.	Qty.	Description
11009	11009-3028	1	Gasket
11060	11060-2475	1	Gasket-Thermostat
13107	13107-2097	1	Shaft-Impeller
16142	16142-2077	1	Cover-Pump
16160	16160-2127	1	Body-Upper
16160A	16160-6002	1	Body-Valve
39062	39062-2080	1	Hose-Cooling
39062A	39062-2083	1	Hose-Cooling
39062B	39062-2084	1	Hose-Cooling
49044	49044-2063	1	Pump-Water
49054	49054-2058	1	Thermostat
49063	49063-1054	1	Seal-Mechanical
59051	59051-2355	1	Gear-Spur, 25T
59256	59256-2069	1	Impeller
59336	59336-2078	1	Case-Pump
92037	92170-1284	2	Clamp
92043	92043-2237	1	Pin
92049	92049-2111	1	Seal-Oil
92171	92171-2056	4	Clamp
92200	92200-2134	1	Washer
92200A	92200-2135	1	Washer
130	130C0812	1	Bolt-Flanged
130A	130G0625	3	Bolt-Flanged
130B	130G0635	2	Bolt-Flanged

Ref. No.	Part No.	Qty.	Description
130C	130G0830	2	Bolt-Flanged
130D	130G0845	1	Bolt-Flanged
130E	130G0860	2	Bolt-Flanged
130F	130G0880	4	Bolt-Flanged
171	171G0818	3	Bolt-Stud
551	551A0314	1	Pin-Dowel
670	670B1507	1	O-Ring

Obtain Parts from Kawasaki

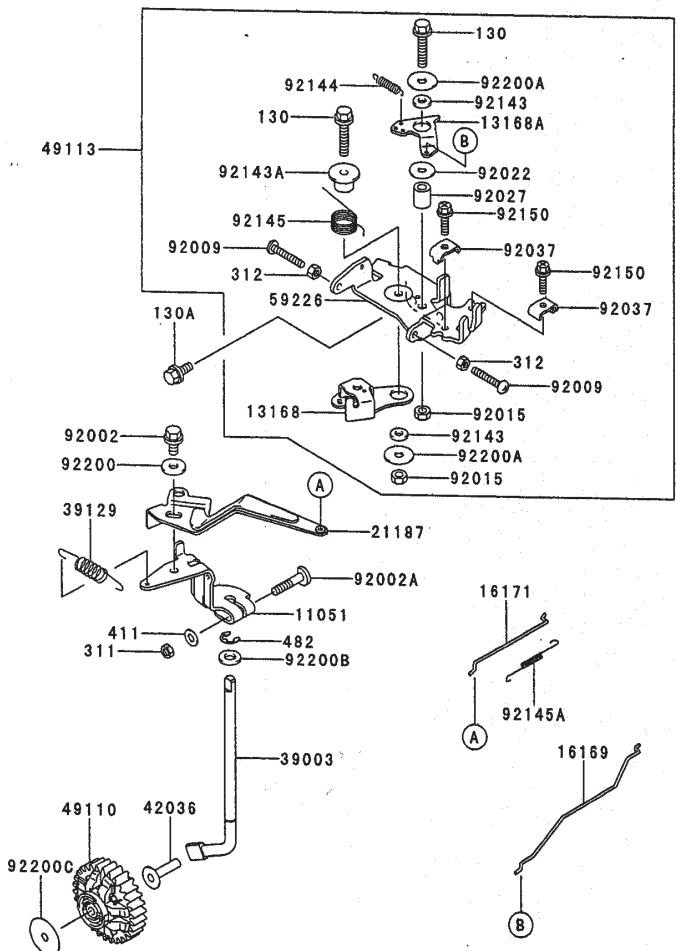


Electric Equipment Assembly Kawasaki FD750D-AS03

Ref. No.	Part No.	Qty.	Description
11009	11009-2766	1	Gasket
11052	11052-2058	1	Bracket
21066	21066-2079	1	Regulator-Voltage
21121	21121-2090	1	Coil-Ignition, No. 1
21121A	21121-2091	1	Coil-Ignition, No. 2
21193	21193-2177	1	Flywheel ASM
26004	26004-1093	1	Fuse ASM
26030	26030-2320	1	Harness
27010	27010-7001	1	Switch
59031	59031-2127	1	Coil-Charging
92009	92009-2273	4	Scerw
92037A	92037-2101	1	Clamp
92066	92066-2099	1	Plug-Drain
92070	92070-2110	2	Plug-Spark, BPR2ES
92072	92072-1195	1	Band
92151	92151-2097	1	Bolt
92170	92170-2060	4	Clamp
92171	92171-2060	1	Clamp
92200	92200-2119	1	Washer
130	130G0520	1	Bolt-Flanged
130A	130G0630	2	Bolt-Flanged
130B	130G0812	3	Bolt-Flanged
130C	130G0816	2	Bolt-Flanged
214	214B0510	1	Screw-Pan+

Ref. No.	Part No.	Qty.	Description
510	510A5100	1	Key-Woodruff

Obtain Parts from Kawasaki

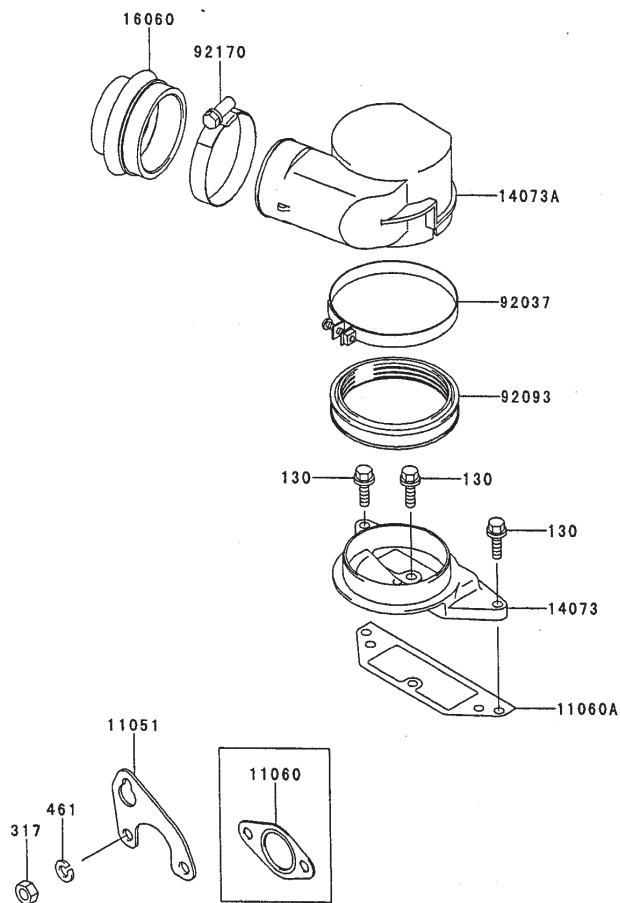


Control Equipment Assembly Kawasaki FD750D-AS03

Ref. No.	Part No.	Qty.	Description
11051	11051-2113	1	Bracket
13168	13168-2466	1	Lever-Throttle
13168A	13168-2467	1	Lever-Choke
16169	16169-2142	1	Link-Choke
16171	16171-2091	1	Link
21187	21187-2073	1	Arm ASM
39003	39003-2091	1	Arm-Pivot
39129	39129-2099	1	Spring-Governor
42036	42036-2060	1	Sleeve
49110	49110-2094	1	Governor ASM
49113	49113-2170	1	Panel-Comp-Control
59226	59226-2328	1	Panel-Control
92002	92002-1902	1	Bolt
92002A	92002-2269	1	Bolt
92009	92009-2381	2	Screw
92015	92015-2051	2	Nut
92022	92002-2372	1	Washer
92027	92027-1461	1	Collar
92037	92037-2209	2	Clamp
92143	92143-2135	2	Collar
92143A	92143-2148	1	Collar
92144	92144-2052	1	Spring
92145	92145-2058	1	Spring
92145A	92145-2095	1	Spring

Ref. No.	Part No.	Qty.	Description
92150	92150-2182	2	Bolt
92200	92200-2035	1	Washer
92200A	92200-2108	2	Washer
92200B	92200-2120	1	Washer
92200C	92200-2122	1	Washer
130	130B0630	2	Bolt-Flanged
130A	130G0614	2	Bolt-Flanged
311	311B0600	2	Nut-Hex
312	312G0500	2	Nut-Hex
411	411B0600	1	Washer
482	482J7000	1	Circlip-Type E

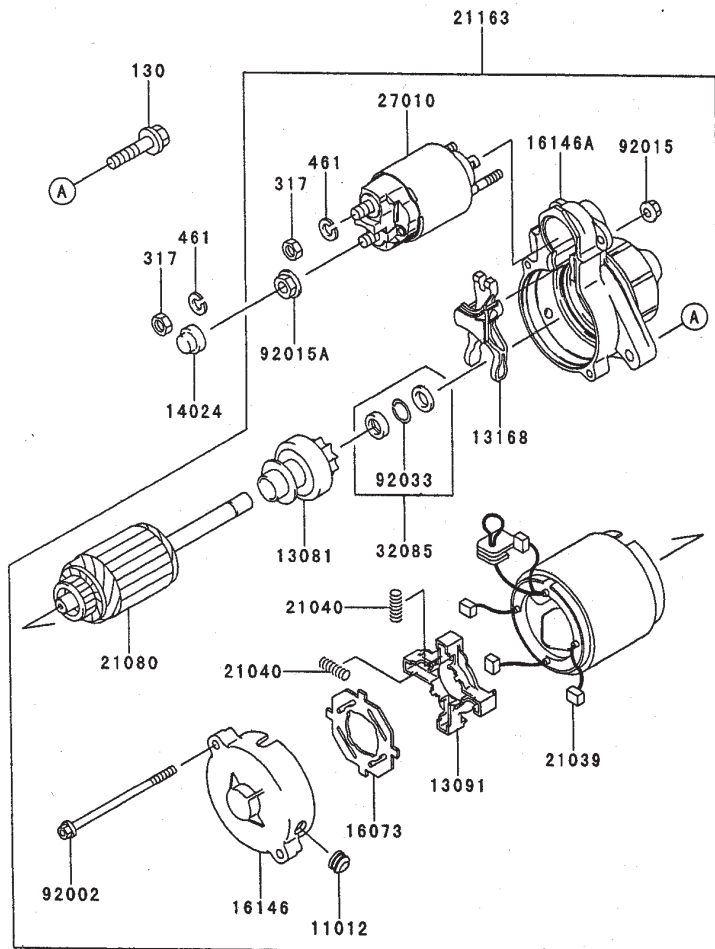
Obtain Parts from Kawasaki



Air Filter/Muffler Assembly Kawasaki FD750D-AS03

Ref. No.	Part No.	Qty.	Description	Ref. No.	Part No.	Qty.	Description
11051	11051-2088	1	Bracket				
11060	11060-2467	2	Gasket-Muffler				
11060A	11060-2474	2	Gasket-Air Filter				
14073	14073-2075	1	Duct-Lower				
14073A	14073-2076	1	Duct-Upper				
16060	16060-2197	1	Pipe-Intake				
92037	92037-1654	1	Clamp				
92093	92093-2118	1	Seal				
92170	92170-2075	1	Clamp				
130	130G0620	3	Bolt-Flanged				
317	317R0800	1	Nut-Hex				
461	461F0800	1	Washer-Spring				

Obtain Parts from Kawasaki



Starter Assembly Kawasaki FD750D-AS03

Ref. No.	Part No.	Qty.	Description	Ref. No.	Part No.	Qty.	Description
11012	11012-2226	1	Cap				
13081	13081-2108	1	Clutch ASM				
13091	13091-2068	1	Holder-Brush				
13168	13168-2131	1	Lever-Shift				
14024	14024-2205	1	Cover				
16073	16073-2098	1	Insulator				
16146	16146-2187	1	Cover ASM				
16146A	16146-2225	1	Cover ASM				
21039	21039-2059	4	Brush				
21040	21040-2052	4	Spring-Brush				
21080	21080-2054	1	Armature				
21163	21163-2120	1	Starter-Electric				
27010	27010-2122	1	Switch				
32085	32085-2097	1	Stopper				
92002	92002-2277	2	Bolt				
92015	92015-2146	2	Nut				
92015A	92015-2147	1	Nut				
92033	92033-2081	1	Ring-Snap				
130	130G0835	2	Bolt-Flanged				
317	317B0800	2	Nut-Hex				
461	461F0800	2	Washer-Spring				

Obtain Parts from Kawasaki

