



Z257

Z Master[®] with 52in SFS Side Discharge Mower

Model No. 74230—230006001 and Up

Parts Catalog

Ordering Replacement Parts

To order replacement parts, please supply: the part number, the quantity, and the description of each part desired.

Understanding Reference Numbers

Each identified part in an illustration has a reference number. The reference number for a part also appears in the parts list, along with other information about the part.

This catalog uses two special reference number formats, one to indicate parts in a service assembly and another to indicate the quantity of a given part in an illustration.

Service Assembly Reference Numbers

Parts in service assemblies have reference numbers in the form **a:b**. The **a** represents the reference number of the entire service assembly and the **b** represents a sequential number unique to each part within the service assembly.

For example, a wheel assembly might be identified by reference number **6**, the tire by **6:1**, the valve by **6:2**, and the wheel by **6:3**. When you order the assembly identified by reference number **6**, you receive all parts identified by reference numbers **6:1**, **6:2**, and **6:3**. However, you may also order any part individually.

Reference numbers of this type appear in illustrations and in part lists.

Reference Numbers Indicating Quantity

In an illustration, if a reference number indicates more than one part, the reference number has the form **nX y**. The **n** represents the quantity of the part, the **X** is the multiplication symbol, and the **y** represents the reference number.

For example, in an illustration, the reference number **2X 37** means that two of the parts identified by reference number **37** are indicated.

Contents

Description	Page	Description	Page
Front Frame Assembly	4	Group 2 – Crankcase Assembly	
Caster and Wheel Assembly	5	Kohler CH740–0007	26
Main Frame Assembly	6	Group 3 – Oil Pan/Lubrication Assembly	
Brake and Wheel Hub Assembly	7	Kohler CH740–0007	27
Steering Control Assembly	8	Group 4 – Head/Valve/Breather Assembly	
Hydraulic System Assembly	9	Kohler CH740–0007	28
Seat Assembly	11	Group 5 – Ignition/Electrical Assembly	
Seat Assembly No. 1–633705	12	Kohler CH740–0007	30
Deck Connection Assembly	13	Group 6 – Blower Housing Assembly	
Drive Idler Assembly	14	Kohler CH740–0007	31
Stand Assembly	15	Group 7 – Starter Assembly	
Engine and Clutch Assembly	16	Kohler CH740–0007	32
Guard Assembly	17	Group 8 – Fuel System Assembly	
Fuel System Assembly	18	Kohler CH740–0007	33
Electrical System Assembly	19	Group 9 – Engine Control Assembly	
Deck and Wheel Gage Assembly	20	Kohler CH740–0007	34
Deck Assembly No. 106–5879	21	Group 10 – Air Intake/Filtration Assembly	
Spindle and Pulley Assembly	22	Kohler CH740–0007	35
Belt and Idler Arm Assembly	23	Group 11 – Exhaust Assembly	
Electrical Schematic	24	Kohler CH740–0007	36
Group 1 – Crankshaft Assembly			
Kohler CH740–0007	25		

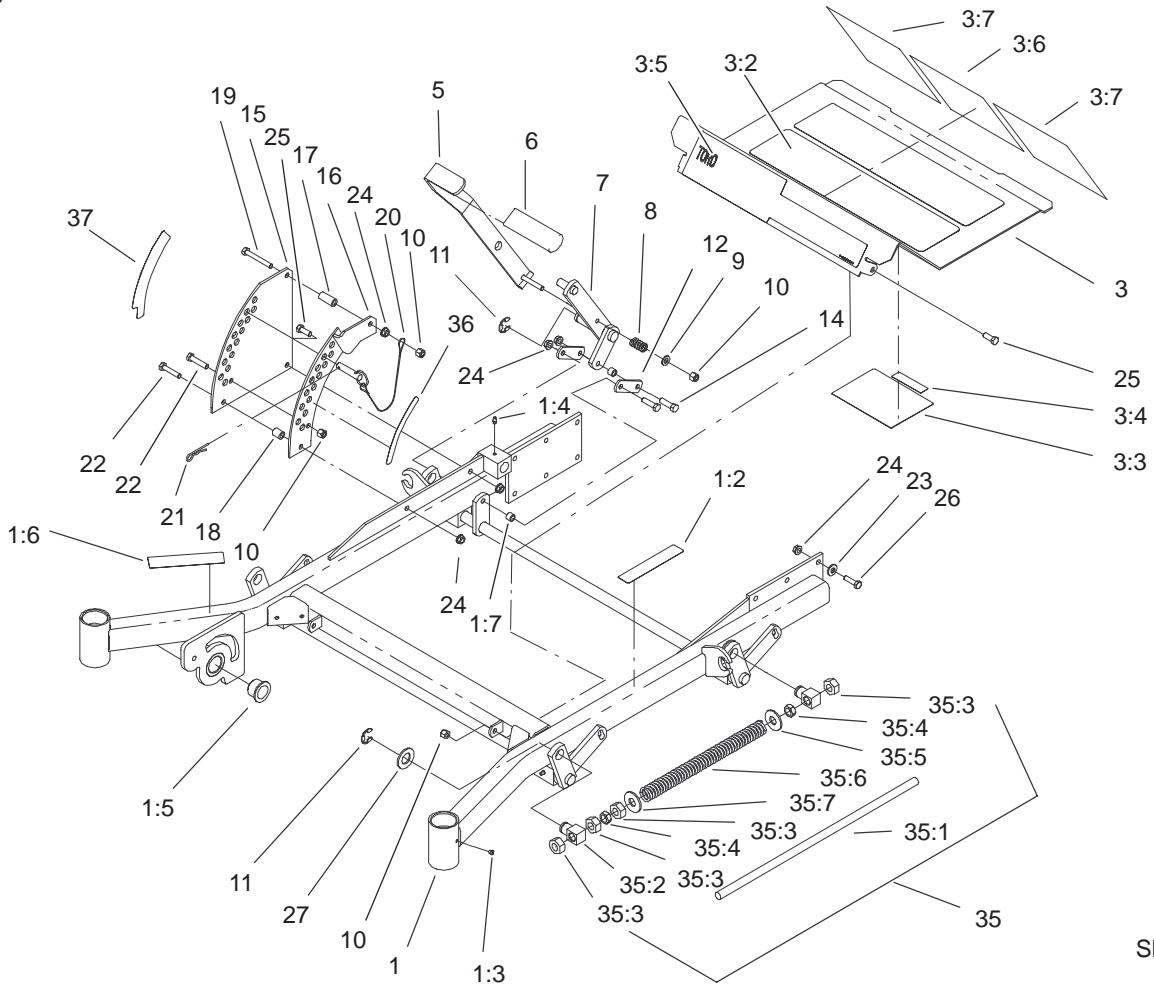
Accessories

Description	Model / Part No.	Description	Model / Part No.
Suspension Seat Kit	99–8522	Spark Arrestor Kit	105–1672
Atomic Blade Assembly	104–1301	Filter Minder	99–4664
Striping Kit	106–3370	DFS Bagger	78491
Recycler Kit	59225	Boot and Tube Kit (For DFS Bagger)	78494
Z–Recycler Kit	59227	Deck Lift Assist	100–4336
Hitch Kit	99–8925	ROPS	TORO Dealer

Part Description Abbreviations

Part descriptions in this catalog may include the following abbreviations.

Abbreviation	Meaning	Abbreviation	Meaning
AR	as required	HYD	hydraulic
ASM	assembly	INC	incorporated
CARR	carriage	LH	left hand
DEG	degrees	NI	nylon insert
FH	flat head	PPH	Phillips pan head
GA	gauge	PTH	Phillips truss head
HF	hex flange	PTO	power take off
HH	hex head	RH	right hand
HHF	hex head flange	SFH	slotted fillister head
HLH	hex lag head	SHH	slotted hex head
HJ	hex jam	SQH	square head
HOC	height-of-cut	SHWH	slotted hex washer head
HS	hex socket	SPH	slotted pan head
HSBH	hex socket button head	SRH	slotted round head
HSFH	hex socket flat head	STD	standard
HSH	hex socket head	TAP	self tapping
HWH	hex washer head	TTH	Torx truss head
HWHTF	hex washer head thread forming	WH	wing head



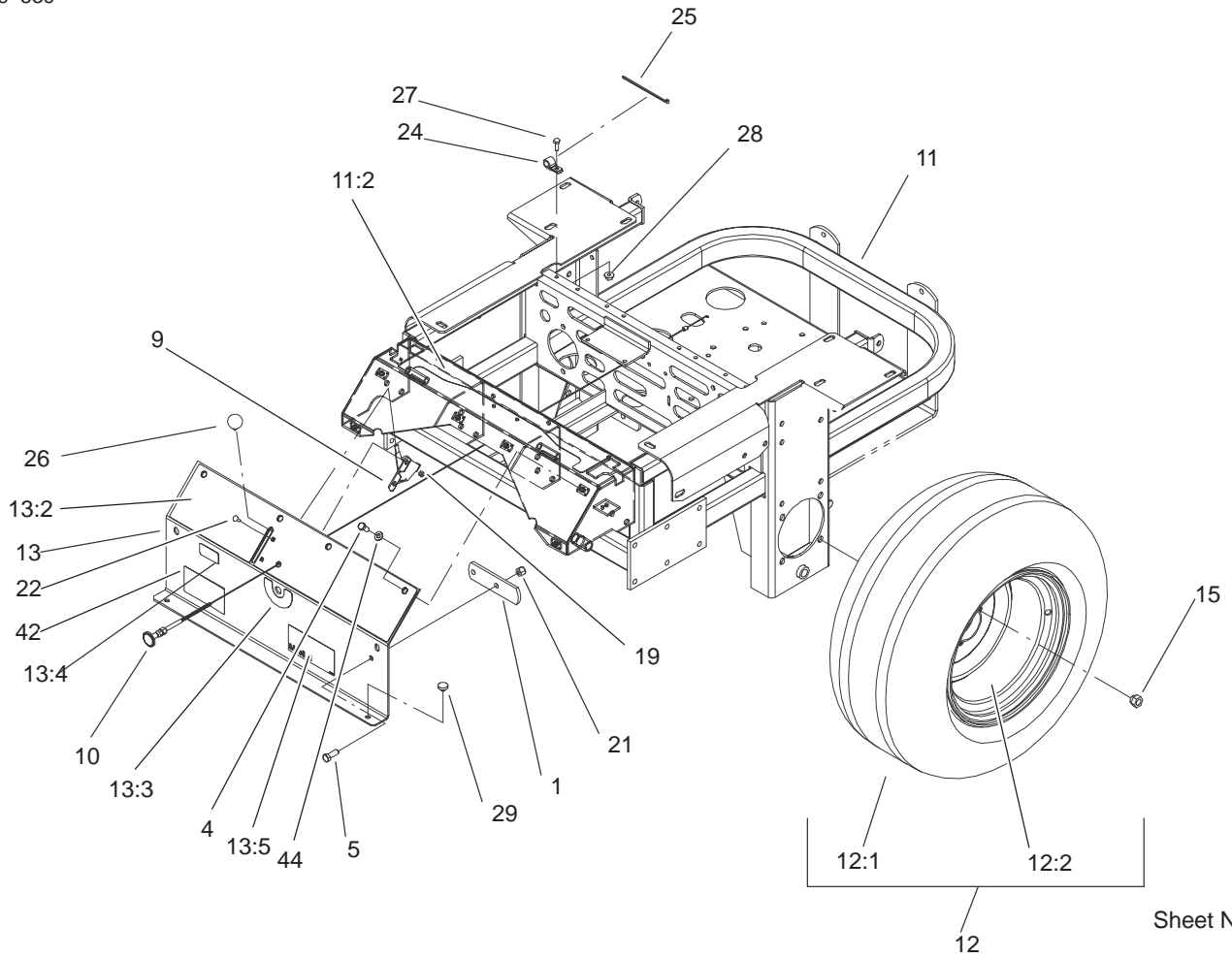
Sheet No.: 2

Front Frame Assembly

Ref. No.	Part No.	Qty.	Description
1	104-5131	1	Frame ASM
1:2	1-633818	1	Decal-Warning
1:3	1-811010	2	Plug
1:4	302-19	5	Fitting-Grease
1:5	94-1291	2	Bushing-Special
1:6	104-7759	1	Decal-Warning
1:7	103-1918	1	Bushing
3	106-6587	1	Floorpan ASM
3:2	1-633553	2	Pad-Antiskid
3:3	1-633766	1	Decal-Check
3:4	98-5954	1	Decal-Missing, Cover
3:5	1-633737	1	Decal
3:6	106-6571	1	Decal-Danger, Slope
3:7	106-6572	2	Pad, Anti Skid
5	103-2083-03	1	Lever-Lift
6	1-633295	1	Grip-Lever, Lift
7	103-2064-03	1	Arm-Lift, Deck
8	1-633325	1	Spring-Compression
9	3256-24	1	Washer-Flat
10	3296-39	5	Nut-Lock, NI
11	32151-103	5	Ring-Snap
12	1-633068	2	Arm-Lift, Deck
14	323-29	2	Screw-HH
15	1-633889-01	1	Plate-Lift, Deck
16	1-632899-01	1	Plate-Lift, Deck
17	1-633082	1	Bushing-Lever, Lift

Ref. No.	Part No.	Qty.	Description
18	1-633080	1	Bushing-Lever, Lift
19	323-13	1	Screw-HH
20	1-633097	1	Pin-Hitch W/Lanyard
21	1-806005	1	Pin-Hair
22	323-9	2	Screw-HH
23	98-5975	12	Washer-Belleville
24	3290-357	17	Nut-HHF
25	323-6	3	Screw-HH
26	323-7	12	Screw-HH
27	3256-29	4	Washer-Flat
☆35		2	Spring ASM
35:1	1-633096	1	Rod-Lift, Deck
35:2	1-633441	2	Swivel-Deck Mount, Rear
35:3	3217-11	4	Nut-Hex
35:4	3218-6	2	Nut-Jam
35:5	3256-7	1	Washer-Flat
35:6	1-653009	1	Spring-Compression
35:7	3256-27	1	Washer-Flat
36	1-633706	1	Decal-Height, Deck
37	1-633345	1	Decal-Height, Deck

☆ Not serviced separately

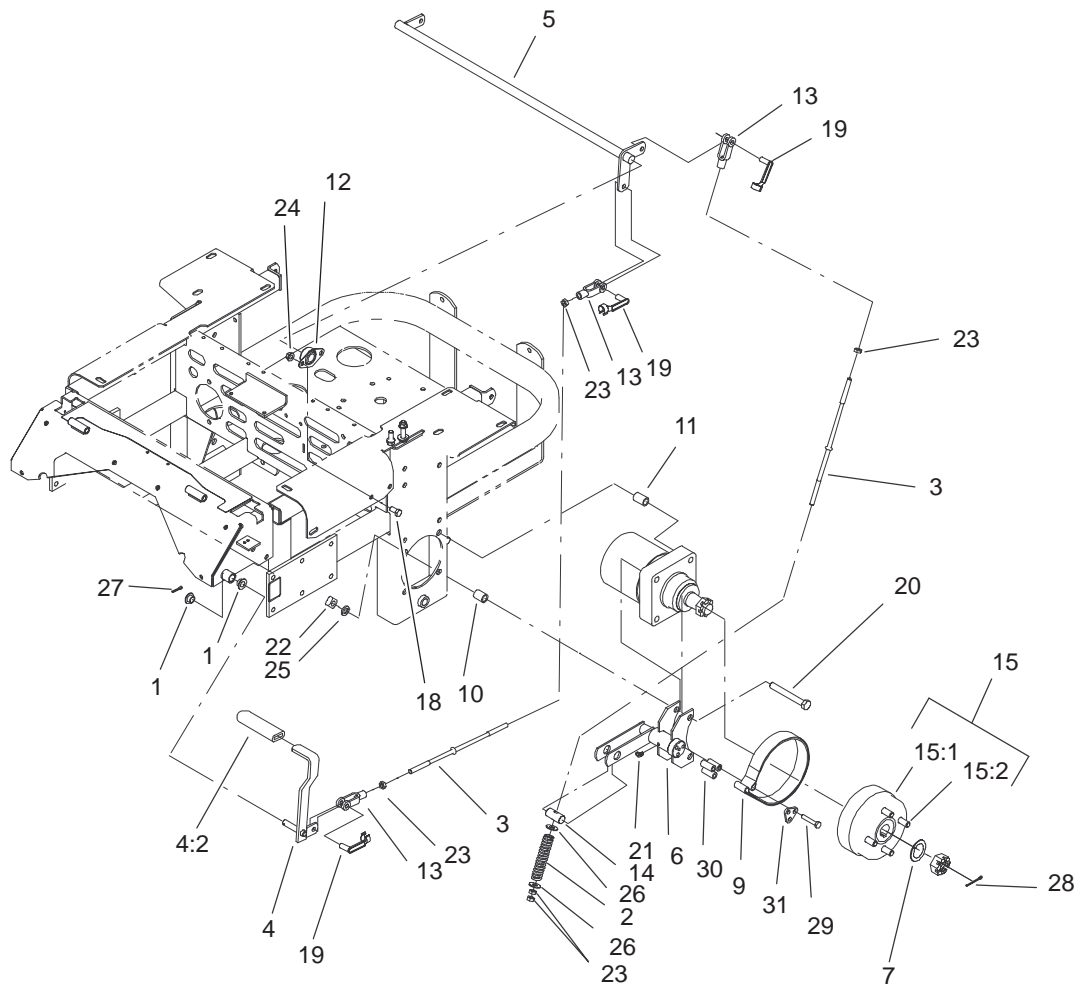


Sheet No.: 4

Main Frame Assembly

Ref. No.	Part No.	Qty.	Description
1	1-633964-03	1	Stop-Brake, Park
4	322-3	6	Screw-HH
5	323-6	2	Screw-HH
9	1-633696	1	Cable-Throttle
10	1-603336	1	Control-Choke
11	105-3648	1	Main Frame ASM
11:2	103-2433	1	Decal-Console, Top
12	1-653010	2	Wheel And Tire ASM
12:1	1-653160	1	Tire
12:2	1-653158	1	Wheel
13	106-6584	1	Console ASM
13:2	106-6570	1	Decal-Control Panel
13:3	103-0262	1	Decal-Valve, Fuel
13:4	98-4387	1	Decal-Protection, Ear
13:5	104-8172	1	Decal-Mobil 1
15	242-50	8	Nut-Lug
19	3296-2	2	Nut-Lock
21	3296-39	2	Nut-Lock, NI
22	1-807513	2	Bolt-CARR
24	1-513762	1	Clip-Loom
25	1-303335	1	Tie-Plastic
26	1-513592	1	Knob-Ball
27	321-4	1	Screw-HH
28	32128-33	1	Nut-HF
29	1-513658	2	Bumper-Catcher, Grass

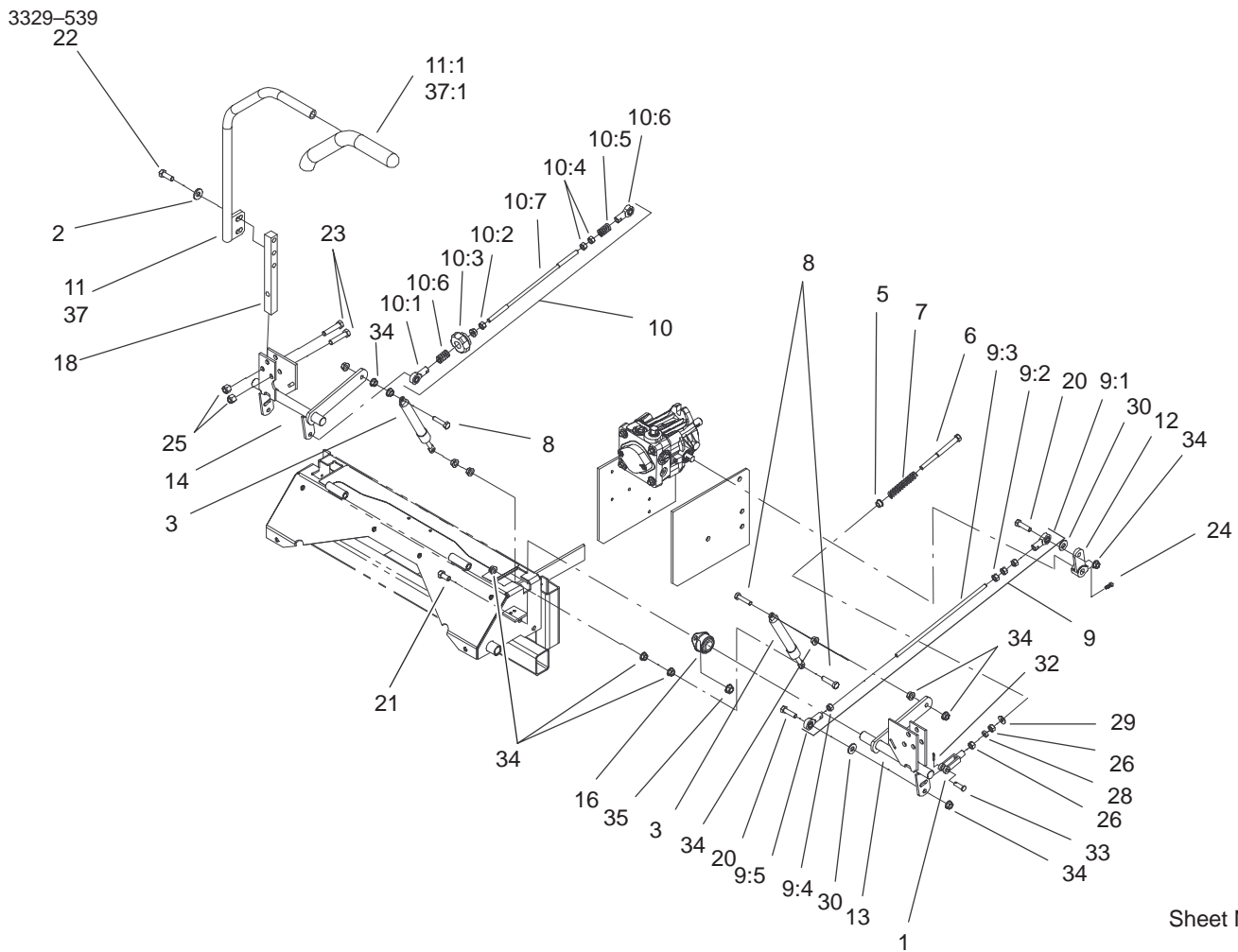
Ref. No.	Part No.	Qty.	Description
42	106-6561	1	Decal-Z257
44	3256-23	6	Washer-Flat



Sheet No.: 5

Brake and Wheel Hub Assembly

Ref. No.	Part No.	Qty.	Description	Ref. No.	Part No.	Qty.	Description
1	1-513140	2	Bearing-Control	27	3272-10	1	Pin-Cotter
2	1-633454	2	Spring-Brake	28	1-806800	2	Pin-Cotter
3	1-633477	3	Rod-Brake	29	322-9	6	Screw-HH
4	1-634500	1	Brake Lever ASM	30	103-0384	6	Spacer
4:2	1-633268	1	Grip-Lever, Brake	31	103-0374	2	Retainer-Band, Brake
5	1-632217-03	1	Shaft-Brake				
6	103-0352-03	2	Bracket-Brake				
7	1-523157	2	Washer-Spacer				
9	103-0355	2	Band-Brake				
10	1-633380	4	Spacer-Wheel, Short				
11	1-633382	4	Spacer-Wheel, Long				
12	1-633102	2	Bearing-Flange, Side				
13	1-633131	4	Yoke-Linkage, Brake				
14	1-633144	2	Pin-Trunion				
15	103-0590	2	Hub-Wheel				
15:1	103-0589	1	Hub-Wheel				
15:2	1-633926	4	Stud-Wheel				
18	323-4	4	Screw-HH				
19	103-2399	4	Pin-Spring, Clevis				
20	325-17	8	Screw-HH				
21	1481	2	Fitting-Grease				
22	103-0131	8	Nut-Square				
23	3219-3	8	Nut-HH				
24	3290-357	4	Nut-HHF				
25	3253-7	8	Washer-Lock				
26	3256-4	4	Washer-Flat				

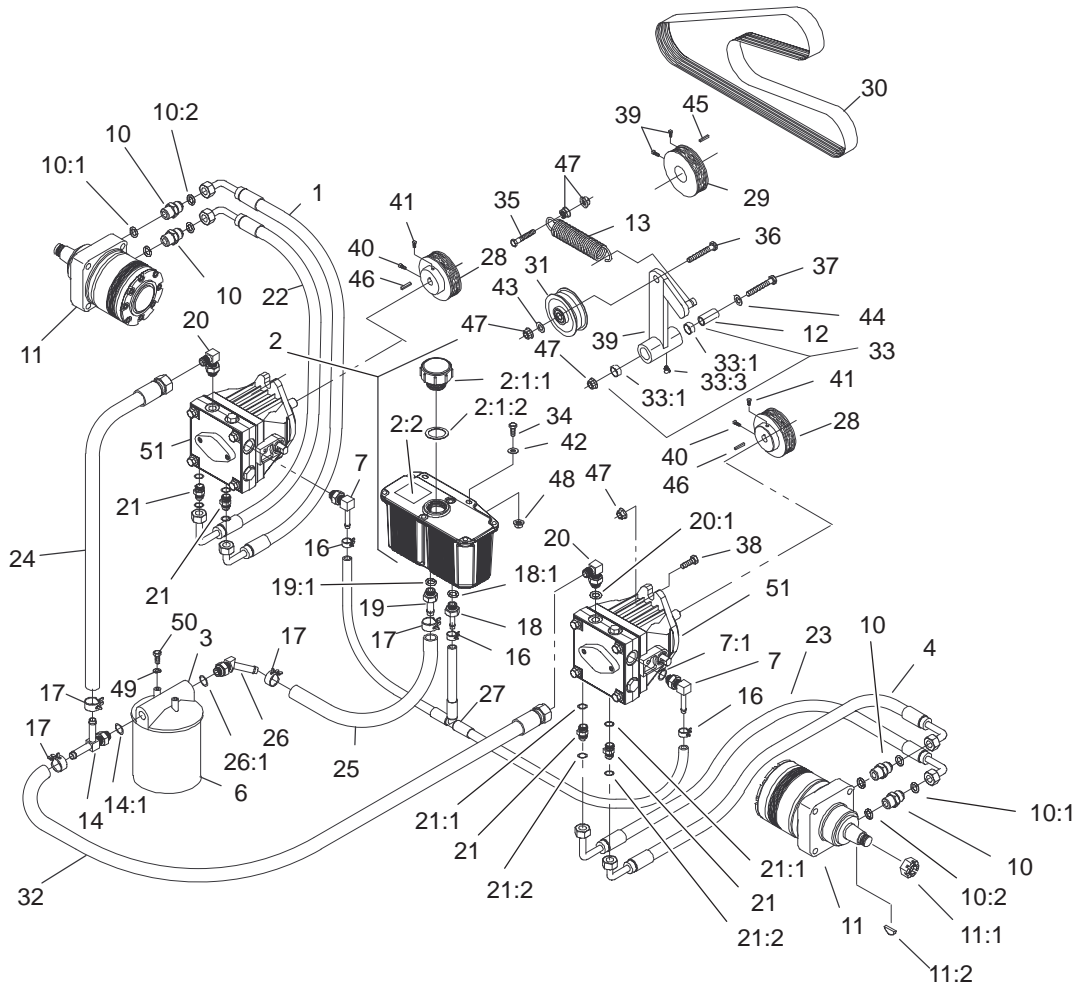


Sheet No.: 6

Steering Control Assembly

Ref. No.	Part No.	Qty.	Description
1	1-303105	2	Yoke-Adjustable
2	98-5975	4	Washer-Belleville
3	103-2913	2	Damper-Control, Motion
5	1-603735	2	Bushing-Flanged
6	1-603737	2	Bolt-Return, Neutral
7	1-603807	2	Spring-Return, Neutral
8	1-403180	4	Screw-HH
9	103-3074	1	LH Pump Linkage ASM
9:1	1-543017	1	Balljoint-RH
9:2	3219-2	3	Nut-Hex
9:3	103-3064	1	Link-Rod, Tracking
9:4	1-804524	1	Nut
9:5	1-633152	1	Balljoint-Thread, LH
10	103-3061	1	Tracking Rod ASM
10:1	1-543017	1	Balljoint-RH
10:2	3219-2	1	Nut-Hex
10:3	103-3060	1	Knob-Tracking
10:4	1-804524	2	Nut
10:5	1-323245	2	Spring-Compression
10:6	1-633152	1	Balljoint-Thread, LH
10:7	103-3064	1	Link-Rod, Tracking
11	103-0632	1	RH Lever ASM
11:1	1-633257	1	Grip-Control, Motion

Ref. No.	Part No.	Qty.	Description
12	1-632208	2	Arm-Control, Pump
13	1-642319	1	Control-Motion, LH
14	1-642320	1	Control-Motion, RH
16	1-633102	4	Bearing-Flange, Side
18	103-0407	2	Arm-Shaft, Control
20	322-6	4	Screw-HH
21	323-4	8	Screw-HH
22	323-6	4	Screw-HH
23	323-9	6	Screw-HH
24	1-803022	2	Screw-Set
25	3296-39	6	Nut-Lock, NI
26	3219-2	4	Nut-Hex
28	3220-2	2	Nut
29	3256-2	2	Washer-Flat
30	3256-3	4	Washer-Flat
32	3272-5	2	Pin-Cotter
33	1-808280	2	Pin-Clevis
34	32128-20	16	Nut-HF
35	3290-357	8	Nut-HHF
37	103-0631	1	LH Lever ASM
37:1	1-633257	1	Grip-Control, Motion



Sheet No.: 7

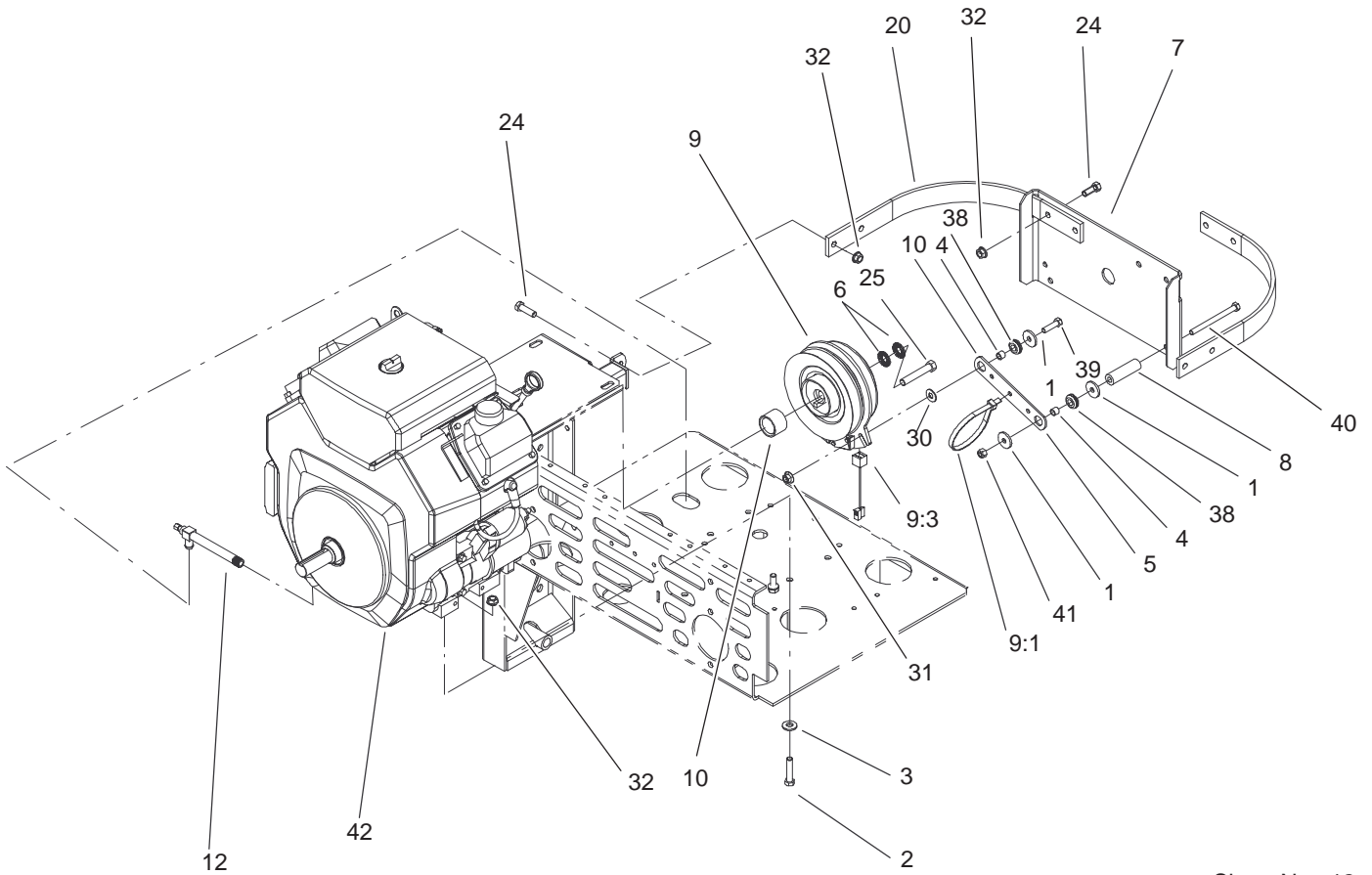
Hydraulic System Assembly

Ref. No.	Part No.	Qty.	Description
1	103-3736	1	HYD Hose ASM
2	103-1947	1	HYD Reservoir ASM
☆2:1		1	Reservoir-HYD
2:1:1	103-1948	1	Cap-Reservoir, HYD
2:1:2	103-1949	1	Gasket-Cap
2:2	1-523552	1	Decal-Tank, HYD
3	104-7836	1	Head-Filter
4	103-3733	1	HYD Hose ASM
6	1-633750	1	Filter-HYD
6	1-633752	1	Filter-HYD, Winter
7	103-1799	2	Elbow-90°
7:1	237-42	1	O-Ring
10	1-603991	4	Fitting-Straight
10:1	237-80	1	O-Ring
10:2	1-603992	1	O-Ring
11	1-523328	2	Motor-Wheel
11:1	1-809036	1	Nut-HH
11:2	3257-42	1	Key-Woodruff
*11:99	1-000099	1	Seal Kit
*11:99	1-000139	1	Bearing Kit
*11:99	103-2748	1	Drive Link Kit
12	1-603384	1	Bushing-Pivot, Idler
13	103-3330	1	Spring-Extension
14	103-1828	1	Adapter-Run, Tee
14:1	237-42	1	O-Ring
16	103-1716	3	Clamp-Hose

Ref. No.	Part No.	Qty.	Description
17	103-1988	4	Clamp-Hose
18	103-1801	1	Adapter-Straight
18:1	237-42	1	O-Ring
19	103-1912	1	Adapter-Straight
19:1	237-42	1	O-Ring
20	103-1802	2	Fitting-HYD, 90°
20:1	237-42	1	O-Ring
21	1-603990	4	Fitting-Straight
21:1	237-79	1	O-Ring
21:2	1-603992	1	O-Ring
22	103-3737	1	HYD Hose ASM
23	103-3735	1	HYD Hose ASM
24	103-1826	1	HYD Hose ASM
25	103-1808	1	Hose-HYD
26	103-1807	1	Elbow-45°
26:1	237-42	1	O-Ring
27	103-1806	1	HYD Hose ASM
28	1-633568	2	Sheave
29	1-633567	1	Sheave
30	1-633749	1	Belt-Drive, Pump
31	1-633167	1	Sheave-Idler
32	103-1827	1	HYD Hose ASM
33	1-634277	1	Bearing Arm ASM
33:1	1-513034	2	Sleeve-Bearing
33:3	302-40	1	Fitting-Grease
34	321-6	2	Screw-HH

☆ Not serviced separately

* Not illustrated



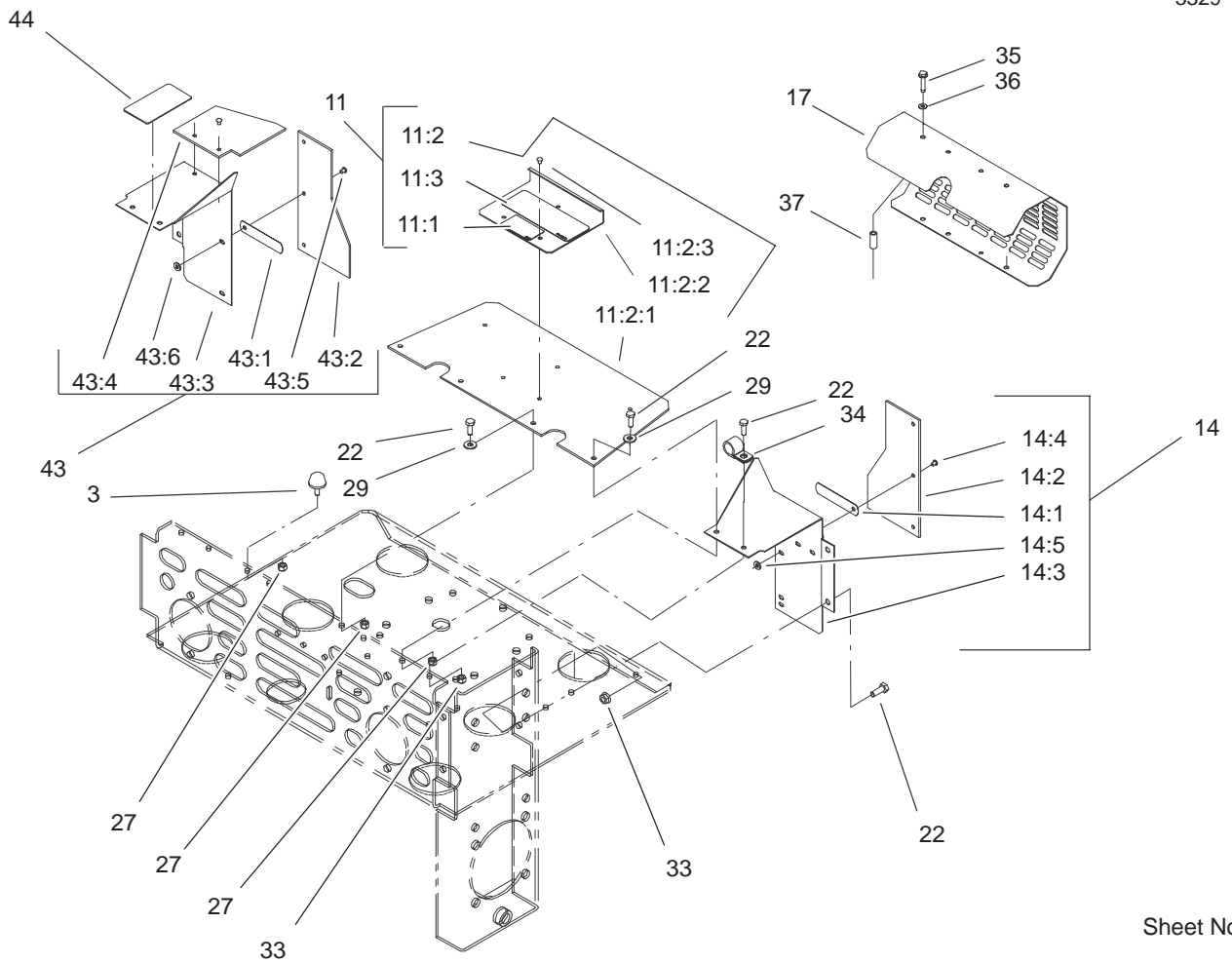
Sheet No.: 12

Engine and Clutch Assembly

Ref. No.	Part No.	Qty.	Description
1	1-613235	4	Washer
2	323-9	4	Screw-HH
3	98-5975	4	Washer-Belleville
4	1-633545	2	Spacer-Grommet
5	1-633543-03	1	Strap-Clutch, Brake
6	1-603610	2	Washer-Spring
7	1-633615-03	1	Guard-Clutch
8	1-633988	1	Spacer-Anchor, Clutch
9	103-0665	1	Clutch ASM
9:1	1-303335	1	Tie-Plastic
9:3	105-1670	1	Harness-Jumper, Clutch
10	1-633179	1	Spacer-Clutch
12	103-1996	1	Valve-Oil Drain, Long
20	1-643264-03	2	Bracket-Guard, Top
24	323-6	6	Screw-HH
25	3212-10	1	Screw-HH
30	3256-3	1	Washer-Flat
31	32128-20	1	Nut-HF
32	3290-357	8	Nut-HHF
38	1-633630	2	Grommet-Brake
39	322-6	1	Screw-HH
40	322-19	1	Screw-HH
41	3296-29	1	Nut-Lock, NI

Ref. No.	Part No.	Qty.	Description
☆42		1	Engine-Kohler, Ch740-0007

☆ Not serviced separately

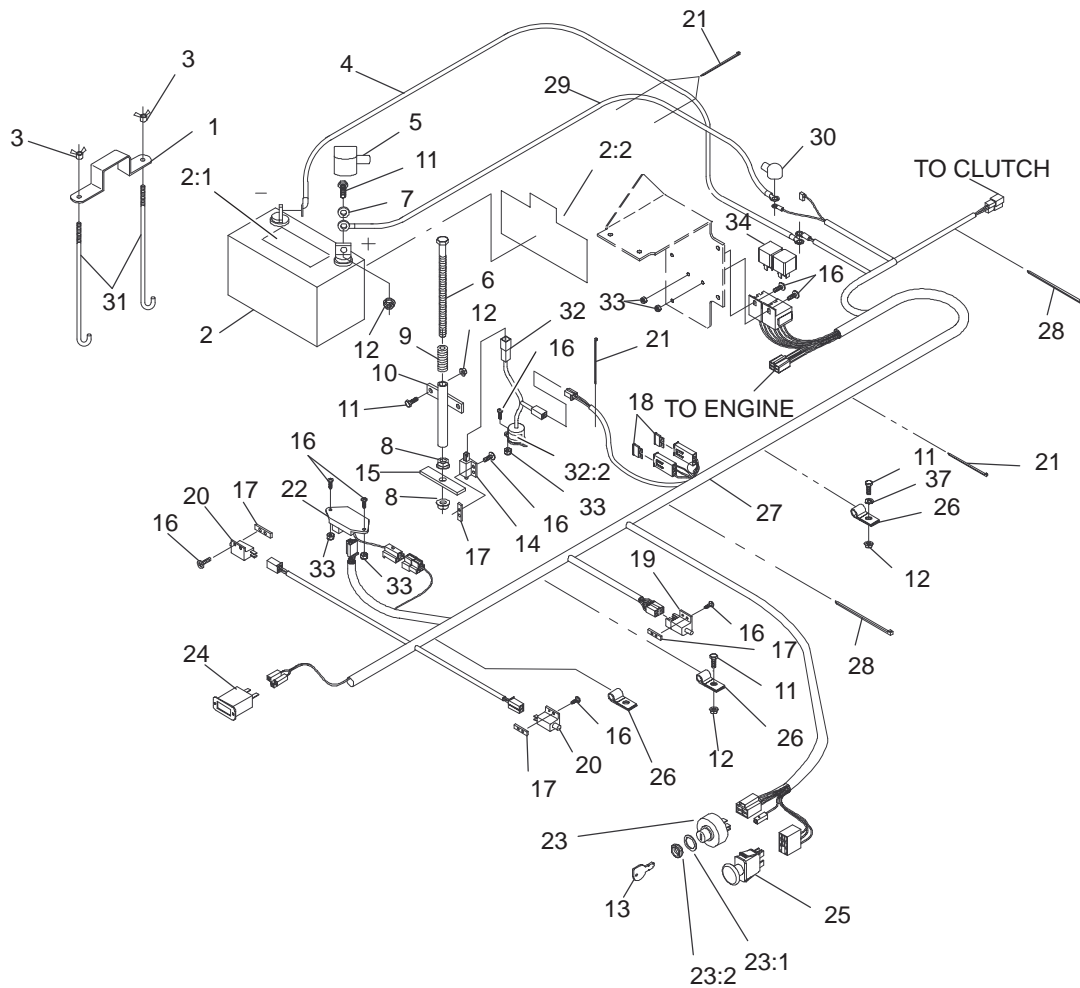


Sheet No.: 13

Guard Assembly

Ref. No.	Part No.	Qty.	Description
3	1-523420	2	Bumper
11	1-644276	1	Shield ASM
11:1	1-633462	1	Decal-Important
11:2	1-634308	1	Shield/Lift ASM
11:2:1	103-1308	1	Shield-Engine
11:2:2	1-633300-03	1	Lift-Shield
11:2:3	1-803035	3	Rivet-Pop
11:3	103-0368	1	Decal-Devices, Rotating
14	1-634796	1	LH Shield ASM
14:1	1-523285	1	Clip-Baffle, Rear
14:2	1-633301	1	Shield-Engine
14:3	1-633795-03	1	Baffle-Engine Shield, LH
14:4	1-803035	3	Rivet-Pop
14:5	3256-63	3	Washer-Flat
17	1-643313-03	1	Guard-Muffler
22	321-4	10	Screw-HH
27	3296-42	6	Nut-Lock, NI
29	3256-2	4	Washer-Flat
33	32128-33	5	Nut-HF
34	1-633396	1	Clip-Loom
35	1-809076	2	Screw
36	1-323235	2	Washer-Spring
37	1-323236	2	Spacer
43	1-644316	1	RH Shield ASM

Ref. No.	Part No.	Qty.	Description
43:1	1-523285	1	Clip-Baffle, Rear
43:2	1-633301	1	Shield-Engine
43:3	1-633794-03	1	Baffle-Engine Shield, RH
43:4	1-643315	1	Baffle-Cooler, Engine
43:5	1-803035	5	Rivet-Pop
43:6	3256-63	5	Washer-Flat
44	1-643339	1	Decal-Routing, Belt

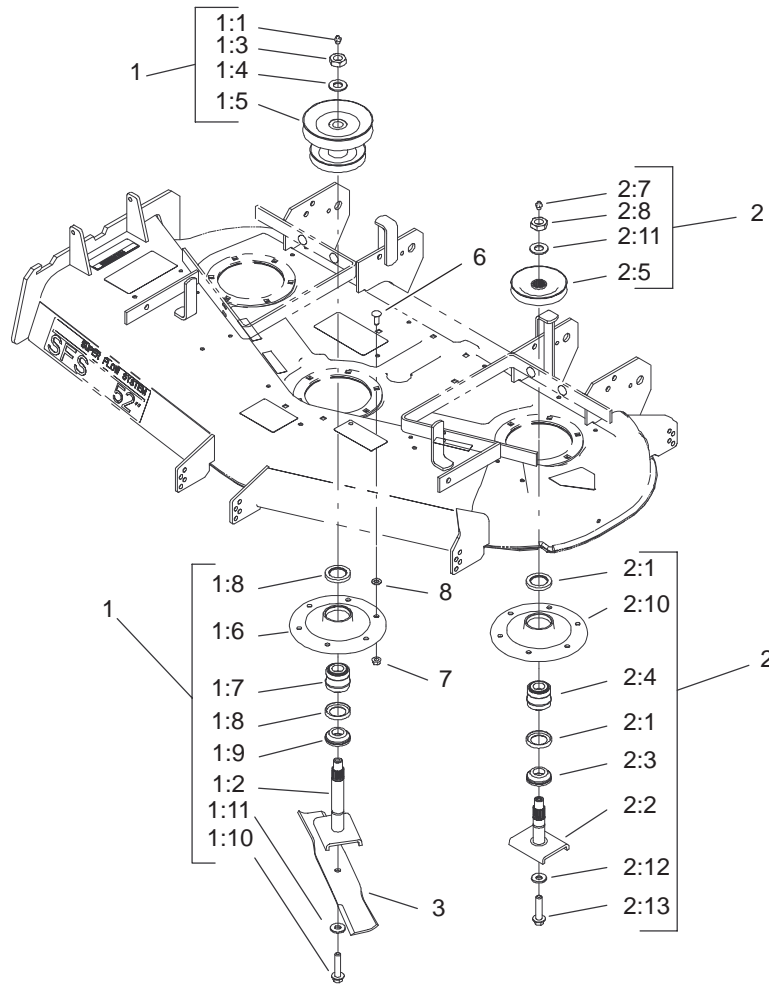


Sheet No.: 27

Electrical System Assembly

Ref. No.	Part No.	Qty.	Description
1	1-633652-03	1	Strap-Holddown
2	105-1692	1	Battery
2:1	104-4163	1	Decal-Battery
2:2	104-4164	1	Decal-Battery
3	1-543792	2	Wingnut
4	1-633307	1	Wire-Ground
5	1-543391	1	Insulator-Battery
6	1-800282	1	Screw-HH
7	3256-2	2	Washer-Flat
8	32128-20	2	Nut-HF
9	1-523415	1	Spring-Switch, Seat
10	1-522424-03	1	Mount-Spring, Seat
11	321-4	6	Screw-HH
12	32128-33	6	Nut-HF
13	63-8360	2	Key-Ignition
14	1-513152	1	Switch-Closed, Normally
15	1-513180	1	Plate-Switch, Seat
16	3290-500	14	Screw-PPH
17	1-633181	4	Plate-Tapped
18	1-816001	2	Fuse-Type, Blade
19	1-633111	1	Switch
20	1-513051	2	Switch-Open, Normally
21	1-303287	5	Tie-Plastic
22	100-6186	1	Module-Delay, Seat

Ref. No.	Part No.	Qty.	Description
23	88-9830	1	Key Switch ASM
23:1	3254-5	1	Washer-Tooth
23:2	218-461	1	Nut-HH
24	1-513374	1	Meter-Hour
25	1-633673	1	Switch-Delta
26	1-633396	3	Clip-Loom
27	100-4340	1	Harness-Wire
28	1-303335	2	Tie-Plastic
29	1-523281	1	Wire-Starter
30	1-543393	1	Insulator-Solenoid
31	1-633651	2	Bolt-Holddown
32	1-644427	1	Tilt Switch ASM
32:2	1-643401	1	Decal-Switch, Mercury
33	3296-2	6	Nut-Lock
34	1-643275	2	Relay
37	3256-22	1	Washer-Flat

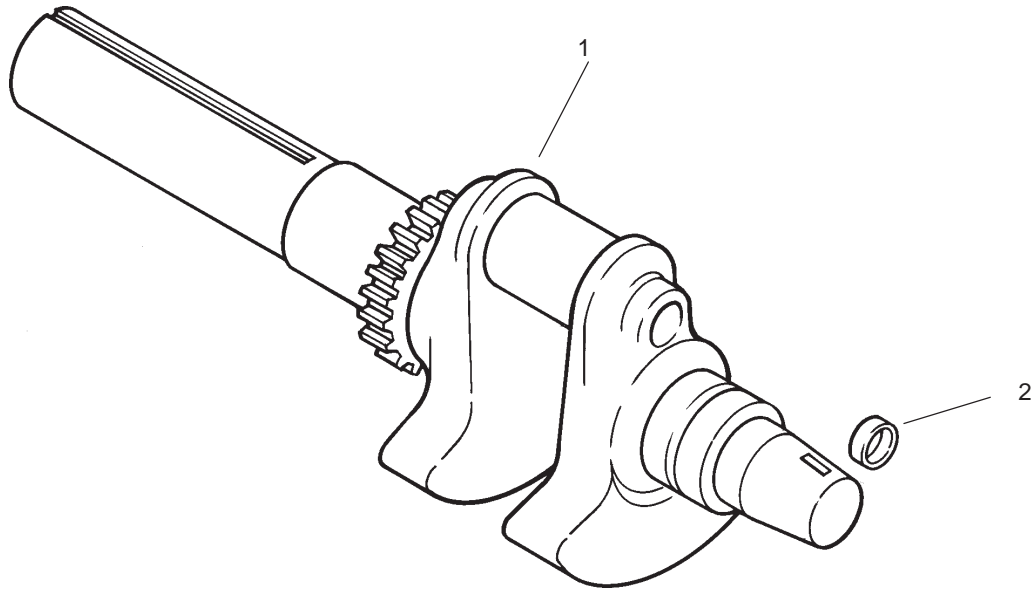


Sheet No.: 52

Spindle and Pulley Assembly

Ref. No.	Part No.	Qty.	Description
1	105-1687	1	Spindle Housing ASM
1:1	302-2	1	Fitting-Grease
1:2	105-1686	1	Spindle Shaft ASM
1:3	32146-20	1	Nut-Jam
1:4	92-5836	1	Washer
1:5	100-2312	1	Pulley/Hub ASM
1:6	61-4160	1	Housing
1:7	46-8530	1	Bearing ASM
1:8	253-139	2	Seal-Oil
1:9	27-0950	1	Spacer
1:10	92-5816	1	Bolt-Blade
1:11	1-513435	1	Washer-Spring
2	99-4639	2	Outer Spindle ASM
2:1	253-139	2	Seal-Oil
2:2	27-0920	1	Shaft
2:3	27-0950	1	Spacer
2:4	46-8530	1	Bearing ASM
2:5	99-4613	1	Pulley ASM
2:7	302-2	1	Fitting-Grease
2:8	32146-20	1	Nut-Jam
2:10	61-4160	1	Housing
2:11	7-4150	1	Washer
2:12	1-513435	1	Washer-Spring
2:13	92-5816	1	Bolt-Blade
3	27-0990	3	Blade
6	3231-22	16	Screw-CARR

Ref. No.	Part No.	Qty.	Description
7	32128-21	16	Nut-HF
8	3256-24	1	Washer-Flat

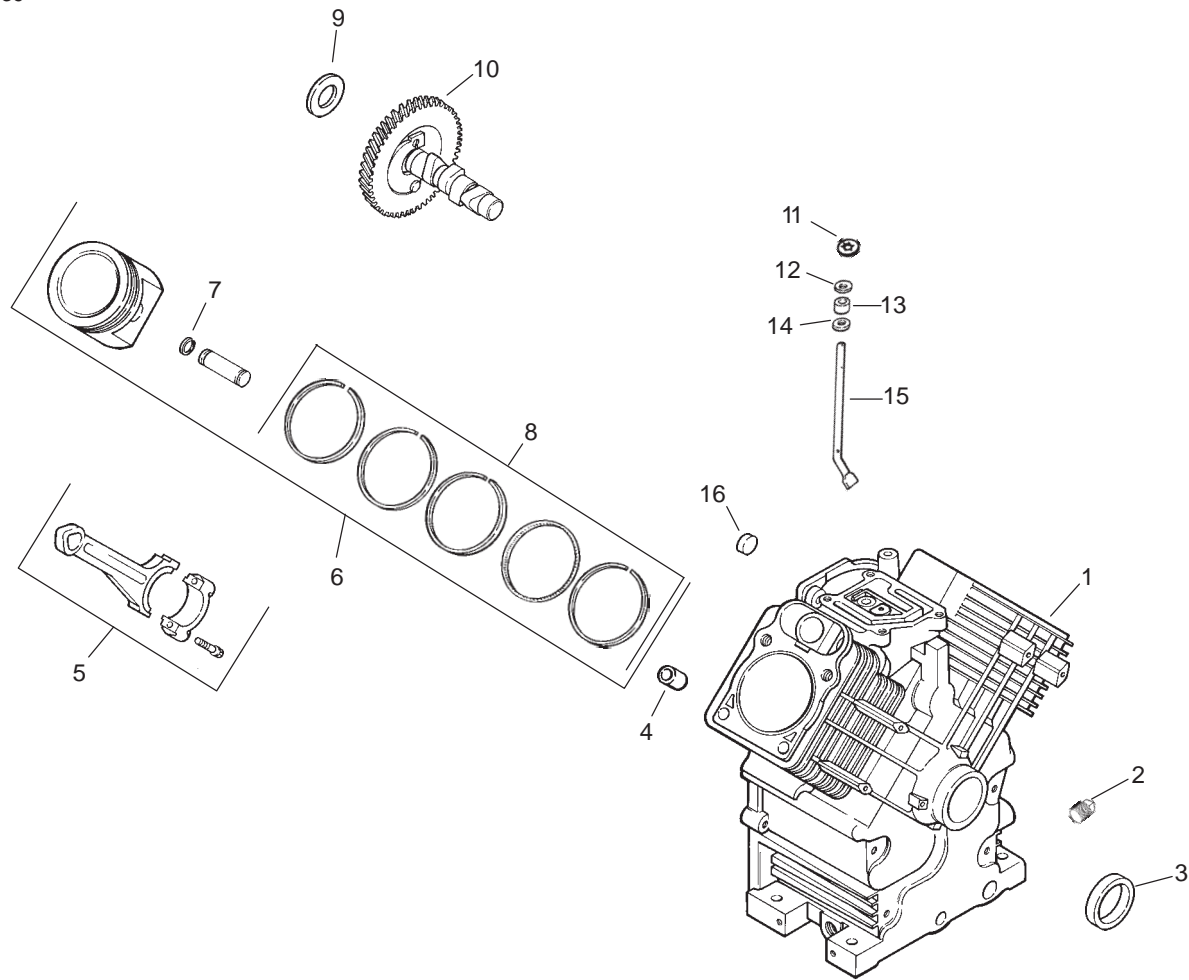


Group 1 – Crankshaft Assembly Kohler CH740-0007

Ref. No.	Part No.	Qty.	Description
1	24 014 06-S	1	Crankshaft (Includes 2)
2	52 139 09-S	1	Plug, cup

Ref. No.	Part No.	Qty.	Description

Obtain Parts from Kohler

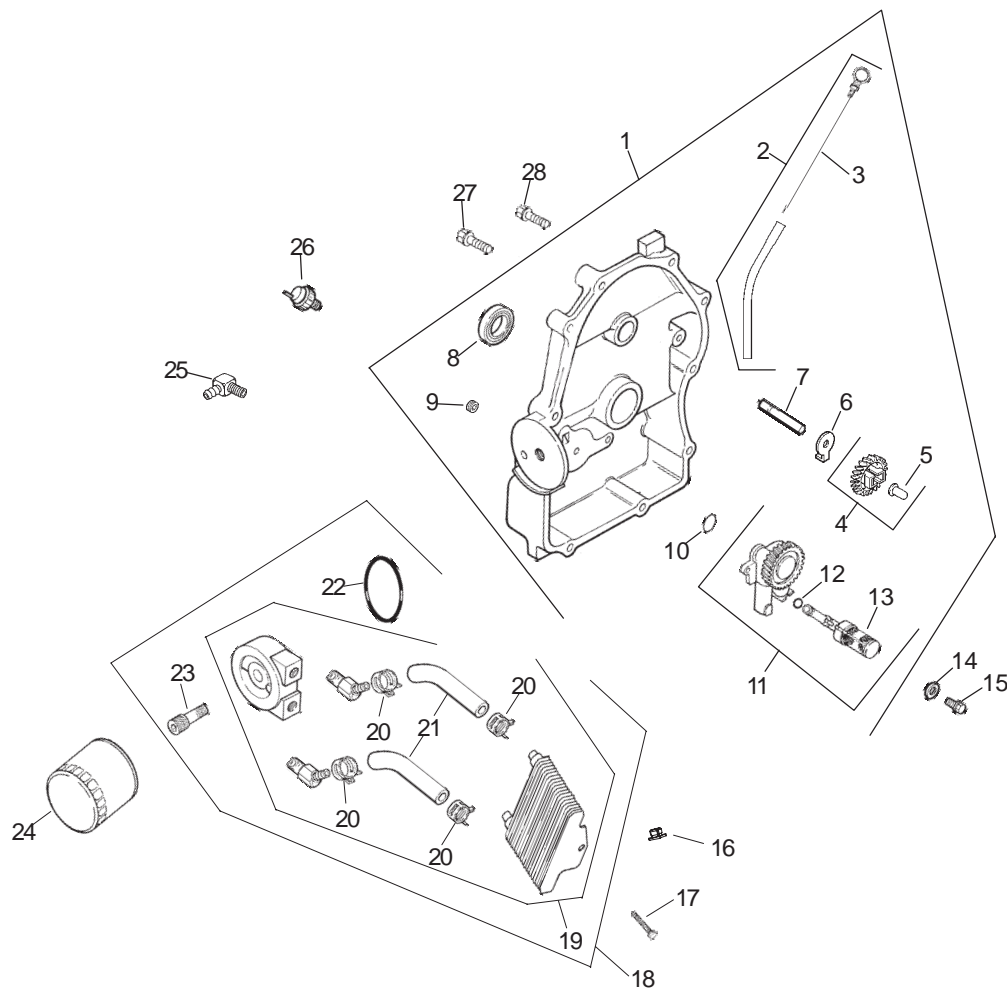


Group 2 – Crankcase Assembly Kohler CH740-0007

Ref. No.	Part No.	Qty.	Description
1	N/A	1	Crankcase (Use Short Block or Miniblock)
2	25 139 57-S	2	Plug, sq. hd. 3/8" N.P.T.F. (2)
3	24 032 01-S	1	Seal, oil front
4	24 380 13-S	6	Pin, locating
5	24 067 13-S	2	Connecting Rod (Std.)
	24 067 14-S	2	Connecting Rod (.25)
6	24 874 08-S	2	Piston w/Ring Set (Std.) (Includes 7,8)
	24 874 16-S	2	Piston w/Ring Set (.08)
7	24 018 01-S	4	Retainer, piston pin
8	24 108 04-S	2	Ring Set (Std. & .08)
9	12 422 09-S	1	Shim, camshaft (A.R.) red
	12 422 13-S	1	Shim, camshaft (A.R.) black
	12 422 07-S	1	Shim, camshaft (A.R.) white
	12 422 08-S	1	Shim, camshaft (A.R.) blue
	12 422 10-S	1	Shim, camshaft - yellow

Ref. No.	Part No.	Qty.	Description
	12 422 11-S	1	Shim, camshaft (A.R.) green
	12 422 12-S	1	Shim, camshaft (A.R.) gray
10	24 012 18-S	1	Camshaft
11	24 018 09-S	1	Retainer, ring
12	M-931010-S	1	Washer, plain 9 mm
13	28 032 09-S	1	Seal, governor cross shaft
14	24 468 15-S	1	Washer, flat 1/4"
15	24 144 38-S	1	Shaft, governor cross
16	52 139 09-S	1	Plug, cup

Obtain Parts from Kohler

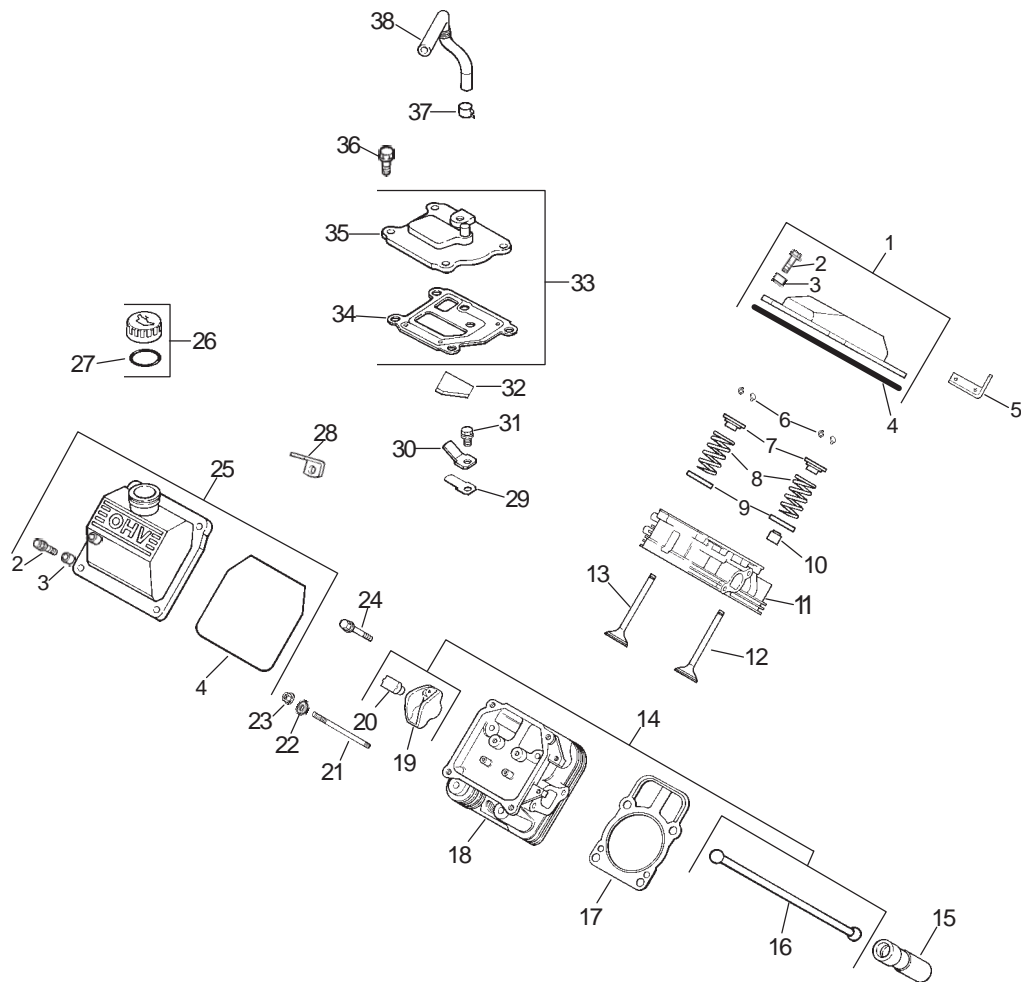


Group 3 – Oil Pan/Lubrication Assembly Kohler CH740-0007

Ref. No.	Part No.	Qty.	Description	Ref. No.	Part No.	Qty.	Description
1	24 009 83-S	1	Plate, closure assembly (Includes 2-13)	17	25 086 49-S	2	Screw, tapping 1/4-10x3/4
2	24 755 121-S	1	Tube assembly, dipstick (Includes 3)	18	54 755 21-S	1	Kit, oil cooler (Includes 19-23)
3	24 038 10-S	1	Dipstick	19	24 594 09-S	1	Cooler assembly, oil (Includes 20,21)
4	24 043 12-S	1	Kit, governor gear (Includes 5)	20	24 237 10-S	4	Clamp, oil cooler hose
5	12 380 01-S	1	Pin, governor regulating	21	24 326 15-S	2	Hose, oil cooler
6	52 448 02-S	1	Tab, locking	22	24 153 13-S	1	O-Ring
7	12 144 02-S	1	Shaft, governor gear	23	28 136 01-S	1	Nipple, oil filter
8	52 032 08-S	1	Seal, oil (PTO end)	24	52 050 02-S	1	Filter, oil
9	25 139 60-S	1	Plug, pipe hex. ctsk. 1/8"	25	25 155 02-S	1	Connector
10	24 153 08-S	1	O-Ring	26	24 099 03-S	1	Switch, pressure
11	24 393 10-S	1	Oil pump assembly (Includes 12,13)	27	24 086 16-S	9	Screw, hex. flange M8x1.25x45
12	24 153 01-S	1	O-Ring, oil pick-up	28	24 086 17-S	1	Screw, hex. flange M8x1.25x45
13	24 381 04-S	1	Pick-up, oil	*	24 113 25-S	1	Decal, oil cooler
14	M-631005-S	2	Washer, plain 6 mm				
15	M-645025-S	2	Screw, hex. flange M6x1.0x25				
16	24 100 01-S	2	Nut, plastic				

Obtain Parts from Kohler

* Not Illustrated

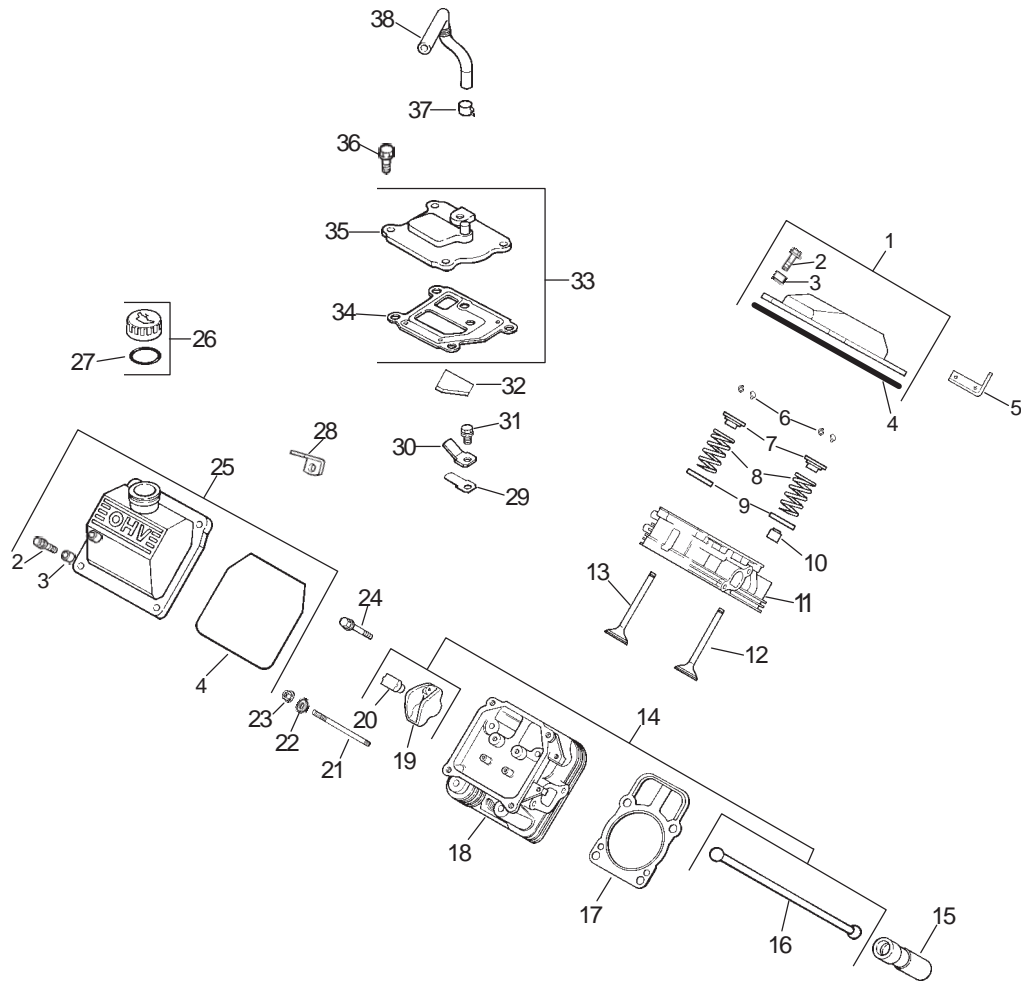


Group 4 – Head/Valve/Breather Assembly Kohler CH740-0007

Ref. No.	Part No.	Qty.	Description
1	24 755 74-S	1	Kit, valve cover-plain (Includes 2-4)
2	M-651030-S	4	Screw, hex. flange M6x1.0x30
3	24 112 08-S	4	Spacer
4	24 153 23-S	1	O-Ring, valve cover
5	24 445 01-S	1	Strap, lifting
6	12 755 03-S	4	Kit, retainer
7	12 173 01-S	4	Cap, valve spring
8	24 089 02-S	4	Spring, valve
9	235011-S	4	Retainer, spring
10	66 032 05-S	2	Seal, valve stem
11	24 318 65-S	1	Head assembly, #1 cylinder
12	24 017 01-S	2	Valve, intake (Std.)
	24 017 02-S	2	Valve, intake (.25)
13	24 016 01-S	2	Valve, exhaust (Std.)
	24 016 02-S	2	Valve, exhaust (.25)
14	24 755 66-S	1	Kit, valve train (Includes 16,19,20)
15	25 351 01-S	4	Lifter, valve
16	24 411 05-S	4	Rod, push
17	24 041 37-S	2	Gasket, cylinder head

Ref. No.	Part No.	Qty.	Description
18	24 318 66-S	1	Head assembly, #2 cylinder
19	25 186 01-S	4	Arm, rocker
20	24 599 01-S	4	Pivot, rocker arm
21	24 072 09-S	8	Stud, cylinder head M8x1.25x20
			M10x1.5x33, 105 mm long
22	24 468 16-S	8	Washer, flat 8 mm
23	24 100 10-S	8	Nut, hex. flange M8x1.25
24	M-640034-S	4	Screw, hex. flange M6x1.0x34
25	24 755 75-S	1	Kit, valve cover-oil fill (Includes 2-4)
26	24 755 46-S	1	Kit, oil fill cap (Includes 27)
27	25 153 02-S	1	O-Ring
28	12 445 05-S	1	Strap, lifting
29	24 402 03-S	1	Reed, breather
30	12 018 01-S	1	Retainer, breather reed
31	M-545010-S	1	Screw, hex. flange M5x0.8x10
32	24 050 01-S	1	Filter, breather

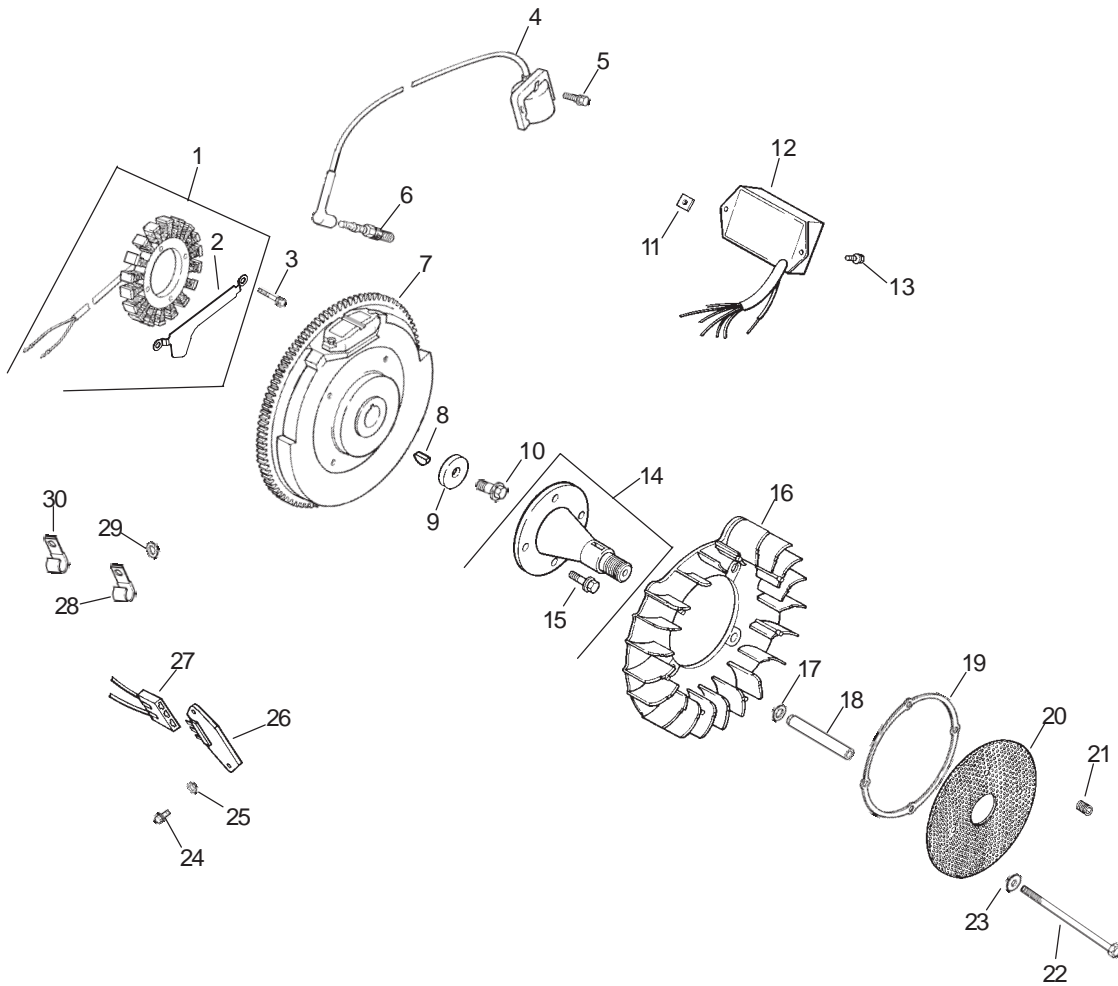
Obtain Parts from Kohler



Group 4 – Head/Valve/Breather Assembly (Continued) Kohler CH740-0007

Ref. No.	Part No.	Qty.	Description	Ref. No.	Part No.	Qty.	Description
33	24 033 01-S	1	Kit, breather (Includes 34,35)				
34	24 041 23-S	1	Gasket, breather				
35	24 096 86-S	1	Cover, breather				
36	M-645020-S	4	Screw, hex. flange M6x1.0x20				
37	25 237 08-S	2	Clamp, breather				
38	24 326 31-S	1	Hose, breather				

Obtain Parts from Kohler



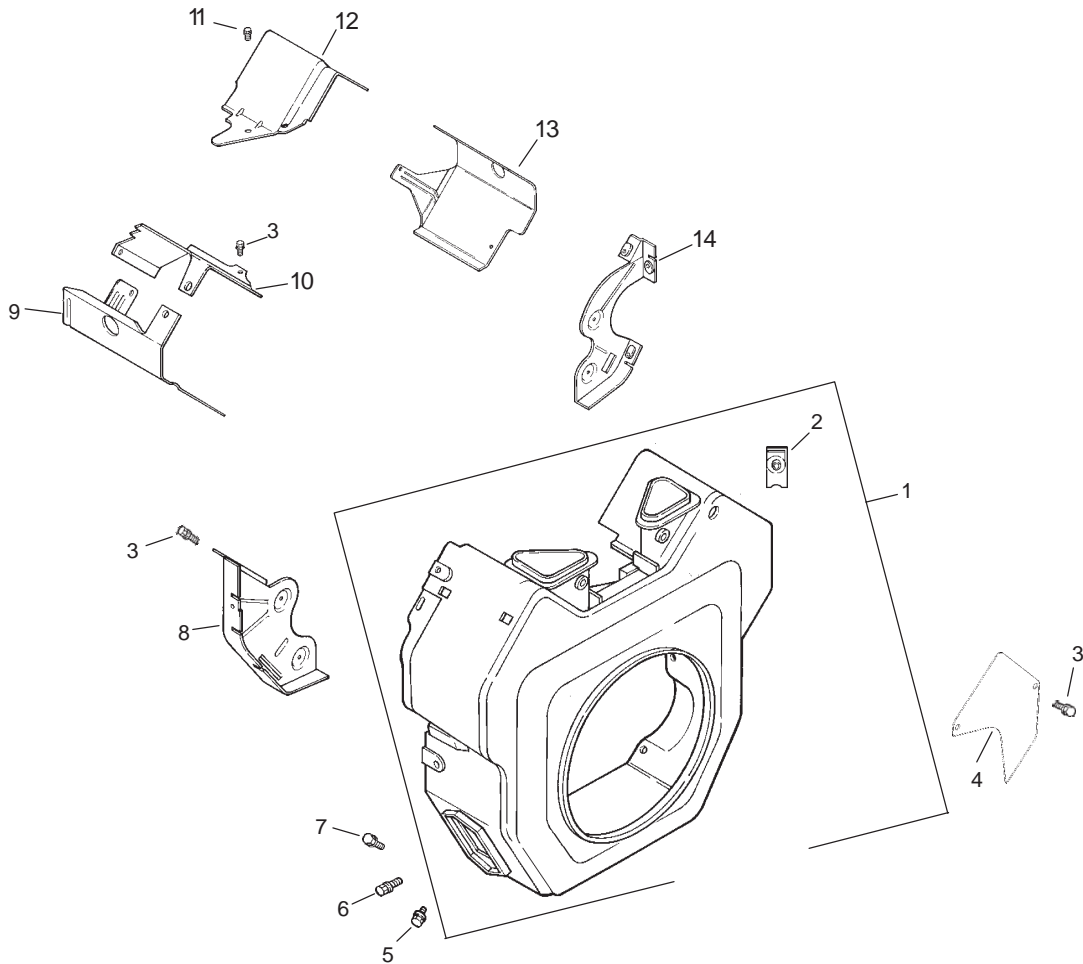
Group 5 – Ignition/Electrical Assembly Kohler CH740-0007

Ref. No.	Part No.	Qty.	Description
1	54 755 09-S	1	Kit, stator (Includes 2)
2	24 126 71-S	1	Bracket, stator wire
3	M-548025-S	2	Screw, hex. cap M5x0.8x25
4	24 584 15-S	2	Module, ignition
5	M-561025-S	4	Screw, thread forming M5x0.8x16
6	12 132 06-S	2	Spark Plug
7	24 025 25-S	1	Flywheel
8	X-42-15-S	1	Key
9	12 468 03-S	1	Washer, plain 3/8"
10	12 086 14-S	1	Screw, hex. flange M10x1.5x46
11	24 100 02-S	2	Nut, plastic
12	24 584 27-S	1	Module, spark advance
13	24 086 41-S	2	Screw, phillips hd. 11-16x1/2"
14	24 755 08-S	1	Kit, front drive shaft (Includes 15)
15	M-839025-S	4	Screw, hex. flange M8x1.25x25
16	24 157 07-S	1	Fan
17	24 468 11-S	4	Washer, spring
18	24 112 14-S	4	Spacer, grass screen

Ref. No.	Part No.	Qty.	Description
19	24 141 06-S	1	Ring, support
20	24 162 22-S	1	Screen, grass
21	25 086 43-S	1	Screw, set
22	M-603100-S	4	Screw, hex. cap M6x1.0x100
23	X-25-53-S	4	Washer, plain 1/4"
24	24 086 18-S	2	Screw, phillips hd. 11-16x7/8
25	X-25-92-S	2	Washer, plain 3/16"
26	25 403 03-S	1	Rectifier-regulator 15 amp
27	236602-S	1	Connector (3 contact)
28	47 154 01-S	1	Clip, cable
29	X-25-63-S	1	Washer, plain 1/4"
30	48 154 02-S	1	Clip, cable
*	24 518 12-S	1	Lead, black, (5" – 12 gauge – insulated grip barrel eyelet terminals)
*	X-22-11-S	1	Washer, lock 1/4" (for ground screw & wire)
*	24 176 98-S	1	Harness, wiring
*	25 454 03-S	2	Tie, cable

Obtain Parts from Kohler

* Not Illustrated



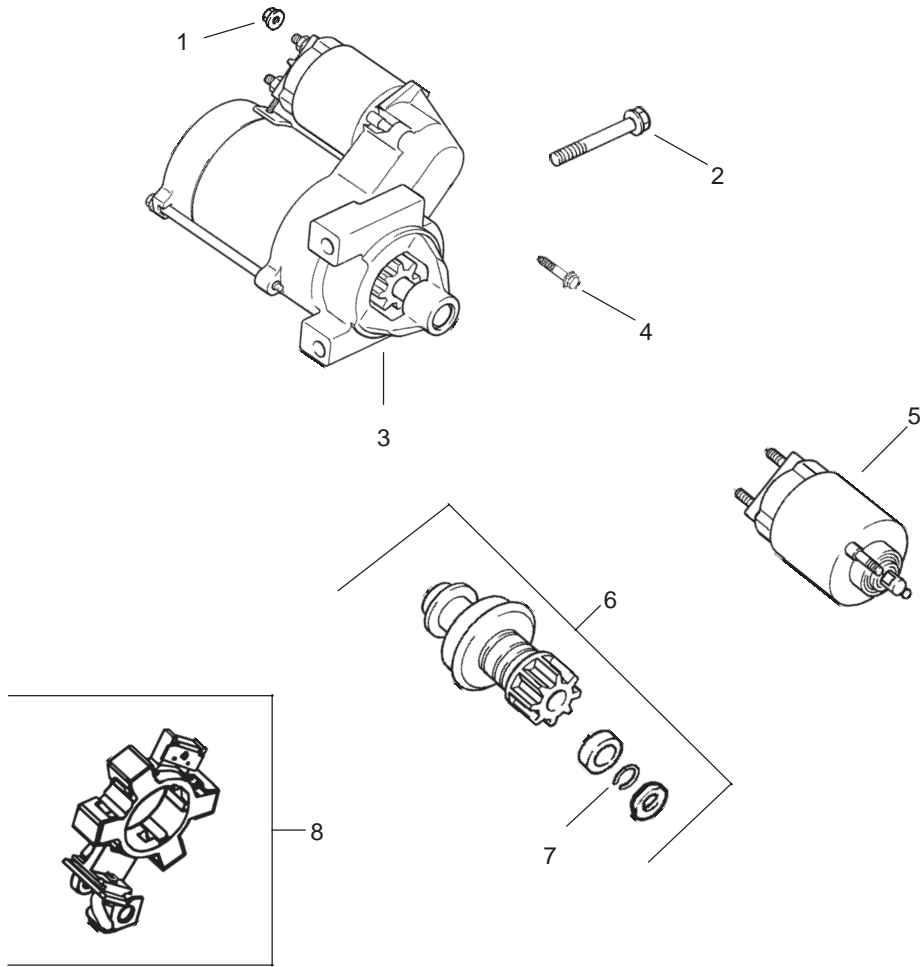
Group 6 – Blower Housing Assembly Kohler CH740-0007

Ref. No.	Part No.	Qty.	Description
1	84 027 13-S	1	Housing, blower (Includes 2)
2	25 154 02-S	4	Clip
3	M-645016-S	10	Screw, hex. flange M6x1.0x16
4	24 096 63-S	2	Cover, access
5	M-551016-S	1	Screw, hex. flange M5x0.8x16
6	M-545016-S	2	Screw, hex. flange M5x0.8x16
7	M-545020-S	4	Screw, hex. flange M5x0.8x20
8	24 146 19-S	1	Plate, backing – #2 side
9	24 063 39-S	1	Baffle, cylinder barrel-#2 side
10	24 063 17-S	1	Baffle, valley – #2 side
11	M-545010-S	2	Screw, hex. flange M5x0.8x10
12	24 063 59-S	1	Baffle, valley – #1 side
13	24 063 58-S	1	Baffle, cylinder barrel-#1 side

Ref. No.	Part No.	Qty.	Description
14	24 146 20-S	1	Plate, backing – #1 side
*	24 113 124-S	1	Decal, 27 HP

Obtain Parts from Kohler

* Not Illustrated

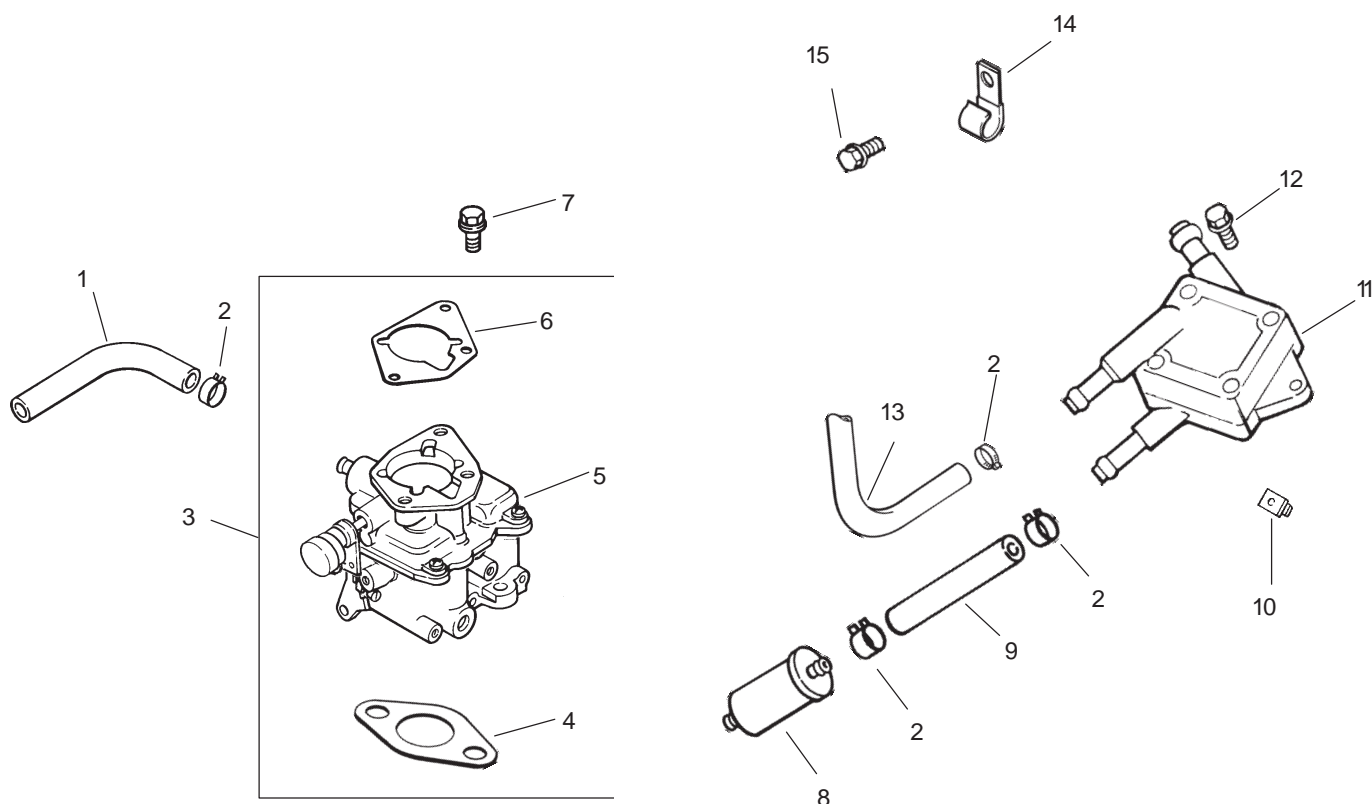


Group 7 – Starter Assembly Kohler CH740-0007

Ref. No.	Part No.	Qty.	Description
1	M-841080-S	1	Nut, hex flange M8x1.25
2	M-839080-S	2	Screw, hex. flange M8x1.25x80
3	25 098 09-S	1	Starter, solenoid shift assembly (Includes 4-8)
4	25 086 113-S	3	Screw, external Torx head
5	25 435 05-S	1	Kit, solenoid (Includes 4)
6	25 755 33-S	1	Kit, pinion drive (Includes 7)
7	25 141 05-S	1	Ring
8	25 225 01-S	1	Kit, brush

Ref. No.	Part No.	Qty.	Description

Obtain Parts from Kohler



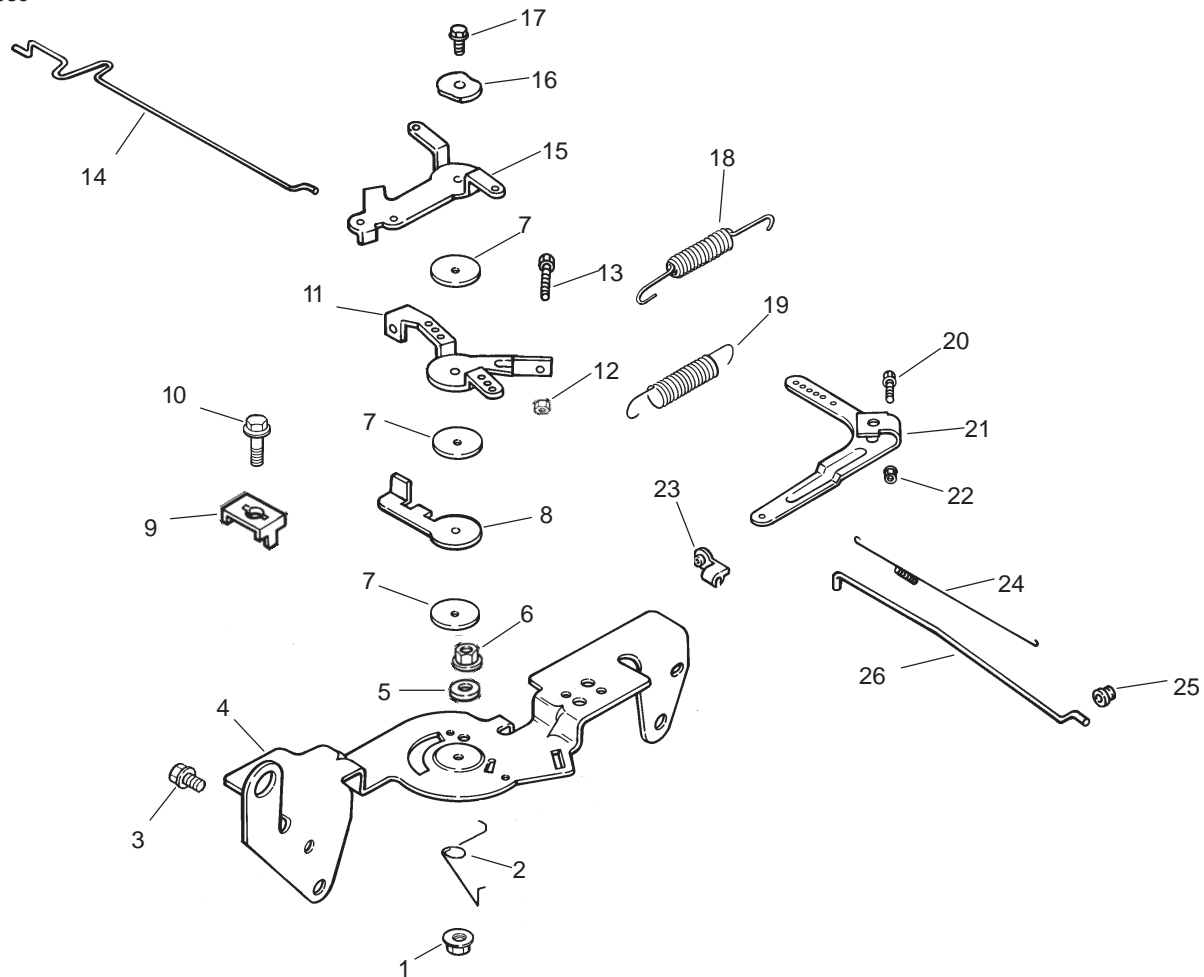
Group 8 – Fuel System Assembly Kohler CH740-0007

Ref. No.	Part No.	Qty.	Description
1	25 353 32-S	1	Line, fuel 9-1/4"
2	25 237 14-S	6	Clamp, hose
3	24 853 93-S	1	Kit, carburetor w/gasket (Includes 4-6)
4	24 041 17-S	1	Gasket, carburetor
5	24 053 93	1	Carburetor assembly (For information only, not available separately) (Service with kits 24 757 01-S, 24 757 02-S, 24 757 03-S, 24 757 07-S, 24 757 08-S, and 24 757 09-S)
6	24 041 06-S	1	Gasket, air cleaner base
7	M-651030-S	2	Screw, hex. flange
8	24 050 02-S	1	Filter, fuel
9	25 353 15-S	1	Line, fuel 3-1/2
10	24 100 01-S	2	Nut, plastic
11	24 393 16-S	1	Pump, fuel

Ref. No.	Part No.	Qty.	Description
12	24 086 12-S	2	Screw, hex. cap M6x1.7x18
13	24 353 02-S	1	Line, fuel 15"
14	47 154 01-S	1	Clip, cable
15	M-650012-S	1	Screw, hex. flange M6x1.0x12
*	24 757 01-S	1	Kit, solenoid
*	24 757 02-S	1	Kit, float repair
*	24 757 03-S	1	Kit, carburetor repair
*	24 757 07-S	1	Kit, choke repair
*	24 757 08-S	1	Kit, accelerator pump diaphragm repair
*	24 757 09-S	1	Kit, accelerator pump seal and bushing kit

Obtain Parts from Kohler

* Not Illustrated

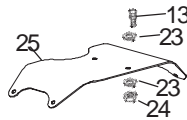
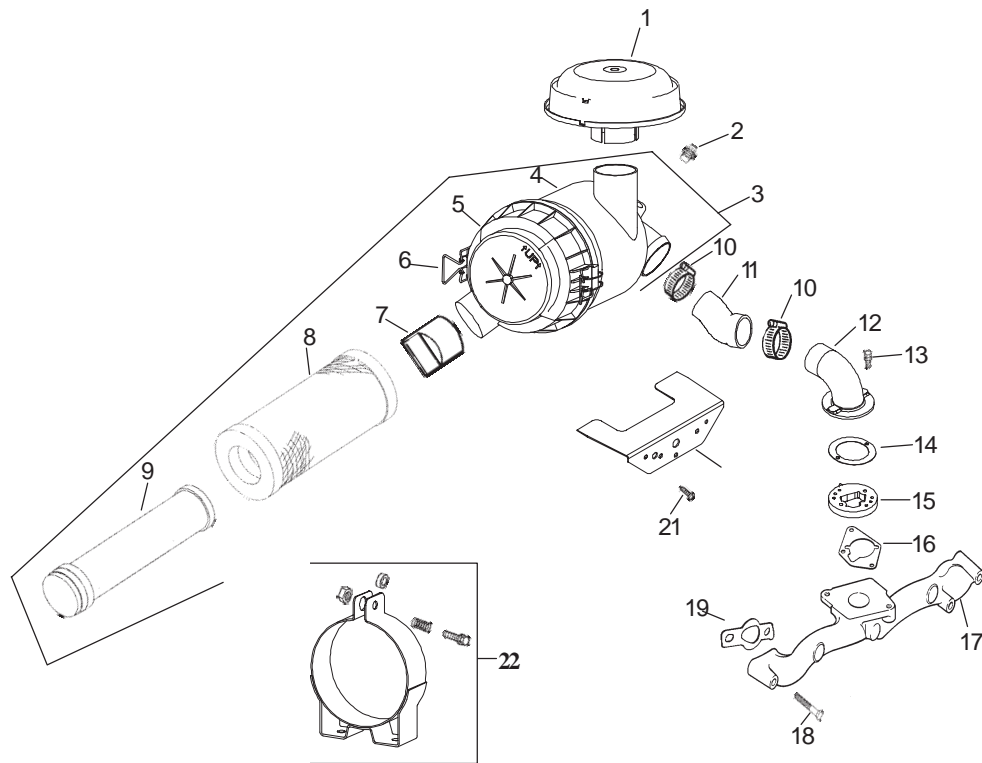


Group 9 – Engine Control Assembly Kohler CH740-0007

Ref. No.	Part No.	Qty.	Description
1	M-547050-S	1	Nut, hex. lock M5x0.8
2	24 089 03-S	1	Spring, choke return
3	M-645016-S	4	Screw, hex. flange M6x1.0x16
4	24 126 56-S	1	Bracket, control
5	X-20-1-S	1	Washer, lock 1/4
6	M-541050-S	1	Nut, hex. flange M5x0.8
7	24 468 01-S	3	Washer, plain 1/4
8	24 090 07-S	1	Lever, throttle actuator
9	12 237 01-S	2	Clamp, cable
10	M-545016-S	3	Screw hex. flange M5x0.8x16
11	24 090 03-S	1	Lever, throttle control
12	M-446030-S	1	Nut, hex. flange M4x0.7
13	M-401030-S	1	Screw, hex. flange M4x0.7x30
14	24 079 21-S	1	Linkage, choke
15	24 090 05-S	1	Lever, choke
16	41 468 03-S	1	Washer, spring 1/4
17	M-545020-S	1	Screw, hex. flange M5x0.8x20
18	24 089 51-S	1	Spring, throttle limiter

Ref. No.	Part No.	Qty.	Description
19	24 089 46-S	1	Spring, governor
20	24 211 03-S	1	Bolt, rd. hd. sq. neck M6x1.0x25
21	24 090 33-S	1	Lever, governor
22	M-641060-S	1	Nut, hex. flange M6x1.0
23	25 158 11-S	1	Bushing, linkage retaining
24	24 089 01-S	1	Spring, linkage
25	25 158 08-S	1	Bushing, throttle linkage
26	24 079 01-S	1	Linkage, throttle

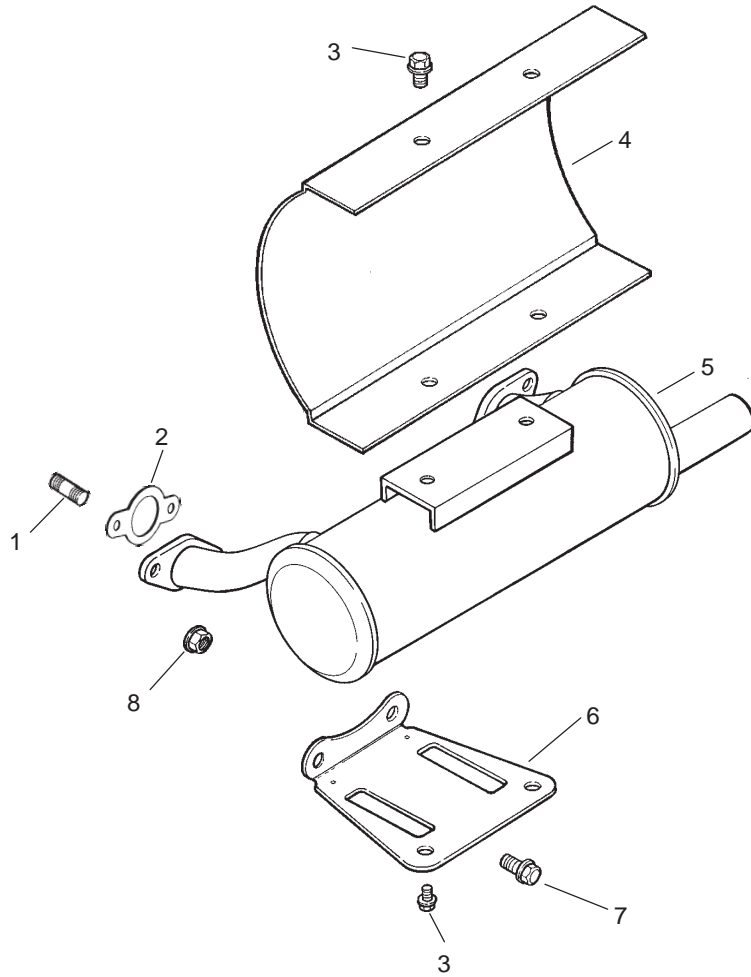
Obtain Parts from Kohler



Group 10 – Air Intake/Filtration Assembly Kohler CH740-0007

Ref. No.	Part No.	Qty.	Description	Ref. No.	Part No.	Qty.	Description
1	25 324 02-S	1	Hood, air cleaner	18	25 086 84-S	4	Screw, hex. flange M6x1.0x55
2	25 139 20-S	1	Plug, pipe	19	24 041 01-S	2	Gasket, intake manifold
3	25 048 07-S	1	Cleaner, heavy duty air (Includes 4-9)	20	24 314 25-S	1	Shield, debris
4	25 081 01-S	1	Housing, heavy duty air cleaner	21	24 086 06-S	2	Screw, phillips hd. 11-16x3/4"
5	25 096 06-S	1	Cover, heavy duty air cleaner	22	25 126 02-S	1	Bracket, air cleaner
6	25 154 05-S	2	Clip	23	X-25-73-S	4	Washer, plain 1/4"
7	24 462 07-S	1	Valve, dust ejector	24	M-647060-S	2	Nut, hex. lock M6x0.8
8	25 083 01-S	1	Element – primary	25	24 126 98-S	1	Bracket, air cleaner
9	25 083 04-S	1	Element safety filter				
10	25 237 07-S	2	Clamp, hose				
11	24 326 32-S	1	Hose, air cleaner				
12	24 029 21-S	1	Adapter, remote air cleaner				
13	M-639016-S	6	Screw, hex. flange M6x1.0x16				
14	24 041 34-S	1	Gasket, adapter				
15	24 029 26-S	1	Adapter				
16	24 041 06-S	1	Gasket, air cleaner base				
17	24 164 14-S	1	Manifold, intake				

Obtain Parts from Kohler



Group 11 – Exhaust Assembly Kohler CH740-0007

Ref. No.	Part No.	Qty.	Description
1	25 072 04-S	4	Stud M8x1.25x33
2	24 041 49-S	2	Gasket, exhaust
3	M-650012-S	4	Screw, hex. flange M6x1.0x12
4	24 314 04-S	1	Shield, heat
5	24 068 18-S	1	Muffler, canister oil filter outlet
6	24 126 12-S	1	Bracket, muffler
7	M-839020-S	2	Screw, hex. flange M8x1.25x20
8	M-841080-S	4	Nut, hex. flange M8x1.25
*	24 755 113-S		Gasket Set

Ref. No.	Part No.	Qty.	Description

Obtain Parts from Kohler

* Not Illustrated

