



# Mower Lift Assist Kit

## 100 Series Z Masters<sup>®</sup>

Part No. 106-9749

Form No. 3329-560

### Installation Instructions

**Note:** Determine the left and right sides of the machine from the normal operating position.

## Loose Parts

**Note:** Use the chart below to identify parts used for assembly.

Description	Qty.	Use
Lift assist lever	1	Installing the mower lift assist lever
Flat washer, 7/8 inch	1	
Nut, 5/16 inch	1	
Screw, 5/16 x 2 inch	1	
Lift shaft	1	

## Removing the Existing Lift Shaft

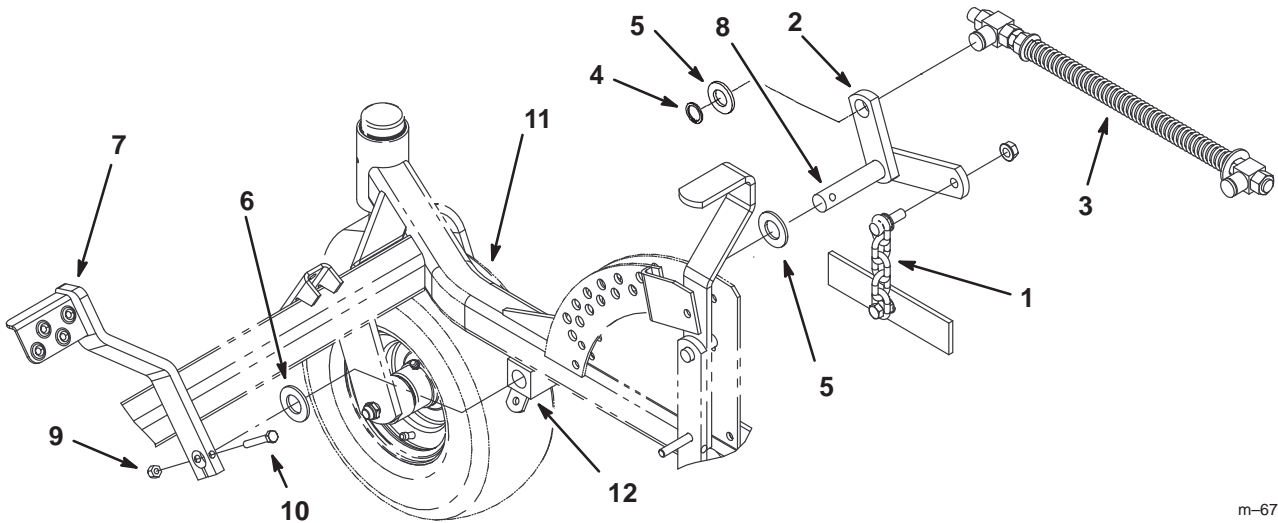
1. Remove the screw and nut securing the mower lift chain to the right front lift shaft. Retain the screw and nut (Fig. 1).
2. Remove the E-ring and washer securing the front of the lift spring assembly to the lift shaft (Fig. 1). Retain the E-ring and washer.
3. Remove the lift spring assembly from the lift shaft.
4. Remove the E-ring securing the lift shaft and washer to the frame bearing block. Remove the lift shaft (Fig. 1). Retain the E-ring and washer.

## Installing the Lift Assist Lever

1. Install the washer, removed in the previous step, onto the new lift shaft. Slide the lift shaft into the frame bearing block (Fig. 1).
2. Secure the lift spring assembly to the lift shaft with the washer and E-ring previously removed (Fig. 1).
3. Secure the mower lift chain to the lift shaft with the screw and nut previously removed (Fig. 1).
4. Insert the new washer and lift assist lever onto the lift shaft (Fig. 1).

5. Align the cross drilled holes in the lift assist lever with the holes in the shaft (Fig. 1).
6. Secure the lift assist lever to the lift shaft with a screw (5/16 x 2 inch) and nut (5/16 inch) (Fig. 1).

**Note:** Make sure all 4 of the mower lift chains have the same amount of tension. If not, loosen the nuts on each side of the swivel and shorten or lengthen the lift spring assemblies as required. If further adjustment is required, refer to the mower leveling section of the *Operator's Manual*.



m-6705

Figure 1

- |                         |                              |                       |                         |
|-------------------------|------------------------------|-----------------------|-------------------------|
| 1. Mower lift chain     | 4. Existing E-ring           | 7. Lift assist lever  | 10. Bolt, 5/16 x 2 inch |
| 2. Lift shaft           | 5. Existing washer           | 8. Hole in lift shaft | 11. Right front wheel   |
| 3. Lift spring assembly | 6. New flat washer, 7/8 inch | 9. Nut, 5/16 inch     | 12. Frame bearing block |

## Using the Lift Assist Lever

The lift assist lever is used along with the height-of-cut lever for raising the mower. This allows for easier raising of the mower.

1. Place your foot onto the lift assist lever.
2. Press on the lift assist lever while pulling up on the height-of-cut lever.