



44in and 52in Twin Soft Bagger

Z100 Z Master

Model No. 78507 – 230000001 and Up

Parts Catalog

Ordering Replacement Parts

To order replacement parts, please supply: the part number, the quantity, and the description of each part desired.

Understanding Reference Numbers

Each identified part in an illustration has a reference number. The reference number for a part also appears in the parts list, along with other information about the part.

This catalog uses two special reference number formats, one to indicate parts in a service assembly and another to indicate the quantity of a given part in an illustration.

Service Assembly Reference Numbers

Parts in service assemblies have reference numbers in the form **a:b**. The **a** represents the reference number of the entire service assembly and the **b** represents a sequential number unique to each part within the service assembly.

For example, a wheel assembly might be identified by reference number **6**, the tire by **6:1**, the valve by **6:2**, and the wheel by **6:3**. When you order the assembly identified by reference number **6**, you receive all parts identified by reference numbers **6:1**, **6:2**, and **6:3**. However, you may also order any part individually.

Reference numbers of this type appear in illustrations and in part lists.

Reference Numbers Indicating Quantity

In an illustration, if a reference number indicates more than one part, the reference number has the form **nX y**. The **n** represents the quantity of the part, the **X** is the multiplication symbol, and the **y** represents the reference number.

For example, in an illustration, the reference number **2X 37** means that two of the parts identified by reference number **37** are indicated.

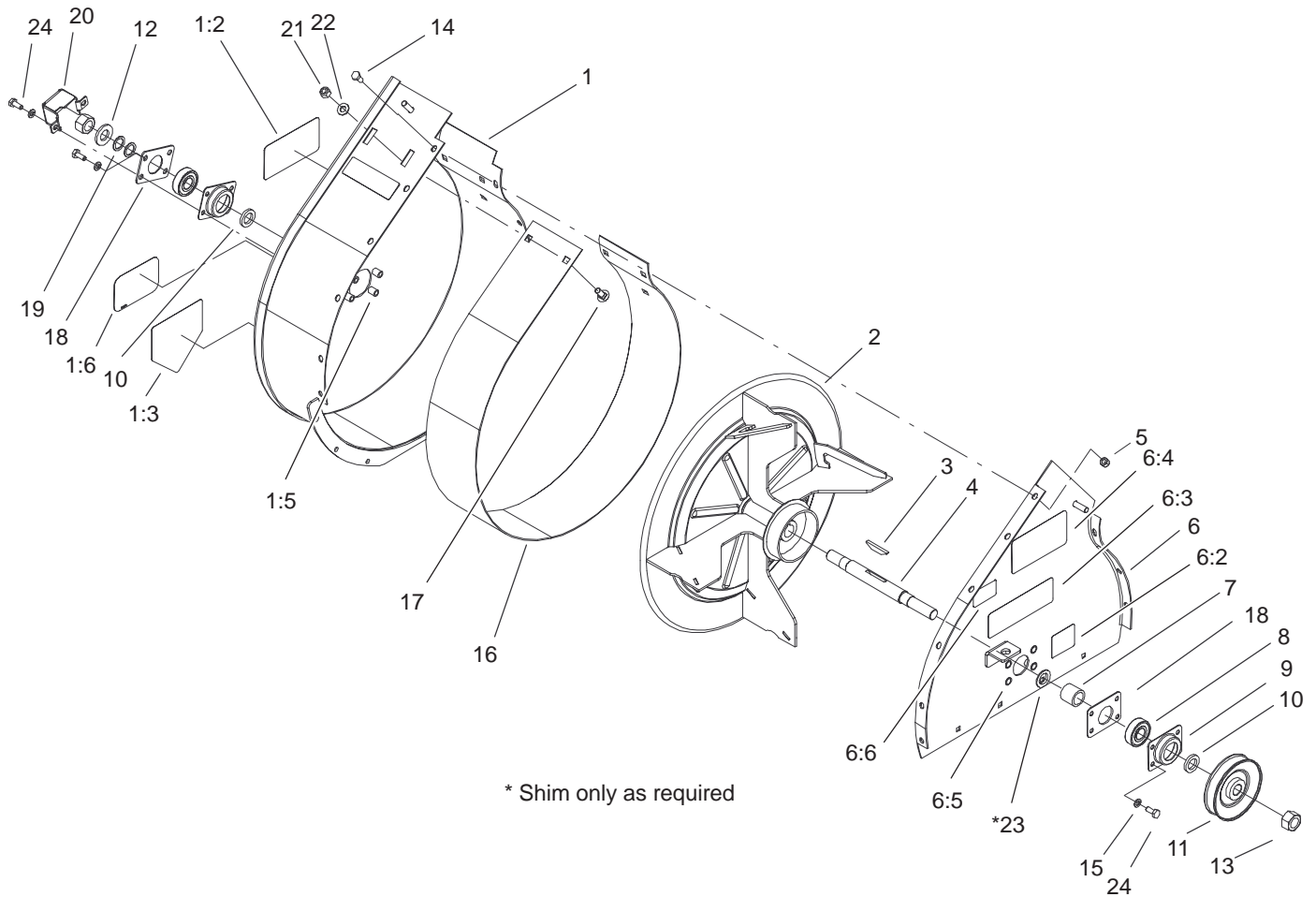
Contents

Description	Page	Description	Page
Blower Housing Assembly	3	Bag Support and Hood Assembly	6
Blower and Mounting Assembly	4	Bag Assembly	7
Bagger Mount Assembly	5		

Part Description Abbreviations

Part descriptions in this catalog may include the following abbreviations.

Abbreviation	Meaning	Abbreviation	Meaning
AR	as required	HYD	hydraulic
ASM	assembly	INC	incorporated
CARR	carriage	LH	left hand
DEG	degrees	NI	nylon insert
FH	flat head	PPH	Phillips pan head
GA	gauge	PTH	Phillips truss head
HF	hex flange	PTO	power take off
HH	hex head	RH	right hand
HHF	hex head flange	SFH	slotted fillister head
HLH	hex lag head	SHH	slotted hex head
HJ	hex jam	SQH	square head
HOC	height-of-cut	SHWH	slotted hex washer head
HS	hex socket	SPH	slotted pan head
HSBH	hex socket button head	SRH	slotted round head
HSFH	hex socket flat head	STD	standard
HSH	hex socket head	TAP	self tapping
HWH	hex washer head	TTH	Torx truss head
HWHTF	hex washer head thread forming	WH	wing head

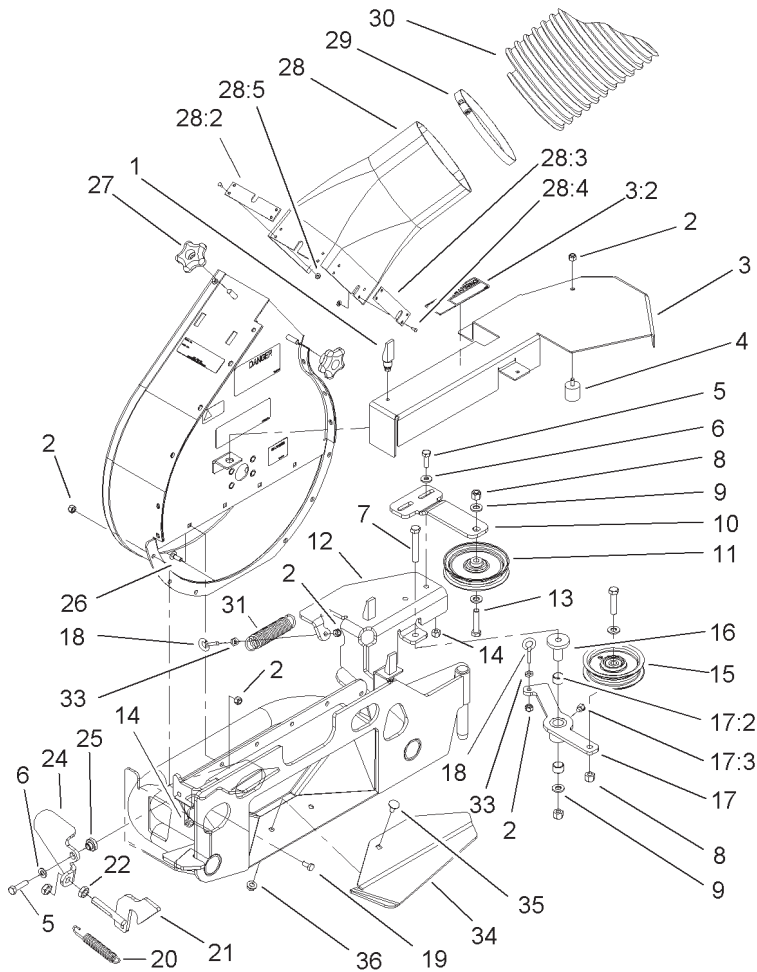


Sheet No.:2

Blower Housing Assembly

Ref. No.	Part No.	Qty.	Description
1	106-8016	1	Blower Housing ASM
1:2	79-0360	1	Decal-Danger
1:3	93-1122	1	Decal-Danger
1:5	32148-6	4	Insert-Nut
1:6	99-2385	1	Decal
2	106-8022-03	1	Impeller ASM
3	3257-40	1	Key-Hi Pro
4	105-5893	1	Shaft-Blower
5	3296-42	9	Nut-Lock, NI
6	106-8019	1	Cover Plate ASM
6:2	88-8950	1	Decal-Warning
6:3	79-0350	1	Decal-Danger
6:4	79-0360	1	Decal-Danger
6:5	32148-6	4	Insert-Nut
6:6	98-4387	1	Decal-Protection, Ear
7	106-2097	1	Spacer
8	38-7820	2	Bearing-Ball
9	37-6730	2	Cup-Bearing
10	63-9710	2	Spacer-Bearing
11	105-5992	1	Pulley ASM
12	9202604	1	Washer
13	3217-11	2	Nut-Hex
14	321-3	9	Screw-HH
15	3253-3	8	Washer-Lock
16	106-3425	1	Strip-Wear
17	3230-1	5	Bolt-CARR

Ref. No.	Part No.	Qty.	Description
18	63-9700-03	2	Plate-Cover
19	9202154	2	Washer
20	106-3076-03	1	Cover-Shaft
21	3296-29	5	Nut-Lock, NI
22	3256-23	5	Washer-Flat
23	1535	1	Washer-Thrust
24	321-4	8	Screw-HH

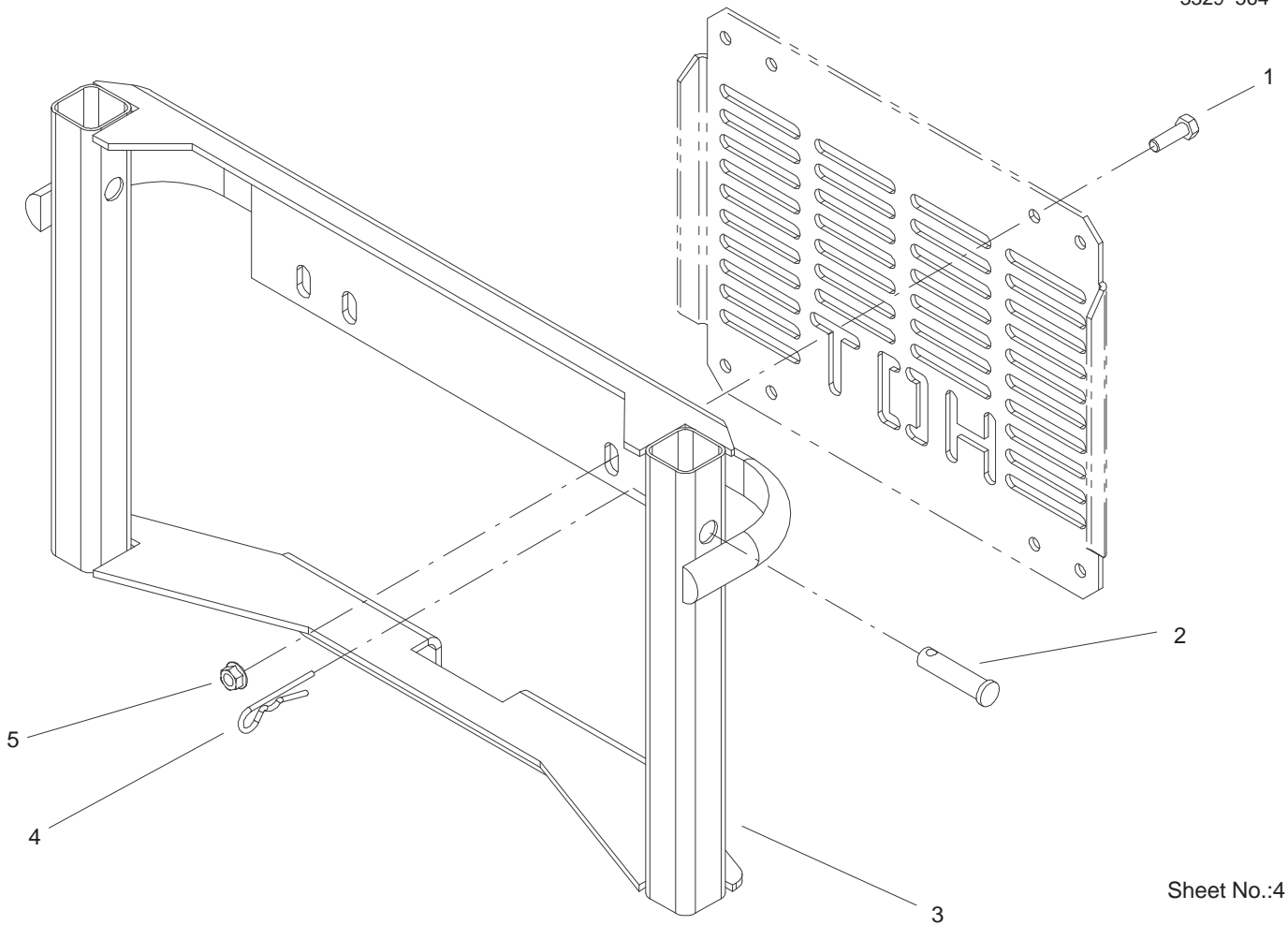


Sheet No.:3

Blower and Mounting Assembly

Ref. No.	Part No.	Qty.	Description
1	74-5950	3	Latch-Swell
2	3296-42	13	Nut-Lock, NI
3	105-5990	1	Belt Cover ASM
3:2	80-8040	1	Decal-Warning
4	106-5891	1	Bumper
5	322-6	3	Screw-HH
6	3256-23	3	Washer-Flat
7	323-12	1	Screw-HH
8	3296-39	3	Nut-Lock, NI
9	3256-24	4	Washer-Flat
10	105-5986-03	1	Bracket-Idler
11	92-7099	1	Pulley-Idler
12	106-8014-03	1	Transition ASM
13	323-9	2	Screw-HH
14	3296-29	3	Nut-Lock, NI
15	92-7084	1	Pulley-Idler, Flat
16	106-2057	1	Spacer
17	106-2056	1	Idler Arm ASM
17:2	1-653600	2	Bearing
17:3	302-11	1	Fitting-Lube, 45°
18	71-2870	2	Bolt-Eye
19	321-3	6	Screw-HH
20	37-8880	1	Spring-Traction
21	106-3400	1	Latch ASM
22	3218-4	2	Nut-Jam
24	106-3414-01	1	Pedal-Latch

Ref. No.	Part No.	Qty.	Description
25	105-5996	1	Spacer
26	3229-1	4	Screw-CARR
27	106-4161	2	Knob-Handle
28	106-2092	1	Blower Outlet Adapter ASM
28:2	105-9102	1	Plate-Adapter, Top
28:3	105-9103	1	Plate-Adapter, Side
28:4	106-8000	8	Rivet
28:5	3256-53	8	Washer-Flat
29	102528	1	Clamp
30	105-5875	1	Hose-Flexible
31	707451	1	Spring-Extension
33	3218-1	2	Nut-Jam
34	106-3420-03	1	Shelf-Blower
35	3230-18	2	Screw-CARR
36	32128-25	2	Nut-Flange

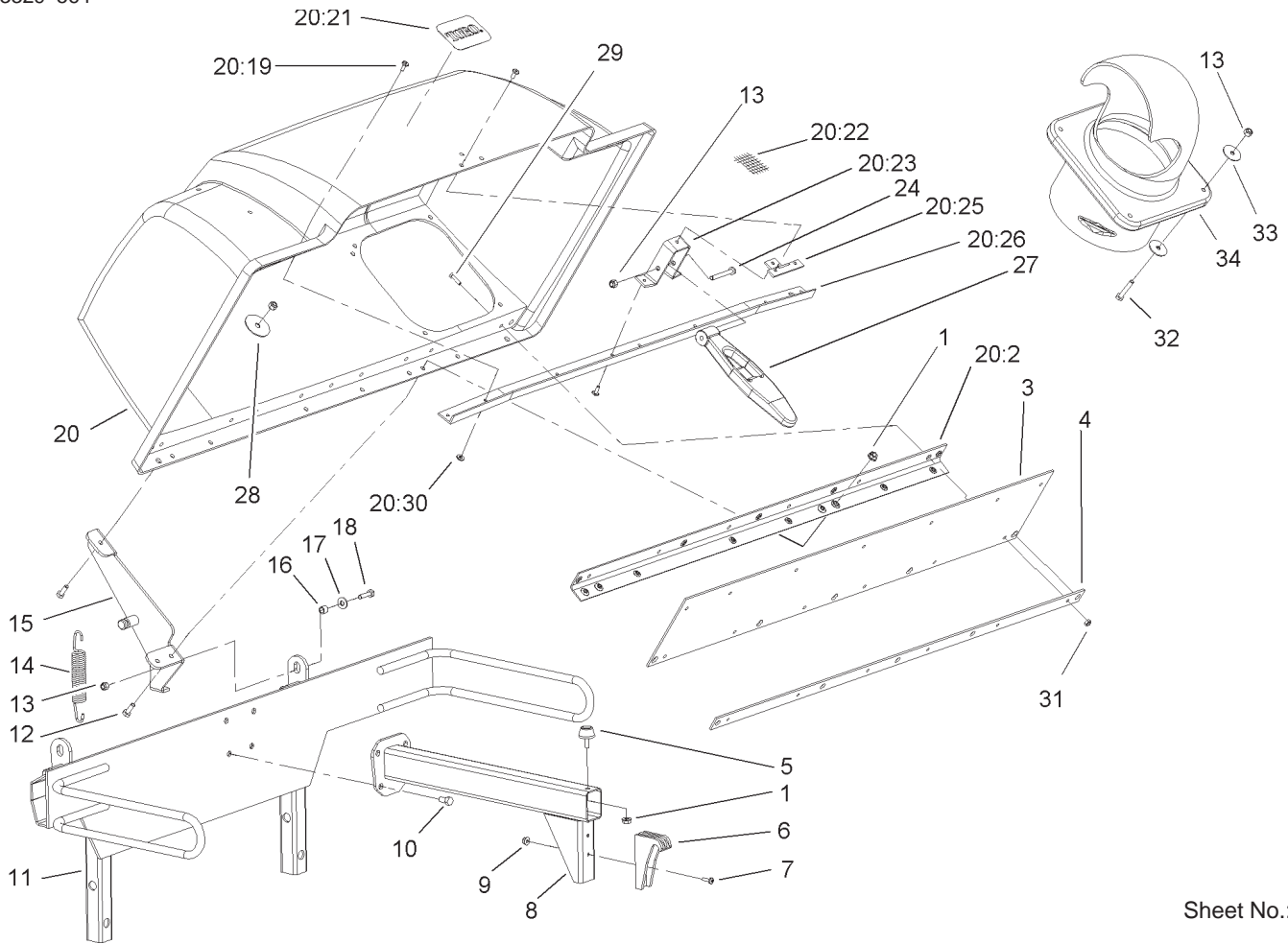


Sheet No.:4

Bagger Mount Assembly

Ref. No.	Part No.	Qty.	Description
1	322-5	8	Screw-HH
2	1-808289	2	Pin-Clevis
3	1-652308-03	1	Bagger Mount ASM
4	1-806005	2	Pin-Hair
5	32128-20	8	Nut-HF

Ref. No.	Part No.	Qty.	Description

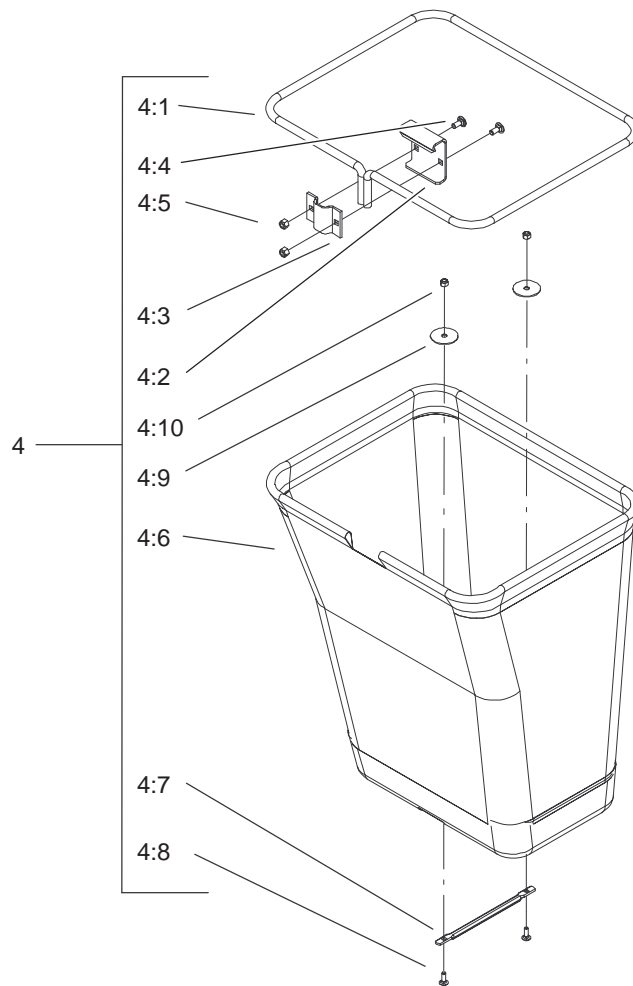


Sheet No.:5

Bag Support and Hood Assembly

Ref. No.	Part No.	Qty.	Description
1	32128-33	7	Nut-HF
3	1-653425	1	Seal
4	1-653528-03	1	Plate-Backing
5	1-523420	1	Bumper
6	1-653404	1	Catch
7	3290-500	2	Screw-PPH
8	1-652414-03	1	Bag Support ASM
9	1-809112	2	Nut
10	322-2	4	Screw-HH
11	1-652305-03	1	Bagger Upright ASM
12	321-4	6	Screw-HH
13	3296-42	7	Nut-Lock, NI
14	1-653544	2	Spring-Extension
15	1-652395-03	2	Hinge ASM
16	1-633545	2	Spacer-Grommet
17	3256-2	2	Washer-Flat
18	321-6	2	Screw-HH
19	114439	7	Rivet-Pop
20	105-6188	1	Hood ASM
20:2	1-653397-03	1	Stiffener-Bagger, Top
20:19	114439	31	Rivet-Pop
20:20	105-9100	1	Top-Bagger
20:21	99-2385	1	Decal
20:22	114967	1	Screen-Bagger
20:23	1-653519	1	Anchor-Latch
20:25	1-653535	1	Reinforcement-Latch

Ref. No.	Part No.	Qty.	Description
20:26	1-653400-03	1	Support-Screen
20:30	3256-14	14	Washer-Flat
24	321-11	1	Screw-HH
27	1-653403	1	Latch
28	1-653036	2	Washer
29	1-803075	6	Screw-Truss Head
31	3296-2	6	Nut-Lock
32	321-9	4	Screw-HH
33	3256-58	8	Washer-Flat
34	105-5873	1	Tube-Bagger, Upper



Sheet No.:6

Bag Assembly

Ref. No.	Part No.	Qty.	Description	Ref. No.	Part No.	Qty.	Description
4	1-654390	2	Bag ASM				
4:1	1-653529-03	1	Frame-Bag				
4:2	114973-03	1	Hanger-Bag				
4:3	114974-03	1	Clamp				
4:4	3230-1	2	Bolt-CARR				
4:5	3296-29	2	Nut-Lock, NI				
4:6	1-654389	1	Bag-Cloth				
4:7	1-653566	1	Bag-Handle				
4:8	3229-1	2	Screw-CARR				
4:9	1-653036	2	Washer				
4:10	3296-42	2	Nut-Lock, NI				

