



Rear Attach-A-Matic® Kit

XT Series Garden Tractors

Part No. 106-5694

Form No. 3329-608

Installation Instructions

Note: Determine the left and right sides of the machine from the normal operating position.

Loose Parts

Note: Use the chart below to identify parts used for assembly.

DESCRIPTION	QTY.	USE
Attach-A-Matic® hitch assembly	1	Install the Attach-A-Matic hitch to the tractor
Capscrew, 1/2 x 1-1/4 inch	3	
Lock nut, 1/2 inch	3	

Installing the Rear Attach-A-Matic® Hitch

The Attach-A-Matic hitch mounts to the rear of the tractor.

1. Remove the fasteners securing the panel, above the hitch, to the rear of tractor (Fig. 1). Retain the fasteners.

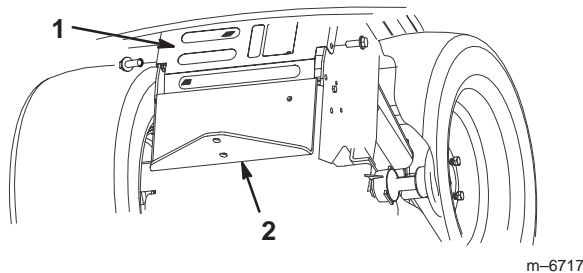


Figure 1

1. Rear panel
2. Hitch

2. Position the Attach-A-Matic hitch under the rear of the tractor while aligning the mounting holes with the holes in the sides of the frame and in the tractor hitch (Fig. 2).
3. Secure the Attach-A-Matic hitch to the frame and to the hitch with 3 capscrews (1/2 x 1-1/4 inch) and lock nuts (1/2 inch) (Fig. 2).
4. Install the panel to the rear of the tractor with the fasteners previously removed (Fig. 3).
5. When mounting an attachment to the rear Attach-A-Matic, press in on the latch rod and open the latches (Fig. 3). Place the attachment bar hitch into the Attach-A-Matic, then close the latches (Fig. 3).

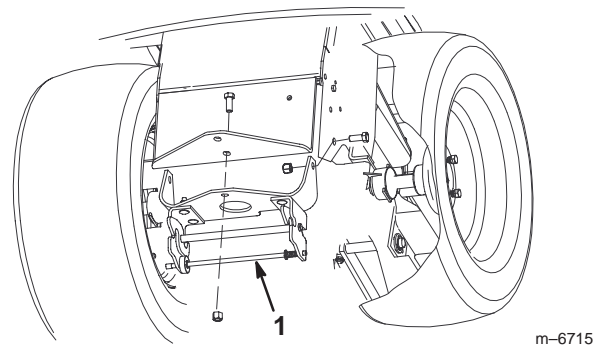


Figure 2

1. Attach-A-Matic

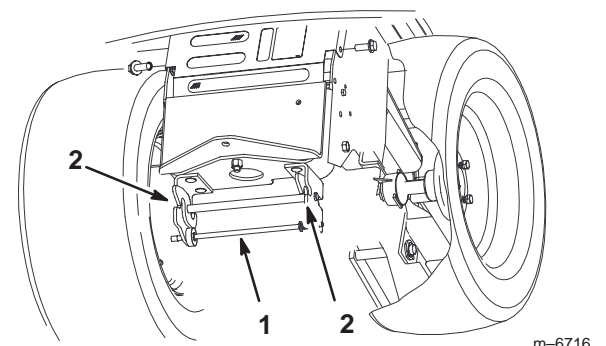


Figure 3

2. Latch rod
3. Latch