



**Count on it.**

**Parts Catalog**

**TimeCutter® MyRIDE® 42in  
Riding Mower**

Model No. 75747—Serial No. 414376482 and Up



# Ordering Replacement Parts

To order replacement parts, please supply the part number, the quantity, and the description of each part desired.

## Understanding Reference Numbers

Each identified part in an illustration has a reference number. The reference number for a part also appears in the parts list, along with other information about the part.

This catalog uses two special reference number formats, one to indicate parts in a service assembly and another to indicate the quantity of a given part in an illustration.

## Service Assembly Reference Numbers

Parts in service assemblies have reference numbers in the form a:b. The a represents the reference number of the entire service assembly and the b represents a sequential number unique to each part within the service assembly.

For example, a wheel assembly might be identified by reference number 6, the tire by 6:1, the valve by 6:2, and the wheel by 6:3. When you order the assembly identified by reference number 6, you receive all parts identified by reference numbers 6:1, 6:2, and 6:3. However, you may also order any part individually. Reference numbers of this type appear in illustration and in parts lists.

## Reference Numbers Indicating Quantity

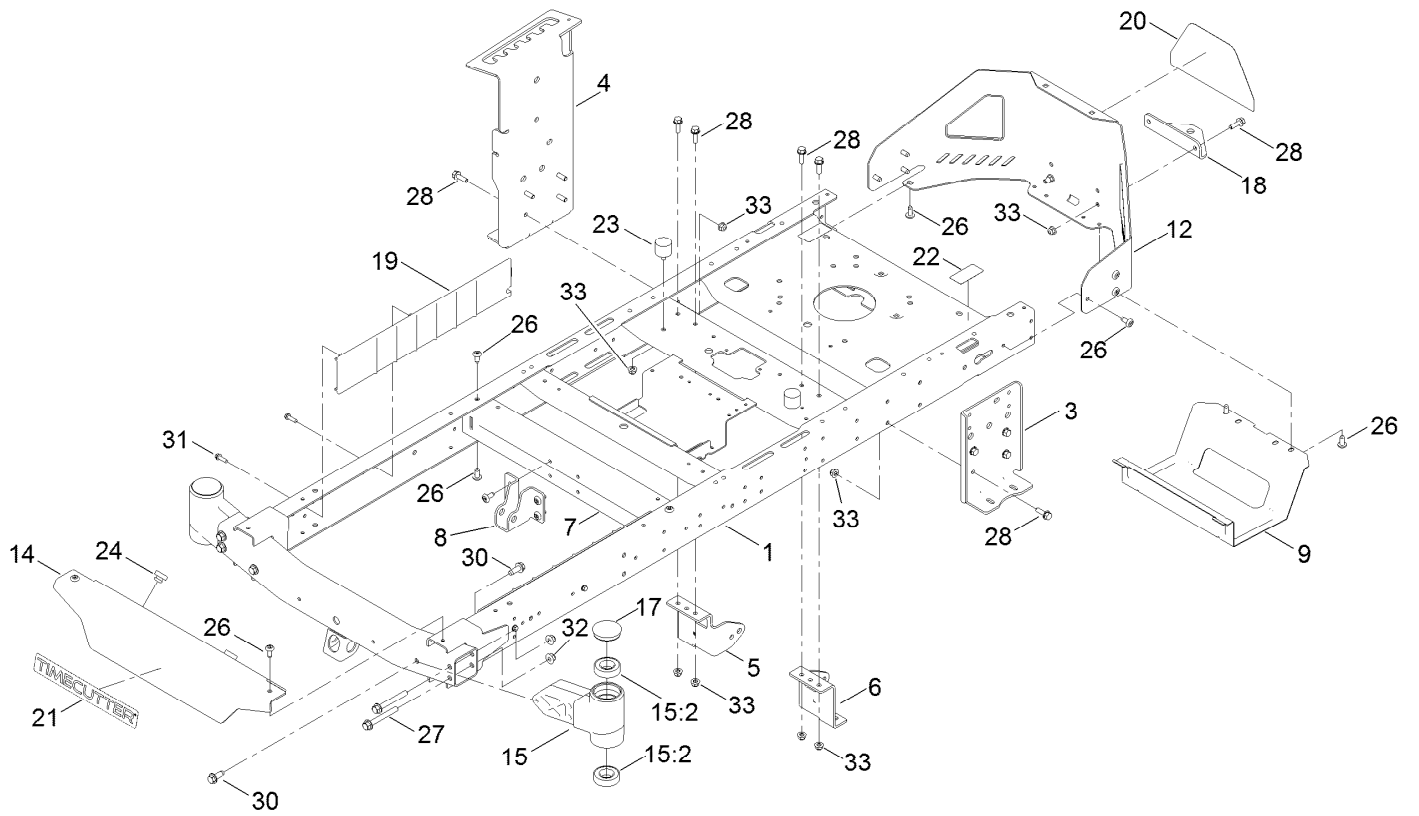
In an illustration, if a reference number indicates more than one part, the reference number has the form nX y. The n represents the quantity of the part, the X is the multiplication symbol, and the y represents the reference number.

For example, in an illustration, the reference number 2X 37 means that two of the parts identified by reference number 37 are indicated.

# Contents

Frame Assembly . . . . .	4
Deck Lift Assembly . . . . .	6
Tire and Caster Assembly . . . . .	8
Traction Drive Assembly . . . . .	10
LH Hydro Transmission Assembly No. 139-7450 . . . . .	12
RH Hydro Transmission Assembly No. 139-7451 . . . . .	14
Brake Assembly . . . . .	16
Rear Tire Assembly . . . . .	18
Motion Control Assembly . . . . .	20
Engine and Muffler Assembly . . . . .	22
Fuel Pod Assembly . . . . .	24
Electrical Assembly . . . . .	26
42in Deck and Decal Assembly . . . . .	28
Frame Decal Assembly . . . . .	30
Seat Assembly . . . . .	32
Seat Assembly No. 140-8303 . . . . .	34
Clutch Assembly . . . . .	36
Attachments and Accessories . . . . .	38

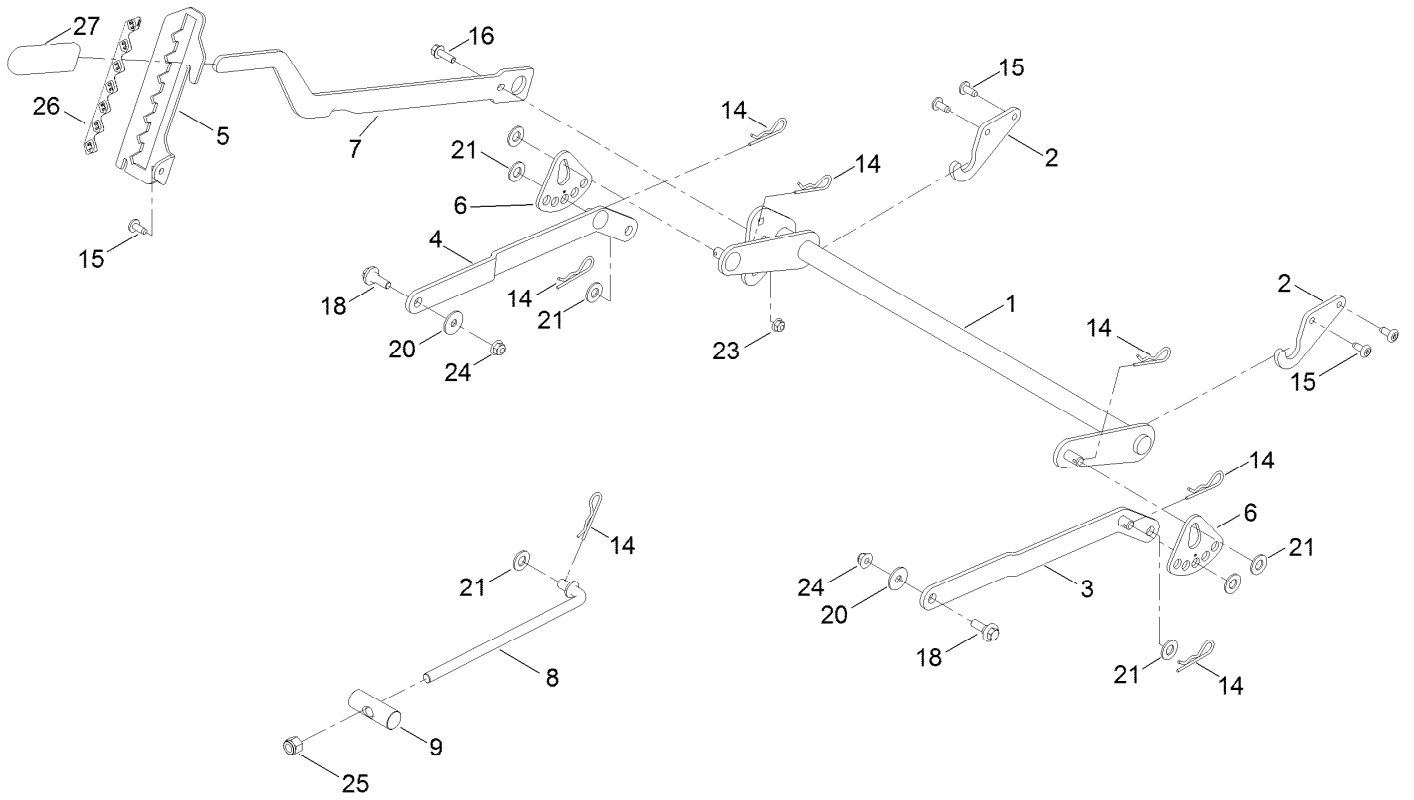
# Frame Assembly



## Frame Assembly (continued)

<i>Ref.</i>	<i>Part Number</i>	<i>Qty.</i>	<i>Description</i>	<i>Ref.</i>	<i>Part Number</i>	<i>Qty.</i>	<i>Description</i>
1	137-9820-01	1	Frame Assembly	18	117-1232-03	1	Bracket-Hitch
3	138-7520-01	1	Plate-Mount, Hydro	19	138-7516	2	Guard-Rail
4	139-2352-01	1	Plate-Mount Hydro, RH	20	139-5890	1	Decal-Timecutter
5	137-7020-01	1	Mount-Hydro, Front (Right)	21	139-2387	1	Decal-Timecutter
6	139-3211-01	1	Mount-Hydro, Front (Left)	22	121-2989	2	Decal-Bypass
7	138-2527-01	1	Brace-Cross, Lower	23	137-4803	2	Bumper-Rubber
8	139-3260-01	1	Bracket-Mount Damper, Lower	24	140-3460	2	Bumper-Rubber
9	138-0867-03	1	Guard-Muffler	26	138-9753	20	Screw
12	138-9820-03	1	Guard-Engine	27	139-2429	4	Screw-HHF
14	138-7596-01	1	Footrest	28	3234-29	14	Screw-HHF
15	140-2098	2	Axle Stub ASM	30	139-2428	4	Screw-HWH
15:2	109-3678	2	Bearing-Ball	31	46-8091	4	Screw-HWH
17	138-7200	2	Cap-Grease	32	139-2430	4	Nut-HF, NI
				33	104-8300	16	Nut-HF, NI

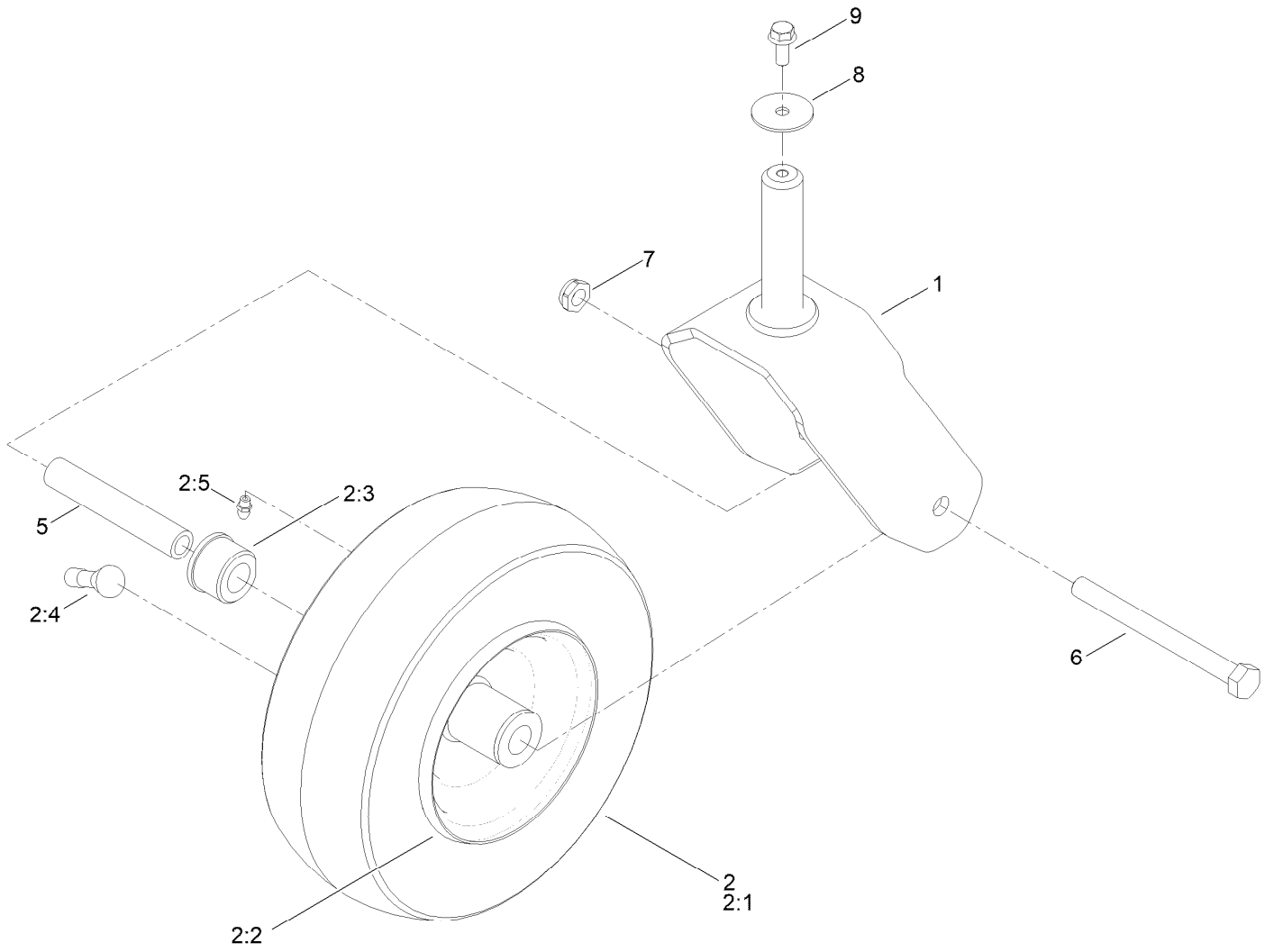
# Deck Lift Assembly



## Deck Lift Assembly (continued)

<i>Ref.</i>	<i>Part Number</i>	<i>Qty.</i>	<i>Description</i>	<i>Ref.</i>	<i>Part Number</i>	<i>Qty.</i>	<i>Description</i>
1	137-7093-03	1	Deck Lift ASM	15	138-9753	5	Screw
2	138-6021	2	Bracket-Pivot, Decklift	16	3234-29	1	Screw-HHF
3	137-9844	1	LH Arm ASM	18	137-9847	2	Screw-Shoulder
4	137-9846	1	RH Arm ASM	20	93-8806	2	Washer-Hardened
5	139-2350-01	1	Bracket-HOC	21	3256-26	7	Washer-Flat
6	138-2564	2	Plate-Adjustment, HOC	23	104-8300	1	Nut-HF, NI
7	137-7087-03	1	Lever-Lift	24	104-8301	2	Nut-HF, NI
8	138-6050	1	Rod-Mount, Deck	25	3296-19	1	Nut-Hex
9	119-8810	1	Pin-Pivot	26	139-2392	1	Decal-HOC
14	1-806005	7	Pin-Cotter	27	1-633268	1	Grip-Lever

# Tire and Caster Assembly

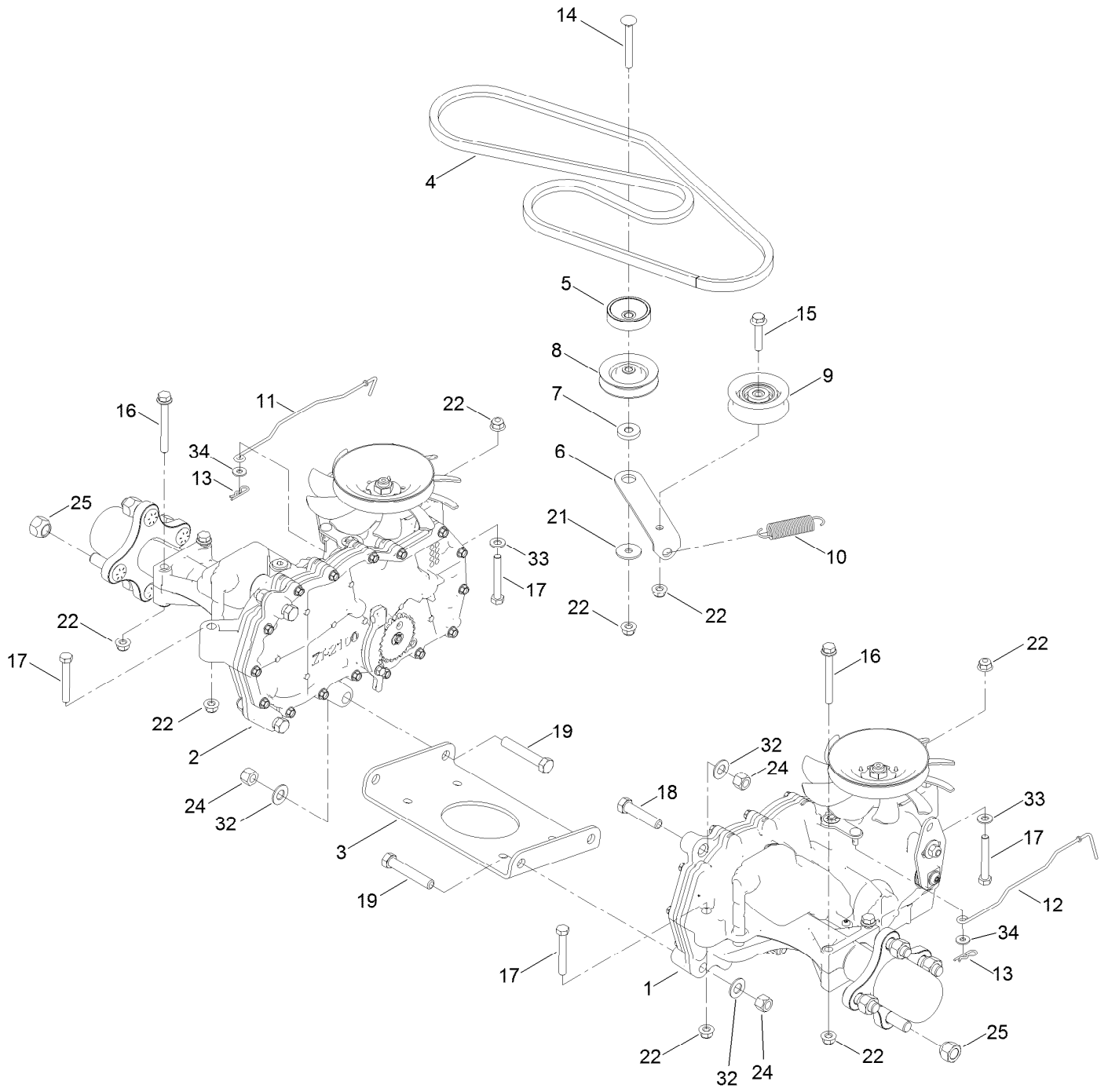




## Tire and Caster Assembly (continued)

<i>Ref.</i>	<i>Part Number</i>	<i>Qty.</i>	<i>Description</i>	<i>Ref.</i>	<i>Part Number</i>	<i>Qty.</i>	<i>Description</i>
1	139-3274-01	2	Fork ASM	2:5	302-5	1	Fitting-Grease
2	147-2935	2	Tire ASM	5	138-7240	2	Bushing-Spanner
2:1	147-2936	1	Tire	6	325-22	2	Screw-HH
2:2	147-2937	1	Rim	7	3296-45	2	Nut-Hex
2:3	114-1640	2	Bushing-Flange	8	3256-68	2	Washer-Flat
2:4	232-27	1	Stem-Valve	9	3234-47	2	Screw-HHF

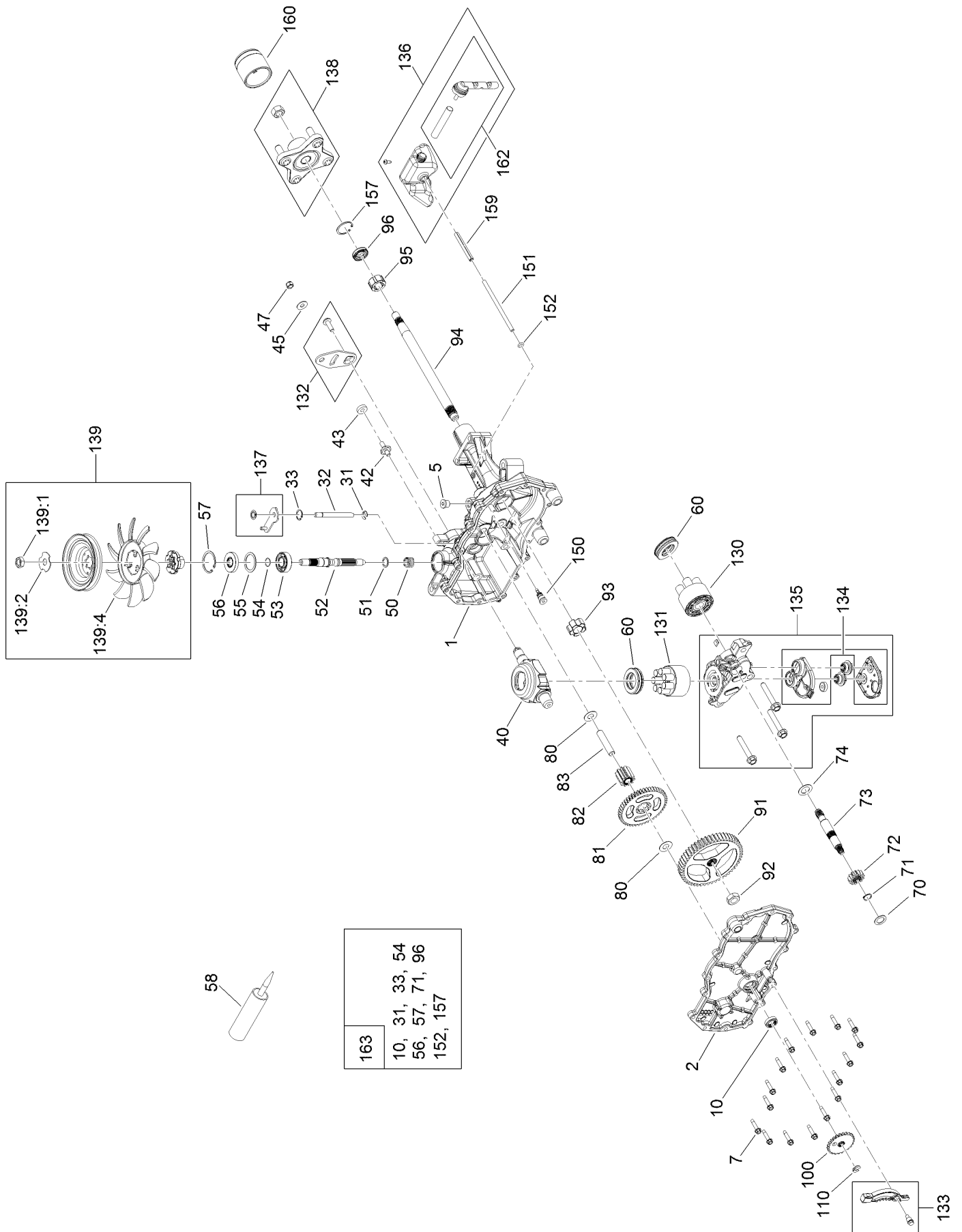
# Traction Drive Assembly



## Traction Drive Assembly (continued)

<i>Ref.</i>	<i>Part Number</i>	<i>Qty.</i>	<i>Description</i>	<i>Ref.</i>	<i>Part Number</i>	<i>Qty.</i>	<i>Description</i>
1	139-7450	1	LH Hydro Transaxle ASM	14	3230-8	1	Screw-CARR
2	139-7451	1	RH Hydro Transaxle ASM	15	115-1794	1	Screw-HHF
3	138-2571-03	1	Crossplate-Hydro	16	138-7590	4	Screw-HHF
4	139-2399	1	V-Belt	17	322-11	4	Screw-HH
5	138-9809	1	Spacer	18	324-8	2	Screw-HH
6	138-7276	1	Arm-Idler	19	324-10	4	Screw-HH
7	138-7277	1	Spacer-Arm, Idler	21	5-4460	1	Washer-Pivot
8	68-0030	1	Idler	22	104-8300	10	Nut-HF, NI
9	138-7597	1	Pulley-Idler, Flat	24	3296-48	6	Nut-Hex
10	137-7040	1	Spring-Return, Pedal	25	242-50	8	Nut-Lug
11	138-7245	1	Rod-Bypass, RH	32	3256-25	6	Washer-Flat
12	138-7243	1	Rod-Bypass, LH	33	3256-23	2	Washer-Plain
13	3290-307	2	Pin-Cotter	34	119-8952	2	Washer-Spcl

# LH Hydro Transmission Assembly No. 139-7450

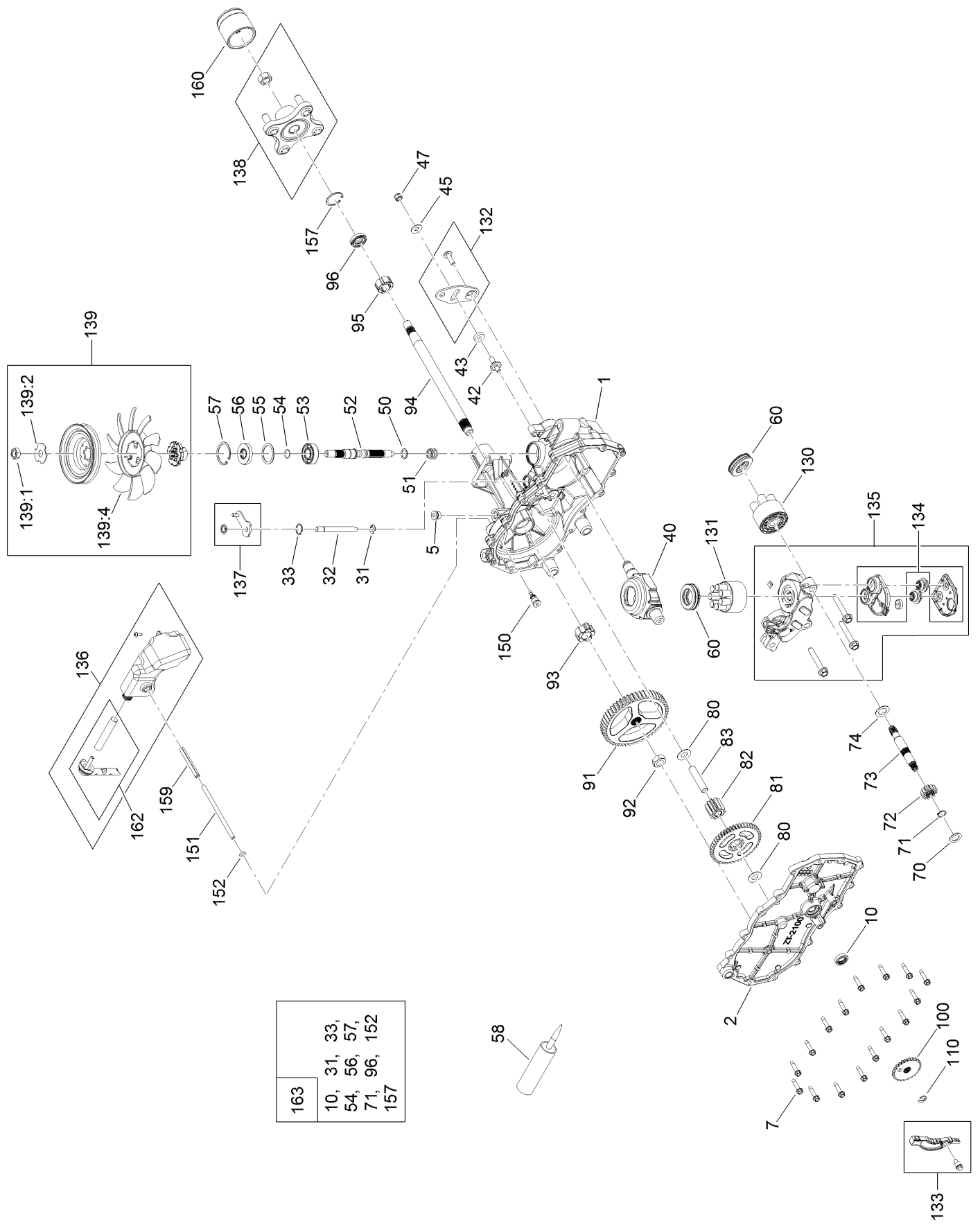


# LH Hydro Transmission Assembly No. 139-7450 (continued)

<i>Ref.</i>	<i>Part Number</i>	<i>Qty.</i>	<i>Description</i>	<i>Ref.</i>	<i>Part Number</i>	<i>Qty.</i>	<i>Description</i>
1	120-5532	1	Main Housing ASM	80	119-5541	1	*obs* Washer
2	120-5534	1	Housing Side Kit	81	104-5317	1	Gear-10T/48T
5	104-2189	1	Plug-Thread, Straight	82	104-5318	1	Gear-Jackshaft, 10T
7	117-5359	16	Screw-HHF	83	104-5329	1	Pin-Jackshaft
10	104-2147	1	Sealant, Silicone - Non-Flammable ●	91	120-5539	1	Gear-Bull
31	106-8677	1	Ring-Retaining, External	92	104-2142	1	Nut-HJ
32	106-8678	1	Rod-Bypass	93	115-8314	1	Bushing-Inboard
33	106-8679	1	Ring-Retaining, Internal	94	120-5540	1	Shaft-Axle
40	104-5304	1	Swashplate-Trunnion	95	120-5541	1	Bearing-Sleeve
42	104-2116	1	Stud	100	106-8694	1	Disc-Brake, Cog
43	112-9853	1	Puck-Friction	110	106-8677	1	Ring-Retaining, External
50	133-1793	1	Spring-Block	130	103-2666	1	Cylinder Block Kit
51	120-5538	1	Washer	131	110-8561	1	Pump Block ASM
52	104-5306	1	Shaft-Input	132	117-5362	1	Control Arm Kit
53	104-5311	1	Bearing-Ball	133	106-8688	1	Brake Arm Kit
54	104-5307	1	Ring-Retaining	134	112-9861	1	Center Section Filter Kit
55	104-5308	1	Spacer	135	114-1634	1	Filter Kit
56	104-5310	1	Seal-Lip	136	121-5730	1	RH Expansion Tank Kit
57	104-5309	1	Ring-Retaining	137	120-5549	1	Bypass Kit
58	104-2147	1	Sealant, Silicone - Non-Flammable	138	121-5731	1	Hub Kit
60	94-6922	2	Bearing-Thrust	139	135-7349	1	Fan And Pulley Kit
70	104-5339	1	Washer-Flat	150	104-5349	1	Fitting-SAE
71	104-5340	1	Ring-Retaining	151	115-8302	1	Hose
72	104-5316	1	Gear-Pinnion, 13T	152	104-5361	1	O-Ring
73	106-8683	1	Shaft-Motor	159	121-5728	1	Case-Tube
74	104-5360	1	Washer	160	125-0041	1	Cap-Axle
				162	139-3278	1	Breather ASM Kit
				163	120-7103	1	Seal And Ring Kit

● Not illustrated

# RH Hydro Transmission Assembly No. 139-7451



163	10, 31, 33, 54, 56, 57, 71, 96, 152 157
-----	--

# RH Hydro Transmission Assembly No. 139-7451 (continued)

<i>Ref.</i>	<i>Part Number</i>	<i>Qty.</i>	<i>Description</i>	<i>Ref.</i>	<i>Part Number</i>	<i>Qty.</i>	<i>Description</i>
1	120-5531	1	Main Housing ASM	80	119-5541	1	*obs* Washer
2	120-5533	1	Housing Side Kit	81	104-5317	1	Gear-10T/48T
5	104-2189	1	Plug-Thread, Straight	82	104-5318	1	Gear-Jackshaft, 10T
7	117-5359	16	Screw-HHF	83	104-5329	1	Pin-Jackshaft
10	104-2147	1	Sealant, Silicone - Non-Flammable ●	91	120-5539	1	Gear-Bull
31	106-8677	2	Ring-Retaining, External	92	104-2142	1	Nut-HJ
32	106-8678	1	Rod-Bypass	93	115-8314	1	Bushing-Inboard
33	106-8679	1	Ring-Retaining, Internal	94	120-5540	1	Shaft-Axle
40	104-5304	1	Swashplate-Trunnion	95	120-5541	1	Bearing-Sleeve
42	104-2116	1	Stud	100	106-8694	1	Disc-Brake, Cog
43	112-9853	1	Puck-Friction	110	106-8677	1	Ring-Retaining, External
51	133-1793	1	Spring-Block	130	103-2666	1	Cylinder Block Kit
51	120-5538	1	Washer	131	110-8561	1	Pump Block ASM
52	104-5306	1	Shaft-Input	132	117-5362	1	Control Arm Kit
53	104-5311	1	Bearing-Ball	133	106-8688	1	Brake Arm Kit
54	104-5307	1	Ring-Retaining	134	112-9862	1	Center Section Filter Kit
55	104-5308	1	Spacer	135	114-1634	1	Filter Kit
56	104-5310	1	Seal-Lip	136	121-5735	1	LH Expansion Tank Kit
57	104-5309	1	Ring-Retaining	137	107-2489	1	Bypass Arm Kit
58	104-2147	1	Sealant, Silicone - Non-Flammable	138	121-5731	1	Hub Kit
60	94-6922	2	Bearing-Thrust	139	135-7349	1	Fan And Pulley Kit
70	104-5339	1	Washer-Flat	150	104-5349	1	Fitting-SAE
71	104-5340	1	Ring-Retaining	151	115-8302	1	Hose
72	104-5316	1	Gear-Pinnion, 13T	152	104-5361	1	O-Ring
73	106-8683	1	Shaft-Motor	159	121-5728	1	Case-Tube
74	104-5360	1	Washer	160	125-0041	1	Cap-Axle
				162	139-3278	1	Breather ASM Kit
				163	120-7103	1	Seal And Ring Kit

● Not illustrated

# Brake Assembly

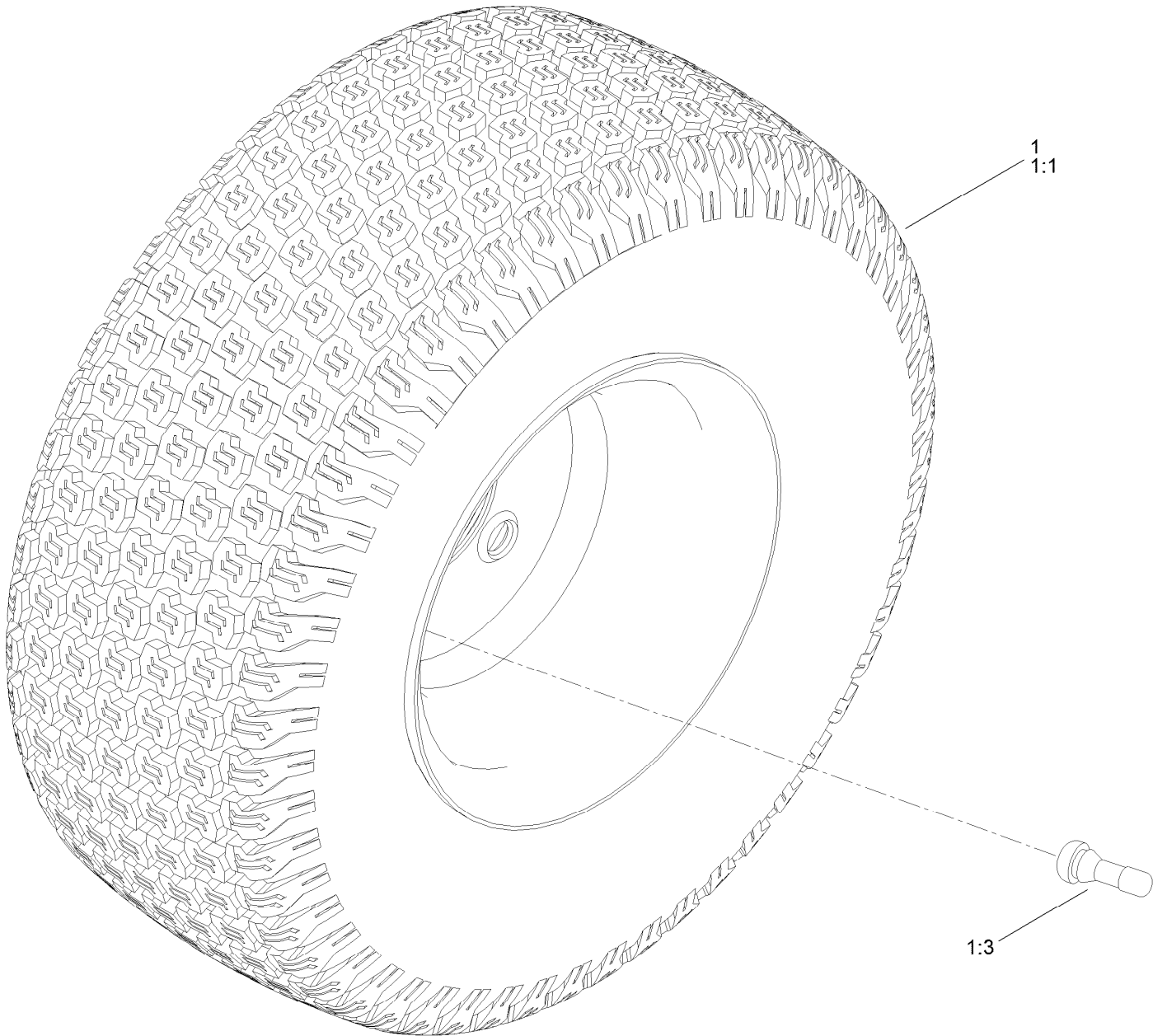




## Brake Assembly (continued)

<i>Ref.</i>	<i>Part Number</i>	<i>Qty.</i>	<i>Description</i>	<i>Ref.</i>	<i>Part Number</i>	<i>Qty.</i>	<i>Description</i>
1	138-2514	1	Brake Box ASM	7	3290-307	2	Pin-Cotter
2	133-9284-03	1	Bracket-Mount, Brake	8	32144-36	4	Screw-PPH
3	138-2591	1	Rod-Brake, LH	9	32144-4	2	Screw-HWH
4	138-2592	1	Rod-Brake, RH	10	119-8952	6	Washer-Spcl
5	117-1169	4	Spring-Compression	11	3296-42	2	Nut-Lock, NI

# Rear Tire Assembly



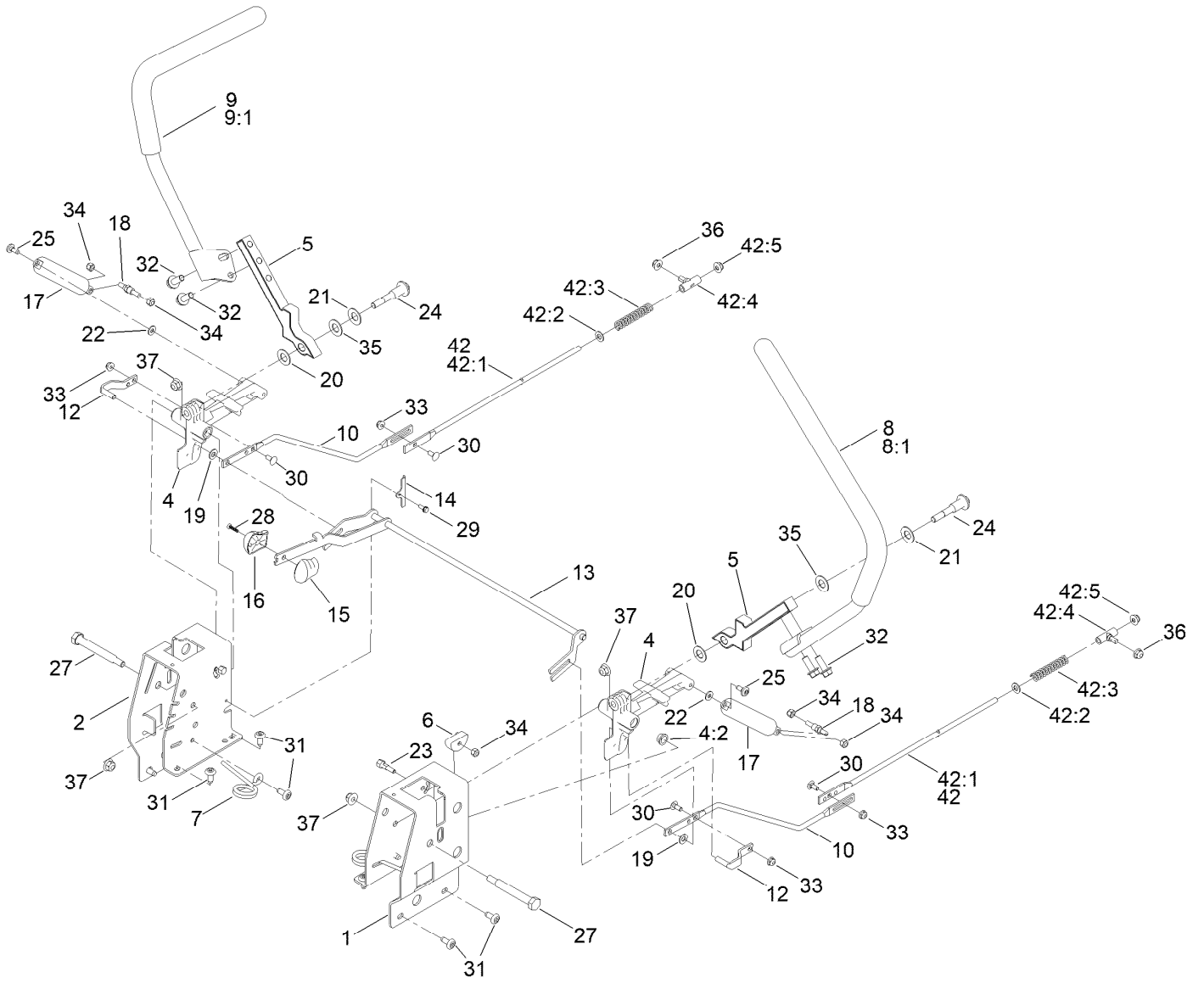
# Rear Tire Assembly (continued)

<i>Ref.</i>	<i>Part Number</i>	<i>Qty.</i>	<i>Description</i>
1	139-5846	2	Tire ASM
1:1	140-2729	1	Tire

<i>Ref.</i>	<i>Part Number</i>	<i>Qty.</i>	<i>Description</i>
1:3	232-27	1	Stem-Valve
1:99	107-2491	1	Tube-Tire ●

● Not illustrated

# Motion Control Assembly

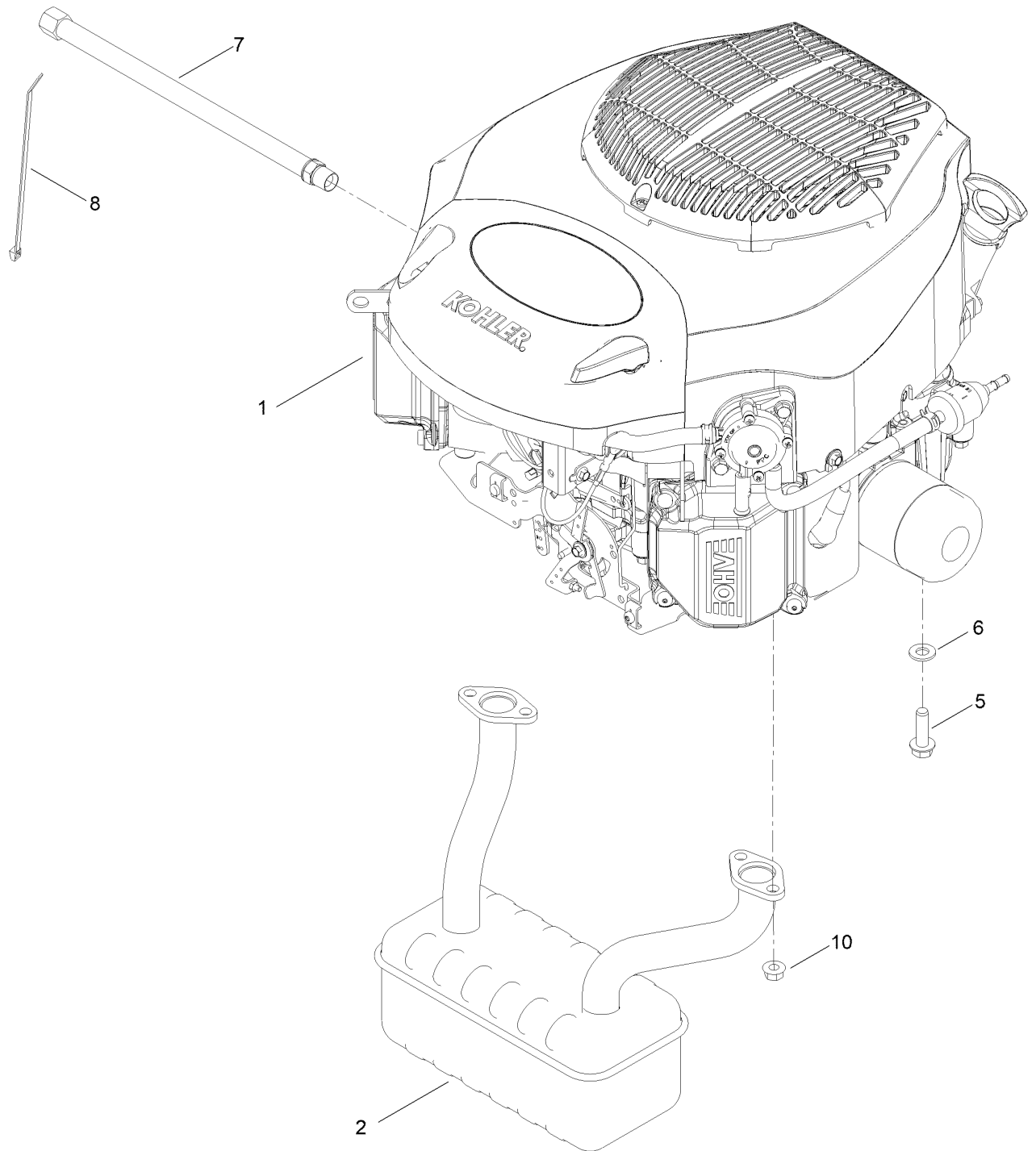


## Motion Control Assembly (continued)

<i>Ref.</i>	<i>Part Number</i>	<i>Qty.</i>	<i>Description</i>	<i>Ref.</i>	<i>Part Number</i>	<i>Qty.</i>	<i>Description</i>
1	138-7598-03	1	Plate-Control Box, LH	22	119-8952	2	Washer-Spcl
2	138-7599-03	1	Plate-Control Box, RH	23	139-5811	2	Bolt-Pivot, Eccentric
4	119-3470	2	Actuator Arm ASM	24	117-1198	2	Bolt-Pivot
4:2	256-156	2	Bushing-Flange	25	120-7950	2	Screw-Torx
5	133-9299-05	2	Arm-Control	27	115-5099	2	Bolt-Pivot
6	139-5803	2	Eccentric	28	94-4496	1	Screw-PPH
7	138-7539	2	Spring-Torsion	29	32144-1	2	Screw-Taptite
8	133-7055	1	Handle-Control, LH	30	3229-11	4	Screw-CARR
8:1	121-0726	1	Grip	31	138-9753	10	Screw
9	133-7057	1	Handle-Control, RH	32	3234-42	4	Screw-HHF
9:1	121-0726	1	Grip	33	104-7201	4	Nut-HF, NI
10	138-2580	2	Rod-Hydro, Front	34	3296-42	6	Nut-Lock, NI
12	121-1753	2	Pin-Rod, Hydro	35	117-1240	2	Washer
13	138-9750	1	Speed Control ASM	36	119-4041	2	Nut-HF
14	138-7541	2	Plate-Retainer	37	104-8301	4	Nut-HF, NI
15	132-9368	1	Knob-RH	42		2	Rod Hydro ASM ●
16	132-9369	1	Knob-LH	42:1	144-1818	1	Rod-Hydro, Rear
17	132-6853	2	Damper-Non Cavitating	42:2	120-9683	1	Washer-Plain
18	138-7215	2	Stud-Damper	42:3	138-7252	1	Spring-Compression
19	93-6079	2	Spacer-Nylon	42:4	138-7218	1	Mount-Rod, Hydro
20	120-2273	2	Washer-Nylon	42:5	119-4041	1	Nut-HF
21	119-8925	2	Washer-Belleville				

● Not serviced separately

# Engine and Muffler Assembly



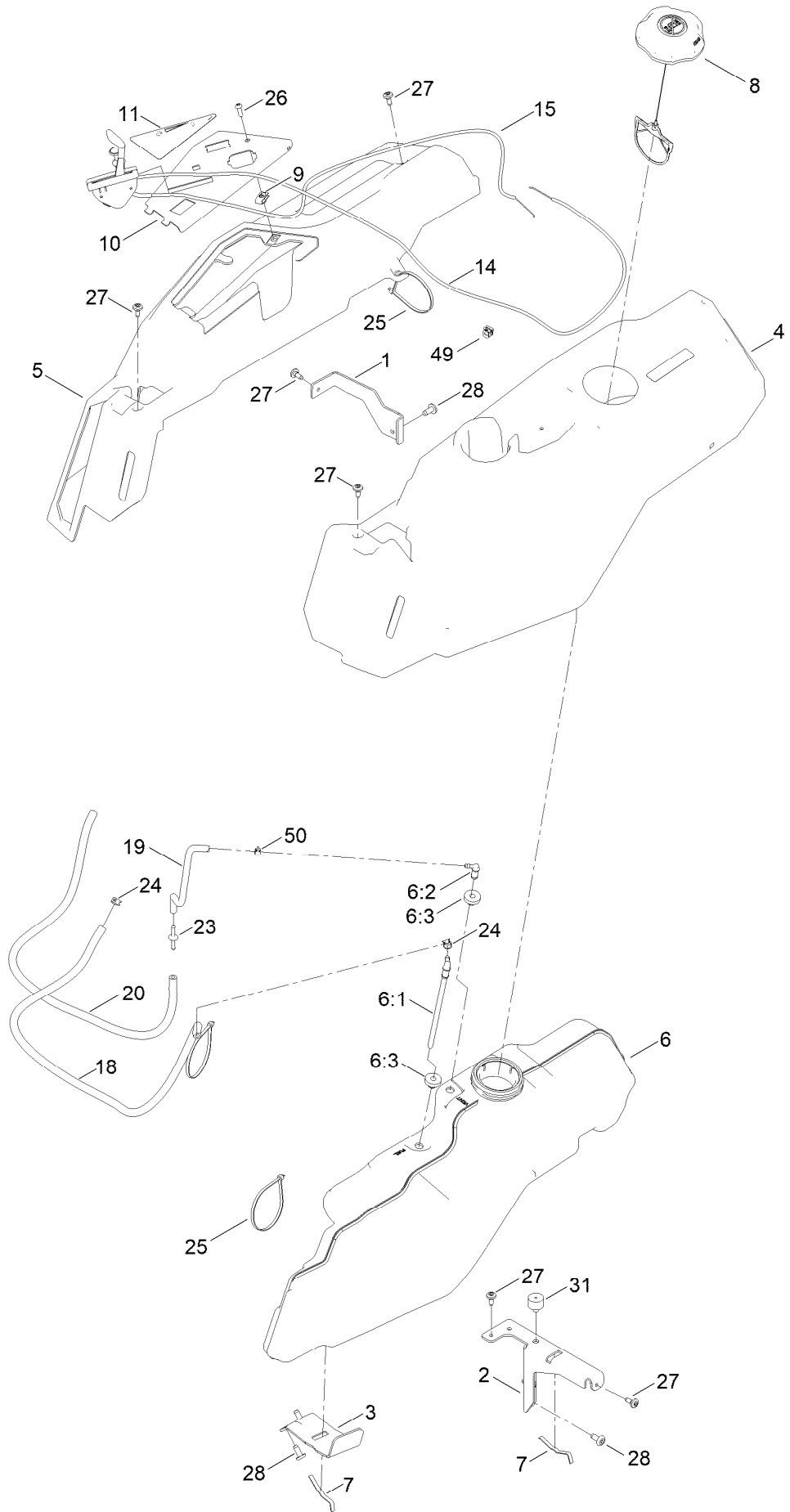
## Engine and Muffler Assembly (continued)

<i>Ref.</i>	<i>Part Number</i>	<i>Qty.</i>	<i>Description</i>	<i>Ref.</i>	<i>Part Number</i>	<i>Qty.</i>	<i>Description</i>
1		1	Engine-Kohler, Kt725 ■▲	6	3256-24	3	Washer-Plain
1:1	110-6697	2	Gasket-Exhaust ●	7	117-1261	1	Hose-Drain, Oil
1:3	281-2	1	Plug-Pipe, SQH ●	8	614249	1	Tie-Cable
2	139-5868	1	Muffler	10	33004-00	4	Nut-HF
5	32144-109	4	Screw-Thd				

● Not illustrated  
▲ Obtain parts from [www.kohlerplus.com](http://www.kohlerplus.com)

■ Not serviced separately

# Fuel Pod Assembly

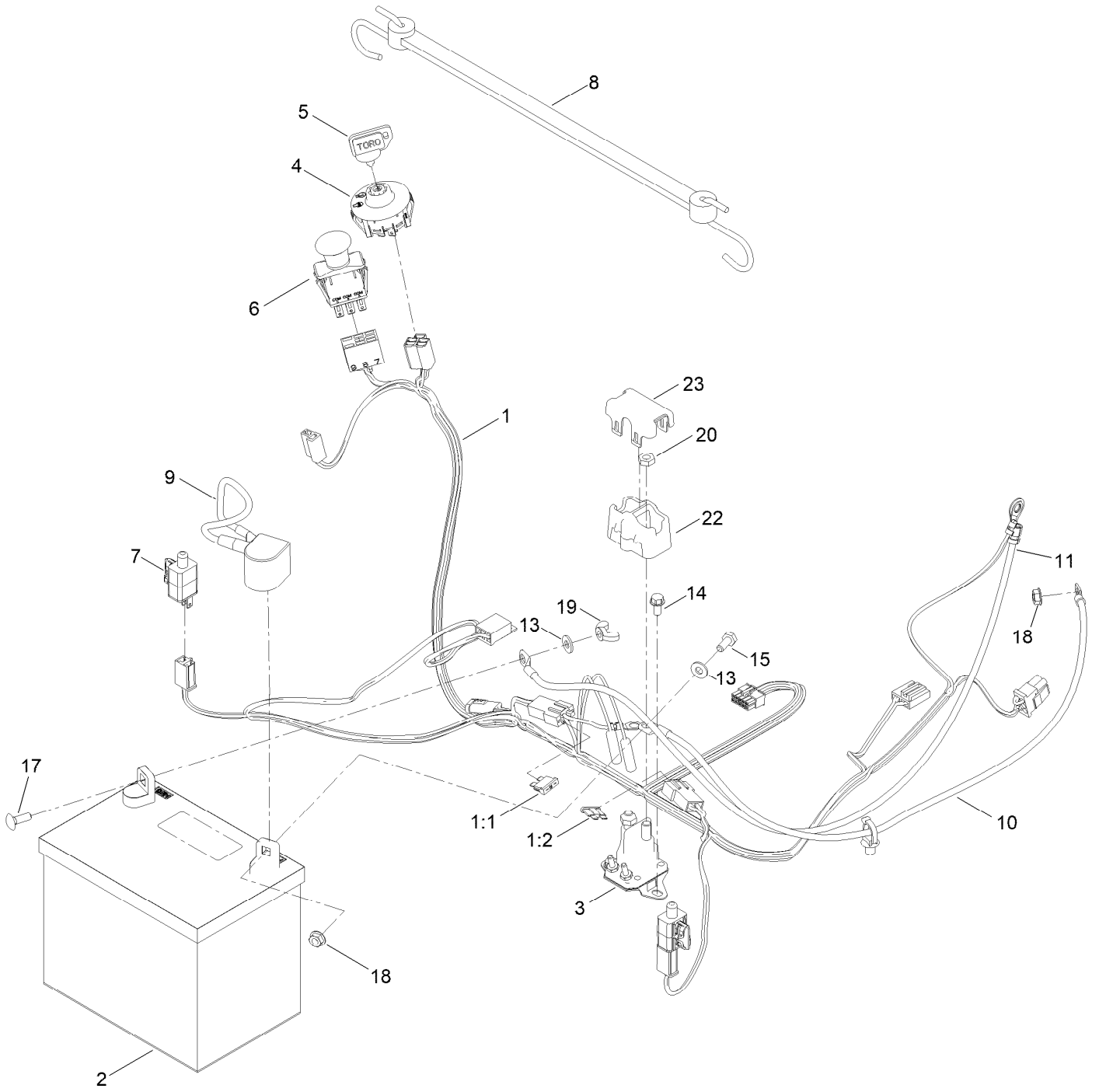




## Fuel Pod Assembly (continued)

<i>Ref.</i>	<i>Part Number</i>	<i>Qty.</i>	<i>Description</i>	<i>Ref.</i>	<i>Part Number</i>	<i>Qty.</i>	<i>Description</i>
1	138-9810-03	1	Bracket-Pod	15	139-2402	1	Cable-Choke
2	138-6071-03	1	Support-Pod, LH	18	109-0307	1	Hose-Fuel
3	139-3271-03	1	Support-Tank, Fuel	19	136-6345	1	Hose-Fuel
4	138-6074	1	Pod-LH	20	136-7526	1	Hose-Fuel
5	139-2404	1	Pod-RH, Myride	23	144-1983	1	Adapter Orifice
6	144-5304	1	Tank-Fuel ASM	24	2412-98	2	Clamp-Hose
6:1	139-1091	1	Connector-Elbow, 90 DEG	25	3290-379	2	Tie-Cable
6:2	144-5302	1	Fitting-Elbow 90	25	614249	1	Tie-Cable
6:3	46-6560	2	Bushing	26	3258-166	1	Screw-PRH
7	609830	2	Spring	27	120-7950	6	Screw-Torx
8	137-4119	1	Cap-Fuel, Ratcheting	28	138-9753	5	Screw
9	107069	1	Clip	31	120-7893	1	Bumper-Grommet
10	139-2380-03	1	Panel - Control	49	32180-418	1	Clip-Harness
11	139-2391	1	Decal-Panel, Control	50	2412-80	1	Clamp-Hose
14	139-3267	1	Cable-Throttle				

# Electrical Assembly

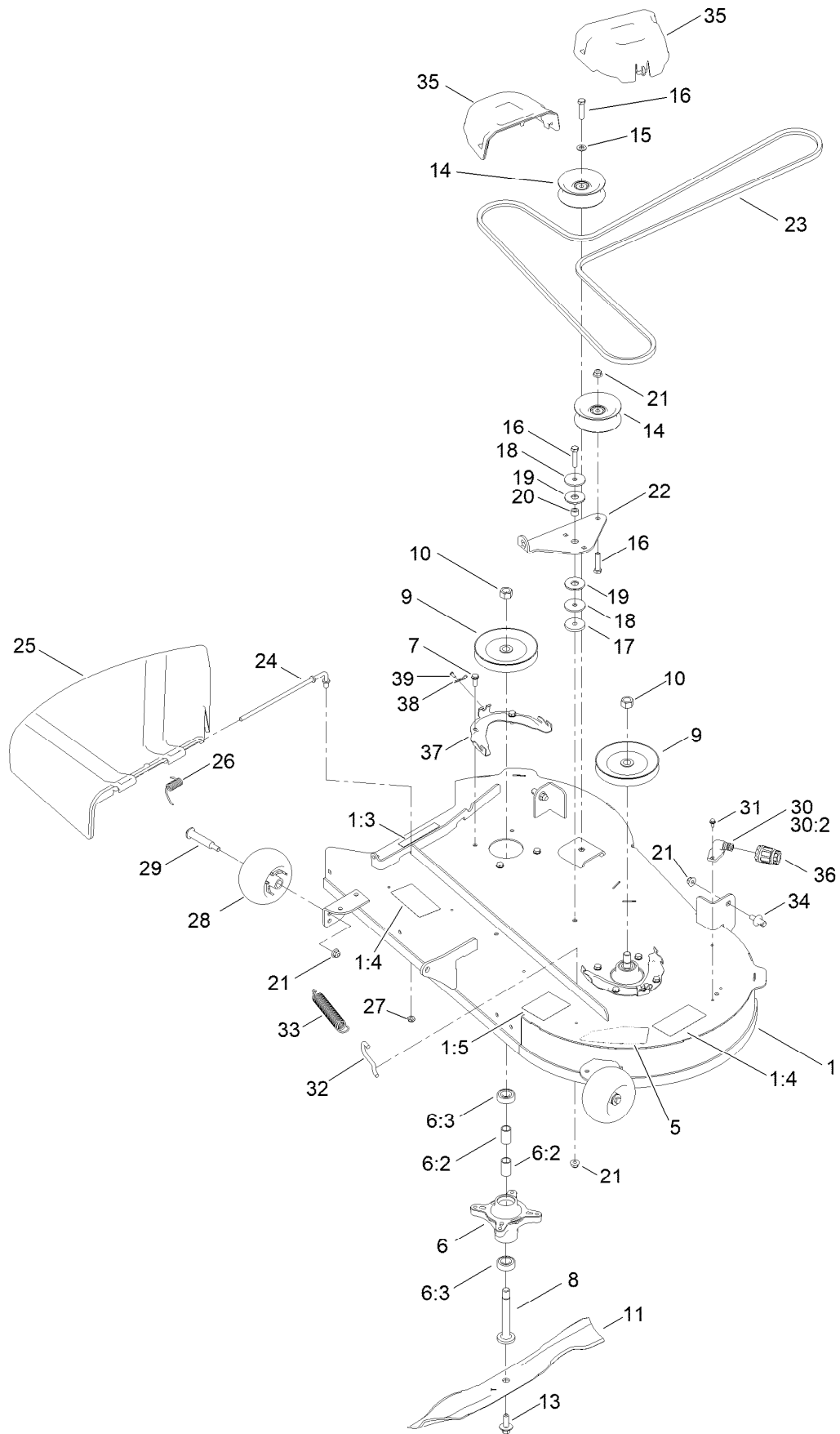


## Electrical Assembly (continued)

<i>Ref.</i>	<i>Part Number</i>	<i>Qty.</i>	<i>Description</i>	<i>Ref.</i>	<i>Part Number</i>	<i>Qty.</i>	<i>Description</i>
1	138-2521	1	Harness-Wire	11	121-5726	1	Cable-Battery, Black
1:1	109355	1	Fuse-Blade, 15 Amp ●	13	3256-22	2	Washer-Flat
1:2	109102	1	Fuse-Blade, 25 Amp ●	14	32144-4	2	Screw-HWH
2	105-1692	1	Battery- Dry, 12V, 230 CCA	15	321-3	1	Screw-HH
3	117-1197	1	Solenoid	17	3229-1	1	Screw-CARR
4	137-4100	1	Switch-Ignition	18	32128-33	2	Nut-HF
5	63-8360	1	Key-Ignition	19	32103-22	1	Nut-Wing
6	103-5221	1	Switch-PTO	20	3220-2	2	Nut-Jam
7	110-6765	2	Switch	22	140-2080	1	Cover-Solenoid
8	139-2381	1	Strap-Rubber	23	140-2081	1	Cap-Solenoid
9	140-2713	1	Cable-Battery, Pos				
10	139-2431	1	Cable-Battery, Red (8 Gauge)				

● Not illustrated

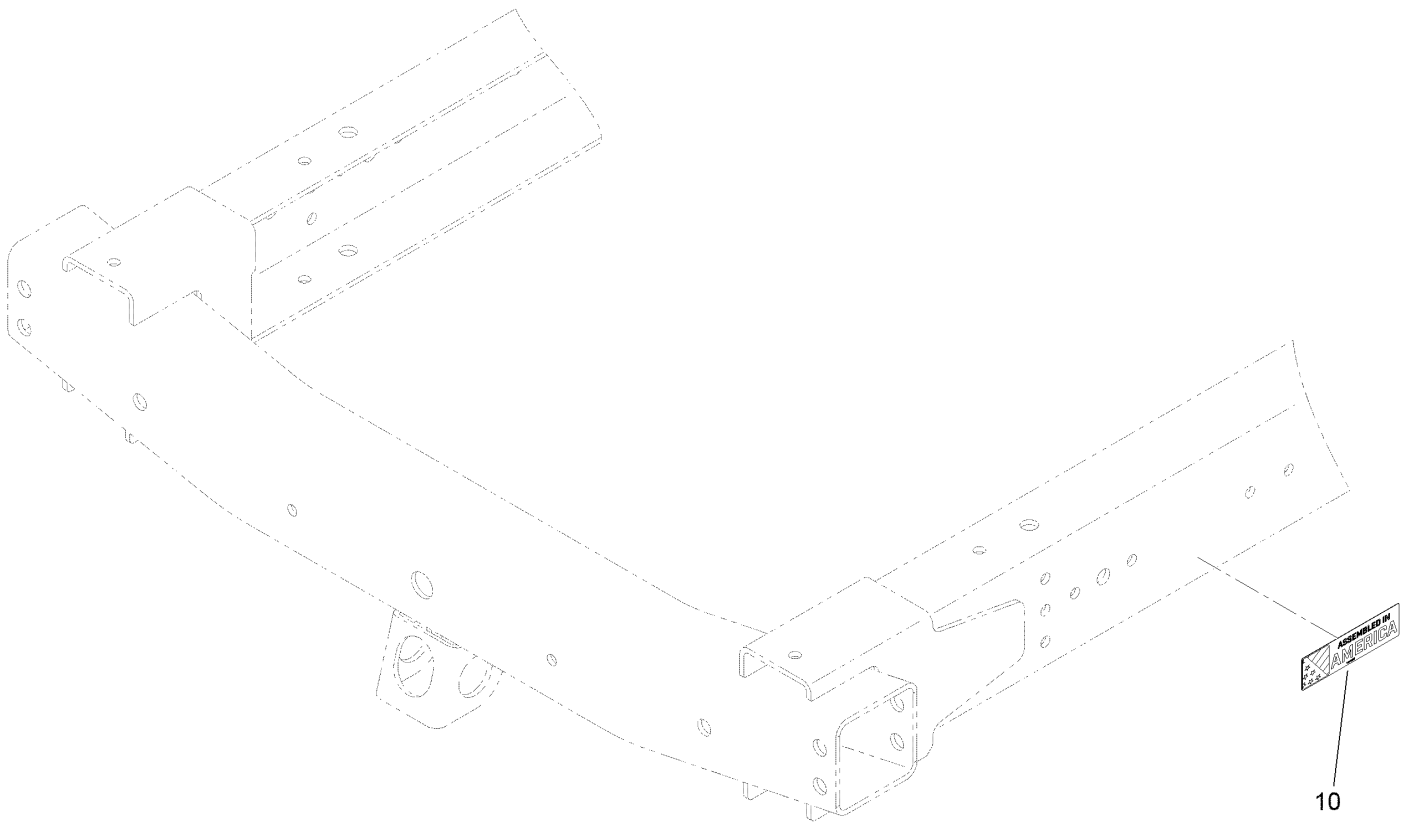
# 42in Deck and Decal Assembly



## 42in Deck and Decal Assembly (continued)

<i>Ref.</i>	<i>Part Number</i>	<i>Qty.</i>	<i>Description</i>	<i>Ref.</i>	<i>Part Number</i>	<i>Qty.</i>	<i>Description</i>
1	138-9769	1	42In Deck And Decal ASM	21	104-8301	6	Nut-HF, NI
1:3	130-0731	1	Decal-Danger	22	138-7262	1	Arm-Idler
1:4	132-0872	2	Decal-Danger, Deck	23	147-2924	1	V-Belt
1:5	105-7015	1	Decal-Routing, Belt	24	137-2019	1	Rod-Pivot
5	140-2123	1	Decal-Deck	25	138-7502	1	Deflector-Discharge
6	139-3214	2	Spindle ASM	26	138-7268	1	Spring-Torsion
6:2	120-7935	2	Spacer	27	3296-59	1	Nut-Lock, NI
6:3	138-9770	2	Bearing-Ball	28	1-603299	2	Roller-Scalp, Anti
7	32144-41	8	Screw-Taptite	29	112-3977	2	Bolt-Shoulder
8	117-7268	2	Shaft-Spindle	30	133-9289	1	Fitting-Washout
9	139-2433	2	Pulley	30:2	133-9290	1	O-Ring
10	3219-6	2	Nut-Hex	31	32144-4	2	Screw-HWH
11	137-1999-03	2	Blade	32	138-7267	1	Hook-Spring, Return
13	145-0411	2	Bolt-Blade, Sems	33	138-7265	1	Spring Extension
14	132-9420	2	Pulley-Idler, Flat	34	139-5871	2	Pin-Deck
15	3256-24	1	Washer-Plain	35	144-1905	2	Cover-Belt
16	323-9	3	Screw-HH	36	95-3270	1	Connector-Hose
17	110-9981	1	Washer-Plain	37	139-3272-03	2	Bracket-Cover, Belt
18	63-7400	2	Washer-Rebound	38	144-1944	2	Pin-Hair
19	114-0463	2	Washer-Friction, Composite	39	94-6961	2	Screw
20	115-4986	1	Spacer				

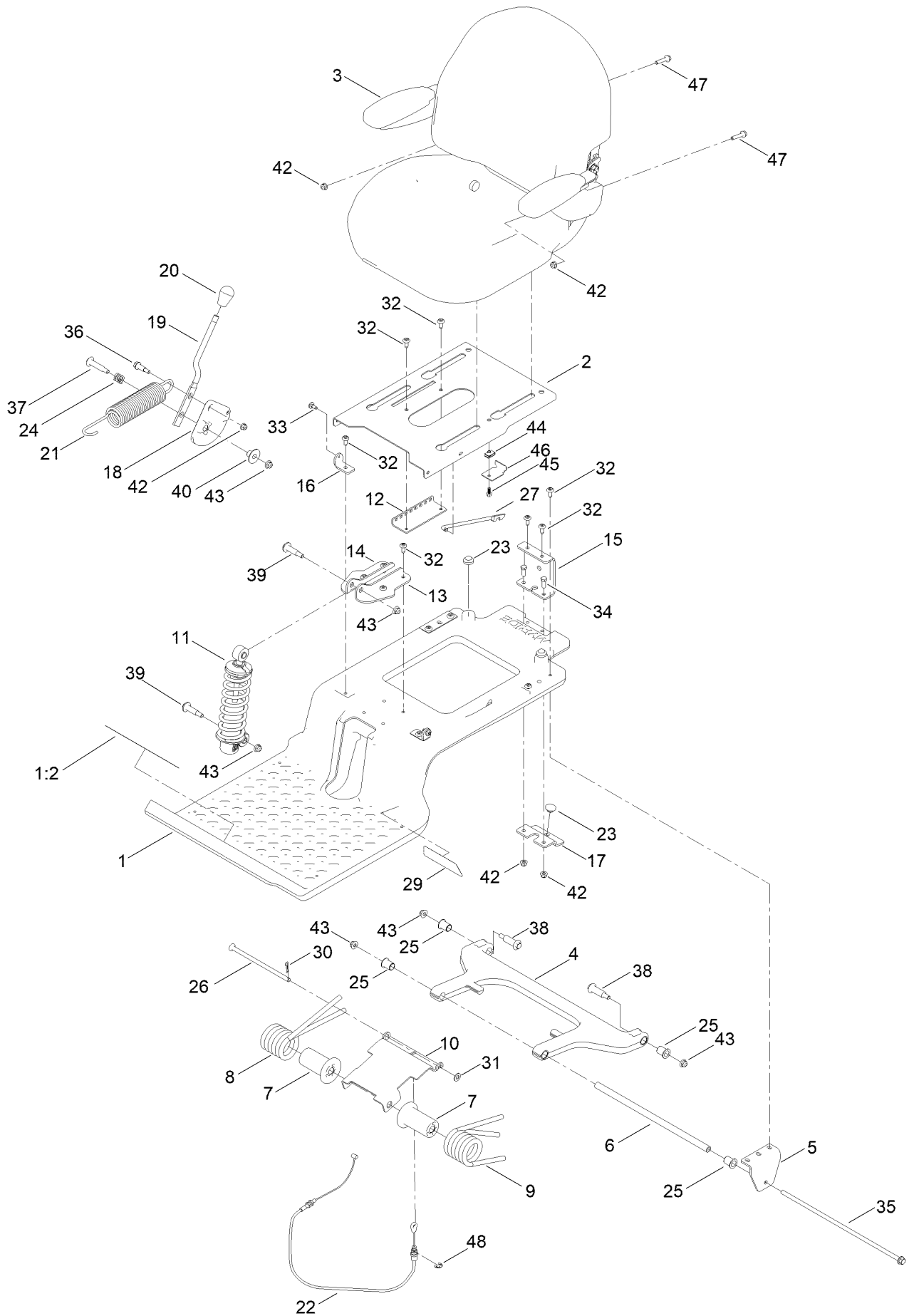
# Frame Decal Assembly



## Frame Decal Assembly (continued)

<i>Ref.</i>	<i>Part Number</i>	<i>Qty.</i>	<i>Description</i>
10	140-2099	1	Decal

# Seat Assembly

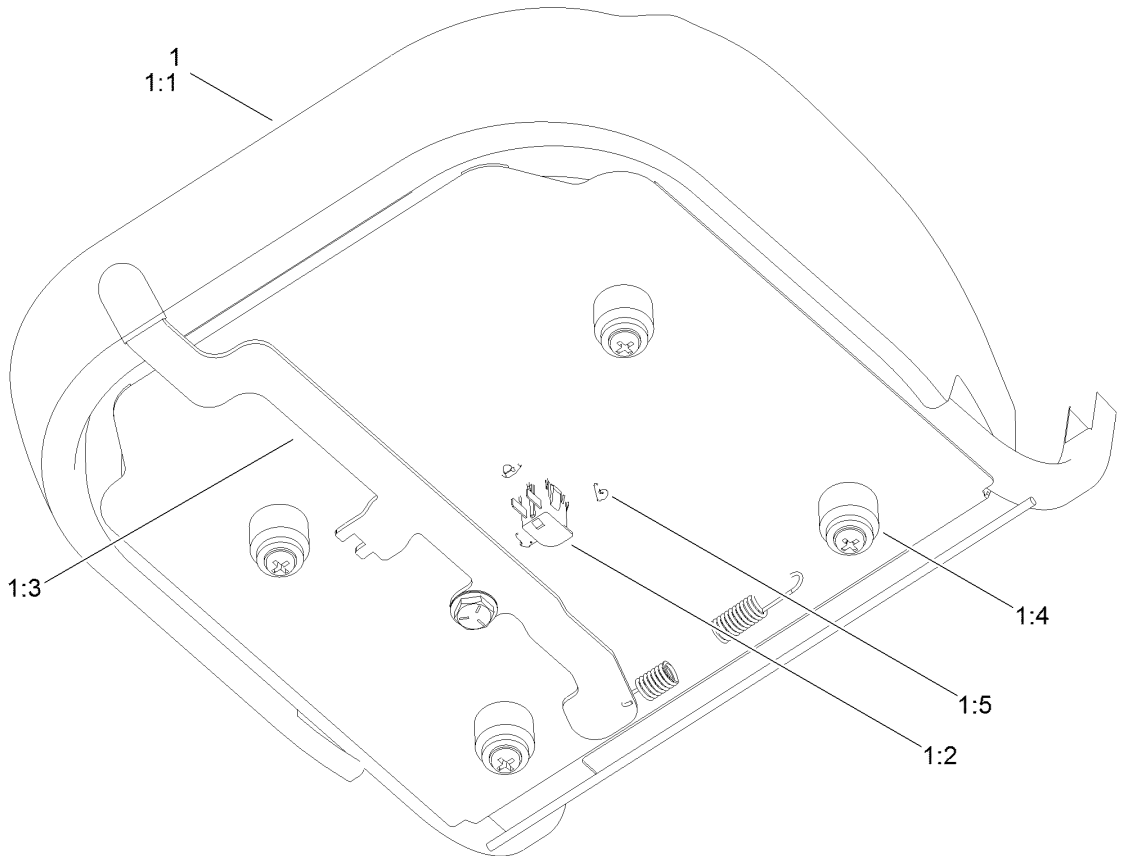
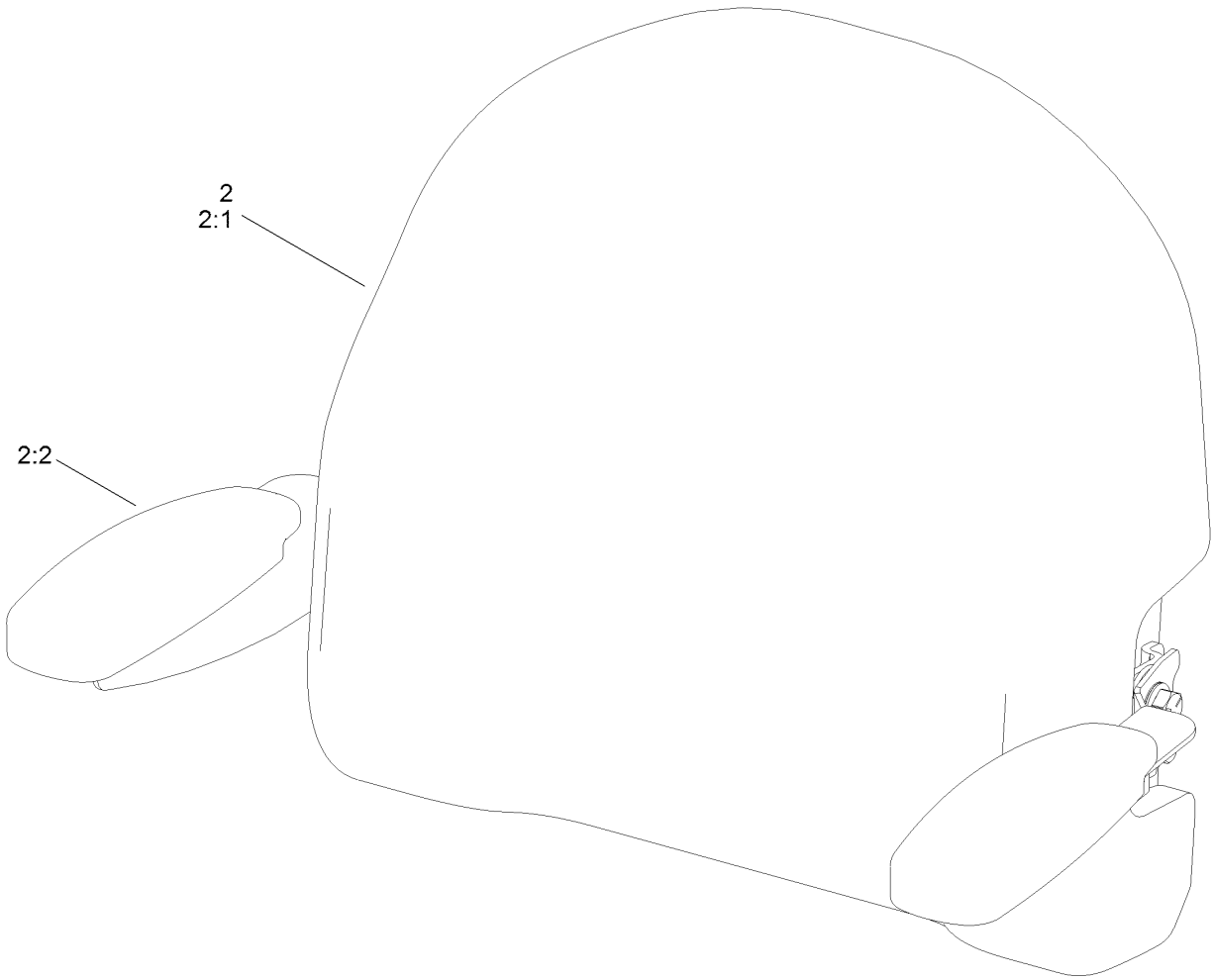




## Seat Assembly (continued)

<i>Ref.</i>	<i>Part Number</i>	<i>Qty.</i>	<i>Description</i>	<i>Ref.</i>	<i>Part Number</i>	<i>Qty.</i>	<i>Description</i>
1	140-5046	1	Subframe ASM	23	135-0505	3	Bumper-Seat
1:2	132-0869	1	Decal-Danger	24	139-5858	1	Spring-Compression
2	138-7540-03	1	Pan-Seat	25	138-2573	4	Bushing-Flange
3	140-8303	1	Seat ASM	26	138-9813	1	Rod-Adjustment
4	138-2563	1	Arm, Swing	27	138-2596	1	Rod-Prop, Seat
5	138-7517	2	Bracket-Mount, Swing Arm	29	140-0357	1	Decal-Myride
6	138-7549	1	Tube-Spacer	30	1-806003	1	Pin-Cotter
7	138-9776	2	Retainer-Spring	31	3256-24	1	Washer-Plain
8	137-7018	1	Spring-Torsion, RH	32	138-9753	14	Screw
9	137-1983	1	Spring-Torsion, LH	33	120-7950	2	Screw-Torx
10	138-7566-03	1	Plate-Adjuster	34	322-4	2	Screw-HH
11	139-2427	1	Shock/Spring ASM	35	138-7548	1	Screw-HHF
12	131-4008-03	1	Bracket-Latch, Seat	36	140-3759	1	Bolt-Shoulder,HHF
13	133-9318-03	1	Bracket-Shock Mount, Upper (LH)	37	92-1057	1	Bolt-Shoulder
14	133-9319-03	1	Bracket-Shock Mount, Upper (RH)	38	138-2547	2	Bolt-Shoulder
15	138-9788	1	Bracket-Cable	39	136-7198	2	Bolt-Shoulder
16	138-7522	2	Bracket-Seat	40	139-5800	1	Bushing - Flange
17	139-2361-03	1	Bracket Lower	42	104-8300	5	Nut-HF, NI
18	138-9814	1	Pulley - Cam	43	119-4042	6	Nut-HF, NI
19	138-9822	1	Lever - Adjustment	44	107069	1	Clip
20	140-5176	1	Knob-Mr	45	99-6810	1	Screw-HHF
21	138-9848	1	Spring-Extension	46	138-7214	1	Bracket-Stop, Seat
22	138-9812	1	Cable-Adjustment, Myride	47	140-5024	2	Screw-HHF
				48	32120-47	1	Ring-Retaining, External

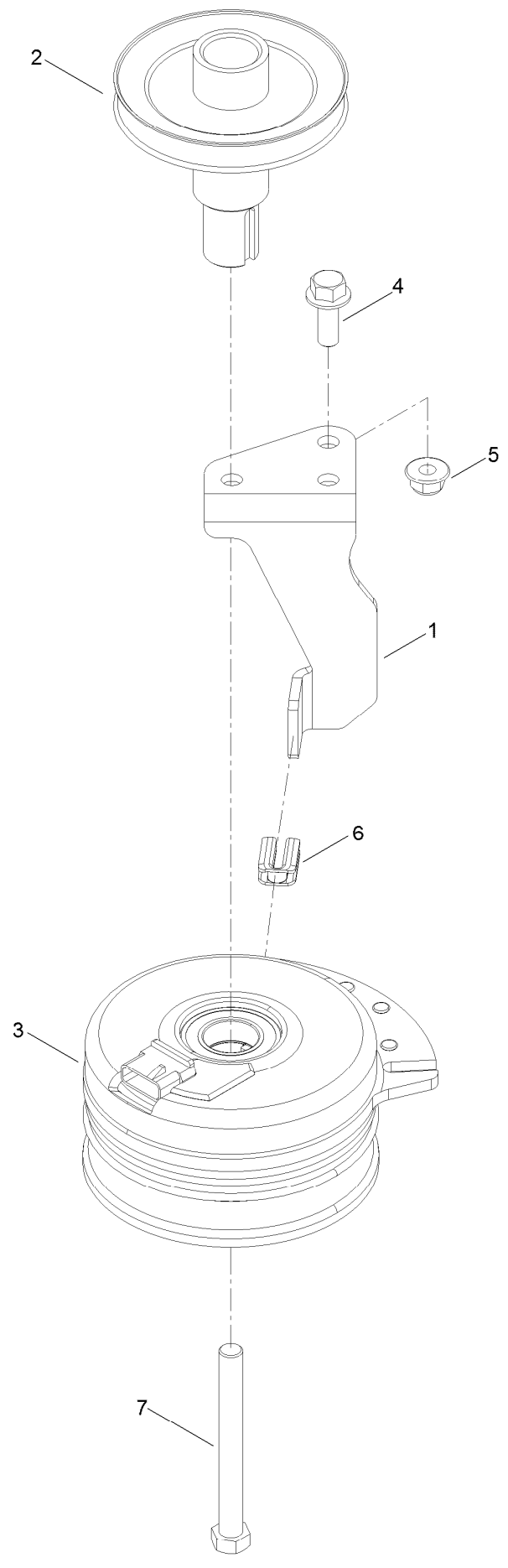
# Seat Assembly No. 140-8303



## Seat Assembly No. 140-8303 (continued)

<i>Ref.</i>	<i>Part Number</i>	<i>Qty.</i>	<i>Description</i>	<i>Ref.</i>	<i>Part Number</i>	<i>Qty.</i>	<i>Description</i>
1	140-8323	1	Seat ASM - Bottom	1:5	140-3468	1	Cap-Switch, Actuator
1:1	140-5042	1	Cover-Seat Base	2	140-8324	1	Seat ASM -Back
1:2	82-2190	1	Switch-Bail	2:1	140-5041	1	Cover-Seat Back
1:3	131-4153	1	Track ASM	2:2	139-5823	1	Arm Rest Kit
1:4	131-4154	1	Bushing ASM				

# Clutch Assembly



## Clutch Assembly (continued)

<i>Ref.</i>	<i>Part Number</i>	<i>Qty.</i>	<i>Description</i>	<i>Ref.</i>	<i>Part Number</i>	<i>Qty.</i>	<i>Description</i>
1	138-7275	1	Stop-Clutch (Narrow)	5	104-8301	1	Nut-HF, NI
2	138-9792	1	Pulley-Engine	6	120-2217	1	Isolator-Clutch
3	117-7468	1	Clutch-Electric	7	3212-16	1	Screw-HH
4	3234-42	1	Screw-HHF				

# Attachments and Accessories

## For 75747 TimeCutter MyRIDE 42in Riding Mower

Product Name	Model/Part
Twin Bagger, Timecutter 42 Inch Fab.....	79411
42 Inch Recycler Kit.....	139-3265
42 Inch Bagging Enhancement Kit.....	139-7478
42 Inch Striping Kit.....	140-5159
Hourmeter Kit.....	116-5461
Front Weight Kit.....	140-2050
Assist Bar Kit.....	140-2052
Heavy Duty Spring Kit.....	140-2051
ROPS Kit.....	79485
Slope Sensor Kit.....	79486
LED Light Kit.....	140-2056
Sunshade Kit.....	140-2054
Deck Footlift Assist Kit.....	140-2059
Floormat Kit.....	140-2061
Jack Mount Kit.....	140-2711
Jack Kit.....	127-6666
Replacement Blade Kit.....	137-1999-03P
Storage Cover.....	490-7516
Seat Cover w/Arm Rest.....	117-0097
4-Cycle Fuel, Snow And Lawn 32oz Can.....	131-3823
Fuel Stabilizer .05 oz.....	130-2393
Toro Premium Fuel Treatment 12oz Bottle.....	131-6572
10W30 4-Cycle Engine Oil (32oz Bottle).....	38280
Toro 4-Cycle SAE 30 Oil (32oz Bottle).....	38903
Mower Deck Drive Belt, TimeCutter SS Riding Mower with 42-inch Mowing Deck.....	79004

## For 75747 TimeCutter MyRIDE 42in Riding Mower

Product Name	Model/Part
Twin Bagger, Timecutter 42 Inch Fab.....	79411
42 Inch Recycler Kit.....	139-3265
42 Inch Bagging Enhancement Kit.....	139-7478
42 Inch Striping Kit.....	140-5159
Striper-Kit.....	146-0404
Hourmeter Kit.....	116-5461
Front Weight Kit.....	140-2050
Assist Bar Kit.....	140-2052
Heavy Duty Spring Kit.....	140-2051
ROPS Kit.....	79485
Slope Sensor Kit.....	79486
LED Light Kit.....	140-2056
Sunshade Kit.....	140-2054
Deck Footlift Assist Kit.....	140-2059
Floormat Kit.....	140-2061
Jack Mount Kit.....	140-2711

## Attachments and Accessories (continued)

Jack Kit.....	127-6666
Replacement Blade Kit.....	137-1999-03P
Storage Cover.....	490-7516
Seat Cover w/Arm Rest.....	117-0097
4-Cycle Fuel, Snow And Lawn 32oz Can.....	131-3823
Fuel Stabilizer .05 oz.....	130-2393
Toro Premium Fuel Treatment 12oz Bottle.....	131-6572
10W30 4-Cycle Engine Oil (32oz Bottle).....	38280
Toro 4-Cycle SAE 30 Oil (32oz Bottle).....	38903
Maintenance Kit Toro V-twin Engine.....	139-0646
Maintenance Kit Toro.....	139-0649
Mower Deck Drive Belt, TimeCutter SS Riding Mower with 42-inch Mowing Deck.....	79004
Caster Wheel Kit.....	145-0475



**Count on it.**