



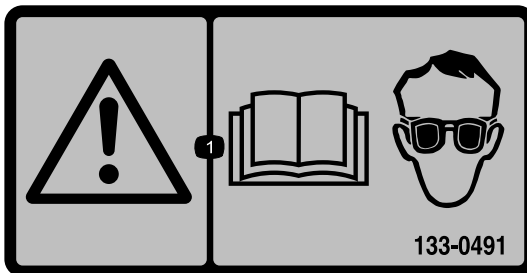
# Gutter Cleaner Kit

Flex-Force Power System® 60V Blower, Ultra/UltraPlus/Super Blower/Vacuum, or Rake and Vac™ Blower/Vacuum

Model No. 51668

## Installation Instructions

Read the *Operator's Manual* and follow all safety instructions.



133-0491

decal133-0491

1. Read the *Operator's Manual*; wear eye protection.



# Installing the Extension Tube Assembly

## On Toro Axial Blowers

1. Shut off the machine and disconnect any power source.
2. Remove the blower tube so that the collar can connect directly to the blower outlet (Figure 2).
3. Slide the collar over the outlet and secure it by tightening the connection strap.

Use the correct universal connection collar for your blower outlet diameter:

- Small collar: 2 to 3 inches (5.1 to 7.6 cm) outlet diameter
- Large collar: 3 to 4 inches (7.6 to 10.2 cm) outlet diameter
- Extra larger collar: 4 to 5 inches (10.2 to 12.7 cm) outlet diameter

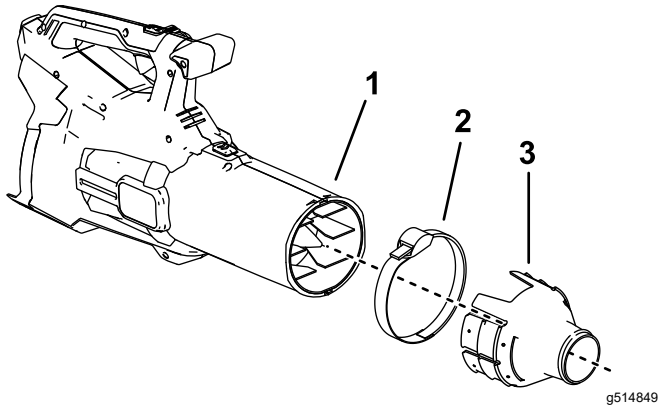


Figure 2

1. Blower housing outlet
2. Universal connection strap
3. Extra large universal connection collar

4. Install the flex tube and extension tubes to the collar as shown in C and E of Figure 3.

# Installing the Extension Tube Assembly

## On Toro Blower Vacs

**Important:** Tighten each extension tube over the bumps at the end of the threads.

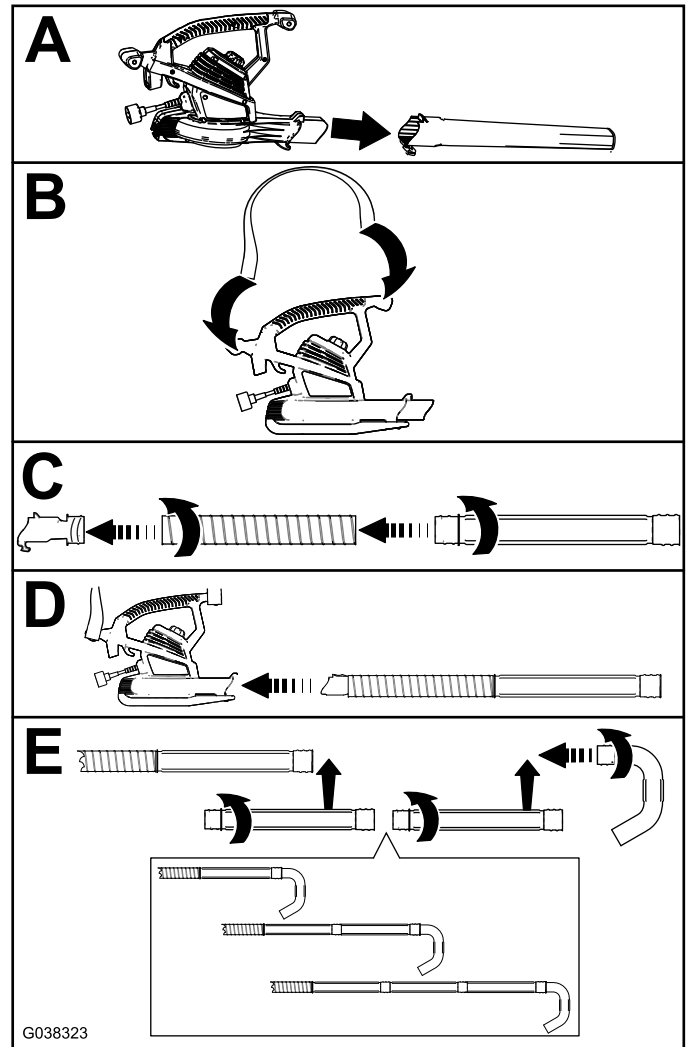


Figure 3

# Operating the Kit

Read the *Operator's Manual* and follow all safety instructions before operating the blower.

**Important:** Do not wear loose clothing that could get caught in the blower.

1. Hold the tube assembly with both hands, keeping the blower against your hips, the nozzle facing outward, and the inlet facing the ground (Figure 4).

**Important:** Do not overreach when using the kit; always keep both feet on the ground.

2. Move the nozzle along the gutter to blow leaves and other debris out of the gutter.

**Important:** Always wear eye protection when operating the kit.

**Important:** Do not block the nozzle, as this could damage the motor.

**Note:** The attachment sways slightly when you turn on the blower.

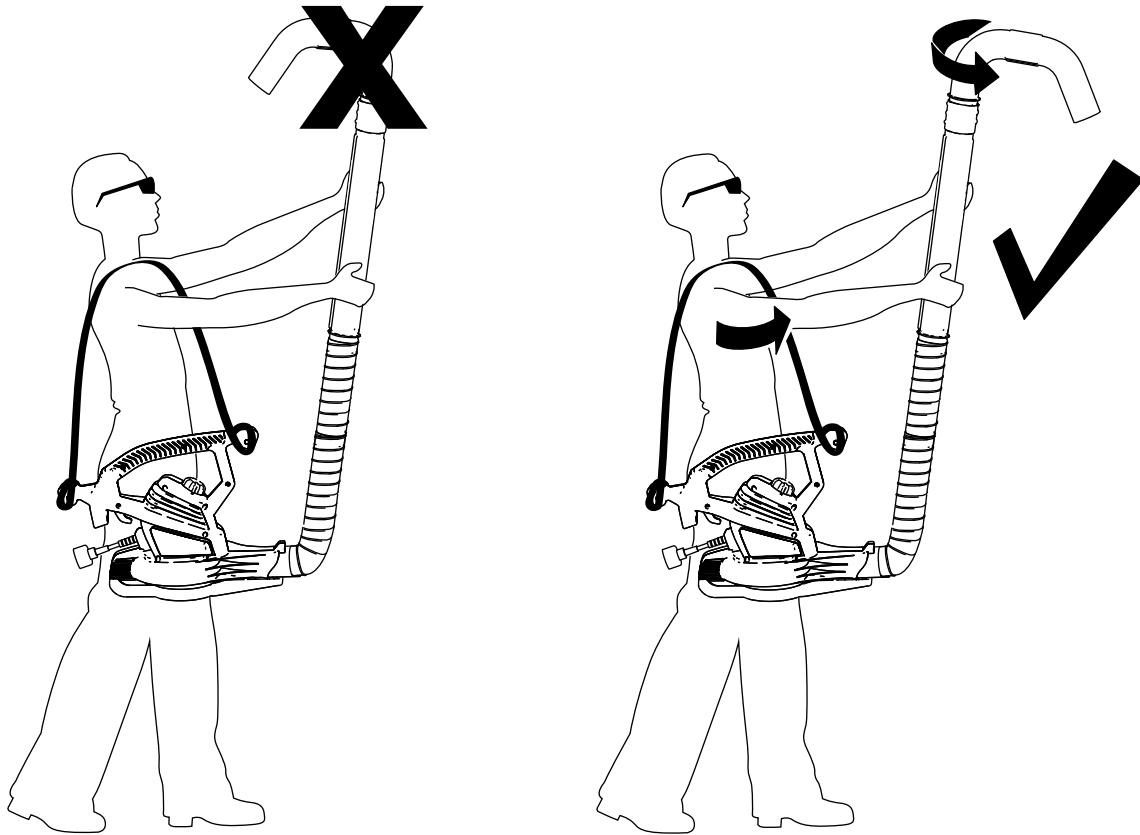


Figure 4

g321002

---

**Note:** Tighten or loosen the end nozzle to point the outlet away from you.



**Count on it.**