



**Count on it.**

**Parts Catalog**

**Groundsmaster® e3300 All-Wheel  
Drive**

**Traction Unit**

**Model No. 31802—Serial No. 40000000 and Up**



# Ordering Replacement Parts

To order replacement parts, please supply the part number, the quantity, and the description of each part desired.

## Understanding Reference Numbers

Each identified part in an illustration has a reference number. The reference number for a part also appears in the parts list, along with other information about the part.

This catalog uses two special reference number formats, one to indicate parts in a service assembly and another to indicate the quantity of a given part in an illustration.

## Service Assembly Reference Numbers

Parts in service assemblies have reference numbers in the form a:b. The a represents the reference number of the entire service assembly and the b represents a sequential number unique to each part within the service assembly.

For example, a wheel assembly might be identified by reference number 6, the tire by 6:1, the valve by 6:2, and the wheel by 6:3. When you order the assembly identified by reference number 6, you receive all parts identified by reference numbers 6:1, 6:2, and 6:3. However, you may also order any part individually. Reference numbers of this type appear in illustration and in parts lists.

## Reference Numbers Indicating Quantity

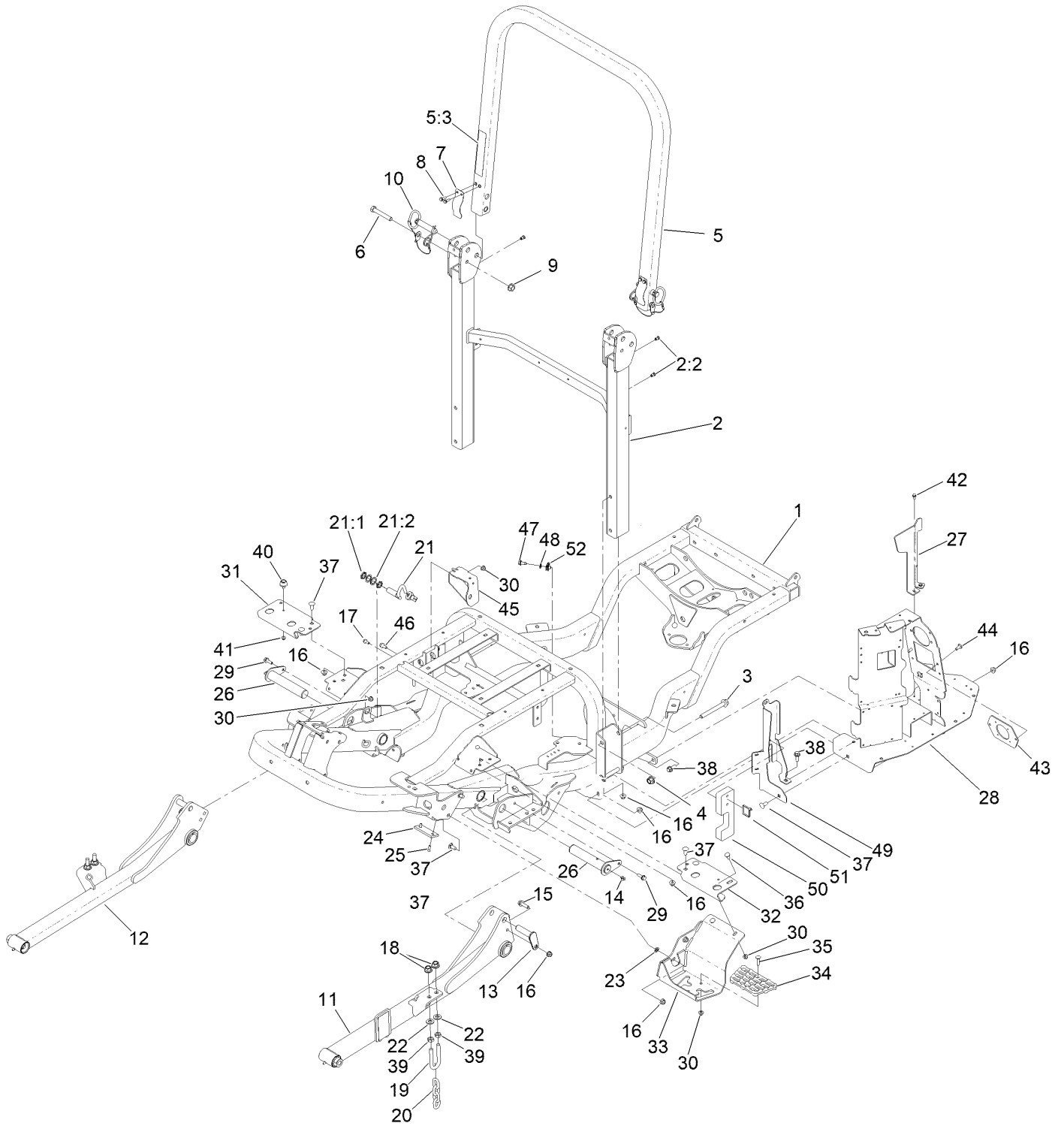
In an illustration, if a reference number indicates more than one part, the reference number has the form nX y. The n represents the quantity of the part, the X is the multiplication symbol, and the y represents the reference number.

For example, in an illustration, the reference number 2X 37 means that two of the parts identified by reference number 37 are indicated.

# Contents

Frame and Roll-Over Protection System Assembly .....	4
LH Lift Arm Assembly No. 144-3943 .....	6
RH Lift Arm Assembly No. 144-3942 .....	8
Axle, Wheel and Motor/Generator Assembly .....	10
Rear Axle Assembly .....	12
Tie Rod Assembly No. 144-3900 .....	14
Steering Cylinder Assembly No. 139-6277 .....	16
Hydraulic Assembly .....	18
Gear Pump Assembly No. 147-5115 .....	20
Steering/Lift Manifold Assembly No. 145-0939 .....	22
Hydraulic Tank Assembly NO. 145-1053 .....	24
Hydraulic Cylinder No. 139-0854 .....	26
Steering Assembly .....	28
Steering Column Assembly No. 139-0857 .....	30
Steering Valve Assembly No. 114-8119 .....	32
Battery Assembly .....	34
Pedal Assembly .....	36
Platform Assembly .....	38
Control Console Assembly .....	40
Electrical Assembly .....	42
Wire Harness Assembly No. 122-3460 .....	44
Hood Assembly .....	46
4WD Assembly .....	48
Miscellaneous Parts Assembly .....	50
Air Ride Suspension Seat Assembly No. 161-0807 .....	52
Attachments and Accessories .....	54

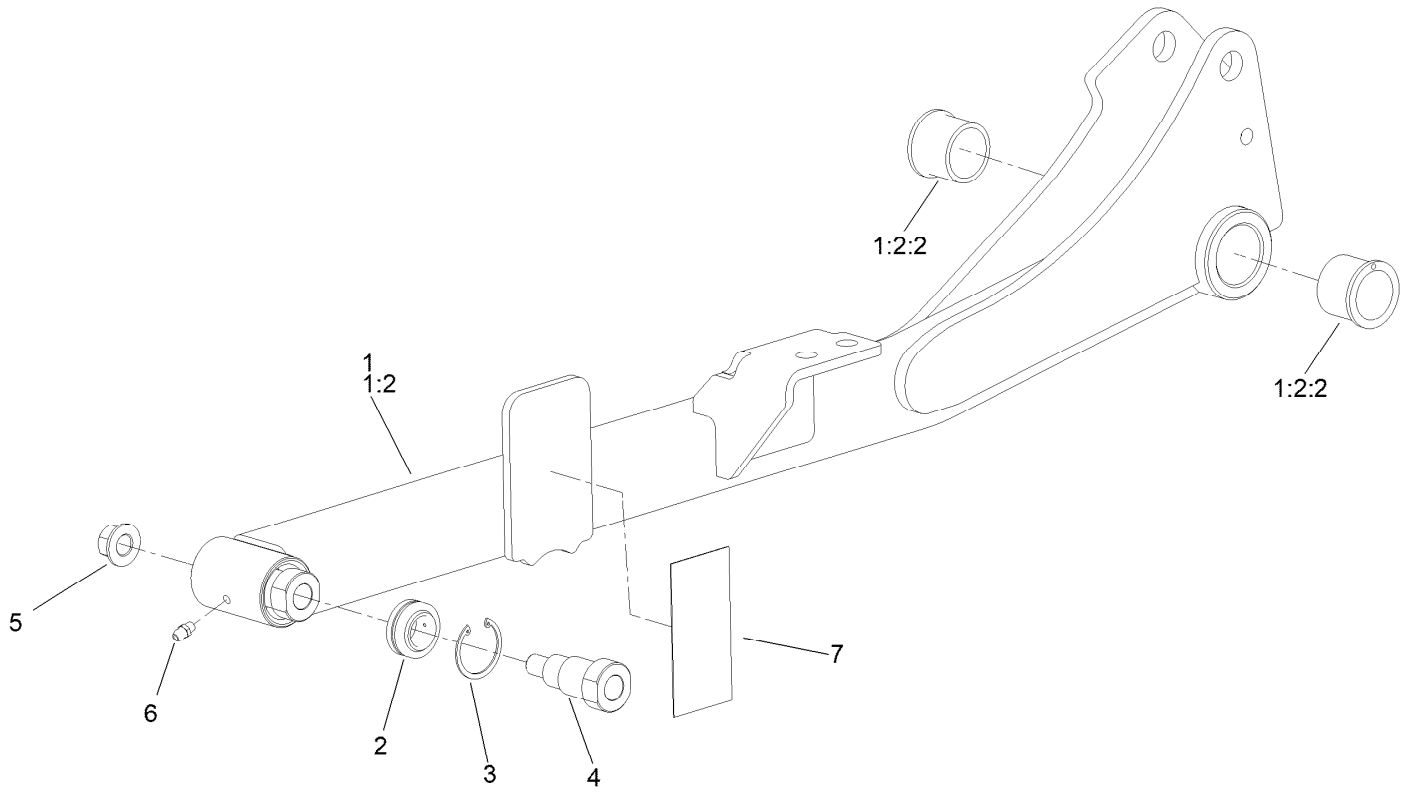
# Frame and Roll-Over Protection System Assembly



# Frame and Roll-Over Protection System Assembly (continued)

<i>Ref.</i>	<i>Part Number</i>	<i>Qty.</i>	<i>Description</i>	<i>Ref.</i>	<i>Part Number</i>	<i>Qty.</i>	<i>Description</i>
1	145-0980-03	1	Frame ASM, Welded	26	145-1130	2	Pin ASM, Welded
2	139-6254	1	ROPS ASM, Lower	27	161-0822-0P	1	Bracket-Deflector
2:2	138-2758	4	Nut-Clinch,Hex	28	161-5120-03	1	Charge Panel Welded
3	117-3176	4	Screw-HHF	29	3234-29	2	Screw-HHF
4	99-5107	4	Nut-Lock	30	104-8300	6	Nut-HF, NI
5	138-7470	1	ROPS ASM, Upper	31	139-0940-03	1	Bracket-Tank Mount, Front RH
5:3	108-2073	1	Decal-Warning	32	138-7365-03	1	Bracket-Tank Mount, Front LH
6	325-13	2	Screw-HH	33	139-0927-01	1	Bracket-Mount, Step
7	110-5696	2	Spring-Leaf	34	126-4781	1	Step-Deck
8	32105-15	4	Screw-HWH	35	3230-3	1	Screw-CARR
9	32128-23	2	Nut-HF	36	3230-23	2	Bolt-CARR
10	161-4477	2	Pin-ROPS, ASM	37	3231-27	7	Screw-CARR
11	144-3943	1	Lift Arm ASM. LH	38	3234-42	2	Screw-HHF
12	144-3942	1	Lift Arm ASM. RH	39	3218-5	4	Nut-Jam
13	138-7489	2	Pin (Machined)	40	109-2365	1	Bumper-Rubber
14	302-40	2	Fitting-Grease, 90 DEG	41	104-7201	2	Nut-HF, NI
15	119-4061	2	Screw-HHF	42	32144-4	2	Screw-HWH
16	104-8301	11	Nut-HF, NI	43	161-0851-03	1	Adapter-Charger
17	99-6810	1	Screw-HHF	44	138-9753	2	Screw
18	99-5107	4	Nut-Lock	45	161-7639-0P	1	Bracket-Cable
19	104-0108	2	U-Bolt	46	139-2598	1	Screw-HHF
20	95-6231	2	Chain-HOC	47	145-5783	1	Screw-Sems
21	115-5300	1	Proximity Switch ASM	48	3256-1	1	Washer-Flat
21:1	117-3207	2	Nut-Hex	49	161-7629-03	1	Shield-Pdu
21:2	117-3208	2	Washer-Lock, Internal Tooth	50	161-7628	1	Foam-Seal, Cable
22	3256-26	4	Washer-Flat	51	3290-379	1	Tie-Cable
23	107-3154	2	Nut-Push	52	126-3739	1	Nut-Retainer
24	138-4452	2	Pad-Stop, Deck				
25	3289-4	4	Screw-FH				

# LH Lift Arm Assembly No. 144-3943

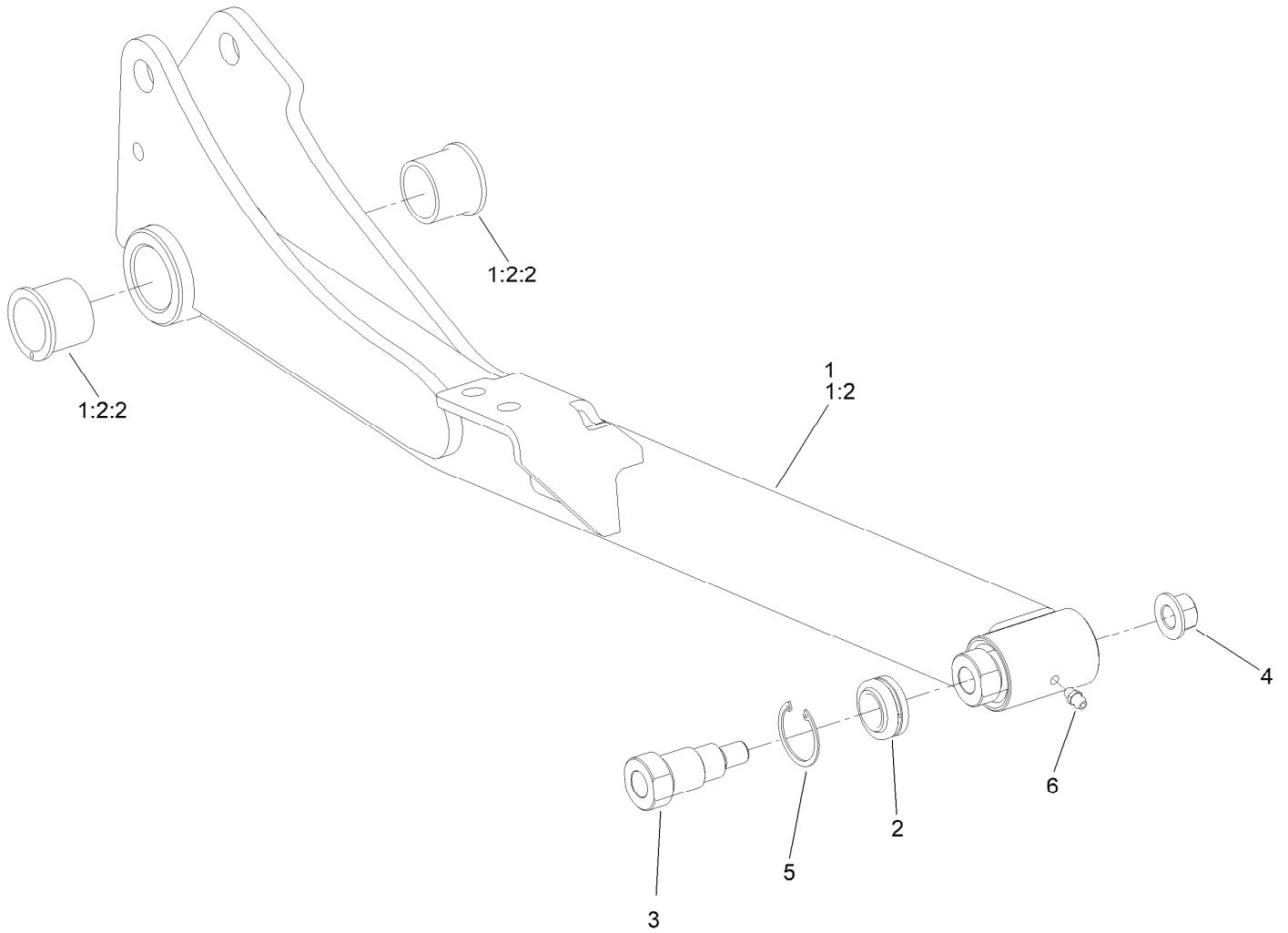


# LH Lift Arm Assembly No. 144-3943 (continued)

<i>Ref.</i>	<i>Part Number</i>	<i>Qty.</i>	<i>Description</i>	<i>Ref.</i>	<i>Part Number</i>	<i>Qty.</i>	<i>Description</i>
1		1	Lift Arm ASM, LH ●	4	139-0910	1	Bolt-Shoulder
1:2		1	Hub-ASM ●	5	99-5107	1	Nut-Lock
1:2:2	104-0015	2	Bushing-Flange	6	302-5	1	Fitting-Grease
2	105-7441	1	Bearing-Spherical	7	139-0948	1	Pad-Ride, Pin
3	32151-34	1	Ring-Retaining				

● Not serviced separately

# RH Lift Arm Assembly No. 144-3942



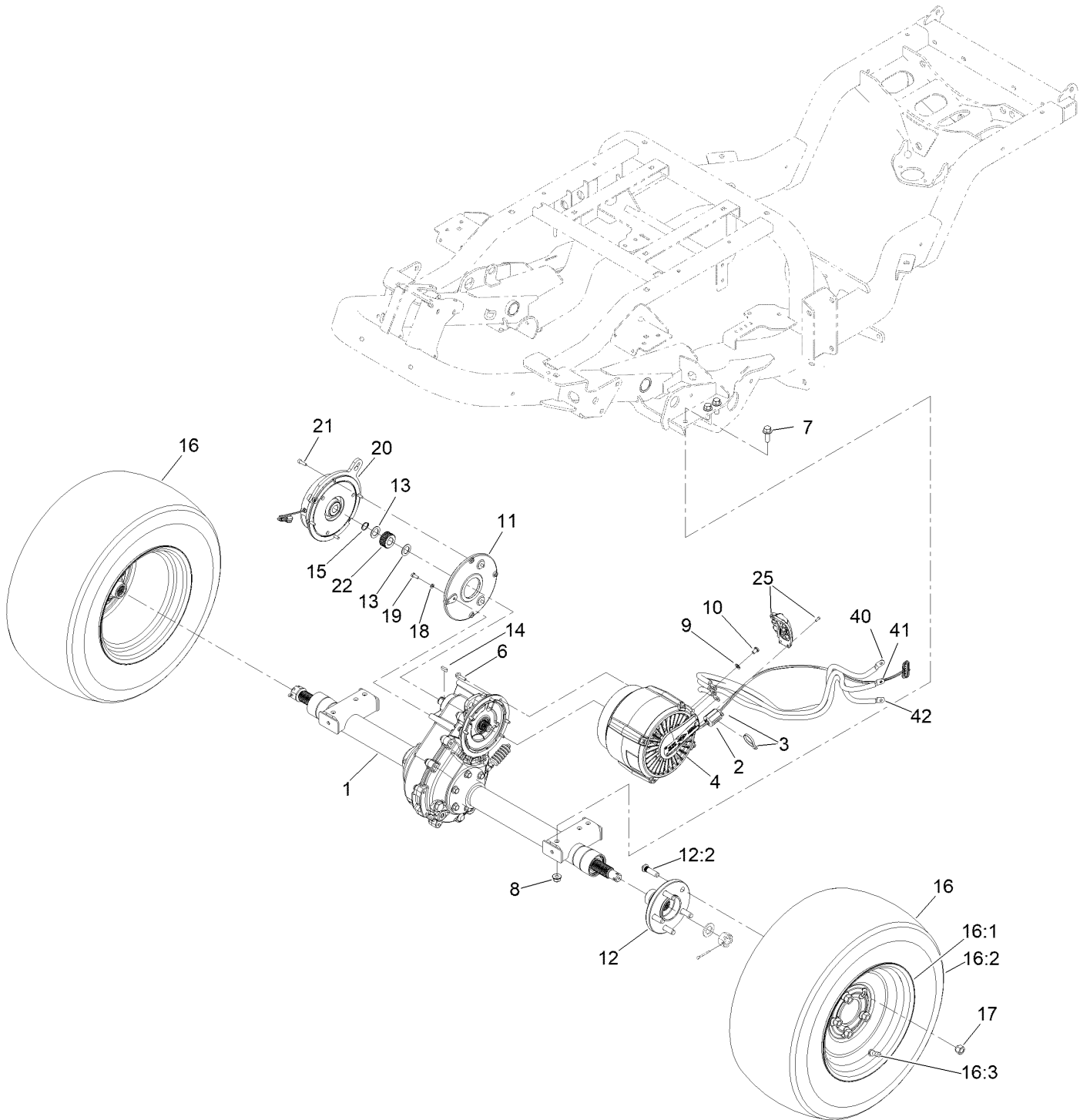


# RH Lift Arm Assembly No. 144-3942 (continued)

<i>Ref.</i>	<i>Part Number</i>	<i>Qty.</i>	<i>Description</i>	<i>Ref.</i>	<i>Part Number</i>	<i>Qty.</i>	<i>Description</i>
1		1	Lift Arm ASM, RH ●	3	139-0910	1	Bolt-Shoulder
1:2		1	Hub-ASM ●	4	99-5107	1	Nut-Lock
1:2:2	104-0015	2	Bushing-Flange	5	32151-34	1	Ring-Retaining
2	105-7441	1	Bearing-Spherical	6	302-5	1	Fitting-Grease

● Not serviced separately

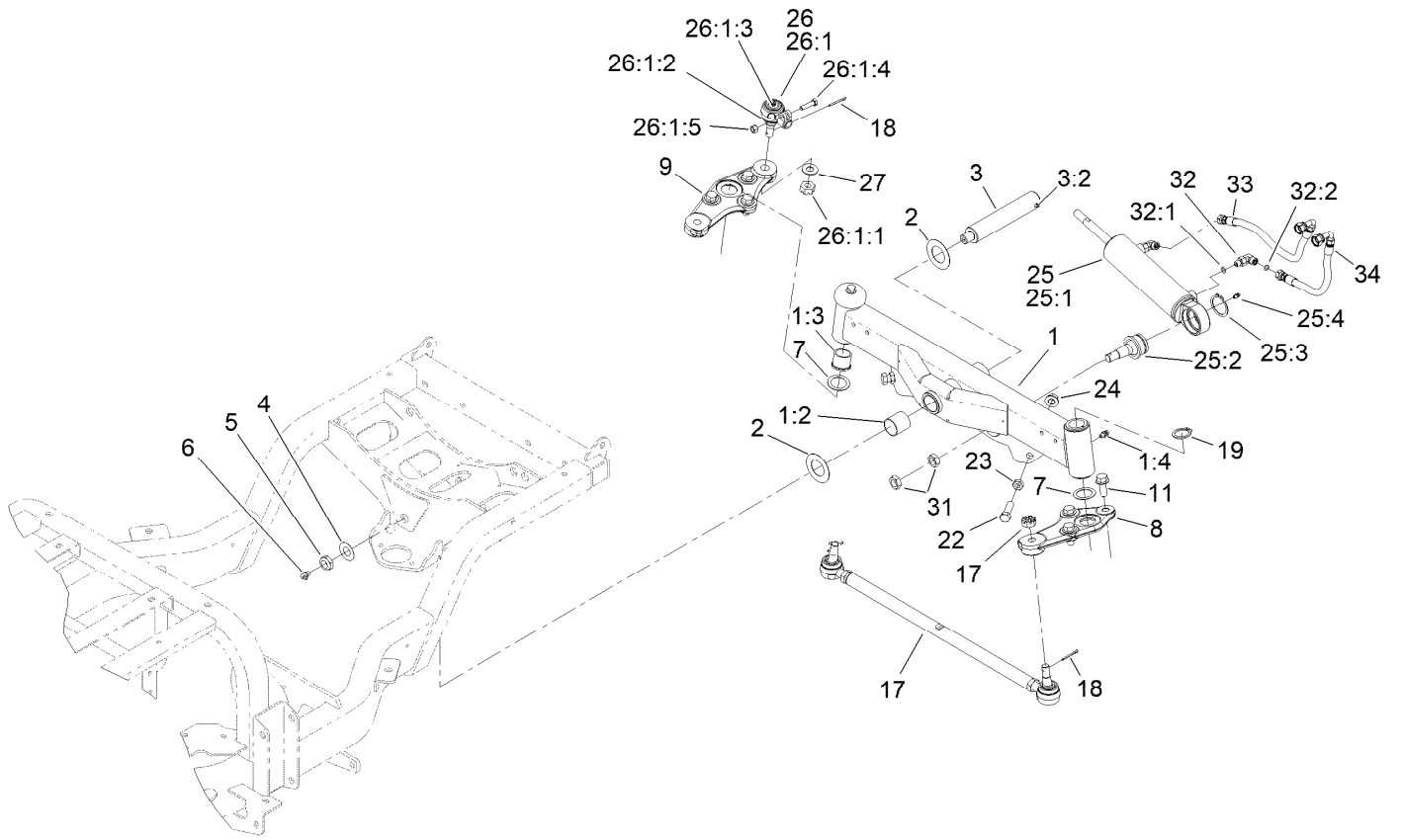
# Axle, Wheel and Motor/Generator Assembly



## Axle, Wheel and Motor/Generator Assembly (continued)

<i>Ref.</i>	<i>Part Number</i>	<i>Qty.</i>	<i>Description</i>	<i>Ref.</i>	<i>Part Number</i>	<i>Qty.</i>	<i>Description</i>
1	145-0905	1	Schafer Axle ASM, 24E	15	32120-15	1	Ring-Snap, EXT
2	147-8183	1	Ferrite, Snap-On	16	137-2590	2	Wheel ASM
3	3290-378	2	Tie-Cable	16:1	137-2594	1	Tire
4	147-5116SP	1	Motor/Gen-48V, 9Kw	16:2	137-2595	1	Rim
6	33103-025	6	Screw-HHF	16:3	232-27	1	Stem-Valve
7	117-9035	6	Screw-HHF	17	139-2564	10	Nut-Lug
8	144-2269	6	Nut-HF, NI	18	33093-00	3	Washer-Flat
9	147-5054	3	Washer-Belleville	19	33113-016	3	Screw-HH
10	147-5055	3	Screw-HSBH	20	145-1099	1	Brake ASM, Electric
11	145-1132-0P	1	Adapter-Brake [primed]	21	52-6290	4	Screw-HSH
12	145-0938	2	Wheel Hub ASM	22	145-1134	1	Hub-Splined
12:2	10-6830	5	Stud-Type, Drive	25	147-2120	1	Kit-Terminal Cover
13	145-1139	2	Washer-Poly	40	122-2709	1	Cable-Battery, Rd ASM
14	MSC15592	1	Key-Square,6 MM X 20MM, Din 6885-A	41	122-2710	1	Cable-Battery, Rd ASM
				42	122-2711	1	Cable-Battery, Rd ASM

# Rear Axle Assembly

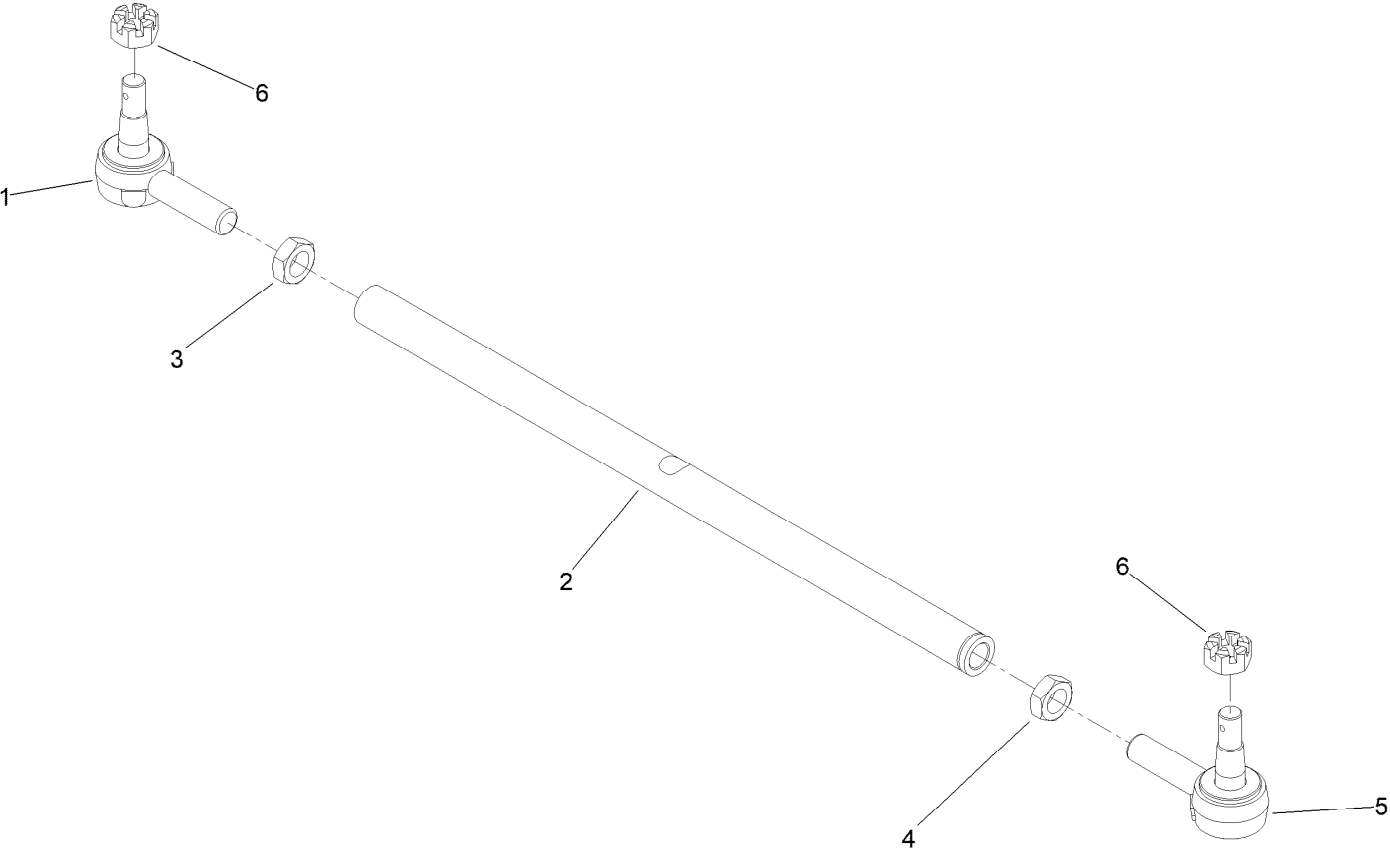


## Rear Axle Assembly (continued)

<i>Ref.</i>	<i>Part Number</i>	<i>Qty.</i>	<i>Description</i>	<i>Ref.</i>	<i>Part Number</i>	<i>Qty.</i>	<i>Description</i>
1	161-2404	1	Axle ASM	25	161-5117	1	Steering Cylinder ASM
1:2	99-6964	2	Bushing-Axle	25:1	139-6277	1	Steering Cylinder
1:3	104-0015	4	Bushing-Flange	25:2	106-6774	1	Joint-Ball
1:4	302-5	2	Fitting-Grease	25:3	32151-104	1	Ring-Retaining, External
2	99-8432	2	Washer-Thrust	25:4	302-5	1	Fitting-Grease
3	140-6101	1	Pin ASM-Axle Pivot	26	106-6895-03	1	Ball Joint ASM
3:2	32121-32	1	Pin-Roll	26:1		1	Joint-Ball ●
4	71-4540	1	Washer-Thrust	26:1:1	32136-13	1	Nut-SHH
5	3296-15	1	Nut-Lock, NI	26:1:2	106-6896	1	Seal
6	302-33	1	Fitting-Grease	26:1:3	302-5	1	Fitting-Grease
7	76-2980	2	Washer-Thrust	26:1:4	3210-7	1	Screw-HH
8	140-3144	1	Link-Drag, LH	26:1:5	32152-5	1	Nut-Hex
9	140-3142	1	Link-Drag, RH	27	69-8980	1	Washer
11	3234-38	6	Screw-HHF	31	3220-6	2	Nut-Jam
17	144-3900	1	Tie Rod ASM	32	340-132	2	Fitting-Elbow, 90 DEG
18	3272-12	3	Pin-Cotter	32:1	237-78	1	O-Ring
19	32151-77	2	Ring-Retaining, External	32:2	237-21	1	O-Ring
22	325-7	2	Screw-HH	33	115-0383	1	Hose ASM
23	3218-5	2	Nut-Jam	34	137-2584	1	Hose ASM
24	99-5107	2	Nut-Lock				

● Not serviced separately

# Tie Rod Assembly No. 144-3900

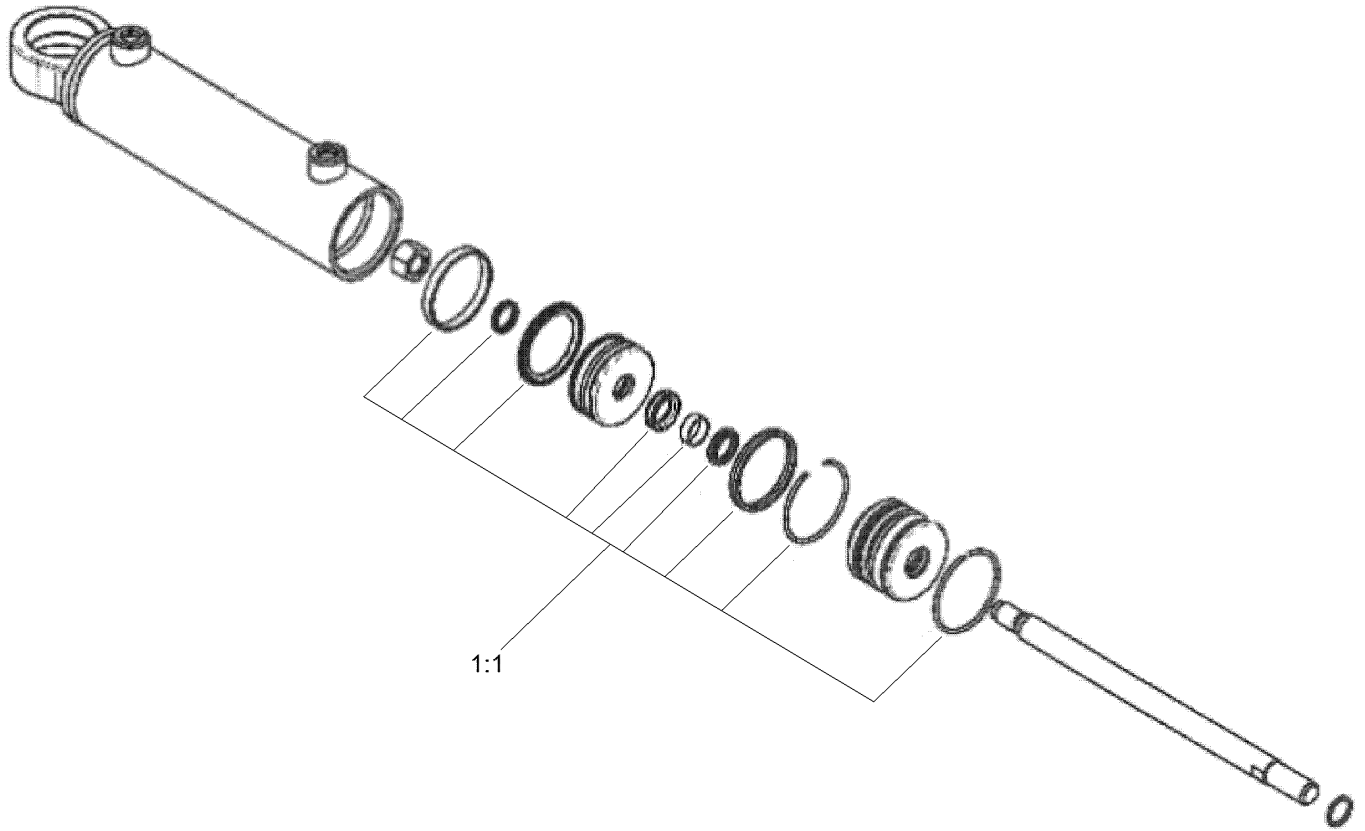


## Tie Rod Assembly No. 144-3900 (continued)

<i>Ref.</i>	<i>Part Number</i>	<i>Qty.</i>	<i>Description</i>
1	144-3901	1	Tie Rod End
2	133-6463	1	Tie-Rod
3	84-5300	1	Nut-Jam

<i>Ref.</i>	<i>Part Number</i>	<i>Qty.</i>	<i>Description</i>
4	110-5337	1	Nut-Jam
5	144-3902	1	Tie Rod End
6	140-6135	2	Nut-Hex, Slotted

# Steering Cylinder Assembly No. 139-6277



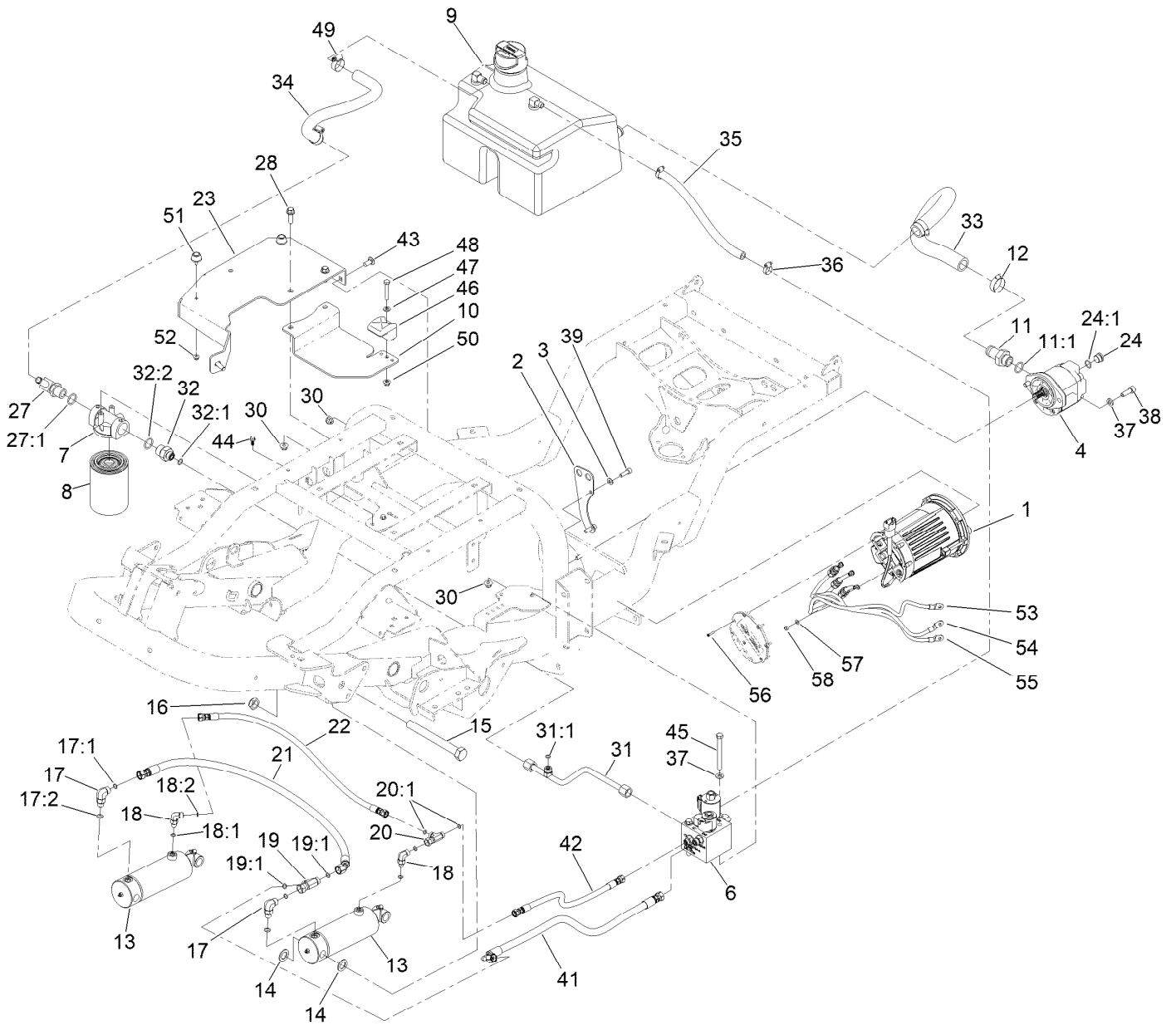


# Steering Cylinder Assembly No. 139-6277 (continued)

<i>Ref.</i>	<i>Part Number</i>	<i>Qty.</i>	<i>Description</i>
1:1	140-3120	1	Kit-Seal ●

● Not illustrated

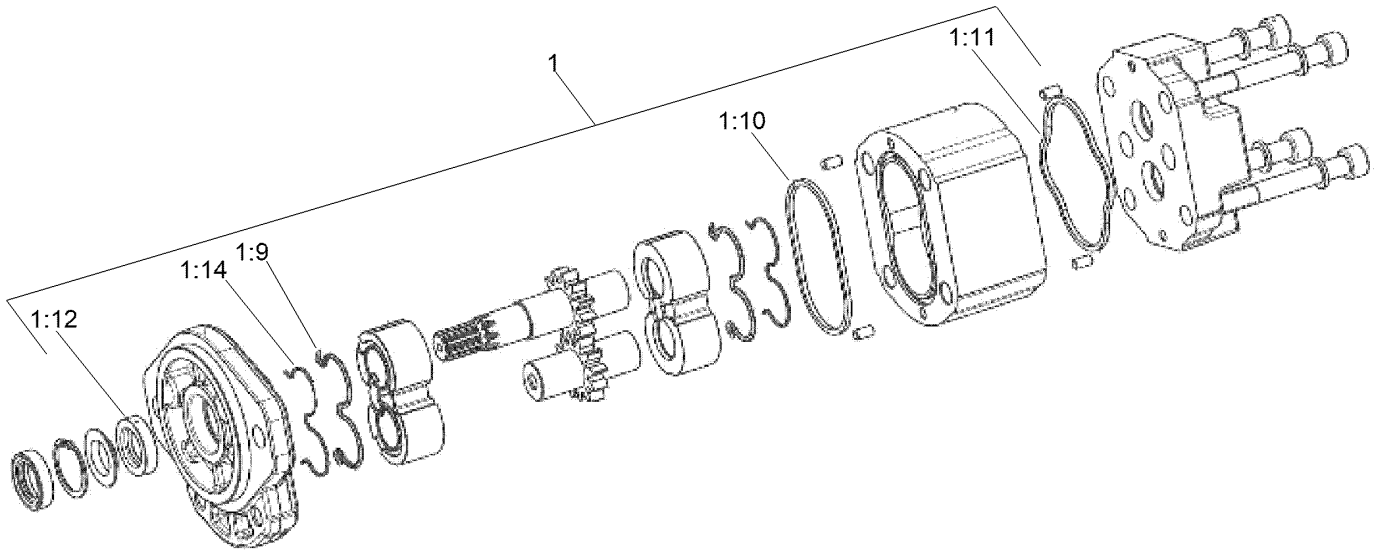
# Hydraulic Assembly



## Hydraulic Assembly (continued)

<i>Ref.</i>	<i>Part Number</i>	<i>Qty.</i>	<i>Description</i>	<i>Ref.</i>	<i>Part Number</i>	<i>Qty.</i>	<i>Description</i>
1	145-0995SP	1	Electric Motor, Ashwoods	28	119-4061	1	Screw-HHF
2	147-2054-0P	1	Plate-Bulkhead	30	104-8301	6	Nut-HF, NI
3	33094-00	4	Washer-Plain	31	145-1088	1	Hydraulic Tube ASM
4	147-5115	1	Pump-Gear	31:1	237-42	1	O-Ring
6	145-0939	1	Manifold-Steering/Lift	32	100-4240	1	Fitting-STR
7	92-5821	1	Head-Filter	32:1	237-30	1	O-Ring
8	86-3010	1	Filter-Oil	32:2	237-81	1	O-Ring
9	145-1053	1	Tank ASM	33	145-1051	1	Hose-Suction
10	145-0934-03	1	Bracket-Tank, Hydraulic	34	145-1052	1	Hose-Return
11	99-3017	1	Fitting	35	114-8438	1	Hose-HYD
11:1	237-81	1	O-Ring	36	2412-36	2	Clamp-Hose
12	2412-34	2	Clamp-Hose	37	139-6293	4	Washer
13	139-0854	2	Cylinder-Hydraulic	38	AU862-10030	2	Screw-HSH
14	126-7888	4	Washer-Nylon	39	98-5828	4	Screw-HSH
15	328-23	2	Screw-HH	41	145-1136	1	Hose ASM
16	HDW02059	2	Nut-Hex	42	145-1135	1	Hose ASM
17	340-77	2	Fitting-Elbow, 90 DEG	43	3231-25	3	Bolt-CARR
17:1	237-22	1	O-Ring	44	99-6810	2	Screw-HHF
17:2	237-42	1	O-Ring	45	323-42	2	Screw-HH
18	340-132	2	Fitting-Elbow, 90 DEG	46	107-4543	1	Clamp
18:1	237-78	1	O-Ring	47	3256-23	1	Washer-Plain
18:2	237-21	1	O-Ring	48	322-10	1	Screw-HH
19	340-115	1	Fitting-Tee	49	2412-129	2	Clamp-Hose
19:1	237-22	2	O-Ring	50	104-8300	1	Nut-HF, NI
20	340-151	1	Fitting-Tee	51	109-2365	2	Bumper-Rubber
20:1	237-21	2	O-Ring	52	104-7201	2	Nut-HF, NI
21	137-5844	1	Hose ASM	53	122-2712	1	Cable-Battery, Rd ASM
22	137-5845	1	Hose ASM	54	122-2713	1	Cable-Battery, Rd ASM
23	145-1105-03	1	Brkt-Storage Bin	55	122-2714	1	Cable-Battery, Rd ASM
24	353-988	1	Plug-Hex	56	147-6042	6	Screw-Tfh
24:1	237-79	1	O-Ring	57	1-303435	3	Washer-Spring
27	117-3681	1	Fitting-Elb 90	58	HDW21408	3	Nut-Hex
27:1	237-81	1	O-Ring				

# Gear Pump Assembly No. 147-5115

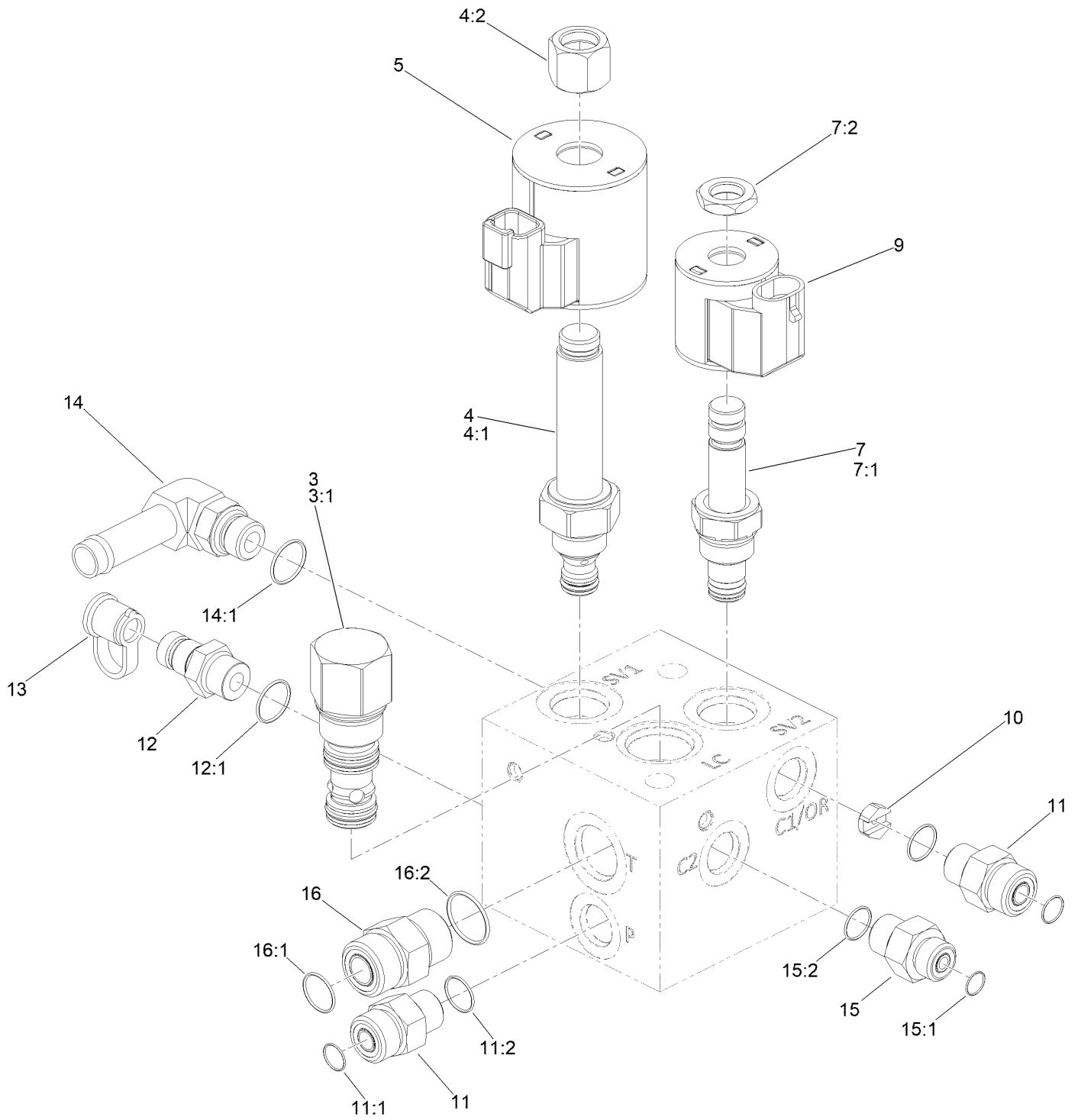


# Gear Pump Assembly No. 147-5115 (continued)

<i>Ref.</i>	<i>Part Number</i>	<i>Qty.</i>	<i>Description</i>	<i>Ref.</i>	<i>Part Number</i>	<i>Qty.</i>	<i>Description</i>
1	139-6299	1	Kit-Seal	1:11		1	Seal-Square ●
1:9		1	Seal ●	1:12		1	Seal-Shaft ●
1:10		1	Seal-Standard ●	1:14		1	Anti Extrusion ●

● Not serviced separately

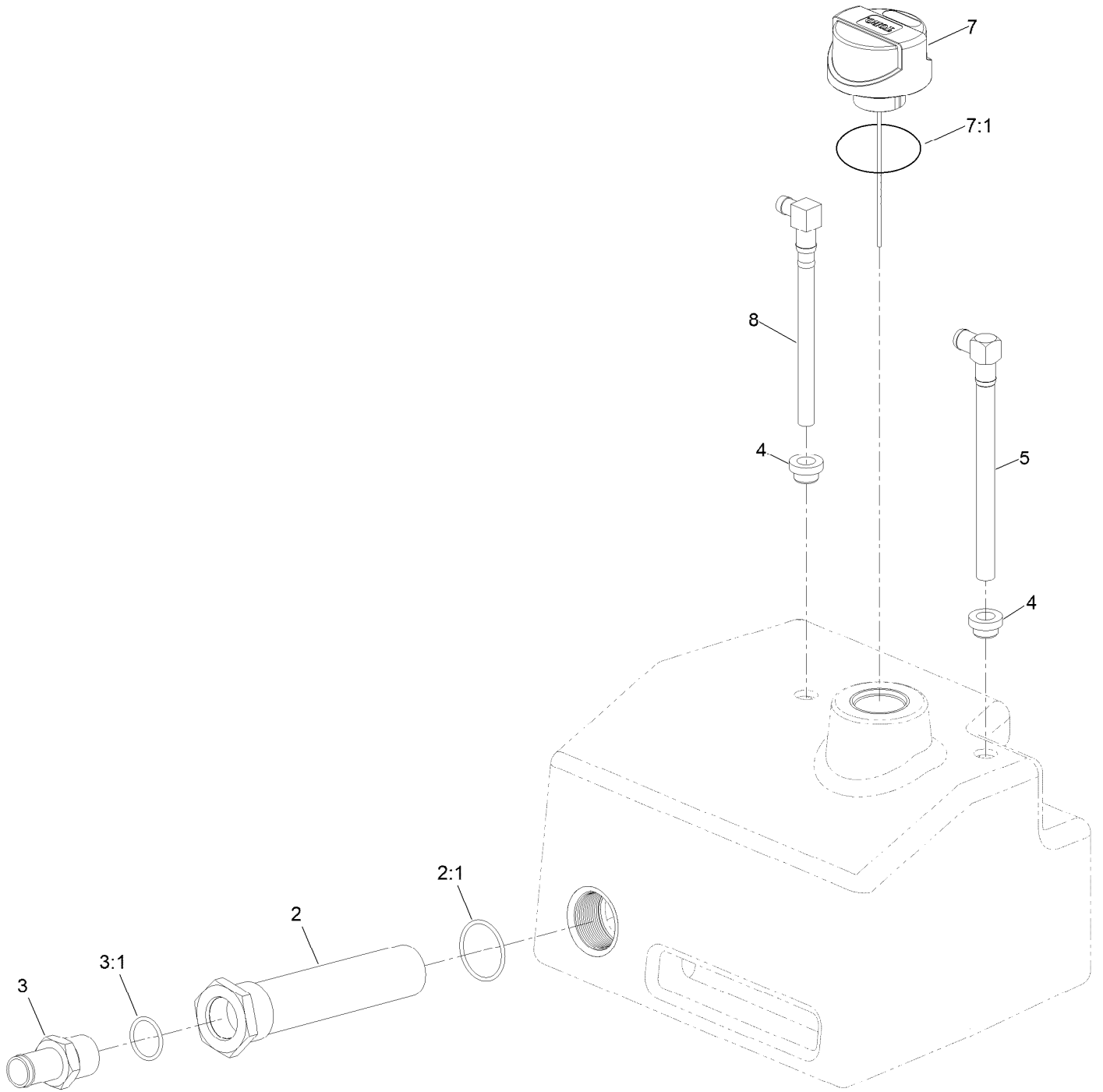
# Steering/Lift Manifold Assembly No. 145-0939



# Steering/Lift Manifold Assembly No. 145-0939 (continued)

<i>Ref.</i>	<i>Part Number</i>	<i>Qty.</i>	<i>Description</i>	<i>Ref.</i>	<i>Part Number</i>	<i>Qty.</i>	<i>Description</i>
3	105-9153	1	Element-Logic, Vented	11:2	237-42	1	O-Ring
3:1	119-2159	1	Seal Kit	12	59-7410	1	Fitting-Diagnostic
4	147-2117	1	Valve-Relief, Proportional	12:1	237-42	1	O-Ring
4:1	126-9388	1	Seal Kit	13	354-79	1	Cap-Dust
4:2	130-8180	1	Nut-Coil (9/16-24 Unef-2B)	14	109-6449	1	Fitting-Elbow, 90
5	119-4619	1	Coil-Solenoid	14:1	237-42	1	O-Ring
7	112-9206	1	Solenoid Valve ASM	15	340-1	1	Fitting-Straight
7:1	105-9156	1	Seal Kit	15:1	237-21	1	O-Ring
7:2	110-2634	1	Nut-Coil	15:2	237-42	1	O-Ring
9	110-0497	1	Coil-Solenoid	16	340-4	1	Fitting-Straight
10	139-6296	1	Orifice-Check 0.100 DIA	16:1	237-30	1	O-Ring
11	340-2	2	Fitting-Straight	16:2	237-79	1	O-Ring
11:1	237-22	1	O-Ring				

# Hydraulic Tank Assembly N0. 145-1053

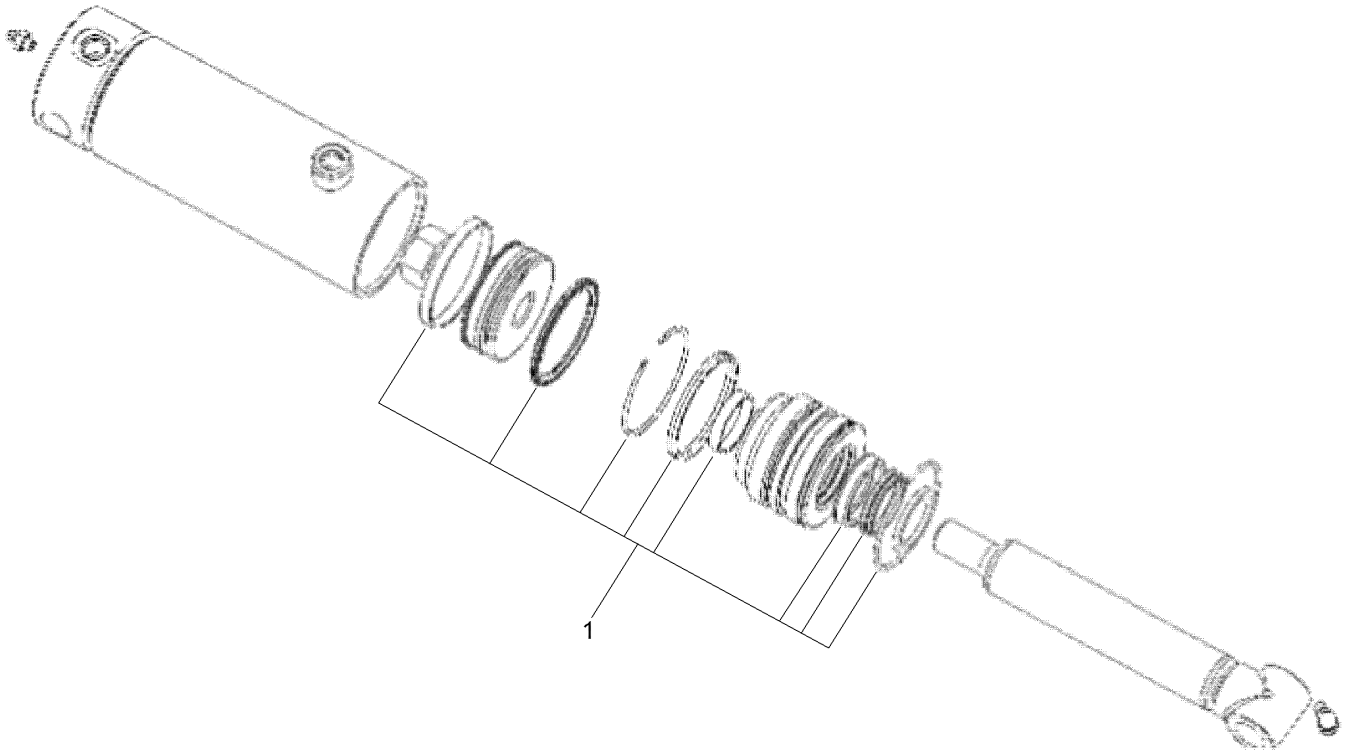




# Hydraulic Tank Assembly NO. 145-1053 (continued)

<i>Ref.</i>	<i>Part Number</i>	<i>Qty.</i>	<i>Description</i>	<i>Ref.</i>	<i>Part Number</i>	<i>Qty.</i>	<i>Description</i>
2	115-2230	1	Strainer-In Tank	5	132-1384	1	Tube-Drop
2:1	340-136	1	O-Ring	7	147-5070	1	Cap-Filler, Breather
3	354-78	1	Fitting-STR	7:1	237-101	1	O-Ring
3:1	237-146	1	O-Ring	8	104-0791	1	Pipe-Stand
4	104-0790	2	Bushing				

# Hydraulic Cylinder No. 139-0854

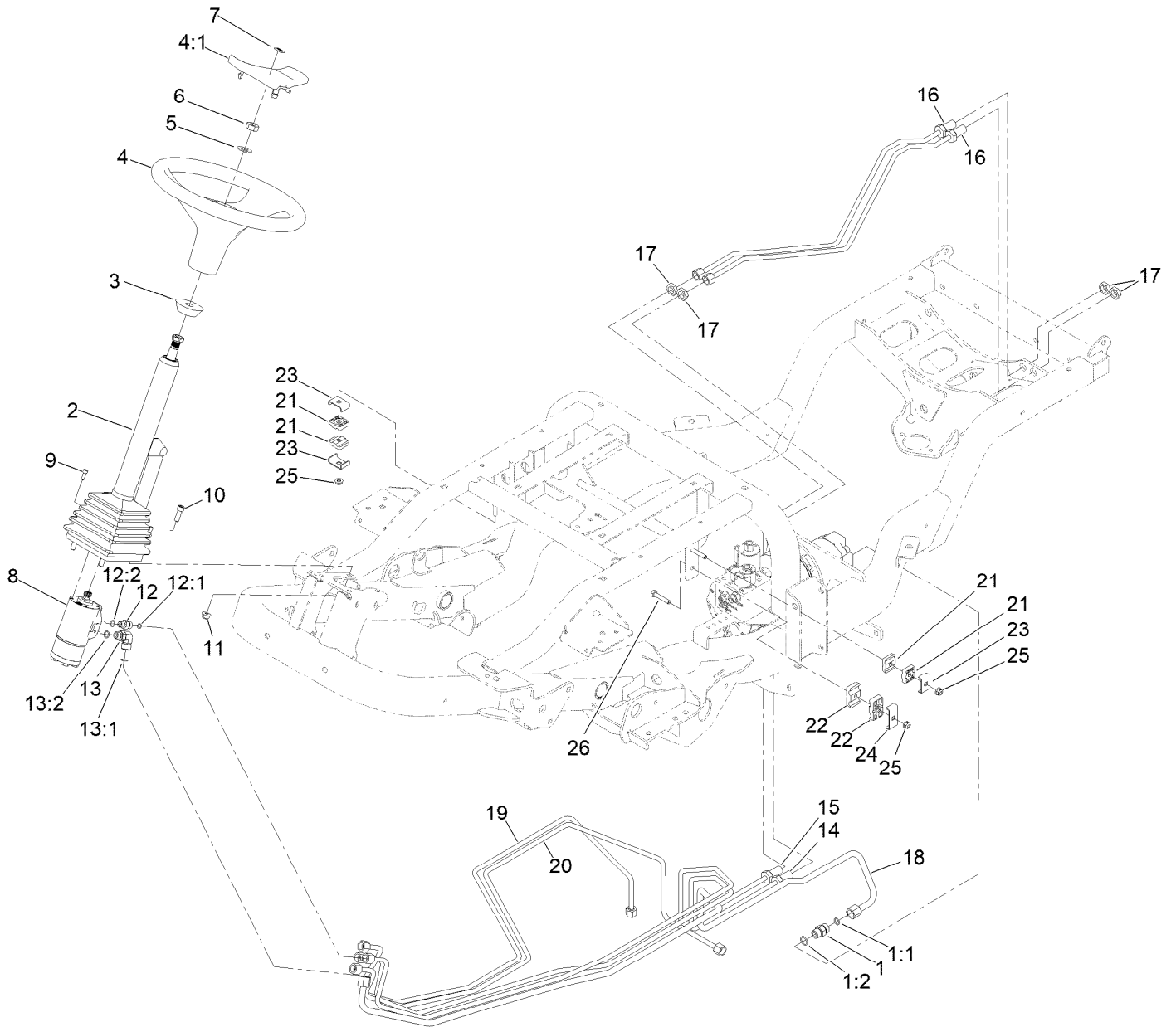


# Hydraulic Cylinder No. 139-0854 (continued)

<i>Ref.</i>	<i>Part Number</i>	<i>Qty.</i>	<i>Description</i>
1	140-3110	1	Kit-Seal ●

● Not illustrated

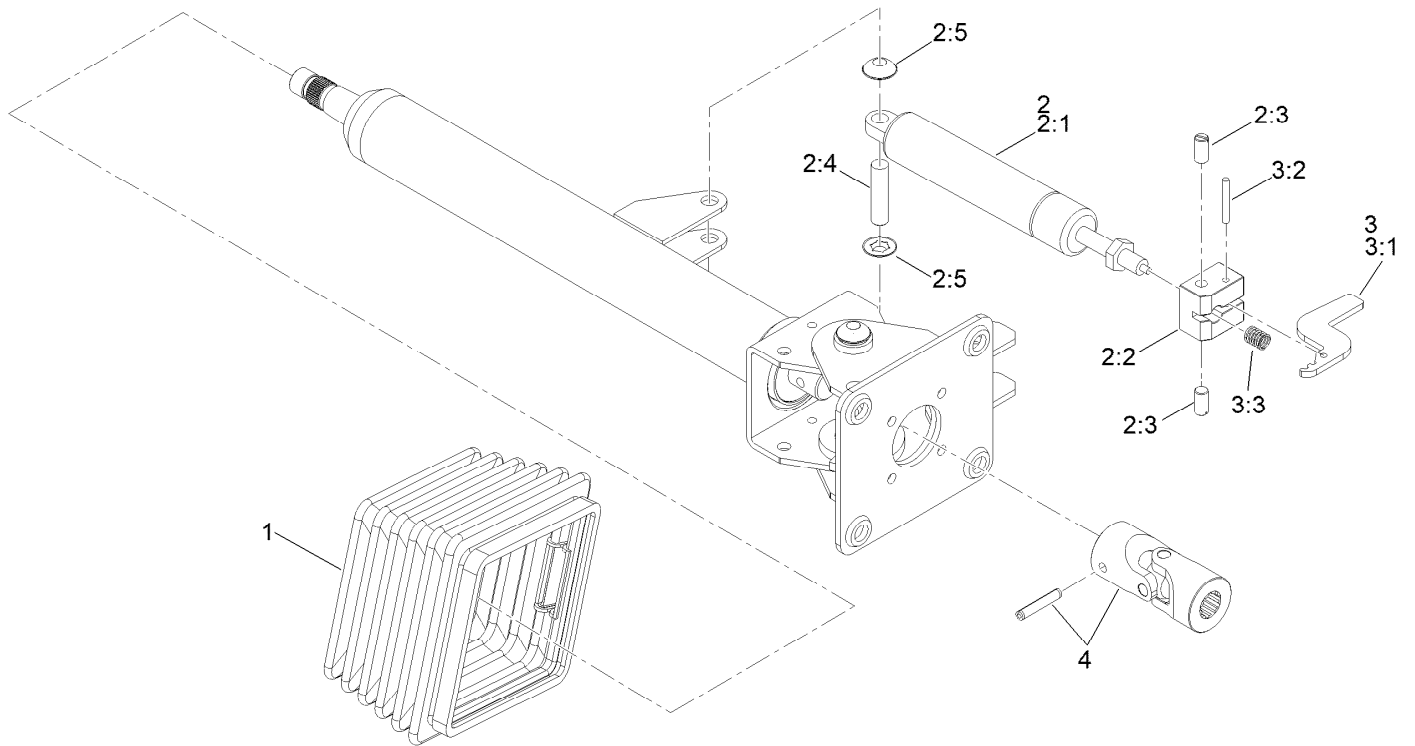
# Steering Assembly



## Steering Assembly (continued)

<i>Ref.</i>	<i>Part Number</i>	<i>Qty.</i>	<i>Description</i>	<i>Ref.</i>	<i>Part Number</i>	<i>Qty.</i>	<i>Description</i>
1	340-4	1	Fitting-Straight	13	340-99	1	Fitting-HYD, 90 DEG
1:1	237-30	1	O-Ring	13:1	237-30	1	O-Ring
1:2	237-79	1	O-Ring	13:2	237-42	1	O-Ring
2	139-0857	1	Column-Steering, Tilt	14	147-2050	1	Hydraulic Line ASM
3	93-5429	1	Collar-Foam	15	147-2052	1	Hydraulic Line ASM
4	98-1471	1	Wheel-Steering	16	147-2051	2	Hydraulic Line ASM
4:1	98-1468	1	Cover-Wheel, Steering	17	340-70	4	Nut-Lock
5	3256-27	1	Washer-Flat	18	147-2055	1	Hydraulic Line ASM
6	3296-33	1	Nut-Lock, NI	19	147-2057	1	Hydraulic Line ASM
7	98-1459	1	Decal	20	147-2058	1	Hydraulic Line ASM
8	114-8119	1	Steering Valve ASM	21	56-7973	4	Clamp-Tube
9	105-2409	4	Screw-HSH	22	56-7976	2	Clamp-Tube
10	3274-7	4	Screw-HSH	23	119-1418	3	Plate-Clamp, Short
11	104-8301	4	Nut-HF, NI	24	119-1419	1	Plate-Clamp
12	340-2	4	Fitting-Straight	25	104-8300	3	Nut-HF, NI
12:1	237-22	1	O-Ring	26	322-9	2	Screw-HH
12:2	237-42	1	O-Ring				

# Steering Column Assembly No. 139-0857

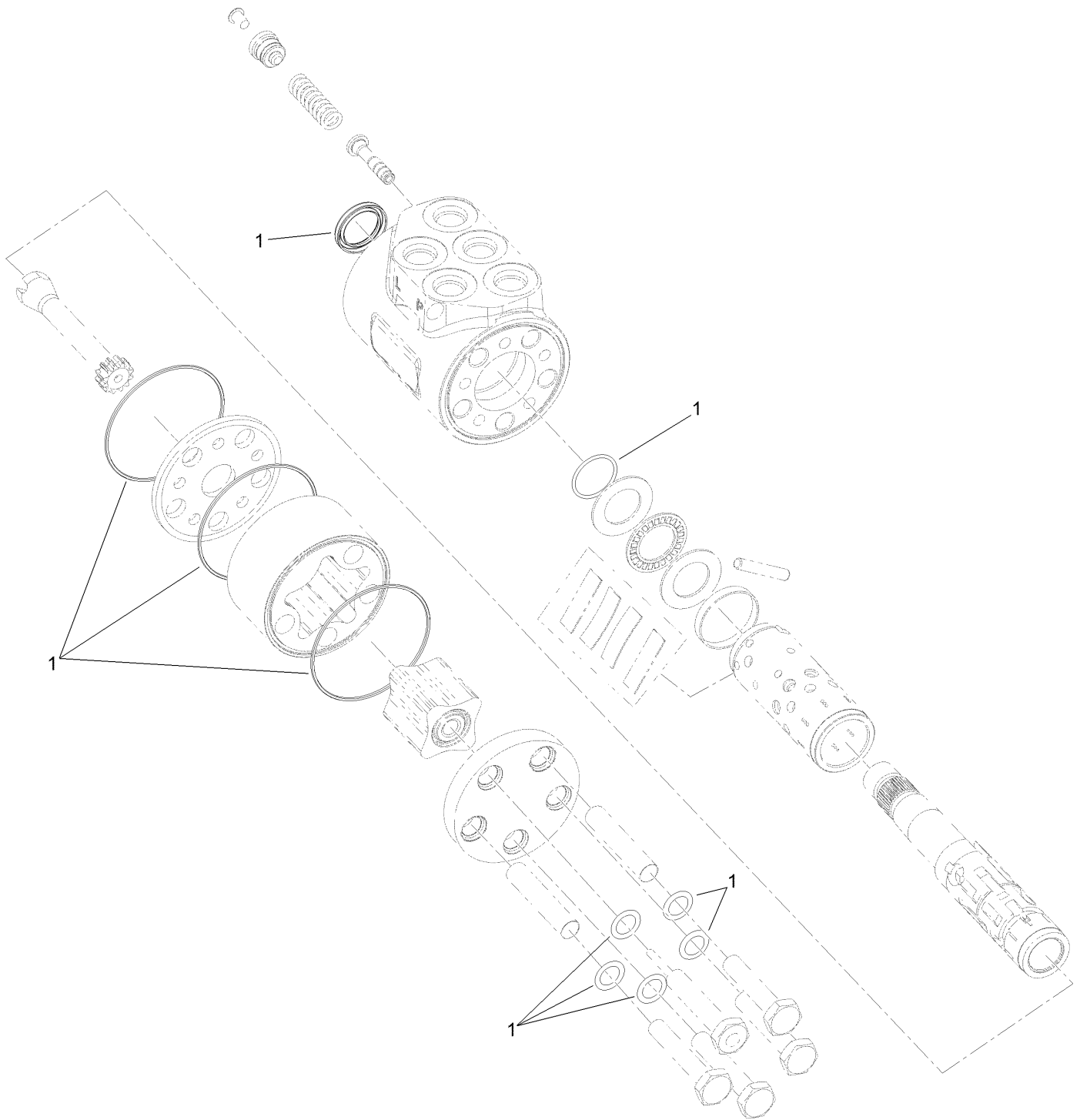


# Steering Column Assembly No. 139-0857 (continued)

<i>Ref.</i>	<i>Part Number</i>	<i>Qty.</i>	<i>Description</i>	<i>Ref.</i>	<i>Part Number</i>	<i>Qty.</i>	<i>Description</i>
1	110-6462	1	Bellows-Rubber	2:5		2	Washer-Lock ●
2	110-6463	1	Cylinder Service Kit	3	136-4385	1	Pedal Service Kit
2:1		1	Cylinder-Gas ●	3:1		1	Pedal ●
2:2		1	Block-Pedal ●	3:2		1	Pin ●
2:3		2	Bolt ●	3:3		1	Spring ●
2:4		1	Pin ●	4	120-6256	1	Universal Joint Kit

● Not serviced separately

# Steering Valve Assembly No. 114-8119





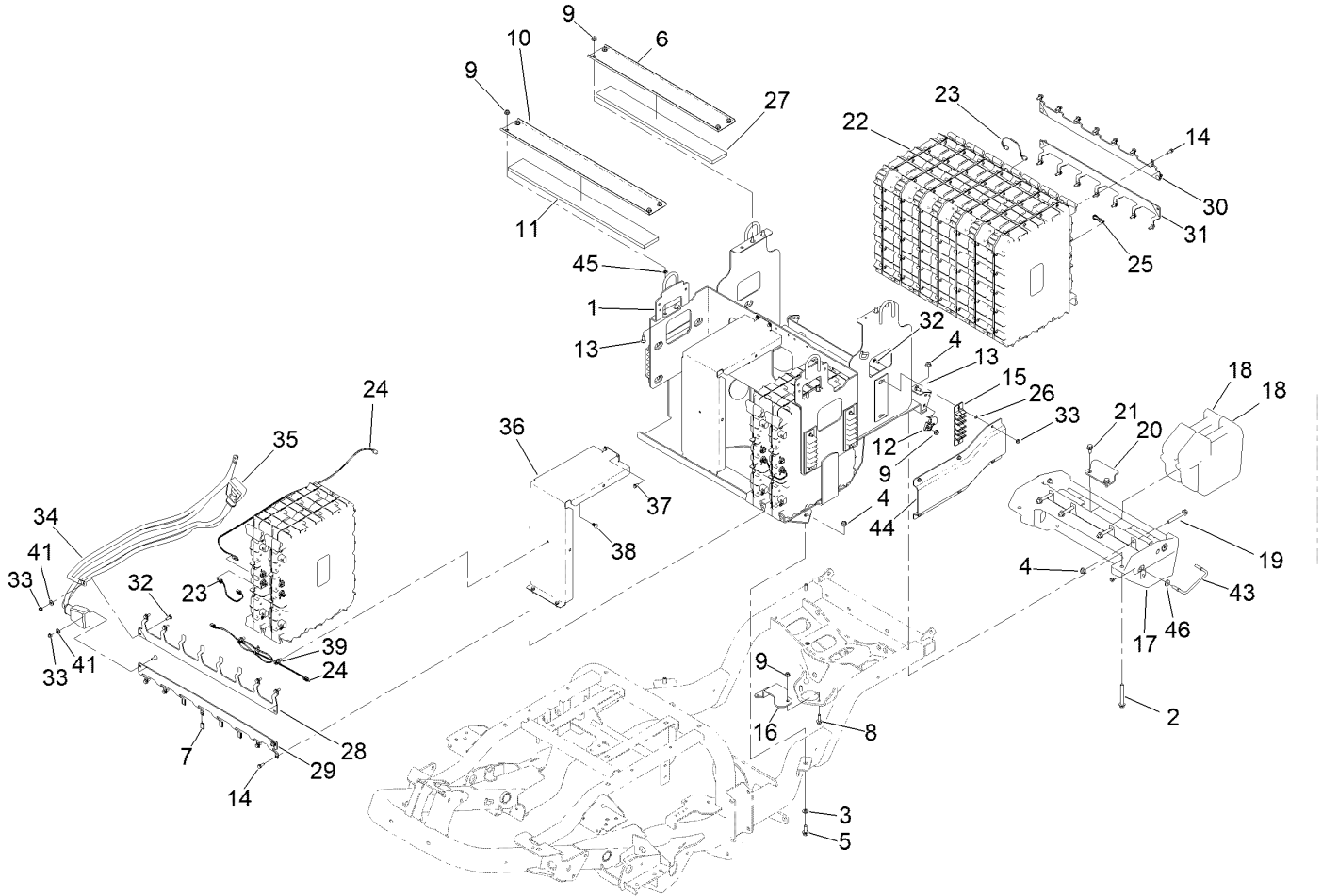
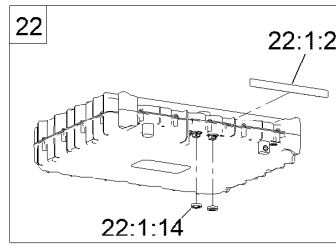
# Steering Valve Assembly No. 114-8119 (continued)

---

<i>Ref.</i>	<i>Part Number</i>	<i>Qty.</i>	<i>Description</i>
1	106-6716	1	Seal Kit

---

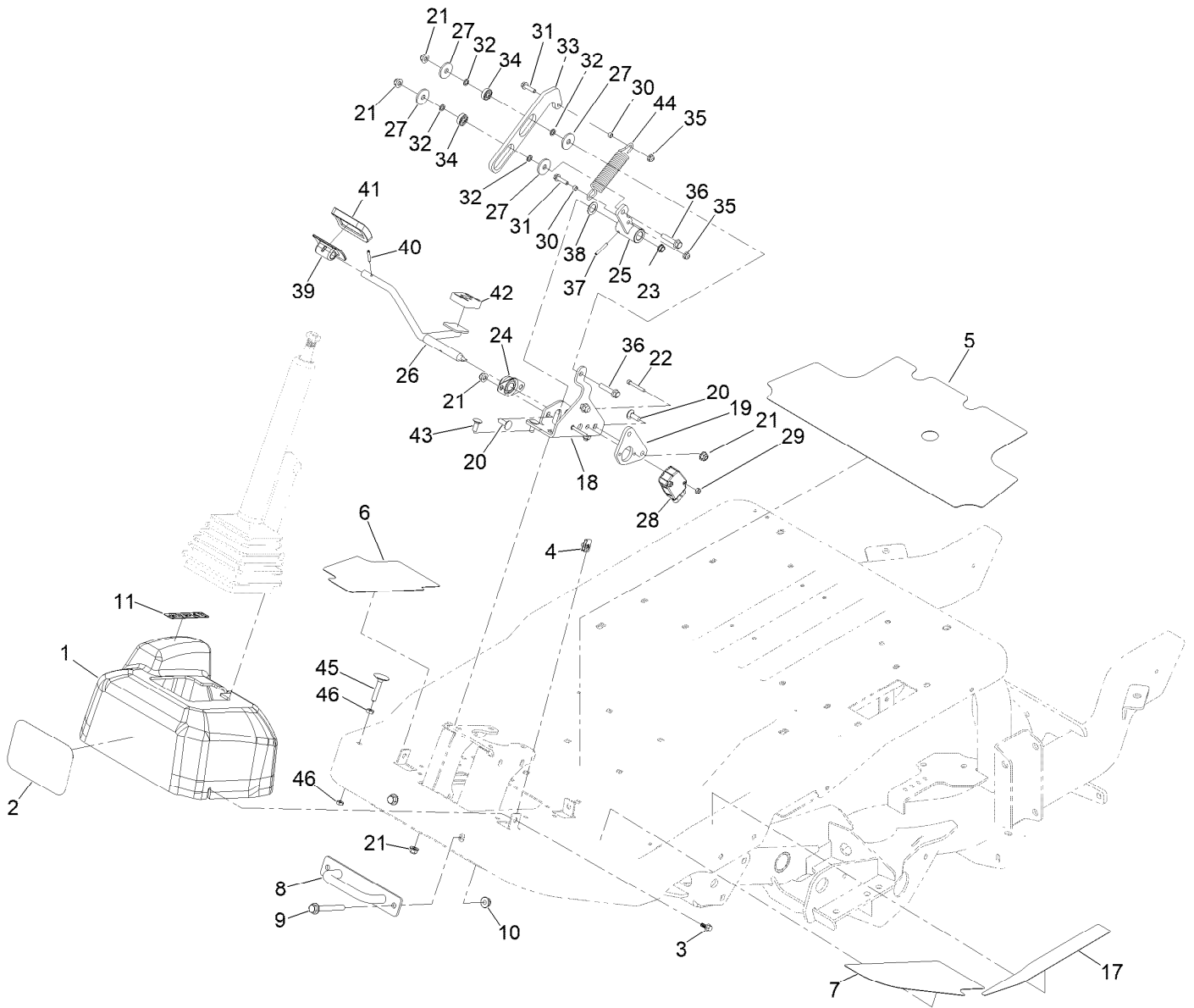
# Battery Assembly



## Battery Assembly (continued)

<i>Ref.</i>	<i>Part Number</i>	<i>Qty.</i>	<i>Description</i>	<i>Ref.</i>	<i>Part Number</i>	<i>Qty.</i>	<i>Description</i>
1	147-0105-03	1	Battery Tray Welded	23	140-9565	8	Harness-Wire, Data Interface
2	3234-41	2	Screw-HHF	24	122-2412	2	Harness-Wire,Data Interface,34.5 In
3	3256-24	2	Washer-Plain	25	122-2323	1	Harness-Wire, Can Terminator
4	104-8301	8	Nut-HF, NI	26	1-803037	12	Nut-Retaining
5	3234-42	2	Screw-HHF	27	147-5051	1	Pad-Foam, Short
6	147-2149-03	1	Channel-Support, Short	28	147-2131	1	Busbar-8, Bk
7	147-5053	8	Cap-Vinyl	29	147-2132	1	Busbar-8, Rd
8	115-5142	2	Screw-HHF, Patch	30	147-2133	1	Busbar-7, Bk
9	104-8300	16	Nut-HF, NI	31	147-2134	1	Busbar-7, Rd
10	147-2148-03	1	Channel-Support, Long	32	1-807512	18	Bolt-CARR
11	147-5050	1	Pad-Foam, Long	33	104-7201	18	Nut-HF, NI
12	145-6985	2	Mount-Cable	34	122-4038	1	Cable-Battery Bk ASM
13	3230-23	10	Bolt-CARR	35	122-4039	1	Cable-Battery Rd ASM
14	145-5783	22	Screw-Sems	36	147-5052-0P	2	Case-Battery Spacer
15	147-0197	6	Guide-Cable	37	32144-4	8	Screw-HWH
16	145-0977-03	1	Bracket-Support	38	133-0875	2	Rivet-Push
17	147-3589SP	1	Bumper, Rear (Machining)	39	32180-030	2	Clip-Tie
18	114-4096	2	Weight	41	3256-2	6	Washer-Flat
19	139-2429	4	Screw-HHF	43	161-2491	2	Guide-Hose
20	161-8910	3	Bracket-Weight Retainer	44	147-0198	2	Cover-Cable
21	3234-1	6	Screw-HHF	45	109-5667	8	Nut-Push
22	145-5320	11	Battery ASM	46	88-7200	4	Washer-Flat
22:1:2	145-5338	1	Decal-Warning, Battery				
22:1:14	32180-466	2	Nut-Mounting, Jwpf Panel Lock				

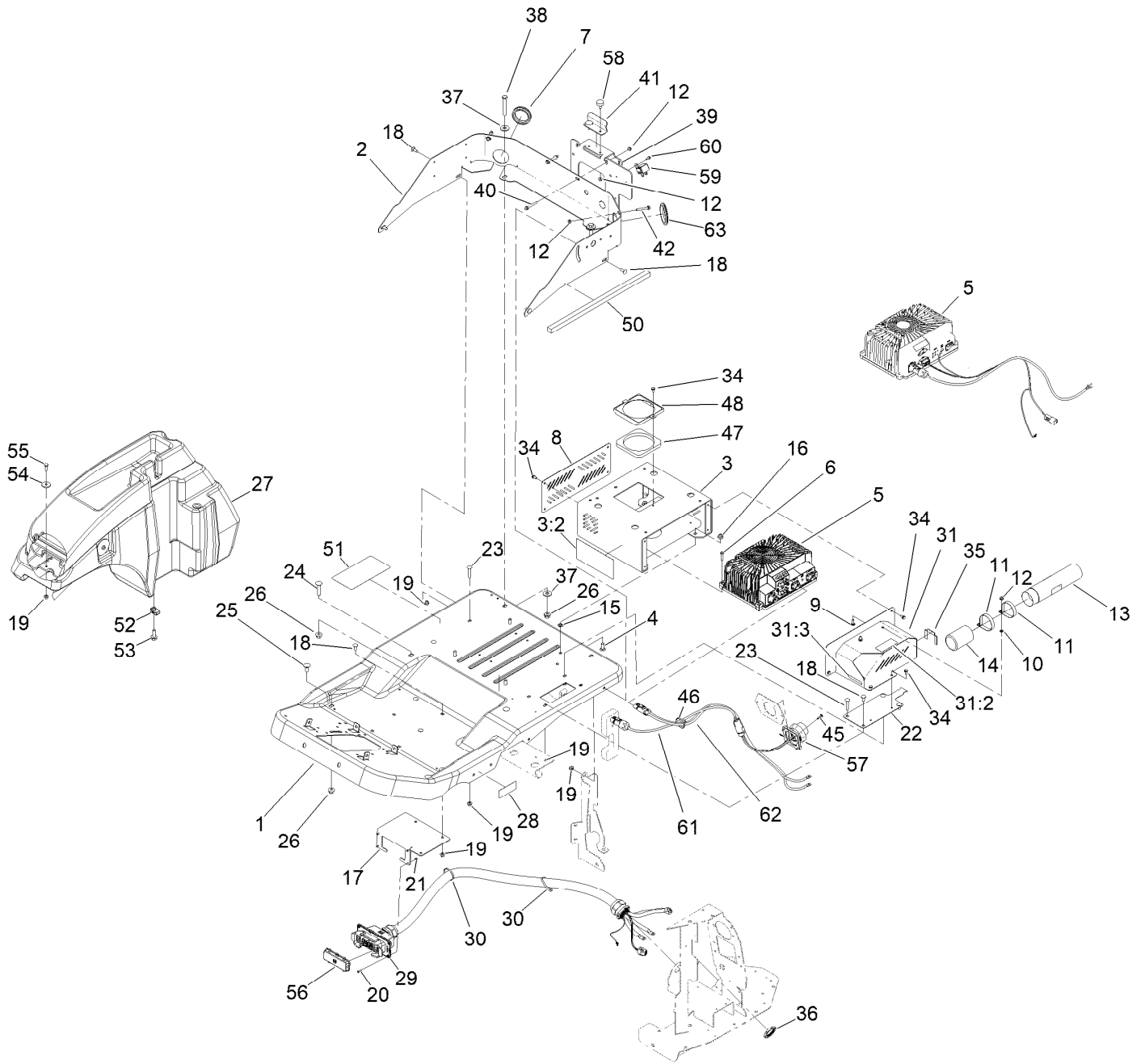
# Pedal Assembly



## Pedal Assembly (continued)

<i>Ref.</i>	<i>Part Number</i>	<i>Qty.</i>	<i>Description</i>	<i>Ref.</i>	<i>Part Number</i>	<i>Qty.</i>	<i>Description</i>
1	145-1079	1	Cover-Steering	27	107675	4	Washer
2	105-1217	1	Decal	28	122-0917	1	Sensor-Position
3	99-6810	4	Screw-HHF	29	3296-2	2	Nut-Lock, NI
4	107069	4	Clip	30	121-2015	2	Spacer
5	147-5071	1	Tread-Foot, Main	31	120-4654	2	Screw-HHF
6	139-0885	1	Tread-Foot, Front RH	32	75-5470	4	Spacer-Bearing
7	139-0886	1	Tread-Foot, Front LH	33	145-1063	1	Link-Connecting
8	138-0288	1	Bracket-Down, Tie	34	251-259	2	Bearing-Ball
9	3234-41	2	Screw-HHF	35	104-7201	2	Nut-HF, NI
10	104-8301	2	Nut-HF, NI	36	115-1794	2	Screw-HHF
11	140-1460	1	Decal-Traction Pedal	37	32121-6	1	Pin-Roll, Slotted
17	139-0859	1	Tread-Foot, Side	38	137-2601	1	Washer
18	145-0958-01	1	Bracket-Traction Pedal	39	117-9507	1	Pedal-Accelerator
19	145-0959-03	1	Shim	40	32121-45	1	Pin-Spring
20	3230-10	4	Bolt-CARR	41	74-9100	1	Pad-Pedal, Forward
21	104-8300	10	Nut-HF, NI	42	74-9110	1	Pad-Pedal, Reverse
22	3274-59	2	Screw-HSH	43	3230-23	4	Bolt-CARR
23	139-1525	1	Bushing-Flanged Nylon	44	137-7944	1	Spring-Extension
24	256-236	1	Bearing-Mount, Flange	45	115-8240	1	Screw-Elevator
25	145-0957-03	1	Hub-Traction Pedal [black]	46	3218-2	2	Nut-Hex Jam
26	145-0953	1	Traction Pedal				

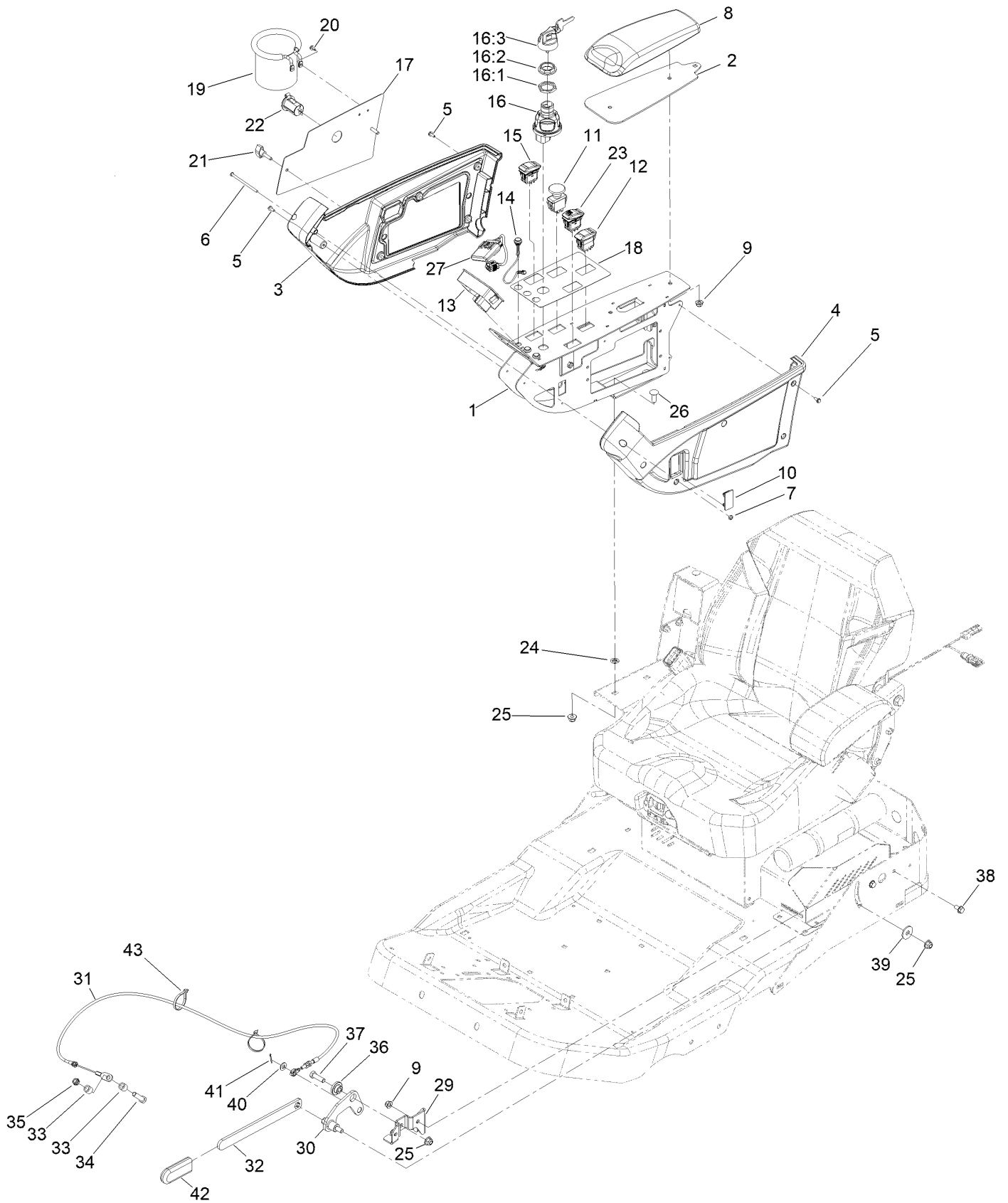
# Platform Assembly



## Platform Assembly (continued)

<i>Ref.</i>	<i>Part Number</i>	<i>Qty.</i>	<i>Description</i>	<i>Ref.</i>	<i>Part Number</i>	<i>Qty.</i>	<i>Description</i>
1	144-4030-01	1	Platform-Stamped	31	161-7642	1	Cover ASM
2	161-5134-03	1	Shield-Platform, Rear	31:2	161-2468	1	Decal-Release, Brake
3	147-5144	1	Seat Base ASM	31:3	133-8061	1	Decal-Warning
3:2	139-6215	1	Decal-Warning	34	32144-4	9	Screw-HWH
4	3231-22	4	Screw-CARR	35	147-5147	3	Trim
5	145-5070	1	Charger-Onboard,3.3Kw,Evse Capable	36	32180-563	1	Nut - Locknut, M40X1.5
6	132-6777	4	Screw-Twh Thd Roll	37	3256-40	4	Washer-Flat
7	240-12	1	Grommet-Rubber	38	324-12	2	Screw-HH
8	147-5139-01	1	Plate-Cover, RH	39	161-2489-03	1	Mount-Controller
9	1-807512	2	Bolt-CARR	40	3234-34	2	Screw-HHF
10	104-8310	2	Ring-Retaining	41	161-7680	1	Shield-Hood
11	107-1865	2	R-Clamp	42	125-4287	2	Screw-HHF
12	104-7201	8	Nut-HF, NI	45	100-4351	4	Screw-HWH
13	104-7050	1	Tube-Manual	46	3290-378	1	Tie-Cable
14	104-7048	1	Cap-Housing	47	161-2462	1	Foam-Baffle
15	107-3154	4	Nut-Push	48	161-2460-0P	1	Baffle ASM, Welded
16	104-8301	4	Nut-HF, NI	50	139-6207	1	Foam-Strip
17	147-2073-0P	1	Brkt-Connector	51	161-5125	1	Decal-Service, Gm E3300
18	3230-23	9	Bolt-CARR	52	140-1146	1	Nut-Clip, U
19	104-8300	14	Nut-HF, NI	53	33105-030	1	Screw-HHF
20	119-7444	4	Screw-HSBH	54	105-3048	1	Washer-Flat
21	140-3749	4	Nut-Lock Rohs	55	322-5	1	Screw-HH
22	147-2096-01	1	Plate-Cover	56	32180-636	1	Cover-Harting, Han 24B, Plastic
23	116-0629	4	Screw-CARR	57	122-4099	1	Harness-Wire, Inlet, 60309
24	3232-5	2	Screw-CARR	58	138-2662	2	Bumper-Rubber
25	3232-1	2	Screw-CARR	59	122-3199	1	Relay - Dg57CM
26	114-8417	6	Nut-HF, NI	60	32144-1	1	Screw-Taptite
27	147-2093	1	Storage Bin ASM	61	122-3467	1	Harness-Wire, AC Inlet
28	106-9206	2	Decal-Torque, Wheel	62	122-3468	1	Harness-Wire, DC Aux
29	122-2784	1	Harness-Wire, Machine	63	237-164	1	Grommet
30	3290-379	2	Tie-Cable				

# Control Console Assembly

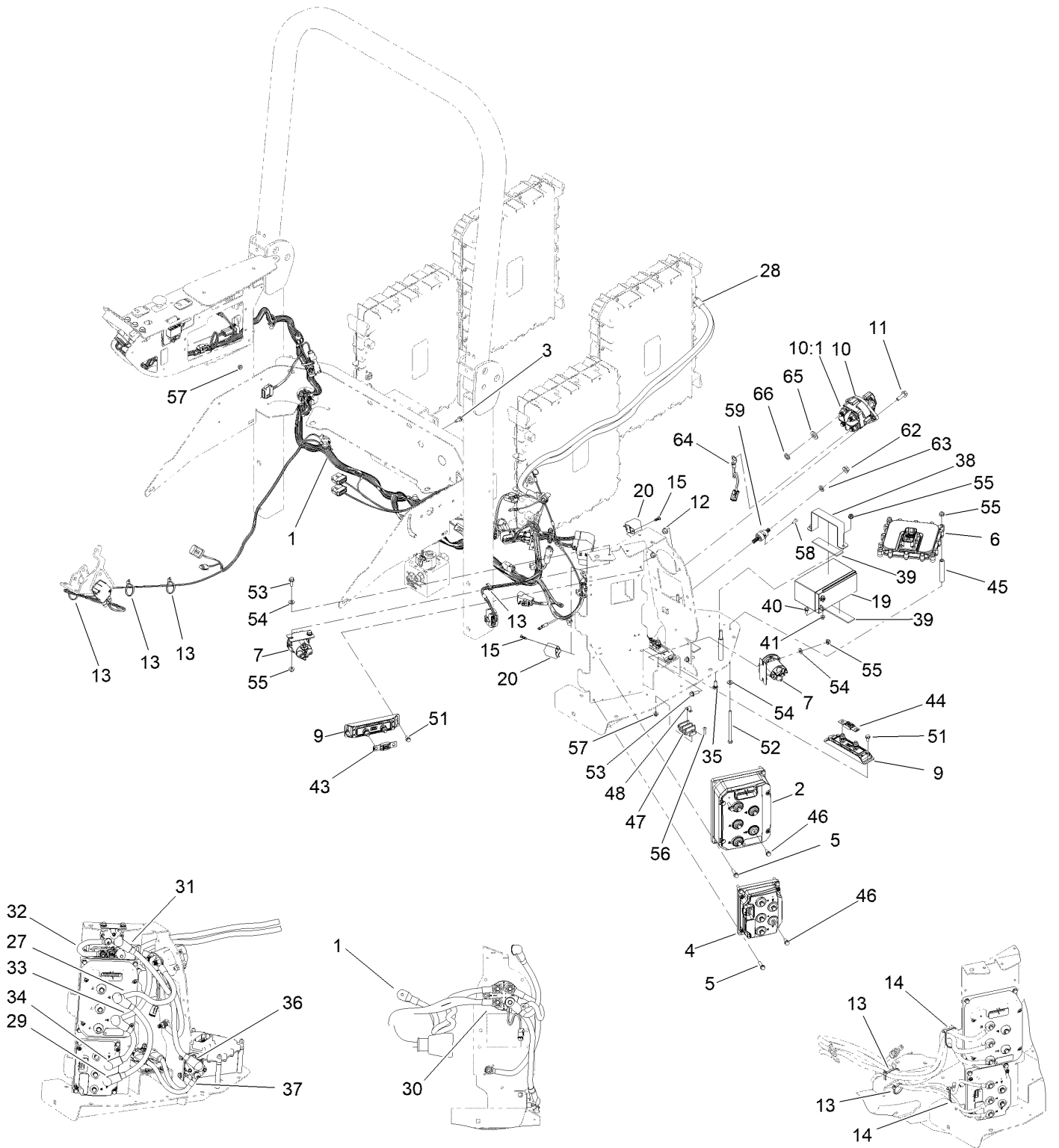




## Control Console Assembly (continued)

<i>Ref.</i>	<i>Part Number</i>	<i>Qty.</i>	<i>Description</i>	<i>Ref.</i>	<i>Part Number</i>	<i>Qty.</i>	<i>Description</i>
1	145-1040-03	1	Panel ASM, Welded	21	126-5846	2	Knob-T
2	138-4548-03	1	Plate-Spacer, Console Pad	22	140-7955	1	Port-Power, USB
3	108-7605	1	Cover-RH	23	122-3518	1	Switch-Rocker, On-None-On
4	108-7604	1	Cover-LH	24	107-3154	2	Nut-Push
5	32144-112	10	Screw-HWH	25	104-8301	4	Nut-HF, NI
6	3250-22	1	Screw-PPH	26	3231-22	2	Screw-CARR
7	3296-12	1	Nut-Lock, NI	27	119-4330	1	Isolated Can Module ASM
8	131-9637	1	Armrest-Quick Find	29	161-7620-03	1	Bracket-Cable, Release
9	104-8300	4	Nut-HF, NI	30	161-7621-03	1	Lever ASM, Release
10	99-7420	1	Plug-Hole	31	161-2467	1	Cable-Release, Brake
11	93-9999	1	Switch-PTO	32	161-7627-0P	1	Lever-Extension, Release
12	122-0304	1	Switch-Rocker, (On)-Off-(On)	33	93-9847	2	Spacer
13	122-1201	1	Module-Display	34	323-8	1	Screw-HH
14	136-9678	3	Switch-Pushbutton	35	121-4600	1	Nut-Hex
15	122-2854	1	Switch-Rocker, On-On-(On)	36	126-5989	1	Pivot-Flange
16	122-2513	1	Switch-Ignition, Suns	37	323-7	1	Screw-HH
16:1	121-5160	1	Nut-Hex	38	3234-7	2	Screw-HHF
16:2	122-2704	1	Nut-Face, M22 (Plastic)	39	93-8806	1	Washer-Hardened
16:3	121-5162	1	Set-Key, Ignition	40	107-0279	1	Washer
17	147-2144-03	1	Cover ASM, Welded	41	3272-4	1	Pin-Cotter
18	147-2074	1	Decal-Console	42	119-1846	1	Grip
19	161-8355	1	Cup Holder ASM	43	3290-378	2	Tie-Cable
20	104-2065	2	Screw-HWH				

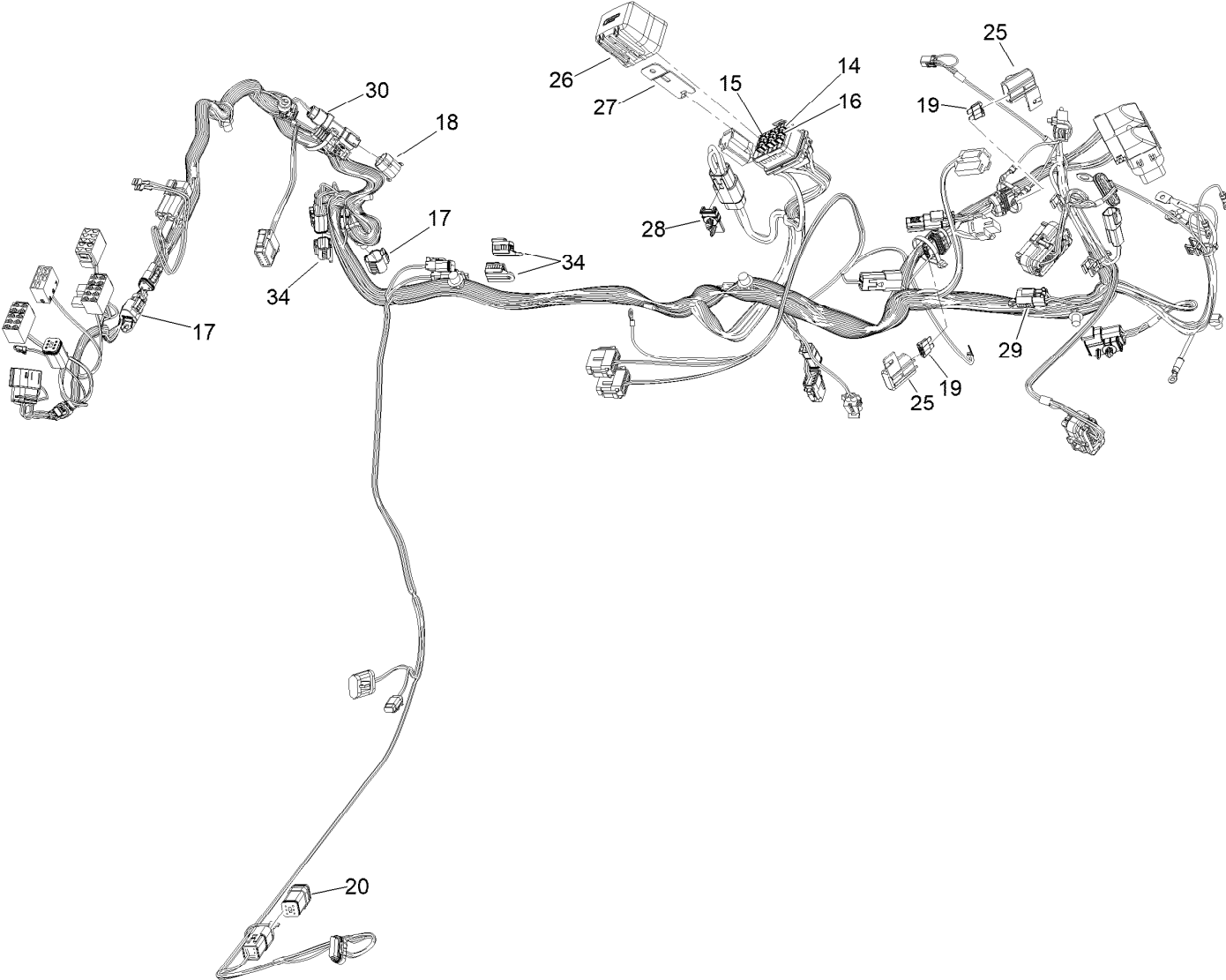
# Electrical Assembly



## Electrical Assembly (continued)

<i>Ref.</i>	<i>Part Number</i>	<i>Qty.</i>	<i>Description</i>	<i>Ref.</i>	<i>Part Number</i>	<i>Qty.</i>	<i>Description</i>
1	122-3460	1	Harness-Wire, Main Gme3300	36	122-2697	1	Cable-Battery, Rd ASM
2	147-5068	1	Inv/Ctrlr-48V	37	122-2699	1	Cable-Battery, Rd ASM
3	32144-10	1	Screw-HWH	38	161-5066-0P	1	Strap-Battery
4	145-7270	1	Inv/Ctrlr-48V	39	161-5069	3	Strip-Foam
5	32144-86	8	Screw-HWHTF	40	120-4579	2	Screw-HHF
6	122-2498	1	Controller	41	120-4580	2	Nut-HF
7	145-3542	2	Contactora-DC, 12V	43	122-2561	1	Fuse-200A
9	145-4958	3	Holder-Fuse	44	122-2559	2	Fuse-100 Amp
10	122-0603	1	Switch-Disconnect	45	161-5067	4	Spacer
10:1	33006-00	1	Nut-HF	46	145-5782	10	Screw-Sems
11	3234-29	2	Screw-HHF	47	42862	1	Block-Terminal, Ground
12	104-8300	2	Nut-HF, NI	48	42863	1	Strip-Jumper
13	3290-378	6	Tie-Cable	51	32144-4	6	Screw-HWH
14	3290-379	2	Tie-Cable	52	321-24	4	Screw-HH
15	120-6737	2	Plug-Plastic	53	120-9678	4	Screw-HHF
19	112-9621	1	Battery-Wet, 12V 9Ah, Sealed W/Hrdwr	54	3256-22	8	Washer-Flat
20	122-3199	2	Relay - Dg57CM	55	119-4040	10	Nut-HF, NI
27	122-2903	1	Cable-Battery, Bk ASM	56	104-2408	2	Screw-HSBH
28	122-4037	1	Cable-Battery Bk ASM	57	138-0719	2	Nut-HF
29	122-2690	1	Cable-Battery, Bk ASM	58	105-6849	2	Screw-Forming, Thread
30	122-2956	1	Cable-Battery, Rd ASM	59	122-2411	1	Block-Junction, Black
31	122-2692	1	Cable-Battery, Rd ASM	62	3290-357	2	Nut-HSF
32	122-2693	1	Cable-Battery, Rd ASM	63	3253-21	2	Washer-Lock
33	122-2694	1	Cable-Battery, Rd ASM	64	122-3326	1	Harness-Wire, Battery Disconnect
34	122-2695	1	Cable-Battery, Rd ASM	65	147-3238	4	Washer-Flat
35	1-807512	2	Bolt-CARR	66	HDW14457	4	Split Lock Washer, 1/2, ST/ST, 18-8

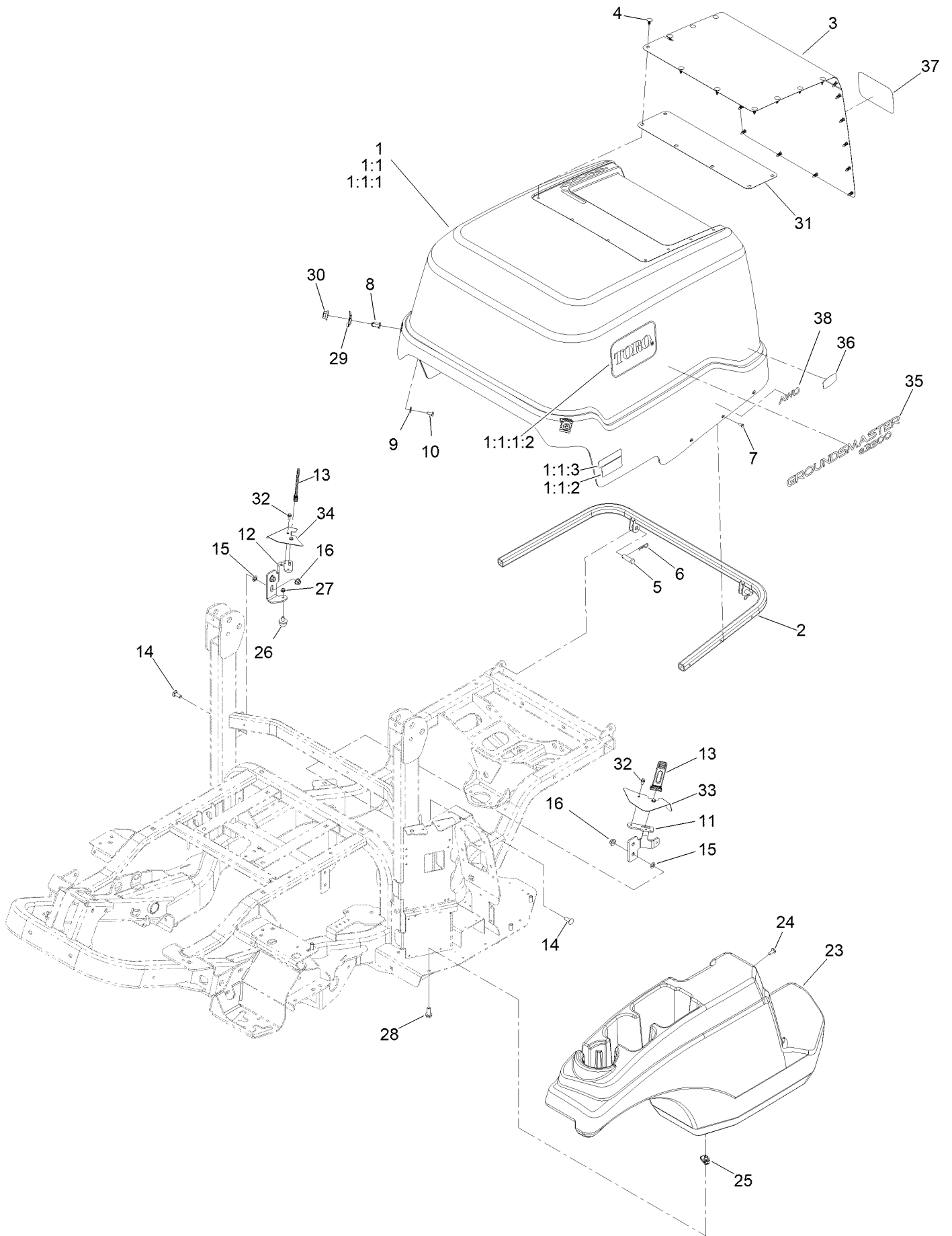
# Wire Harness Assembly No. 122-3460



## Wire Harness Assembly No. 122-3460 (continued)

<i>Ref.</i>	<i>Part Number</i>	<i>Qty.</i>	<i>Description</i>	<i>Ref.</i>	<i>Part Number</i>	<i>Qty.</i>	<i>Description</i>
14	121-8861	1	Fuse-Mini Blade, 2 Amp	25	32180-567	2	Cover-Aptiv, Modified
15	121-8865	7	Fuse-Mini Blade, 7.5 Amp	26	32180-176	1	Cover-Block, Fuse
16	121-8866	1	Fuse-Mini Blade, 10 Amp	27	32180-177	1	Clip-Mounting
17	32180-089	2	Cap-Plug, 3 Way	28	32180-103	1	Clip-Connector
18	32180-056	1	Cap	29	32180-260	2	Cap-Deutsch, Dust, 4 Way
19	117-4724	2	Fuse-Blade, 10A	30	32180-199	1	Backshell-Harnessflex, Straight
20	122-1131	1	Capacitor-Sealed	34	32180-091	2	Cap-Dust, 2 Way

# Hood Assembly

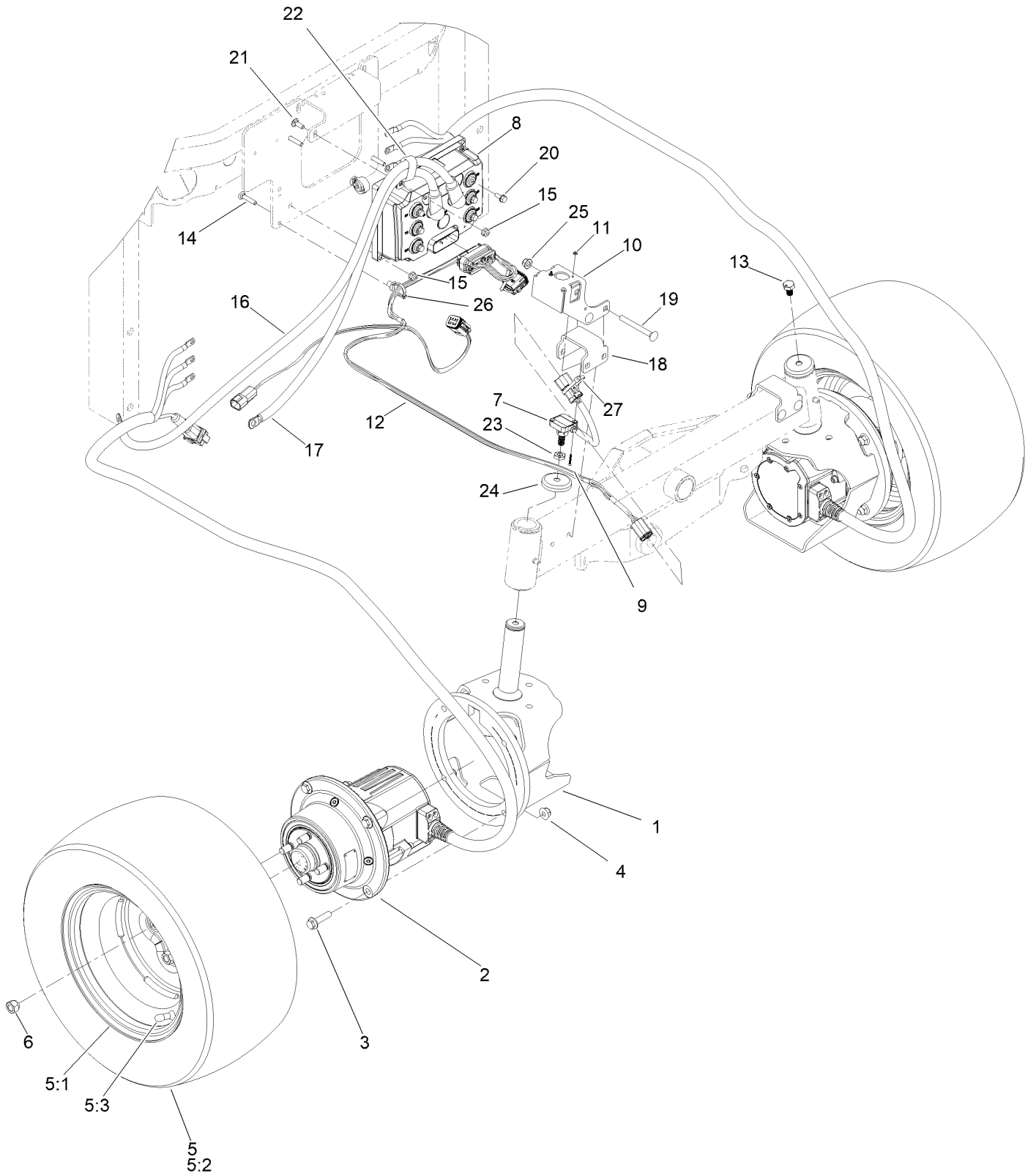


## Hood Assembly (continued)

<i>Ref.</i>	<i>Part Number</i>	<i>Qty.</i>	<i>Description</i>	<i>Ref.</i>	<i>Part Number</i>	<i>Qty.</i>	<i>Description</i>
1	147-5081SP	1	Hood ASM W/Decals	15	107-3154	4	Nut-Push
1:1		1	Hood ASM W/Decals ●	16	104-8301	4	Nut-HF, NI
1:1:1		1	Hood ASM ●	23	147-2060	1	Cover, LH
1:1:1:2	62-7400	2	Decal-Toro Logo	24	138-9753	4	Screw
1:1:2	161-2443	1	Decal-Charging	25	140-1146	4	Nut-Clip, U
1:1:3	144-7008	1	Decal-Service, Shut-Off	26	109-2365	1	Bumper-Rubber
2	138-7331-03	1	Support-Hood	27	104-7201	1	Nut-HF, NI
3	161-0814-03	1	Cover-Hood	28	33105-030	4	Screw-HHF
4	117-2382	24	Plug-Plastic	29	147-5114	2	Shield-Strap, Hood
5	283-68	2	Pin-Clevis	30	32128-56	2	Nut-HF
6	3290-467	2	Pin-Hair	31	161-0811-03	1	Plate-Cover
7	114439	10	Rivet-Blind	32	32144-4	4	Screw-HWH
8	147-5113	2	Hub-Strap, Hood	33	161-2433-03	1	Shield-Hood, LH
9	3256-78	2	Washer-Flat	34	161-2434-03	1	Shield-Hood, RH
10	137-3014	2	Screw-HH Lock	35	161-5089	2	Decal-Hood, E3300
11	147-5111-03	1	Bracket-Hood, LH	36	119-7580	2	Decal-Smart, Energy
12	147-5112-03	1	Bracket-Hood, RH	37	99-4693	1	Decal
13	131-8402	2	Strap-Down, Hold	38	161-5126	2	Decal-Awd
14	3231-22	4	Screw-CARR				

● Not serviced separately

# 4WD Assembly

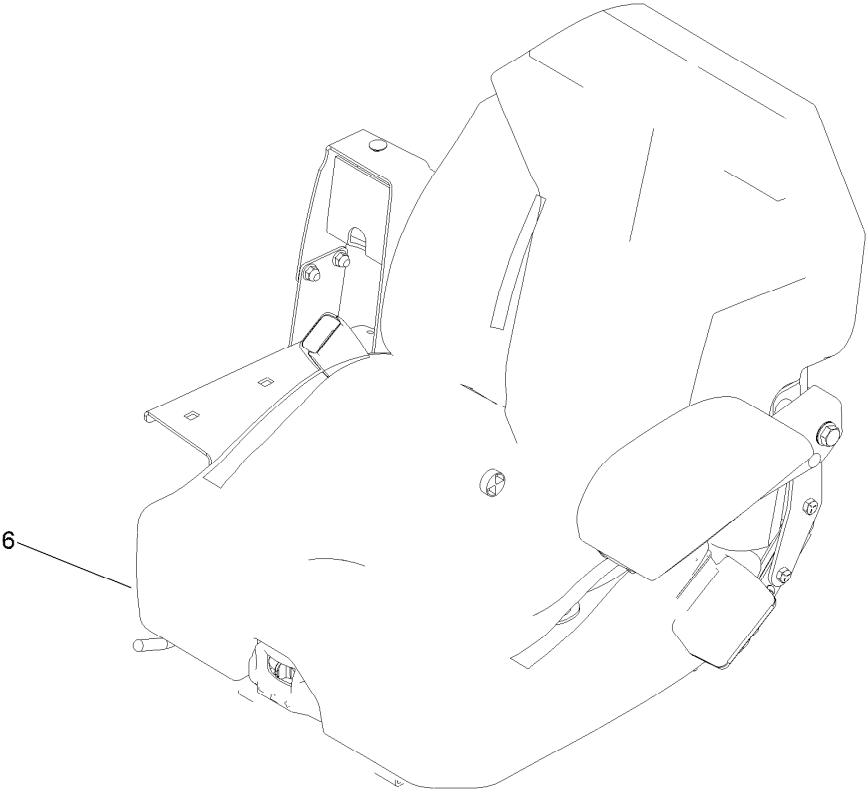
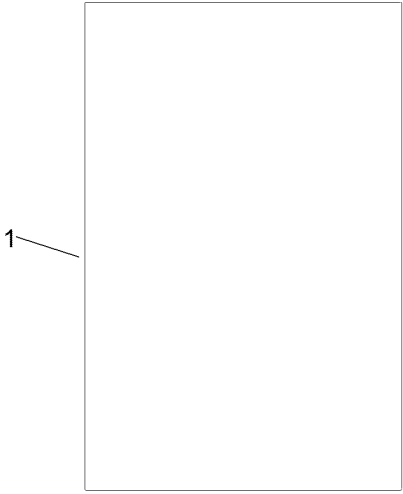




## 4WD Assembly (continued)

<i>Ref.</i>	<i>Part Number</i>	<i>Qty.</i>	<i>Description</i>	<i>Ref.</i>	<i>Part Number</i>	<i>Qty.</i>	<i>Description</i>
1	147-5110-03	2	Motor Spindle ASM [black]	11	3296-52	2	Nut-Lock, NI
2	161-0850	2	Motor/Gearbox ASM-48V, 1.5Kw, 24:1	12	122-3461	1	Harness-Wire, 4Wd
3	3234-18	8	Screw-HHF	13	138-6279	1	Screw-Cap, HH
4	104-8301	8	Nut-HF, NI	14	3229-3	4	Screw-CARR
5	161-0888	2	ASM-Tire And Wheel 18X10.5-10	15	119-4040	5	Nut-HF, NI
5:1	161-0889	1	ASM-Wheel 10X6	16	122-3471	1	Cable-Battery, Rd ASM
5:2	105-1945	1	Tire	17	122-3472	1	Cable-Battery, Bk ASM
5:3	232-27	1	Stem-Valve	18	161-5078-03	2	Bracket-Axle Stop
6	242-35	8	Nut-Wheel	19	3230-26	4	Screw-CARR
7	122-0914	1	Sensor-Rotary, Body/Magnet Matched Set	20	145-5782	8	Screw-Sems
8	138-8984	1	Inv/Ctrlr-48V,Dual 94Arms	21	3229-1	1	Screw-CARR
9	140-8959	2	Screw-Fht	22	120-1959	1	Clamp
10	147-5105-03	1	Bracket-Sensor	23	112-8617	1	Nut-Hex
				24	161-5084	2	Cap-Spindle
				25	104-8300	4	Nut-HF, NI
				26	32180-030	2	Clip-Tie
				27	3290-378	1	Tie-Cable

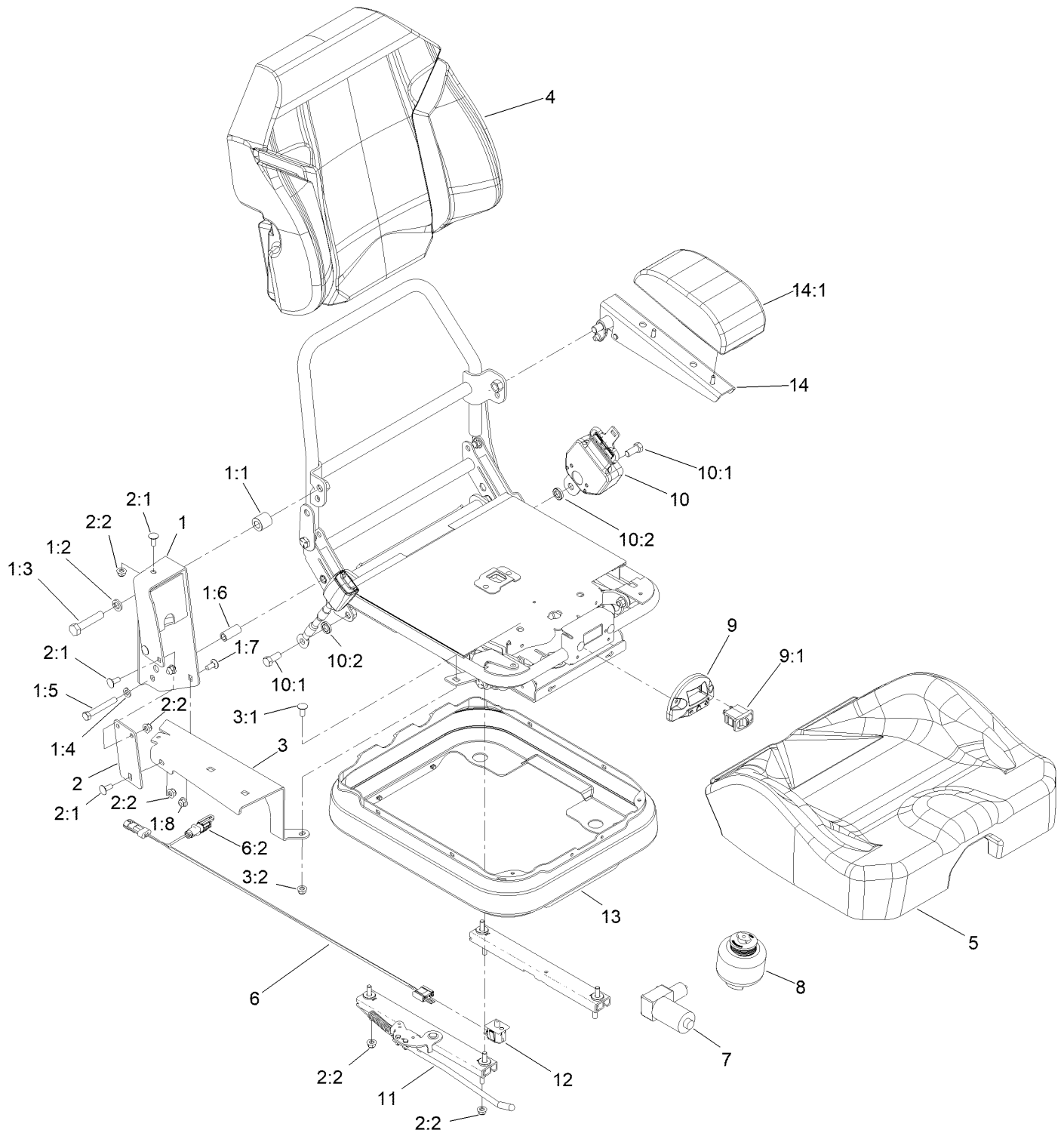
# Miscellaneous Parts Assembly



## Miscellaneous Parts Assembly (continued)

<i>Ref.</i>	<i>Part Number</i>	<i>Qty.</i>	<i>Description</i>
1	144-3952	1	Decal-Slope
6	161-0807	1	Seat ASM-Air Ride

# Air Ride Suspension Seat Assembly No. 161-0807



# Air Ride Suspension Seat Assembly No. 161-0807 (continued)

<i>Ref.</i>	<i>Part Number</i>	<i>Qty.</i>	<i>Description</i>	<i>Ref.</i>	<i>Part Number</i>	<i>Qty.</i>	<i>Description</i>
1	140-7112	1	Upper Console Mount Kit	5	125-3111	1	Cover-Cushion
1:1	140-7113	1	Spacer	6	122-2735	1	Harness-Wire, Seat
1:2	3253-7	1	Washer-Lock	6:2	32180-091	1	Cap-Dust, 2 Way
1:3	325-10	1	Screw-HH	7	140-7120	1	Air Compressor Kit
1:4	3253-21	1	Washer-Lock	8	140-7121	1	Air Bag Kit
1:5	323-13	1	Screw-HH	9	140-7122	1	Air Valve Kit
1:6	140-7114	1	Spacer	9:1	126-2747	1	Valve-Air Adjust
1:7	3230-23	2	Bolt-CARR	10	140-7116	1	Seat Belt Kit
1:8	104-8300	2	Nut-HF, NI	10:1	3212-4	2	Screw-HH
2	140-7103	1	Bracket Kit	10:2	140-7108	2	Spacer
2:1	3230-23	4	Bolt-CARR	11	144-0458	1	Track Kit
2:2	104-8300	8	Nut-HF, NI	12	145-3520	1	Switch-Plunger, On-(On)
3	140-7115	1	Lower Console Mount Kit	13	126-8559	1	Bellows-Seat
3:1	3230-23	1	Bolt-CARR	14	140-7110	1	Armrest-Deluxe, With Pad
3:2	104-8300	1	Nut-HF, NI	14:1	140-7111	1	Pad-Armrest
4	125-3112	1	Cover-Back	99	140-7119	1	Harness-Air Ride ●

● Not illustrated

# Attachments and Accessories

## For 31802 Groundsmaster e3300 All-Wheel Drive Traction Unit

Product Name	Model/Part
Premium Transmission/Hydraulic Tractor Fluid (5 Gallon Pail) .....	108-1184
Paint-Black Bottle .....	112-0176
Paint-Red Pen .....	112-0177
Paint-Red Bottle .....	112-0178
42-Pound Weight .....	114-4096
Seat Cover (W/arm rest) .....	117-0095
Premium Synthetic Bio-Degradable Hydraulic Fluid (5 Gallon Pail) .....	119-2157
Premium Synthetic Bio-Degradable Hydraulic Fluid (55 Gallon Drum) .....	119-2158
Cable-Assembly, Charger .....	122-3489
Cable-Assembly, Charger .....	122-3490
Cable-Assembly, Charger .....	122-3491
PX Hydraulic Fluid (5 Gal) .....	133-8086
PX Hydraulic Fluid (55 Gal) .....	133-8087
Wrench-Caster Cap/Latch .....	138-6367
SMV Kit .....	139-2339
Work Lights Kit, Groundsmaster and Reelmaster Traction Units with Universal Sunshade .....	140-1554
Universal Wireless Hourmeter Kit .....	144-2436
Blade-20.50 Low Flow .....	145-1114
Blade-20.50 Med Flow .....	145-1115
Blade-20.50 Recycler .....	145-1116
Battery ASM .....	145-5320
Blade-20.50 Atomic .....	147-2082
Energy Expansion Kit, Groundsmaster e3200 Traction Unit .....	161-0859
Kit-Blade, Low Flow (20.5) 3pk .....	161-7645
Kit-Blade, Med Flow (20.5) 3pk .....	161-7646
Kit-Blade, Recycler (20.5) 3pk .....	161-7647
Kit-Blade, Atomic (20.5) 3pk .....	161-7648
White Universal Sunshade .....	30669
Red Universal Sunshade .....	30671
60in Sd Deck, GM E3200 .....	31890
60in Rd Deck, GM E3200 .....	31891
72" Side discharge deck .....	31892
72" Rear discharge deck .....	31893
Seat Asm - Standard .....	32301
Seat Asm - Mech Susp .....	32302
Air Ride Seat Kit, Groudsmaster .....	32303
Recycler Kit (60in/152cm Rd), E3200 .....	32306
Led Work-light Kit, E3200 (rops) .....	32307
Road Light Kit, E3200 (eu) .....	32308
North American Road Light Kit, Groundsmaster e3200 Series Traction Unit .....	32309
Back-up Alarm, E3200 .....	32310
Beacon Kit .....	32313
Switch Panel, Groundsmaster e3200 2-Wheel Drive Traction Unit with Universal Sunshade .....	32314
Energy Expansion Mounting Kit, Groundsmaster e3200 Traction Unit .....	32317

# Attachments and Accessories (continued)

Recycler Kit, Groundsmaster e3200 Traction Unit with 60in Side Discharge Rotary  
Mower..... 32319

Toro Red 12oz Aerosol Can..... 361-10

Semi-Gloss Black Spray Paint..... 361-9

Filter-Oil, Transmission..... 86-3010



**Count on it.**