



MODEL NO. 41026

SET-UP AND
PARTS LIST

HOSE REEL KIT

Refer to the illustrated Parts List for the details of parts used in assembling the Hose Reel Kit.

"Right" and "Left" as used in the following instructions, refer to the operator's right and left when seated in the normal operating position. Likewise, "Front" and "Rear" as seen from the operator's position.

■ Install the two Leg Assemblies onto the Vehicle Frame as shown in FIG. 1, using eight mounting lugs, eight 3/8 x 4-1/2" cap screws and lock nuts. Tighten the fasteners to "just snug" to permit any necessary adjustments.

■ Attach the welded Hose Reel Mounting Assembly to the two Leg Assemblies with four 1/2 x 1-1/4" cap screws, lock washers and hex nuts. **IMPORTANT!** There are two different hole patterns (see the illustrated Parts List) for mounting the Reel Mounting Assembly to the Leg Assemblies. Be sure to match the holes as indicated for use on the Vehicle to be used.

■ Install the Hose Reel Assembly onto the Reel Mounting Assembly, using the four 3/8 x 1" cap screws, flat washers and lock nuts.

■ Crimp the 3/8" terminal ring to the NEGATIVE (-) wire from the Reel Motor. Ground the NEGATIVE (-) wire to the left-rear screw used to mount the Hose Reel Assembly to the frame.

■ Tighten all fasteners securely in order to insure a solid, rigid installation.

■ Attach the Electrical Box Assembly to the right rear angle with a 1/2 x 1-1/4" cap screw and lock nut.

■ Remove the screws holding the Cover to the Electric Box, to gain access to the electrical components mounted to the inside of the Box Cover.

■ Feed the POSITIVE (+) wire from the Reel Motor through the wire bushing in bottom of the Electric Box. Crimp the #10 terminal ring to the POSITIVE (+) wire.

■ Connect the POSITIVE (+) wire to the open terminal on the circuit breaker, which is mounted on the Box Cover.

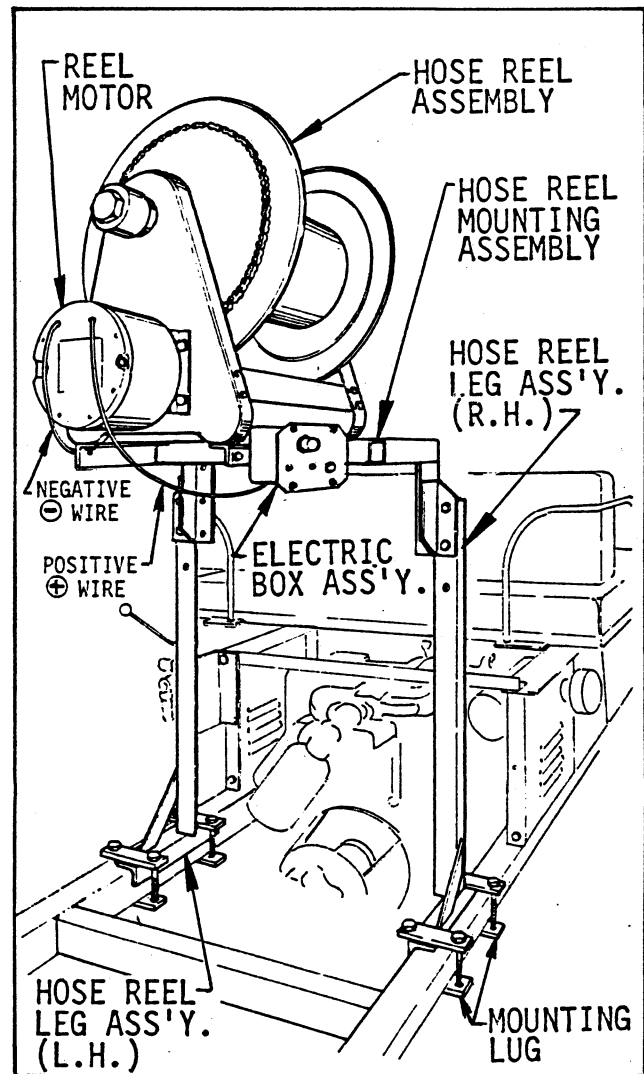


FIG. 1

(FIG. 1 ILLUSTRATES THE HOSE REEL KIT INSTALLED ON THE MULTI-PRO 5200.)

■ Apply a "bead" of silicone to the four flanges of the Electric Box. Replace the Box Cover, using four #10 x 1/2" machine screws, flat washers and hex nuts. Apply additional silicone to make a seal around the wires at the wire bushing.

■ Connect the Power wire to the terminal on the Starter Solenoid (where the RED Battery wire is connected) on the engine.

NOTE: APPLY THREAD COMPOUND TO ALL THREADS.

CONNECTING THE SPRAY HOSE:

- Hand thread the male hose connector into the connecting tube on the Reel Shaft. See FIG. 2.
- Using a wrench, firmly hold onto the connecting tube, while tightening the hose connector.

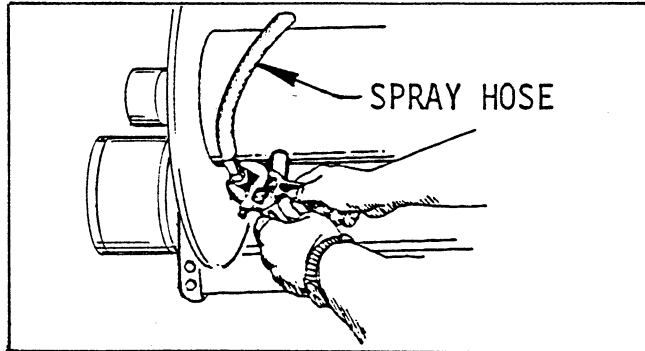


FIG. 2

CONNECTING THE SUPPLY HOSE:

- Install the hose barb into the Swivel Assembly as shown in FIG. 3 and secure the Supply Hose with a hose clamp.
- Connect the other end of the Supply Hose as shown in the Hose Reel's illustrated Parts List on page 4.

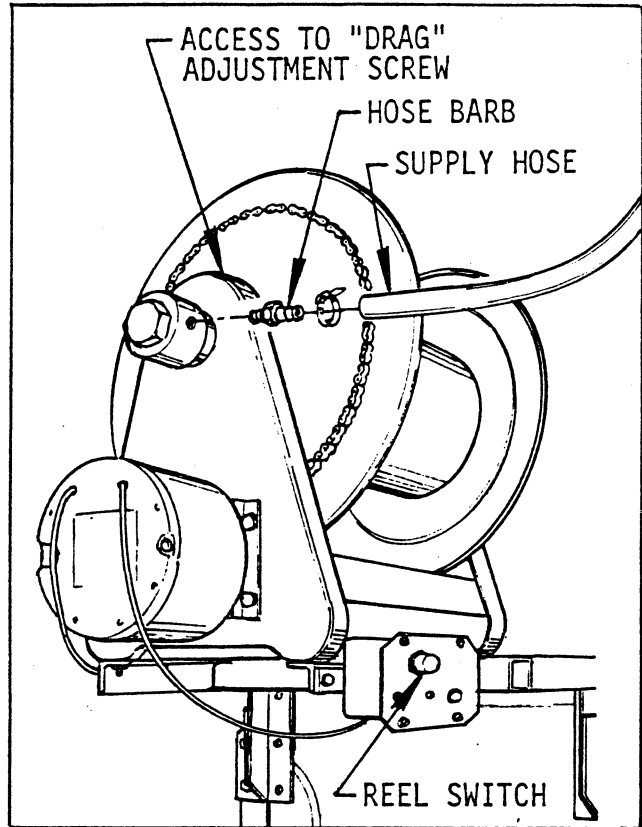


FIG. 3

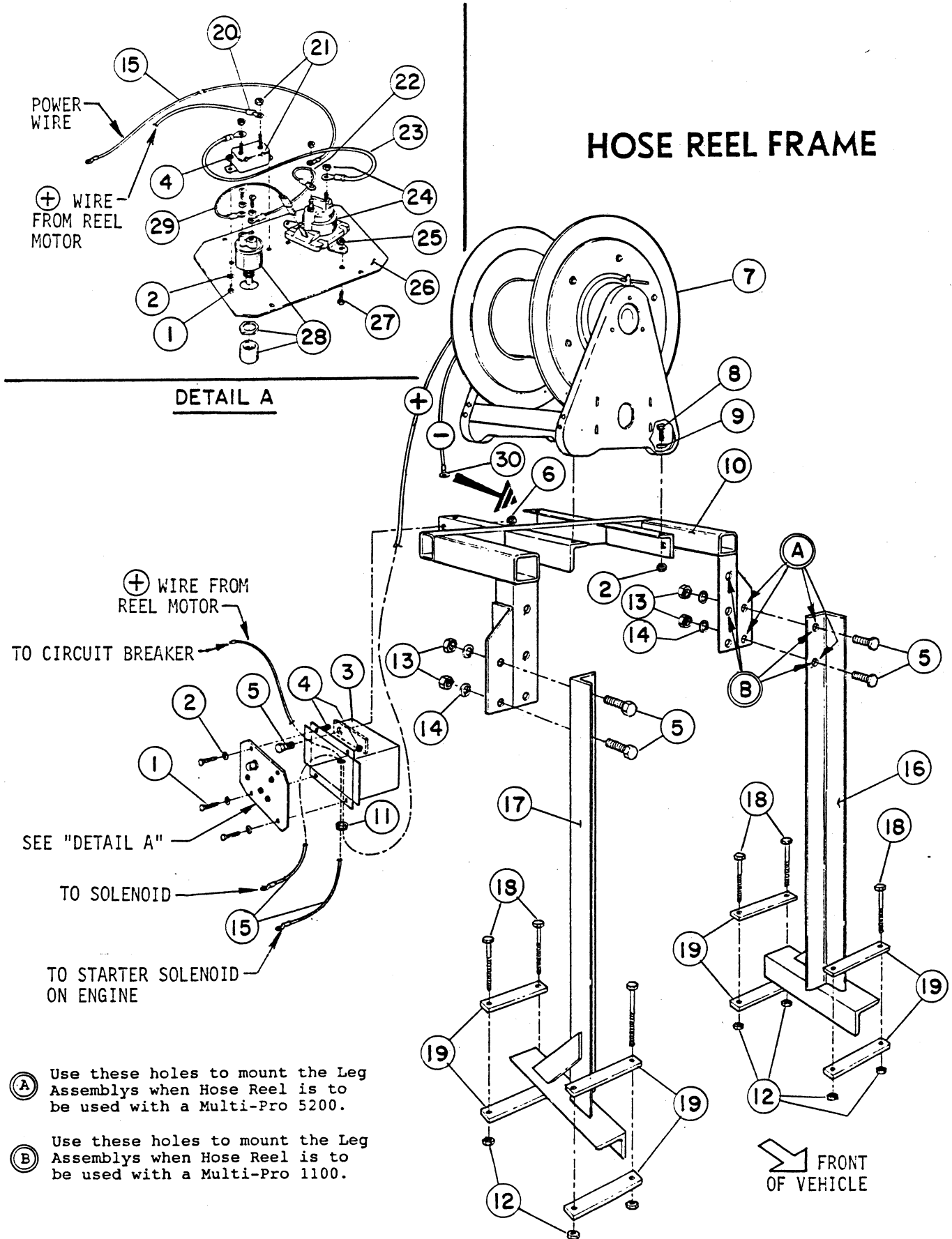
SPOOL ROTATION:

Adjust Reel "drag" by loosening or tightening the set screw on the hub casting. See FIG. 3.

HOSE REEL FRAME

REF	PART NO.	DESCRIPTION	QTY
1	21-96-BMD	Hex Hd. Mach. Screw, #10 NF x 1 1/2"	6
2	24-7-BD	Flat Washer, #10 S.A.E.	6
3	42397	Electric Box Assembly	1
4	22-9-BJD	Hex Nut, #10 NF	6
5	20-86-AGD	HHCS, 1/2 NC x 1 1/4" (Grade 5)	5
6	22-15-AJFD	Lock Nut, 1/2 NC	1
7	42200	Hose Reel Assembly	1
	42204	Spray Hose Ass'y, 5/8 x 150 ft	1
8	20-47-AGD	HHCS, 3/8 NC x 1" (Grade 5)	4
9	24-11-BD	Flat Washer, 3/8 S.A.E.	4
10	42523	Hose Reel Mounting Assy - Welded	1
11	42205	Wirebushing	1
12	22-13-AJFD	Lock Nut, 3/8 NC	12
13	22-15-AJD	Hex Nut, 1/2 NC	4
14	23-13-GD	Lock Washer, 1/2 Med.	4
15	42209	Wire Assy - Power	1
16	42586	Hose Reel Leg Assy - L.H.	1
17	42579	Hose Reel Leg Assy - R.H.	1
18	20-60-AGD	HHCS, 3/8 NC x 4 1/2" (Grade 5)	8
19	42531	Mounting Lug	8
20	42312	Insulated Terminal - #10 Ring	1
21	42201	Circuit Breaker	1
22	42207	Wire Assy. - Solenoid to Switch	1
23	42206	Wire Assy. - Solenoid to Breaker	1
24	41019	Solenoid	1
25	22-11-AJD	Hex Nut, 1/4 NC	2
26	42310	Electrical Box Cover	1
27	34-140-AMVD	Hex Washer Hd. Screw, 1/4 NC x 5/8"	2
28	42202	Momentary Switch	1
29	42208	Wire Assy. - Switch to Solenoid	1
30	42313	Terminal - Insulated 3/8 Ring	1

HOSE REEL FRAME



DETAIL A

⊕ WIRE FROM REEL MOTOR
TO CIRCUIT BREAKER

SEE "DETAIL A"

TO SOLENOID

TO STARTER SOLENOID ON ENGINE

Ⓐ Use these holes to mount the Leg Assemblies when Hose Reel is to be used with a Multi-Pro 5200.

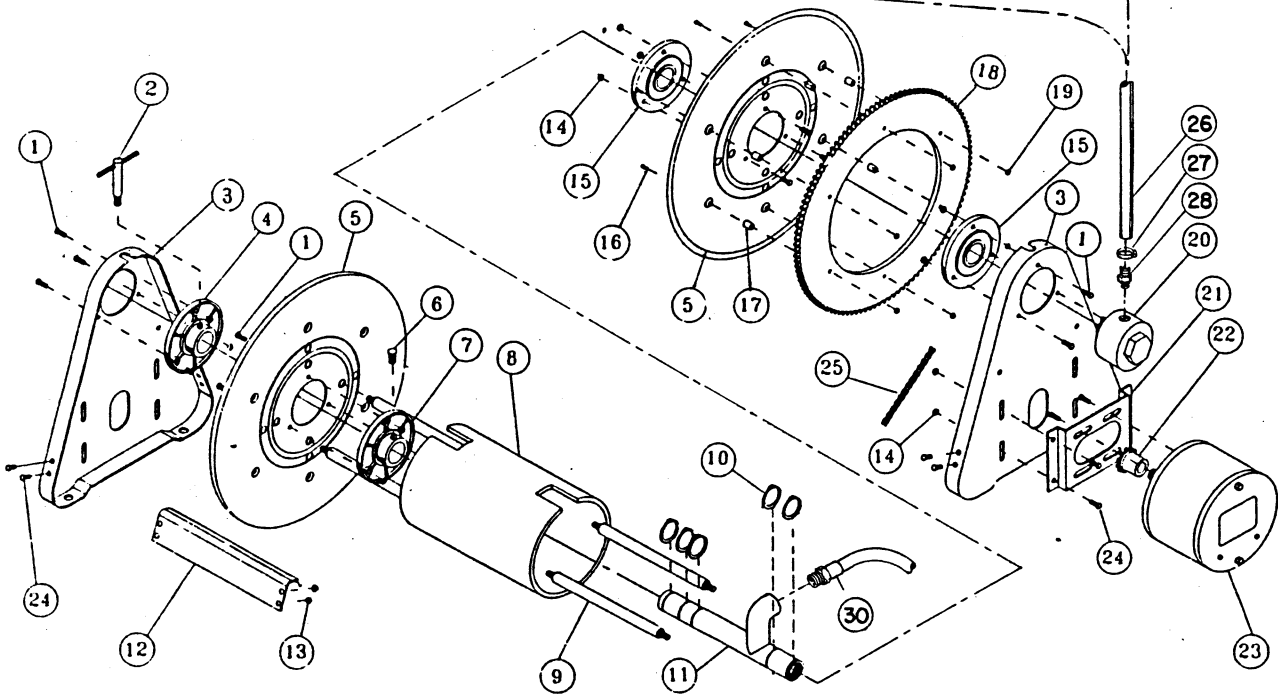
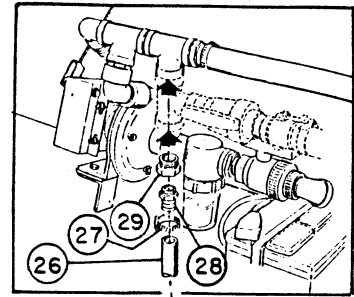
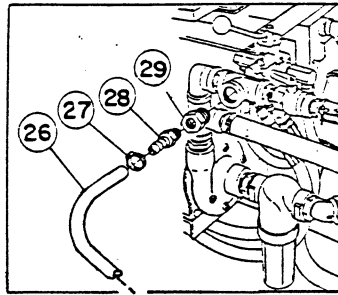
Ⓑ Use these holes to mount the Leg Assemblies when Hose Reel is to be used with a Multi-Pro 1100.

FRONT OF VEHICLE

HOSE REEL

MULTI-PRO 5200

MULTI-PRO 1100



REF	PART NO.	DESCRIPTION
1	42337	1/4-20 x 5/8 Screw, Mach.
2	42338	Lock Handle Ass'y
3	42339	Frame, Side
4	42340	Bearing and Break Collar Ass'y
5	42341	Flange, Spool
6	42342	5/16-18 x 5/16 Set Screw Pin
7	42343	Bearing, Hub
8	42344	Spacer, Spool
9	42345	Tie Rod
10	42346	1-1/4" Snap Ring
11	42347	Shaft Ass'y
12	42348	Brace, Cross
13	22-12-AJFD	Locknut 5/16-18
14	22-11-AJFD	1/4-20 Nut, Hex Whiz
15	42349	Hub Sheave, Bearing
16	42350	10-32 x 7/8 Cap Screw
17	42351	Spacer, Gear
18	42352	Gear, Spool
19	22-9-BJD	10-32 Flange Nut
20	42353	3/4" Swivel Ass'y
	42594	Repair Kit (2-O-Rings, 2-Back-Up Rings 1-Snap Ring)
21	42354	Bracket, Motor
22	42355	Gear, Motor, 1/2" Barb
23	42356	Motor, Drive
24	20-22-AD	5/16-18 x 1/2 Screw
25	42357	Chain
26	42534	Supply Hose, 3/4 I.D. x 84"
27	6350	Hose Clamp
28	41313	Hose Barb, 1/2 MPT x 3/4 HB
29	41306	Reducer Bushing 1" MPT x 1/2" FPT
30	42204	Spray Hose Assembly, 5/8 x 150 ft.