



**Count on it.**

**Parts Catalog**

**Heated (Only) Cab Kit**

**2015 and After Groundsmaster® 4000-D  
Rotary Mower**

Model No. 31232—Serial No. 400400001 and Up



# Ordering Replacement Parts

To order replacement parts, please supply the part number, the quantity, and the description of each part desired.

## Understanding Reference Numbers

Each identified part in an illustration has a reference number. The reference number for a part also appears in the parts list, along with other information about the part.

This catalog uses two special reference number formats, one to indicate parts in a service assembly and another to indicate the quantity of a given part in an illustration.

## Service Assembly Reference Numbers

Parts in service assemblies have reference numbers in the form a:b. The a represents the reference number of the entire service assembly and the b represents a sequential number unique to each part within the service assembly.

For example, a wheel assembly might be identified by reference number 6, the tire by 6:1, the valve by 6:2, and the wheel by 6:3. When you order the assembly identified by reference number 6, you receive all parts identified by reference numbers 6:1, 6:2, and 6:3. However, you may also order any part individually. Reference numbers of this type appear in illustration and in parts lists.

## Reference Numbers Indicating Quantity

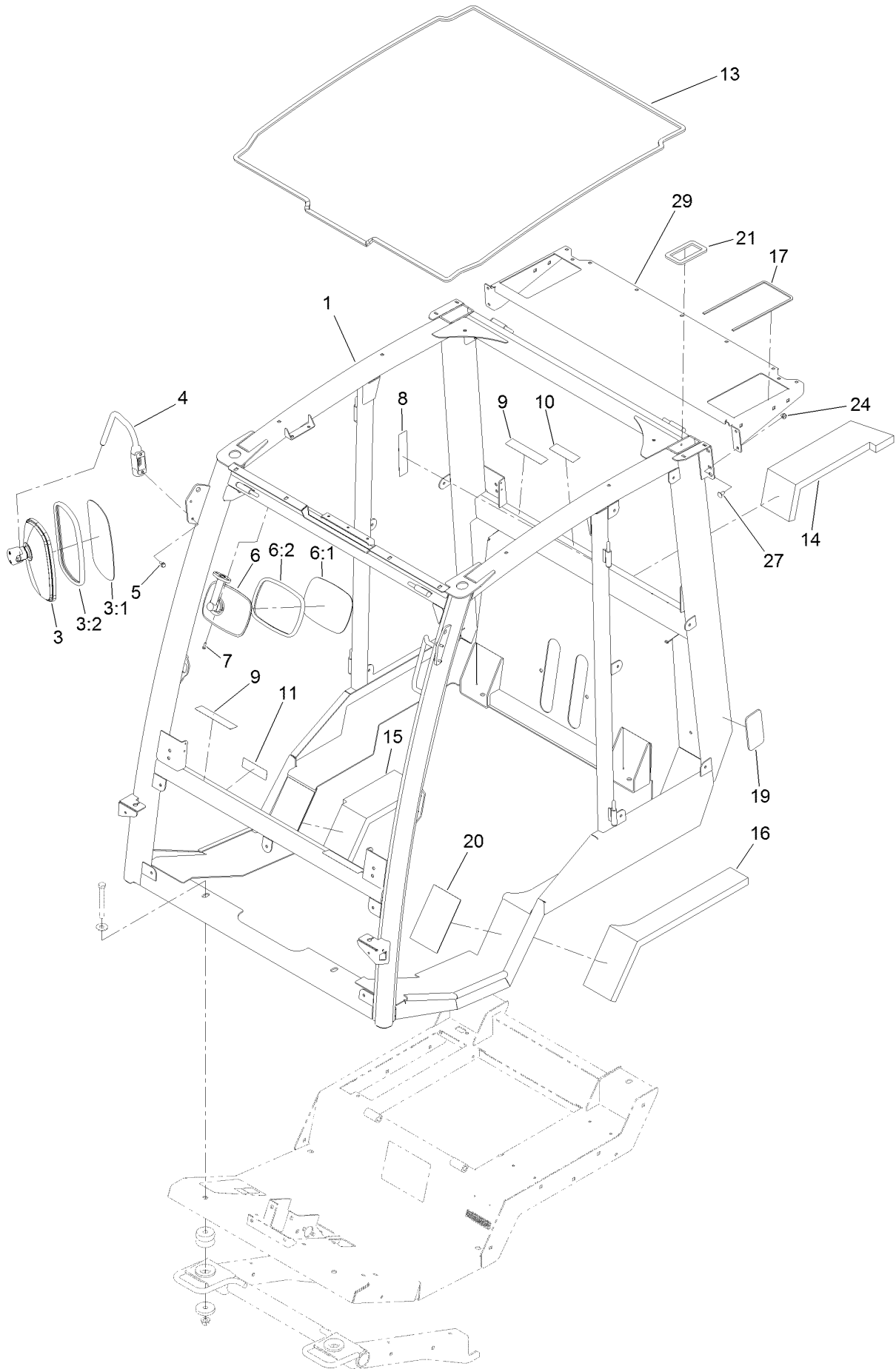
In an illustration, if a reference number indicates more than one part, the reference number has the form nX y. The n represents the quantity of the part, the X is the multiplication symbol, and the y represents the reference number.

For example, in an illustration, the reference number 2X 37 means that two of the parts identified by reference number 37 are indicated.

# Contents

Frame, Mount and Seal Assembly . . . . .	4
Windshield Wiper and Fresh-Air Filter Assembly . . . . .	6
Window and Door Assembly . . . . .	8
RH Door Assembly . . . . .	10
LH Door Assembly . . . . .	11
Heater Hose and Washer Bottle Assembly . . . . .	12
Interior Foam Assembly . . . . .	14
Mount Cover Step and Tread Assembly . . . . .	16
Deck Bumper Assembly . . . . .	18
Roof, Headliner and Heat Mixing Box Assembly . . . . .	20
Headliner Wire Harness Assembly . . . . .	22
Blower Mount Assembly . . . . .	24
Heater Core Bracket and Cover Assembly . . . . .	26
Heat / AC Mixing Box Housing Assembly . . . . .	28
Air Diverter Assembly . . . . .	30
Air Diverter Assembly No. 121-8369 . . . . .	32

# Frame, Mount and Seal Assembly

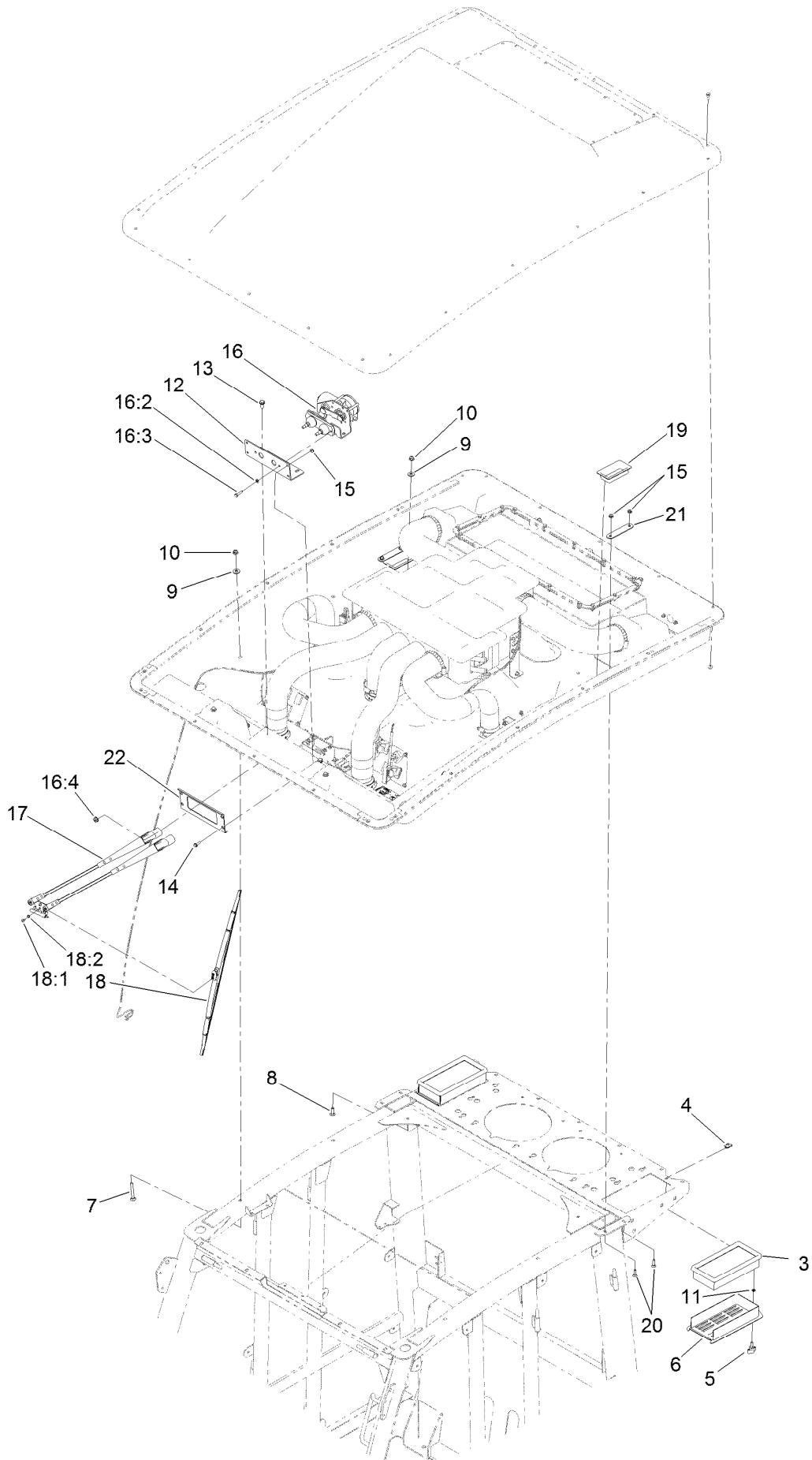


## Frame, Mount and Seal Assembly (continued)

<i>Ref.</i>	<i>Part Number</i>	<i>Qty.</i>	<i>Description</i>	<i>Ref.</i>	<i>Part Number</i>	<i>Qty.</i>	<i>Description</i>
1	136-1790-03	1	Frame ASM	11	130-5356	1	Decal-Traction Pedal
3	121-8341	2	Side Mirror ASM	13	130-0586	1	Seal-Foam, Frame Roof
3:1		1	Mirror-Glass ●	14	121-8545	1	Seal-Foam, RH-Upper
3:2		1	Gasket ●	15	121-8546	1	Seal-Foam, RH
4	121-8275	2	Arm-Mirror, Side	16	121-8508	1	Foam-Seal, LH
5	33103-016	4	Screw-HHF	17	130-0587	2	Seal-Foam, Roof Air Filter
6	121-8343	1	Interior Mirror ASM	19	130-5923	2	Pad
6:1		1	Mirror ●	20	130-5978	2	Patch-Tread
6:2		1	Gasket ●	21	130-5855	2	Seal-Tube, Rear
7	32144-32	2	Screw-PPH	24	104-8300	4	Nut-HF, NI
8	130-0594	1	Decal-Warning	27	3230-18	4	Screw-CARR
9	130-0611	3	Decal-Window, Pin	29	136-1776-03	1	Shelf-Mount, Fan
10	130-5355	1	Decal-Window, Hood				

● Not serviced separately

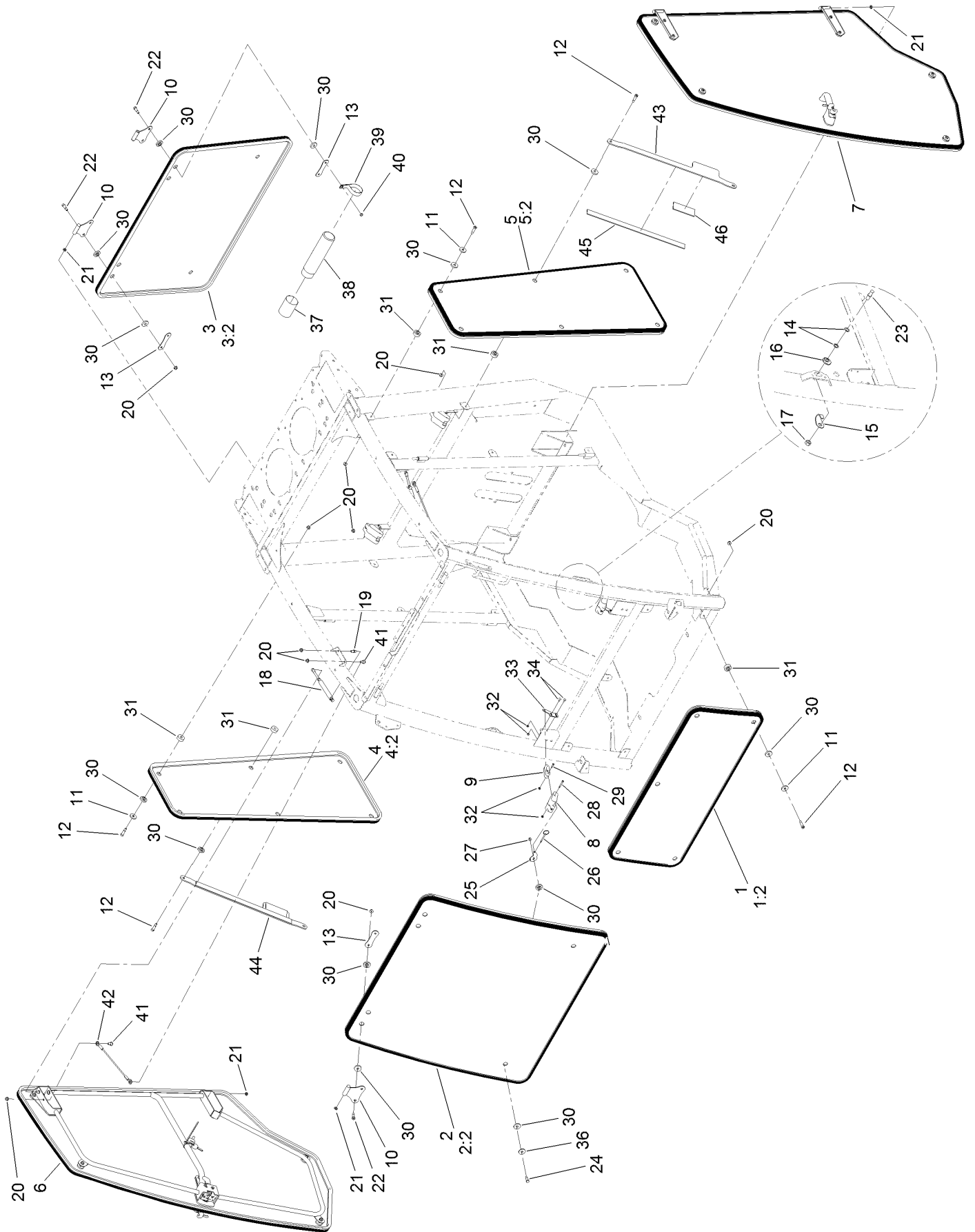
# Windshield Wiper and Fresh-Air Filter Assembly



# Windshield Wiper and Fresh-Air Filter Assembly (continued)

<i>Ref.</i>	<i>Part Number</i>	<i>Qty.</i>	<i>Description</i>	<i>Ref.</i>	<i>Part Number</i>	<i>Qty.</i>	<i>Description</i>
3	121-8457	2	Filter-Air	16	125-7452	1	Wiper Motor ASM
4	107069	2	Clip	16:2	3253-3	1	Washer-Lock
5	126-5846	2	Knob-T	16:3	33113-025	1	Screw-HH
6	125-9825-03	2	Cover-Air, Fresh	16:4	112-2844	2	Nut-HF
7	3230-9	4	Screw-CARR	17	125-7453	1	Arm-Wiper
8	3230-22	13	Screw-CARR	18	125-7454	1	Blade-Wiper
9	3256-3	17	Washer-Flat	18:1	47-2830	2	Screw
10	104-8300	17	Nut-HF, NI	18:2	43-5920	2	Washer-Lock, Spring
11	106-8737	2	Nut-Retainer	19	130-5661	2	Tube-Sleeve
12	130-5871	1	Bracket-Wiper	20	3229-30	4	Screw-CARR
13	32144-11	2	Screw-HWH	21	130-5854	2	Brace-Seal
14	32105-15	4	Screw-HWH	22	130-6068-03	1	Plate-Washer, Wiper Motor
15	104-7201	8	Nut-HF, NI				

# Window and Door Assembly

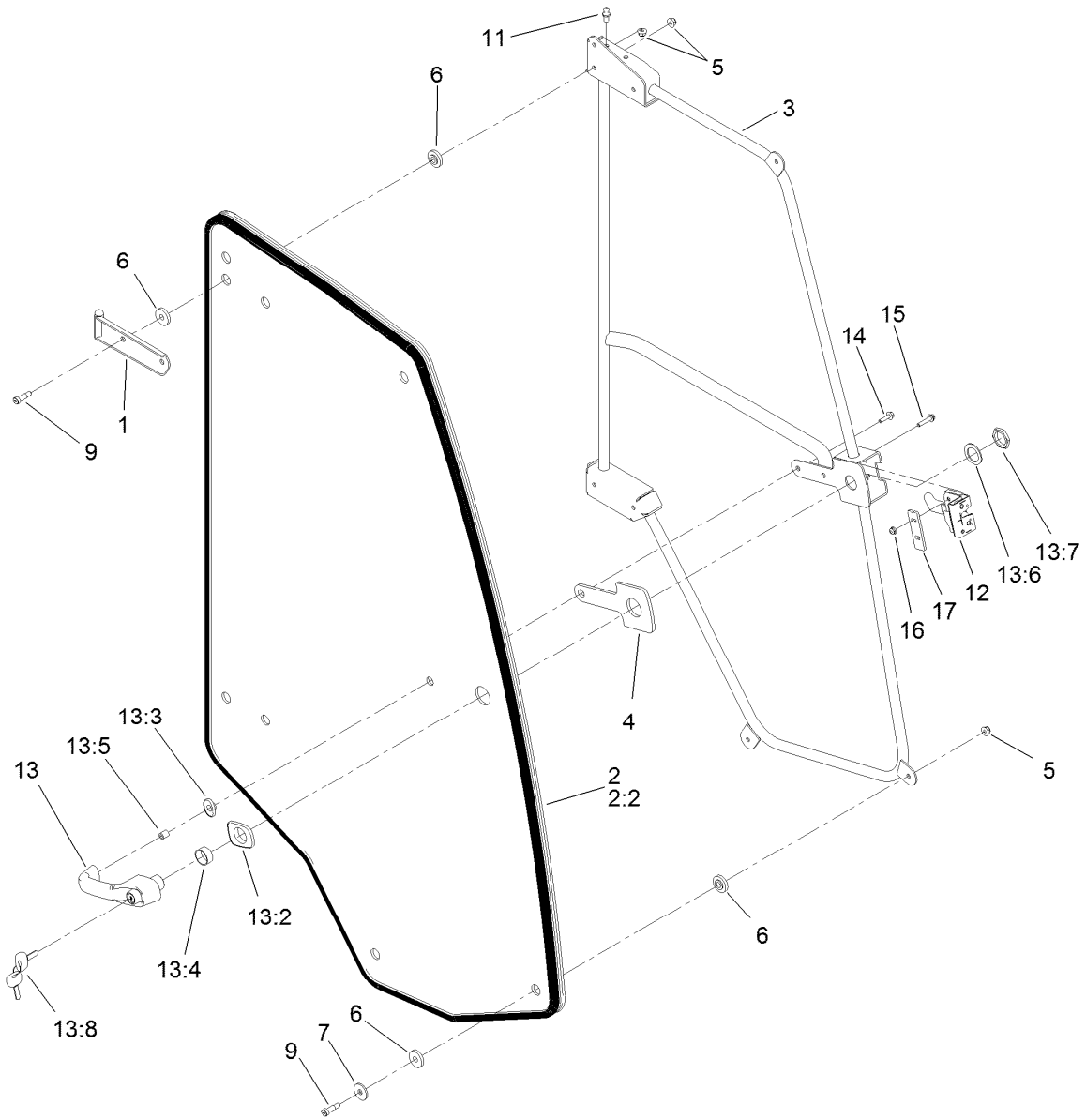


## Window and Door Assembly (continued)

<i>Ref.</i>	<i>Part Number</i>	<i>Qty.</i>	<i>Description</i>	<i>Ref.</i>	<i>Part Number</i>	<i>Qty.</i>	<i>Description</i>
1	130-5681	1	Lower Front Window ASM	23	125-9993	2	Striker-Stud
1:2	121-8211	1	Trim-Window, Front	24	119-9812	4	Bolt-Shoulder
2	130-5680	1	Upper Front Window ASM	25	125-9987	4	Mount-Latch
2:2	121-8212	1	Seal-Trim	26	127-9850	4	Pin-Release, Quick
3	130-5682	1	Rear Window ASM	27	104-7201	4	Nut-HF, NI
3:2	130-0637	1	Seal-Trim	28	3274-59	4	Screw-HSH
4	130-5676	1	RH-Side Window ASM	29	3274-14	4	Screw-HSH
4:2	121-8215	1	Seal-Trim	30	125-9982	41	Bushing-Flange
5	130-5677	1	LH-Side Window ASM	31	125-9537	17	Bushing-Flange
5:2	121-8215	1	Seal-Trim	32	120-9681	16	Nut-Lock, NI
6		1	RH Door ASM ■	33	130-0590	4	Mount-Tab
7		1	LH Door ASM ■	34	1-807513	8	Bolt-CARR
8	125-9792	4	Handle-Window	36	125-9676	4	Washer-Backup
9	125-9793	4	Link-Window	37	104-7048	1	Cap-Housing
10	121-8535-03	4	Hinge-Window	38	104-7050	1	Tube-Manual
11	130-5815	13	Washer-Backup	39	2412-133	2	Clamp-R
12	125-9521	17	Screw-Shldr HSH	40	3296-47	2	Nut-Lock,NI
13	127-9933	4	Plate-Backer, Windshield	41	120-9471	4	Bolt-Shoulder
14	73-0040	2	Washer-Thrust	42	130-5726	2	Lanyard
15	121-8393	2	Guard-Striker	43	130-6095-03	1	Strap-Support, Left
16	125-9992	2	Adjuster-Stud	44	130-6091-03	1	Strap-Support
17	106-0327	2	Nut-Hex	45	130-6096	2	Strap-Foam, 19.5 Inch
18	130-6083	2	Spring-Gas, Door	46	130-6097	2	Strap-Foam, 4.25 Inch
19	98-3104	2	Stud-Ball	47	133-1110	1	Pin-Hinge ●
20	104-8300	29	Nut-HF, NI	48	121-8439	1	Receiver-Pivot, Hinge ●
21	121-8441	8	Washer-Spacer	49	121-8440	1	Pivot-Hinge ●
22	125-9520	8	Screw-Shoulder, HSH				

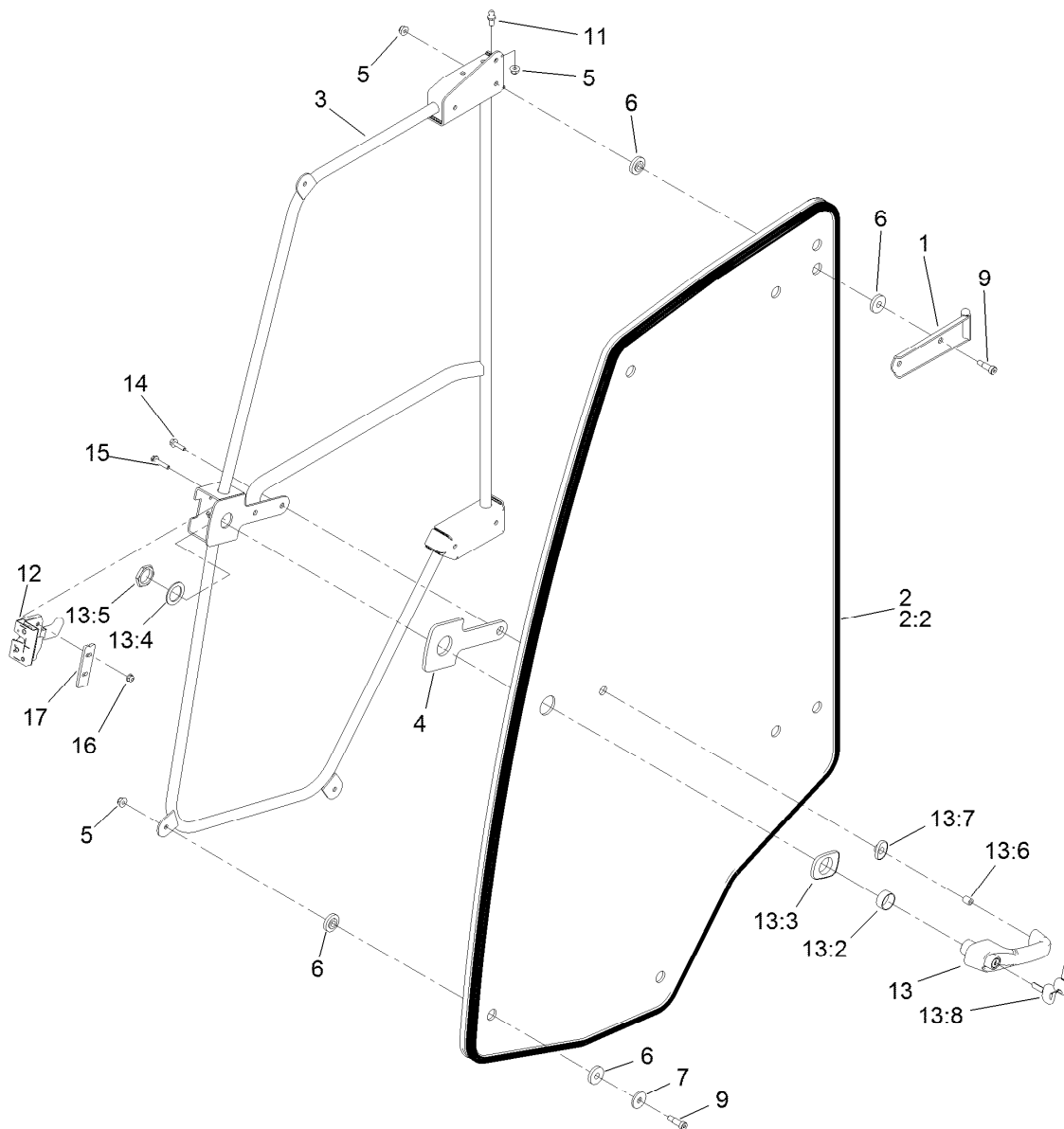
● Not illustrated

■ Not serviced separately



## RH Door Assembly

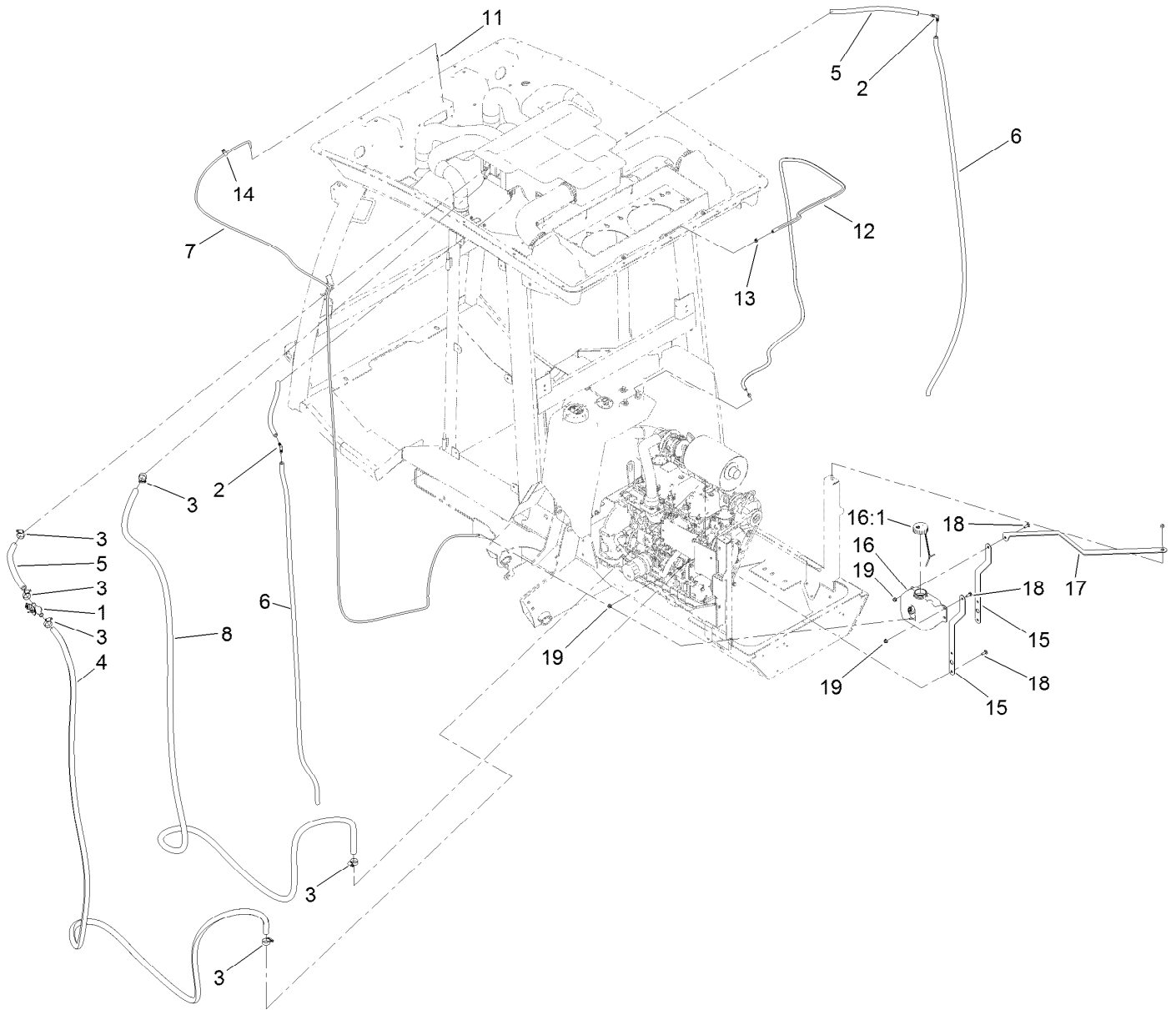
<i>Ref.</i>	<i>Part Number</i>	<i>Qty.</i>	<i>Description</i>	<i>Ref.</i>	<i>Part Number</i>	<i>Qty.</i>	<i>Description</i>
1	125-9618-03	2	Hinge-Door, RH	13:2	121-8628	1	Cylinder-Mounting, Key
2	130-5678	1	RH Door ASM	13:3	121-8322	1	Grommet-Mounting, Large
2:2	125-9799	1	Trim-Door	13:4	121-8327	1	Washer
3	121-8570-03	1	Frame-Door, RH	13:5	121-8328	1	Nut
4	121-8331	1	Gasket-Handle	13:6	121-8627	1	Cylinder-Mounting, End
5	104-8300	9	Nut-HF, NI	13:7	121-8323	1	Grommet-Mounting, Small
6	125-9982	16	Bushing-Flange	13:8	125-9531	1	Key-Set
7	125-9676	4	Washer-Backup	14	33103-025	1	Screw-HHF
9	125-9520	8	Screw-Shoulder, HSH	15	3234-21	2	Screw-HHF
11	98-3104	1	Stud-Ball	16	104-7201	2	Nut-HF, NI
12	121-8390	1	Latch-RH	17	121-8395	1	Plate-Support, Latch
13	121-8630	1	Handle ASM				



## LH Door Assembly

<i>Ref.</i>	<i>Part Number</i>	<i>Qty.</i>	<i>Description</i>	<i>Ref.</i>	<i>Part Number</i>	<i>Qty.</i>	<i>Description</i>
1	125-9619-03	2	Hinge-Door, LH	13:2	121-8628	1	Cylinder-Mounting, Key
2	130-5679	1	LH Door ASM	13:3	121-8322	1	Grommet-Mounting, Large
2:2	121-8216	1	Trim-Window	13:4	121-8327	1	Washer
3	121-8571-03	1	Frame-Door, LH	13:5	121-8328	1	Nut
4	121-8331	1	Gasket-Handle	13:6	121-8627	1	Cylinder-Mounting, End
5	104-8300	9	Nut-HF, NI	13:7	121-8323	1	Grommet-Mounting, Small
6	125-9982	16	Bushing-Flange	13:8	125-9531	1	Key-Set
7	125-9676	4	Washer-Backup	14	33103-025	1	Screw-HHF
9	125-9520	8	Screw-Shoulder, HSH	15	3234-21	2	Screw-HHF
11	98-3104	1	Stud-Ball	16	104-7201	2	Nut-HF, NI
12	121-8391	1	Latch-LH	17	121-8395	1	Plate-Support, Latch
13	121-8630	1	Handle ASM				

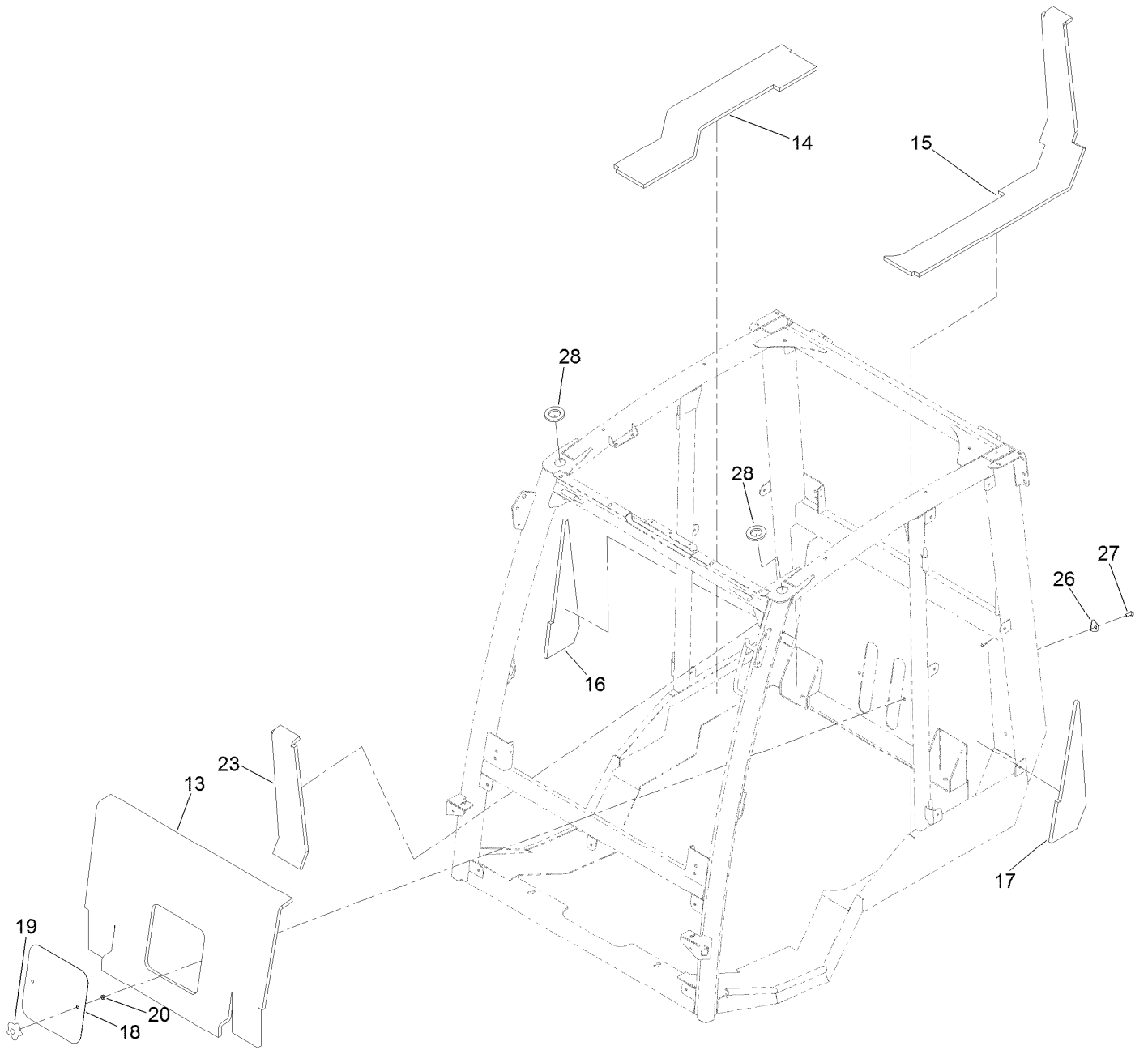
# Heater Hose and Washer Bottle Assembly



## Heater Hose and Washer Bottle Assembly (continued)

<i>Ref.</i>	<i>Part Number</i>	<i>Qty.</i>	<i>Description</i>	<i>Ref.</i>	<i>Part Number</i>	<i>Qty.</i>	<i>Description</i>
1	120-4947	1	Valve-Heater	13	2412-98	1	Clamp-Hose
2	130-0578	2	Fitting-Barb, 90 DEG	14	2412-73	1	Clamp-R
3	2412-129	6	Clamp-Hose	15	130-0604-03	2	Strap-Bottle, Washer Fluid
4	125-9706	1	Hose-Heater	16	138-2702	1	Tank-Fluid, Washer
5	125-9865	2	Hose-Drain	16:1	125-5258	1	Lid-Tank, Washer Fluid
6	125-9866	2	Hose-Drain	17	130-0605-03	1	Support-Bottle, Washer Fluid
7	127-9901	1	Hose-Washer Fluid				
8	125-9864	2	Hose-Heater	18	3230-10	6	Bolt-CARR
11	127-9905	1	Fitting-Hose, Barb	19	104-8300	6	Nut-HF, NI
12	130-5813	1	Hose-Fuel				

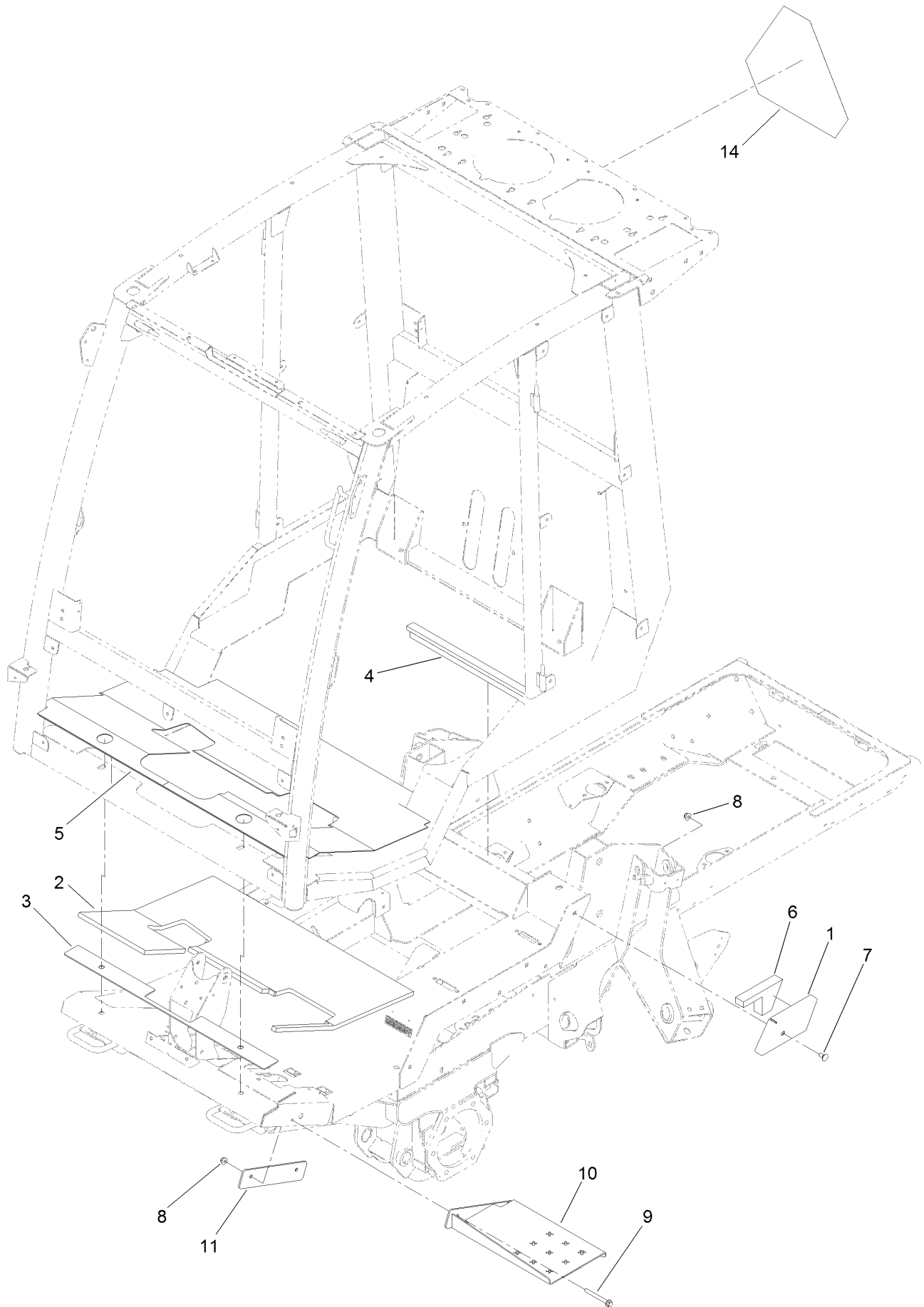
# Interior Foam Assembly



## Interior Foam Assembly (continued)

<i>Ref.</i>	<i>Part Number</i>	<i>Qty.</i>	<i>Description</i>	<i>Ref.</i>	<i>Part Number</i>	<i>Qty.</i>	<i>Description</i>
13	130-0564	1	Foam-Upholstery, Rear	19	117-5976	2	Knob-Handle
14	130-5837	1	Foam-Interior, RH-Lower	20	3296-47	2	Nut-Lock,NI
15	130-0563	1	Foam-Upholstery, Rear-LH	23	130-5838	1	Foam-Interior, RH (Upper)
16	130-0561	1	Foam-Upholstery, Side (RH)	26	132-3495	2	Retainer-Cover
17	130-0570	1	Foam-Upholstery, Rear (LH)	27	3230-22	2	Screw-CARR
18	121-8161-03	1	Plate-Panel, Access	28	133-0982	2	Tube-Seal, Front

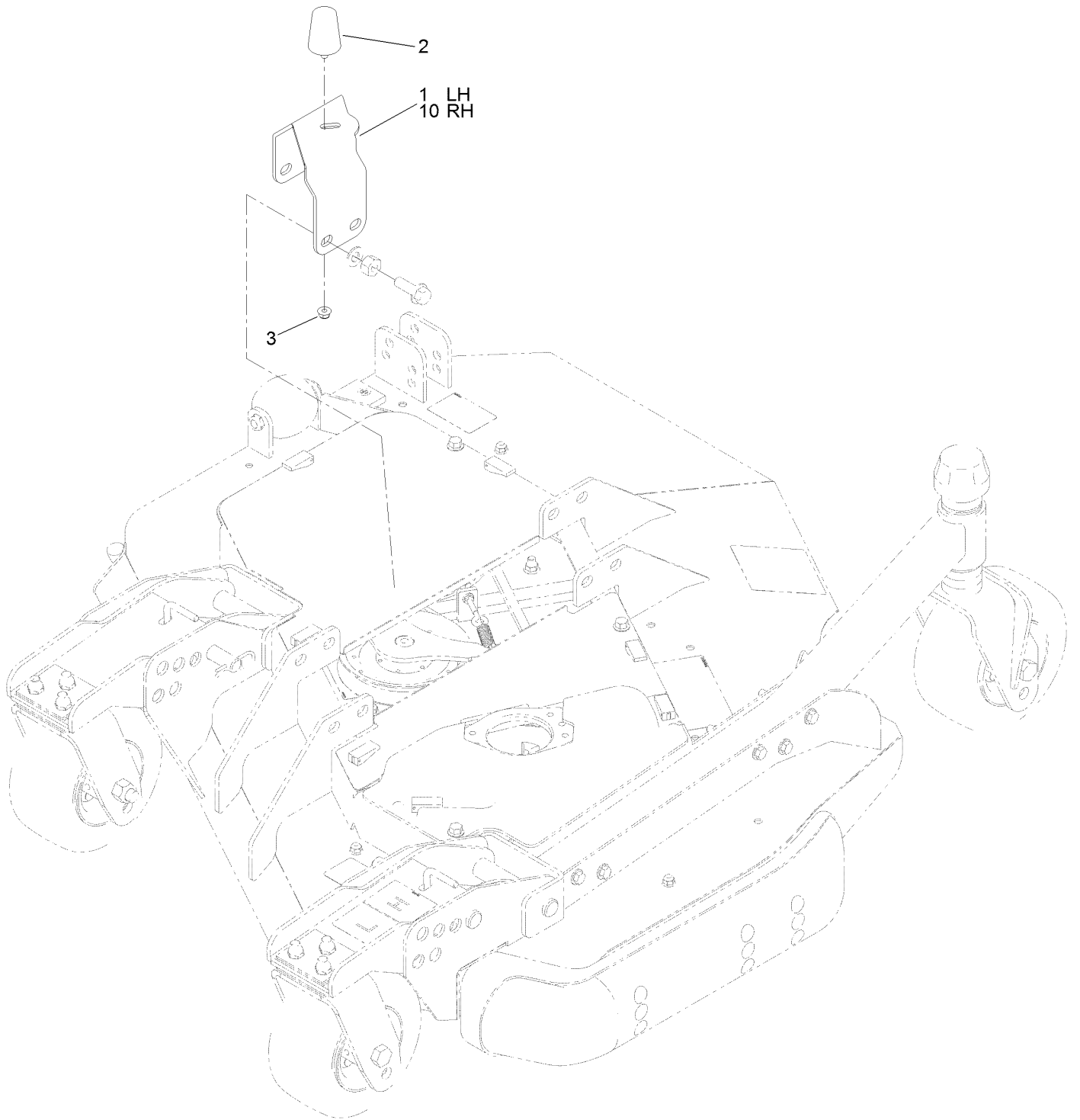
# Mount Cover Step and Tread Assembly



## Mount Cover Step and Tread Assembly (continued)

<i>Ref.</i>	<i>Part Number</i>	<i>Qty.</i>	<i>Description</i>	<i>Ref.</i>	<i>Part Number</i>	<i>Qty.</i>	<i>Description</i>
1	130-5747-03	1	Cover-Mount	7	3231-1	1	Screw-CARR
2	132-3598	1	Foam-Tread	8	104-8301	3	Nut-HF, NI
3	132-3599	1	Gasket-Front	9	116-4701	2	Screw-HHF
4	121-8548	1	Foam-Seal, Rear	10	121-1739-03	1	Step
5	132-3528	1	Tread	11	120-9022-03	1	Support-Step
6	127-9861	1	Foam-Corner	14	120-0250	1	Decal-Warning

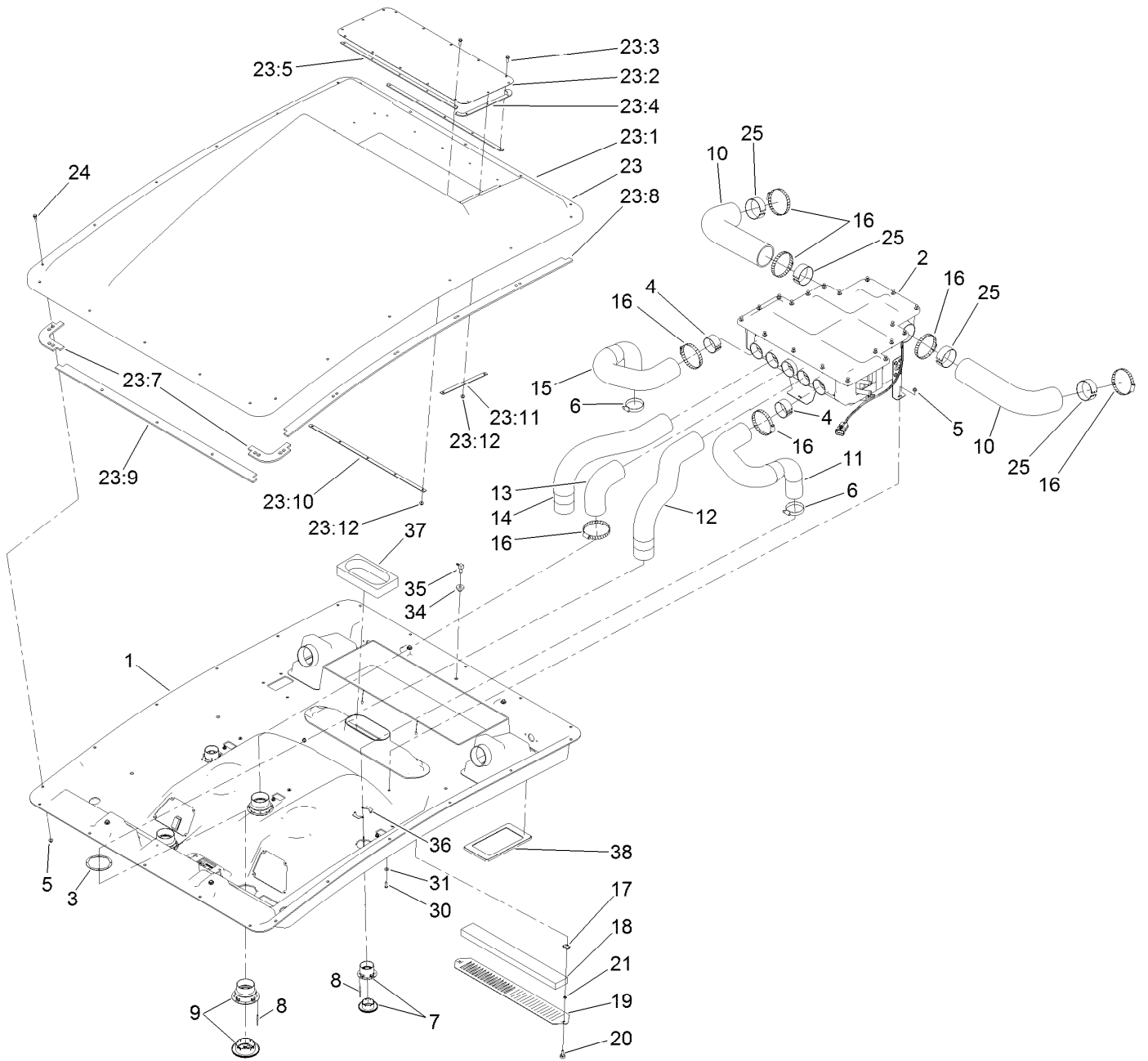
# Deck Bumper Assembly



## Deck Bumper Assembly (continued)

<i>Ref.</i>	<i>Part Number</i>	<i>Qty.</i>	<i>Description</i>	<i>Ref.</i>	<i>Part Number</i>	<i>Qty.</i>	<i>Description</i>
1	130-5965-03	1	Bracket-Bumper, LH	3	104-8300	2	Nut-HF, NI
2	110-5070	2	Bumper	10	130-5966-03	1	Bracket-Bumper, RH

# Roof, Headliner and Heat Mixing Box Assembly

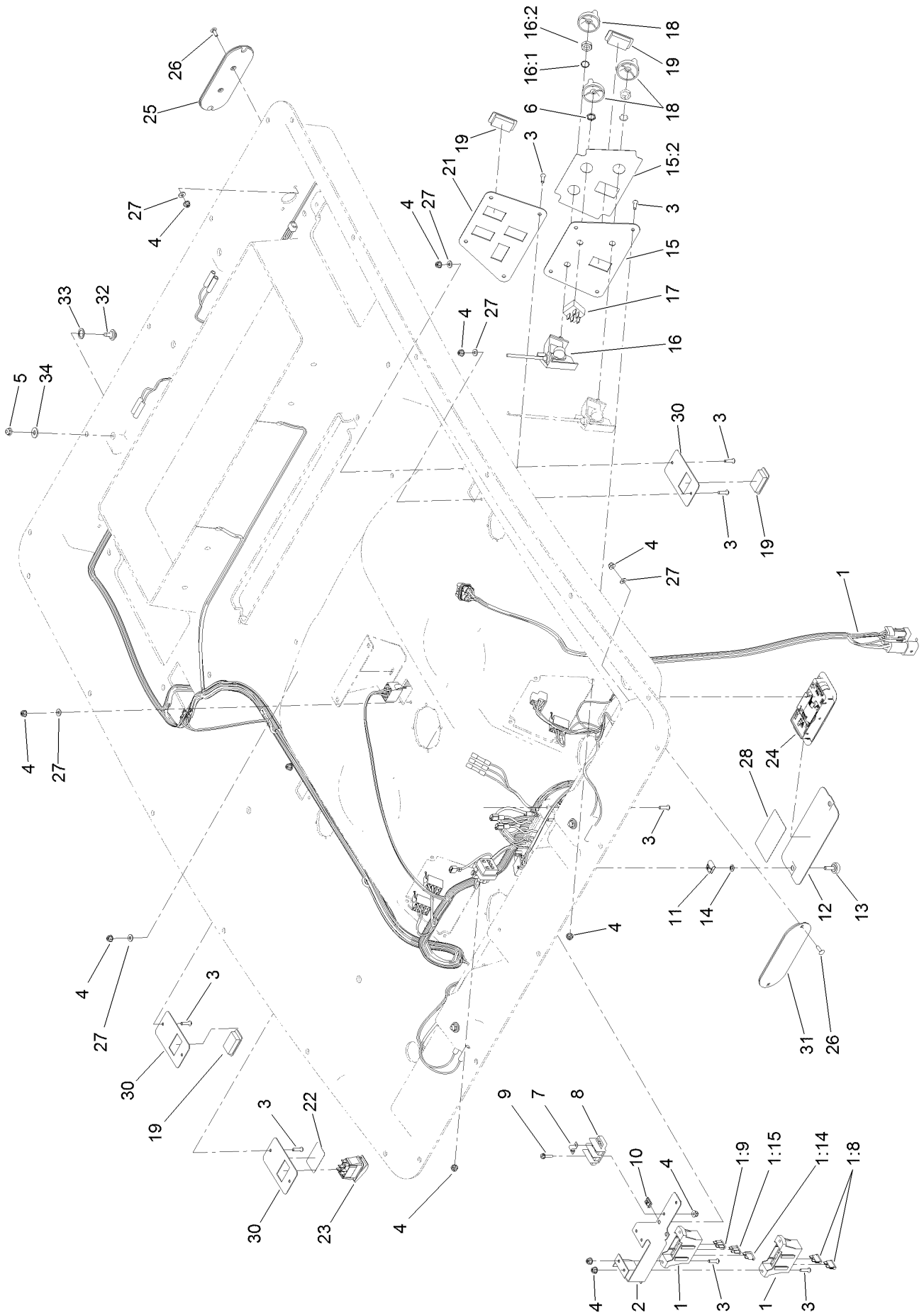


# Roof, Headliner and Heat Mixing Box Assembly (continued)

<i>Ref.</i>	<i>Part Number</i>	<i>Qty.</i>	<i>Description</i>	<i>Ref.</i>	<i>Part Number</i>	<i>Qty.</i>	<i>Description</i>
1	121-8470	1	Headliner	23		1	Roof ASM ●
2	121-8603	1	Heat Mixing Box ASM	23:1	125-9607	1	Roof
3	130-0558	3	Backplate-Rivet	23:2	125-9527-03	1	Cover-Roof
4	130-5938	2	Tube-Support	23:3	32105-15	16	Screw-HWH
5	104-7201	24	Nut-HF, NI	23:4	132-3668	2	Seal-Cover, Short Side
6	2412-130	2	Clamp-Hose	23:5	132-3669	2	Seal-Cover, Long Side
7	130-0455	2	Louver-Round, Snap-In	23:7	130-5961	4	Seal-Corner
8	125-7503	20	Rivet-Pop	23:8	130-5960	2	Seal-Side
9	130-0465	3	Louver-Round, Snap-In (4 Inch)	23:9	130-5962	2	Seal-Front, Rear
10	121-8473	2	Hose-Intake, Fresh Air	23:10	132-3670-03	2	Strap-Roof, Long
11	130-0440	1	Hose-Vent, LH	23:11	132-3671-03	2	Strap-Roof, Short
12	121-8477	1	Hose-Vent, Defrost (LH)	23:12	104-7201	16	Nut-HF, NI
13	130-0437	1	Hose-Vent, Center	24	136-8674	22	Bolt-Pivot, Eccentric
14	121-8478	1	Hose-Vent, Defrost (RH)	25	130-5939	4	Tube-Support
15	130-0441	1	Hose-Vent, RH	30	3274-69	2	Screw-HSBH
16	2412-110	7	Clamp-Band/Screw	31	3256-1	2	Washer-Flat
17	107069	2	Clip	34	46-6560	1	Bushing
18	125-9532	1	Filter-Cab, Inside	35	104-5228	1	Fitting-Elbow, 90 DEG
19	125-9604-03	1	Plate-Cover, Recirculation	36	130-0445	4	Backplate-Rivet
20	125-7438	2	Knob-Screw, Thumb	37	130-0444	1	Foam-Inlet, Airbox
21	106-8737	2	Nut-Retainer	38	132-3474	2	Insert-Seal, Filter

● Not serviced separately

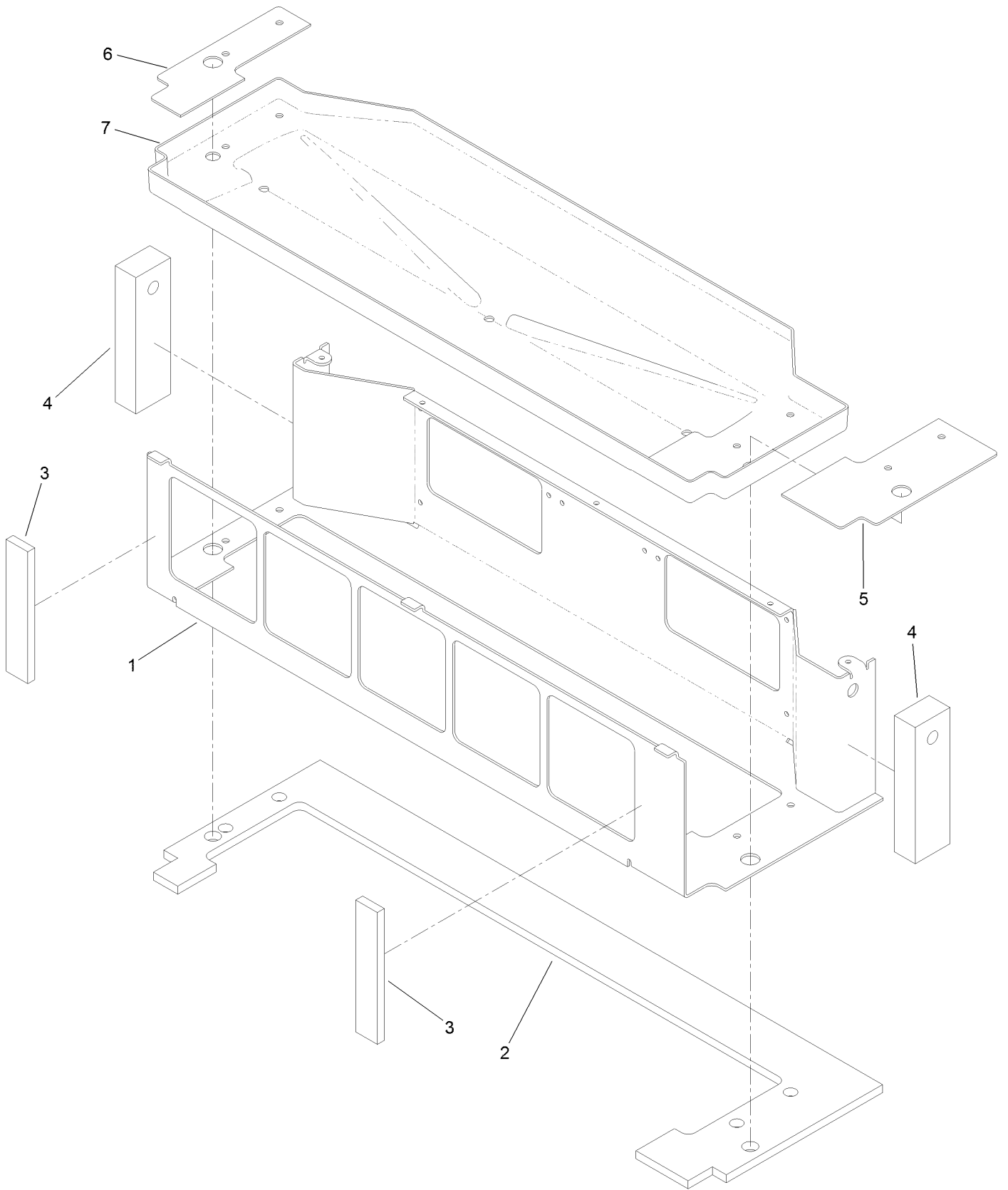
# Headliner Wire Harness Assembly



## Headliner Wire Harness Assembly (continued)

<i>Ref.</i>	<i>Part Number</i>	<i>Qty.</i>	<i>Description</i>	<i>Ref.</i>	<i>Part Number</i>	<i>Qty.</i>	<i>Description</i>
1	122-0723	1	Harness-Wire, Headliner	16	125-9677	1	Control-Rotary, Linear
1:8	109355	2	Fuse-Blade, 15 Amp	16:1	3254-20	1	Washer-Lock, Int
1:9	109103	1	Fuse-Blade, 30 Amp	16:2	3220-4	1	Nut-Jam
1:14	109101	1	Fuse-Blade, 20 Amp	17	122-0150	1	Switch, Rotary
1:15	109102	1	Fuse-Blade, 25 Amp	18	125-9510	3	Knob-Control
2	125-9606-03	1	Bracket-Fuse Block	19	99-7420	7	Plug-Hole
3	104-2408	22	Screw-HSBH	21	125-9658-03	1	Panel-Switch, Lights
4	120-4578	28	Nut-HF	22	125-9688	1	Decal-Washer
5	104-7201	4	Nut-HF, NI	23	119-8355	1	Switch-Rocker
6	130-0588	1	Nut-Switch	24	125-7437	1	Light-Dome
7	42863	1	Strip-Jumper	25	130-5867	2	Cover-Light, Rear
8	42862	1	Block-Terminal, Ground	26	3229-34	8	Screw-CARR
9	32105-13	2	Screw-HWH	27	3256-14	14	Washer-Flat
10	107-1013	4	Nut-Speed	28	132-3600	1	Decal-Panel, Fuse
11	609900	2	Nut-Speed	30	130-0436	3	Panel-Switch
12	125-9603-03	1	Plate-Cover, Fuse	31	130-5868	2	Cover-Light, Front
13	125-7438	2	Knob-Screw, Thumb	32	92-9698	4	Screw-Shoulder
14	106-8737	2	Nut-Retainer	33	94-8196	4	Washer-Nylon
15	121-8481	1	Panel-Air/Heat	34	3256-2	4	Washer-Flat
15:2	121-8378	1	Decal, Air/Heat				

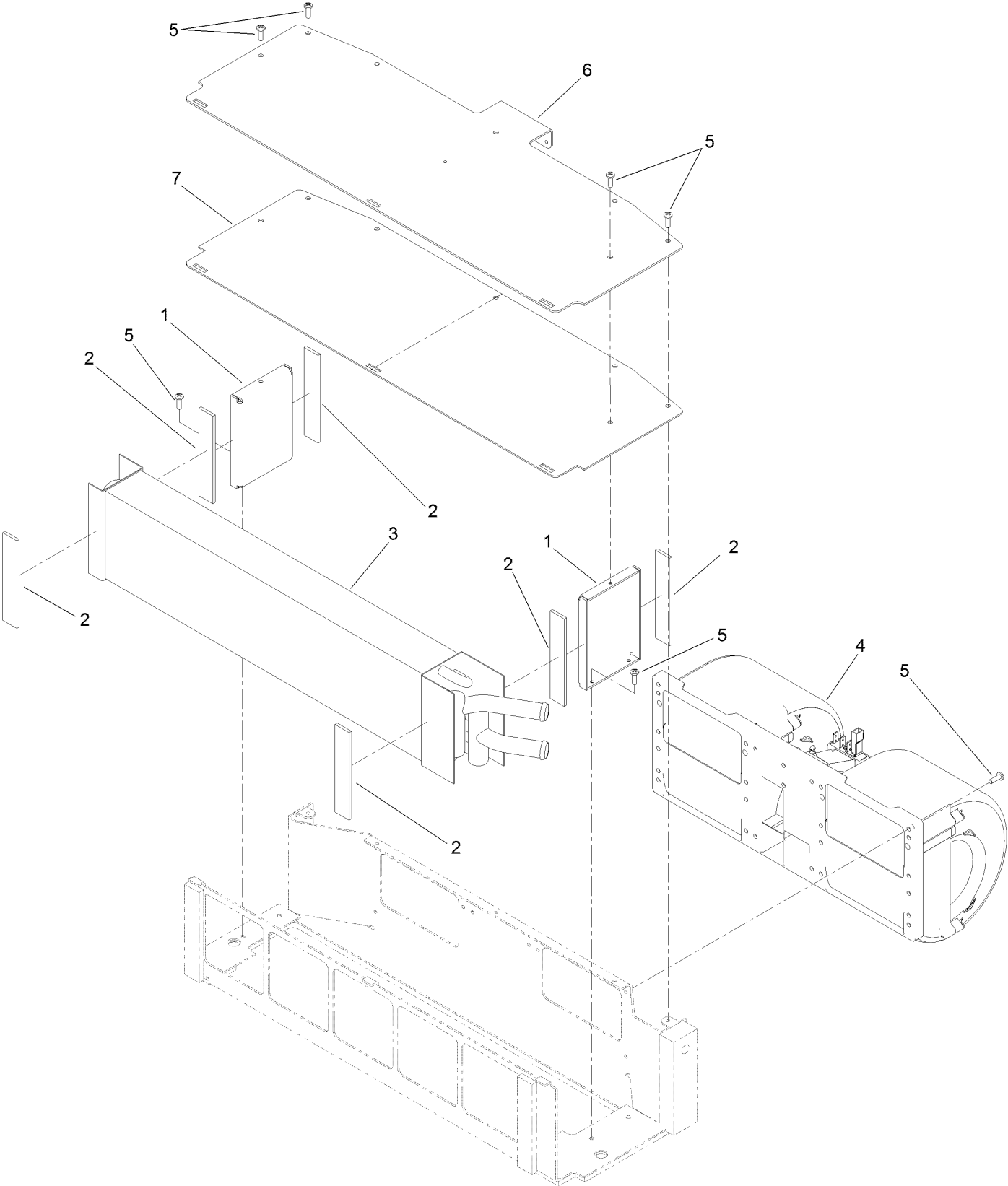
# Blower Mount Assembly



## Blower Mount Assembly (continued)

<i>Ref.</i>	<i>Part Number</i>	<i>Qty.</i>	<i>Description</i>	<i>Ref.</i>	<i>Part Number</i>	<i>Qty.</i>	<i>Description</i>
1	130-5655-03	1	Bracket-Mount	5	130-5653	1	Gasket-Mount, LH Bracket
2	130-5659	1	Seal-Foam	6	130-5654	1	Gasket-Mount, RH Bracket
3	130-5808	2	Seal-Foam, Front	7	130-5664	1	Water-Tray
4	130-0602	2	Seal-End				

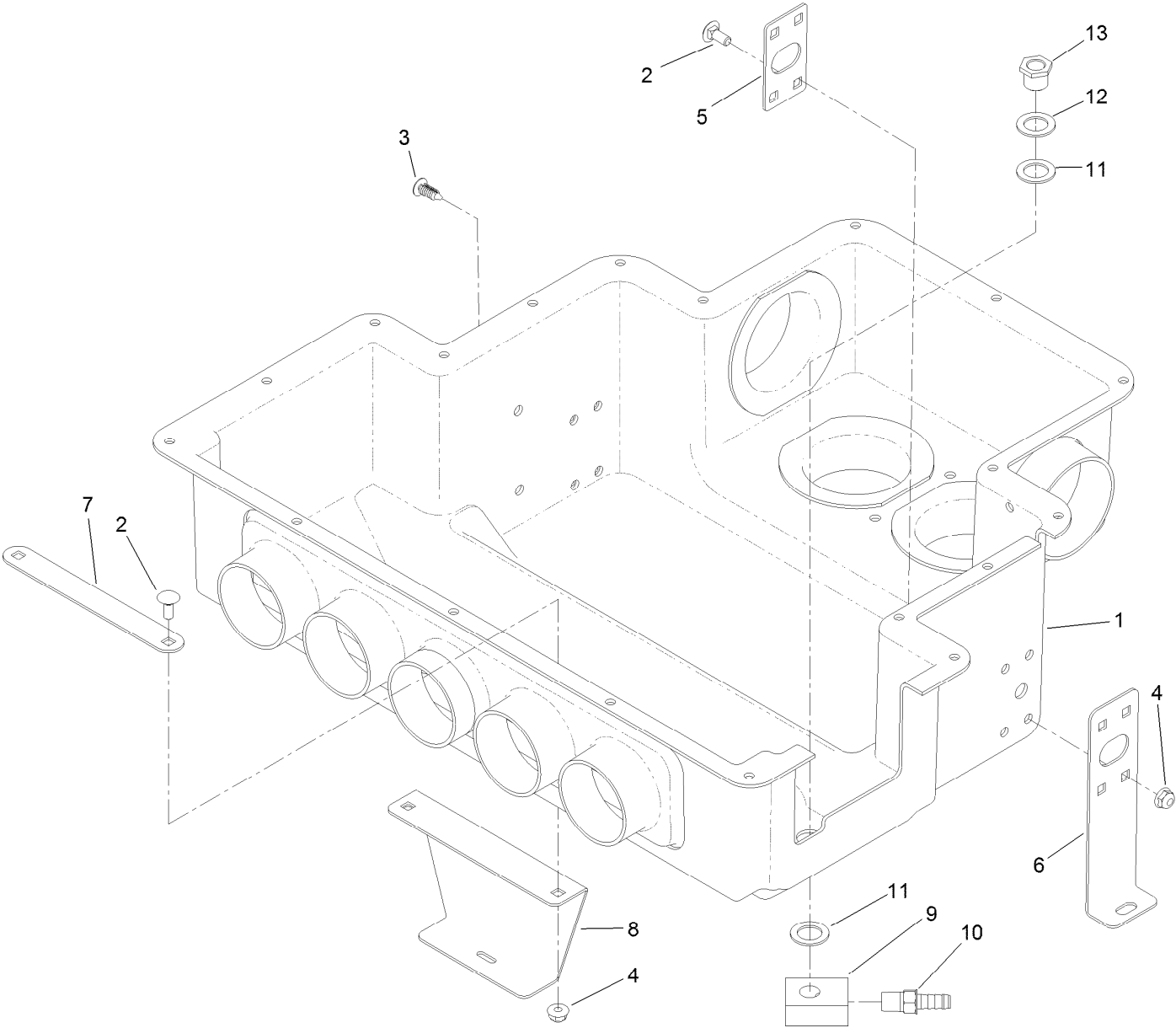
# Heater Core Bracket and Cover Assembly



# Heater Core Bracket and Cover Assembly (continued)

<i>Ref.</i>	<i>Part Number</i>	<i>Qty.</i>	<i>Description</i>	<i>Ref.</i>	<i>Part Number</i>	<i>Qty.</i>	<i>Description</i>
1	130-5812-03	2	Bracket-Mount, Heater Core	5	363-8245	17	Screw-TAP
2	130-5658	6	Gasket-Coil	6	130-5656-03	1	Cover, Bracket-Mount
3	127-9915	1	Core-Heater	7	130-5652	1	Gasket-Mount, Cover Bracket
4	121-8451	1	Fan-Blower				

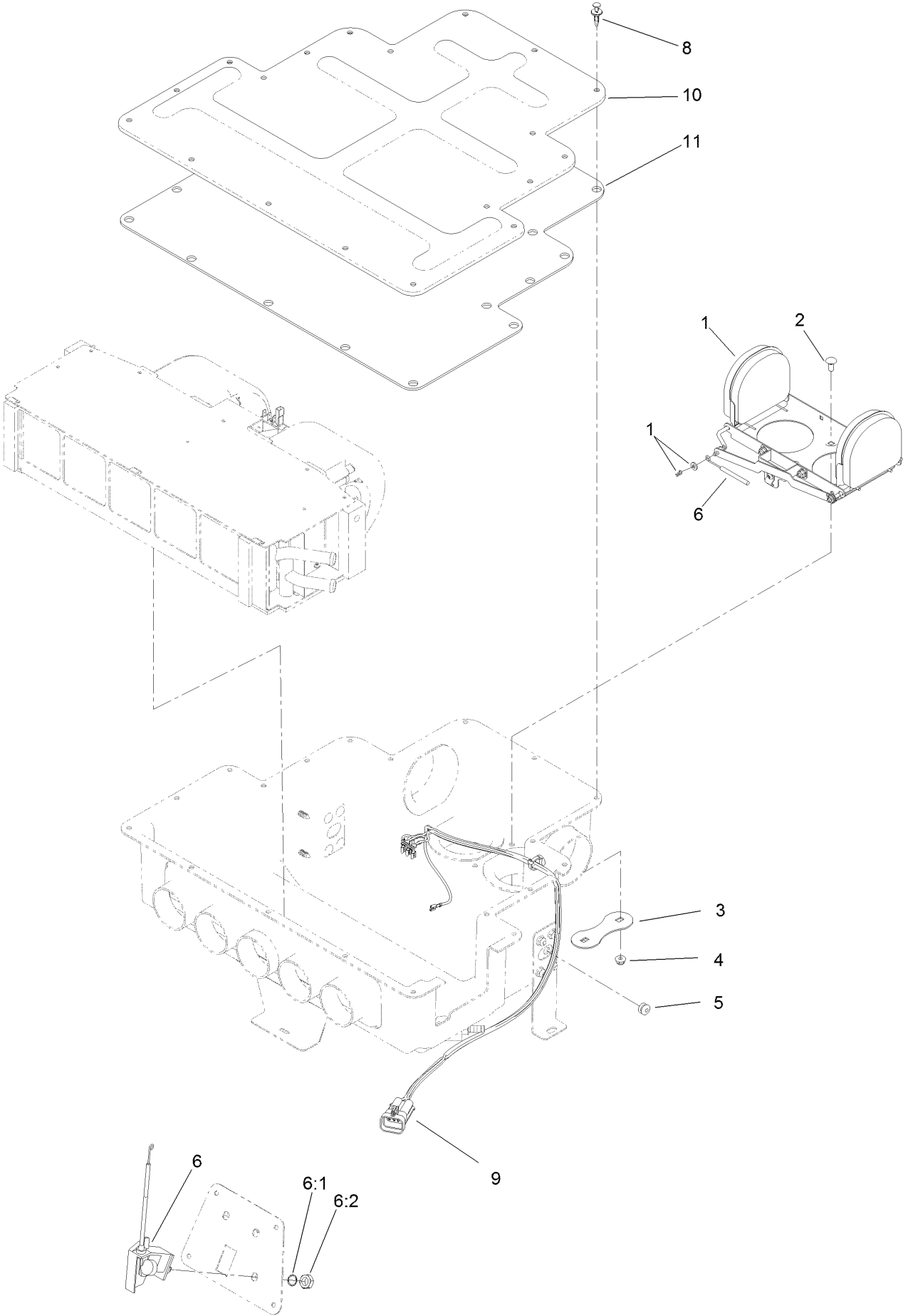
# Heat / AC Mixing Box Housing Assembly



# Heat / AC Mixing Box Housing Assembly (continued)

<i>Ref.</i>	<i>Part Number</i>	<i>Qty.</i>	<i>Description</i>	<i>Ref.</i>	<i>Part Number</i>	<i>Qty.</i>	<i>Description</i>
1	130-5830	1	Housing-Heat/AC	8	130-0554	1	Bracket-Airbox, Center
2	3229-11	10	Screw-CARR	9	130-5601	2	Drain-Lower
3	114-4899	2	Rivet-Push	10	108-0342	2	Fitting-Straight
4	104-7201	10	Nut-HF, NI	11	121-6840	4	Washer-Rubber
5	130-5834	2	Bracket-Support	12	107-3041	2	Washer-Flat
6	130-5821	2	Bracket-Airbox, Side	13	130-0293	2	Drain-Upper
7	125-7504	1	Plate-Backer, Center				

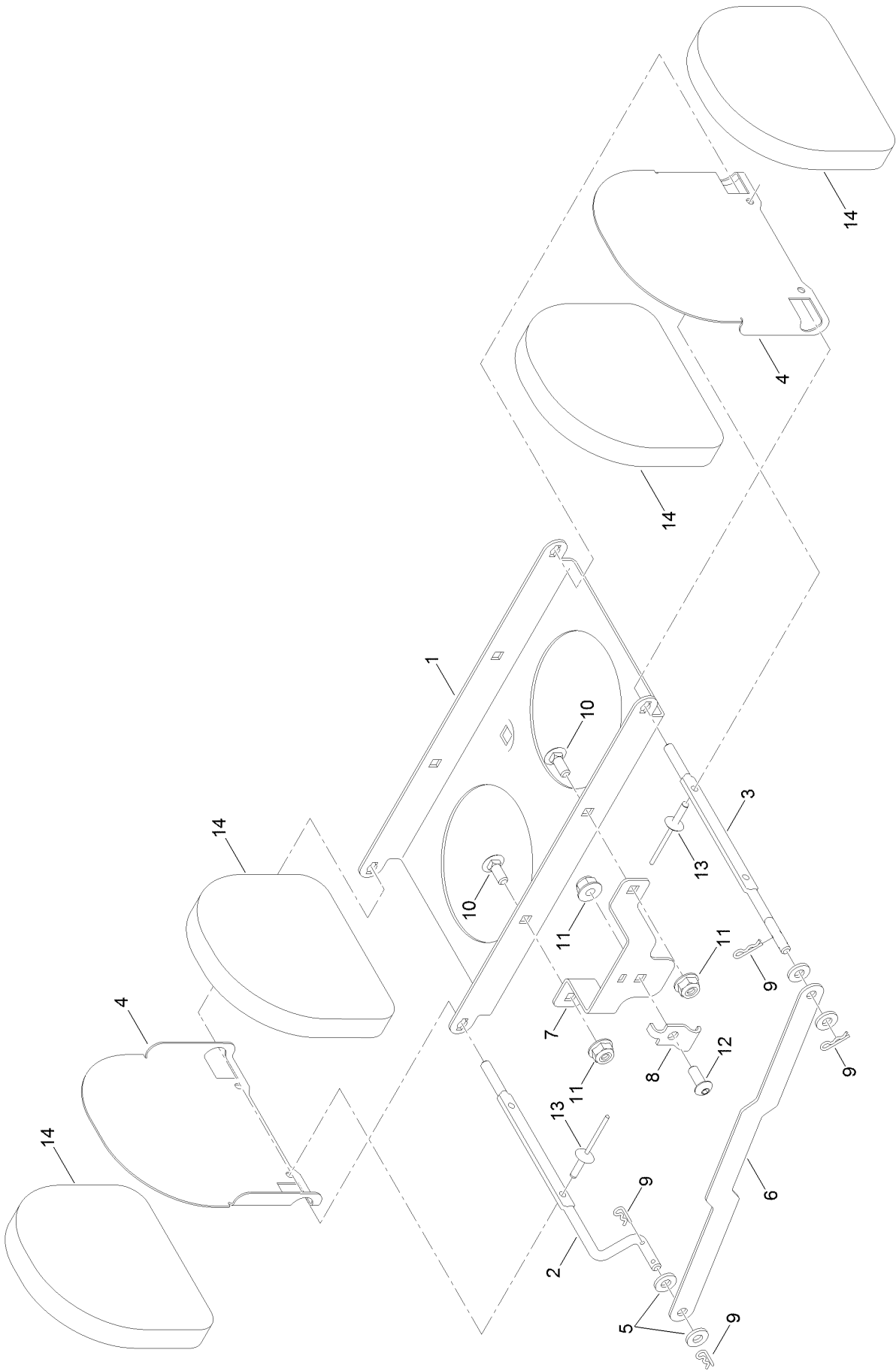
# Air Diverter Assembly



## Air Diverter Assembly (continued)

<i>Ref.</i>	<i>Part Number</i>	<i>Qty.</i>	<i>Description</i>	<i>Ref.</i>	<i>Part Number</i>	<i>Qty.</i>	<i>Description</i>
1	121-8369	1	Air Diverter ASM	6:2	3220-4	1	Nut-Jam
2	3229-11	2	Screw-CARR	8	125-9622	19	Rivet-Blind
3	121-8491	1	Plate-Support	9	122-0153	1	Harness-Wire, Heat/AC Blower
4	104-7201	2	Nut-HF, NI	10	121-8449	1	Housing-Ventilation, Upper
5	125-7528	1	Grommet-Cable	11	130-5614	1	Insulation-Cover
6	125-9678	1	Control-Rotary, Linear				
6:1	3254-20	1	Washer-Lock, Int				

# Air Diverter Assembly No. 121-8369



## Air Diverter Assembly No. 121-8369 (continued)

<i>Ref.</i>	<i>Part Number</i>	<i>Qty.</i>	<i>Description</i>	<i>Ref.</i>	<i>Part Number</i>	<i>Qty.</i>	<i>Description</i>
1	125-9697	1	Base-Mount	8	121-8256	1	Clamp-Conduit
2	121-8381	1	Shaft-Baffle, RH	9	108-2992	4	Pin-Hair
3	121-8382	1	Shaft-Baffle, LH	10	1-807513	2	Bolt-CARR
4	125-9698	2	Baffle-Air	11	120-4578	3	Nut-HF
5	3256-51	4	Washer-Flat	12	115-9830	1	Screw-HSBH
6	125-9696	1	Link-Baffle	13	3290-271	4	Rivet-Pop
7	121-8374	1	Mount-Cable	14	125-9699	4	Damper-Foam

**Notes:**

**Notes:**



**Count on it.**