



MODEL NO. 41105-30001 & UP	PARTS MANUAL
<b>MULTI-PRO 1100 VEHICLE</b>	



## SAFETY AND INSTRUCTION DECALS

The following decals are installed on the machine. If any become damaged or illegible, replace it. The decal part number is listed below.

<b>CAUTION</b>	<ul style="list-style-type: none"> <li>• TO AVOID PERSONAL INJURY KEEP ALL SHIELDS IN PLACE.</li> <li>• DISENGAGE AND SHUT OFF ENGINE BEFORE SERVICING OR UNCLOGGING MACHINE.</li> <li>• KEEP HANDS, FEET AND CLOTHING AWAY FROM POWER-DRIVEN PARTS.</li> </ul>
	87-0450

#87-0450 Located on top of Engine Air Cleaner

	<p>READ YOUR OPERATOR'S MANUAL FOR OPERATING AND SAFETY INSTRUCTIONS. TO GET A REPLACEMENT MANUAL, SEND MODEL AND SERIAL NUMBERS TO: THE TORO CO., 0111 LYNDALE AVE. S., MPLS, MN 55420</p> <p style="text-align: right;">85-3090</p>
--	---

#65-3090 Located on Dash Panel, below Steering Column.

<b>WARNING</b>
<p>FAILURE TO OBEY THE SAFETY WARNINGS MAY RESULT IN INJURY TO YOU OR OTHERS.</p> <p>THIS VEHICLE IS OF SUFFICIENT SIZE AND WEIGHT TO CAUSE SERIOUS INJURY IN CASE OF UPSET OR COLLISION.</p> <p>WHILE OPERATING VEHICLE:</p> <ul style="list-style-type: none"> <li>• READ AND UNDERSTAND OPERATOR'S MANUAL LOCATED BEHIND SEAT.</li> <li>• DO NOT EXCEED PAYLOAD CAPACITY OF VEHICLE AND/OR TORO ACCESSORIES OR PERMIT PASSENGER ANY PLACE ON VEHICLE EXCEPT SEAT.</li> <li>• USE HAND HOLDS WHERE APPLICABLE.</li> <li>• PLACE HEAVY LOADS FORWARD OF REAR AXLE. UNBALANCED OR TOP HEAVY LOADS CAN CAUSE UPSET.</li> </ul> <p>WHILE OPERATING VEHICLE:</p> <ul style="list-style-type: none"> <li>• REMAIN SEATED AND USE BOTH HANDS FOR STEERING.</li> <li>• KEEP ARMS AND LEGS WITHIN VEHICLE BODY.</li> <li>• AVOID SUDDEN STARTS AND STOPS.</li> <li>• SUDDEN SHARP TURNS CAN CAUSE UPSET.</li> <li>• REGULATE SPEED TO MEET ROAD AND WEATHER CONDITIONS.</li> <li>• DO NOT OPERATE IN OR NEAR AN EXPLOSIVE ENVIRONMENT.</li> <li>• IF A MALFUNCTION OCCURS, CEASE OPERATION. DO NOT OPERATE VEHICLE UNTIL CONDITION IS CORRECTED.</li> </ul> <p>BEFORE LEAVING VEHICLE:</p> <ul style="list-style-type: none"> <li>• TURN IGNITION TO "OFF" POSITION, REMOVE KEY.</li> <li>• APPLY PARKING BRAKE; PARKING BRAKE IS NOT AUTOMATICALLY APPLIED.</li> </ul>
87-0580

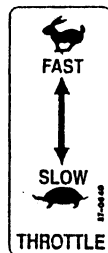
#87-0580 Located on floor board, behind Console.

<b>WARNING</b>
<p>AVOID POSSIBLE INJURY OR DEATH FROM A MACHINE RUNAWAY.</p> <ul style="list-style-type: none"> <li>• DO NOT START ENGINE BY SHORTING ACROSS STARTER TERMINALS. MACHINE WILL START IN GEAR AND MOVE IF NORMAL STARTING CIRCUITRY IS BYPASSED.</li> <li>• START ENGINE ONLY FROM OPERATOR'S SEAT WITH TRANSMISSION IN NEUTRAL OR PARK.</li> <li>• NEVER START ENGINE WHILE STANDING NEXT TO MACHINE.</li> </ul>
87-0430

#87-0430 Located on left-hand side of Seat Support



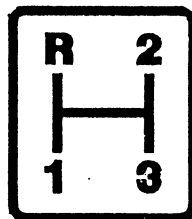
#41174 Located on Seat Support, next to Pump Control Handle.



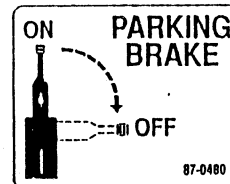
#87-0640 Located on Seat Support, next to Throttle.



#41176 Located on Dash Panel, next to Key Switch.



#41173 Located on right-hand side of Seat Support, next to Gear Shift Lever.



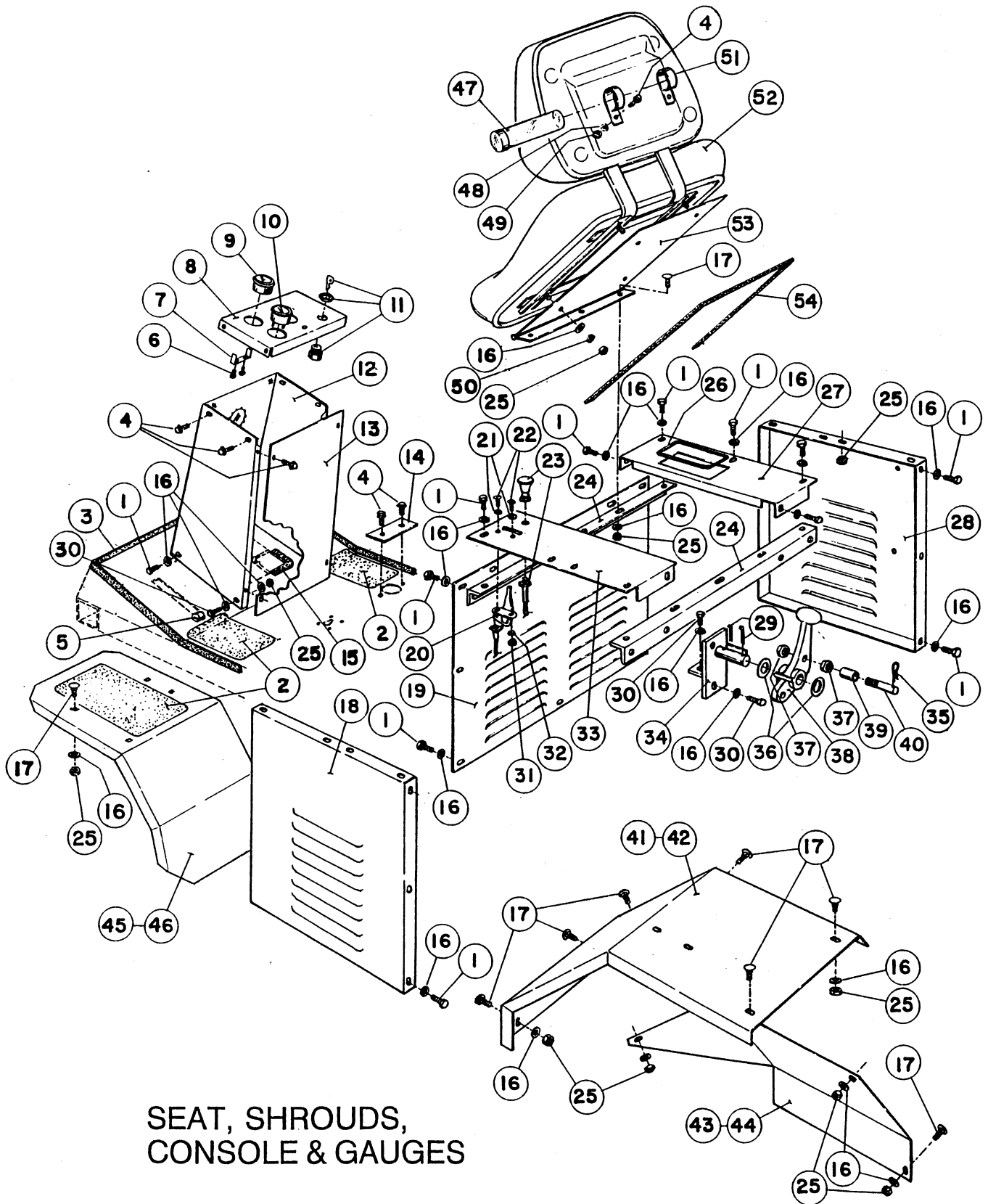
#87-0480 Located on floor board, next to Emergency Brake.



#66-6140 Located on Console Front.

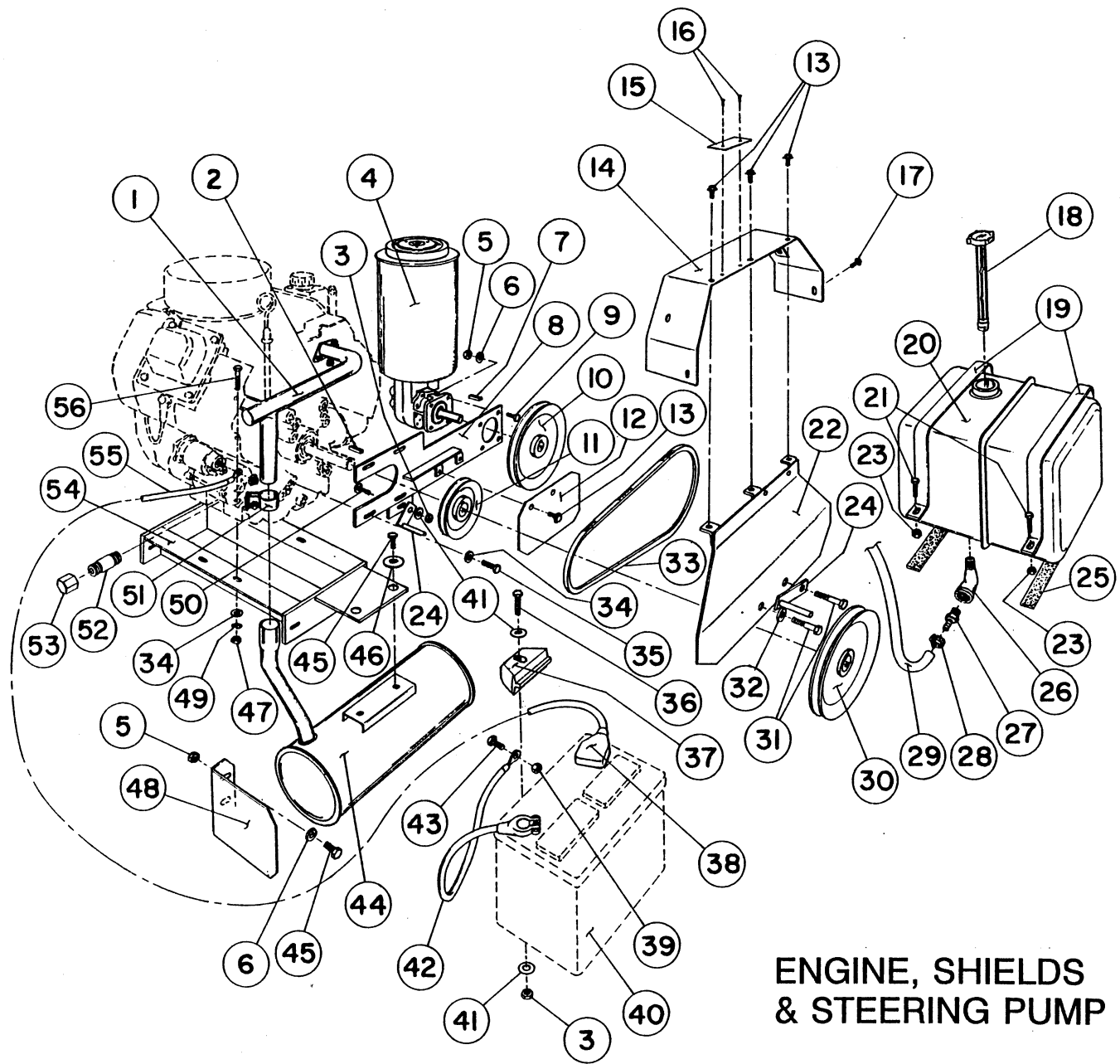


#87-0630, Located on Console Front.



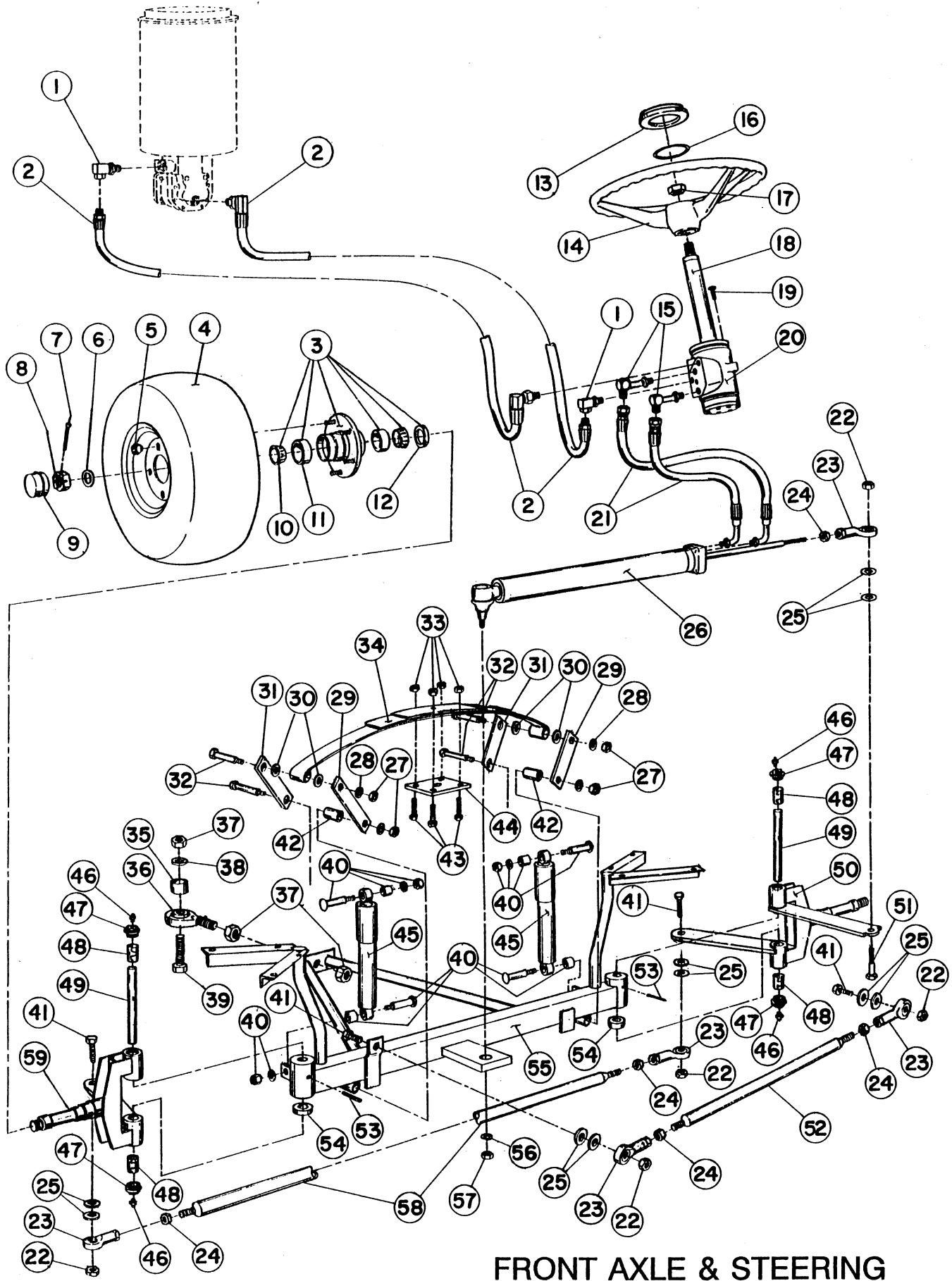
SEAT, SHROUDS,  
CONSOLE & GAUGES

REF	PART NO.	DESCRIPTION	QTY
1	20-24-AGD	Hex Hd. Cap Screw, 5/16 NC x 3/4	25
2	92-0032	Safety Track	4
3	42767	Floor Trim	1
4	34-140-AMVD	Hex Washer Hd., Self-Tap Screw, 1/4 NC x 5/8	12
5	41754	Pedal Stop - Rubber	2
6	34-94-AMVD	Hex Washer Hd. Self-Tap Screw, #10 x 3/8	2
7	41116	Mtg. Bracket - Amp Gauge	1
8	92-3500	Dash Assy.	1
9	41115	Amp Gauge	1
10	66-2950	Hour Meter	1
11	31872	Key Switch	1
12	92-0484	Console Wrapper Assy	1
13	40145	Console Cover - Rear	1
14	40121	Cylinder Cover Plate	1
15	92-3627	Hole Trim	1
16	24-10-BD	Flatwasher, 5/16 S.A.E.	62
17	25-25-AGD	Carriage Bolt, 5/16 NC x 3/4	25
18	42972	Side Panel - Left Hand	1
19	41680	Front Panel	1
20	41696	Throttle Control & Knob Assy	1
21	24-7-BD	Flatwasher, #10	2
22	34-99-AMVD	Hex Washer Hd, Self-Tap Screw, #10 NC x 3/4	2
23	41697	Choke Control	1
24	41684	Seat Box Angle Assy	2
25	22-12-AJD	Hex Nut, 5/16 NC	36
26	41136	Transmission Trim	1
27	41682	Top Panel - Right Hand	1
28	41753	Side Panel - Right Hand	1
29	28-19-D	Cotter Pin, 1/8 x 1-1/4	2
30	20-26-AGD	HHCS, 5/16 NC x 1"	3
31	22-9-AJD	Hex Nut, #10 NC	2
32	23-7-GD	Lock Washer, #10	2
33	41683	Top Panel - Left Hand	1
34	41690	Handle Brkt. Assy	1
35	328967	Hair Pin Cotter	1
36	358042	Flatwasher	2
37	22-13-AJKD	Hex Nut, 3/8 NC	2
38	561555	Pump Handle	1
39	92-3835	Spacer	1
40	92-3834	Handle Pin	1
41	42975	Rear Fender - L.H. (Shown)	1
42	42973	Rear Fender - R.H.	1
43	42976	Inner Fender - L.H. (Shown)	1
44	42974	Inner Fender - R.H.	1
45	42763	Front Fender - L.H.	1
46	42762	Front Fender - R.H.	1
47	42559	Storage Tube - Manuals	1
48	24-9-AD	Flatwasher, 1/4	2
49	22-11-AJFD	Lock Nut, 1/4 NC	2
50	23-10-GD	Lock Washer, 5/16	4
51	42560	Tube Mounting Bracket	2
52	40554	Seat Assembly	1
53	41686	Seat Panel Assy	1
54	41689	Seat Trim	1



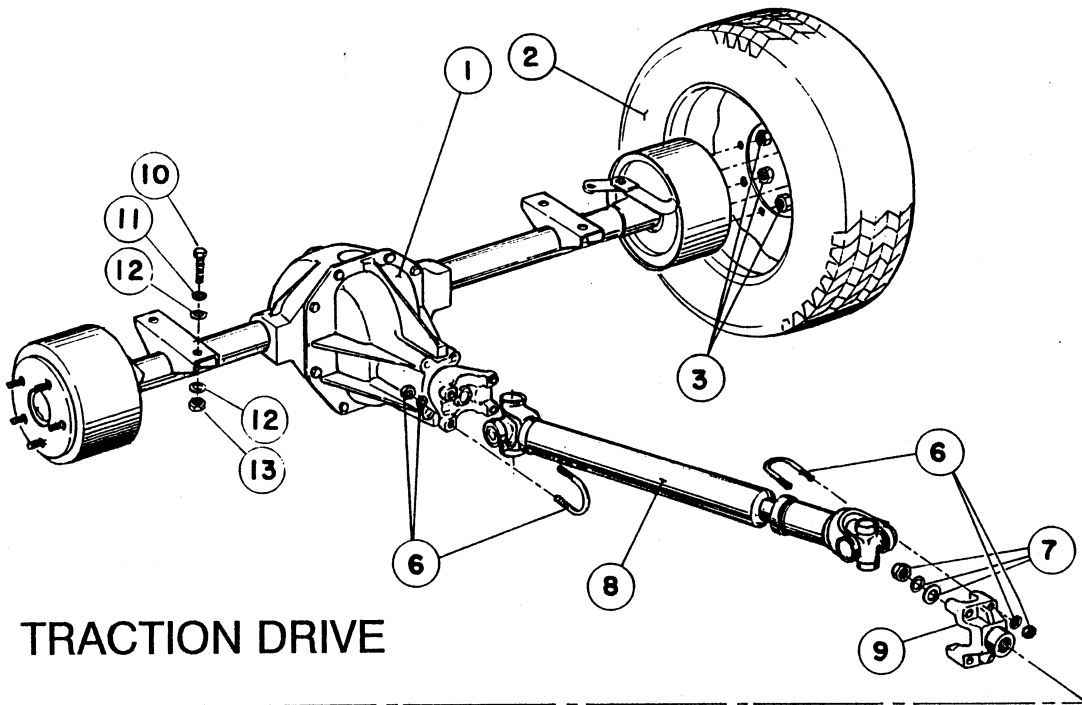
**ENGINE, SHIELDS  
& STEERING PUMP**

REF	PART NO.	DESCRIPTION	QTY
1	92-0423	Header Pipe Assy	1
2	314233	Square Key, 1/4 x 1-1/2"	1
3	22-12-AJD	Hex Nut, 5/16 NC	2
4	92-0347	Pump w/Reservoir	1
5	22-12-AJFD	Hex Lock Nut, 5/16 NC	6
6	24-10-BD	Flatwasher, 5/16 S.A.E.	6
7	92-3876	Square Key	1
8	92-3510	Pump Mounting Plate Assy	1
9	20-26-AGD	HHCS, 5/16 NC x 1"	4
10	92-0487	Power Steering Pulley, 6"	1
11	92-0488	Power Steering Pulley, 4"	1
12	92-3621	Belt Shield	1
13	34-140-AMVD	Hex Washer Hd Self-Tapping Screw 1/4 NC x 5/8"	5
14	92-3619	Heat Deflector Assy	1
15	80-9350	Hot Surface Plate	1
16	42451	Pop Rivet	2
17		Metric Screw (f/w Engine)	4
18	41117	Fuel Cap & Gauge	1
19	431366	Fuel Tank Strap	2
20	419018	Fuel Tank Assy	1
21	20-6-AD	HHCS, 1/4 NC x 1-1/4"	4
22	92-3624	Heat Shield Assy	1
23	22-11-AJFD	Hex Lock Nut, 1/4 NC	4
24	92-3522	Belt Guide Assy	2
25		Armaflex Strip	NS
26	9900	90° Street Elbow	1
27	26291	Hose Barb	1
28	97406	Hose Clamp	2
29	92-3626	Hose, Tank to Filter	1
30	40022	Engin Pulley - Sprayer	1
31	20-71-AGD	HHCS, 7/16 NC x 2-1/4"	2
32	24-12-AD	Flatwasher, 7/16	1
33	92-0491	Power Steering Belt	1
34	24-11-AD	Flatwasher, 3/8	8
35	20-47-AGD	HHCS, 3/8 NC x 1"	4
36	20-29-AGD	HHCS, 5/16 NC x 1-3/4"	1
37	66-2490	Battery Retainer	1
38	41138	Protective Cap (f/w 92-0031 Cable)	1
39	22-13-AJD	Hex Nut, 3/8 NC	1
40		Battery, 12 Volt	1
41	24-10-AD	Flatwasher, 5/16	3
42	99060	Battery Ground Cable	1
43	20-45-AD	HHCS, 3/8 NC x 3/4"	1
44	92-0422	Muffler Assy	1
45	20-24-AGD	HHCS, 5/16 NC x 3/4"	4
46	356303	Flatwasher	2
47	22-13-BJD	Hex Nut, 3/8 NF	4
48	92-0499	Heat Deflector Plate	1
49	23-11-GD	Lock Washer, 3/8	4
50	25-25-AGD	Carriage Bolt, 5/16 NC x 3/4"	1
51	92-0424	Muffler Clamp	1
52	92-3647	Pipe Nipple, 3/8 NPT x 2"	1
53	92-3648	Oil Drain Cap	1
54	92-0497	Engine Base Assy	1
55	92-0031	Battery Cable & Cap	1
56	20-50-BGD	HHCS, 3/8 NF x 1-3/4"	4

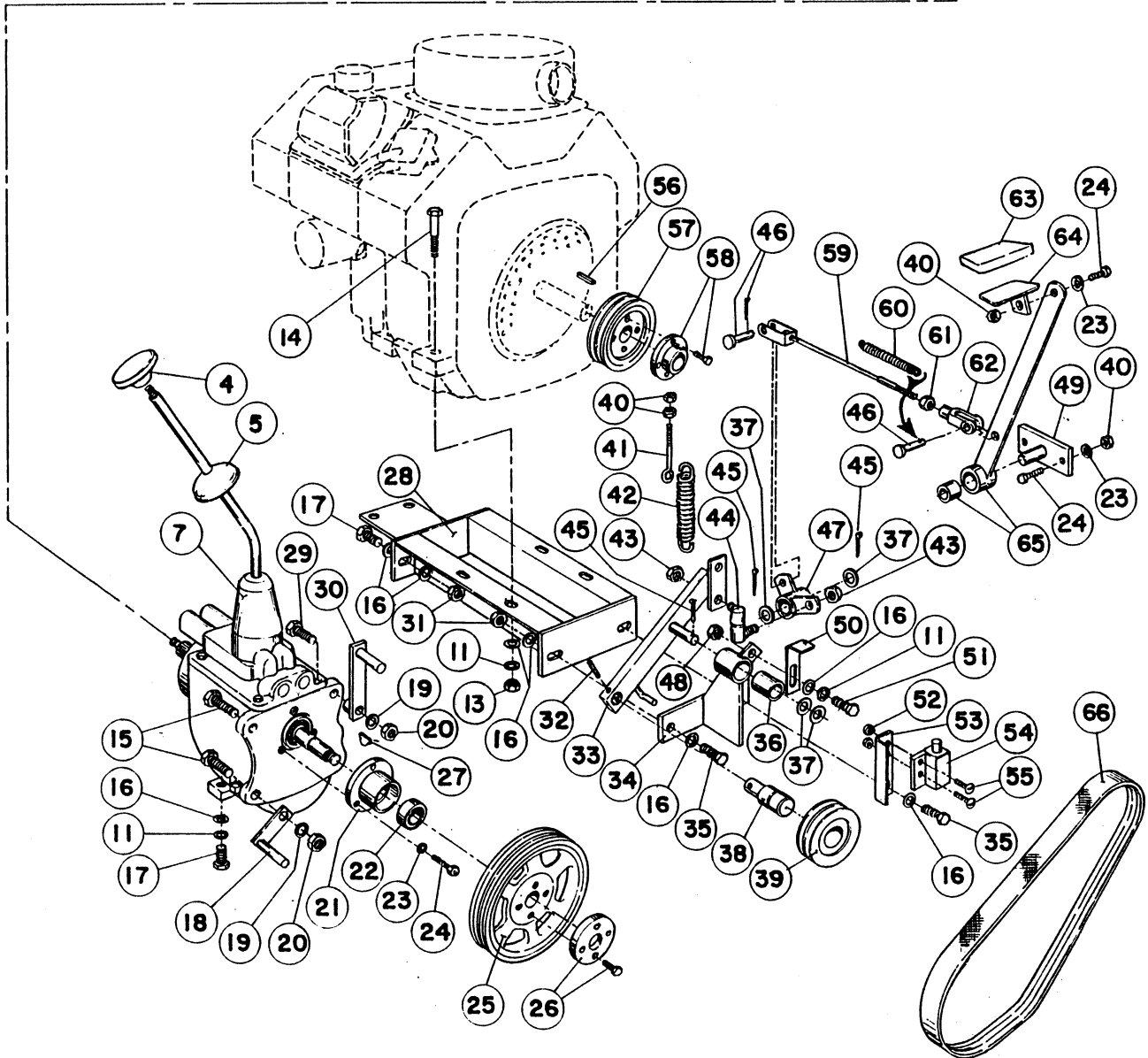


FRONT AXLE & STEERING

REF	PART NO.	DESCRIPTION	QTY
1	92-3508	90° Swivel Adapter	2
2	92-3507	Hose Assy - Unit to Pump	2
3	40085	Hub Assy	2
4	404504	Front Wheel & Tire Assy	2
	404683	Front Wheel Rim	2
	330802	Front Tire	2
5	321077	Wheel Nut (f/w Hub Assy)	10
6	358042	Special Flat Washer	2
7	28-20-C	Cotter Pin, 1/8 x 1-1/2	2
8	22-18-BJLD	Hex Slotted Nut, 3/4 NF	2
9	40438	Dust Cap (f/w Hub Assy)	2
10	40440	Cone (f/w Hub Assy)	4
11	40439	Cup (f/w Hub Assy)	4
12	41321	Seal (f/w Hub Assy)	2
13	41126	Cap	1
14	41125	Steering Wheel	1
15	92-3505	90° Adapter	2
16	41127	O-Ring	1
17	92-3513	Metric Hex Nut, M16 x 1.5 Thrd	1
18	92-3503	Steering Column	1
19	42605	Hex Hd. Metric Screw, M6 x 1 Thrd x 16 mm	4
20	92-3502	Steering Control Unit	1
21	92-3506	Hose Assy - Power Steering	2
22	22-15-BJFD	Lock Nut, 1/2 NF	5
23	522087	Rod End, 1/2 NF	5
24	22-15-BJKD	Hex Jam Nut, 1/2 NF	5
25	24-13-AD	Flat Washer, 1/2	10
26	027328	Hydraulic Cyl. Ass'y	1
27	22-14-AJD	Hex Nut, 7/16 NC	4
28	23-12-GD	Lock Washer, 7/16	4
29	42777	Shackle - Front	2
30	24-14-AD	Flat Washer, 9/16	4
31	42776	Shackle - Rear	2
32	42599	Shoulder Bolt	4
33	22-13-AJFD	Lock Nut, 3/8 NC	4
34	42588	Spring - Leaf	1
	42589	Bushing (f/w Spring)	2
35	42772	Spacer Tube	1
36	522085	Rod End, 3/4 NF	1
37	22-18-BJC	Hex Nut, 3/4 NF	3
38	23-17-GD	Lock Washer, 3/4	1
39	20-143-BGD	HHCS, 3/4 NF x 2-3/4"	1
40	42691	Bolt Assy	4
41	20-88-BGD	HHCS, 1/2 NF x 1-3/4 (Grade 5)	4
42	42592	Bushing - Shackle	2
43	20-51-AGD	HHCS, 3/8 NC x 2" (Grade 5)	4
44	42575	Spring Mounting Plate	1
45	42690	Shock Absorber	2
46	361011	Grease Fitting	4
47	539048	Special Plug	4
48	728062	King Pin Bearing	4
49	40081	King Pin	2
50	92-0421	Yoke Assy (Left Hand)	1
51	20-89-BGD	HHCS, 1/2 NF x 2" (Grade 5)	1
52	42689	Steering Tube Assy	1
53	29-199-C	Spring Pin, 1/4 x 2"	2
54	307358	Thrust Bearing	2
55	92-0418	Front Axle Assy	1
56	23-13-GD	Lock Washer, 1/2	1
57	22-15-BJD	Hex Nut, 1/2 NF	1
58	92-3528	Steering Tube Assy	1
59	40078	Yoke Assy (Right Hand)	1

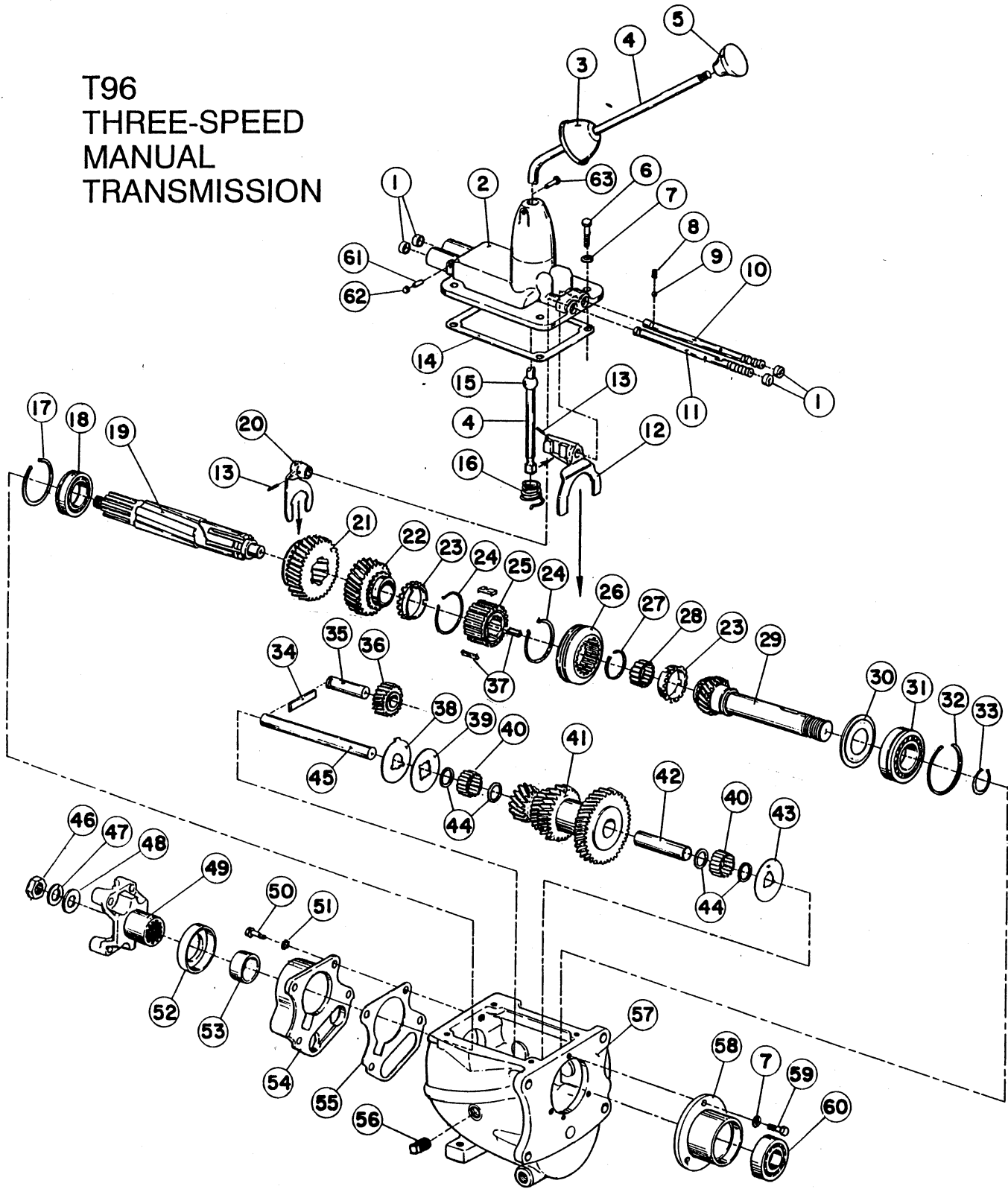


TRACTION DRIVE



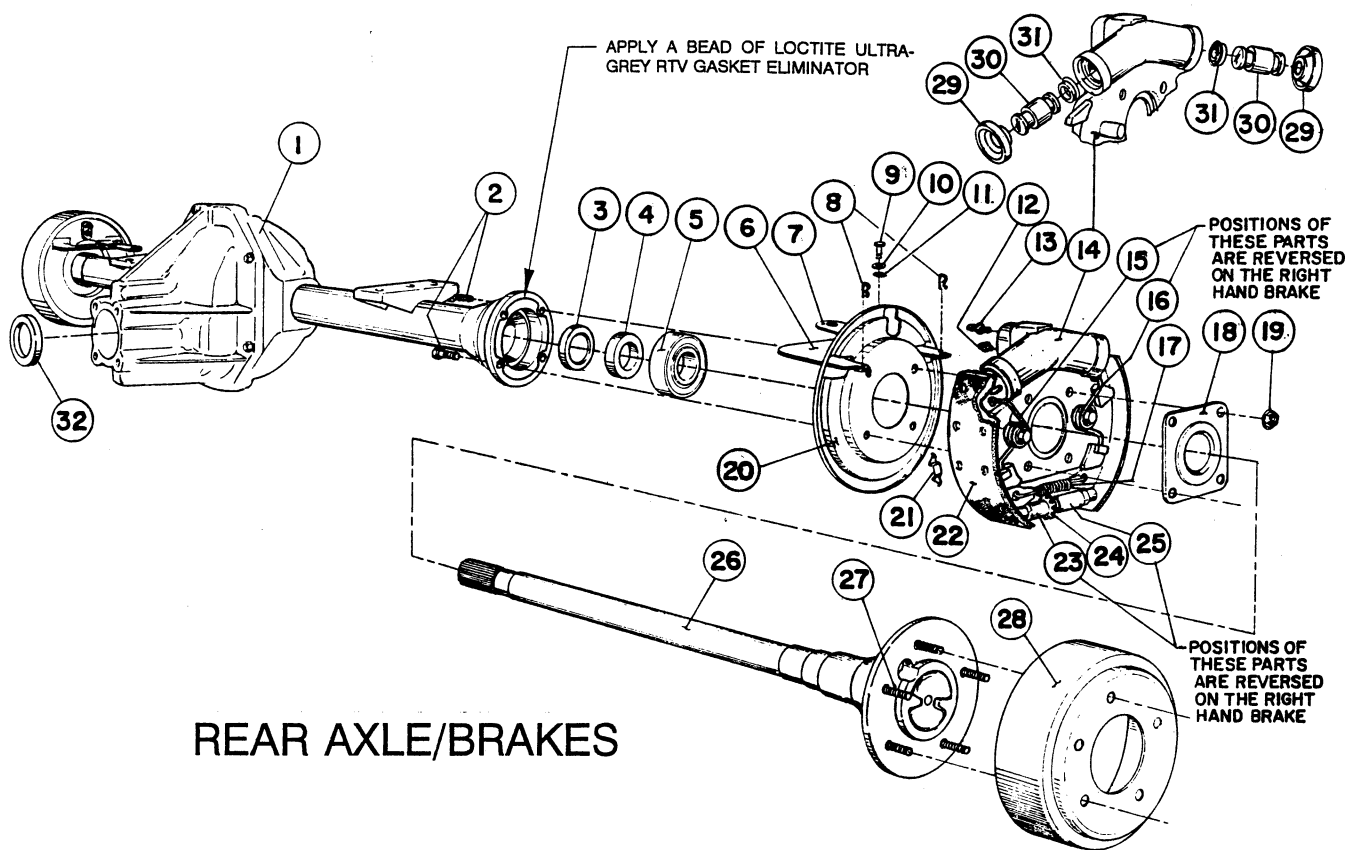
REF	PART NO.	DESCRIPTION	QTY
1	40117	Rear Axle Assy	1
2	42684	Rear Wheel & Tire Assy	2
	42685	Tire (f/w 42684 Assy)	2
	42667	Wheel Rim (f/w 42684 Assy)	2
3	321077	Wheel Nut	10
4	41112	Gear Shift Knob	1
5	7275	Rubber Boot	1
6	40220	U-Bolt Assy	4
7	41004	Transmission (T-96)	1
8	380002	Drive Shaft Assy	1
	41773	Journal & Bearings (f/w 380002)	2
9	41005	Output Yoke - Transmission	1
10	20-48-BGD	HHCS, 3/8 NF x 1-1/4"	4
11	23-11-GD	Lock Washer, 3/8	11
12	24-11-BD	Flat Washer, 3/8 S.A.E.	8
13	22-13-BJD	Hex Nut, 3/8 NF	8
14	20-50-BGD	HHCS, 3/8 NF x 1-3/4"	4
15	20-68-AGD	HHCS, 7/16 NC x 1-1/2"	3
16	24-11-AD	Flat Washer, 3/8	15
17	20-47-AGD	HHCS, 3/8 NC x 1"	4
18	40547	Belt Guide Assy	1
19	23-12-GD	Lock Washer, 7/16	4
20	22-14-AJD	Hex Nut, 7/16 NC	4
21	92-0013	Bearing Housing	1
22	6610	Transmission Bearing	1
23	23-10-GD	Lock Washer, 5/16	6
24	20-26-AGD	HHCS, 5/16 NC x 1"	6
25	40015	Transmission Pulley, (7.0" P.D.)	1
26	41017	Bushing (15/16" Bore) includes fasteners	1
27	27-28-C	Woodruff Key (#809)	1
28	41662	Engine Base Assy	1
29	20-71-AGD	HHCS, 7/16 NC x 2-1/4"	1
30	41700	Belt Guide Assy	1
31	22-13-AJFD	Lock Nut, 3/8 NC	4
32	29-108-C	Spring Pin, 3/16 x 1"	1
33	41654	Idler Assy	1
34	41651	Clutch Pivot Assy	1
35	20-50-AGD	HHCS, 3/8 NC x 1-3/4"	2
36	307283	Bearing (f/w Clutch Pivot Assy)	1
37	358042	Special Washer	7
38	92-0056	Bearing	1
39	40018	Idler Pulley	1
40	22-12-AJD	Hex Nut, 5/16 NC	5
41	92032	Eye Bolt	1
42	5206	Clutch Spring	1
43	22-13-BJFD	Lock Nut, 3/8 NF	2
44	41703	Ball Joint Assy	1
	41704	Ball Joint (f/w 41703)	2
	41705	Threaded Rod, 3/8 NF (f/w 41703)	1
45	28-19-D	Cotter Pin, 1/8 x 1-1/4	3
46	40258	Clevis Pin & Cotter Assy	2
47	41658	Rocker Arm Assy	1
	307276	Bearing (f/w 41658 Assy)	1
	361015	Grease Fitting	1
48	22-13-AJD	Hex Nut, 3/8 NC	1
49	42754	Pivot Assy	1
50	40538	Belt Guide	1
51	20-47-AGD	HHCS, 3/8 NC x 1"	1
52	22-9-AJFD	Lock Nut, #10 NC	2
53	41664	Clutch Switch Mtg. Brkt	1
54	41103	Safety Interlock Switch	1
55	34-99-AMVD	Hex Washer Hd. Self-Tap Screw, #10 NC x 3/4"	2
56	314233	Square Key, 1/4"	1
57	40016	Engine Pulley (4.0" P.D.)	1
58	40014	Engine Bushing (1.0" Bore)	1
59	41744	Clutch Cable Assy	1
60	41469	Spring	1
61	22-12-BJKD	Hex Jam Nut, 5/16 NF	1
62	40019	Clevis, 5/16 NF	1
63	42719	Pedal Pad	1
64	42716	Pedal Mtg. Brkt	1
65	40239	Clutch Arm Assy	1
	307276	Bearing (f/w Clutch Arm Assy)	1
66	41679	Vehicle Drive Belt	1

T96  
THREE-SPEED  
MANUAL  
TRANSMISSION



**Note:** Apply an RTV silicone sealant between the Transmission Case (57) and the Bearing Retainer (58). Also, use sealant on threads of the Cap Screws (59).

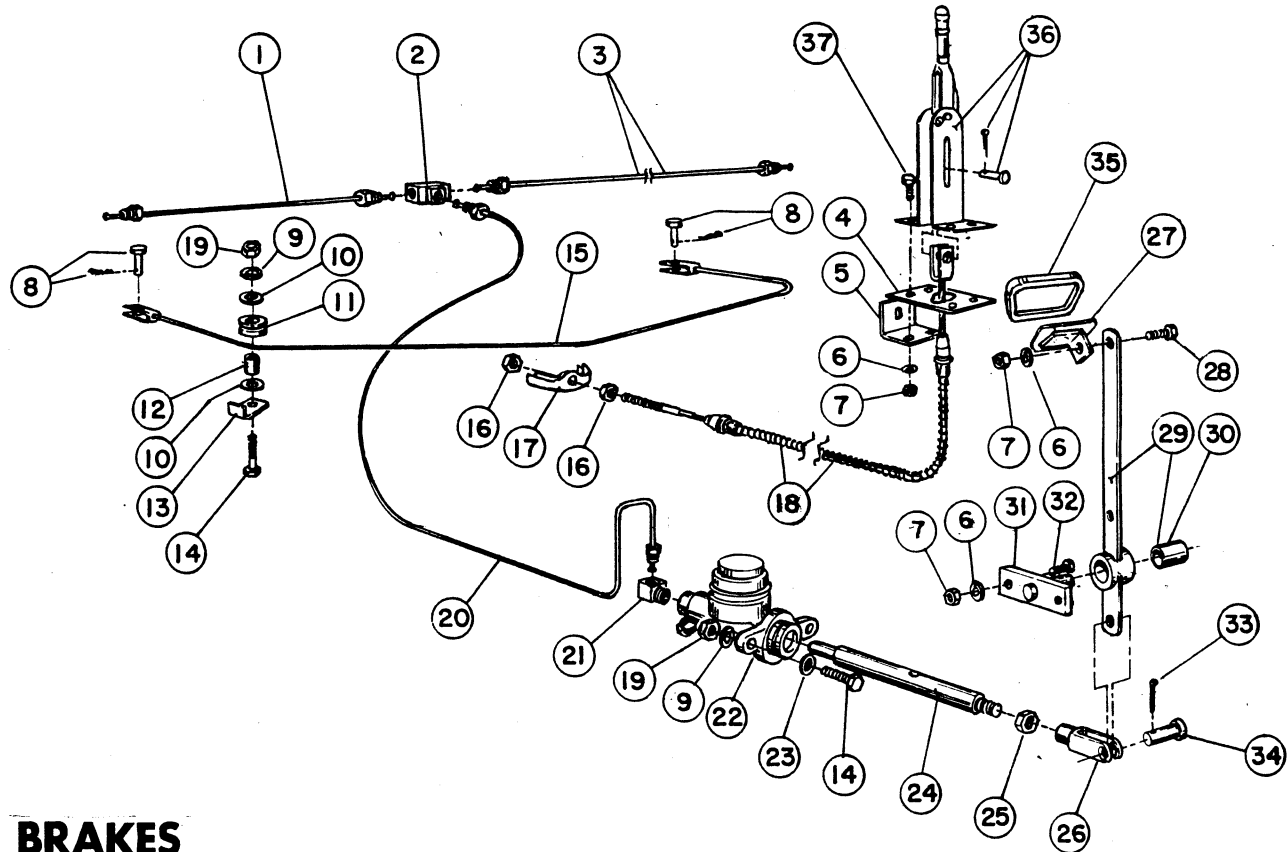
REF	PART NO.	DESCRIPTION	QTY
1	41032	Shift Rail Cap	4
2	41033	Top Cover	1
3	7275	Rubber Boot	1
4	41034	Shift Lever	1
5	41112	Knob	1
6	20-24-AGD	HHCS 5/16 NC x 3/4	4
7	23-10-GD	Lock Washer, 5/16	7
8	27674	Poppet Spring	2
9	7257	Steel Ball	2
10	41039	Shift Rail (High & Intermediate)	1
11	41040	Shift Rail (Low & Reverse)	1
12	41041	Shift Fork (High & Intermediate)	1
13	41042	Gear Shift Fork Pin	2
14	41043	Top Cover Gasket	1
15	41044	Fulcrum Ball	1
16	41045	Control Lever Spring	1
17	41046	Snap Ring	AR
18	41047	Rear Bearing	1
19	41048	Main Shaft	1
20	41049	Shift Fork (Low & Reverse)	1
21	41050	Low & Reverse Gear	1
22	41051	Second Gear & Bushing Assembly	1
	41052	Second Gear Bushing (f/w Ref. #22)	1
23	41053	Blocking Ring	2
24	41054	Syncro Spring	2
25	41055	Clutch Hub	1
26	41056	Clutch Sleeve	1
27	9302	Snap Ring - Clutch Hub	1
28	7290	Roller Set (13)	1
29	7288	Input Shaft	1
30	41057	Oil Baffle	1
31	41058	Front Bearing	1
32	41059	Snap Ring	AR
33	41060	Snap Ring	AR
34	41061	Lock Plate	1
35	41062	Reverse Idler Shaft	1
36	41063	Reverse Gear & Bushing Assembly	1
	41064	Reverse Gear Bushing (f/w Ref. #36)	1
37	41065	Shifting Plate	3
38	41066	Thrust Washer	1
39	41067	Rear Thrust Washer	1
40	9304	Cluster Roller Bearings (40)	2
41	41068	Countershaft Gear	1
42	41069	Bearing Spacer	1
43	41070	Front Thrust Washer	1
44	9301	Bearing Spacer	4
45	41071	Countershaft	1
46	41072	Rear Nut - Mainshaft	1
47	41073	Lock Washer - Mainshaft	1
48	41074	Flat Washer - Mainshaft	1
49	41005	Output Yoke	1
50	20-64-AGD	HHCS, 7/16 NC x 3/4	4
51	33-12-GD	Lock Washer, 7/16	4
52	41077	Rear Seal	1
53	41082	Mainshaft Spacer	1
54	41078	Rear Bushing Retainer	1
55	41079	Rear Bearing Retainer Gasket	1
56	41080	Pipe Plug	1
57	41081	Transmission Case	NS
58	92-0013	Front Bearing Retainer	1
59	20-26-AGD	HHCS, 5/16 NC x 1"	3
60	6610	Bearing	1
61	41037	Interlock Plunger	1
62	41038	Taper Plug	1
63	40604	Control Housing Pin	1



## REAR AXLE/BRAKES

REF	PART NO.	DESCRIPTION	QTY
1	40117	Rear Axle Assy	1
2	40452	Hex Hd Bolt	8
3	40455	Oil Seal	2
4	40454	Bearing Retainer Ring	2
5	40453	Bearing Assembly	2
6	40464	Strut Assembly	2
7	40468	Lever - Parking Brake	2
8	40474	Retainer - Parking Brake Lever Pin	4
9	40467	Pin	2
10	40466	Spring Washer - Antirattle	2
11	40465	Retainer - Parking Brake Lever Pin	2
12	41487*	Seat - Tube	2
13	40460	Screw - Bleeder	2
14	40462*	Torque Spider - Finished	2
15	40471	Spring - Shoe Return (L.H.)	2
16	40472	Spring - Shoe Return (R.H.)	2
17	40473	Spring Adjusting Screw	2
18	40450	Oil Seal	2
19	40449	Hex Nut	8
20	40475	Dust Shield	2
21	40476	Spring - Shoe Hold Down	4
22	40567	Shoe & Lining Assy - Primary & Secondary	2
23	40458	Socket - Adjusting Screw	2
24	40456	Adjusting Screw	2
25	40457	Pivot Nut - Adjusting Screw	2
26	40445	Flange Axle Shaft - R.H.	1
	40446	Flange Axle Shaft - L.H.	1
27	40447	Wheel Bolt	10
28	40448	Drum	2
29	40459	Boot & Ring Assy - Wheel Cylinder	4
30	40463	Piston - Wheel Cylinder	4
31	40461	Cup - Hydraulic	4
32	42162	Front Transmission Seal	1

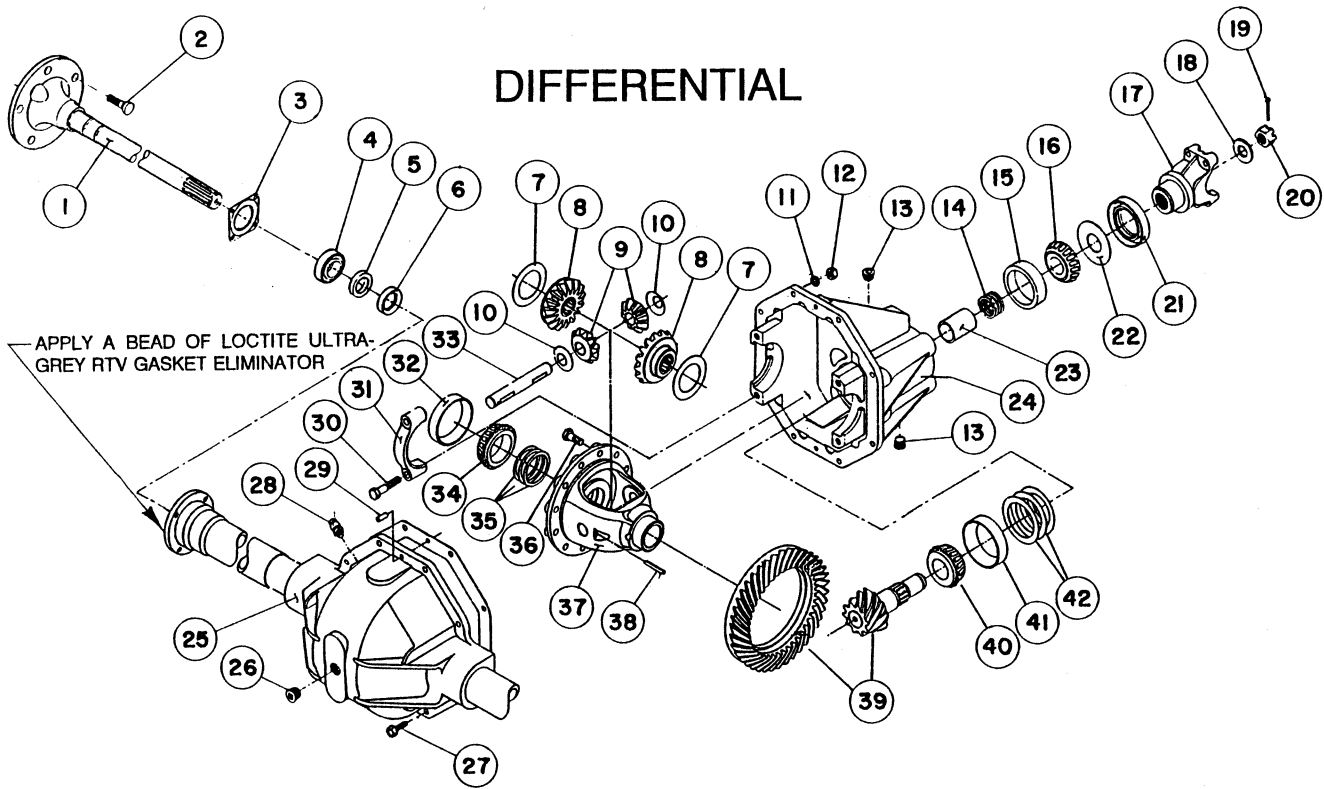
\* These items must be ordered together.



## BRAKES

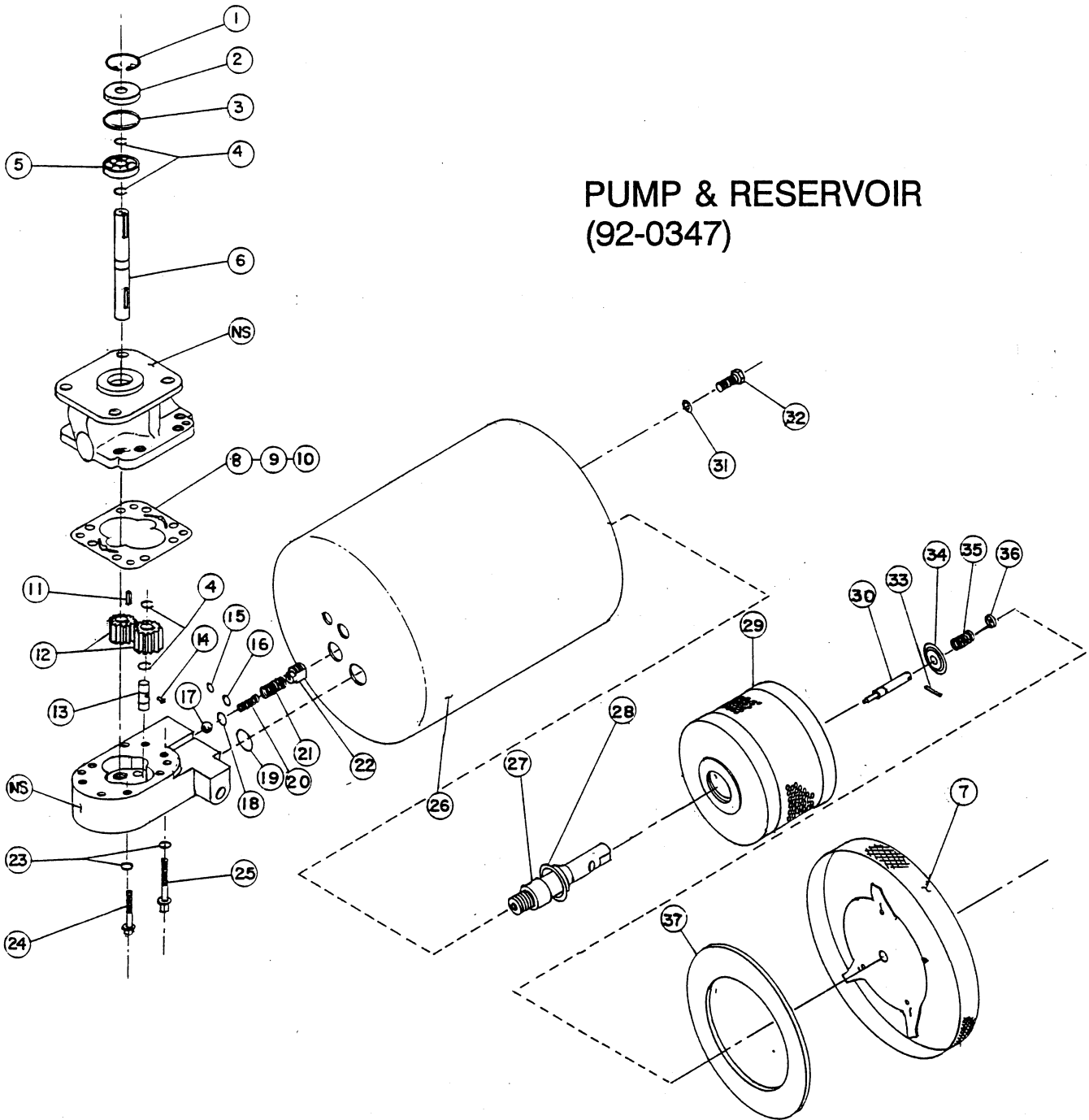
REF	PART NO.	DESCRIPTION	QTY
1	40097	Tube Assembly - Right Hand	1
2	98346	Hydraulic Tee	1
3	98877	Tube Assembly - Left Hand	1
4	41738	Spacer Plate	1
5	41722	Front Panel Bracket	1
6	23-10-GD	Lock Washer, 5/16	7
7	22-12-AJD	Hex Nut, 5/16 NC	7
8	40258	Yoke Pin & Cotter	2
9	23-11-GD	Lock Washer, 3/8	4
10	24-11-BD	Flat Washer, 3/8 S.A.E.	4
11	40099	Rope Guide	2
12	92-0019	Guide Spacer	2
13	92-0020	Guide Lug	2
14	20-49-AGD	Hex Hd Cap Screw, 3/8 NC x 1-1/2	4
15	42321	Cable Assembly (Emergency Brake)	1
16	22-12-BJKD	Hex Jam Nut, 5/16 NF	2
17	28306	Brake Equalizer	1
18	41737	Brake Cable Assembly	1
19	22-13-AJD	Hex Nut, 3/8 NC	4
20	26032	Brake Tube Assembly	1
21	28368	90° Elbow	1
22	99208	Master Cylinder	1
23	24-11-AD	Flat Washer, 3/8	2
24	40094	Brake Rod Assembly	1
25	22-13-BJKD	Hex Jam Nut, 3/8	1
26	92037	Adjustable Clevis	1
27	42716	Pedal Mounting Bracket	1
28	20-26-AD	Hex Hd. Cap Screw, 5/16 NC x 1"	1
29	40238	Brake Arm Assembly	1
30	307276	Bearing (f/w Brake Arm Assembly)	1
31	42754	Pivot Assembly	1
32	20-26-AGD	Hex Hd Cap Screw 5/16 NC x 1"	2
33	28-19-D	Cotter Pin, 18 x 1-1/4	1
34	1126-P	Clevis Pin	1
35	42719	Foot Pad	1
36	30328	Brake Lever Assembly	1
37	20-24-AGD	Hex Hd Cap Screw, 5/16 NC x 3/4	4

# DIFFERENTIAL



REF	PART NO.	DESCRIPTION	QTY
1	40445	Flange Axle Shaft - R.H.	1
	40446	Flange Axle Shaft - L.H.	1
2	40447	Wheel Bolt	10
3	40450	Oil Seal	2
4	40453	Bearing	2
5	40454	Wheel Bearing Retainer Ring	2
6	40455	Oil Seal	2
7	42151	Thrust Washer	2
8	42147	Side Gear	2
9	42148	Pinion Mate	2
10	42152	Thrust Washer	2
11	42173	Lock Washer	8
12	42171	Nut	8
13	42167	Oil Plug	2
14	42176	Shim, .003	AR
	42177	Shim, .005	AR
	42178	Shim, .010	AR
	42179	Shim, .030	AR
15	42156	Bearing Cup	1
16	42155	Bearing Cone	1
17	42169	End Yoke	1
18	42161	Washer	1
19	42159	Cotter Pin	1
20	42160	Nut	1
21	42162	Oil Seal	1
22	42163	Shim	1
23	42164	Spacer	1
24	42154	Carrier (includes #30 & #31)	1
25	42170	Rear Axle Housing	1
26	42172	Pipe Plug	1
27	40452	Housing Bolt	8
28	42175	Vent Assy	1
29	42174	Dowel Pin	2
30	43086	Bearing Cap Screw (f/w #24)	4
31	43085	Bearing Cap (f/w #24)	2
32	42165	Bearing Cup	2
33	42149	Pinion Mate Shaft	1
34	42166	Bearing Cone	2
35	42183	Shim, .003	AR
	42184	Shim, .005	AR
	42185	Shim, .010	AR
	42186	Shim, .030	AR
36	42168	Drive Gear Screw	10
37	42146	Differential Case	1
38	42150	Pinion Lock Pin	1
39	42153	Matched Gear & Pinion Assy	1
40	42157	Bearing Cone	1
41	42158	Bearing Cup	1
42	42180	Shim, .003	AR
	42181	Shim, .005	AR
	42182	Shim, .010	AR

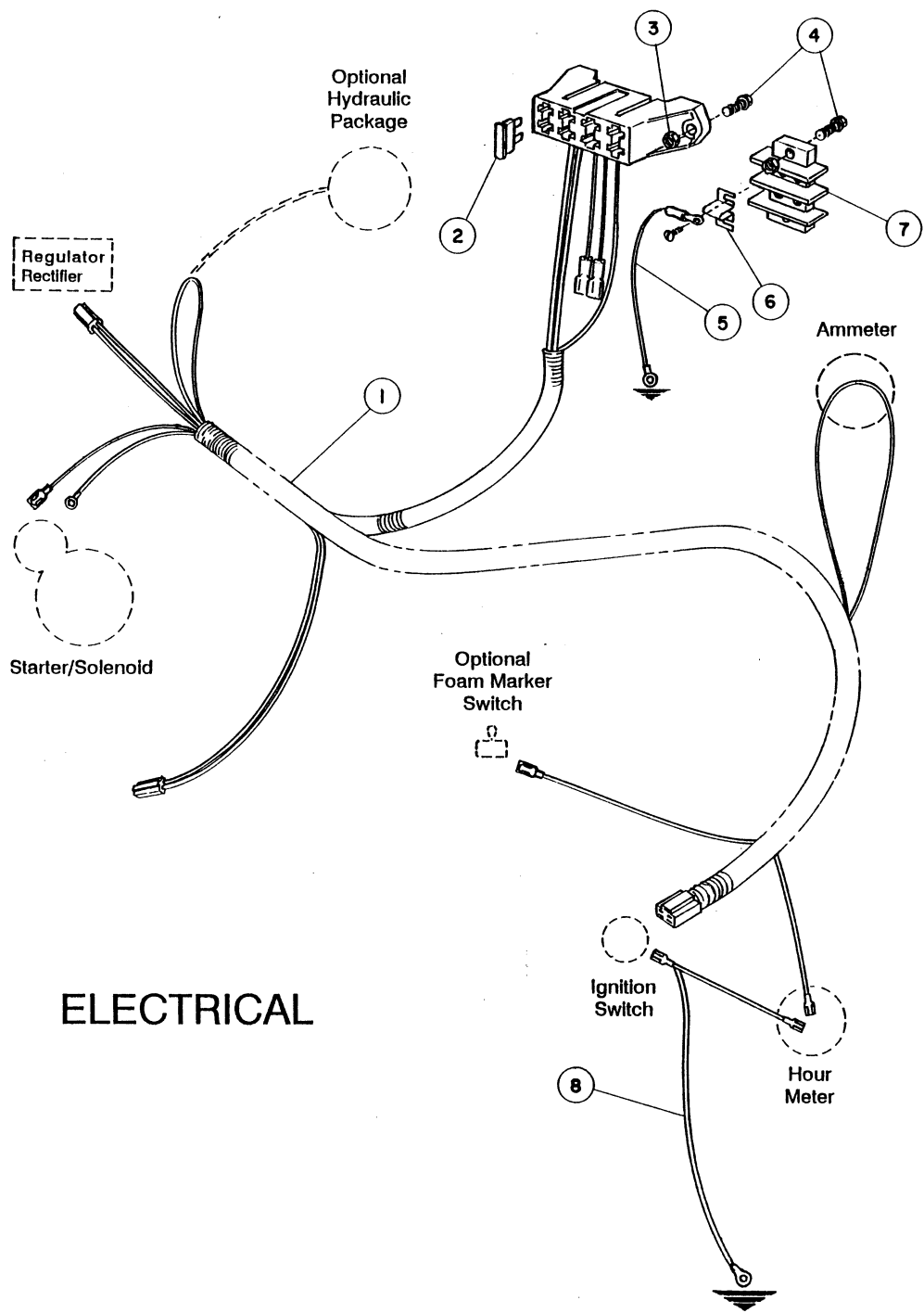
# PUMP & RESERVOIR (92-0347)



## PUMP RESERVOIR

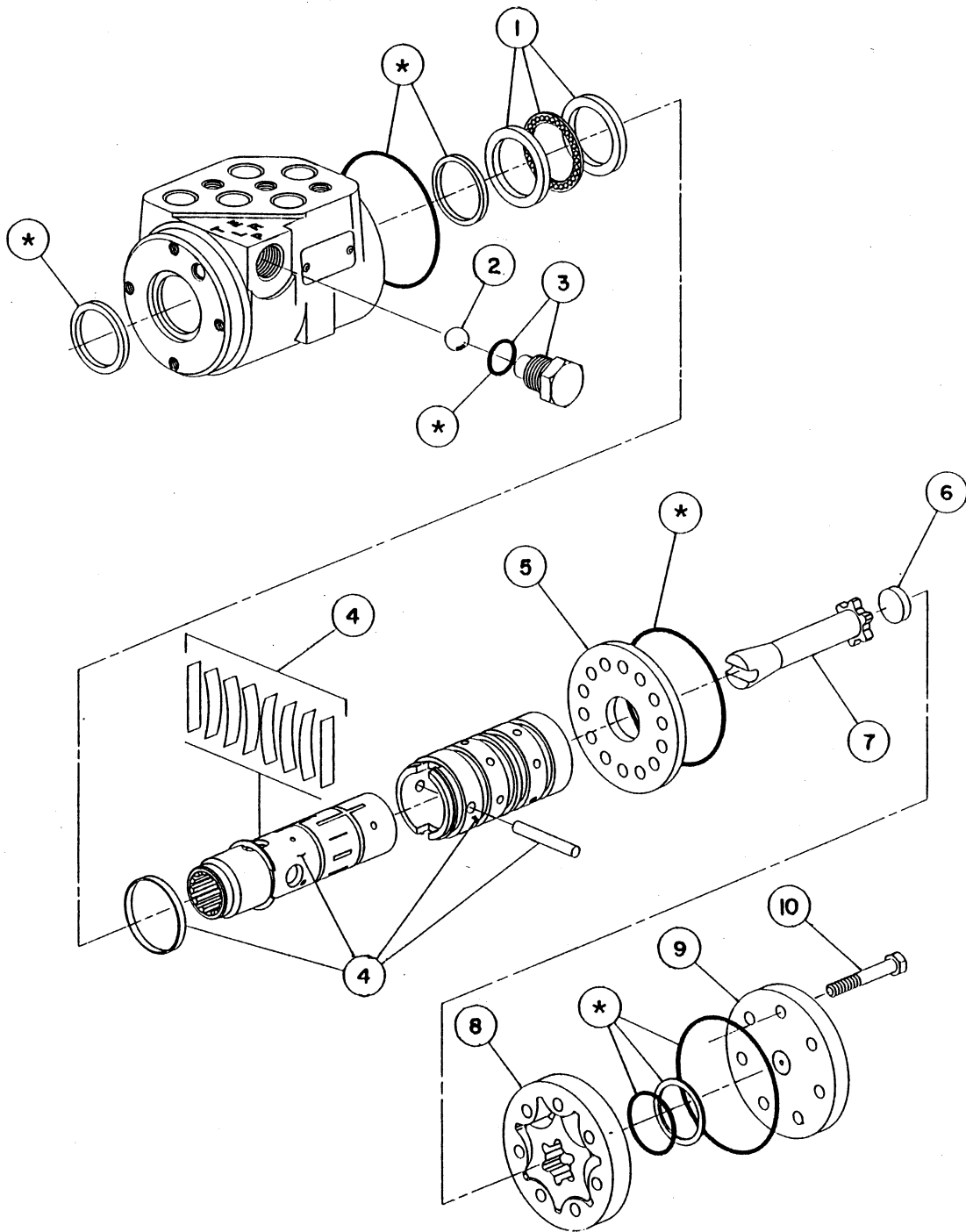
REF	PART NO.	DESCRIPTION	QTY
1	92-3873	Shaft Seal Snap Ring	1
2	92-3875	Shaft Oil Seal	1
3	92-3960	Spacer	1
4	92-3961	C-Rings	4
5	92-3874	Shaft Ball Bearing	1
6	92-3877	Drive Shaft	1
7	92-3855	Reservoir Cover	1
8	92-3881	Pump Housing Gasket - Silver (.00050 Thk)	AR
9	92-3882	Pump Housing Gasket - Gold (.00075 Thk)	AR
10	92-3880	Pump Housing Gasket - Amber (.00100 Thk)	AR
11	92-3876	Drive Shaft Key	1
12	92-3879	Drive & Idler Gear	2
13	92-3878	Idler Shaft	1
14	92-3962	Drive Pin	1
15	*	O-Ring .562 x .688 x .062	1
16	*	O-Ring .428 x .625 x .094	1
17	92-3872	Steel Ball	1
18	*	O-Ring .562 x .750 x .094	1
19	*	O-Ring .750 x 1.00 x .125	1
20	92-3871	Spring .245 x 1.031	1
21	92-3870	Spring .420 x 1.00	1
22	92-3886	Adjusting Screw	1
23	23-9-GD	1/4 Lock Washer	2
24	92-3883	1/4 - 20 x 1-3/8 Screw	6
25	92-3884	1/4 - 20 x 1-3/4 Screw	2
26	92-3857	Reservoir, Black	1
27	92-3865	Retaining Stud	1
28	92-3864	Sealing Cup	1
29	92-3863	Filter Element	1
30	92-3858	Relief Valve Stud	1
31	23-10-GD	Mounting Screw Lock Washer 5/16"	1
32	20-22-AGD	Reservoir Mounting Screw 5/16 x 1/2	1
33	92-3859	Relief Valve Roll Pin	1
34	92-3862	Relief Valve Sealing Cup	1
35	92-3861	Relief Valve Spring	1
36	92-3860	Relief Valve Spring Cup	1
37	92-3856	Reservoir Cover Gasket	1

\* Indicates parts included in kit number 92-3885.



# ELECTRICAL

REF	PART NO.	DESCRIPTION	QTY
1	92-0494	Wiring Harness	1
2	42765	30-Amp Fuse (f/w Wiring Harness)	1
3	22-9-AJD	Hex Nut, #10 NC	4
4	34-99-AMVD	Hex Washer Hd Self-Tap Screw, #10 NC	4
5	42861	Wire Assembly	1
6	42863	Jumper Strip-Terminal Block	1
7	42862	Ground Terminal Block	1
8	92-3527	Wire Assembly	1



### STEERING CONTROL UNIT (92-3502)

REF	PART NO.	DESCRIPTION	QTY
1	92-3839	Bearing Kit	1
2	92-3842	Check Ball	1
3	92-3841	Plug/O-Ring	1
4	92-3840	Control Parts Assembly	1
5	92-3843	Wear Plate	1
6	92-3845	Spacer	1
7	92-3844	Drive	1
8	92-3846	Gerotor	1
9	92-3847	End Cap	1
10	92-3848	Cap Screw	7
*	92-3849	Seal Kit - Includes all parts indicated by an *	

