



Count on it.

Parts Catalog

Heated (Only) Cab Kit

**2015 and After Groundsmaster® 4000-D
Rotary Mower**

Model No. 31232—Serial No. 409800000 and Up



Ordering Replacement Parts

To order replacement parts, please supply the part number, the quantity, and the description of each part desired.

Understanding Reference Numbers

Each identified part in an illustration has a reference number. The reference number for a part also appears in the parts list, along with other information about the part.

This catalog uses two special reference number formats, one to indicate parts in a service assembly and another to indicate the quantity of a given part in an illustration.

Service Assembly Reference Numbers

Parts in service assemblies have reference numbers in the form a:b. The a represents the reference number of the entire service assembly and the b represents a sequential number unique to each part within the service assembly.

For example, a wheel assembly might be identified by reference number 6, the tire by 6:1, the valve by 6:2, and the wheel by 6:3. When you order the assembly identified by reference number 6, you receive all parts identified by reference numbers 6:1, 6:2, and 6:3. However, you may also order any part individually. Reference numbers of this type appear in illustration and in parts lists.

Reference Numbers Indicating Quantity

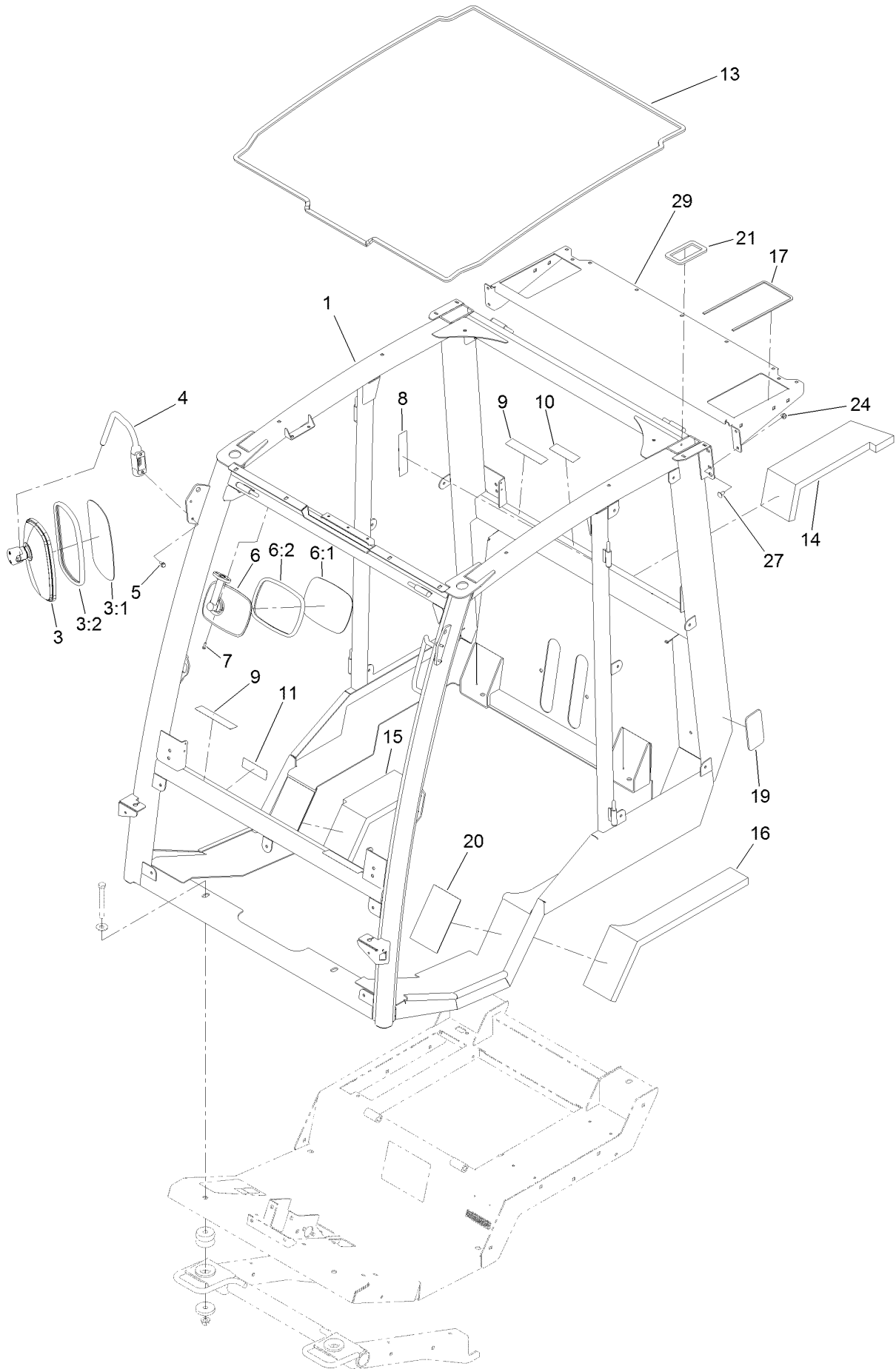
In an illustration, if a reference number indicates more than one part, the reference number has the form nX y. The n represents the quantity of the part, the X is the multiplication symbol, and the y represents the reference number.

For example, in an illustration, the reference number 2X 37 means that two of the parts identified by reference number 37 are indicated.

Contents

Frame, Mount and Seal Assembly	4
Windshield Wiper and Fresh-Air Filter Assembly	6
Window and Door Assembly	8
RH Door Assembly	10
LH Door Assembly	12
Heater Hose and Washer Bottle Assembly	14
Interior Foam Assembly	16
Mount Cover Step and Tread Assembly	18
Deck Bumper Assembly	20
Roof, Headliner and Heat Mixing Box Assembly	22
Headliner Wire Harness Assembly	24
Blower Mount Assembly	26
Heater Core Bracket and Cover Assembly	28
Heat/AC Mixing Box Housing Assembly	30
Air Diverter Assembly	32
Air Diverter Assembly No. 121-8369	34

Frame, Mount and Seal Assembly

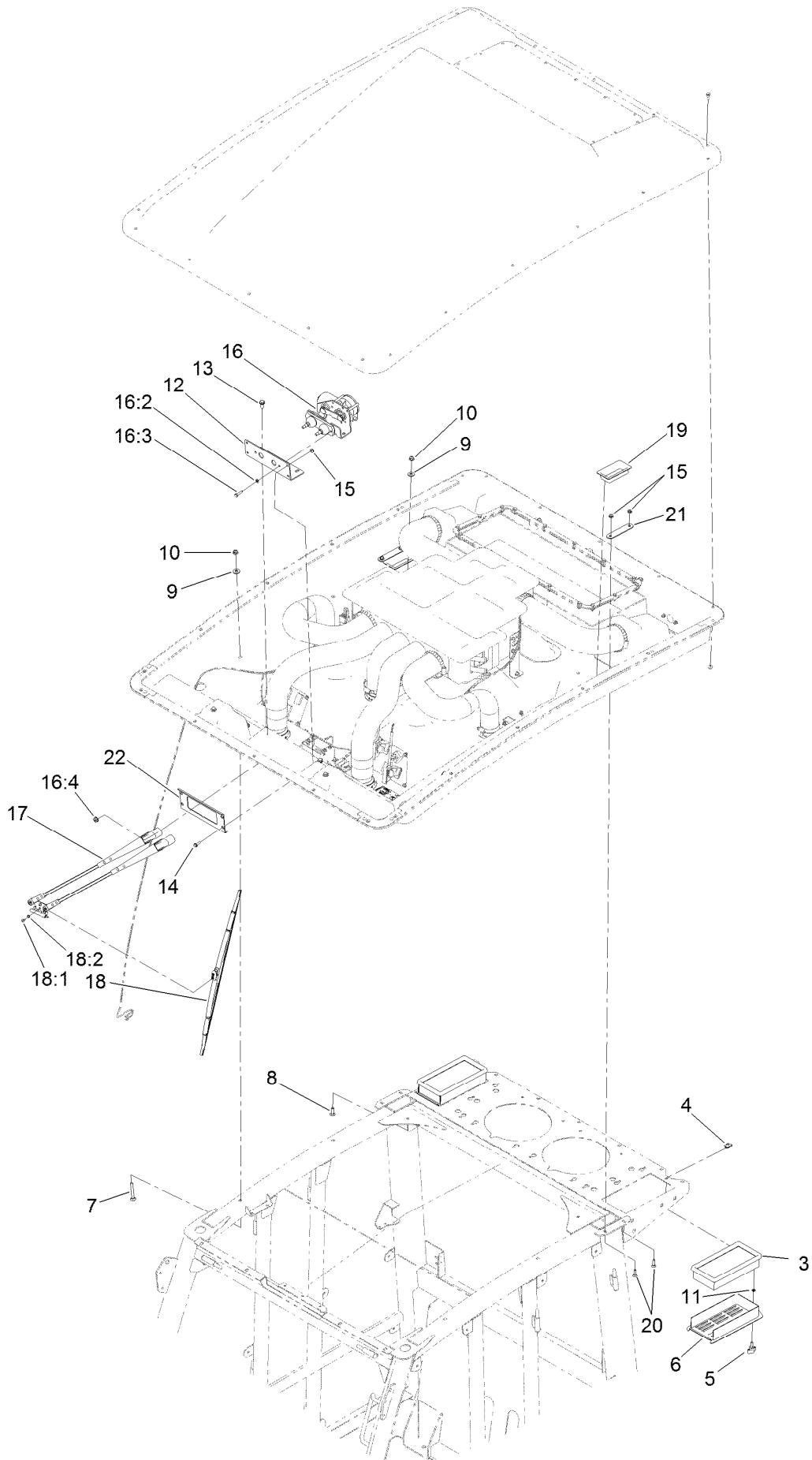


Frame, Mount and Seal Assembly (continued)

<i>Ref.</i>	<i>Part Number</i>	<i>Qty.</i>	<i>Description</i>	<i>Ref.</i>	<i>Part Number</i>	<i>Qty.</i>	<i>Description</i>
1	136-1790-03	1	Frame ASM	11	130-5356	1	Decal-Traction Pedal
3	121-8341	2	Side Mirror ASM	13	130-0586	1	Seal-Foam, Frame Roof
3:1		1	Mirror-Glass ●	14	121-8545	1	Seal-Foam, RH-Upper
3:2		1	Gasket ●	15	121-8546	1	Seal-Foam, RH
4	121-8275	2	Arm-Mirror, Side	16	121-8508	1	Foam-Seal, LH
5	33103-016	4	Screw-HHF	17	130-0587	2	Seal-Foam, Roof Air Filter
6	121-8343	1	Interior Mirror ASM	19	130-5923	2	Pad
6:1		1	Mirror ●	20	130-5978	2	Patch-Tread
6:2		1	Gasket ●	21	130-5855	2	Seal-Tube, Rear
7	32144-32	2	Screw-PPH	24	104-8300	4	Nut-HF, NI
8	130-0594	1	Decal-Warning	27	3230-18	4	Screw-CARR
9	130-0611	3	Decal-Window, Pin	29	136-1776-03	1	Shelf-Mount, Fan
10	130-5355	1	Decal-Window, Hood				

● Not serviced separately

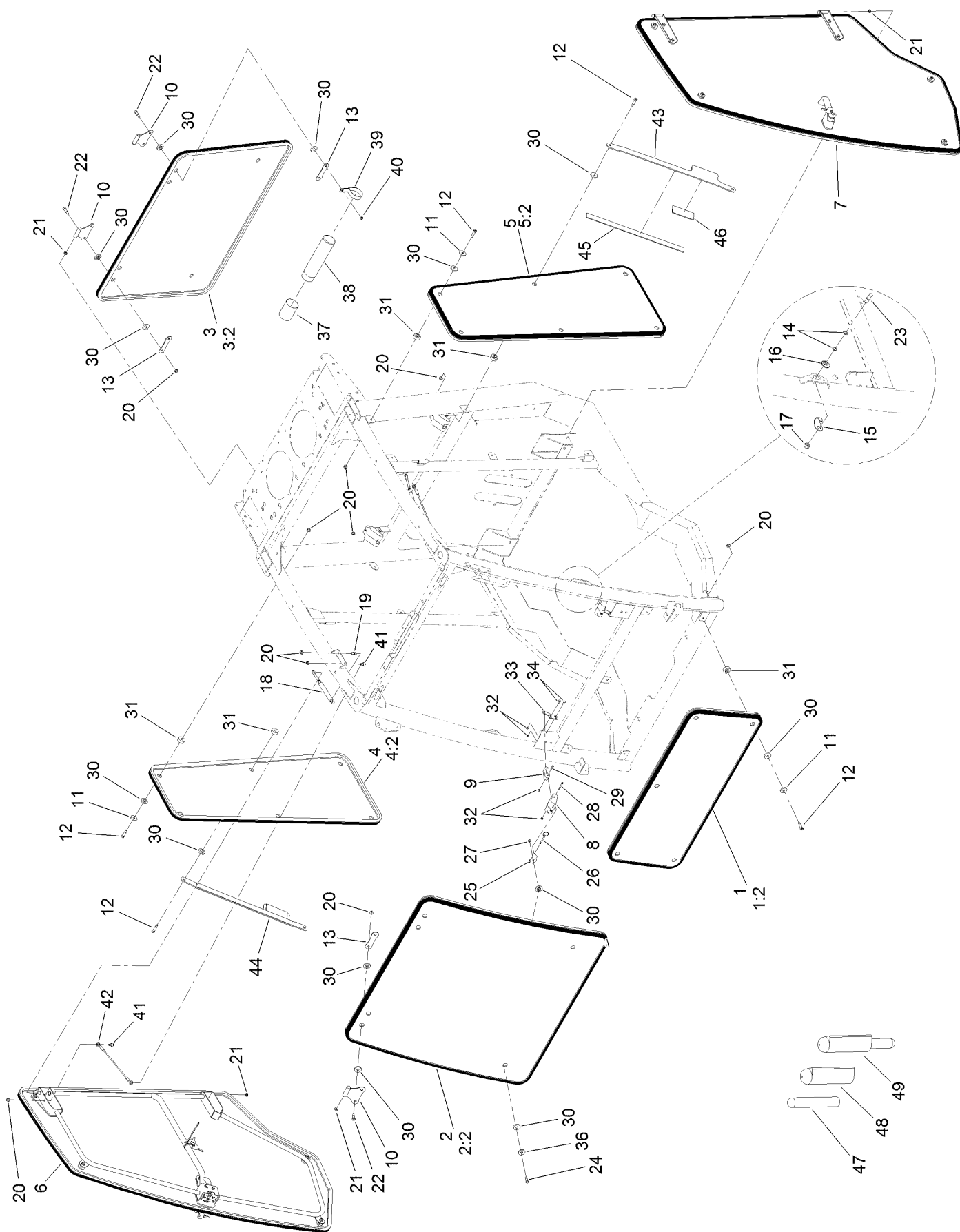
Windshield Wiper and Fresh-Air Filter Assembly



Windshield Wiper and Fresh-Air Filter Assembly (continued)

<i>Ref.</i>	<i>Part Number</i>	<i>Qty.</i>	<i>Description</i>	<i>Ref.</i>	<i>Part Number</i>	<i>Qty.</i>	<i>Description</i>
3	121-8457	2	Filter-Air	16	125-7452	1	Wiper Motor ASM
4	107069	2	Clip	16:2	3253-3	1	Washer-Lock
5	126-5846	2	Knob-T	16:3	33113-025	1	Screw-HH
6	125-9825-03	2	Cover-Air, Fresh	16:4	112-2844	2	Nut-HF
7	3230-9	4	Screw-CARR	17	125-7453	1	Arm-Wiper
8	3230-22	13	Screw-CARR	18	125-7454	1	Blade-Wiper
9	3256-3	17	Washer-Flat	18:1	47-2830	2	Screw
10	104-8300	17	Nut-HF, NI	18:2	43-5920	2	Washer-Lock, Spring
11	32115-15	2	Nut-Push	19	130-5661	2	Tube-Sleeve
12	130-5871	1	Bracket-Wiper	20	3229-30	4	Screw-CARR
13	32144-11	2	Screw-HWH	21	130-5854	2	Brace-Seal
14	32105-15	4	Screw-HWH	22	130-6068-03	1	Plate-Washer, Wiper Motor
15	104-7201	8	Nut-HF, NI				

Window and Door Assembly

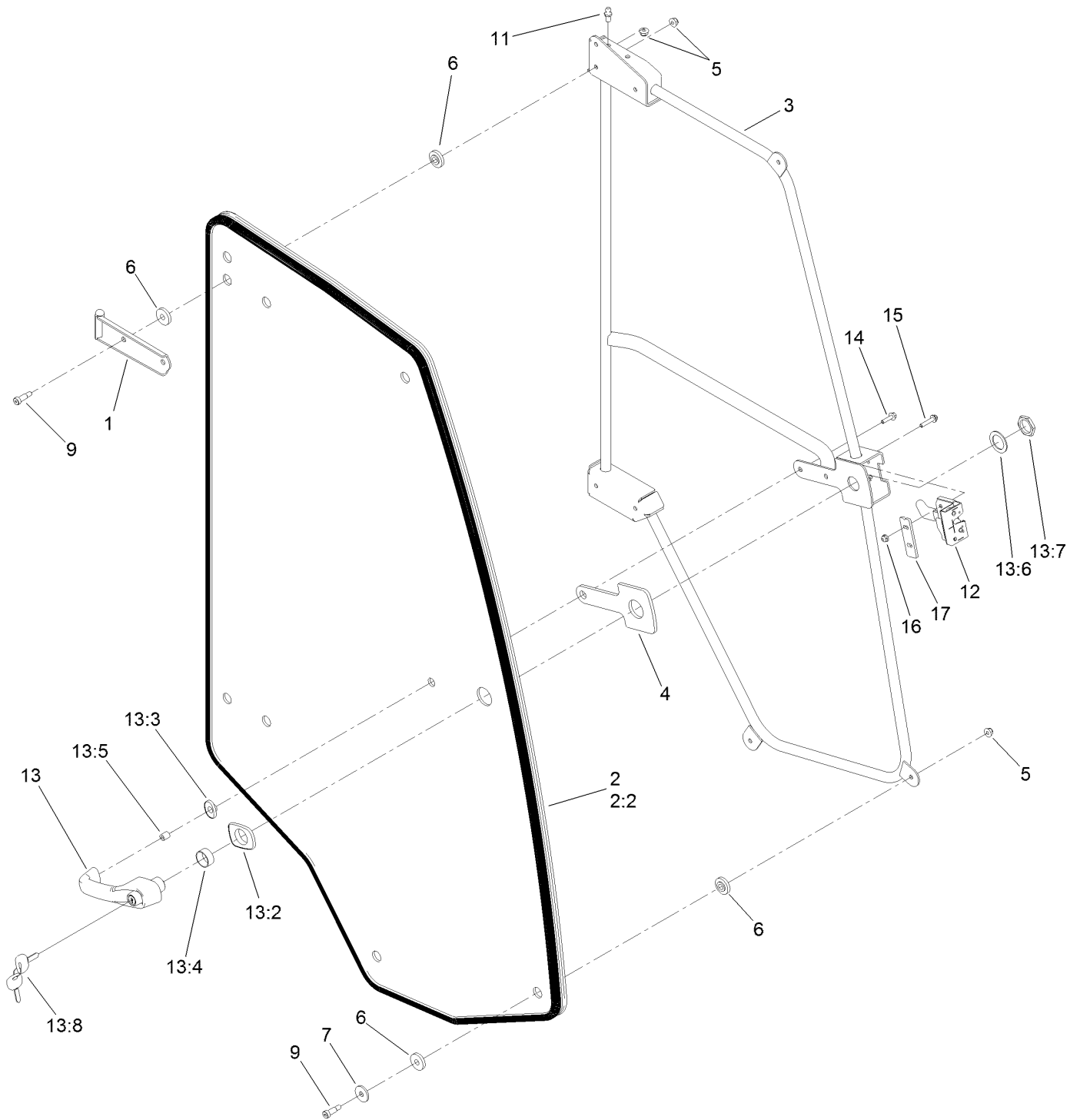


Window and Door Assembly (continued)

<i>Ref.</i>	<i>Part Number</i>	<i>Qty.</i>	<i>Description</i>	<i>Ref.</i>	<i>Part Number</i>	<i>Qty.</i>	<i>Description</i>
1	130-5681	1	Lower Front Window ASM	23	125-9993	2	Striker-Stud
1:2	121-8211	1	Trim-Window, Front	24	119-9812	4	Bolt-Shoulder
2	130-5680	1	Upper Front Window ASM	25	144-3308	4	Mount-Latch
2:2	121-8212	1	Seal-Trim	26	127-9850	4	Pin-Release, Quick
3	130-5682	1	Rear Window ASM	27	104-7201	4	Nut-HF, NI
3:2	130-0637	1	Seal-Trim	28	3274-59	4	Screw-HSH
4	130-5676	1	RH-Side Window ASM	29	3274-14	4	Screw-HSH
4:2	121-8215	1	Seal-Trim	30	125-9982	41	Bushing-Flange
5	130-5677	1	LH-Side Window ASM	31	125-9537	17	Bushing-Flange
5:2	121-8215	1	Seal-Trim	32	120-9681	16	Nut-Lock, NI
6		1	RH Door ASM ●	33	130-0590	4	Mount-Tab
7		1	LH Door ASM ●	34	1-807513	8	Bolt-CARR
8	125-9792	4	Handle-Window	36	125-9676	4	Washer-Backup
9	125-9793	4	Link-Window	37	104-7048	1	Cap-Housing
10	121-8535-03	4	Hinge-Window	38	104-7050	1	Tube-Manual
11	130-5815	13	Washer-Backup	39	2412-133	2	Clamp-R
12	125-9521	17	Screw-Shldr HSH	40	3296-47	2	Nut-Lock,NI
13	144-3307	4	Plate-Backer, Windshield	41	120-9471	4	Bolt-Shoulder
14	73-0040	2	Washer-Thrust	42	130-5726	2	Lanyard
15	121-8393	2	Guard-Striker	43	130-6095-03	1	Strap-Support, Left
16	125-9992	2	Adjuster-Stud	44	130-6091-03	1	Strap-Support
17	106-0327	2	Nut-Hex	45	130-6096	2	Strap-Foam, 19.5 Inch
18	130-6083	2	Spring-Gas, Door	46	130-6097	2	Strap-Foam, 4.25 Inch
19	98-3104	2	Stud-Ball	47	133-1110	1	Pin-Hinge
20	104-8300	29	Nut-HF, NI	48	121-8439	1	Receiver-Pivot, Hinge
21	121-8441	8	Washer-Spacer	49	121-8440	1	Pivot-Hinge
22	125-9520	8	Screw-Shoulder, HSH				

● Not serviced separately

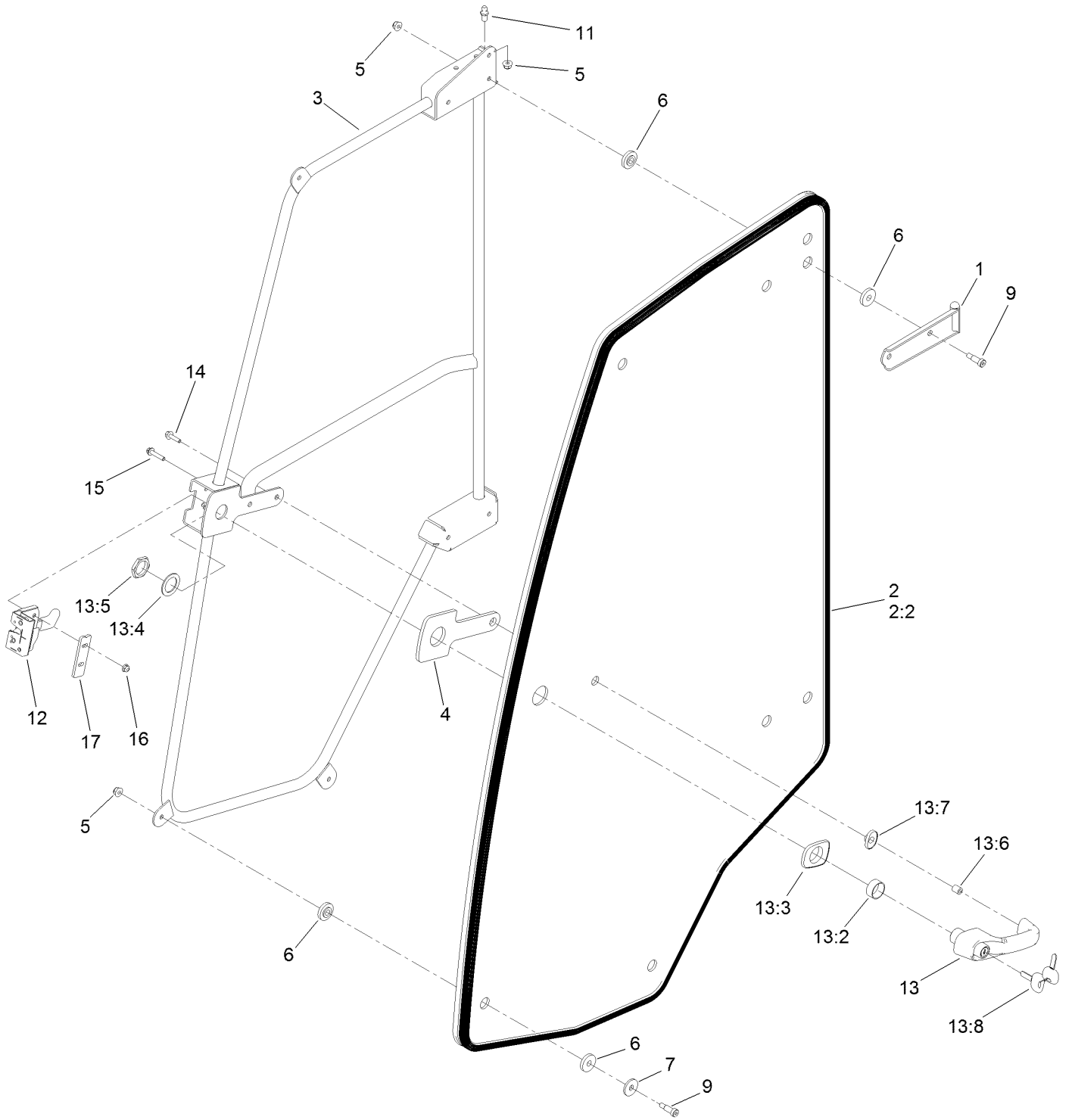
RH Door Assembly



RH Door Assembly (continued)

<i>Ref.</i>	<i>Part Number</i>	<i>Qty.</i>	<i>Description</i>	<i>Ref.</i>	<i>Part Number</i>	<i>Qty.</i>	<i>Description</i>
1	125-9618-03	2	Hinge-Door, RH	13:2	121-8628	1	Cylinder-Mounting, Key
2	130-5678	1	RH Door ASM	13:3	121-8322	1	Grommet-Mounting, Large
2:2	125-9799	1	Trim-Door	13:4	121-8327	1	Washer
3	121-8570-03	1	Frame-Door, RH	13:5	121-8328	1	Nut
4	121-8331	1	Gasket-Handle	13:6	121-8627	1	Cylinder-Mounting, End
5	104-8300	9	Nut-HF, NI	13:7	121-8323	1	Grommet-Mounting, Small
6	125-9982	16	Bushing-Flange	13:8	125-9531	1	Key-Set
7	125-9676	4	Washer-Backup	14	33103-025	1	Screw-HHF
9	125-9520	8	Screw-Shoulder, HSH	15	3234-21	2	Screw-HHF
11	98-3104	1	Stud-Ball	16	104-7201	2	Nut-HF, NI
12	121-8390	1	Latch-RH	17	121-8395	1	Plate-Support, Latch
13	121-8630	1	Handle ASM				

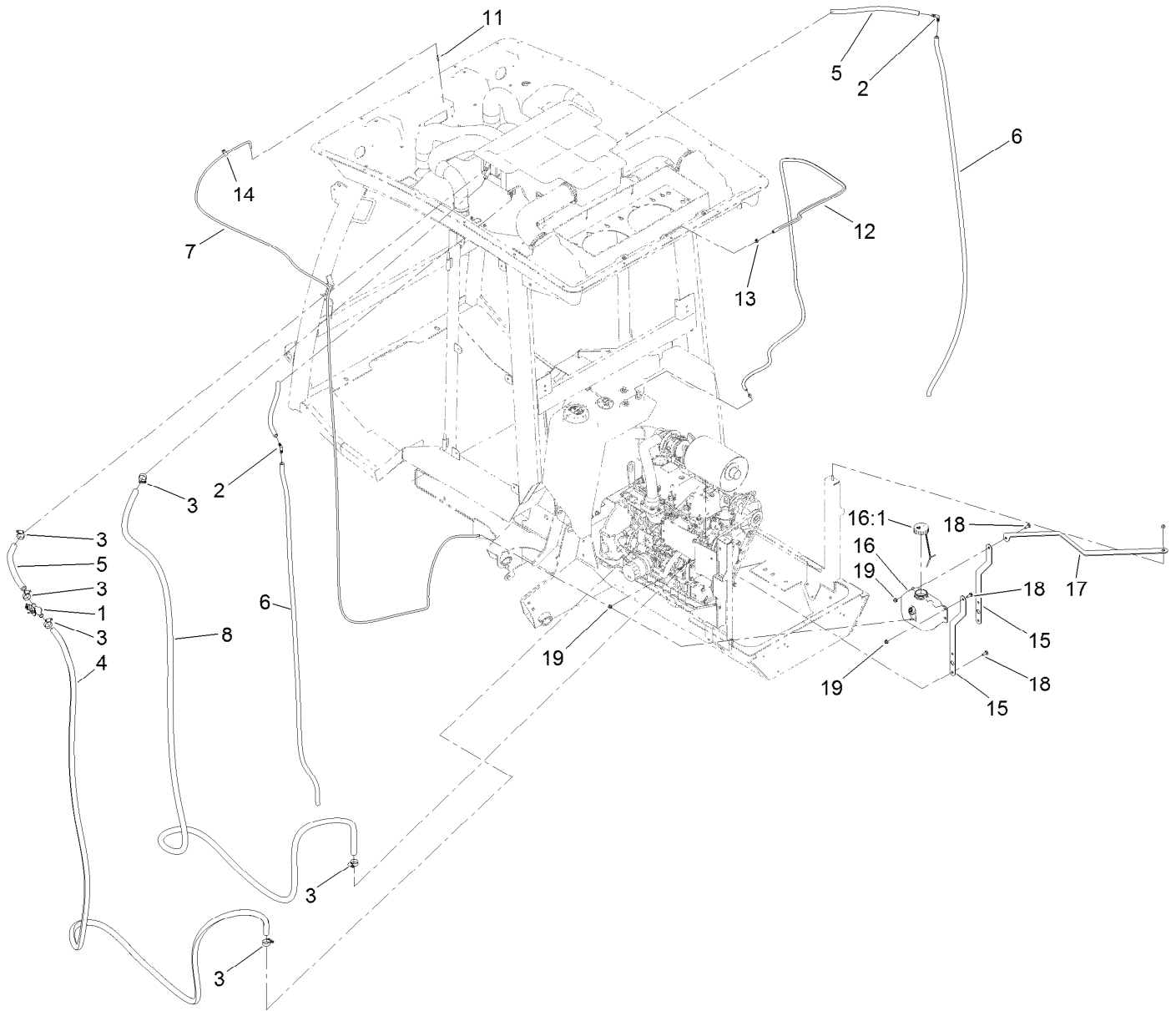
LH Door Assembly



LH Door Assembly (continued)

<i>Ref.</i>	<i>Part Number</i>	<i>Qty.</i>	<i>Description</i>	<i>Ref.</i>	<i>Part Number</i>	<i>Qty.</i>	<i>Description</i>
1	125-9619-03	2	Hinge-Door, LH	13:2	121-8628	1	Cylinder-Mounting, Key
2	130-5679	1	LH Door ASM	13:3	121-8322	1	Grommet-Mounting, Large
2:2	121-8216	1	Trim-Window	13:4	121-8327	1	Washer
3	121-8571-03	1	Frame-Door, LH	13:5	121-8328	1	Nut
4	121-8331	1	Gasket-Handle	13:6	121-8627	1	Cylinder-Mounting, End
5	104-8300	9	Nut-HF, NI	13:7	121-8323	1	Grommet-Mounting, Small
6	125-9982	16	Bushing-Flange	13:8	125-9531	1	Key-Set
7	125-9676	4	Washer-Backup	14	33103-025	1	Screw-HHF
9	125-9520	8	Screw-Shoulder, HSH	15	3234-21	2	Screw-HHF
11	98-3104	1	Stud-Ball	16	104-7201	2	Nut-HF, NI
12	121-8391	1	Latch-LH	17	121-8395	1	Plate-Support, Latch
13	121-8630	1	Handle ASM				

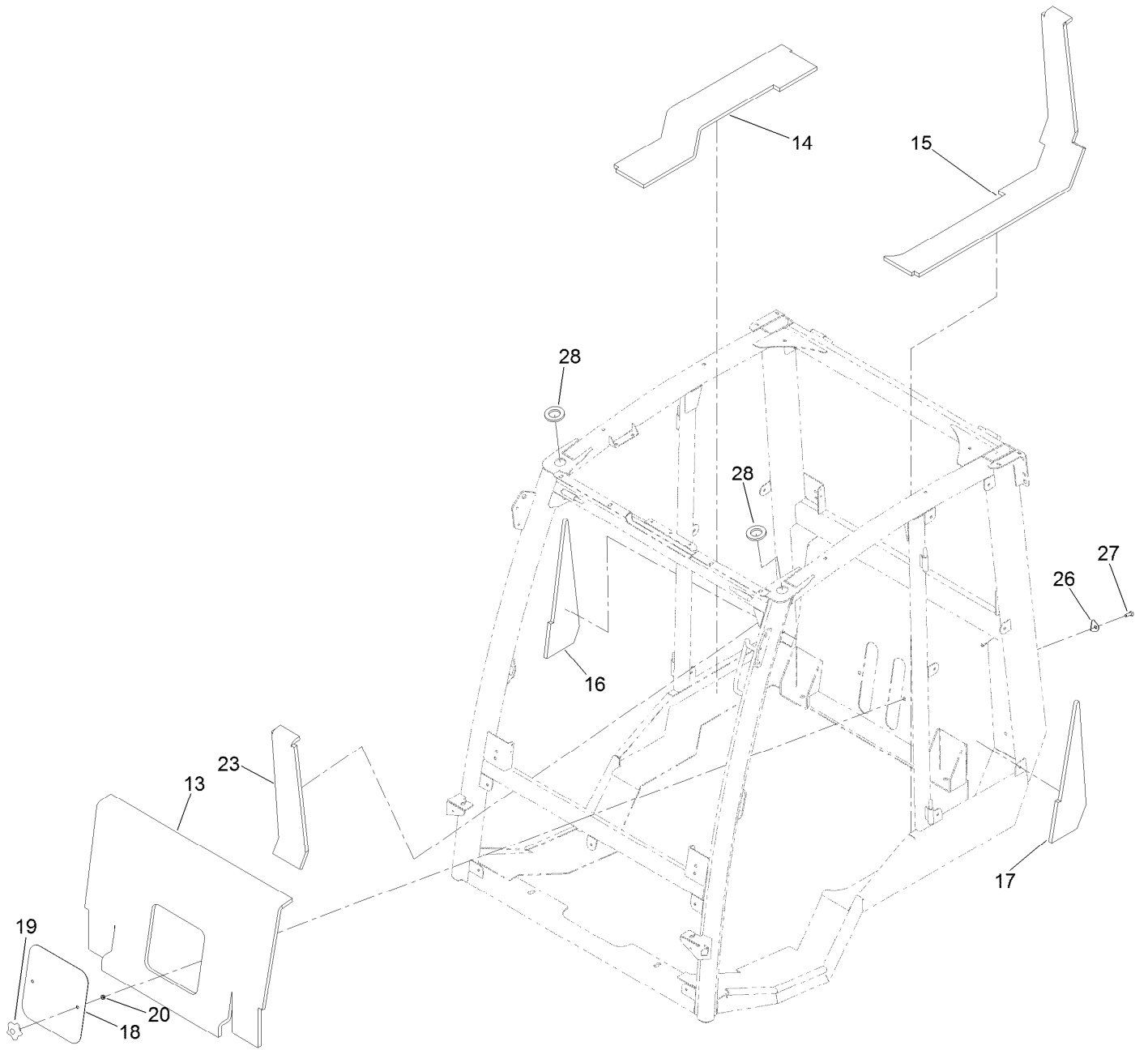
Heater Hose and Washer Bottle Assembly



Heater Hose and Washer Bottle Assembly (continued)

<i>Ref.</i>	<i>Part Number</i>	<i>Qty.</i>	<i>Description</i>	<i>Ref.</i>	<i>Part Number</i>	<i>Qty.</i>	<i>Description</i>
1	120-4947	1	Valve-Heater	13	2412-98	1	Clamp-Hose
2	130-0578	2	Fitting-Barb, 90 DEG	14	2412-73	1	Clamp-R
3	2412-129	6	Clamp-Hose	15	130-0604-0P	2	Strap-Bottle, Washer Fluid
4	125-9706	1	Hose-Heater	16	138-2702	1	Tank-Fluid, Washer
5	125-9865	2	Hose-Drain	16:1	125-5258	1	Lid-Tank, Washer Fluid
6	125-9866	2	Hose-Drain	17	130-0605-0P	1	Support-Bottle, Washer Fluid
7	127-9901	1	Hose-Washer Fluid				
8	125-9864	2	Hose-Heater	18	3230-10	6	Bolt-CARR
11	127-9905	1	Fitting-Hose, Barb	19	104-8300	6	Nut-HF, NI
12	130-5813	1	Hose-Fuel				

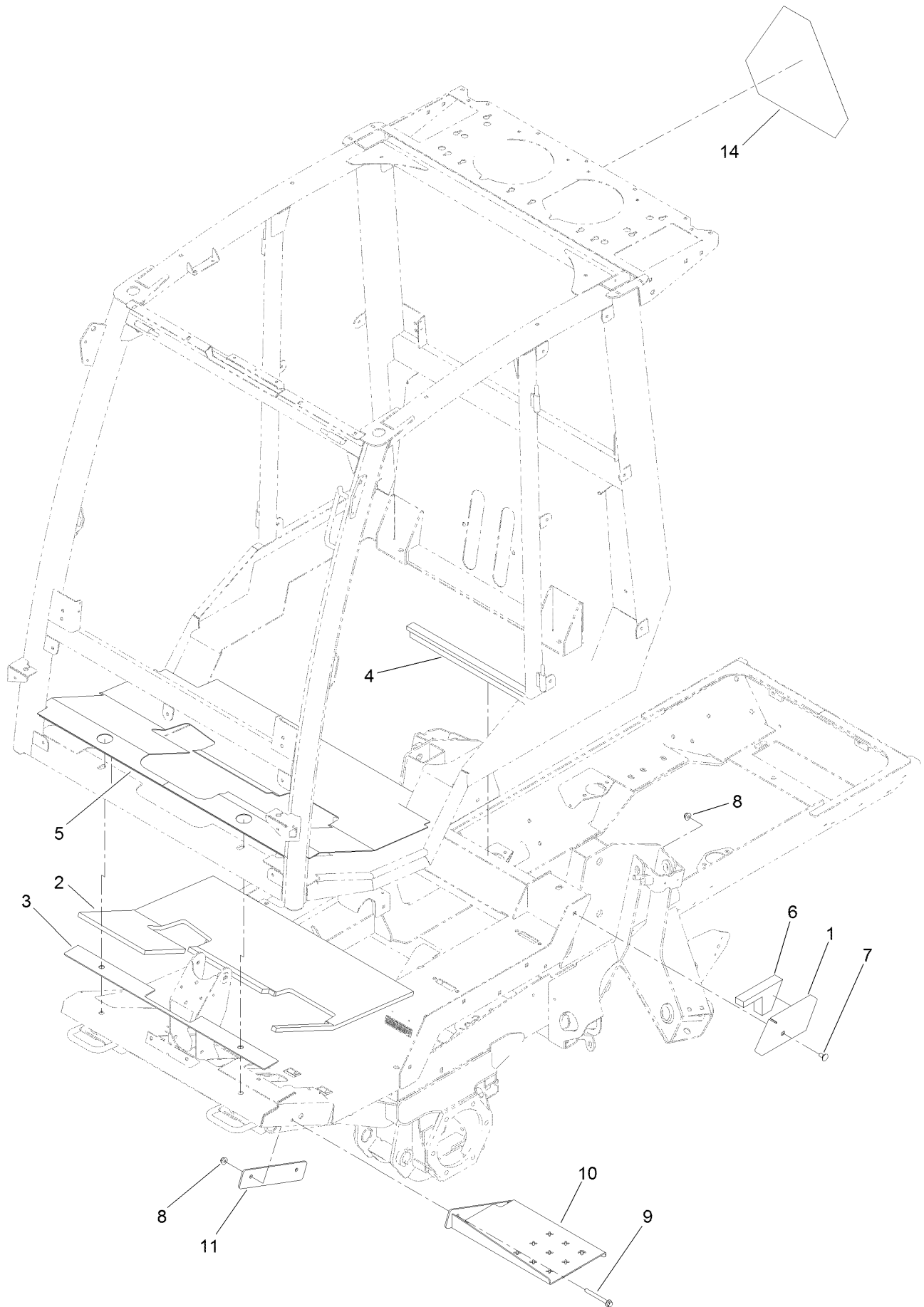
Interior Foam Assembly



Interior Foam Assembly (continued)

<i>Ref.</i>	<i>Part Number</i>	<i>Qty.</i>	<i>Description</i>	<i>Ref.</i>	<i>Part Number</i>	<i>Qty.</i>	<i>Description</i>
13	130-0564	1	Foam-Upholstery, Rear	19	117-5976	2	Knob-Handle
14	130-5837	1	Foam-Interior, RH-Lower	20	3296-47	2	Nut-Lock,NI
15	130-0563	1	Foam-Upholstery, Rear-LH	23	130-5838	1	Foam-Interior, RH (Upper)
16	130-0561	1	Foam-Upholstery, Side (RH)	26	132-3495	2	Retainer-Cover
17	130-0570	1	Foam-Upholstery, Rear (LH)	27	3230-22	2	Screw-CARR
18	121-8161-03	1	Plate-Panel, Access	28	133-0982	2	Tube-Seal, Front

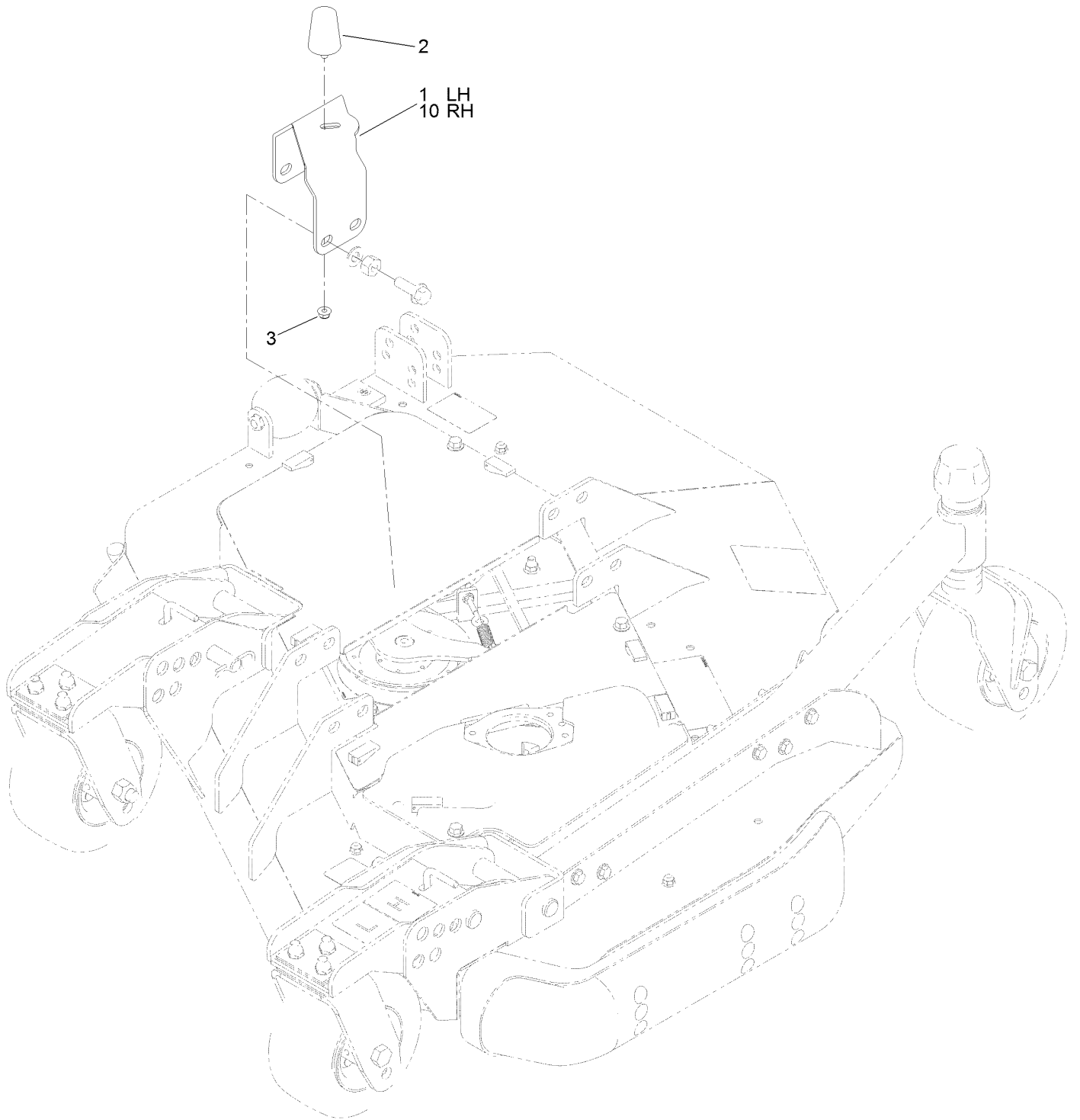
Mount Cover Step and Tread Assembly



Mount Cover Step and Tread Assembly (continued)

<i>Ref.</i>	<i>Part Number</i>	<i>Qty.</i>	<i>Description</i>	<i>Ref.</i>	<i>Part Number</i>	<i>Qty.</i>	<i>Description</i>
1	130-5747-03	1	Cover-Mount	7	3231-1	1	Screw-CARR
2	132-3598	1	Foam-Tread	8	104-8301	3	Nut-HF, NI
3	132-3599	1	Gasket-Front	9	116-4701	2	Screw-HHF
4	121-8548	1	Foam-Seal, Rear	10	121-1739-03	1	Step
5	132-3528	1	Tread	11	120-9022-0P	1	Support-Step
6	127-9861	1	Foam-Corner	14	120-0250	1	Decal-Warning

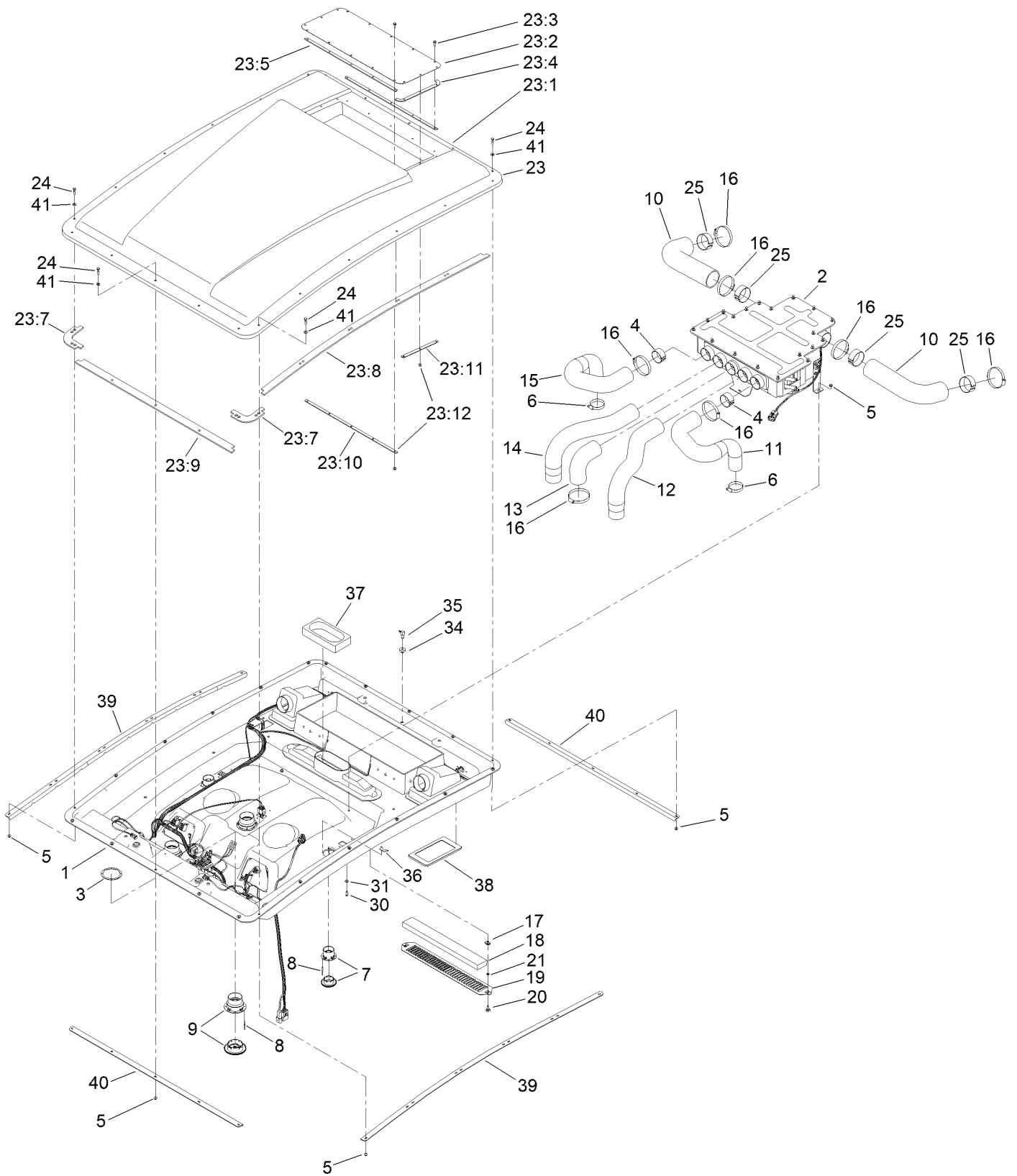
Deck Bumper Assembly



Deck Bumper Assembly (continued)

<i>Ref.</i>	<i>Part Number</i>	<i>Qty.</i>	<i>Description</i>	<i>Ref.</i>	<i>Part Number</i>	<i>Qty.</i>	<i>Description</i>
1	130-5965-03	1	Bracket-Bumper, LH	3	104-8300	2	Nut-HF, NI
2	110-5070	2	Bumper	10	130-5966-03	1	Bracket-Bumper, RH

Roof, Headliner and Heat Mixing Box Assembly

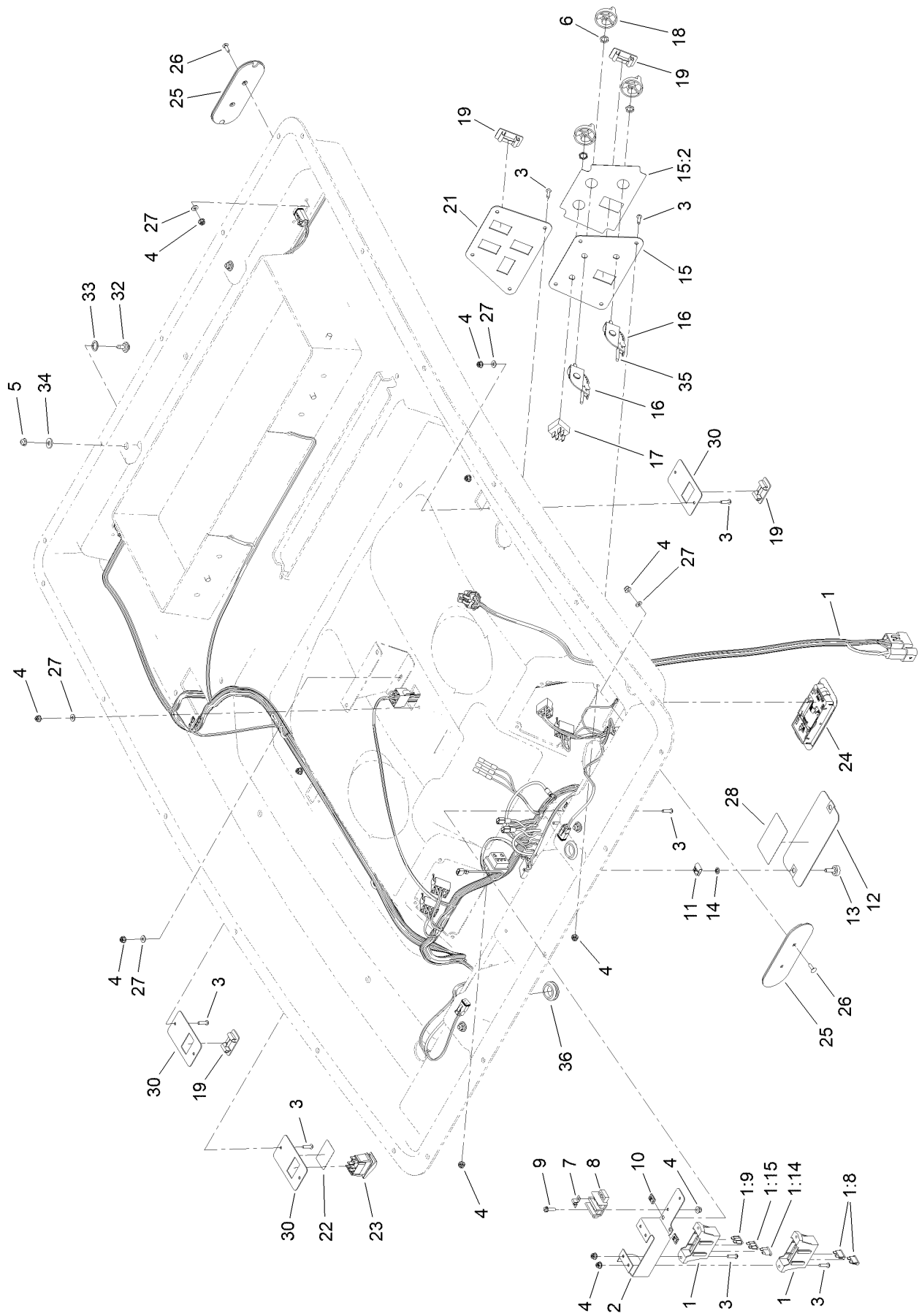


Roof, Headliner and Heat Mixing Box Assembly (continued)

<i>Ref.</i>	<i>Part Number</i>	<i>Qty.</i>	<i>Description</i>	<i>Ref.</i>	<i>Part Number</i>	<i>Qty.</i>	<i>Description</i>
1	140-6760	1	Headliner ASM	23:1	125-9607	1	Roof
2	121-8603	1	Heat Mixing Box ASM	23:2	125-9527-03	1	Cover-Roof
3	130-0558	3	Backplate-Rivet	23:3	32105-15	16	Screw-HWH
4	130-5938	2	Tube-Support	23:4	132-3668	2	Seal-Cover, Short Side
5	104-7201	24	Nut-HF, NI	23:5	132-3669	2	Seal-Cover, Long Side
6	2412-130	2	Clamp-Hose	23:7	130-5961	4	Seal-Corner
7	130-0455	2	Louver-Round, Snap-In	23:8	130-5960	2	Seal-Side
8	125-7503	20	Rivet-Pop	23:9	130-5962	2	Seal-Front, Rear
9	130-0465	3	Louver-Round, Snap-In (4 Inch)	23:10	132-3670-03	2	Strap-Roof, Long
10	121-8473	2	Hose-Intake, Fresh Air	23:11	132-3671-03	2	Strap-Roof, Short
11	130-0440	1	Hose-Vent, LH	23:12	104-7201	16	Nut-HF, NI
12	121-8477	1	Hose-Vent, Defrost (LH)	24	136-8674	22	Bolt-Pivot, Eccentric
13	130-0437	1	Hose-Vent, Center	25	130-5939	4	Tube-Support
14	121-8478	1	Hose-Vent, Defrost (RH)	30	3274-69	2	Screw-HSBH
15	130-0441	1	Hose-Vent, RH	31	3256-1	2	Washer-Flat
16	2412-110	7	Clamp-Band/Screw	34	46-6560	1	Bushing
17	107069	2	Clip	35	104-5228	1	Fitting-Elbow, 90 DEG
18	125-9532	1	Filter-Cab, Inside	36	130-0445	4	Backplate-Rivet
19	125-9604-03	1	Plate-Cover, Recirculation	37	130-0444	1	Foam-Inlet, Airbox
20	125-7438	2	Knob-Screw, Thumb	38	132-3474	2	Insert-Seal, Filter
21	32115-15	2	Nut-Push	39	132-1461-03	2	Strap-Cab, Side
23		1	Roof ASM ●	40	132-1462-03	2	Strap-Cab
				41	3256-74	22	Washer-Flat

● Not serviced separately

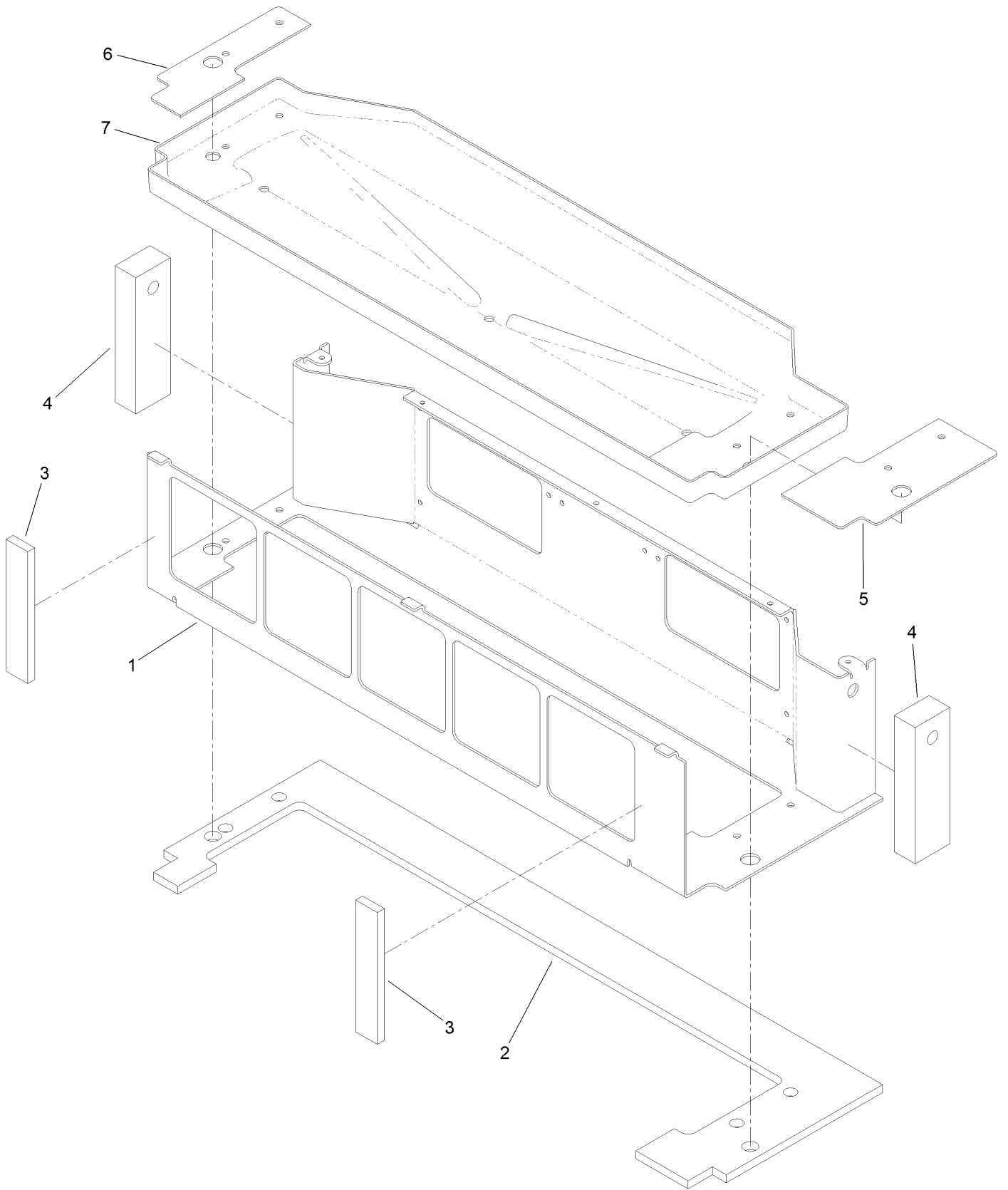
Headliner Wire Harness Assembly



Headliner Wire Harness Assembly (continued)

<i>Ref.</i>	<i>Part Number</i>	<i>Qty.</i>	<i>Description</i>	<i>Ref.</i>	<i>Part Number</i>	<i>Qty.</i>	<i>Description</i>
1	122-2129	1	Harness-Wire, Cab Headliner	15:2	121-8378	1	Decal, Air/Heat
1:8	109355	2	Fuse-Blade, 15 Amp	16	144-3572	2	Control-Rotary, Linear
1:9	109103	1	Fuse-Blade, 30 Amp	17	122-0150	1	Switch, Rotary
1:14	109101	1	Fuse-Blade, 20 Amp	18	125-9510	3	Knob-Control
1:15	109102	1	Fuse-Blade, 25 Amp	19	99-7420	7	Plug-Hole
2	125-9606-03	1	Bracket-Fuse Block	21	125-9658-03	1	Panel-Switch, Lights
3	104-2408	22	Screw-HSBH	22	125-9688	1	Decal-Washer
4	120-4578	28	Nut-HF	23	119-8355	1	Switch-Rocker
5	104-7201	4	Nut-HF, NI	24	125-7437	1	Light-Dome
6	130-0588	1	Nut-Switch	25	130-5867	4	Cover-Light, Rear
7	42863	1	Strip-Jumper	26	3229-34	8	Screw-CARR
8	42862	1	Block-Terminal, Ground	27	3256-14	14	Washer-Flat
9	32105-13	2	Screw-HWH	28	132-3600	1	Decal-Panel, Fuse
10	107-1013	4	Nut-Speed	30	144-3306	3	Panel-Switch
11	609900	2	Nut-Speed	32	92-9698	4	Screw-Shoulder
12	125-9603-03	1	Plate-Cover, Fuse	33	94-8196	4	Washer-Nylon
13	125-7438	2	Knob-Screw, Thumb	34	3256-2	4	Washer-Flat
14	32115-15	2	Nut-Push	35	144-3573	1	Cable-Control
15	121-8481	1	Panel-Air/Heat	36	110-5333	4	Grommet-Plug

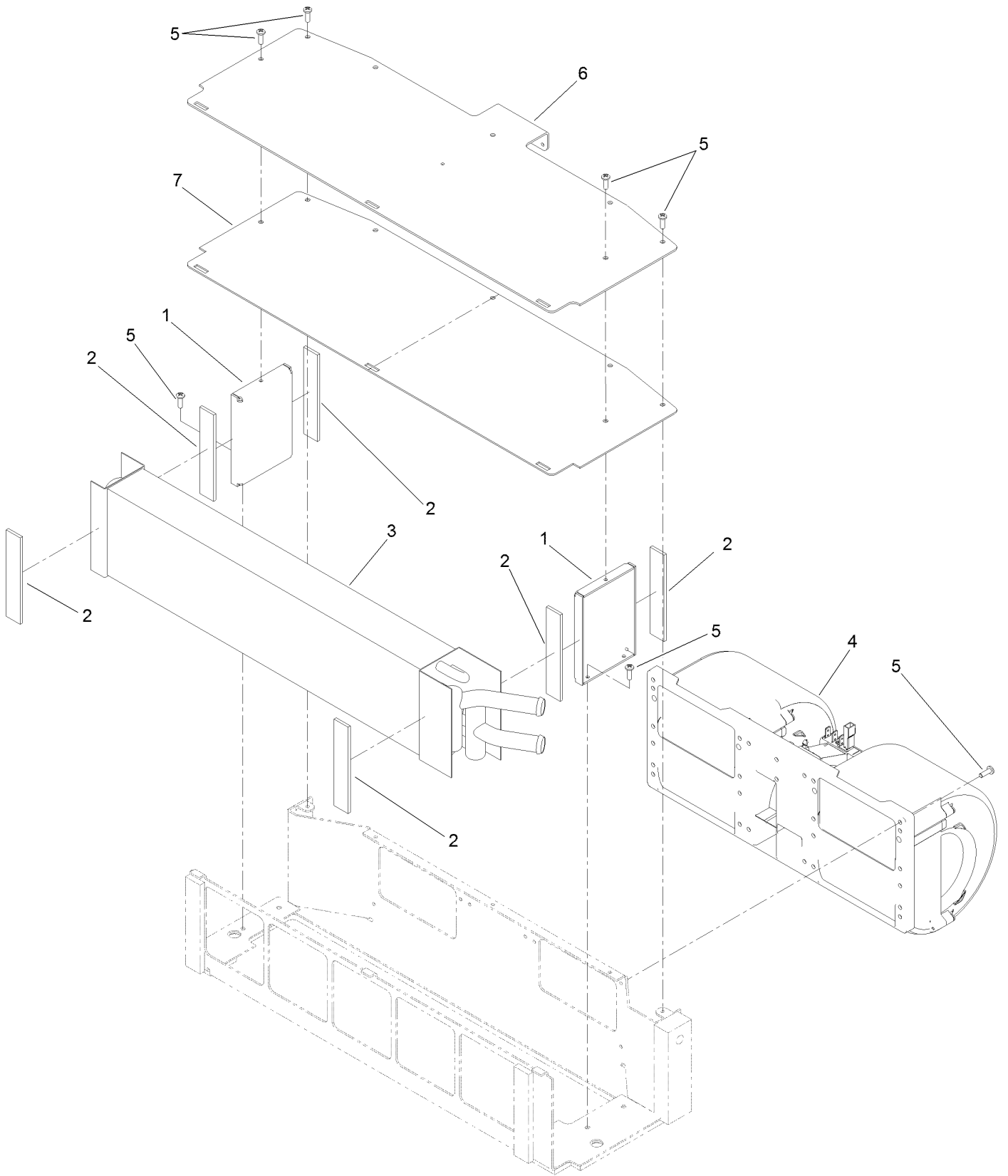
Blower Mount Assembly



Blower Mount Assembly (continued)

<i>Ref.</i>	<i>Part Number</i>	<i>Qty.</i>	<i>Description</i>	<i>Ref.</i>	<i>Part Number</i>	<i>Qty.</i>	<i>Description</i>
1	130-5655-03	1	Bracket-Mount	5	130-5653	1	Gasket-Mount, LH Bracket
2	130-5659	1	Seal-Foam	6	130-5654	1	Gasket-Mount, RH Bracket
3	130-5808	2	Seal-Foam, Front	7	130-5664	1	Water-Tray
4	130-0602	2	Seal-End				

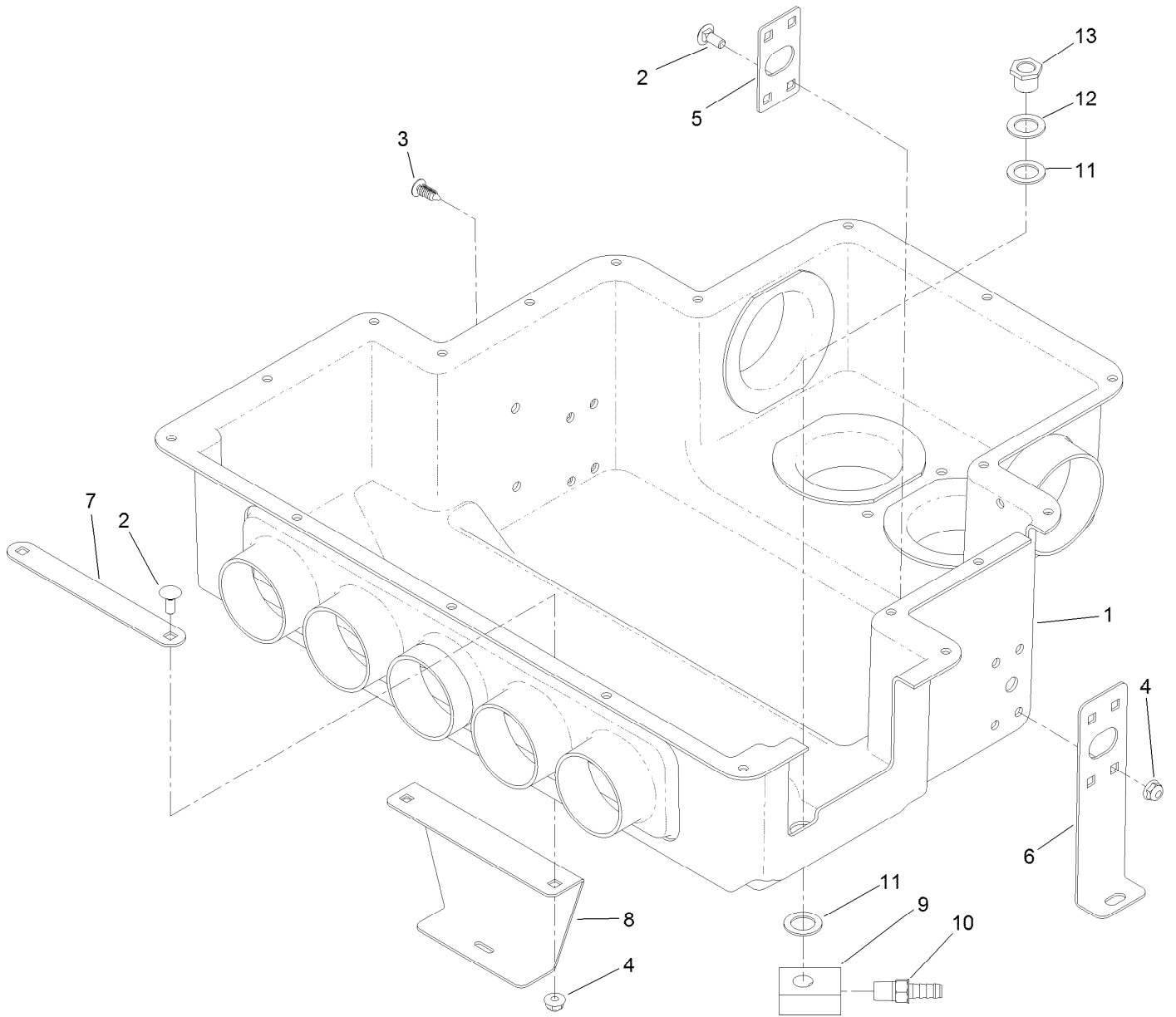
Heater Core Bracket and Cover Assembly



Heater Core Bracket and Cover Assembly (continued)

<i>Ref.</i>	<i>Part Number</i>	<i>Qty.</i>	<i>Description</i>	<i>Ref.</i>	<i>Part Number</i>	<i>Qty.</i>	<i>Description</i>
1	130-5812-03	2	Bracket-Mount, Heater Core	5	363-8245	17	Screw-TAP
2	130-5658	6	Gasket-Coil	6	130-5656-03	1	Cover, Bracket-Mount
3	127-9915	1	Core-Heater	7	130-5652	1	Gasket-Mount, Cover Bracket
4	121-8451	1	Fan-Blower				

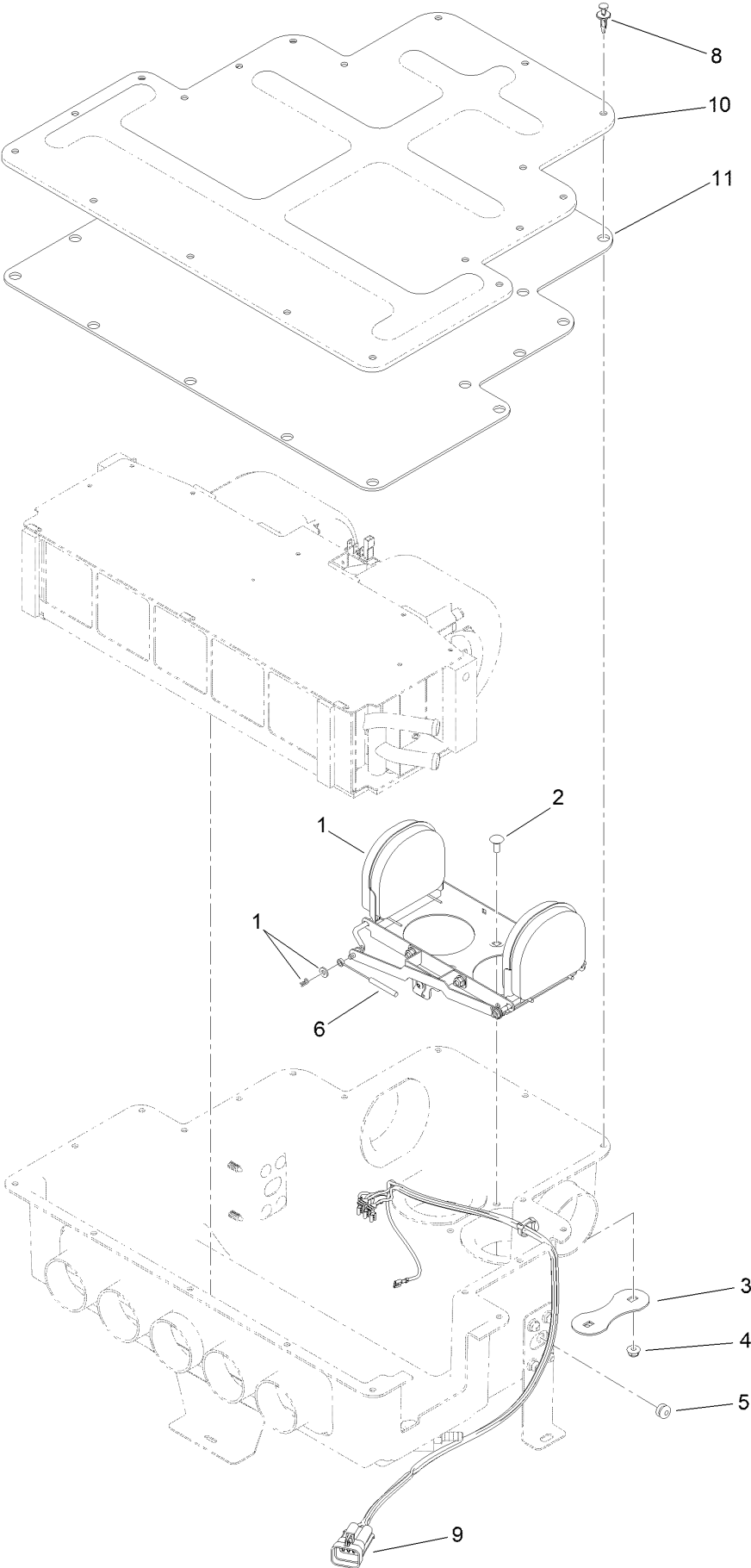
Heat/AC Mixing Box Housing Assembly



Heat/AC Mixing Box Housing Assembly (continued)

<i>Ref.</i>	<i>Part Number</i>	<i>Qty.</i>	<i>Description</i>	<i>Ref.</i>	<i>Part Number</i>	<i>Qty.</i>	<i>Description</i>
1	130-5830	1	Housing-Heat/AC	8	130-0554	1	Bracket-Airbox, Center
2	3229-11	10	Screw-CARR	9	130-5601	2	Drain-Lower
3	114-4899	2	Rivet-Push	10	108-0342	2	Fitting-Straight
4	104-7201	10	Nut-HF, NI	11	121-6840	4	Washer-Rubber
5	130-5834	2	Bracket-Support	12	107-3041	2	Washer-Flat
6	130-5821	2	Bracket-Airbox, Side	13	130-0293	2	Drain-Upper
7	125-7504	1	Plate-Backer, Center				

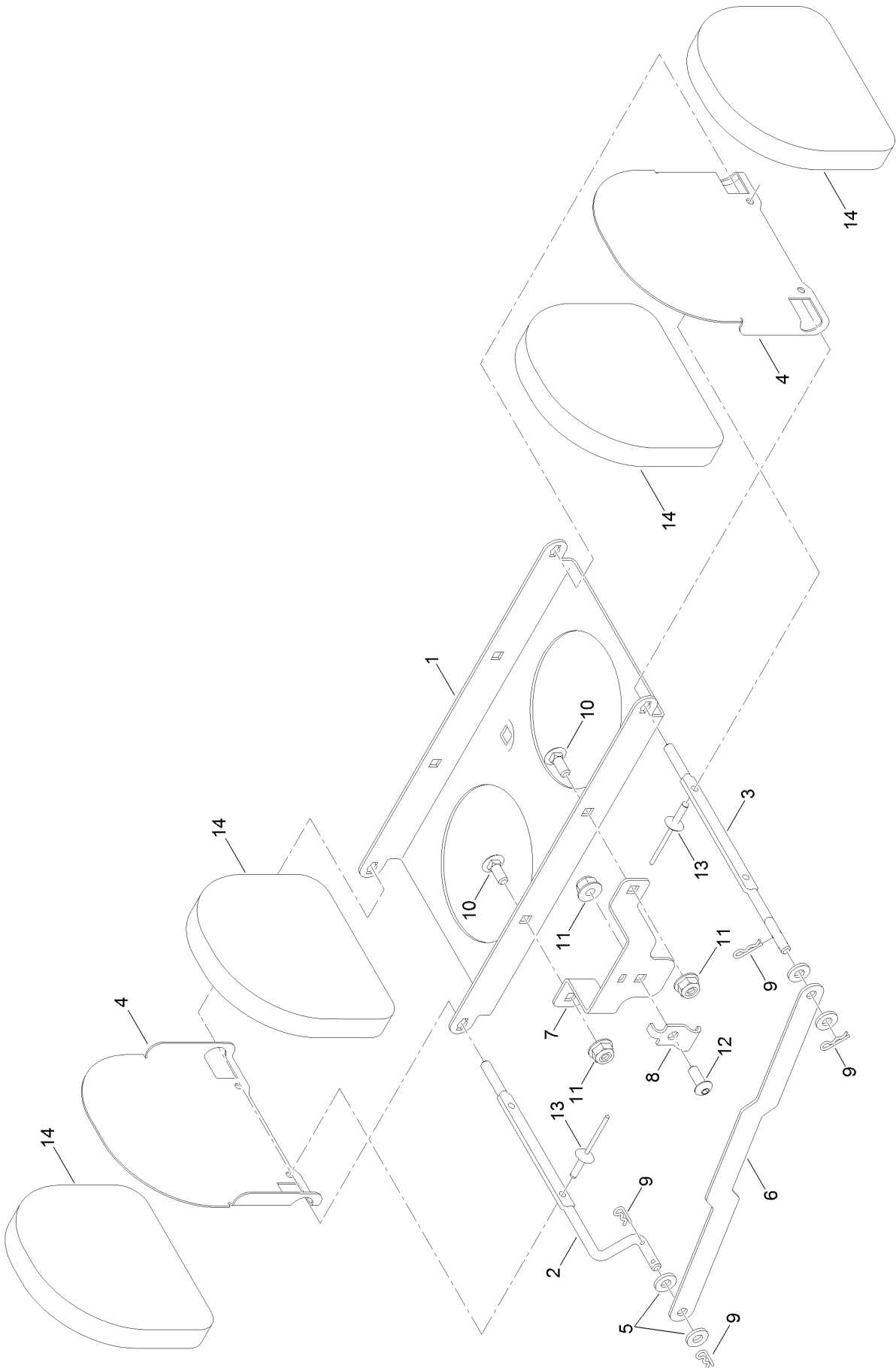
Air Diverter Assembly



Air Diverter Assembly (continued)

<i>Ref.</i>	<i>Part Number</i>	<i>Qty.</i>	<i>Description</i>	<i>Ref.</i>	<i>Part Number</i>	<i>Qty.</i>	<i>Description</i>
1	121-8369	1	Air Diverter ASM	8	125-9622	19	Rivet-Blind
2	3229-11	2	Screw-CARR	9	122-0153	1	Harness-Wire, Heat/AC Blower
3	121-8491	1	Plate-Support	10	121-8449	1	Housing-Ventilation, Upper
4	104-7201	2	Nut-HF, NI	11	130-5614	1	Insulation-Cover
5	125-7528	1	Grommet-Cable				
6	144-3574	1	Cable-Control				

Air Diverter Assembly No. 121-8369



Air Diverter Assembly No. 121-8369 (continued)

<i>Ref.</i>	<i>Part Number</i>	<i>Qty.</i>	<i>Description</i>	<i>Ref.</i>	<i>Part Number</i>	<i>Qty.</i>	<i>Description</i>
1	125-9697	1	Base-Mount	8	613385	1	Clamp-Cable
2	121-8381	1	Shaft-Baffle, RH	9	108-2992	4	Pin-Hair
3	121-8382	1	Shaft-Baffle, LH	10	1-807513	2	Bolt-CARR
4	125-9698	2	Baffle-Air	11	120-4578	3	Nut-HF
5	3256-51	4	Washer-Flat	12	115-9830	1	Screw-HSBH
6	125-9696	1	Link-Baffle	13	3290-271	4	Rivet-Pop
7	121-8374	1	Mount-Cable	14	125-9699	4	Damper-Foam



Count on it.