



MODEL NO. 41150 - 40101 & Up MODEL NO. 41550 - 40101 & Up	PARTS LIST
PA-17 and PA-21 SPREADER For the MULTI-PRO® 1100 and 5500 Vehicles	

Refer to the illustrated Parts List for details of the parts used in the assembly of the Spreader.

The PA-17 Spreader is designed for the use on the MULTI-PRO® 1100, MULTI-PRO® 5500, Skid Spreader, or, with the addition of the P.T.O. Shaft Kit, on a tractors 3-point hitch.

! SAFETY AND INSTRUCTION DECALS

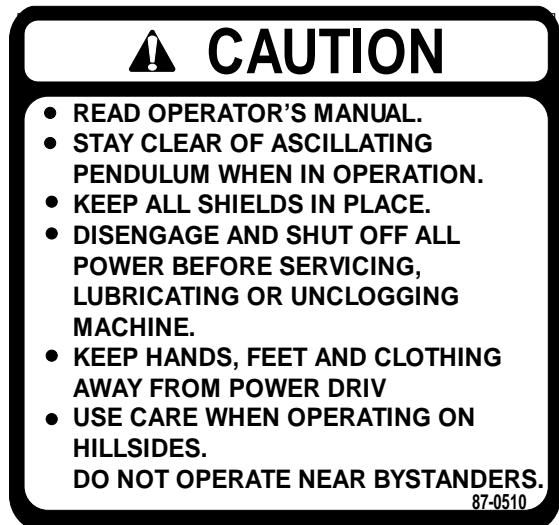
The following Decals are installed on the machine. If any become damaged or illegible, replace them. The decal part number is listed below.



Part No. 87-0550: Located one on each side of Hopper.



Part No. 87-0560: Located on front of Hopper.



Part No. 87-0510: Located on left side of Drive Housing.



Part No. 87-0470: Located on rear of Hopper.

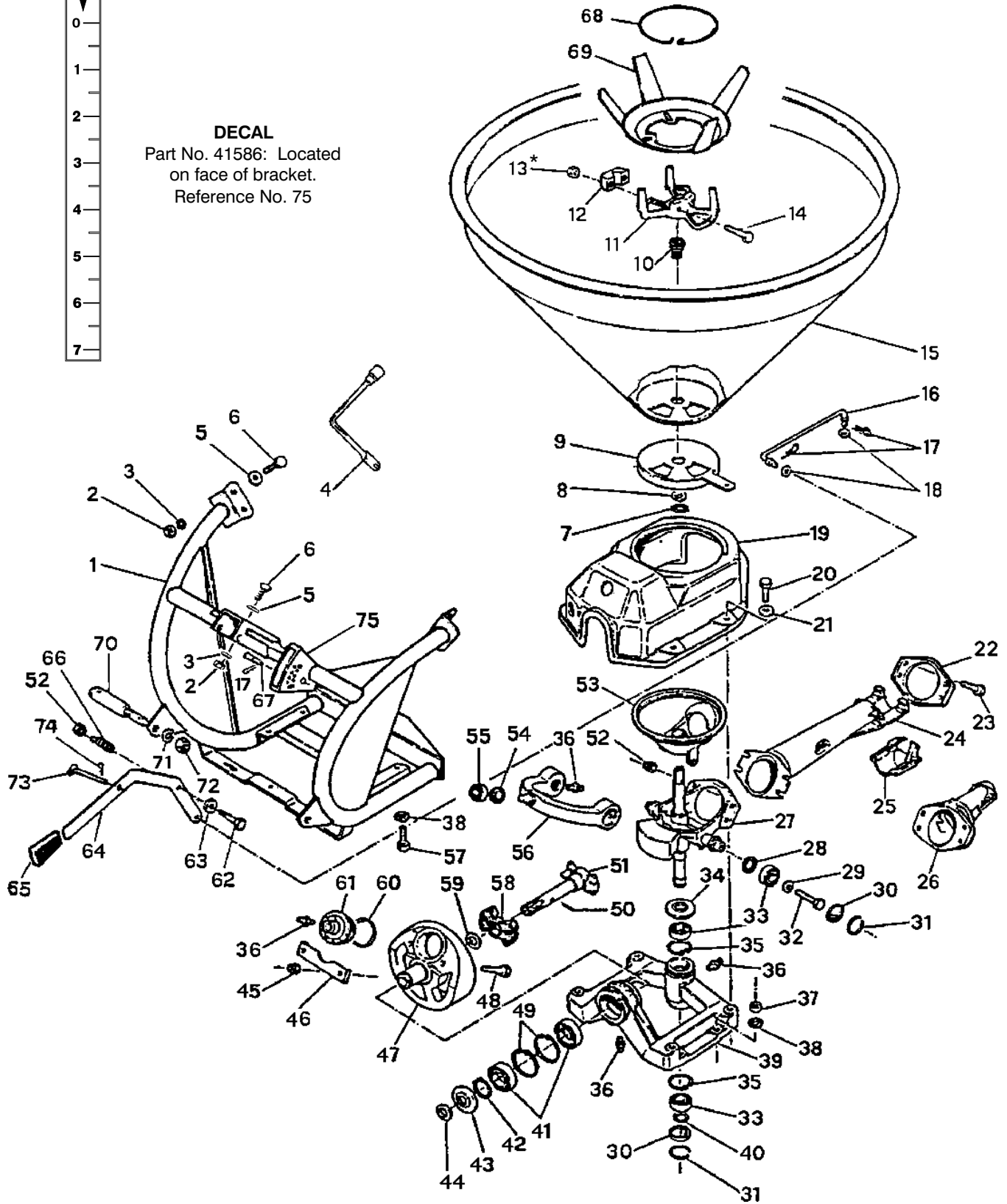


Part No. 62-5550: Located one on each side of Spreader Frame.

PA-17 SPREADER



DECAL
 Part No. 41586: Located
 on face of bracket.
 Reference No. 75



* Torque to 65 ft. lbs.

SPREADER

#	Part No.	Description	Qty
1	41494	Spreader Frame	1
2	41551	Hex Nut	6
3	41557	Washer, Internal Tooth	6
4	41576	ARC Adjustment wrench	1
5	41558	Flat Washer	6
6	41543	Hex Hd. Cap Screw	6
7	41536	Ring Nut	1
8	41496	Ring	1
9	41497	Dosing Disc	1
10	41498	Agitator Bush-Guide	1
11	41499	Agitator	1
12	42869	Agitator Fixing Plate	1
13	22-16-BJFD	Hex Nut (torque to 65 ft. lbs.)	2
14	20-110-BGD	Hex Hd. Cap Screw	2
15	41505	Steel Hopper - Model 41150	1
15	42473	Steel Hopper - Model 41550	1
16	41500	Adjustment Lever	1
17	41541	Hair Pin Cotter	3
18	41559	Flat Washer	2
19	41501	Protection Casing	1
20	41545	Hex Hd. Cap Screw	4
21	356308	Flat Washer	4
22	41502	Coupling Flange	1
23	41546	Hex Hd. Cap Screw	4
24	41503	Pendulum Spout	1
25	41504	Cup	1
26	41506	Sand Spout	1
27	41507	Spout Mounting	1
28	41508	Gasket	2
29	41509	Washer	3
30	41510	Fork-Protection Cover	3
31	41511	Ring	3
32	41547	Hex Hd. Cap Screw	2
33	41533	Bearing	4
34	41512	Shaft Cover	1
35	41537	Retaining Ring	2
36	41563	Grease Fitting	5
37	41553	Hex Nut	4
38	41561	Washer-Internal Tooth	4
39	41513	Spreader-Unit Mounting	1

#	Part No.	Description	Qty
40	41538	Retaining Ring	1
41	41534	Bearing	2
42	41539	Retaining Ring	1
43	41515	Front Cover	1
44	41516	Front Washer	1
45	41554	Hex Nut Self-Locking	2
46	41517	Fixing Plate	1
47	41518	Handwheel	1
48	41548	Hex Hd. Cap Screw	2
49	41540	Retaining Ring	2
50	41542	Roll Pin	1
51	41519	Shaft	1
52	41555	Hex Nut Self-Locking	5
53	41520	Cup	1
54	92-0039	Fork Guard	1
55	41535	Bearing	1
56	41522	Fork	1
57	41549	Hex Hd. Cap Screw	4
58	41523	Rubber Shock Absorber	1
59	41524	Washer	1
60	41525	Ring	1
61	41526	Stroke Adjuster	1
62	41550	Hex Hd. Cap Screw	1
63	41527	Bakelite Disc	1
64	41529	Adjustment Lever	1
65	41530	Hand Grip	1
66	41531	Compression Spring	1
67	41528	Stroke Stop Pin	1
68	41579	Agitator Locking Ring	1
69	41578	Agitator Rim	1
70	41532	Pin-Lower Hitch (f/w PTO Shaft Kit, Model 41156)	2
71	41562	Lock Washer (f/w PTO Shaft Kit, Model 41156)	2
72	41556	Hex Nut (f/w PTO Shaft Kit, Model 41156)	2
73	92-3952	Calibration Spacer Ass'y	1
74	328964	Hair Pin Cotter	1
75	95-2147	Regulator Bracket and Decal	1

PRODUCT CHANGES

In an effort to make improvements available to TORO owners as quickly as possible, minor changes are incorporated into Toro's Products from time to time that do not become immediately shown in the Parts Catalog. If such a change has been made in your unit which is not reflected in your manual, see your TORO distributor or his Authorized TORO Service Dealer for information and part numbers.

IDENTIFICATION AND ORDERING

MODEL AND SERIAL NUMBERS

All TORO products have identification numbers; a model number and sometimes a serial number. In any correspondence concerning the unit, supply the model number and, if available, serial numbers to ensure correct information and replacement parts are obtained.

To order replacement parts from an Authorized TORO Service Dealer, supply the following information:

1. Model and serial number of your vehicle.
2. Part number, description, and the quantity of part(s) desired.

NOTE: Do not order by reference number if a parts catalog is being used; Use the PART NUMBER.

The Toro Promise A One Year Limited Warranty

The Toro Company promises to repair your Model 41150 Spreader if defective in materials or workmanship. The following time periods from the date of purchase apply special warranty terms, on certain components, may be offered through The Toro Company by the component manufacturers:

Commercial Products.....1 Year

The cost of parts, labor and transportation are included.

If you feel your TORO Product is defective and wish to rely on The Toro Promise, the following procedure is recommended:

1. Contact your Authorized TORO Distributor or Commercial Dealer (the Yellow Pages of your telephone directory is a good reference source).
2. The TORO Distributor or Commercial Dealer will advise you on the arrangements that can be made to inspect and repair your product.
3. The TORO Distributor or Commercial Dealer will inspect the product and advise you whether the product is defective and, if so, make all repairs necessary to correct the defect without an extra charge to you.

If for any reason you are dissatisfied with the distributor's analysis of the defect or the service performed, you may contact us.

Write:

TORO Commercial Products Service Department
8111 Lyndale Avenue South
Bloomington, MN 55420-1196

The above remedy of product defects through repair by an Authorized TORO Distributor or Commercial Dealer is the purchaser's sole remedy for any defect.

THERE IS NO OTHER EXPRESS WARRANTY. ALL IMPLIED WARRANTIES OF MERCHANTABILITY AND FITNESS FOR USE ARE LIMITED TO THE DURATION OF THE EXPRESS WARRANTY.

Some states do not allow limitations on how long an implied warranty lasts, so the above limitation may not apply to you.

This Warranty applies only to parts or components which are defective and does not cover repairs necessary due to normal wear, misuse, accidents, or lack of proper maintenance. Regular, routine maintenance of the unit to keep it in proper operating condition is the responsibility of the owner.

All warranty repairs reimbursable under The Toro Promise must be performed by an Authorized Toro Commercial Dealer or Distributor using Toro approved replacement parts.

Repairs or attempted repairs by anyone other than an Authorized TORO Distributor or Commercial Dealer are not reimbursable under The TORO Promise. In addition, these unauthorized repair attempts may result in additional malfunctions, the correction of which is not covered by warranty.

THE TORO COMPANY IS NOT LIABLE FOR INDIRECT, INCIDENTAL OR CONSEQUENTIAL DAMAGES IN CONNECTION WITH THE USE OF THE PRODUCT INCLUDING ANY COST OR EXPENSE OF PROVIDING SUBSTITUTE EQUIPMENT OR SERVICE DURING PERIODS OF MALFUNCTION OR NON-USE.

Some states do not allow the exclusion of incidental or consequential damages, so the above exclusion may not apply to you.

This warranty gives you specific legal rights, and you may also have other rights which vary from state to state.

COUNTRIES OTHER THAN THE UNITED STATES OR CANADA

Customers who have purchased TORO products exported from the United States or Canada should contact their TORO Distributor (Dealer) to obtain guarantee policies for your country, province, or state. If for any reason you are dissatisfied with your Distributor's service or have difficulty obtaining guarantee information, contact the TORO importer. If all other remedies fail, you may contact us at The Toro Company.

Compliance with Radio Interference Regulations Certified.