



Count on it.

Parts Catalog

**Greensmaster® 3400 TriFlex®
Traction Unit**

Model No. 04520—Serial No. 418200000 and Up



Ordering Replacement Parts

To order replacement parts, please supply the part number, the quantity, and the description of each part desired.

Understanding Reference Numbers

Each identified part in an illustration has a reference number. The reference number for a part also appears in the parts list, along with other information about the part.

This catalog uses two special reference number formats, one to indicate parts in a service assembly and another to indicate the quantity of a given part in an illustration.

Service Assembly Reference Numbers

Parts in service assemblies have reference numbers in the form a:b. The a represents the reference number of the entire service assembly and the b represents a sequential number unique to each part within the service assembly.

For example, a wheel assembly might be identified by reference number 6, the tire by 6:1, the valve by 6:2, and the wheel by 6:3. When you order the assembly identified by reference number 6, you receive all parts identified by reference numbers 6:1, 6:2, and 6:3. However, you may also order any part individually. Reference numbers of this type appear in illustration and in parts lists.

Reference Numbers Indicating Quantity

In an illustration, if a reference number indicates more than one part, the reference number has the form nX y. The n represents the quantity of the part, the X is the multiplication symbol, and the y represents the reference number.

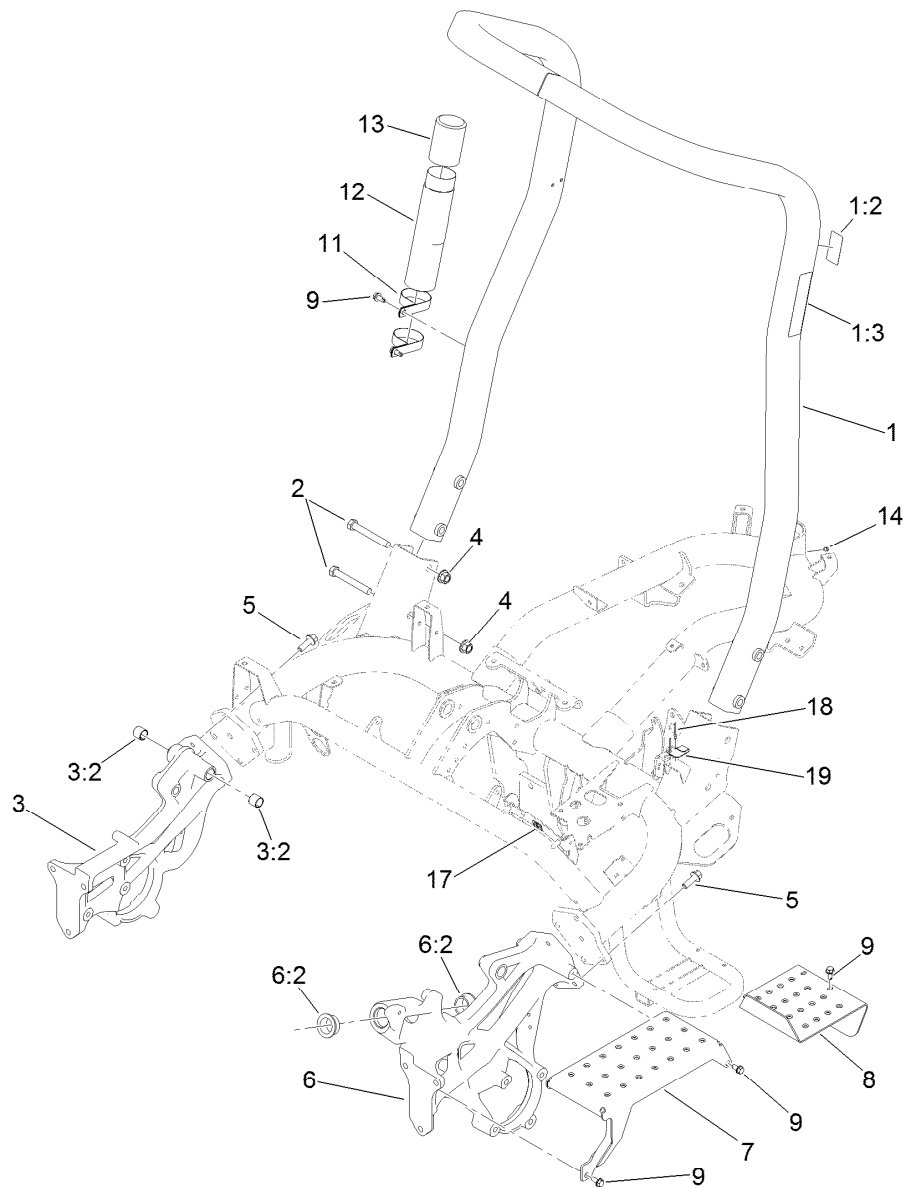
For example, in an illustration, the reference number 2X 37 means that two of the parts identified by reference number 37 are indicated.

Contents

Roll-Over Protection System Assembly	5
Brake Cable Grommet Assembly	6
Frame Assembly	7
Platform Assembly	8
Right Hand Support Platform Assembly	9
Seatbase Assembly	10
Steering Arm and Adjuster Assembly	11
Brake Cable and Lever Assembly	12
Back Wheel Assembly	13
Hydraulic Cylinder Assembly No. 117-4480	14
Front Wheel Assembly	15
Right Hand Brake Assembly No. 139-2722	16
Left Hand Brake Assembly No. 139-2721	17
Left Hand Wheel Motor Assembly No. 117-4303	18
Right Hand Wheel Motor Assembly No. 117-4302	19
Console and Reel Control Assembly	20
Traction Interface Control Assembly	21
Ignition and Throttle Control Assembly	22
Console Cable Routing Assembly	23
Engine and Exhaust Assembly	24
Radiator, Fuel Pump and Air Cleaner Assembly	26
Air Cleaner Assembly No. 95-5805	27
Radiator, Air Hose and Fuel Line Assembly	28
Bellhousing Assembly	29
Fuel and Hydraulic Tank Assembly	30
Controller Assembly	31
Battery Assembly	32
Wire Harness Assembly	33
Pump Coupling Assembly	34
Hydraulic Pump Assembly No. 139-6474	35
Neutral Centering Assembly	37
Traction Drive Hydraulic Line Assembly	38
Traction Drive Hose Routing Assembly	39
Hydraulic Mow Assembly	40
Hydraulic Mow Manifold Assembly	41
Hydraulic Mow Manifold Assembly No. 147-3079	42
Hydraulic Mow Clamp Assembly	43
Hydraulic Mow Hose Routing Assembly	44
Hydraulic Mow Reel Motor Assembly	45
Hydraulic Reel Motor Assembly No. 115-3321	46
Hydraulic Mow Gear Pump Assembly	47
Hydraulic Gear Pump Assembly No. 114-9956	48
Lift Circuit Assembly	49
Steering Valve Assembly No. 114-4672	51
Hydraulic Cylinder Assembly No. 119-8129	52
Hydraulic Cylinder Assembly No. 119-8128	53
Hydraulic Lift Manifold Assembly	54
Hydraulic Lift Manifold Assembly No. 125-5187	55
Steering Circuit Assembly (1)	56
Steering Circuit Assembly (3)	57
Suspension and Basket Assembly	58
Basket Assembly No. 132-9599	59
Suspension Pin Position Assembly	60
Suspension A-Arm Assembly	61

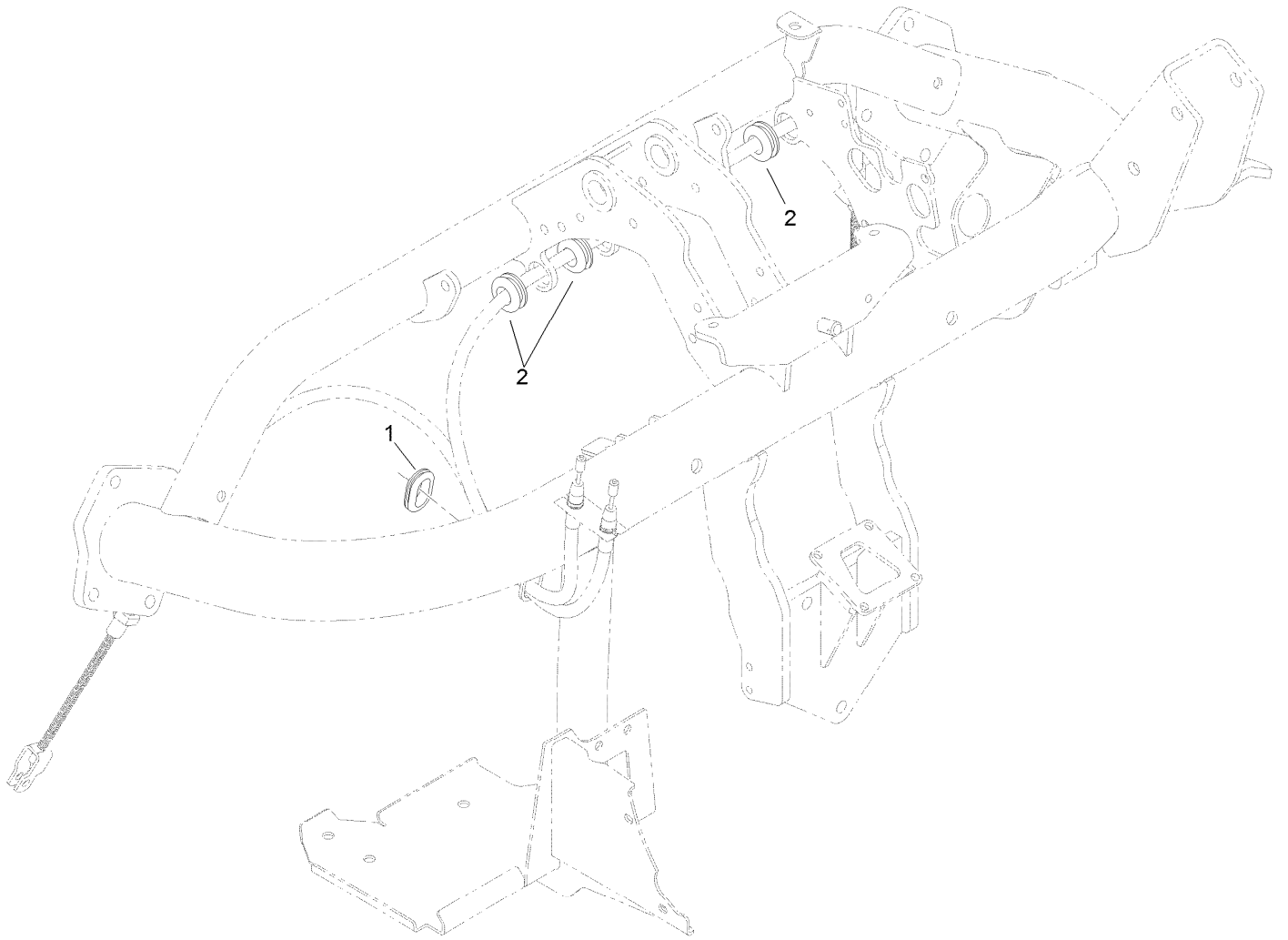
Contents (continued)

Suspension Crossarm Assembly	62
Crankcase Assembly	63
Oil Pan, Oil Pump and Dipstick Assembly	64
Cylinder Head Assembly	65
Gear Case and Oil Filter Cartridge Assembly	66
Cylinder Head Cover Assembly	67
Main Bearing Case Assembly	68
Camshaft and Idle Gear Shaft Assembly	69
Piston and Crankshaft Assembly	70
Fuel Camshaft Assembly	71
Idle Apparatus and Fuel Pump Cover Assembly	72
Stop Solenoid and Speed Control Plate Assembly	73
Injection Pump Assembly	74
Governor Assembly	75
Nozzle Holder and Glow Plug Assembly	76
Nozzle Holder Assembly	77
Alternator and Pulley Assembly	80
Alternator Components Assembly	81
Starter and Flywheel Assembly	82
Starter Component Assembly	83
Water Flange and Thermostat Assembly	84
Water Pump and Water Pipe Assembly	85
Valve and Rocker Arm Assembly	86
Inlet and Exhaust Manifold Assembly	87
Attachments and Accessories	88



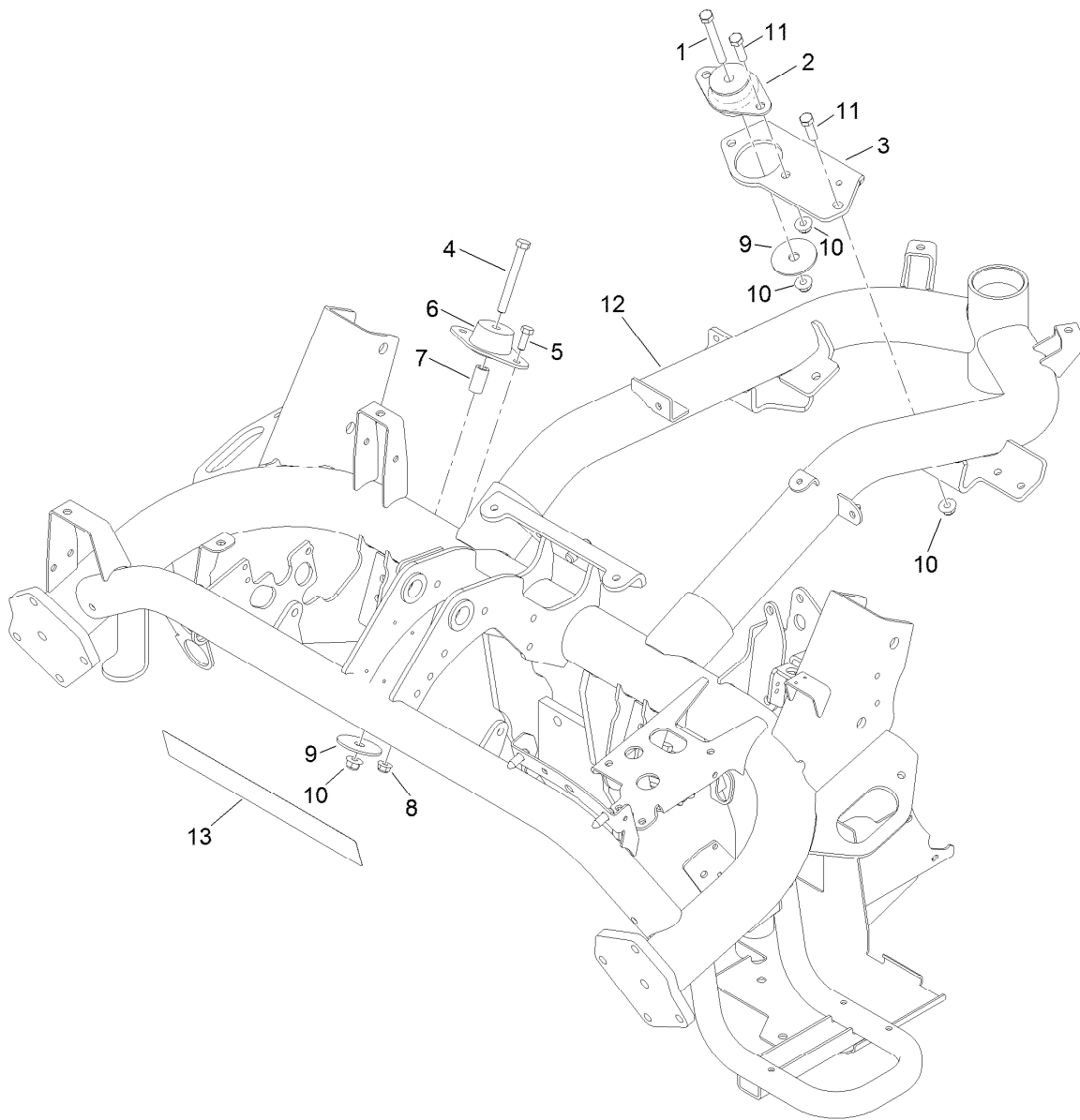
Roll-Over Protection System Assembly

<i>Ref.</i>	<i>Part Number</i>	<i>Qty.</i>	<i>Description</i>	<i>Ref.</i>	<i>Part Number</i>	<i>Qty.</i>	<i>Description</i>
1	115-8206	1	ROPS ASM	7	117-9051-01	1	Step
1:2	115-8199	1	Decal-ROPS	8	119-4468-01	1	Plate-Step
1:3	115-8226	1	Decal-ROPS	9	32104-32	9	Screw-HWH
2	325-35	4	Screw-HH	11	2412-133	2	Clamp-R
3	117-9023	1	Casting-Side, RH	12	104-7050	1	Tube-Manual
3:2	94-9609	2	Bushing-Straight	13	104-7048	1	Cap-Housing
4	99-5107	4	Nut-HF Nylock	14	302-59	1	Plug-EXT Hex Spl
5	117-9035	8	Screw-HHF	17	119-1730	1	Receptacle-Clip, Mini
6	117-9022	1	Casting-Side, LH	18	3269-32	2	Rivet-Pop
6:2	60-0080	2	Bushing	19	121-5865	1	Clip-Cover, Back



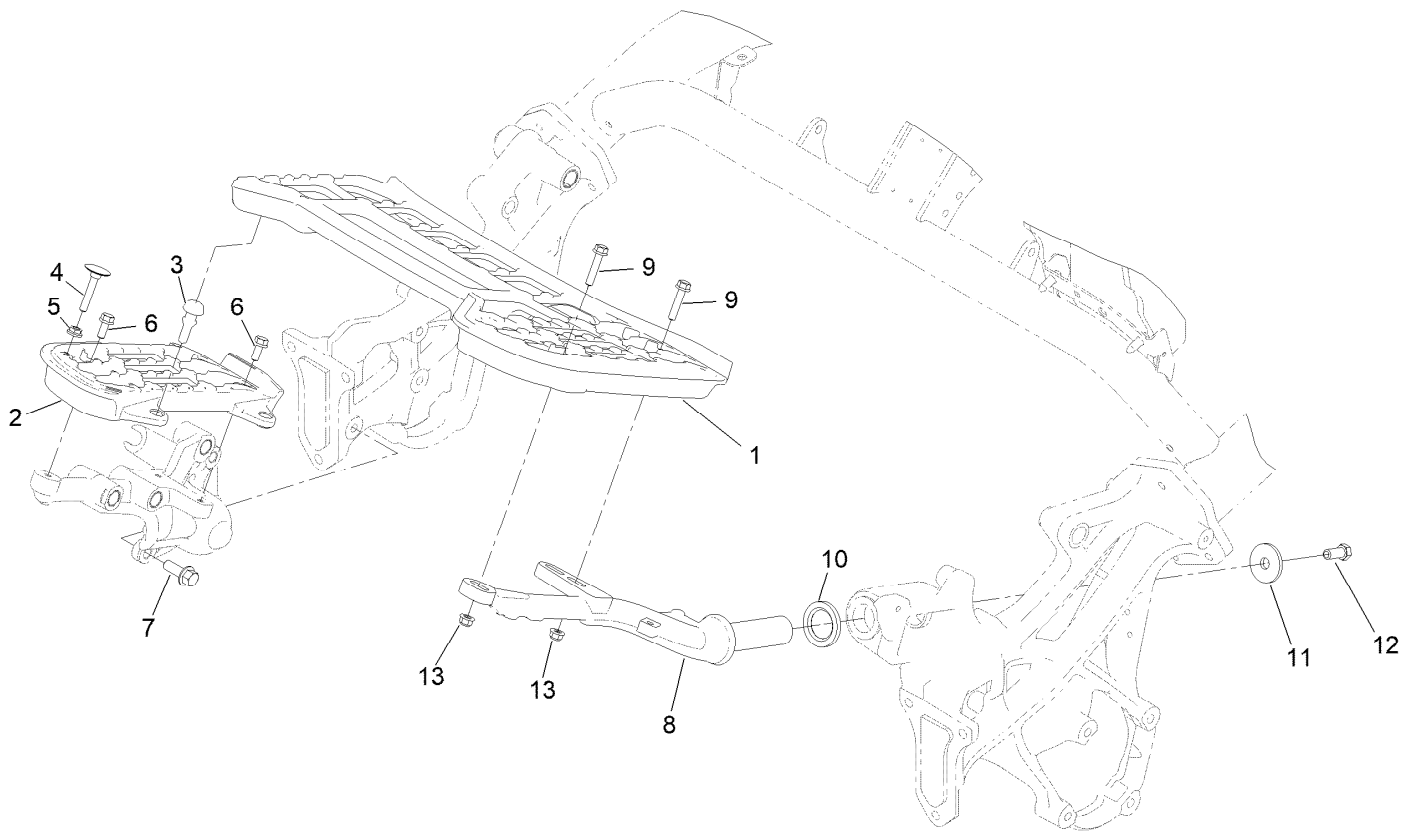
Brake Cable Grommet Assembly

<i>Ref.</i>	<i>Part Number</i>	<i>Qty.</i>	<i>Description</i>
1	240-5	1	Grommet
2	98-8529	3	Grommet



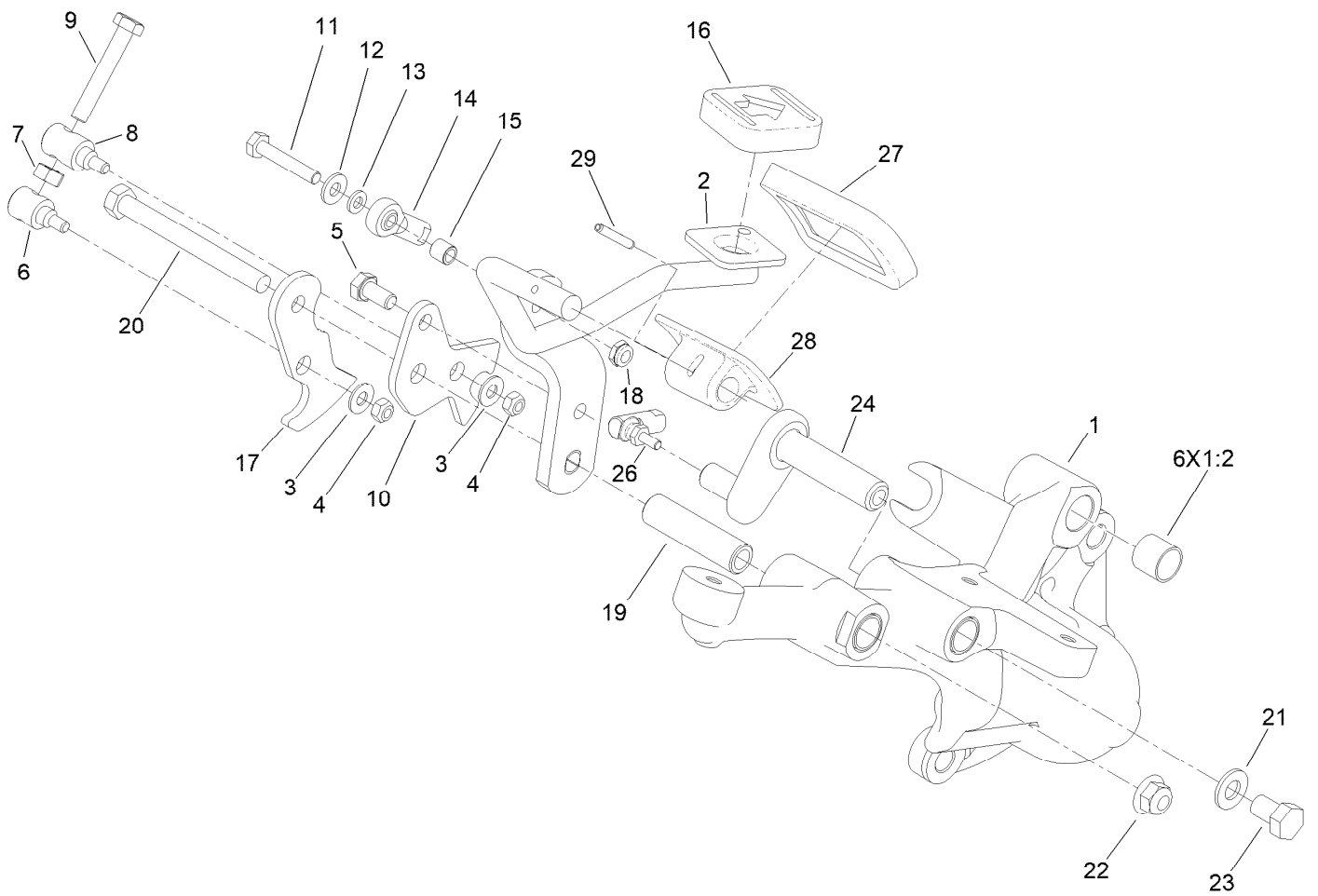
Frame Assembly

<i>Ref.</i>	<i>Part Number</i>	<i>Qty.</i>	<i>Description</i>
1	323-14	1	Screw-HH
2	131-1821	1	Mount-Engine
3	119-2134-01	1	Bracket-Mount, Rear
4	323-20	2	Screw-HH
5	322-4	4	Screw-HH
6	121-9076	2	Mount-Engine
7	110-4631	2	Tube-Spacer
8	104-8300	4	Nut-HF, NI
9	87-5100	3	Washer-Snubbing
10	104-8301	6	Nut-HF, NI
11	323-7	3	Screw-HH
12	147-3071-01	1	Frame ASM [red]
13	119-9347	1	Decal



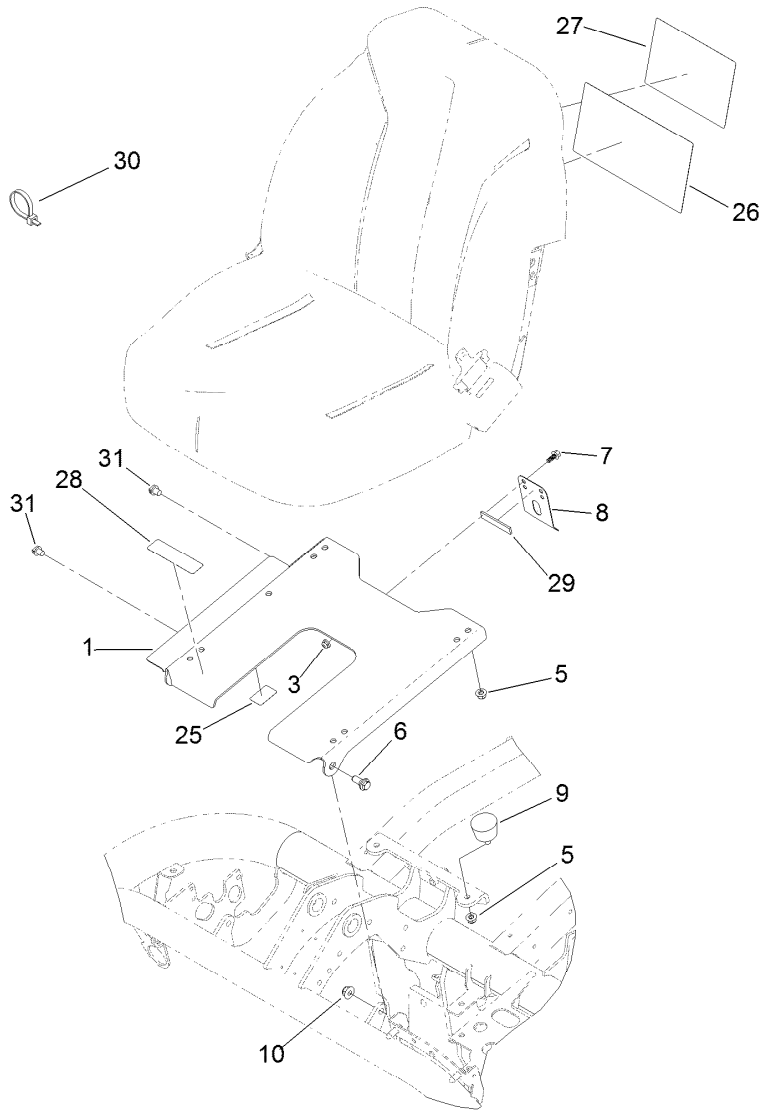
Platform Assembly

<i>Ref.</i>	<i>Part Number</i>	<i>Qty.</i>	<i>Description</i>
1	137-7768	1	Platform-LH
2	117-9008	1	Platform-RH
3	117-9072	2	Bumper-Rubber
4	115-8240	1	Screw-Elevator
5	32128-20	1	Nut-HF
6	3234-47	3	Screw-HHF
7	117-9035	3	Screw-HHF
8	139-8575-01	1	Support-Platform, LH (Mach)
9	115-1794	3	Screw-HHF
10	94-8946	1	Washer-Thrust
11	84-1560	1	Washer-Thrust
12	324-4	1	Screw-HH
13	104-8300	3	Nut-HF, NI



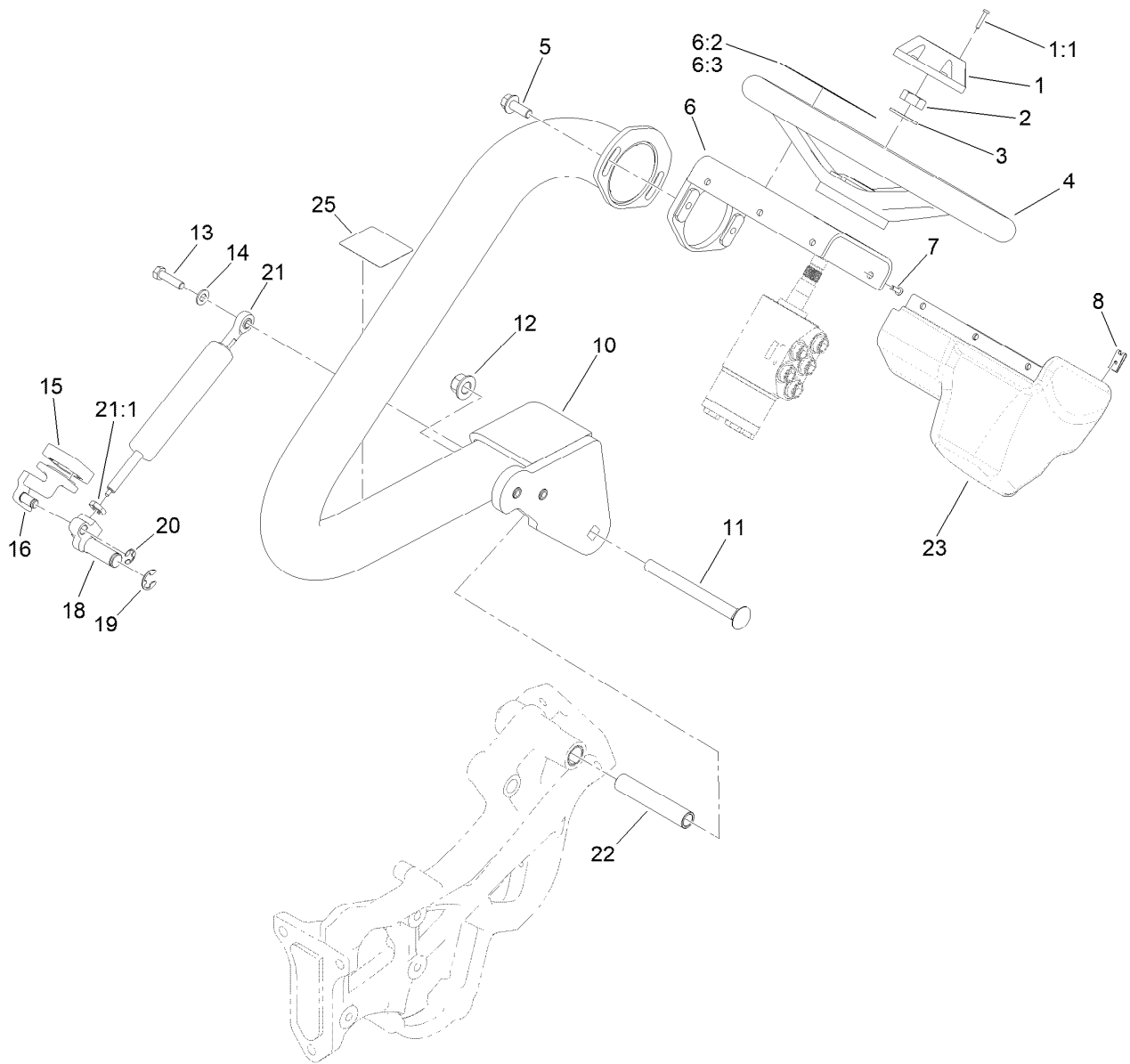
Right Hand Support Platform Assembly

<i>Ref.</i>	<i>Part Number</i>	<i>Qty.</i>	<i>Description</i>	<i>Ref.</i>	<i>Part Number</i>	<i>Qty.</i>	<i>Description</i>
1	133-2313	1	Support-Platform, RH	15	99-3545	1	Spacer
1:2	256-311	6	Bushing-Split	16	74-9110	1	Pad-Pedal, Reverse
2	119-1725-01	1	Rod-Traction	17	140-5246	1	Bracket-Mow
3	3256-1	2	Washer-Flat	18	3296-56	1	Nut-Lock, NI
4	33023-00	2	Nut-Lock	19	94-1371	1	Spacer
5	33114-016	1	Screw-HH	20	323-42	1	Screw-HH
6	94-1374	1	Trunnion-Bracket, Mow	21	3256-24	1	Washer-Plain
7	33014-00	1	Nut-Hex	22	104-8301	1	Nut-HF, NI
8	94-1375	1	Trunnion-Bracket, Lock	23	33115-016	1	Screw-HH
9	94-3489	1	Screw-HH	24	140-6108	1	Pin-Flag, Neutral Lock
10	117-9021	1	Bracket-Lock	26	2411-38	1	Joint-Ball
11	321-9	1	Screw-HH	27	74-9100	1	Pad-Pedal, Forward
12	3256-22	1	Washer-Flat	28	117-9507	1	Pedal-Accelerator
13	33093-00	1	Washer-Flat	29	32121-45	1	Pin-Spring
14	2411-41	1	Rod End-Ball Joint				



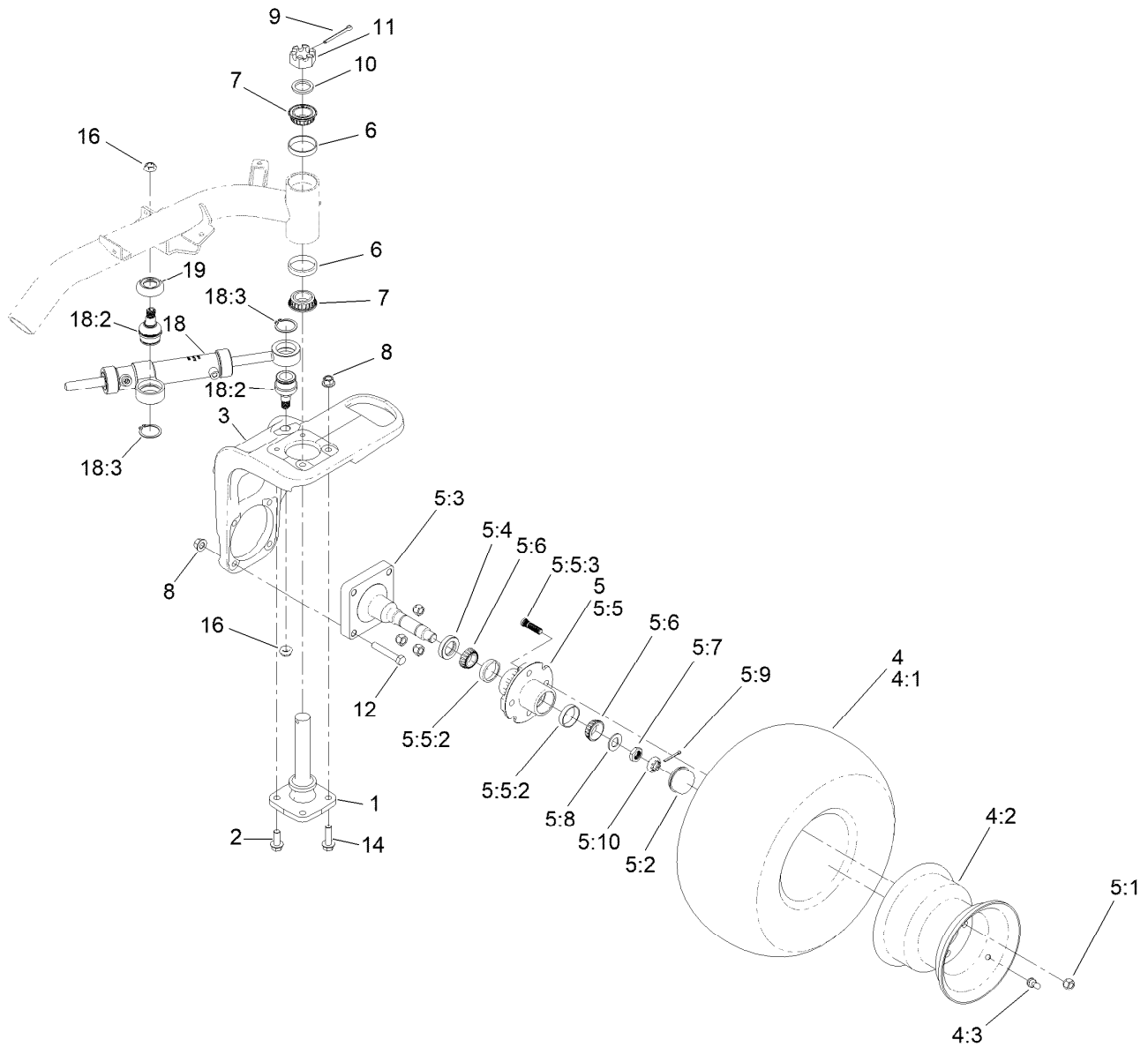
Seatbase Assembly

<i>Ref.</i>	<i>Part Number</i>	<i>Qty.</i>	<i>Description</i>	<i>Ref.</i>	<i>Part Number</i>	<i>Qty.</i>	<i>Description</i>
1	136-8405-03	1	Plate-Seat	26	115-8174	1	Decal-Service, Italian
3	104-7201	2	Nut-HF, NI	26	115-8175	1	Decal-Service, Portuguese
5	104-8300	2	Nut-HF, NI	26	115-8176	1	Decal-Service, Norwegian
6	94-7582	2	Bolt-Shoulder	26	115-8177	1	Decal-Service, Finnish
7	99-6810	2	Screw-HHF	26	115-8178	1	Decal-Service, Danish
8	66-2630	1	Latch-Seat	26	115-8179	1	Decal-Service, Dutch
9	68-3270	2	Bumper-Rubber	26	115-8180	1	Decal-Service, Japanese
10	104-8301	2	Nut-HF, NI	26	139-2728	1	Decal-Service, English
25	115-8203	1	Decal-Reference, Fuse (Radiator Fan)	27	115-8156	1	Decal-Speed, Clip
26	115-8170	1	Decal-Service, Spanish	28	133-8062	1	Decal-Spark Arrestor
26	115-8171	1	Decal-Service, French	29	120-5753	1	Strip-Foam
26	115-8172	1	Decal-Service, German	30	3290-379	2	Tie-Cable
26	115-8173	2	Decal, Service, Swedish	31	32180-030	2	Clip-Tie



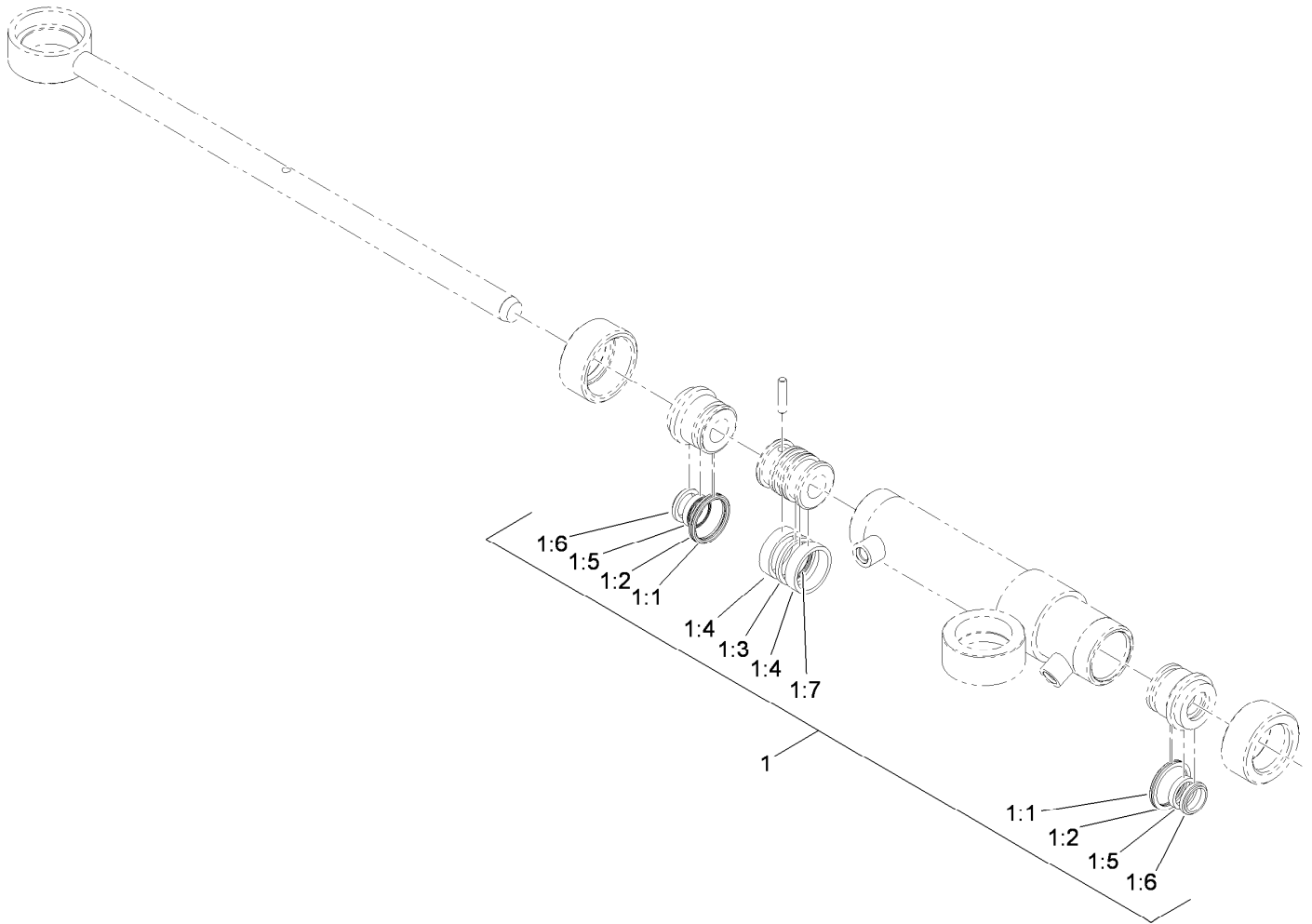
Steering Arm and Adjuster Assembly

<i>Ref.</i>	<i>Part Number</i>	<i>Qty.</i>	<i>Description</i>	<i>Ref.</i>	<i>Part Number</i>	<i>Qty.</i>	<i>Description</i>
1	68-5140	1	Cap-Wheel, Steering	12	99-5107	1	Nut-HF Nylock
1:1	32144-21	1	Screw	13	322-5	1	Screw-HH
2	3296-33	1	Nut-Lock, NI	14	3256-23	1	Washer-Plain
3	3256-27	1	Washer-Flat	15	74-9110	1	Pad-Pedal, Reverse
4	145-0051	1	Steering Wheel	16	138-6456	1	Lever (Mach)
5	3234-42	2	Screw-HHF	18	133-8996	1	Lever-Pivot
6	136-8571	1	Mount-Steering	19	32120-19	1	E-Ring
6:2	136-8506	1	Decal-Danger	20	105-7004	1	E-Ring
6:3	136-8505	1	Decal-Danger, CE	21	133-9036	1	Cylinder-Gas
7	3274-39	6	Screw-HSBH	21:1	112-8617	1	Nut-Hex
8	3290-277	6	Nut-Speed	22	117-9002	1	Spacer
10	145-0093-01	1	Steering Arm ASM [red]	23	119-9300	1	Cover-Valve, Steering
11	140-7029	1	Screw-CARR	25	119-9346	1	Decal-Arm, Steering



Back Wheel Assembly

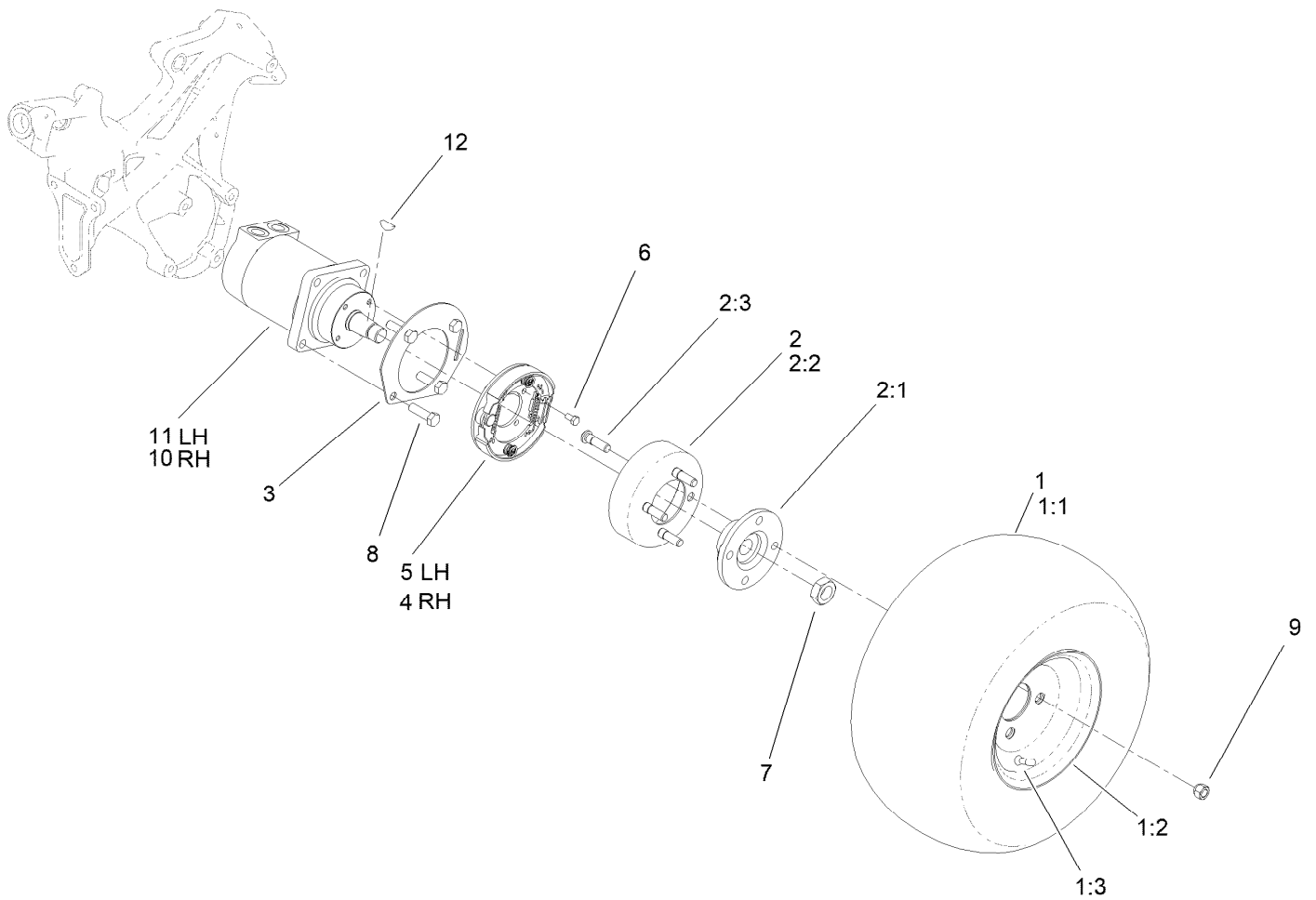
Ref.	Part Number	Qty.	Description	Ref.	Part Number	Qty.	Description
1	115-2657	1	Spindle-Steering	5:8	117-8259	1	Washer-Spindle
2	3234-38	2	Screw-HHF	5:9	3272-18	1	Pin-Cotter
3	145-4578-01	1	Base-Rear Fork (Machining)	5:10	93-0307	1	Nut-Lock, Retainer
4	117-9033	1	Wheel And Tire ASM	6	115-9471	2	Bearing-Cup
4:1	120-2783	1	Tire	7	115-9472	2	Bearing-Cone And Seal
4:2	217-60	1	Rim	8	99-5107	6	Nut-HF Nylock
4:3	232-27	1	Stem-Valve	9	3272-37	1	Pin-Cotter
5	119-4490	1	Wheel Spindle ASM	10	18-6320	1	Washer
5:1	139-2564	4	Nut-Lug	11	32136-9	1	Nut-Hex, Slotted
5:2	241-119	1	Cap-Dust	12	325-12	4	Screw-HH
5:3	112-7173	1	Spindle	14	3234-22	2	Screw-HHF
5:4	112-1690	1	Seal-Oil	16	121-3611	2	Nut-Hex, Flextop
5:5	117-9093	1	Hub ASM	18	161-4735	1	Steering Cylinder ASM
5:5:2	254-72	2	Bearing-Cup, Tapered	18:2	121-3605	2	Ball Joint
5:5:3	114-3918	4	Stud-Wheel	18:3	32151-104	2	Ring-Retaining, External
5:6	254-92	2	Cone-Bearing, Outer	19	120-2026	1	Spacer-Cylinder
5:7	117-8260	1	Nut				



Hydraulic Cylinder Assembly No. 117-4480

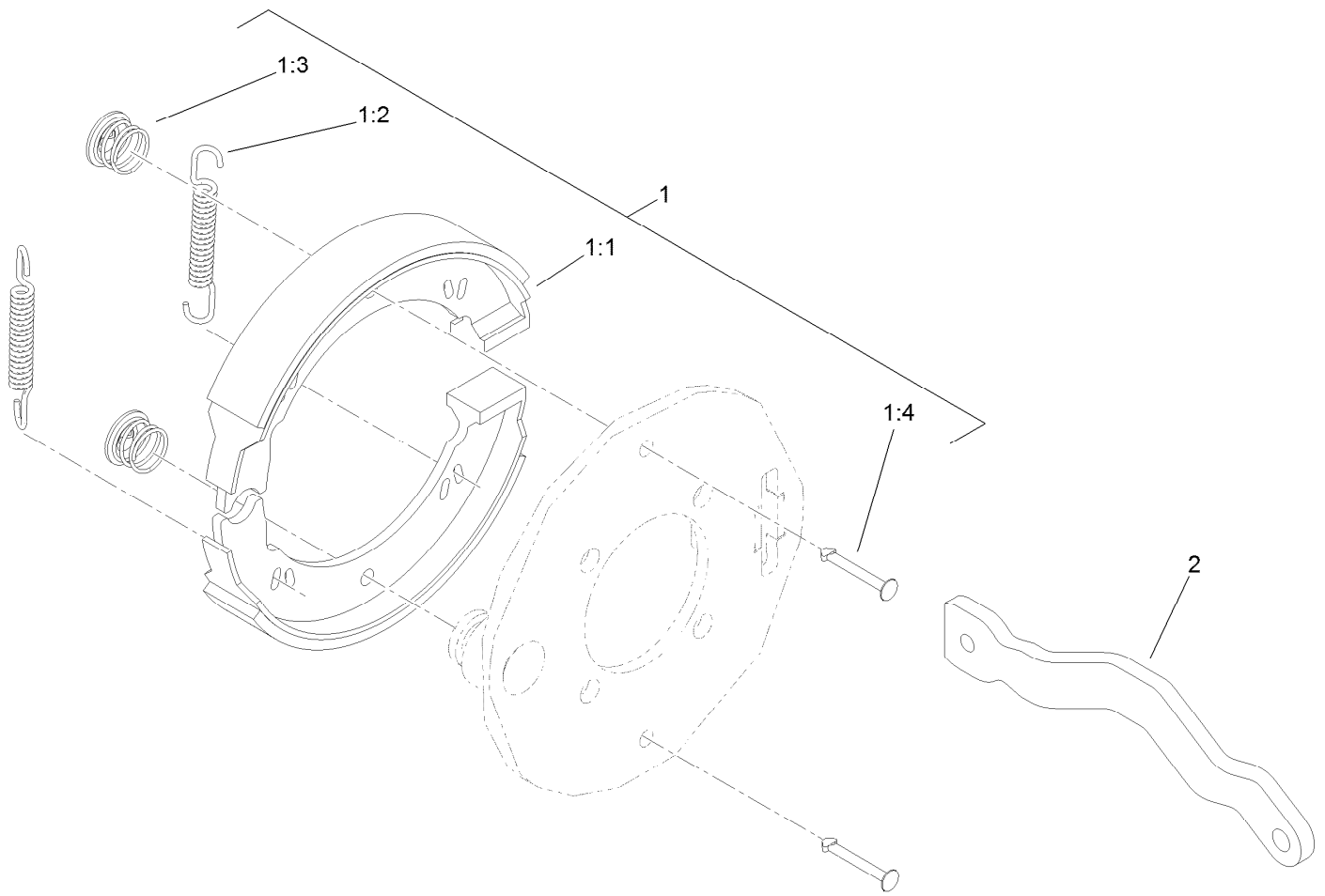
<i>Ref.</i>	<i>Part Number</i>	<i>Qty.</i>	<i>Description</i>
1	119-7124	1	Kit-Seal
1:1		2	O-Ring ●
1:2		2	Ring-Backup ●
1:3		1	Seal-Psp ●
1:4		2	Ring-Wear ●
1:5		2	Seal-Bs ●
1:6		2	Seal-Dust ●
1:7		1	O-Ring ●

● Not serviced separately



Front Wheel Assembly

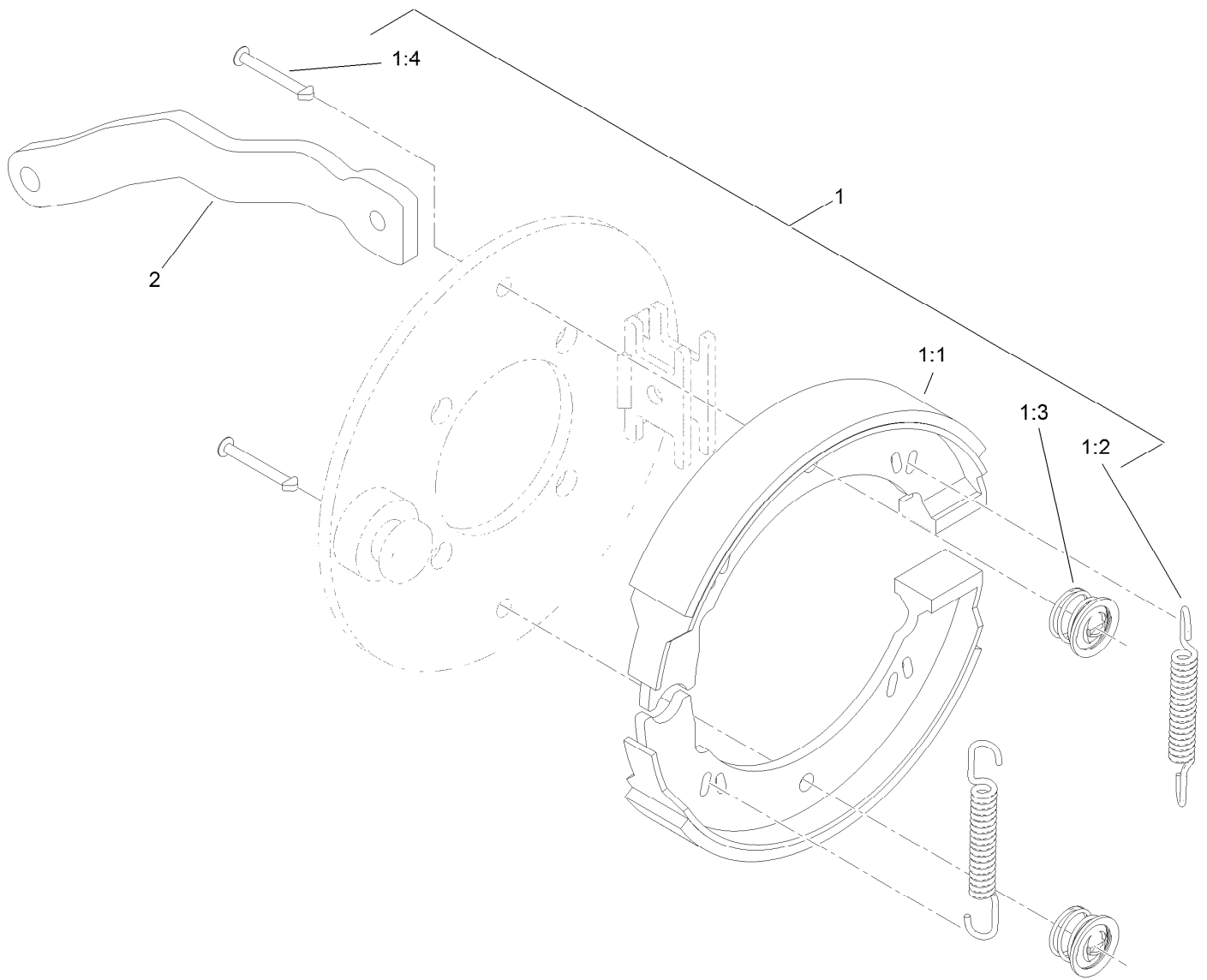
<i>Ref.</i>	<i>Part Number</i>	<i>Qty.</i>	<i>Description</i>	<i>Ref.</i>	<i>Part Number</i>	<i>Qty.</i>	<i>Description</i>
1	117-9030	2	Wheel And Tire ASM	4	139-2722	1	RH Brake ASM
1:1	120-2783	1	Tire	5	139-2721	1	LH Brake ASM
1:2	117-9032	1	Rim	6	322-2	8	Screw-HH
1:3	232-27	1	Stem-Valve	7	26-3790	2	Nut-Lock
2	115-2661	2	Brake Drum ASM	8	325-7	8	Screw-HH
2:1	115-2662-0P	1	Hub-Wheel [primed]	9	139-2564	8	Nut-Lug
2:2	115-2663	1	Drum-Brake	10	117-4302	1	RH Wheel Motor ASM
2:3	85-6540	4	Stud-Drive	11	117-4303	1	LH Wheel Motor ASM
3	114-9998-03	2	Tab-Lever, Brake	12	3257-42	1	Key-Woodruff



Right Hand Brake Assembly No. 139-2722

<i>Ref.</i>	<i>Part Number</i>	<i>Qty.</i>	<i>Description</i>
1	139-2723	1	Kit-Brake
1:1		2	Shoe-Brake ●
1:2		2	Spring ●
1:3		2	Clip ●
1:4		2	Pin-Retainer ●
2	115-5789	1	Lever-Brake, RH

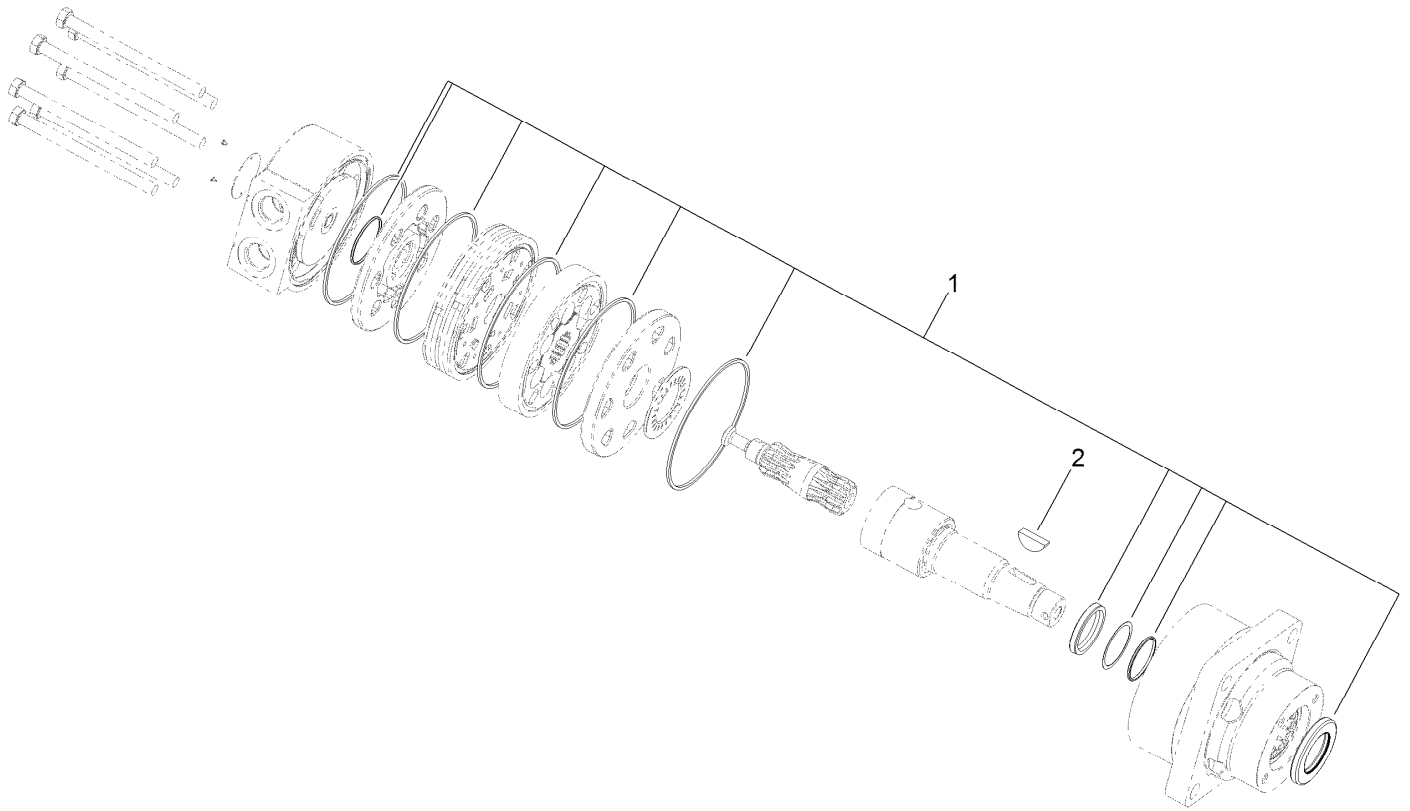
● Not serviced separately



Left Hand Brake Assembly No. 139-2721

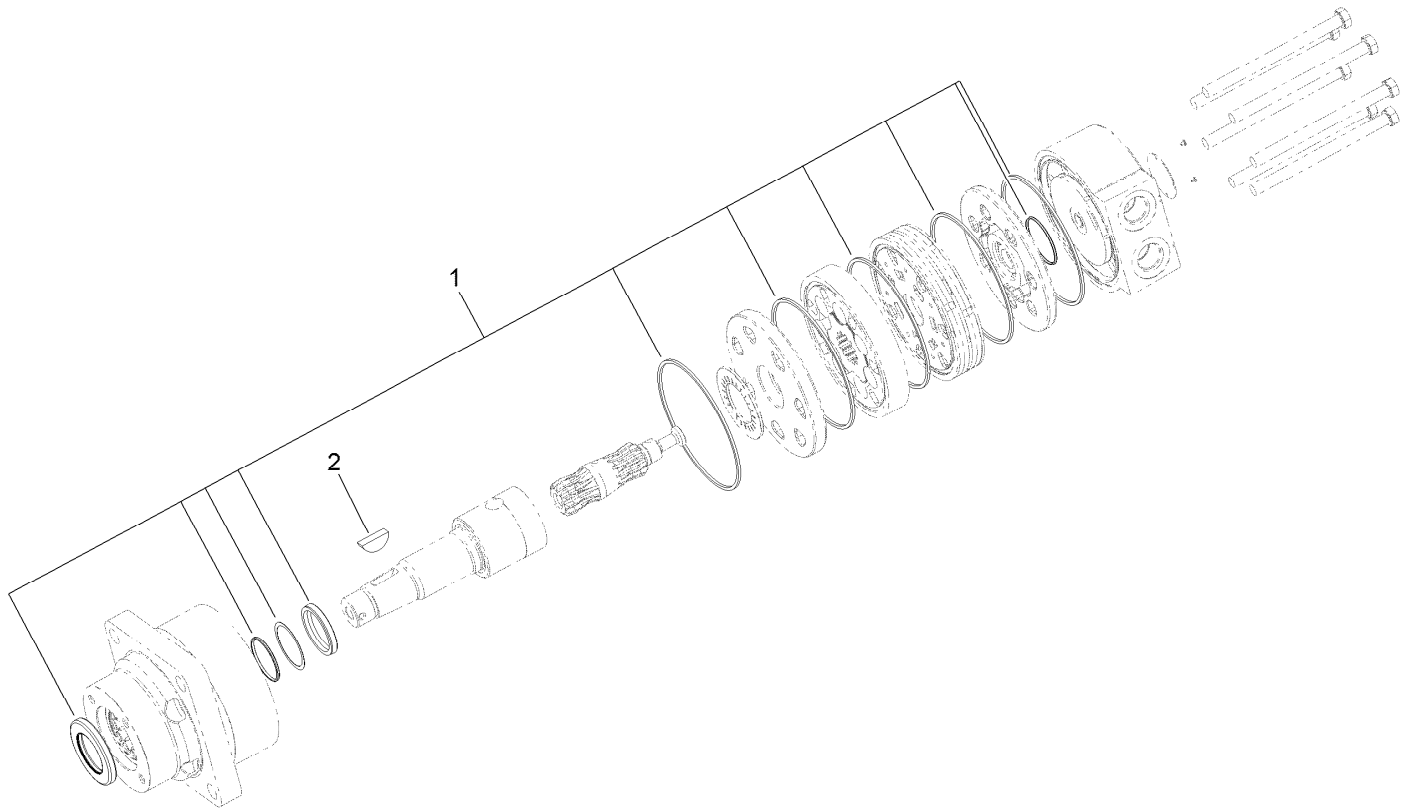
<i>Ref.</i>	<i>Part Number</i>	<i>Qty.</i>	<i>Description</i>
1	139-2723	1	Kit-Brake
1:1		2	Shoe-Brake ●
1:2		2	Spring ●
1:3		2	Clip ●
1:4		2	Pin-Retainer ●
2	115-2664	1	Lever-Brake, LH

● Not serviced separately



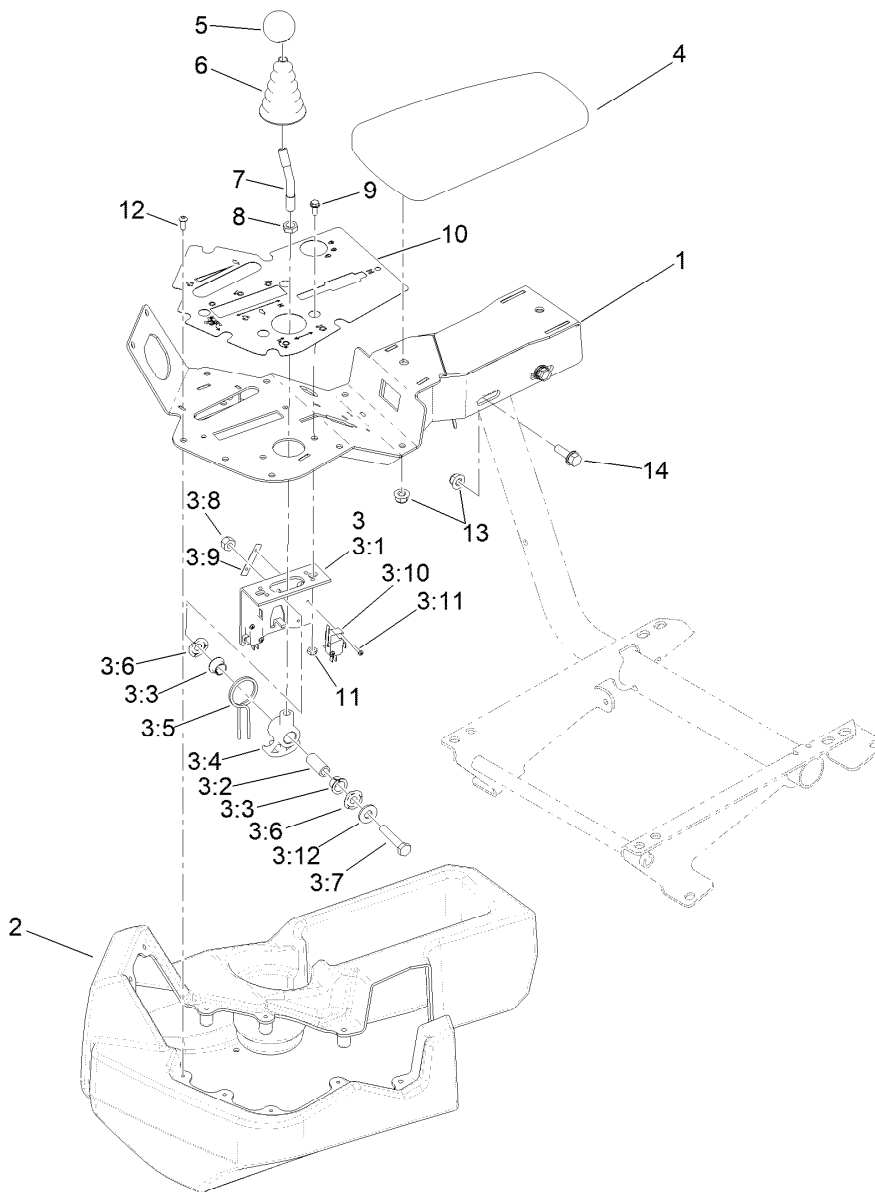
Left Hand Wheel Motor Assembly No. 117-4303

<i>Ref.</i>	<i>Part Number</i>	<i>Qty.</i>	<i>Description</i>
1	94-8178	1	Seal Kit
2	3257-42	1	Key-Woodruff



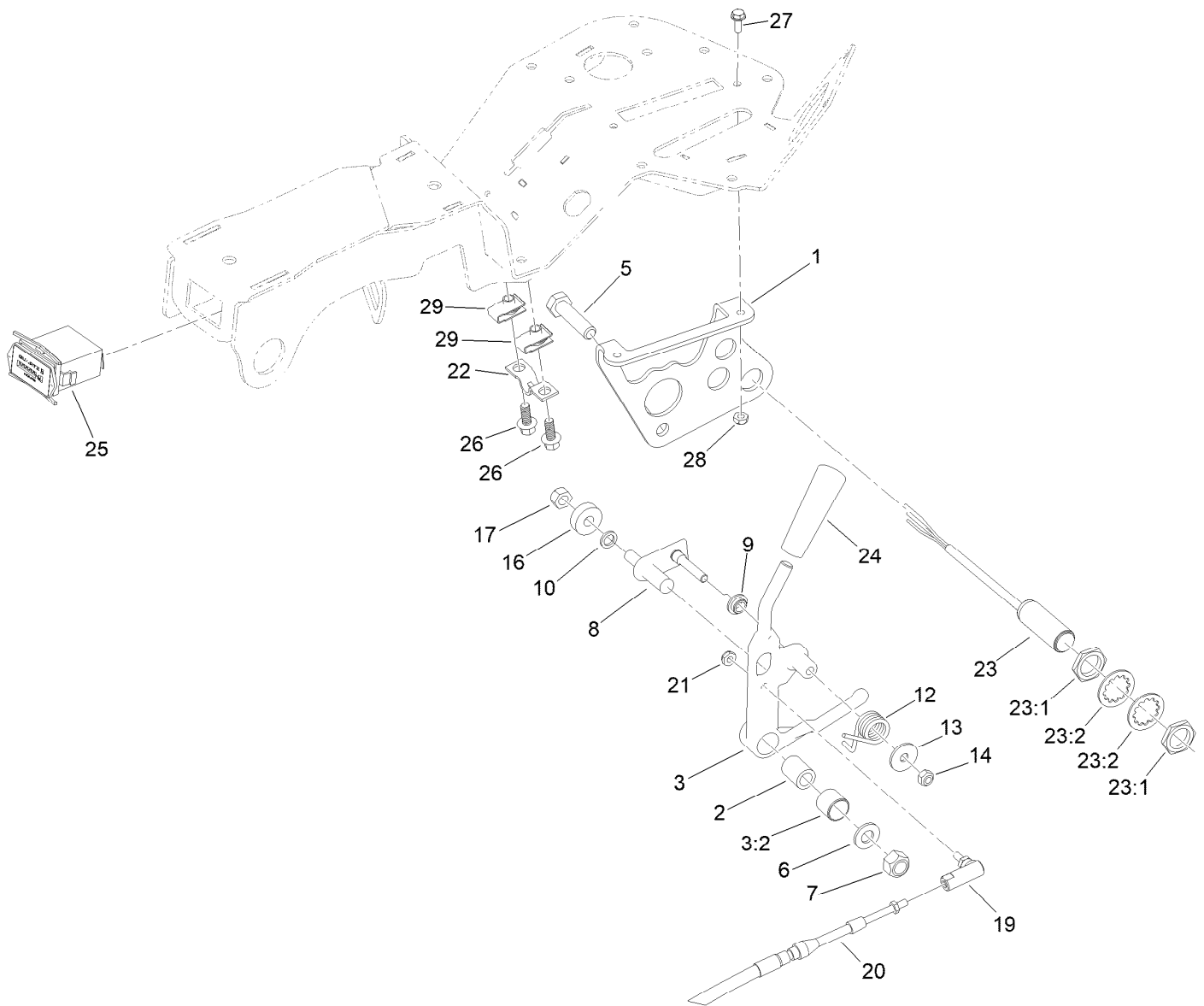
Right Hand Wheel Motor Assembly No. 117-4302

<i>Ref.</i>	<i>Part Number</i>	<i>Qty.</i>	<i>Description</i>
1	94-8178	1	Seal Kit
2	3257-42	1	Key-Woodruff



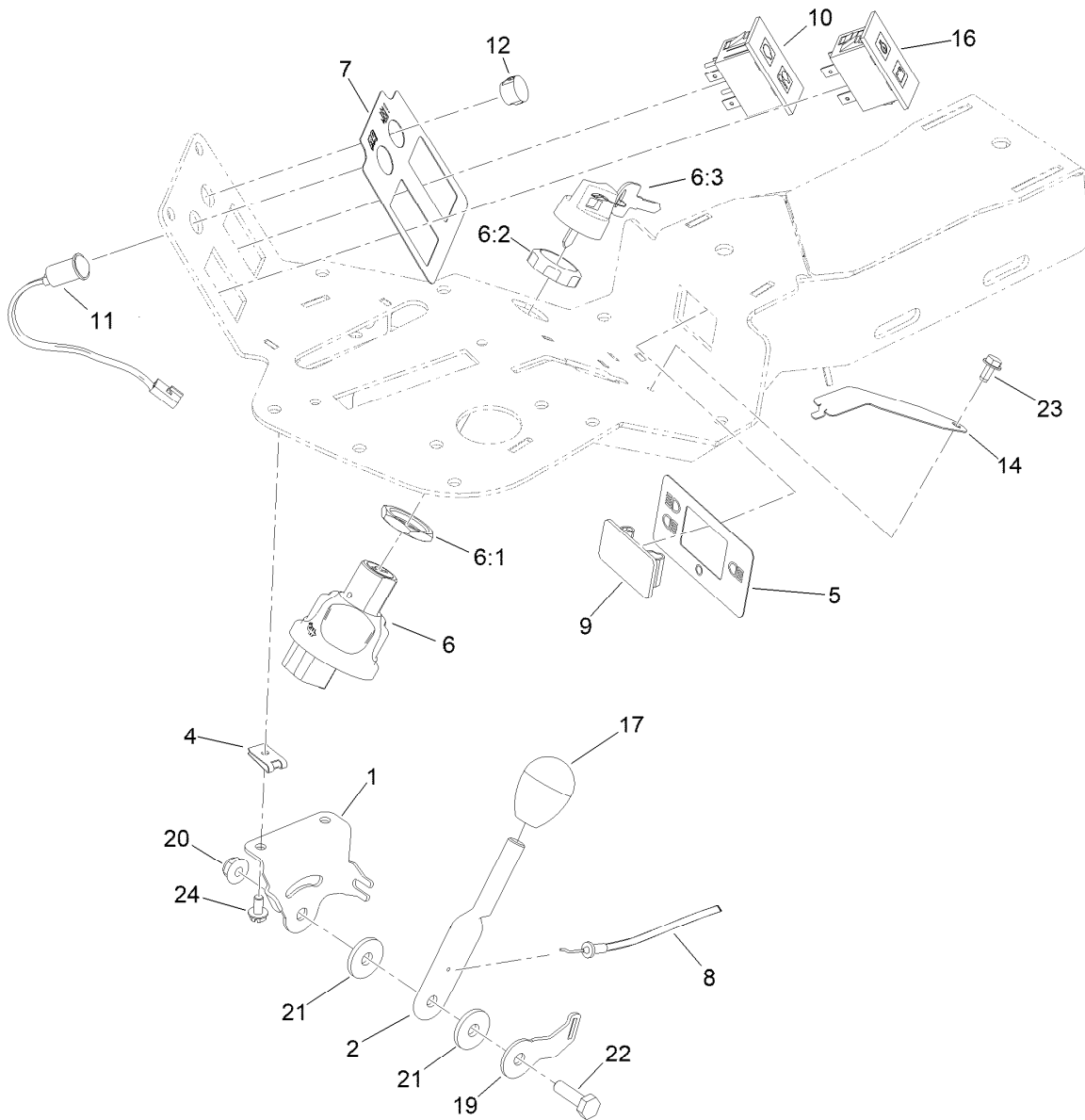
Console and Reel Control Assembly

<i>Ref.</i>	<i>Part Number</i>	<i>Qty.</i>	<i>Description</i>	<i>Ref.</i>	<i>Part Number</i>	<i>Qty.</i>	<i>Description</i>
1	140-5245-03	1	Console ASM [black]	3:11	95-3003	4	Screw-PPHTF
2	132-9955	1	Cover-Console	3:12	3256-3	1	Washer-Flat
3	106-4167	1	Joystick Bracket ASM	4	108-7602	1	Rest-Arm
3:1	115-5357-03	1	Bracket-Joystick	5	120-9752	1	Knob-Round, Yellow
3:2	106-4192	1	Spacer	6	93-5961	1	Boot-Lever
3:3	93-5547	2	Bushing-Nylon	7	121-6681	1	Stem-Joystick
3:4	147-3050	1	Hub-Pivot, Joystick	8	3218-3	1	Nut-Jam
3:5	105-8289	1	Spring-Torsion	9	3290-321	2	Screw-HWH
3:6	106-4193	2	Washer-Finger, Spring	10	139-6493	1	Decal-Console
3:7	322-9	1	Screw-HH	11	3296-12	2	Nut-Lock, NI
3:8	3296-29	1	Nut-Lock, NI	12	115-9830	8	Screw-HSBH
3:9	3290-354	2	Nut-Speed	13	104-8300	4	Nut-HF, NI
3:10	108-6496	2	Switch (W/Boot)	14	3234-29	2	Screw-HHF



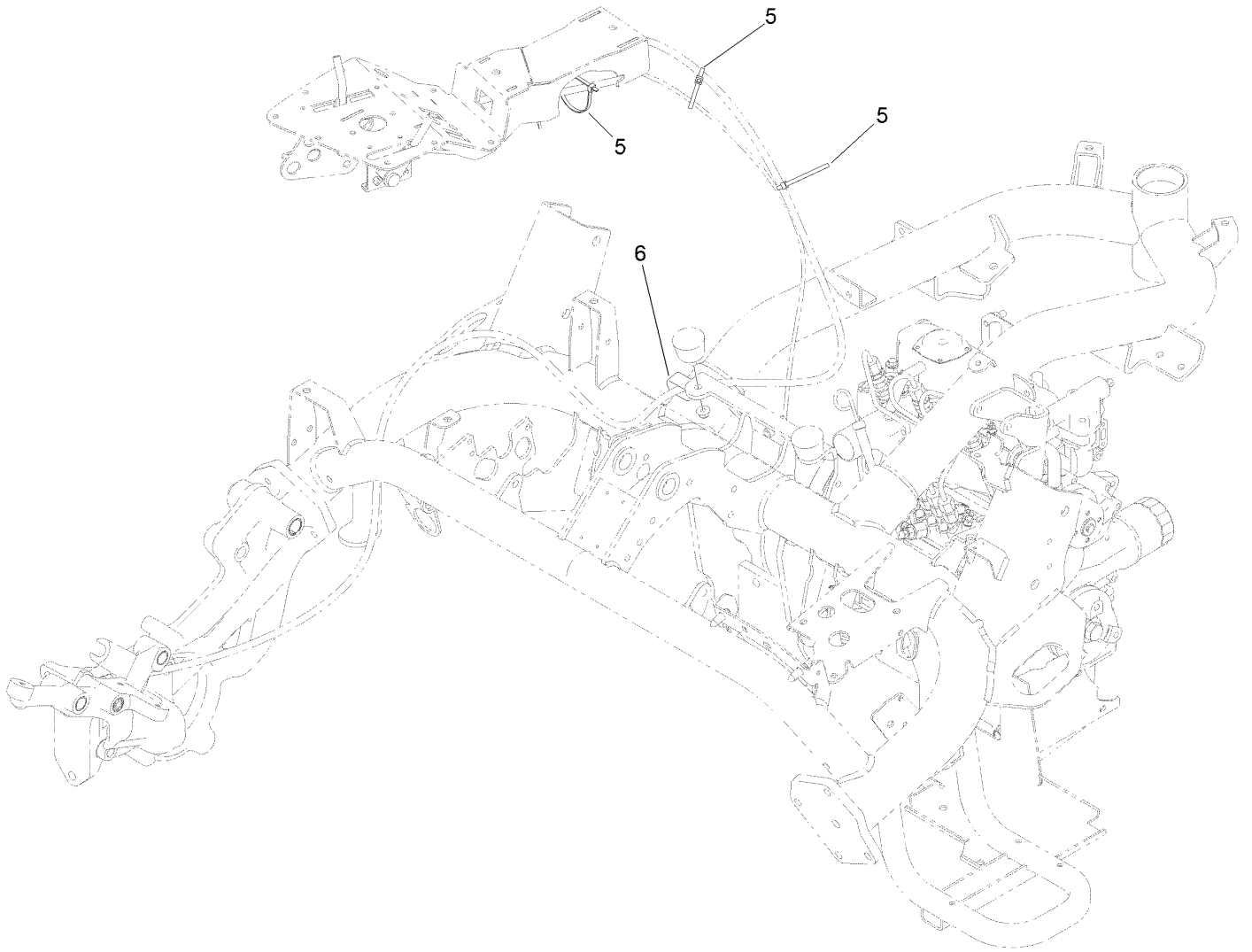
Traction Interface Control Assembly

<i>Ref.</i>	<i>Part Number</i>	<i>Qty.</i>	<i>Description</i>	<i>Ref.</i>	<i>Part Number</i>	<i>Qty.</i>	<i>Description</i>
1	132-3822-03	1	Bracket	17	33024-00	1	Nut-Lock, NI
2	94-1378	1	Tube-Pivot, Handle	19	2411-38	1	Joint-Ball
3	145-0062	1	Handle ASM	20	132-9544	1	Cable-Lock, Neutral
3:2	136-8417	1	Bushing	21	3296-27	1	Nut-Lock, NI
5	33115-040	1	Screw-HH	22	93-2279	1	Clamp-Cable
6	3256-24	1	Washer-Plain	23	115-5300	2	Proximity Switch ASM
7	33025-00	1	Nut-Lock, NI	23:1	117-3207	2	Nut-Hex
8	125-1928	1	Pin	23:2	117-3208	2	Washer-Lock, Internal Tooth
9	94-9619	1	Bushing	24	233-39	1	Knob-Control
10	75-5470	1	Spacer-Bearing	25	120-2244	1	Hourmeter
12	94-9620	1	Spring-Torsion	26	99-6810	2	Screw-HHF
13	3256-67	1	Washer	27	3290-321	2	Screw-HWH
14	33023-00	1	Nut-Lock	28	3296-12	2	Nut-Lock, NI
16	251-259	1	Bearing-Ball	29	107069	2	Clip



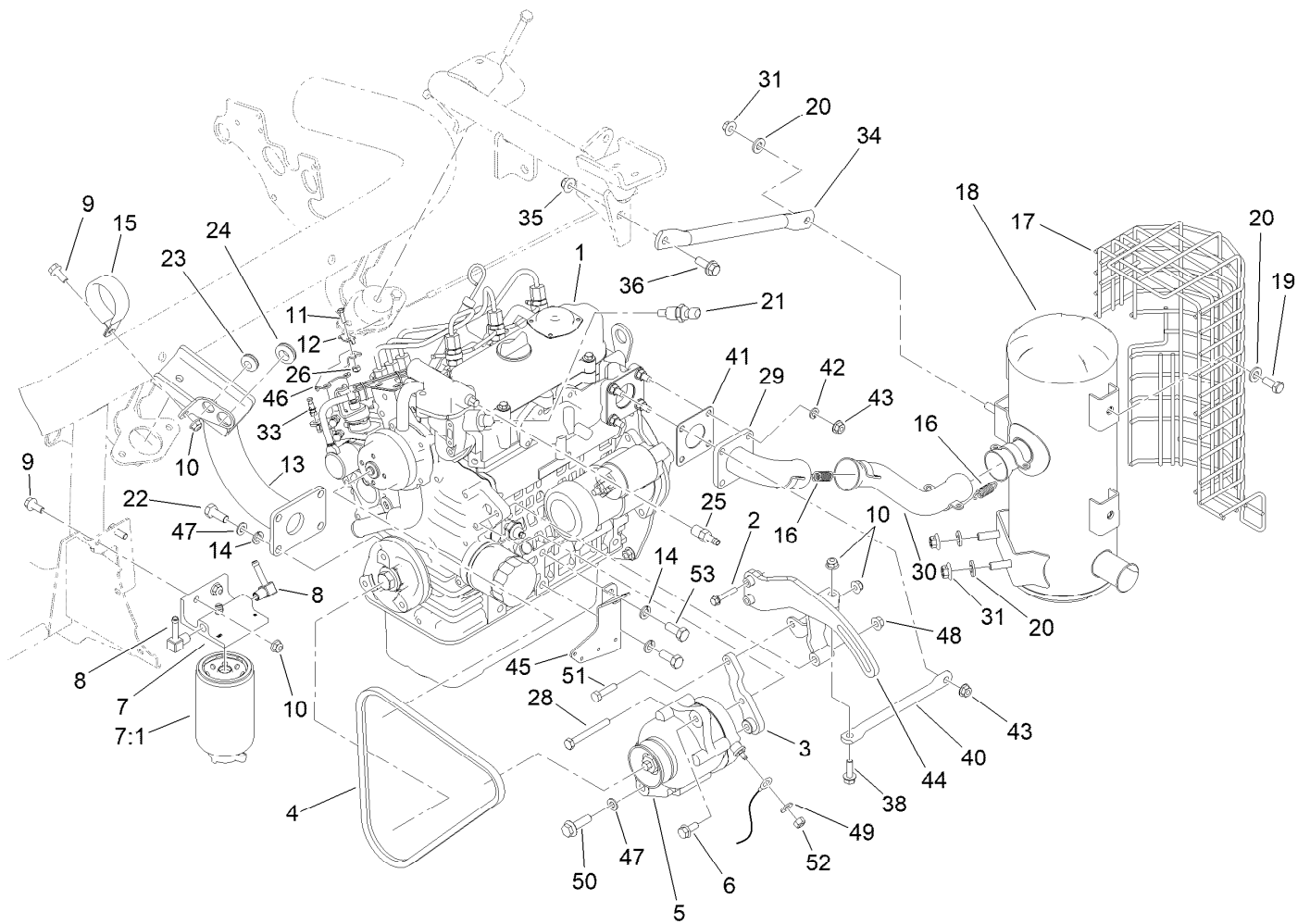
Ignition and Throttle Control Assembly

<i>Ref.</i>	<i>Part Number</i>	<i>Qty.</i>	<i>Description</i>	<i>Ref.</i>	<i>Part Number</i>	<i>Qty.</i>	<i>Description</i>
1	125-3013	1	Bracket-Throttle	11	140-5288	1	Light-Indicator
2	125-3014	1	Lever-Throttle	12	2410-64	1	Plug-Dome
4	3290-277	2	Nut-Speed	14	140-5247	1	Cover-Choke
5	131-2046	1	Decal-Light, Console	16	100-8070	1	Lamp-Warning
6	161-4693	1	Switch-Ignition	17	120-9751	1	Knob-Oval, Black
6:1	121-5160	1	Nut-Hex	19	125-3015	1	Bracket-Clamp, Cable
6:2	122-2704	1	Nut-Face, M22 (Plastic)	20	104-7201	1	Nut-HF, NI
6:3	121-5162	1	Set-Key, Ignition	21	66-2921	2	Washer-Friction
7	139-6492	1	Decal-Warning Lights	22	321-5	1	Screw-HH
8	125-3017	1	Cable-Throttle	23	104-2065	1	Screw-HWH
9	99-7420	1	Plug-Hole	24	3290-144	2	Screw-SHWH
10	100-8071	1	Lamp-Warning				



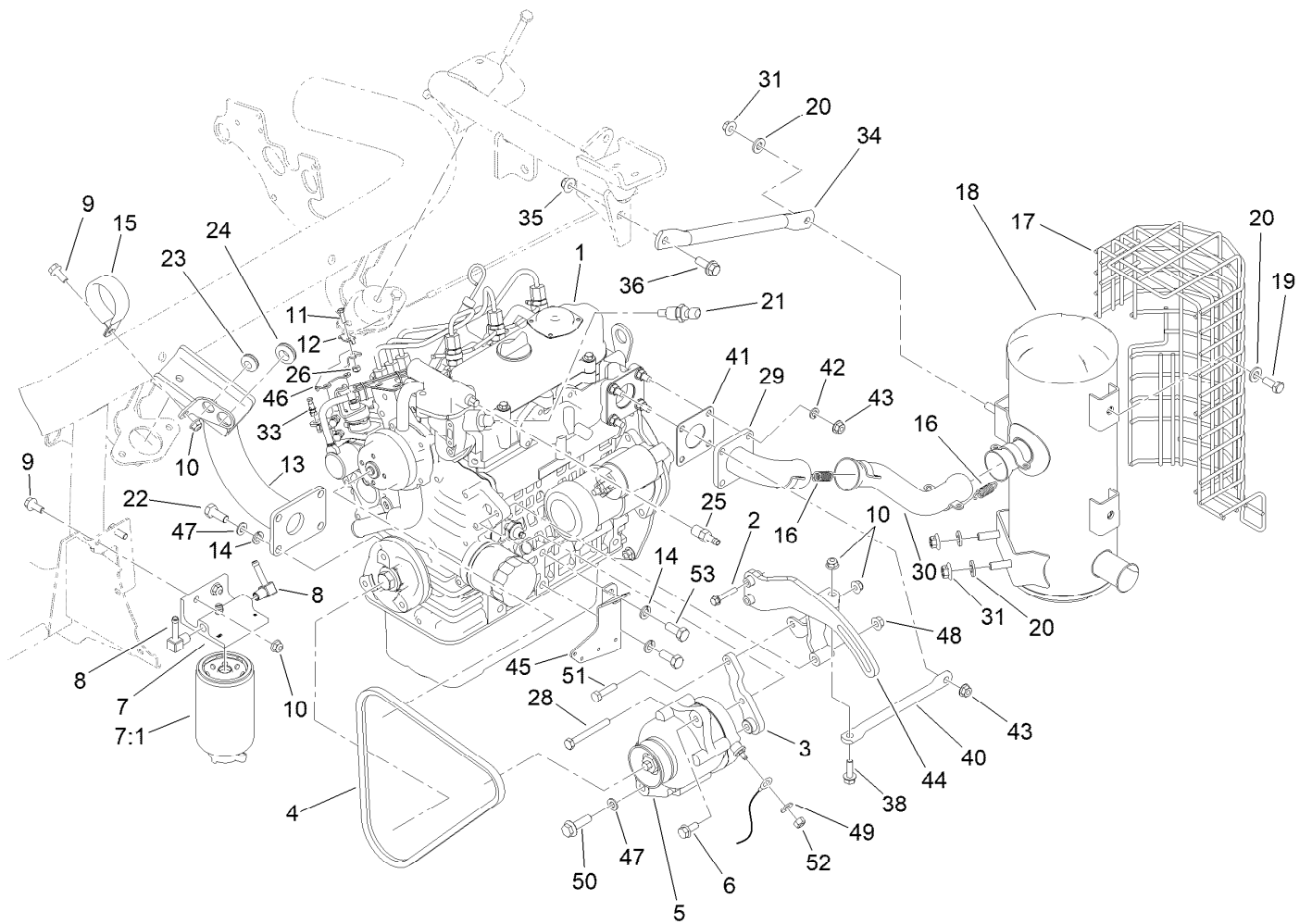
Console Cable Routing Assembly

<i>Ref.</i>	<i>Part Number</i>	<i>Qty.</i>	<i>Description</i>
5	3290-379	4	Tie-Cable
6	120-1959	1	Clamp



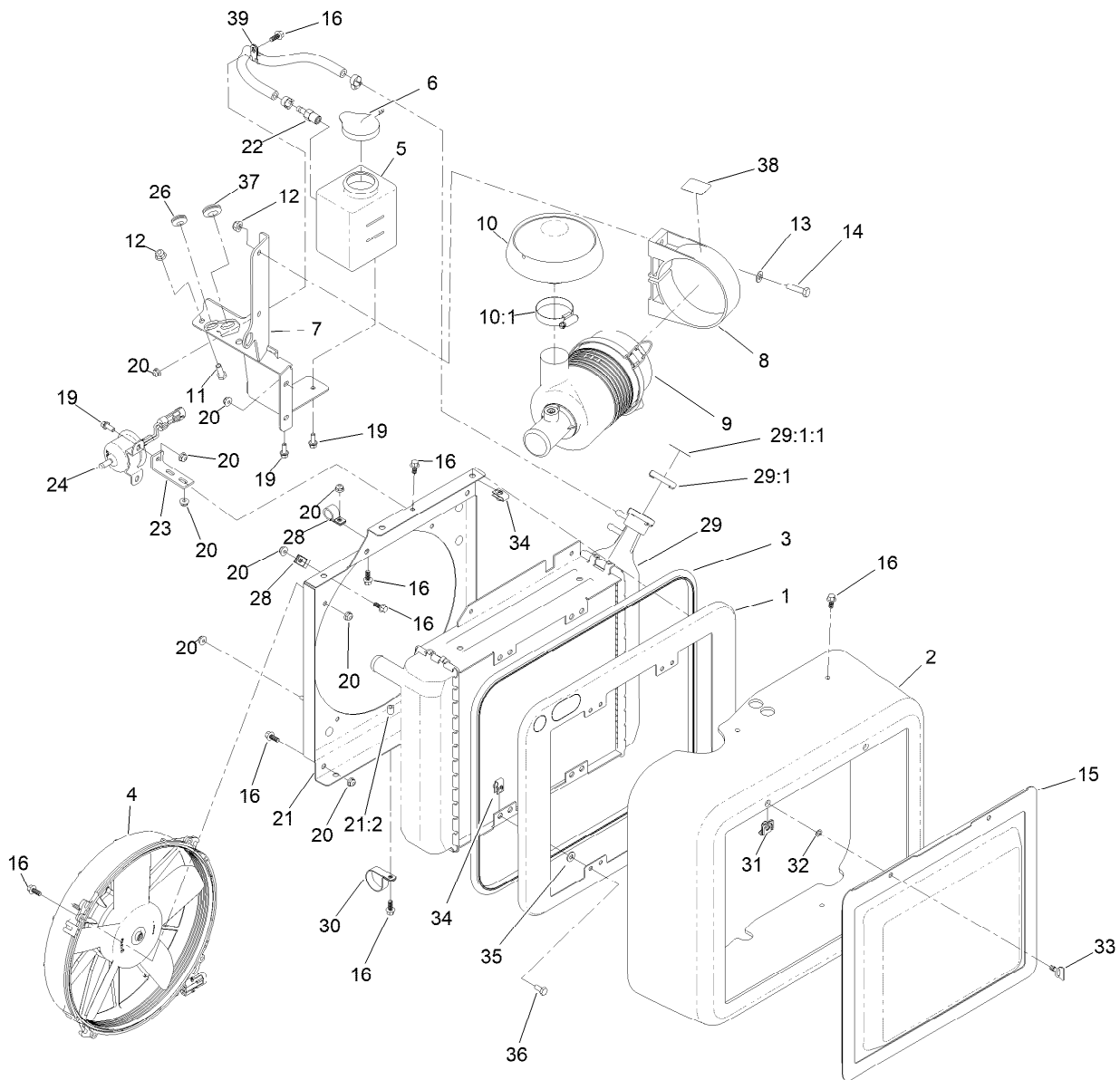
Engine and Exhaust Assembly

Ref.	Part Number	Qty.	Description	Ref.	Part Number	Qty.	Description
1	138-6902	1	Engine-Kubota, D902	21	119-4478	1	Sender-Temperature
2	33103-035	2	Screw-HHF	22	43-0090	4	Screw-HH
3	119-4428-0P	1	Alternator Brkt ASM [primed]	23	1-633630	1	Grommet
4	119-4486	1	Belt-V, Fan	24	237-124	2	Grommet
5	117-5541	1	60 Amp Alternator ASM	25	353-783	1	Fitting-STR
6	33104-020	1	Screw-HHF	26	3296-2	1	Nut-Lock, NI
7	110-9044	1	Separator-Filter	28	119-8194	1	Screw-HH
7:1	110-9049	1	Filter-Spin On, Fuel/Water	29	114-8009	1	Plate-Exhaust
8	353-707	2	Fitting-HYD, 90 DEG	30	114-8013	1	Pipe-Exhaust
9	3234-47	2	Screw-HHF	31	32128-19	4	Nut-HF Lock, Large Flg
10	104-8300	5	Nut-HF, NI	33	108-5928	1	Swivel-Stop, Cable
11	3290-134	1	Screw	34	120-1956-03	1	Tube-Brace
12	613385	1	Clamp-Cable	35	104-8301	1	Nut-HF, NI
13	119-2128-03	1	Support-Engine	36	3234-42	1	Screw-HHF
14	48-9590	6	Washer-Lock	38	3234-29	2	Screw-HHF
15	115-9469	1	Clamp-R	40	120-1961-03	1	Tube-Brace
16	104-6478	4	Spring-Extension	41	99-8343	1	Gasket-Muffler
17	145-4559-03	1	Shield-Muffler	42	3253-4	3	Washer-Lock
18	120-1950	1	Muffler	43	117-1350	4	Nut-HF, Lock
19	323-5	4	Screw-HH	44	119-8182-0P	1	Alt Brkt ASM, [primed]
20	100-4852	4	Washer-Hardened	45	120-1964-03	1	Bracket-Harness



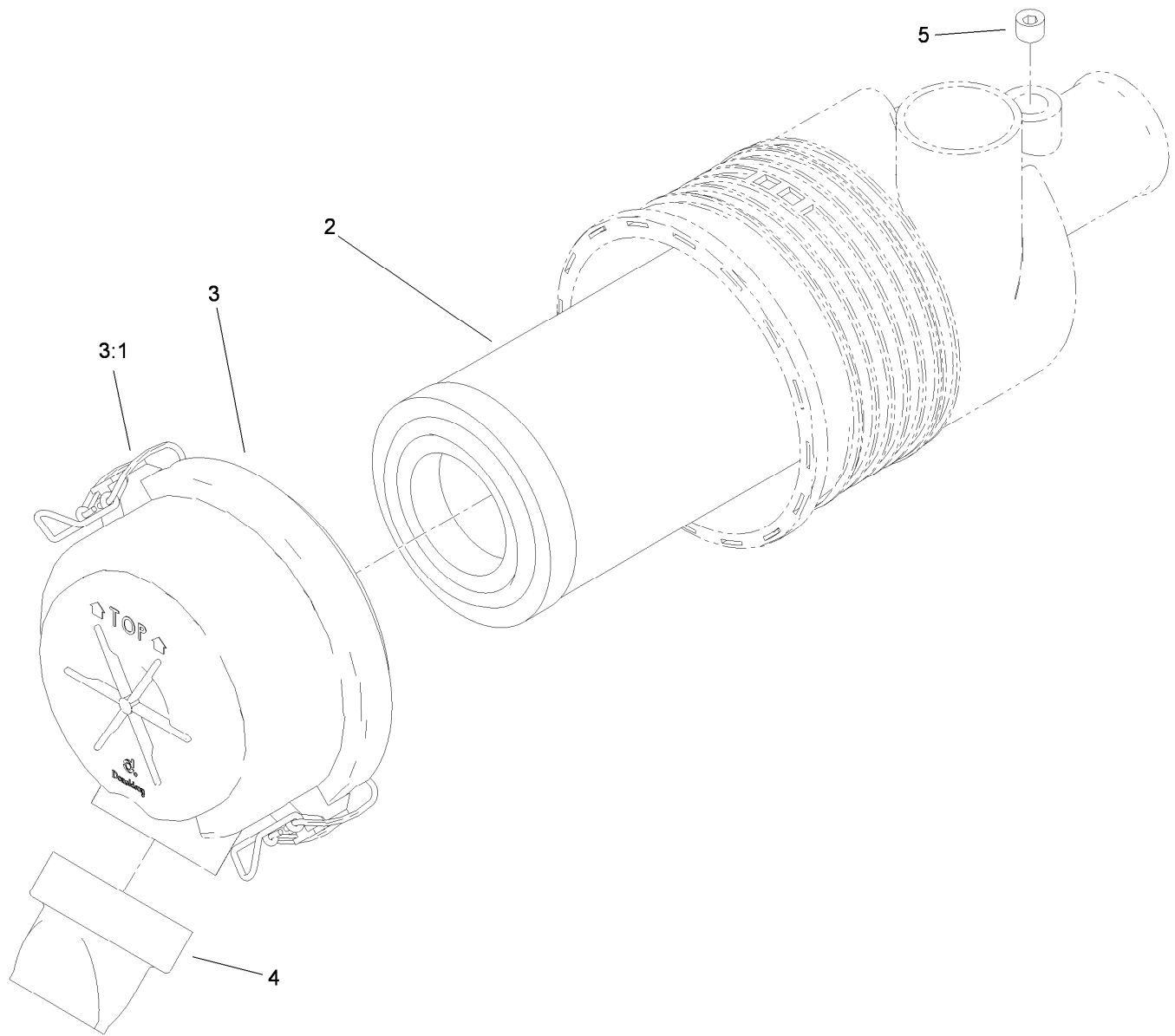
Engine and Exhaust Assembly (continued)

<i>Ref.</i>	<i>Part Number</i>	<i>Qty.</i>	<i>Description</i>	<i>Ref.</i>	<i>Part Number</i>	<i>Qty.</i>	<i>Description</i>
46	125-3016	1	Bracket-Support, Throttle	50	33105-035	1	Screw-HHF
47	3256-23	2	Washer-Plain	51	322-6	1	Screw-HH
48	33004-00	1	Nut-HF	52	33013-00	1	Nut-Hex
49	3256-2	1	Washer-Flat	53	63-7790	2	Screw-Cap



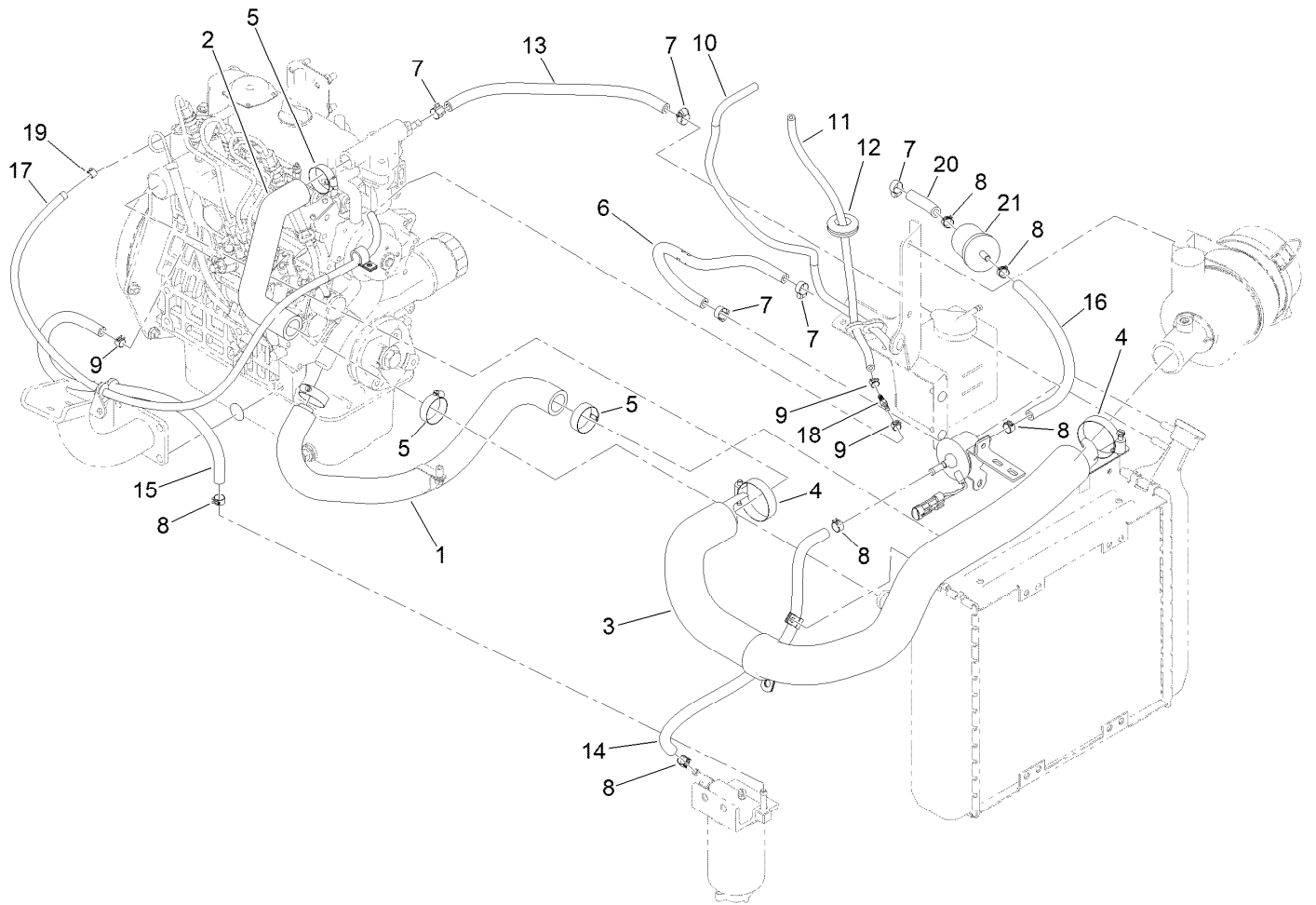
Radiator, Fuel Pump and Air Cleaner Assembly

Ref.	Part Number	Qty.	Description	Ref.	Part Number	Qty.	Description
1	117-9307-03	1	Panel-Seal, Radiator	21	119-9038	1	Shroud ASM
2	117-9296	1	Shroud-Radiator	21:2	32117-2	1	Nut-Clinch
3	117-9308	1	Trim-Seal	22	353-783	1	Fitting-STR
4	115-5765	1	Fan	23	144-4021	1	Plate-Pump, Fuel
5	120-5260	1	Tank-Overflow	24	145-3154	1	Pump-Fuel, Electric
6	1-643164	1	Cap-Tank, Overflow	26	1-633630	1	Grommet
7	131-2099-03	1	Bracket	28	2412-87	2	Clamp-Cable
8	95-5806	1	Bracket-Mounting, Air Cleaner	29	117-9860	1	Radiator
9	95-5805	1	Air Cleaner ASM	29:1	115-7766	1	Cap-Radiator
10	136-7859	1	Rain Cap Kit	29:1:1	106-6755	1	Decal-Cap, Radiator
10:1	1-643009	1	Clamp-Hose	30	119-9037	1	Clamp-R
11	322-4	2	Screw-HH	31	119-1730	2	Receptacle-Clip, Mini
12	104-8300	4	Nut-HF, NI	32	119-1729	2	Retainer-Stud
13	3256-23	2	Washer-Plain	33	120-1957	2	Stud-Rapier
14	322-6	2	Screw-HH	34	107069	8	Clip
15	117-9311-03	1	Screen	35	3256-22	4	Washer-Flat
16	99-6810	17	Screw-HHF	36	321-3	4	Screw-HH
19	3234-33	3	Screw-HHF	37	237-124	1	Grommet
20	104-7201	17	Nut-HF, NI	38	115-8155	1	Decal-Warning
				39	2412-134	1	Clamp-R



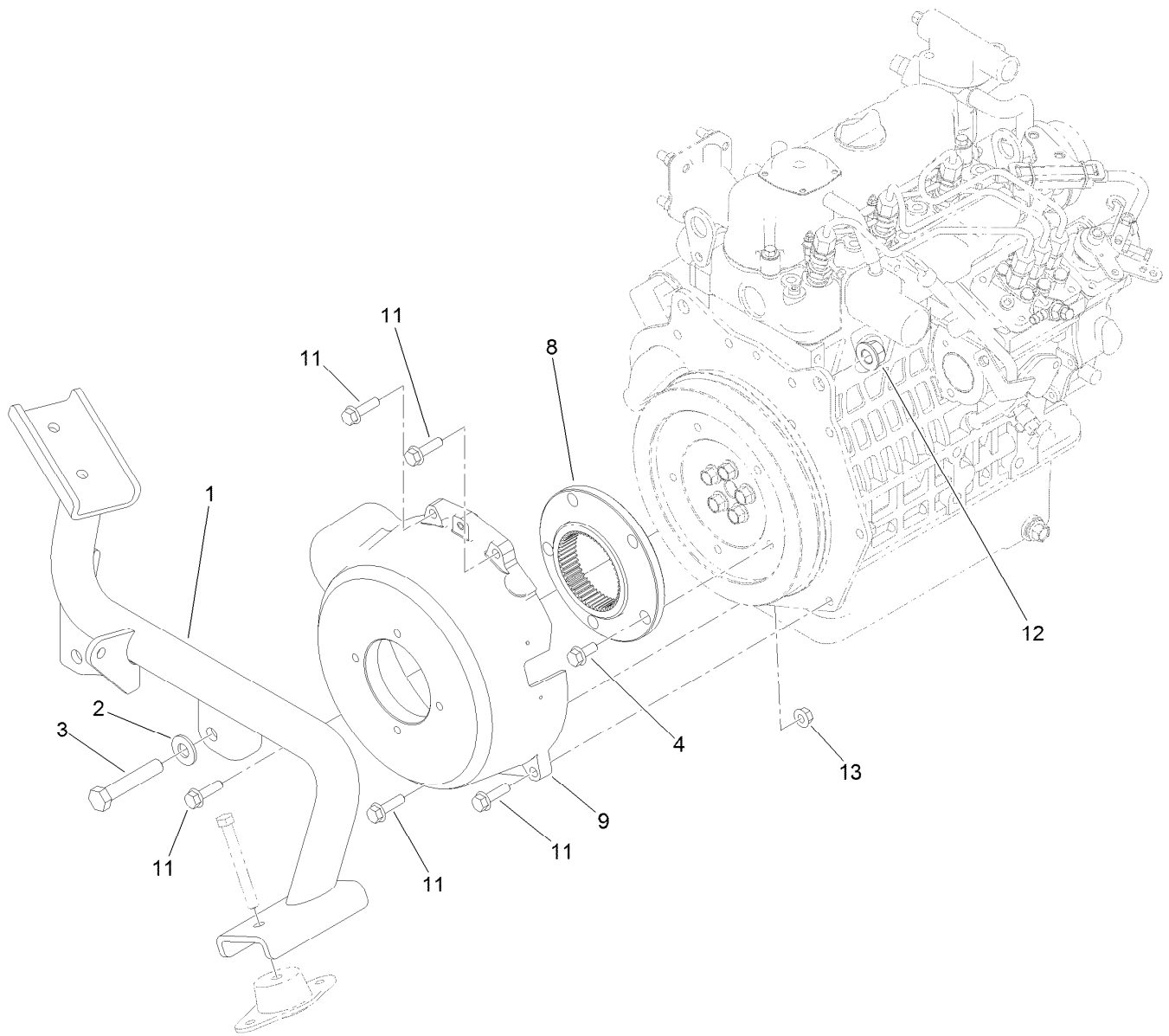
Air Cleaner Assembly No. 95-5805

<i>Ref.</i>	<i>Part Number</i>	<i>Qty.</i>	<i>Description</i>
2	108-3811	1	Filter-Air V-Twin HD
3	94-3652	1	Cover ASM
3:1	1-643283	2	Latch-Cleaner, Air
4	87-9400	1	Valve-Vacuator
5	285-17	1	Plug-Pipe



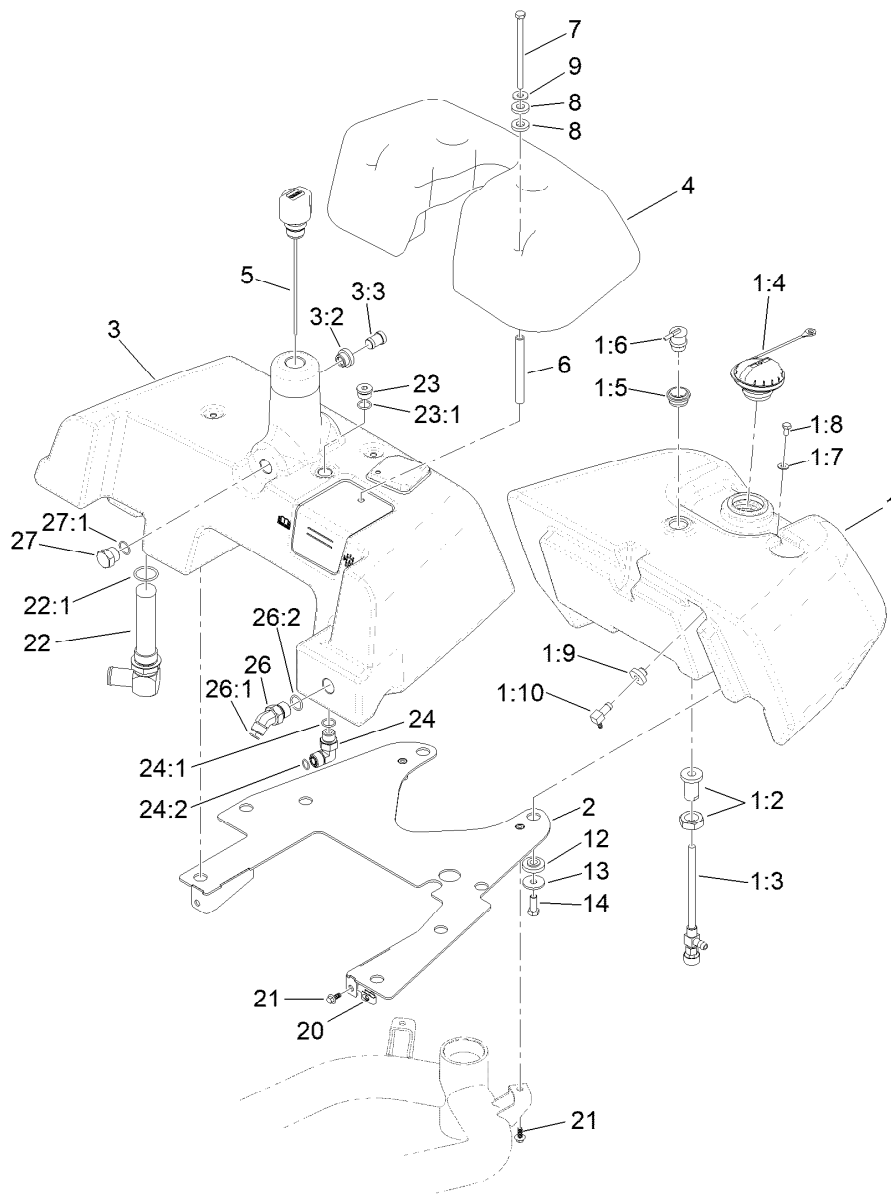
Radiator, Air Hose and Fuel Line Assembly

<i>Ref.</i>	<i>Part Number</i>	<i>Qty.</i>	<i>Description</i>	<i>Ref.</i>	<i>Part Number</i>	<i>Qty.</i>	<i>Description</i>
1	117-9268	1	Hose-Radiator, Lower	12	240-4	1	Grommet-Rubber
2	117-9261	1	Hose-Radiator, Upper	13	119-8136	1	Hose-Fuel
3	117-4481	1	Hose-Air	14	110-4109	1	Hose-Fuel
4	2412-92	2	Clamp-Hose	15	110-6187	1	Hose-Fuel
5	2412-34	4	Clamp-Hose	16	130-4332	1	Hose-Fuel
6	110-4113	1	Hose-Fuel	17	119-3517	1	Hose-Fuel
7	2412-108	5	Clamp-Worm	18	120-1996	1	Fitting-STR
8	92-2379	8	Clamp-Hose	19	2412-80	3	Clamp-Hose
9	2412-146	3	Clamp-Hose	20	133-0223	1	Hose-Fuel
10	119-6074	1	Hose-Fuel	21	98-7612	1	Filter-Fuel
11	119-8150	1	Hose-Fuel				



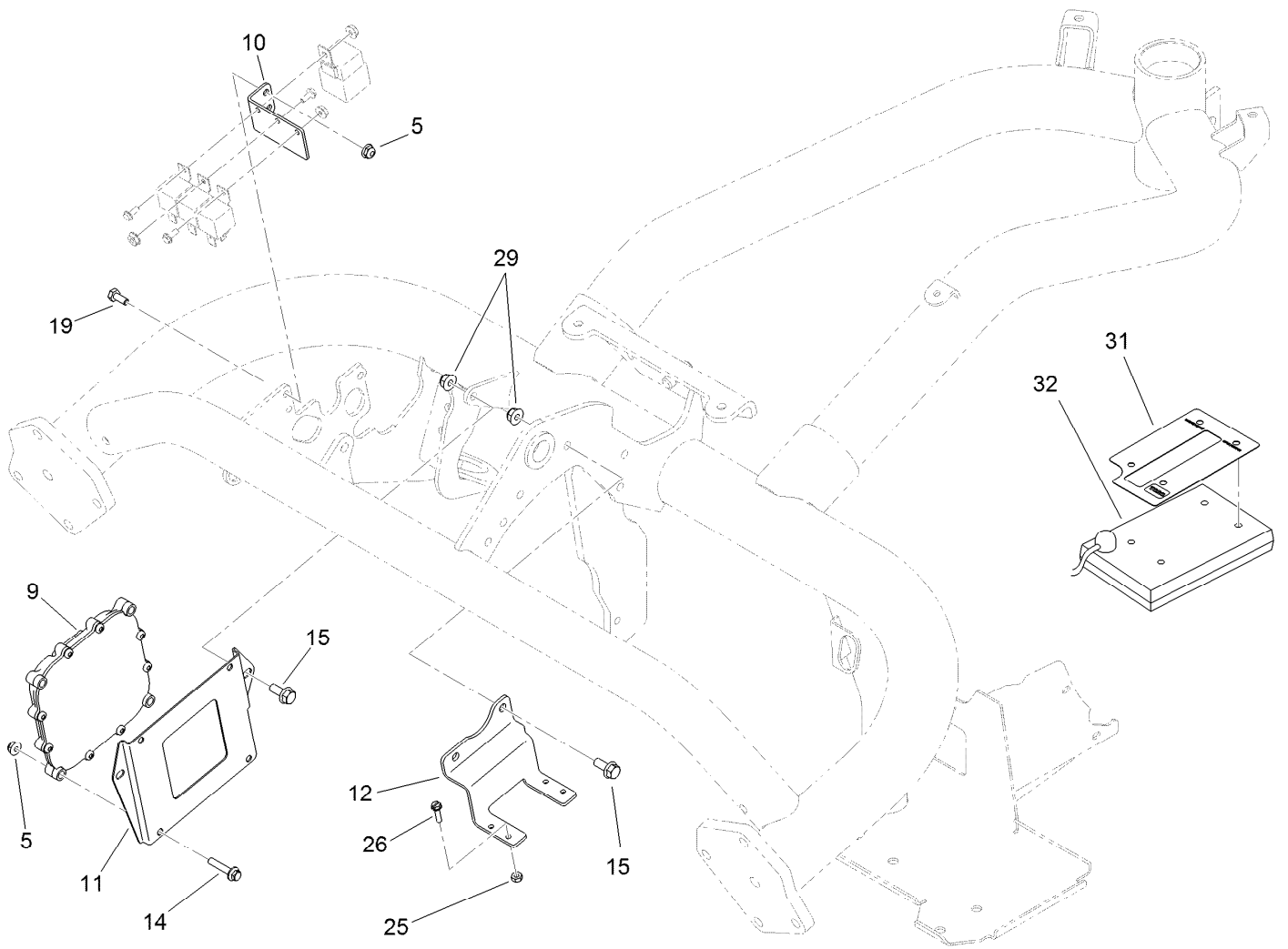
Bellhousing Assembly

<i>Ref.</i>	<i>Part Number</i>	<i>Qty.</i>	<i>Description</i>
1	119-4470-03	1	Mount-Engine, Rear
2	87-7270	2	Washer-Thrust
3	325-11	2	Screw-HH
4	33104-020	5	Screw-HHF
8	115-8727	1	Flange-Coupling
9	132-6994	1	Housing-Bell
11	33104-030	5	Screw-HHF
12	99-5107	2	Nut-HF Nylock
13	33004-00	1	Nut-HF



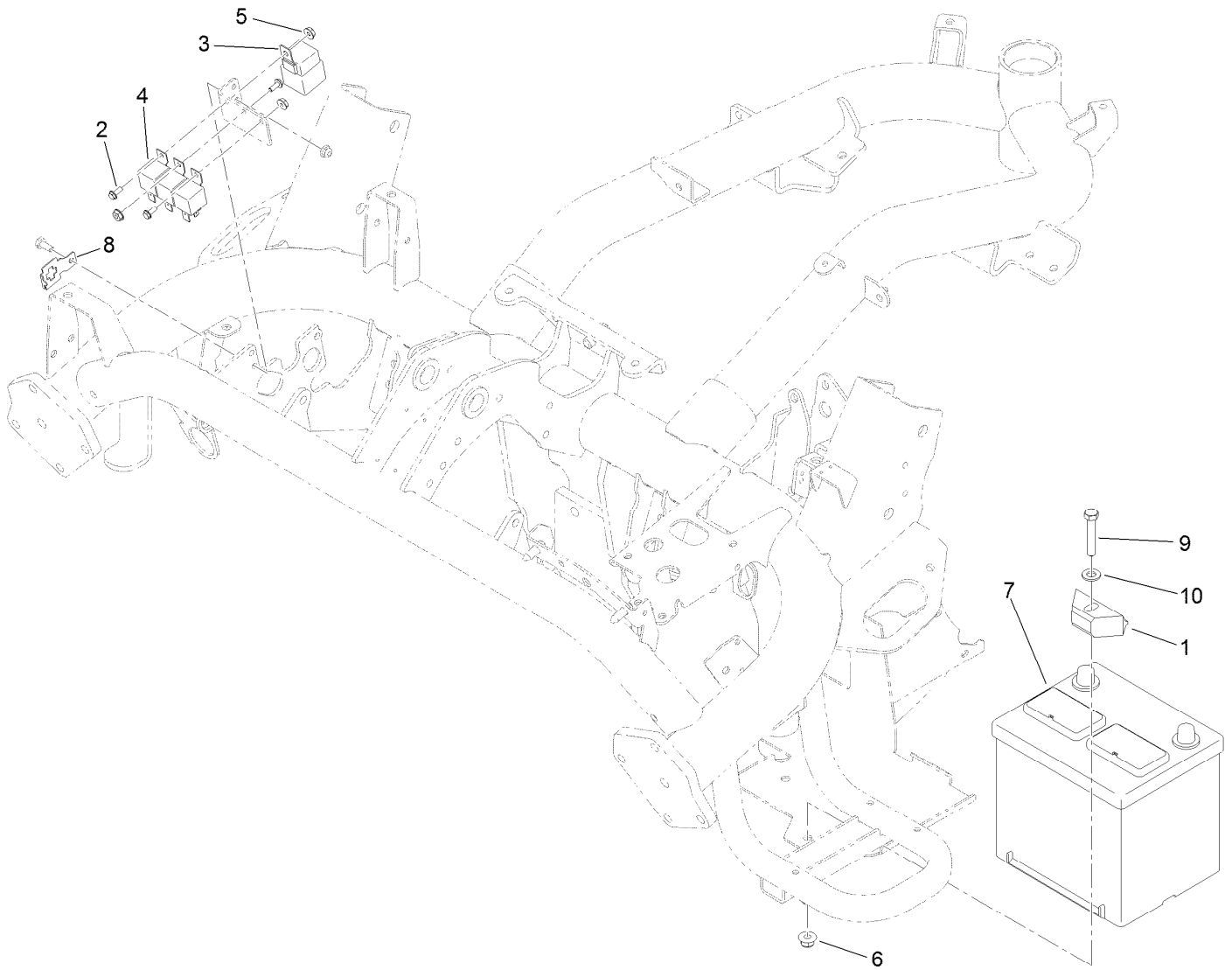
Fuel and Hydraulic Tank Assembly

Ref.	Part Number	Qty.	Description	Ref.	Part Number	Qty.	Description
1	139-2662	1	Fuel Tank ASM	9	3256-71	4	Washer-Flat
1:2	114-4677	1	Bulkhead ASM	12	240-11	8	Bushing-Flange
1:3	114-4679	1	Fitting-Shut Off, Fuel	13	63-8410	8	Washer
1:4	121-5174	1	Cap-Fuel, Diesel	14	323-6	8	Screw-HH
1:5	114-0284	1	Grommet	20	107069	2	Clip
1:6	119-3547	1	Valve-Vent, Fuel	21	99-6810	4	Screw-HHF
1:7	3256-1	1	Washer-Flat	22	105-0204	1	Strainer Fitting ASM
1:8	321-2	1	Screw-HH	23	353-988	1	Plug-Hex
1:9	46-6560	1	Bushing	24	340-98	1	Fitting-Elbow, 90 DEG
1:10	104-5228	1	Fitting-Elbow, 90 DEG	24:1	237-79	1	O-Ring
2	133-8892-0P	1	Plate-Tank Mt [primed]	24:2	237-30	1	O-Ring
3	136-8530	1	HYD Tank ASM	26	340-89	1	Fitting-HYD, 45 DEG
3:2	136-8531	1	Grommet	26:1	237-30	1	O-Ring
3:3	136-8534	1	Plug	26:2	237-80	1	O-Ring
4	136-8518	1	Cover-Tank	27	353-551	1	Plug-HH
5	136-8559	1	Dipstick-Breather	27:1	237-80	1	O-Ring
6	145-4580	4	Spacer-Tube				
7	322-29	4	Screw-HH				
8	83-1470	8	Washer-Neoprene				



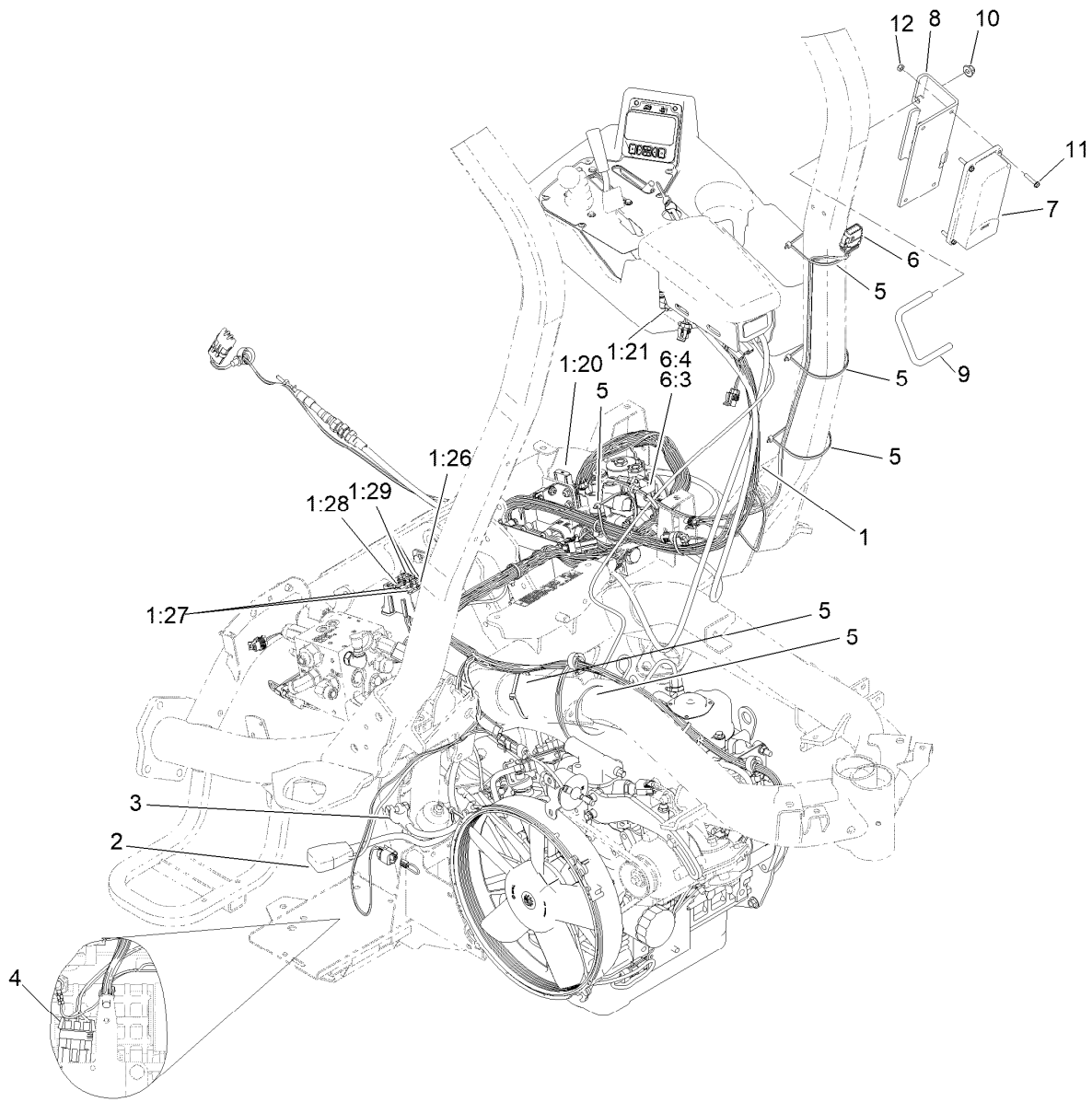
Controller Assembly

Ref.	Part Number	Qty.	Description
5	104-7201	6	Nut-HF, NI
9	122-3374	1	Controller
10	119-2097-01	1	Bracket-Relay
11	119-2099-01	1	Plate-Mounting, Controller
12	161-4743-01	1	Brkt-Fuse Block
14	3234-21	4	Screw-HHF
15	3234-47	4	Screw-HHF
19	321-3	2	Screw-HH
25	3296-2	4	Nut-Lock, NI
26	32105-13	4	Screw-HWH
29	104-8300	4	Nut-HF, NI
31	115-8227	1	Decal-Controller
32	85-4750	1	Box-Display, Diagnostic



Battery Assembly

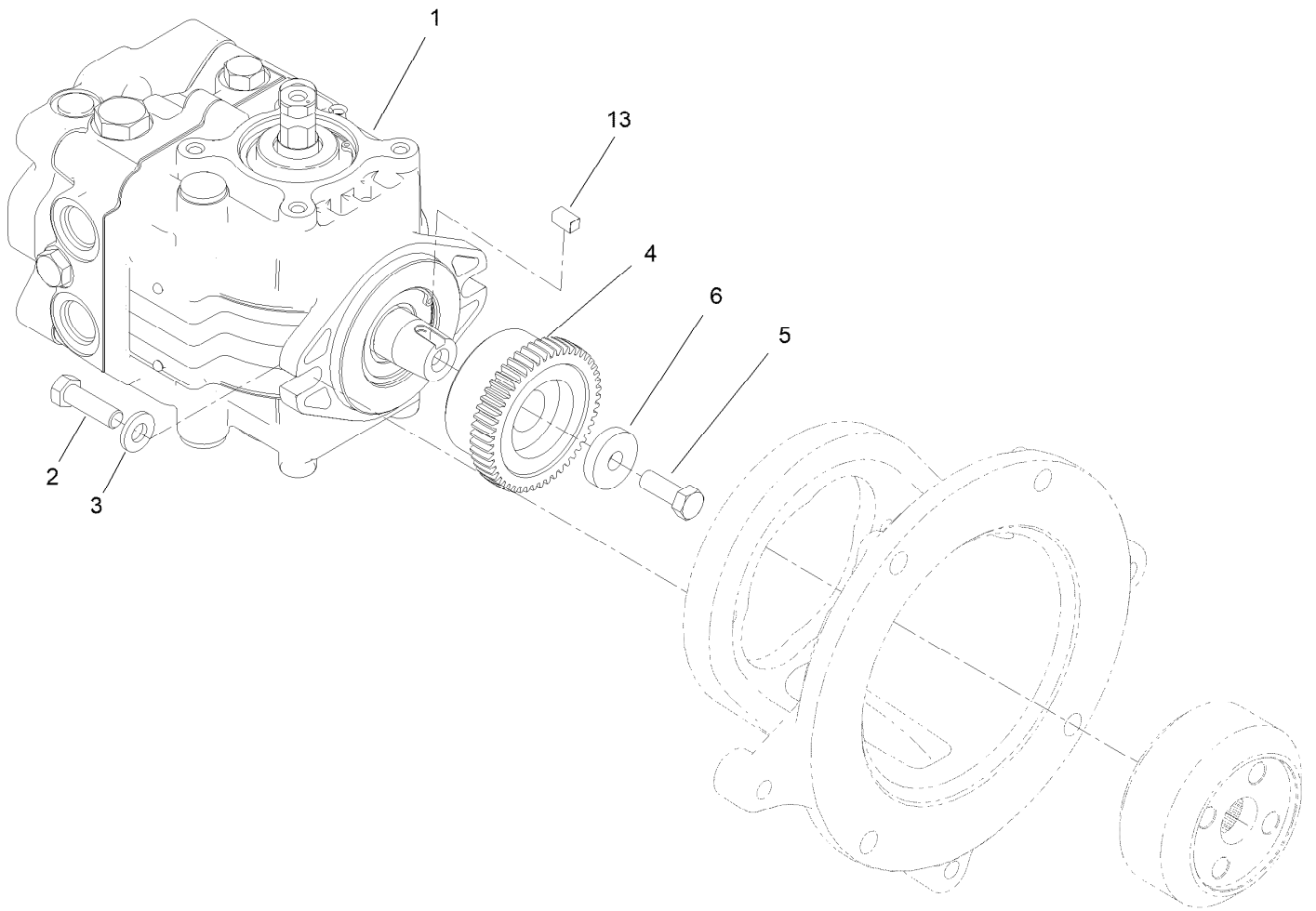
<i>Ref.</i>	<i>Part Number</i>	<i>Qty.</i>	<i>Description</i>
1	138-6335	1	Retainer-Battery
2	112-6349	3	Screw-HWH
3	99-7430	1	Relay-Mini
4	99-7435	3	Relay
5	32149-8	3	Nut-Keps
6	104-8301	1	Nut-HF, NI
7	106-5186	1	Battery - Wet, 12V, 540 CCA
8	114-5502	1	Clip-Fuse
9	323-10	1	Screw-HH
10	3256-24	1	Washer-Plain



Wire Harness Assembly

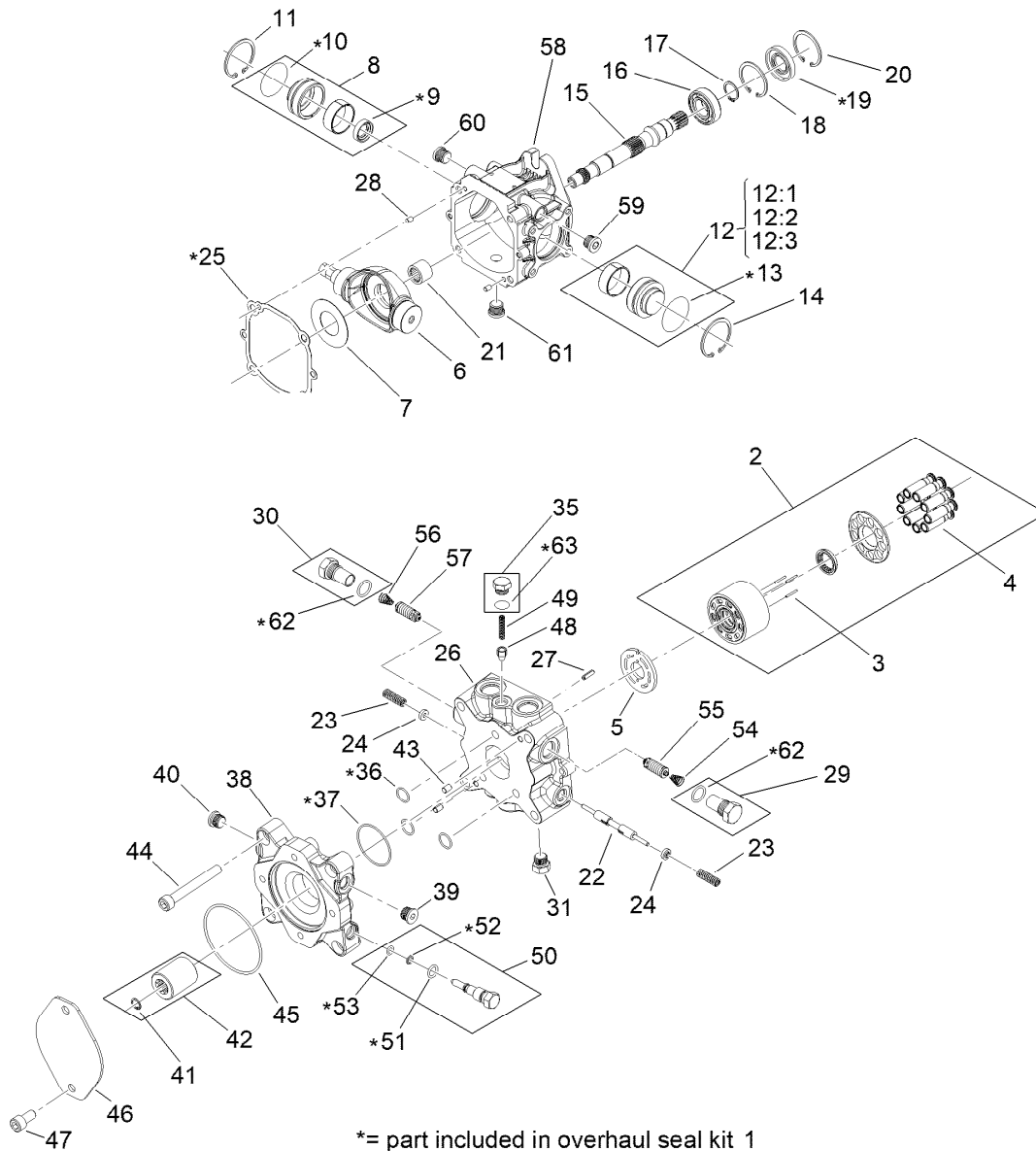
Ref.	Part Number	Qty.	Description	Ref.	Part Number	Qty.	Description
1	122-1735	1	Harness-Wire, Triflex Diesel	5	3290-379	7	Tie-Cable
1:15	100-4918	1	Diode ●	6	122-2161	1	Harness-Wire
1:20	94-8002	1	Fuse-Blade, 50 Amp	6:3	121-8861	1	Fuse-Mini Blade, 2 Amp
1:21	104-4022	1	Resistor-75 Ohm	6:4	32180-101	1	Cover-Fuse, Single
1:26	94-6710	1	Fuse-2 Amp	7	161-9001	1	Gateway-Telematics
1:27	218-578	2	Fuse-Blade, 10 Amp	8	163-2492-03	1	Bracket-Mount, Hmu
1:28	109355	1	Fuse-Blade, 15 Amp	9	119-6727	1	U-Bolt
1:29	114241	3	Fuse-Blade, 7.5 Amp	10	104-8301	2	Nut-HF, NI
2	114-9747	1	Cable-Battery, Positive	11	131-6456	4	Screw-HWH
3	115-8135	1	Cable-Battery, Negative	12	3296-2	4	Nut-Lock, NI
4	99-3441	1	Harness-Wire, Fusible Link				

● Not illustrated



Pump Coupling Assembly

Ref.	Part Number	Qty.	Description
1	139-6474	1	Pump-Hydro, Danfoss
2	323-7	2	Screw-HH
3	100-4852	2	Washer-Hardened
4	119-4418	1	Coupling
5	3211-4	1	Screw-HH
6	138-8594	1	Spacer
13	145-4589	1	Key-Squ

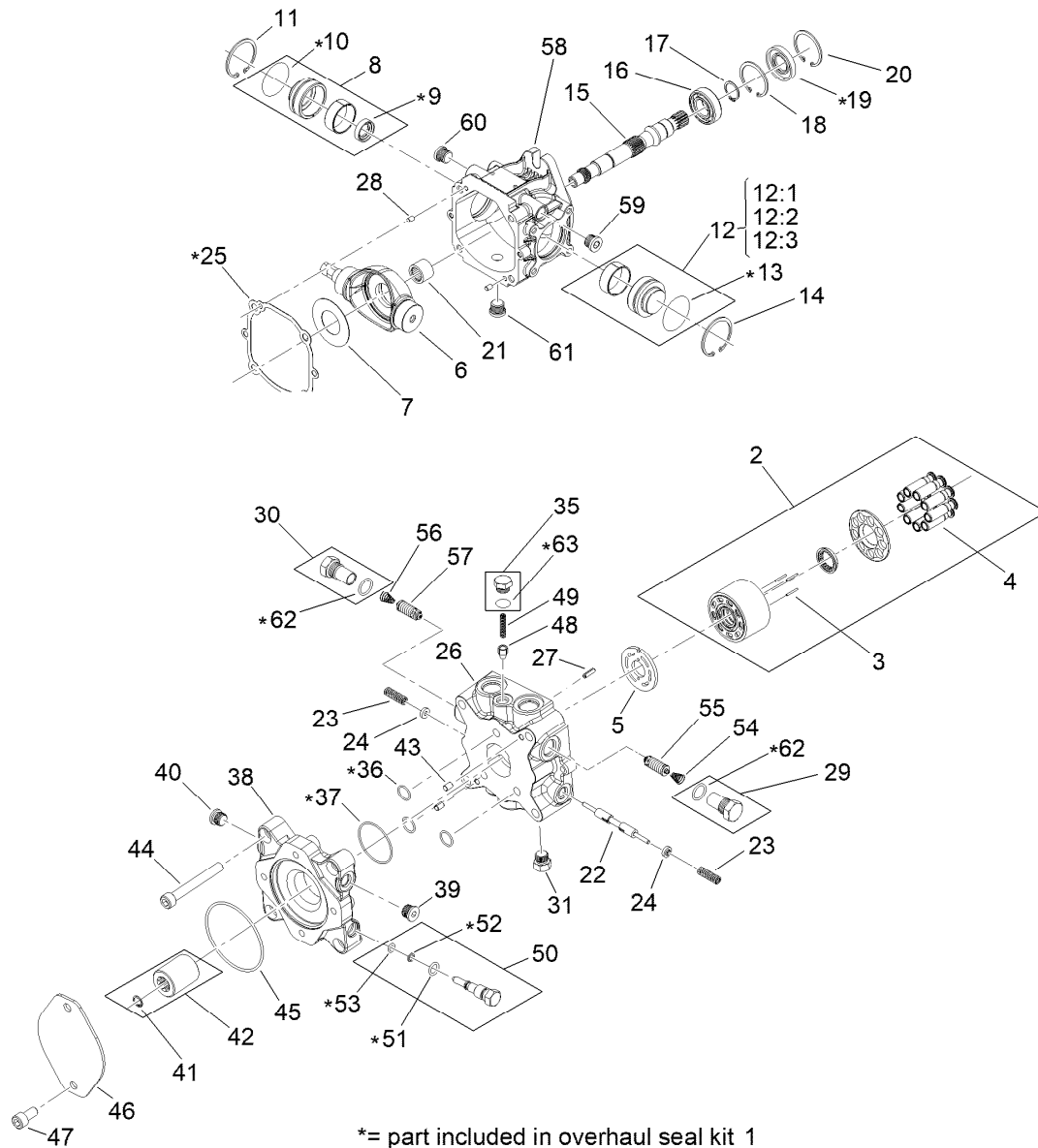


*= part included in overhaul seal kit 1

Hydraulic Pump Assembly No. 139-6474

Ref.	Part Number	Qty.	Description	Ref.	Part Number	Qty.	Description
1	136-1010	1	Seal Overhaul Kit	15	145-2683	1	Shaft-Pump
2	145-2670	1	Kit-Cylinder Block	16	136-1017	1	Bearing-Ball
3	145-2671	3	Pin-Slipper Holddown	17	136-1018	1	Ring-Retaining
4	145-2672	9	Piston Assy	18	136-1019	1	Ring-Retaining
5	145-2673	1	Valveplate-Pump	19	136-1021	1	Seal-Lip, Shaft
6	145-2674	1	Swashplate	20	136-1019	1	Ring-Retaining
7	145-2675	1	Plate-Thrust	21	145-2689	1	Needle Bearing
8	145-2676	1	Journal Carrier (A) Assy	22	145-2690	1	Spool-Flushing
9	145-2677	1	Seal Lip	23	145-2691	2	Spring Flushing
10	145-2678	1	O-Ring	24	145-2692	2	Guide Spring
11	145-2679	1	Ring-Retaining	25	136-1023	1	Gasket-Cap, End
12	136-1015	1	Journal Bearing Carrier ASM	26	145-2694	1	Endcap
12:1		1	O-Ring ●	27	145-2695	1	Pin-Slittd
12:2		1	Body ●	28	145-2696	2	Pin-Straight
12:3		1	Race-Inner ●	29	145-2697	1	Plug Assy
13	145-2681	1	O-Ring	30	145-2698	1	Plug Assy
14	145-2682	1	Ring-Retaining	31	136-1026	1	Plug ASM
				35	145-2703	1	Plug Assy

● Not serviced separately

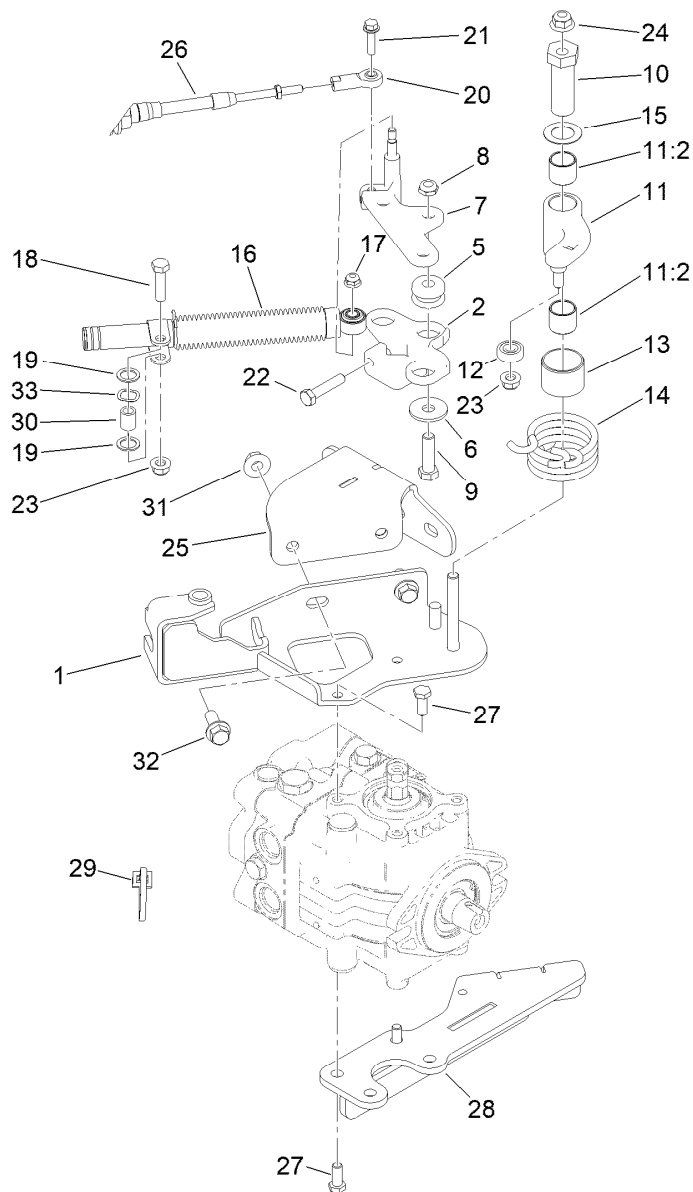


* = part included in overhaul seal kit 1

Hydraulic Pump Assembly No. 139-6474 (continued)

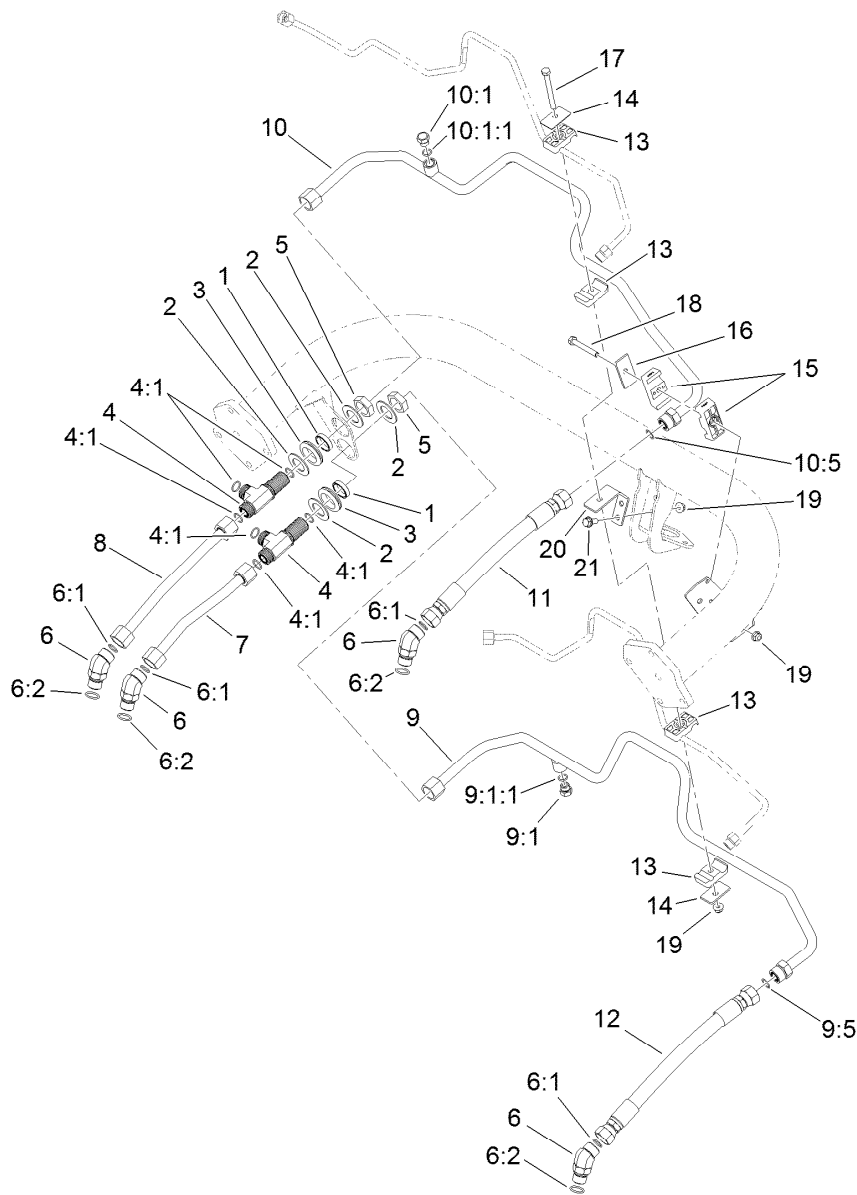
Ref.	Part Number	Qty.	Description	Ref.	Part Number	Qty.	Description
36	136-1032	3	O-Ring	50	145-2718	1	Valve Assy-Bypass
37	145-2705	1	O-Ring	51	145-2719	1	O-Ring
38	145-2706	1	Adapter	52	145-2720	1	Ring-Back Up
39	145-2707	1	Plug Assy	53	145-2721	1	O-Ring
40	145-2708	1	Plug Assy	54	145-2722	1	Spring-Compression
41	145-2709	1	Ring-Retaining	55	145-2723	1	Valve Assy-Scr
42	145-2710	1	Coupling Assy	56	145-2724	1	Spring-Compression
43	145-2711	2	Pin-Straight	57	145-2725	1	Valve Assy-Scr
44	145-2712	4	Screw-Soc	58	145-2726	1	Housing A-Pad Ddc20
45	131-7607	1	O-Ring	59	145-2727	1	Plug Assy-Soc
46	145-2714	1	Flange Cover	60	145-2728	1	Plug Assy-Soc
47	145-2715	2	Screw-Soc	61	145-2729	1	Plug Assy-Soc
48	145-2716	1	Cone Relief Valve	62	145-2730	2	O-Ring
49	145-2717	1	Spring	63	145-2731	1	O-Ring

● Not serviced separately



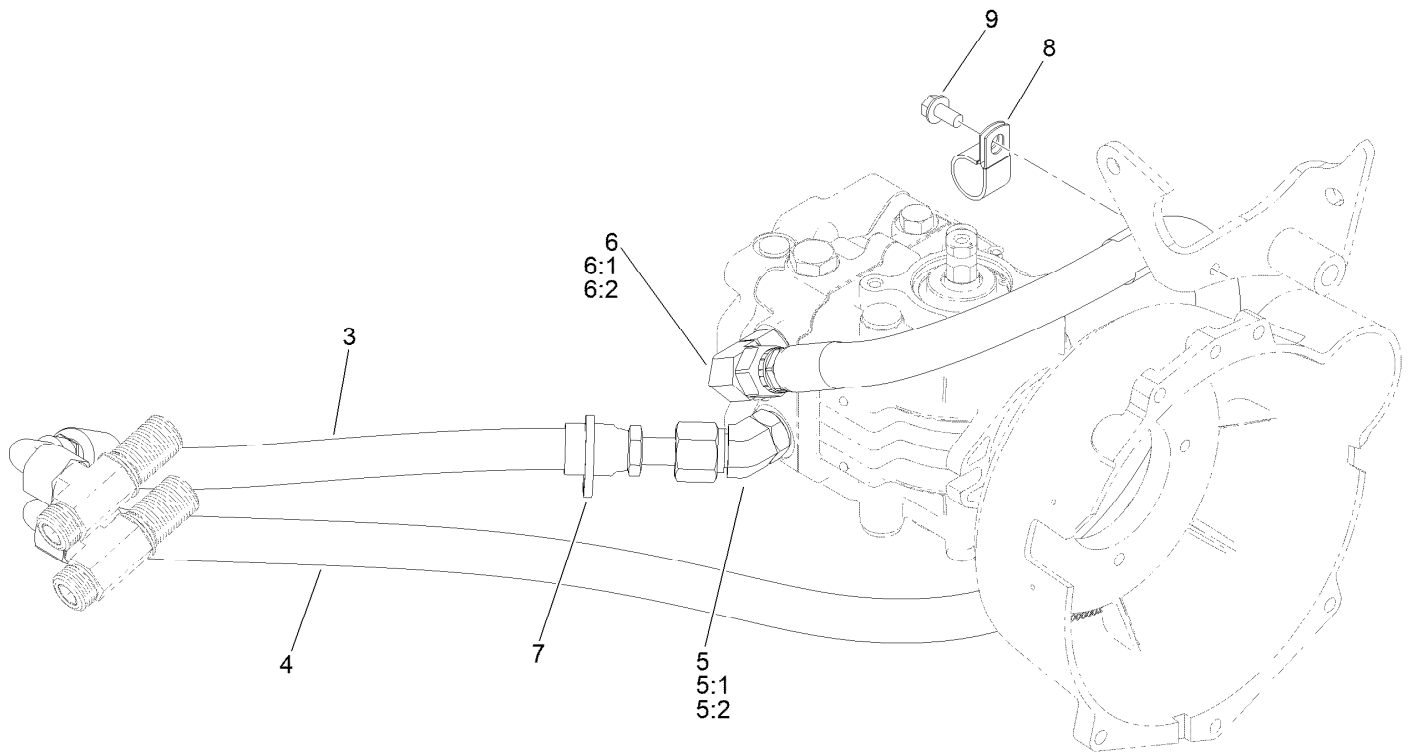
Neutral Centering Assembly

Ref.	Part Number	Qty.	Description	Ref.	Part Number	Qty.	Description
1	140-5211-03	1	Bracket-Cable, Hydro [black]	18	322-6	1	Screw-HH
2	140-5231	1	Cam-Neutral	19	94-8196	2	Washer-Nylon
5	63-9750	3	Mount	20	2411-41	1	Rod End-Ball Joint
6	93-8806	3	Washer-Hardened	21	119-1066	1	Screw-HHF, Patch
7	140-5221	1	Lever-Hydro	22	120-2779	1	Screw-HH
8	3296-59	3	Nut-Lock, NI	23	104-8300	2	Nut-HF, NI
9	323-29	3	Screw-HH	24	104-8301	1	Nut-HF, NI
10	117-9046	1	Stud-Eccentric	25	140-5216-03	1	Bracket-Mount [black]
11	145-0071	1	Neutral Arm ASM	26	119-1734	1	Cable-Control, Traction
11:2	94-9609	2	Bushing-Straight	27	33114-020	4	Screw-HH
12	251-259	1	Bearing-Ball	28	140-5219-03	1	Bracket-Support, Muffler [black]
13	136-8418	1	Bushing	29	3290-379	1	Tie-Cable
14	117-9047	1	Spring-Torsion	30	94-8197	1	Tube-Pivot
15	119-8199	1	Washer-Nylon	31	32128-19	2	Nut-HF Lock, Large Flg
16	140-6248	1	Damper	32	139-2597	2	Screw-HHF
17	104-7201	1	Nut-HF, NI	33	108473	1	Washer-Wave



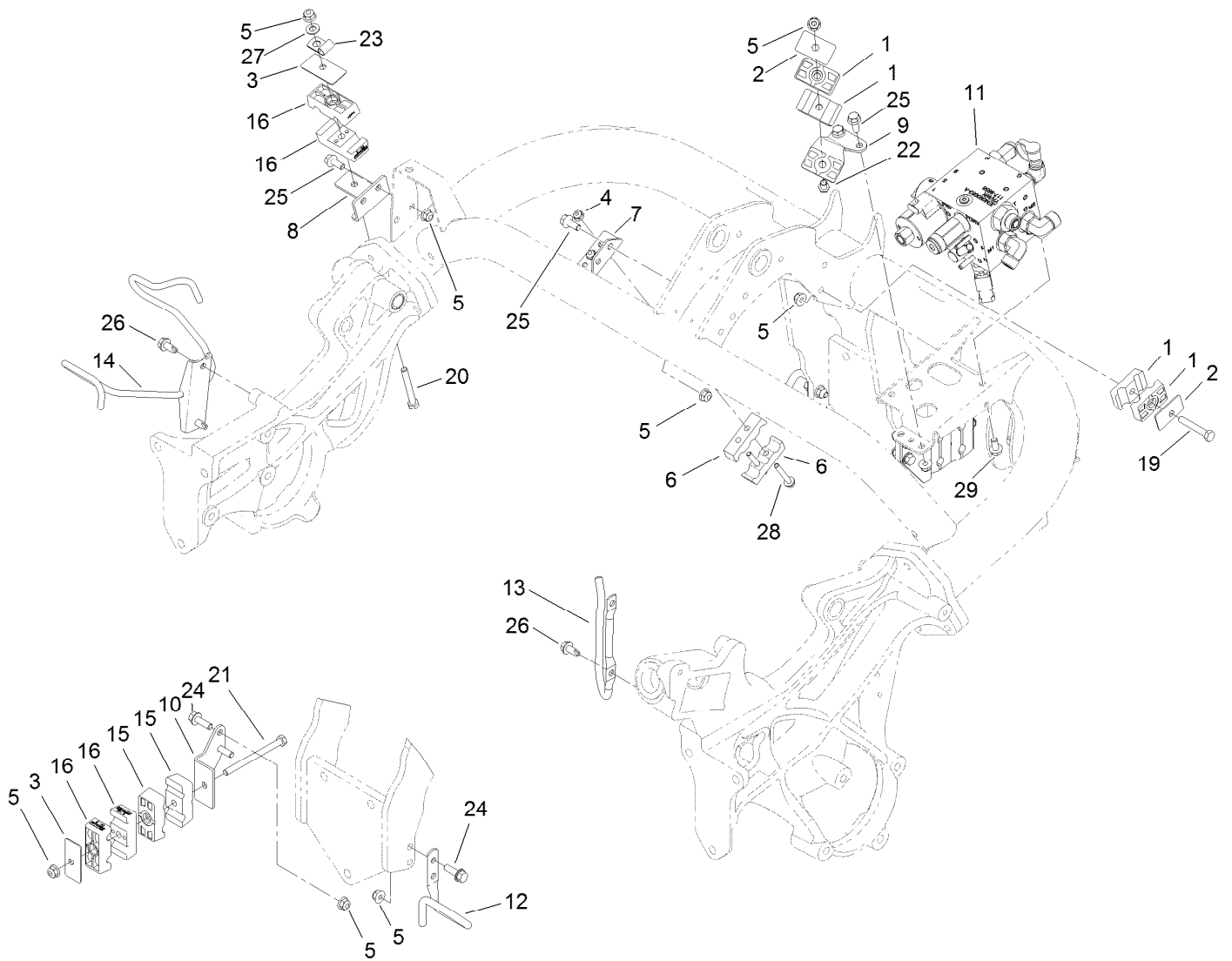
Traction Drive Hydraulic Line Assembly

<i>Ref.</i>	<i>Part Number</i>	<i>Qty.</i>	<i>Description</i>	<i>Ref.</i>	<i>Part Number</i>	<i>Qty.</i>	<i>Description</i>
1	125-1984	2	Spacer	10	119-2064	1	HYD Tube ASM
2	69-9010	4	Washer	10:1	353-508	1	Plug-HH
3	240-3	2	Grommet-Rubber	10:1:1	237-42	1	O-Ring
4	94-5350	2	Fitting-Tee	10:5	237-65	1	O-Ring
4:1	237-65	3	O-Ring	11	115-9484	1	Hose-HYD
5	340-74	2	Nut-Lock, Bulkhead	12	115-9485	1	Hose-HYD
6	340-14	4	Fitting-HYD, 45 DEG	13	56-7970	4	Clamp-Tube
6:1	237-65	1	O-Ring	14	69-9760	2	Plate-Cover
6:2	237-80	1	O-Ring	15	138-5045	2	Clamp-Tube
7	119-2057	1	Tube-HYD	16	69-9761	1	Plate-Cover
8	119-2058	1	Tube-HYD	17	322-20	1	Screw-HH
9	119-2063	1	Tube-HYD	18	322-12	1	Screw-HH
9:1	353-508	1	Plug-HH	19	104-8300	4	Nut-HF, NI
9:1:1	237-42	1	O-Ring	20	119-2092	1	Bracket-Tube
9:5	237-65	1	O-Ring	21	3234-47	2	Screw-HHF



Traction Drive Hose Routing Assembly

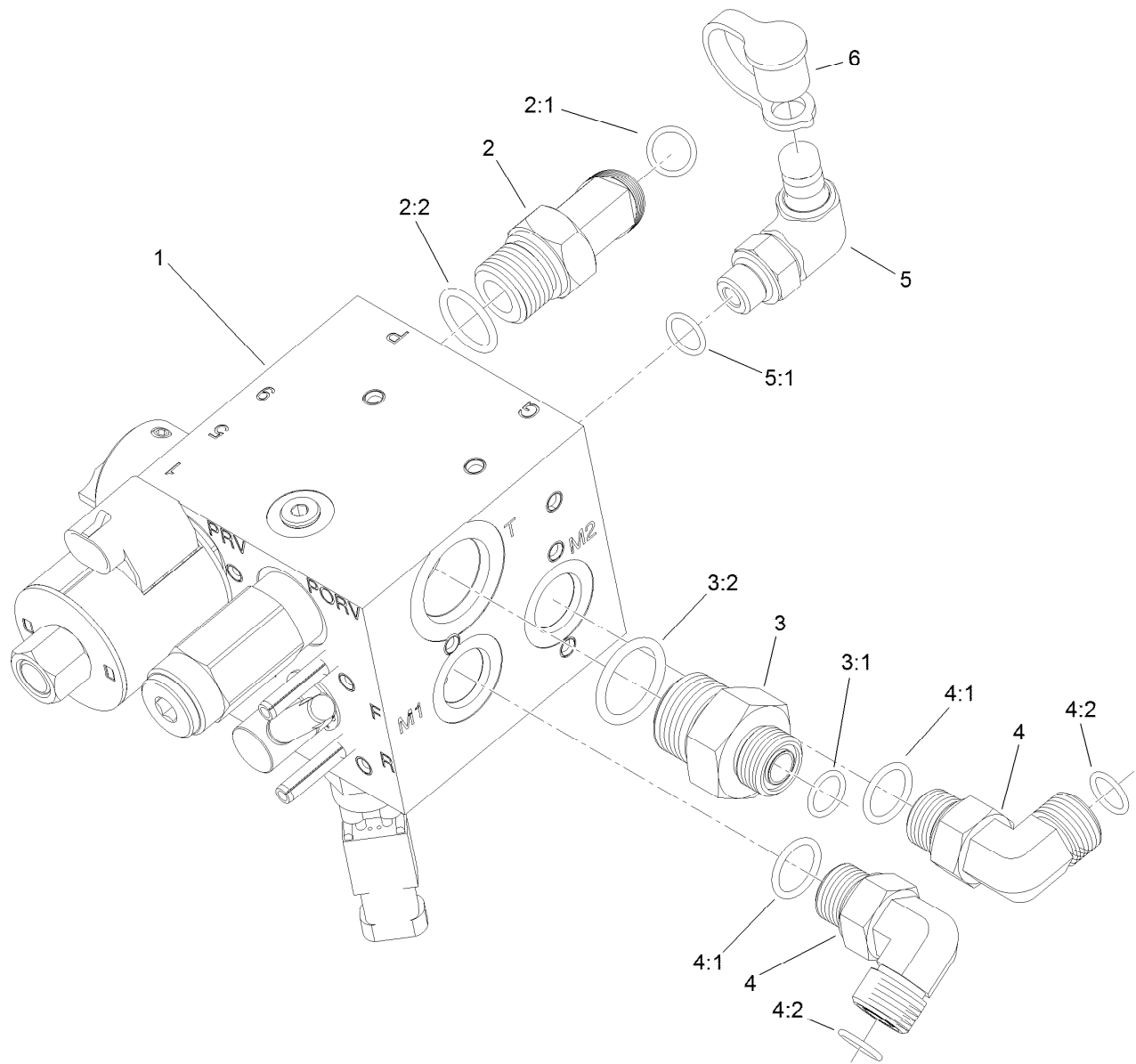
<i>Ref.</i>	<i>Part Number</i>	<i>Qty.</i>	<i>Description</i>
3	140-5273	1	Hose ASM, HYD
4	120-1967	1	Hose-HYD
5	340-14	1	Fitting-HYD, 45 DEG
5:1	237-65	1	O-Ring
5:2	237-80	1	O-Ring
6	340-17	1	Fitting-Elbow, 90 DEG
6:1	237-65	1	O-Ring
6:2	237-80	1	O-Ring
7	3290-378	1	Tie-Cable
8	2412-39	1	Clamp-R
9	32144-14	1	Screw-HWHTF



Hydraulic Mow Assembly

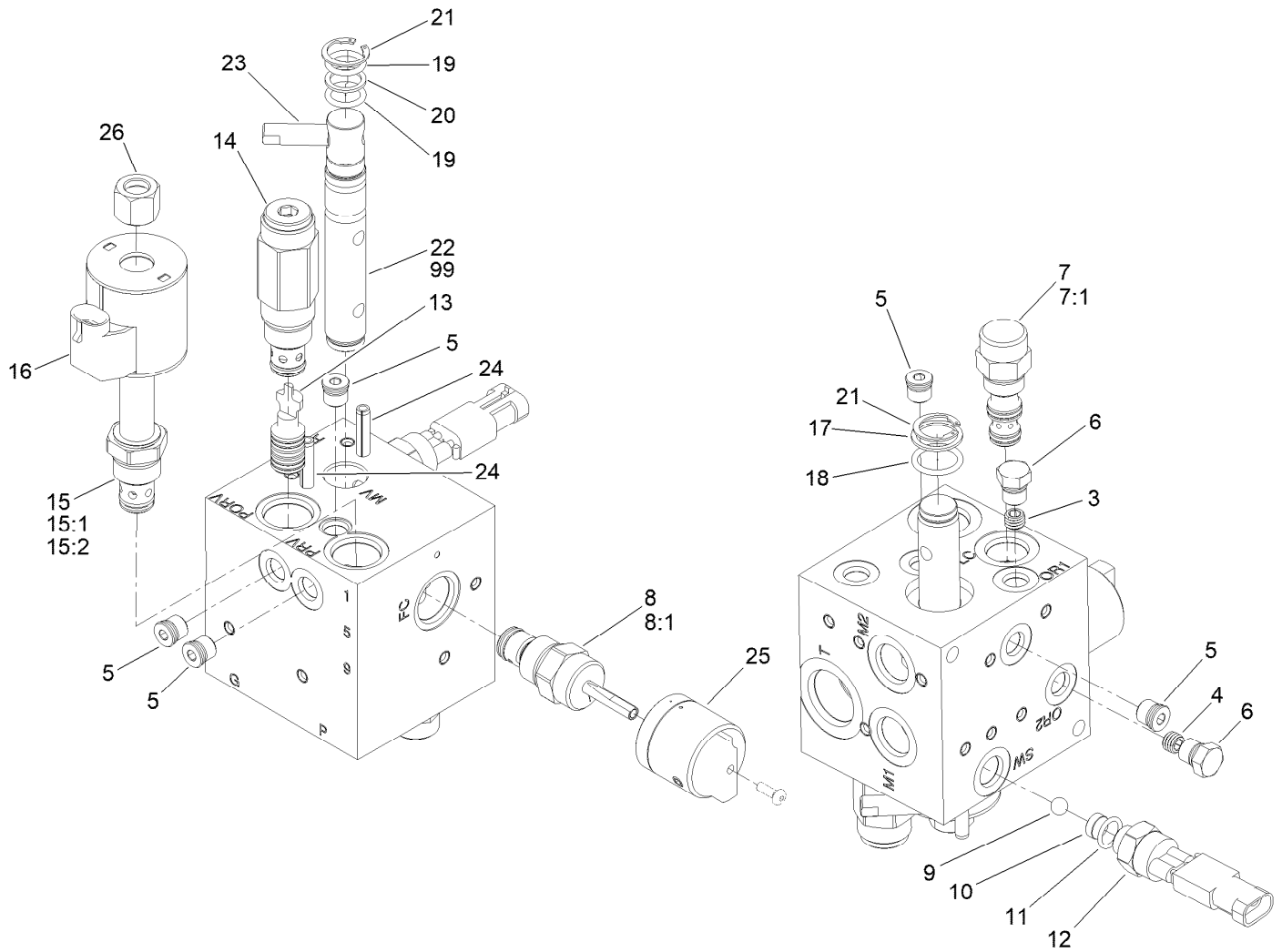
Ref.	Part Number	Qty.	Description	Ref.	Part Number	Qty.	Description
1	56-7972	4	Clamp-Tube	15	119-8156	2	Clamp-Tube
2	69-9760	2	Plate-Cover	16	138-5044	4	Clamp-Tube
3	69-9761	2	Plate-Cover	19	322-10	1	Screw-HH
4	104-7201	2	Nut-HF, NI	20	322-12	1	Screw-HH
5	104-8300	14	Nut-HF, NI	21	322-19	1	Screw-HH
6	119-2082	2	Clamp-Tube	22	322-21	1	Screw-HH
7	119-2091	1	Bracket-Tube	23	2412-113	1	Clamp-R
8	119-2095	1	Bracket-Tube	24	3234-29	4	Screw-HHF
9	119-2106	1	Bracket-Clamp	25	3234-47	6	Screw-HHF
10	119-4493	1	Bracket-Support, Tube	26	32104-32	4	Screw-HWH
11		1	Mow Manifold ASM ●	27	3256-23	1	Washer-Plain
12	121-6671	1	Wireform Hose Support	28	32105-18	2	Screw-HHF
13	121-6667	1	Wireform-Hose, HYD	29	3234-7	2	Screw-HHF
14	119-8109-03	1	Bracket-Hose				

● Not serviced separately



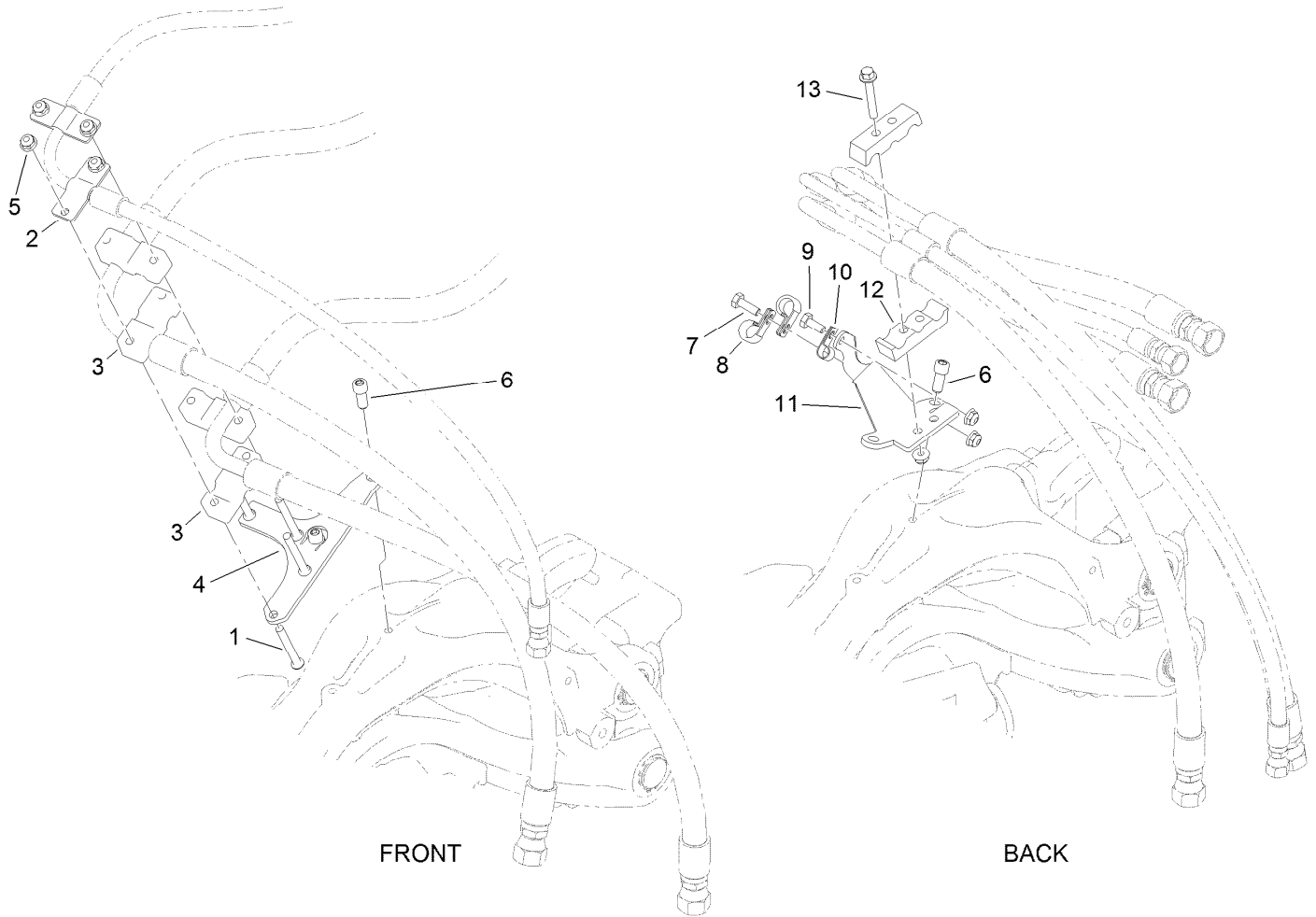
Hydraulic Mow Manifold Assembly

Ref.	Part Number	Qty.	Description
1	147-3079	1	Block-Manifold
2	340-89	1	Fitting-HYD, 45 DEG
2:1	237-30	1	O-Ring
2:2	237-80	1	O-Ring
3	100-4240	1	Fitting-STR
3:1	237-30	1	O-Ring
3:2	237-81	1	O-Ring
4	340-98	2	Fitting-Elbow, 90 DEG
4:1	237-79	1	O-Ring
4:2	237-30	1	O-Ring
5	115-9147	1	Fitting-Elbow, 90 DEG
5:1	237-78	1	O-Ring
6	354-79	1	Cap-Dust



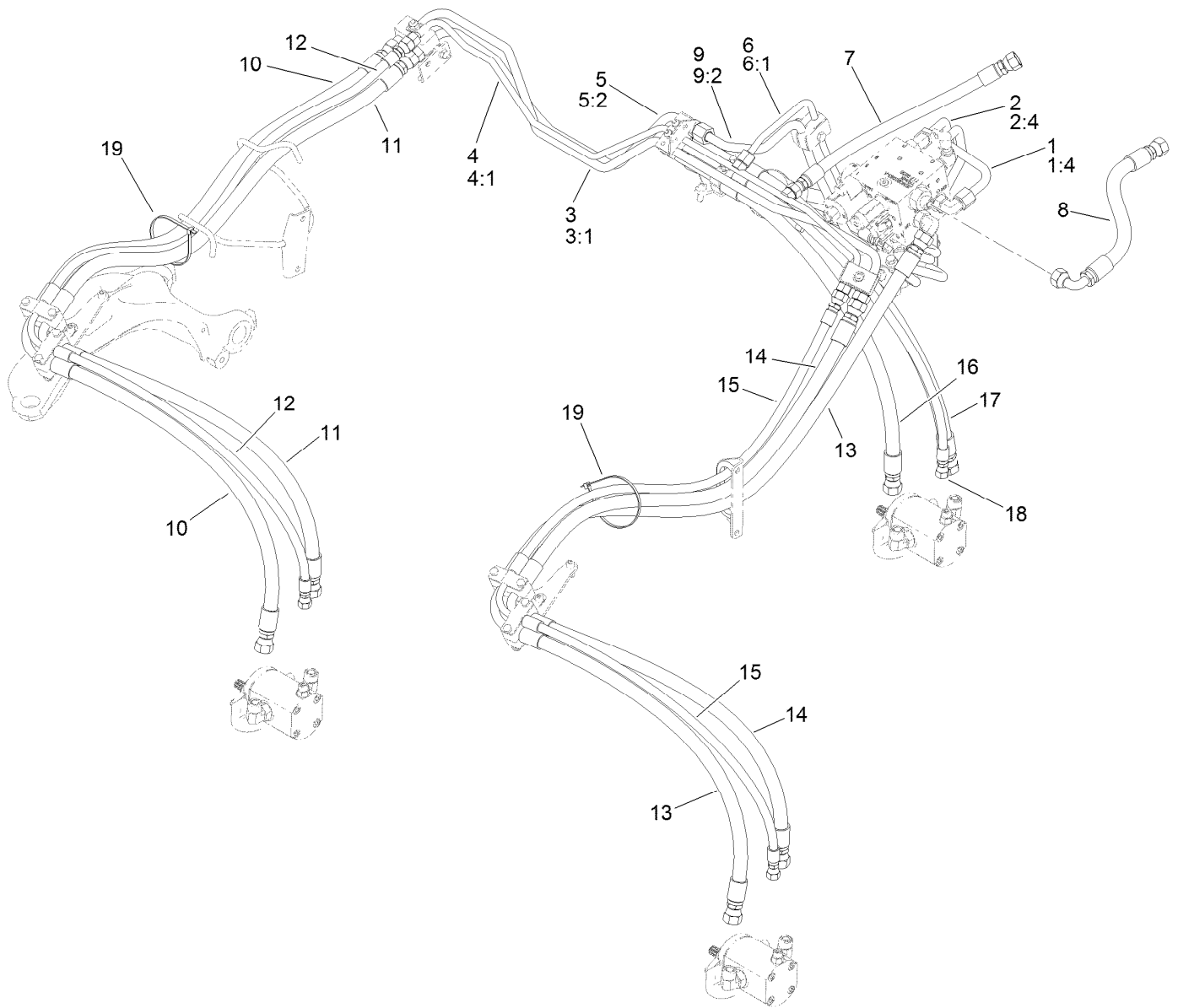
Hydraulic Mow Manifold Assembly No. 147-3079

Ref.	Part Number	Qty.	Description	Ref.	Part Number	Qty.	Description
3	120-5761	1	Orifice (.020)	15:1	110-6316	1	Seal Kit
4	112-9202	1	Orifice-Flow, Control (.060)	15:2	130-8180	1	Nut-Coil (9/16-24 Unef-2B)
5	106-1025	3	Plug-HYD	16	110-6344	1	Coil-12V, DC
6	117-0115	2	Plug	17	106-8139	1	Ring-Back Up
7	120-5762	1	Element-Logic	18	117-4607	1	O-Ring
7:1	110-8773	1	Seal Kit	19	117-4606	2	O-Ring
8	147-3068	1	Valve-Control, Manual Flow	20	112-6534	1	Ring-Back Up
8:1	132-6231	1	Seal Kit	21	112-6532	2	Ring-Retaining
9	117-4605	1	Ball-SS	22	119-7141	1	Spool
10	119-7145	1	Shim-SS	23	110-8758	1	Handle-Spool
11	110-8757	1	O-Ring	24	112-6531	2	Pin-Spring
12	72-4320	1	Switch-Ball	25	119-7140	1	Knob
13	119-7146	1	Piston-Pilot (With Seals)	26	130-8180	1	Nut-Coil (9/16-24 Unef-2B)
14	119-7147	1	Valve-Relief	99	119-7142	1	Kit-Seal, Spool
15	110-8799	1	Valve-Relief, Proportional				



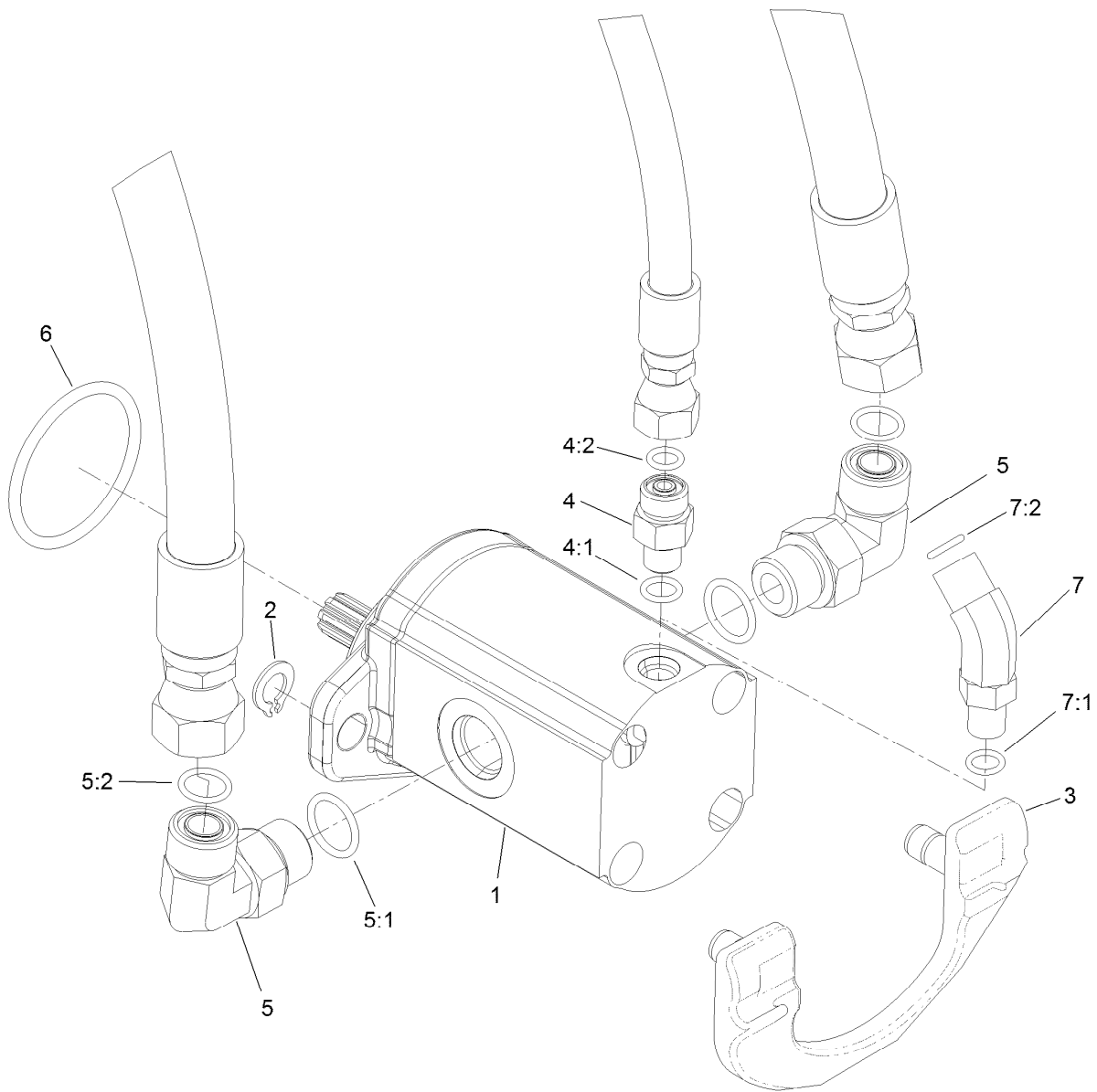
Hydraulic Mow Clamp Assembly

<i>Ref.</i>	<i>Part Number</i>	<i>Qty.</i>	<i>Description</i>
1	120-2011	8	Screw-HSBH
2	119-8142	4	Strap
3	119-8141	8	Clamp-Tube
4	119-8143-03	2	Bracket-Clamp, Hose
5	104-7201	12	Nut-HF, NI
6	100-2401	6	Screw-HSH
7	321-4	1	Screw-HH
8	2412-73	2	Clamp-R
9	321-3	1	Screw-HH
10	2412-89	1	Clamp-R
11	119-8172-03	1	Bracket-Hose
12	119-2082	2	Clamp-Tube
13	32105-18	2	Screw-HHF



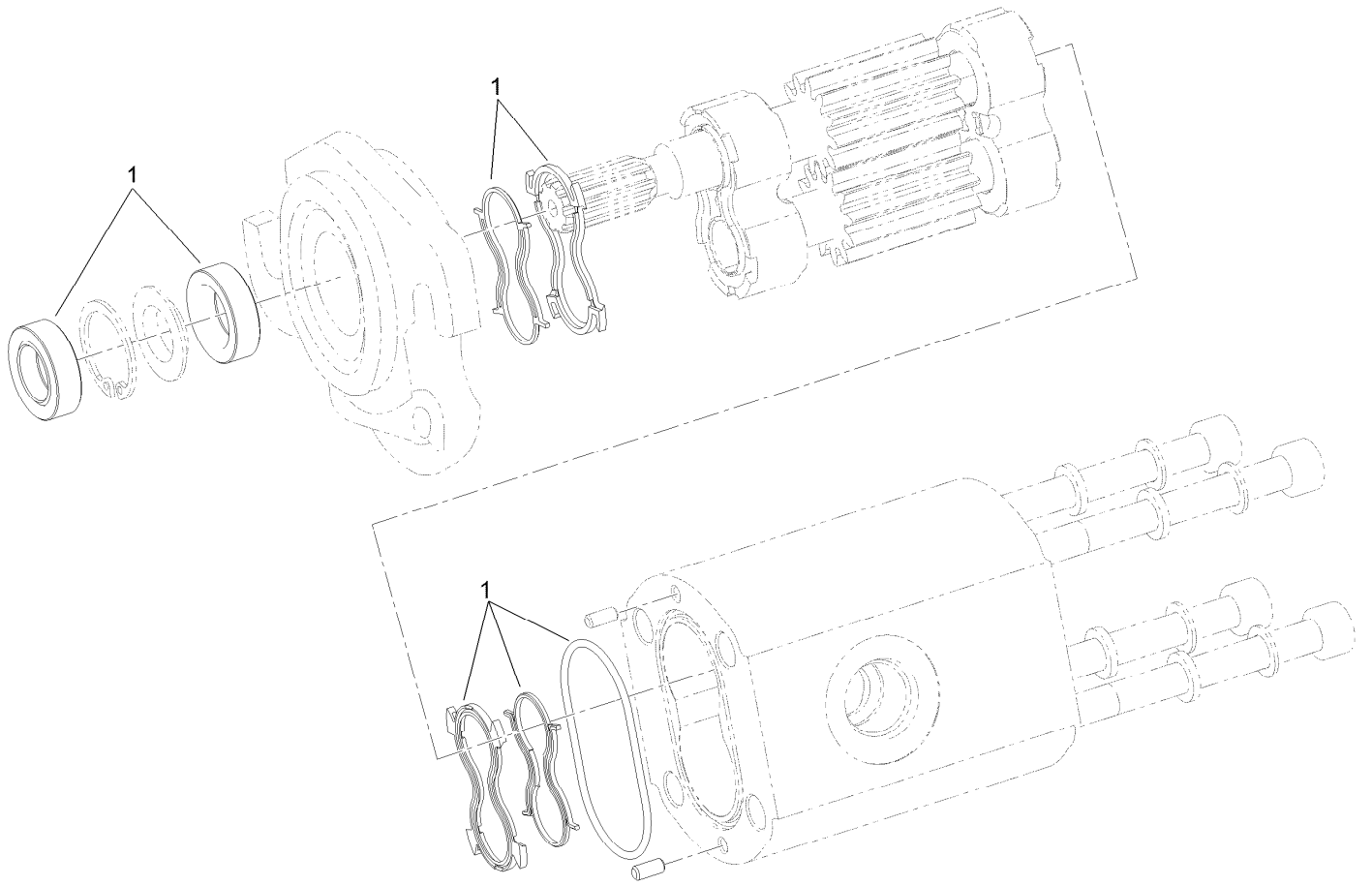
Hydraulic Mow Hose Routing Assembly

<i>Ref.</i>	<i>Part Number</i>	<i>Qty.</i>	<i>Description</i>	<i>Ref.</i>	<i>Part Number</i>	<i>Qty.</i>	<i>Description</i>
1	117-9347	1	HYD Tube ASM	9	119-8122	1	HYD Tube ASM
1:4	237-30	1	O-Ring	9:2	237-30	1	O-Ring
2	119-2073	1	HYD Tube ASM	10	140-5282	1	HYD Hose ASM (Pressure #3)
2:4	237-30	1	O-Ring	11	140-5283	1	HYD Hose ASM (Return #3)
3	119-2078	1	HYD Tube ASM	12	139-6536	1	Hose ASM Case 3
3:1	237-30	2	O-Ring	13	140-5284	1	HYD Hose ASM (Pressure #2)
4	119-2079	1	HYD Tube ASM	14	140-5285	1	HYD Hose ASM (Return #2)
4:1	237-22	4	O-Ring	15	139-6535	1	Hose ASM Case 2
5	119-2084	1	HYD Tube ASM	16	140-5286	1	HYD Hose ASM (Pressure #1)
5:2	237-30	2	O-Ring	17	140-5287	1	HYD Hose ASM (Return #1)
6	119-2085	1	HYD Tube ASM	18	139-6534	1	Hose ASM Case 1
6:1	237-22	1	O-Ring	19	3290-379	2	Tie-Cable
7	119-2089	1	Hose-HYD (Case To Tank)				
8	119-8106	1	Hose-HYD (Mow Block/Tank)				



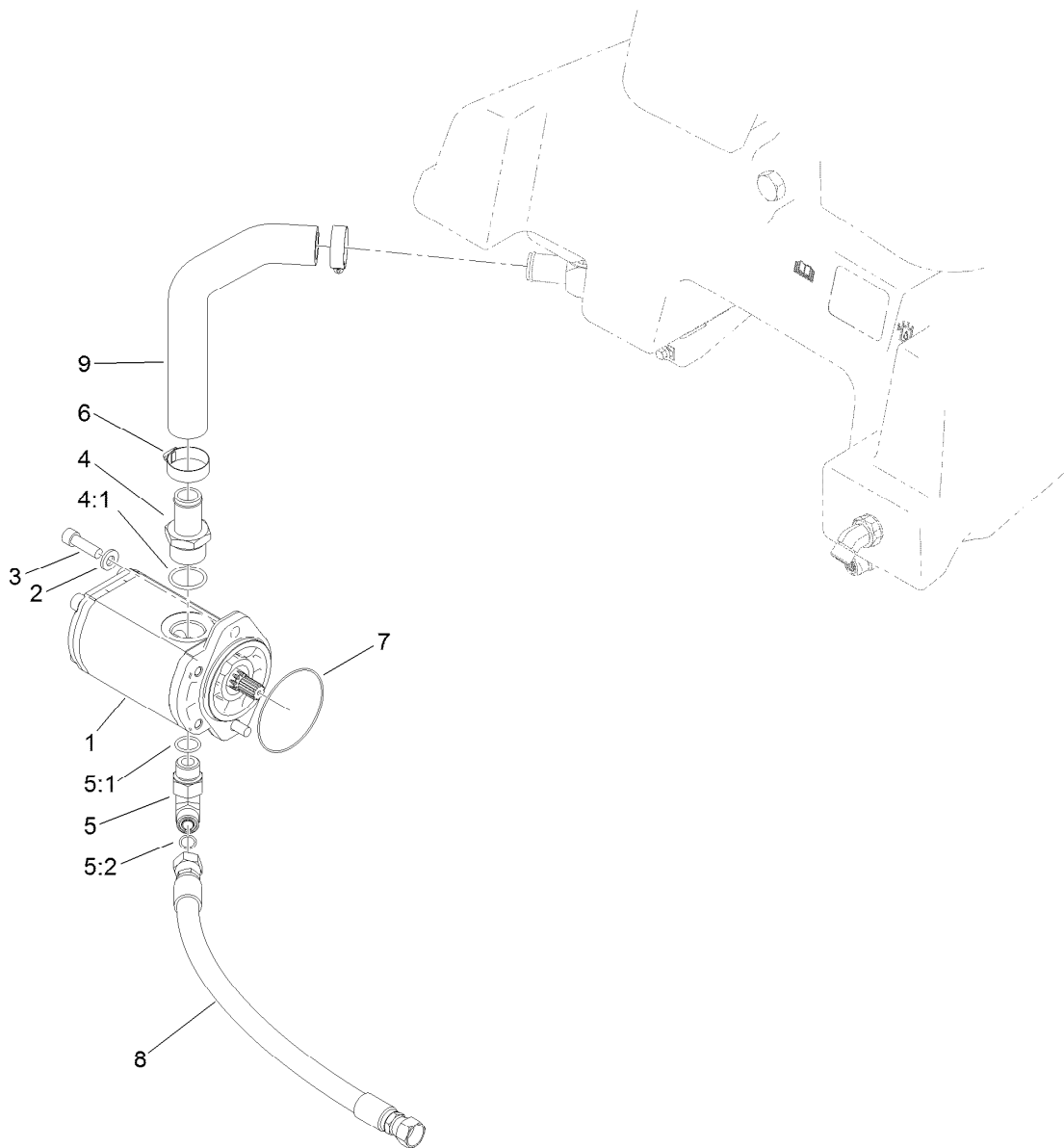
Hydraulic Mow Reel Motor Assembly

Ref.	Part Number	Qty.	Description
1	115-3321	3	HYD Reel Motor ASM
2	133-8926	6	Ring-Retaining (Metric)
3	115-5389	3	Cam-Mount, Motor
4	340-92	2	Fitting-Straight
4:1	237-78	1	O-Ring
4:2	237-21	1	O-Ring
5	340-98	6	Fitting-Elbow, 90 DEG
5:1	237-79	1	O-Ring
5:2	237-30	1	O-Ring
6	115-3298	3	O-Ring
7	340-103	1	Fitting-HYD, 45 DEG
7:1	237-78	1	O-Ring
7:2	237-21	1	O-Ring



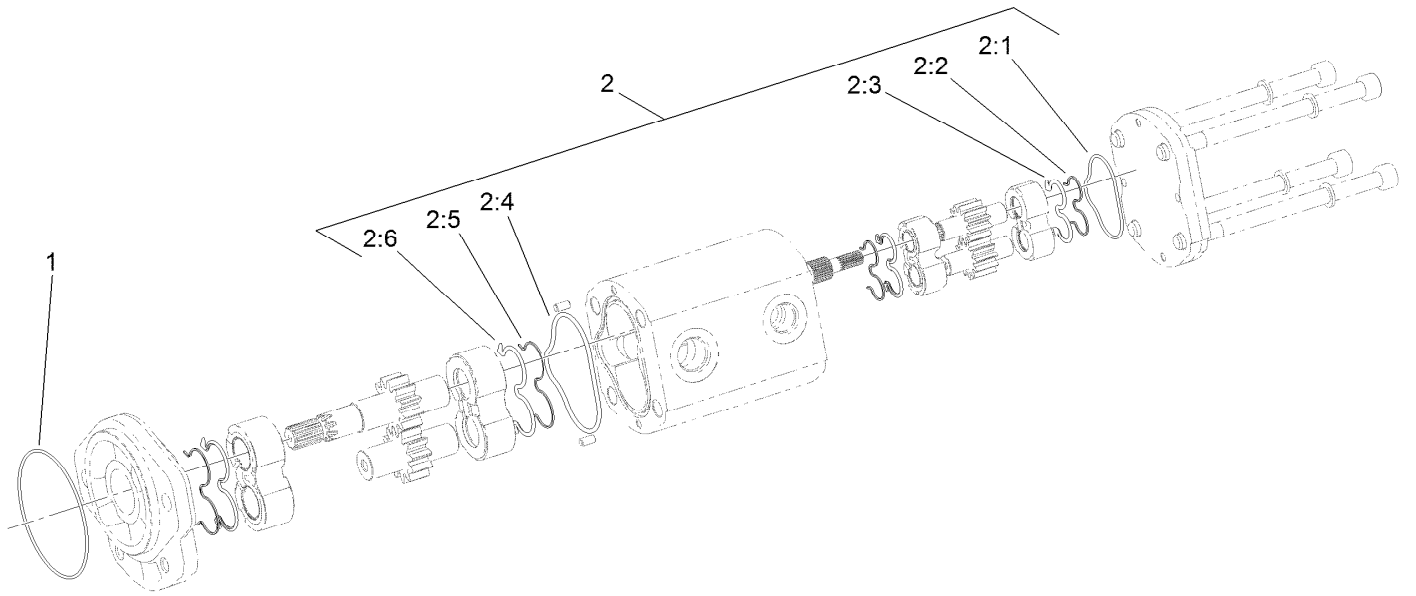
Hydraulic Reel Motor Assembly No. 115-3321

<i>Ref.</i>	<i>Part Number</i>	<i>Qty.</i>	<i>Description</i>
1	145-2785	1	Seal Kit



Hydraulic Mow Gear Pump Assembly

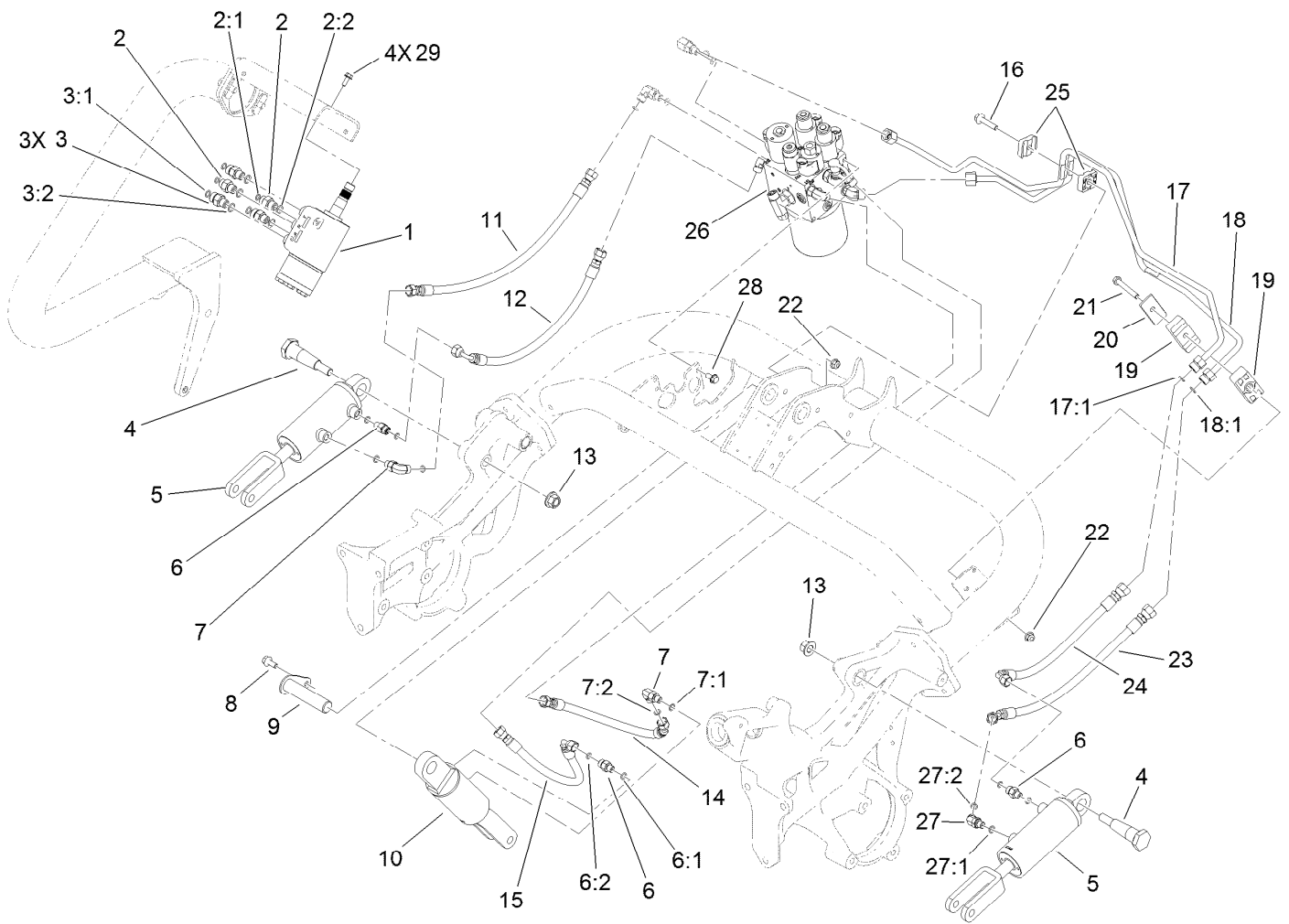
<i>Ref.</i>	<i>Part Number</i>	<i>Qty.</i>	<i>Description</i>
1	114-9956	1	HYD Gear Pump ASM
2	100-4852	2	Washer-Hardened
3	AU862-10030	2	Screw-HSH
4	354-78	1	Fitting-STR
4:1	237-146	1	O-Ring
5	340-105	1	Fitting-Elbow, 90 DEG
5:1	237-80	1	O-Ring
5:2	237-30	1	O-Ring
6	2412-34	2	Clamp-Hose
7	237-161	1	O-Ring
8	119-2075	1	Hose-HYD
9	119-4477	1	Hose-Inlet



Hydraulic Gear Pump Assembly No. 114-9956

<i>Ref.</i>	<i>Part Number</i>	<i>Qty.</i>	<i>Description</i>
1	353-949	1	O-Ring
2	119-7134	1	Kit-Seal
2:1		1	O-Ring ●
2:2		2	Seal-Extrusion, Anti ●
2:3		2	Seal-Backup ●
2:4		1	O-Ring ●
2:5		2	Seal-Extrusion, Anti ●
2:6		2	Seal-Backup ●

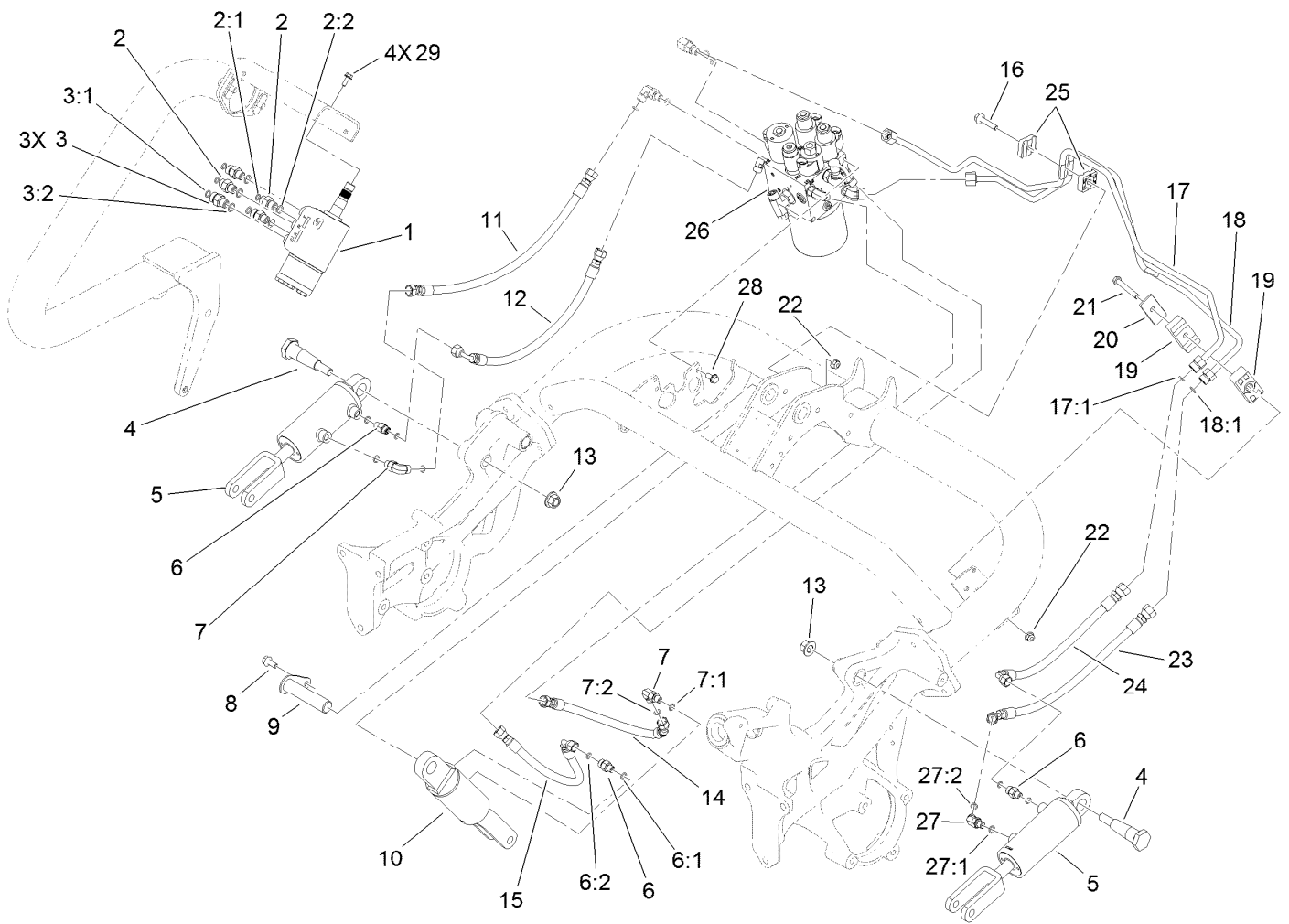
● Not serviced separately



Lift Circuit Assembly

Ref.	Part Number	Qty.	Description	Ref.	Part Number	Qty.	Description
1	114-4672	1	Steering Valve ASM	10	119-8128	1	No. 1 HYD Cylinder ASM
2	340-1	2	Fitting-Straight	11	119-2052	1	Hose-HYD
2:1	237-21	1	O-Ring	12	119-2053	1	Hose-HYD
2:2	237-42	1	O-Ring	13	99-5107	2	Nut-HF Nylock
3	340-2	3	Fitting-Straight	14	119-2051	1	Hose-HYD
3:1	237-22	1	O-Ring	15	119-2050	1	Hose-HYD
3:2	237-42	1	O-Ring	16	115-1794	1	Screw-HHF
4	112-5709	2	Pin-Tapered	17	119-8126	1	HYD Tube ASM
5	119-8129	2	No. 2 And 3 HYD Cylinder ASM	17:1	237-22	1	O-Ring
6	340-92	3	Fitting-Straight	18	119-8127	1	HYD Tube ASM
6:1	237-78	1	O-Ring	18:1	237-22	1	O-Ring
6:2	237-21	1	O-Ring	19	120-3200	2	Clamp-Tube
7	340-132	2	Fitting-Elbow, 90 DEG	20	69-9761	1	Plate-Cover
7:1	237-78	1	O-Ring	21	322-12	1	Screw-HH
7:2	237-21	1	O-Ring	22	104-8300	3	Nut-HF, NI
8	3234-47	1	Screw-HHF	23	119-2066	1	Hose-HYD
9	119-8104	1	Pin	24	119-2065	1	Hose-HYD
				25	56-7973	2	Clamp-Tube

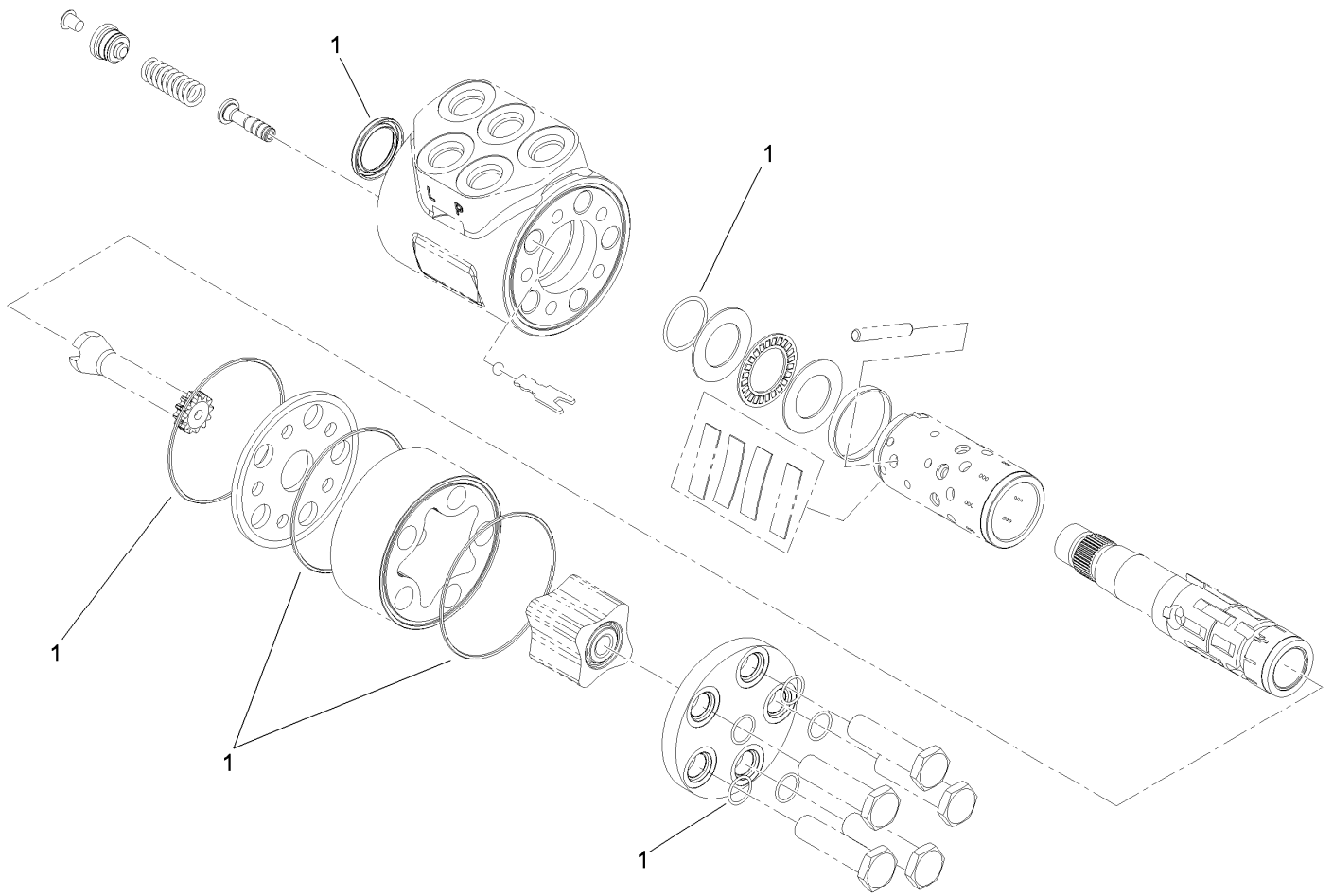
● Not serviced separately



Lift Circuit Assembly (continued)

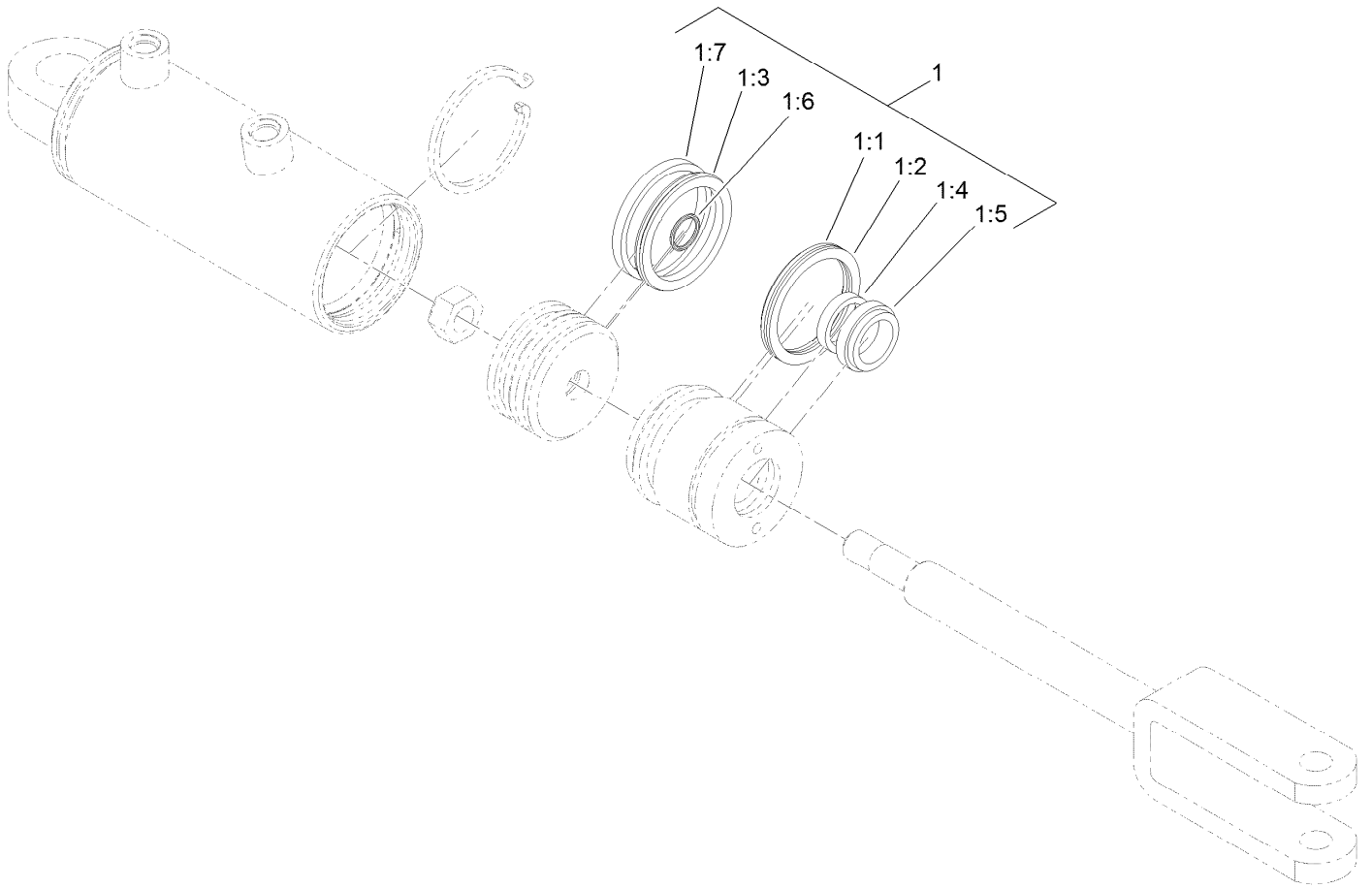
Ref.	Part Number	Qty.	Description	Ref.	Part Number	Qty.	Description
26		1	Hydraulic Lift Manifold ASM	27:2	237-21	1	O-Ring
27	340-103	1	Fitting-HYD, 45 DEG	28	3234-7	2	Screw-HHF
27:1	237-78	1	O-Ring	29	33103-016	4	Screw-HHF

● Not serviced separately



Steering Valve Assembly No. 114-4672

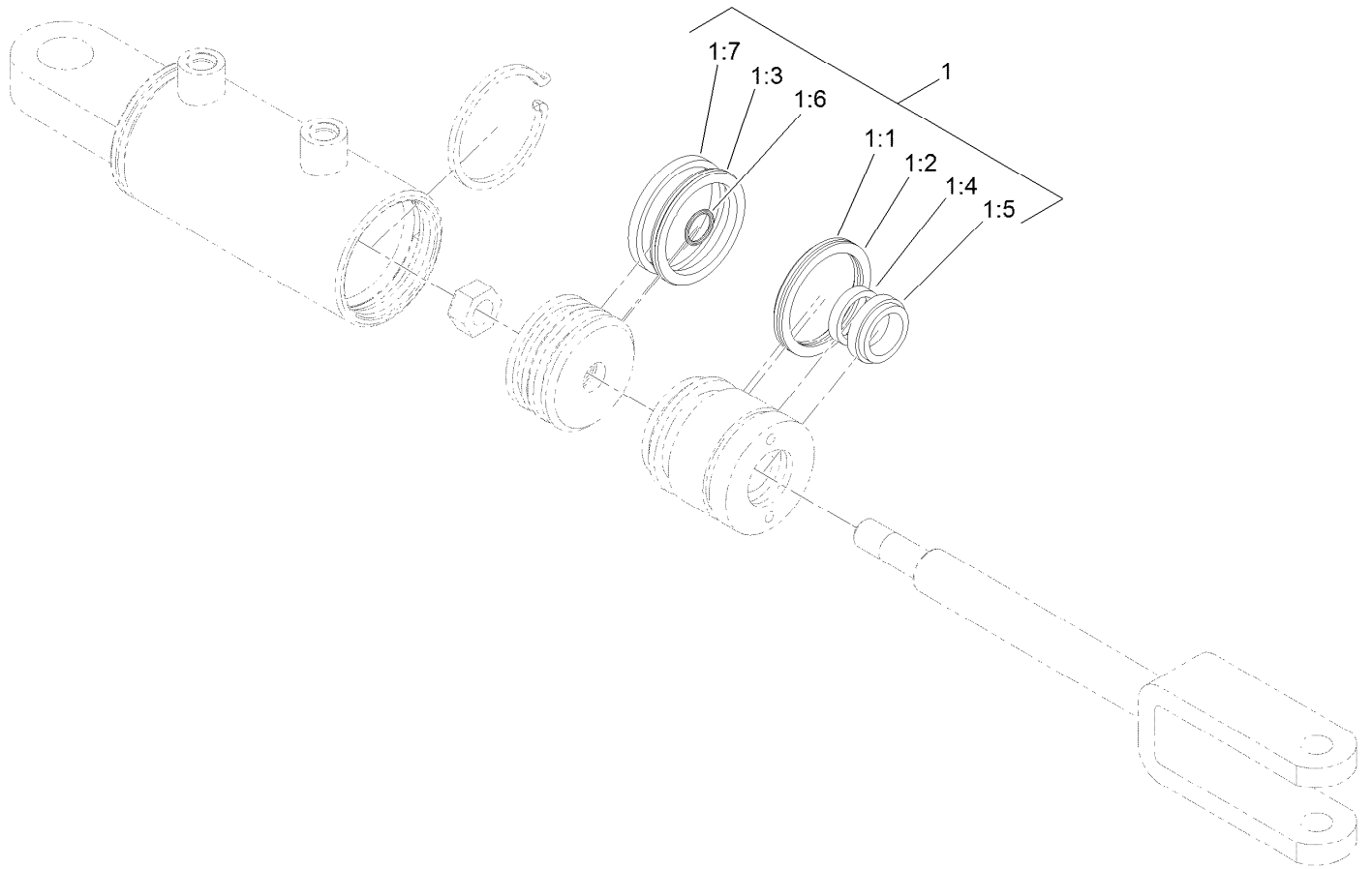
<i>Ref.</i>	<i>Part Number</i>	<i>Qty.</i>	<i>Description</i>
1	106-6716	1	Seal Kit



Hydraulic Cylinder Assembly No. 119-8129

<i>Ref.</i>	<i>Part Number</i>	<i>Qty.</i>	<i>Description</i>
1	115-3410	1	Seal Kit
1:1		1	O-Ring ●
1:2		1	Backup ●
1:3		1	Bp Seal ●
1:4		1	Bs Seal ●
1:5		1	Seal-Dust ●
1:6		1	O-Ring ●
1:7		1	Ring-Wear ●

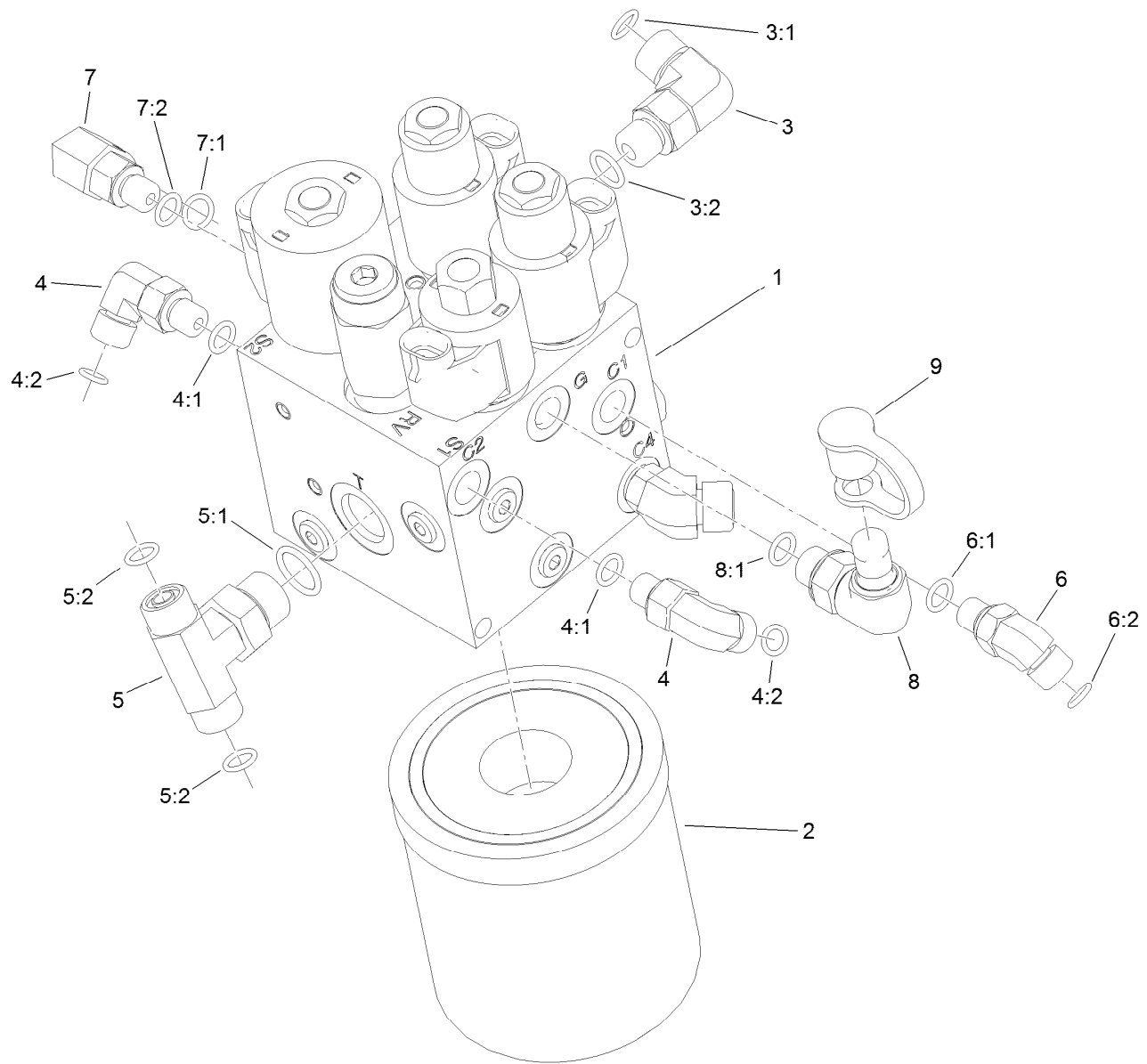
● Not serviced separately



Hydraulic Cylinder Assembly No. 119-8128

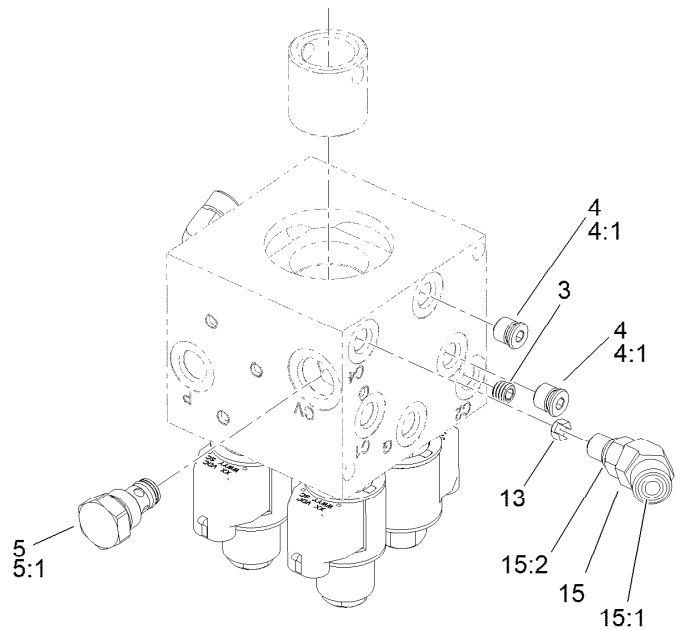
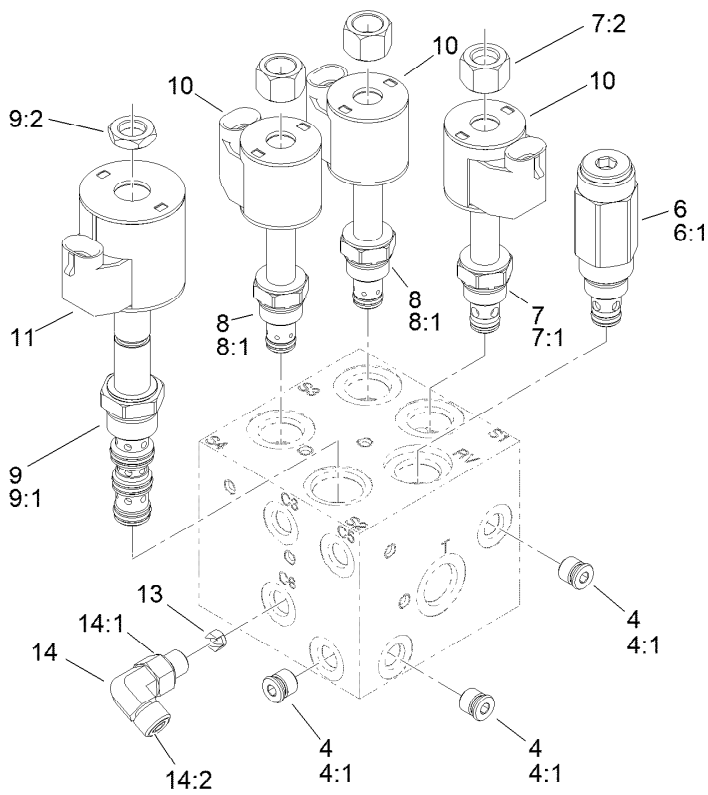
<i>Ref.</i>	<i>Part Number</i>	<i>Qty.</i>	<i>Description</i>
1	115-3410	1	Seal Kit
1:1		1	O-Ring ●
1:2		1	Backup ●
1:3		1	Bp Seal ●
1:4		1	Bs Seal ●
1:5		1	Seal-Dust ●
1:6		1	O-Ring ●
1:7		1	Ring-Wear ●

● Not serviced separately



Hydraulic Lift Manifold Assembly

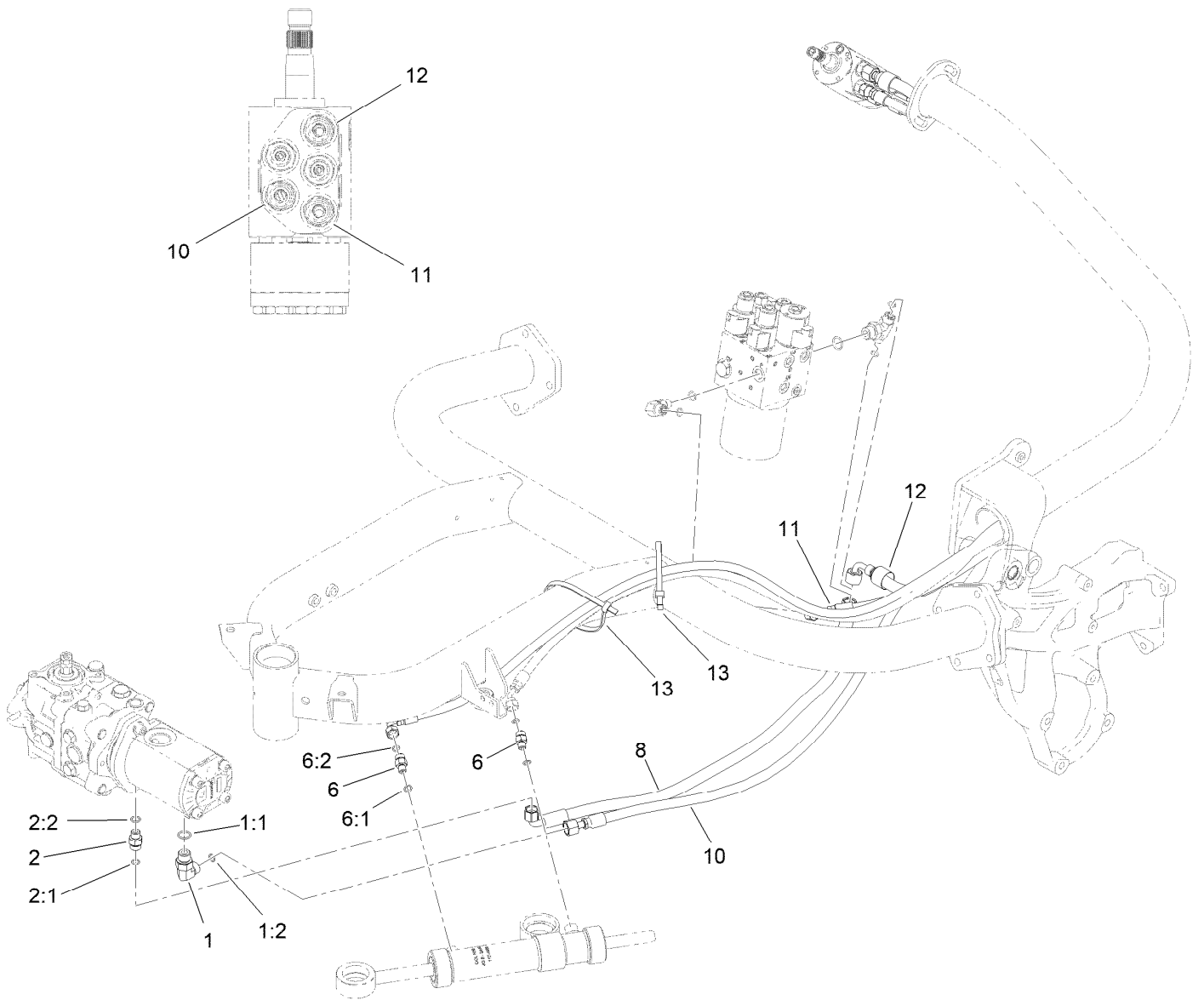
Ref.	Part Number	Qty.	Description	Ref.	Part Number	Qty.	Description
1	125-5187	1	Manifold-Lift, HYD	5:2	237-22	2	O-Ring
2	108-5194	1	Filter-Oil, HYD	6	340-103	1	Fitting-HYD, 45 DEG
3	340-77	1	Fitting-Elbow, 90 DEG	6:1	237-78	1	O-Ring
3:1	237-22	1	O-Ring	6:2	237-21	1	O-Ring
3:2	237-42	1	O-Ring	7	340-97	1	Fitting-Elbow, 90 DEG
4	340-132	2	Fitting-Elbow, 90 DEG	7:1	237-22	1	O-Ring
4:1	237-78	1	O-Ring	7:2	237-78	1	O-Ring
4:2	237-21	1	O-Ring	8	115-9147	1	Fitting-Elbow, 90 DEG
5	92-4799	1	Fitting-Tee, HYD	8:1	237-78	1	O-Ring
5:1	237-79	1	O-Ring	9	354-79	1	Cap-Dust



Hydraulic Lift Manifold Assembly No. 125-5187

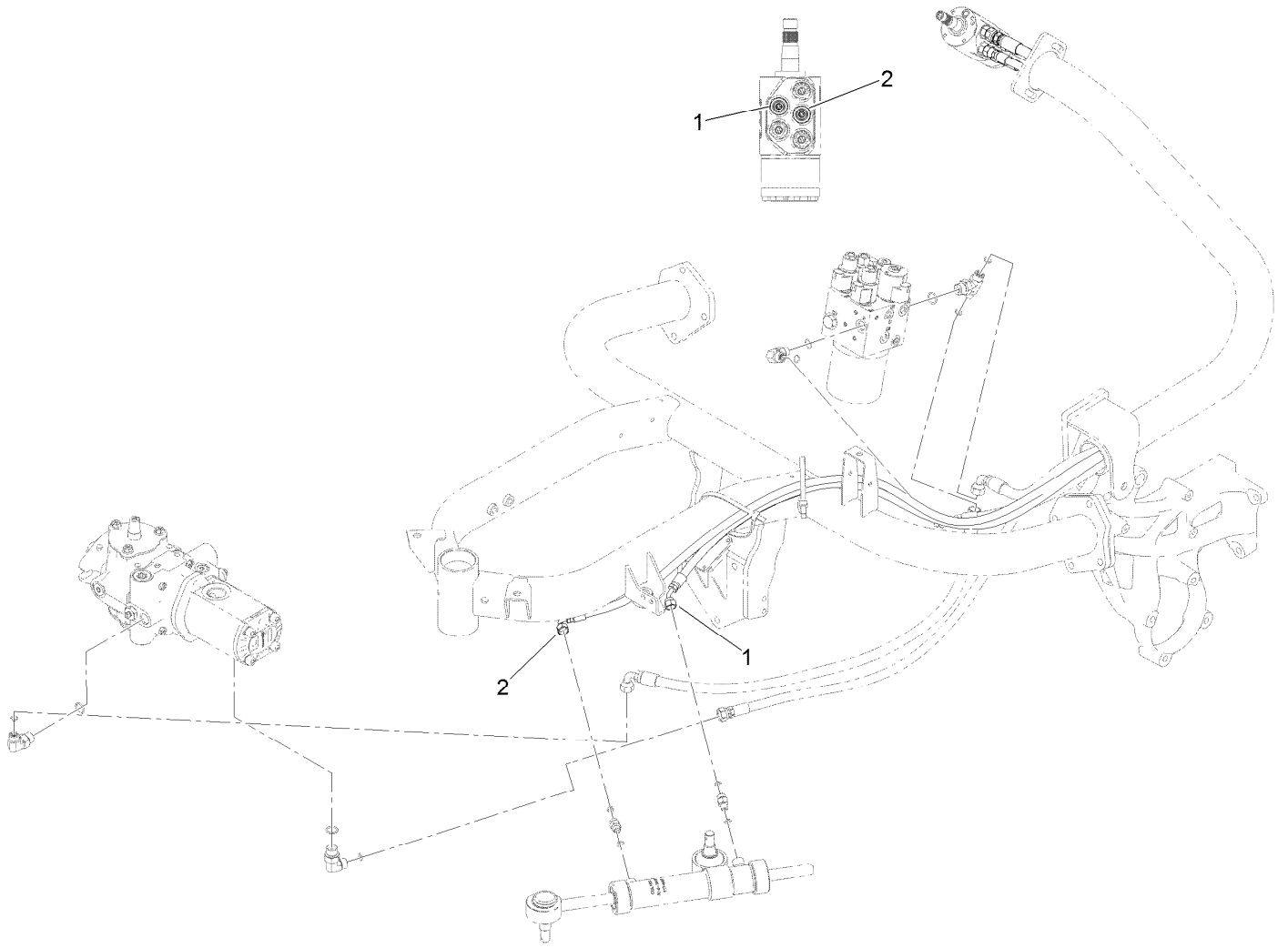
<i>Ref.</i>	<i>Part Number</i>	<i>Qty.</i>	<i>Description</i>
3	119-7144	1	Orifice (.037 Inch)
4	353-990	5	Plug ASM
4:1	237-78	1	O-Ring
5	107-7524	1	Check Valve ASM
5:1	105-9156	1	Seal Kit
6	112-9207	1	Valve-Relief
6:1	105-9156	1	Seal Kit
7	107-7517	1	Valve-Solenoid
7:1	105-9156	1	Seal Kit
7:2	107-7812	1	Nut-Solenoid
8	147-3090	2	Valve-Solenoid
8:1	107-7527	1	Seal Kit

<i>Ref.</i>	<i>Part Number</i>	<i>Qty.</i>	<i>Description</i>
9	110-8906	1	Valve-Solenoid
9:1	110-8908	1	Spool Valve Seal Kit
9:2	110-2634	1	Nut-Coil
10	110-0497	3	Coil-Solenoid
11	110-6344	1	Coil-12V, DC
13	125-5211	2	Orifice-Control, Flow (0.030)
14	340-132	1	Fitting-Elbow, 90 DEG
14:1	237-78	1	O-Ring
14:2	237-21	1	O-Ring
15	340-54	1	Elbow-45 DEG
15:1	237-22	1	O-Ring
15:2	237-78	1	O-Ring



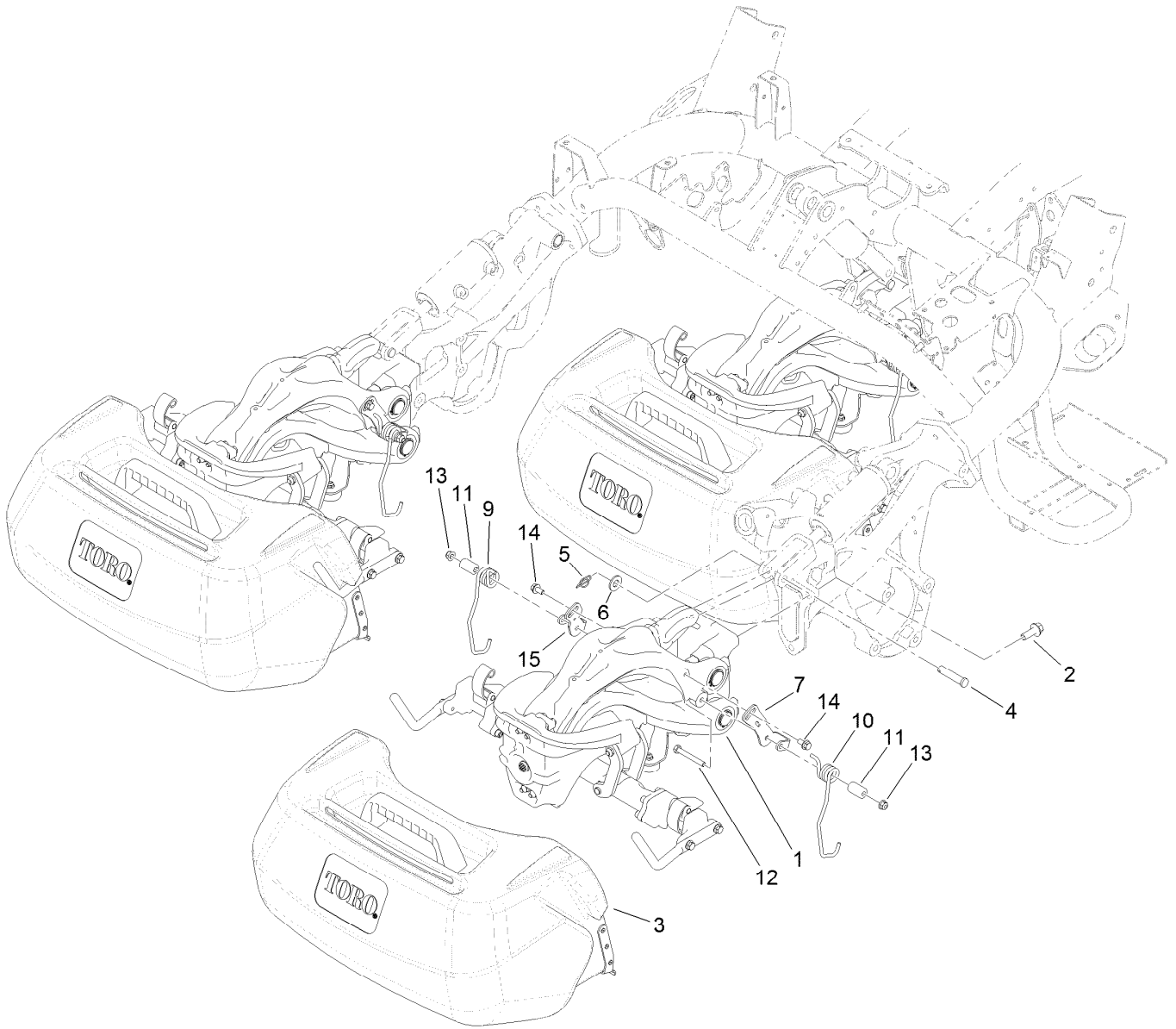
Steering Circuit Assembly (1)

Ref.	Part Number	Qty.	Description
1	340-18	1	Fitting-HYD, 90 DEG
1:1	237-79	1	O-Ring
1:2	237-22	1	O-Ring
2	340-2	1	Fitting-Straight
2:1	237-22	1	O-Ring
2:2	237-42	1	O-Ring
6	340-92	2	Fitting-Straight
6:1	237-78	1	O-Ring
6:2	237-21	1	O-Ring
8	140-5230	1	Hose ASM
10	145-0056	1	HYD Hose ASM
11	117-3683	1	Hose-HYD
12	140-5270	1	Hose ASM, HYD
13	3334-945	2	Tie-Cable



Steering Circuit Assembly (3)

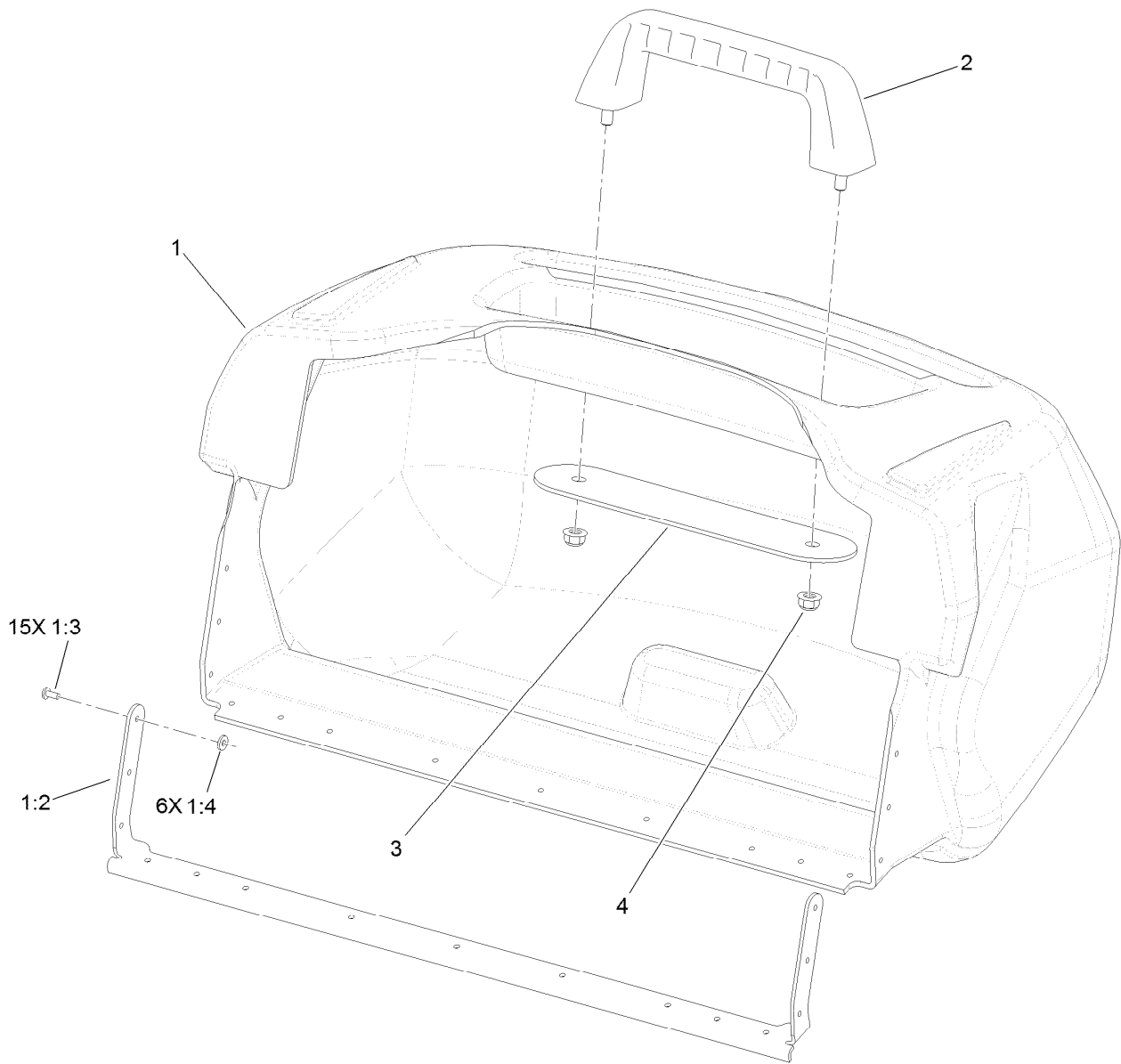
<i>Ref.</i>	<i>Part Number</i>	<i>Qty.</i>	<i>Description</i>
1	117-3685	1	Hose-HYD
2	117-3688	1	Hose-HYD



Suspension and Basket Assembly

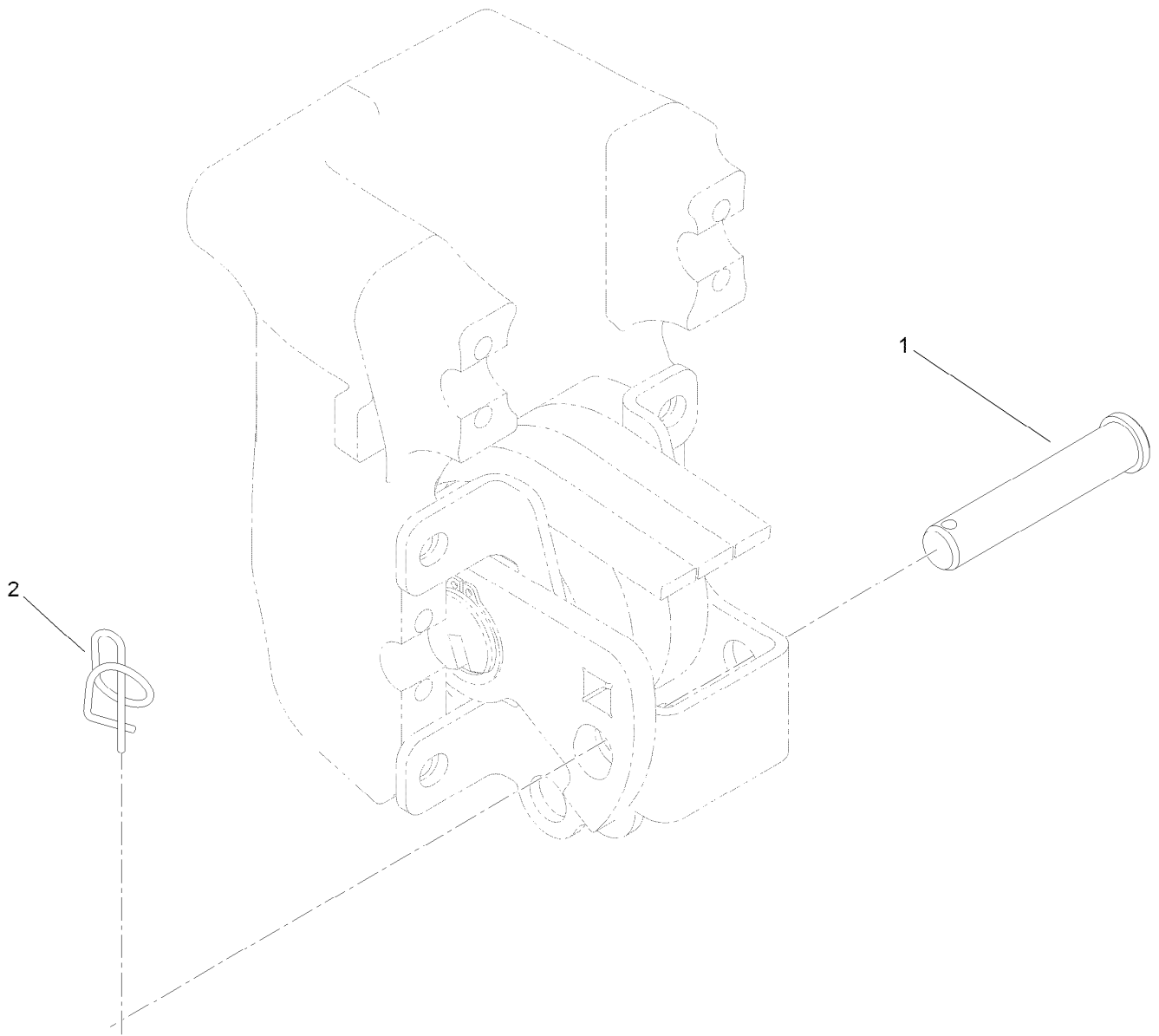
Ref.	Part Number	Qty.	Description
1		3	Suspension ASM ●
2	117-9035	9	Screw-HHF
3	132-9599	3	Basket ASM
4	92-2739	3	Pin-Clevis
5	112-1491	3	Pin-Cotter
6	29-8910	3	Washer
7	133-8998	3	Retainer-Spring, LH
9	117-6826	3	Spring-Stabilizer, RH
10	117-6827	3	Spring-Stabilizer, LH
11	117-6825	6	Spacer
12	322-12	6	Screw-HH
13	104-8300	6	Nut-HF, NI
14	114-7728	6	Screw-HHF, Patch
15	133-8997	3	Retainer-Spring-RH

● Not serviced separately



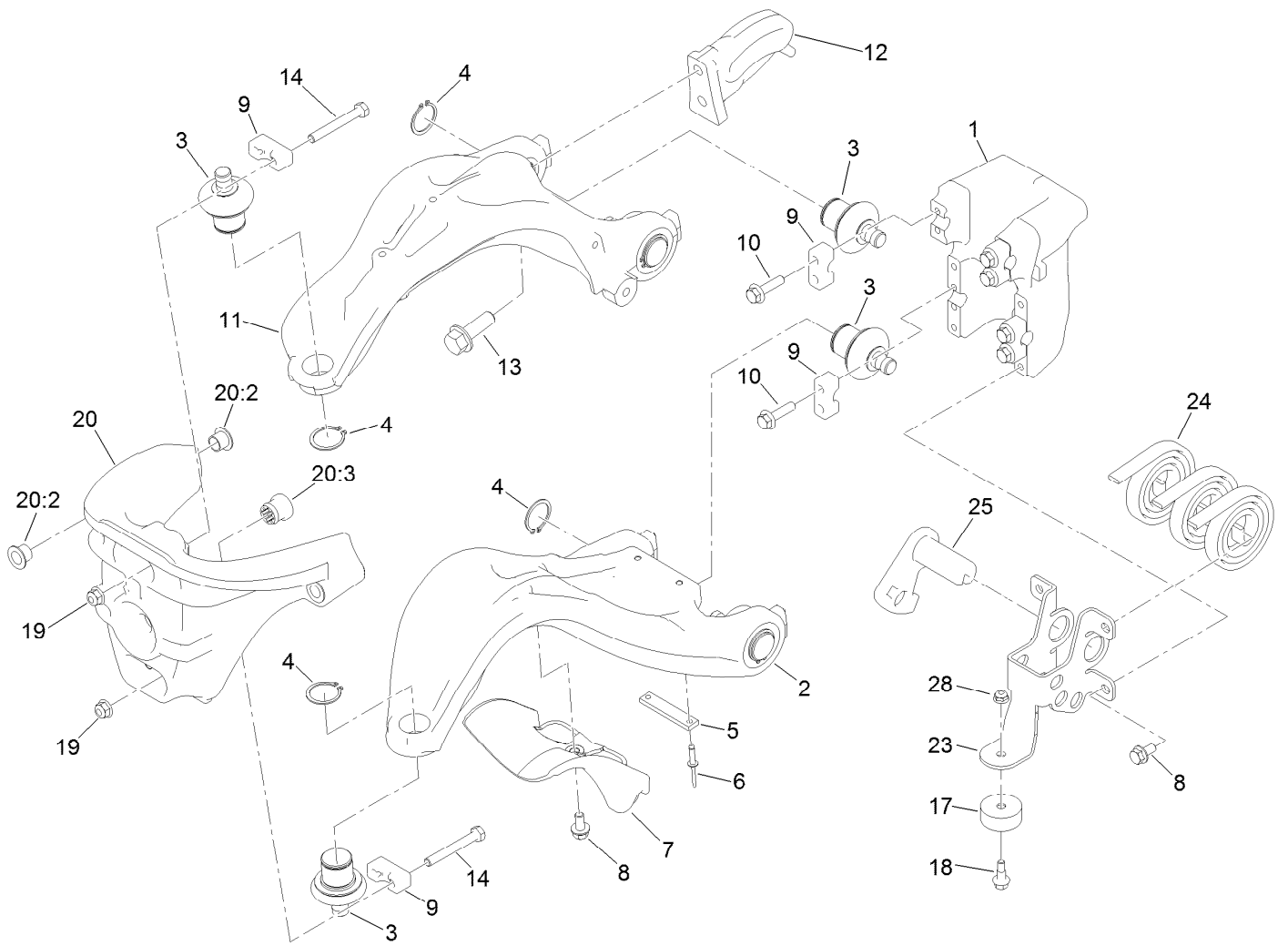
Basket Assembly No. 132-9599

Ref.	Part Number	Qty.	Description
1	132-9510	1	Basket Assembly
1:2	132-3806	1	Support-Basket
1:3	3269-25	15	Rivet-Pop
1:4	3256-75	6	Washer-Flat
2	117-8088	1	Handle-Grab
3	117-8092-03	1	Plate-Mounting
4	104-8300	2	Nut-HF, NI



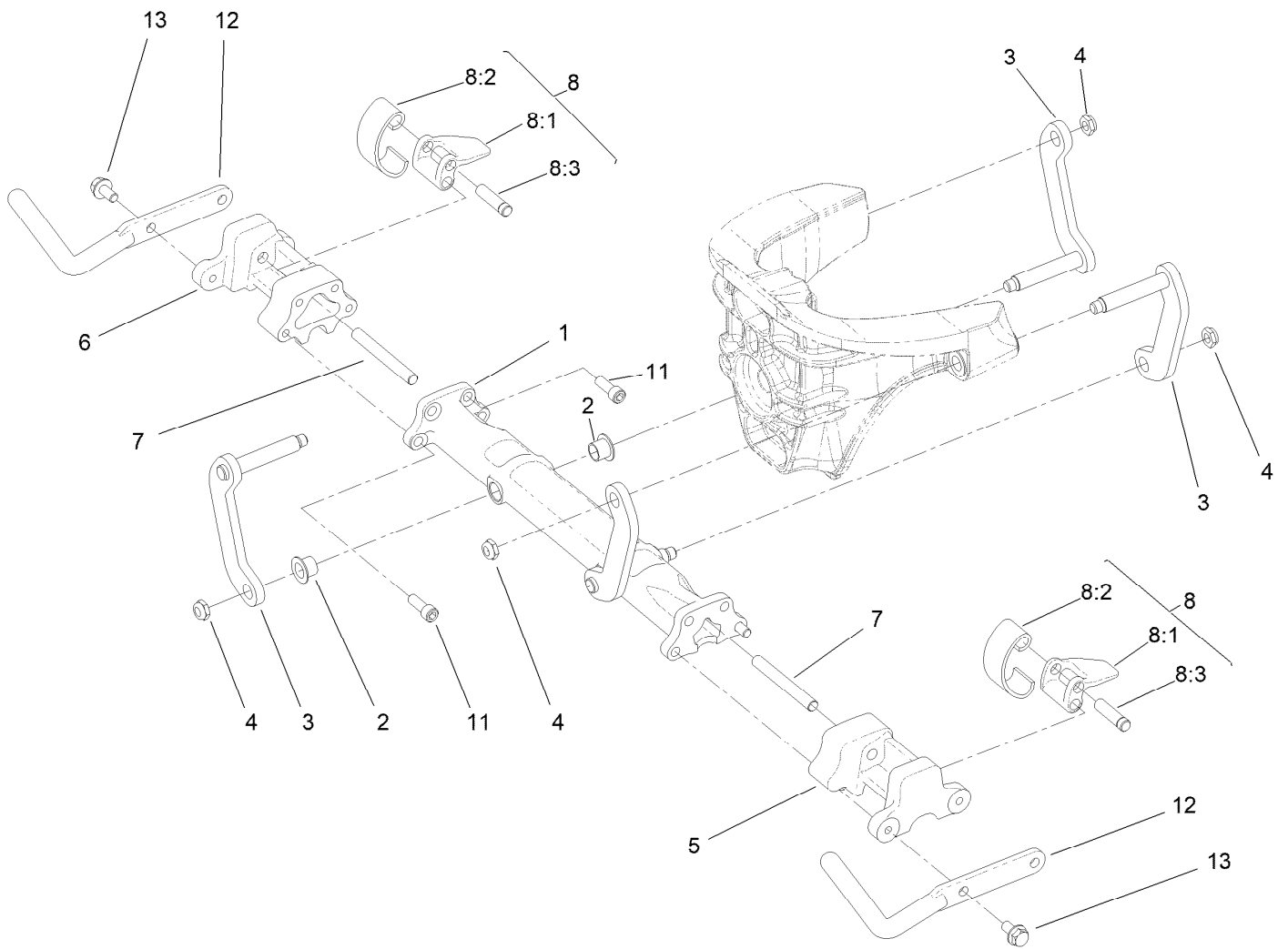
Suspension Pin Position Assembly

<i>Ref.</i>	<i>Part Number</i>	<i>Qty.</i>	<i>Description</i>
1	100-6541	3	Pin-Clevis
2	112-1491	3	Pin-Cotter



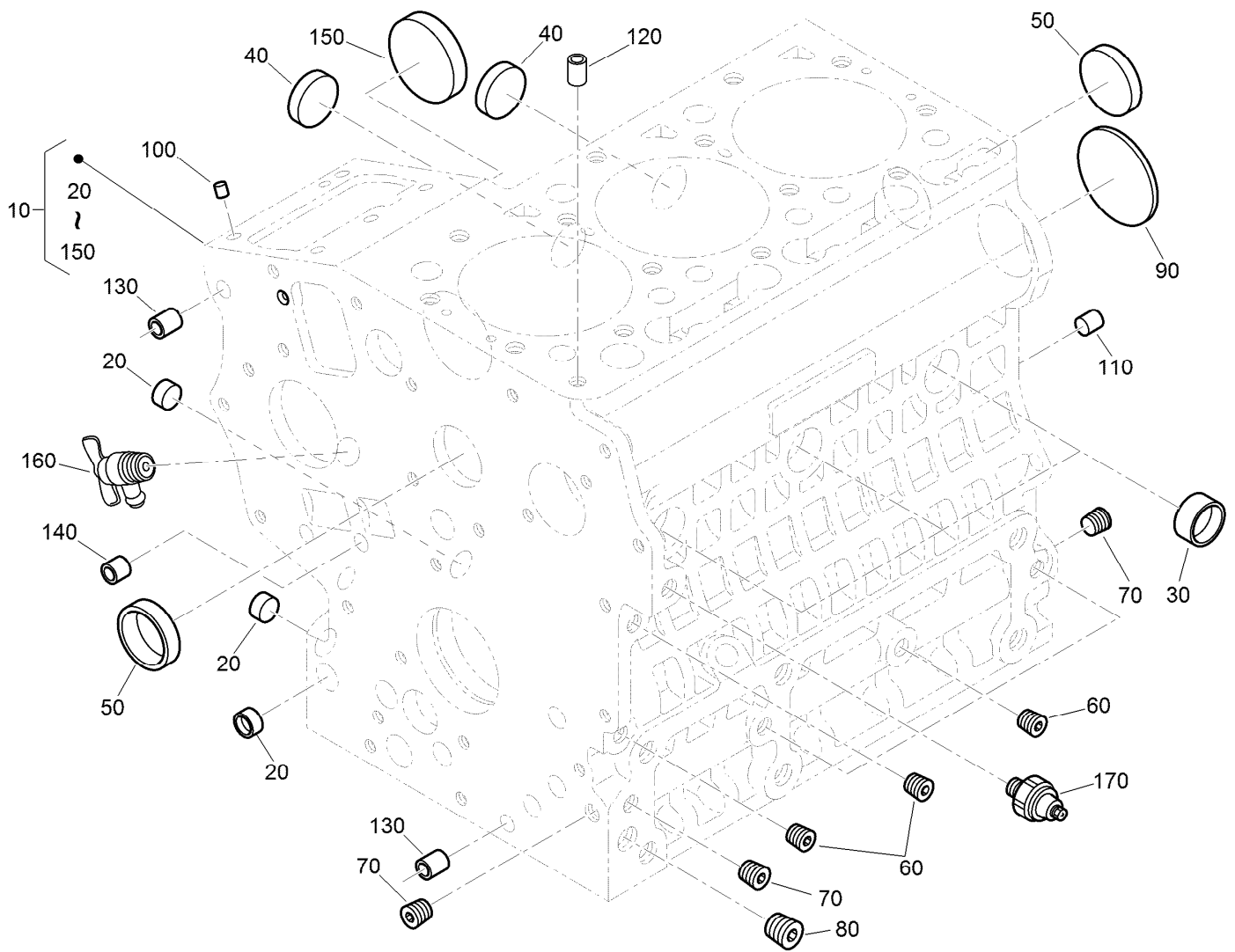
Suspension A-Arm Assembly

Ref.	Part Number	Qty.	Description	Ref.	Part Number	Qty.	Description
1	117-9480	1	Mount-Pivot, A-Arms	13	100-6116	2	Screw-HHF
2	117-6656	1	A-Arm, Lower	14	132-3838	4	Screw-HH
3	132-6959	6	Balljoint	17	133-0308	1	Bumper-Rubber
4	120-3225	6	Ring-Retaining, EXT	18	133-0315	1	Screw-Shoulder, HF
5	117-6674	1	Plate-Striker	19	161-4706	4	Nut-Flange,Nylock
6	3269-28	2	Rivet-Pop	20	120-3216	1	Steering Head ASM
7	117-6755	1	Stop-Steering	20:2	125-5239	4	Bushing-Flange
8	114-7728	5	Screw-HHF, Patch	20:3	131-1836	1	Grommet
9	112-5647	6	Clamp	23	140-5232	1	C-Balance Mount
10	132-3837	8	Screw-HHF	24	114-9306	3	Spring
11	139-6452	1	A-Arm, Upper	25	140-5234	1	Tensioner
12	139-8407	1	Plate-Lift	28	104-7201	1	Nut-HF, NI



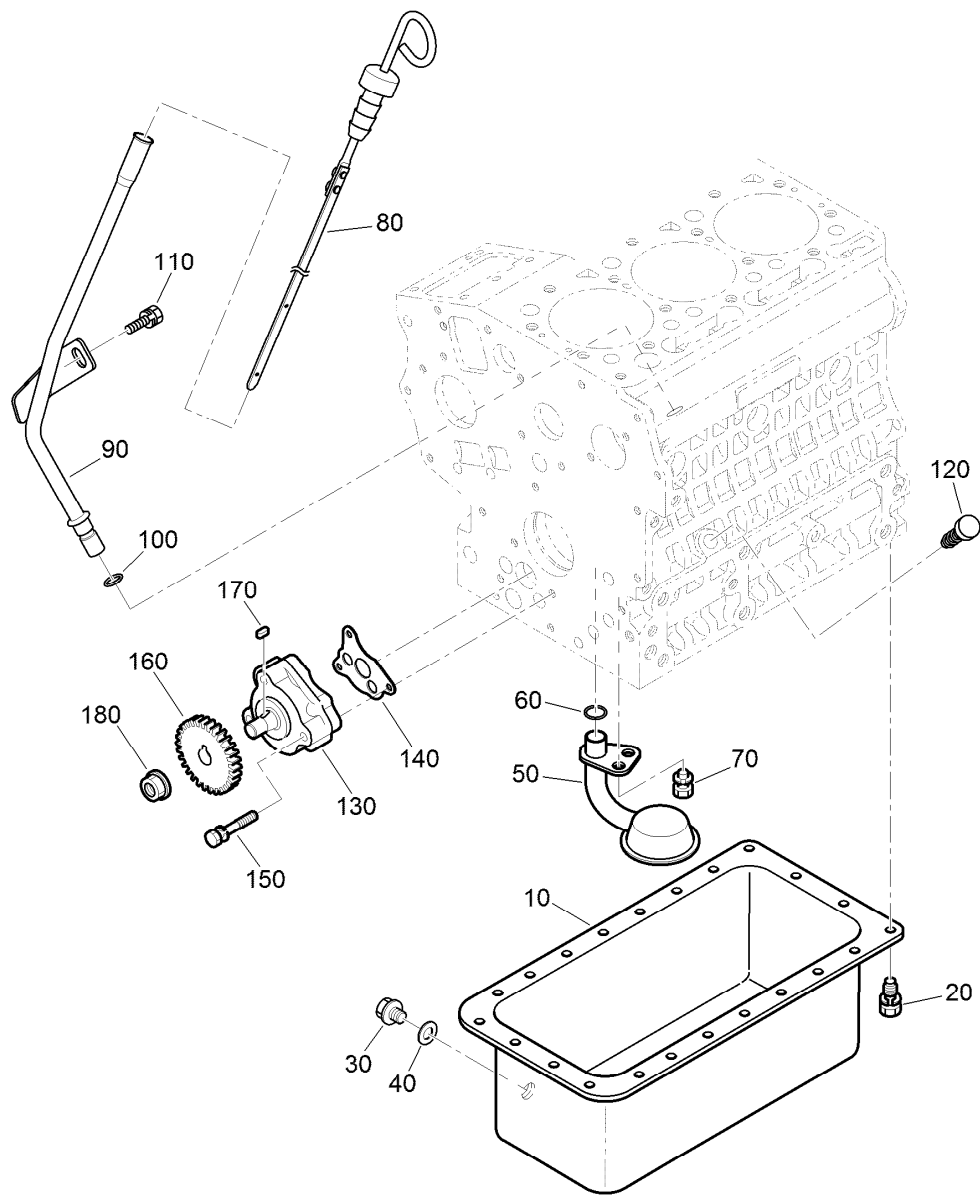
Suspension Crossarm Assembly

Ref.	Part Number	Qty.	Description
1	120-3217	1	Crossarm
2	125-5239	4	Bushing-Flange
3	117-6654	4	Link
4	3296-59	4	Nut-Lock, NI
5	117-9482	1	Mount-Cross Arm, LH
6	117-9492	1	Mount-Cross Arm, RH
7	114-8051	2	Pin-Pivot
8	161-4736	2	Clamp-Crossarm
8:1	114-8047	1	Lever
8:2	114-8048	1	Spring
8:3	114-8049	1	Pin-Pivot
11	120-3227	8	Screw-HSH
12	120-2784-01	2	Horn-Basket
13	114-7728	4	Screw-HHF, Patch



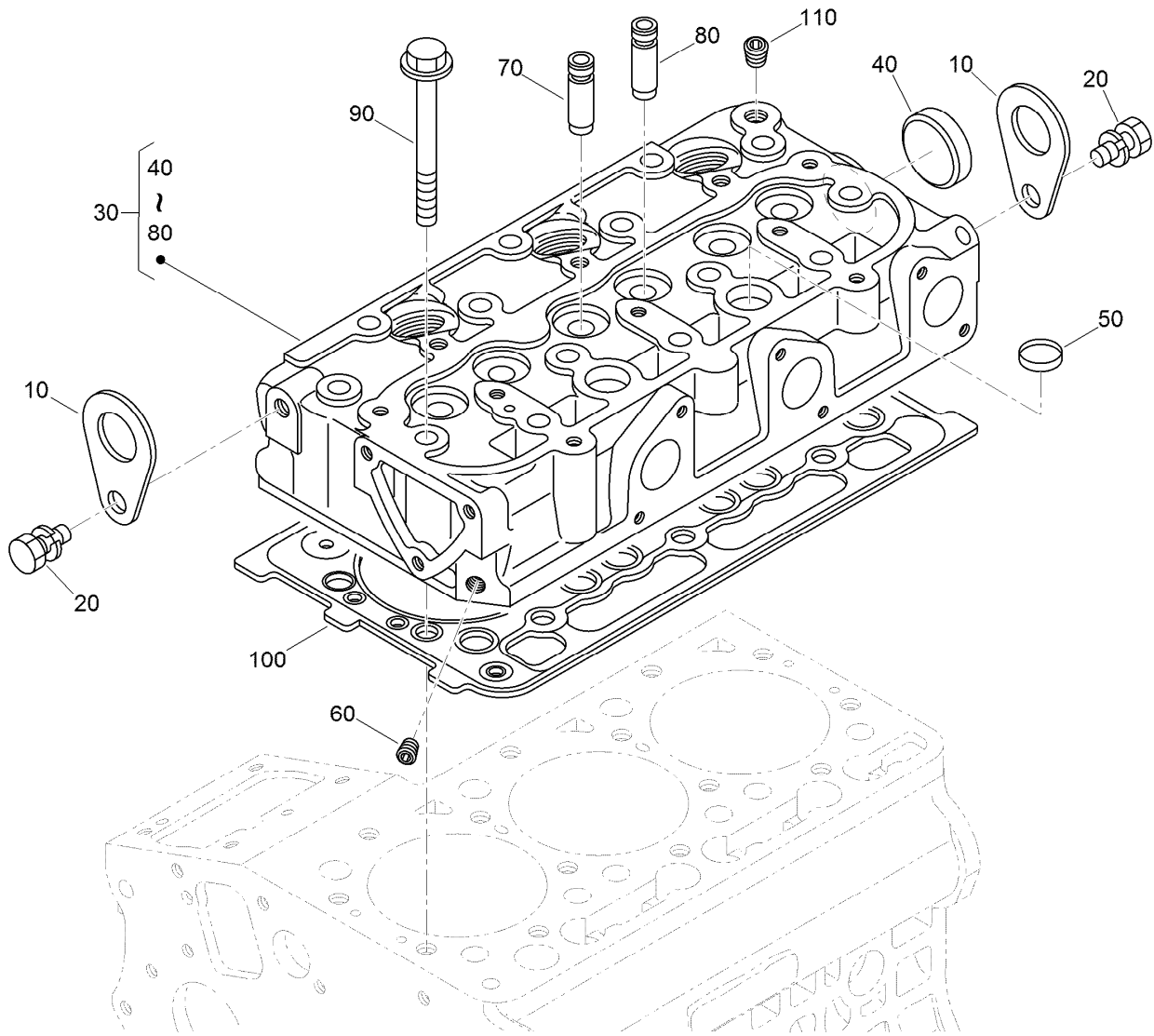
Crankcase Assembly

<i>Ref.</i>	<i>Part Number</i>	<i>Qty.</i>	<i>Description</i>	<i>Ref.</i>	<i>Part Number</i>	<i>Qty.</i>	<i>Description</i>
10	130-1486	1	Crankcase ASM	100	98-9375	2	Pin-Straight
20	100-2019	3	Cap-Sealing	110	98-9377	2	Pin-Straight
30	100-2020	3	Cap-Sealing	120	98-7506	1	Pin-Pipe
40	110-3702	2	Cap-Sealing	130	100-2051	2	Pin-Pipe
50	98-9398	2	Cap-Sealing	140	100-2051	2	Pin-Pipe
60	98-9687	5	Plug	150	100-1991	1	Cover-Fuel, Camshaft
70	98-7487	3	Plug	160	120-3121	1	Draincock ASM
80	98-7488	1	Plug	170	98-7764	1	Switch-Oil
90	100-1851	1	Plug-Expansion				



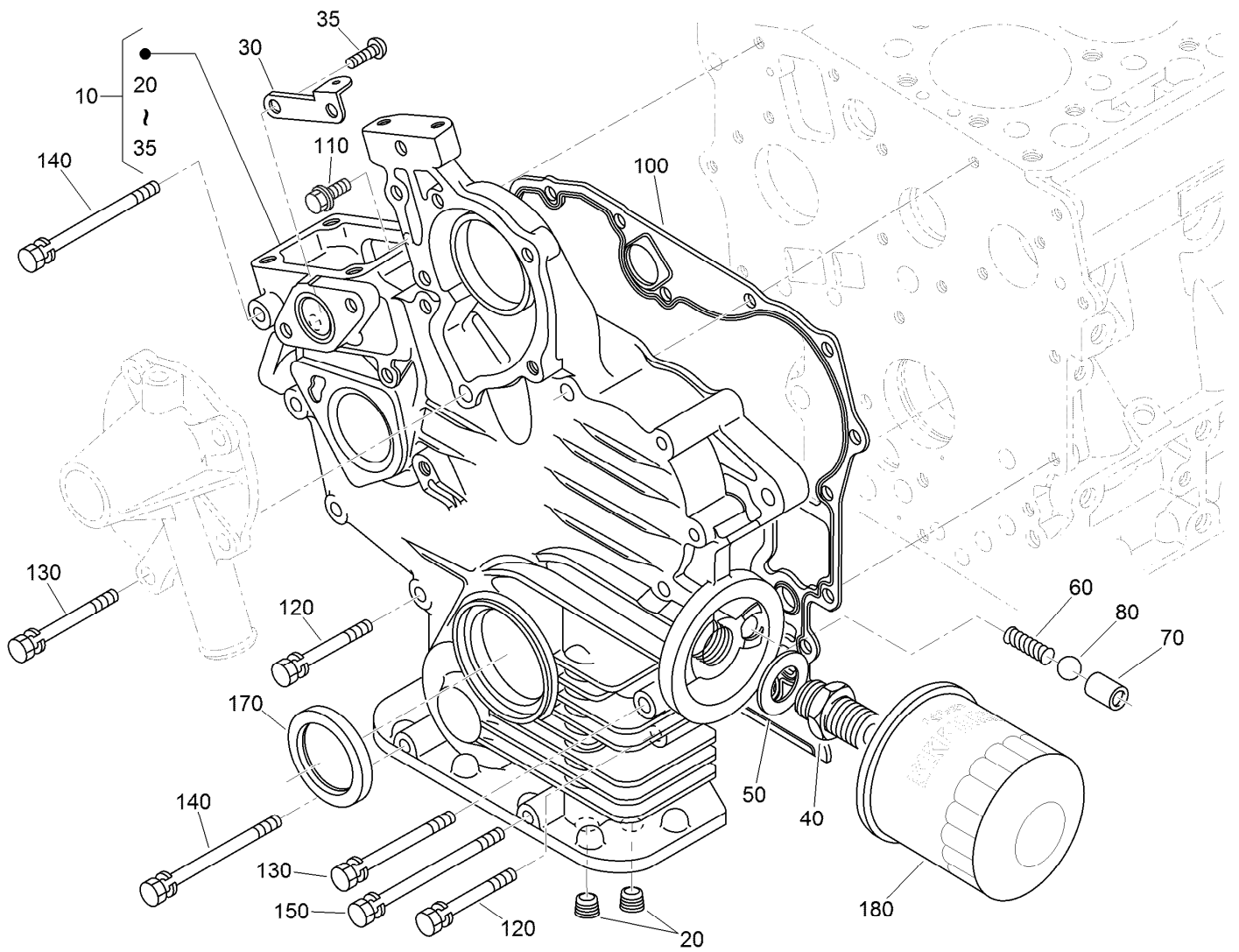
Oil Pan, Oil Pump and Dipstick Assembly

<i>Ref.</i>	<i>Part Number</i>	<i>Qty.</i>	<i>Description</i>	<i>Ref.</i>	<i>Part Number</i>	<i>Qty.</i>	<i>Description</i>
10	120-3122	1	Oil Pan ASM	100	98-9722	1	O-Ring
20	98-9350	22	Bolt	110	115-8504	1	Bolt-Flange
30	114-8151	1	Plug-Drain	120	110-3720	1	Plug-Gauge, Oil
40	98-7524	1	Gasket	130	100-2002	1	Oil Pump ASM
50	100-2001	1	Strainer-Pickup, Oil	140	100-2003	1	Gasket-Pump, Oil
60	105-3776	1	O-Ring	150	100-1923	3	Bolt
70	100-9195	1	Bolt	160	130-1419	1	Gear-Drive, Oil Pump
80	120-3124	1	Gauge-Oil	170	98-7658	1	Key-Feather
90	120-3125	1	Guide-Gauge, Oil	180	100-1779	1	Nut-Flange



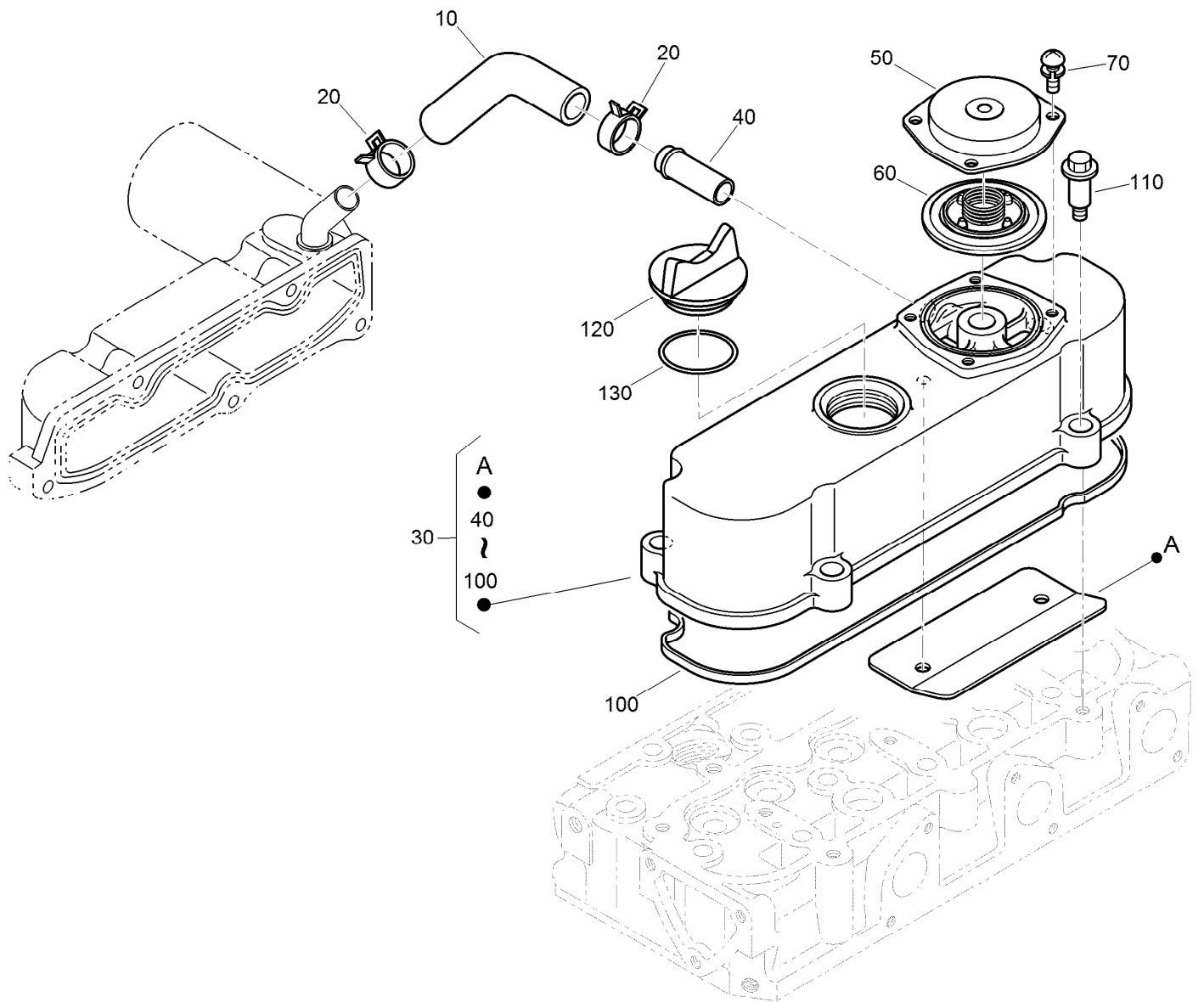
Cylinder Head Assembly

<i>Ref.</i>	<i>Part Number</i>	<i>Qty.</i>	<i>Description</i>
10	98-7531	2	Hook-Engine
20	98-7526	2	Bolt
30	130-1504	1	Cylinder Head ASM
40	105-3705	1	Cap-Sealing
50	98-9389	2	Cap-Sealing
60	98-9687	1	Plug
70	100-1882	3	Guide-Valve, Inlet
80	100-1883	3	Guide-Valve, Exhaust
90	100-1820	14	Bolt-Head, Cylinder
100	112-2520	1	Gasket-Head, Cylinder
110	98-9444	1	Plug



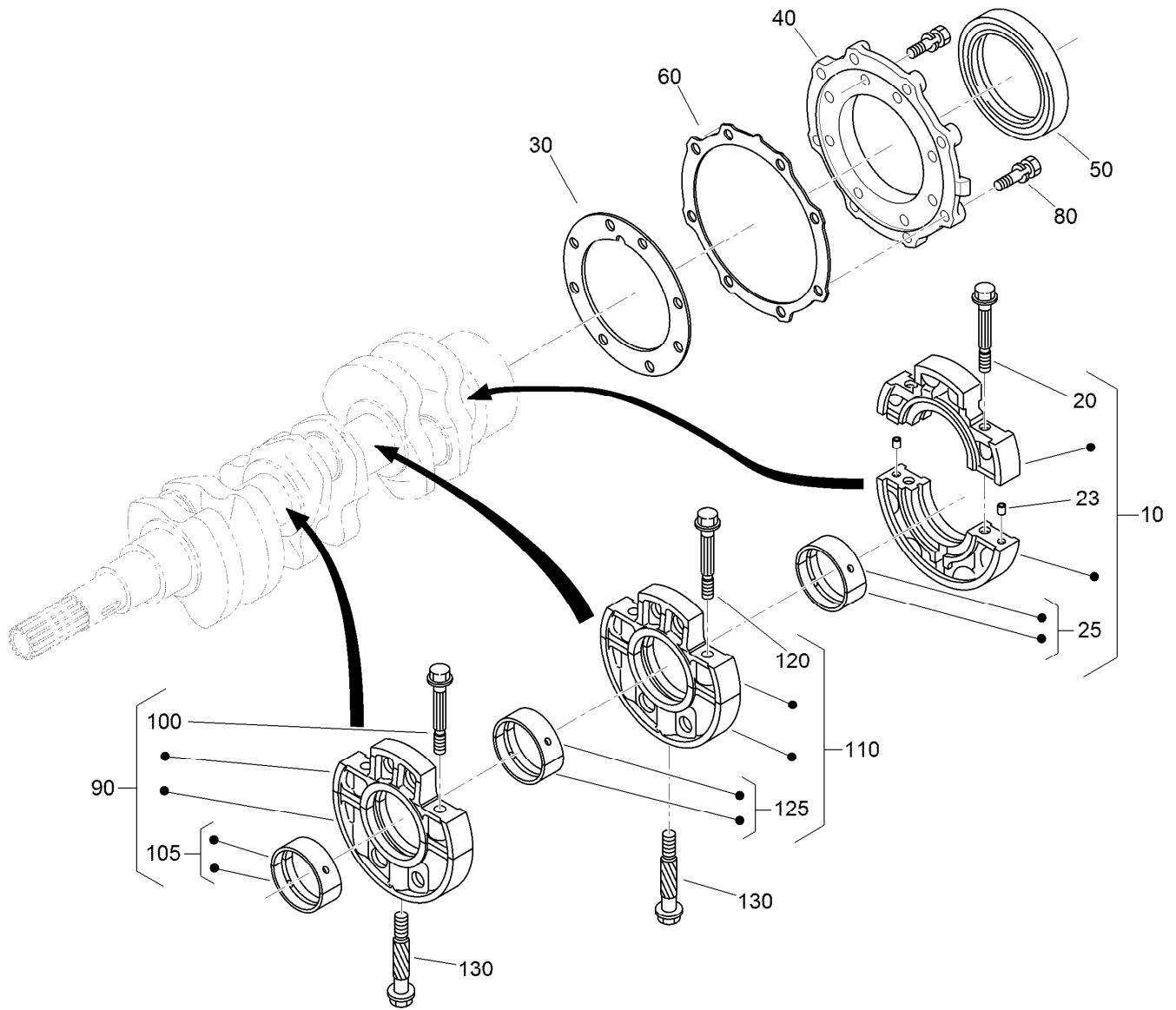
Gear Case and Oil Filter Cartridge Assembly

<i>Ref.</i>	<i>Part Number</i>	<i>Qty.</i>	<i>Description</i>	<i>Ref.</i>	<i>Part Number</i>	<i>Qty.</i>	<i>Description</i>
10	120-3138	1	Gear Case ASM	100	117-0327	1	Gasket-Case, Gear
20	98-7488	2	Plug	110	127-0403	1	Bolt-Flange
30	110-3708	1	Stay-Spring, Start	120	125-9063	9	Bolt-Sems
35	100-2040	2	Screw	130	100-1922	2	Bolt
40	98-9388	1	Joint-Pipe	140	98-9357	2	Bolt
50	100-1926	1	Washer-Plain	150	110-3710	1	Bolt
60	100-2004	1	Spring	170	120-7852	1	Seal-Oil
70	100-1894	1	Seat-Valve	180	115-8189	1	Filter-Oil, Engine
80	100-1792	1	Ball				



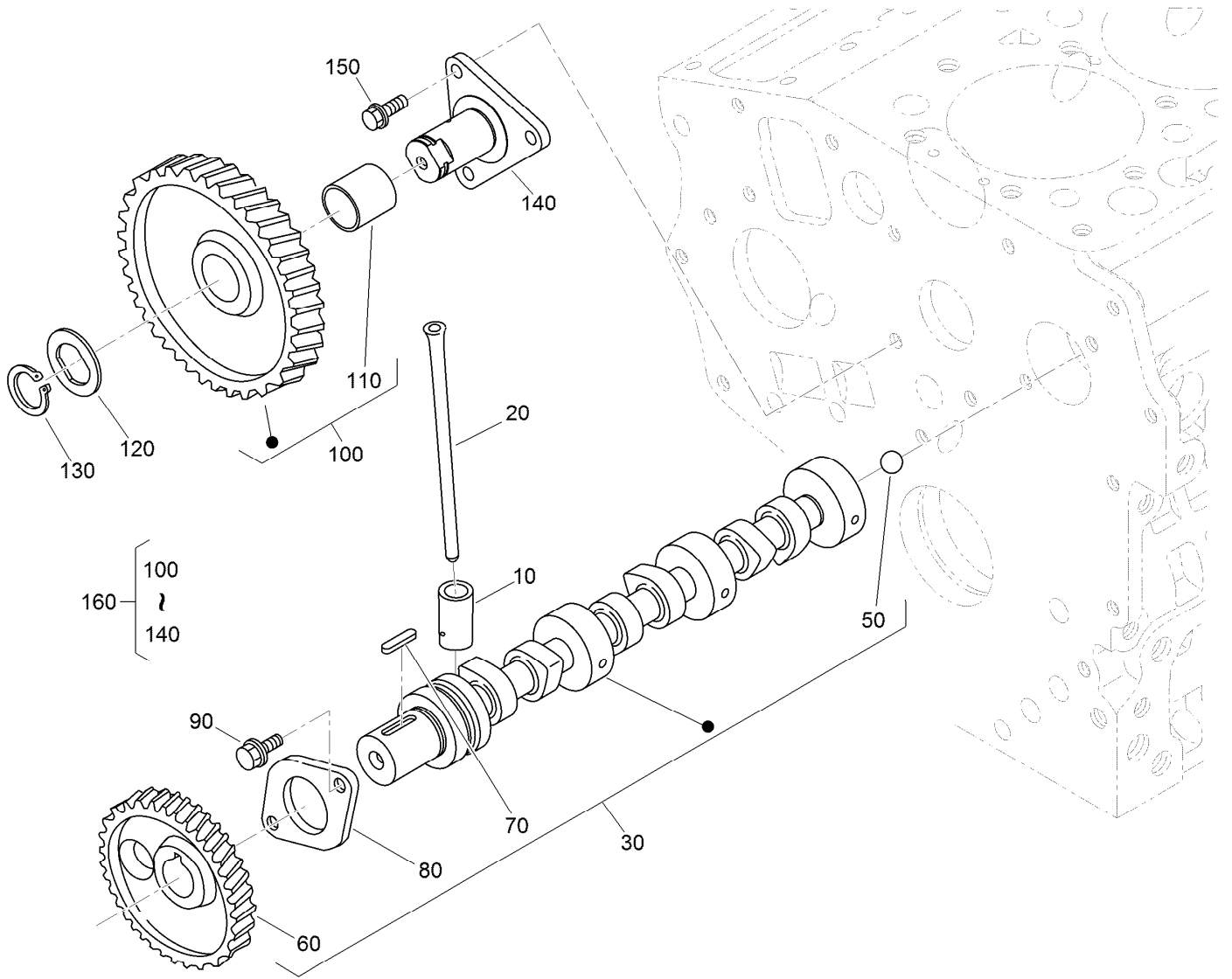
Cylinder Head Cover Assembly

Ref.	Part Number	Qty.	Description
10	120-3139	1	Tube-Breather
20	110-3712	2	Clamp-Hose
30	112-8332	1	Cylinder Head Cover ASM
40	98-9580	1	Pipe-Return, Water
50	110-3714	1	Cover-Breather
60	110-3715	1	Valve-Breather
70	98-9364	4	Screw (With Washer)
100	112-2521	1	Gasket-Cover, Head
110	108-7063	4	Bolt
120	107-9075	1	Plug-Filler, Oil
130	99-3446	1	O-Ring



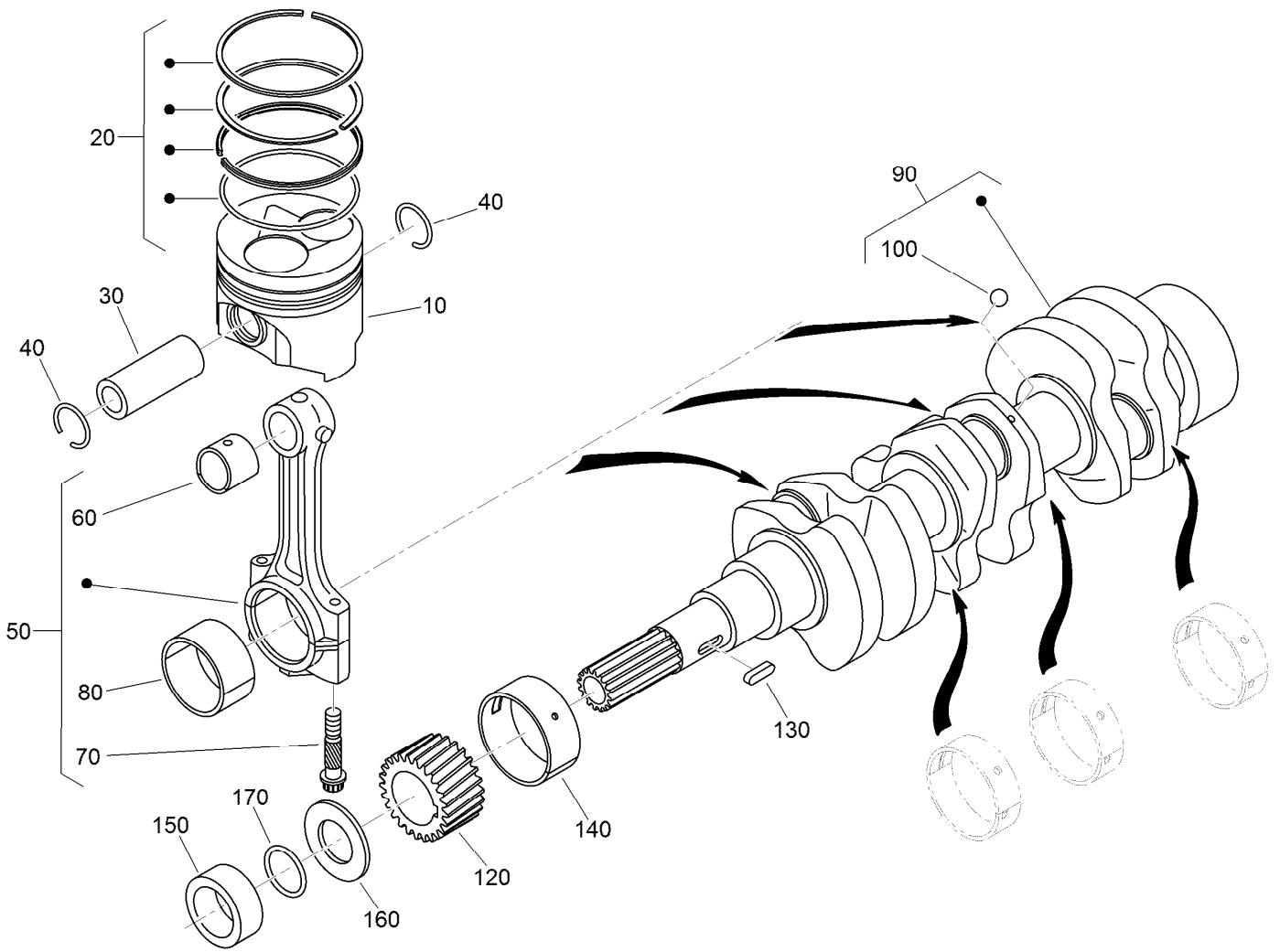
Main Bearing Case Assembly

<i>Ref.</i>	<i>Part Number</i>	<i>Qty.</i>	<i>Description</i>	<i>Ref.</i>	<i>Part Number</i>	<i>Qty.</i>	<i>Description</i>
10	125-9064	1	Wheel Bearing Case ASM	105	110-3741	1	Crankshaft Metal ASM (STD)
20	125-9065	2	Bolt-Flange	105	125-9083	1	Crankshaft Metal ASM (-0.20Mm)
23	125-9082	2	Pin-Straight	105	110-3743	1	Crankshaft Metal ASM (-0.40Mm)
25	125-9066	1	Crankshaft Metal ASM (STD)	110	125-9069	1	Main Case Bearing ASM
25	125-9067	1	Crankshaft Metal ASM (-0.20Mm)	120	110-3723	2	Bolt-Case, Bearing
25	125-9068	1	Crankshaft Metal ASM (-0.40Mm)	125	110-3741	1	Crankshaft Metal ASM (STD)
30	100-1873	1	Gasket-Case, Bearing	125	125-9083	1	Crankshaft Metal ASM (-0.20Mm)
40	112-8334	1	Cover-Case, Bearing	125	110-3743	1	Crankshaft Metal ASM (-0.40Mm)
50	110-3724	1	Seal-Oil	130	100-1874	2	Bolt-Case, Bearing
60	100-1876	1	Gasket-Cover, Case				
80	100-1750	16	Bolt				
90	110-3725	1	Main Bearing Case ASM				
100	110-3723	2	Bolt-Case, Bearing				



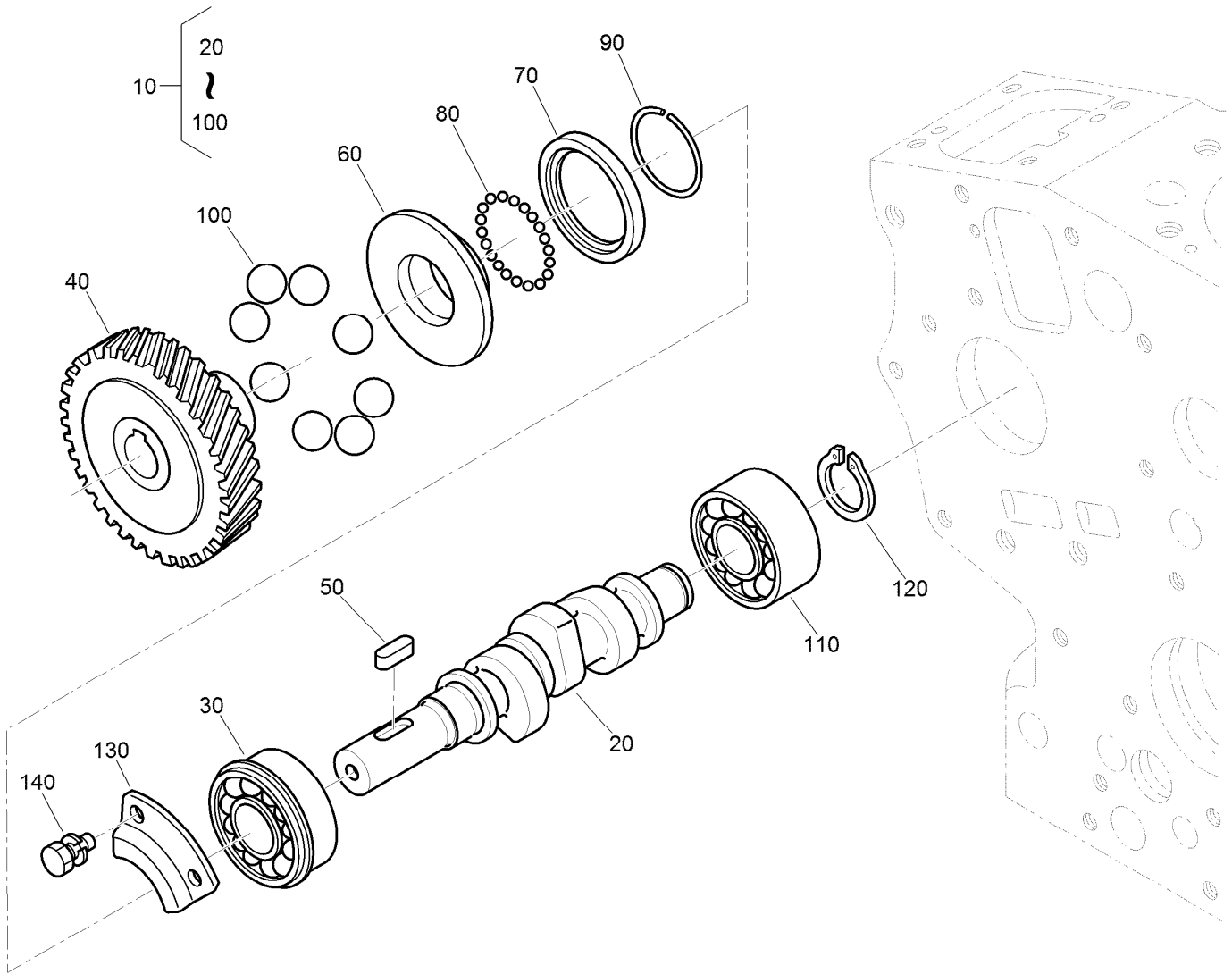
Camshaft and Idle Gear Shaft Assembly

Ref.	Part Number	Qty.	Description
10	110-3727	6	Tappet
20	100-1989	6	Rod-Push
30	120-3126	1	Camshaft ASM
50	110-3729	1	Ball
60	130-1534	1	Gear-Cam
70	98-9378	1	Key-Feather
80	100-1887	1	Stopper-Camshaft
90	98-9350	2	Bolt
100	121-2421	1	Idle Gear ASM
110	121-2422	1	Bushing
120	100-1970	1	Collar-Gear, Idle
130	100-1969	1	Ring-Snap
140	100-1967	1	Shaft-Gear, Idle
150	100-1774	3	Bolt-Flange
160	100-2240	1	Idle Gear ASM



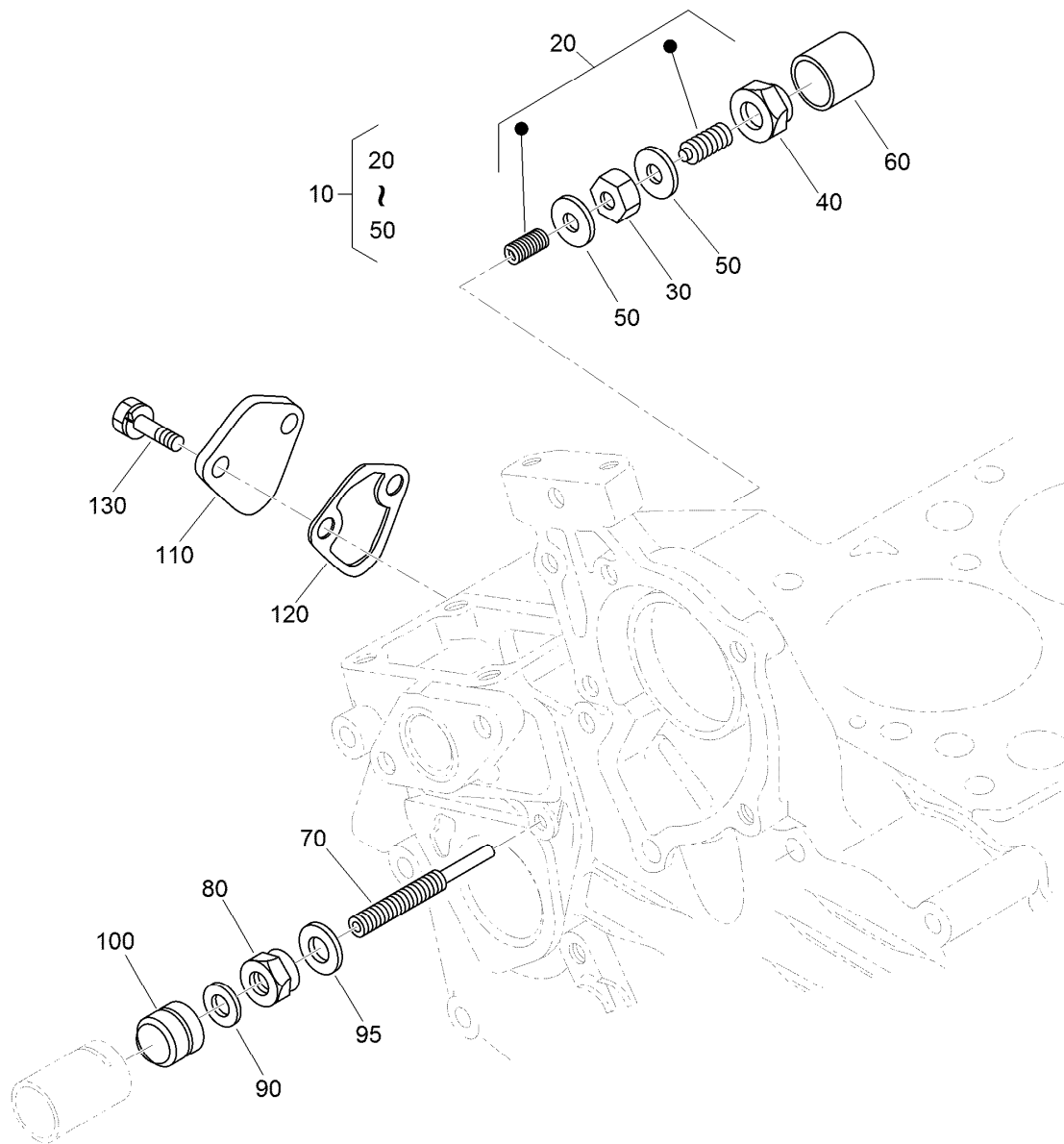
Piston and Crankshaft Assembly

Ref.	Part Number	Qty.	Description	Ref.	Part Number	Qty.	Description
10	130-1518	3	Piston	80	121-2420	3	Metal-Crankpin (-.40MM)
10	130-1520	3	Piston	90	117-0308	1	Crankshaft
20	130-1516	3	Piston Ring ASM	100	100-1791	3	Ball
20	130-1517	3	Piston Ring ASM	120	100-1891	1	Gear-Crankshaft
30	110-3734	3	Pin-Piston	130	100-1752	1	Key-Feather
40	100-1835	6	Circlip-Internal	140	110-3738	1	Metal-Crankshaft (STD)
50	125-9070	3	Connecting Rod ASM	140	121-2424	1	Metal-Crankshaft (-.20MM)
60	110-3736	3	Bushing-Pin, Piston	140	121-2425	1	Metal-Crankshaft (-.40MM)
70	100-1999	6	Bolt-Rod, Connecting	150	100-1890	1	Collar-Crankshaft
80	100-2000	3	Metal-Crankpin (STD)	160	100-1974	1	Slinger-Oil
80	121-3849	3	Metal-Crankpin (-.20MM)	170	100-2209	1	O-Ring



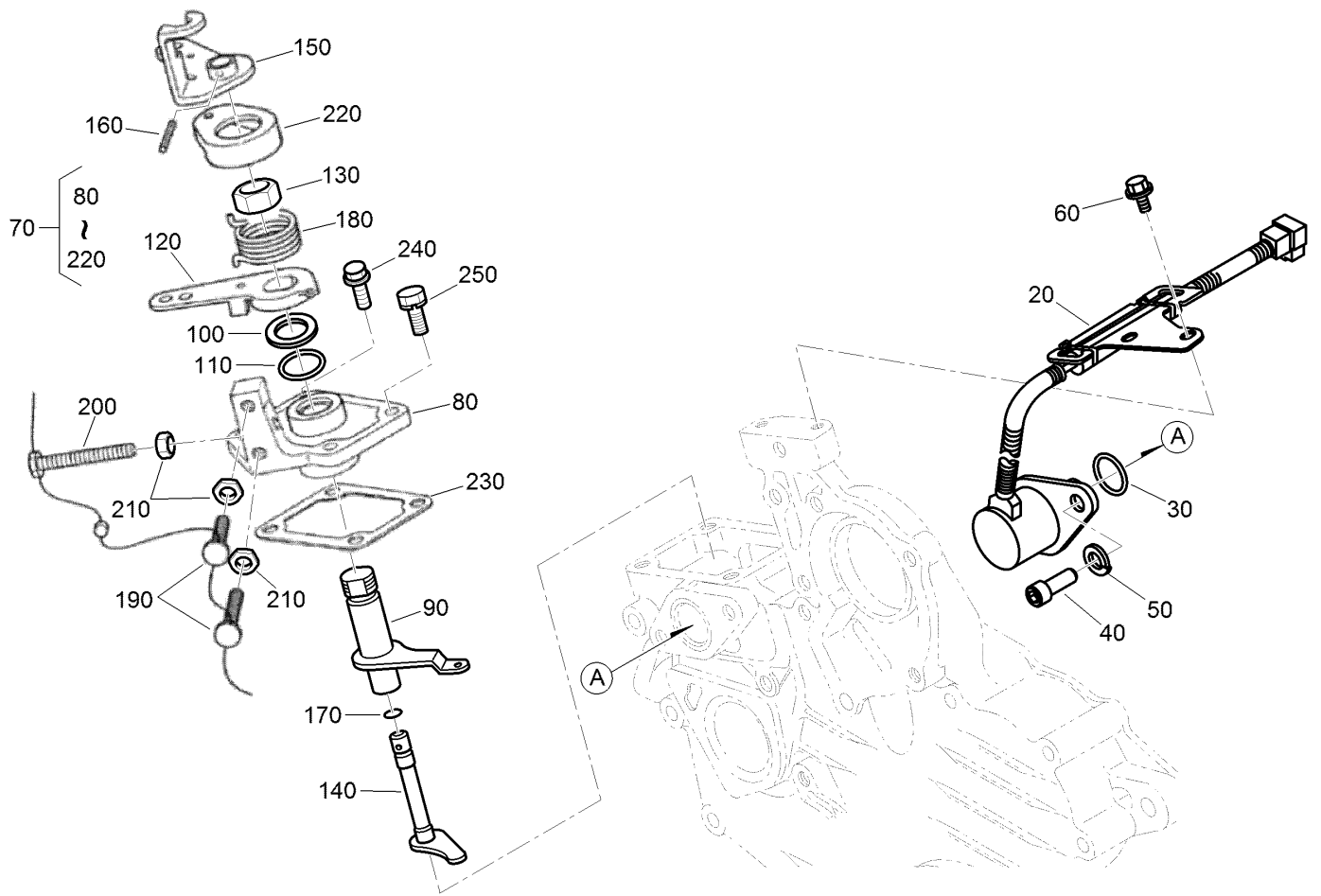
Fuel Camshaft Assembly

Ref.	Part Number	Qty.	Description
10	112-8335	1	Fuel Camshaft ASM
20	110-3756	1	Camshaft-Fuel
30	100-1795	1	Bearing-Ball
40	100-2006	1	Gear-Pump, Injection
50	100-1752	1	Key-Feather
60	112-8336	1	Sleeve-Governor
70	100-1904	1	Case-Ball, Governor
80	100-1790	32	Ball
90	100-1843	1	Circ-Clip
100	100-1793	8	Ball
110	110-3757	1	Bearing-Ball
120	100-1784	1	Circ-Clip, External
130	100-1888	1	Stopper-Fuel, Camshaft
140	98-9350	2	Bolt



Idle Apparatus and Fuel Pump Cover Assembly

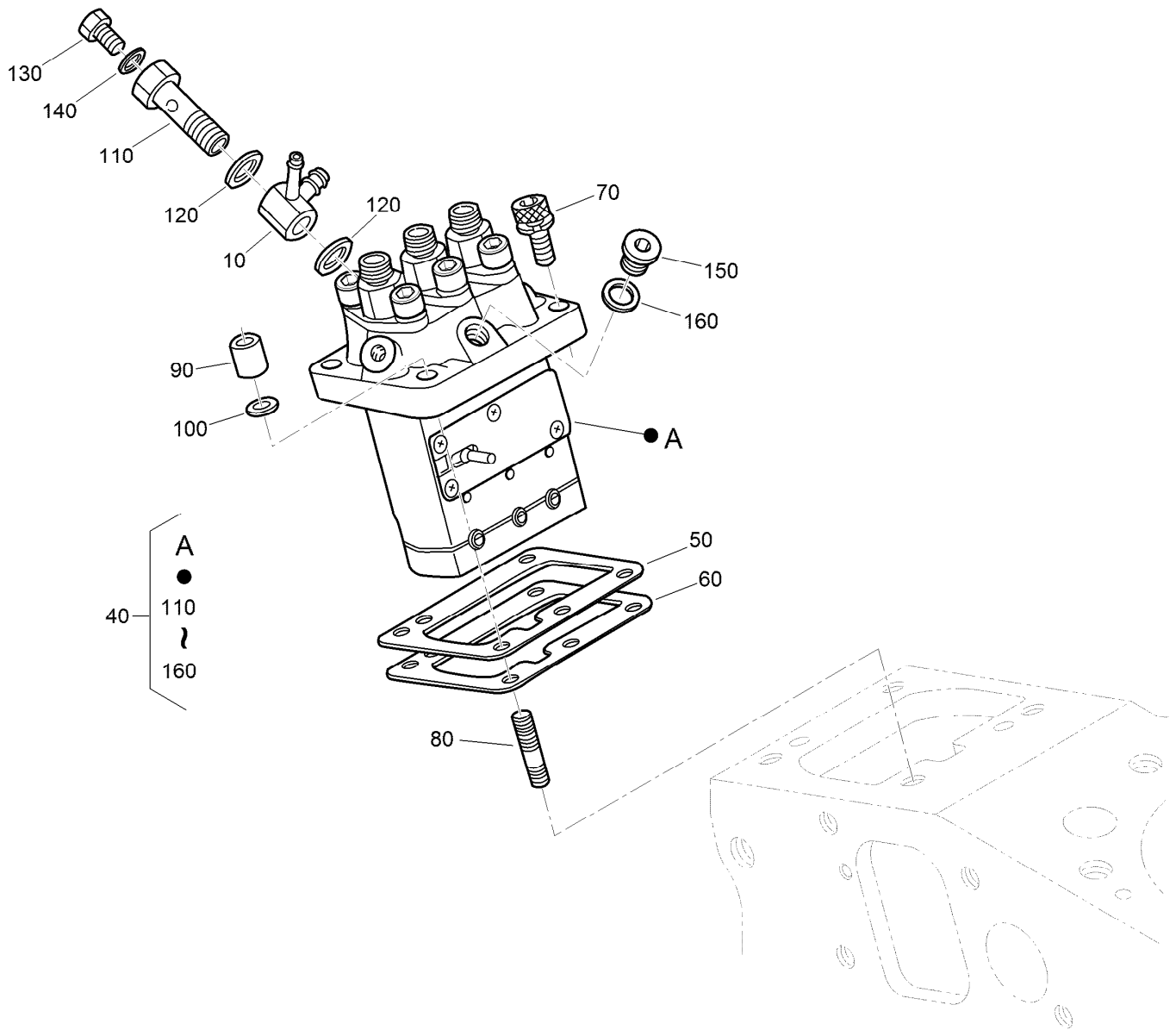
Ref.	Part Number	Qty.	Description
10	100-1898	1	Idle Apparatus ASM
20	100-1899	1	Adjusting Bolt ASM
30	100-1846	1	Nut
40	100-1901	1	Nut-Cap
50	98-7428	2	Gasket
60	100-1902	1	Cap
70	110-3758	1	Bolt-Adjusting
80	100-2175	1	Nut-Lock
90	98-7654	1	Gasket
95	107-9081	1	Gasket
100	99-8387	1	Nut-Cap
110	99-3514	1	Cover
120	98-9636	1	Gasket-Pump, Fuel
130	98-7692	2	Bolt



Stop Solenoid and Speed Control Plate Assembly

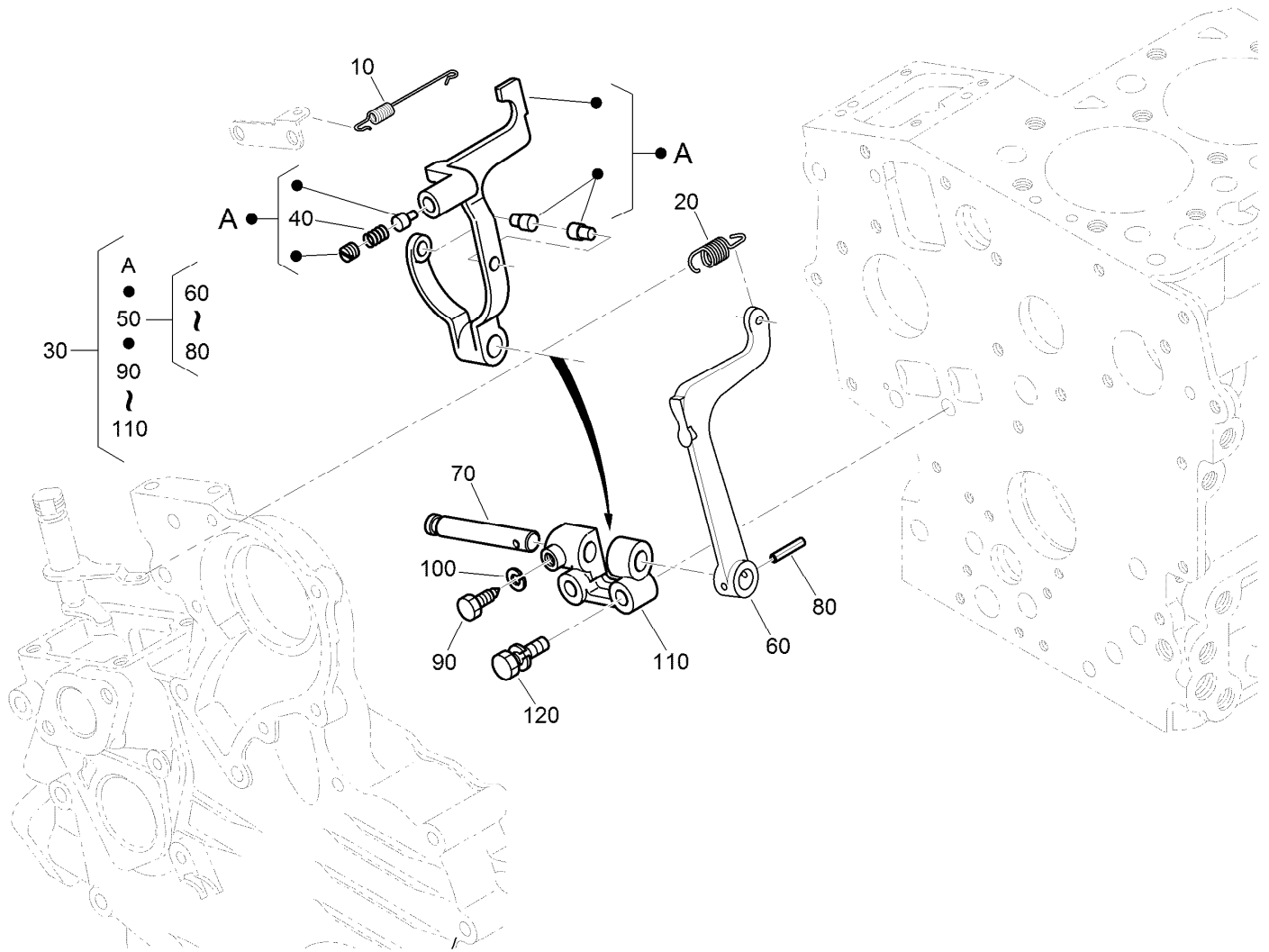
Ref.	Part Number	Qty.	Description
20	117-2719	1	Solenoid Stop ASM
30	110-3762	1	O-Ring
40	110-3763	2	Bolt-HSH
50	98-7699	2	Washer-Spring
60	100-1774	2	Bolt-Flange
70	110-3769	1	Speed Control Plate ASM
80	110-3770	1	Plate-Control, Speed
90	110-3771	1	Lever-Governor
100	110-3772	1	Collar
110	100-2208	1	O-Ring
120	110-3773	1	Lever-Control, Speed
130	110-3774	1	Nut-Control, Speed

Ref.	Part Number	Qty.	Description
140	110-3775	1	Shaft-Lever
150	110-3776	1	Lever-Stop, Engine
160	110-3777	1	Pin-Spring
170	100-2207	1	O-Ring
180	110-3778	1	Spring-Return
190	120-3133	2	Screw-Stopper
200	120-3134	1	Bolt
210	98-7572	3	Nut
220	110-3779	1	Cap
230	100-1962	1	Gasket-Plate, Control
240	127-0403	2	Bolt-Flange
250	112-2507	2	Bolt



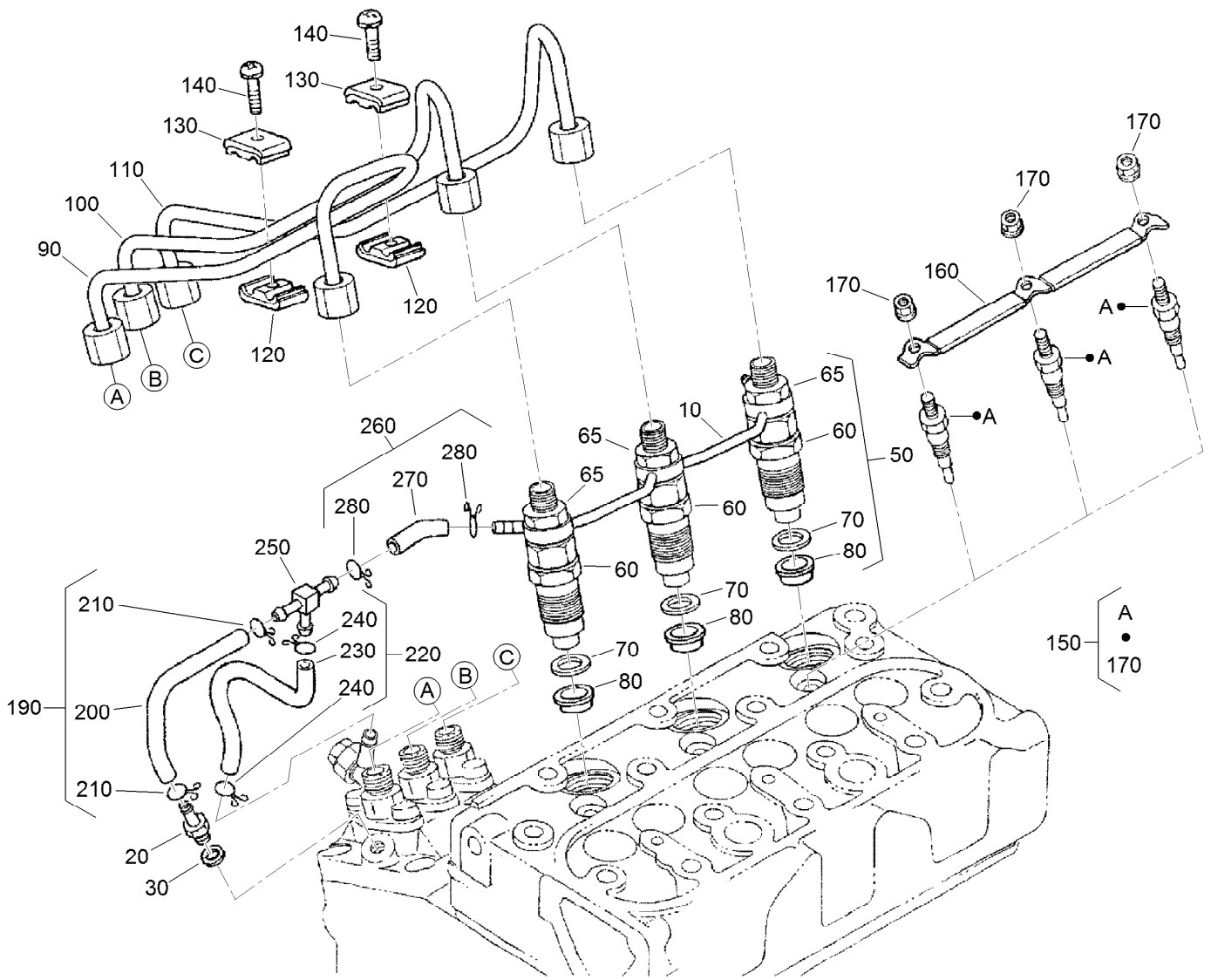
Injection Pump Assembly

<i>Ref.</i>	<i>Part Number</i>	<i>Qty.</i>	<i>Description</i>	<i>Ref.</i>	<i>Part Number</i>	<i>Qty.</i>	<i>Description</i>
10	110-3764	1	Joint	90	98-9440	2	Nut-Cap
40	110-3765	1	Injection Pump ASM	100	98-7699	2	Washer-Spring
50	115-3045	1	Shim-Injection (0.175MM)	110	100-1896	1	Screw-Hollow
50	98-9456	1	Shim-Injection (0.20MM)	120	98-9445	2	Gasket
50	98-9457	1	Shim-Injection (0.25MM)	130	98-9430	1	Screw
60	98-9458	1	Shim-Injection (0.30MM)	140	98-9446	1	Gasket
60	115-3046	1	Shim-Injection (0.35MM)	150	98-9466	1	Plug
70	117-7564	2	Bolt-Hex Soc HD	160	98-9451	1	Gasket
80	98-9438	2	Stud				



Governor Assembly

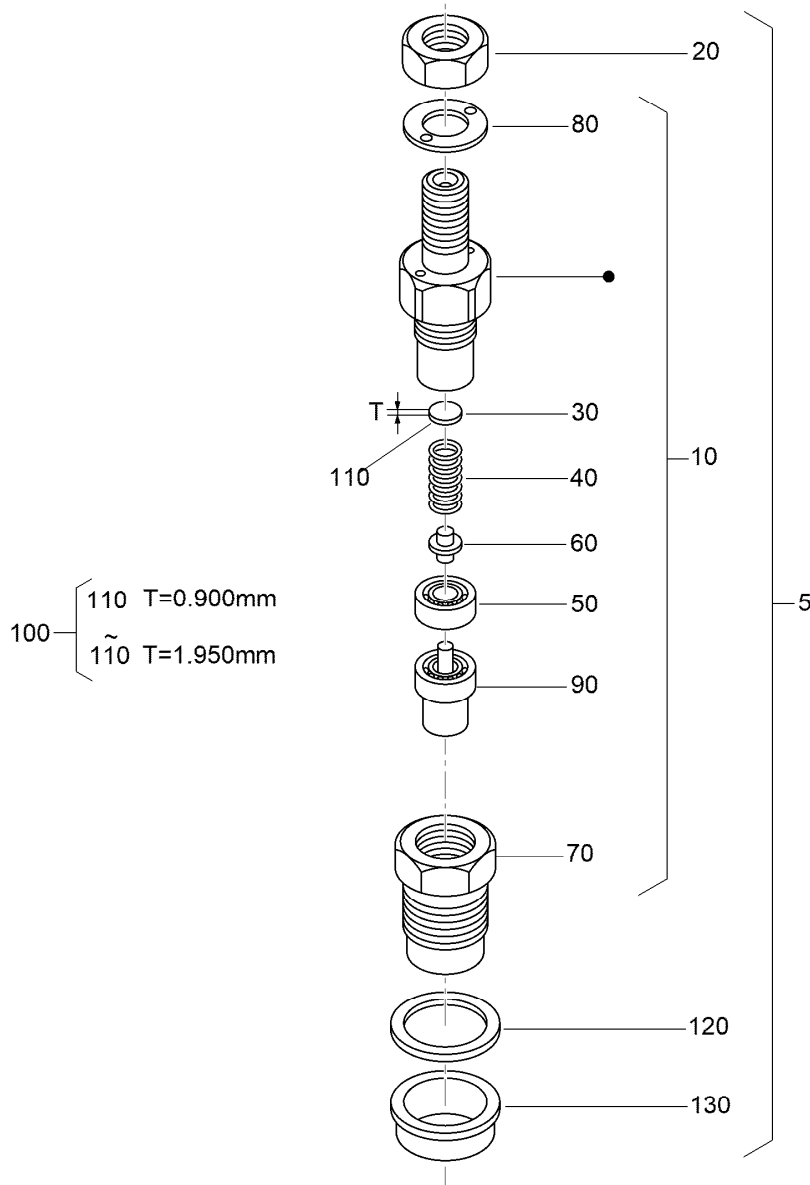
<i>Ref.</i>	<i>Part Number</i>	<i>Qty.</i>	<i>Description</i>
10	110-3766	1	Spring-Start
20	110-3767	1	Spring-Governor
30	120-3131	1	Fork Lever ASM
40	120-3132	1	Spring
50	100-1905	1	Fork Lever ASM
60	100-1907	1	Lever-Fork
70	100-1908	1	Shaft-Lever, Fork
80	100-1751	1	Pin-Spring
90	100-1845	1	Bolt
100	127-0408	1	Washer-Lock, Spring
110	100-1909	1	Holder-Lever, Fork
120	100-1763	2	Bolt



Nozzle Holder and Glow Plug Assembly

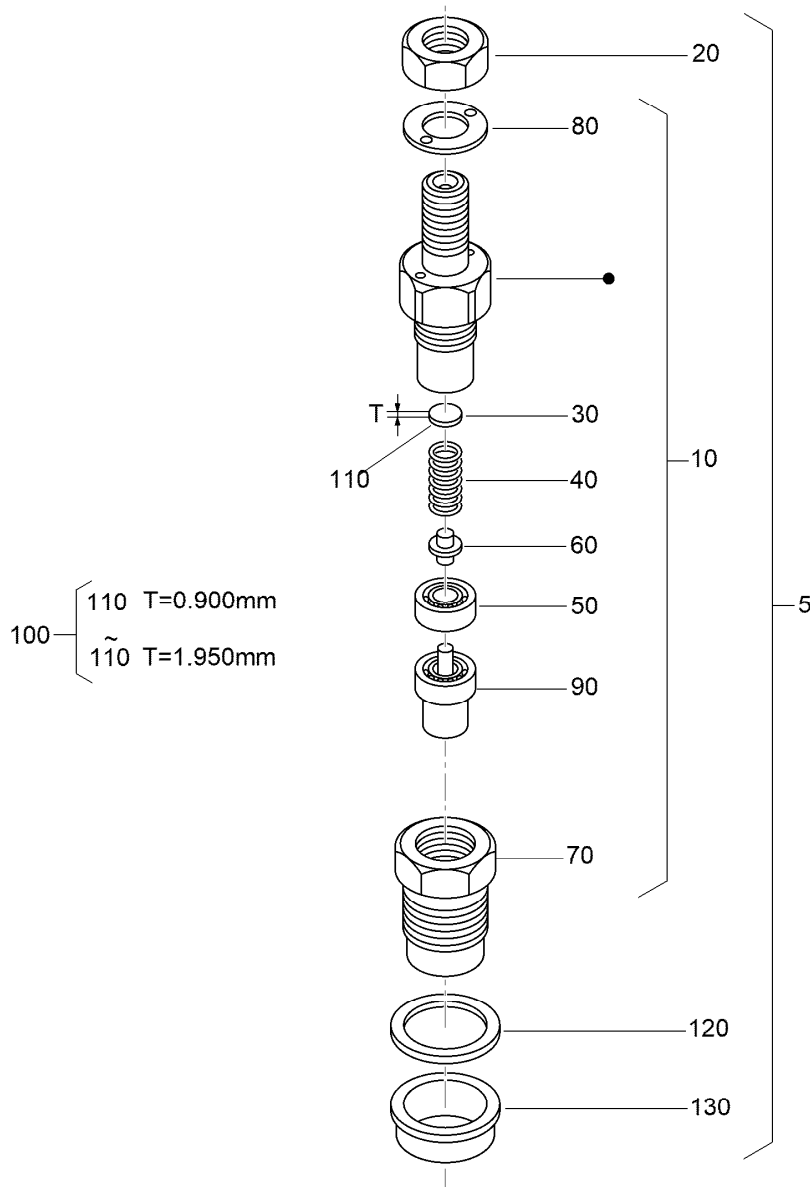
Ref.	Part Number	Qty.	Description
10	110-3780	1	Over Flow Pipe ASM
20	98-9431	1	Screw-Bleeder, Air
30	98-7654	1	Gasket
50	130-1305	3	Nozzle Holder Kit
60	130-1303	3	Nozzle Holder ASM
65	121-2411	3	Nut
70	98-7676	3	Gasket
80	98-7677	3	Seal-Heat
90	130-1522	1	Pipe-Injection
100	130-1523	1	Pipe-Injection
110	130-1541	1	Pipe-Injection
120	98-7682	2	Clamp-Pipe
130	98-7683	2	Clamp-Pipe
140	98-7684	2	Screw (W/Washer)

Ref.	Part Number	Qty.	Description
150	130-1411	3	Plug-Glow
160	110-3784	1	Cord-Plug, Glow
170	99-8377	3	Nut-Flange
190	110-3785	1	Fuel Tube ASM
200	110-3786	1	Tube-Fuel
210	98-7671	2	Clip-Pipe
220	110-3787	1	Fuel Tube ASM
230	110-3788	1	Tube-Fuel
240	98-7671	2	Clip-Pipe
250	112-8338	1	Pipe-Joint, T
260	110-3790	1	Fuel Tube ASM
270	110-3791	1	Tube-Fuel
280	98-7671	2	Clip-Pipe



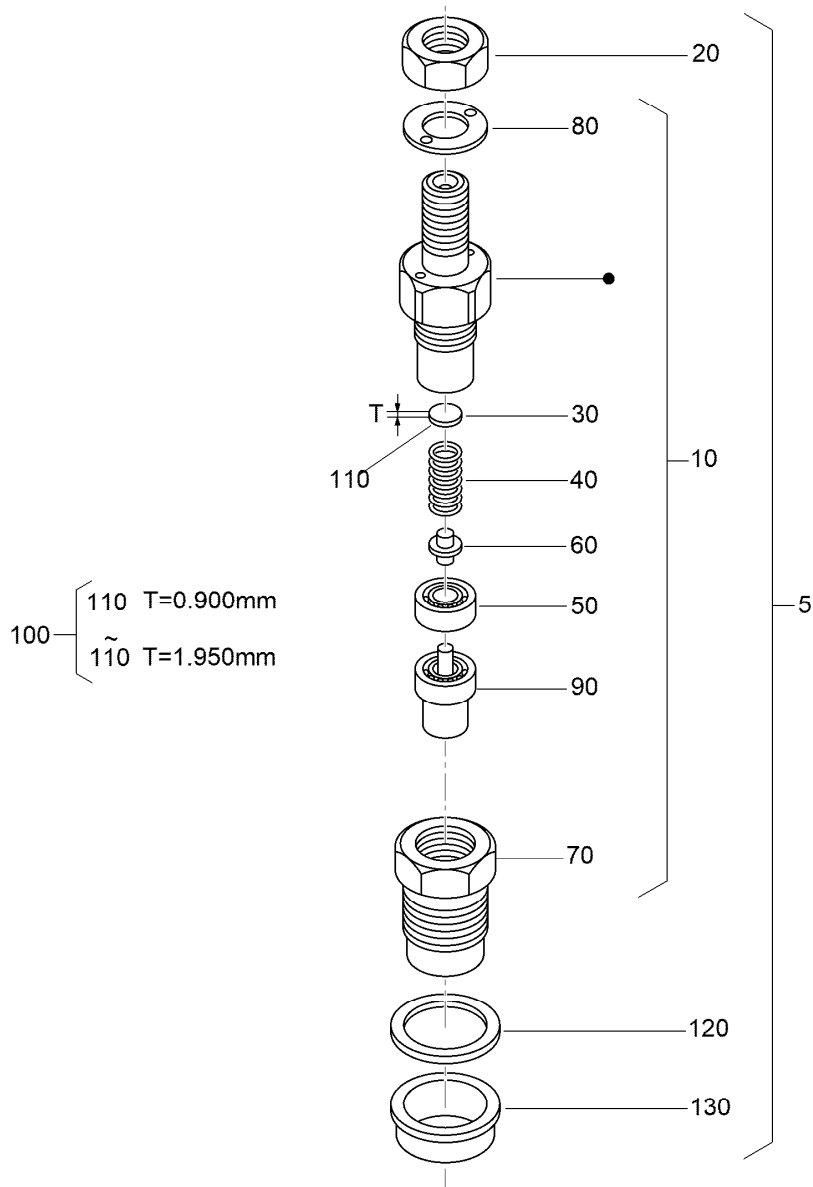
Nozzle Holder Assembly

Ref.	Part Number	Qty.	Description	Ref.	Part Number	Qty.	Description
5	130-1305	3	Nozzle Holder Kit	110	98-7845	3	Washer-Adjusting (1.025Mm)
10	130-1303	3	Nozzle Holder ASM	110	98-7846	3	Washer-Adjusting (1.050Mm)
20	121-2411	3	Nut	110	98-7847	3	Washer-Adjusting (1.075MM)
30	99-8302	3	Washer-Adjusting	110	98-7848	3	Washer-Adjusting (1.100MM)
40	99-8303	3	Spring-Nozzle	110	98-7849	3	Washer-Adjusting (1.125MM)
50	99-8304	3	Spacer-Distance	110	98-7850	3	Washer-Adjusting (1.150MM)
60	99-8305	3	Rod-Push	110	98-7851	3	Washer-Adjusting (1.175MM)
70	130-1304	3	Nut-Nozzle	110	98-7852	3	Washer-Adjusting (1.200MM)
80	99-8307	3	Washer-Plain	110	98-7853	3	Washer-Adjusting (1.225MM)
90	130-1497	3	Nozzle-Piece	110	98-7854	3	Washer-Adjusting (1.250MM)
100	98-9448	3	Adjusting Washer ASM				
110	98-7642	3	Washer-Adjusting (0.900Mm)				
110	98-7841	3	Washer-Adjusting (0.925Mm)				
110	98-7842	3	Washer-Adjusting (0.950Mm)				
110	98-7843	3	Washer-Adjusting (0.975Mm)				
110	98-7844	3	Washer-Adjusting (1.000Mm)				



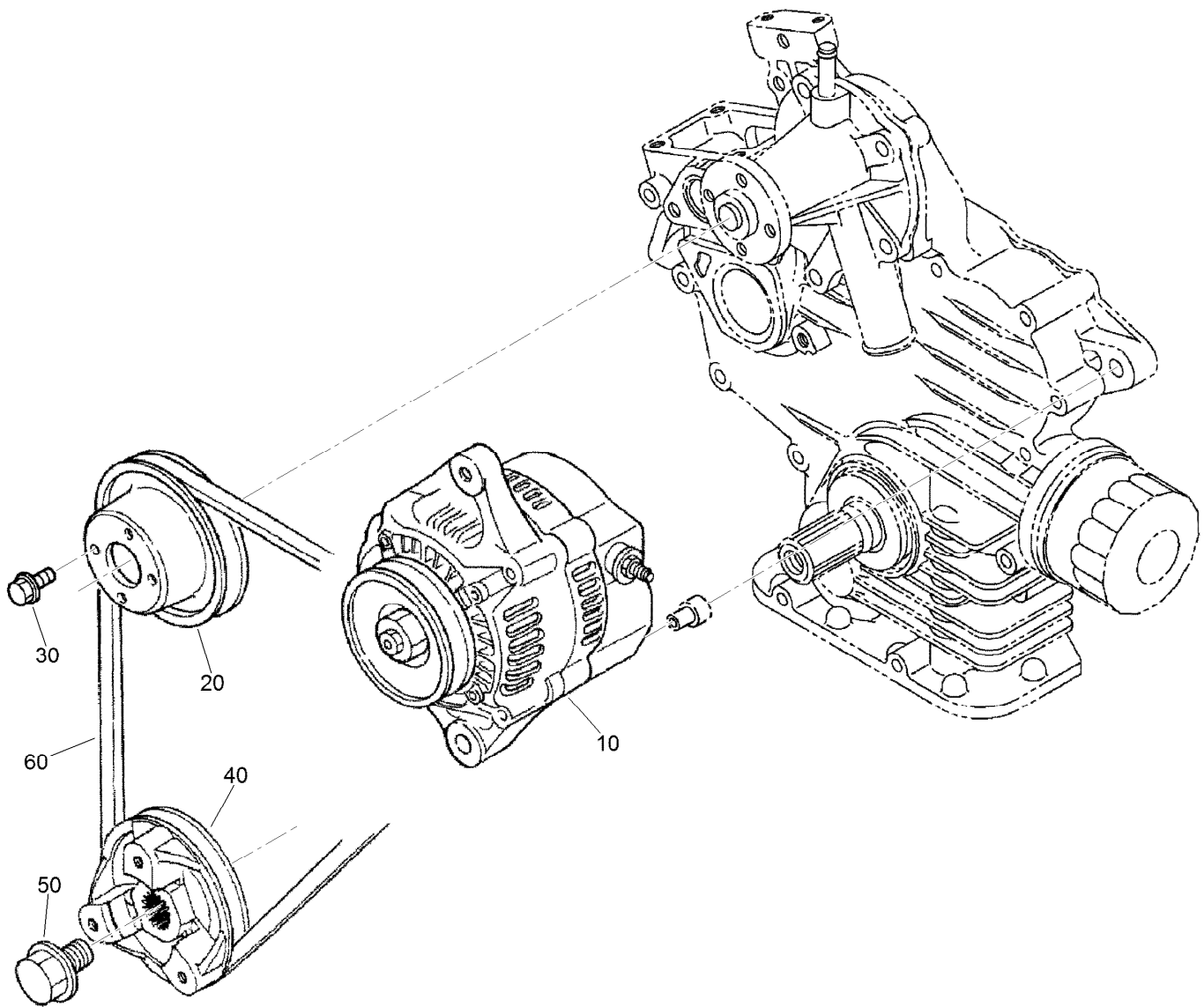
Nozzle Holder Assembly (continued)

<i>Ref.</i>	<i>Part Number</i>	<i>Qty.</i>	<i>Description</i>	<i>Ref.</i>	<i>Part Number</i>	<i>Qty.</i>	<i>Description</i>
110	98-7855	3	Washer-Adjusting (1.275MM)	110	98-7865	3	Washer-Adjusting (1.525MM)
110	98-7856	3	Washer-Adjusting 1.300MM)	110	98-7866	3	Washer-Adjusting (1.550MM)
110	98-7857	3	Washer-Adjusting (1.325MM)	110	98-7867	3	Washer-Adjusting (1.575MM)
110	98-7858	3	Washer-Adjusting (1.350MM)	110	98-7868	3	Washer-Adjusting (1.600MM)
110	98-7859	3	Washer-Adjusting (1.375MM)	110	98-7869	3	Washer-Adjusting (1.625MM)
110	98-7860	3	Washer-Adjusting (1.400MM)	110	98-7870	3	Washer-Adjusting (1.650MM)
110	98-7861	3	Washer-Adjusting (1.425MM)	110	98-7871	3	Washer-Adjusting (1.675MM)
110	98-7862	3	Washer-Adjusting (1.450MM)	110	98-7872	3	Washer-Adjusting (1.700MM)
110	98-7863	3	Washer-Adjusting (1.475MM)	110	98-7873	3	Washer-Adjusting (1.725MM)
110	98-7864	3	Washer-Adjusting (1.500MM)	110	98-7874	3	Washer-Adjusting (1.750MM)



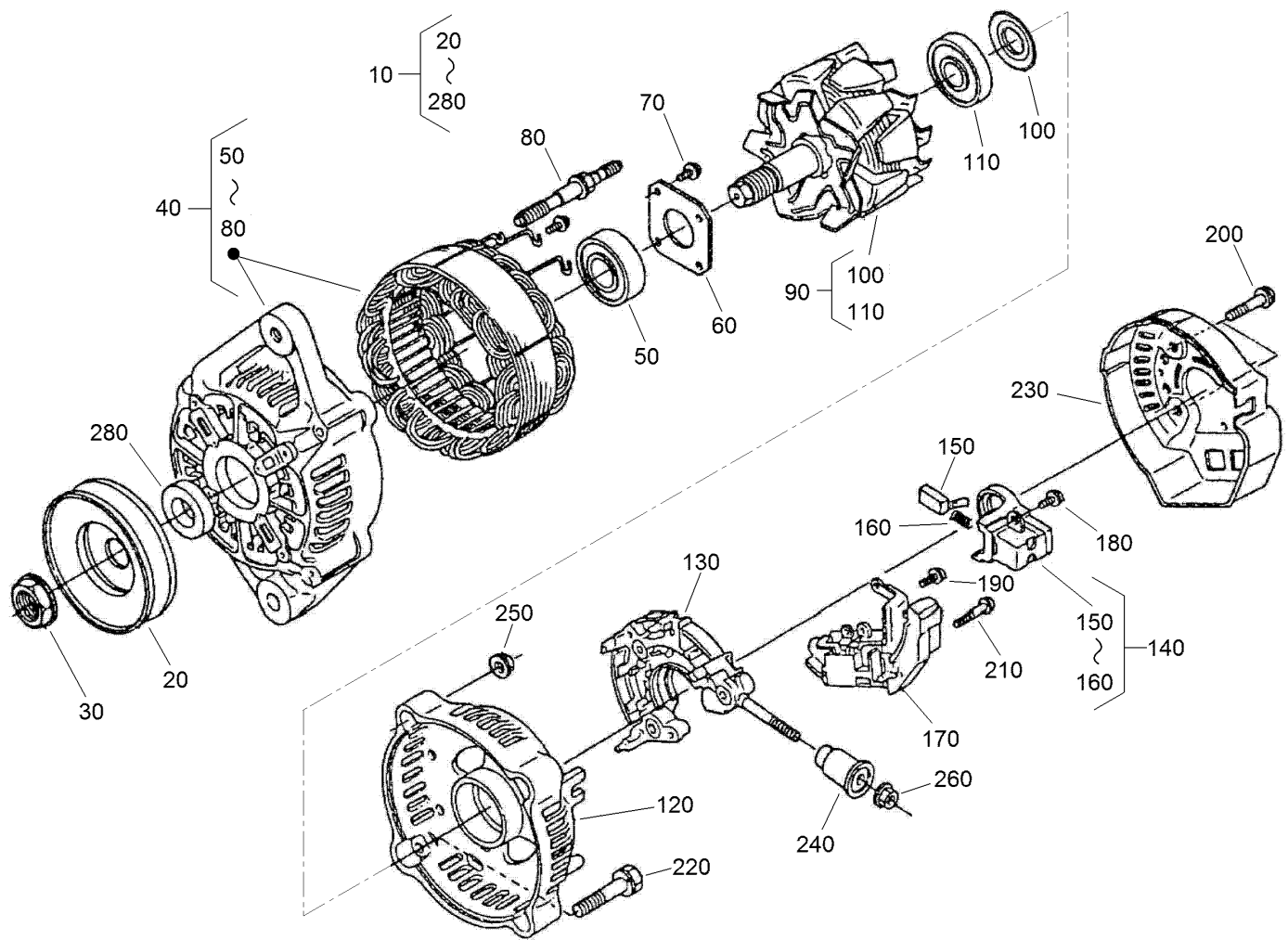
Nozzle Holder Assembly (continued)

<i>Ref.</i>	<i>Part Number</i>	<i>Qty.</i>	<i>Description</i>	<i>Ref.</i>	<i>Part Number</i>	<i>Qty.</i>	<i>Description</i>
110	98-7875	3	Washer-Adjusting (1.775MM)	110	98-7880	3	Washer-Adjusting (1.900MM)
110	98-7876	3	Washer-Adjusting (1.800MM)	110	98-7881	3	Washer-Adjusting (1.925MM)
110	98-7877	3	Washer-Adjusting (1.825MM)	110	98-7882	3	Washer-Adjusting (1.950MM)
110	98-7878	3	Washer-Adjusting (1.850MM)	120	98-7676	3	Gasket
110	98-7879	3	Washer-Adjusting (1.875MM)	130	98-7677	3	Seal-Heat



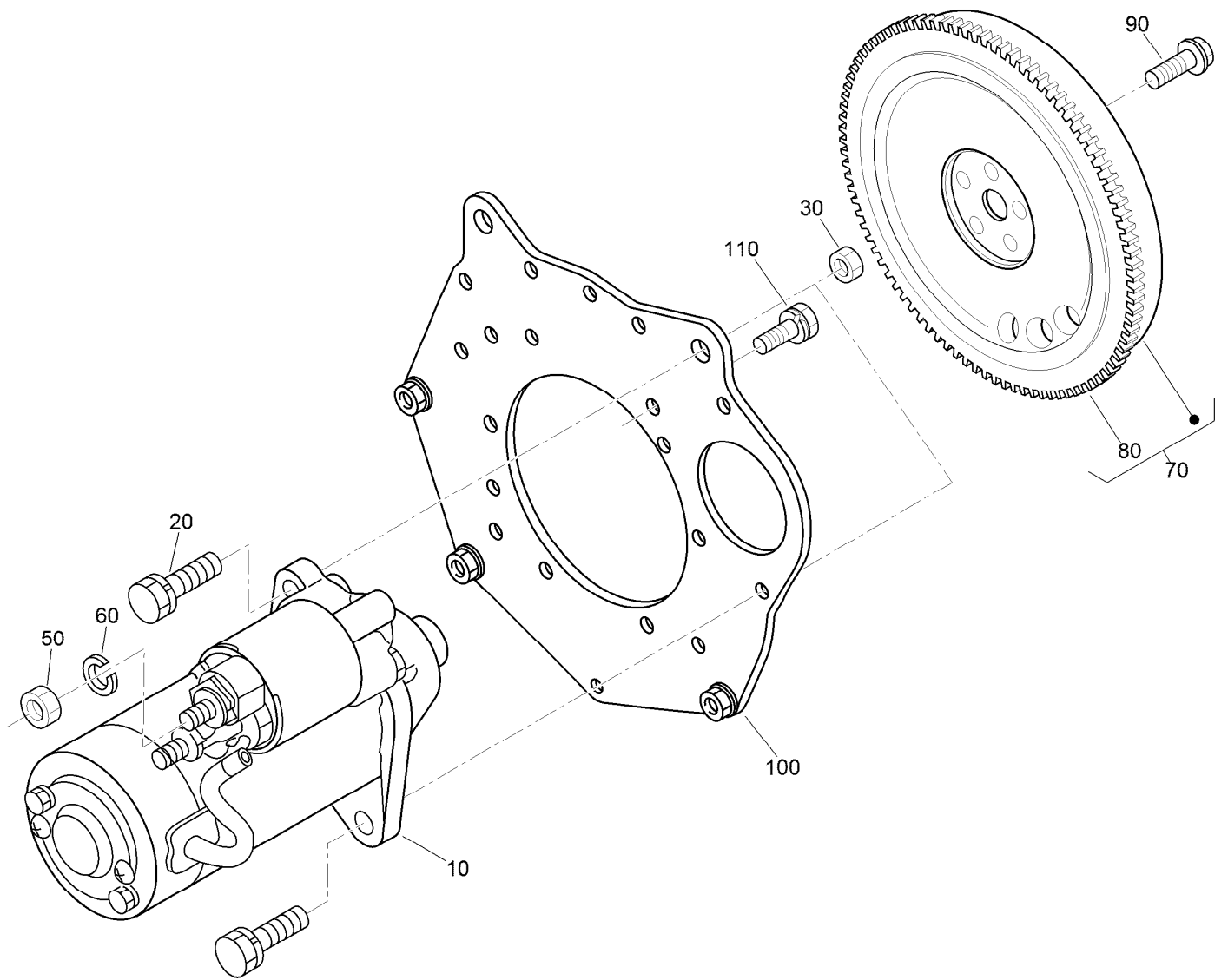
Alternator and Pulley Assembly

<i>Ref.</i>	<i>Part Number</i>	<i>Qty.</i>	<i>Description</i>
10	117-5541	1	60 Amp Alternator ASM
20	100-1921	1	Pulley-Fan
30	99-8363	4	Bolt-Flange
40	112-2510	1	Pulley-Drive, Fan
50	100-1978	1	Bolt
60	119-4486	1	Belt-V, Fan



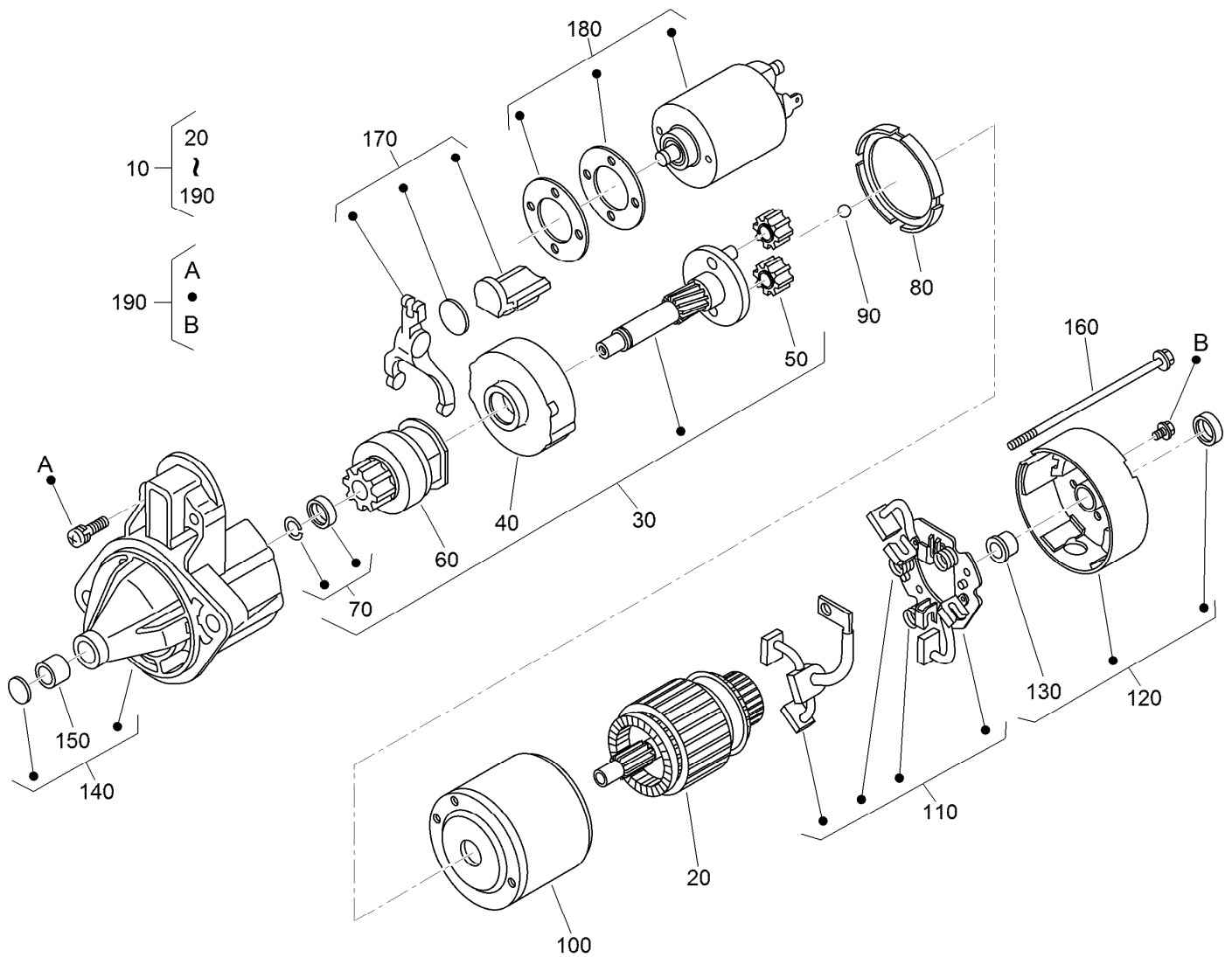
Alternator Components Assembly

<i>Ref.</i>	<i>Part Number</i>	<i>Qty.</i>	<i>Description</i>	<i>Ref.</i>	<i>Part Number</i>	<i>Qty.</i>	<i>Description</i>
10	117-5541	1	60 Amp Alternator ASM	150	98-7724	2	Brush
20	98-9453	1	Pulley-Dynamo	160	98-7725	2	Spring-Brush
30	98-7708	1	Nut	170	117-0319	1	Regulator ASM
40	117-0316	1	Drive End Frame ASM	180	98-7727	6	Screw-Head, Round
50	133-2811	1	Bearing	190	98-7728	1	Screw-Head, Round
60	98-7715	1	Plate-Retainer	200	98-7729	3	Bolt
70	98-7716	4	Screw-Head, Round	210	98-7726	2	Screw-Head, Round
80	98-7717	2	Bolt-Through	220	98-7731	2	Bolt
90	117-0317	1	Rotor ASM	230	117-0320	1	Cover-End
100	98-7711	1	Cover-Bearing	240	117-0321	1	Insulation-Brush
110	107-0138	1	Bearing-Ball	250	98-7730	2	Nut
120	133-2813	1	Frame-End	260	98-7732	1	Nut
130	117-0322	1	Holder	280	98-7709	1	Collar
140	107-0141	1	Brush Holder ASM				



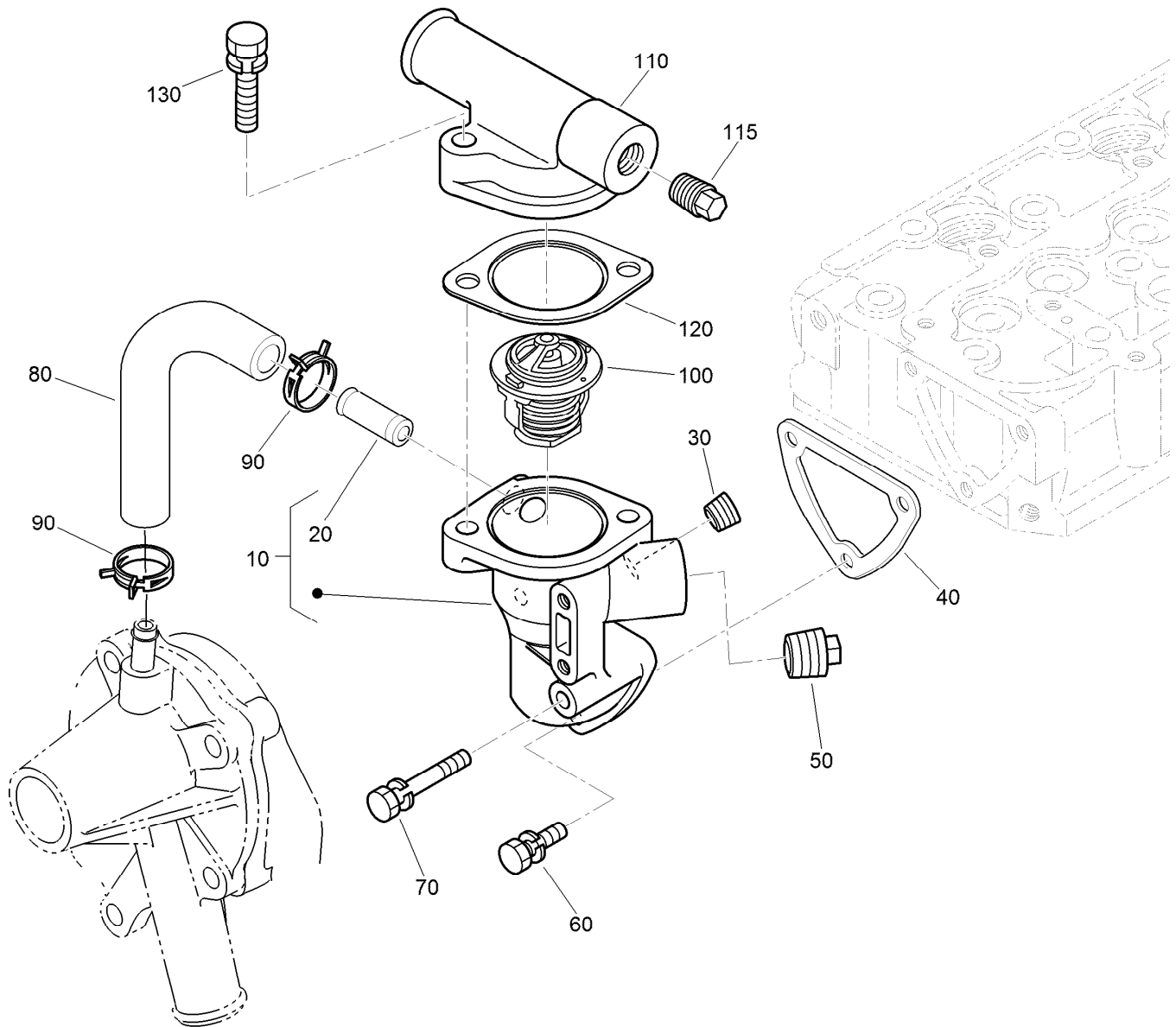
Starter and Flywheel Assembly

<i>Ref.</i>	<i>Part Number</i>	<i>Qty.</i>	<i>Description</i>
10	110-3800	1	Starter ASM
20	98-7697	2	Bolt
30	98-7534	2	Nut
50	98-7534	1	Nut
60	105-2893	1	Washer-Spring
70	130-1369	1	Flywheel ASM
80	127-1604	1	Gear-Ring
90	100-1930	5	Bolt-Flywheel
100	120-3130	1	Plate-End, Rear
110	110-3754	10	Bolt



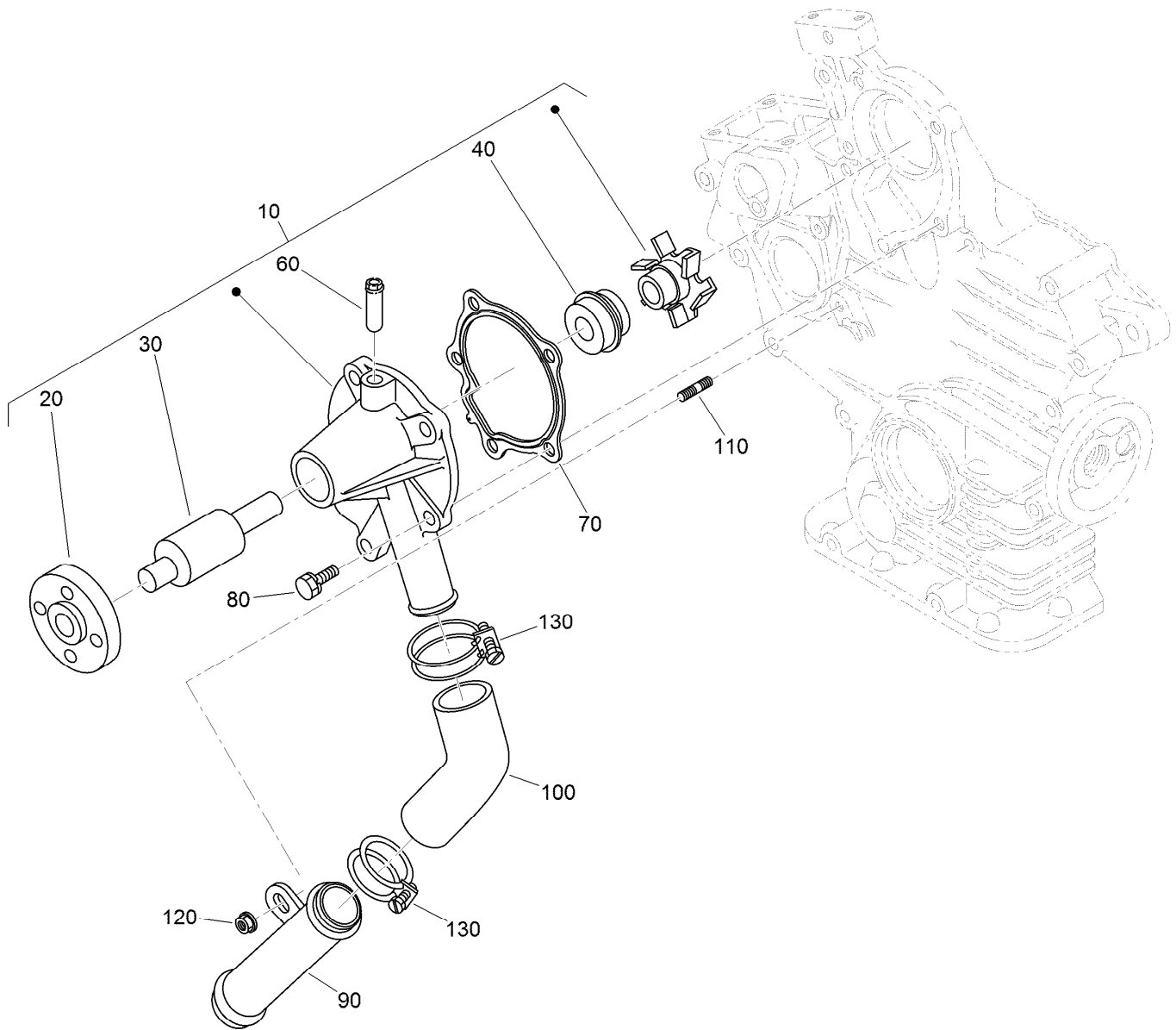
Starter Component Assembly

<i>Ref.</i>	<i>Part Number</i>	<i>Qty.</i>	<i>Description</i>	<i>Ref.</i>	<i>Part Number</i>	<i>Qty.</i>	<i>Description</i>
10	110-3800	1	Starter ASM	110	110-3810	1	Brush Holder ASM
20	110-3801	1	Armature	120	110-3811	1	Rear Bracket ASM
30	110-3802	1	Shaft ASM	130	110-3812	1	Bushing
40	120-3142	1	Gear-Internal	140	110-3813	1	Front Bracket ASM
50	110-3804	3	Gear-Planetary	150	110-3814	1	Bushing
60	110-3805	1	Clutch-Running, Over	160	110-3815	2	Bolt
70	110-3806	1	Stopper	170	110-3816	1	Fork Lever ASM
80	120-3143	1	Gasket	180	110-3817	1	Magnetic Switch ASM
90	110-3808	1	Ball	190	110-3818	1	Screws (Set Of 4)
100	130-1295	1	Yoke				



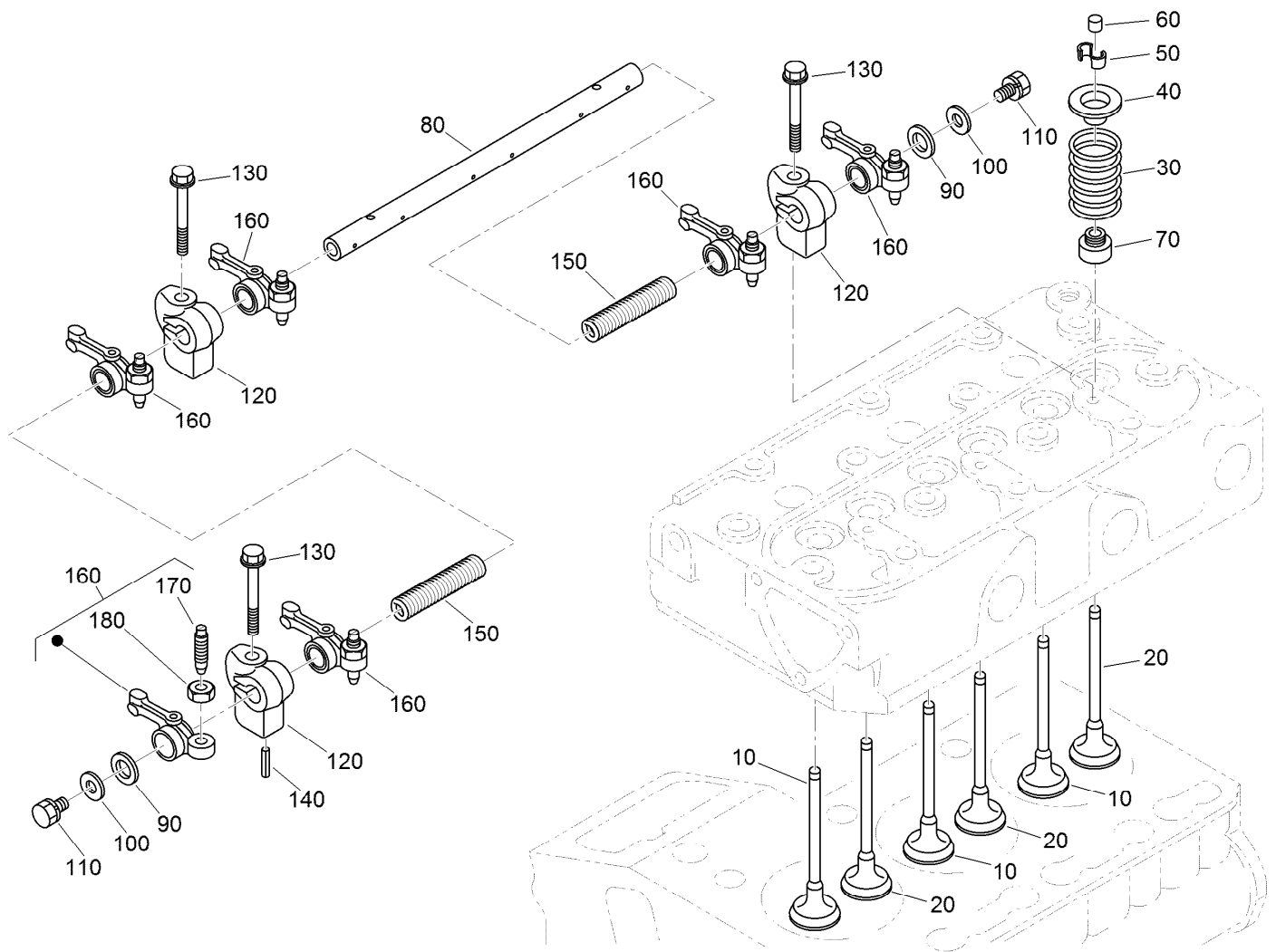
Water Flange and Thermostat Assembly

<i>Ref.</i>	<i>Part Number</i>	<i>Qty.</i>	<i>Description</i>
10	110-3819	1	Water Flange ASM
20	98-9580	1	Pipe-Return, Water
30	98-9444	1	Plug
40	110-3820	1	Gasket-Flange, Water
50	110-3821	1	Plug
60	98-7692	2	Bolt
70	125-9063	1	Bolt-Sems
80	110-3822	1	Pipe-Return, Water
90	125-9078	2	Clamp-Hose
100	98-7778	1	Thermostat ASM
110	120-7575	1	Cover-Thermostat
115	125-9079	1	Plug
120	105-3748	1	Gasket-Thermostat
130	98-7777	2	Bolt



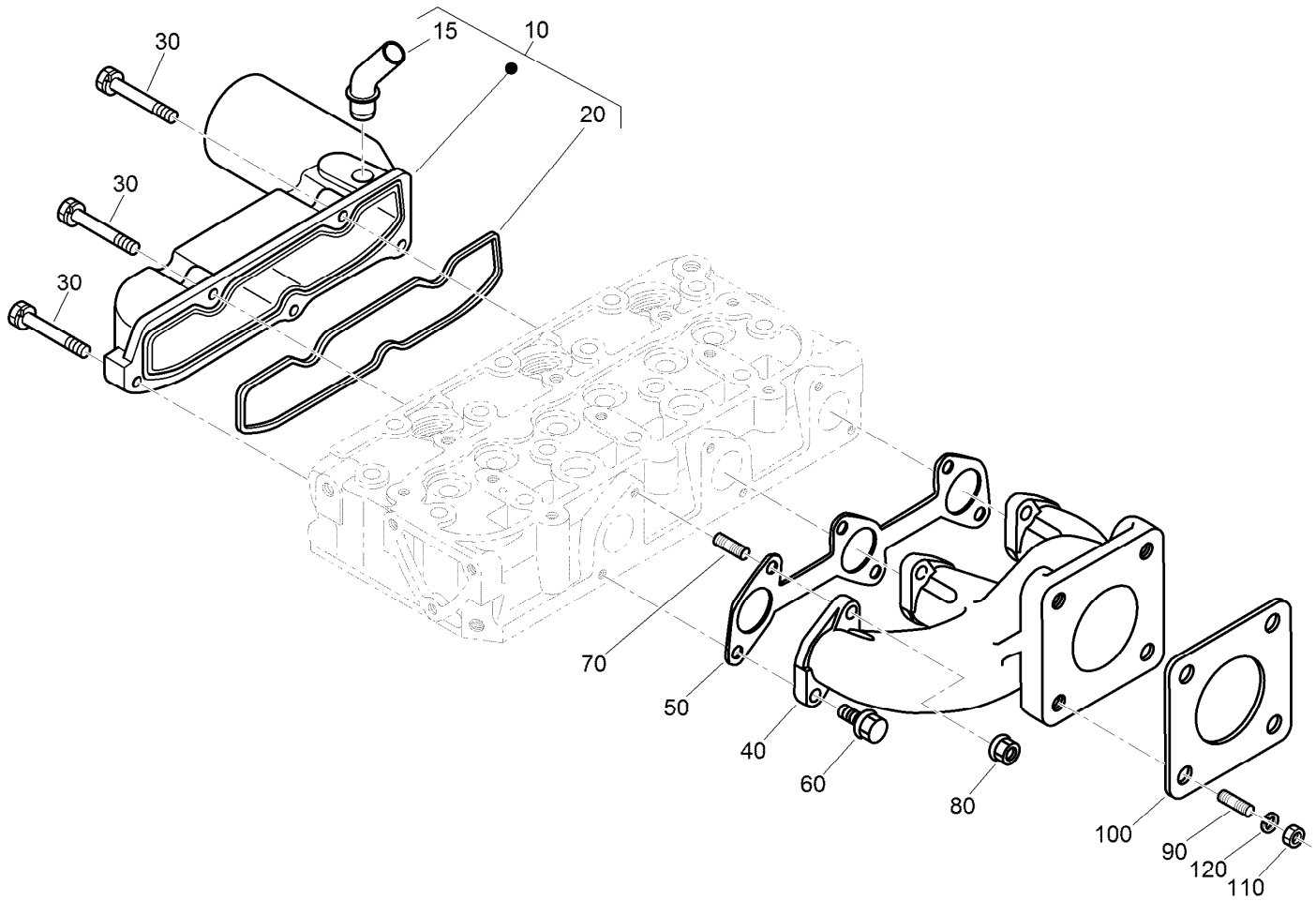
Water Pump and Water Pipe Assembly

<i>Ref.</i>	<i>Part Number</i>	<i>Qty.</i>	<i>Description</i>
10	110-3824	1	Water Pump ASM
20	125-9081	1	Flange-Pump, Water
30	100-1934	1	Bearing-Ball
40	99-3518	1	Water Pump Seal ASM
60	100-1932	1	Pipe-Return, Water
70	117-0330	1	Gasket-Pump, Water
80	100-1750	4	Bolt
90	100-1918	1	Pipe-Water
100	110-3827	1	Pipe-Water
110	100-1924	1	Stud
120	100-2203	1	Nut-Flange
130	110-3828	2	Band-Pipe



Valve and Rocker Arm Assembly

Ref.	Part Number	Qty.	Description	Ref.	Part Number	Qty.	Description
10	112-2514	3	Valve-Inlet	100	110-3832	2	Washer-Plain
20	112-2515	3	Valve-Exhaust	110	100-1762	2	Bolt
30	100-1823	6	Spring-Valve	120	110-3833	3	Bracket-Arm, Rocker
40	100-1825	6	Retainer-Spring, Valve	130	110-3834	3	Bolt-Flange
50	120-3136	6	Collet-Spring, Valve	140	98-7602	1	Pin-Spring
60	100-2155	6	Cap-Valve	150	112-8342	2	Spring
70	100-1797	6	Seal-Stem, Valve	160	100-1884	6	Rocker Arm ASM
80	112-8341	1	Shaft-Arm, Rocker	170	100-1885	6	Screw-Adjusting
90	100-2044	2	Washer	180	100-1827	6	Nut



Inlet and Exhaust Manifold Assembly

<i>Ref.</i>	<i>Part Number</i>	<i>Qty.</i>	<i>Description</i>
10	120-3141	1	Intake Manifold ASM
15	121-2417	1	Pipe-Breather
20	110-3838	1	Gasket-Manifold, Intake
30	98-9352	5	Bolt
40	110-3839	1	Manifold-Exhaust
50	110-3840	1	Gasket-Manifold, Exhaust
60	130-1154	3	Screw-Hex HD
70	130-1156	3	Bolt-Stud
80	100-1778	3	Nut
90	98-7769	4	Stud
100	99-8343	1	Gasket-Muffler
110	98-7534	4	Nut
120	105-2893	4	Washer-Spring

Attachments and Accessories

For 04520 Greensmaster 3400 TriFlex Traction Unit

Product Name	Model/Part
Turf Evaluator	04399
CE Guard Kit.....	04442
Standard Greensmower Seat Kit	04508
Light Kit.....	04554
8-Blade DPA Reel Mower	04651
11-Blade DPA Reel Mower	04653
14-Blade DPA Reel Mower	04655
Three-Wheel Drive Kit	04714
Anti-Bobbing Kit.....	04716
Dethatching Unit	04720
Tri-Roller	04722
Spiker	04723
Premium Seat.....	04729
Hydraulic Oil Leak Detector Kit	04730
Paint-Black Bottle	112-0176
Paint-Red Bottle	112-0178
Wireless Hourmeter	115-4754
Oil Cooler Kit.....	117-9314
Premium Synthetic Bio-Degradable Hydraulic Fluid (5 Gallon Pail)	119-2157
Premium Synthetic Bio-Degradable Hydraulic Fluid (55 Gallon Drum).....	119-2158
Premium Armrest Kit.....	119-7105
Spark Arrester Kit	120-1951
Armrest Kit.....	121-3660
Premium Engine Oil 10w30 (55 Gallon Drum)	121-6392
Premium Engine Oil 10w30 (5 Gallon Pail)	121-6393
Weight Kit	121-6665
Hi-Back Seat Cover	133-1308
PX Hydraulic Fluid (5 Gal)	133-8086
PX Hydraulic Fluid (55 Gal).....	133-8087
Bag Kit	137-8130
Bimini Shade Kit	138-8579
Tire - 20 X 10.00-8, 4ply.....	144-3665
Toro Red 12oz Aerosol Can	361-10
Semi-Gloss Black Spray Paint.....	361-9
MVP Kit 1000 Hour	44970
Height-of-Cut Bar.....	94-9010

Notes:

Notes:

Notes:



Count on it.