



Count on it.

Parts Catalog

Groundsmaster® 3200

All-Wheel Drive Traction Unit

Model No. 31901A—Serial No. 42000000 and Up



Ordering Replacement Parts

To order replacement parts, please supply the part number, the quantity, and the description of each part desired.

Understanding Reference Numbers

Each identified part in an illustration has a reference number. The reference number for a part also appears in the parts list, along with other information about the part.

This catalog uses two special reference number formats, one to indicate parts in a service assembly and another to indicate the quantity of a given part in an illustration.

Service Assembly Reference Numbers

Parts in service assemblies have reference numbers in the form a:b. The a represents the reference number of the entire service assembly and the b represents a sequential number unique to each part within the service assembly.

For example, a wheel assembly might be identified by reference number 6, the tire by 6:1, the valve by 6:2, and the wheel by 6:3. When you order the assembly identified by reference number 6, you receive all parts identified by reference numbers 6:1, 6:2, and 6:3. However, you may also order any part individually. Reference numbers of this type appear in illustration and in parts lists.

Reference Numbers Indicating Quantity

In an illustration, if a reference number indicates more than one part, the reference number has the form nX y. The n represents the quantity of the part, the X is the multiplication symbol, and the y represents the reference number.

For example, in an illustration, the reference number 2X 37 means that two of the parts identified by reference number 37 are indicated.

Contents

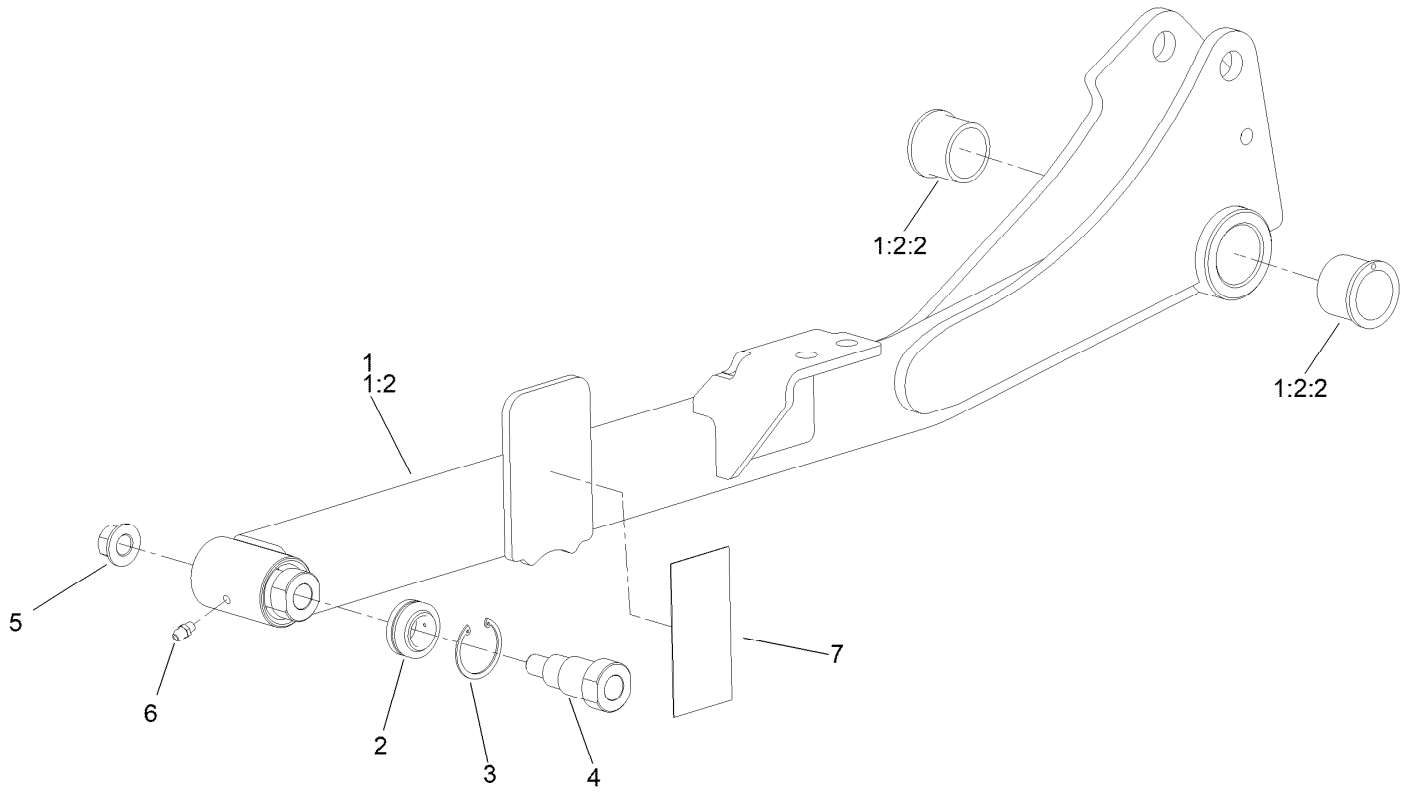
Frame and Roll-Over Protection System Assembly	4
LH Lift Arm Assembly No. 144-3943	6
RH Lift Arm Assembly No. 144-3942	8
Tie Rod Assembly No. 144-3900	10
Rear Bumper Assembly	12
Brake Assembly	13
Left Hand Brake Assembly No. 120-0235	15
Right Hand Brake Assembly No. 120-0233	16
Hydraulic Drive Assembly	17
Hydraulic Motor Assembly No. 138-0435	18
Hydraulic Motor Assembly No. 138-0436	19
Hydraulic Motor Assembly No. 137-2479	20
Hydraulic Motor Assembly No. 137-2459	21
Steering/Lift Manifold Assembly No. 145-6080	22
Engine, Muffler and Air Cleaner Assembly	24
Air Cleaner Assembly No. 93-2190	26
Radiator and Cooler Assembly	27
Fuel System Assembly	28
Fuel Tank Assembly No. 138-0291	30
Hydraulic Tank Assembly No. 138-4418	31
Platform, Steering and Console Assembly	32
Steering Column Assembly No. 139-0857	34
Pedal Assembly	35
Control Console Assembly	37
Hood Assembly	38
Pump, Driveshaft and Clutch Assembly	39
Pump Assembly No. 145-5940	40
Driveshaft Assembly No. 163-1700SP	41
Hydraulic Assembly	42
Gear Pump Assembly No. 147-5115	45
Hydraulic Cylinder No. 139-0854	46
Steering Valve Assembly No. 114-8119	47
Steering Cylinder Assembly No. 139-6277	48
Hydraulic Traction Assembly	50
Miscellaneous Parts Assembly	52
Electrical Assembly	54
Wire Harness Assembly No. 122-2518	56
Cylinder Block Assembly	58
Gear Housing Assembly	60
Mounting Flange and Oil Sump Assembly	62
Cylinder Head and Cover Assembly	64
Exhaust Manifold Assembly	66
Camshaft and Driving Gear Assembly	68
Crankshaft and Piston Assembly	70
Lubrication and Oil System Assembly	72
Cooling Water System Assembly	74
Fuel Injection Pump Assembly	76
Governor Assembly	78
Fuel Injection Valve Assembly	80
Fuel Pipe Assembly	82
Starter Motor Assembly	84
Generator Assembly	86
Accessory Assembly	88
Gasket Set	90
Attachments and Accessories	92

Frame and Roll-Over Protection System Assembly (continued)

<i>Ref.</i>	<i>Part Number</i>	<i>Qty.</i>	<i>Description</i>	<i>Ref.</i>	<i>Part Number</i>	<i>Qty.</i>	<i>Description</i>
1	145-6050SP	1	Frame ASM	19:4	302-5	2	Fitting-Grease
2	139-6254SP	1	ROPS ASM, Lower	20	32151-77	2	Ring-Retaining, External
2:1		1	Lower ROPS ASM ●	21	69-8890	2	Cap-Spindle
2:1:2	138-2758	4	Nut-Clinch,Hex	22	3234-1	2	Screw-HHF
3	117-3176	4	Screw-HHF	23	140-6101	1	Pin ASM-Axle Pivot
4	139-1689	6	Nut-HF	23:2	32121-32	1	Pin-Roll
5	138-7470	1	ROPS ASM, Upper	24	99-8432	2	Washer-Thrust
5:3	108-2073	1	Decal-Warning	25	71-4540	1	Washer-Thrust
6	325-13	2	Screw-HH	26	3296-15	1	Nut-Lock, NI
7	110-5696	2	Spring-Leaf	27	302-33	1	Fitting-Grease
8	32105-15	6	Screw-HWH	28	144-3900	1	Tie Rod ASM
9	32128-23	2	Nut-HF	29	3272-12	2	Pin-Cotter
10	161-4477	2	ROPS Pin ASM	30	76-2980	2	Washer-Thrust
11	144-3943	1	Lift Arm ASM. LH	31	138-4452	2	Pad-Stop, Deck
12	144-3942	1	Lift Arm ASM. RH	32	3289-4	4	Screw-FH
13	138-7489	2	Pin (Machined)	33	325-7	2	Screw-HH
14	302-40	2	Fitting-Grease, 90 DEG	34	138-4593	2	Pin
15	119-4061	2	Screw-HHF	35	133-9682	2	Screw-Hfh
16	119-4042	4	Nut-HF, NI	36	147-0045-0P	1	Channel-Harness Retainer
17	3218-5	2	Nut-Jam	37	138-2758	2	Nut-Clinch,Hex
18	115-5300	1	Proximity Switch ASM	38	240-5	1	Grommet
18:1	117-3207	2	Nut-Hex	39	104-0108	2	U-Bolt
18:2	117-3208	2	Washer-Lock, Internal Tooth	40	95-6231	2	Chain-HOC
19	161-2404	1	Axle ASM	41	139-1689	4	Nut-HF
19:2	99-6964	2	Bushing-Axle	42	3256-26	4	Washer-Flat
19:3	104-0015	4	Bushing-Flange	43	3218-5	4	Nut-Jam

● Not serviced separately

LH Lift Arm Assembly No. 144-3943

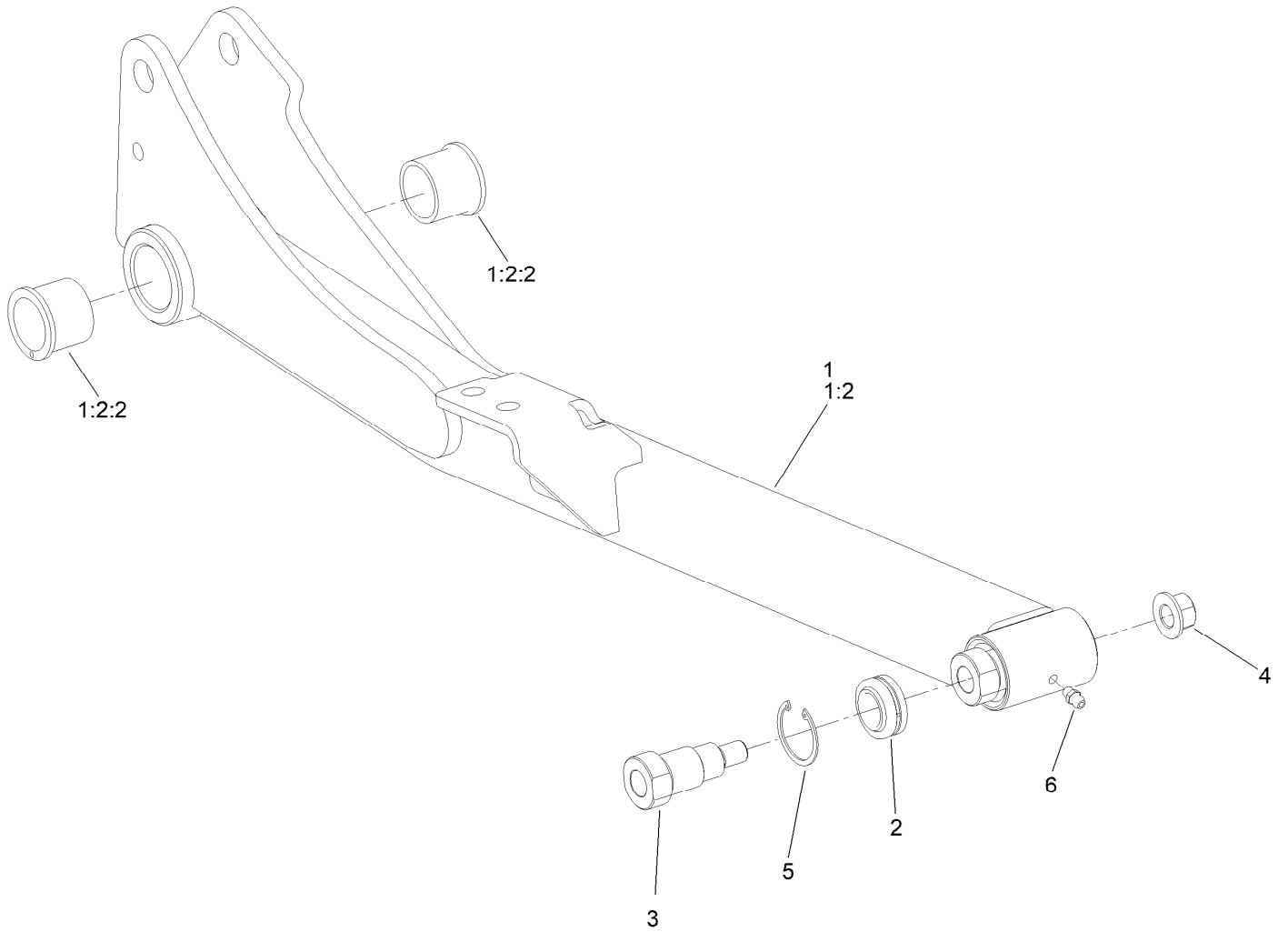


LH Lift Arm Assembly No. 144-3943 (continued)

<i>Ref.</i>	<i>Part Number</i>	<i>Qty.</i>	<i>Description</i>	<i>Ref.</i>	<i>Part Number</i>	<i>Qty.</i>	<i>Description</i>
1		1	Lift Arm ASM, LH ●	4	139-0910	1	Bolt-Shoulder
1:2		1	Hub-ASM ●	5	139-1689	1	Nut-HF
1:2:2	104-0015	2	Bushing-Flange	6	302-5	1	Fitting-Grease
2	105-7441	1	Bearing-Spherical	7	139-0948	1	Pad-Ride, Pin
3	32151-34	1	Ring-Retaining				

● Not serviced separately

RH Lift Arm Assembly No. 144-3942

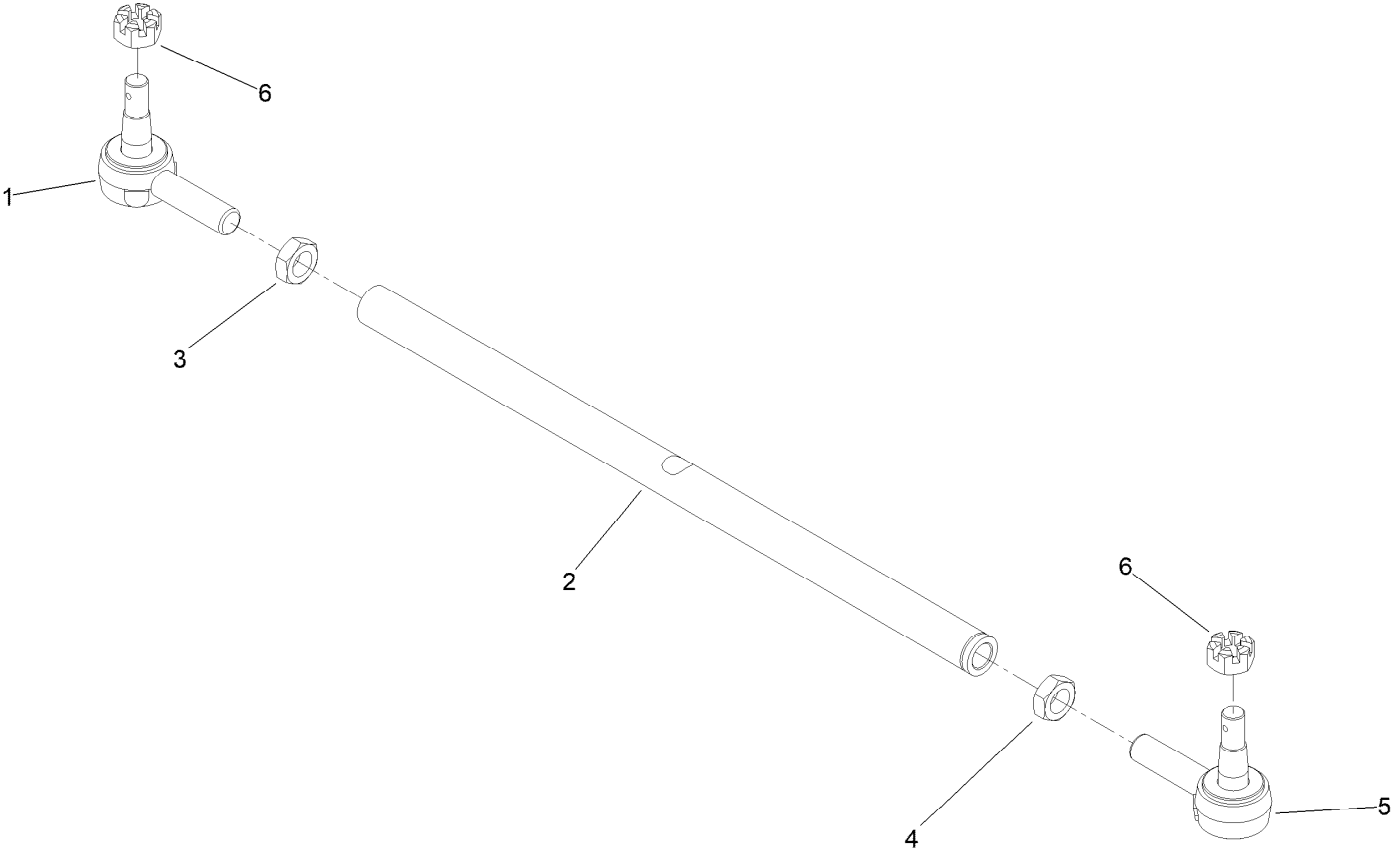


RH Lift Arm Assembly No. 144-3942 (continued)

<i>Ref.</i>	<i>Part Number</i>	<i>Qty.</i>	<i>Description</i>	<i>Ref.</i>	<i>Part Number</i>	<i>Qty.</i>	<i>Description</i>
1		1	Lift Arm ASM, RH ●	3	139-0910	1	Bolt-Shoulder
1:2		1	Hub-ASM ●	4	139-1689	1	Nut-HF
1:2:2	104-0015	2	Bushing-Flange	5	32151-34	1	Ring-Retaining
2	105-7441	1	Bearing-Spherical	6	302-5	1	Fitting-Grease

● Not serviced separately

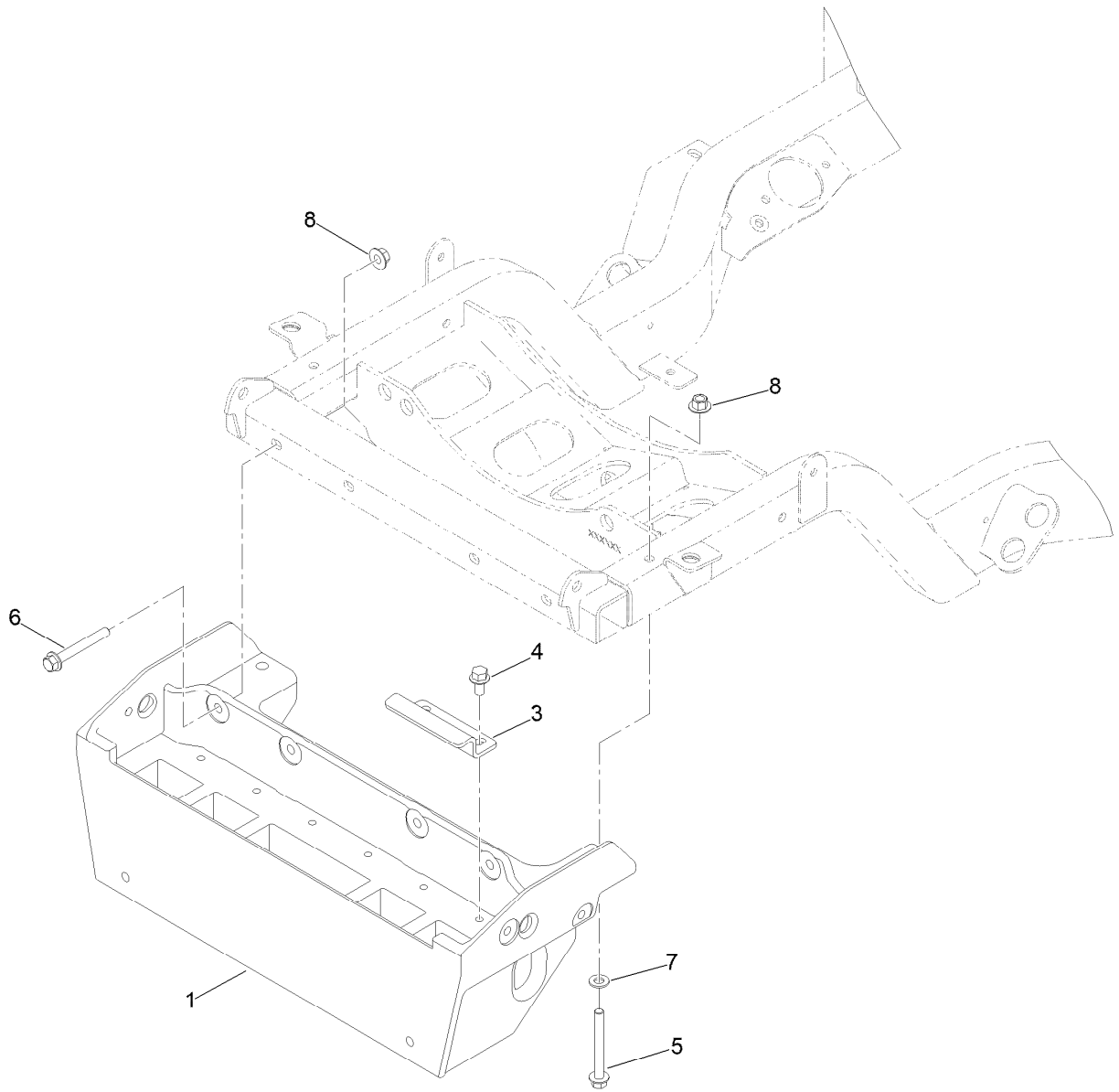
Tie Rod Assembly No. 144-3900



Tie Rod Assembly No. 144-3900 (continued)

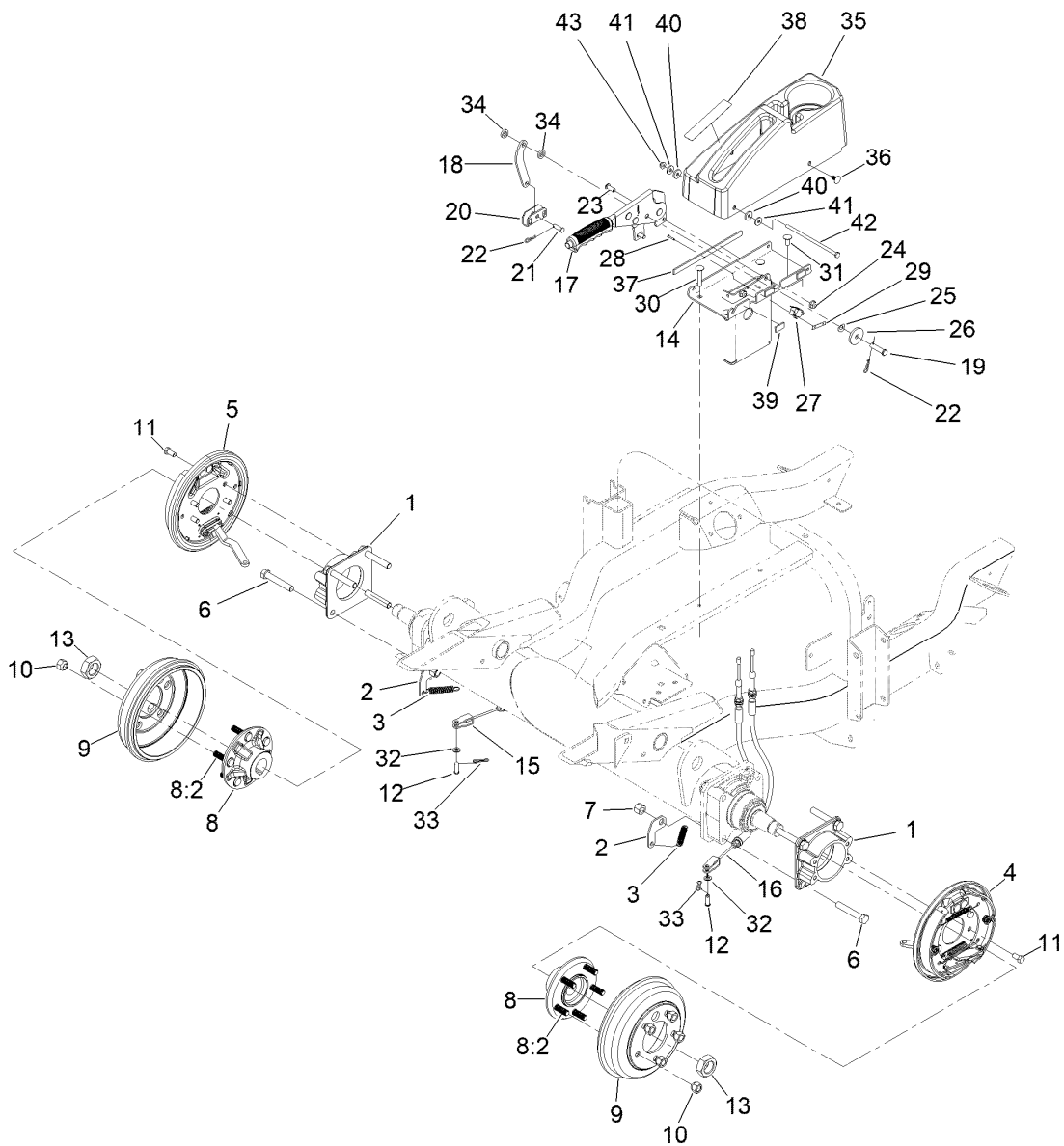
<i>Ref.</i>	<i>Part Number</i>	<i>Qty.</i>	<i>Description</i>
1	144-3901	1	End-Rod, Tie
2	133-6463	1	Tie-Rod
3	84-5300	1	Nut-Jam

<i>Ref.</i>	<i>Part Number</i>	<i>Qty.</i>	<i>Description</i>
4	110-5337	1	Nut-Jam
5	144-3902	1	End-Rod, Tie
6	140-6135	2	Nut-Hex, Slotted



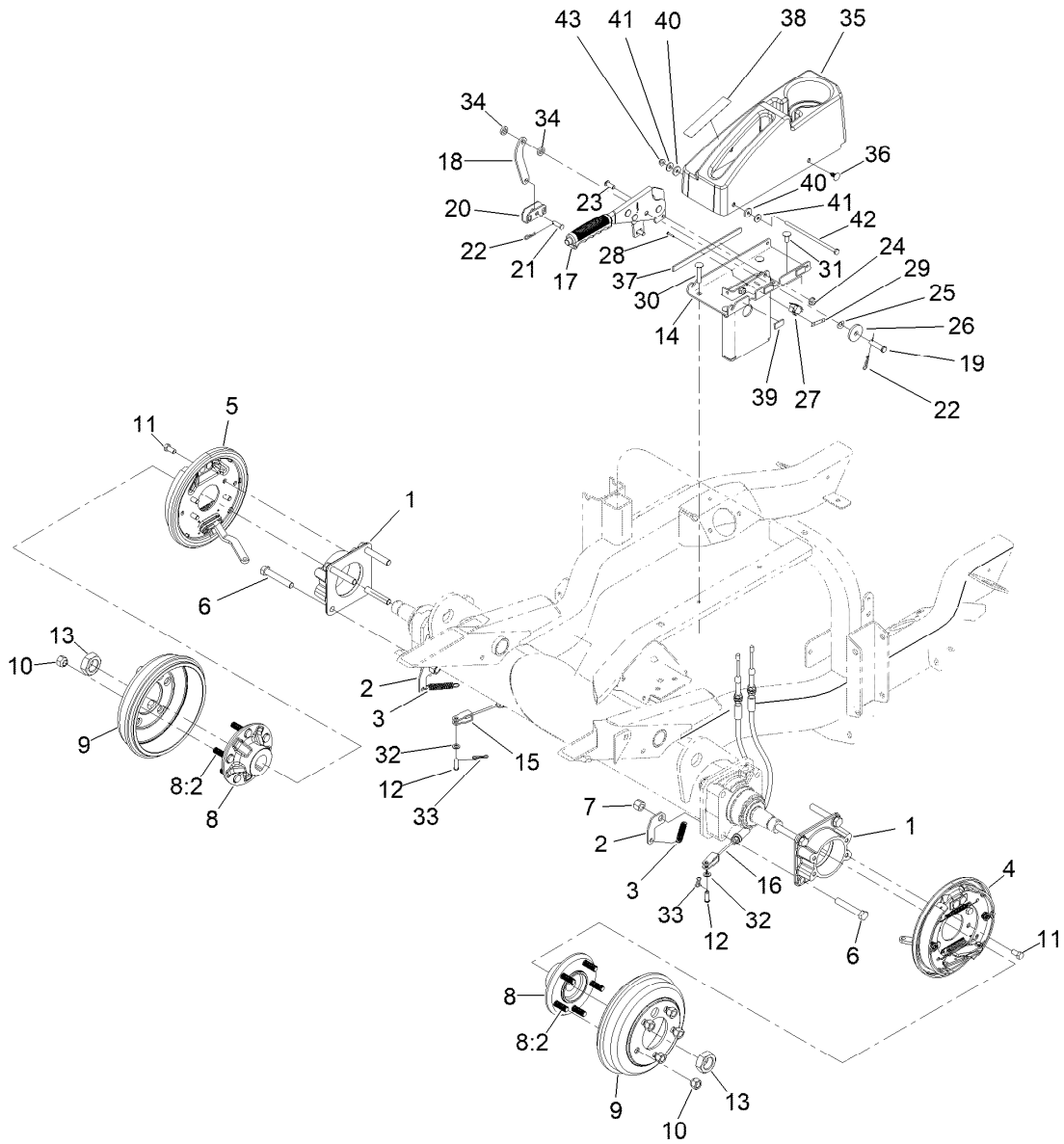
Rear Bumper Assembly

Ref.	Part Number	Qty.	Description
1	147-3589SP	1	Bumper-Rear
3	161-8910	3	Bracket-Weight Retainer
4	3234-1	6	Screw-HHF
5	3234-41	2	Screw-HHF
6	139-2429	4	Screw-HHF
7	3256-24	2	Washer-Plain
8	32128-43	6	Nut-Flange



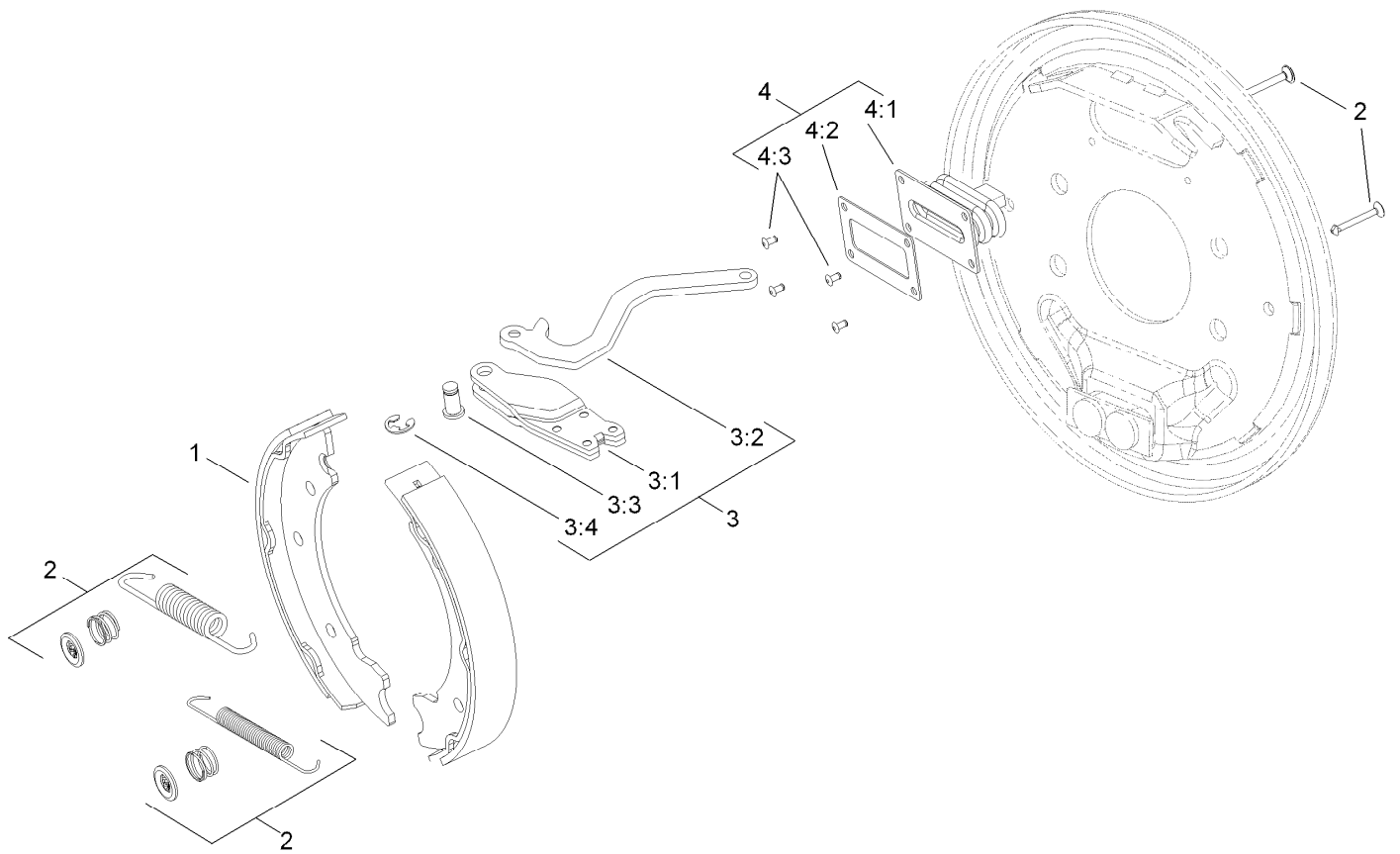
Brake Assembly

Ref.	Part Number	Qty.	Description	Ref.	Part Number	Qty.	Description
1	147-3594	2	Adapter-Brake	21	1-808280	1	Pin-Clevis
2	138-4499	2	Clip-Spring	22	1-806003	2	Pin-Cotter
3	137-2591	2	Spring-Extension	23	3274-55	2	Screw-HSBH
4	120-0235	1	LH Brake ASM	24	119-4041	6	Nut-HF
5	120-0233	1	RH Brake ASM	25	121-4605	1	Washer-Spring
6	325-12	8	Screw-HH	26	131-8496	1	Washer-Plain
7	3296-23	8	Nut-Lock, NI	27	108-6496	1	Switch (W/Boot)
8	137-2470	2	Hub ASM	28	95-3003	2	Screw-PPHTF
8:2	114-3918	5	Stud-Wheel	29	3290-354	1	Nut-Speed
9	114-8864	2	Drum-Brake	30	116-0629	2	Screw-CARR
10	139-2564	10	Nut-Lug	31	137-3061	2	Bolt-CARR
11	323-4	8	Screw-HH	32	3256-74	2	Washer-Flat
12	283-58	2	Pin-Clevis	33	119-1415	2	Pin-Cotter, Locking
13	107-9319	2	Nut-Hex	34	3-3287	2	Spacer
14	147-0064-0P	1	Mount-Brake, Parking	35	138-7475	1	Cover-Brake, Parking
15	137-2640	1	Cable-Brake, Adjustable RH	36	117-2382	2	Plug-Plastic
16	137-2641	1	Cable-Brake, Adjustable LH	37	132-7282	1	Strip-Foam
17	131-8320	1	Lever-Brake, Park	38	139-6224	1	Decal-Brake, Parking
18	144-0516	1	Link-Park, Brake	39	115-5417	3	Strip-Foam
19	283-10	1	Pin-Clevis	40	144-0499	2	Washer-Epdm
20	87-3480	1	Bracket-Equalizer, Cable	41	3256-78	2	Washer-Flat



Brake Assembly (continued)

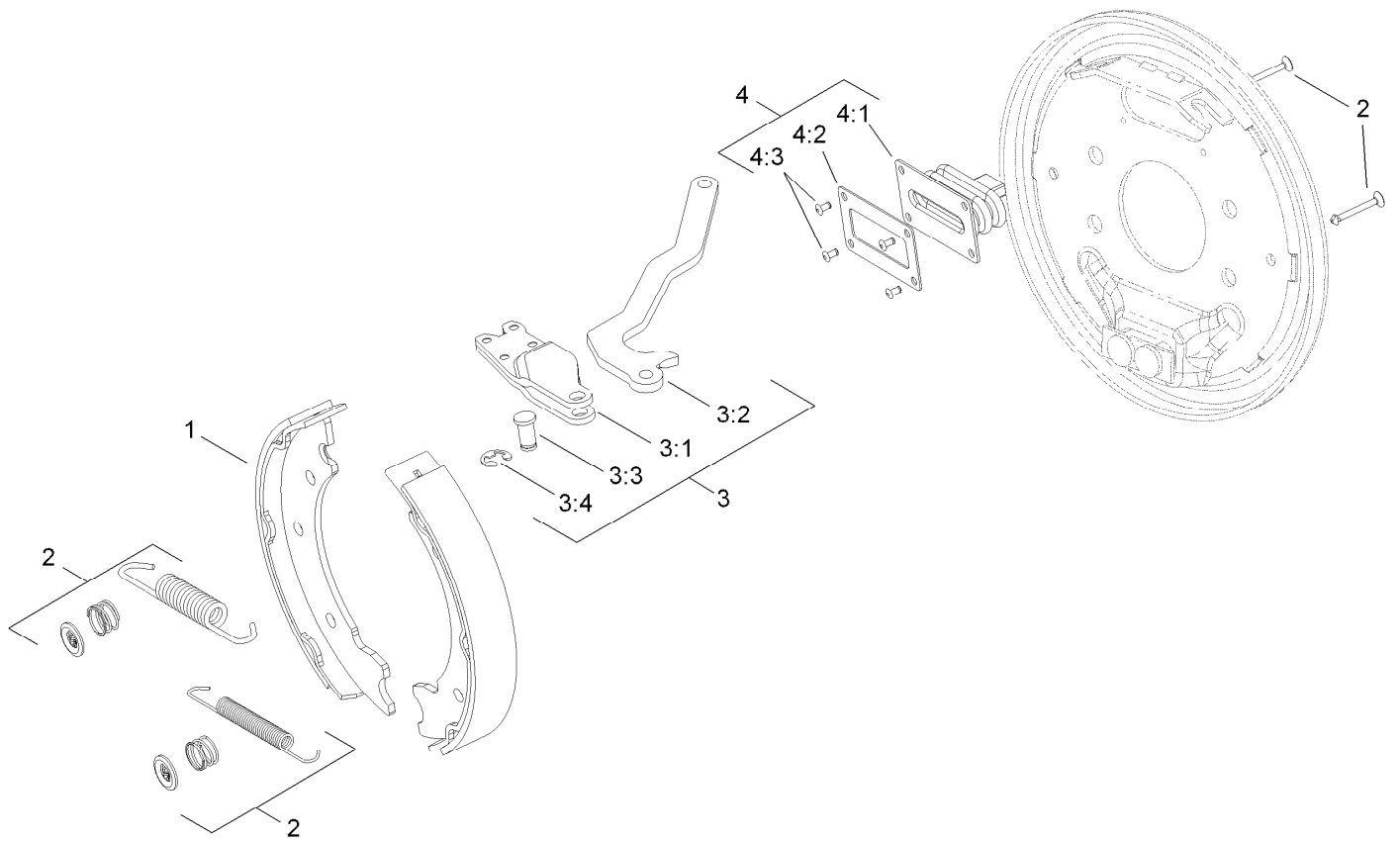
Ref.	Part Number	Qty.	Description
42	321-21	1	Screw-HH
43	104-7201	1	Nut-HF, NI



Left Hand Brake Assembly No. 120-0235

Ref.	Part Number	Qty.	Description
1	139-5950	1	Brake Shoe Kit
2	108-6983	1	Brake Hardware Kit
3	120-0236	1	LH Actuator Kit
3:1		1	Housing ●
3:2		1	Lever-LH ●
3:3		1	Pin-Pivot ●
3:4		1	E-Ring ●
4	110-8885	1	Dust Boot Kit
4:1		1	Boot ●
4:2		1	Plate-Back Up ●
4:3		2	Rivet ●

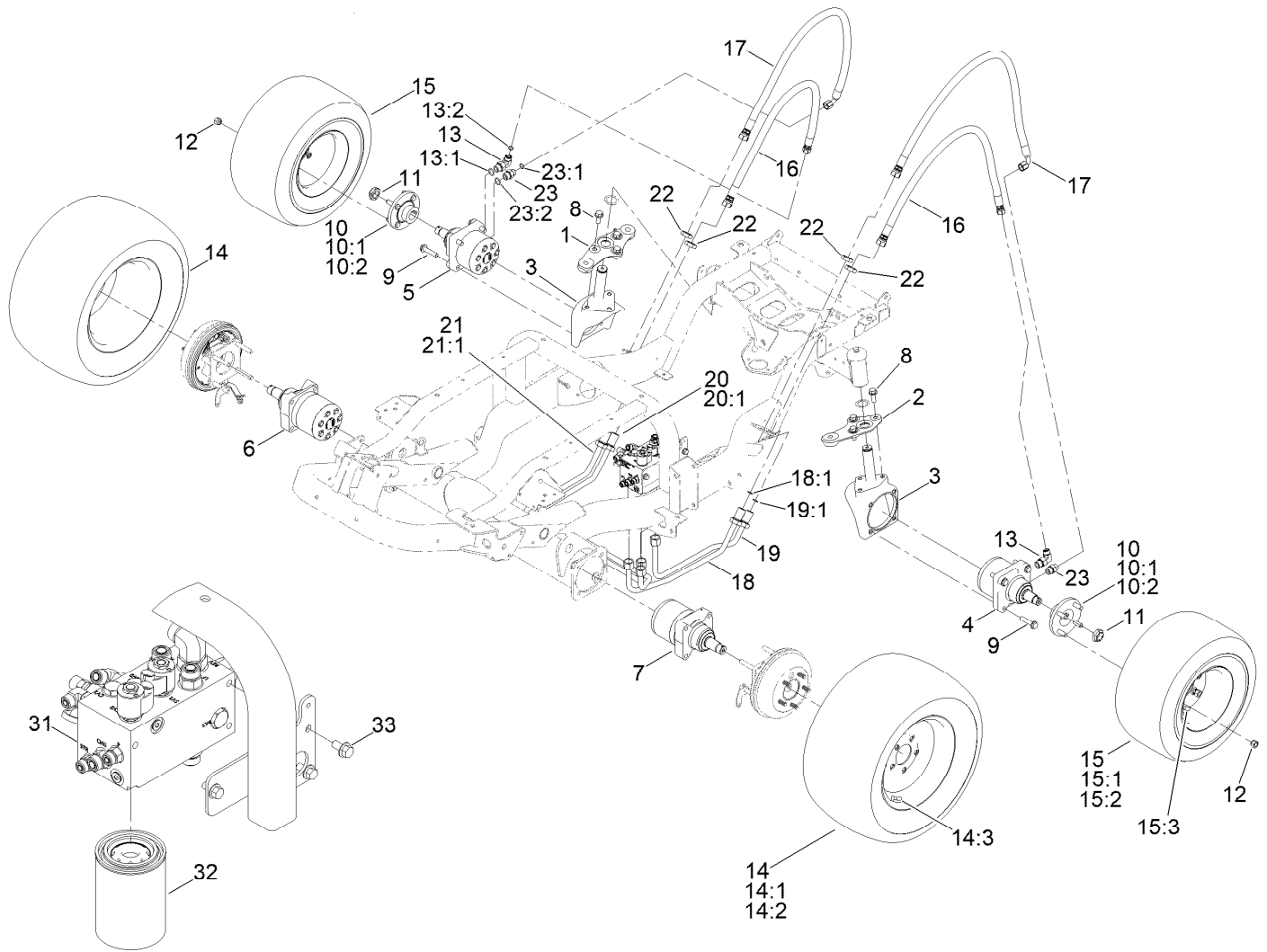
● Not serviced separately



Right Hand Brake Assembly No. 120-0233

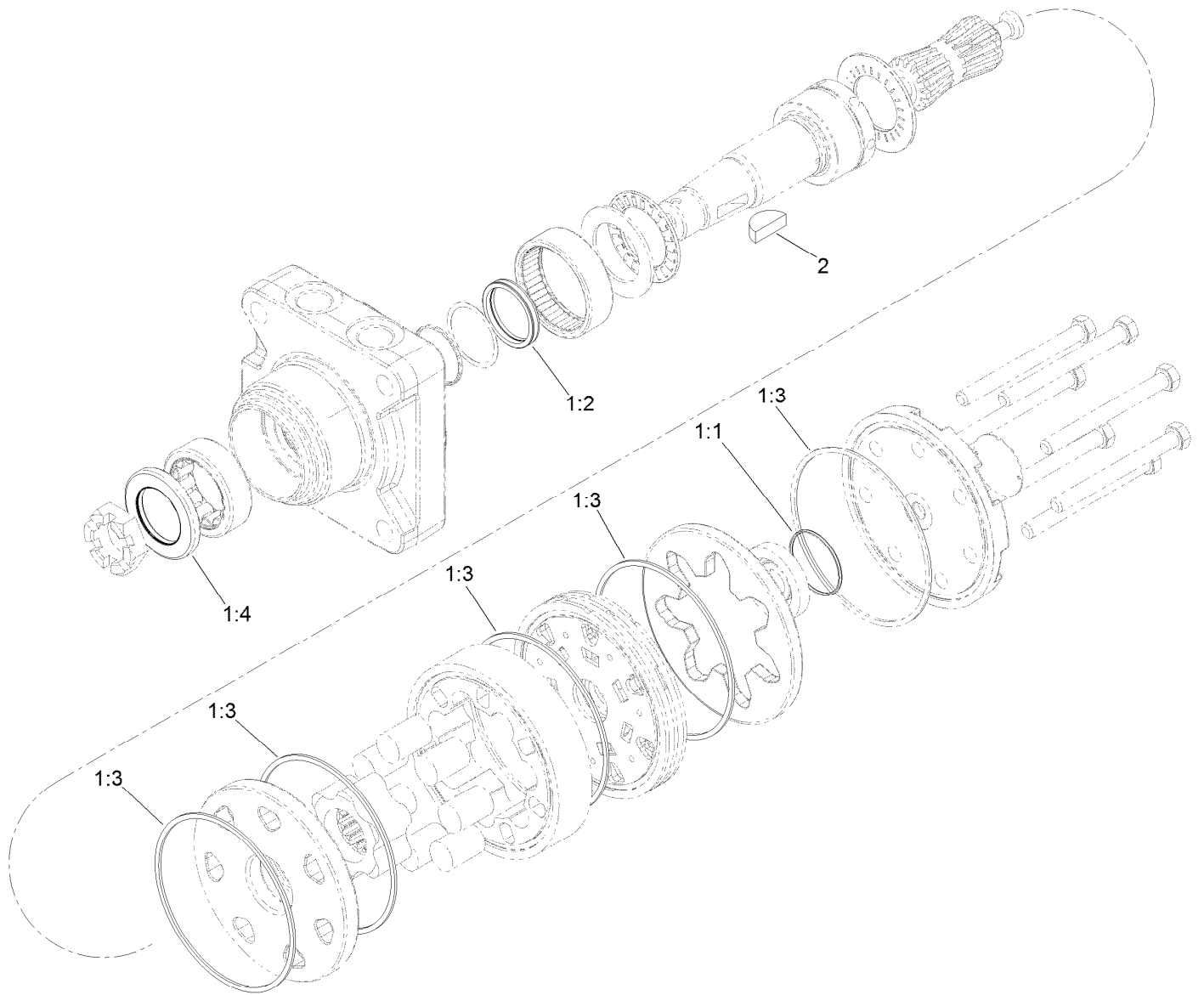
Ref.	Part Number	Qty.	Description
1	139-5950	1	Brake Shoe Kit
2	108-6983	1	Brake Hardware Kit
3	120-0234	1	RH Actuator Kit
3:1		1	Housing ●
3:2		1	Lever-RH ●
3:3		1	Pin-Pivot ●
3:4		1	E-Ring ●
4	110-8885	1	Dust Boot Kit
4:1		1	Boot ●
4:2		1	Plate-Back Up ●
4:3		2	Rivet ●

● Not serviced separately



Hydraulic Drive Assembly

Ref.	Part Number	Qty.	Description	Ref.	Part Number	Qty.	Description
1	140-3142	1	Link-Drag, RH	15	137-2592	2	Wheel ASM
2	140-3144	1	Link-Drag, LH	15:1	137-2596	1	Tire
3	161-5128	2	Housing-Motor	15:2	137-2597	1	Rim
4	138-0435	1	Motor-Hydraulic, CCW	15:3	232-27	1	Stem-Valve
5	138-0436	1	Motor-Hydraulic, CW	16	144-3929	2	Hose ASM, Hydraulic
6	137-2479	1	Motor-Hydraulic, CW	17	144-3928	2	Hose ASM, Hydraulic
7	137-2459	1	Motor-Hydraulic, CCW	18	138-0334	1	Hydraulic Tube ASM
8	3234-38	6	Screw-HHF	18:1	237-65	1	O-Ring
9	3234-46	8	Screw-HHF	19	138-0335	1	Hydraulic Tube ASM
10	18-3209	2	Wheel Hub/Stud ASM	19:1	237-65	1	O-Ring
10:1	10-6870-03	1	Hub-Wheel	20	145-6069	1	Hydraulic Tube ASM
10:2	10-6830	4	Stud-Type, Drive	20:1	237-65	1	O-Ring
11	116-1399	2	Locknut	21	145-6071	1	Hydraulic Tube ASM
12	139-2564	8	Nut-Lug	21:1	237-65	1	O-Ring
13	340-105	2	Fitting-Elbow, 90 DEG	22	340-74	4	Nut-Lock, Bulkhead
13:1	237-80	1	O-Ring	23	340-6	2	Fitting-Straight
13:2	237-30	1	O-Ring	23:1	237-30	1	O-Ring
14	137-2593	2	Wheel ASM	23:2	237-80	1	O-Ring
14:1	137-2595	1	Rim	31	145-6080	1	Manifold Steering/Lift-4Wd
14:2	137-2581	1	Tire	32	86-3010	1	Filter-Oil
14:3	232-27	1	Stem-Valve	33	3234-1	3	Screw-HHF

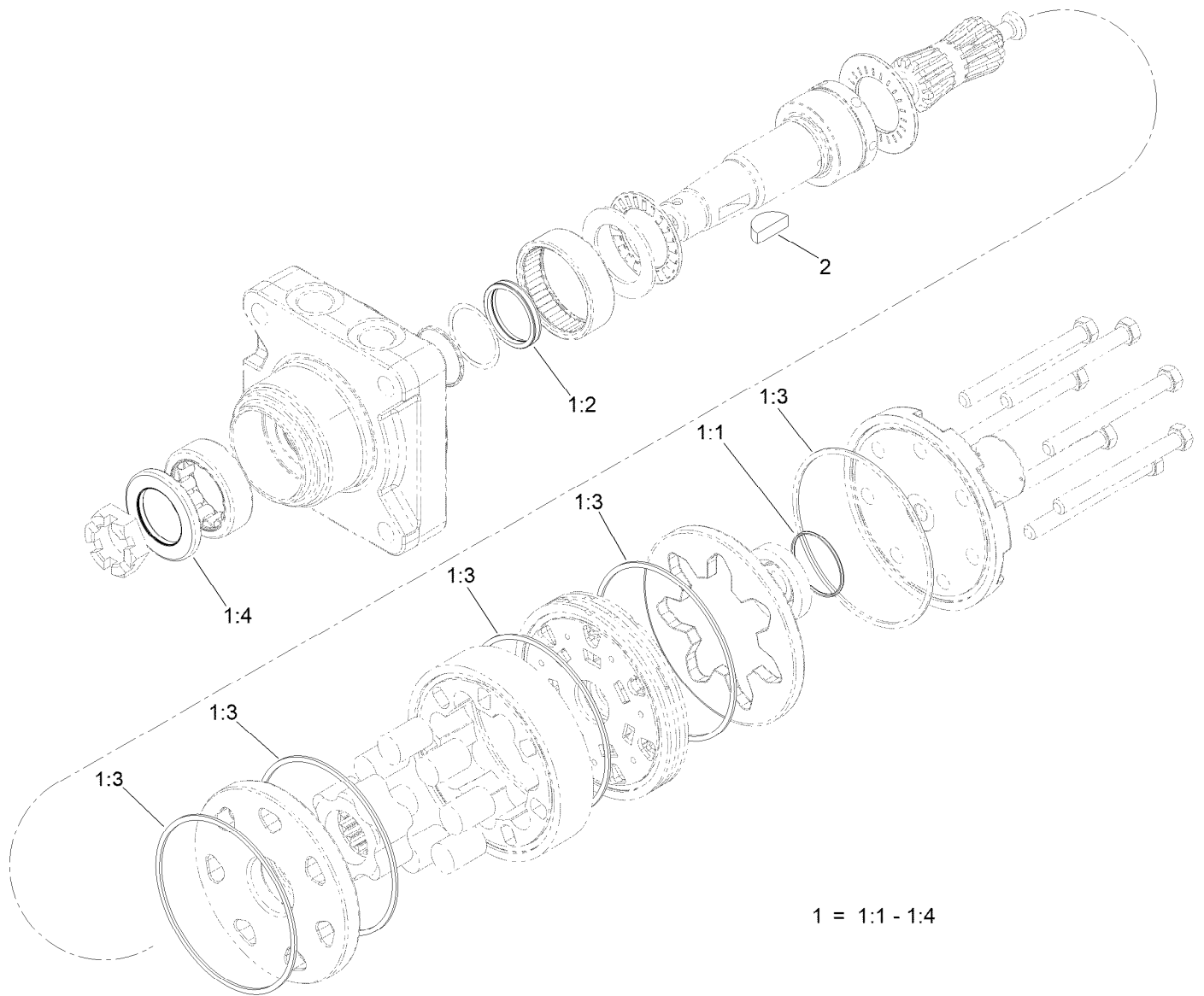


Hydraulic Motor Assembly No. 138-0435

<i>Ref.</i>	<i>Part Number</i>	<i>Qty.</i>	<i>Description</i>
1	110-8897	1	Seal Kit ●
1:1		1	Seal-Commutator, Vespel ■
1:2		1	Seal-Shaft ■
1:3		5	Seal-Body, Buna ■
1:4		1	Seal-Dirt / Water ■
2	3257-42	1	Key-Woodruff

● Not illustrated

■ Not serviced separately

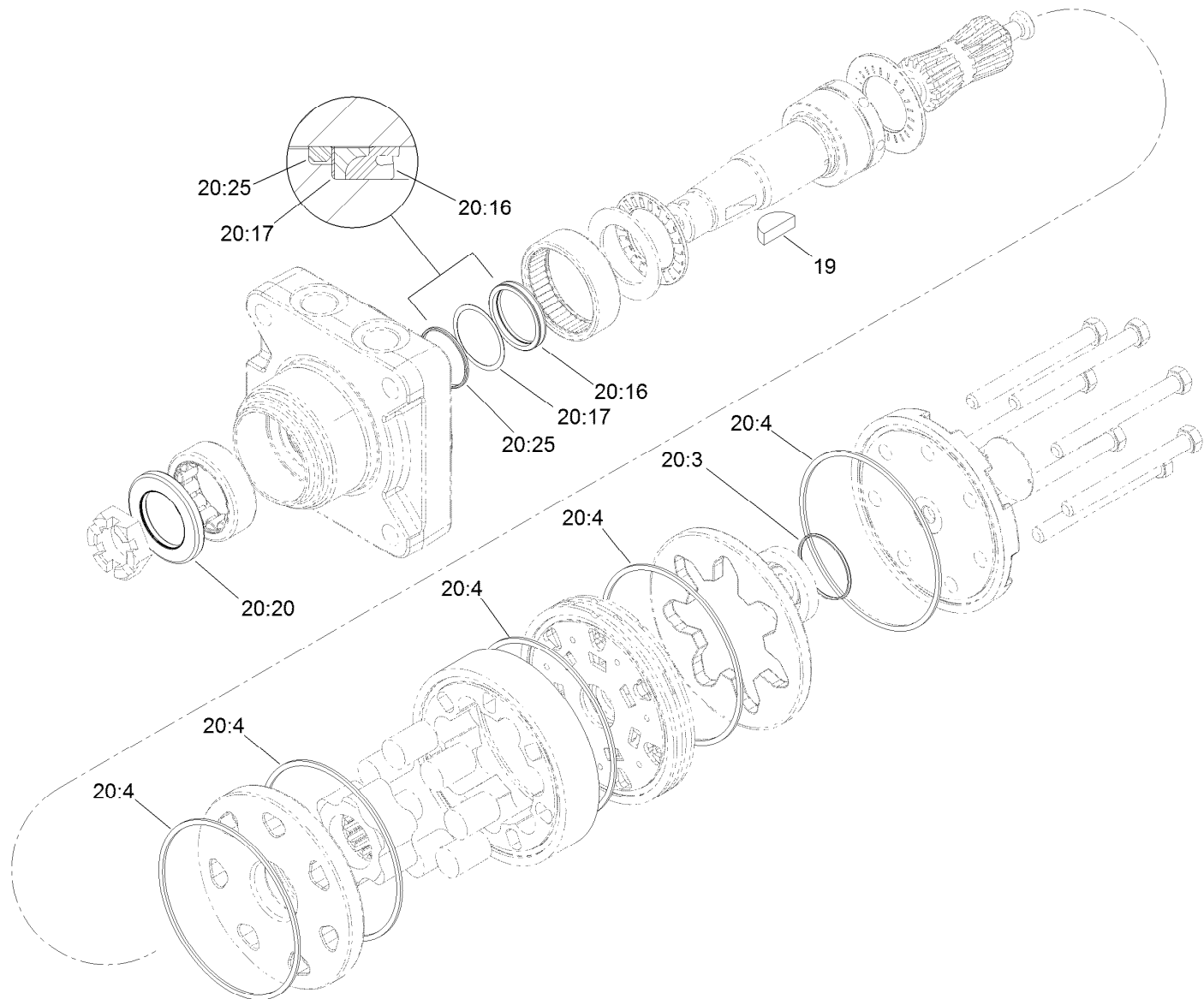


Hydraulic Motor Assembly No. 138-0436

Ref.	Part Number	Qty.	Description
1	110-8897	1	Seal Kit ●
1:1		1	Seal-Commutator, Vespel ■
1:2		1	Seal-Shaft ■
1:3		5	Seal-Body, Buna ■
1:4		1	Seal-Dirt / Water ■
2	3257-42	1	Key-Woodruff

● Not illustrated

■ Not serviced separately

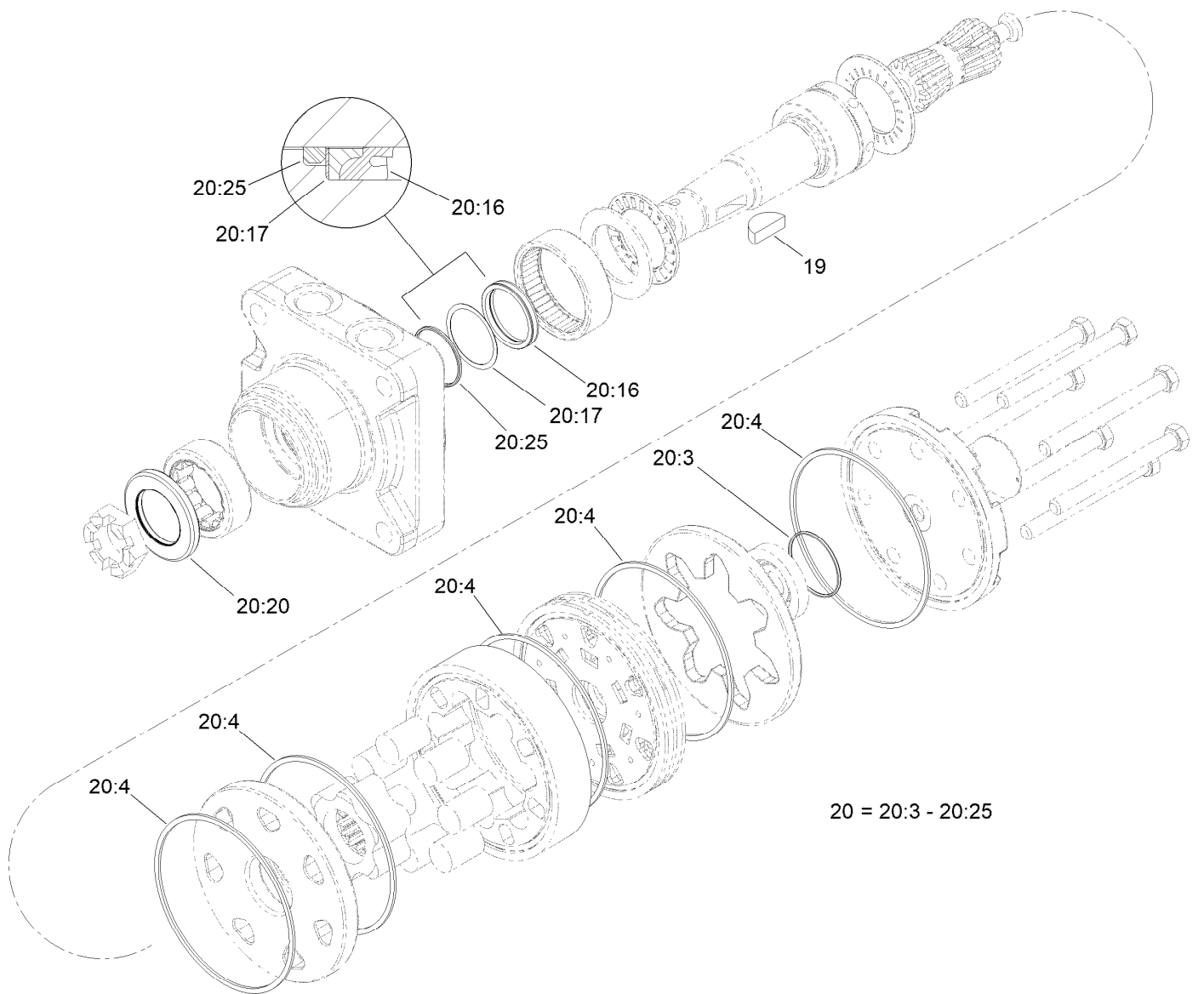


Hydraulic Motor Assembly No. 137-2479

<i>Ref.</i>	<i>Part Number</i>	<i>Qty.</i>	<i>Description</i>
19	3257-42	1	Key-Woodruff
20	110-8896	1	Seal Kit ●
20:3		1	Seal-Commutator, Vespel ■
20:4		6	Seal-Body, Buna ■
20:16		1	Seal-Shaft ■
20:17		1	Washer-Back Up ■
20:20		1	Seal-Dirt/Water ■
20:25		1	Ring-Back Up ■

● Not illustrated

■ Not serviced separately



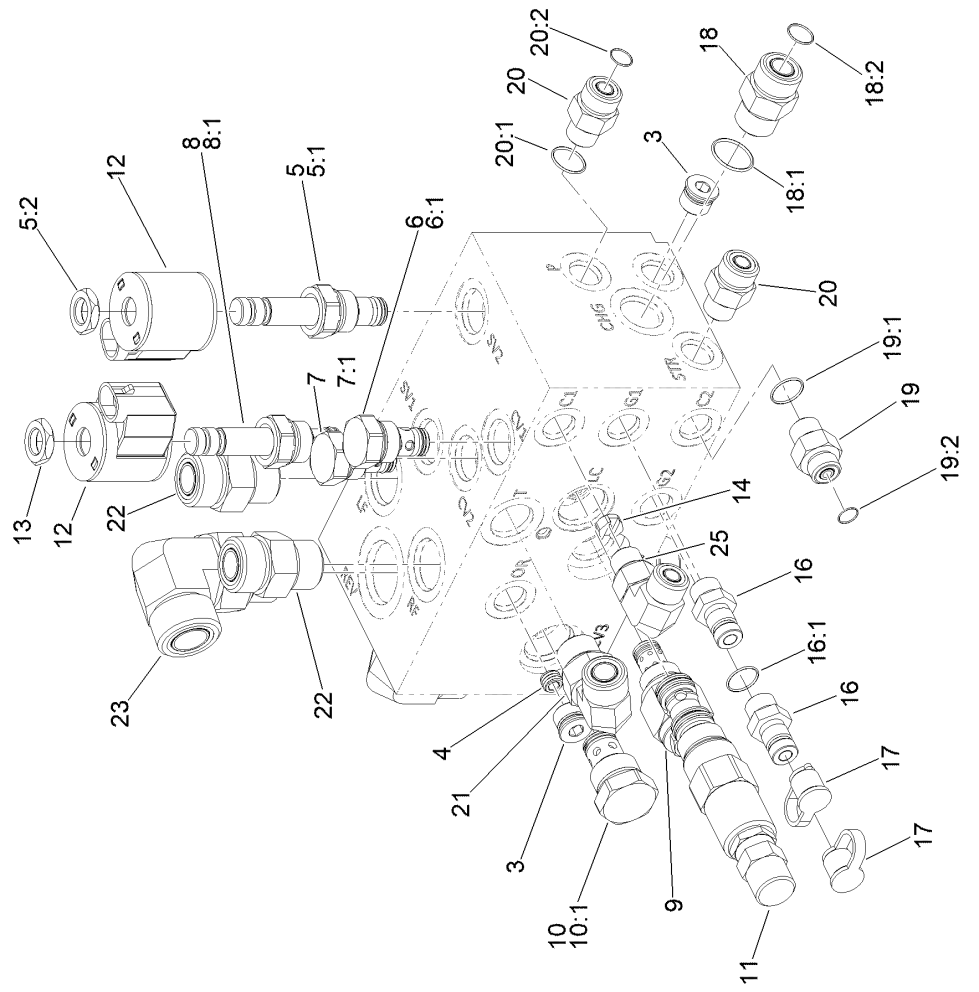
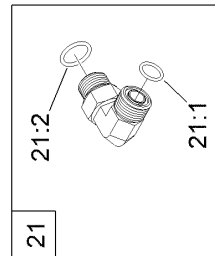
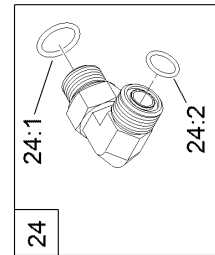
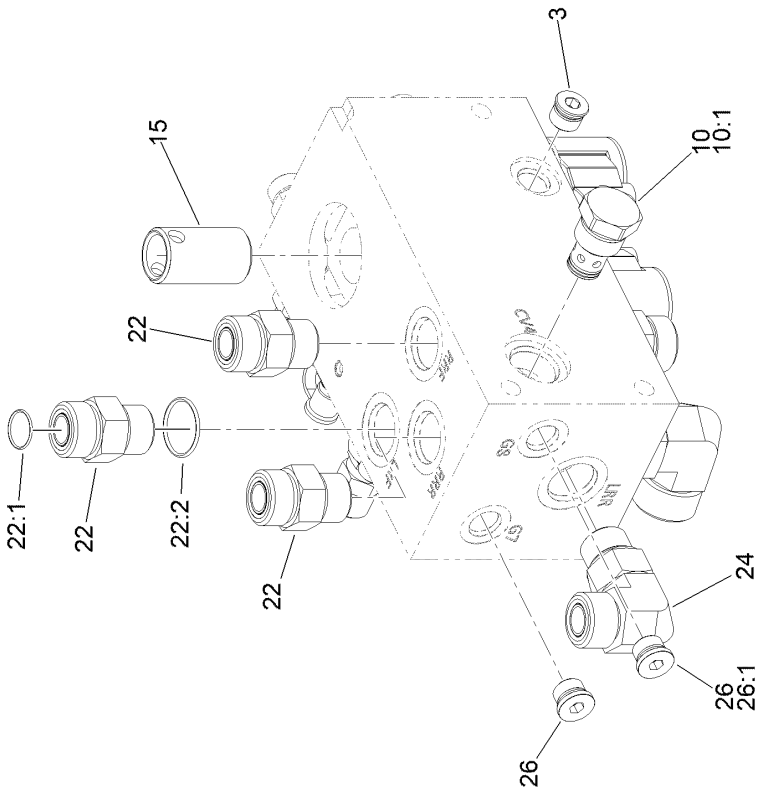
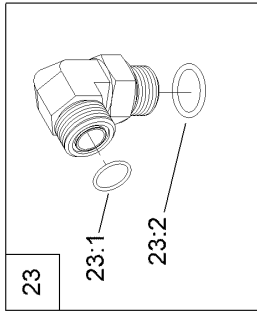
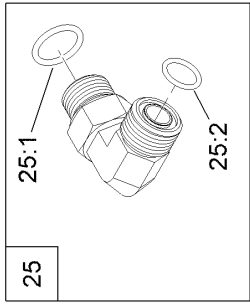
Hydraulic Motor Assembly No. 137-2459

Ref.	Part Number	Qty.	Description
19	3257-42	1	Key-Woodruff
20	110-8896	1	Seal Kit ●
20:3		1	Seal-Commutator, Vespel ■
20:4		6	Seal-Body, Buna ■
20:16		1	Seal-Shaft ■
20:17		1	Washer-Back Up ■
20:20		1	Seal-Dirt/Water ■
20:25		1	Ring-Back Up ■

● Not illustrated

■ Not serviced separately

Steering/Lift Manifold Assembly No. 145-6080

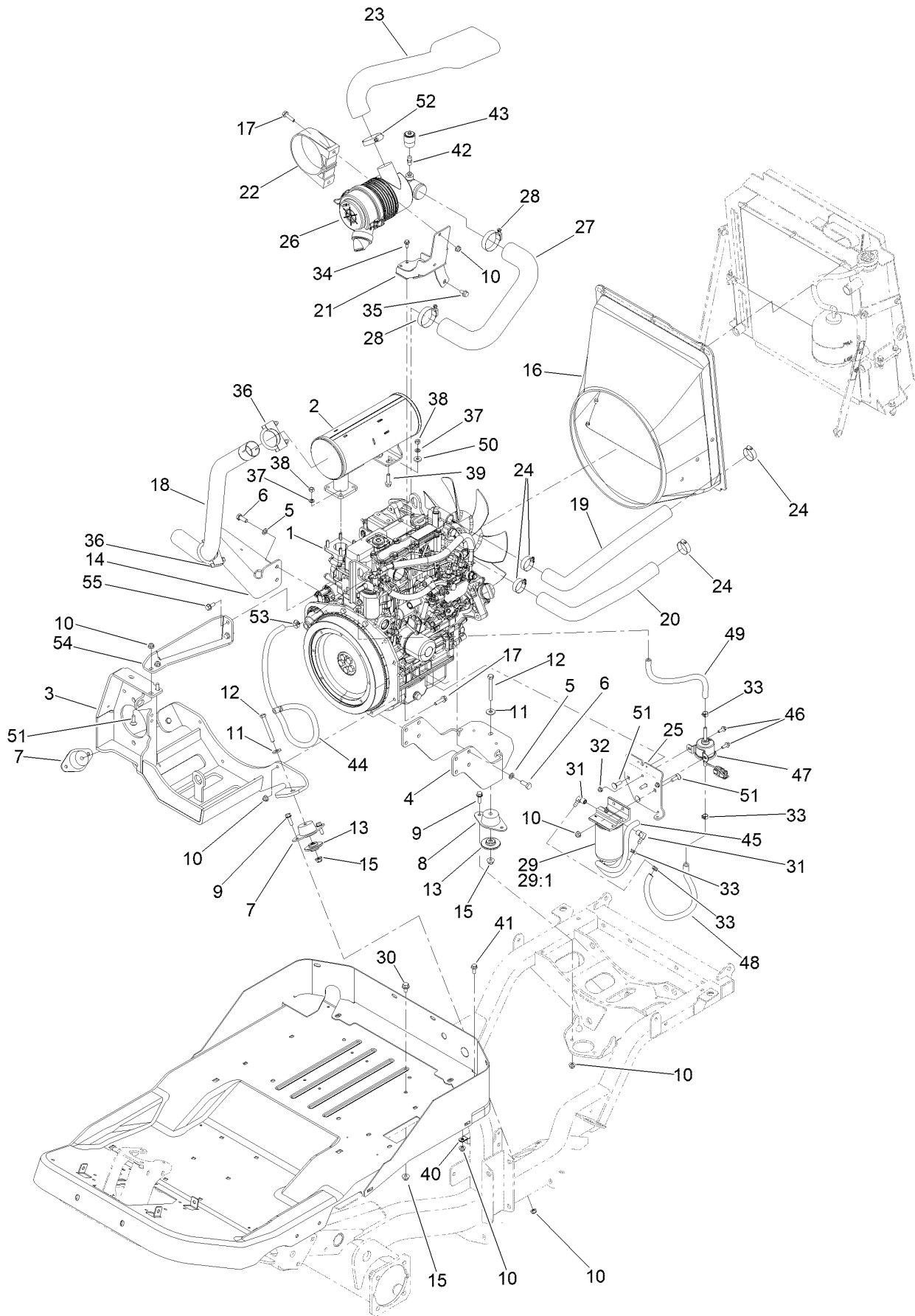


Steering/Lift Manifold Assembly No. 145-6080 (continued)

<i>Ref.</i>	<i>Part Number</i>	<i>Qty.</i>	<i>Description</i>	<i>Ref.</i>	<i>Part Number</i>	<i>Qty.</i>	<i>Description</i>
3	112-9213	3	Plug	18:2	237-79	1	O-Ring
4	110-8883	1	Plug-Orifice (0.040)	19	340-1	1	Fitting-Straight
5	112-9206	1	Solenoid Valve ASM	19:1	237-21	1	O-Ring
5:1	105-9156	1	Seal Kit	19:2	237-42	1	O-Ring
5:2	110-2634	1	Nut-Coil	20	340-2	2	Fitting-Straight
6	114-2873	1	Check Valve ASM	20:1	237-22	1	O-Ring
6:1	105-9156	1	Seal Kit	20:2	237-42	1	O-Ring
7	139-1213	1	Valve-Check	21	340-98	1	Fitting-Elbow, 90 DEG
7:1	105-9156	1	Seal Kit	21:1	237-79	1	O-Ring
8	120-6562	1	Valve-Solenoid	21:2	237-30	1	O-Ring
8:1	105-9156	1	Seal Kit	22	340-7	5	Fitting-Straight
9	139-6298	1	Valve-Relief (Bi-Directional)	22:1	237-65	1	O-Ring
10	110-8881	2	Valve-Check	22:2	237-80	1	O-Ring
10:1	105-9159	1	Seal Kit ●	23	340-142	1	Fitting-Elbow, 90 DEG
11	144-0501	1	Valve-Logic, 220 PSI (Adjustable)	23:1	237-58	1	O-Ring
12	110-0497	2	Coil-Solenoid	23:2	237-81	1	O-Ring
13	110-2634	2	Nut-Coil	24	340-17	1	Fitting-Elbow, 90 DEG
14	139-6296	1	Orifice-Check 0.100 DIA	24:1	237-65	1	O-Ring
15	139-6297	1	Nipple-Filter	24:2	237-80	1	O-Ring
16	59-7410	2	Fitting-Diagnostic	25	340-77	1	Fitting-Elbow, 90 DEG
16:1	237-42	1	O-Ring	25:1	237-22	1	O-Ring
17	354-79	2	Cap-Dust	25:2	237-42	1	O-Ring
18	340-4	1	Fitting-Straight	26	353-989	2	Plug-Hex, Hollow
18:1	237-30	1	O-Ring	26:1	237-42	1	O-Ring

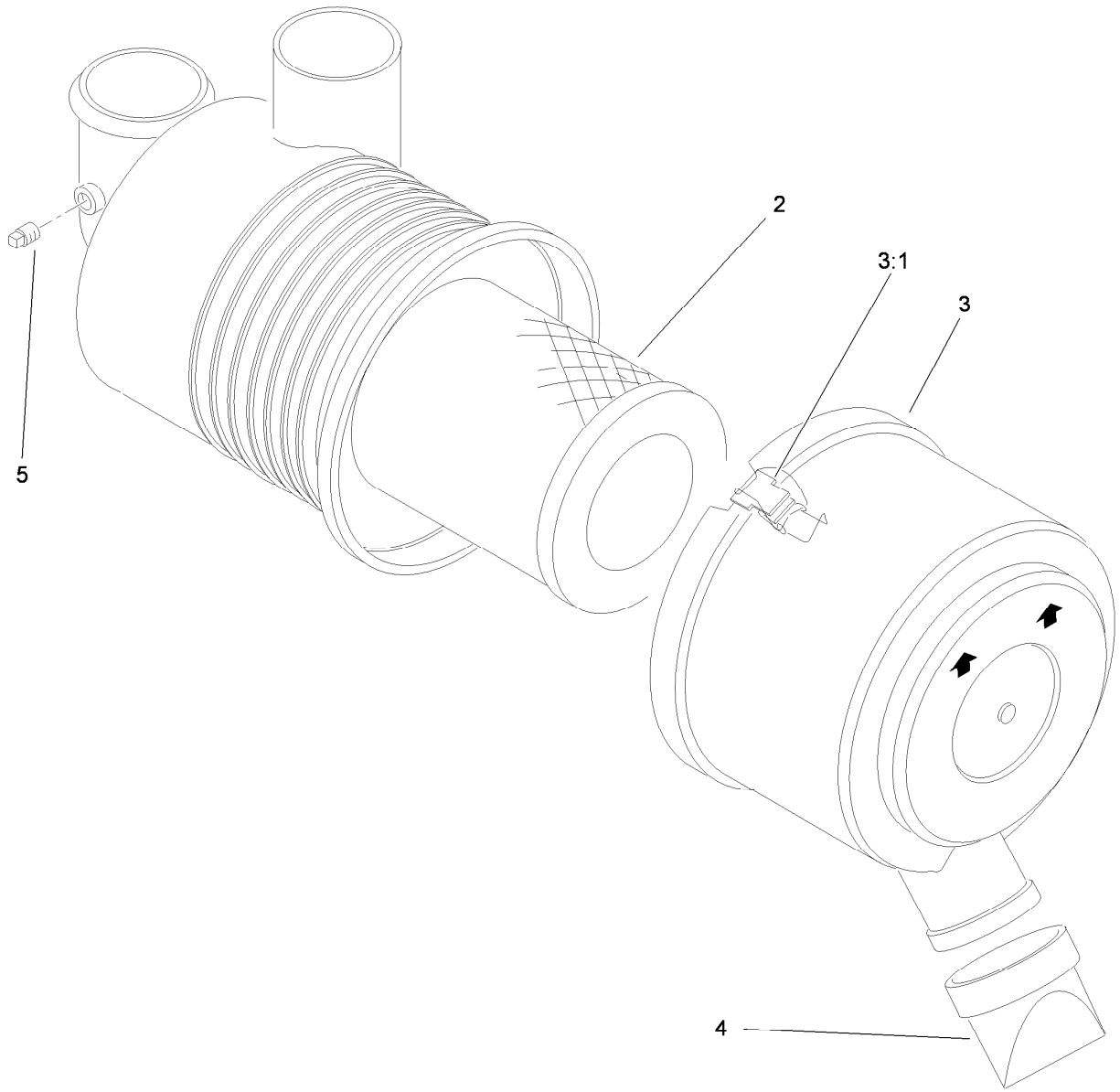
● Not illustrated

Engine, Muffler and Air Cleaner Assembly



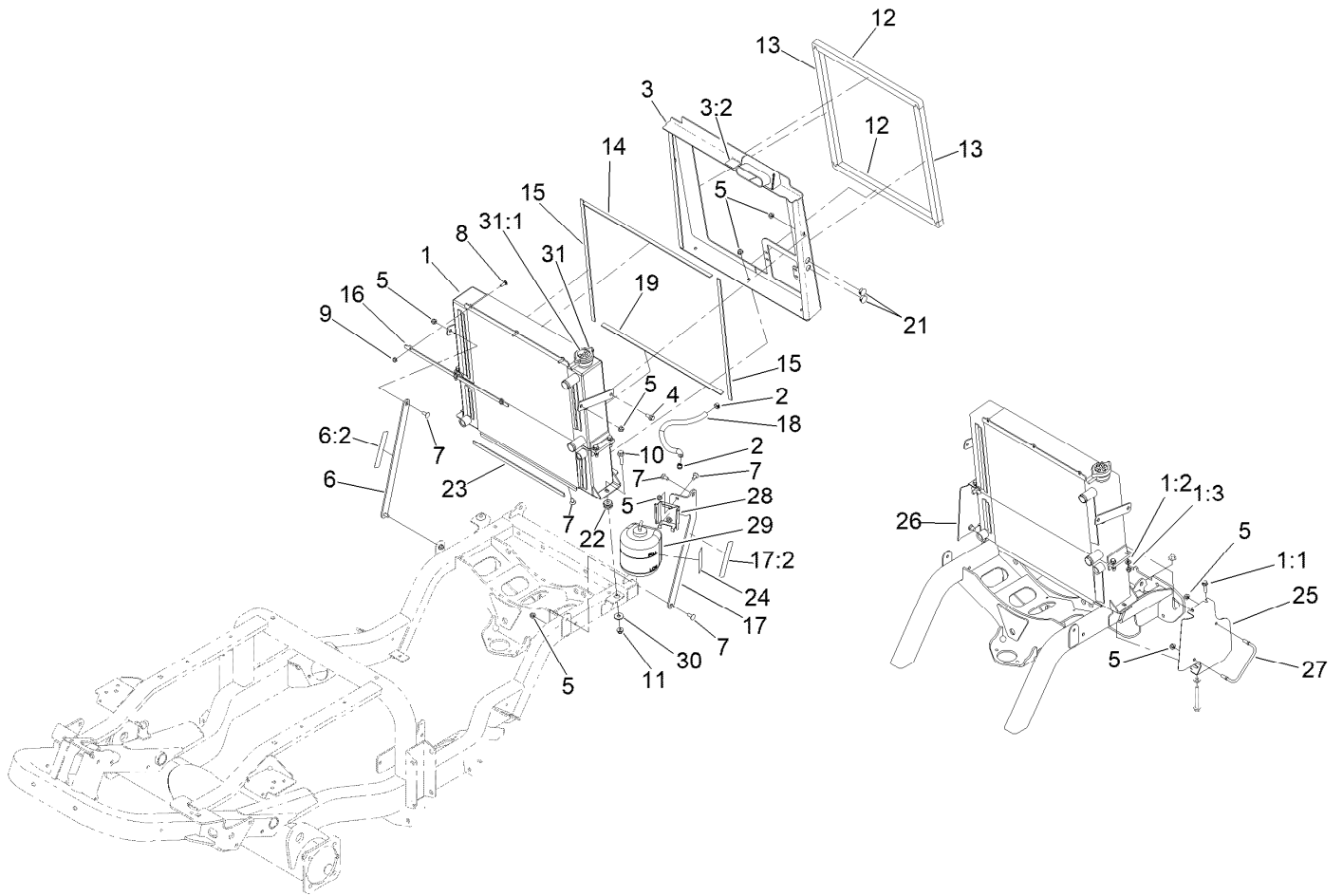
Engine, Muffler and Air Cleaner Assembly (continued)

<i>Ref.</i>	<i>Part Number</i>	<i>Qty.</i>	<i>Description</i>	<i>Ref.</i>	<i>Part Number</i>	<i>Qty.</i>	<i>Description</i>
1	139-6182	1	Engine-Yanmar 3Tnv80F-Nxdtr	28	2412-92	2	Clamp-Hose
2	139-6269	1	Muffler ASM	29	110-9044	1	Separator-Filter
3	145-5951-0P	1	Bracket-Mount, Pump	29:1	110-9049	1	Filter-Spin On, Fuel/Water
4	138-0424-0P	1	Mount-Engine, Rear 24HP	30	3234-9	1	Screw-HHF
5	48-9590	8	Washer-Lock	31	353-781	2	Fitting-HYD, 90
6	33115-025	8	Screw-HH	32	104-7201	2	Nut-HF, NI
7	139-0856	2	Mount-Engine	33	92-2379	4	Clamp-Hose
8	125-5244	1	Mount-Engine	34	33103-016	3	Screw-HHF
9	3234-29	6	Screw-HHF	35	33104-016	1	Screw-HHF
10	119-4041	19	Nut-HF	36	18-2130	2	Clamp
11	80-6990	3	Washer-Hardened	37	3253-4	6	Washer-Lock
12	323-14	3	Screw-HH	38	33014-00	6	Nut-Hex
13	138-6462	3	Support-Isolator	39	33104-030	2	Screw-HHF
14	144-0515-03	1	Support-Tailpipe	40	120-1959	1	Clamp
15	119-4042	4	Nut-HF, NI	41	3234-47	1	Screw-HHF
16	139-6279	1	Shroud - Fan ASM	42	94-1416	1	Adapter-Indicator
17	3234-36	6	Screw-HHF	43	93-9164	1	Indicator-Mini
18	144-0570	1	Pipe-Exhaust	44	132-7563	1	Hose-Fuel
19	138-4493	1	Hose-Radiator, Upper	45	110-4112	1	Hose-Fuel
20	138-4494	1	Hose-Radiator, Lower	46	3234-4	2	Screw-HHF
21	138-4486-0P	1	Bracket-Air Cleaner	47	121-5613	1	Pump-Fuel, Electric
22	95-5806	1	Bracket-Mounting, Air Cleaner	48	110-4101	1	Hose-Fuel
23	138-4460	1	Hose-Intake, Air Cleaner	49	110-4104	1	Hose-Fuel
24	2412-34	4	Clamp-Hose	50	88-7200	2	Washer-Flat
25	138-4472-0P	1	Angle-Filter Mount	51	3230-2	6	Bolt-CARR
26	93-2190	1	Air Cleaner ASM	52	2412-130	1	Clamp-Hose
27	137-5881	1	Hose-Intake	53	2412-108	2	Clamp-Worm
				54	145-5958-0P	1	Strap-Mount, Pump
				55	33104-020	2	Screw-HHF



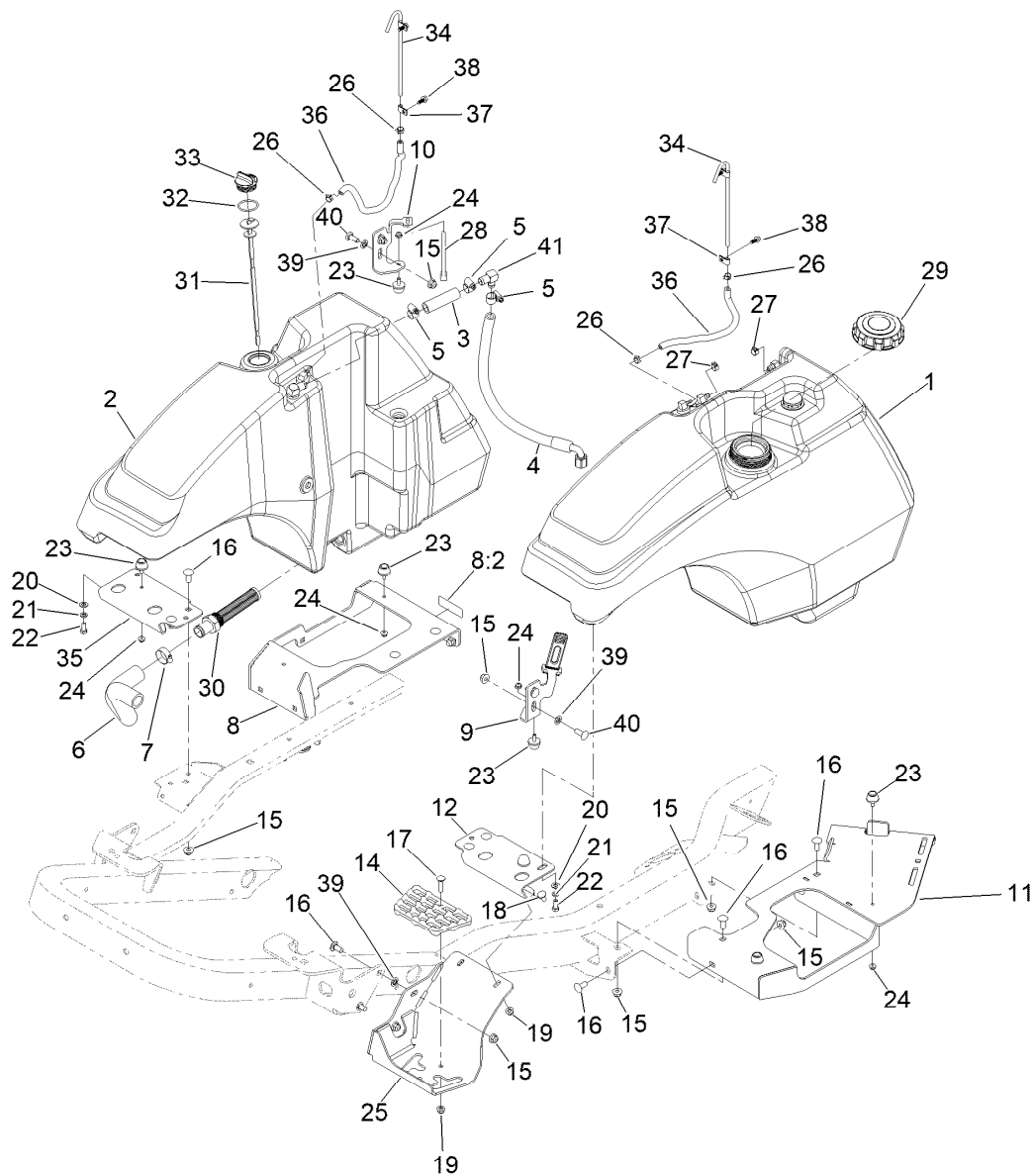
Air Cleaner Assembly No. 93-2190

<i>Ref.</i>	<i>Part Number</i>	<i>Qty.</i>	<i>Description</i>
2	108-3811	1	Filter-Air V-Twin HD
3	94-3652	1	Cover ASM
3:1	1-643283	2	Latch-Cleaner, Air
4	87-9400	1	Valve-Vacuator
5	285-17	1	Plug-Pipe



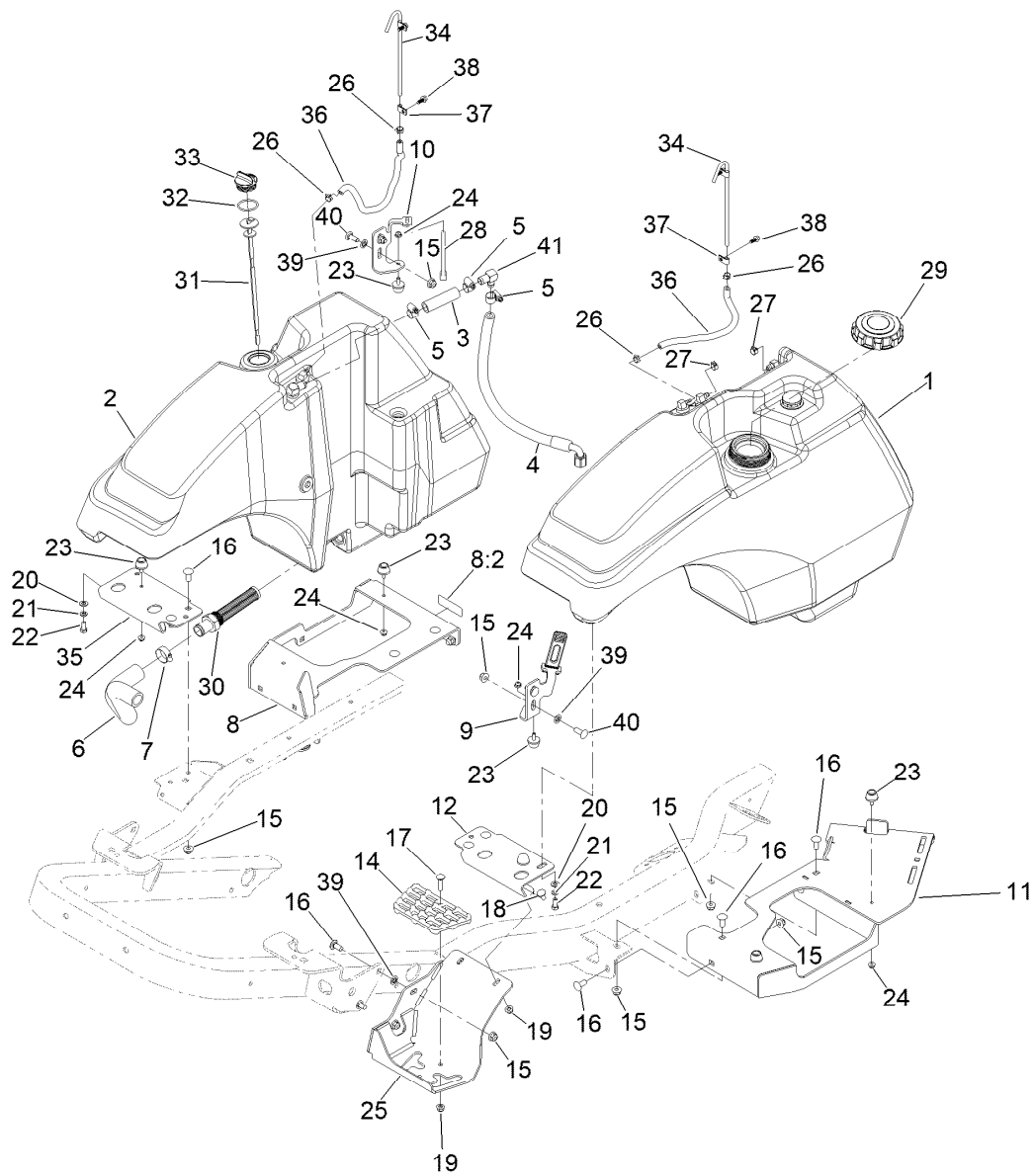
Radiator and Cooler Assembly

<i>Ref.</i>	<i>Part Number</i>	<i>Qty.</i>	<i>Description</i>	<i>Ref.</i>	<i>Part Number</i>	<i>Qty.</i>	<i>Description</i>
1	147-0062	1	Radiator/Oil Cooler ASM	15	138-4454	2	Foam-Radiator, Side
1:1	119-4036	4	Screw-HHF	16	138-4461-0P	1	Bracket-Shroud Retainer
1:2	3256-23	4	Washer-Plain	17	139-6230	1	Bracket-Bottle Mount
1:3	137-3093	4	Nut-Hex	17:2	93-7272	1	Decal-Warning
2	92-2379	2	Clamp-Hose	18	106-1126	1	Hose-Fuel
3	139-6232	1	Shroud-Cooler ASM	19	108-1393	1	Strip-Foam
3:2	115-8155	1	Decal-Warning	21	130-8439	2	Plug-Dome
4	3234-47	2	Screw-HHF	22	63-9750	2	Mount
5	119-4041	15	Nut-HF	23	130-9182	1	Foam-Radiator, Short
6	139-6229	1	Strap-Cooler	24	144-0472	1	Decal-Coolant Level
6:2	93-7272	1	Decal-Warning	25	163-1701-03	1	Bracket-Cooler Shroud LH
7	137-3061	9	Bolt-CARR	26	163-1702-03	1	Bracket-Cooler Shroud RH
8	1-807512	3	Bolt-CARR	27	144-3905	2	Guide-Hose
9	104-7201	3	Nut-HF, NI	28	140-7165	1	Bracket-Tank
10	114-4681	2	Screw-HHF	29	140-7185RT01	1	Tank ASM
11	119-4042	2	Nut-HF, NI	30	52-2861	2	Washer
12	138-4410	2	Seal-Foam	31	117-5138	1	Cap-Radiator
13	138-4411	2	Seal-Foam	31:1	117-3276	1	Decal-Danger
14	138-4453	1	Foam-Radiator				



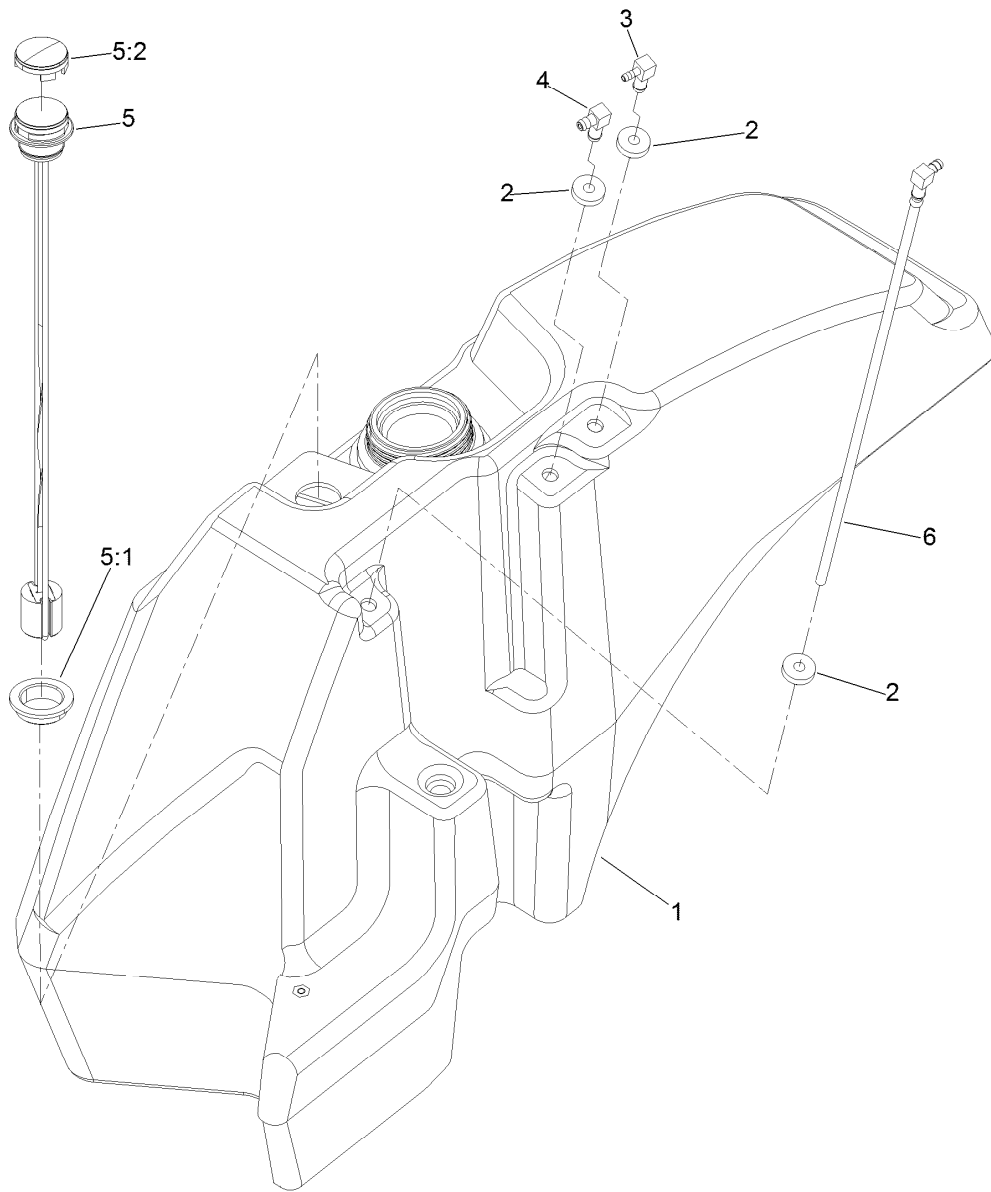
Fuel System Assembly

Ref.	Part Number	Qty.	Description	Ref.	Part Number	Qty.	Description
1	138-0291	1	Fuel Tank	19	119-4041	3	Nut-HF
2	138-4418	1	Hydraulics Tank ASM	20	3256-23	2	Washer-Plain
3	114-4920	1	Hose	21	3253-4	2	Washer-Lock
4	145-5933	1	Hose ASM-Hydraulic	22	322-3	2	Screw-HH
5	2412-119	3	Clamp-Hose	23	109-2365	8	Bumper-Rubber
6	138-7361	1	Hose-Suction	24	104-7201	8	Nut-HF, NI
7	2412-34	1	Clamp-Hose	25	139-0927-01	1	Bracket-Mount, Step
8	145-6099	1	Tank Support-Hydraulic	26	2412-98	4	Clamp-Hose
8:2	127-0392	1	Decal-Hot Surface	27	92-2379	2	Clamp-Hose
9	138-0441-03	1	Bracket-Tank Hold Down, LH	28	131-8402	2	Strap-Down, Hold
10	138-7315-03	1	Bracket-Tank Hold Down, RH	29	125-9171	1	Cap-Fuel
11	145-6031	1	Tank And Battery Tray ASM	30	138-7499	1	Fitting-Strainer
12	138-7365-03	1	Bracket-Tank Mount, Front LH	31	138-7388	1	Dipstick
14	126-4781	1	Step-Deck	32	94-8166	1	O-Ring
15	119-4042	19	Nut-HF, NI	33	93-7498	1	Plug-Plastic
16	3231-27	15	Screw-CARR	34	139-6252	2	Tube-Vent
17	3230-3	1	Screw-CARR	35	139-0940-03	1	Bracket-Tank Mount, Front RH
18	137-3061	2	Bolt-CARR	36	139-6253	2	Hose-Fuel
				37	2412-72	4	Clip-Closed, Insulated
				38	99-6810	4	Screw-HHF



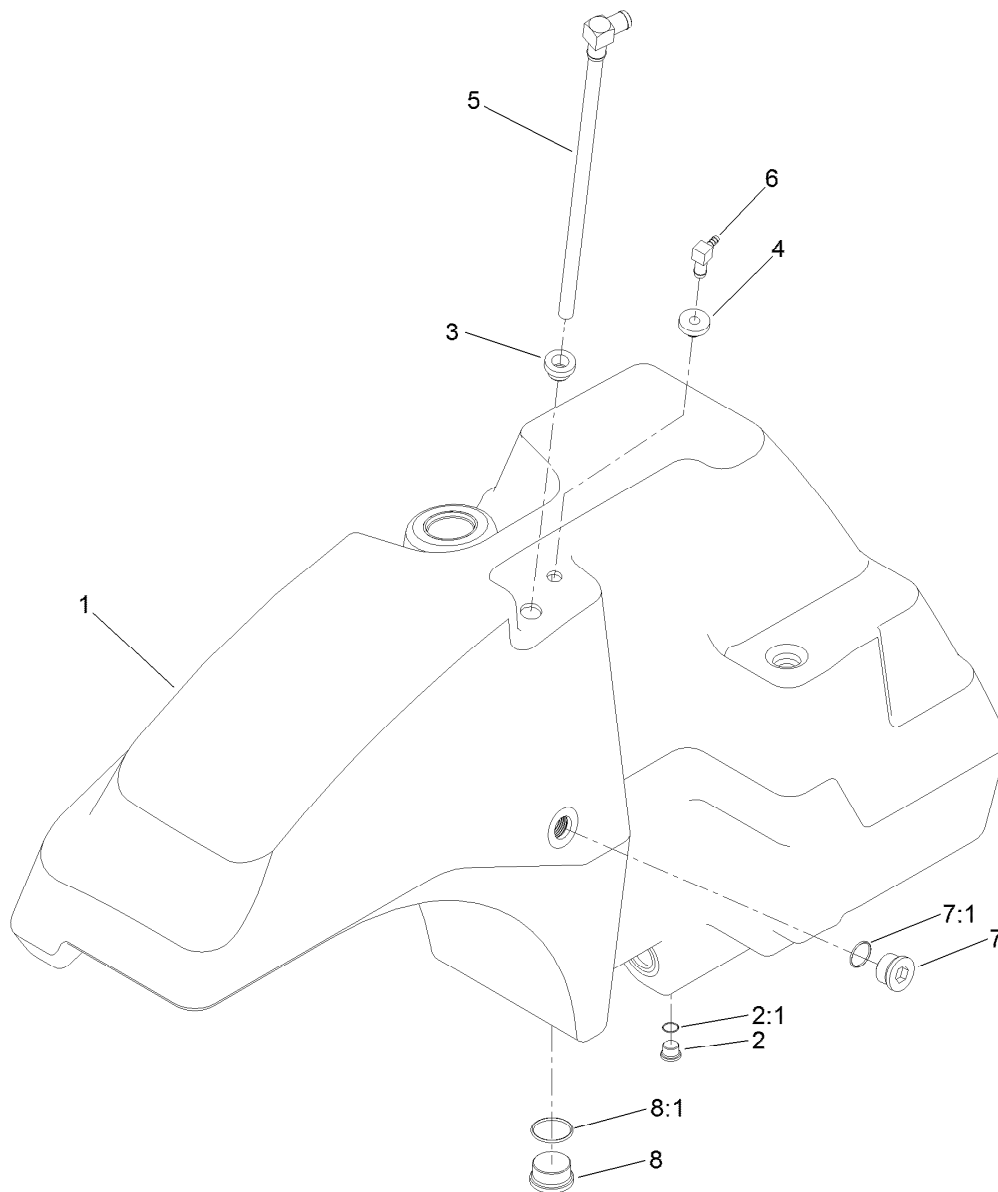
Fuel System Assembly (continued)

<i>Ref.</i>	<i>Part Number</i>	<i>Qty.</i>	<i>Description</i>	<i>Ref.</i>	<i>Part Number</i>	<i>Qty.</i>	<i>Description</i>
39	107-3154	6	Nut-Push	40	3231-22	4	Screw-CARR
				41	117-0943	1	Fitting-Elbow



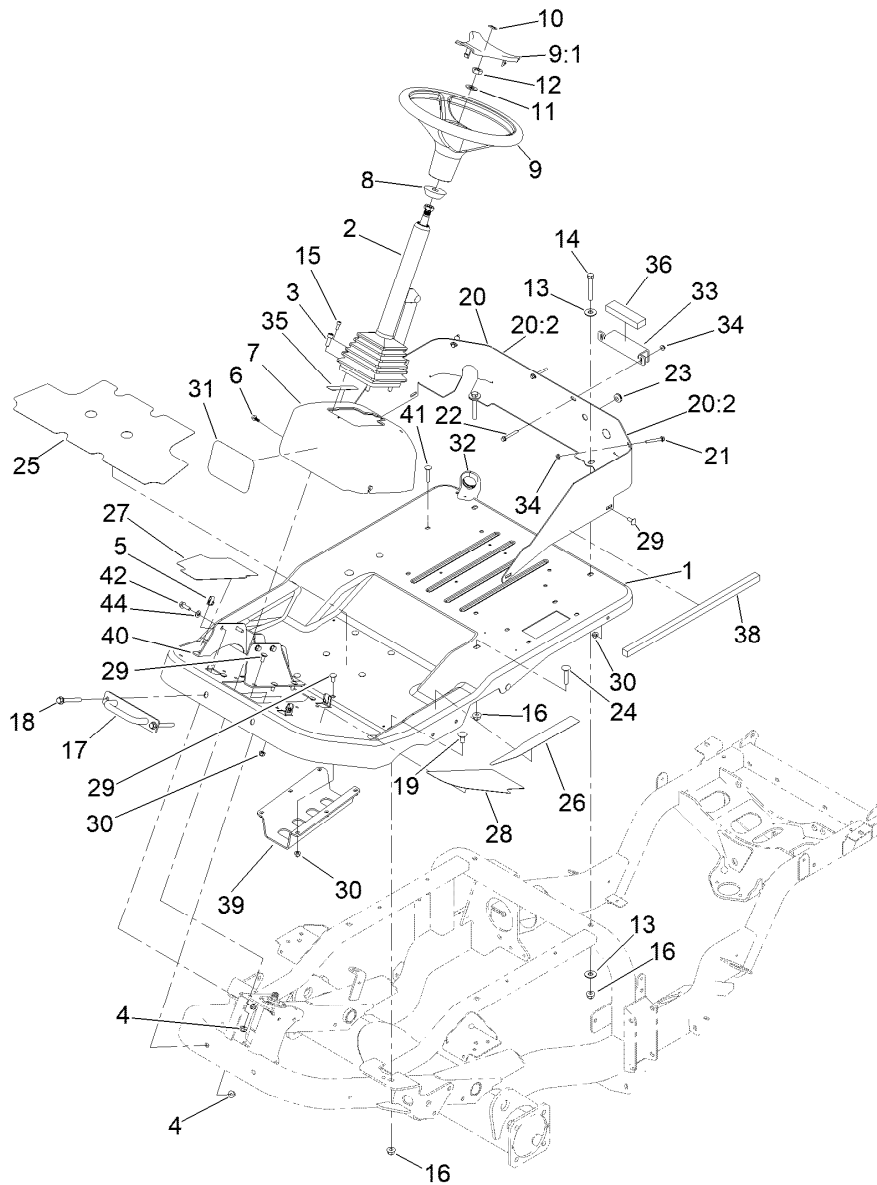
Fuel Tank Assembly No. 138-0291

<i>Ref.</i>	<i>Part Number</i>	<i>Qty.</i>	<i>Description</i>
1	138-7385	1	Fuel Tank W/Inserts ASM
2	46-6560	3	Bushing
3	104-5228	1	Fitting-Elbow, 90 DEG
4	46-6550	1	Fitting-Elbow, 90 DEG
5	139-0872	1	Gauge-Fuel
5:1	119-0508	1	Seal
5:2	117-8404	1	Dial-Gauge
6	138-7389	1	Pipe-Stand



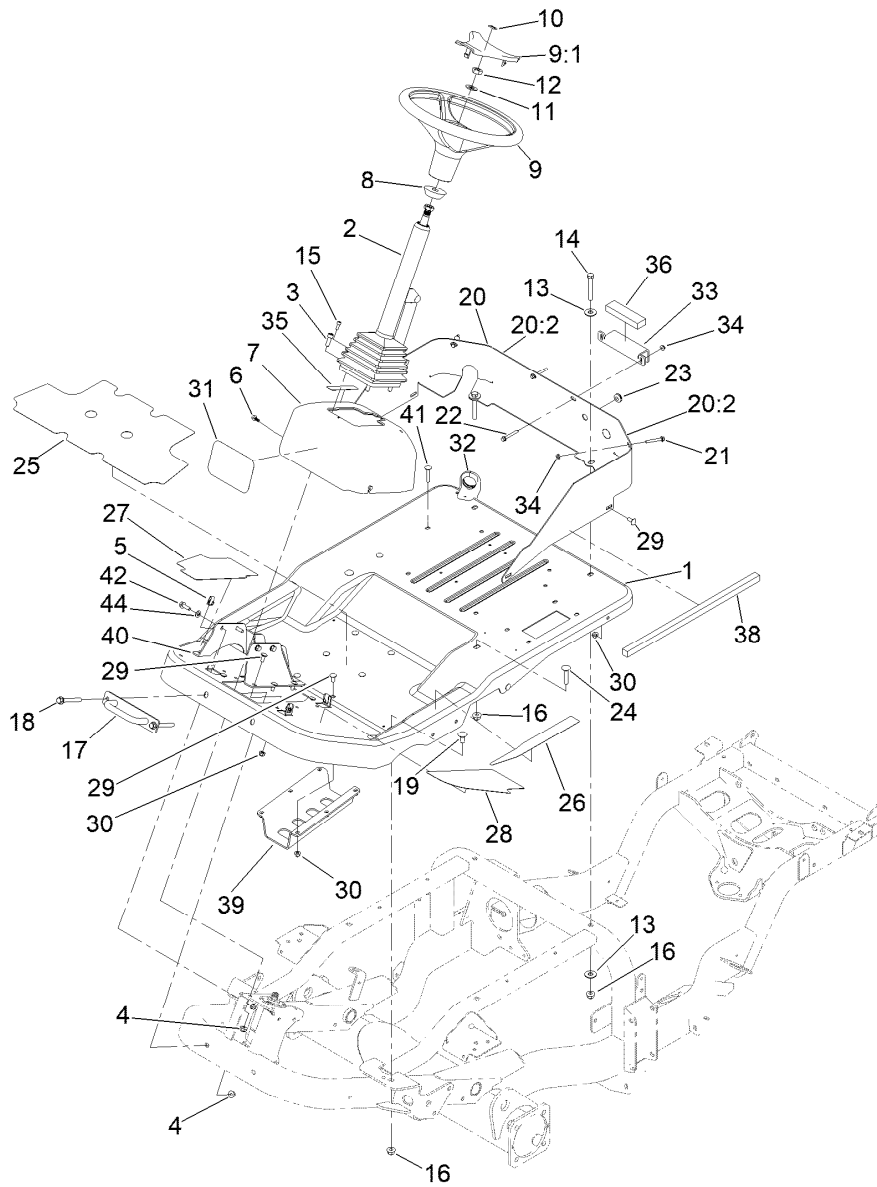
Hydraulic Tank Assembly No. 138-4418

<i>Ref.</i>	<i>Part Number</i>	<i>Qty.</i>	<i>Description</i>
1	138-7386	1	Tank-Hydraulic W/Inserts
2	353-989	1	Plug-Hex, Hollow
2:1	237-42	1	O-Ring
3	104-0790	1	Bushing
4	46-6560	1	Bushing
5	138-7384	1	Tube-Drop
6	104-5228	1	Fitting-Elbow, 90 DEG
7	139-6333	1	Fitting-Plug
7:1	237-81	1	O-Ring
8	105-3921	1	Fitting-Plug
8:1	237-146	1	O-Ring



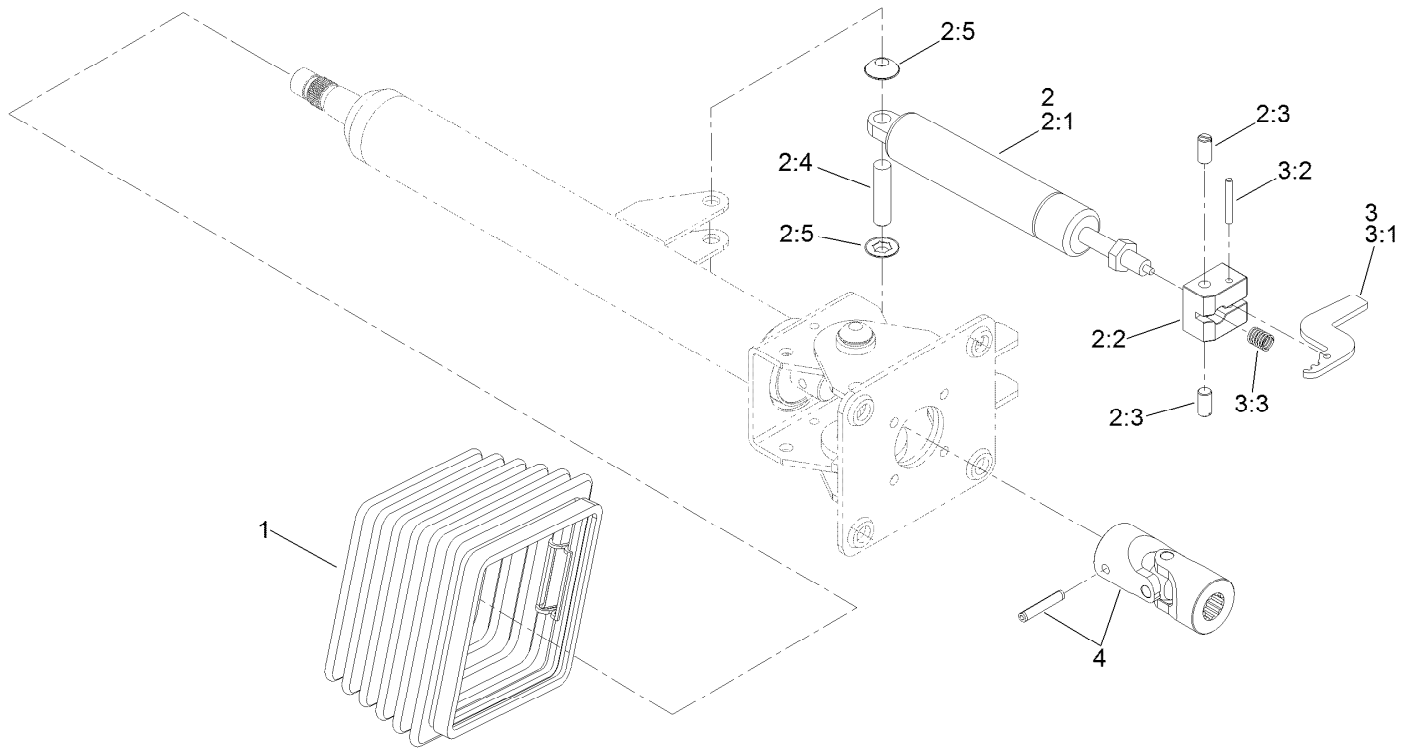
Platform, Steering and Console Assembly

Ref.	Part Number	Qty.	Description	Ref.	Part Number	Qty.	Description
1	144-4030SP	1	Platform-Stamped	20:2	132-1316	2	Decal-Danger, Belt
2	139-0857	1	Column-Steering, Tilt	21	125-4287	2	Screw-HHF
3	3274-7	4	Screw-HSH	22	3234-34	2	Screw-HHF
4	119-4042	6	Nut-HF, NI	23	1-633630	1	Grommet
5	107069	4	Clip	24	3232-5	2	Screw-CARR
6	99-6810	4	Screw-HHF	25	144-4029	1	Tread-Foot, Main
7	138-7494	1	Cover-Steering	26	139-0859	1	Tread-Foot, Side
8	93-5429	1	Collar-Foam	27	139-0885	1	Tread-Foot, Front RH
9	98-1471	1	Wheel-Steering	28	139-0886	1	Tread-Foot, Front LH
9:1	98-1468	1	Cover-Wheel, Steering	29	137-3061	15	Bolt-CARR
10	98-1459	1	Decal	30	119-4041	21	Nut-HF
11	3256-27	1	Washer-Flat	31	105-1217	1	Decal
12	3296-33	1	Nut-Lock, NI	32	144-0473	1	Plug-Harness, Firewall
13	3256-40	4	Washer-Flat	33	139-2166-0P	1	Bracket-Hood Support
14	324-12	2	Screw-HH	34	104-7201	4	Nut-HF, NI
15	105-2409	4	Screw-HSH	35	140-1460	1	Decal-Traction Pedal
16	114-8417	6	Nut-HF, NI	36	139-6202	1	Foam-Strip
17	138-0288	1	Bracket-Down, Tie	38	139-6207	1	Foam-Strip
18	3234-41	2	Screw-HHF	39	144-3954-03	1	Guard-Tubes, Hydraulic
19	3232-1	2	Screw-CARR	40	145-5983-0P	1	Bracket-Mount, Steering
20	144-0528	1	Plate-Firewall, Lower	41	116-0629	2	Screw-CARR



Platform, Steering and Console Assembly (continued)

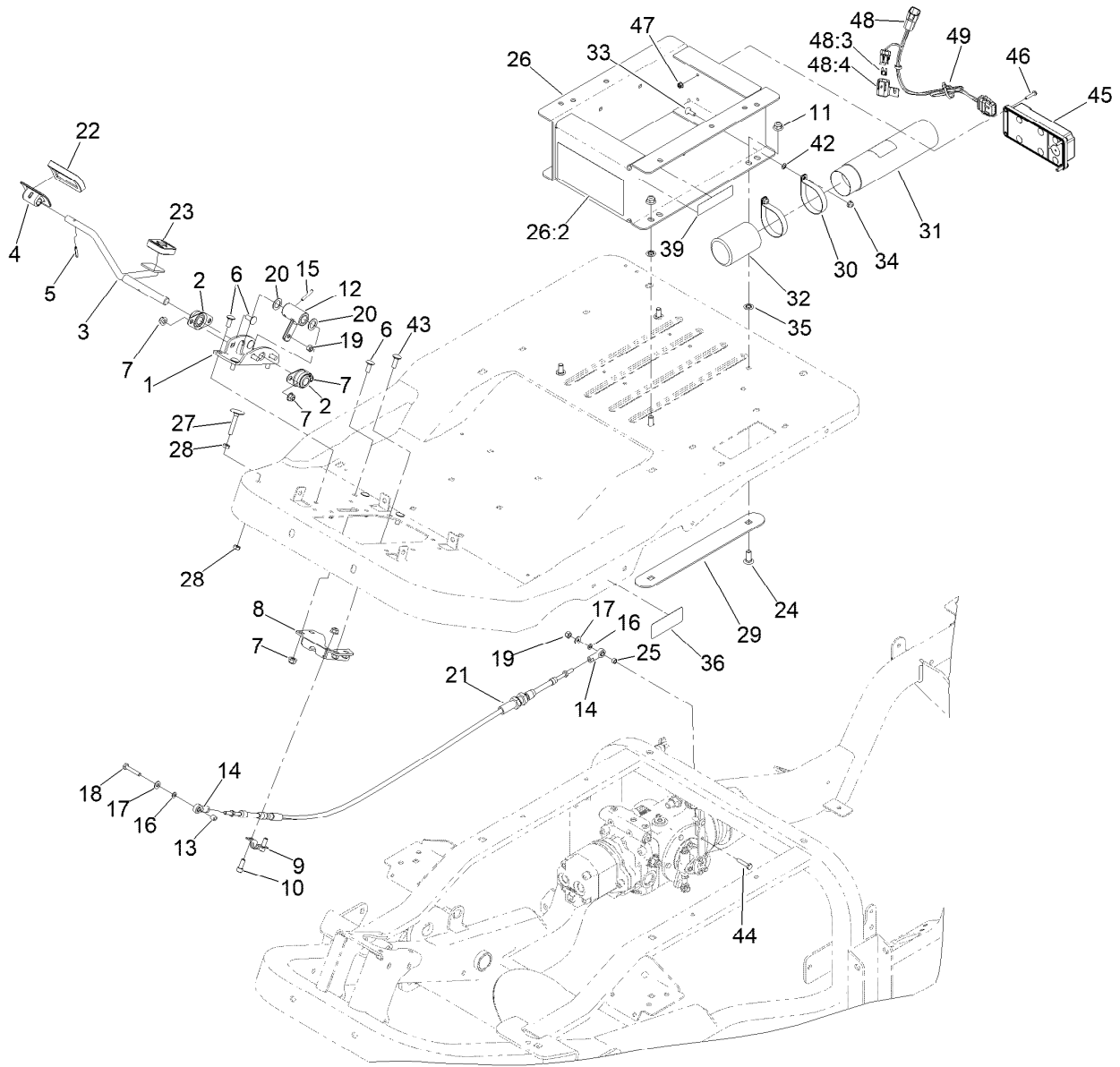
<i>Ref.</i>	<i>Part Number</i>	<i>Qty.</i>	<i>Description</i>
42	3234-29	4	Screw-HHF
44	3256-38	4	Washer-Flat



Steering Column Assembly No. 139-0857

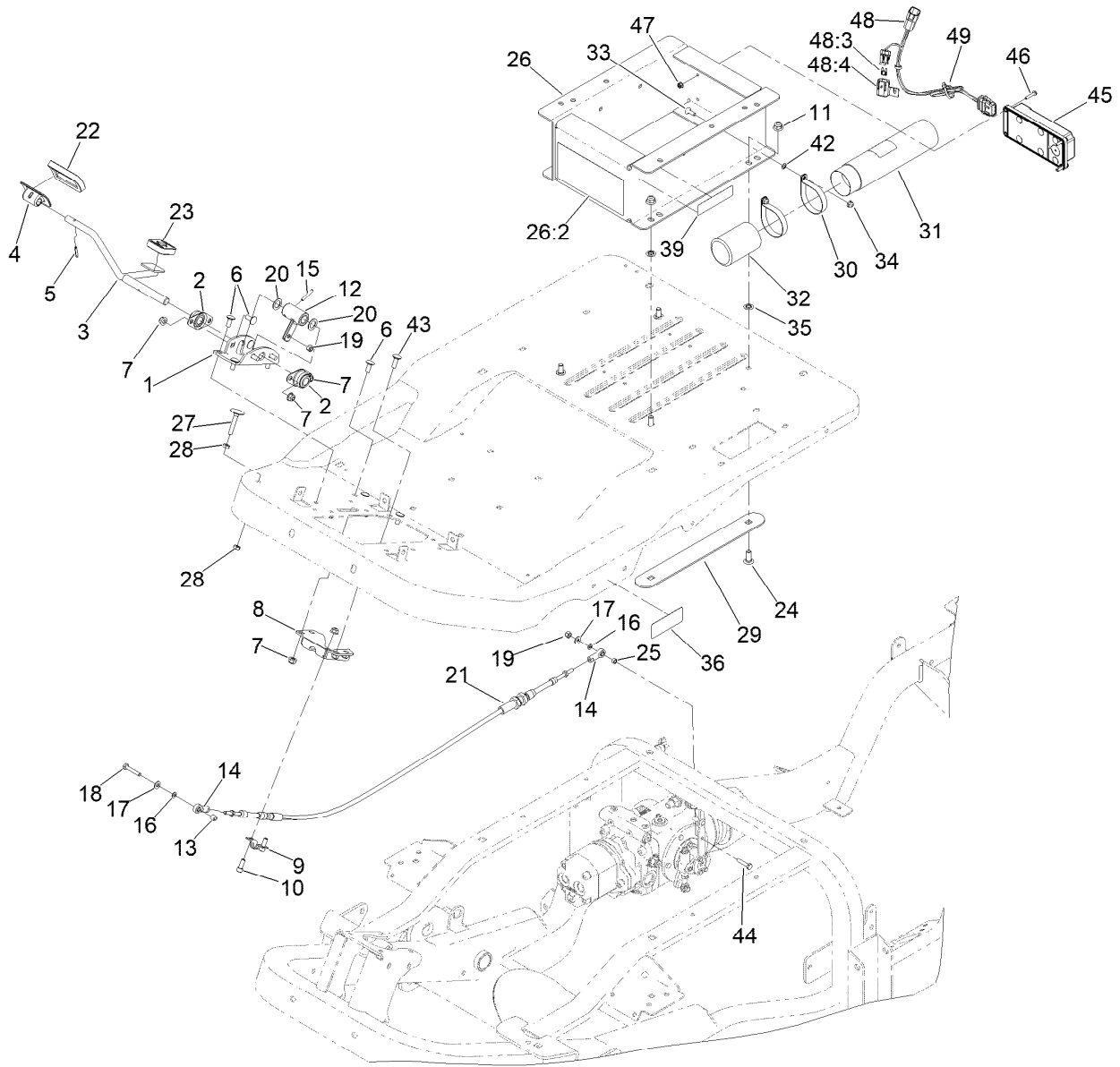
Ref.	Part Number	Qty.	Description
1	110-6462	1	Bellows-Rubber
2	110-6463	1	Cylinder Service Kit
2:1		1	Cylinder-Gas ●
2:2		1	Block-Pedal ●
2:3		2	Bolt ●
2:4		1	Pin ●
2:5		2	Washer-Lock ●
3	136-4385	1	Pedal Service Kit
3:1		1	Pedal ●
3:2		1	Pin ●
3:3		1	Spring ●
4	120-6256	1	Universal Joint Kit

● Not serviced separately



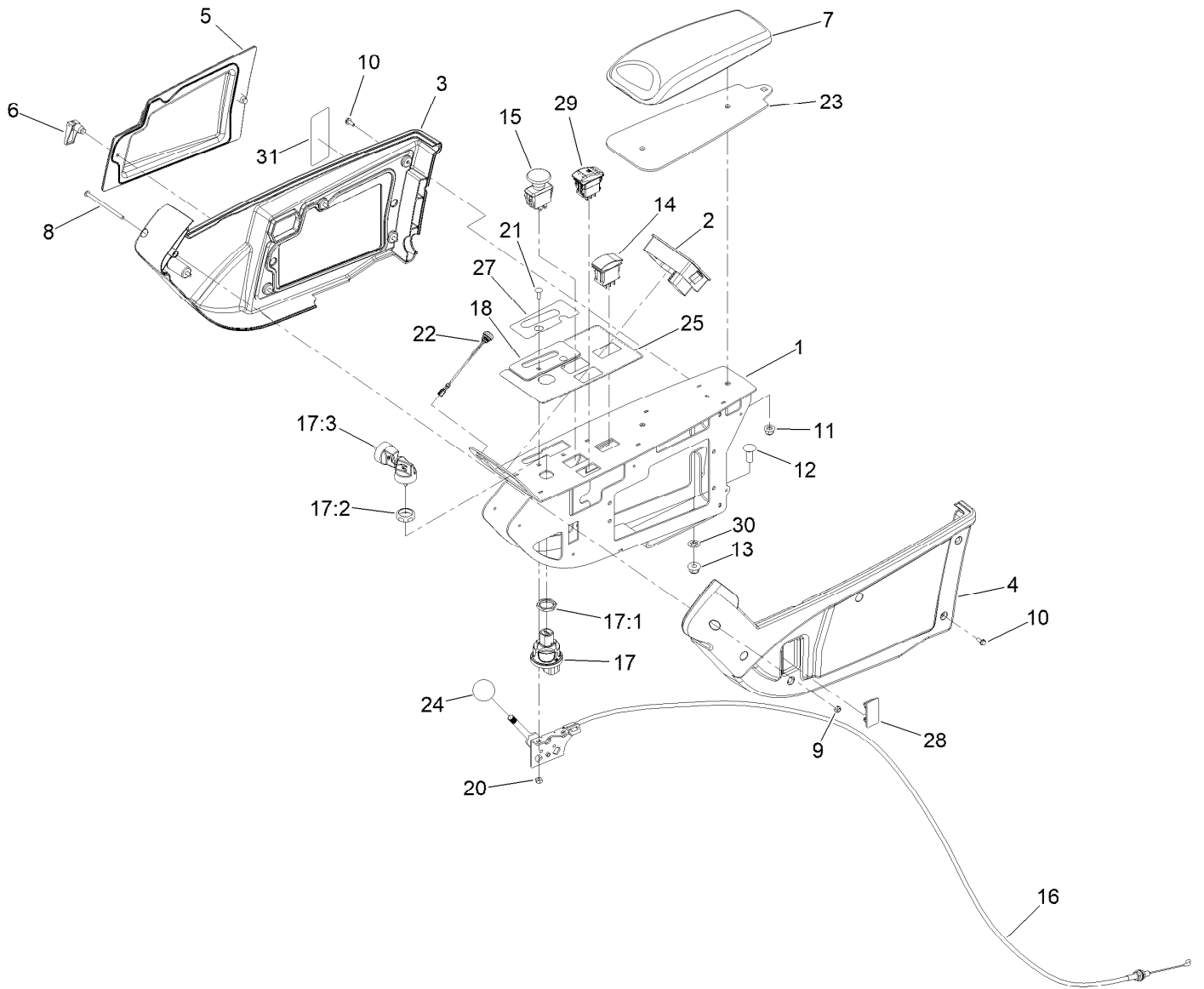
Pedal Assembly

Ref.	Part Number	Qty.	Description	Ref.	Part Number	Qty.	Description
1	138-7477-01	1	Bracket-Pedal, Traction	22	74-9100	1	Pad-Pedal, Forward
2	256-236	2	Bearing-Mount, Flange	23	74-9110	1	Pad-Pedal, Reverse
3	138-4594	1	Pedal-Traction	24	3231-22	4	Screw-CARR
4	117-9507	1	Pedal-Accelerator	25	130-9691	1	Spacer
5	32121-45	1	Pin-Spring	26	139-6221	1	Seat Box ASM
6	137-3061	11	Bolt-CARR	26:2	163-1839	1	Decal-Warning
7	119-4041	14	Nut-HF	27	115-8240	1	Screw-Elevator
8	138-7446-01	1	Bracket-Cable, Traction	28	3218-2	2	Nut-Hex Jam
9	93-2092	1	Clamp-Cable	29	138-7422-0P	2	Strip-Seat Mount
10	3274-10	2	Screw-HSH	30	107-1865	2	R-Clamp
11	119-4042	4	Nut-HF, NI	31	104-7050	1	Tube-Manual
12	117-5199	1	Hub-Pedal, Traction	32	104-7048	1	Cap-Housing
13	66-8010	1	Spacer	33	1-807512	2	Bolt-CARR
14	2411-41	2	Rod End-Ball Joint	34	104-7201	2	Nut-HF, NI
15	32121-6	1	Pin-Roll, Slotted	35	107-3154	4	Nut-Push
16	33093-00	2	Washer-Flat	36	106-9206	2	Decal-Torque, Wheel
17	3256-22	2	Washer-Flat	39	133-8062	1	Decal-Spark Arrestor
18	321-9	1	Screw-HH	42	32115-15	2	Nut-Push
19	3296-42	2	Nut-Lock, NI	43	3230-10	1	Bolt-CARR
20	137-2601	2	Washer	44	321-8	1	Screw-HH
21	145-6040	1	Cable-ASM, Traction	45	161-9001	1	Gateway-Telematics



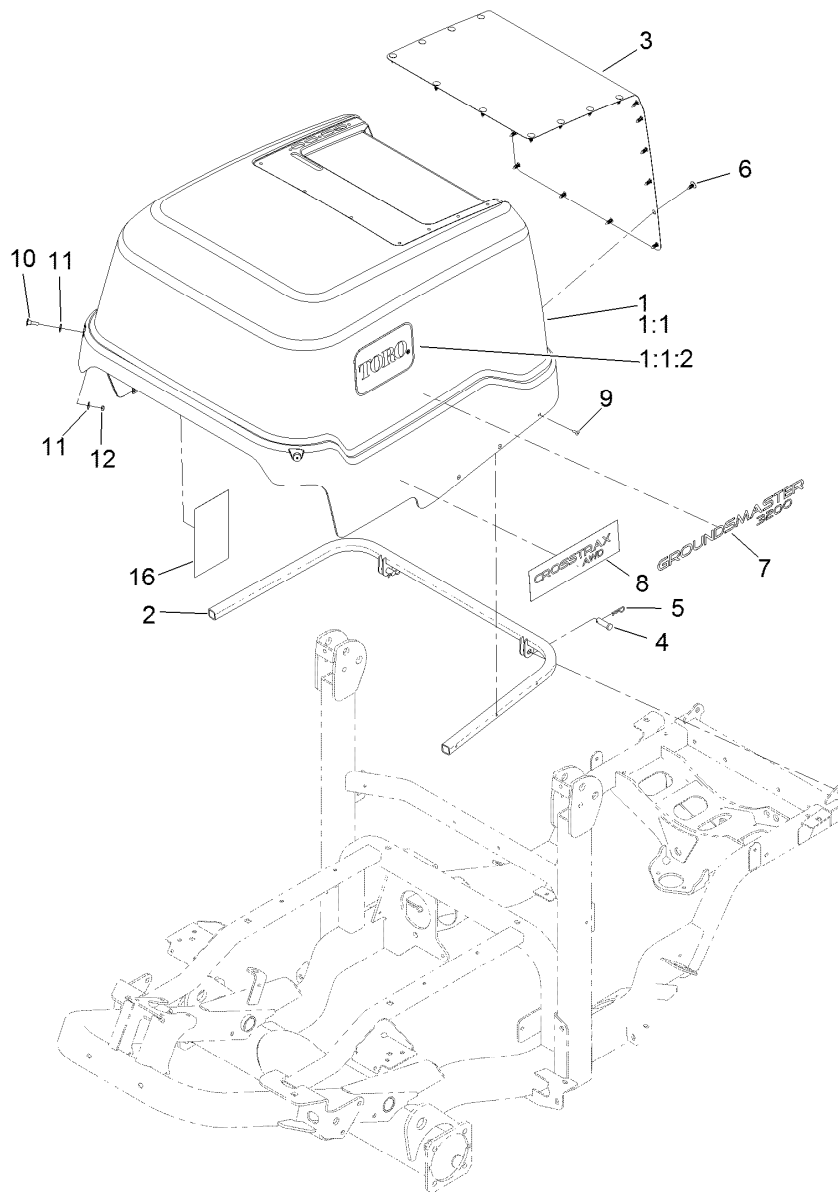
Pedal Assembly (continued)

<i>Ref.</i>	<i>Part Number</i>	<i>Qty.</i>	<i>Description</i>	<i>Ref.</i>	<i>Part Number</i>	<i>Qty.</i>	<i>Description</i>
46	131-6456	4	Screw-HWH	48:3	121-8861	1	Fuse-Mini Blade, 2 Amp
47	120-4578	4	Nut-HF	48:4	32180-101	1	Cover-Fuse, Single
48	122-2160	1	Harness-Wire	49	3290-378	1	Tie-Cable



Control Console Assembly

<i>Ref.</i>	<i>Part Number</i>	<i>Qty.</i>	<i>Description</i>	<i>Ref.</i>	<i>Part Number</i>	<i>Qty.</i>	<i>Description</i>
1	133-6406-03	1	Panel	17	121-5159	1	Switch-Ignition
2	132-9751	1	Tdm 2001	17:1	121-5160	1	Nut-Hex
3	108-7605	1	Cover-RH	17:2	122-2704	1	Nut-Face, M22 (Plastic)
4	108-7604	1	Cover-LH	17:3	121-5162	1	Set-Key, Ignition
5	108-7616	1	Panel-Access	18	137-2510	1	Cover-Throttle, Lever
6	74-5950	2	Latch-Swell	20	3296-2	2	Nut-Lock, NI
7	131-9637	1	Armrest-Quick Find	21	1-807533	2	Bolt-CARR
8	3250-22	1	Screw-PPH	22	136-9678	1	Cable Assy-Pushbutton
9	3296-12	1	Nut-Lock, NI	23	138-4548-03	1	Plate-Spacer, Console Pad
10	32144-112	10	Screw-HWH	24	1-603175	1	Knob-Ball
11	119-4041	2	Nut-HF	25	138-7471	1	Decal-Console
12	3231-22	2	Screw-CARR	27	138-7473	1	Decal-Throttle
13	119-4042	2	Nut-HF, NI	28	99-7420	1	Plug-Hole
14	100-1535	1	Switch-Rocker, (On)-Off-(On)	29	110-0811	1	Switch-Rocker On-None-(On)
15	93-9999	1	Switch-PTO	30	107-3154	2	Nut-Push
16	138-4549	1	Cable-Throttle	31	140-3125	1	Decal-Fuse

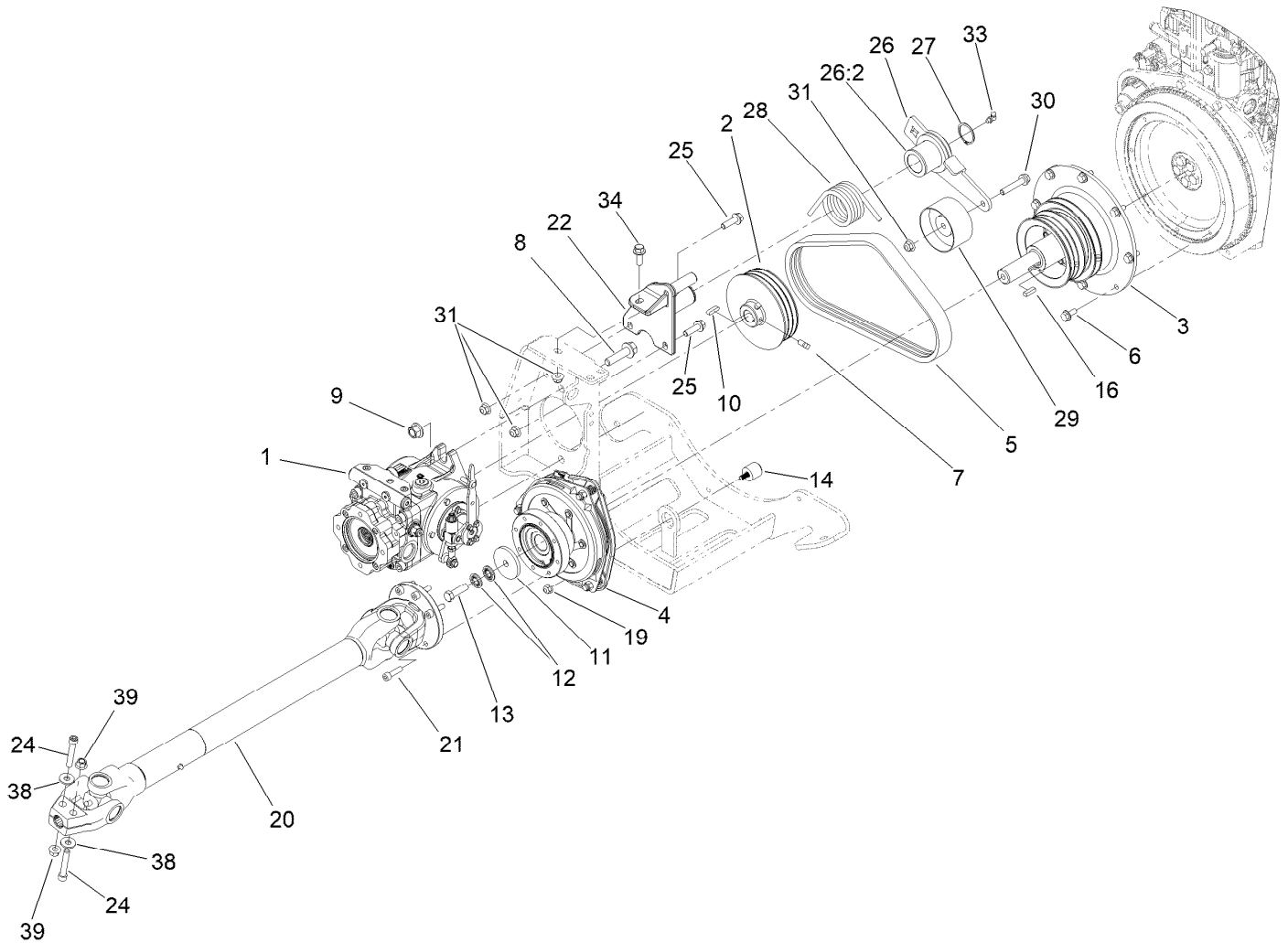


Hood Assembly

Ref.	Part Number	Qty.	Description	Ref.	Part Number	Qty.	Description
1	138-7330SP	1	Hood	5	3290-467	2	Pin-Hair
1:1		1	Hood ASM ■	6	117-2382	24	Plug-Plastic
1:1:2	62-7400	2	Decal-Toro Logo	7	139-6151	2	Decal-Identification
1:2	139-6225	1	Tape-Heat, Hood Front ●	8	110-8859	2	Decal
1:3	139-6226	1	Tape-Heat, Hood Rear ●	9	114439	10	Rivet-Blind
1:4	139-6227	1	Tape-Heat, Hood Side ●	10	139-0855	2	Screw-Countersunk, Oval
2	138-7331-03	1	Support-Hood	11	3256-2	4	Washer-Flat
3	138-7474-03	1	Screen-Cooler	12	3296-56	2	Nut-Lock, NI
4	283-68	2	Pin-Clevis	16	144-0518	1	Decal-Service, Gm3200

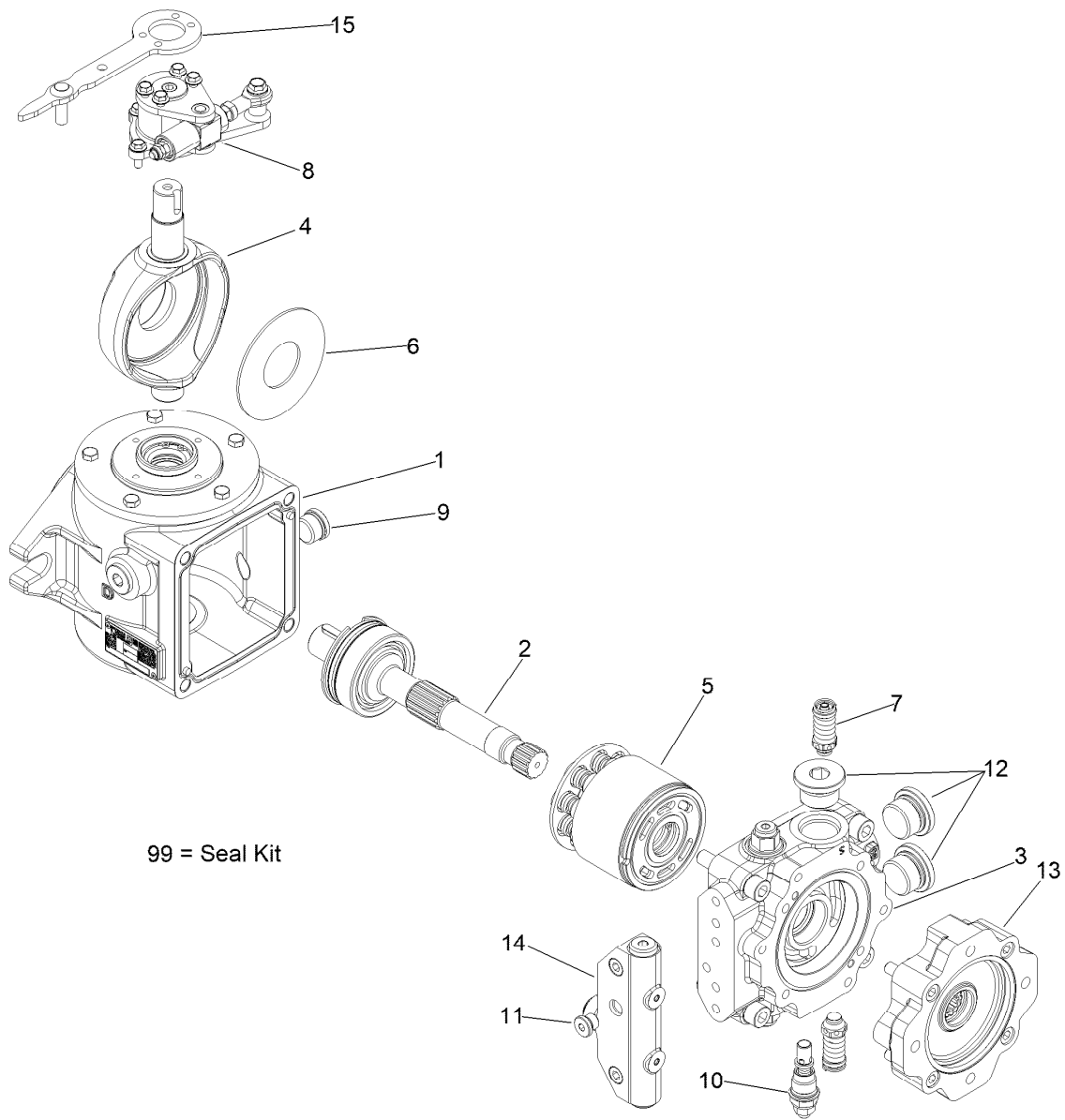
● Not illustrated

■ Not serviced separately



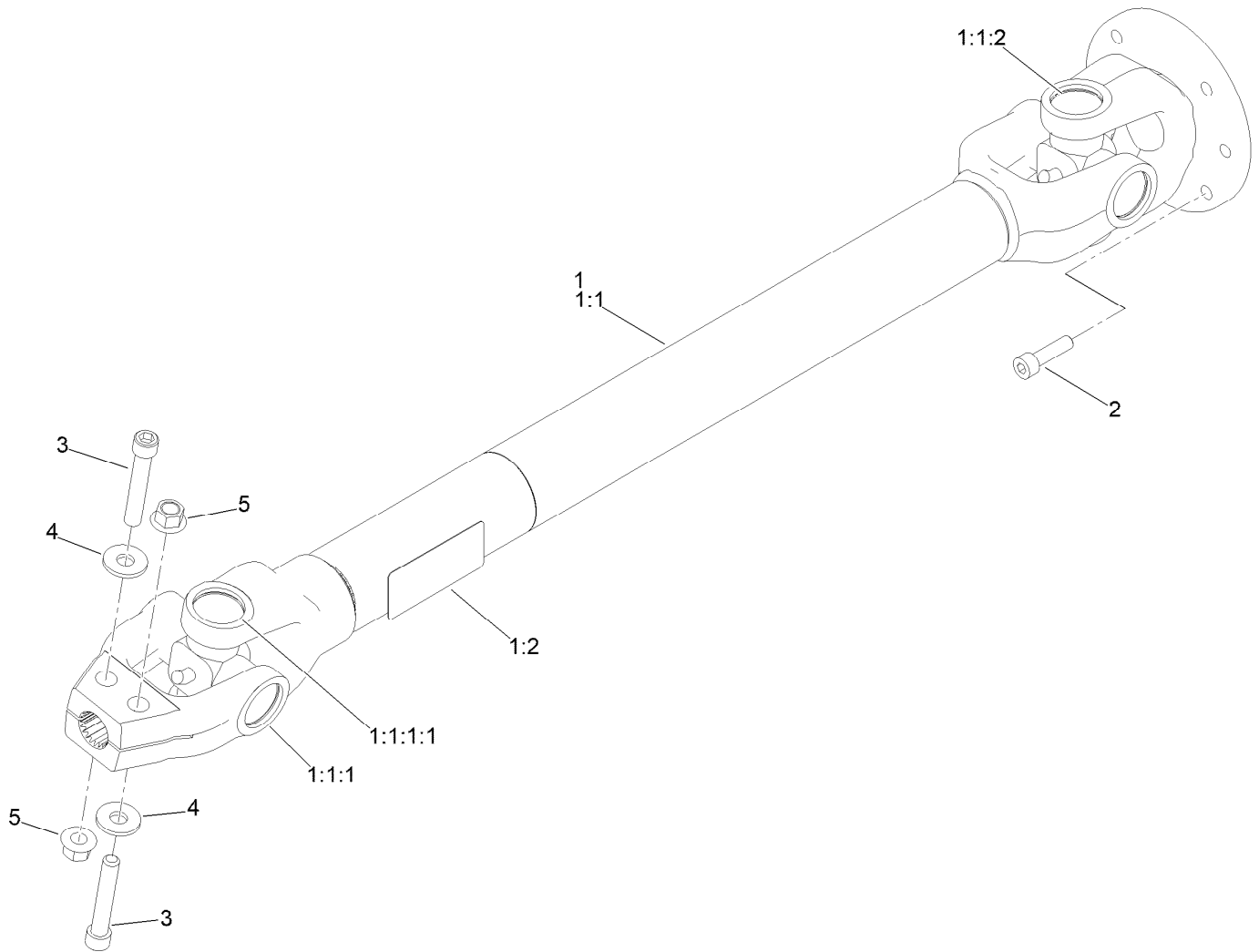
Pump, Driveshaft and Clutch Assembly

Ref.	Part Number	Qty.	Description	Ref.	Part Number	Qty.	Description
1	145-5940	1	Pump-Bondioli	20	163-1700SP	1	Driveshaft
2	145-6044	1	Pulley-3/3V	21	144-0452	6	Screw-HSH, Patch
3	147-0050	1	Stubshaft-3/3V	22	140-6200	1	Idler Pivot (Mach)
4	145-5987	1	Clutch-Gt5 W/Integral Con	24	131-8591	2	Screw-HSH
5	139-6259	1	Belt-3/3V	25	119-4061	2	Screw-HHF
6	138-0690	8	Screw-HHF,Patch	26	140-6179	1	Idler Arm ASM
7	1-803022	2	Screw-Set	26:2	93-4510	2	Bushing-Caster
8	133-0041	2	Screw-HF	27	32120-84	1	Ring-Snap, External
9	139-1689	2	Nut-HF	28	140-3102	1	Spring-Torsion
10	94-3645	1	Key	29	144-3904	1	Pulley-Tensioner
11	139-6238	1	Washer	30	108-3742	1	Screw-HHF
12	1-603610	2	Washer-Spring	31	119-4042	4	Nut-HF, NI
13	109-9761	1	Screw-HH	33	302-40	1	Fitting-Grease, 90 DEG
14	147-0060	1	Bumper	34	3234-42	1	Screw-HHF
16	10-7070	1	Key-Square	38	80-6990	2	Washer-Hardened
19	119-4041	2	Nut-HF	39	32128-36	2	Nut-HF



Pump Assembly No. 145-5940

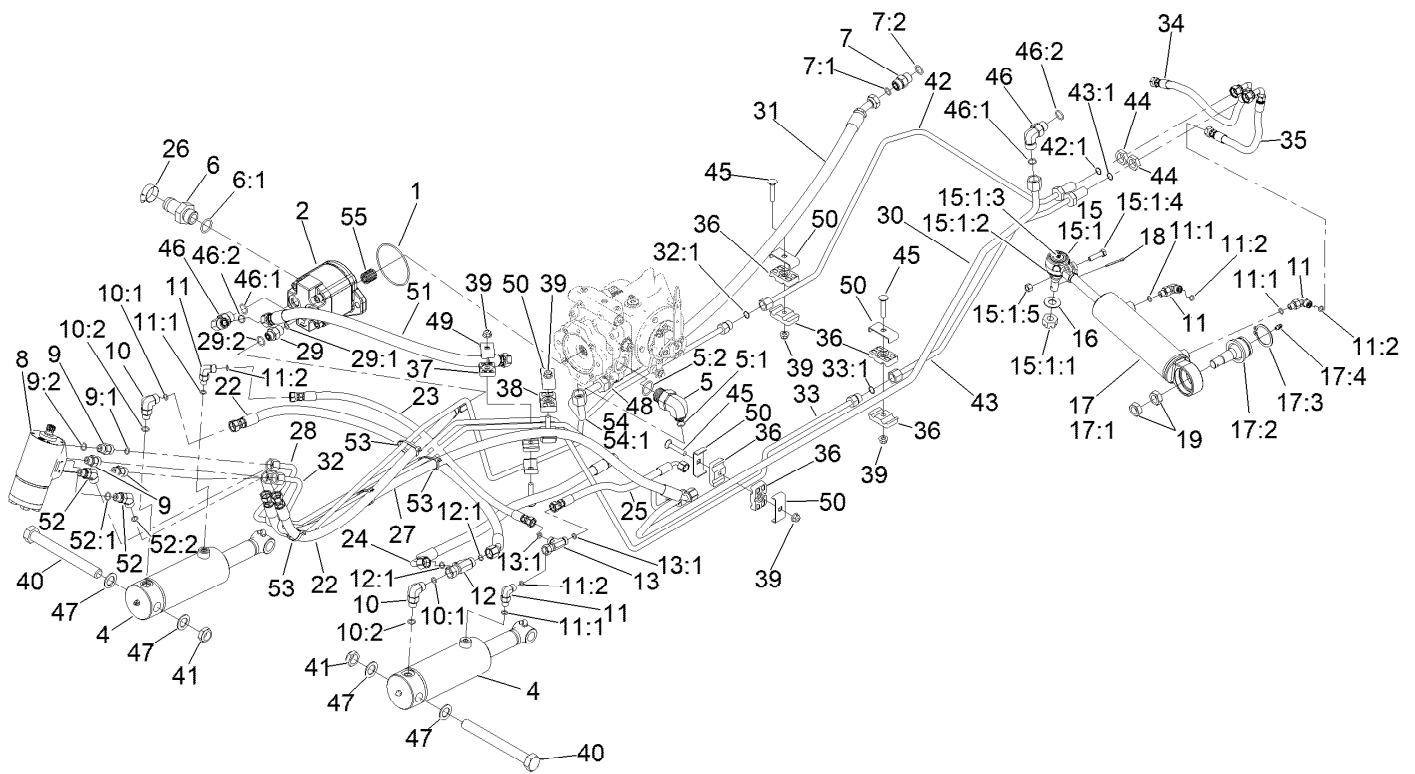
<i>Ref.</i>	<i>Part Number</i>	<i>Qty.</i>	<i>Description</i>	<i>Ref.</i>	<i>Part Number</i>	<i>Qty.</i>	<i>Description</i>
1	147-0161	1	Housing-Pump	9	147-0169	1	Cap-Seal
2	147-0162	1	Shaft ASM	10	147-0170	1	Valve-Relief 10-15 Bar
3	147-0163	1	Valve Body	11	147-0171	1	Plug, 7/16-20 Unf
4	147-0164	1	Plate-Swash	12	147-0172	1	Plug, 1-1/16-12 Unf
5	147-0165	1	Rotating ASM	13	147-0173	1	Endcap-Pump
6	147-0166	1	Plate-Swash, Insert	14	147-0174	1	Exchange Valve ASM
7	147-0167	1	Valve, 250 Bar	15	147-0175	1	Lever-Control
8	147-0168	1	Spring Return ASM	99	147-0176	1	Seal Kit



Driveshaft Assembly No. 163-1700SP

Ref.	Part Number	Qty.	Description
1		1	Driveshaft ASM ●
1:1		1	Shaft-Drive ●
1:1:1	144-0519	1	Yoke-Splined W/Cross Joint
1:1:1:1	144-0550	1	Bearing-Cross Joint
1:1:2	144-0550	1	Bearing-Cross Joint
1:2	139-6304	1	Decal-Danger, Entanglement
2	144-0452	6	Screw-HSH, Patch
3	131-8591	2	Screw-HSH
4	80-6990	2	Washer-Hardened
5	32128-36	2	Nut-HF

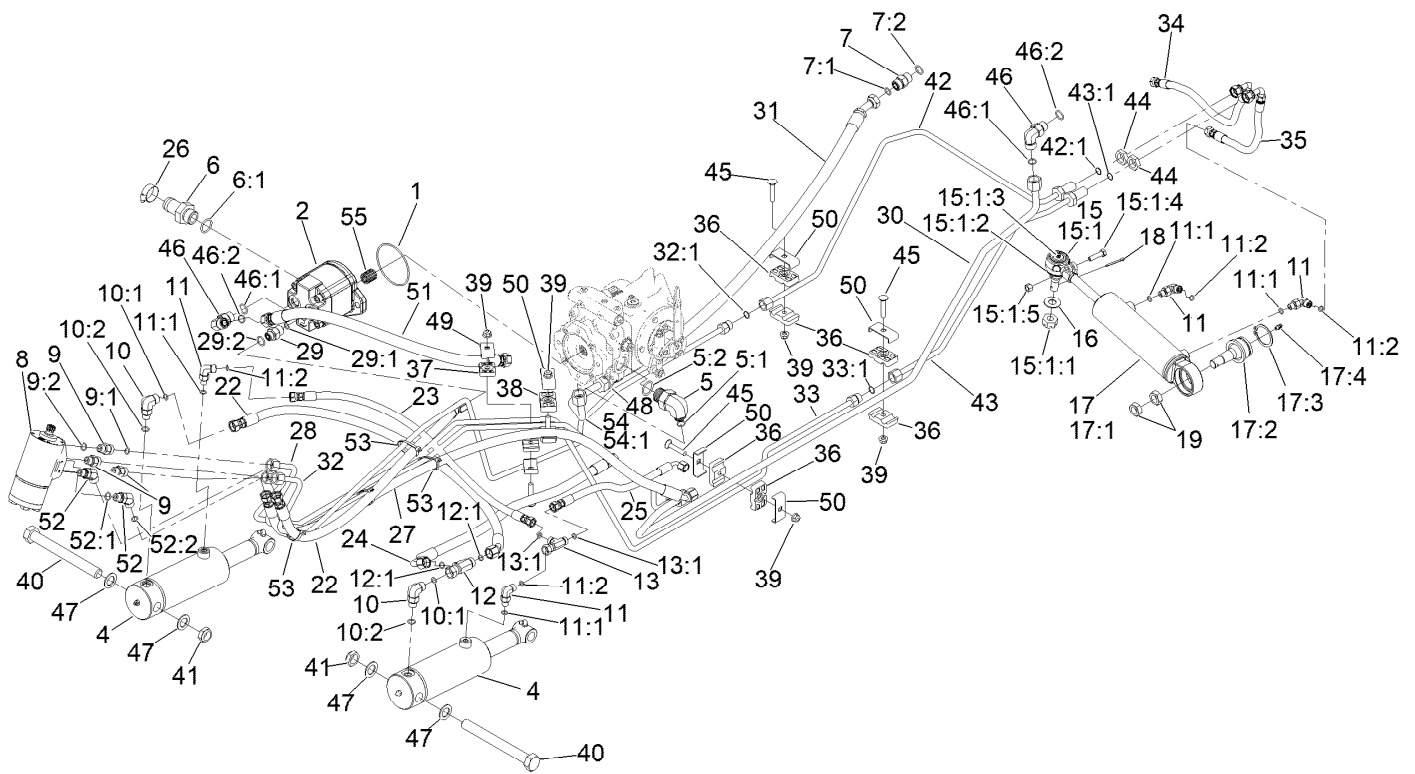
● Not serviced separately



Hydraulic Assembly

Ref.	Part Number	Qty.	Description	Ref.	Part Number	Qty.	Description
1	237-161	1	O-Ring	11	340-132	4	Fitting-Elbow, 90 DEG
2	147-5115	1	Pump-Gear	11:1	237-78	1	O-Ring
4	139-0854	2	Cylinder-Hydraulic	11:2	237-21	1	O-Ring
5	340-131	1	Fitting-HYD, 90 DEG	12	340-115	1	Fitting-Tee
5:1	237-30	1	O-Ring	12:1	237-22	2	O-Ring
5:2	237-81	1	O-Ring	13	340-151	1	Fitting-Tee
6	99-3017	1	Fitting	13:1	237-21	2	O-Ring
6:1	237-81	1	O-Ring	15	106-6895-03	1	Ball Joint ASM
7	340-4	1	Fitting-Straight	15:1		1	Joint-Ball ●
7:1	237-30	1	O-Ring	15:1:1	32136-13	1	Nut-SHH
7:2	237-79	1	O-Ring	15:1:2	106-6896	1	Seal
8	114-8119	1	Steering Valve ASM	15:1:3	302-5	1	Fitting-Grease
9	340-2	3	Fitting-Straight	15:1:4	3210-7	1	Screw-HH
9:1	237-22	1	O-Ring	15:1:5	32152-5	1	Nut-Hex
9:2	237-42	1	O-Ring	16	69-8980	1	Washer
10	340-77	2	Fitting-Elbow, 90 DEG	17		1	Steering Cylinder ASM ●
10:1	237-22	1	O-Ring	17:1	139-6277	1	Steering Cylinder
10:2	237-42	1	O-Ring	17:2	106-6774	1	Joint-Ball

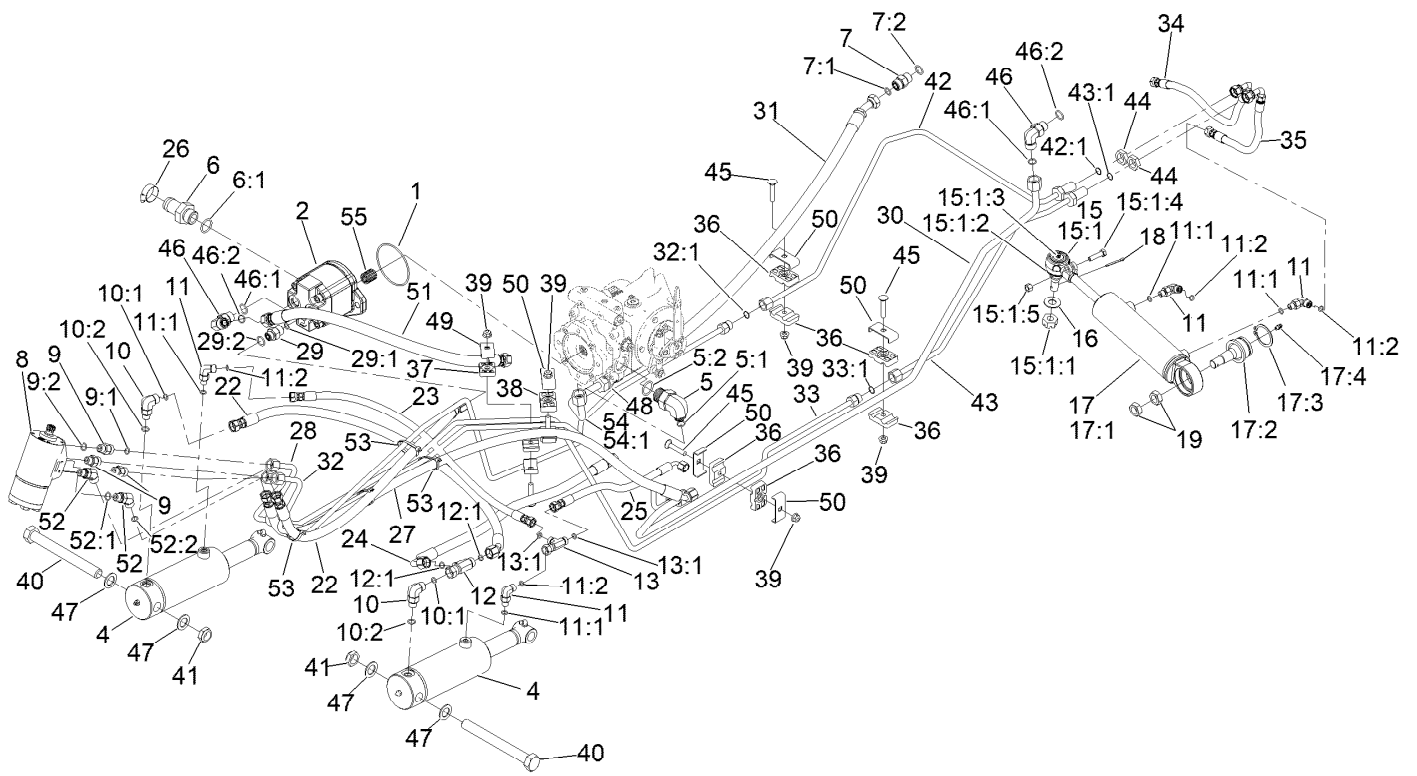
● Not serviced separately



Hydraulic Assembly (continued)

<i>Ref.</i>	<i>Part Number</i>	<i>Qty.</i>	<i>Description</i>	<i>Ref.</i>	<i>Part Number</i>	<i>Qty.</i>	<i>Description</i>
17:3	32151-104	1	Ring-Retaining, External	32:1	237-22	1	O-Ring
17:4	302-5	1	Fitting-Grease	33	145-5930	1	Hydraulic Tube ASM
18	3272-12	1	Pin-Cotter	33:1	237-22	1	O-Ring
19	3220-6	2	Nut-Jam	34	115-0383	1	Hose ASM
22	137-5844	2	Hose ASM	35	137-2584	1	Hose ASM
22	137-5844RT03	1	Hose ASM	36	56-7972	6	Clamp-Tube
23	137-5845	1	Hose ASM	37	56-7973	2	Clamp-Tube
24	137-5846	1	Hose ASM	38	56-7970	2	Clamp-Tube
25	137-5847	1	Hose ASM	39	119-4041	5	Nut-HF
26	2412-34	1	Clamp-Hose	40	328-23	2	Screw-HH
27	140-3097	1	Hose ASM	41	HDW02059	2	Nut-Hex
28	138-0331	1	Hydraulic Tube ASM	42	138-0343	1	Hydraulic Tube ASM
29	340-3	1	Fitting-Straight	42:1	237-22	1	O-Ring
29:1	237-22	1	O-Ring	43	138-0344	1	Hydraulic Tube ASM
29:2	237-79	1	O-Ring	43:1	237-22	1	O-Ring
30	138-7448	1	Hydraulic Tube ASM	44	340-70	2	Nut-Lock
31	145-5934	1	Hose ASM-Hydraulic	45	3230-5	5	Bolt-CARR
32	145-5959	1	Hydraulic Tube ASM	46	340-98	2	Fitting-Elbow, 90 DEG

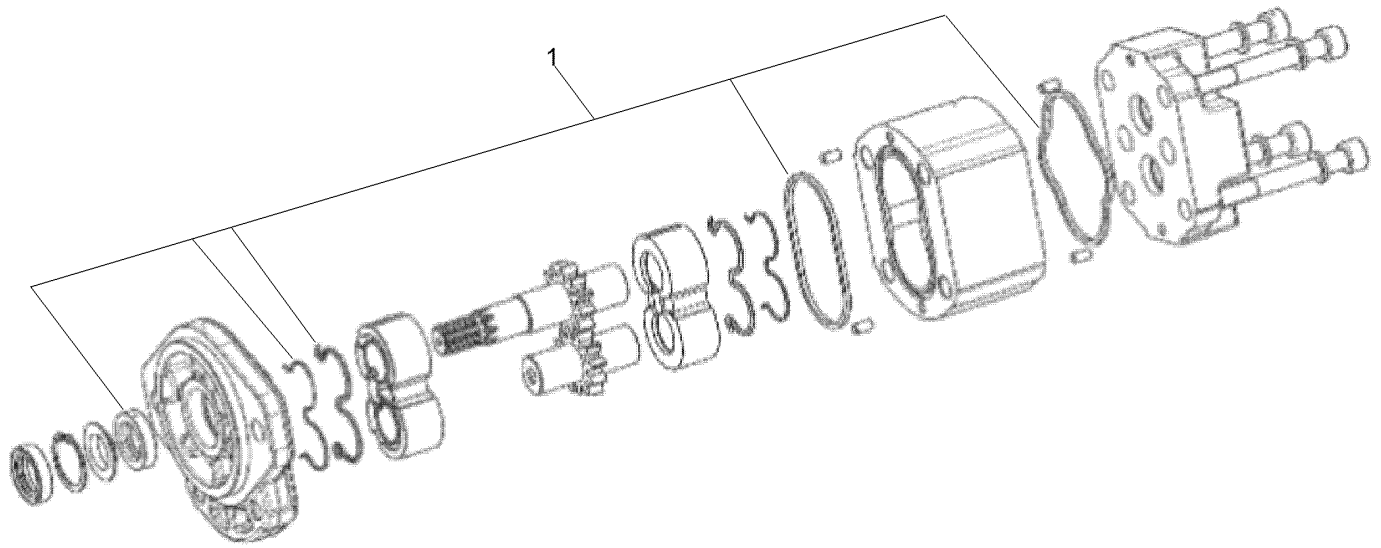
● Not serviced separately



Hydraulic Assembly (continued)

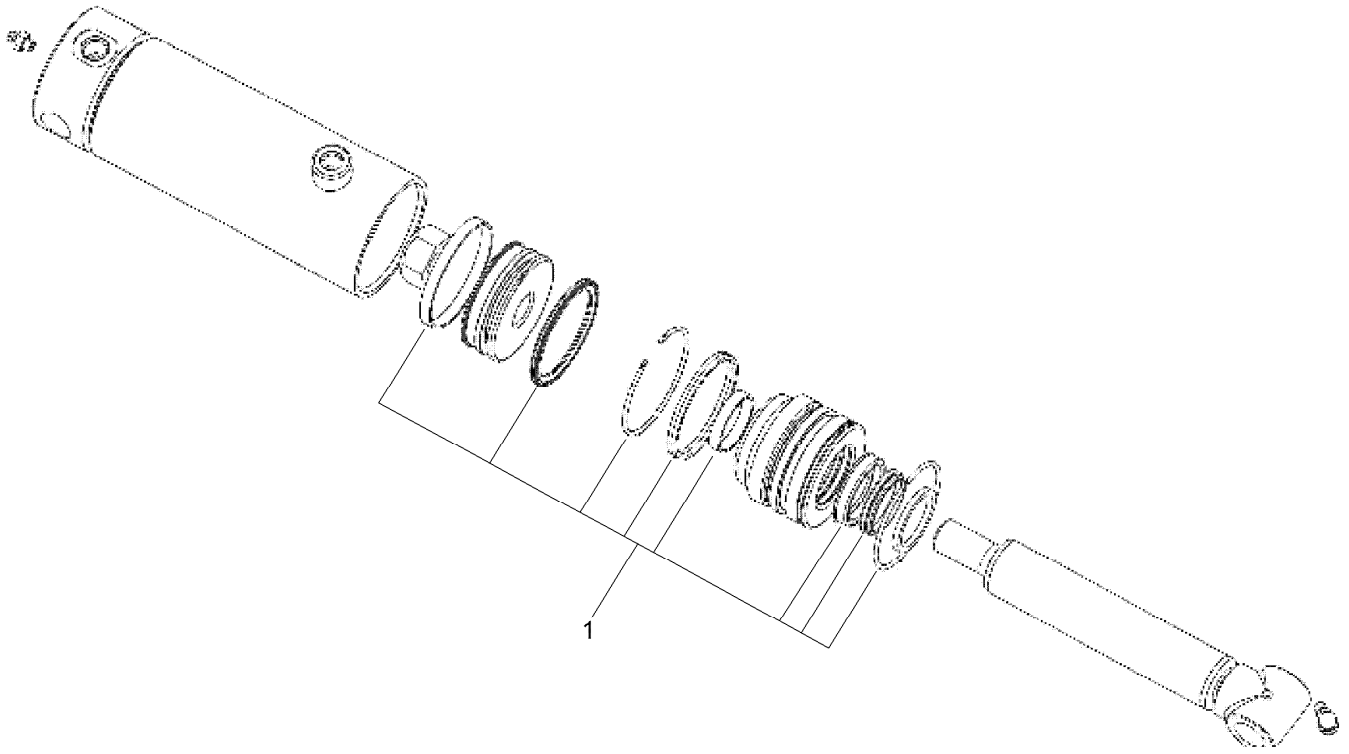
<i>Ref.</i>	<i>Part Number</i>	<i>Qty.</i>	<i>Description</i>	<i>Ref.</i>	<i>Part Number</i>	<i>Qty.</i>	<i>Description</i>
46:1	237-79	1	O-Ring	52	340-87	2	Fitting-Elbow, 45 DEG
46:2	237-30	1	O-Ring	52:1	237-22	1	O-Ring
47	126-7888	4	Washer-Nylon	52:2	237-42	1	O-Ring
48	340-127	1	Nut-Bulkhead	53	3290-378	4	Tie-Cable
49	119-1418	2	Plate-Clamp, Short	54	145-5945	1	Hydraulic Tube ASM
50	119-1419	6	Plate-Clamp	54:1	237-30	1	O-Ring
51	145-5931	1	Hose ASM-Hydraulic	55	147-0196	1	Coupler-Pump, Bondioli

● Not serviced separately



Gear Pump Assembly No. 147-5115

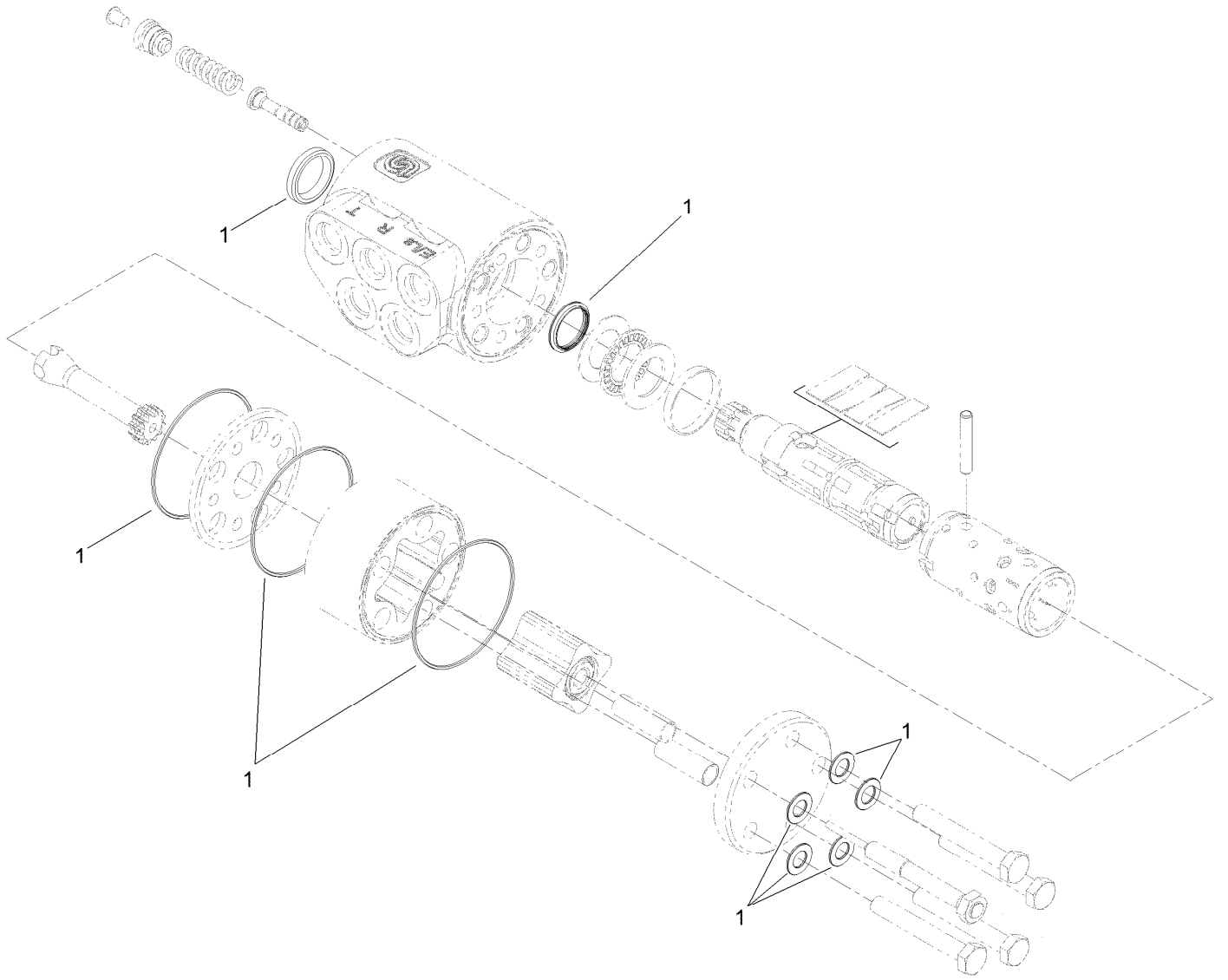
<i>Ref.</i>	<i>Part Number</i>	<i>Qty.</i>	<i>Description</i>
1	145-2794	1	Seal Kit



Hydraulic Cylinder No. 139-0854

<i>Ref.</i>	<i>Part Number</i>	<i>Qty.</i>	<i>Description</i>
1	140-3110	1	Kit-Seal ●

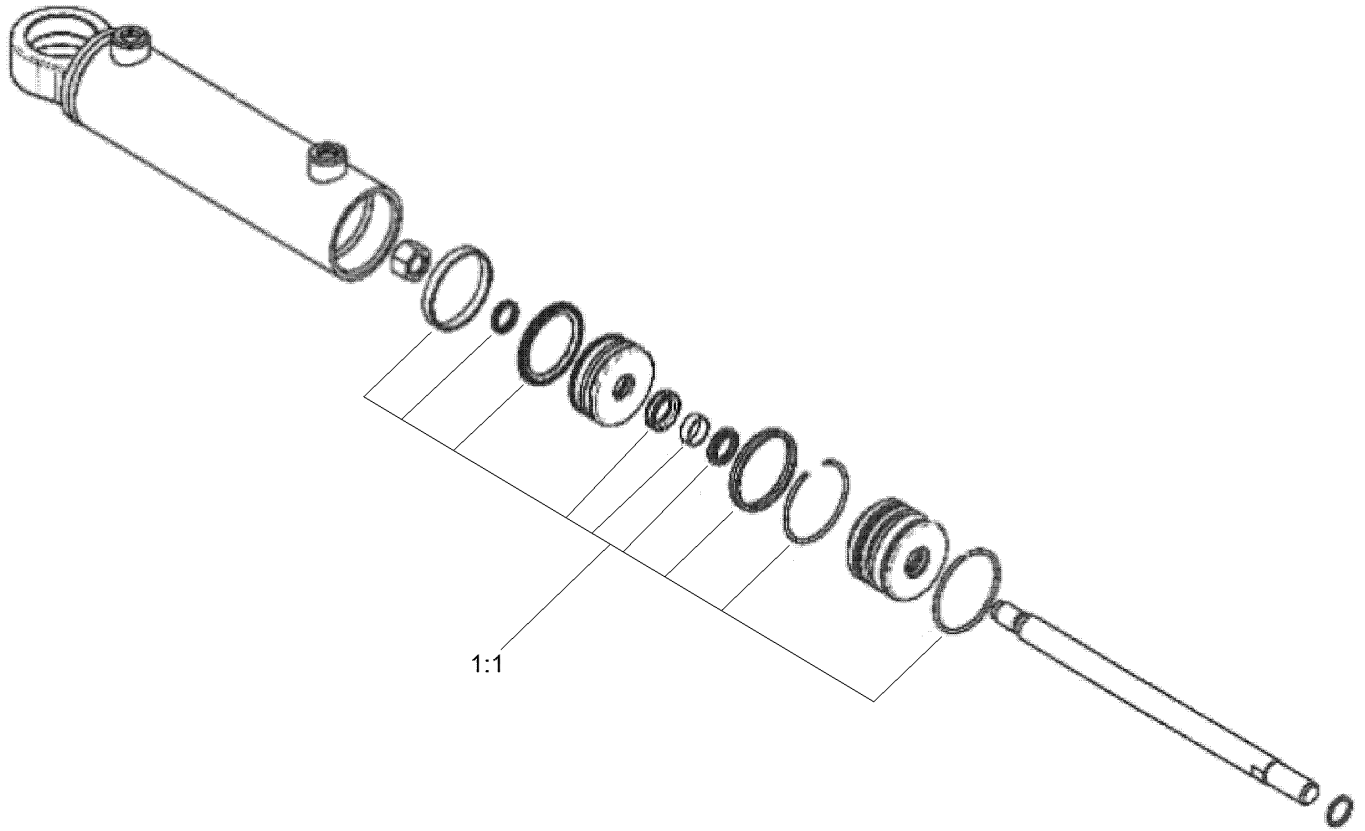
● Not illustrated



Steering Valve Assembly No. 114-8119

<i>Ref.</i>	<i>Part Number</i>	<i>Qty.</i>	<i>Description</i>
1	106-6716	1	Seal Kit

Steering Cylinder Assembly No. 139-6277

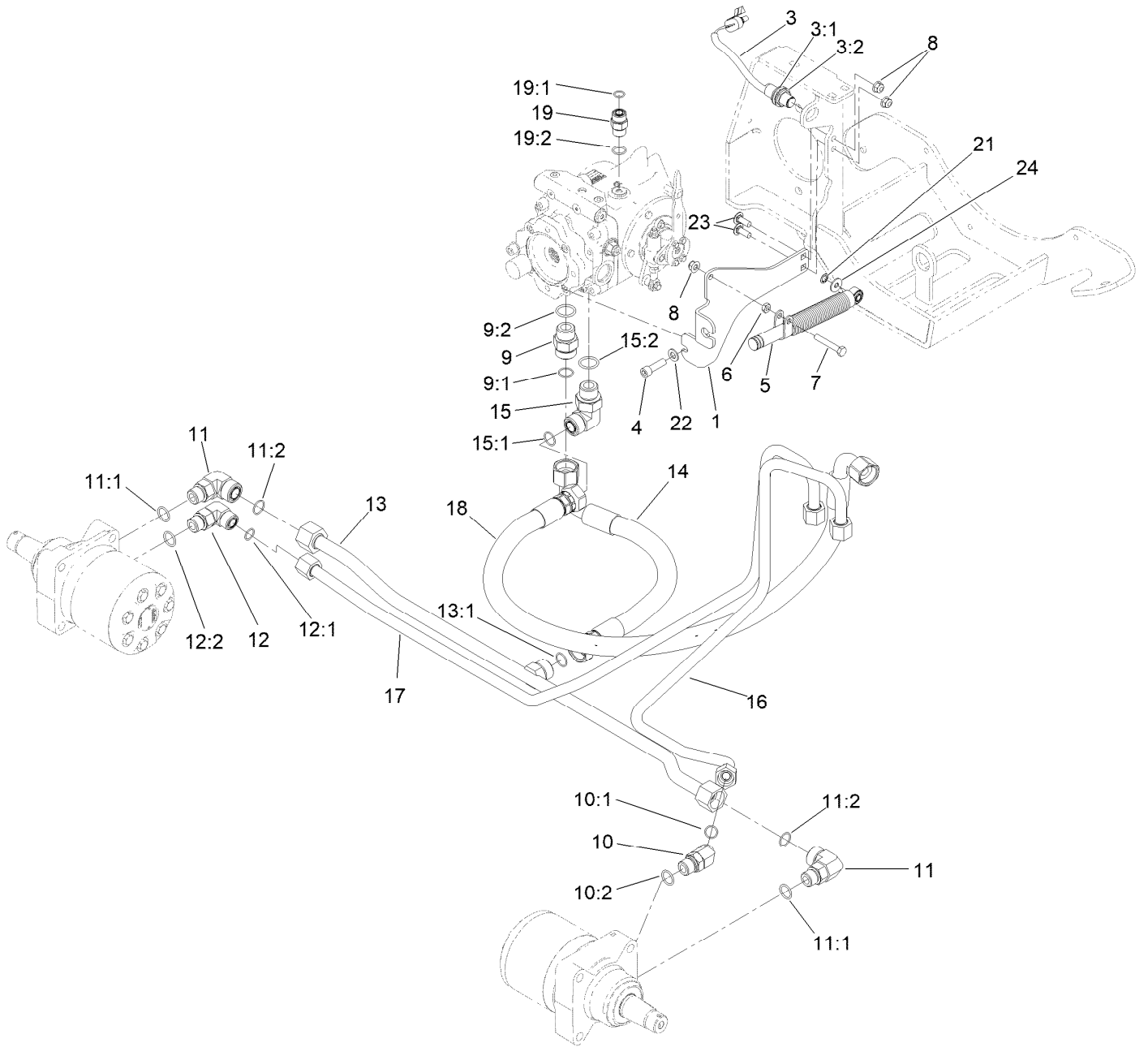


Steering Cylinder Assembly No. 139-6277 (continued)

<i>Ref.</i>	<i>Part Number</i>	<i>Qty.</i>	<i>Description</i>
1:1	131-7756	1	Cylinder Seal Kit ●

● Not illustrated

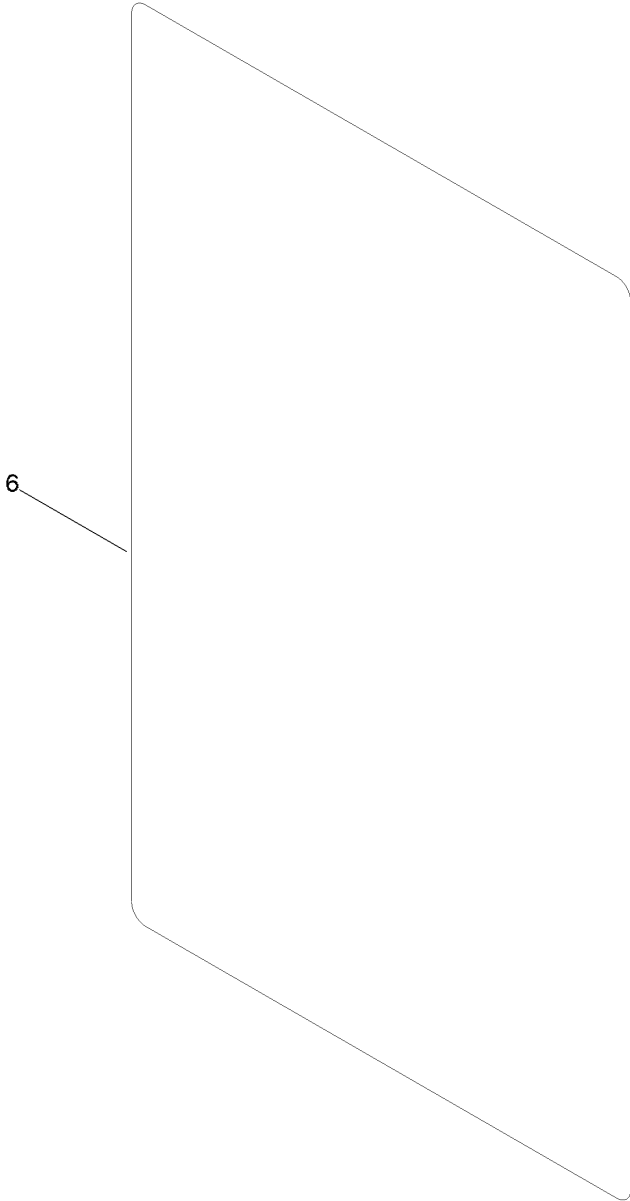
Hydraulic Traction Assembly



Hydraulic Traction Assembly (continued)

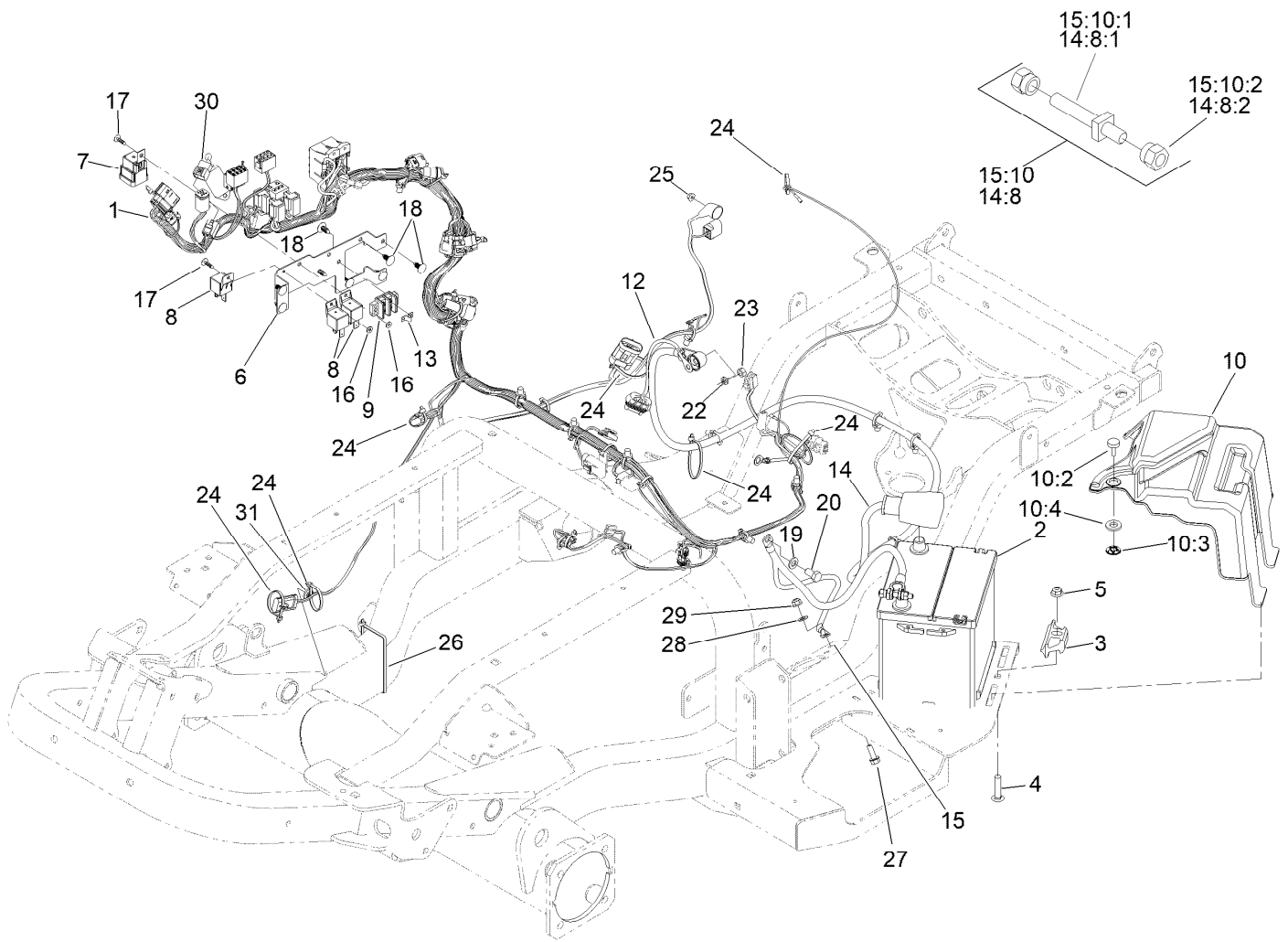
<i>Ref.</i>	<i>Part Number</i>	<i>Qty.</i>	<i>Description</i>	<i>Ref.</i>	<i>Part Number</i>	<i>Qty.</i>	<i>Description</i>
1	145-6065-0P	1	Plate-Cable Mount	12:1	237-65	1	O-Ring
3	115-5300	1	Proximity Switch ASM	12:2	237-80	1	O-Ring
3:1	117-3207	2	Nut-Hex	13	138-0340	1	Hydraulic Tube ASM
3:2	117-3208	2	Washer-Lock, Internal Tooth	13:1	237-58	1	O-Ring
4	ST80801	2	Screw-HSH	14	145-5928	1	Hose ASM-Hydraulic
5	140-6248	1	Damper	15	340-142	1	Fitting-Elbow, 90 DEG
6	3218-2	1	Nut-Hex Jam	15:1	237-58	1	O-Ring
7	322-10	1	Screw-HH	15:2	237-81	1	O-Ring
8	119-4041	3	Nut-HF	16	145-5929	1	Hydraulic Tube ASM
9	340-9	1	Fitting-STR	17	145-5923	1	Hydraulic Tube ASM
9:1	237-58	1	O-Ring	18	145-5927	1	Hose ASM-Hydraulic
9:2	237-81	1	O-Ring	19	340-4	1	Fitting-Straight
10	340-14	1	Fitting-HYD, 45 DEG	19:1	237-30	1	O-Ring
10:1	237-65	1	O-Ring	19:2	237-79	1	O-Ring
10:2	237-80	1	O-Ring	21	32151-72	1	Ring-Retaining
11	340-16	2	Fitting-HYD, 90 DEG	22	107-1413	2	Washer-Hardened
11:1	237-80	1	O-Ring	23	3230-10	2	Bolt-CARR
11:2	237-58	1	O-Ring	24	HDW14535	1	Flat Washer, 5/16 Nom,ST/ST,18-8
12	340-17	1	Fitting-Elbow, 90 DEG				

Miscellaneous Parts Assembly



Miscellaneous Parts Assembly (continued)

<i>Ref.</i>	<i>Part Number</i>	<i>Qty.</i>	<i>Description</i>
6	144-3952	1	Decal-Slope

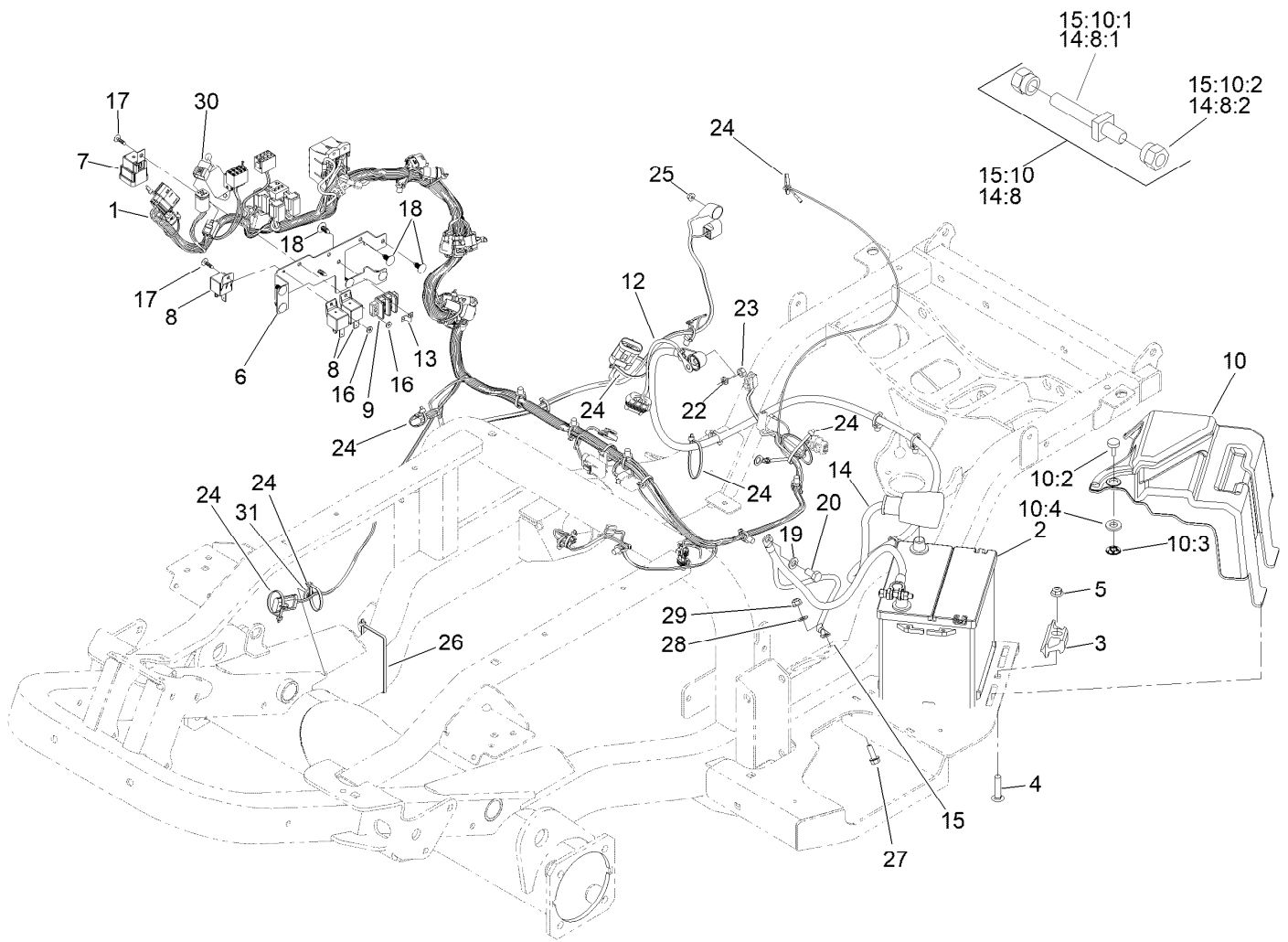


Electrical Assembly

Ref.	Part Number	Qty.	Description	Ref.	Part Number	Qty.	Description
1	122-2518	1	Harness-Wire, Main	14:8		1	Bolt ASM ●▲
2		1	Battery - Wet, 12V, 540 CCA ■▲	14:8:1	32180-107	1	Bolt-Clamp, Battery
3	138-6335	1	Retainer-Battery	14:8:2	32180-108	2	Nut-Hex Shoulder
4	3231-29	1	Screw-CARR	15	122-1276	1	Cable-Battery, Negative ASM
5	119-4042	1	Nut-HF, NI	15:10		1	Bolt ASM ●▲
6	138-7467-0P	1	Bracket-Electrical	15:10:1	32180-107	1	Bolt-Clamp, Battery
7	99-7430	1	Relay-Mini	15:10:2	32180-108	2	Nut-Hex Shoulder
8	99-7435	3	Relay	16	3256-21	2	Washer-Flat
9	42862	1	Block-Terminal, Ground	17	125-8067	2	Plug-Plastic
10	140-9010	1	Battery Cover ASM	18	117-2382	8	Plug-Plastic
10:2	140-9033	1	Knob-Stud	19	33095-00	1	Washer-Flat
10:3	32115-15	1	Nut-Push	20	33115-020	1	Screw-HH
10:4	3256-22	1	Washer-Flat	22	3253-4	1	Washer-Lock
12	99-3441	1	Harness-Wire, Fusible Link	23	33014-00	1	Nut-Hex
13	42863	1	Strip-Jumper	24	3290-378	7	Tie-Cable
14	122-1275	1	Cable-Battery, Positive ASM	25	33003-00	1	Nut-HF
14:1	32180-115	1	Panduit, Cable Tie ●	26	3290-379	1	Tie-Cable

● Not illustrated
▲ Not serviced separately

■ Obtain locally.



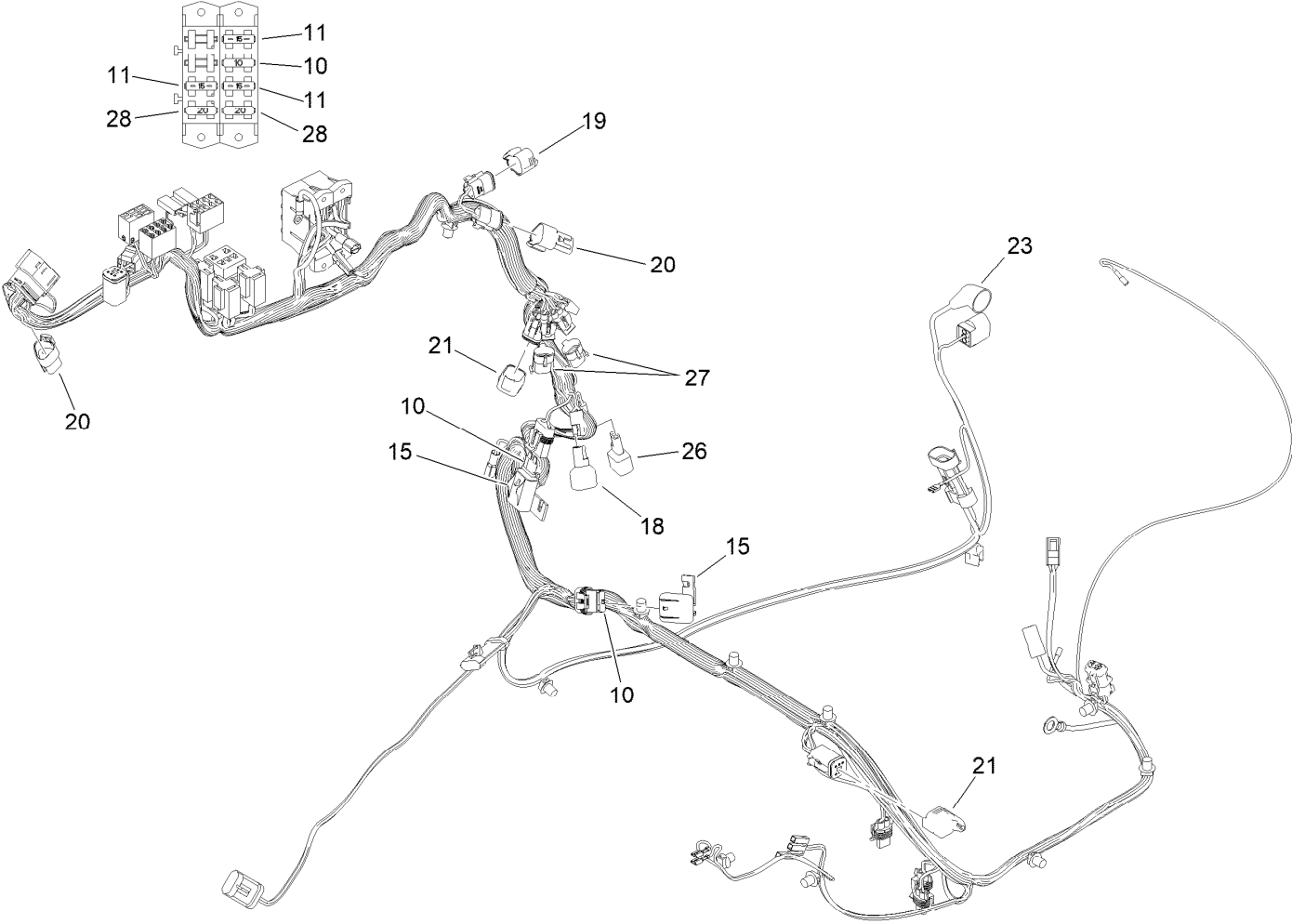
Electrical Assembly (continued)

<i>Ref.</i>	<i>Part Number</i>	<i>Qty.</i>	<i>Description</i>	<i>Ref.</i>	<i>Part Number</i>	<i>Qty.</i>	<i>Description</i>
27	3234-29	1	Screw-HHF	30	134-1507RT01	1	Timer-Glowplug
28	120-9683	1	Washer-Plain	31	32180-139	1	Mount-Tie Wrap, Magnetic
29	119-4041	1	Nut-HF				

● Not illustrated
▲ Not serviced separately

■ Obtain locally.

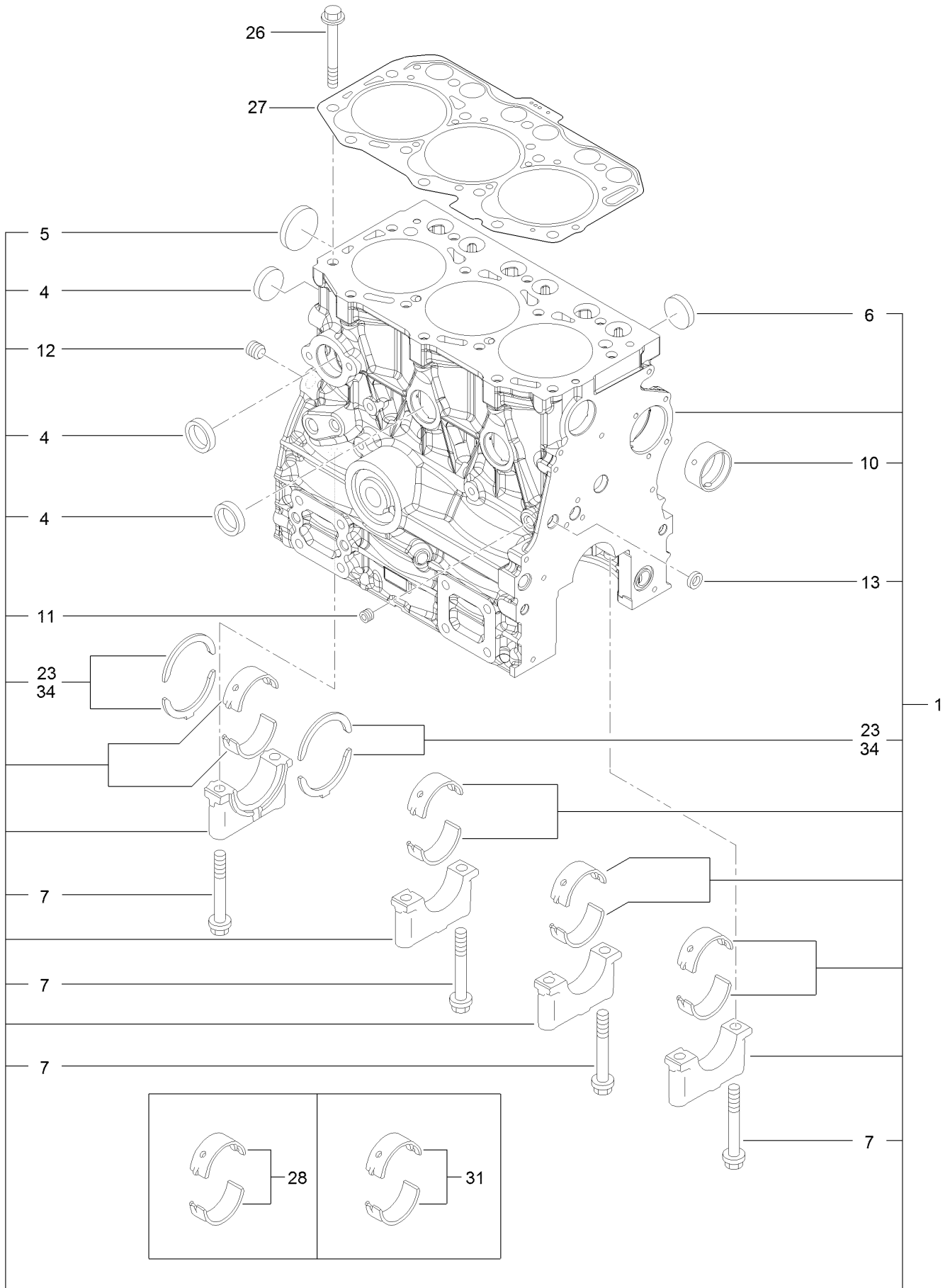
Wire Harness Assembly No. 122-2518



Wire Harness Assembly No. 122-2518 (continued)

<i>Ref.</i>	<i>Part Number</i>	<i>Qty.</i>	<i>Description</i>	<i>Ref.</i>	<i>Part Number</i>	<i>Qty.</i>	<i>Description</i>
10	218-578	3	Fuse-Blade, 10 Amp	21	32180-156	2	Cap-Plug, 6 Way
11	109355	3	Fuse-Blade, 15 Amp	23	32180-017	1	Insulater-Terminal, Black
15	32180-019	2	Cover-Fuse, Single	26	104-4022	1	Resistor-75 Ohm
18	108-9493	1	Diode-Tvs	27	32180-056	2	Cap
19	32180-089	1	Cap-Plug, 3 Way	28	109101	2	Fuse-Blade, 20 Amp
20	32180-043	2	Resistor-120 Ohm				

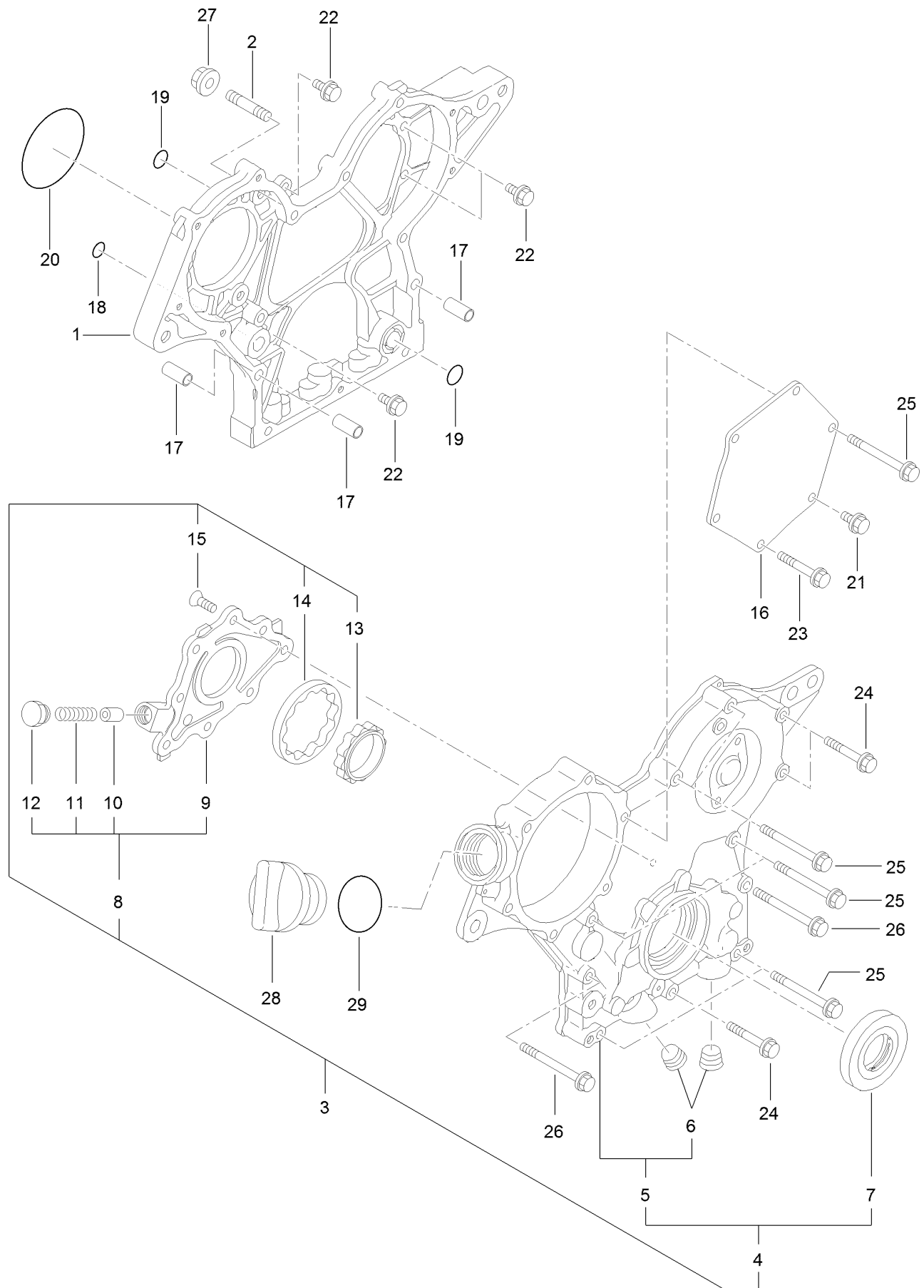
Cylinder Block Assembly



Cylinder Block Assembly (continued)

<i>Ref.</i>	<i>Part Number</i>	<i>Qty.</i>	<i>Description</i>	<i>Ref.</i>	<i>Part Number</i>	<i>Qty.</i>	<i>Description</i>
1	135-4030	1	Cylinder Block ASM	13	125-7237	1	Plug
4	135-4031	4	Plug-Cup	23	135-4036	2	Thrust Bearing ASM
5	135-4032	1	Plug-Dish	26	135-4037	14	Bolt-Head, Cylinder
6	135-4033	3	Plug-Cup	27	135-4038	1	Head Gasket Set
7	135-4034	8	Bolt-Cap	28	135-4039	1	Main Bearing ASM
10	135-4035	1	Bushing-Camshaft	31	135-4040	2	Main Bearing ASM
11	125-6969	1	Plug	34	135-4041	2	Bearing-Thrust
12	125-6973	1	Plug				

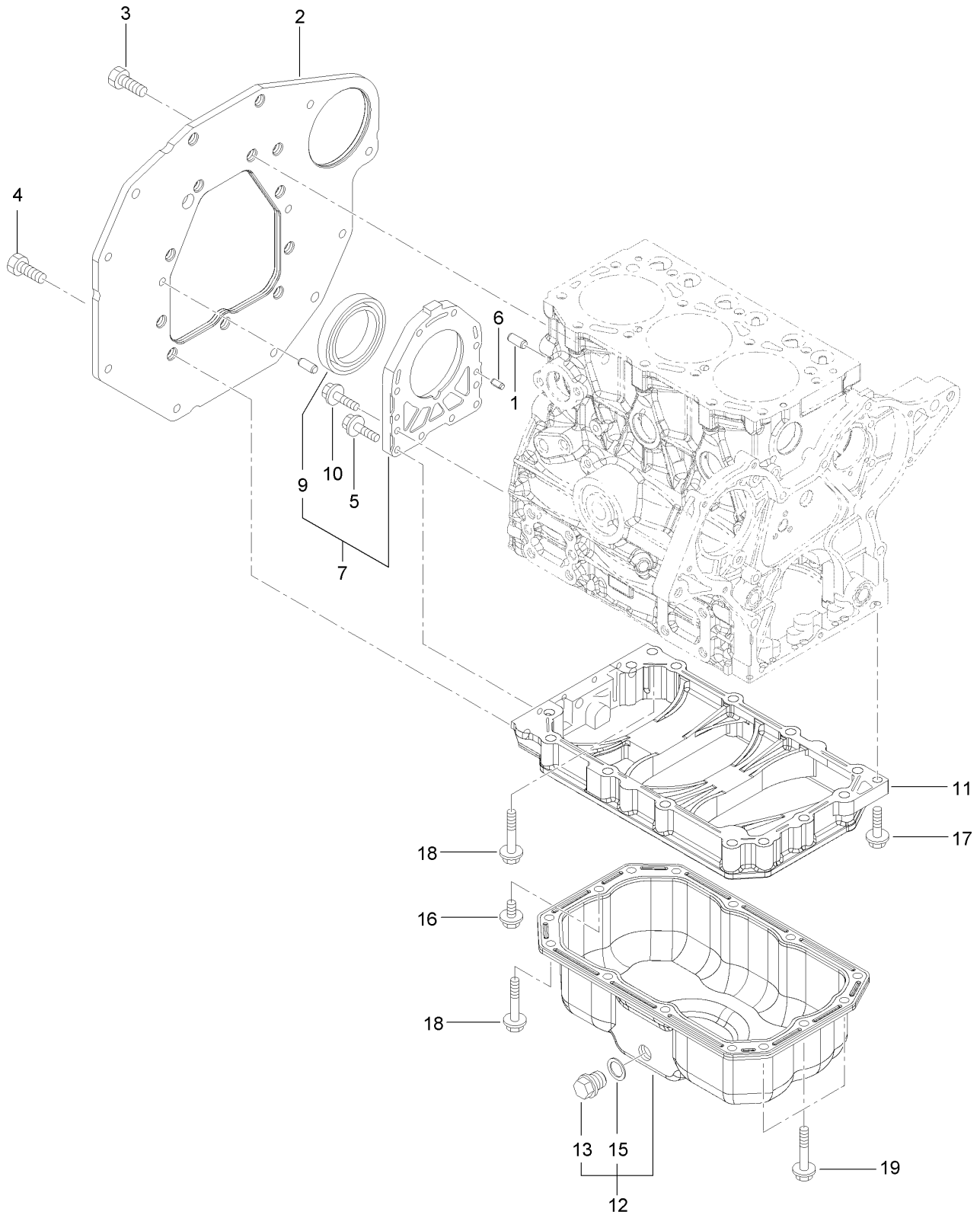
Gear Housing Assembly



Gear Housing Assembly (continued)

<i>Ref.</i>	<i>Part Number</i>	<i>Qty.</i>	<i>Description</i>	<i>Ref.</i>	<i>Part Number</i>	<i>Qty.</i>	<i>Description</i>
1	135-4042	1	Case-Gear	16	135-4056	1	Cover-Pump
2	135-4043	3	Bolt-Stud	17	135-4057	4	Dowel-Pipe
3	135-4044	1	Gear Case Cover ASM	18	127-2973	1	O-Ring
4	135-4045	1	Gear Case Cover ASM	19	135-4058	3	O-Ring
5	135-4046	1	Cover-Case, Gear	20	125-6957	1	O-Ring
6	133-6798	2	Plug	21	125-7206	1	Bolt
7	135-4047	1	Seal-Oil	22	125-7208	4	Bolt
8	135-4048	1	Cover ASM	23	125-7211	4	Bolt
9	135-4049	1	Cover-Pump	24	125-7211	3	Bolt
10	135-4050	1	Valve-Relief	25	135-4059	7	Bolt
11	135-4051	1	Spring	26	136-8257	2	Bolt
12	135-4052	1	Plug	27	125-7229	3	Nut
13	135-4053	1	Rotor-Inner	28	125-6972	1	Cover-Filler
14	135-4054	1	Rotor-Outer	29	125-7197	1	O-Ring
15	135-4055	8	Screw				

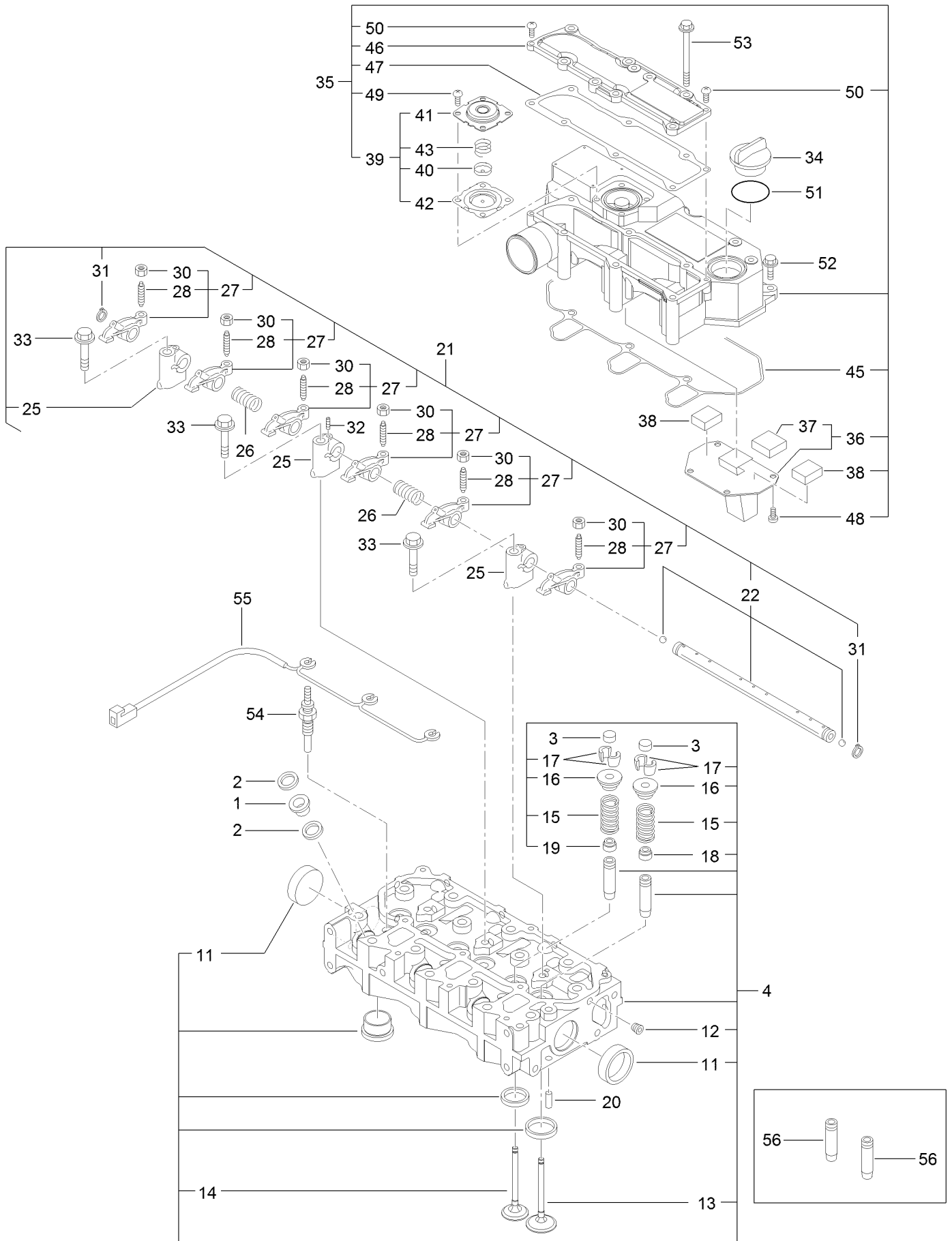
Mounting Flange and Oil Sump Assembly



Mounting Flange and Oil Sump Assembly (continued)

<i>Ref.</i>	<i>Part Number</i>	<i>Qty.</i>	<i>Description</i>	<i>Ref.</i>	<i>Part Number</i>	<i>Qty.</i>	<i>Description</i>
1	125-6995	2	Pin	11	135-4066	1	Spacer-Pan, Oil
2	140-7156	1	Flange-Mounting	12	134-1398	1	Oil Pan ASM
3	140-7181	9	Bolt	13	135-4068	1	Plug
4	125-7226	3	Bolt	15	136-8236	1	Washer-Seal
5	140-7152	4	Bolt	16	125-7212	1	Bolt
6	135-4062	2	Pin-Parallel	17	125-7216	1	Bolt
7	140-7160	1	Case Oil Seal ASM	18	125-7219	11	Bolt
9	135-4064	1	Seal-Oil	19	125-7220	3	Bolt
10	135-4065	6	Bolt				

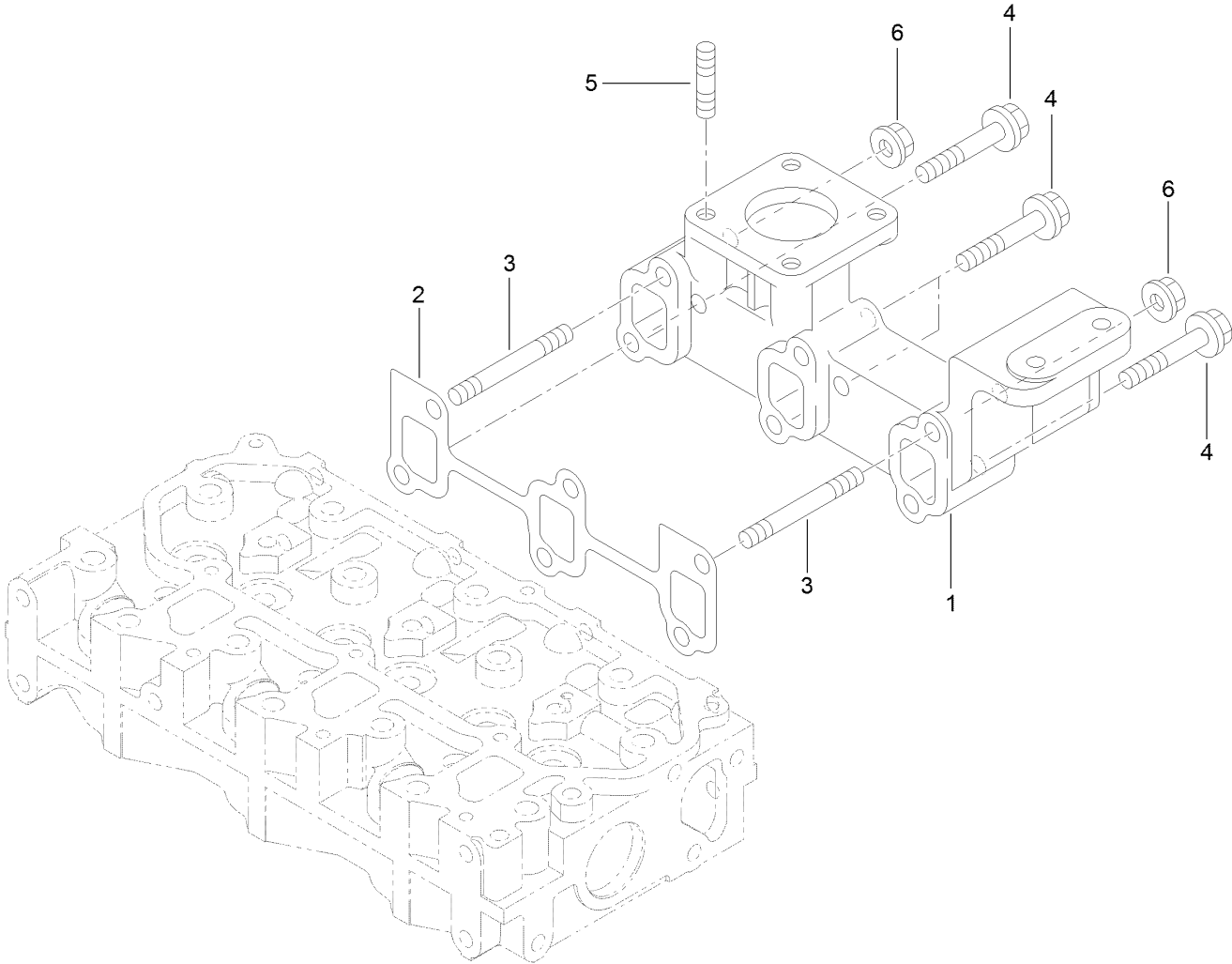
Cylinder Head and Cover Assembly



Cylinder Head and Cover Assembly (continued)

<i>Ref.</i>	<i>Part Number</i>	<i>Qty.</i>	<i>Description</i>	<i>Ref.</i>	<i>Part Number</i>	<i>Qty.</i>	<i>Description</i>
1	135-4069	3	Protector-Nozzle	34	125-6972	1	Cover-Filler
2	135-4070	6	Gasket-Nozzle	35	134-1402	1	Cylinder Head Cover ASM
3	135-4071	6	Cap-Valve	36	135-4085	1	Plate-Baffle
4	134-4001	1	Cylinder Head ASM	37	135-4086	1	Baffle-Breather
11	135-4073	2	Plug-Cup	38	135-4086	2	Baffle-Breather
12	133-6797	1	Plug	39	135-4088	1	Diaphragm ASM
13	135-4074	3	Valve-Suction	40	135-4089	1	Plate-Diaphragm
14	135-4075	3	Valve-Exhaust	41	135-4090	1	Cover-Diaphragm
15	135-4076	6	Spring-Valve	42	135-4091	1	Diaphragm
16	125-7054	6	Retainer	43	135-4092	1	Spring-Diaphragm
17	125-6914	12	Cotter	45	135-4093	1	Gasket-Cover, Cylinder Head
18	125-6915	3	Seal-Stem, Valve	46	134-1401	1	Cover-Head, Cylinder
19	125-6916	3	Seal-Stem, Valve	47	135-4095	1	Gasket
20	125-7184	2	Pin-Spring	48	125-7186	4	Screw
21	135-4077	1	Rocker Support ASM	49	125-7186	4	Screw
22	135-4078	1	Rocker Shaft ASM	50	127-3168	2	Screw
25	135-4079	3	Support-Arm, Rocker	51	125-7197	1	O-Ring
26	135-4080	2	Spring-Rocker	52	125-7209	3	Bolt
27	135-4081	6	Rocker Arm ASM	53	135-4096	6	Bolt
28	125-7013	6	Screw-Adjust, Valve	54	135-4291	3	Plug-Glow
30	125-7014	6	Nut	55	134-1443	1	Connector-Plug, Glow
31	135-7082	2	Ring	56	125-6917	6	Guide
32	135-4083	1	Screw				
33	125-7218	3	Bolt				

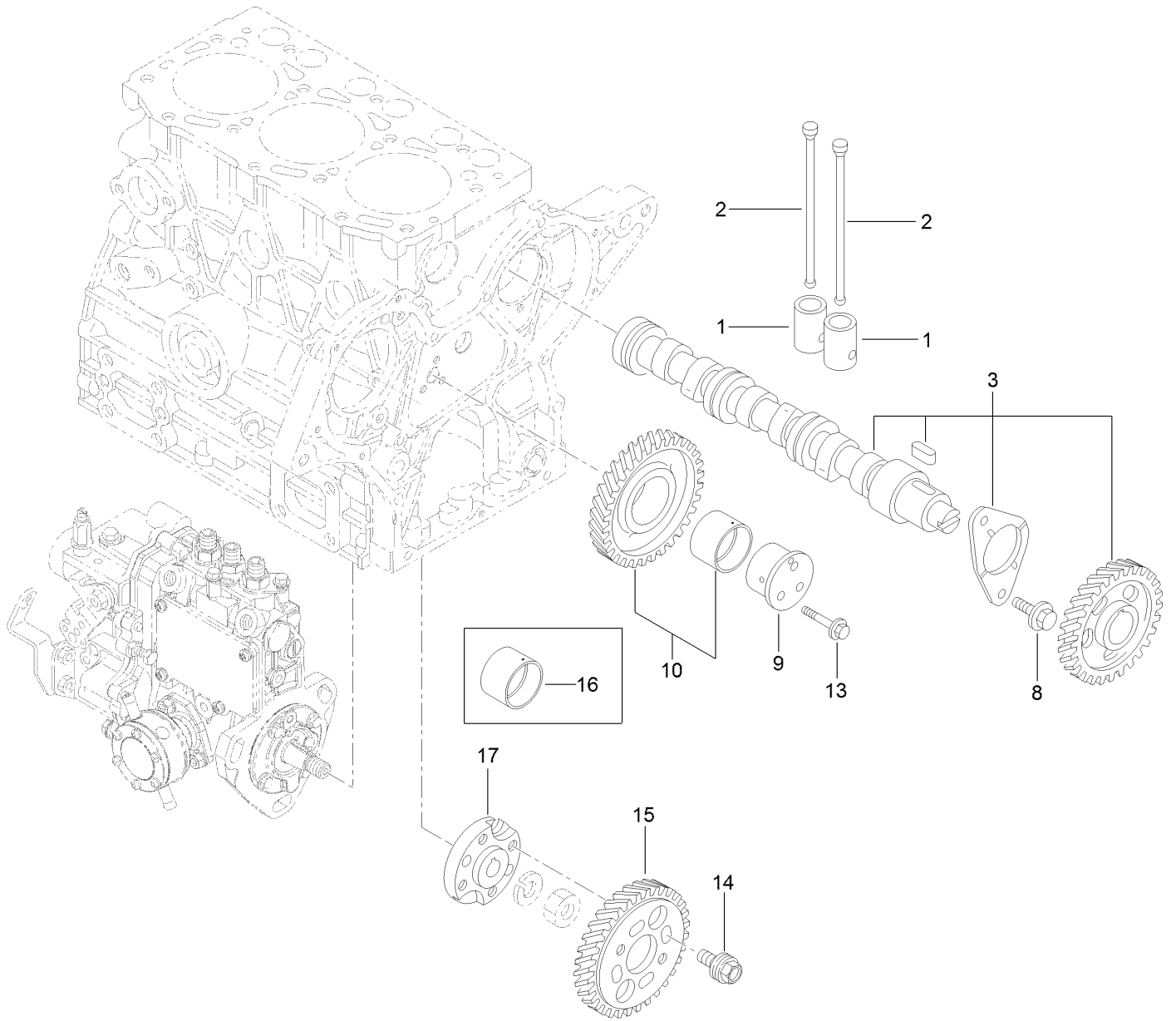
Exhaust Manifold Assembly



Exhaust Manifold Assembly (continued)

<i>Ref.</i>	<i>Part Number</i>	<i>Qty.</i>	<i>Description</i>	<i>Ref.</i>	<i>Part Number</i>	<i>Qty.</i>	<i>Description</i>
1	140-7161	1	Manifold-Exhaust	4	133-6714	4	Bolt
2	135-4107	1	Gasket-Manifold, Exhaust	5	125-6906	4	Stud
3	134-1404	2	Bolt-Stud	6	125-7229	2	Nut

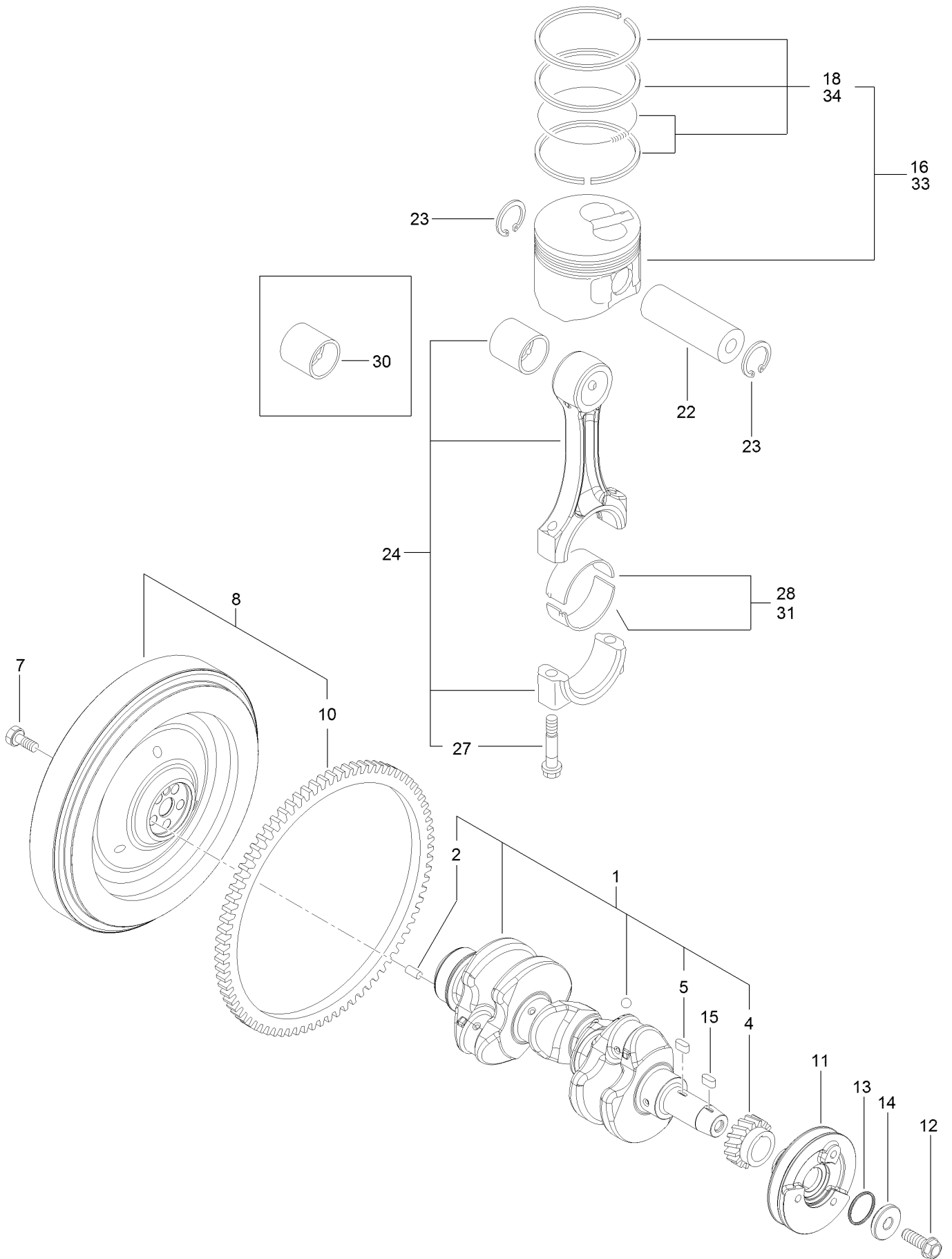
Camshaft and Driving Gear Assembly



Camshaft and Driving Gear Assembly (continued)

<i>Ref.</i>	<i>Part Number</i>	<i>Qty.</i>	<i>Description</i>	<i>Ref.</i>	<i>Part Number</i>	<i>Qty.</i>	<i>Description</i>
1	135-4108	6	Tappet	13	135-4147	3	Bolt
2	135-4109	6	Push-Rod	14	125-7020	4	Bolt
3	135-4110	1	Camshaft ASM	15	135-4148	1	Gear-Pump
8	125-7206	2	Bolt	16	135-4149	1	Bushing-Gear, Idle
9	135-4145	1	Shaft-Idle	17	135-4150	1	Flange
10	135-4146	1	Idle Gear ASM				

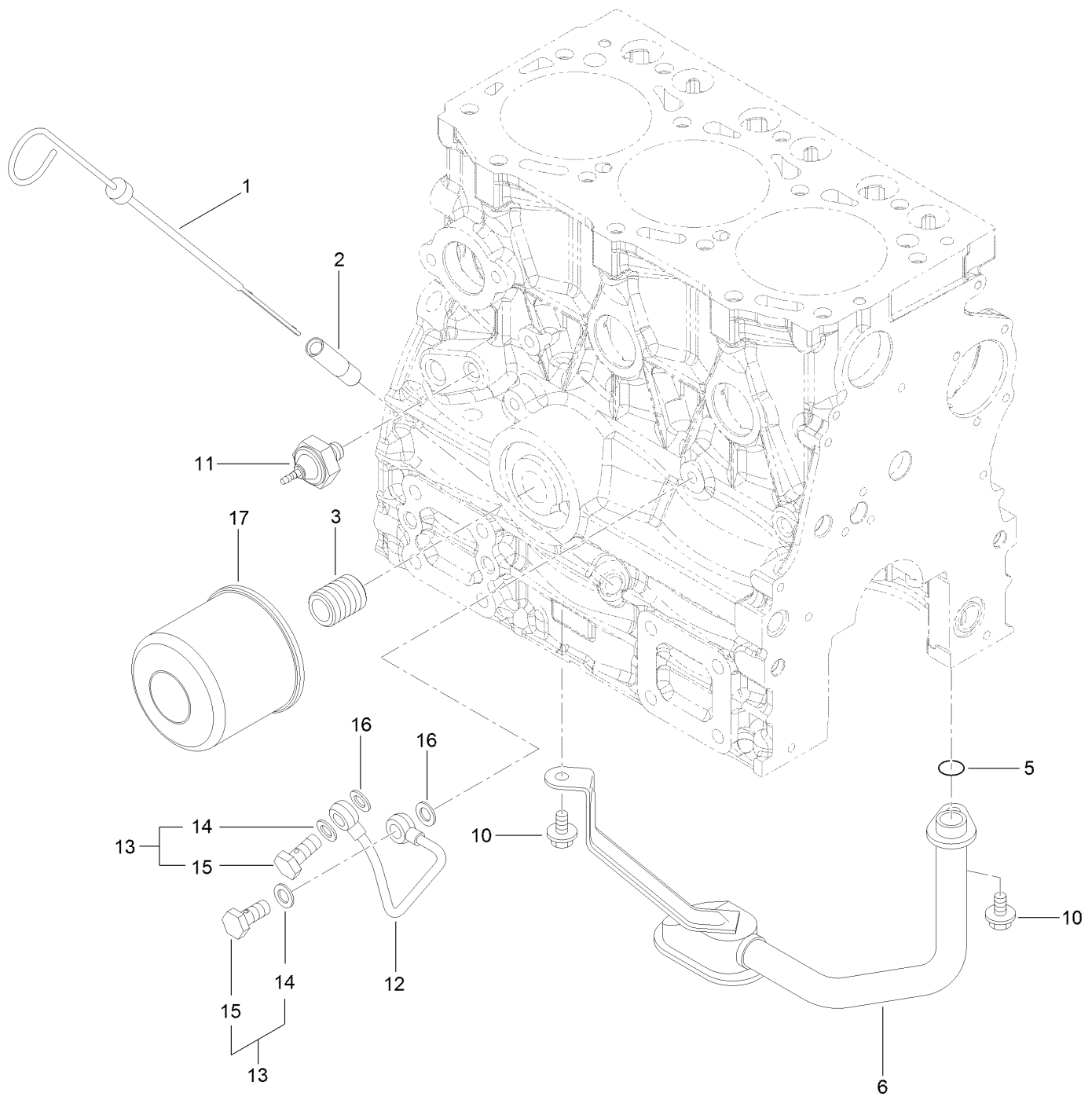
Crankshaft and Piston Assembly



Crankshaft and Piston Assembly (continued)

<i>Ref.</i>	<i>Part Number</i>	<i>Qty.</i>	<i>Description</i>	<i>Ref.</i>	<i>Part Number</i>	<i>Qty.</i>	<i>Description</i>
1	135-4152	1	Crankshaft ASM	16	135-4163	3	Piston ASM
2	125-6995	1	Pin	18	135-4164	3	Ring ASM
4	135-4153	1	Gear-Crankshaft	22	135-4165	3	Pin-Piston
5	135-4154	1	Key	23	135-4166	6	Ring
7	125-6951	5	Bolt	24	134-4005	3	Connecting Rod ASM
8	140-7164	1	Flywheel ASM	27	135-4168	6	Bolt-Rod, Connecting
10	125-6943	1	Gear	28	135-4169	3	Bearing-Pin, Crank
11	135-4158	1	V-Pulley, Crankshaft	30	134-4006	3	Bushing-Pin, Piston
12	135-4159	1	Bolt-Flange	31	135-4171	3	Bearing-Pin (0.25)
13	134-4004	1	Packing-Washer	33	134-4007	3	Piston ASM (0.25 Os)
14	135-4161	1	Washer	34	135-4173	3	Ring ASM
15	135-4154	1	Key				

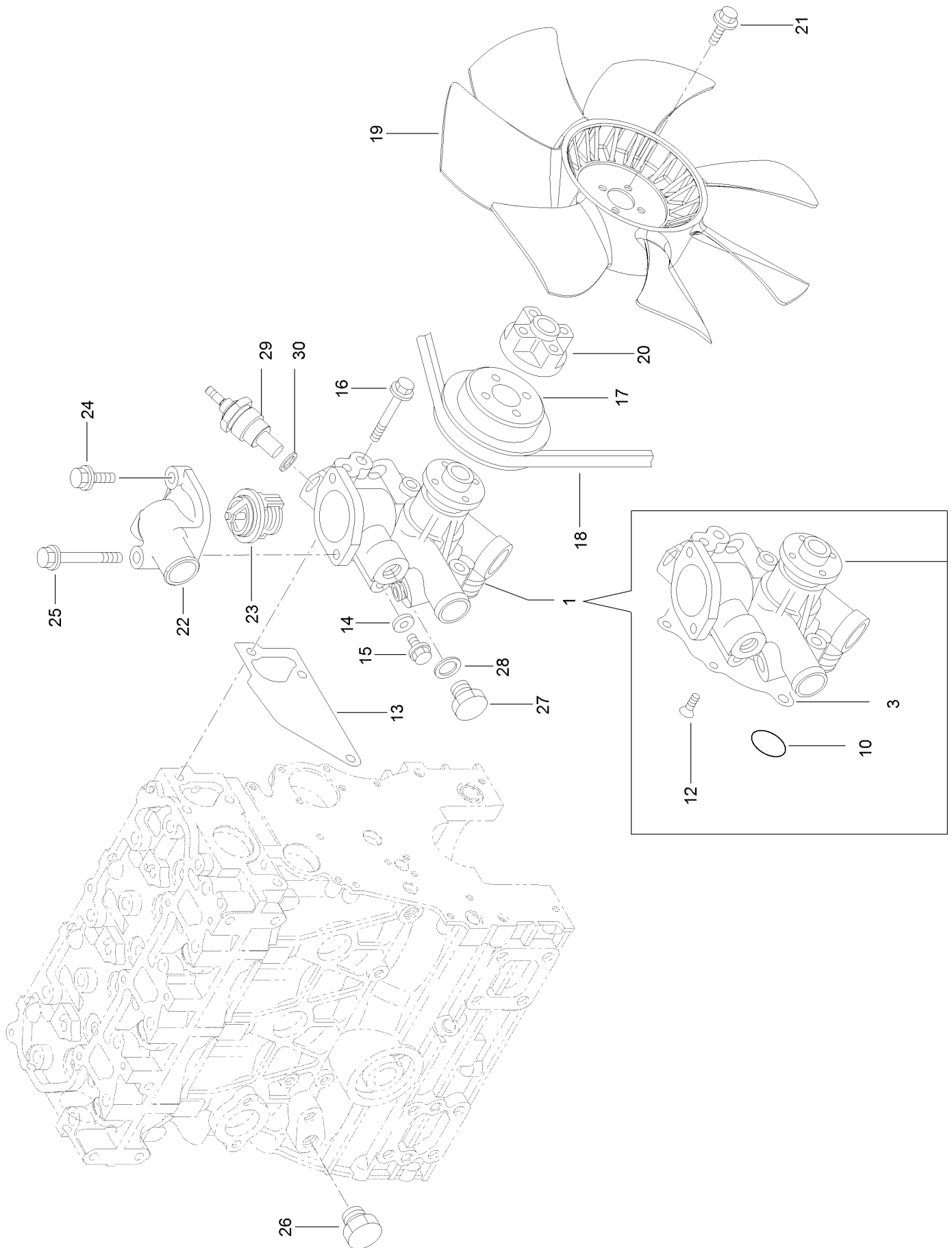
Lubrication and Oil System Assembly



Lubrication and Oil System Assembly (continued)

<i>Ref.</i>	<i>Part Number</i>	<i>Qty.</i>	<i>Description</i>	<i>Ref.</i>	<i>Part Number</i>	<i>Qty.</i>	<i>Description</i>
1	134-1413	1	Dipstick	12	135-4182	1	Pipe-Oil
2	125-6954	1	Guide-Dipstick	13	125-6988	2	Joint Bolt ASM
3	134-4008	1	Stud	14	125-7174	2	Washer-Seal
5	135-4178	1	O-Ring	15	125-7194	2	Bolt-Joint
6	134-1414	1	Oil Inlet Pipe ASM	16	125-7174	2	Washer-Seal
10	125-7205	2	Bolt	17	135-4181	1	Filter-Oil, Engine
11	134-1377	1	Switch-Hydraulic				

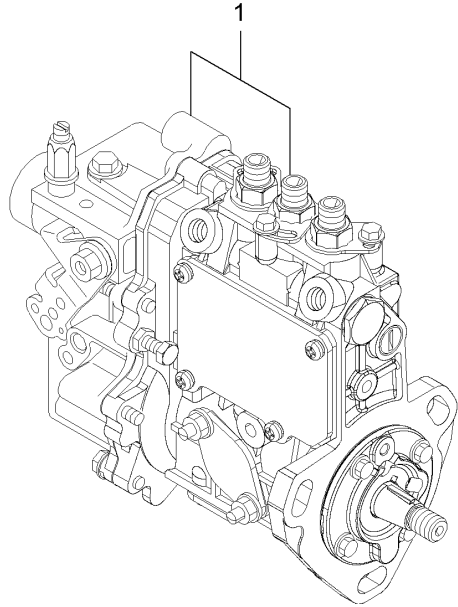
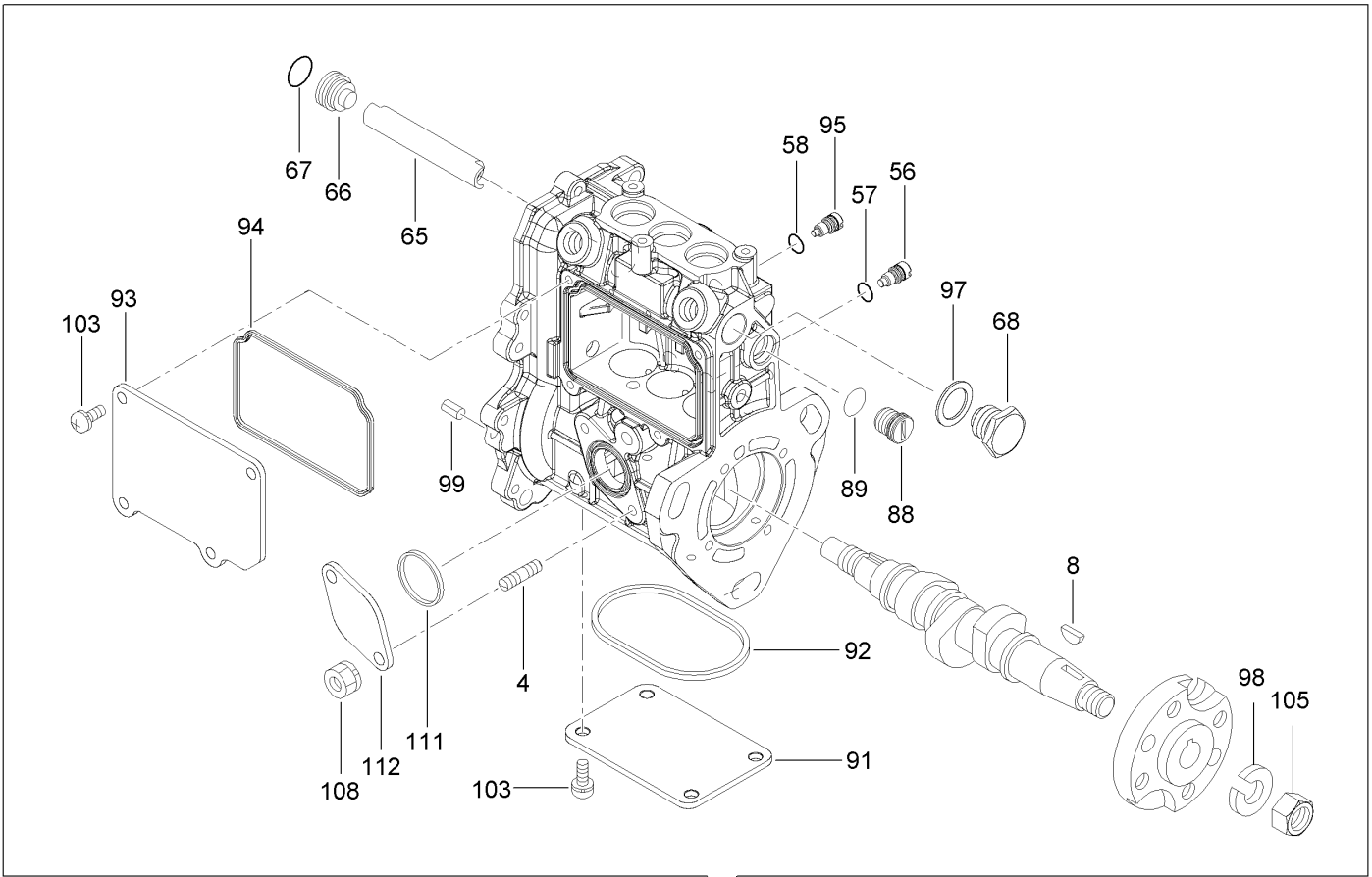
Cooling Water System Assembly



Cooling Water System Assembly (continued)

<i>Ref.</i>	<i>Part Number</i>	<i>Qty.</i>	<i>Description</i>	<i>Ref.</i>	<i>Part Number</i>	<i>Qty.</i>	<i>Description</i>
1	134-4009	1	CW Pump ASM	21	131-2739	4	Bolt
3	135-4188	1	Gasket	22	135-4199	1	Cover-Thermostat
10	135-4190	1	O-Ring	23	135-4200	1	Thermostat
12	133-2504	4	Screw	24	135-4201	1	Bolt
13	135-4193	1	Gasket-Pump, Water	25	135-4202	1	Bolt
14	125-7192	1	Gasket	26	125-7171	1	Plug-Drain
15	125-7212	1	Bolt	27	125-6953	1	Plug
16	125-7220	3	Bolt	28	125-6979	1	Gasket
17	134-1417	1	V-Pulley	29	134-3128	1	Sensor-Temperature (X1 Terminal)
18	140-7179	1	V-Belt	30	134-4010	1	Gasket
19	140-7157	1	Fan-Cooling				
20	131-2705	1	Spacer				

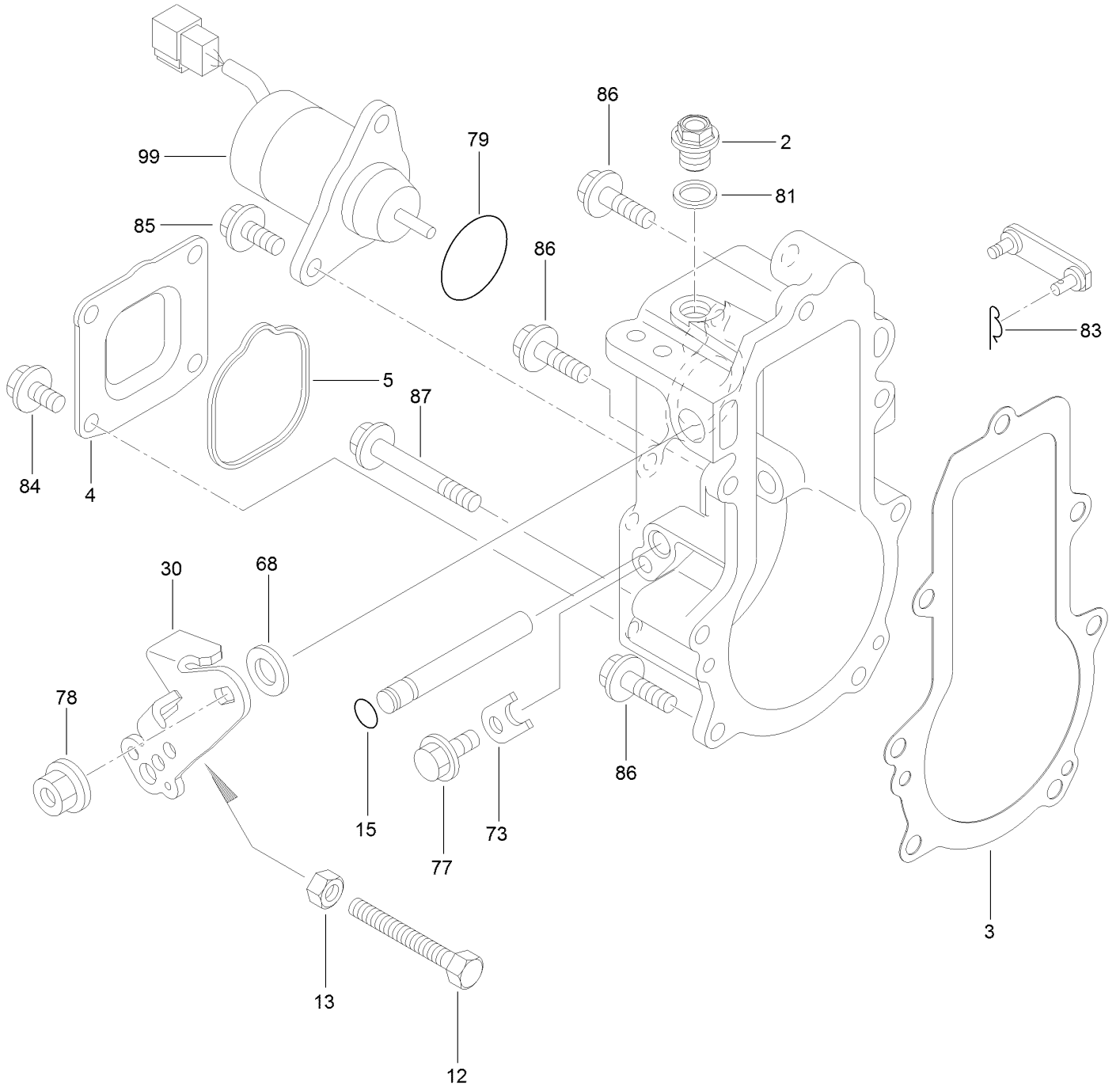
Fuel Injection Pump Assembly



Fuel Injection Pump Assembly (continued)

<i>Ref.</i>	<i>Part Number</i>	<i>Qty.</i>	<i>Description</i>	<i>Ref.</i>	<i>Part Number</i>	<i>Qty.</i>	<i>Description</i>
1	140-7183	1	Fuel Injection Equipment ASM	91	135-4215	1	Cover
4	135-4205	2	Bolt-Stud	92	135-4216	1	Gasket
8	135-4206	1	Key-Feather, Woodruff	93	135-4217	1	Cover
56	125-7156	3	Stopper	94	135-4218	1	Gasket
57	135-4207	3	O-Ring	95	135-4219	1	Stopper-Rack
58	135-4207	1	O-Ring	97	136-8236	1	Washer-Seal
65	135-4209	1	Deflector	98	135-4220	1	Washer-Spring
66	135-4210	1	Plug-Deflector	99	125-7183	2	Pin-Spring
67	135-4211	1	O-Ring	103	135-4221	8	Screw
68	135-4212	1	Plug-Deflector	105	133-2506	1	Nut
88	135-4213	1	Plug-Rack	108	135-4222	2	Nut
89	135-4214	1	O-Ring	111	135-4223	1	Gasket
				112	135-4224	1	Cover-Pump

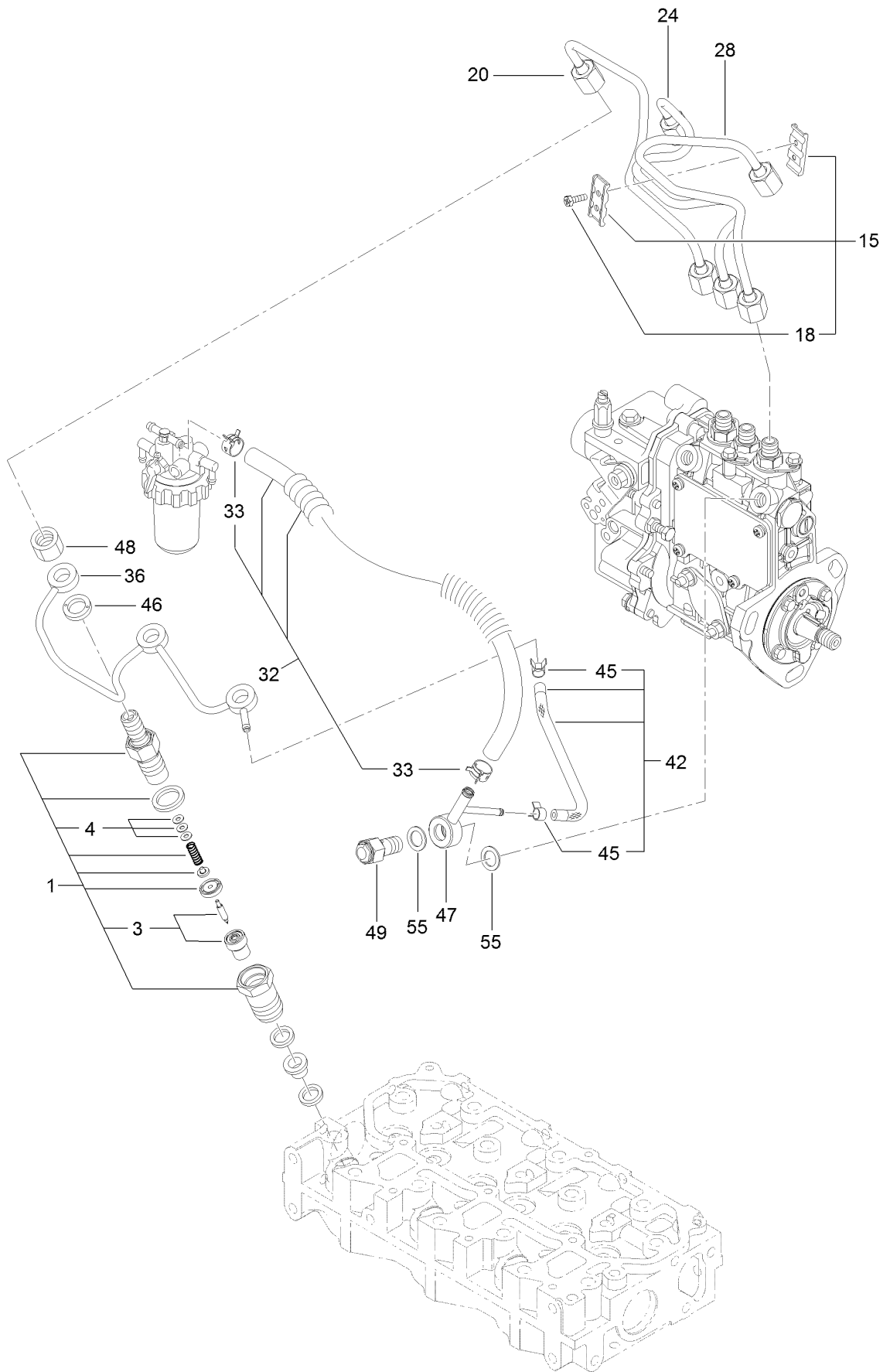
Governor Assembly



Governor Assembly (continued)

<i>Ref.</i>	<i>Part Number</i>	<i>Qty.</i>	<i>Description</i>	<i>Ref.</i>	<i>Part Number</i>	<i>Qty.</i>	<i>Description</i>
2	135-4226	1	Plug	77	125-7205	1	Bolt
3	135-4227	1	Gasket	78	134-4012	1	Nut-M8
4	140-7159	1	Cover-Case, Governor	79	134-1520	1	O-Ring
5	134-1435	1	Gasket	81	125-7175	1	Washer-Seal
12	134-4013	1	Bolt-Limit, Idle	83	134-1529	1	Pin
13	134-4014	1	Nut	84	125-7205	4	Bolt
15	135-4207	1	O-Ring	85	125-7207	2	Bolt
30	134-1385	1	Lever-Control	86	125-7209	4	Bolt
68	134-1518	1	Shim Set	87	136-8256	3	Bolt
73	134-1395	1	Stopper-Shaft	99	140-7172	1	Stop-Solenoid

Fuel Injection Valve Assembly



Fuel Injection Valve Assembly (continued)

<i>Ref.</i>	<i>Part Number</i>	<i>Qty.</i>	<i>Description</i>	<i>Ref.</i>	<i>Part Number</i>	<i>Qty.</i>	<i>Description</i>
1	135-4229	3	Nozzle ASM	33	140-7167	2	Clamp-Hose (11.5)
3	135-4230	3	Nozzle ASM	36	134-1431	1	Return Pipe ASM
4	135-4231	3	Adjusting Shim Set	42	140-7155	1	Fuel Pipe ASM
15	134-1488	1	Retainer-Pipe	45	125-6970	2	Clip
18	125-7027	2	Bolt	46	135-4237	3	Gasket
20	135-4233	1	Pipe ASM (Inj No1)	47	135-4239	1	Joint-Over Flow
24	135-4234	1	Pipe ASM (Inj No2)	48	135-4240	3	Nut-Nozzle
28	135-4235	1	Pipe ASM (Inj No3)	49	135-4241	1	Check Valve ASM
32	140-7154	1	Fuel Pipe ASM	55	125-7176	2	Washer-Seal

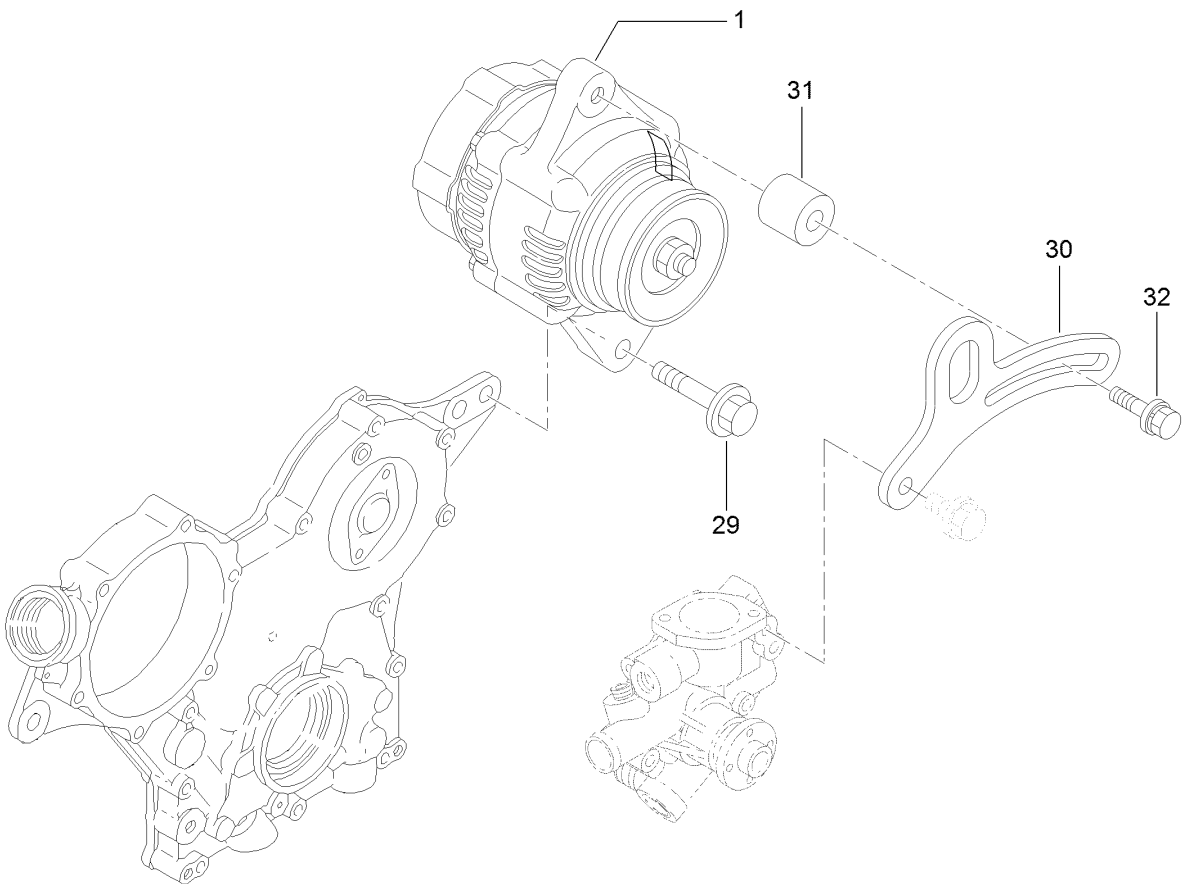
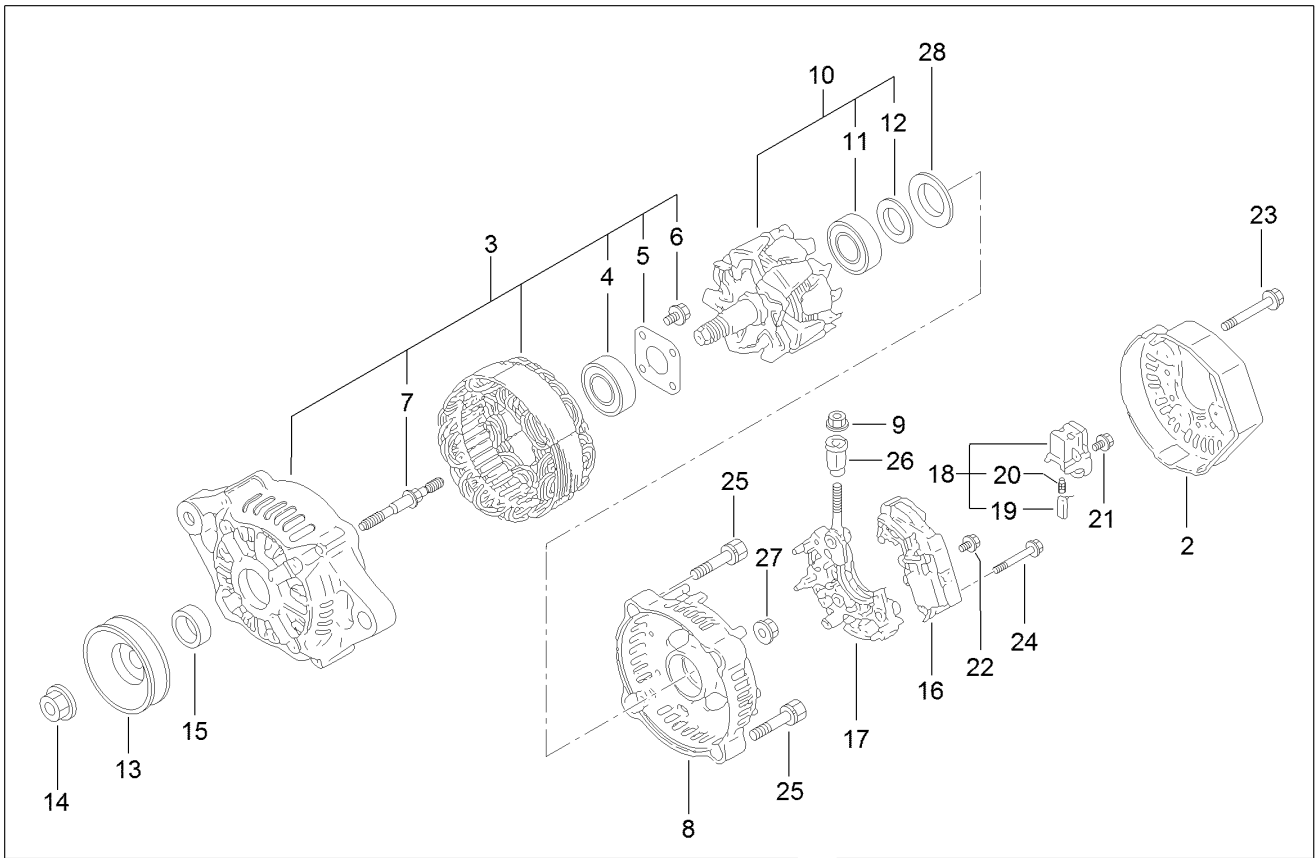
Fuel Pipe Assembly (continued)

<i>Ref.</i>	<i>Part Number</i>	<i>Qty.</i>	<i>Description</i>	<i>Ref.</i>	<i>Part Number</i>	<i>Qty.</i>	<i>Description</i>
1	139-6234	1	Fuel Filter ASM	10	134-1535	1	O-Ring
2	134-1373	1	Spring-Valve, Fuel	11	140-7158	1	Bracket, Filter
3	134-1454	1	Lever-Fuel	12	140-7180	1	Bolt
4	134-1459	1	Cup-Strainer, Fuel	13	125-7214	2	Bolt
5	134-1371	1	O-Ring	14	135-4242	1	Bolt-Joint, Pipe
6	134-1376	1	Ring-Retaining, Cup	15	135-4243	1	Joint-Pipe
7	134-1458	1	Spring-Element	16	140-7153	1	Fuel Pipe ASM
8	134-3085	1	Element-Filter, Fuel	17	140-7167	2	Clamp-Hose (11.5)
9	134-1375	1	Screw-Pan	20	125-7176	2	Washer-Seal

Starter Motor Assembly (continued)

<i>Ref.</i>	<i>Part Number</i>	<i>Qty.</i>	<i>Description</i>	<i>Ref.</i>	<i>Part Number</i>	<i>Qty.</i>	<i>Description</i>
1	135-4244	1	Starter ASM	18	135-4261	1	Gear
2	135-4245	1	Yoke ASM	19	135-4262	1	Lever
3	135-4246	2	Starter Kit	20	135-4263	1	Switch ASM
4	135-4247	1	Holder ASM	21	135-4264	1	Ring
5	135-4248	4	Spring	22	135-4265	1	Ring
6	135-4249	1	Armature ASM	23	135-4266	1	Nut
7	135-4250	1	Clutch ASM	24	135-4267	1	Washer
8	135-4251	1	Housing ASM	25	135-4268	1	Washer
9	135-4252	1	Bearing-Needle	26	135-4269	1	Washer
10	135-4253	1	Frame ASM	27	135-4270	1	Plate
11	135-4254	1	Bearing	28	135-4271	1	Nut
12	135-4255	1	Cover	29	135-4272	2	Nut
13	135-4256	1	Bearing ASM	30	135-4273	2	Bolt-Through
14	135-4257	1	Bearing	32	135-4274	2	Screw
15	135-4258	1	Shaft ASM	33	135-4275	1	Cover-Terminal
16	135-4259	1	Bearing	34	135-4276	1	Nut
17	135-4260	3	Gear	35	133-2496	2	Bolt

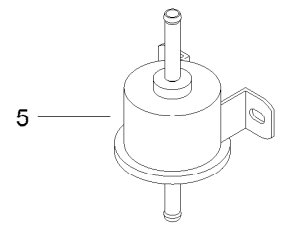
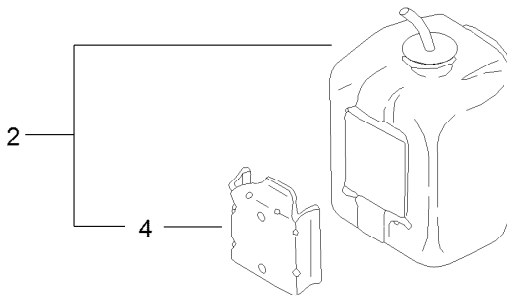
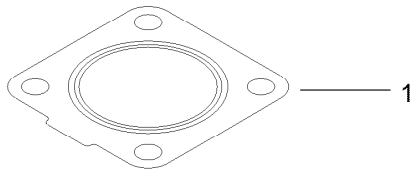
Generator Assembly



Generator Assembly (continued)

<i>Ref.</i>	<i>Part Number</i>	<i>Qty.</i>	<i>Description</i>	<i>Ref.</i>	<i>Part Number</i>	<i>Qty.</i>	<i>Description</i>
1	140-7162	1	Alternator (12V-40A)	17	127-2963	1	Holder
2	127-2999	1	Cover	18	127-2993	1	Holder
3	135-4025	1	Frame ASM	19	127-2956	2	Brush ASM
4	127-2958	1	Bearing-Ball	20	127-2964	2	Spring
5	127-2959	1	Plate-Retainer	21	127-2965	6	Screw
6	127-2960	4	Screw	22	127-2966	1	Screw
7	127-2961	2	Stud	23	127-2967	3	Bolt
8	140-7163	1	Rear Frame ASM	24	127-2968	2	Screw
9	127-3190	1	Nut	25	127-2969	2	Bolt
10	127-2951	1	Rotor ASM	26	127-2970	1	Bushing-Insulation
11	127-2983	1	Bearing-Ball	27	127-2971	2	Nut
12	127-2962	1	Cover	28	127-2972	1	Washer
13	127-2954	1	Pulley	29	135-4277	1	Bolt
14	127-2955	1	Nut	30	140-7151	1	Adjuster-Belt
15	127-2957	1	Collar	31	140-7166	1	Spacer-Adjuster
16	134-4018	1	Regulator ASM	32	125-7134	1	Bolt

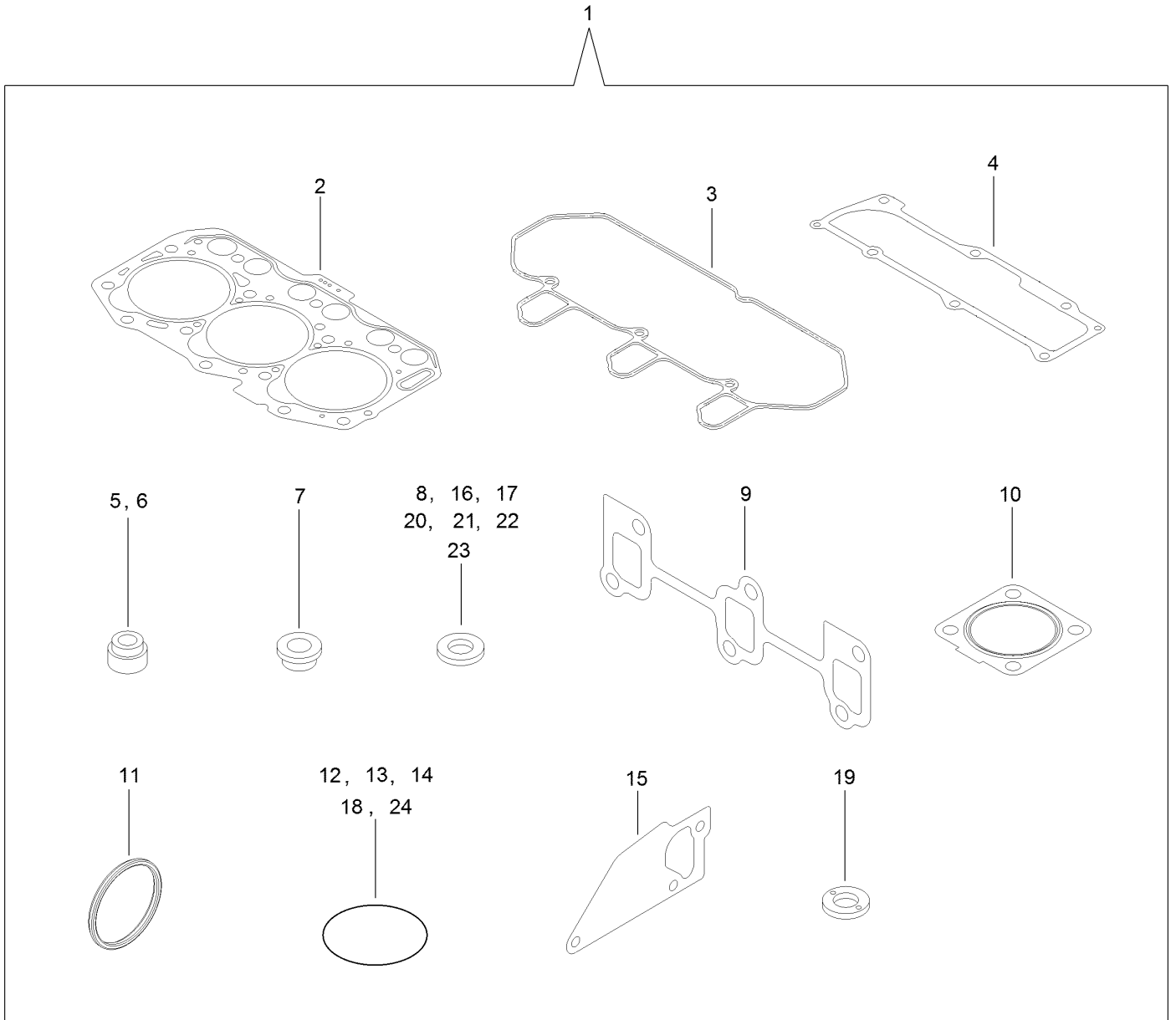
Accessory Assembly



Accessory Assembly (continued)

<i>Ref.</i>	<i>Part Number</i>	<i>Qty.</i>	<i>Description</i>	<i>Ref.</i>	<i>Part Number</i>	<i>Qty.</i>	<i>Description</i>
1	134-1383	1	Gasket-Silencer	5	121-5613	1	Pump-Fuel, Electric
2	140-7185	1	Tank ASM	11	134-1507	1	Timer
4	140-7165	1	Bracket-Tank				

Gasket Set



Gasket Set (continued)

<i>Ref.</i>	<i>Part Number</i>	<i>Qty.</i>	<i>Description</i>	<i>Ref.</i>	<i>Part Number</i>	<i>Qty.</i>	<i>Description</i>
1	140-7184	1	Gasket Set	13	135-4058	2	O-Ring
2	135-4038	1	Head Gasket Set	14	135-4178	1	O-Ring
3	135-4093	1	Gasket-Cover, Cylinder Head	15	135-4193	1	Gasket-Pump, Water
4	135-4095	1	Gasket	16	125-6979	1	Gasket
5	125-6915	3	Seal-Stem, Valve	17	134-4010	1	Gasket
6	125-6916	3	Seal-Stem, Valve	18	125-6957	1	O-Ring
7	135-4069	3	Protector-Nozzle	19	135-4237	3	Gasket
8	135-4070	6	Gasket-Nozzle	20	125-7174	4	Washer-Seal
9	135-4107	1	Gasket-Manifold, Exhaust	21	125-7176	4	Washer-Seal
10	134-1383	1	Gasket-Silencer	22	136-8236	1	Washer-Seal
11	134-4004	1	Packing-Washer	23	125-7192	1	Gasket
12	127-2973	1	O-Ring	24	125-7197	2	O-Ring

Attachments and Accessories

For 31901A — Groundsmaster 3200 All-Wheel Drive Traction Unit

Product Name	Model/Part
Blade Crate (Snowplow), ATV Poly S	STB13567B
Slope Sensor Kit.....	31952
CE Kit, Groundsmaster 3200 or 3300 Series Traction Unit.....	31953
CE Kit, Groundsmaster 3200 or 3300 Series 60in Side Discharge Rotary Mower.....	31957
CE Kit, Groundsmaster 3200 or 3300 Series 72in Side Discharge Rotary Mower.....	31958
42 Pound Weight	114-4096
CE Kit, Groundsmaster 3200 or 3300 Series 60in Rear Discharge Rotary Mower	31959
CE Kit, Groundsmaster 3200 or 3300 Series 72in Rear Discharge Rotary Mower	31960
Auxiliary HYD Kit	31966
60in SD Deck.....	31970
60in RD Deck.....	31971
72in SD Deck.....	31972
72in RD Deck.....	31973
60in RD Deck, T2	31974
72in RD Deck, T2	31975
Recycler Kit 60in/152cm SD	31976
PX Hydraulic Fluid (55 Gal).....	133-8087
Recycler Kit, 60In/152cm RD	31977
PX Hydraulic Fluid (5 Gal)	133-8086
Recycler Kit, 72In/183cm SD	31978
Recycler Kit, 72In/183cm RD	31979
Seat Assembly-Standard.....	32301
Seat Assembly-Mechanical Suspension.....	32302
Air Ride Seat Kit	32303
Storage Box Kit.....	31983
USB Charging Kit.....	31984
Recycler Kit 60in/152cm Rd T2.....	31985
Recycler Kit 72in/183cm Rd T2.....	31986
Cab-Winter, GM3000 Series.....	31990
Road Light Kit (North America)	31991
Road Light Kit (EU).....	31992
Accessory Control Kit	31994
Led Beacon Kit	31996
Led Work-light Kit (GM3200/3300, Rops)	31997
15-Pound Cast Weight.....	112-7059-01
Storage Bag Kit.....	139-2020
White Universal Sunshade	30669
SMV Kit.....	139-2339
Red Universal Sunshade	30671
Switch Panel-Universal Sunshade.....	03248
Wrench-Caster Cap/Latch	138-6367
Operator Cooling Fan	03247
Work Lights Kit, Groundsmaster and Reelmaster Traction Units with Universal Sunshade.....	140-1554
Beacon Kit	138-2699
Air Filter	108-3811
Element-Filter, Fuel	134-3085

Attachments and Accessories (continued)

Semi-Gloss Black Spray Paint.....	361-9
Filter-Spin On, Fuel/Water	110-9049
Transmission Oil Filter	86-3010
Filter-Oil, Engine.....	135-4181
Hydraulic Hose Kit	31999
Power Harness Kit.....	140-1559
Weight Kit	144-0480
Plate-Weight, 25 LBS	144-0484
Paint-Red Pen	112-0177
Seat Cover (with Arm Rest)	117-0095
Blade Kit, Std (24.5) 3pk.....	144-3911
Blade Kit, Med Flow (20.5) 3pk.....	144-3912
Blade Kit, High Flow (20.5) 3pk.....	144-3913
Paint-Black Bottle	112-0176
Paint-Red Bottle	112-0178
Blade Kit, Atomic (20.5) 3pk	144-3914
Toro Red 12oz Aerosol Can.....	361-10
Blade Kit, Low Flow (24.5) 3pk	144-3915
Blade Kit, Recycling (24.5) 3pk.....	144-3916
Blade Kit, Low Flow (20.5) 3pk	144-3917
Blade Kit, Recycling (20.5) 3pk.....	144-3918
Blade Kit, 24.50 Low Flow 3pk.....	144-3962
Blade Kit, 24.50 Recycler 3pk.....	144-3963
Blade Kit, 20.50 Low Flow 3pk.....	144-3964
Blade Kit, 20.50 Recycler 3pk.....	144-3965
Blade Kit, 24.50 Atomic 3pk.....	144-3966
Blade Kit, 20.50 Atomic 3pk.....	144-3967
Hose Replacement Kit, Groundsmaster 3200 or 3300 Series Traction Unit.....	144-3960
Boss PLOW, 5ft Straight Blade	MSC23345
Universal Wireless Hourmeter Kit.....	144-2436

Notes:

Notes:



Count on it.