



MODEL NO. 41564-70101 and up	PARTS CATALOG
MULTI PRO® 5500 TURF SPRAYER	

SAFETY AND INSTRUCTION DECALS

The following safety and instruction decals are installed on the vehicle. If any become damaged or illegible, replace them. Decal part numbers are listed below and in the parts catalog. Order replacements from your Authorized TORO Distributor.



Part No. 36-3400: One Located on right Front Fender, One on left Front Fender.



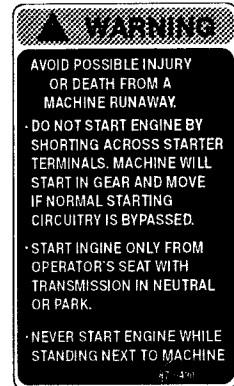
Part No. 87-0450: Located on left side of Center Console.



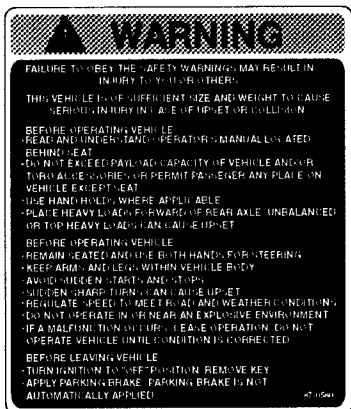
Part No. 41176: Located on Dash Panel, above Key Switch.



Part No. 94-7171: Located on Dash Panel, right of Light Switch.



Part No. 87-0430: Located behind Left Front Fender.



Part No. 87-0580: Located on Left Front Fender.



Part No. 71-3730: Located on top of Gasoline Tank.



Part No. 94-7132: Located on Floor Board, left of Brake Lock Pedal.



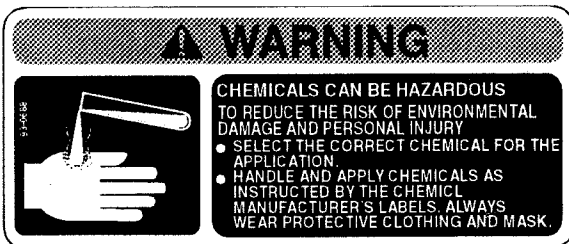
Part No. 92-0479: Located on Floorboard, right of Traction Pedal.



Part No. 85-4730: Located on top of Hydraulic Tank.



Part No. 94-7172: Located on left side of Dash Panel, under Steering Wheel.



Part No. 93-0688: Located on Spray Tank Lid.



Part No. 42958: Located on left radiator brace.



Part No. 94-7173: Located on Dash Panel, above Indicator Lights.



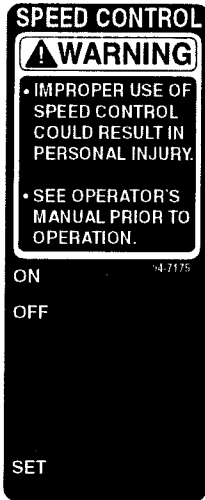
Part No. 94-7133: Located on Front of Front Console.

SAFETY AND INSTRUCTION DECALS

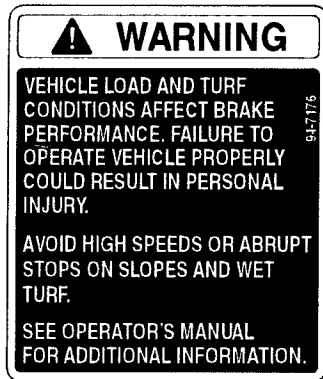
The following safety and instruction decals are installed on the vehicle. If any become damaged or illegible, replace them. Decal part numbers are listed below and in the parts catalog. Order replacements from your Authorized TORO Distributor.



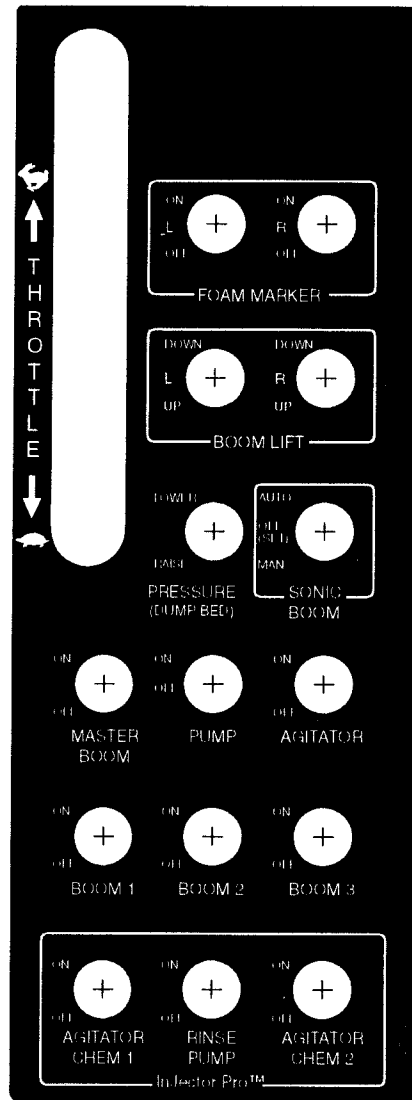
Part No. 62-5550: Located on Front of Front Console.



Part No. 94-7175: Located on Dash Panel, right of Steering Wheel.



Part No. 94-7176: Located on Dash panel, under grab bar.



Part No. 94-7134: Located on the Center Console.



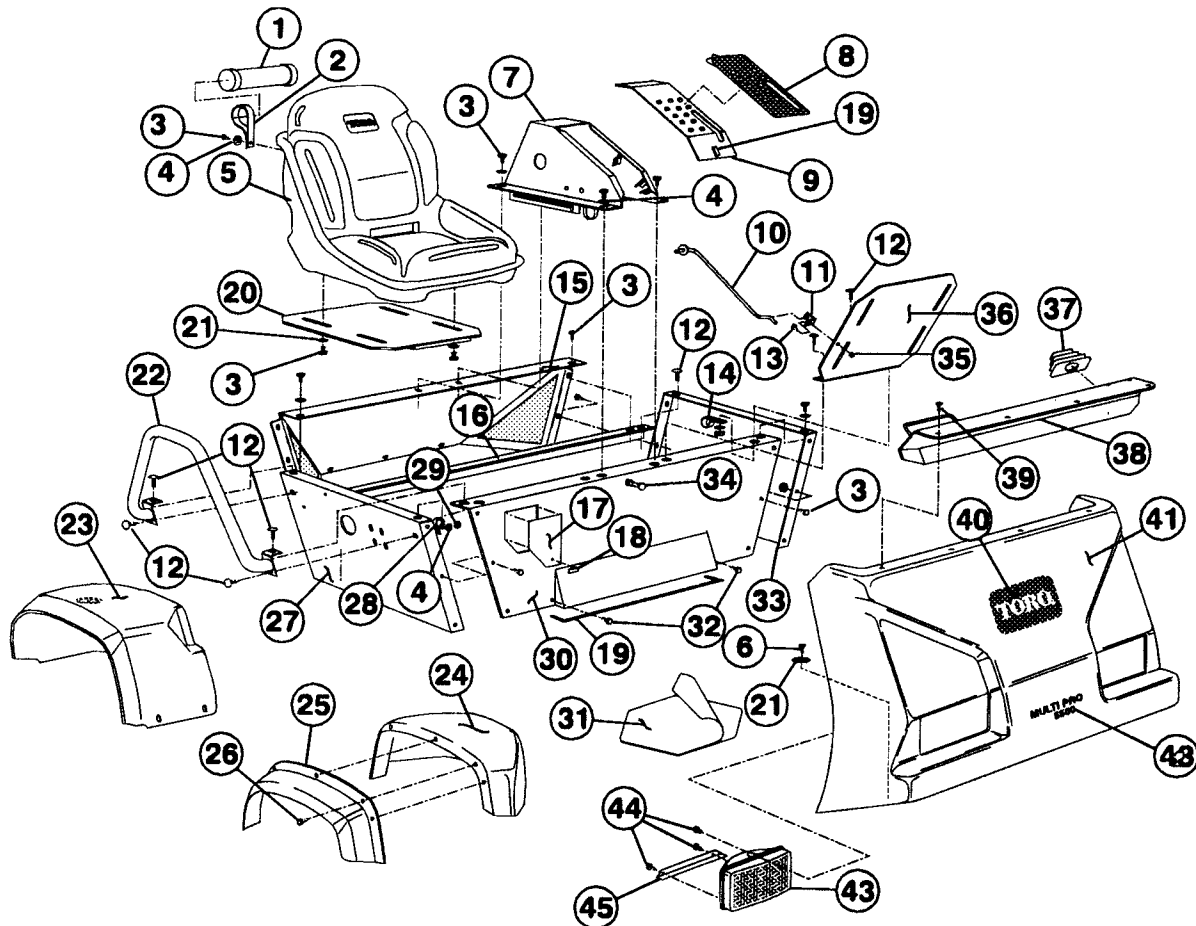
Part No. 65-3090: Located on left side of Dash Panel.



Part No.95-2136: Located on the right end of the Dash.



Part No. 87-0570: Located on Rear Tank Band.

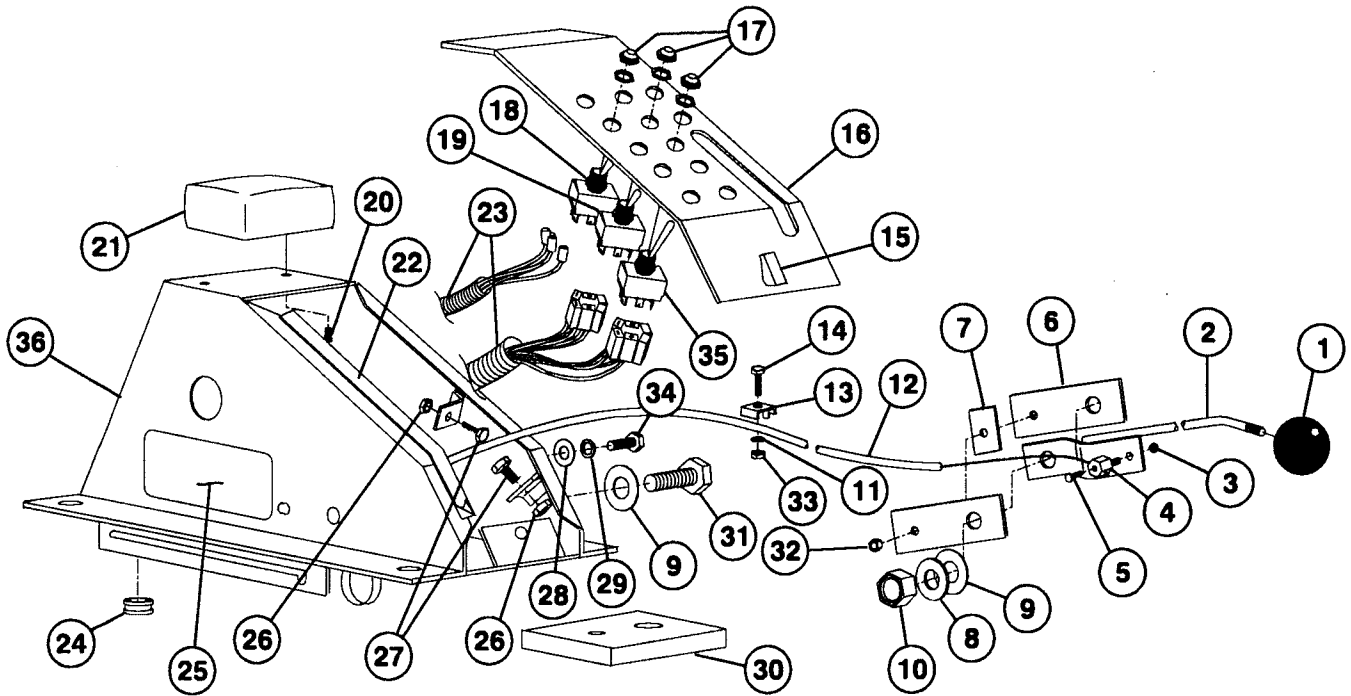


SHROUDS

#	Part No.	Description	Qty
1	42559	Manual Tube	1
2	42560	Manual Tube Bracket	2
3	20-24-AGD	Hex Hd. Cap Screw, 5/16" x 3/4"	28
4	24-10-BD	Flat Washer	58
5	92-1180	Seat	2
6	20-26-AGD	Cap Screw, 5/16" x 1"	16
7	94-8534	Center Console Assembly	1
*	94-7178	Foam - Center Console	2
8	94-7134	Decal - Control Panel	1
9	94-8535	Switch Panel Assembly	1
10	94-7204	Seat Prop Rod Assembly	2
11	94-7203	Seat Prop Rod Bracket	2
12	25-25-AGD	Carriage Bolt	12
13	20-2-AGD	Cap Screw, 1/4" x 5/8"	2
14	41230	"R"-Clamp	4
15	95-2164	Rear Assembly Panel	1
16	94-7090	Seat Box Angle Assembly	1
17	95-2166	Access Panel	1
*	95-2192	Access Panel, Foam Insulation	1
18	74-5950	Swell Latch	1
19	95-2178	Radiator Intake Trim	1
20	94-7056	Seat Panel Assembly - R.H.	1
*	94-7085	Trim	1
21	356303	Special Flat Washer	22
22	94-7046	Hip Restraint	2
23	93-6498	Rear Fender	2
*	94-7127	Rear Splash Guard	2
*	25-25-AGD	Carriage Bolt	8
*	24-10-BD	Flat Washer	12
*	22-12-AGD	Lock Nut, 5/16" two way, plated	12

#	Part No.	Description	Qty
*	20-26-AGD	Cap Screw, 5/16" x 1"	4
24	94-8532	Front Fender - R.H.	1
*	94-8531	Front Fender - L.H.	1
*	20-26-AGD	Cap Screw, 5/16" x 1"	8
*	356303	Special Flat Washer	8
25	94-7074	Front Fender Flare - R.H.	1
*	94-7075	Front Fender Flare - L.H.	1
*	94-7071	Front Splash Guard	2
26	21-98-AGOD	Mach Screw, #10 x 5/8"	14
*	3256-14	SAE Washer	14
*	22-9-AJD	Hex Nut #10, Plated	14
27	95-2163	R.H. Seat Box Panel	1
28	2412-104	"R"-Clamp	2
29	22-12-AJD	Hex Nut, 5/16"	22
30	95-2162	Front Seat Box Panel	1
*	95-2191	Front Panel, Foam Insulation	1
31	94-7135	Safety Track	2
32	20-22-AGD	Cap SCREW, 5/16" x 1/2"	2
33	94-7042	L.H. Seat Box Panel	1
34	42611	Choke Cable	1
35	32146-17	Lock Nut, 1/4"	2
36	94-7059	Seat Panel Assembly - L.H.	1
*	94-7085	Trim	1
37	94-7078	Steering Bellow	1
38	94-8533	Dash Panel Assembly	1
*	94-8513	Self-Retaining Clip	8
*	94-7139	Dash Upper Mounting Clip	2
*	94-7140	Dash Lower Mounting Clip	2
39	92-3911	Flange Bt. Hd. Cap Screw	20
40	62-5550	Decal - Toro	1

* Not illustrated

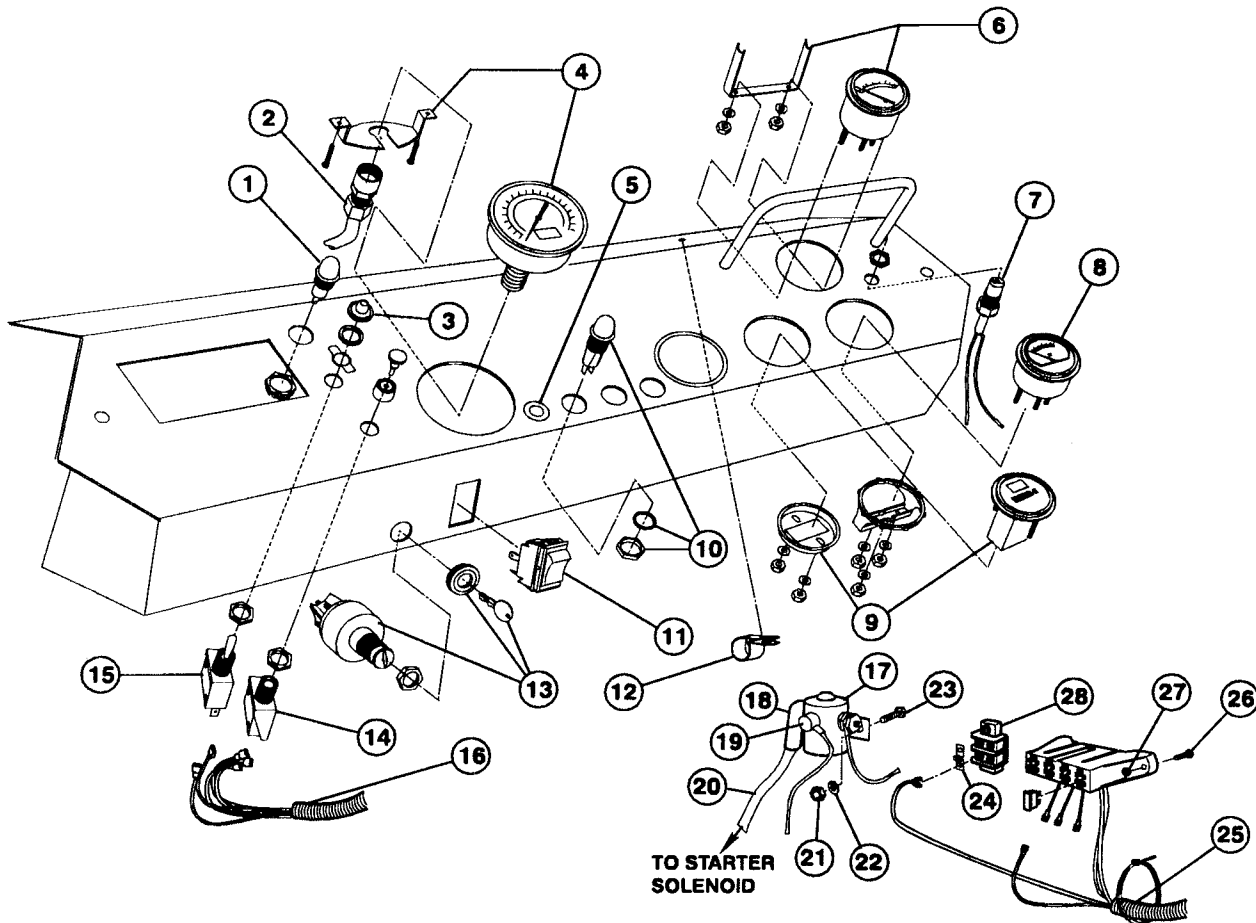


CONTROL CONSOLE

#	Part No.	Description	Qty
1	233-42	Throttle Knob	1
2	94-7060	Throttle Assembly	1
3	3296-3	Lock Nut 1/4-28 LT ESNA	1
4	93-0021	Throttle Cable Swivel	1
5	21-96-BMD	HHCS	1
6	94-7064	Throttle Bearing	2
7	94-7063	Spacer -Bearing Mount	1
8	3290-450	Washer - Bellville	1
9	24-14-AD	Flat Washer	2
10	3296-45	Lock Nut 1/2 NC Nylock	1
11	23-7-GD	Lock Washer	1
12	93-0073	Throttle Cable	1
13	92-0477	Cable Clip	1
14	21-103-AMD	Cap Screw #10-24 x 1-1/4"	1
15	74-5950	Swell Latch	1
16	94-8535	Switch Panel Assembly	1
*	94-7134	Decal - Control Panel	1
17	92-8531	Switch Boots	7
18	30953	Switch - ON/OFF	5

#	Part No.	Description	Qty
19	92-0250	Switch - Toggle	1
20	3290-134	HH Mach Screw 10 NC x 5/8	2
21	94-7087	Arm Rest Pad	1
22	94-7178	Foam - Console	2
23	94-7081	Wire Harness - Sprayer	1
*	95-2144	Dust Cap Ass'y	1
*	95-2145	Dust Cap Ass'y (Speed Cable)	1
*	95-2146	Cable Adapter	1
24	94-7141	Grommet	1
25	87-0450	Decal - Personal Injury	2
26	22-11-AJD	Hex Nut 1/4 Plated	2
27	20-6-AGD	HHCS 1/4 x 1-1/4	2
28	24-10-AD	Flat Washer	1
29	23-10-GD	Lock Washer	1
30	94-7142	Panel - Foam	1
31	20-87-AGD	HHCS	1
32	22-12-AJD	Hex Nut 5/16 plated	1
33	22-9-AJD	Hex Nut plated #10-24	1
34	20-26-AGD	HHCS 5/16 x 1	1
35	94-7242	Switch - Momentary	1
36	94-8534	Center Console Ass'y	1

* Not illustrated

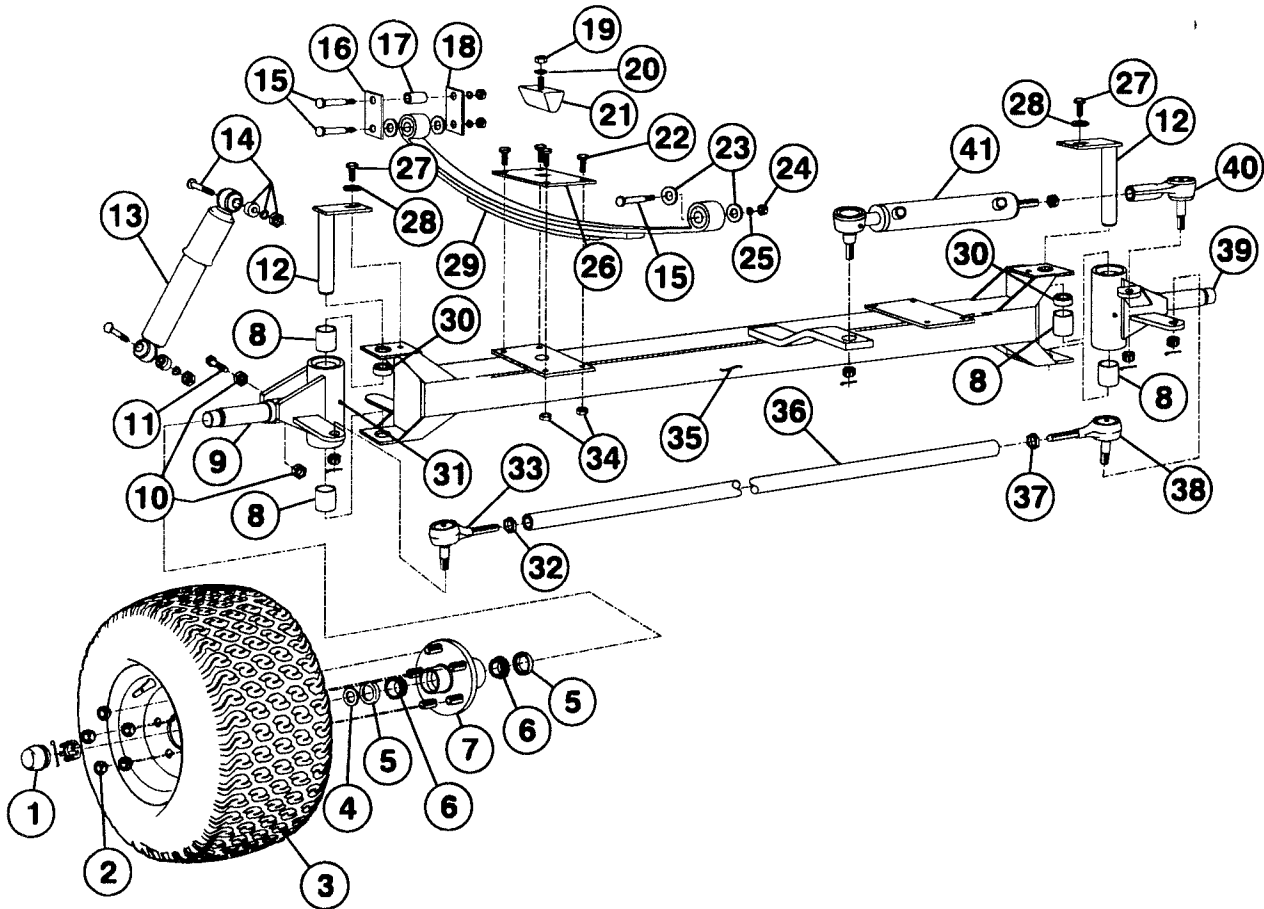


DASH ASS'Y (94-8433)

#	Part No.	Description	Qty
1	40-6410	Warning Light	1
2	94-8793	Tube Fitting	1
3	92-8531	Rubber Boot	1
4	94-7083	Pressure Gauge	1
5	94-7290	11/16" Hole Plug	1
6	42610	Voltmeter Gauge	1
7	42609	Oil Light	1
8	42608	Coolant Temperature Gauge	1
9	66-2950	Hour Meter	1
10	44-2212	Boom Indicator Light	3
11	87-3790	Headlamp (Rocker) Switch	1
12	41230	'R' Clamp	1
13	42607	Keyswitch (with Keys)	1
14	43-6290	Speed Control Switch	1
*	43-6420	Bezel	1
*	43-6280	Push Button	1

#	Part No.	Description	Qty
15	30953	Speed Control ON/OFF Switch	1
16	92-0374	Speed Control Wire Harness	1
17	94-7079	Accessory Solenoid	1
18	92-0034	Terminal Boot	2
19	41187	Terminal Boot	1
20	94-7092	Power Cable	1
21	22-11-AJD	Hex Nut, Plated 1/4"	2
22	23-9-GD	Lockwasher	2
23	34-140-AMVD	Self-Tapping Screw	2
24	42863	Jumper Switch	1
25	94-7080	Vehicle Wire Harness	1
*	94-7105	Gauge Tube	1
26	42862	Ground Block	1
27	34-99-AMVD	Self Tapping Screw	4
28	22-9-AJD	# 10 Plated Hex Nut	4

* Not illustrated

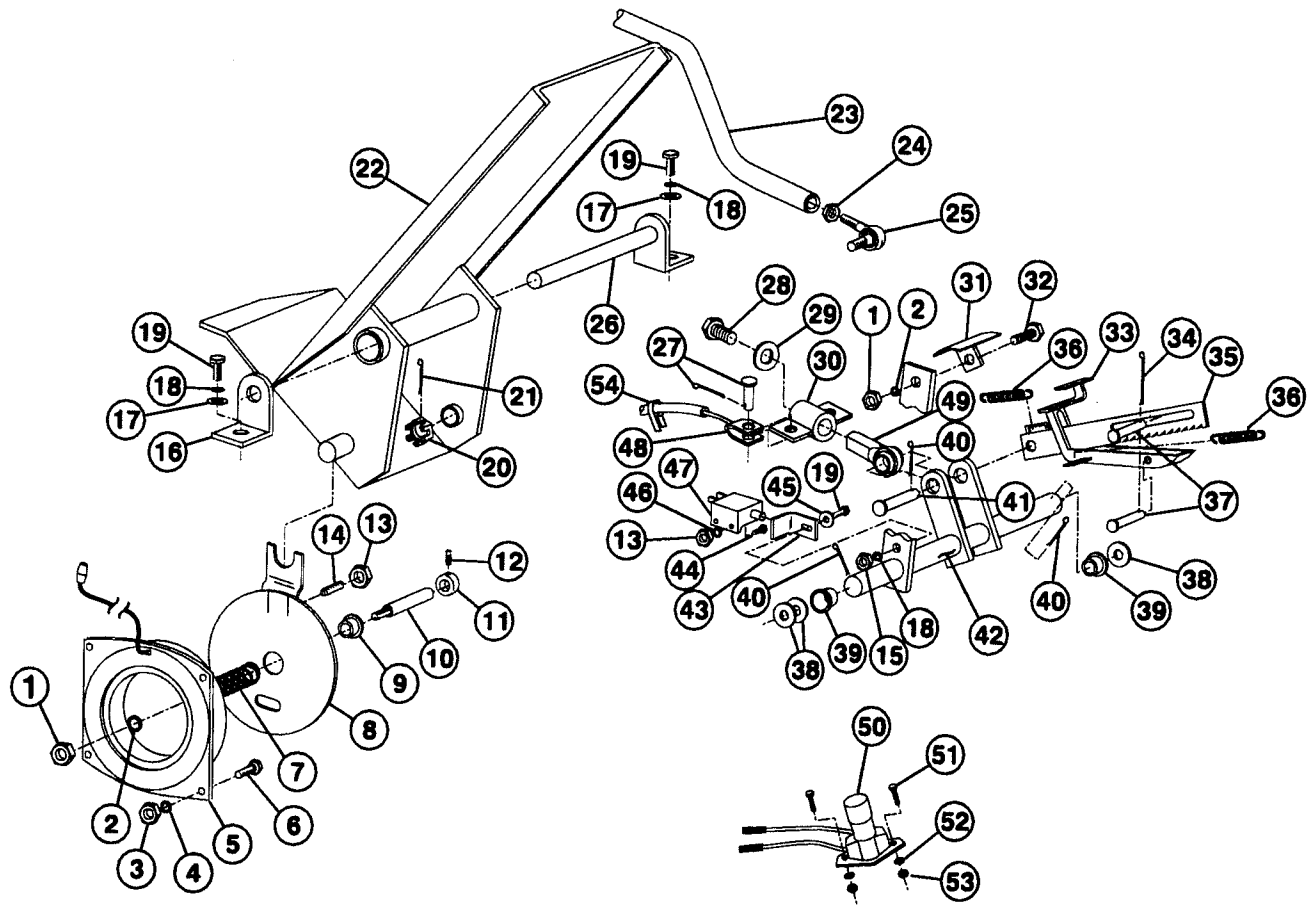


FRONT AXLE ASSEMBLY

#	Part No.	Description	Qty
1	94-7282	Dust Cap	2
2	321077	Wheel Nut	10
3	42329	Tire & Wheel Assembly	2
	42330	Tire (f/w 42329)	1
	41169	Wheel Rim (f/w 42329)	1
4	24-18-BD	SAE Flat Washer	1
5	94-7284	Cup (f/w 94-7148)	2
6	94-7283	Cone (f/w 94-7148)	2
7	94-7148	Hub Assembly	2
8	93-6586	King Pin Bushing	4
9	93-6582	Spindle Assembly - R.H.	1
10	22-15-AJD	Hex Nut	4
11	20-87-AGD	Cap Screw - 1/2" x 1-1/2"	2
12	93-6584	King Pin Assembly	2
13	42690	Shock Absorber	2
14	42691	Shock Bolt Assembly	4
15	42599	Shoulder Bolt	6
16	42574	Outside Shackle	2
17	42592	Shackle Bushing	2
18	42576	Inside Shackle	2
19	93-6166	Metric Hex Nut - M10 - 1.5	2
20	23-12-GD	Lock Washer	6

#	Part No.	Description	Qty
21	87-3470	Spring Bumper	2
22	20-52-AGD	Cap Screw - 3/8" x 2-14"	8
23	93-6161	Delrin Washer	8
24	22-14-AJD	Hex Nut	6
25	23-12-GD	Lock Washer	2
26	42575	Spring Plate	2
27	20-22-AGD	Cap Screw - 5/16" x 1/2"	2
28	24-10-AD	Flat Washer	2
29	93-6583	Leaf Spring	2
30	93-6587	Thrust Bearing	2
31	361011	Grease Fitting	2
32	3220-11	Hex Jam Nut - 9/16" NF	2
33	87-1480	Tie Rod End - R.H.	1
34	22-13-AJFD	Locknut	8
35	93-6568	Front Axle Assembly	1
36	93-6588	Steering Rod	1
37	3-8386	Hex Jam Nut - 9/16" NF -L.H.	1
38	87-1470	Tie Rod End - L.H.	1
39	93-6577	Spindle Assembly - L.H.	1
40	93-6509	Tie Rod End	1
41	93-6510	Hydraulic Cylinder	1
*	92-3992	Repair Kit	AR

* Not illustrated

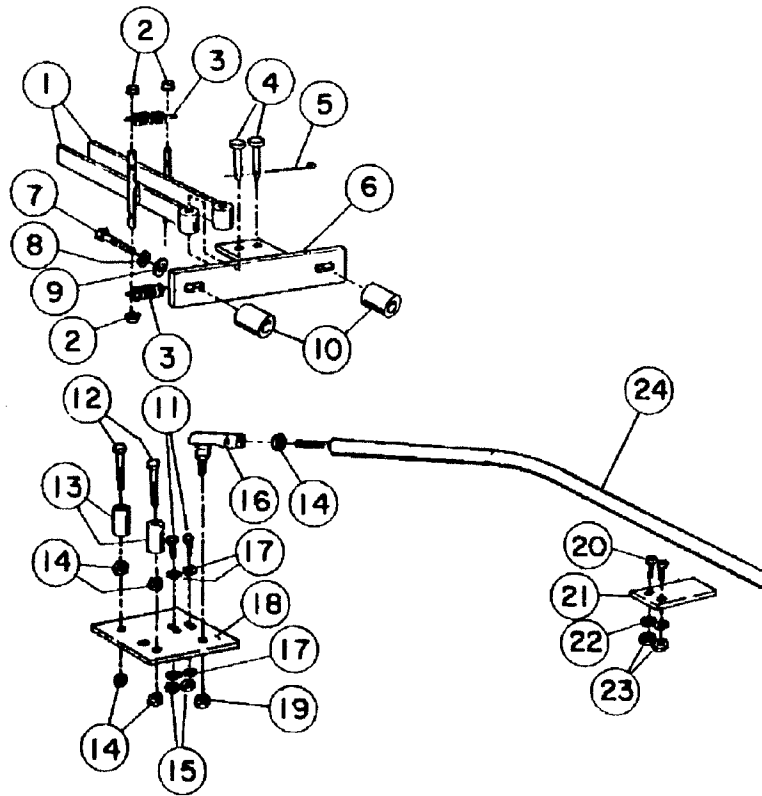


LINKAGE

#	Part No.	Description	Qty
1	23-13-AJD	Hex Nut	2
2	23-11-GD	Lock Washer	2
3	22-11-AJD	Hex Nut, 1/4" plated	4
4	23-9-GD	Lock Washer	4
5	42-1720	Electric Clutch	1
6	20-2-AGD	Cap Screw, 1/4" x 5/8"	4
7	43-6200	Compression Spring	1
8	43-6110	Clutch Plate - WA	1
9	256-273	Flange Bushing #FF-604-1	2
10	69-9170	Cruise Shaft	1
11	43-6320	Collar - 1/2"	1
12	3245-32	Hex Soc SS 1/4-20 x 1/4"	1
13	22-9-AJD	Hex Nut, #10 plated	3
14	3245-31	Hex Soc SS 10-24 x 1/2"	1
15	22-12-AJD	Hex Nut 5/16" plated	1
16	92-0450	Pin Bracket	1
17	24-10-BD	Flat Washer	2
18	23-10-GD	Lock Washer	3
19	20-24-AGD	Cap Screw, 5/16" x 3/4"	3
20	32136-4	Hex Nut, slotted - 3/8-24	1
21	28-10-D	Cotter Pin	1
22	92-0446	Traction Pedal Assembly	1
*	92-0430	Bearing	2
*	71-0440	Pedal Abrasive	1
*	71-0450	Rear Pedal Abrasive	1
23	94-7005	Linkage Control Assembly	1
24	22-15-BJKD	Hex Jam Nut	1
25	21-0140	Socket Assembly - R.H.	1
26	92-0448	Pivot Pin Assembly	1
27	40258	Yoke Pin Assembly	2

#	Part No.	Description	Qty
28	20-85-BGD	Cap Screw, 1/2 UNF x 1"	1
29	24-13-BD	Flat Washer	1
30	93-6595	Brake Equalizer	1
31	94-7003	Emergency Brake Pedal	1
*	7-3900	Pedal Pad	1
32	20-47-AGD	Cap Screw	1
33	93-6599	Brake Catch Assembly	1
*	42719	Pedal Pad	1
34	28-22-D	Cotter Pin	1
35	93-6598	Brake Catch Strap	1
36	92-0417	Extension Spring	2
37	1049-P	Clevis Pin	1
38	24-17-BD	Flat Washer 7/8"	3
39	94-7164	Bearing 7/8 Oilite	2
40	28-18-D	Cotter Pin	3
41	42195	Clevis Pin	1
42	93-6589	Brake Shaft Assembly	1
43	93-6592	Switch Trip Bracket	1
44	34-99-AMVD	Self-tapping Screw	2
45	24-10-AD	Flat Washer	1
46	23-7-GD	Lock Washer	2
47	41103	Brake Switch	1
48	93-6594	Brake Cable - R.H.	1
*	93-6593	Brake Cable - L.H.	1
*	2412-91	"R" Clamp	1
49	522087	Tie Rod End	1
50	94-7170	Foot Switch Ass'y	1
51	34-99-AMVD	HHCS #10-24 x 3/4	2
52	23-7-GD	Lock Washer 3/16	2
53	22-9-AJD	Hex Nut #10-24	2

* Not illustrated

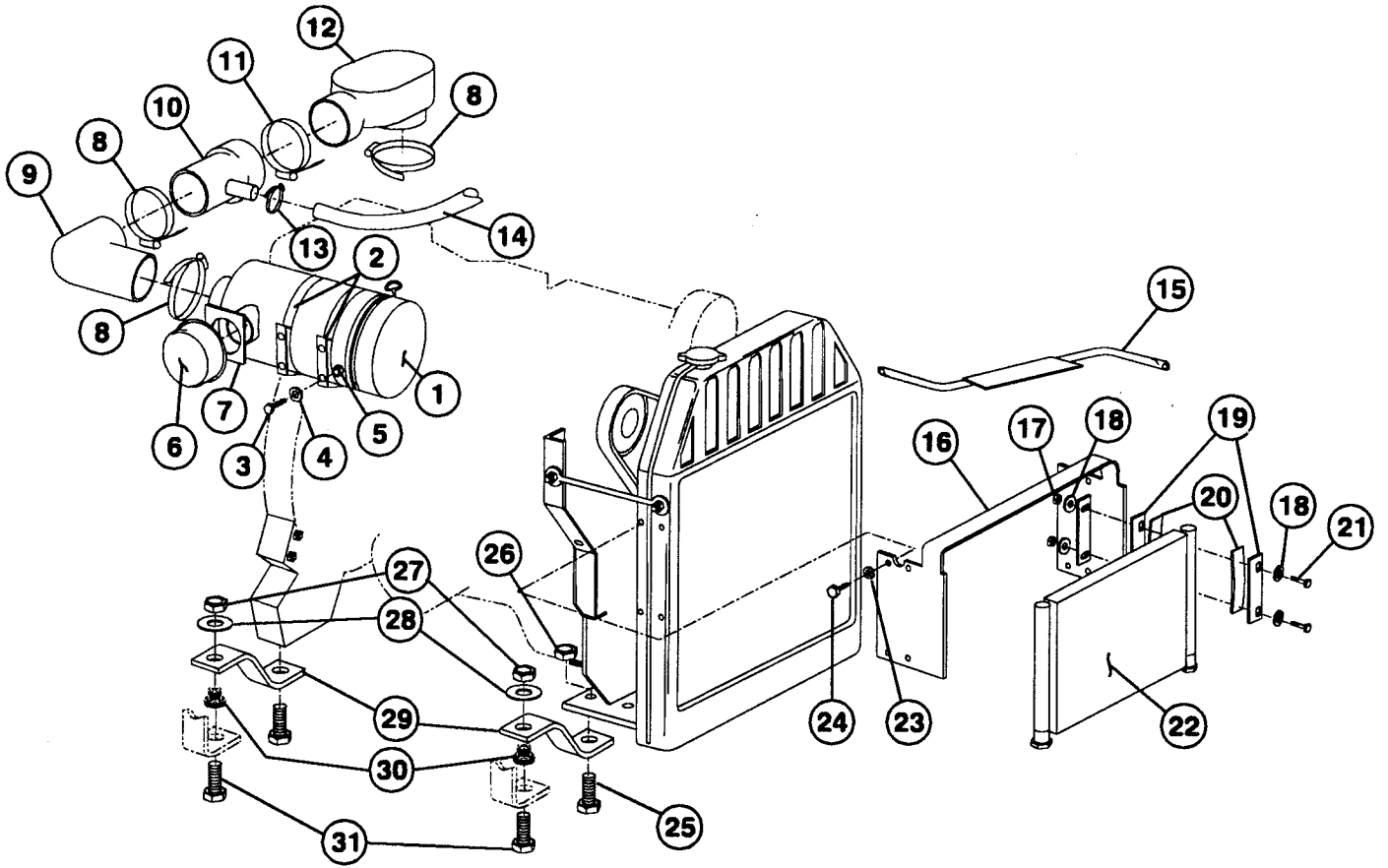


DRIVE LINKAGE

#	Part No.	Description	Qty
1	92-0460	Arm Assembly	2
	361011	Grease Fitting (f/w 92-0460)	2
2	92-0465	Spring Retainer	4
3	92-0417	Extension Spring	2
4	1049-P	Clevis Pin, 3/8 x 1-5/8	2
5	28-22-D	Cotter Pin, 1/8 x 2-1/2	1
6	92-0457	Neutral Mounting Bracket	1
7	92-0467	HHCS 10MM x 90MM	2
8	24-11-AD	Flat Washer, 3/8	2
9	23-12-GD	Lock Washer, 7/16	2
10	92-0466	Spacer Tube, 1" OD x 11/16	2
11	20-3-AGD	HHCS, 1/4 NC x 3/4	2
12	20-51-BGD	HHCS, 3/8 NF x 2"	2

#	Part No.	Description	Qty
13	92-0455	Bearing, 3/4 OD Delrin	2
14	22-13-BJKD	Hex Jam Nut, 3/8 NF	5
15	32146-17	Lock Nut, 1/4 NC	2
16	41704	Ball Joint	1
17	24-9-BD	Flat Washer, 1/4 SAE	4
18	92-0454	Control Plate	1
19	22-13-BJFD	Lock Nut, 3/8 NF	1
20	21-98-AGOD	Mach. Screw, #10 NC x 5/8"	2
21	92-0453	Teflon Plate	1
22	23-7-GD	Lock Washer #10	4
23	22-9-AJD	Hex Nut #10 NC	5
24	94-7005	Linkage Control Rod	1

* Not illustrated

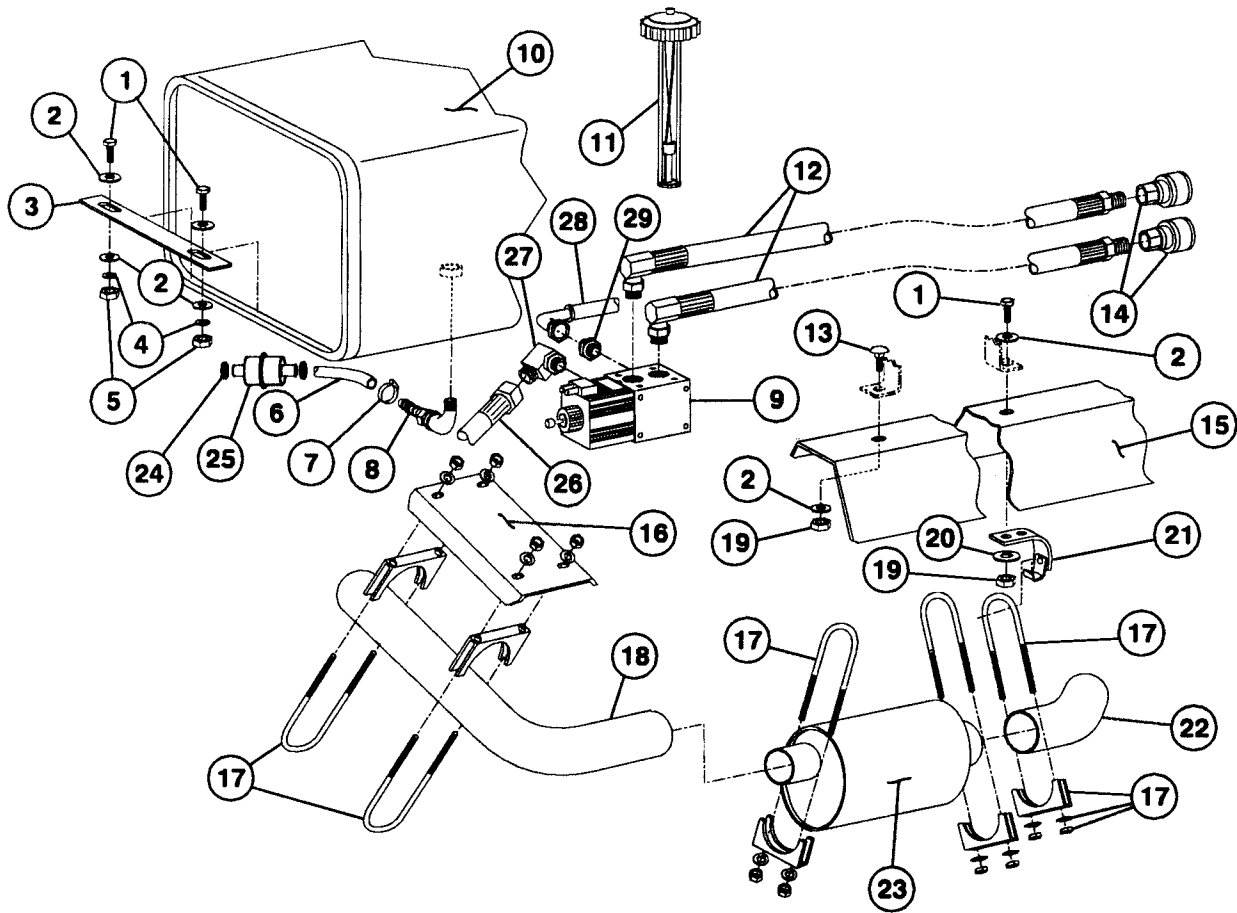


OIL COOLER / AIR CLEANER

#	Part No.	Description	Qty
1	41904	Air Cleaner	1
*	41905	Air Cleaner Filter Element	AR
2	41906	Air Cleaner Mounting Band	1
3	20-24-AGD	Cap Screw, 5/16" x 3/4"	4
4	24-10-BD	Flat Washer	4
5	22-12-AJD	Hex Nut, 5/16" plated	4
6	41909	Inlet Cap	1
7	94-7280	Air Cleaner Seal Foam	1
8	26392	Hose Clamp	3
9	41908	90° Hose	1
10	95-2169	Inlet Tube Assembly	1
11	92-0054	Hose Clamp	1
12	42621	Carb Inlet Elbow	1
13	96609	Hose Clamp	2
14	95-2171	Oil Breather Hose	1
15	43087	Decal Plate Assembly	1
*	42958	Decal	1

#	Part No.	Description	Qty
16	42639	Cooler Brkt. Assembly	1
17	22-12-AJFD	Locknut	4
18	24-10-BD	Flat Washer 5/16" S.A.E.	8
19	42071	Armaflex Strip	4
20	42070	Strip - Backing	4
21	20-29-AGD	Cap Screw	4
22	94-7007	Oil Cooler	1
23	23-7-GD	Lock Washer	8
24	34-76-AMTD	Self-tapping Screw	8
25	20-122-AGD	Cap Screw	4
26	22-17-AJFD	Locknut	4
27	22-15-AJFD	Locknut	4
28	24-13-AD	Flat Washer	4
29	94-7010	Engine Mounting Brkt.	4
30	41782	Motor Mount	4
31	20-91-BGD	Cap Screw	4

* Not illustrated

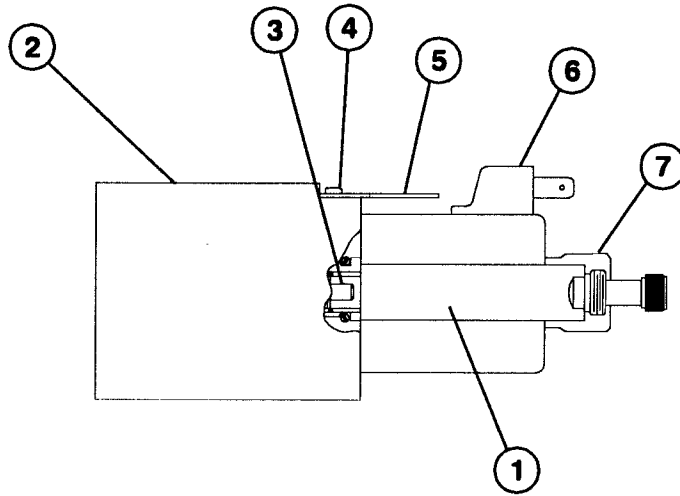


EXHAUST / FUEL TANK

#	Part No.	Description	Qty
1	20-26-AGD	Cap Screw, 5/16" x 1"	8
2	24-10-BD	Flat Washer	16
3	94-7068	Hold Down Strap	2
4	23-10-GD	Lock Washer	8
5	22-12-AJD	Hex Nut, 5/16" plated	8
6	42652	Fuel Hose, 54"	1
*	95-2188	Fuel Line Protection Loom, 12"	1
7	97406	Hose Clamp	2
8	9900	Street Elbow	1
9	94-7013	Directional Valve	1
*	20-10-AGD	Cap Screw 1/4 x 2-1/2	4
*	23-9-GD	Lock Washer	4
*	22-11-AJD	Hex Nut 1/4 plated	4
10	94-8537	Fuel Tank	1
11	41117	Fuel Indicator	1
12	94-7116	Hydraulic Hose Assembly	2

#	Part No.	Description	Qty
*	94-8607	Hose Cover	2
13	25-25-AGD	Carriage Bolt	1
14	41789	Female Quick Coupler	2
15	94-7070	Heat Shield	1
16	94-7189	Heat Shield	1
17	94485	Clamp Assembly	5
18	42623	Exhaust Pipe	1
19	22-12-AJFD	Lock Nut 5/16" two-way plated	2
20	356303	Special Flat Washer	1
21	41912	Tail Pipe Hanger	1
22	94-7069	Tail Pipe	1
*	94-7295	Spark Arrester (optional)	AR
23	42622	Muffler	1
24	97406	Hose Clamp	2
25	41770	Fuel Filter	1
26	94-7031	Hose Assy - Dir Valve/Cooler	1
27	94-7146	Adapter 90° - 3/4 O-ring x 7/8 JIC	1
28	94-7030	Hose Assy - Gear Pmp/Dir. Valve	1
29	93-6564	Adapter 3/4 O-ring x 7/8 JIC	1

* Not illustrated

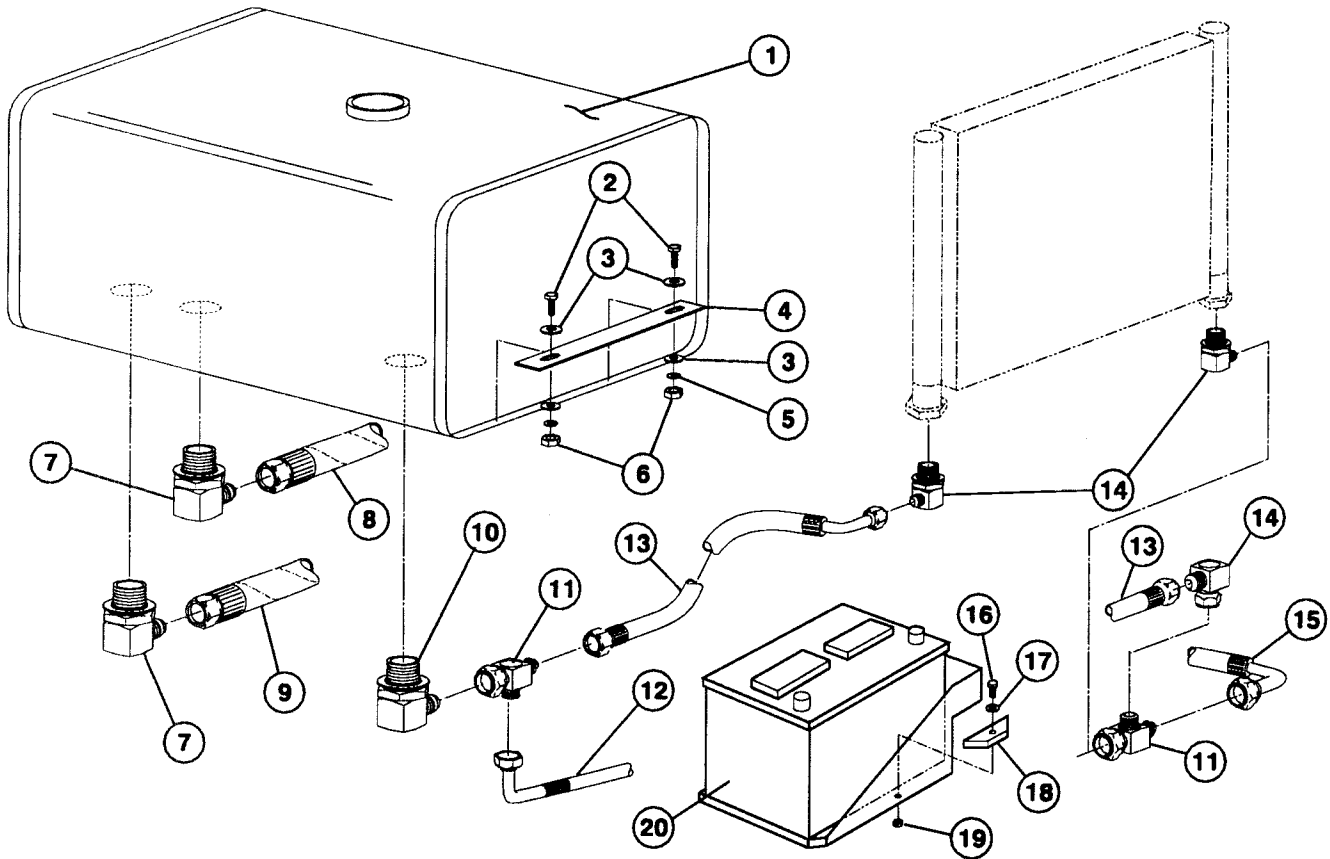


DIRECTIONAL VALVE - 94-7013

#	Part No.	Description	Qty
1	94-8618	Tube S/A	1
2	94-8616	Block	1
3	94-8617	Spool	1
4	94-8622	Pan Screw	1

#	Part No.	Description	Qty
5	94-8621	Name Plate	1
6	94-8619	Coil	2
7	94-8620	Nut	2

* Not illustrated

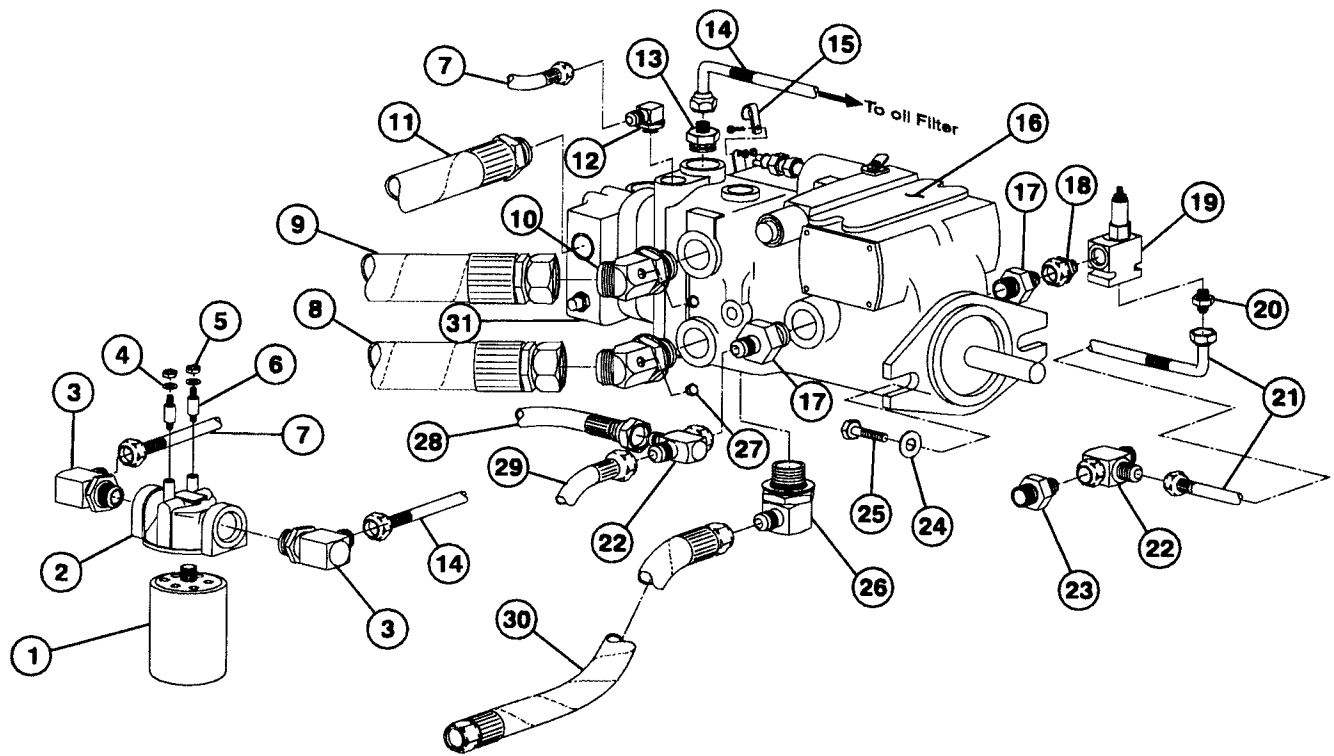


HYDRAULIC TANK / HOSES

#	Part No.	Description	Qty
1	94-8536	Hydraulic Fluid Tank	AR
*	41778	Cap (f/w 94-8536)	AR
*	41779	Hydraulic Strainer (f/w 94-8536)	1
2	20-26-AGD	Cap Screw 5/16 x 1	8
3	24-10-BD	Flat Washer	16
4	94-7068	Hold Down Strap	2
5	23-10-GD	Lock Washer	8
6	22-12-AJD	Hex Nut, 5/16 plated	8
7	94-7016	Adapter 90 1-5/16 O-ring x JIC	3
8	94-7025	Hose Ass'y - Gear Pump Suction	1
9	94-7024	Hose Ass'y - Pistn Pmp Suction	1
10	94-7021	Adptr 10 1-1/16 O-ring x 7/8 JIC	3
11	94-7022	Tee-7/8 JIC Swivel x 7/8 JIC	2

#	Part No.	Description	Qty
12	94-7039	Hose Ass'y - Pump Drn/Return	1
13	94-7034	Hose Ass'y - Tank/Cooler	1
*	94-8608	Hose Cover	1
14	94-7023	Adapter 90 7/8 JIC x Swivel	1
15	94-7031	Hose Ass'y - Dir Valve/Cooler	1
*	94-8606	Hose Cover	1
16	20-29-AGD	Cap Screw, 5/16 x 1-3/4	1
17	24-10-AD	Flat Washer	1
18	66-2490	Battery Retainer	1
19	22-12-AJD	Hex Nut, 5/16 plated	1
20	92-3516	Battery - 12 Volt BCI Group 24T	1
*	41792	Power Cable, Battery to Solenoid	1
*	99060	Ground Cable, Battery to Frame	1
*	42617	Ground Cable, Frame to Housing	1

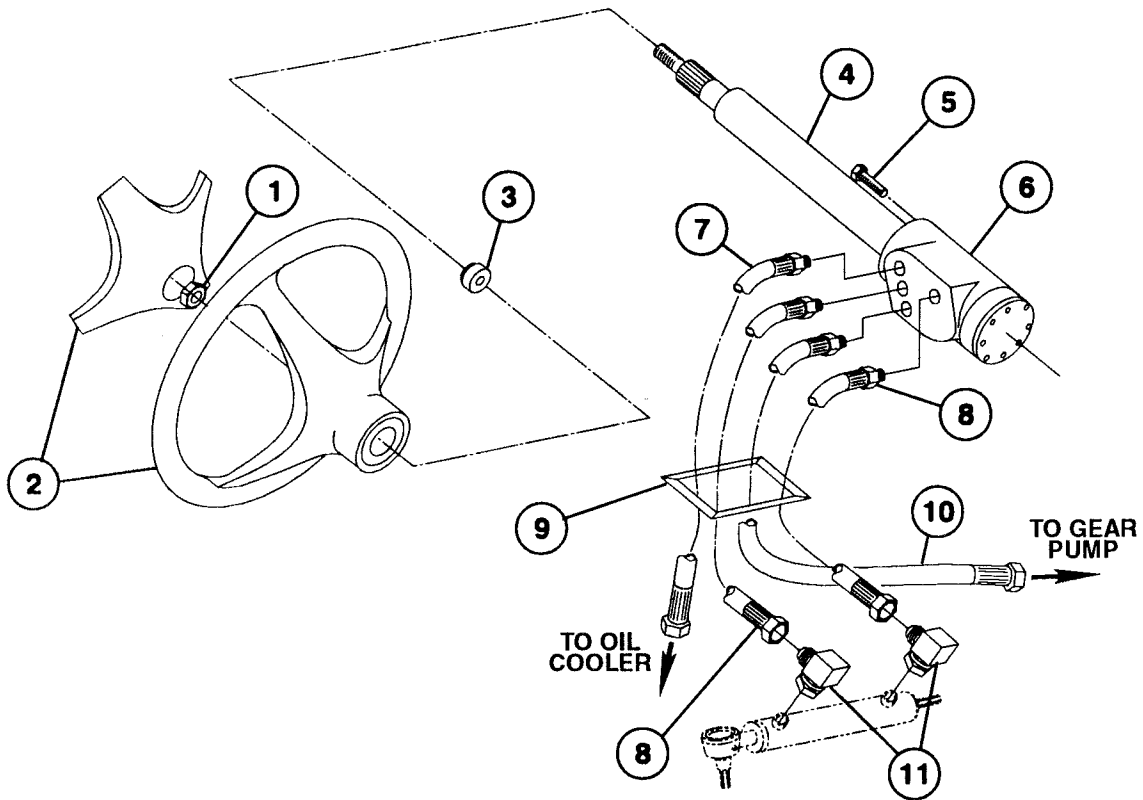
* Not illustrated



HYDRAULIC PUMP AND HOSES

#	Part No.	Description	Qty	#	Part No.	Description	Qty
1	86-3010	Filter Element	1	17	94-7019	Adapter 1-1/16 O-ring x 3/4 JIC	2
2	86-3000	Filter Head	1	18	94-7166	Adapter 3/4 O-ring x JIC SW	1
3	94-7021	Adpt 10 1-1/16 O-ring x 7/8 JIC	2	19	94-7012	Hydraulic Relief Valve	1
4	24-9-BD	Lock Washer	2	*	94-8763	Cartridge	AR
5	22-11-AJD	Hex Nut, 1/4"	2	*	94-8764	Seal Kit	AR
6	94-7188	Filter Isolation Mount	2	20	94-7018	Adapter 3/4 O-ring x 3/4 JIC	1
7	94-7036	Hose Ass'y Filter/Charge Port	1	21	94-7039	Hose Ass'y Pump Drn/Return	1
8	94-7027	Hose Ass'y Pump/Motor	1	22	94-7017	Tee 3/4 JIC Swivel x JIC	2
9	94-7026	Hose Ass'y Pump/Motor	1	23	94-7020	Adapter 7/8 O-ring x 7/8 JIC	2
10	94-7015	Adapter 45 1-5/16 O-ring x JIC	2	24	24-13-AD	Flat Washer	2
11	94-7025	Hose Ass'y - Gear Pump Suction	1	25	20-87-AGD	Cap Screw	2
12	94-8500	Adapter 90° 7/8 O-ring x JIC	1	26	94-7016	Adapter 90° 1-5/16 O-ring x JIC	1
13	93-6562	Adapter 1-5/16 O-ring x 7/8 JIC	1	27	92-0068	Pipe Plug	2
14	94-7035	Hose Ass'y Pump Charge/Filter	1	28	94-7038	Hose Ass'y Motor Drn/Pump Drn	1
15	2412-91	R-Clamp	1	29	94-7039	Hose Ass'y Pump Drn/Return	1
16	93-6491	Piston Pump	1	30	94-7024	Hose Ass'y Piston Pump Suction	1
				31	93-6492	Gear Pump w/Flow Divider	1

* Not illustrated

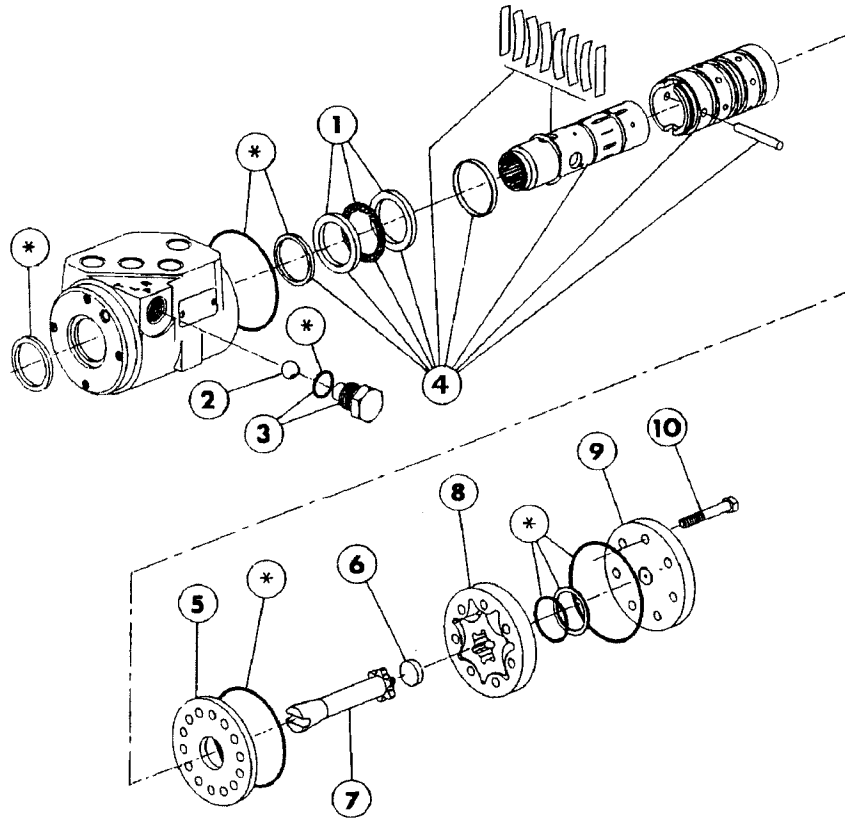


STEERING GEAR

#	Part No.	Description	Qty
1	92-3513	Nut	1
2	94-3500	Steering Wheel Ass'y	1
	93-5212	Steering Wheel	1
	88-3870	Steering Wheel Insert	1
3	93-5439	Seal - Steering	1
4	94-8792	Steering Column	1
5	42605	Cap Screw - Metric	4
6	92-3502	Steering Control Unit	1

#	Part No.	Description	Qty
*	92-3849	Seal Kit	AR
7	94-7032	Hose Ass'y - Steer Valve/Cooler	1
8	94-7033	Hose Ass'y - Steer Valve/Cylinder	2
9	95-2193	Floor Trim	1
10	94-7029	Hose Ass'y - Gear Pump/Steering Valve	1
*	94-8607	Hose Cover	1
11	92-3504	Adapter 90°	2

* Not illustrated

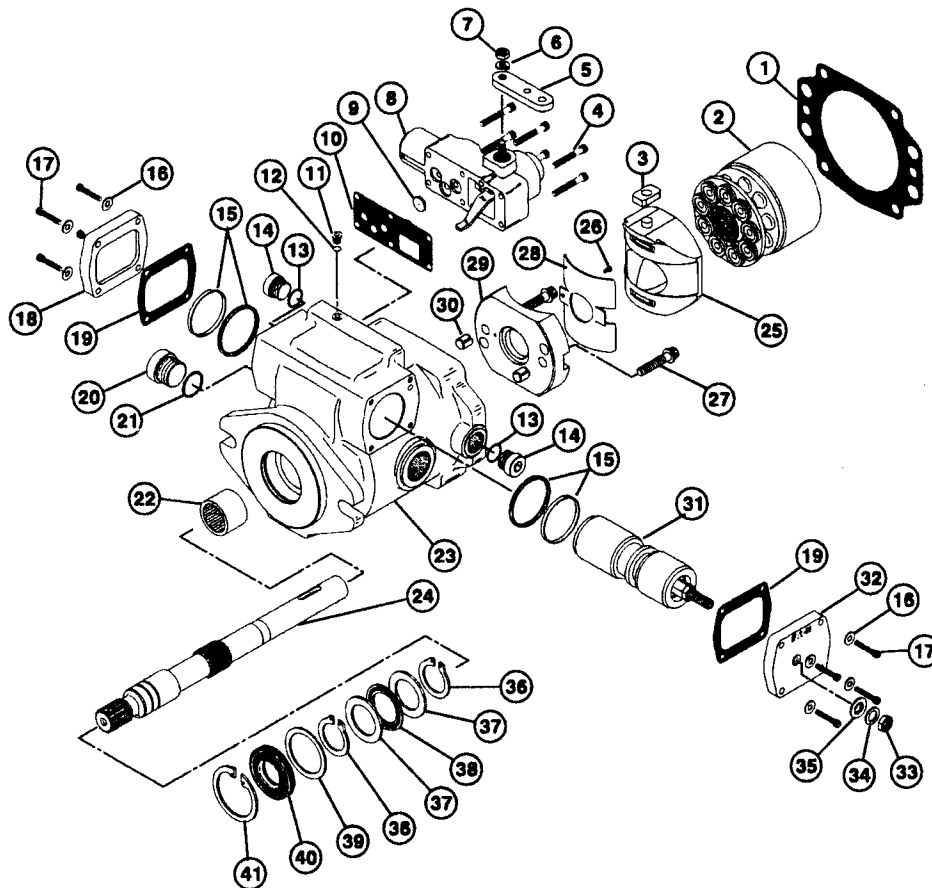


STEERING CONTROL UNIT 92-3502

#	Part No.	Description	Qty
1	92-3839	Bearing Kit (f/w 92-3840)	1
2	92-3842	Check Ball	1
3	92-3841	Plug / O-Ring	1
4	92-3840	Control Parts Assembly	1
5	92-3843	Wear Plate	1
6	92-3845	Spacer	1

#	Part No.	Description	Qty
7	92-3844	Drive	1
8	92-3846	Gerotor	1
9	92-3847	End Cap	1
10	92-3848	Cap Screw	1
*	92-3849	Seal Kit - Includes all parts indicated by *	AR

* Not illustrated



PISTON PUMP ASS'Y (93-6491)

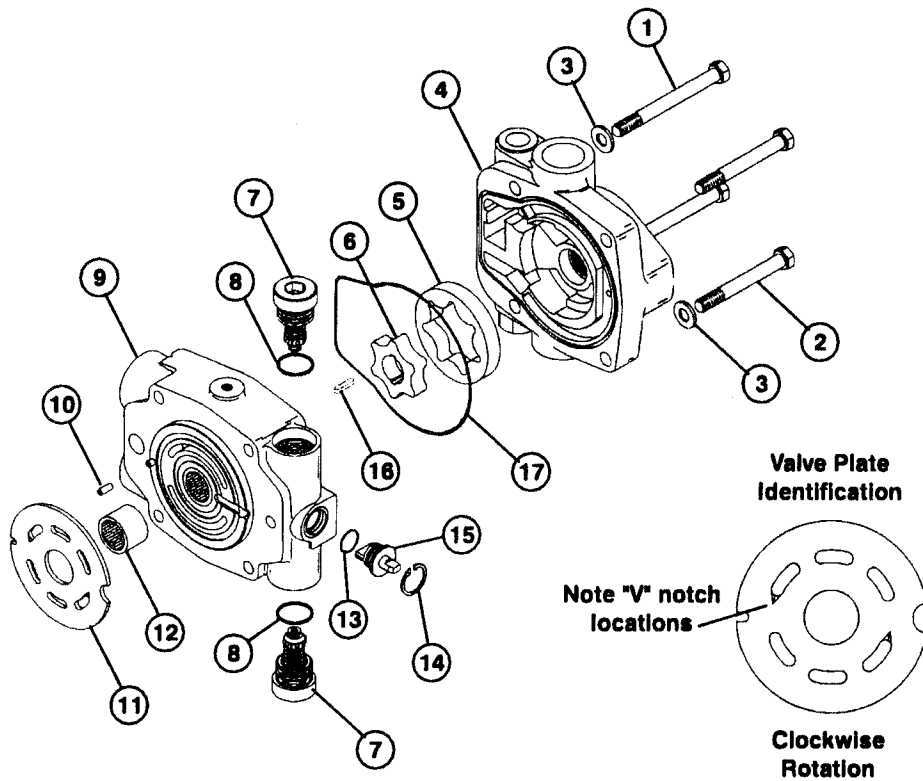
#	Part No.	Description	Qty
†1		Housing Gasket	1
2	93-6322	Rotating Kit Ass'y - 2.48in ³ /r	1
3	93-6323	Servo Piston Follower	1
4	93-6324	Cap Screw	6
5	93-6325	Control Arm	1
6	93-6326	Lockwasher	1
7	93-6327	Nut	1
8	93-6306	Servo Control Ass'y	1
9	95-2111	Supply Orifice	3
†10		Control Housing Gasket	1
†11		Plug Sub-Ass'y	1
†12		O-ring, 1.63 mm Dia. x 6.1 mm	1
†13		O-ring, 2.21 mm Dia. x 16.36 mm	2
14	93-6334	Plug	2
†15		Seal Sub-Ass'y	2
16	93-6336	Washer	8
17	93-6337	Cap Screw	8
18	93-6338	Cover Plate	1
†19		Cover Plate Gasket	2
20	93-6340	Plug	1
†21		O-ring, 2.95 mm Dia. x 23.47 mm	2

#	Part No.	Description	Qty
†22		Bearing (Press Fit)	1
23		Housing Ass'y (Ref. # 11, 12, 15, 22, 26-30)	1
24	93-6344	Drive Shaft, 15 tooth w/9 tooth	1
25	93-6345	Camplate	1
†26		Button Head Capscrew	1
†27		Cap Screw	2
†28		Bushing	1
†29		Cradle Sub-Ass'y	1
†30		Dowel Bushing	2
31	93-6351	Servo Piston Ass'y	1
32	93-6352	Cover Plate	1
33	93-6353	Jam Nut	1
34	93-6354	Washer	1
35	93-6355	Seal Washer	1
36	93-6356	Retaining Ring	2
37	93-6357	Thrust Race	2
38	93-6358	Thrust Bearing	1
39	93-6359	Washer	1
40	42587	Shaft Seal	1
41	93-6360	Retaining Ring	1
*	93-6412	Seal Kit (not shown)	A/R

† Part is not serviced separately.

* Not illustrated

Order replacement parts from your Authorized TORO Distributor.



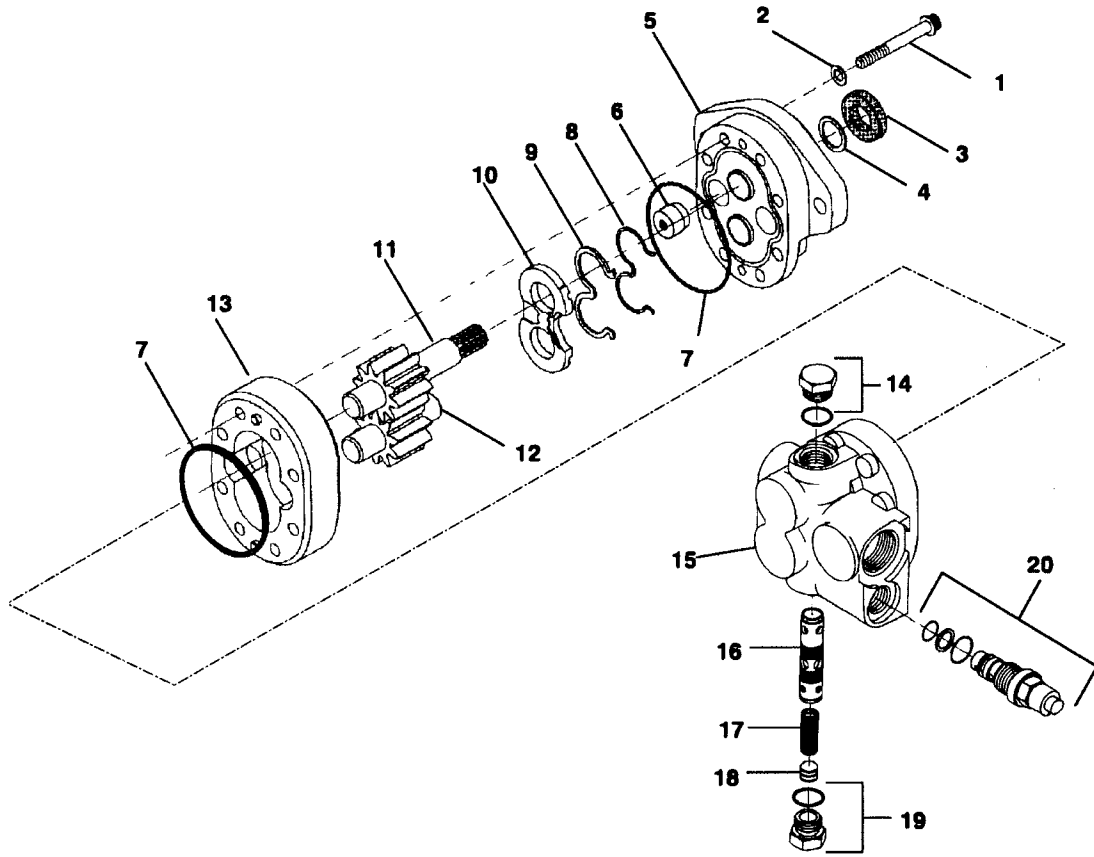
CHARGE PUMP ASS'Y

#	Part No.	Description	Qty
1	93-6361	Cap Screw, 3/8-16 x 101.6 mm	2
2	93-6362	Cap Screw, 3/8-16 x 88.9 mm	2
3	93-6363	Washer	3
4	95-2110	Charge Pump Adapter Ass'y	1
5	93-6364	Outer Ring Geroter	1
6	93-6365	Inner Ring Geroter	1
7	93-6366	Relief Valve	1

#	Part No.	Description	Qty
†8		O-ring	2
9	93-6368	Backplate Ass'y (Ref. # 10,12)	1
†10		Roll Pin	1
11	93-6370	Valve Plate	1
†12		Bearing	1
13	93-6372	Quad Ring, 1.59 mm Dia. x 15.9 mm	1
14	93-6373	Retaining Ring	1
15	93-6374	Dump Valve Actuator	1
16	93-6375	Key	1
†17		Molded O-ring	1

† Part is not serviced separately.

* Not illustrated



GEAR PUMP ASS'Y (93-6492)

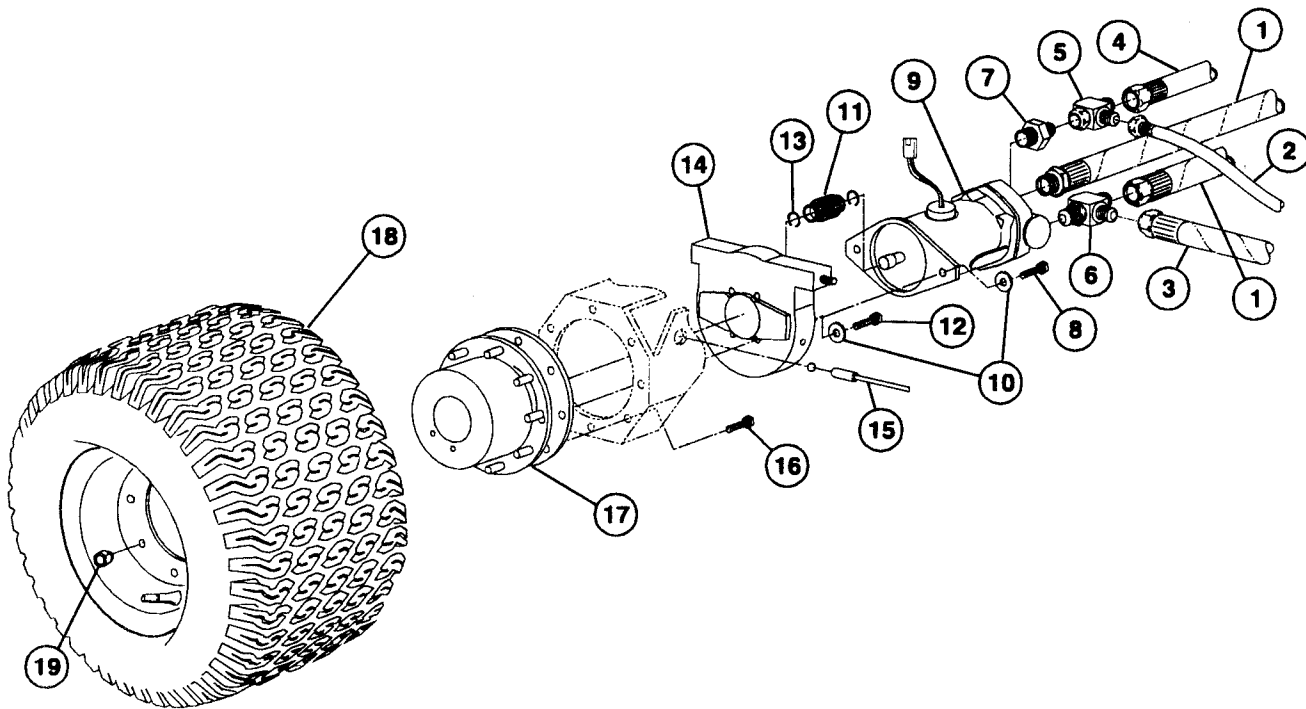
#	Part No.	Description	Qty
1	93-6388	Bolt	8
2	93-6389	Washer	4
3	93-6387	Shaft Seal	1
†4		Washer	1
†5		Front Plate Ass'y	1
†6		Plug	1
†7		O-ring	2
†8		Bearing Seal	1
†9		Backup Gasket	1
†10		Wear Plate	1

#	Part No.	Description	Qty
†11		Spline Drive Gear Ass'y	1
†12		Idle Gear Ass'y	1
†13		Body	1
14	93-6414	Plug/O-ring Ass'y	1
15	93-6377	Flow Divider Backplate	1
16	93-6420	Flow Divider Spool	1
17	93-6421	Spring	1
18	93-6422	Shim	A/R
19	93-6423	Plug/O-ring	1
20	93-6416	Relief Valve Ass'y	1
*	95-2109	Seal Kit (Ref. #3,4,6-10)	1

† Part is not serviced separately.

* Not illustrated

Order parts from your Authorized TORO Distributor.

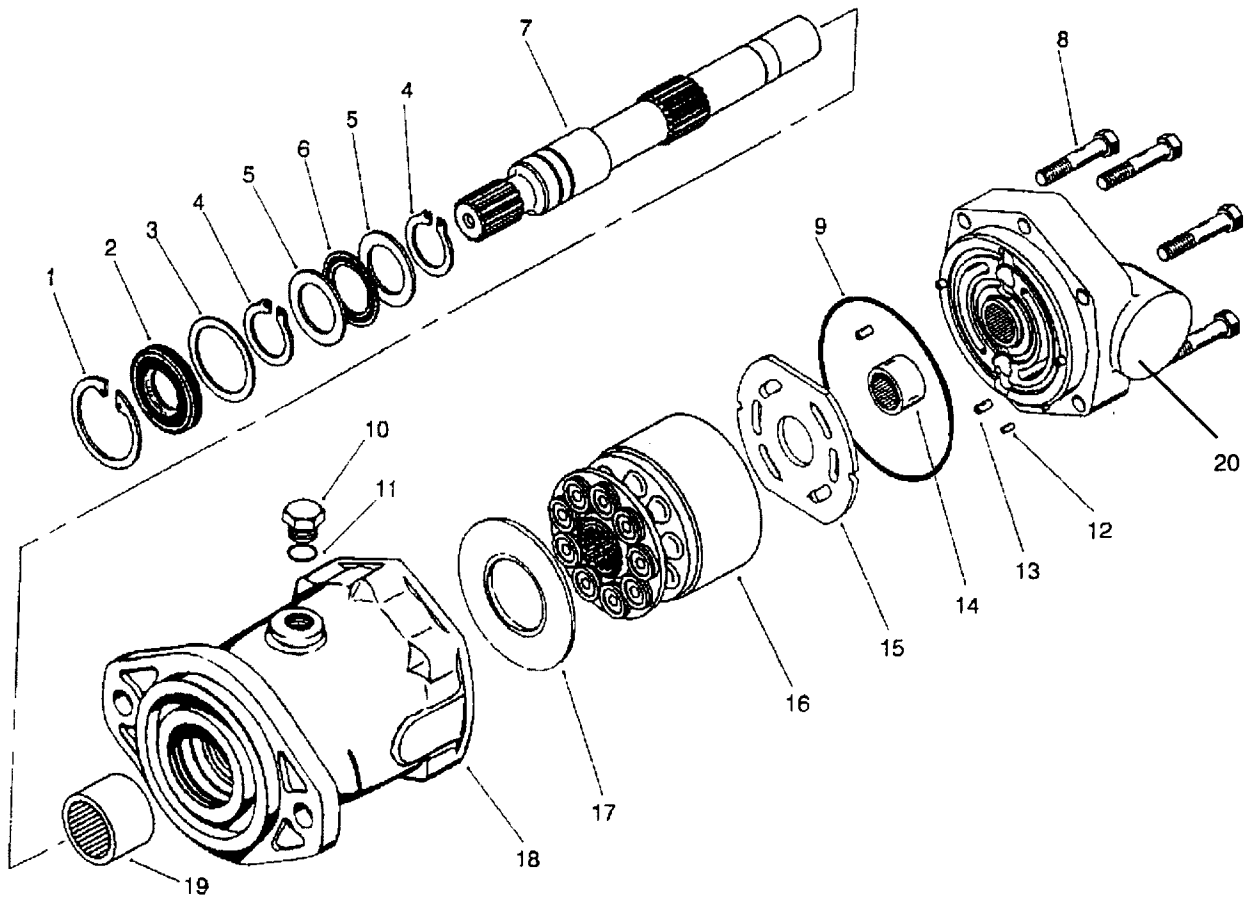


WHEEL DRIVE / MOTOR

#	Part No.	Description	Qty
1	94-7216	Hose Ass'y Motor to Motor	2
2	94-7038	Hose Ass'y Motor Drn/Pump Drn	1
3	94-7026	Hose Ass'y Pump to Motor	1
4	94-7037	Hose Ass'y Motor Drain	1
5	94-7017	Tee 3/4 JIC Swivel x JIC	2
6	94-7014	Tee O-ring x JIC 1-5/16	2
7	94-7018	Adapter 3/4 O-ring x 3/4 JIC	1
8	33116-120	Cap Screw HHF M12 x 120mm	4
9	93-6489	Hydraulic Motor (R.H.)	1
*	93-6488	Hydraulic Motor (L.H.)	1
10	22-9-AJD	Flat Washer	4
11	93-7966	Splined Brake Shaft	2

#	Part No.	Description	Qty
12	33106-090	Cap Screw HHF M12 x 90mm	8
13	93-7972	Snap Ring	4
14	92-7414	Brake Ass'y (R.H.)	1
*	92-7417	Brake Ass'y (L.H.)	1
15	93-6594	Brake Cable Ass'y (R.H.)	1
*	93-6593	Brake Cable Ass'y (L.H.)	1
16	33106-030	Cap Screw HHF M12 x 30mm	12
17	92-7415	Planetary Drive	2
18	93-6495	Rear Wheel Assy	2
	93-6152	Rear Tire	2
	93-6496	Wheel Rim	2
19	3296-19	Nut - Nylock 1/2-20 LT ESNA	16
*	24-13-BD	Flat Washer	16

* Not illustrated



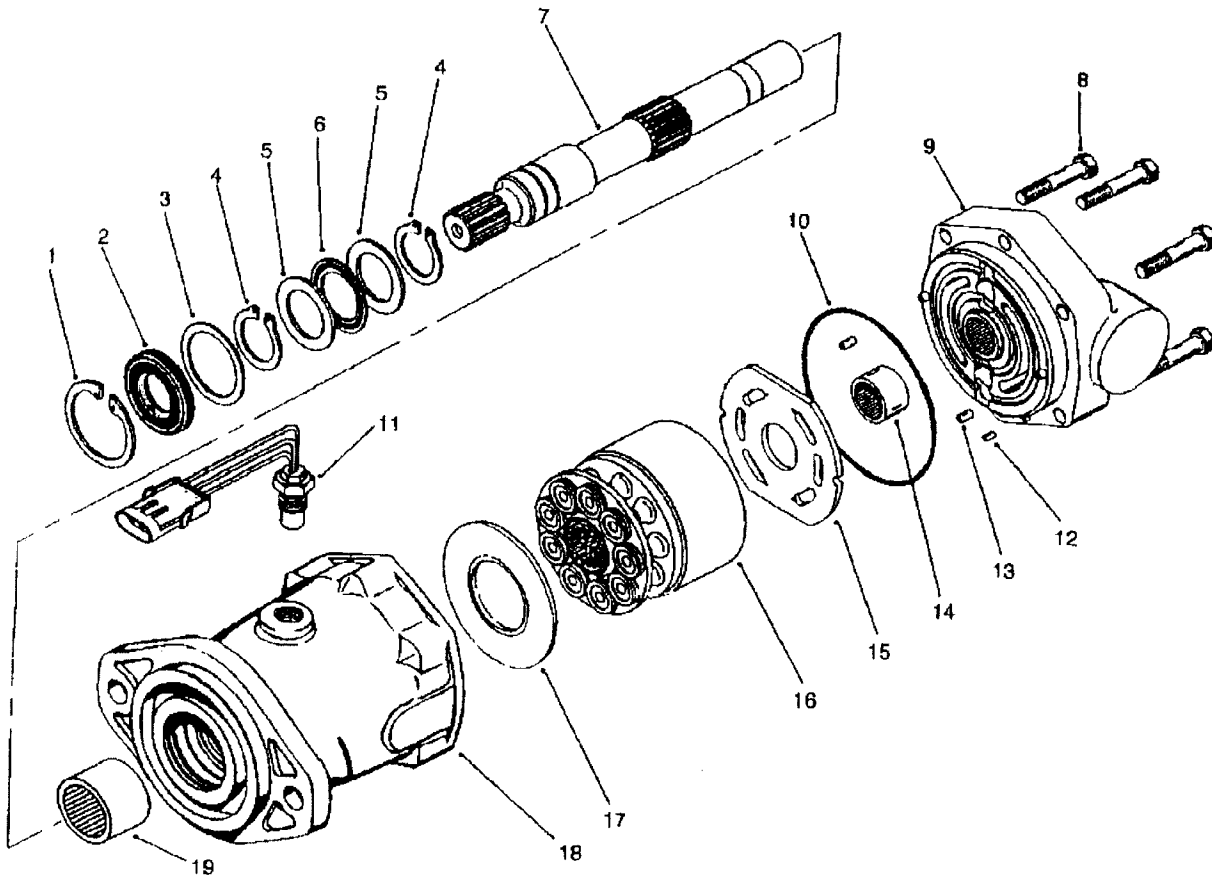
L.H. HYDRAULIC MOTOR ASSEMBLY NO. 93-6488

#	Part No.	Description	Qty
1	76-7010	Ring - Retaining	1
2	94-3008	Seal - Shaft	1
3	94-3007	Washer	1
4	76-7000	Ring - Retaining	2
5	76-6950	Race - Thrust	2
6	76-6960	Bearing - Thrust	1
7	94-3004	Shaft - Drive, Splined	1
8	94-3002	Screw - HH	6
9	76-6980	O-Ring	1
10	94-3009	Asm. - Plug (Incl. #11)	1

#	Part No.	Description	Qty
11	76-6980	O-Ring	1
12		Pin - Dowel	1
13		Pin - Dowel	3
14		Bearing - Needle	1
15	94-3003	Plate - Valve	1
16	76-6910	Kit - Rotating	1
17	76-6970	Insert - Camplate	1
18	95-2082	Housing (Incl. #19)	1
19		Bearing - Needle	1
20	95-2081	Backplate Ass'y (Incl. #12-14)	1

* Not illustrated

Order replacement parts from your Authorized TORO Distributor.

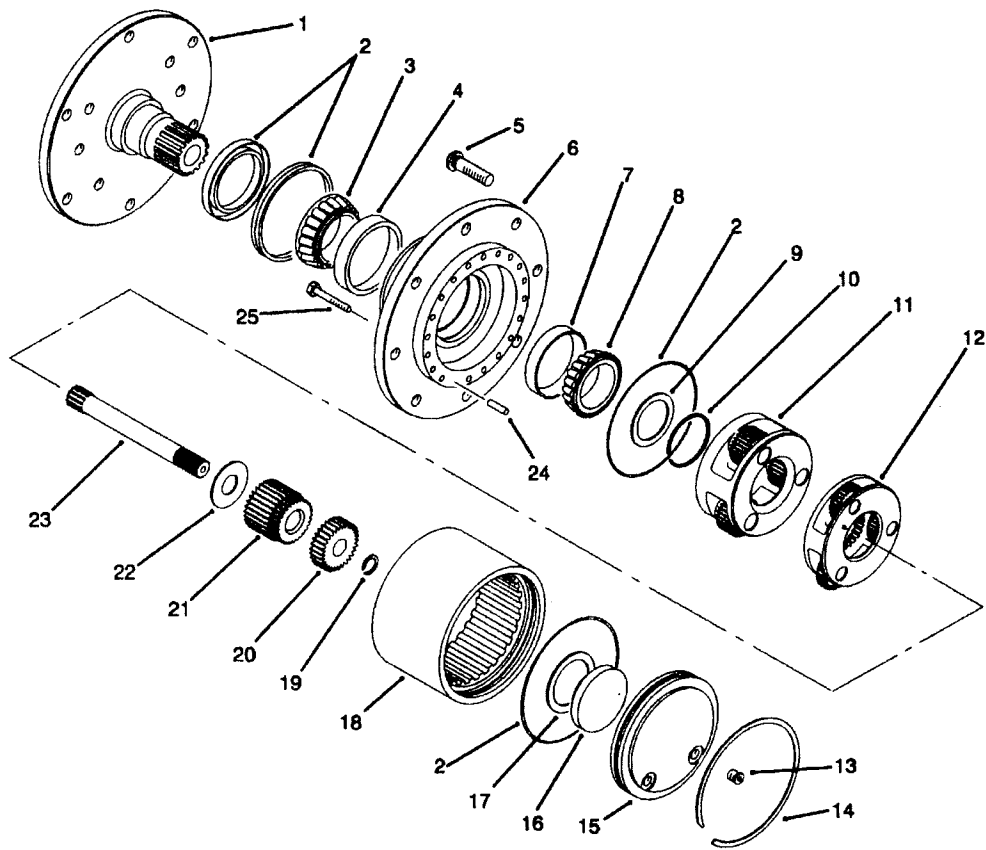


R.H. HYDRAULIC MOTOR ASSY. NO. 93-6489 W/SENSOR

#	Part No.	Description	Qty
1	76-7010	Ring - Retaining	1
2	94-3008	Seal - Shaft	1
3	94-3007	Washer	1
4	76-7000	Ring - Retaining	2
5	76-6950	Race - Thrust	2
6	76-6960	Bearing - Thrust	1
7	94-3004	Shaft - Drive, Splined	1
8	94-3002	Screw - HH	6
9	95-2081	Backplate Ass'y (Incl. #12-14)	1
10	76-6980	O-Ring	1

#	Part No.	Description	Qty
11	94-3010	Sensor - Speed Pickup	1
12		Pin - Dowel	1
13		Pin - Dowel	3
14		Bearing - Needle	1
15	94-3003	Plate - Valve	1
16	76-6910	Kit - Rotating	1
17	76-6970	Insert - Camplate	1
18	95-2083	Housing (Incl. #19)	1
19		Bearing - Needle	1

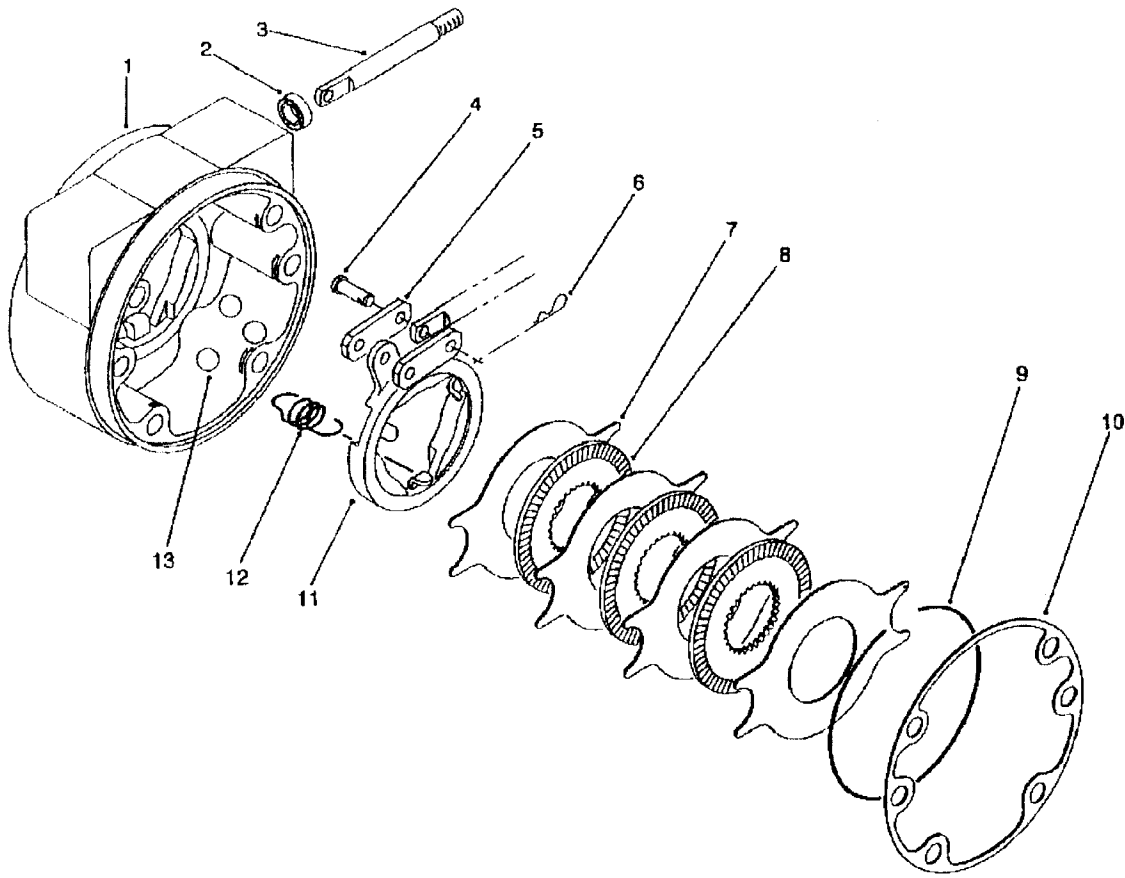
* Not illustrated



PLANETARY DRIVE ASSEMBLY - 92-7415

#	Part No.	Description	Qty	#	Part No.	Description	Qty
1	93-7450	Spindle	1	15	93-7458	Plate - Cover	1
2	93-7474	Kit - Seal	1	16	93-7457	Spacer - Input	1
3	93-7451	Cone - Bearing	1	17	93-7460	Washer - Thrust	1
4	93-7452	Cup - Bearing	1	18	93-7456	Gear - Ring	1
5	93-7455	Stud - Wheel	8	19	93-7459	Ring - Retaining, External	1
6	93-7453	Housing	1	20	93-7463	Gear - Sun	1
7	93-7470	Cup - Bearing	1	21	93-7464	Gear - Sun	1
8	93-7469	Cone - Bearing	1	22	93-7465	Washer - Thrust	1
9	93-7468	Washer - Thrust	1	23	93-7471	Shaft - Input	1
10	93-7467	Ring - Retaining, External	1	24	93-7466	Pin - Dowel	2
11	93-7472	Asm - Carrier, Secondary	1	25	93-7454	Screw - HH	18
12	93-7473	Asm - Carrier, Primary	1	*	92-7415	Asm - Complete (Includes Ref. #1-25)	1
13	93-7461	Plug - Pipe	2				
14	93-7462	Ring - Retaining, Internal	1				

* Not illustrated



BRAKE ASS'Y (LH SHOWN)

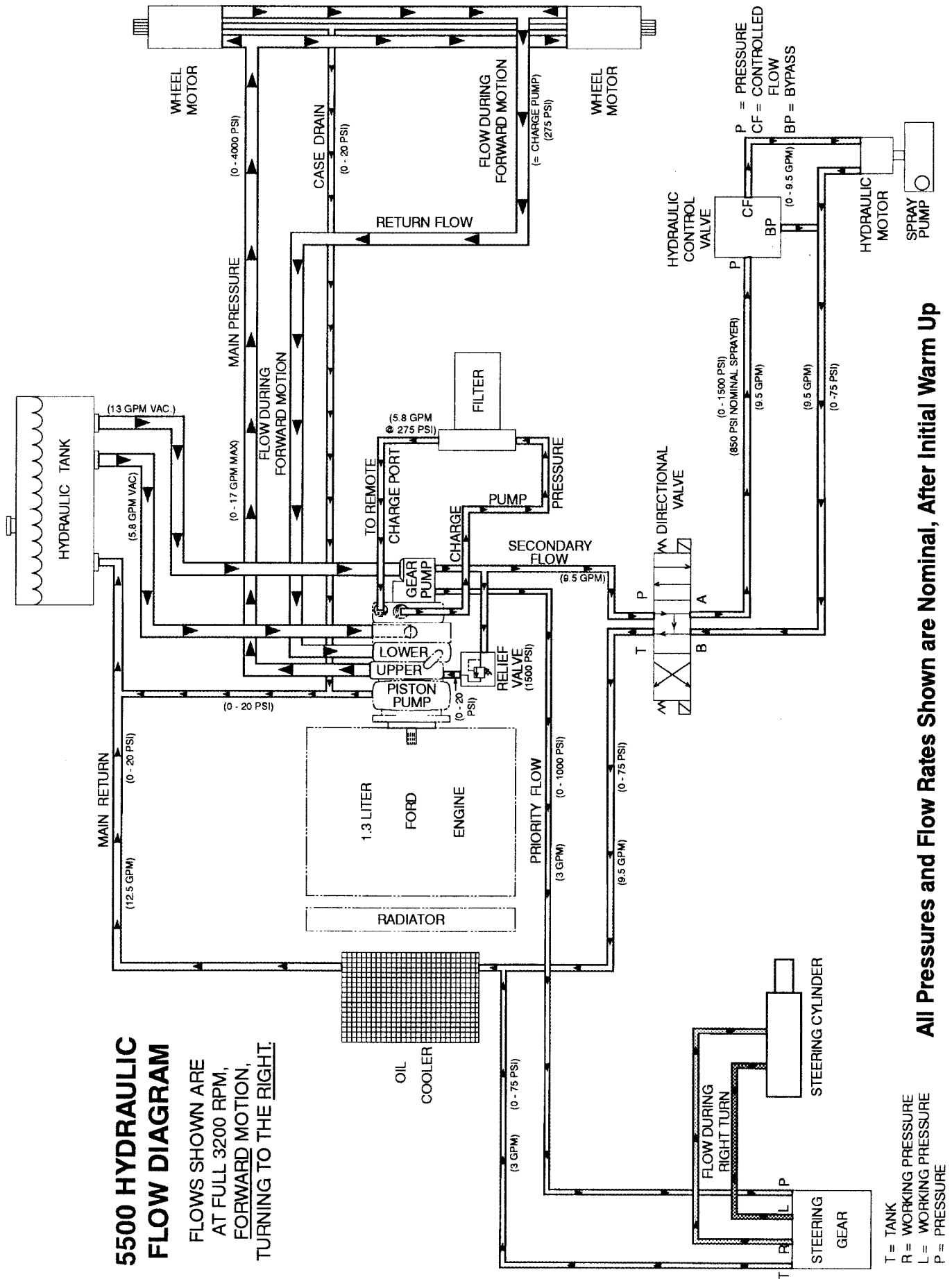
#	Part No.	Description	Qty
1	92-7417	Housing - Brake, LH	1
*	92-7414	Housing - Brake, RH	1
2	93-7977	Seal	1
3	93-7978	Rod - Pull	1
4	93-7983	Pin - Clevis	2
5	93-7980	Link	2
6	93-7979	Pin - Cotter, Hair	2

#	Part No.	Description	Qty
7	93-7986	Disc - Stationary	4
8	93-7981	Disc - Rotating	3
9	93-7976	Ring - Retaining	1
10	93-7984	Gasket	1
11	93-7982	Actuator	1
12	93-7987	Spring - Extension	3
13	93-7985	Ball	3

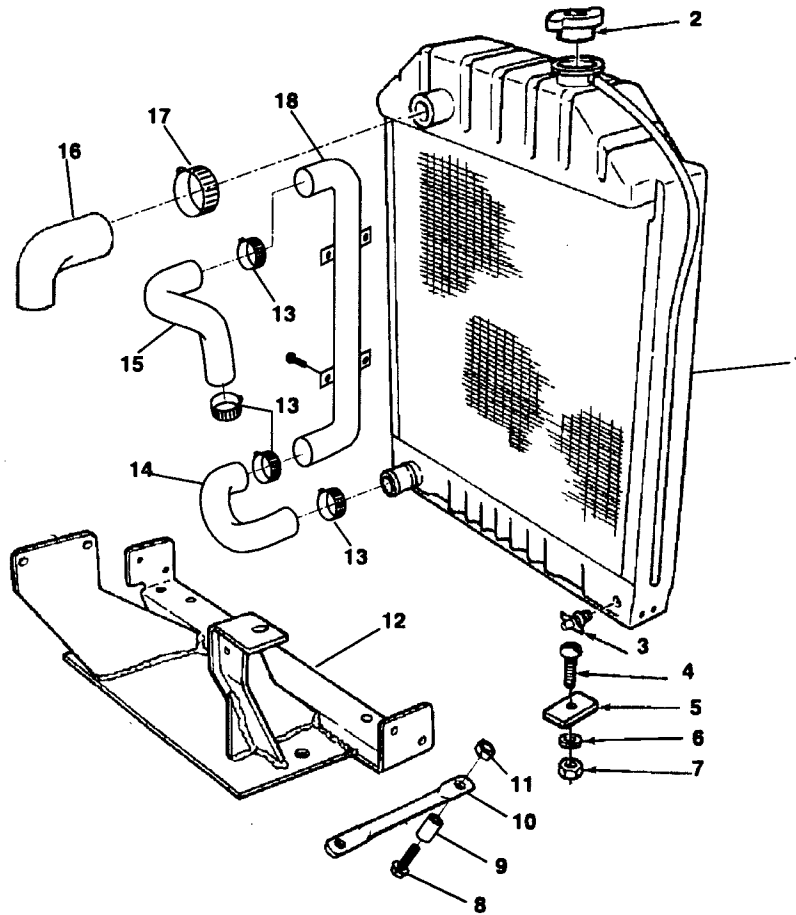
* Not illustrated

5500 HYDRAULIC FLOW DIAGRAM

Flows shown are at full 3200 RPM, FORWARD MOTION, TURNING TO THE RIGHT.



All Pressures and Flow Rates Shown are Nominal, After Initial Warm Up



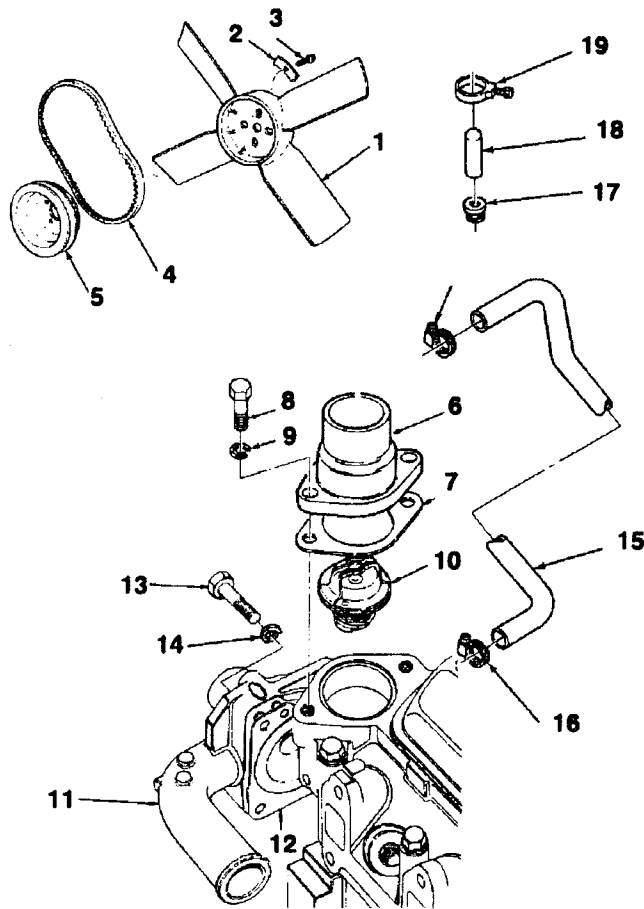
RADIATOR ASSY

#	Part No.	Description	Qty
1	E9JL-8005-AA	Radiator Ass'y	1
2	E2NN-8100-AA	Radiator Cap 7 PSI	1
3	8A-8115	Drain Cock	1
4	383465-S101	Bolt - Radiator to front support	2
5	7C-8125-A	Insulator	2
6	3828367-S100	Washer - 7/16 Flat	2
7	382400-S2	Nut - 7/16-14	2
8	588111-S2	Bolt - 5/16-18 x 1.5 Carriage	2
9	E9JL-10A370 -AA	Spacer - Brace to Radiator	2

#	Part No.	Description	Qty
10	E9JL-8046-AA	Brace - R.H.	1
11	33770-S2	Nut - 5/16-18	2
12	E8JL-5019-BA	Support	1
13	B7AZ-8287-C	Hose Clamp 1.75	4
14	E9JL-8286-AA	Lower Hose	1
15	E9JL-8286-AA	Water Pump Inlet Hose	1
16	E5JL-8260-AA	Upper Radiator Hose	1
17	D9AZ-8287-F	Hose Clamp 2.25	1
18	E8JL-8A521 -BA	Tube - Radiator to Water Pump	1

* Not illustrated

Order replacement parts from your Local Ford Power Products Dealer.

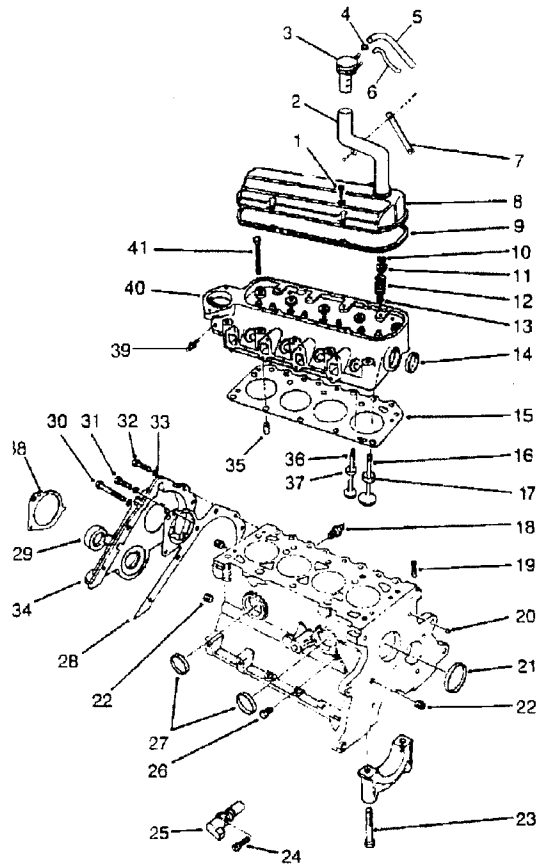


FAN, WATER PUMP, AND THERMOSTAT ASS'Y

#	Part No.	Description	Qty	#	Part No.	Description	Qty
1	E7JL-8600-AA	14.5" 4 Blade Fan	1	10	D4PZ-8575-A	Thermostat	1
2	E5JL-8N603			11	92BX-8591-AA	Water Pump	1
	-AA	Fan Strap	1	12	89BM-8507-AA	Water Pump Gasket	1
3	N605905-S2	Bolt	1	13	E600113-S72	Bolt	3
4	E9JL-8620-A2A	Belt	1	14	E832108-S71M	Washer	3
5	F1JL-8509-AC	2 Groove Water Pump Pulley	1	15	E9JL-8548-CA	By-Pass Hose	1
6	D7JL-8594-AA	Vertical Water Outlet Connection	1	16	383522-S	Hose Clamp	2
7	D1FZ-8255-B	Water Outlet Gasket	1	17	E6JL-8A574		
8	E602187-S72	Bolt	2		-AA	Plug, M22	1
9	E630173-S71M	Washer	2	18	C9AZ-9C492-A	Water Outlet Nipple Cap	1
				19	C9AZ-8287-A	Hose Clamp	2

* Not illustrated

Order replacement parts from your Local Ford Power Products Dealer.

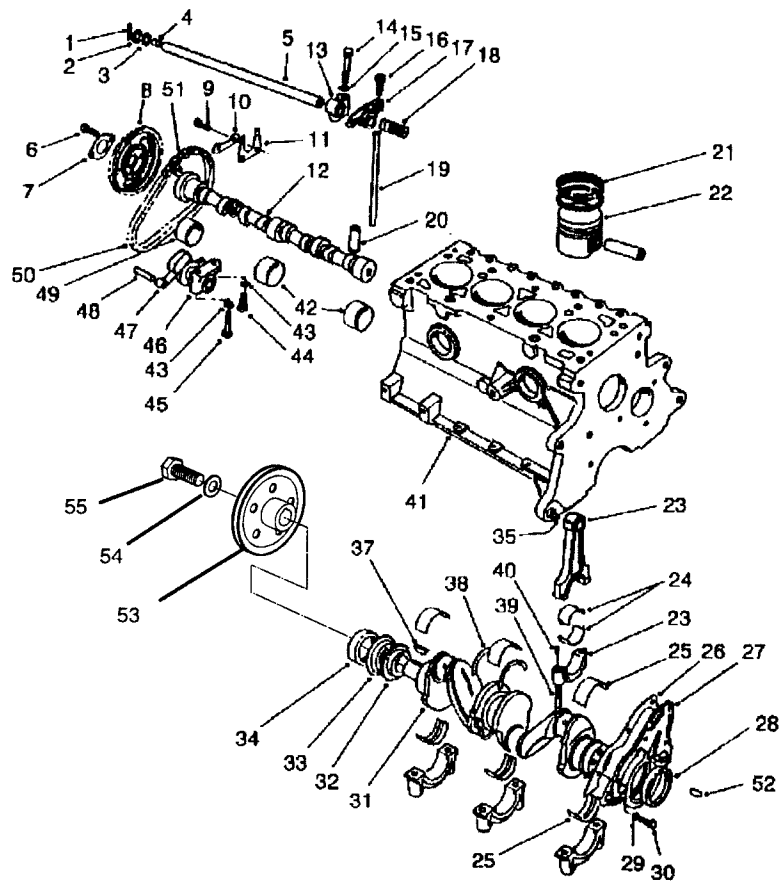


CYLINDER HEAD & VALVE ASSEMBLY

#	Part No.	Description	Qty
1	E800516-S72	Screw - Rocker Cover	4
	E630024-S201	Washer - Flat	4
†2	95-2140	Oil Tube Ass'y	1
3	84BF-6K614	-CA	1
		Cap - Oil Fill	1
†4	096609	Hose Clamp	1
†5	95-2171	Oil Breather Hose	1
†6	95-2172	Crankcase Discharge Hose	1
†7	95-2143	Oil Tube Brace Strap	1
†	20-24-AGD	5/16 x 3/4 Bolt	1
†	22-12-AJD	5/16 Hex Nut	1
†	23-10-GD	5/16 Lockwasher	1
†	24-10-AD	5/16 Flatwasher	2
8	91BM-6582-GA	Cover - Rocker Arm	1
9	77BM-6584-CA	Gasket - Cover	1
10	88WM-6518	-AA	16
		Lock Valve Spring	
11	89BM-6A536	-AA	8
		Retainer	
12	89BM-6513-AA	Spring - Valve	8
13	88WM-6571	-BB	8
		Seal - Valve Stem	
14	DORY-6026-A	Plug	1
15	89BM-6051	-C2B	1
		Gasket - Cylinder Head	
16	89BM-6507-BA	Valve - Intake - Std.	4
*	89BM-6507-BC	Valve - Intake .040mm O.S.	A/R
17	89BM-6056	-A1G	4
		Intake Valve Seat	

#	Part No.	Description	Qty
18	E7RZ-9278-A	Switch Oil Pressure	1
19	D8RZ-6767-A	Adapter	1
20	E890100-S	Plug - Ball - Oil Gallery	1
21	D8RZ-6026-A	Plug	1
22	F1ZZ-6026-A	Plug	3
23	D1FZ-6345-A	Bolt - Bearing Cap	10
24	E802666-S72	Screw	1
25	89BF-6C315	-AB	1
		Transducer	
26	353055-S7	Plug	1
27	DORY-6026-A	Plug	2
28	89BM-6020-AA	Gasket - Front Cover	1
29	83BM-6700	-A4A	1
		Seal - Front Cover	
30	E800518-S72	Bolt	1
31	E600113-S72	Bolt	3
32	E800512-S72	Bolt	4
33	E832108-S71M	Lockwasher	8
34	89BM-6019-AA	Cover & Seal Assembly (Incl. Ref. #29)	1
		Dowel	2
35	E840126S	Dowel	2
36	89BM-6505-EA	Valve - Exhaust .040mm O.S.	A/R
*	89BM-6505-CA	Valve - Exhaust Std.	4
37	89BM-6057	-A2E	4
		Insert - Exhaust Seat	
38	D8RZ-8507-A	Water Pump Gasket	1
39	DY881	Temperature Sender	1
40	89BM-6049-DD	Cylinder Head Assembly	1
41	89BM-6065-DA	Bolt - Cylinder Head	10

* Not illustrated † Order part from your Authorized TORO Distributor.
Order replacement parts from your Local Ford Power Products Dealer.



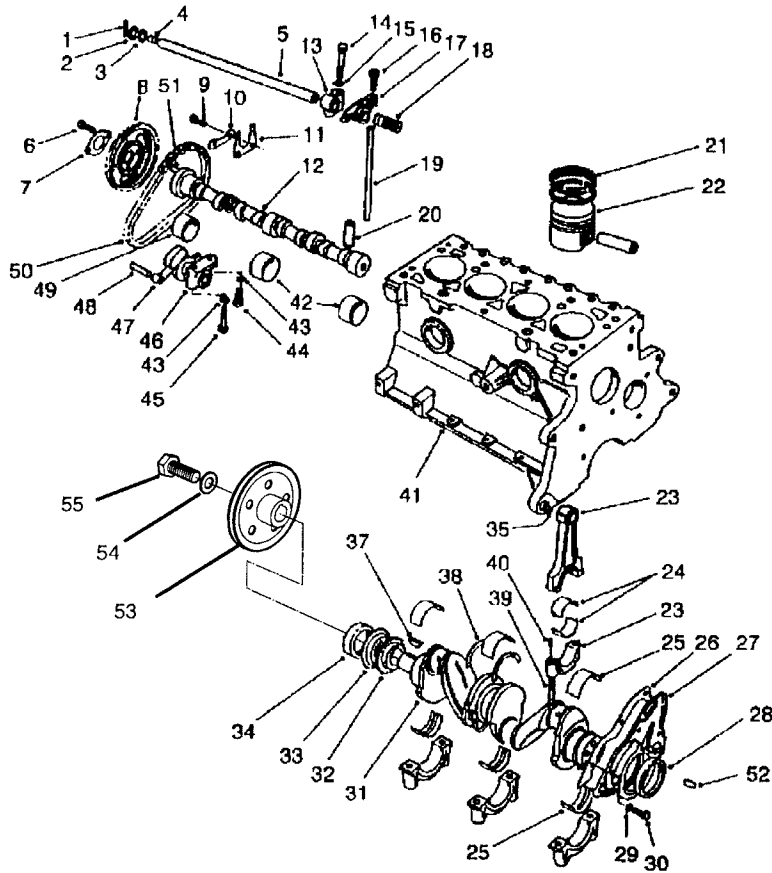
CRANKSHAFT & CAMSHAFT ASSEMBLY

#	Part No.	Description	Qty
1	72025-S7	Cotter Pin	2
2	77BM-6598-AB	Washer - Spring	2
3	DORY-6590-A	Washer - Flat	2
4	357966-S	Plug - Rocker Arm Shaft	2
5	89BM-6A557-AA	Rocker Arm Shaft Assy. (Incl. Ref. #4)	1
6	E602351-S72	Bolt	2
7	DORY-6258-A	Retainer	1
8	77BM-6256-AA	Sprocket - Camshaft	1
9	N602166-S2	Bolt	2
10	DORY-6255-A	Retainer	1
11	DORY-6269-A	Plate - Thrust	1
12	89BM-6251-BA	Camshaft	1
13	77BM-6531-BB	Support - Rocker Shaft	4
14	E800509-S72	Bolt - Rocker Support	4
15	E630031-S101	Washer	4
16	DORY-6549-B	Screw	8
17	89BM-6529-AB	Valve Rocker Arm - R.H. (Incl. Ref. #16)	4
*	89BM-6K52-AB	Valve Rocker Arm - L.H. (Incl. Ref. #16)	4
18	DORY-6587-A	Spring - Locating	3
19	89BM-6565-AA	Rod - Valve Push	8
20	89BM-6500-AA	Tappet - STD.	8
21	89BM-6148-DA	Ring Set - STD.	4
*	89BM-6148-EA	Ring Set - .020 OS.	A/R
*	89BM-6148-FA	Ring Set - .040 OS.	A/R

#	Part No.	Description	Qty
22	89BM-6102-DA	Piston Assembly STD. (Incl. Ref. #21)	4
*	89BM-6102-EA	Piston Assembly .020 OS. (Incl. Ref. #21)	A/R
*	89BM-6102-FA	Piston Assembly .040 OS. (Incl. Ref. #21)	A/R
23	89BM-6200-AD	Connecting Rod Assy.	4
24	89BM-6211-AA	Bearing - Rod STD.	8
*	89BM-6211-BA	Bearing - Rod .001 U.S.	A/R
*	89BM-6211-CA	Bearing - Rod .010 U.S.	A/R
*	89BM-6211-DA	Bearing - Rod .020 U.S.	A/R
*	89BM-6211-EA	Bearing - Rod .030 U.S.	A/R
25	89BM-6333-AA	Bearing - Crank Upper STD. OD STD. ID	5
*	89BM-6331-AA	Bearing - Crank Lower STD. OD STD. ID	5
*	89BM-6333-BA	Bearing - Crank Upper STD. OD .005 US. ID	A/R
*	89BM-6331-BA	Bearing - Crank Lower STD. OD .005 US. ID	A/R
*	89BM-6333-CA	Bearing - Crank Upper STD. OD .010 US. ID	A/R
*	89BM-6331-CA	Bearing - Crank Lower STD. OD .010 US. ID	A/R
*	89BM-6333-DA	Bearing - Crank Upper 015 OD STD. ID	A/R

* Not illustrated

Order replacement parts from your Local Ford Power Products Dealer.



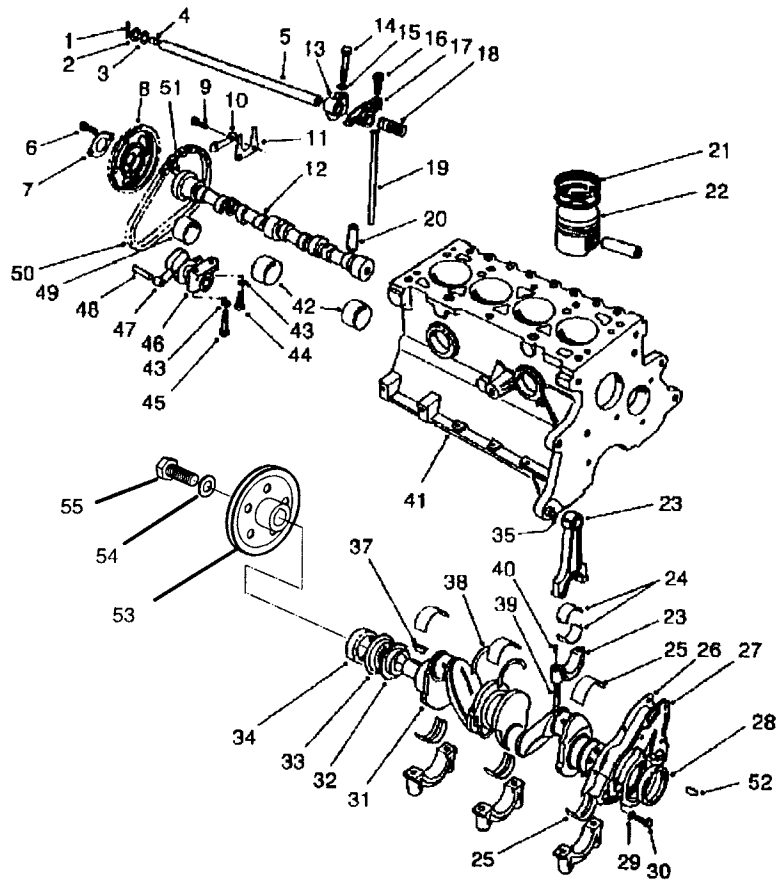
CRANKSHAFT & CAMSHAFT ASSEMBLY

#	Part No.	Description	Qty
*	89BM-6331-DA	Bearing - Crank Lower .015 OD STD. ID	A/R
*	89BM-6333-EA	Bearing - Crank Upper STD. OD .020 US. ID	A/R
*	89BM-6331-EA	Bearing - Crank Lower STD. OD .020 US. ID	A/R
*	89BM-6333-FA	Bearing - Crank Upper STD. OD .030 US. ID	A/R
*	89BM-6331-FA	Bearing - Crank Lower STD. OD .030 US. ID	A/R
*	89BM-6333-GA	Bearing - Crank Upper .015 OS. OD .010 US. ID	A/R
*	89BM-6331-GA	Bearing - Crank Lower .015 OS. OD .010 US. ID	A/R
*	89BM-6333-HA	Bearing - Crank Upper .015 OS. OD .020 U.S. ID	A/R
*	89BM-6331-HA	Bearing - Crank Lower .015 OS. OD .020 US. ID	A/R
26	89BM-6344-BA	Gasket Rear Retainer	1
27	86BM-6K318 -AA	Retainer Assembly Rear	1
28	86HM-6701 -A1A	Seal Crankshaft Rear	1

#	Part No.	Description	Qty
29	E630173-S71M	Lockwasher	4
30	E602187-S72	Bolt	4
31	89BM-6303-DA	Crankshaft Assembly	1
32	DORY-6306-A	Sprocket	1
33	D8RZ-6310-A	Slinger Oil	1
34	83BM-6700- A4A	Seal - Front Cover	1
35	E7RY6397-A	Dowel	2
37	DORY-6B316-A	Key - Woodruff	1
38	89BM-6A341 -AA	Washer - Bearing Thrust STD.	2
*	89BM-6A341 -BA	Washer - Bearing Thrust .015 OS.	A/R
39	89BM-6214-DB	Bolt - Connecting Rod	8
40	116336-ES100	Dowel Pin - Rod	8
41	89BM-6011-DA	Cylinder Block	1
42	DORY-6262-C	Bearing - STD. ID STD. OD	2
*	DORY-6262-B	Bearing - STD. ID +.020 OD	A/R
43	34805-S8	Lockwasher	2
44	N602166-S72	Bolt	1
45	E600116-S204	Bolt	1
46	DIFZ-6284-A	Tensioner	1
47	77BM-6K255 -AC	Arm - Tensioner	1

* Not illustrated

Order replacement parts from your Local Ford Power Products Dealer.



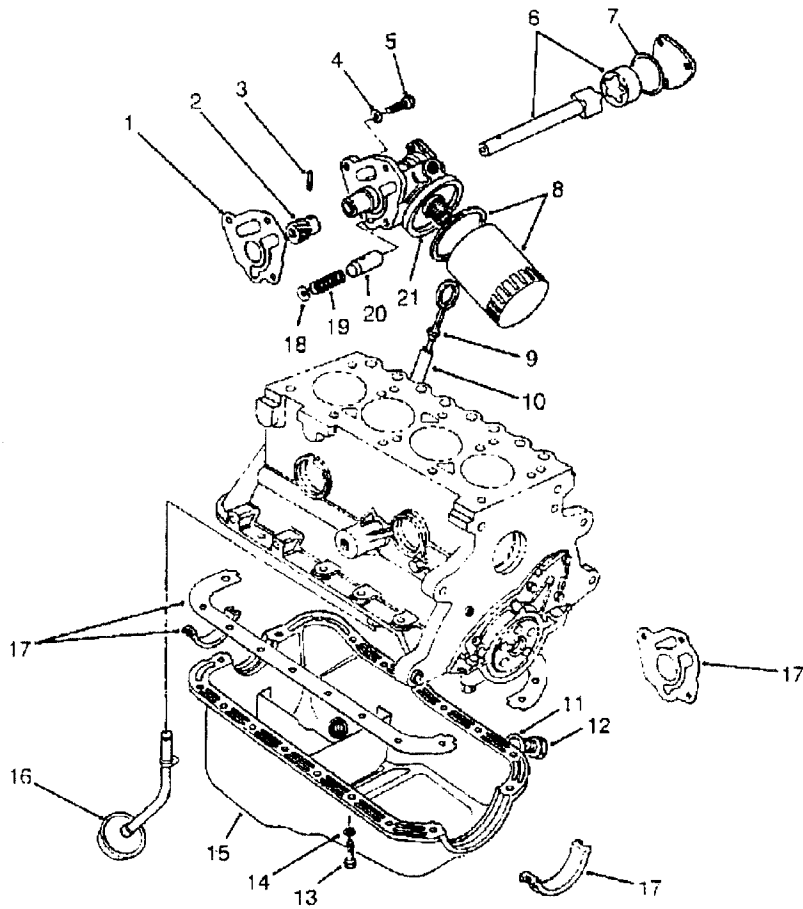
CRANKSHAFT & CAMSHAFT ASSEMBLY

#	Part No.	Description	Qty
48	E43-CP-1	Pin	1
49	DORY-6261-A	Bearing - STD. ID STD. OD	1
*	DORY-6261-B	Bearing - STD. ID +.020 OD	A/R
50	DORY-6268-A	Chain	1
51	E93A-6253-A	Dowel	1

#	Part No.	Description	Qty
52	E840161-S	Dowel	1
*	88BX-6008-BA	Gasket Kit Complete	1
*	88BX-6014-BA	Gasket Kit Upper	1
53	E5JL-6A312 -BA	2 Groove Crankshaft Pulley	1
54	E830135-S76	Washer	1
55	89BM-6K340 -AA	Bolt	1

* Not illustrated

Order replacement parts from your Local Ford Power Products Dealer.



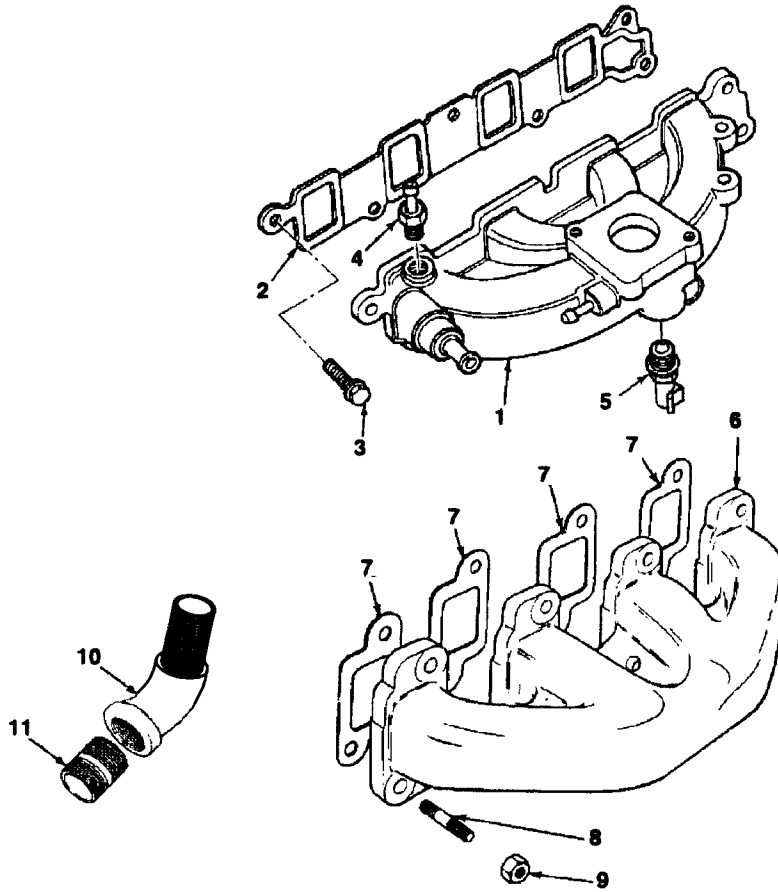
OIL PUMP & FILTER ASSEMBLY

#	Part No.	Description	Qty
1	96BM-6659 -A1A	Gasket - Oil Pump	1
2	DORY-6652-A	Gear	1
3	72432-S	Pin - Drive Gear	1
4	E630173-S71M	Lockwasher	3
5	E800519-S72	Bolt	3
6	D1FZ-6608-B	Rotor & Shaft	1
7	116682-ES	Seal Cover Plate	1
8	FL-313	Filter - Oil	1
9	92BM-6750-AA	Indicator - Oil Level	1
10	89BM-6784-AA	Tube Oil Level Indicator	1

#	Part No.	Description	Qty
11	E9DZ-6734-B	Gasket Oil Drain Plug	1
12	E9DZ-6730-B	Plug - Oil Drain	1
13	E602165-S72	Bolt	18
14	34805-S8	Lockwasher	18
15	86BM-6675-AA	Oil Pan	1
16	86BM-6617-AA	Oil Pickup Tube Assy.	1
17	A850X-6013-AA	Kit - Gasket Seal	1
18	DORY-6666-A	Plug	1
19	DORY-6670-A	Spring	1
20	DORY-6674-A	Plunger	1
21	D8RZ-6600-A	Pump - Oil	1

* Not illustrated

Order replacement parts from your Local Ford Power Products Dealer.

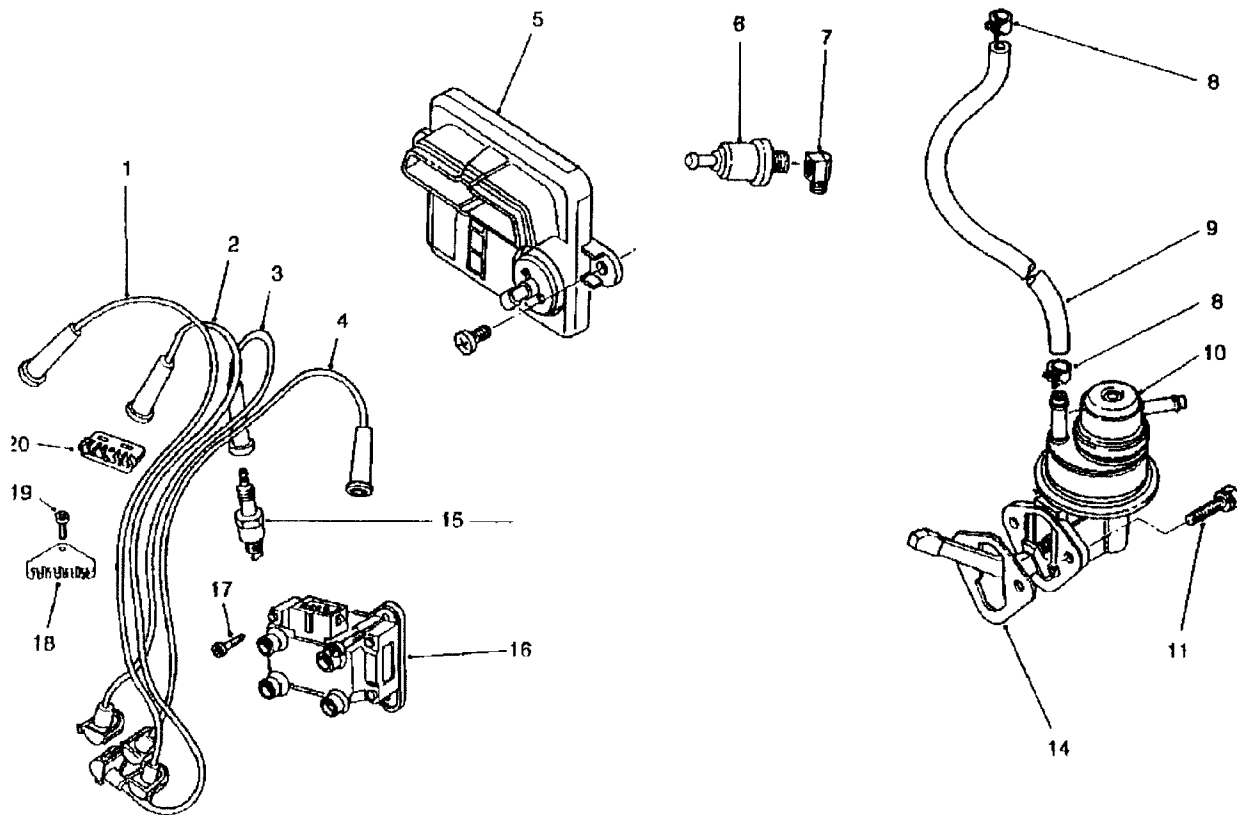


MANIFOLD ASSEMBLY

#	Part No.	Description	Qty
1	89BF-9424-AD	Manifold - Intake	1
2	89BM-9441-AB	Gasket - Intake Manifold	1
3	E800157-S72	Bolt - M8 x 25	6
4	77BF9K442-AA	Vacuum Line Adapter	1
5	DY681	Temperature Sender - 250°	1
6	F5JL-9950-BA	Manifold - Exhaust	1

#	Part No.	Description	Qty
7	89BM-9448-BA	Exhaust Manifold Gasket	4
8	E805697-S76	Stud - M8 x 27.5	8
9	N620481-S2	Nut - M8 UBS	8
†10	9990	45° Elbow, 1-1/4" Galv. Street	1
†11	92-0016	Nipple, 1-1/4"	1

† Order part from your Authorized TORO Distributor. * Not illustrated
 Order replacement parts from your Local Ford Power Products Dealer.



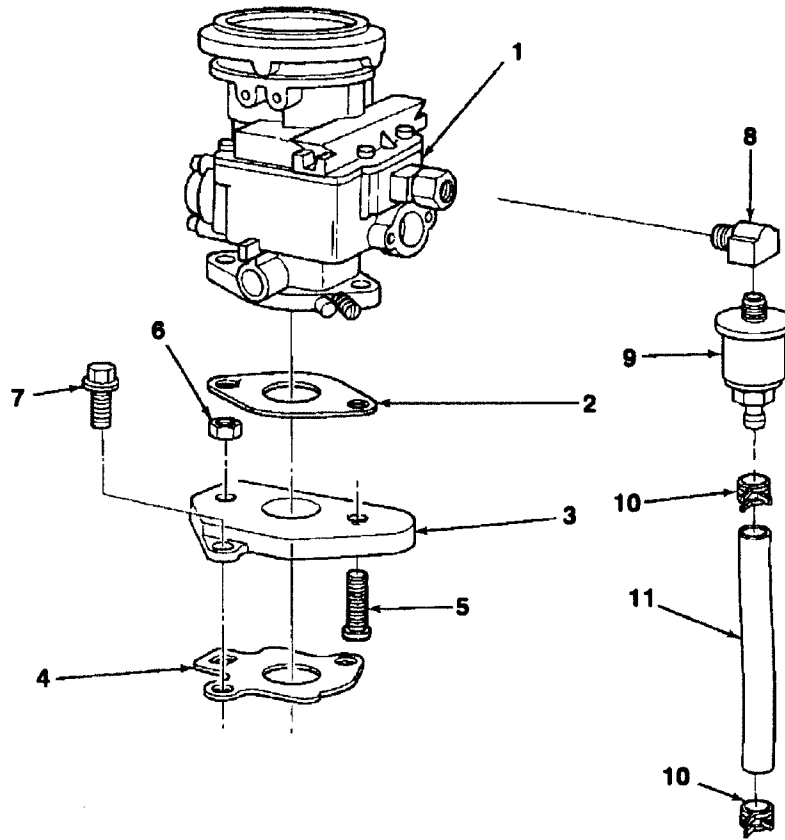
IGNITION & FUEL PUMP ASSEMBLY

#	Part No.	Description	Qty
1	89BF-12287 -AC	Wire - Spark Plug #4	1
2	89BF-12284 -AD	Wire - Spark Plug #3	1
3	89BF-12283 -AD	Wire - Spark Plug #2	1
4	88BF-12286 -AD	Wire - Spark Plug #1	1
5	89FB-12A297 -GA	Module - Ignition Control Ass'y	1
6	D7TZ-9155E	Filter - Fuel	1
7	370829-S101	Elbow	1
8	380882-S32	Clamp - Fuel Hose	A/R
9	381103-S180A	Hose - Fuel	1

#	Part No.	Description	Qty
10	83BF-9350-AA	Fuel Pump	1
11	N602551-S2	Screw & Washer	2
14	83BM-9417 -A1A	Gasket - Fuel Pump	1
15	AGRF22 AGSF22C	Spark Plug (Motorcraft)	4
16	89BF-12024 -A1B	Coil & Bracket Assy.	1
17	E804335-S201	Screw	3
18	89BF-12297-AA	Separator - Wire	1
19	E802166-S76	Screw	1
20	E865648-S	Separator - Wire	1
*	E8JL-12A200 -AD	Main Engine Harness	1

* Not illustrated

Order replacement parts from your Local Ford Power Products Dealer.



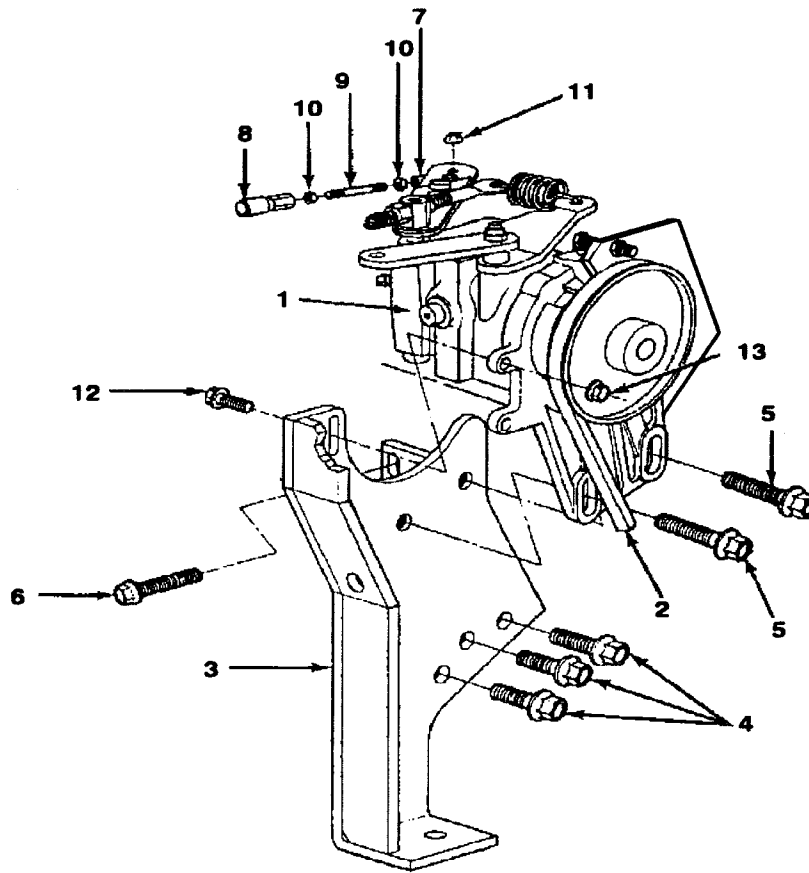
CARBURETOR ASSEMBLY

#	Part No.	Description	Qty
1	E9JL-9510-GA	Carburetor Assembly	1
2	E5JL9447-BA	Carburetor to Adapter Gasket	1
3	E8JL9A589-CB	Adapter	1
4	87BF-9447-BA	Carburetor Gasket	1
5	E804216-S	Stud-M8 x 29.5	2
6	N620041-S51	Nut-M 8	2
7	N800055-S	Bolt-M6 x 20	2

#	Part No.	Description	Qty
8	370829-S101	90° Elbow	1
9	D7TZ9155-E	Fuel Filter Assy	1
10	380882-S32	Hose Clamp	2
11	381103-S180A	Fuel Hose	1
*	C6JZ-9740-A	Clevis - Carburetor/Governor	1
*	E9JL9590-BA	Carburetor Enhancement Kit	A/R
*	F4JL-9B559-AA	Accelerator Pump	A/R

* Not illustrated

Order replacement parts from your Local Ford Power Products Dealer.



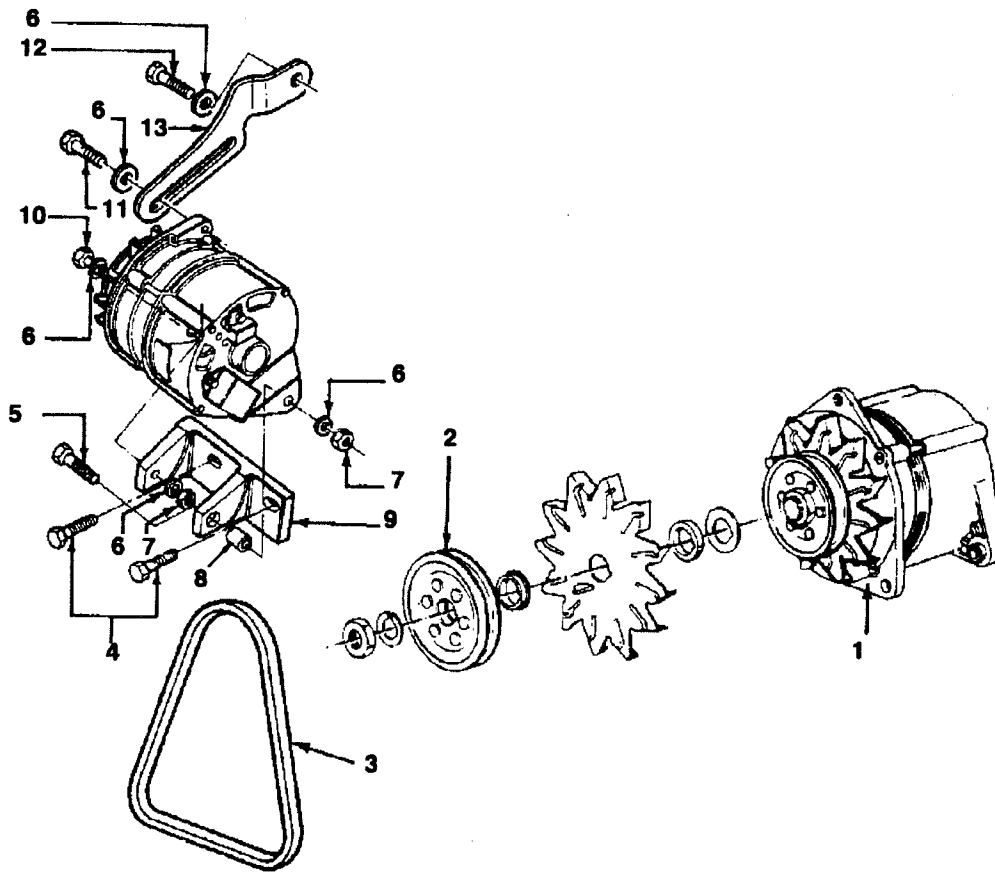
GOVERNOR ASS'Y

#	Part No.	Description	Qty
1	E5JL-12450 -AC	Governor - Variable Speed	1
2	E9JL-8620-AA	Governor Belt	1
3	E9JL-12454 -AB	Power Unit Mounting Bracket	1
4	N800057-S2	Bolt - M10 x 40 UBS	3
5	N605920-S2	Bolt - M10 x 33	2
6	N605788-S2	Bolt - M8 x 30 UBS	1

#	Part No.	Description	Qty
7	E5JL-99810 -BA	Ball Joint	1
8	E7JL-99810 -AA	Ball Joint	1
9	E8JL-9A722 -AB	Throttle Rod	1
10	34079-S36	Nut - No.10-32	2
11	55732-S2	Nut - No. 10-32 Hex Flange	1
12	N606677-S55	Screw and Washer M6 x 25	1
13	N620480-S2	Nut - M6	1

* Not illustrated

Order replacement parts from your Local Ford Power Products Dealer.



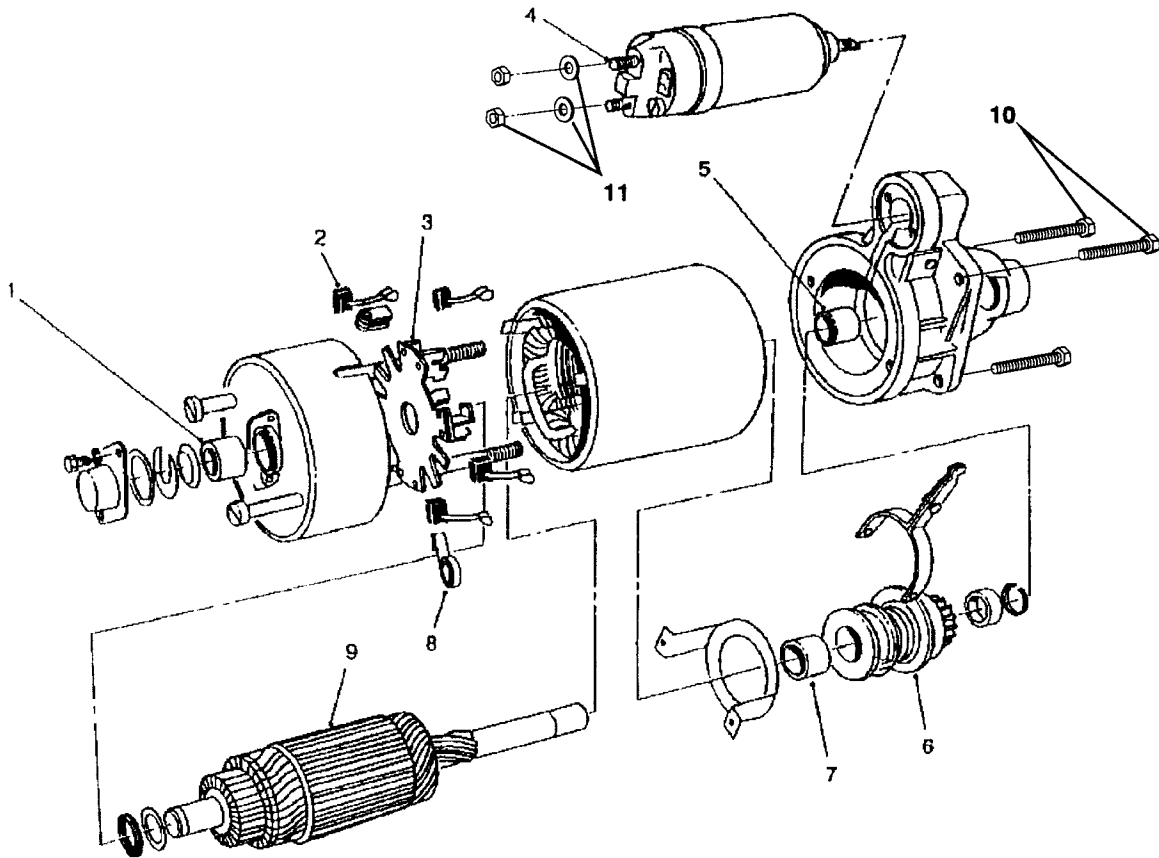
ALTERNATOR REGULATOR ASSEMBLY

#	Part No.	Description	Qty
1	D2JL-10346-AB	Alternator - 51 AMP	1
2	D3JL-10A352-B	Pulley	1
3	DORY 8620 C	Belt - Water Pump/Alternator	1
4	N60580152	Bolt - M10-150 x 36 (UBS)	2
5	E601215-S200	Bolt - M8 x 50	1
6	E630173-S71M	Washer M8Lock	5

#	Part No.	Description	Qty
7	E620013-S72	Nut - M8	2
8	382400S2	Spacer	1
9	F3JL-10039-AA	Mounting Bracket	1
10	E600213-S101	Bolt - M8 x 40	1
11	E602188-S72	Bolt - M8 x 25	1
12	E602187-S72	Bolt - M8 x 20	1
13	781F-10145-AA	Adjusting Arm	1

* Not illustrated

Order replacement parts from your Local Ford Power Products Dealer.

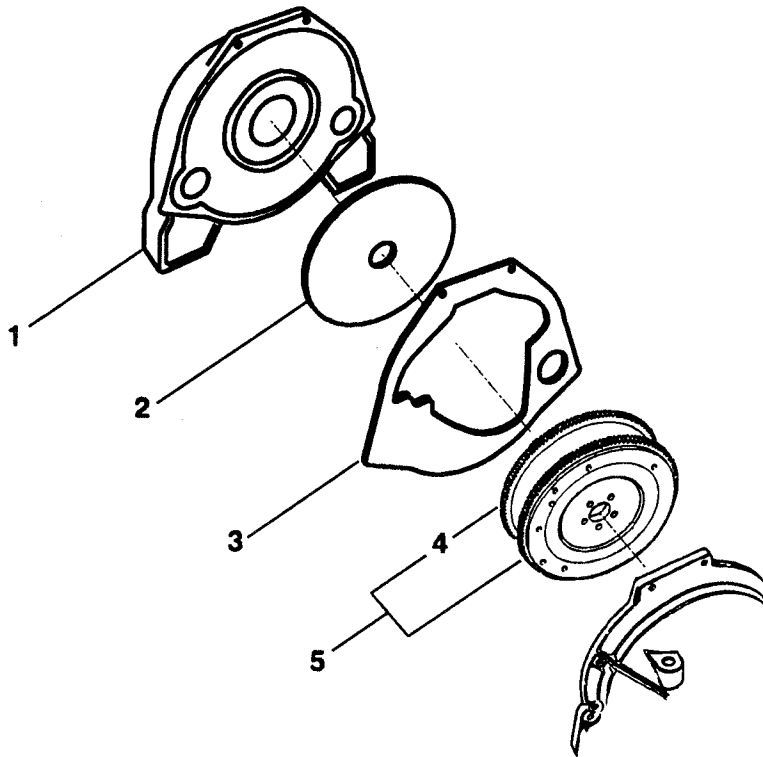


STARTER MOTOR ASSEMBLY (91AB11000JB)

#	Part No.	Description	Qty
1		Bushing - Brush End	1
2		Brush Set	1
3		Holder - Brush	1
4		Solenoid	1
5		Bushing - Drive End	1
6		Drive Assembly	1

#	Part No.	Description	Qty
7		Bushing - Starter Drive	1
8		Spring - Brush	4
9		Kit - Armature Install	1
10	N606067-S2	Bolt M 10 x 75	3
11	N80532053	Nut and Washer M 6-1.00	2
*		Kit - Wiring, Service	1
*	C6JZ-6404-A	Decal- 12 Volt Electric	1

* Not illustrated



MAIN HARNESS AND FLYWHEEL ASS'Y

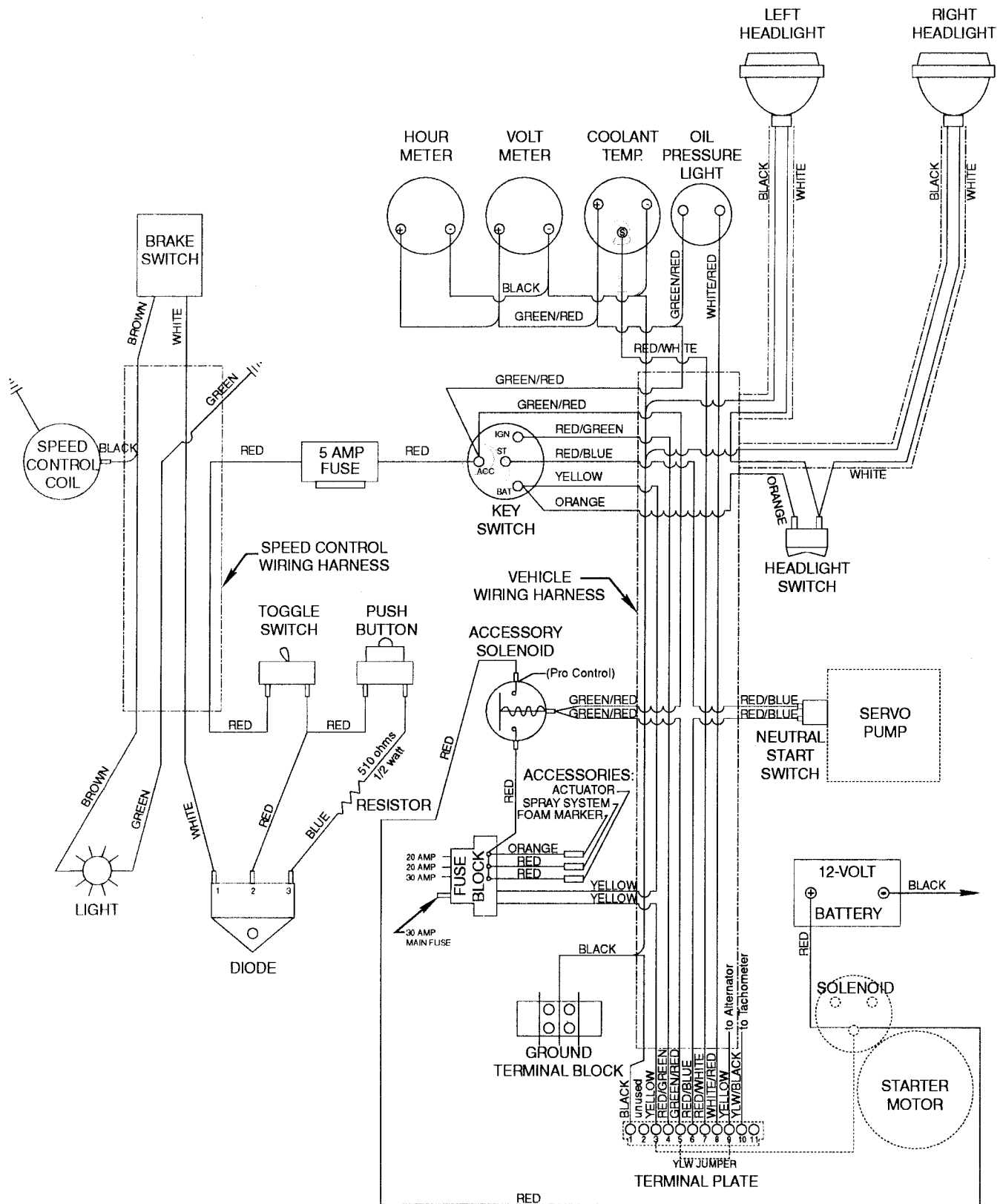
#	Part No.	Description	Qty
†1	92-0283	Engine Bell Housing	1
†2	92-0285	Coupling Ass'y	1
†3	92-0284	Starter Plate	1
4	D8RZ-6384-A	Ring Gear - 135 teeth	1
5	84FM-6375-AB	Flywheel and Ring Gear Ass'y	1
6	E6JL-14A465 -BA	Bracket - Terminal Block	1

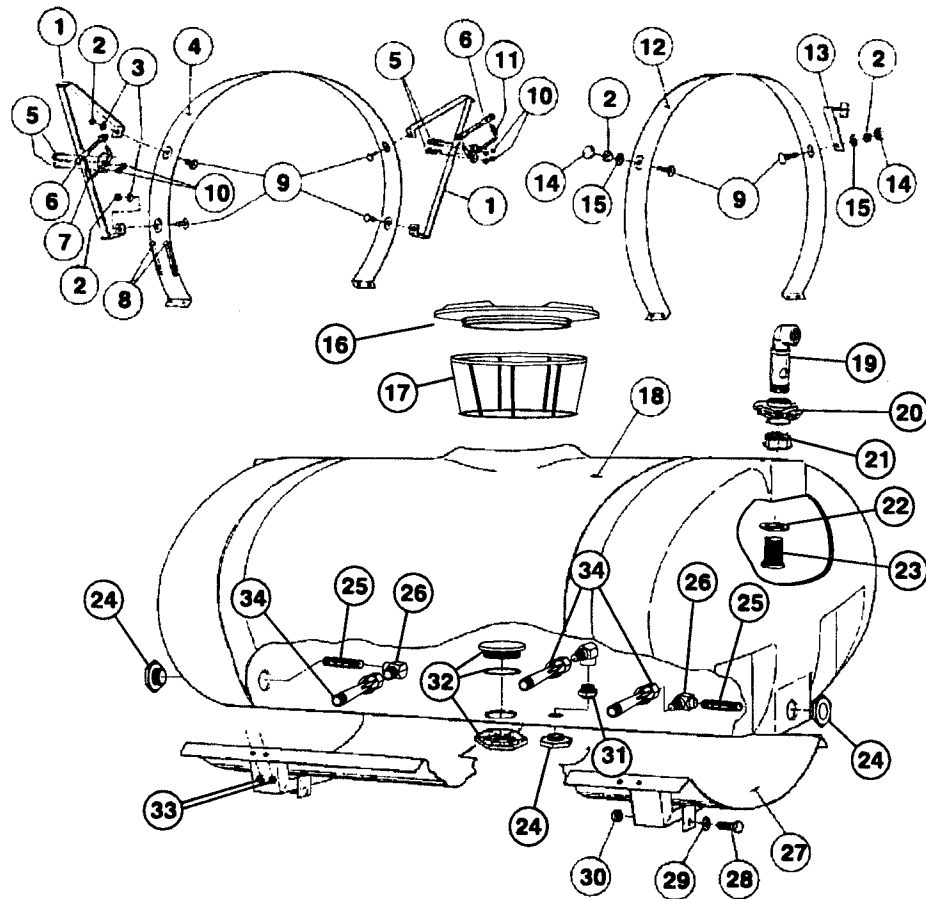
#	Part No.	Description	Qty
7	N800057-S2	Bolt - M10 x 40 UBS	2
8	E6JL-14F448 -AA	Plate - Terminal Block	1
9	56503-S2	Bolt - 1/4-20 x .75	2
10	F4JL-14305-BA	Harness Ass'y	1
11	DOHZ-14448-F	Block Ass'y - 11 Stud Terminal	1
12	383255-S36	Nut and Washer - 10-20	11

* Not illustrated

† Order part from your Authorized TORO Distributor.
Order replacement parts from your Local Ford Power Products Dealer

VEHICLE ELECTRICAL DIAGRAM



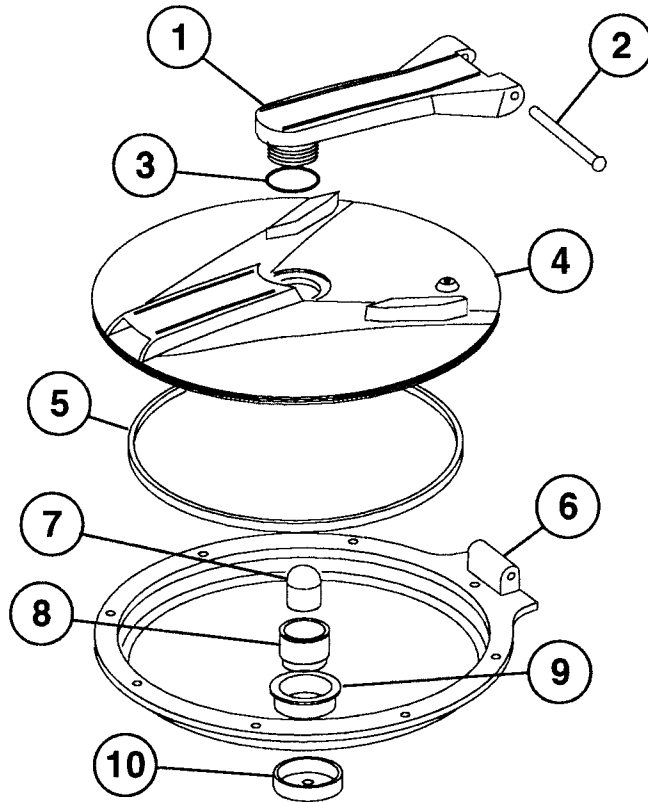


TANK / SADDLE ASSEMBLY

#	Part No.	Description	Qty	#	Part No.	Description	Qty
1†	42983	Hold-In Brace Ass'y	2	16	94-7088	Tank Lid Ass'y - Hinged	1
2†	22-13-AJD	Hex Nut 5/16 NC	6	*	93-0688	Decal - Chemicals	1
3†	24-10-BD	Flat Washer 5/16	4	17	42323	Filler Basket (f/w Tank Lid Ass'y)	1
4	43007	Mounting Band (front)	1	18	93-6506	Tank Ass'y 300 Gallon	1
*	87-0570	Decal - Electric Shock	1	19	43069	Stand-Up Ass'y	1
5†	5125	U-Bolt, 1/4 NC	4	20	43064	Knife Valve	1
6†	42198	Rubber Hold Down Strap	2	21	43068	Fly Nut, 2" NPT	1
7†	42259	Boom Hold-In Ass'y L.H.	1	22	43067	Sealing Washer	1
8	41809	Mounting Band Bolt	8	23	43066	Bulk Head, 2" NPT	1
9	25-25-AGD	Carriage Bolt 5/16 NC x 3/4	6	24	94-7089	Tank Fitting, 1/2" Double Thd.	3
10†	22-11-AJD	Hex Nut 1/4 NC	8	25	94-7103	Nipple 1/2 x 3"	2
11†	42316	Boom Hold-In Ass'y R.H.	1	26	94-7104	90° St. Elbow 1/2"	3
12	42215	Mounting Band	2	27	93-6497	Tank Saddle Ass'y	1
*	87-0570	Decal - Electric Shock	1	28	20-121-AGD	HHCS, 5/8 NC x 1-1/2" (grade 5)	2
13†	42277	Pressure Gauge Bracket Ass'y	1	29	24-15-AD	Flat Washer, 5/8"	2
14	42452	Protective Cap	2	30	22-17-AJD	Hex Nut, 5/8 NC	2
15	23-10-GD	Lock Washer, 5/16	2	31	41314	Close Nipple, 1/2"	1
				32	41798	Anti-Vortex Fitting (f/w tank ass'y)	1
				33	22-13-AJD	Hex Nut, 3/8 NC	8
				34	92-8392	Jet Agitator	3

† Alternate Boom Hold-In Method

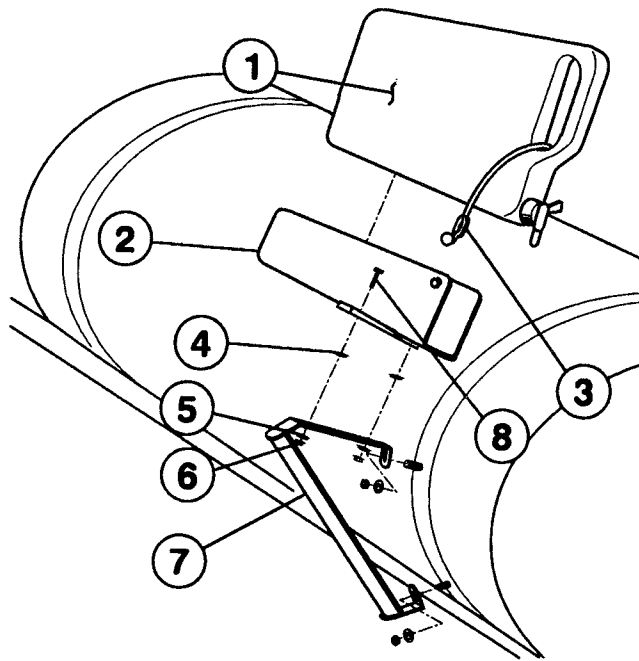
* Not illustrated



TANK LID ASSEMBLY 94-7088

#	Part No.	Description	Qty	#	Part No.	Description	Qty
1	94-7205	Swivel Arm	1	7	94-7209	Breater Plunger	1
2	94-7213	Pivot Arm	1	8	94-7210	Breather Body	1
3	94-7206	O-Ring EPDM	1	9	94-7212	Breather Nut	1
4	94-7207	Spray Tank Lid	1	10	94-7214	Breather Cap	1
5	94-7208	Gasket EPDM	1				
6	94-7211	Tank Lid Ring	1				
*	93-0833	Aluminum Pop Rivet	8				

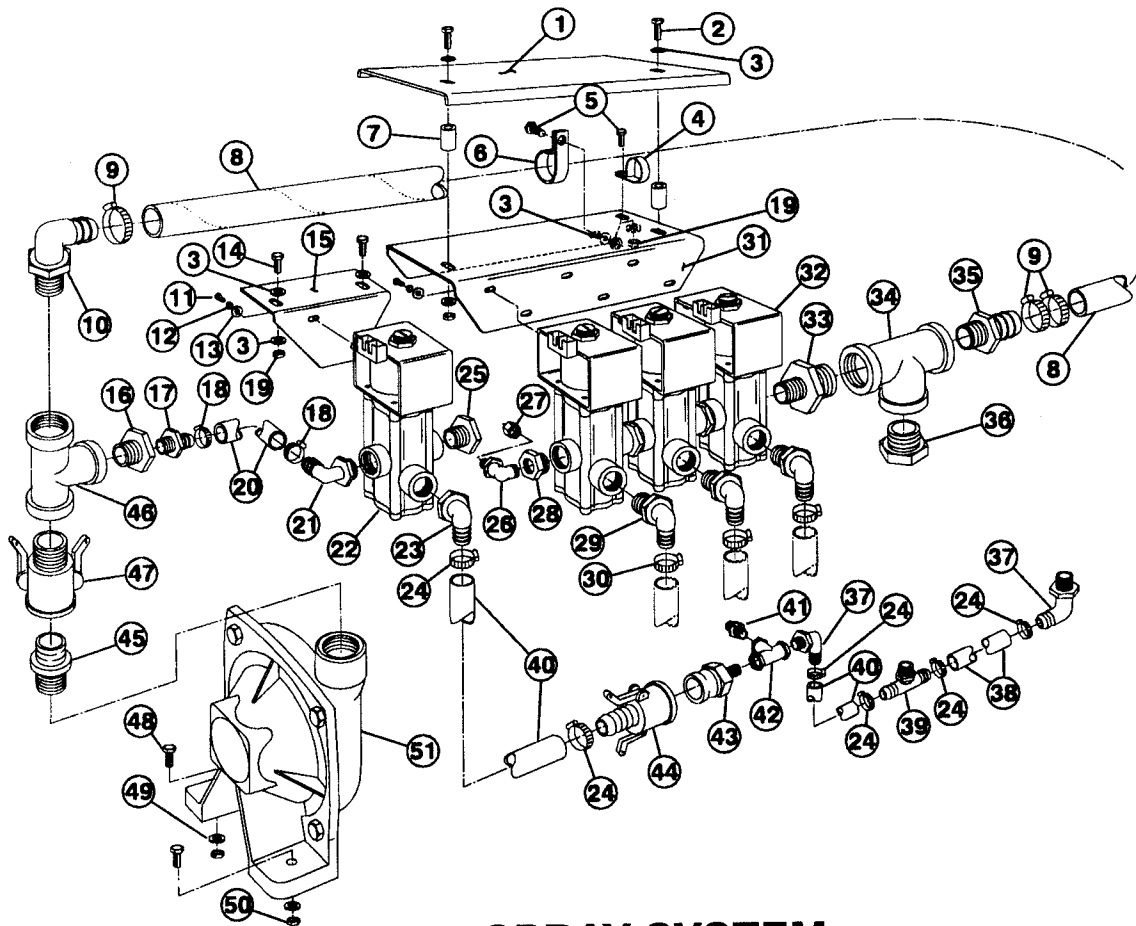
* Not illustrated



EYEWASH TANK

#	Part No.	Description	Qty	#	Part No.	Description	Qty
1	92-3976	Eyewash Tank	1	4	24-10-BD	Flat Washer	2
2	92-3969	Eyewash Tank Bracket	1	5	22-11-AJD	Lock Washer	2
*	93-0800	Decal - Wash Tank	1	6	23-10-GD	Lock Nut	2
3	42198	Rubber Hold Down	1	7	42983	Hold-In Brace Assembly	1
				8	20-26-AGD	Cap Screw	2

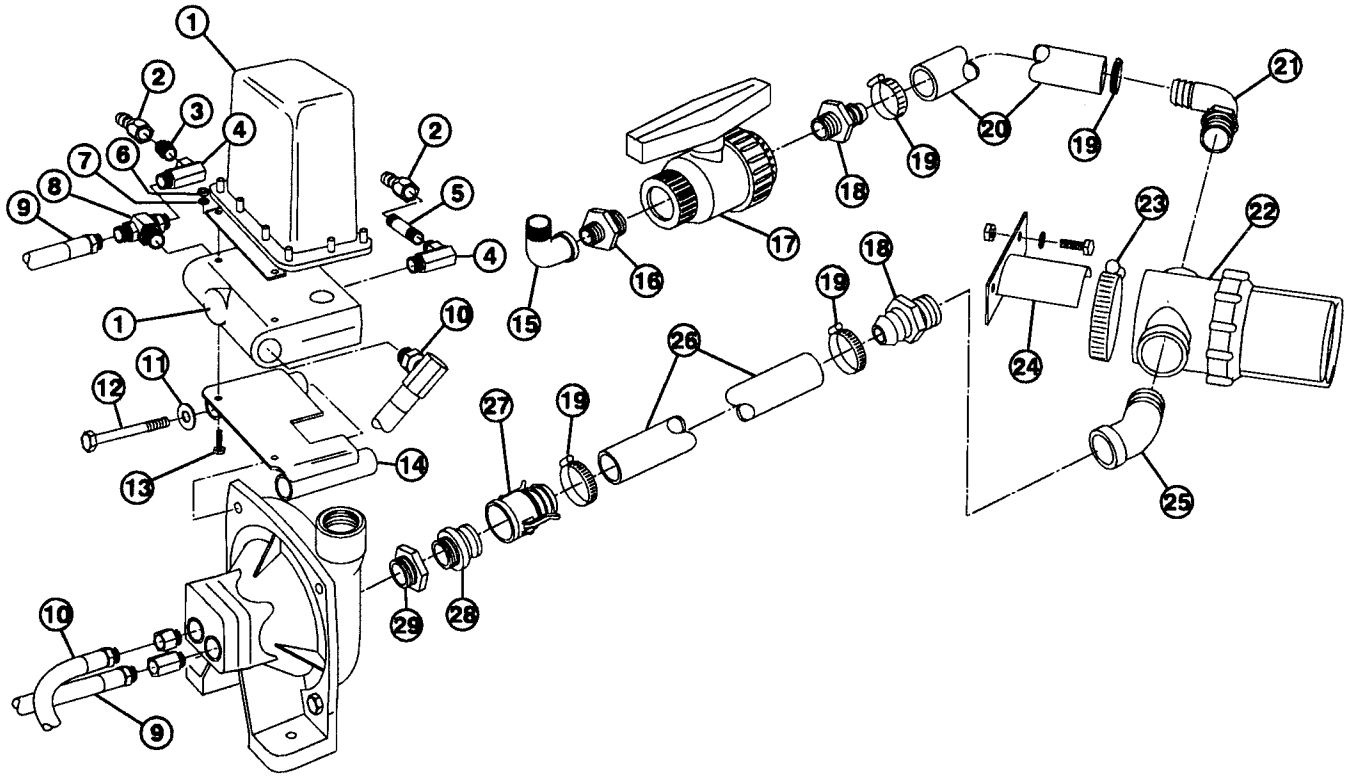
* Not illustrated



SPRAY SYSTEM

#	Part No.	Description	Qty	#	Part No.	Description	Qty
1	94-8553	Solenoid Cover	1	28	41310	Reducing Bushing, 3/4" x 1/4"	1
2	20-30-AGD	Cap Screw, 5/16" x 2"	2	29	92-8557	90° Elbow, 3/4" MPT x 3/4" HB	3
3	24-10-BD	Flat Washer	10	30	92-0045	Hose Clamp	3
4	41230	"R"-Clamp	1	31	94-7095	Solenoid Ass'y Mntg. Bracket	1
5	20-24-AGD	Cap Screw, 5/16" x 3/4"	2	32	92-0355	Triple Solenoid Assembly	1
6	92-8385	"R"-Clamp	1		92-0356	Single Solenoid Valve	AR
7	42258	Spacer	2		92-0357	Seal Kit	AR
8	94-7107	Supply Hose, 1-1/4" I.D. x 52"	1	33	41309	Reducing Nipple, 1" x 3/4"	1
9	41327	Hose Clamp	3	34	41305	Tee, 1"	1
10	93-0856	90° Elbow, 1-1/4" MPT x HB	2	35	41308	Hose Barb, 1" MPT x 1-1/4" HB	1
11	34-99-AMVD	Self-Tapping Screw	8	36	41315	Hex Plug, 1"	1
12	23-7-GD	Lock Washer	8	37	42046	90° Elbow, 1/2" MPT x 1/2" HB	2
13	24-7-GD	Flat Washer	8	38	94-7102	Agitator Hose - 44"	1
14	20-26-AGD	Cap Screw, 5/16" x 1"	2	*	94-8607	Hose Cover	1
15	94-7096	Single Solenoid Mounting Brkt.	1	39	94-7101	Tee, 1/2" MPT Brch x 1/2" HB	1
16	92-0052	Reducing Bushing, 1-1/4" x 1"	1	40	94-7121	Agitator Hose - 34"	2
17	92-0236	Hose Barb, 1" MPT x 3/4" HB	1	*	94-8607	Hose Cover	1
18	92-0045	Hose Clamp	2	41	41314	Close Nipple - 1/2"	1
19	22-12-AJD	Hex Nut, 5/16" plated	6	42	94-7100	Tee - 1/2"	1
20	94-7111	Solenoid Feed Hose	1	43	40486	Quick Adapter, male	1
21	94-7112	90° Elbow, 3/4" MPT x 3/4" HB	1	44	40487	Quick Coupler, female	1
22	92-0356	Solenoid Valve	1	45	93-0888	Quick Adapter, male	2
*	92-0357	Seal Kit	AR	46	93-0886	Tee - 1-1/4"	1
23	42046	90° Elbow, 3/4" MPT x 1/2" HB	1	47	94-7098	Quick Coupler, female	1
24	96609	Hose Clamp	6	48	20-49-AGD	Cap Screw, 3/8" x 1-1/2"	2
25	93-6439	Hex Plug, 3/4"	1	49	24-11-BD	Flat Washer	2
26	41311	90° Elbow, 1/4" MPT	1	50	22-13-AJFD	Locknut	2
27	42931	Adapter, Comp x 1/4" MPT	1	51	41776	Spray Pump w/ Motor	1
				*	94-8520	Seal Kit	AR

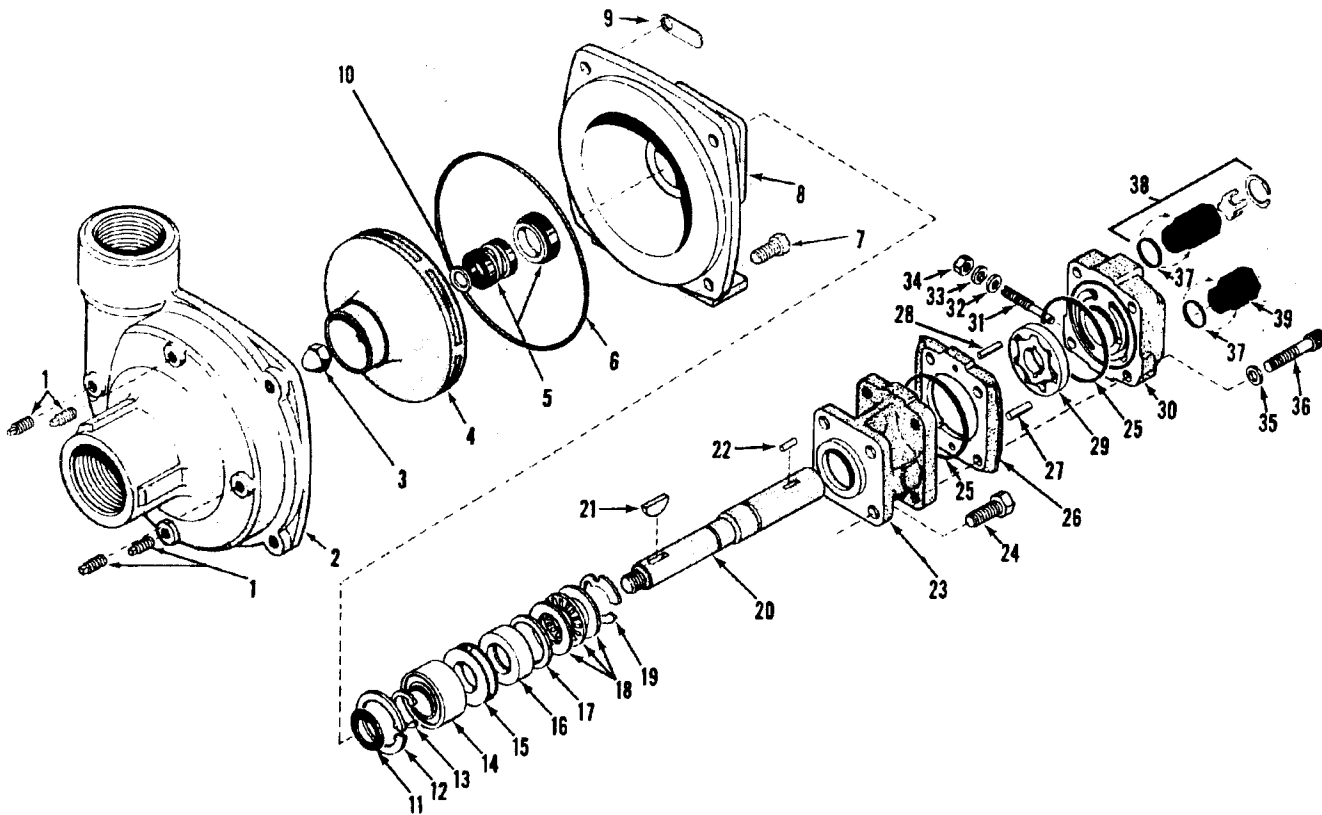
* Not illustrated



SPRAY SYSTEM

#	Part No.	Description	Qty	#	Part No.	Description	Qty
1	94-7124	Hydraulic Control Valve	1	19	21146	Hose Clamp	4
2	41790	Quick Coupler - Male	2	20	94-7097	Suction Hose - 27"	1
3	41839	Close Nipple	1	21	93-0856	90° Elbow, 1-1/4" MPT x HB	2
4	94-7156	Adapter 90°	2	22	42701	Suction Strainer	1
5	94-7157	Close Nipple 1/2 x 3"	1	*	93-0687	Bowl	1
6	22-11-AJD	Hex Nut	2	*	94-7065	Strainer Screen 20 mesh Std. (f/w 42701)	1
7	23-9-GD	Lock Washer	2	*	42702	Strainer Screen 40 mesh Opt'l.	AR
8	94-7122	Hydraulic Tee	1	*	42703	Strainer Gasket (f/w 42701)	AR
9	94-7117	Hydraulic Hose	1	23	92-0054	Hose Clamp	1
10	42947	Hydraulic Hose Assembly	1	24	92-0233	Strainer Bracket Assy	1
11	24-10-AD	Flat Washer	2	*	20-26-AGD	Cap Screw, 5/16 x 1	2
12	20-60-AGD	Cap Screw 3/8 x 4-1/2"	2	*	23-10-GD	Lock Washer	2
13	20-11-AD	HHCS	2	*	22-12-AJD	Hex Nut	2
14	94-7152	Mount Bracket Assy	1	25	93-0897	45° Street Elbow - 1-1/4"	1
15	93-0887	90° Street Elbow, 1-1/4"	1	26	94-8501	Suction Hose - 22"	1
16	92-0050	Close Nipple, 1-1/4" MPT	1	27	93-0854	Quick Coupler, female	1
17	93-0855	Ball Valve, 1-1/4"	1	28	93-0888	Quick Adapter, male	2
18	93-0851	HB, 1-1/4" MPT x 1-1/4" HB	2	29	42056	Red. Bushing, 1-1/2" x 1-1/4"	1

* Not illustrated



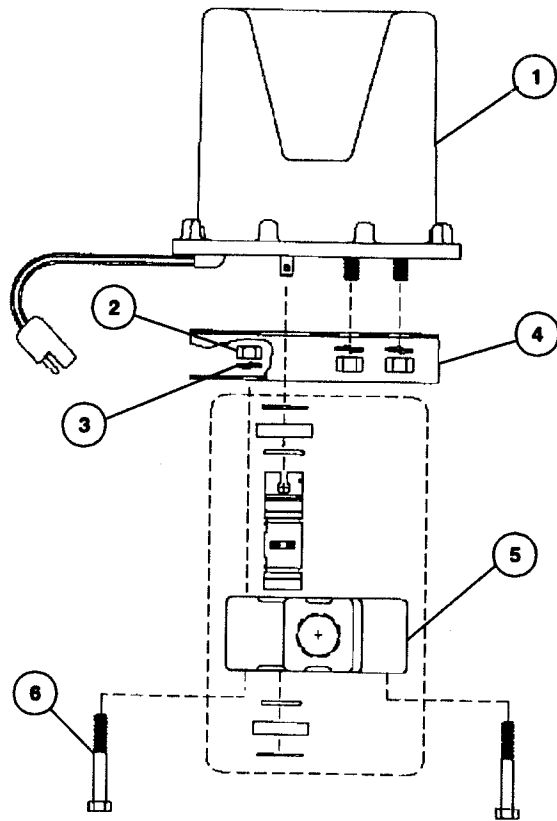
SPRAY PUMP (41776)

#	Part No.	Description	Qty
1	42084	Drain/Vent Plug	4
2	42085	Pump Casing	1
3	42086	Impeller Nut	1
4	42087	Impeller	1
5†	42088	Mechanical Seal (Viton)	1
6†	42089	O-ring	1
7	20-47-AGD	Hex Hd Cap Screw, 3/8" NC x 1"	4
8	42090	Mounting Flange	1
9	42091	Name Plate - Model 9303C-HMI	1
10	93-0931	Rubber Gasket	1
11	42092	Slinger Ring	1
12	42093	Retainer Ring	1
13	42094	Snap Ring	1
14	42095	Ball Bearing	1
15	42096	Spacer	1
16	42097	Shaft Seal	1
17	42098	Seal Spacer	1
18	42099	Thrust Bearing Assembly (Incl. one bearing and two races)	1
19	42100	Snap Ring	1
20	42101	Shaft	1
21	42102	Woodruff Key	1

#	Part No.	Description	Qty
22	42103	Roll Pin	1
23	42104	Motor Front Body (incl. one main bearing)	1
24	20-25-AD	Hex Hd. Cap Screw, 5/16" NC x 7/8"	4
25	42105	O-ring	2
26	42106	Gerotor Housing	1
27	42107	Dowel Pin	1
28	42108	Dowel Pin	1
29	42109	Gerotor	1
30	42110	Motor End Plate (Incl. one Main bearing)	1
31	42111	By-pass Adjusting Screw	1
32	42112	Gasket	1
33	42115	Washer	1
34	22-13-AJKD	Jam Nut	1
35	42116	Washer	4
36	42117	Socket Head Cap Screw	4
37	42118	O-ring	2
38	42113	Tank Check Valve Ass'y (Incl. one O-ring, one Tank Port Adapter, one Poppet and one Retaining Ring)	1
39	42114	Pressure Port Adapter	1

† Indicates parts included in Viton Seal Kit.

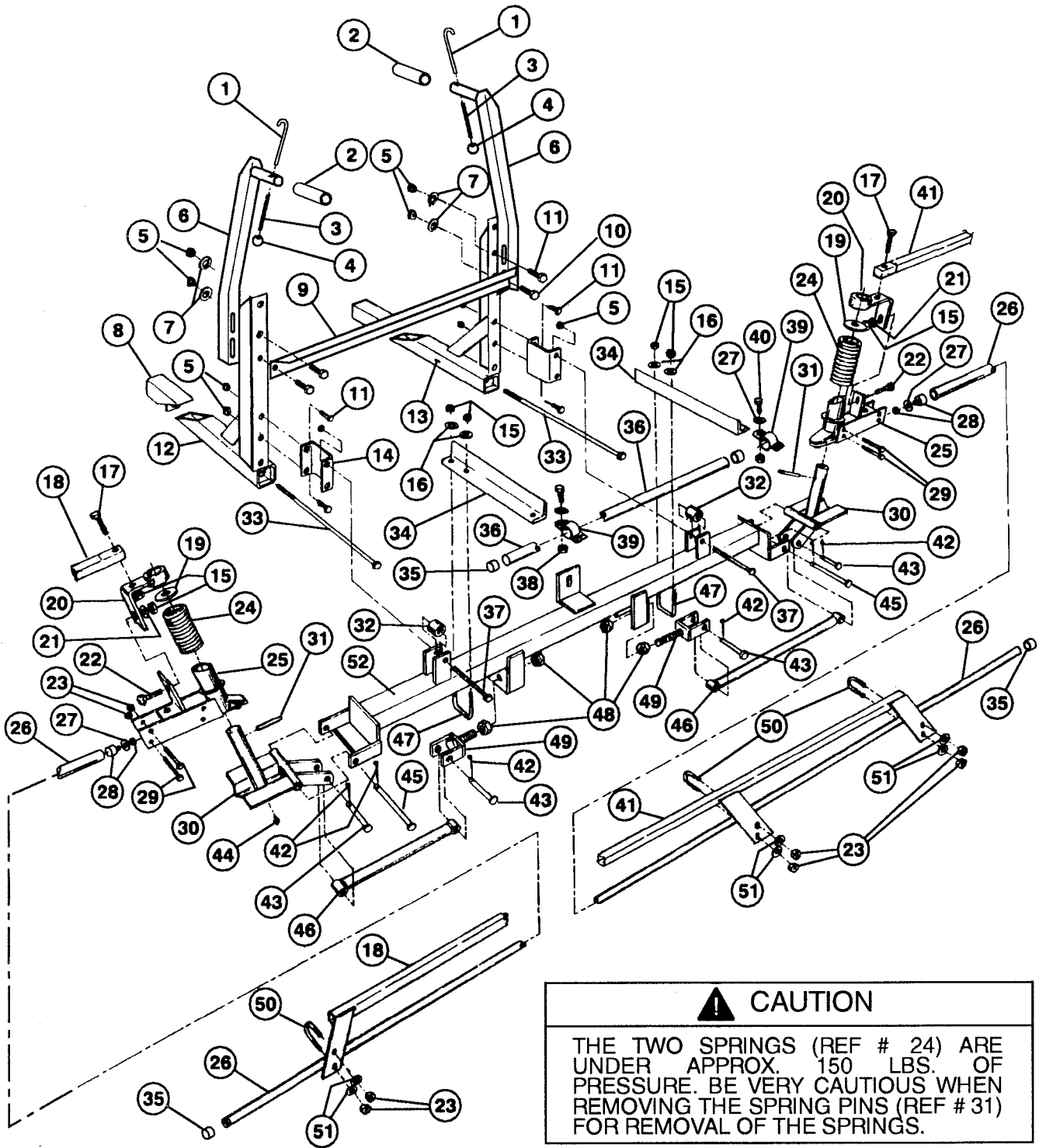
* Not illustrated



HYDRAULIC CONTROL VALVE 94-7124

#	Part No.	Description	Qty		#	Part No.	Description	Qty
1	94-8623	Motor Assembly	1					
	95-2115	Plastic Cover	1					
	95-2116	Base Plate Assembly	1					
2	22-11-AJD	Hex Nut	2					
3	23-9-GD	Lock Washer 1/4"	2					
4	94-8628	Valve Mounting Bracket	1					
5	94-8624	Valve Assembly	1					
6	20-11-AD	HHCS 1/4-20 x 2- 1/2	2					
*	94-8632	Polarity Jumper	1					

* Not illustrated



CAUTION

THE TWO SPRINGS (REF # 24) ARE UNDER APPROX. 150 LBS. OF PRESSURE. BE VERY CAUTIOUS WHEN REMOVING THE SPRING PINS (REF # 31) FOR REMOVAL OF THE SPRINGS.

IMPORTANT! THE TWO BOLTS (REF # 33) MUST BE TORQUED TO 50 FT. LBS.

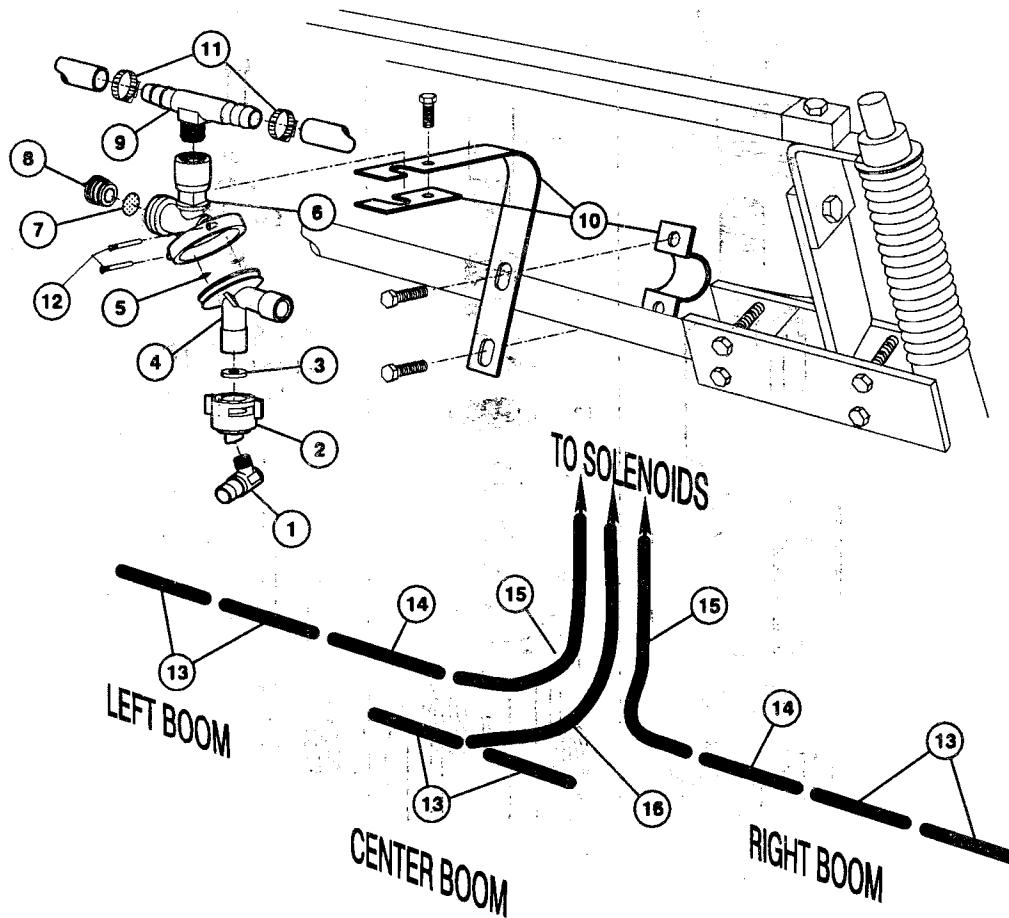
SPRAY BOOMS

#	Part No.	Description	Qty
1	92-8562	Hold-in Hook	2
2	92-8561	Hold-in Hose	2
3	92-8563	Hold-in Spring	2
4	92-8564	Hold-in Knob	2
5	22-15-AJFD	Hex Nut, 1/2" UNC	6
6	92-8534	Boom Hold-in Assembly	2
7	24-13-AD	Flat Washer 1/2"	4
8	42223	Tube Wedge Assembly	2
9	92-3672	Cross Angle	1
10	20-87-AGD	HHCS, 1/2 x 1-1/2 UNC	2
11	20-86-AGD	HHCS, 1/2 x 1-1/4 UNC	6
12	42217	Boom Mount Assy L.H.	1
13	42222	Boom Mount Assy R.H.	1
14	92-8533	Boom Mounting Brkt.	2
15	22-12-AJD	Hex Nut, 5/16 UNC	14
16	24-10-AD	Flat Washer, 5/16	6
17	20-28-AGD	HHCS, 5/16 x 1-1/2 UNC	2
18	42711	Boom Support Assy L.H.	1
19†	24-18-BD	Flat Washer 1"	2
20	42707	Support Bracket Assy	2
21	24-10-BD	Flat Washer, 5/16"	6
22	25-25-AGD	Carriage Bolt 5/16 x 3/4 UNC	2
23	32146-17	Lock Nut 1/4 UNC	10
24†	42196	Compression Spring	2
25†	42706	Breakaway Pivot Assy	2
26	42282	Extension Boom Pipe Ass'y	2

#	Part No.	Description	Qty
27	24-11-AD	Flat Washer 3/8	4
28	92-3749	Freeze Plug	2
29	20-8-AGD	HHCS 1/4 x 1-3/4 UNC	8
30†	42243	Hinge Assy	2
31†	29-199-C	Spring Pin 1/4 x 2	2
32	42257	Spacer Tube 1"	2
33	42199	HHCS 1/2 x 18 UNC	2
34	42234	Center Boom Angle	2
35	92-8420	Boom Cap	4
36	40493	Center Boom Pipe	1
37	20-91-AGD	HHCS 1/2 x 2-1/2 UNC	2
38	22-13-AJFD	Lock Nut 3/8 UNC	2
39	40494	Clamp Assy	2
40	20-47-AGD	HHCS 3/8 x 1 UNC	2
41	42710	Boom Support Assy R.H.	1
42	28-18-D	Cotter Pin 1/8 x 1	6
43	42195	Clevis 1/2 x 4-1/2	2
44†	361011	Grease Fitting	2
45	42194	Clevis 1/2 x 4-1/2	2
46	42240	Strut Assy	2
47	301950	U-Bolt 5/16 UNC	2
48	22-17-AJD	Hex Nut 5/8	4
49	42237	Adjustable Clevis Assy	2
50	92-0010	U-Bolt	4
51	24-9-AD	Flat Washer 1/4	8
52	42227	Main Frame Tube	1

† - Denotes parts available in an assembled unit. Order #42840 Breakaway Assembly

* Not illustrated

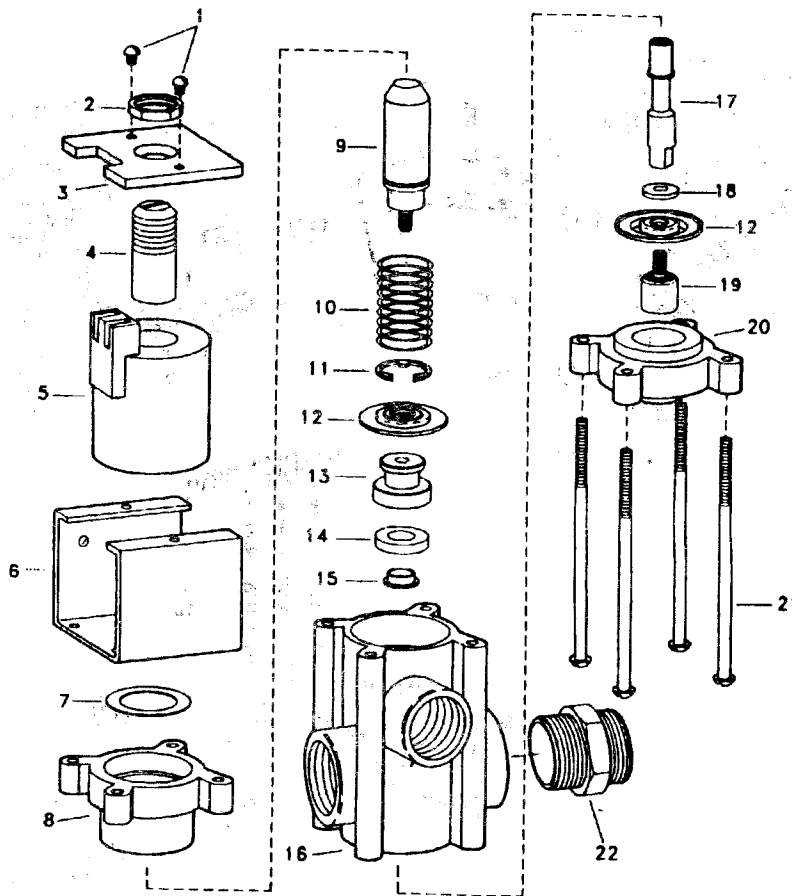


NOZZLE BODIES/BOOM HOSES

#	Part No.	Description	Qty
A	95-2216	Turret Nozzle Body Ass'y-Double Ref. # 4-9	6
*	95-2214	Turret Nozzle Body Ass'y-Single	4
*	95-2217	Turret Nozzle Body Ass'y-Triple	1
1	40444	Spray Nozzle, RA-10 Tan	11
*	93-6428	Spray Nozzle, RA-2 Yellow	
*	92-3977	Spray Nozzle, RA-4 Red	
*	43082	Spray Nozzle, RA-5 Brown	
*	41088	Spray Nozzle, RA-6 Gray	
*	42828	Spray Nozzle, RA-8 White	
*	92-0027	Spray Nozzle, RA-15 Lt. Blue	
*	93-0903	Spray Nozzle, RA-25 Black	

#	Part No.	Description	Qty
2	95-2228	Nozzle Cap, 45° 14 NPT	11
3	95-2227	Nozzle Cap Gasket	11
4	95-2225	Turret Nozzle	A/R
5	95-2226	O-Ring	A/R
6	95-2224	Turret Body	A/R
7	95-2223	Pressure Diaphragm	A/R
8	95-2222	Diaphragm Check Cap	A/R
9	95-2220	Nozzle Body Double Barb	A/R
*	95-2219	Nozzle Body Single Barb	A/R
*	95-2221	Nozzle Body Triple Barb	A/R
10	95-2218	Nozzle Body Bracket Ass'y	11
11	6350	Hose Clamp	19
12	95-2415	Screw, Turret Body	22
13	40506	Jumper Hose, 3/4" x 19"	9
14	95-2229	Jumper Hose, 3/4" x 21"	2
15	41340	Boom Hose, R & L, 3/4" x 50"	2
16	42274	Boom Hose, Center, 3/4" x 36"	1

* Not illustrated



SOLENOID VALVE (92-0356)

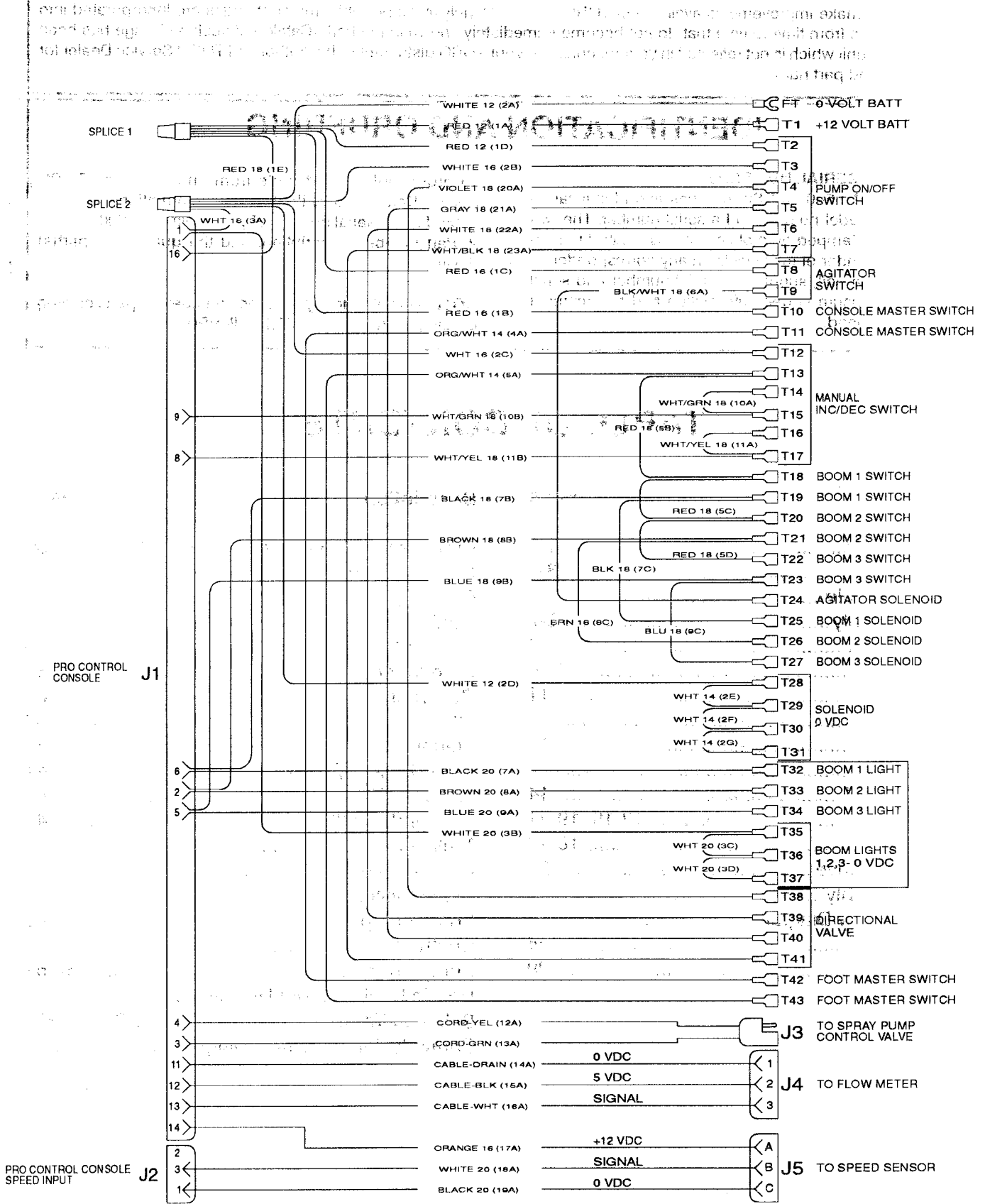
#	Part No.	Description	Qty
1	42126	Screw - Stainless Steel	2
2	92-0358	Jam Nut	1
3	92-0359	Coil Cover	1
4	92-0360	Armature Stop	1
5	92-0361	Coil Assembly	1
6	92-0362	Strap	1
7	92-0363	Washer - Stainless Steel	1
8	92-0364	Upper Diaphragm Housing	1
9	92-0365	Armature	1
10	†	Spring	1
11	92-0366	Retaining Ring	1

#	Part No.	Description	Qty
12	†	Diaphragm - Viton (Opt'l)	2
13	92-3681	Seal Washer Retainer	1
14	†	Seal Washer - Viton (Opt'l)	1
15	42136	Spacer	1
16	42137	Body - Polypropylene	1
17	92-3682	Stem	1
18	42134	Washer	1
19	92-0367	Lower Diaphragm Piston	1
20	92-0368	Lower Diaphragm Housing	1
21	42143	Screw	4
22	42884	Connecting Nipple	AR

† Indicates parts included in Viton Seal Kit.
Order Part No. 92-0357

* Not illustrated

SPRAY SYSTEM ELECTRICAL DIAGRAM



PRODUCT CHANGES

In an effort to make improvements available to TORO owners as quickly as possible, minor changes are incorporated into Toro's Products from time to time that do not become immediately shown in the Parts Catalog. If such a change has been made in your unit which is not reflected in your manual, see your TORO distributor or his Authorized TORO Service Dealer for information and part numbers.

IDENTIFICATION AND ORDERING

MODEL AND SERIAL NUMBERS

The Multi Pro® 5500 Turf Sprayer has two identification numbers; a model number and a serial number. The two numbers are stamped on a plate which is located behind the left front fender of the vehicle. In any correspondence concerning the unit, supply the model number and serial numbers to ensure correct information and replacement parts are obtained.

To order replacement parts from an Authorized TORO Service Dealer, supply the following information:

1. Model and serial number of your Multi Pro 5500.
2. Part number, description, and the quantity of part(s) desired.

NOTE: Do not order by reference number if a parts catalog is being used; Use the PART NUMBER.

TABLE OF CONTENTS

Description	Page	Description	Page
Safety Decals	1-2	Cylinder Head / Valve Assembly	30
Shrouds	3-4	Crankshaft and Camshaft	31-33
Control Console	5	Oil Pump	34
Dash Assembly	6-7	Manifold Assembly	35
Front Axle	8	Ignition / Fuel Pump Assembly	36
Drive Linkage	9-10	Carburetor	37
Oil Cooler	11	Governor	38
Air Cleaner	11	Alternator	39
Exhaust	12	Starter	40
Battery	14	Main Harness / Flywheel	41
Hydraulic Tank	14	Electrical Diagram	42
Hydraulics	13-15, 19-21	Tank and Saddle	43
Steering Gear	16-18	Tank Lid	44
Rear Wheel Drive	22-25	Eyewash Tank	45
Brake Assembly	26	Spray System	46-47
Hydraulic Flow Diagram	27	Spray Pump	48
Radiator	28	Control Valve	49
Water Pump	29	Spray Booms	50-51
		Nozzle Bodies/Boom Hoses	52
		Solenoid Valve	53
		Spray System Electrical Diagram	54



Helping you put quality into play.®