



MODEL NO. 41574

**SET-UP AND
PARTS LIST**
FOAM MARKER KIT

for use on the MULTI PRO® 5500 Turf Sprayer

Refer to the illustrated Parts List for the details of parts used in assembling the FOAM MARKER 5500 KIT.

NOTE: "RIGHT" and "LEFT", "FRONT" and "REAR" reference the operator's directions when seated in the normal operating position.

1. Remove four (4) 1/4" x 1" cap screws and flatwashers holding Cover to the Tank/Compressor Assembly. Remove Cover. Set cover and fasteners aside for future reinstallation.

2. Mount Tank/Compressor Assembly to right vehicle step frame using two (2) 3/8" x 1" hex hd. cap screw and flatwashers. Fasteners must be installed from the backside of the step frame. (Fig. 1)

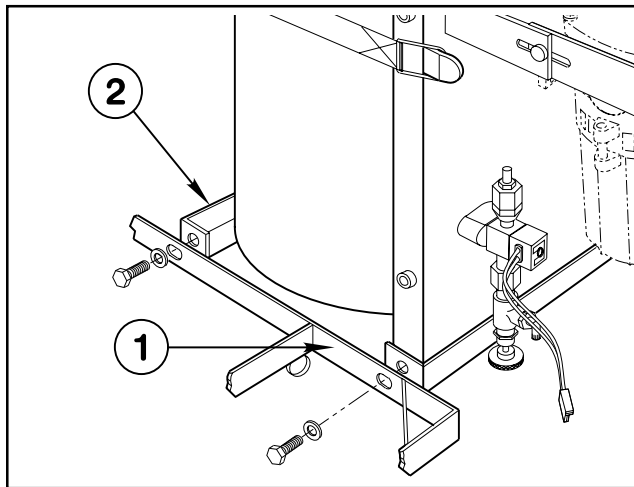


Fig. 1

1. Right Step Frame 2. Tank Ass'y Frame

3. Mount Mixer Assembly to angle on Center Boom Assembly with a 3/8" x 1" hex hd. cap screw, flatwasher, and locknut. Tighten securely. (Fig. 2)

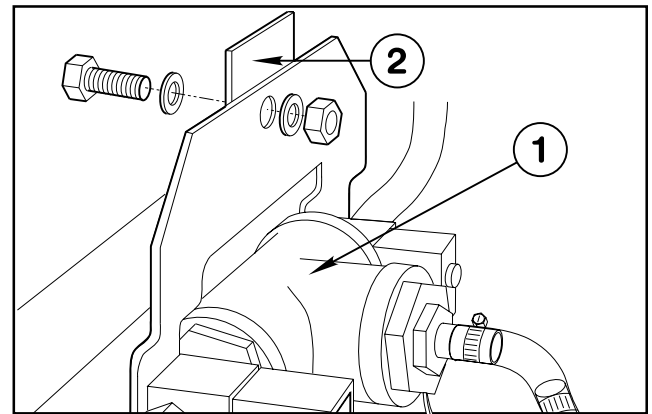


Fig. 2

1. Mixer Tee Ass'y 2. Center Boom Angle

4. Release the latch and remove the Switch Panel Assembly from the Center Console Assembly. (Fig. 3)

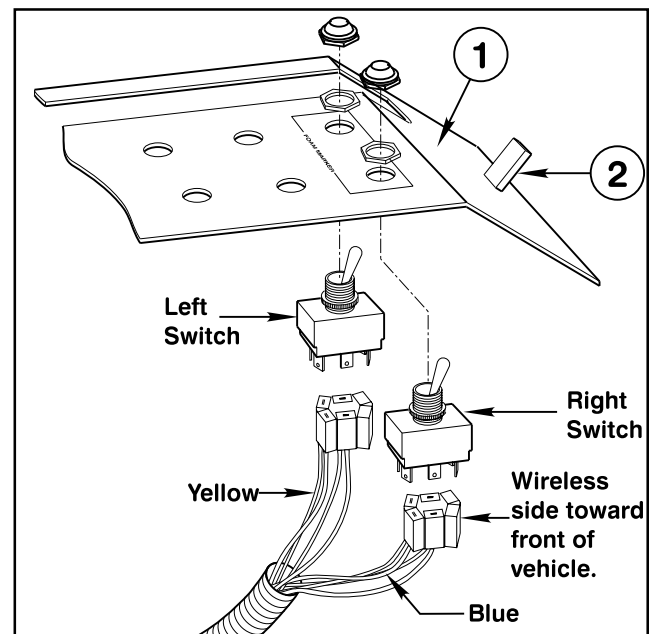


Fig. 3

1. Switch Panel Ass'y 2. Panel Release Latch

5. Remove Foam Marker Switch hole plugs. Install Foam Marker Boom Switches into Switch Panel Assembly. Install the protective rubber boots over the switches. NOTE: When installing switches, index switches as shown in Fig. 3.

6. Locate Wiring Harness and make the connections to the Compressor and Solenoid located at the Foam Tank/Compressor Assembly. NOTE: BOTH PLUG CONNECTIONS ARE THE SAME. (Fig. 4)

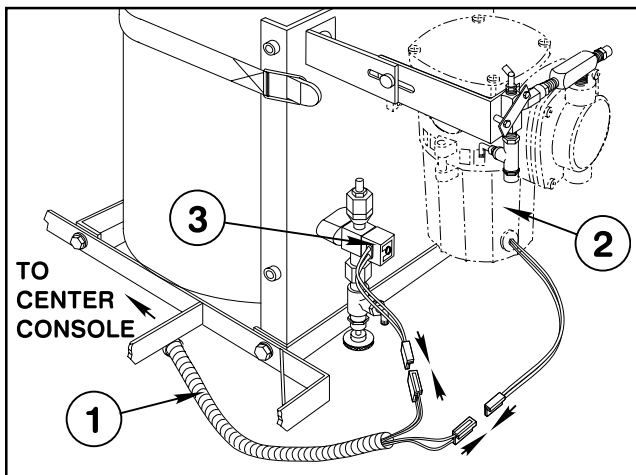


Fig. 4

- 1. Wiring Harness
- 2. Compressor
- 3. Solenoid

7. Route front half of wiring harness forward along the right side of the main frame, following the main wiring harness through the cable rings to the Center Console.

8. Plug the harness connectors to the Foam Marker Switches as shown in Fig. 3. Connector with blue wire plugs onto right boom switch, and connector with yellow wire plugs onto left boom switch.

9. Route the power and Ground Wires to the fuse block and Ground Terminal Block, but **DO NOT MAKE THESE ELECTRICAL CONNECTIONS AT THIS TIME!**

10. Reinstall Switch Panel Assembly to Center Console and secure latch.

11. Route rear section of harness rearward along the right side of the main frame to the Mixer Assembly, following the main vehicle wiring harness through the cable rings.

12. Plug the harness connectors into the Boom Solenoid Assemblies. Plug connector with blue wire to the right solenoid and connector with yellow wire to the left solenoid. (Fig. 5)

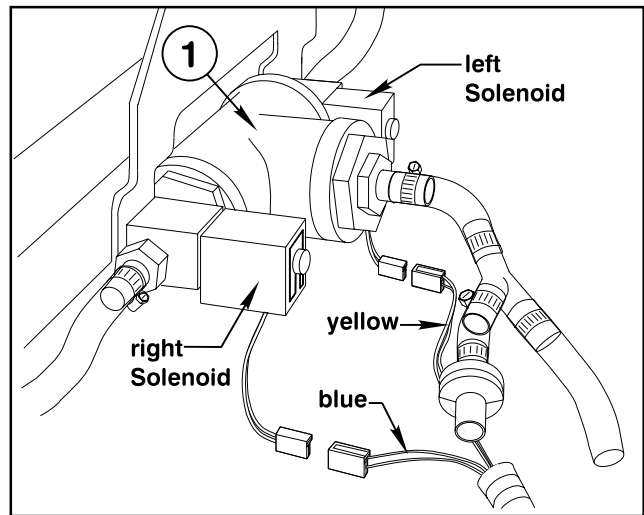


Fig. 5

- 1. Mixer Tee Assy

Note: If installing Foam Marker Kit on a previously set-up Sprayer, steps 13 thru 18 may require some disassembling of the Boom Assembly. See Sprayer set-up section of the MULTI PRO® 5500 Turf Sprayer Operator's Manual.

13. Locate, mark, and drill, (DRILLING THROUGH THE TOP SURFACE ONLY,) one 5/8" dia. hole at 1-1/2" from the plugged end of the right Boom Pipe. Repeat on left Boom Pipe. These holes are used for the installation of the Boom Hoses. (Fig. 6)

14. Using a round file or deburring tool, deburr holes previously drilled into Boom Pipes. (Fig.6)

15. Insert a drift punch into the 5/8" holes in Boom Pipes and distort opening as shown in Fig. 6. This will allow for easier installation of the Boom Hoses.

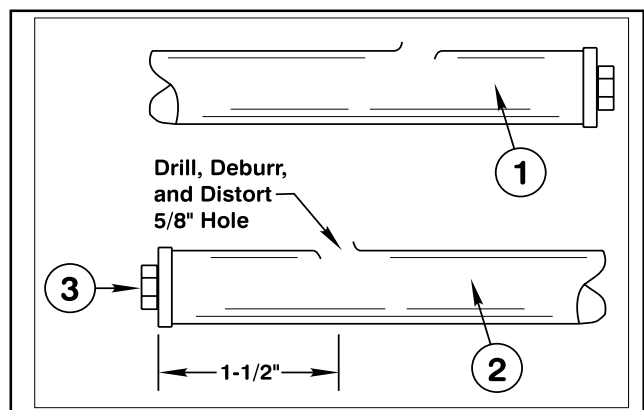


Fig. 6

- 1. Left Boom Pipe
- 2. Right Boom Pipe
- 3. Boom Plug

16. Insert Boom Hose into 5/8" hole drilled in Boom Pipe, and push it into Boom Pipe until 2-3 inches of Boom Hose is extending beyond the opposite end of the Boom Pipe. (Fig. 7)

17. Replace the solid Boom Caps with the Punched Hole Boom Caps that are provided in Foam Marker Kit. (Fig. 7)

18. Lubricate the inside of the Extension Hose and slide it over the Cap and Foam Marker Hose and onto the Boom Pipe. Secure with hose clamp. (Fig.7)

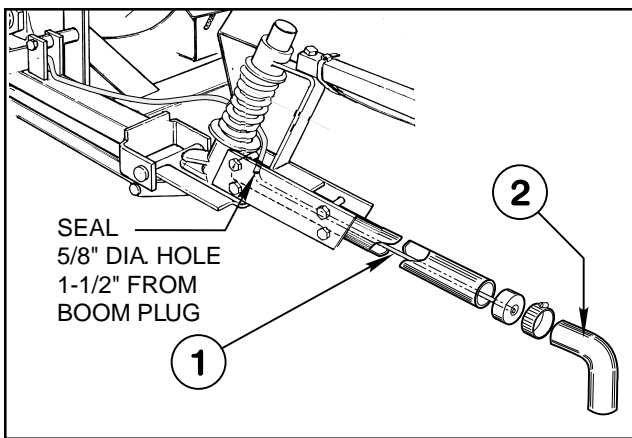


Fig. 7

1. Foam Marker Hose 2. Extension Hose

NOTE: Seal the 5/8" holes on each Boom pipe with RTV silicone after the hoses and Boom pipes are completely assembled.

IF SETTING UP FOAM MARKER KIT DURING INITIAL SET-UP OF THE MULTI PRO® 5500 TURF SPRAYER REFER TO THE SET-UP INSTRUCTIONS SUPPLIED WITH THE VEHICLE FOR THE FINAL ASSEMBLY INSTRUCTIONS OF THE BOOMS. BEFORE CONTINUING WITH STEP #19

19. Mark one 108" Supply Hose with a black marker at each end. Connect the marked Supply Hose to the hose barb at the compressor and the

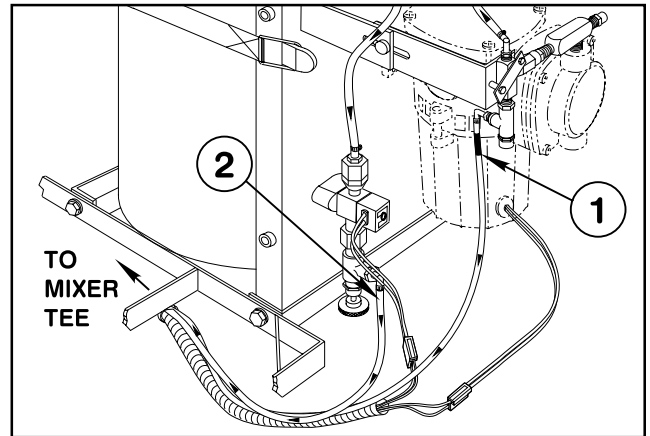


Fig. 8

1. Compressor Hose 2. Needle Valve Hose

other Supply Hose to the hose barb on the Needle Valve. Secure with hose clamps. (Fig. 8)

20. Route both Supply Hoses rearward along the right side of the vehicle frame to the Mixer Tee through the cable rings following the Foam Marker Wiring Harness.

21. Slide the marked Supply Hose onto the barb on the Check Valve located at the Tee Assembly. Connect the other Supply Hose to the barbed "Y" at the Tee Assembly. Secure with hose clamps. Verify that the marked Supply Hose is connected at the Compressor and the Check Valve. If not, correct before using. (Fig. 9)

22. Connect the right Boom Hose to the right side Solenoid Valve Assembly and the left Supply Hose to the left side Solenoid Assembly. Secure both hoses with hose clamps. (Fig. 9)

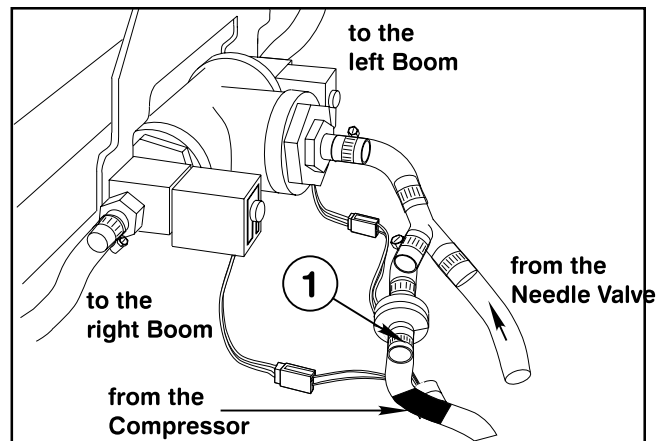


Fig. 9

1. Check Valve

23. Connect the ring terminal on the black wire of Wiring Harness to the Ground Terminal Block. (Fig. 10)

24. Connect the push-on terminal on the red wire of Wiring Harness to the male terminal on the red wire coming from the Fuse Block. Insert the 20 amp Fuse into the Fuse Block. (Fig. 10)

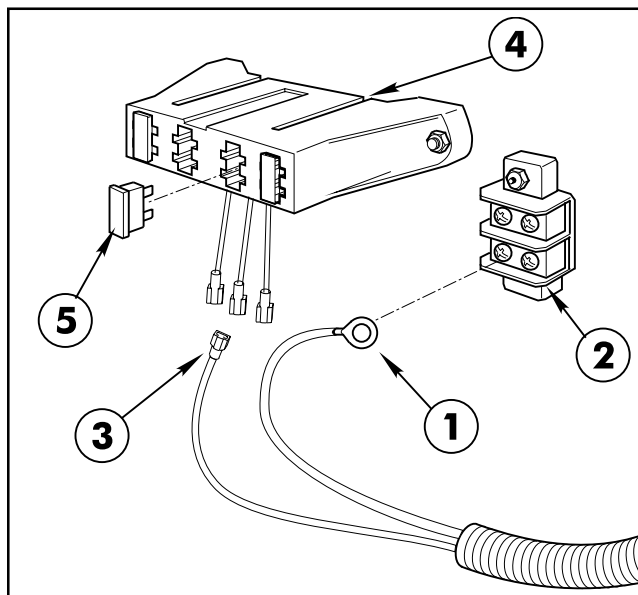


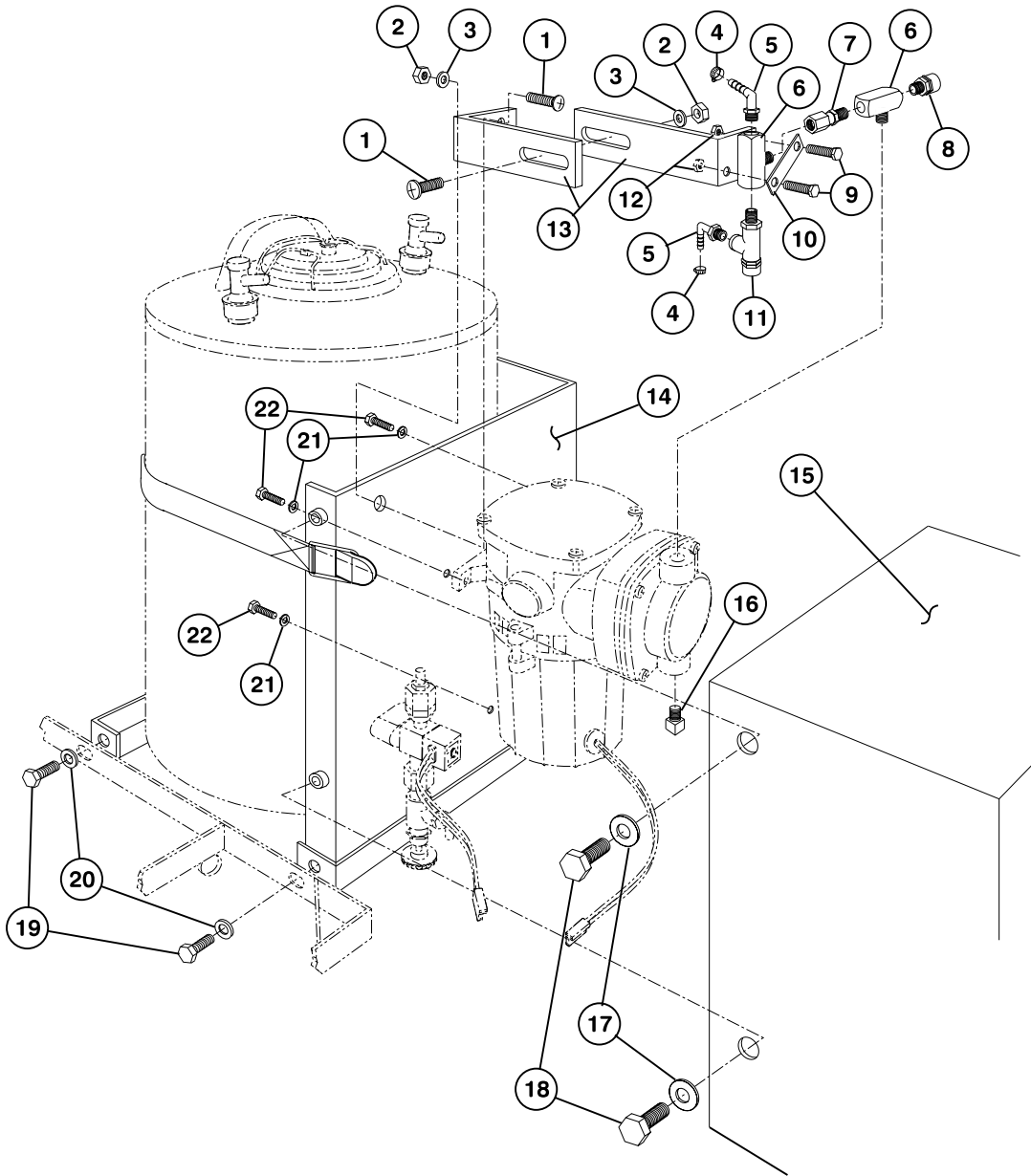
Fig. 10

- | | |
|--------------------------|----------------|
| 1. Black Terminal | 4. Fuse Block |
| 2. Ground Terminal Block | 5. 20 amp Fuse |
| 3. Red Terminal | |

25. Attach cover to the Tank/Compressor Assembly using the four (4) 1/4" x 1" hex hd. cap screws and flatwashers removed earlier.

26. Close the Foam Density Adjustment Valve completely.

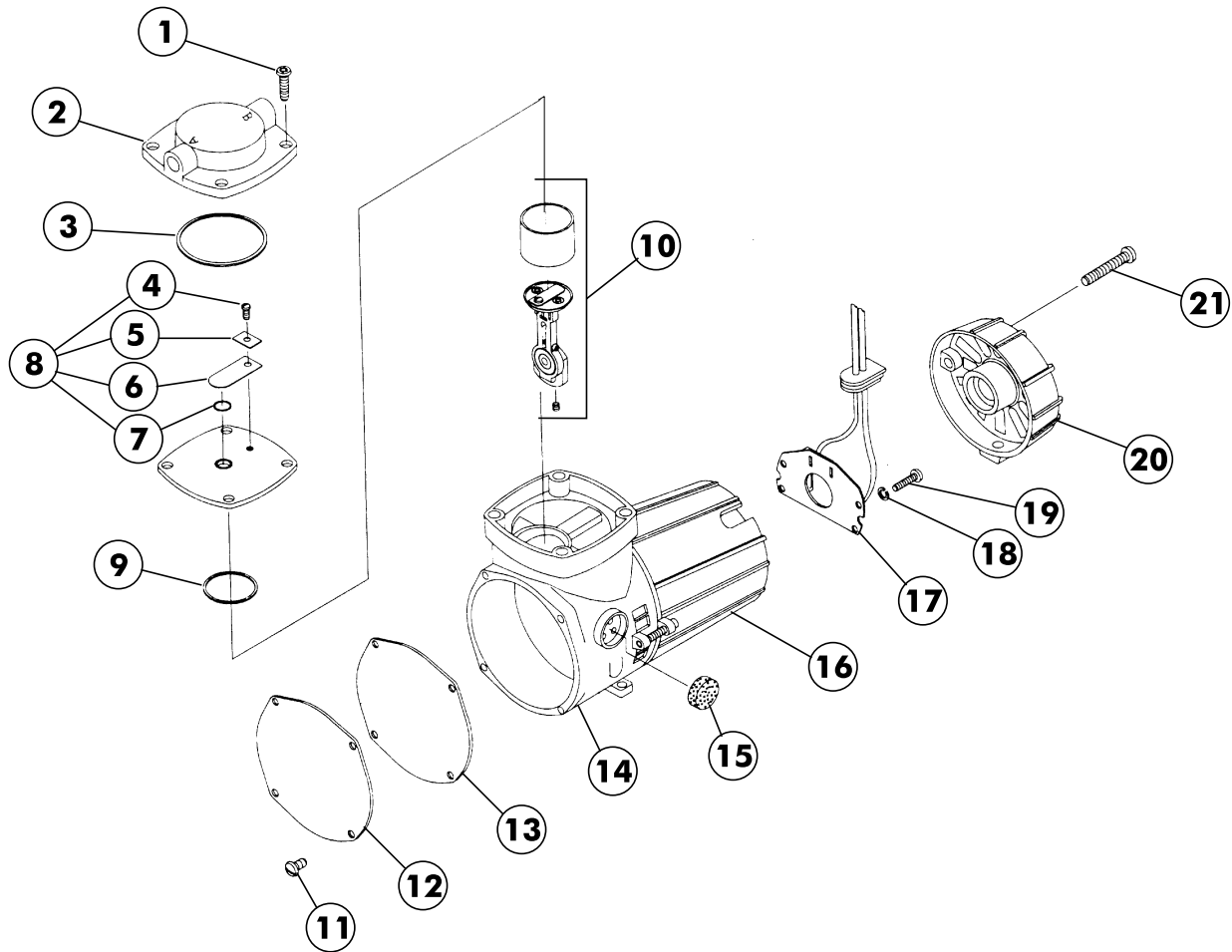
27. Refer to the Operator's Instructions for proper operating procedures.



FOAM MARKER

Ref	Part No.	Description	Qty
1	25-25-AGD	Carriage Bolt, 5/16"	2
2	22-12-AJF	Lock Nut, 5/16" NC	2
3	24-10-AD	Flat Washer, 5/16"	2
4	97406	Hose Clamp	2
5	94-7221	90° Hose Barb, 1/4" MPT x 1/4" HB	2
6	94-7219	Tee, 1/4" Male Branch (brass)	2
7	94-7199	Inline Check Valve	1
8	94-7197	Relief Valve	1
9	20-6-AGD	HHCS, 1/4" x 1-1/4"	2
10	94-7268	Support Strap	1
11	94-7198	Side Outlet Relief Valve	1

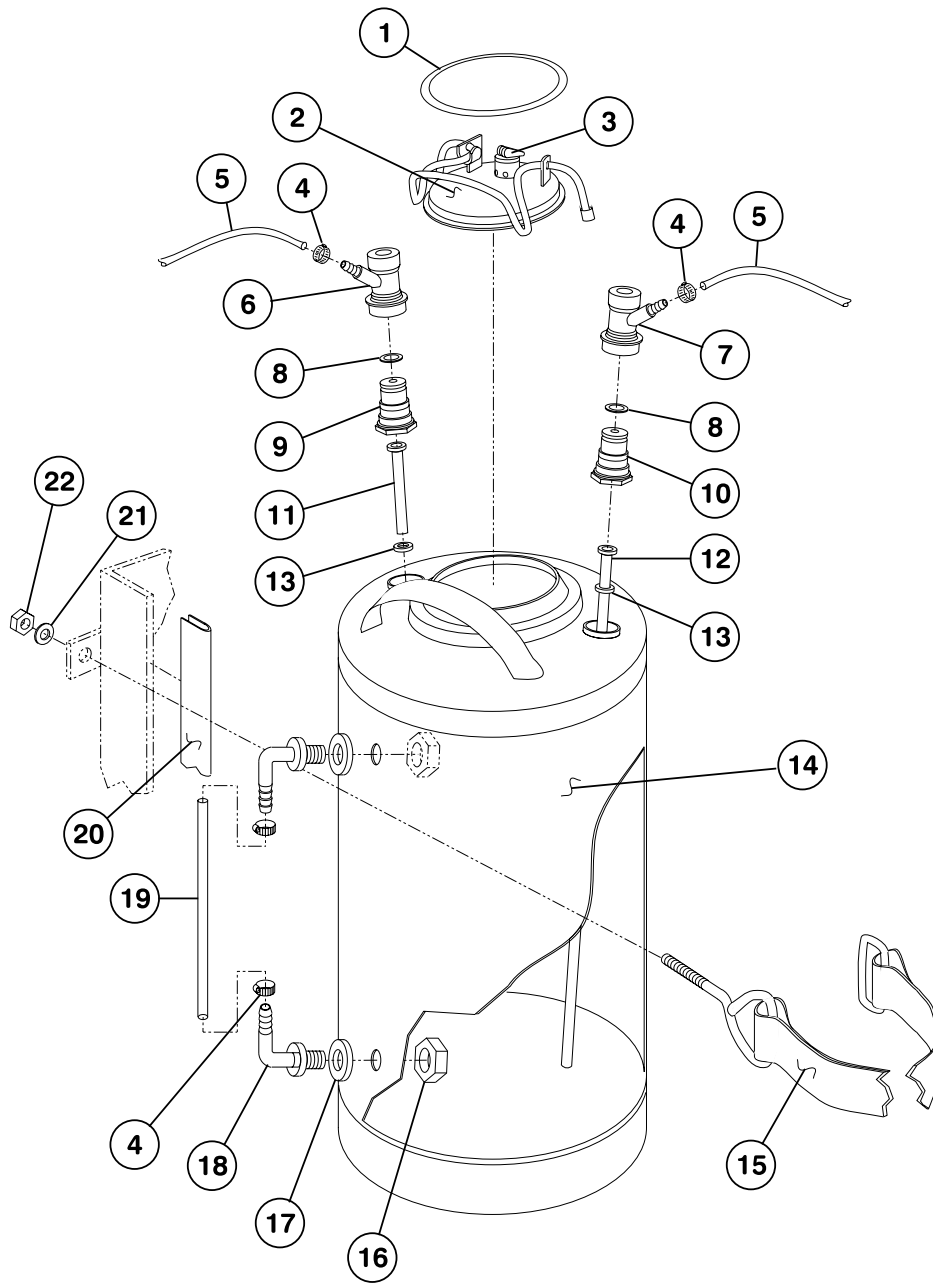
Ref	Part No.	Description	Qty
12	22-11-AJFD	Lock Nut, 1/4"	2
13	94-7267	Support Bracket	2
14	94-7260	Tank Bracket Welded Ass'y	1
15	94-7271	Cover, Complete	1
16	9901	Pipe Plug, 1/8"	1
17	24-9-AD	Flat Washer, 1/4"	4
18	20-5-AGD	HHCS, 1/4" x 1"	4
19	20-47-AGD	Cap Screw, 3/8" x 1"	2
20	24-11-AD	Flat Washer, 3/8" USS	2
21	23-7-GD	Lock Washer, #10	3
22	34-76-AMT	Self Tapping Screw, #8 x 1/2"	3



COMPRESSOR (#94-7200)

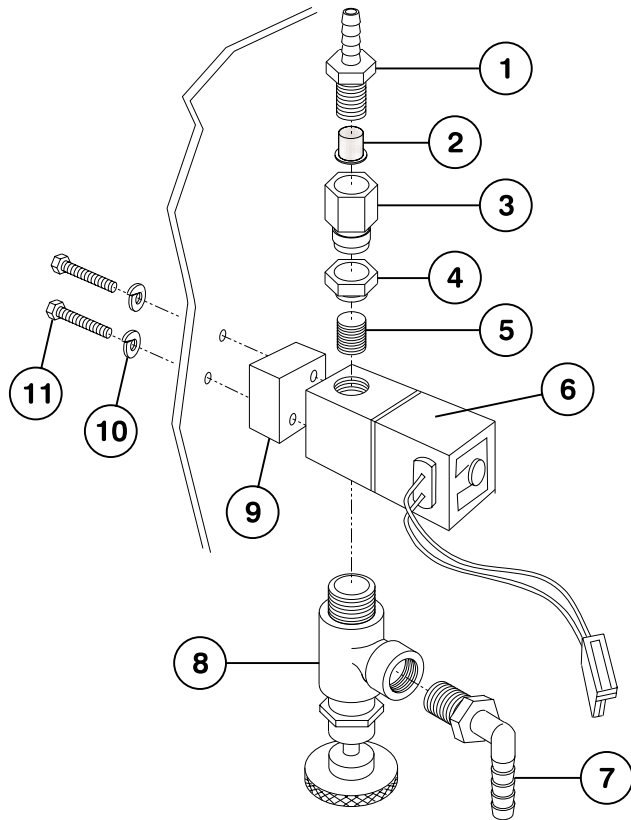
Ref	Part No.	Description	Qty
1	93-6216	Screw - Head	4
2	93-6217	Head	1
3	93-6215	O-Ring - Head	1
4	93-6223	Screw - Flapper	1
5	93-6220	Valve Keeper	1
6	93-6221	Valve Flapper	1
7	93-6222	O-Ring Flapper	1
8	93-6219	Valve Plate Assembly	1
9	93-6218	O-Ring - Valve Plate	1
10	93-6211	Conn. Rod, Hold Down Plate & Ecc. Assembly	1
	93-6233	Piston Sleeve	AR
	93-6239	Int. Valve Flapper (Bent)	AR
	93-6235	Screw - Flapper (Int.)	AR
	93-6232	Eccentric & Bearing Assembly	AR

Ref	Part No.	Description	Qty
	93-6236	Set Screw - Ecc.	AR
	93-6230	Connecting Rod Assembly	AR
	93-6237	Screw - Connecting Rod	AR
11	93-6225	Screw - Front Cover Ass'y	4
12	93-6224	Front Cover	1
13	93-6226	Front Cover Gasket	1
14	93-6228	Housing	1
15	93-6212	Air Filter Felt	1
16	93-6227	Motor Shell Housing & Magnet Ass'y	1
NS	93-6234	Screw - Mtr. Shell to Hsg.	2
NS	93-6231	Armature, Fan & Bearing Assembly	AR
17	93-6210	Brush Card Assembly	1
18	93-6209	Lockwasher - Brush Card	2
19	93-6208	Screw - Brush Card	2
20	93-6213	Motor End Cap Assembly	1
21	93-6214	Screw - Motor End Cap	2



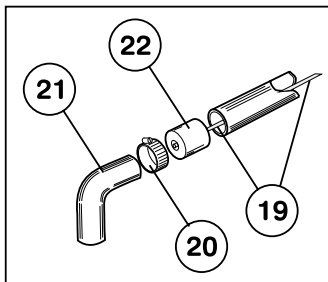
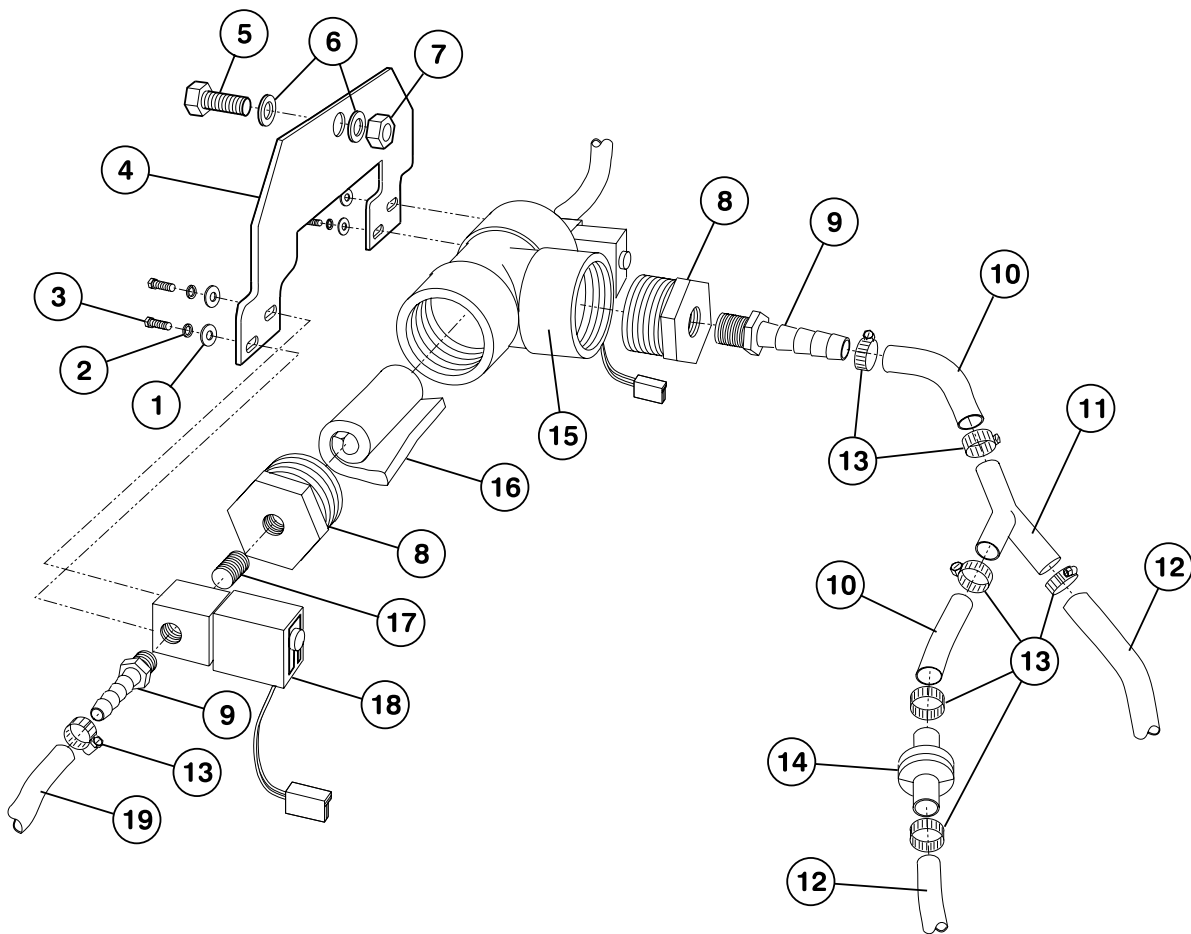
TANK ASS'Y (94-7252)

Ref	Part No.	Description	Qty	Ref	Part No.	Description	Qty
1	94-8544	Lid Gasket	1	12	94-8551	Metal Dip Tube, 14"	1
2	94-8545	Tank Lid	1	13	94-8552	Tube "O" Ring	2
3	94-8546	Relief Valve	1	14	94-7192	Tank, 3 Gal. (11.36 liter)	1
4	97406	Hose Clamp	4	15	762035	Strap	1
5	94-7258	Supply Hose	2	16	94-7255	Fitting Nut	2
6	94-7193	Quick Connector, Gas (gray)	1	17	94-7256	Hose Washer	2
7	94-7194	Quick Connector, Liquid (black)	1	18	94-7254	90° Hose Barb, 1/4" MPT	2
8	94-8547	Plug "O" Ring	2	19	94-7257	Sight Hose	1
9	94-8548	Inlet Plug, 1-5/32"	1	20	94-7259	Trim Strip	2
10	94-8549	Outlet Plug, 1-5/32"	1	21	24-9-AD	Flat Washer, 1/4"	1
11	94-8550	Metal Inlet Tube, 1-3/16"	1	22	22-11-AJFD	Lock Nut, 1/4"	1



NEEDLE VALVE ASS'Y (94-7270)

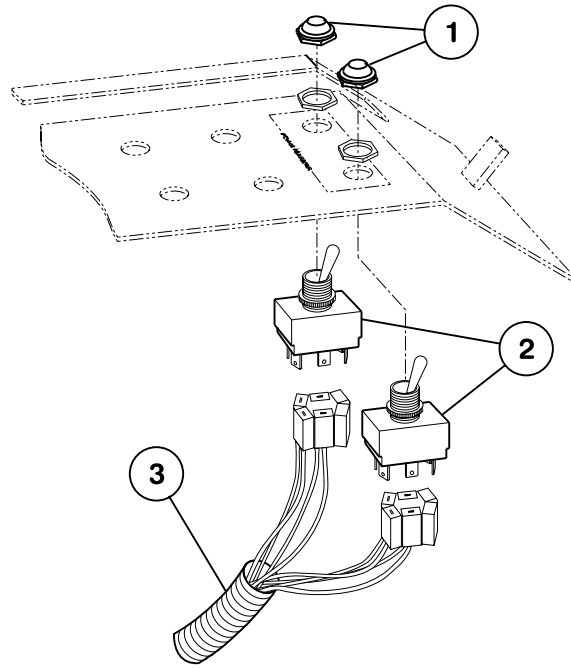
Ref	Part No.	Description	Qty
1	94-7220	Hose Barb, 1/8" MPT x 1/4" HB	1
2	94-7228	Strainer	1
3	94-7229	Nozzle Body	1
4	94-7230	Nozzle Adapter	1
5	94-7224	Nipple, 1/8" close brass	1
6	94-7191	Solenoid Valve Ass'y	1
7	94-7222	90° Hose Barb, 1/8" MPT x 1/4" HB	1
8	94-7226	Needle Valve	1
9	94-7269	Valve Spacer	1
10	23-7-GD	Lock Washer, 3/16"	2
11	21-82-AMD	Machine Screw, washer hd. #8 x 7/8"	2



MIXER TEE & BOOM ENDS

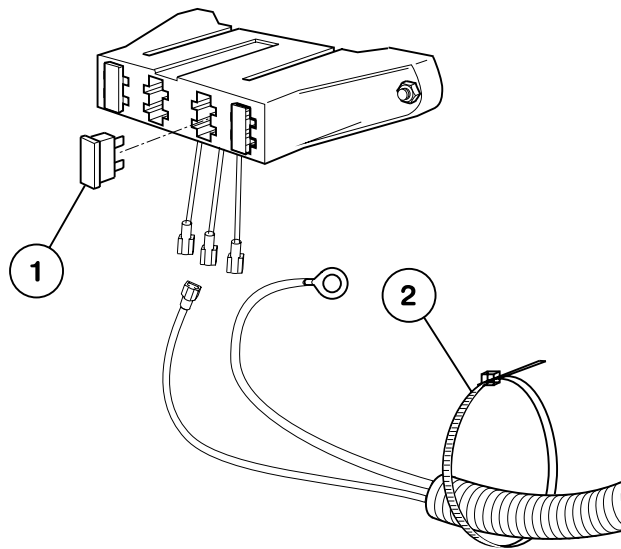
Ref	Part No.	Description	Qty
1	24-7-BD	Flat Washer, #10	4
2	23-7-GD	Lock Washer, #10	4
3	34-76-AMT	Self-Tapping Screw, #8 x 1/2"	4
4	94-7251	Mixer Tee Mounting Bracket	1
5	20-47-AGD	Cap Screw, 3/8" x 1	1
6	24-11-AD	Flat Washer, 3/8" USS	2
7	22-13-AJFD	Lock Nut, 3/8"	1
8	94-7225	Modified Hex Plug, 1"	3
9	94-7220	Hose Barb, 1/8" x 1/4" HB	3
10	94-7250	Connecting Hose, 2"	2
11	94-7223	Wye Barb, 1/4"	1

Ref	Part No.	Description	Qty
12	94-7247	Supply Hose, 108"	2
13	97406	Hose Clamp	8
14	94-7196	Mini Check Valve, 1/4"	1
15	41305	Tee, 1"	1
16	94-7227	Foam Filter	1
17	94-7224	Nipple, 1/8" close brass	2
18	94-7191	Solenoid Valve Ass'y	2
19	94-7248	Boom Hose, 120"	2
20	21146	Hose Clamp	2
21	93-0611	Extension Hose	2
22	94-7195	Boom Cap With Hole	2



SWITCH ASSEMBLY

Ref	Part No.	Description	Qty
1	92-8531	Boot, Switch	2
2	94-7243	Toggle Switch	2
3	94-7217	Wire Harness	1



FUSE BLOCK

Ref	Part No.	Description	Qty
1	42764	20 AMP Fuse	1
2	95672	Cable Tie, 11"	12

NOTES:



Helping you put quality into play.®