



MODEL NO. 41080-60001 & Up  
 MODEL NO. 41021-60001 & Up  
 MODEL NO. 41220-60001 & Up  
 MODEL NO. 41223-60001 & Up  
 MODEL NO. 41222-60001 & Up

SET-UP AND  
 PARTS LIST

**MANUAL SPRAY SYSTEM**  
 FOR THE WORKMAN® 3000 VEHICLE

1. Install the TORO APU Electric Clutch Kit as per the instructions provided with that kit.

2. Install the square key into the centrifugal pump shaft key slot. Place the pump pulley on the pump shaft and secure to the shaft using the 5/16" x 3/4" hex hd. cap screw, 5/16 I.D. 10 GA. flat washer, and lockwasher (FIG. 1).

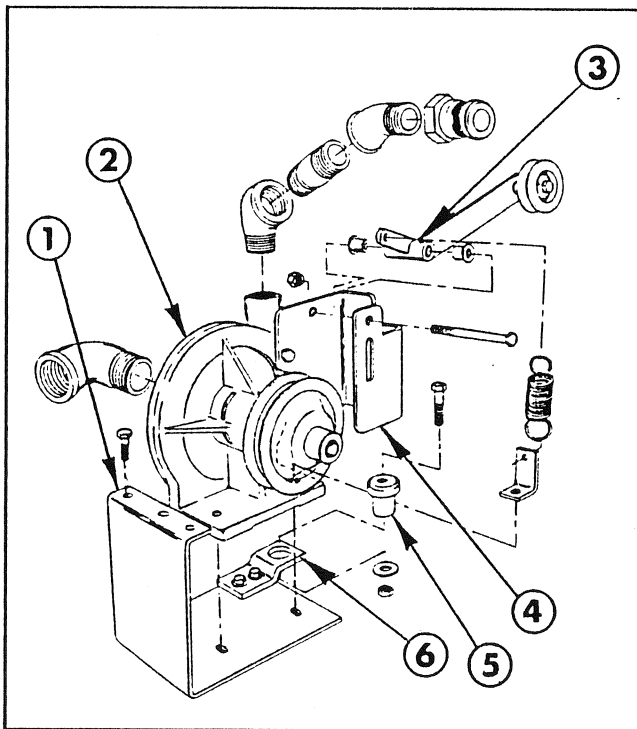


FIG. 1

- |                        |                      |
|------------------------|----------------------|
| 1. Pump Mounting Brkt. | 4. Idler Pivot Brkt. |
| 2. Centrifugal Pump    | 5. Rubber Mount      |
| 3. Idler Pivot         | 6. Tab Mount         |

3. Attach the idler pivot bracket to the pump by removing the two pump housing bolts and replace with (2) 3/8" x 1" hex hd cap screws. See FIG. 1.

4. Install one flange bushing into each end of the idler pivot assembly mounting hole and attach to the idler bracket using the 3/8" x 3" hex hd cap screw and locknut (FIG. 1).

5. Mount the small inside idler pulley on the long arm of the idler pivot using the 3/8" x 2-3/4" hex hd cap screw, 1-1/8" spacer, and locknut. Attach

the tension spring to the short arm of the idler pivot assembly (FIG. 1).

**NOTE: In the following instructions, sealer refers to Teflon Tape when used for pipe fittings.**

6. Apply sealer and install the 90 degree x 1-1/4" street elbow into the suction port of the pump. Apply sealer and install the 1" x 3" nipple, (2) 45 degree x 1" elbows, and quick adapter into the discharge port of the pump (FIG. 1).

7. Install the rubber mount into the tab mount and loose fit the tab mount to the pump mounting bracket using the (2) 3/8" x 1" hex hd cap screws, flat washers, and locknuts (FIG. 1).

**NOTE: For the installation of the pump mount bracket it is necessary to first remove the rear mounting bolt on the hydraulic valve. If equipped with the auxiliary hydraulic package, it is necessary to remove the last two mounting bolts of this valve. This will allow for the usage of the bolt holes to properly install the pump mount bracket. Reuse the fasteners earlier removed.**

8. Attach the pump mount bracket assembly to the left side of the vehicle frame using the (3) 5/16" x 1" hex hd cap screws, lockwashers, and hex nuts (FIG. 3). Next, attach the tab mount to the crossmember using the 3/8" x 1-1/2" hex hd cap screw, 3/8 I.D. 10 GA. flat washer, and locknut. See FIG. 1. Tighten all fasteners securely.

9. At the hydraulic control valve, loosen and disconnect the fittings for the right hand dump cylinder hoses. Reroute these hoses to the underside of the pump suction hose. Reconnect and tighten fittings, then secure with tie straps. Secure all other hoses and cables with tie straps to ensure they do not rub against pump pulleys and belts (FIG. 2).

10. Mount the pump and the spring tab to the pump mount bracket using the (2) 3/8" x 1-1/2" hex hd. cap screws, flat washers, and locknuts. Attach the spring to the spring tab located at the base of the pump (FIG. 1).

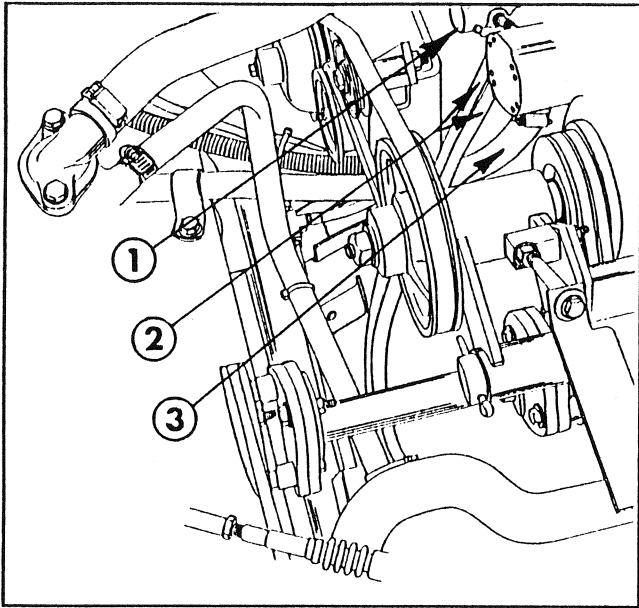


FIG. 2

- 1. Hydraulic Control Valve
- 2. R.H. Dump Cylinder Hoses
- 3. Pump Suction Hose

11. Apply thread sealer and install the 1-1/4" close nipple, suction strainer, 90° st. elbow, reducing nipple, and quick adapter into the suction side of the pump (FIG. 3).

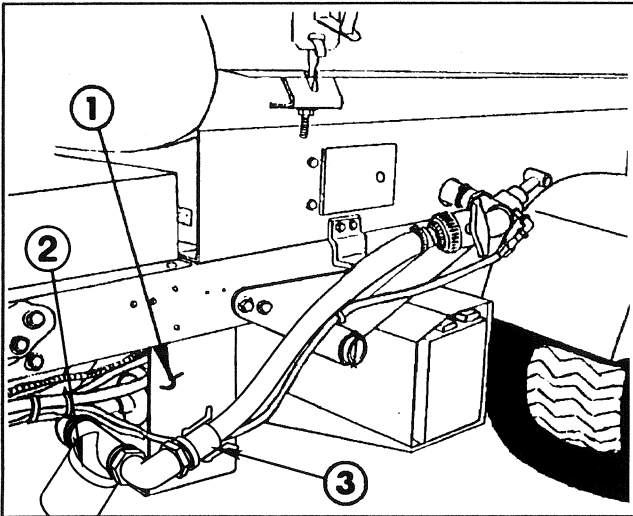


FIG. 3

- 1. Pump Mounting Brkt.
- 2. Strainer
- 3. Quick Coupler

12. Install the pump drive belt on the pulleys as shown in FIG. 4. After installation of the belt, loosely mount the backside idler pulley in the long slot on the idler pivot bracket using 3/8" x 2" carriage bolt, 3/4" spacer, hex nut, lockwasher and (2) flat washers. With the belt on the topside of the idler pulley, slide the pulley up until all the slack is removed from the belt, then tighten the nut on the carriage bolt. To apply tension to the belt, place the inside idler pulley under the belt. See FIG. 4.

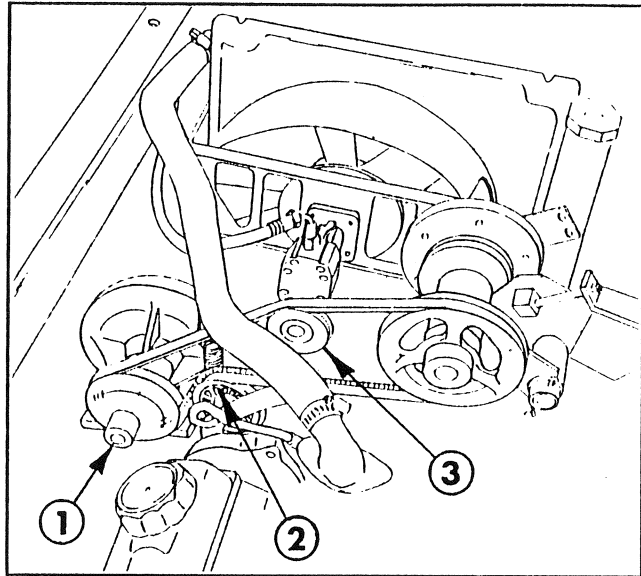


FIG. 4

- 1. Pump Pulley
- 2. Backside Idler Pulley
- 3. Inside Idler Pulley

**NOTE: On models equipped with the diesel engine, the enclosed hose protector and nylon tie must be installed on the lower radiator hose next to the street elbow in the suction port of the pump. On models equipped with the liquid cooled gas engine, install the hose protector and nylon tie on the upper radiator hose above the pump belt. This is to prevent the hose from wearing through prematurely.**

13. Unplug the wire harness connectors from both headlights.

14. Remove (15) screws and washers securing front hood to vehicle frame and remove hood.

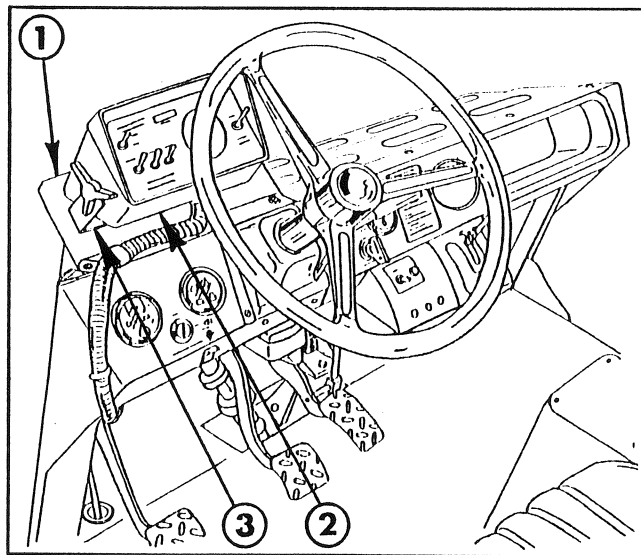


FIG. 5

- 1. Mounting Bracket
- 2. Control Console
- 3. "U" Console Brkt.

15. Temporarily mount the console mounting bracket to the upper dash support using two of the earlier removed screws and washers (FIG. 5).

16. Using (2) 1/4" x 5/8" hex washer head screws, flat washers and nuts, secure the "U" shaped console bracket to the console mounting bracket. Mount the control console to the "U" shaped bracket using the (2) mounting knobs (FIG. 5).

17. Route the control cable under the dash and through the hole in the floorboard. See FIG. 6. Loosen the bolts on the channel under the floorboard and feed the cable through the channel.

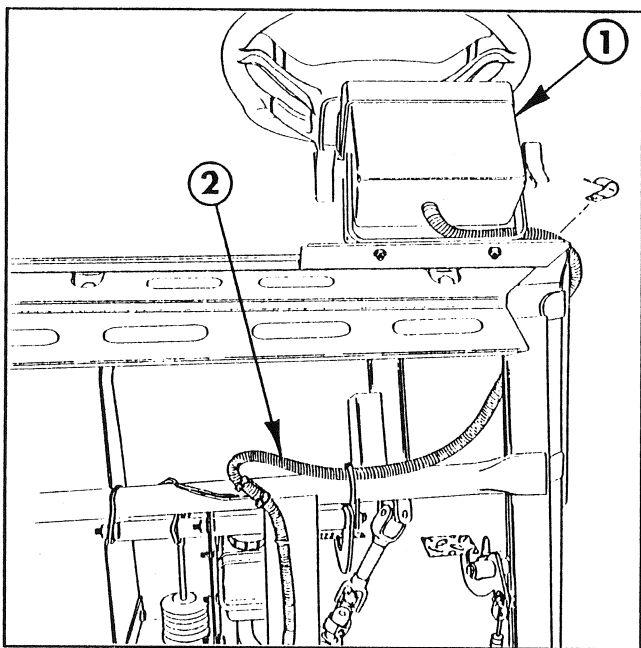


FIG. 6

1. Control Console 2. Control Cable

18. Route the control cable along the left side of the vehicle back towards the engine compartment and secure with nylon ties.

19. Locate and plug the 6' extension cable into the main console cable and connect the 1/4" gauge tube with the 1/4" union fitting. Route the extension cable to the rear of the vehicle and secure with nylon ties.

20. Re-tighten the bolts on the channel under the floorboard.

21. Turn the "POWER ON/OFF SWITCH TO "OFF".

22. Route the red and white battery wires of the console control cable to the auxiliary fuse block. Connect the red wire to a red wire on the fuse block and ground the white wire to the ground terminal bolt.

23. Insert the 20 amp fuse into the fuse block and affix decal marking fuse for the spray system.

**NOTE: It may be necessary to leave the hood off to mount other accessories. If so, do not complete steps 24-26 until all other accessories are installed.**

24. Remove the (2) screws that hold the console and console mounting bracket to the vehicle.

25. Reinstall the hood and remount the console and console mounting bracket using the 15 screws and washers earlier removed and install the "R" clamp on the console cable and secure.

26. Reconnect the wire harness connectors to both headlights.

27. Loosen and remove the (2) 3/8" nuts and attaching bolts that hold the left rear fender to the vehicle frame. Install a 10 GA. flat washer on each bolt and install the bolt through the fender and vehicle frame and mount the tank support bracket with these bolts. Reinstall the nuts and tighten securely. If not equipped with fenders, use the hex head cap screws and nuts provided. See FIG. 7.

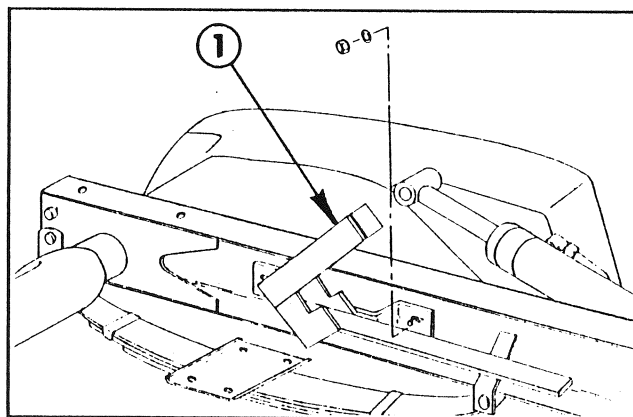


FIG. 7

1. Tank Support Brkt.

28. Cut the shipping straps and remove the Spray Tank and Skid Assembly from the shipping pallet.

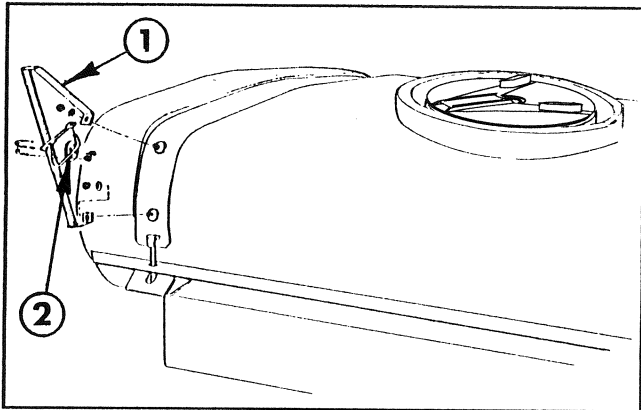
29. Install the two trim pieces on the middle and right cutouts at the front of the tank skid.

30. Place the tank and saddle assembly on the vehicle frame. Secure it to the vehicle frame by sliding the (2) 3/4" dia. clevis pins through the rear mounting lugs and the vehicle frame. Secure by installing the (4) lynch pins into the clevis pins. See FIG. 11.

31. Attach the boom hold-in brace assemblies to the (2) 5/16" x 3/4" carriage bolts found on each

side of the front tank mounting band using (4) flat washers and (4) 5/16" hex nuts. Tighten securely (FIG. 8).

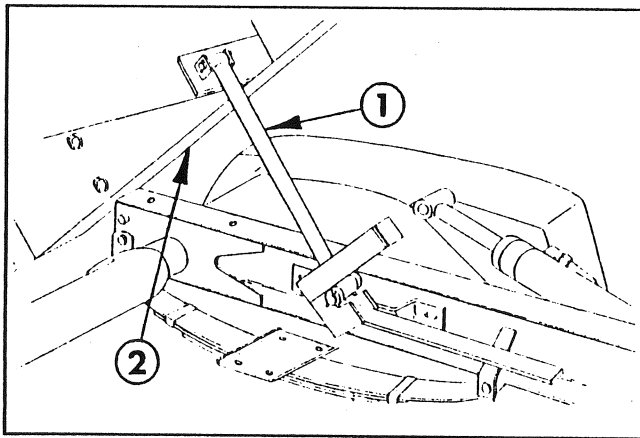
**32.** Attach the boom hold-in assemblies to the hold-in brace assemblies mounted on each side of the front tank mounting band using (4) 1/4" U-bolts and (8) 1/4" nuts (FIG. 8).



**FIG. 8**

1. Hold-In Brace
2. Boom Hold-In

**33.** Raise and support the front of the tank saddle assembly approximately 30 - 40 degrees to gain access to the engine compartment.



**FIG. 9**

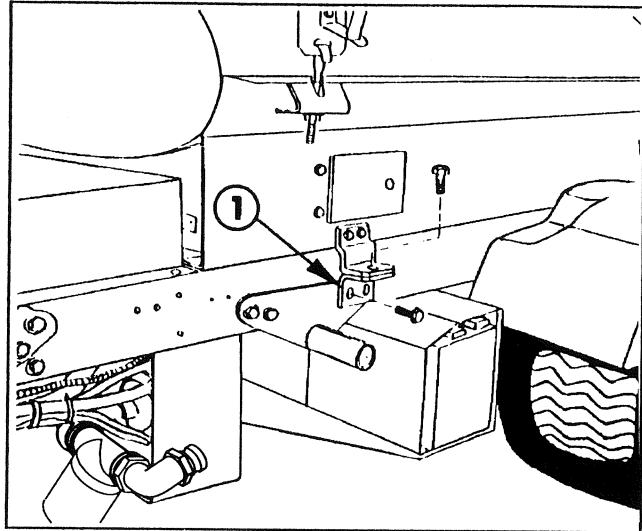
1. Strut Support Rod
2. Tank Saddle Assembly.

**34.** Assemble the (2) 3/8" long spacers, clevis pin, and cotter pin to one end of the strut support rod. Insert the strut support rod through the support bracket located on the left side of the vehicle (FIG. 9).

**35.** Attach the strut support rod assembly to the inside of the skid at the rear bulkhead using the clevis and cotter pin (FIG. 9).

**36.** Locate and remove the (2) 1/2" bolts on each side of the vehicle frame and install the attachment mounting bracket using the bolts

earlier removed. Re-tighten the nuts and bolts securely (FIG. 10).



**FIG. 10**

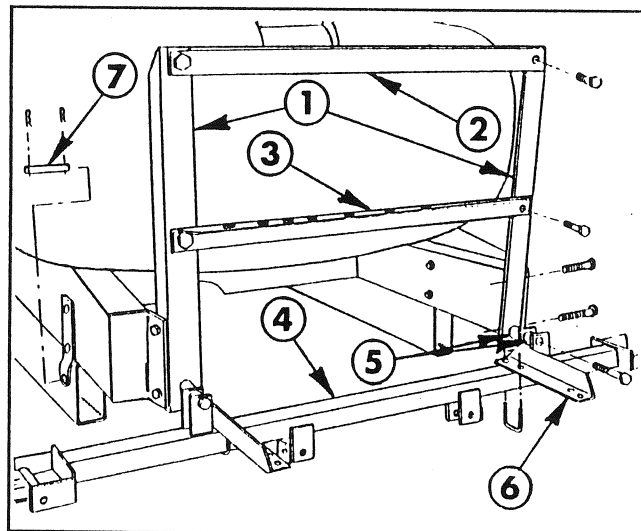
1. Attachment Mounting Brkt.

**37.** Secure all wiring along the vehicle frame and under the dash panel with the plastic cable ties furnished.

**38.** Release the strut support rod and lower the tank and saddle assembly.

**39.** Apply sealer and install the 1" 90 degree hose barb in the rear tank tee (FIG. 16).

**40.** Attach the two boom mount upright angles onto the rear of the tank saddle extensions using (4) 1/2"x 1-1/4" hex hd cap screws and locknuts (FIG. 11).



**FIG. 11**

1. Upright Angles
2. Upper Cross Support
3. Lower Cross Support
4. Boom Main Frame
5. Spacer Tubes
6. Center Boom Angle
7. 3/4" Clevis Pin

**NOTE: Steps 41-43 apply to the assembly of the standard boom only. If the optional "Boom Pivot Kit" will be installed, see the instructions furnished with that kit. The lower cross support to be used with that kit is different than the support used on the standard boom.**

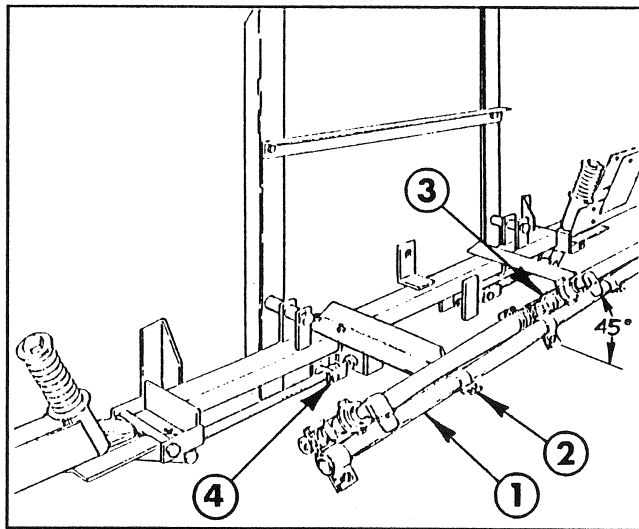
41. Position the lower cross support angle and attach it to the boom mount upright arms with (2) 1/2" x 1-1/4" hex hd cap screws and locknuts (FIG. 11).

42. Position the upper cross support angle and attach it to the boom upright angles with (2) 1/2" x 1-1/4" hex hd cap screws and locknuts. See FIG. 11.

43. Position the spacer tubes between the boom mount upright angles and the lugs on the main frame tube. Use (2) 1/2" x 4" hex hd. cap screws and locknuts to secure the main frame tube to the uprights (FIG. 11).

44. Position the two center boom angles on the main frame tube and secure them to the frame tube with (2) square U-bolts, (4) flat washers, and (4) hex nuts (FIG. 11).

45. Center and attach the center boom pipe to the center boom angles with two clamps, 3/8" x 1" hex hd cap screw, washers and lock nuts (FIG. 12).



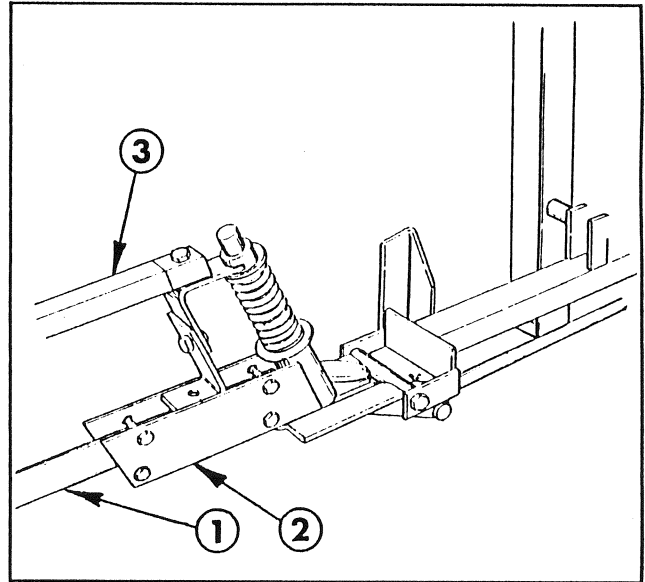
**FIG. 12**

1. Center Boom Pipe
2. Boom Clamp
3. Triple Barb Nozzle
4. Adjustable Clevis Assy.

46. Loosely attach the triple barb nozzle assembly in the approximate center of the center boom pipe. For most uniform spray coverage, position all nozzle assemblies at a 45 degree angle (FIG. 12). Tighten clamp screw to secure the nozzle to the boom pipe.

47. Loosely attach a single barb nozzle assembly to each end of the center boom pipe. Place two hose clamps on the two 3/4" x 19" jumper hoses and connect the single barb nozzles to the triple barb nozzle. Tighten all fasteners securely (FIG. 12).

48. Attach the strut assemblies to the adjustable clevis assemblies found on each side of the main frame tube with (2) 1/2" x 2" clevis pins and (2) 1/8" x 1" cotter pins. See FIG. 12.



**FIG. 13**

1. Extension Boom Pipe
2. Pivot Assy.
3. Boom Support Assy.

49. Insert the plugged end of an extension boom pipe into the pivot assembly and secure with (4) 1/4" x 1-1/4" hex head cap screws and lock nuts. Repeat on the opposite side to assemble the other extension boom (FIG. 13).

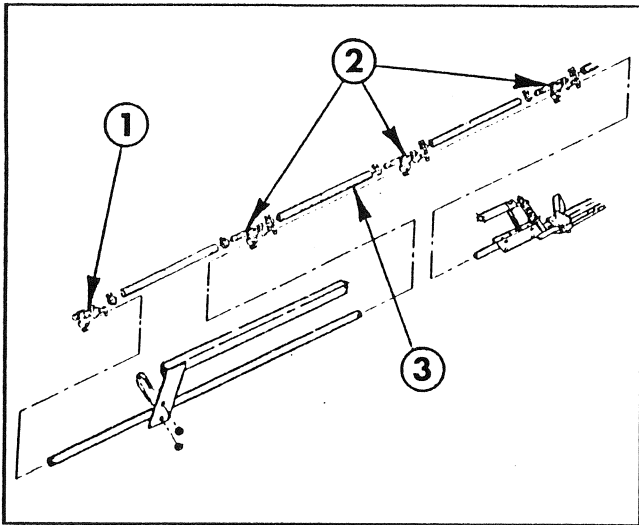
**IMPORTANT: Do NOT over tighten nuts in steps 49 & 51. The clamping action could crush the boom pipe.**

50. Attach the boom support assembly to the pivot assembly, using a 5/16"x 1-1/2" screw and locknut (FIG. 13).

51. Secure the two plates of the boom support assembly to the extension boom pipe, using (2) 1/4" U-bolts, (4) locknuts, and (4) flat washers (FIG. 14).

52. Assemble the boom support assembly to the other extension boom pipe.

53. At the adjustable clevis assemblies (See FIG. 12), adjust the booms to the level position by adjusting the jam nuts to the desired position, then tighten the end nuts against the boom frame support member.



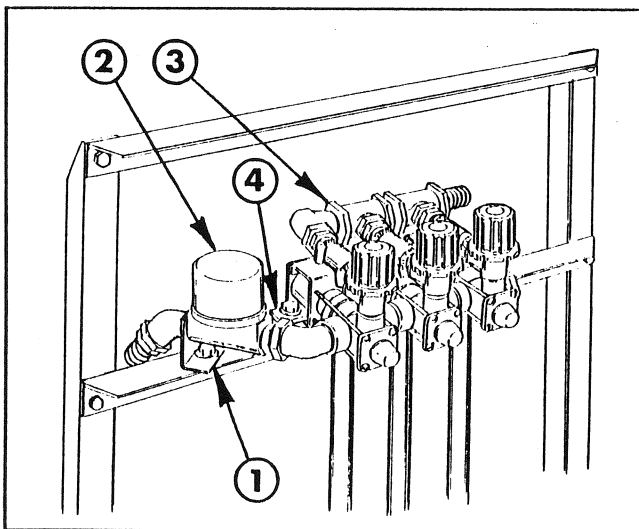
**FIG. 14**

- |                       |                |
|-----------------------|----------------|
| 1. Single Barb Nozzle | 3. Jumper Hose |
| 2. Double Barb Nozzle |                |

54. Attach three double barb and one single barb nozzle assemblies on each extension boom pipe as shown in FIG. 14. Nozzles are to be spaced on 20" centers. Connect the nozzle assemblies with the 3/4" x 19" jumper hoses. Secure with hose clamps.

55. Position the control valve bracket, apply thread sealer and install the 3/4" 45 degree elbow, and the 3/4" x 1" hose barb in the inlet port of the control valve (FIG. 15).

56. Apply sealer and install the 3/4" close nipple and 3/4" 45 degree elbow in the outlet port of the control valve (FIG. 15).



**FIG. 15**

- |                        |                        |
|------------------------|------------------------|
| 1. Control Valve Brkt. | 3. Solenoid Assy       |
| 2. Control Valve       | 4. Solenoid Mtg. Strap |

57. Apply sealer and connect control valve assembly to the solenoid assembly by screwing them together. See FIG. 15.

58. Apply sealer and install the 1/4" male fitting into the 3/4" x 1/4" reducer bushing located in the side of the right solenoid valve.

59. Position the complete control valve and solenoid assembly on the lower cross support with the solenoid assembly centered as shown in FIG. 15. Slide the solenoid mounting strap into position and secure with (4) 5/16" x 1" hex hd cap screws, (10) washers, and (4) nuts. Place four washers on top of the mounting strap, two at each end in between the strap and the cross support, and four under the cross support.

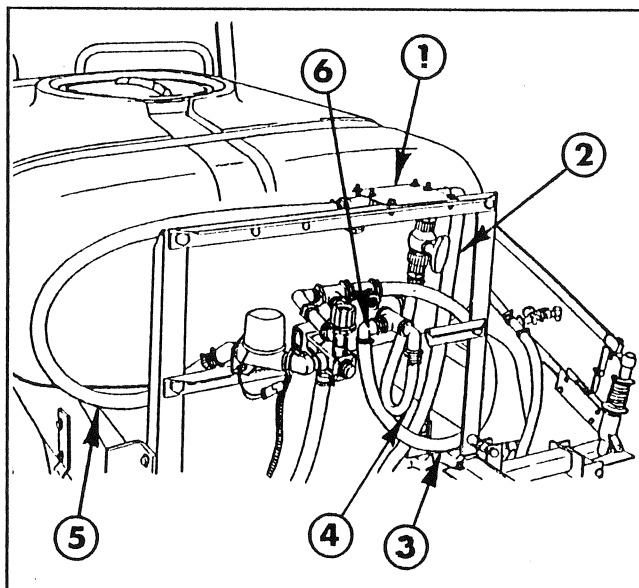
60. Attach the control valve bracket to the cross support with a 5/16" x 3/4" cap screw, flat washer, and nut (FIG. 15).

61. Connect the boom feeder hoses to the barbs in the electric solenoids with hose clamps. The (2) 3/4" x 50" hoses are to be attached to the hose barbs in the left and right solenoids. The 3/4" x 36" hose is to be attached to the barb in the center solenoid (FIG. 15).

62. Place a hose clamp on the center boom feeder hose and attach it to the triple barb nozzle on the center boom pipe.

63. Place a hose clamp on the right and left boom feeder hoses and attach them to the double barb nozzles on the right and left extension boom pipes.

64. Apply sealer and install the 1" x 1" hose barb into the end of the tee assembly and a 1" x 3/4" hose barb into the existing ball valve of the tee assembly (FIG. 16).



**FIG. 16**

- |                     |                     |
|---------------------|---------------------|
| 1. Tee Assy         | 4. Agitator Hose    |
| 2. 100" Supply Hose | 5. 42" Supply Hose  |
| 3. Overflow Hose    | 6. 1" 90° Hose Barb |

65. Mount the tee assembly and bracket to the upper cross support with (2) 5/16" x 1" hex hd cap screws, flat washers, lockwashers, and nuts (FIG. 16).

66. Install a 1" quick coupler on the end of the 1" x 100" supply hose and secure with a hose clamp. Connect the supply hose to the discharge port on the pump with the quick coupler. Route the hose along the left side of the vehicle under the tank, and connect to the hose barb on the right side of the tee assembly and secure with a hose clamp (FIG. 16). Secure hose at cable mounting bracket and rear cross member with tie straps.

67. Install the protective hose loom on the 100" pressure hose as shown in FIG. 17. Secure the loom to the hose by tightening a tie strap around each end of the loom so that the loom does not shift front to rear.

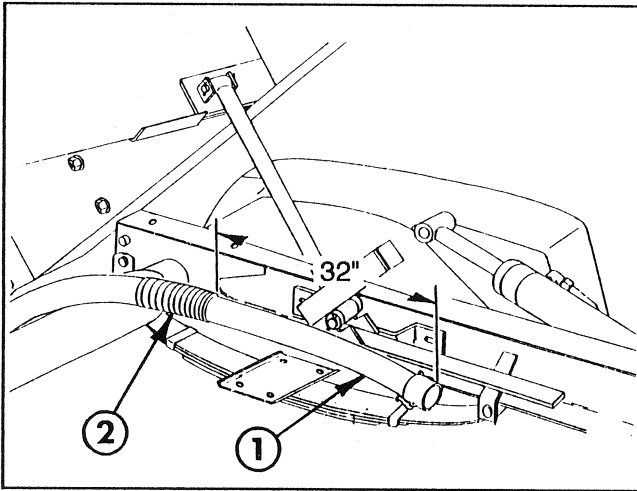


FIG. 17

1. 100" Supply Hose      2. Protective Loom

68. Connect the 1" x 42" supply hose to the 1" hose barb on the tee assembly and the 1" hose barb in the control valve. Secure with hose clamps (FIG. 16).

69. Connect the 3/4" x 28" agitator hose to the 3/4" hose barb in the first ball valve and connect to the hose barb on the rear of the tank. Secure the hose with hose clamps (FIG. 16).

70. Connect the 1" x 42" overflow hose to the 1" hose barb in the end of the electric solenoid assembly and connect to the 90 degree hose barb on the left side of the rear tank tee. Secure with hose clamps (FIG. 16).

71. Connect the plug on the 6' extension cable to the control valve, then make connections to the electric solenoid valves (black wire on left solenoid, brown on middle solenoid, blue on right solenoid, and a white jumper on all three solenoids).

72. Connect the gauge tube at the 1/4" reducer bushing in the end of the solenoid valve and connect at the main console cable.

73. Mount the radiator cover to the vehicle frame using the (4) 3/8" x 1" hex head cap screws and (4) flat washers. On some models, it may be necessary to use the (2) nuts provided to mount the cover at the rear mounting holes.

74. Secure the tank skid to the vehicle frame by installing the (2) 1/2" bolts, (4) washers, and (2) lock nuts through the attachment mounting brackets (FIG. 10). Tighten fasteners securely.

75. Attach the suction hose to the suction strainer using the quick couplers.

76. Tighten all fasteners and hose -clamps securely before using the sprayer.

77. Fill the tank with clean water and check for any leaks.

78. Refer to the Manual Spray System Owner's Manual for the proper calibration and operation of the Manual Spray System.

## NOTES

# NO RIDERS

75-5190

Part No. 75-5190: Located on Radiator Cover top, front & rear (2).

SPRAYER  
20 AMP  
92-2663

Part No. 92-2663: Located at Fuse Block (1).



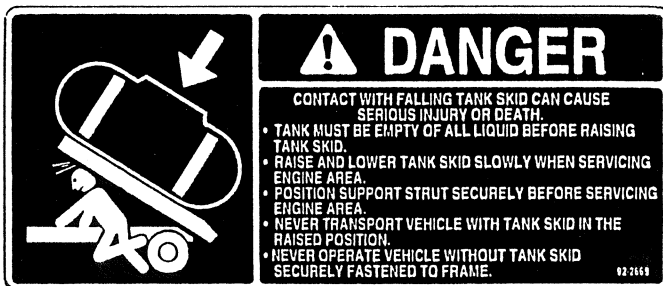
Part No. 80-8040: Located on Radiator Cover top, front & rear (2).



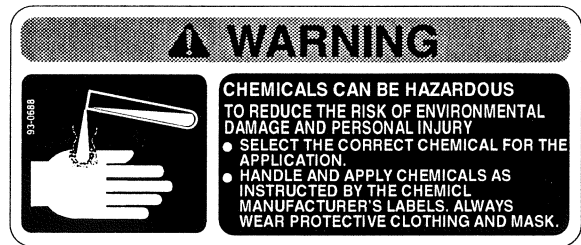
Part No. 87-0570: Located on rear Tank Band (2).



Part No. 36-3400: Located on Radiator Cover, top sides (2).



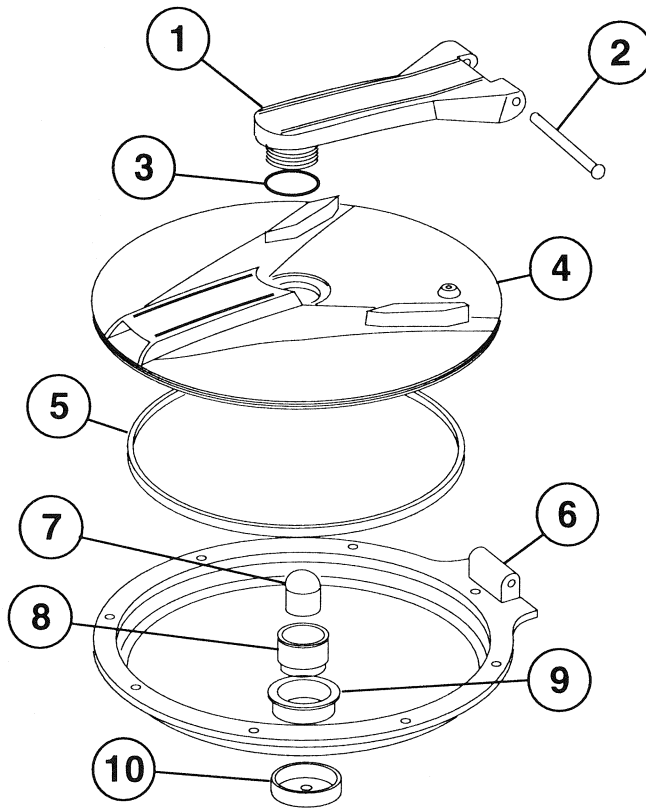
Part No. 92-2669: Located on Tank Skid - left side @ strut (1).



Part No. 93-0688; Located on Tank Lid (1)

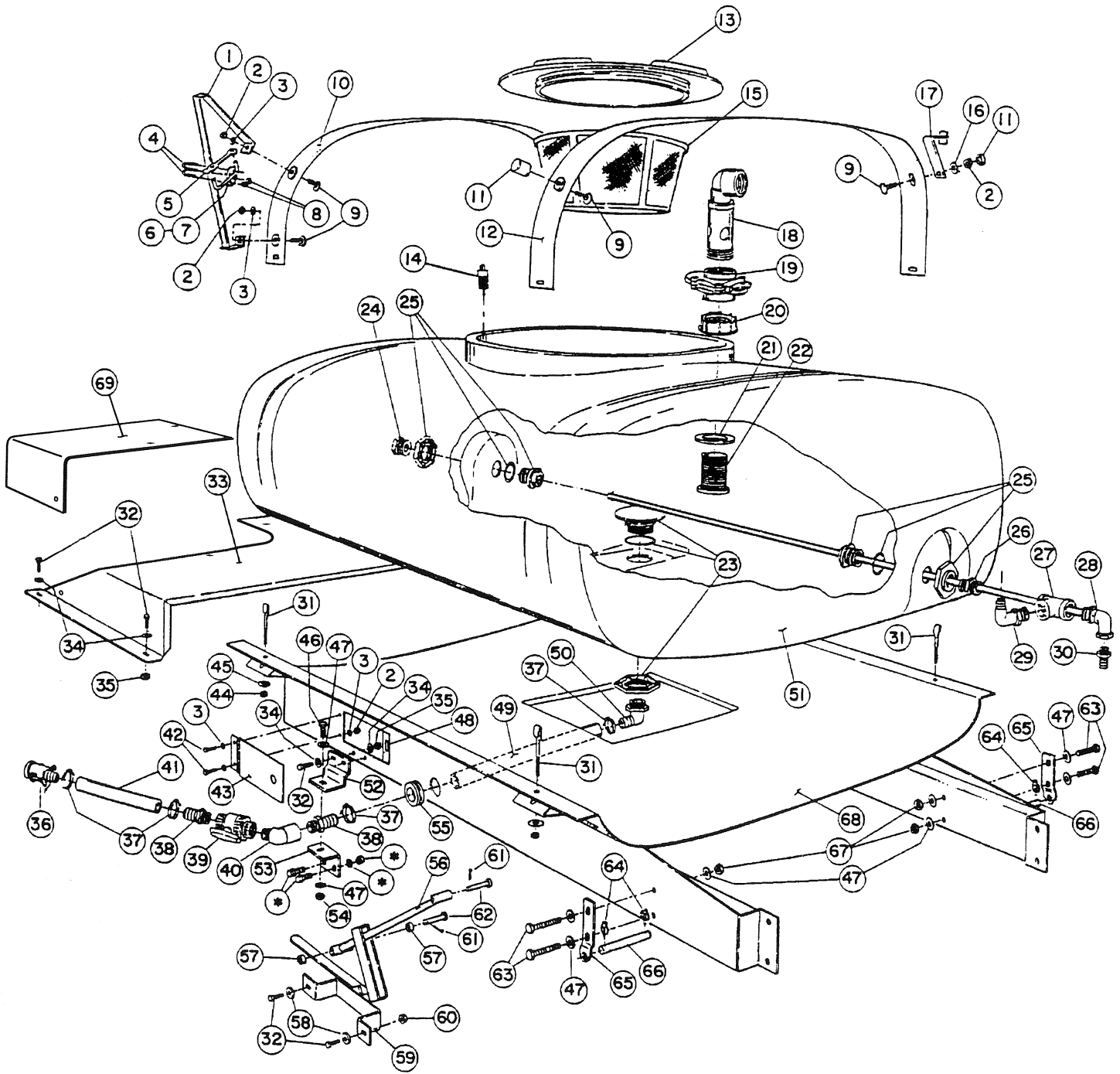


Part No. 92-2668: Located on Tank sides (2).



### Tank Lid Assembly (94-7088)

Ref	Part No.	Description	Qty
1	94-7205	Swivel Arm	1
2	94-7213	Pivot Pin	1
3	94-7206	O-Ring EPDM	1
4	94-7207	Spray Tank Lid	1
5	94-7208	Gasket EPDM	1
6	94-7211	Tank Lid Ring	1
	93-0833	Aluminum Pop-Rivet	8
7	94-7209	Breather Plunger	1
8	94-7210	Breather Body	1
9	94-7212	Breather Nut	1
10	94-7214	Breather Cap	1

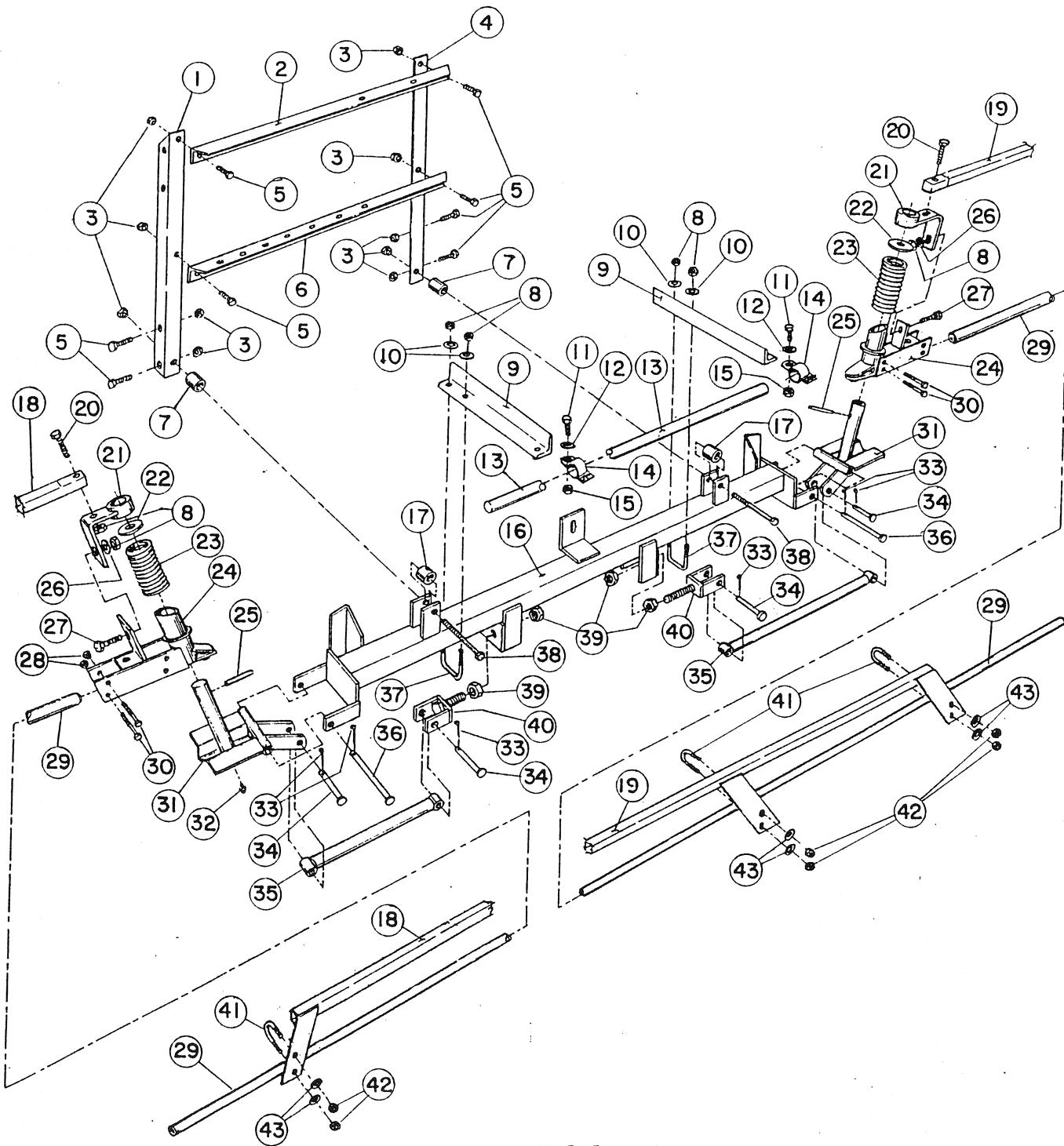


## **SKID & TANK (200)**

\* Indicates fasteners included with the vehicle.

## SKID & TANK (200)

REF	PART NO.	DESCRIPTION	QTY
1	42983	Hold-In Brace Assy.	2
2	22-12-AJD	Hex Nut, 5/16 NC	10
3	24-10-BD	Flatwasher, 5/16 S.A.E.	12
4	92-0010	U-Bolt, 1/4 NC	4
5	42198	Rubber Hold-Down Strap	2
6	42259	Boom Hold-In Assy - L.H. (shown)	1
7	42316	Boom Hold-In Assy - R.H. (opposite)	1
8	22-11-AJD	Hex Nut, 1/4 NC	8
9	25-25-AGD	Carriage Bolt, 5/16 NC x 3/4	6
10	92-3666	Tank Band - Front	1
11	42452	Protective Cap	2
12	23-10-GD	Lock Washer, 5/16	1
13	94-7088	Tank Lid, Hinged (f/w Tank Assy.)	1
14	93-1092	Drain Plug	1
15	42323	Filler Basket - 16" (f/w Tank Assy.)	1
16	92-3667	Tank Band - Rear	1
17	42277	Pressure Gauge Bracket	1
18	43069	Stand-Up Assy	1
19	43064	Knife Valve	1
20	43068	Fly Nut, 2" NPT	1
21	43067	Sealing Washer	1
22	43066	Bulk Head, 2" NPT	1
23	41798	Anti-Vortex Fitting, 1-1/4 NPT (f/w Tank Assy.)	1
24	41315	Hex Plug, 1" MPT	1
25	41800	Tank Fitting, 1" NPT (f/w Tank Assy.)	1
26	41304	Close Nipple, 1" NPT	1
27	41305	Tee, 1" NPT	1
28	92-3630	Agitator Tube Assy	1
29	41140	90 Elbow, 1" MPT x 1" HB	1
30	41257	Hose Barb, 3/4 MPT x 3/4 HB	1
31	92-3668	"J"-Bolt	4
32	20-47-AGD	HHCS, 3/8 NC x 1"	10
33	93-6199	Radiator Cover	1
	92-3627	Trim - 5-5/8"	1
	42657	Trim - 26"	1
34	24-11-BD	Flatwasher, 3/8	12
35	22-13-AJD	Hex Nut, 3/8	6
36	40480	Female Quick Coupler, 1" HB	1
37	21146	Hose Clamp	4
38	92-0012	Hose Barb, 1" MPT x 1" HB	2
39	40020	Ball Valve, 1" NPT	1
40	41307	90 St. Elbow, 1" NPT	1
41	94-8506	Suction Hose, 1" x 21"	1
42	20-24-AGD	HHCS, 5/16 NC x 3/4	4
43	92-0135	Door Assy.	1
44	22-14-AJD	Hex Nut, 7/16 NC	4
45	24-12-AD	Flatwasher, 7/16	4
46	20-87-AGD	HHCS, 1/2 NC x 1-1/2"	2
47	24-13-BD	Flatwasher, 1/2 S.A.E.	12
48	92-3700	Door Magnet	2
49	92-3677	Suction Hose, 1" x 30"	1
50	42057	90 Elbow, 1-1/4" MPT x 1" HB	1
51	92-8172	Tank Assembly - 200 gal.	4
52	92-0159	Front Mtg. Bracket	1
53	92-2667	Attachment Mtg. Bracket	1
54	22-15-AJFD	Lock Nut, 1/2 NC	2
55	40764	Grommet	1
56	92-3750	Strut Assy.	1
57	92-0303	Pivot Spacer	2
58	356308	Washer, #10 ga.	2
59	92-3690	Strut Support Bracket Assy	1
60	321397	Flanged Nut, 3/8	2
61	28-18-D	Cotter Pin, 1/8 x 1"	2
62	42195	Clevis Pin, 1/2 x 2"	2
63	20-92-AGD	HHCS, 1/2 NC x 2-3/4"	4
64	92-1298	Lynch Pin	4
65	92-0158	Pivot Lug	1
66	92-1233	Clevis Pin, 3/4 x 4-7/16"	2
67	22-15-AJD	Hex Nut, 1/2 NC	4
68	92-8173	Skid Assy.	1
	92-3752	Cutout Trim	1
	92-3753	Cutout Trim	1
69	93-6427	Radiator Cover -Panel	1
	34-140-AMVD	Self-tapping screw, 1/4-20 x 5/8 UNC Hex washer hd	3

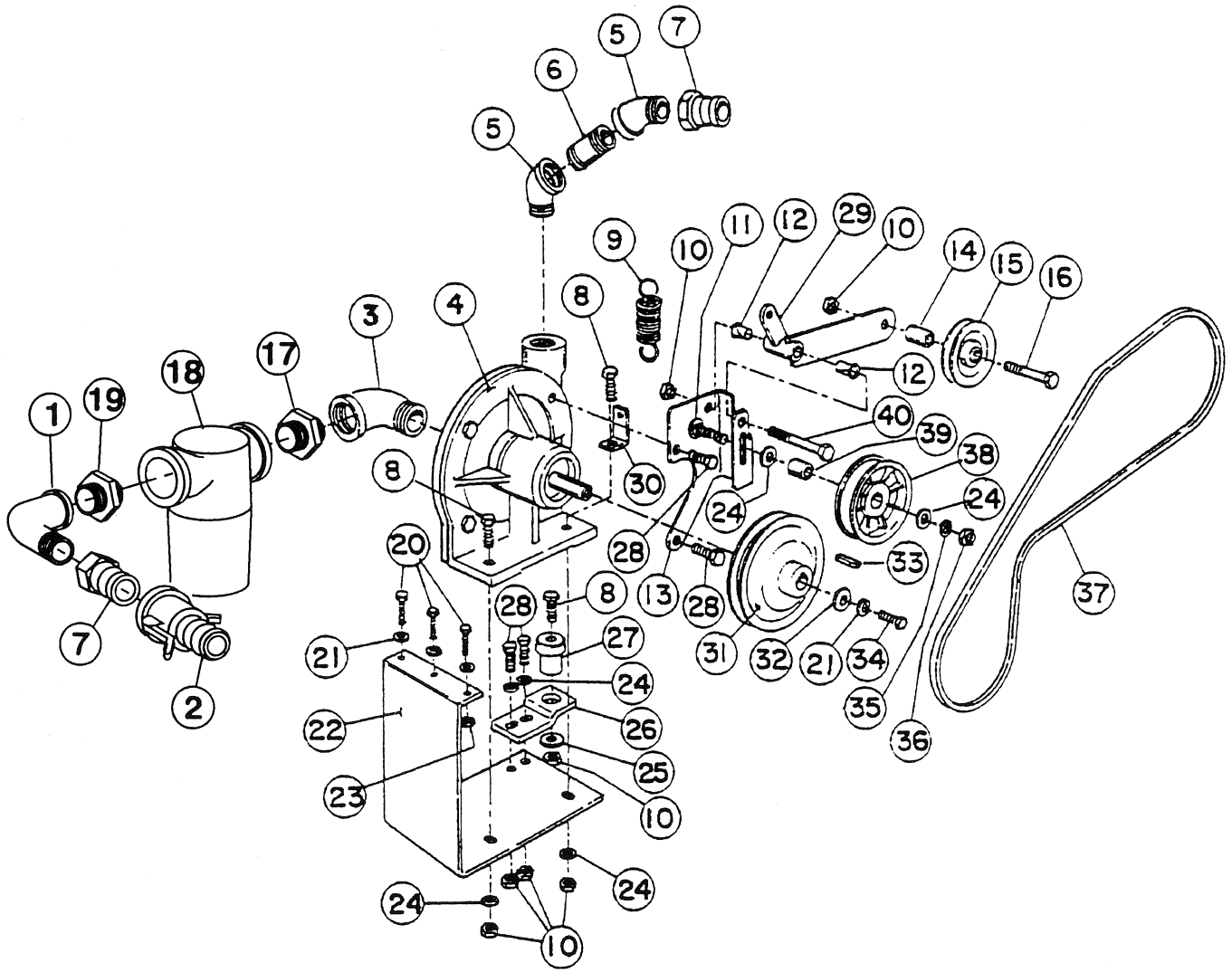


**BOOM FRAME**

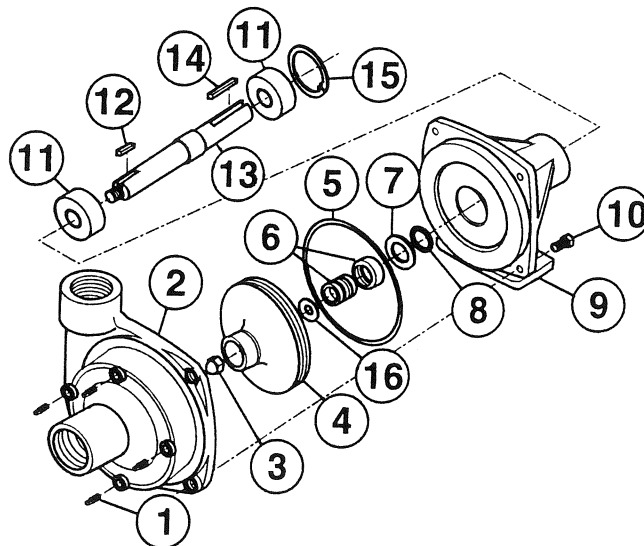
## BOOM FRAME

REF	PART NO.	DESCRIPTION	QTY
1	92-3671	Boom Mounting Angle - L.H. ....	1
2	92-3672	Cross Angle - Upper ....	1
3	22-15-AJFD	Lock Nut, 1/2 NC ....	10
4	92-3670	Boom Mounting Angle - R.H. ....	1
5	20-86-AGD	HHCS, 1/2 NC x 1-1/4 ....	8
6	42225	Cross Support Angle ....	1
7	42258	Spacer Tube, 1-1/4" Lg. ....	2
8	22-12-AJD	Hex Nut, 5/16 NC ....	8
9	42234	Center Boom Angle ....	2
10	24-10-AD	Flatwasher, 5/16 ....	4
11	20-47-AGD	HHCS, 3/8 NC x 1" ....	2
12	24-11-AD	Flatwasher, 3/8 ....	2
13	40493	Center Boom Pipe ....	1
14	40494	Clamp Assy. ....	2
15	22-13-AJFD	Lock Nut, 3/8 NC ....	2
16	42227	Main Frame Tube-Welded Assy. ....	1
17	42257	Spacer Tube, 1" Lg. ....	2
18	42711	Boom Support Assy. - L.H. ....	1
19	42710	Boom Support Assy. - R.H. ....	1
20	20-28-AGD	HHCS, 5/16 NC x 1-1/2" ....	2
21	42707	Support Bracket Assy. ....	2
22*	24-18-BD	Flatwasher, 1" S.A.E. ....	2
23*	42196	Compression Spring ....	2
24*	42706	Breakaway Pivot Assy. ....	2
25*	29-199-C	Spring Pin, 1/4 x 2" ....	2
26	24-10-BD	Flatwasher, 5/16 S.A.E. ....	2
27	25-25-AGD	Carriage Bolt, 5/16 NC x 3/4 ....	2
28	22-11-AJFD	Lock Nut, 1/4 NC ....	8
29	42282	Extension Boom Pipe Assy. ....	2
30	20-8-AGD	HHCS, 1/4 NC x 1-3/4 ....	8
31*	42243	Hinge Assy. ....	2
32*	361011	Grease Fitting ....	2
33	28-18-D	Cotter Pin, 1/8 x 1" ....	6
34	42195	Clevis Pin, 1/2 x 2" ....	4
35	42240	Strut Assy. ....	2
36	42194	Clevis Pin, 1/2 x 4-1/2" ....	2
37	301950	U-Bolt, 5/16 NC ....	2
38	20-97-AGD	HHCS, 1/2 NC x 4" ....	2
39	22-17-AJD	Hex Nut, 5/8 NC ....	4
40	42237	Adjustable Clevis Assy. ....	2
41	92-0010	U-Bolt, 1/4 NC ....	4
42	22-11-AJFD	Lock Nut, 1/4 NC ....	8
43	24-9-AD	Flatwasher, 1/4 ....	8

\* Denotes parts that are available in an assembled unit.  
Order #42840 Breakaway Assembly.



**SPRAYER PUMP ASSEMBLY (3000)**



**CENTRIFUGAL PUMP (93-6505)**

### SPRAYER PUMP ASSEMBLY (3000)

REF	PART NO.	DESCRIPTION	QTY
1	41307	1" 90° Street Elbow	1
2	40480	Quick Coupler x 1" HB	1
3	5703	90° St. Elbow, 1-1/4" NPT	1
4	93-6505	Centrifugal Pump	1
5	5706	45° St. Elbow, 1" NPT	2
6	92-3731	Nipple, 1" MPT x 3"	1
7	41316	Quick Adaptor, 1" FPT	2
	41318	Dust Cap	2
8	20-49-AD	HHCS, 3/8 NC x 1-1/2"	3
9	67-1440	Tension Spring	1
10	22-13-AJFD	Lock Nut, 3/8	7
11	3231-7	Carriage Bolt, 3/8 NC x 2"	1
12	52-2890	Nyliner Bushing	2
13	92-3742	Idler Pivot Assy.	1
14	92-3701	Idler Spacer (Inside)	1
15	68-0030	Idler Pulley (Inside)	1
16	20-54-AGD	HHCS, 3/8 NC x 2-3/4"	1
17	92-0050	Close Nipple, 1-1/4" MPT	1
18	42701	Suction Strainer	1
	93-0687	Bowl	1
	94-7065	Strainer Screen 20 mesh std (f/w 42701)	1
	42702	Strainer Screen 40 mesh optional	AR
	42703	Strainer Gasket (f/w 42701)	AR
19	42992	Reducing Nipple, 1-1/4" MPT x 1" MPT	1
20	20-26-AGD	HHCS, 5/16 NC x 1"	3
21	23-10-GD	Lock Washer	4
22	92-3725	Pump Mounting Bracket	1
23	22-12-AJD	Hex Nut, 5/16 NC	3
24	24-11-AD	Flatwasher, 3/8	4
25	356308	Special Washer	1
26	92-3726	Tab Mount	1
27	63-9750	Rubber Mount	1
28	20-47-AGD	HHCS, 3/8 NC x 1"	4
29	92-3740	Idler Bracket	1
30	92-3741	Spring Tab	1
31	92-2629	Pump Pulley	1
32	356303	Special Washer	1
33	92-0049	Sq. Key, 3/16 x 1-1/4"	1
34	20-24-BGD	HHCS, 5/16 NF x 3/4	1
35	23-11-GD	Lock Washer, 3/8	1
36	22-13-AJD	Hex Nut, 3/8 NC	1
37	54-1360	Drive Belt	1
38	41353	Idler Pulley (Backside)	1
39	92-3746	Idler Spacer (Backside)	1
40	20-55-AD	HHCS, 3/8 NC x 3"	1

### CENTRIFUGAL PUMP (93-6505)

REF	PART NO.	DESCRIPTION	QTY
1	42084	Drain Plug	4
2	94-8503	Pump Casing	1
3	42086	Impeller Nut	1
4	94-8504	Impeller	1
5*	42089	Oring	1
6*	42088	Mechanical Seal (Viton)	1
7	93-0924	Seal Retainer	1
8	42092	Slinger Ring	1
9	93-0925	Mounting Flange	1
10	20-47-AGD	Bolt	4
11	93-0927	Ball Bearing	2
12	93-0928	Key	1
13	94-8505	Pump Shaft	1
14	93-0930	Key	1
15	42093	Bearing Retainer	1
16*	93-0931	Gasket	1

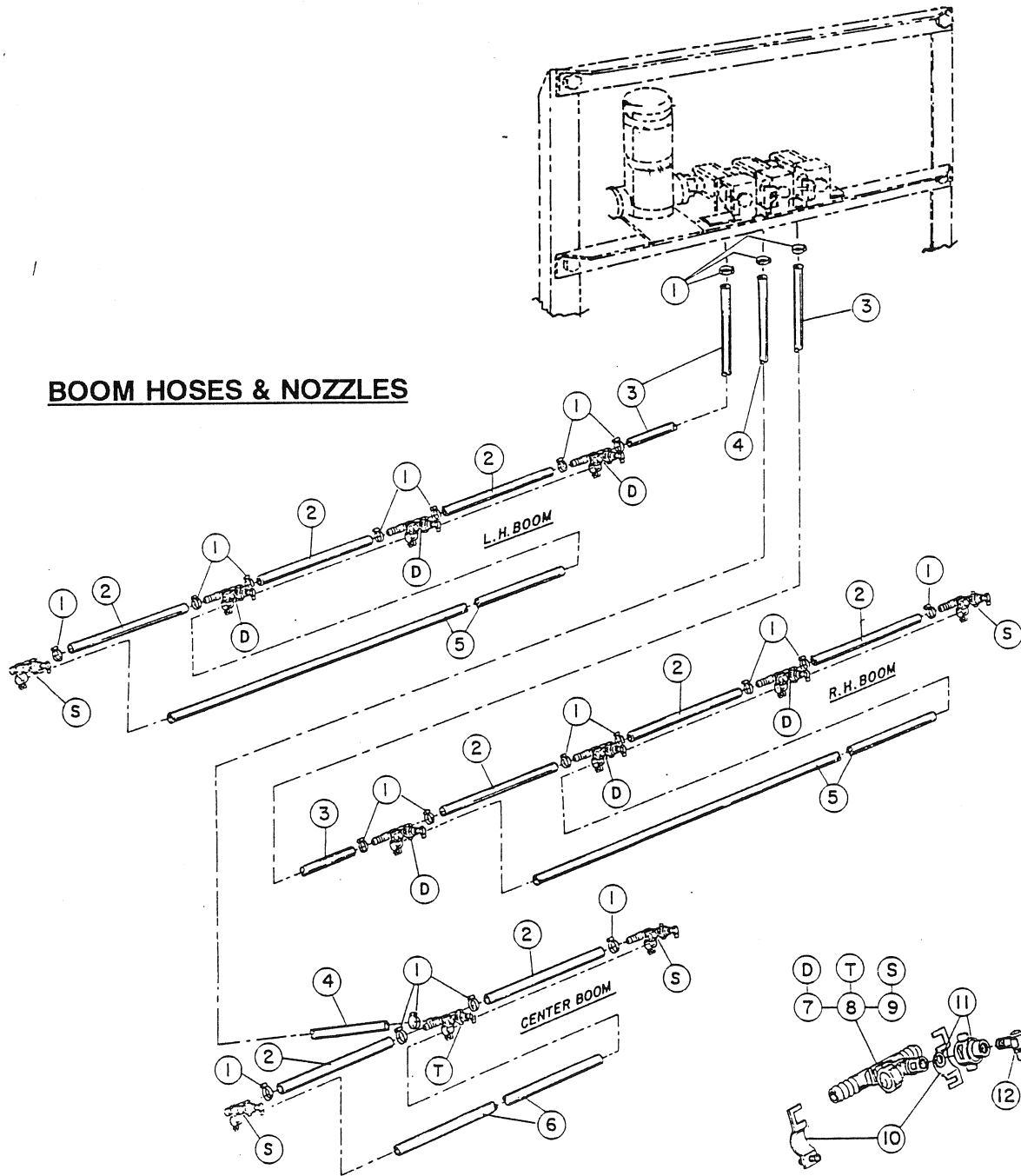
\* Denotes parts included in Seal/O-Ring Repair Kit. Order Part No. 94-8520



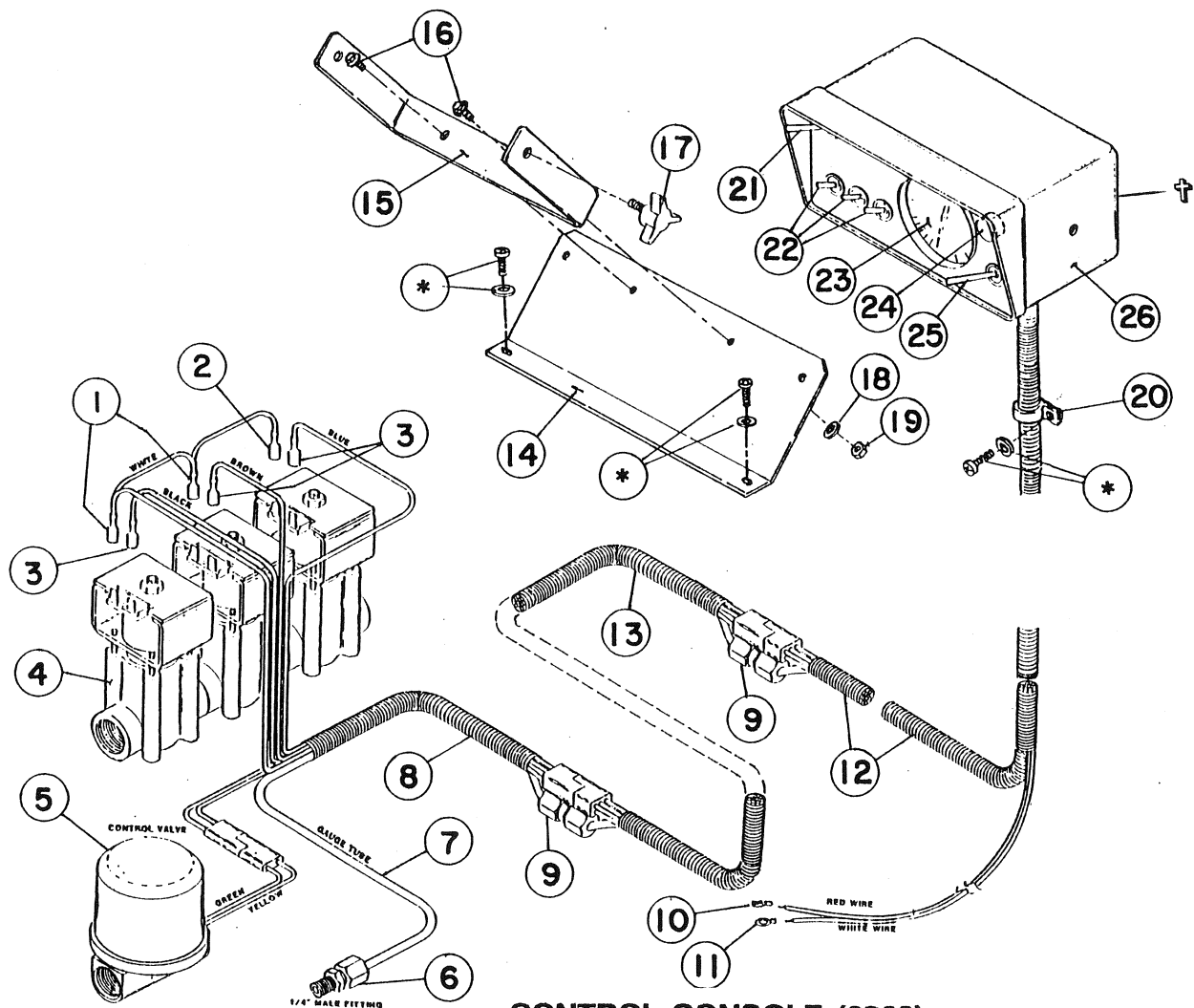
**MANUAL SPRAY SYSTEM (3000)**

REF	PART NO.	DESCRIPTION	QTY
1	92-3696	Supply & Overflow Hose, 1" x 42"	2
2	21146	Hose Clamp	6
3	92-0012	Hose Barb, 1" MPT x 1" HB	1
4	41305	Tee, 1" NPT	3
5	24-10-BD	Flatwasher, 5/16 S.A.E.	20
6	22-12-AJD	Hex Nut, 5/16 NC	11
7	92-3675	Manifold Mtg. Plate	1
8	20-26-AGD	HHCS, 5/16 NC 3/4	7
9	23-10-GD	Lock Washer, 5/16	2
10	41140	90° Elbow, 1" MPT x 1" HB	1
11	41315	Hex Plug, 1" MPT	2
12	92-3723	U-Bolt, 5/16 NC	2
13	41304	Close Nipple, 1" NPT	3
14	40020	Ball Valve, 1" NPT	1
15	92-0236	Hose Barb, 1" MPT x 3/4 HB	1
16	92-0045	Hose Clamp	11
17	92-3721	Agitator Hose, 3/4 x 28"	1
18	92-3707	Supply Hose, 1" x 100"	1
19	40480	Quik Coupler x 1" HB	1
20	42940	St. Elbow, 3/4 NPT	1
21	42941	Tee, 3/4 NPT	2
22	41294	Close Nipple, 3/4 MPT	2
23	41730	Hose Barb, 3/4 MPT x 1" HB	2
24	41257	Hose Barb, 3/4 MPT x 3/4" HB	3
25	42944	Connector Hose, 3/4 I.D. x 2-1/2"	3
26	41313	Hose Barb, 1/2 MPT x 3/4 HB	6
27	42872	Throttling Valve	3
28	93-1028	Solenoid By-Pass Valve	1
	93-1027	Single Solenoid	AR
	93-1040	Seal Kit for Solenoid	AR
29	41310	Reducer Bushing, 3/4 MPT x 1/4 FPT	1
30	42939	45° St. Elbow, 3/4 NPT	2
31	42938	Control Valve Bracket	1
32	43936	Control Valve	1
33	41325	Solenoid Valve Strap	1
34	41340	Boom Hose (Left & Right), 3/4 x 50"	2
35	42274	Boom Hose (Center), 3/4 x 36"	1

## BOOM HOSES & NOZZLES



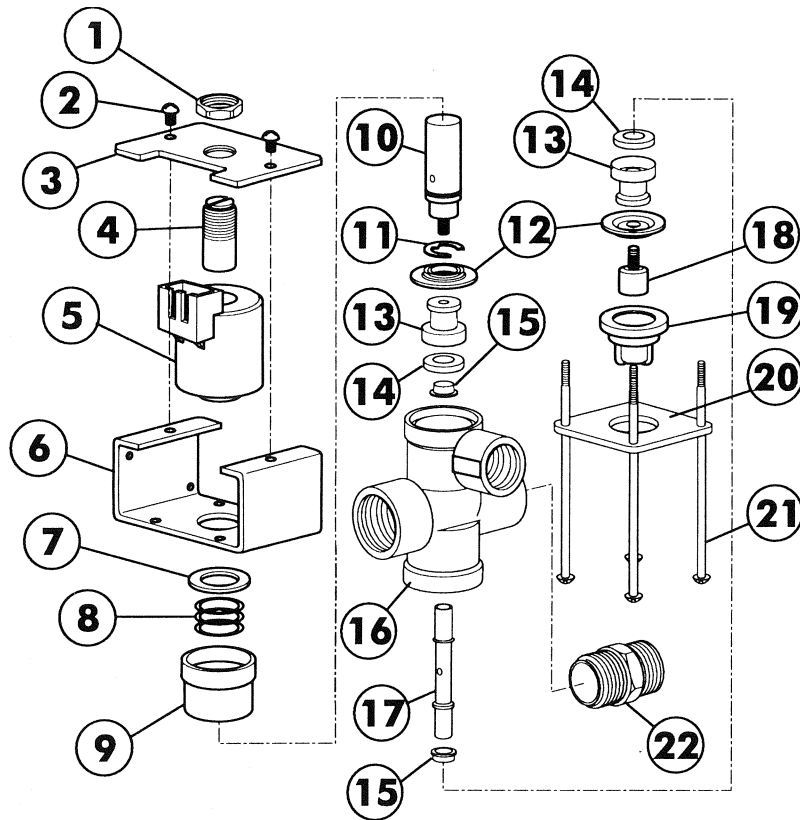
REF	PART NO.	DESCRIPTION	QTY
1	92-0045	Hose Clamp, 3/4 Hose	22
2	40506	Jumper Hose, 3/4 x 19"	8
3	41340	Boom Hose (Right & Left) 3/4 x 50"	2
4	42274	Boom Hose (Center) 3/4 x 36"	1
5	42282	Extension Boom Pipe Assy	2
6	40493	Center Boom Pipe	1
7	41001	Nozzle Body & Check Valve (Double Barb)	6
8	41002	Nozzle Body & Check Valve (Triple Barb)	1
9	41000	Nozzle Body & Check Valve (Single Barb)	4
	41003	Diaphragm (f/w 41000, 41001 & 41002)	AR
10	40999	Clamp Assy	11
11	40997	Adaptor Cap & Seat Gasket Assy	11
	40998	Seat Gasket (f/w 40997)	AR
12	40444	RA-10 Raindrop Nozzle (Std.)	11
	40223	RA-15 Raindrop Nozzle (Optional)	11
	41088	RA-6 Raindrop Nozzle (Optional)	11
	42828	RA-8 Raindrop Nozzle (Optional)	11
	92-3977	RA-4 Raindrop Nozzle (Optional)	11



**CONTROL CONSOLE (3000)**

REF	PART NO.	DESCRIPTION	QTY
1	42933	12-10 AWG Female Terminal	2
2	42934	16-14 AWG Female Terminal	1
3	42932	Insulated Female Terminal	3
4	93-1028	Solenoid Valve Ass'y	1
	93-1027	Single Solenoid	3
5	42936	Control Valve	1
6	42931	Male Fitting	1
7	42930	Tubing	1
8	42935	72" Cable Assy (Solenoid Hook-Up)	1
9	42929	Union Fitting	2
10	41276	Push-On Terminal, 5/16	1
11	92-3716	Ring Terminal, 5/16	1
12	42928	96" Cable Assy (Enclosure Hook-Up)	1
13	92-3733	72" Extension Cable Assy.	1
14	92-3679	Console Mtg. Bracket	1
15	42920	Mounting Bracket	1
16	34-140-AMVD	Hex Washer Hd. Self-Tap Screw, 1/4 NC x 5/8	2
17	42922	Knob	2
18	24-9-AD	Flatwasher, 1/4	2
19	22-11-AJD	Hex Nut, 1/4 NC	2
20	41230	Hose Clamp	1
21	42923	Master Switch	1
22	42921	Boom Switch	3
23	42924	Pressure Gauge (PSI)	1
24	42925	Fuse Holder	1
	42926	15-AMP Fuse	1
25	42927	Pressure Adjust Switch	1
26	42937	Console	1
	42764	20-AMP Fuse (For Fuse Block)	1
†	93-1042	Female Gauge Fitting	1

\* Indicates fasteners included with the vehicle.



### SOLENOID VALVE (93-1027)

Ref	Part No.	Description	Qty
1	92-0358	Jam Nut, Nickel Plated	1
2	42126	Screw - Stainless Steel	2
3	92-0359	Coil Cover, Steel Epoxy Painted	1
4	93-1029	Armature Stop, Nickel Plated	1
5	92-0361	Coil Assembly, Nylon Encapsulated	1
6	92-0362	Strap, Steel Epoxy Painted	1
7	92-0363	Washer, Type 302 Stainless Steel	1
8	*	Spring, Type 302 Stainless Steel	1
9	93-1031	Upper Diaphragm Housing (Black)	1
10	93-1032	Armature, Nickel Plated	1
11	92-0366	Retaining Ring, Nickel Plated	1

Ref	Part No.	Description	Qty
12	*	Diaphragm, Viton	2
13	93-1034	Seat Washer Retainer, S.S.	2
14	*	Seat Washer, Viton	2
15	42136	Spacer, Stainless Steel	2
16	93-1035	Body, Polypropylene (NPT)	1
17	93-1036	Stem, Stainless Steel	1
18	92-0367	Lower Diaphragm Piston, S.S.	1
19	93-1037	Lower Diaphragm Housing, Nylon	1
20	93-1038	Bottom Plate, Steel-Epoxy Painted	1
21	93-1039	Screw - Stainless Steel	4
22	42884	Connecting Nipple, Nylon	AR

\* Items are included in Spare Parts Kit 93-1040