



Count on it.

Parts Catalog

**STX-26
Stump Grinder**

Model No. 23208G—Serial No. 417200000 and Up



Ordering Replacement Parts

To order replacement parts, please supply the part number, the quantity, and the description of each part desired.

Understanding Reference Numbers

Each identified part in an illustration has a reference number. The reference number for a part also appears in the parts list, along with other information about the part.

This catalog uses two special reference number formats, one to indicate parts in a service assembly and another to indicate the quantity of a given part in an illustration.

Service Assembly Reference Numbers

Parts in service assemblies have reference numbers in the form a:b. The a represents the reference number of the entire service assembly and the b represents a sequential number unique to each part within the service assembly.

For example, a wheel assembly might be identified by reference number 6, the tire by 6:1, the valve by 6:2, and the wheel by 6:3. When you order the assembly identified by reference number 6, you receive all parts identified by reference numbers 6:1, 6:2, and 6:3. However, you may also order any part individually. Reference numbers of this type appear in illustration and in parts lists.

Reference Numbers Indicating Quantity

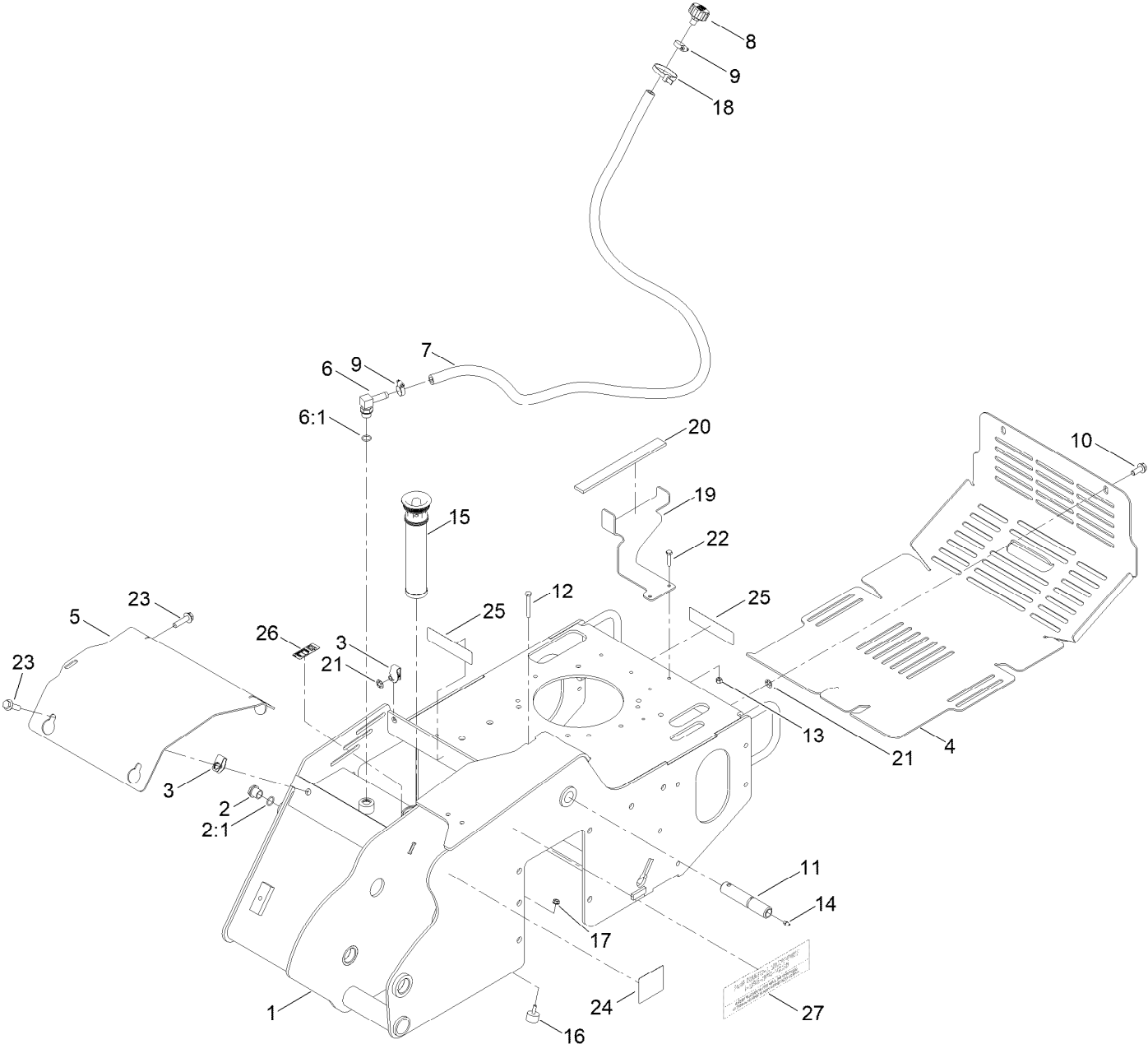
In an illustration, if a reference number indicates more than one part, the reference number has the form nX y. The n represents the quantity of the part, the X is the multiplication symbol, and the y represents the reference number.

For example, in an illustration, the reference number 2X 37 means that two of the parts identified by reference number 37 are indicated.

Contents

Main Frame Assembly	4
Track and Drive Assembly	6
Hydraulic Pump Assembly No. 117-6409	8
Hydraulic Pump Assembly No. 117-6410	9
Hydraulic Motor Assembly No. 119-4557	10
Engine Assembly	12
Hydraulic Gear Pump Assembly No. 117-6444	14
Control Assembly	16
Frame and Cutter Wheel Assembly	18
Hydraulic Cylinder Assembly No. 117-6441	20
Hydraulic Cylinder Assembly No. 121-1955	22
Hydraulic Motor Assembly No. 161-6872	24
Control Tower Assembly	26
Control Valve Assembly	28
Control Valve Assembly No. 119-4585	30
Cutter Wheel Valve Assembly No. 163-5250	32
Two-Button Handle Grip Assembly No. 119-4587	34
Oil Cooler Assembly	36
Hydraulic Hose Routing Assembly	38
Battery and Electrical Assembly	40
Attachments and Accessories	42

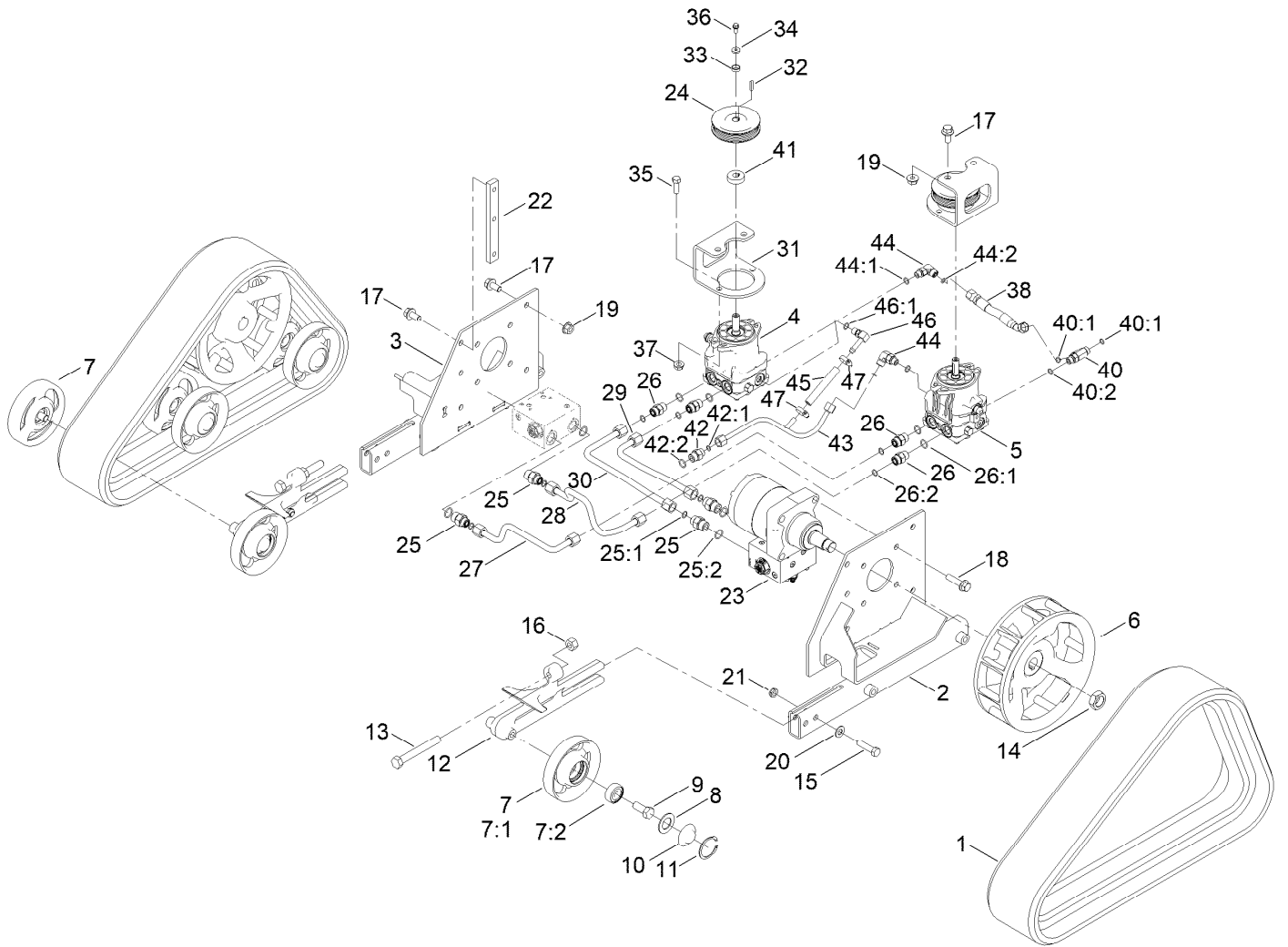
Main Frame Assembly



Main Frame Assembly (continued)

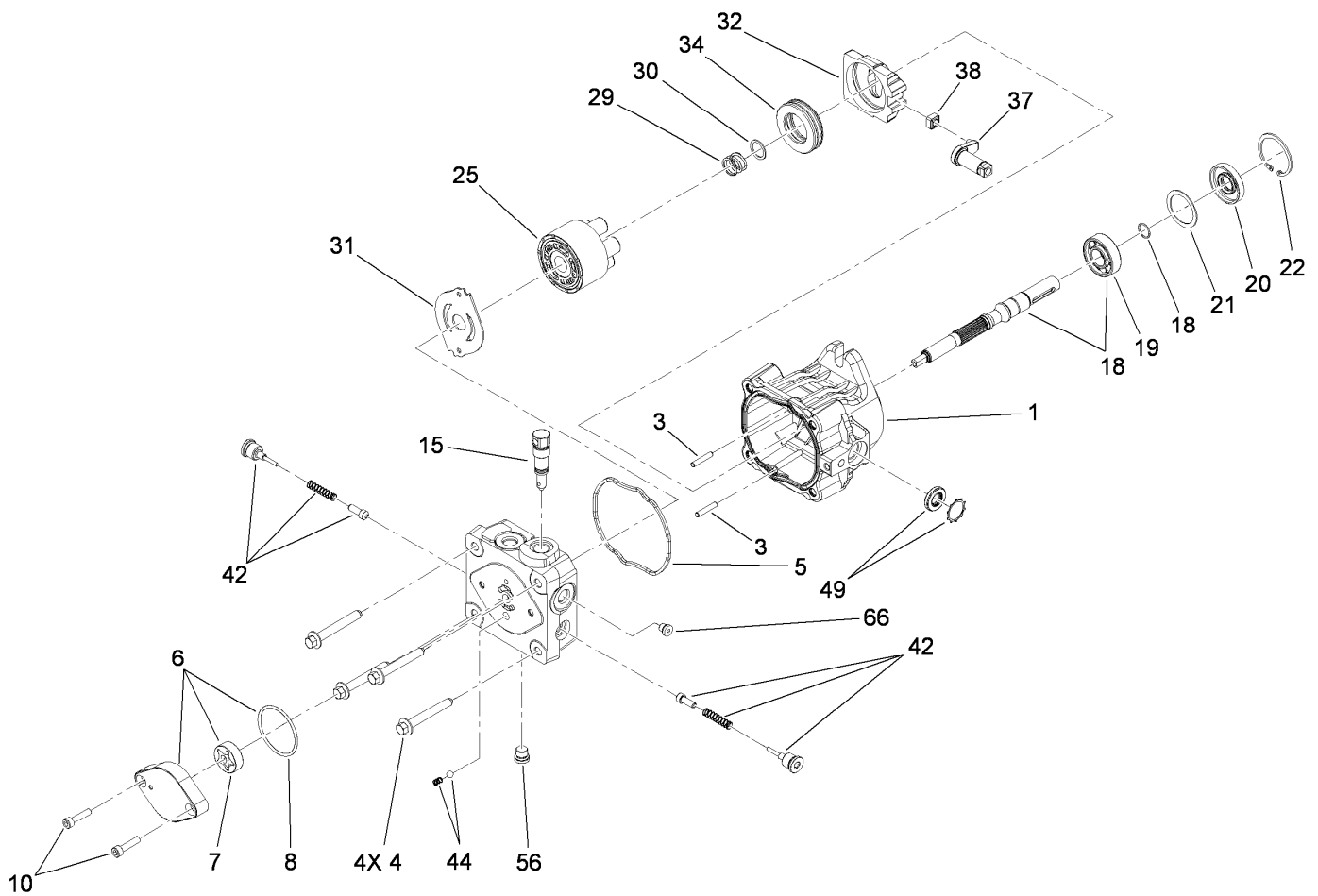
<i>Ref.</i>	<i>Part Number</i>	<i>Qty.</i>	<i>Description</i>	<i>Ref.</i>	<i>Part Number</i>	<i>Qty.</i>	<i>Description</i>
1	127-9600-07	1	Main Frame ASM, [505-164]	14	302-5	1	Fitting-Grease
2	114-3075	1	Sight Glass ASM	15	114-3039	1	Filter-Tank, In
2:1	237-79	1	O-Ring	16	1-523420	1	Bumper
3	140-1146	5	Nut-Clip, U	17	32128-33	1	Nut-HF
4	119-5106-01	1	Cover-Rear	18	3334-945	1	Tie-Cable
4	119-5106-07	1	Cover-Rear	19	119-5091-01	1	Bracket-Tank
5	119-4566-05	1	Plate-Cover,Front	19	119-5091-07	1	Bracket-Tank
6	354-120	1	Fitting-Elbow, 90	20	117-6417	1	Pad-Foam
6:1	237-79	1	O-Ring	21	140-1144	5	Nut-Push
7	114-3042	1	Hose-Breather	22	321-8	2	Screw-HH
8	68-6150	1	Breather	23	33105-040	3	Screw-HHF
9	2412-36	2	Clamp-Hose	24	100-4650	1	Decal-Warning
10	108-1531	2	Screw-HHF	25	93-7814	2	Decal-Danger
11	120-7352	1	Pin-Pivot	26	93-6686	1	Decal-Oil, HYD
12	321-18	1	Screw-HH	27	131-0715	1	Decal-Cper0002
13	3296-42	3	Nut-Lock, NI				

Track and Drive Assembly



Track and Drive Assembly (continued)

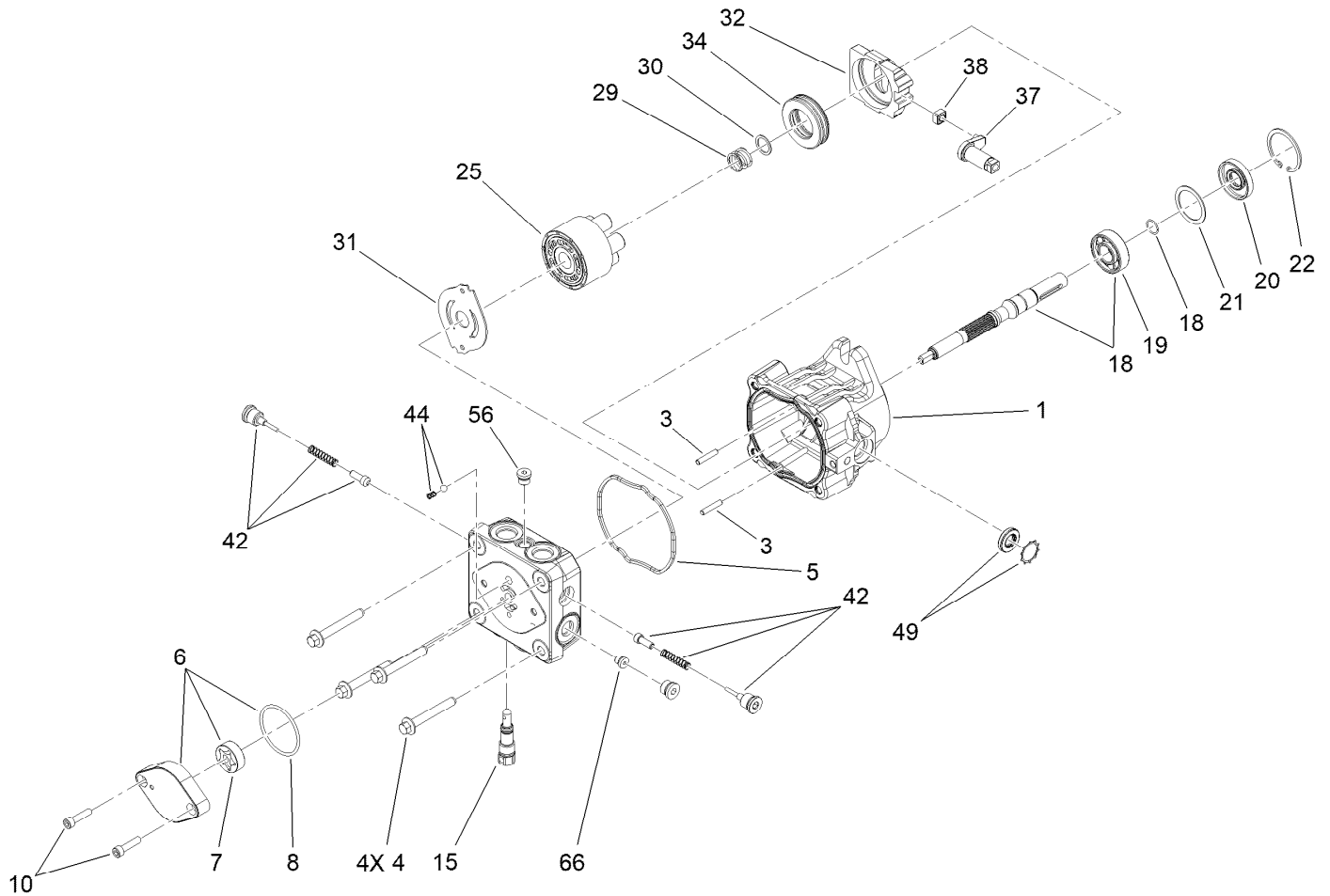
<i>Ref.</i>	<i>Part Number</i>	<i>Qty.</i>	<i>Description</i>	<i>Ref.</i>	<i>Part Number</i>	<i>Qty.</i>	<i>Description</i>
1	112-4816	2	Track-Rubber	26	340-4	4	Fitting-Straight
2	114-2992-05	1	LH Track Frame ASM	26:1	237-30	1	O-Ring
3	114-2993-05	1	RH Track Frame ASM	26:2	237-79	1	O-Ring
4	117-6409	1	RH HYD Pump ASM	27	119-4581	1	Tube-HYD
5	117-6410	1	LH HYD Pump ASM	28	119-4582	1	Tube-HYD
6	117-6426-05	2	Wheel-Drive (Machined)	29	119-4583	1	Tube-HYD
7	138-3139	12	Tensioner Wheel ASM	30	119-4584	1	Tube-HYD
7:1	138-7118	1	Wheel-Track	31	115-1289-05	2	Bracket-Mount,Pump
7:2	120-5378	1	Bearing-Ball	32	80-6090	2	Key-Pump
8	106-7585	12	Gasket-Bogie	33	108-4211	2	Bushing
9	327-4	12	Screw-HH	34	73-3580	2	Washer
10	106-7557	12	Cap-Wheel, Bearing	35	324-5	4	Screw-HH
11	106-7595	12	Ring-Snap, Internal	36	33103-016	2	Screw-HHF
12	114-3077-05	2	Tensioner-Track, (Machined)	37	32128-42	4	Nut-HF
13	112-4874	2	Screw-HH, TAP	38	115-1297	1	Hose-HYD
14	106-8159	2	Nut-Hex Jam Lck	40	340-86	1	Fitting-Tee
15	325-8	4	Screw-HH	40:1	237-22	2	O-Ring
16	3217-11	2	Nut-Hex	40:2	237-42	1	O-Ring
17	3234-6	14	Screw-HHF	41	115-4002	2	Spacer
18	3234-27	8	Screw-HHF	42	340-3	1	Fitting-Straight
19	32128-49	8	Nut-HHF	42:1	237-22	1	O-Ring
20	3256-26	4	Washer-Flat	42:2	237-79	1	O-Ring
21	3296-45	4	Nut-Hex	43	117-1305	1	Tube-HYD
22	114-3091	2	Bar-Thread	44	340-77	2	Fitting-Elbow, 90 DEG
23	119-4557	2	HYD Motor ASM	44:1	237-22	1	O-Ring
24	115-1298	2	Sheave	44:2	237-42	1	O-Ring
25	340-6	4	Fitting-Straight	45	115-4083	1	Hose
25:1	237-30	1	O-Ring	46	100-4887	1	Fitting-Elbow, 90
25:2	237-80	1	O-Ring	46:1	237-42	1	O-Ring
				47	2412-36	2	Clamp-Hose



Hydraulic Pump Assembly No. 117-6409

Ref.	Part Number	Qty.	Description	Ref.	Part Number	Qty.	Description
1	115-4464	1	Housing Kit	29	94-1936	1	Spring-Block
3	106-8753	2	Pin-Headless, Straight	30	94-1937	1	Washer-Thrust
4	106-8754	4	Bolt-HF	31	105-6185	1	Plate-Valve
5	106-8755	1	O-Ring	32	94-1907	1	Swashplate-Variable
6	106-8756	1	Charge Pump Kit	34	94-6922	1	Bearing-Thrust
7	104-2122	1	Gerotor ASM	37	115-4458	1	Arm-Trunnion, Tapered Square
8	106-8757	1	O-Ring	38	94-1910	1	Guide-Slot
10	104-2111	2	Capscrew	42	98-3252	2	Valve-Check (W/Poppet)
15	106-8759	1	Bypass Valve Kit	44	106-8760	1	Charge Relief Valve Kit
18	103-2664	1	Input Shaft Kit	49	114-8155	1	Trunnion Seal Kit
19	104-5311	1	Bearing-Ball	56	106-8762	1	Plug-HSH
20	104-5310	1	Seal-Lip	66	106-8763	1	Plug-HSH
21	104-5308	1	Spacer	99	105-6184	1	Kit-Pump Seal Overhaul ●
22	104-5309	1	Ring-Retaining				
25	103-2666	1	Cylinder Block Kit				

● Not illustrated



Hydraulic Pump Assembly No. 117-6410

Ref.	Part Number	Qty.	Description	Ref.	Part Number	Qty.	Description
1	115-4464	1	Housing Kit	29	94-1936	1	Spring-Block
3	106-8753	2	Pin-Headless, Straight	30	94-1937	1	Washer-Thrust
4	106-8754	4	Bolt-HF	31	105-6185	1	Plate-Valve
5	106-8755	1	O-Ring	32	94-1907	1	Swashplate-Variable
6	106-8756	1	Charge Pump Kit	34	94-6922	1	Bearing-Thrust
7	104-2122	1	Gerotor ASM	37	115-4458	1	Arm-Trunnion, Tapered Square
8	106-8757	1	O-Ring	38	94-1910	1	Guide-Slot
10	104-2111	2	Capscrew	42	98-3252	2	Valve-Check (W/Poppet)
15	106-8759	1	Bypass Valve Kit	44	106-8760	1	Charge Relief Valve Kit
18	103-2664	1	Input Shaft Kit	49	114-8155	1	Trunnion Seal Kit
19	104-5311	1	Bearing-Ball	56	106-8762	1	Plug-HSH
20	104-5310	1	Seal-Lip	66	106-8763	1	Plug-HSH
21	104-5308	1	Spacer	99	105-6184	1	Kit-Pump Seal Overhaul ●
22	104-5309	1	Ring-Retaining				
25	103-2666	1	Cylinder Block Kit				

● Not illustrated

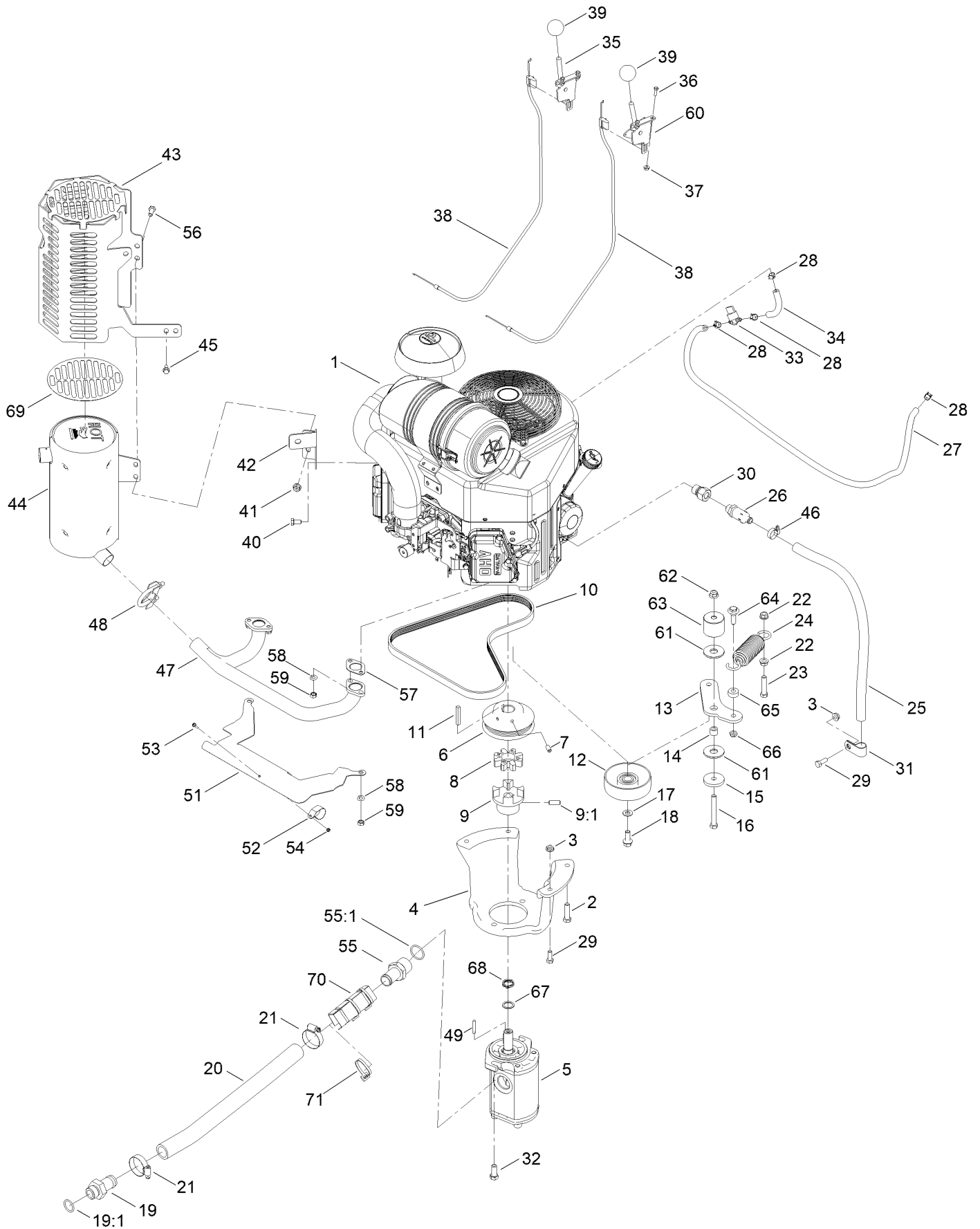
Hydraulic Motor Assembly No. 119-4557 (continued)

<i>Ref.</i>	<i>Part Number</i>	<i>Qty.</i>	<i>Description</i>	<i>Ref.</i>	<i>Part Number</i>	<i>Qty.</i>	<i>Description</i>
1	119-4599	1	Counterbalance Valve ASM	7	100-6131	1	Seal Kit ●
1:1	119-4608	2	Valve-Cartridge	7:1		1	Ring-Back Up ■
2	119-4611	4	Bolt-HSH	7:2		1	Washer-Back Up ■
3	3257-42	1	Key-Woodruff	7:3		1	Seal-Shaft ■
4	120-0691	2	O-Ring	7:4		5	Seal-Ring ■
5	76-0860	1	Shaft-Coupling	7:5		1	Seal-Commutator ■
6	120-5394	1	Motor Housing ASM	7:6		1	Seal-Dirt And Water ■

● Not illustrated

■ Not serviced separately

Engine Assembly



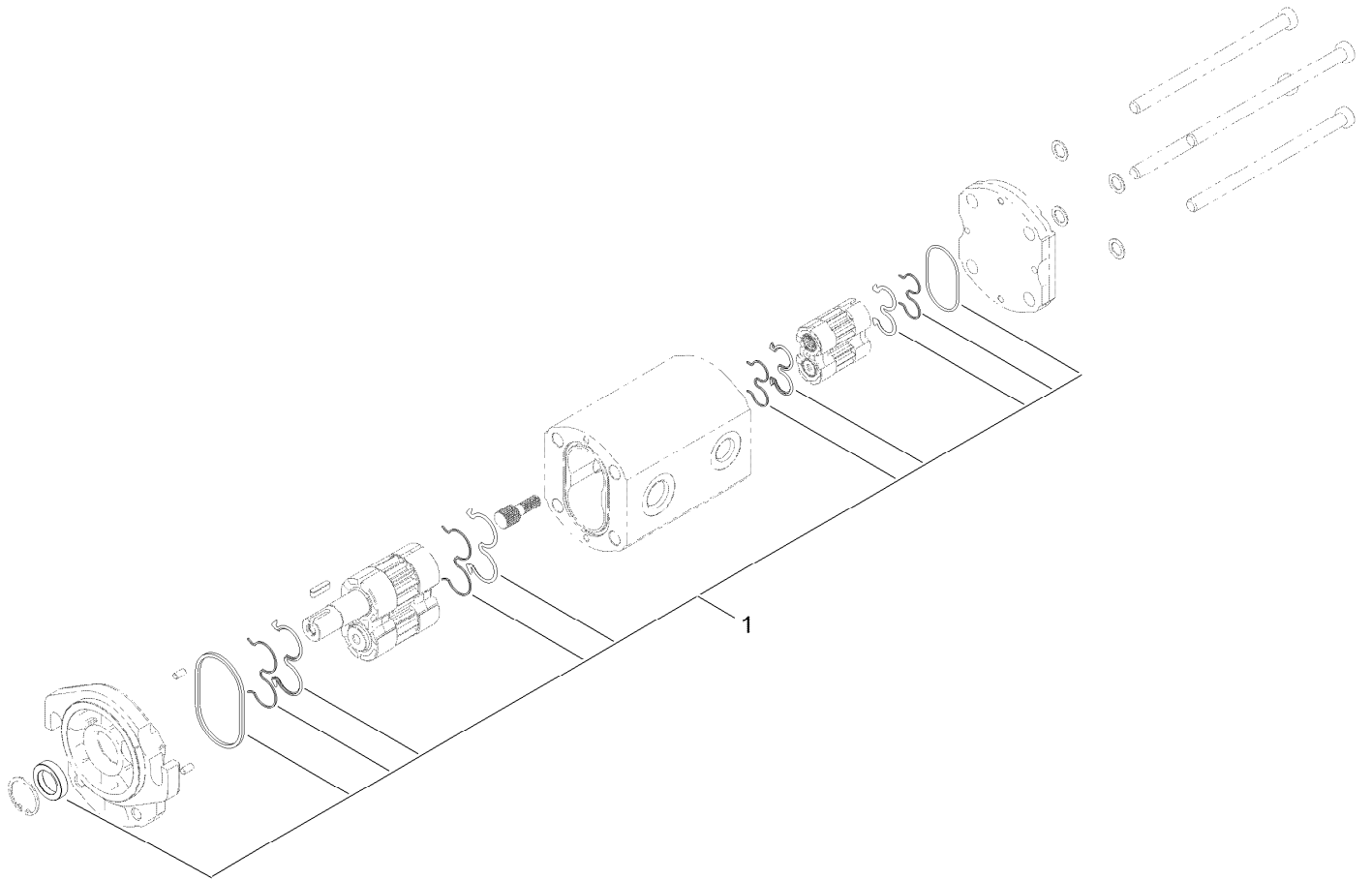
Engine Assembly (continued)

<i>Ref.</i>	<i>Part Number</i>	<i>Qty.</i>	<i>Description</i>	<i>Ref.</i>	<i>Part Number</i>	<i>Qty.</i>	<i>Description</i>
1		1	Engine-Kawasaki, Fx730V ●■	35	108-9730	1	Lever-Control
2	323-8	4	Screw-HH	36	3290-134	4	Screw
3	32128-20	3	Nut-HF	37	32128-17	4	Nut-Lock, Flange
4	115-1480-03	1	Mount-Pump	38	115-1211	2	Cable-Control
5	117-6444	1	Gear Pump ASM	39	233-42	2	Knob
6	145-3291	1	Pulley-Engine,	40	33114-016	2	Screw-HH
7	3246-6	2	Screw-Set, HSH	41	112-2844	3	Nut-HF
8	93-8827	1	Coupler-Spider	42	115-9233-05	1	Bracket-Mount, Muffler
9	114-2933	1	Coupler-Flex	43	137-4879-05	1	Guard-Muffler [blk-Txt]
9:1	105-4068	1	Screw-Set, Cphs	44	120-7536	1	Muffler
10	114-2991	1	Belt-V	45	33103-016	1	Screw-HHF
11	608006	1	Key-Square	46	2412-36	1	Clamp-Hose
12	95-8802	1	Pulley-Idler	47	120-7535	1	Manifold, Muffler
13	125-0252	1	Arm-Idler	48	2112-11	1	Clamp-Muffler
14	1-413088	1	Bushing-Lever, Lift	49	27-8590	1	Key-Square
15	110-9981	1	Washer-Plain	51	115-9227	1	Plate-Shield, Heat
16	323-14	1	Screw-HH	52	115-6488	1	Clamp
17	3256-24	1	Washer-Plain	53	115-6494	1	Screw-Pan
18	3234-11	1	Screw-HHF	54	115-6495	1	Nut-Hex
19	99-3017	1	Fitting	55	354-78	1	Fitting-STR
19:1	237-81	1	O-Ring	55:1	237-146	1	O-Ring
20	114-2917	1	Hose-Suction	56	33114-020	3	Screw-HH
21	2412-111	2	Clamp-Hose, W/Liner	57	1-653313	2	Gasket-Exhaust
22	3290-357	2	Nut-HSF	58	115-6496	4	Washer-Spring
23	323-9	1	Screw-HH	59	115-6611	4	Nut-Hex
24	121-4523	1	Spring-Extension	60	110-5547	1	Lever-Control
25	99-1356	1	Hose-Vent	61	114-0463	2	Washer-Friction, Composite
26	92-6877	1	Valve-Drain, Oil	62	104-8301	1	Nut-HF, NI
27	110-3372	1	Hose-Fuel	63	125-0251	1	Spacer-Idler
28	2412-98	4	Clamp-Hose	64	614672	1	Screw-Shoulder, HWH
29	322-4	3	Screw-HH	65	104-8426	1	Spacer
30	103-1966	1	Adapter-STR	66	3296-59	1	Nut-Lock, NI
31	2412-81	1	Clamp-R	67	115-7210	1	Washer-Thrust
32	324-4	2	Screw-HH	68	121-4517	1	Washer-Wave
33	1-603770	1	Valve-Fuel	69	131-0604	1	Guard-Foil
34	109-0295	1	Hose-Fuel	70	AU112950	2	Protector-Hose
				71	3290-378	3	Tie-Cable

● Not serviced separately

■ Obtain parts from www.kawpower.com

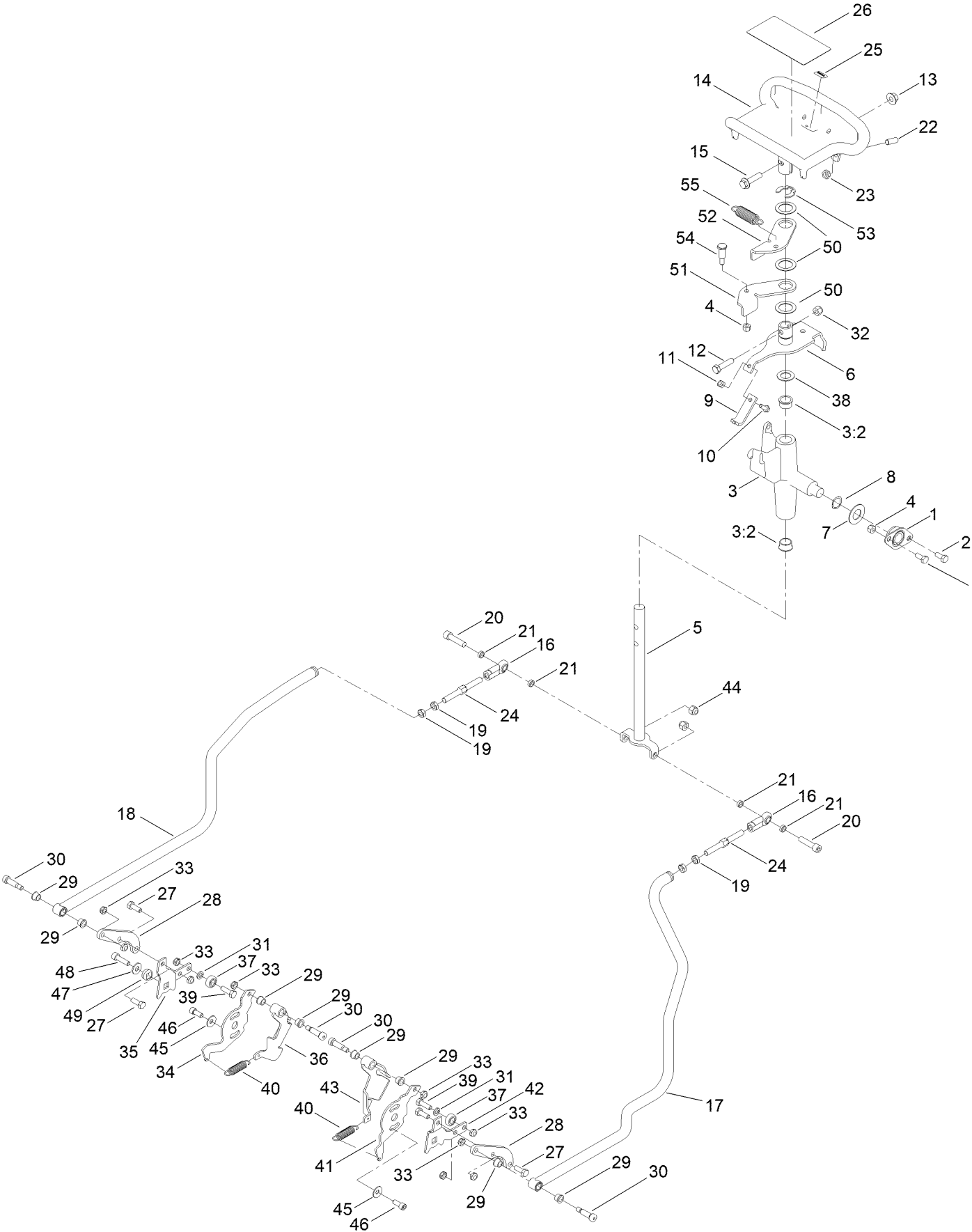
Hydraulic Gear Pump Assembly No. 117-6444



Hydraulic Gear Pump Assembly No. 117-6444 (continued)

<i>Ref.</i>	<i>Part Number</i>	<i>Qty.</i>	<i>Description</i>
1	138-5210	1	Kit-Seal, Pump

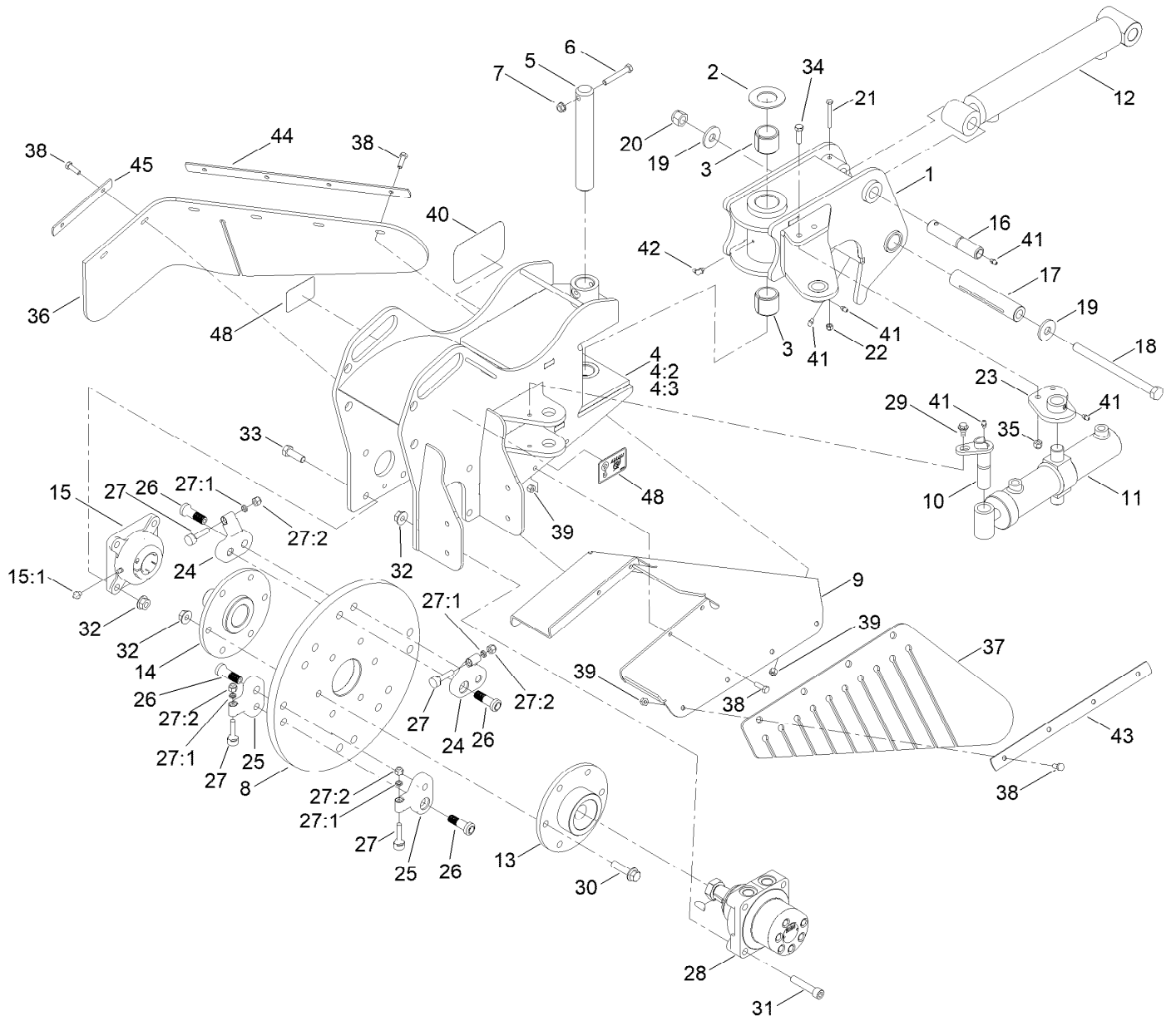
Control Assembly



Control Assembly (continued)

<i>Ref.</i>	<i>Part Number</i>	<i>Qty.</i>	<i>Description</i>	<i>Ref.</i>	<i>Part Number</i>	<i>Qty.</i>	<i>Description</i>
1	27-2320	2	Bearing	28	115-1290	2	Plate-Adapter, Control, RH
2	322-3	4	Screw-HH	29	256-116	8	Bushing-Flange
3	106-5737	1	Control Support ASM	30	114-8629	4	Bolt-Shldr
3:2	256-252	2	Bearing-Flange	31	3253-4	2	Washer-Lock
4	3296-29	6	Nut-Lock, NI	32	3296-39	1	Nut-Lock, NI
5	117-6335	1	Rod-Drive	33	3296-47	10	Nut-Lock,NI
6	112-2783	1	Lever-Pivot	34	115-6535	1	Plate-Base, RH
7	3256-39	2	Washer-Flat	35	115-6536	1	Plate-Arm, Return
8	95-3703	2	Washer-Spring, Wave	36	115-6636	1	Pivot-RH
9	115-1204	1	Plate-Neutral	37	251-259	2	Bearing-Ball
10	321-4	1	Screw-HH	38	257-8	1	Washer-Thrust
11	3296-42	1	Nut-Lock, NI	39	322-5	2	Screw-HH
12	323-8	1	Screw-HH	40	121-4409	2	Spring-Extension
13	32128-43	1	Nut-Flange	41	115-6549	1	Plate-Base, LH
14	120-5380-05	1	Handle-Control [blk-Txt]	42	115-6628	1	Plate-Arm, Return, LH
15	3234-18	1	Screw-HHF	43	115-6637	1	Pivot-LH
16	103-1167	2	Joint-Ball End, LH	44	3296-39	2	Nut-Lock, NI
17	121-4511	1	Rod-Control, LH	45	3290-456	2	Washer-Belleville
18	121-4512	1	Rod-Control, RH	46	3273-14	2	Screw-HSH
19	3220-3	4	Nut-HJ	47	3256-3	2	Washer-Flat
20	3274-2	2	Screw-HSH	48	94-3559	2	Screw-HSH
21	108-0634	4	Spacer-Plate, Retaining	49	117-6429	2	Lock-Trunion
22	3247-6	2	Screw-Set	50	108-9743	3	Washer-Plain
23	3218-3	2	Nut-Jam	51	98-8407	1	Lever-Return, RH
24	121-4506	2	Link-Control, Adjustment	52	98-8408	1	Lever-Return, LH
25	98-1459	1	Decal	53	32151-91	1	Ring-Retaining
26	115-4020	1	Decal-Traction	54	63-2650	2	Screw-Shoulder
27	322-4	4	Screw-HH	55	108-4724	1	Spring-Extension

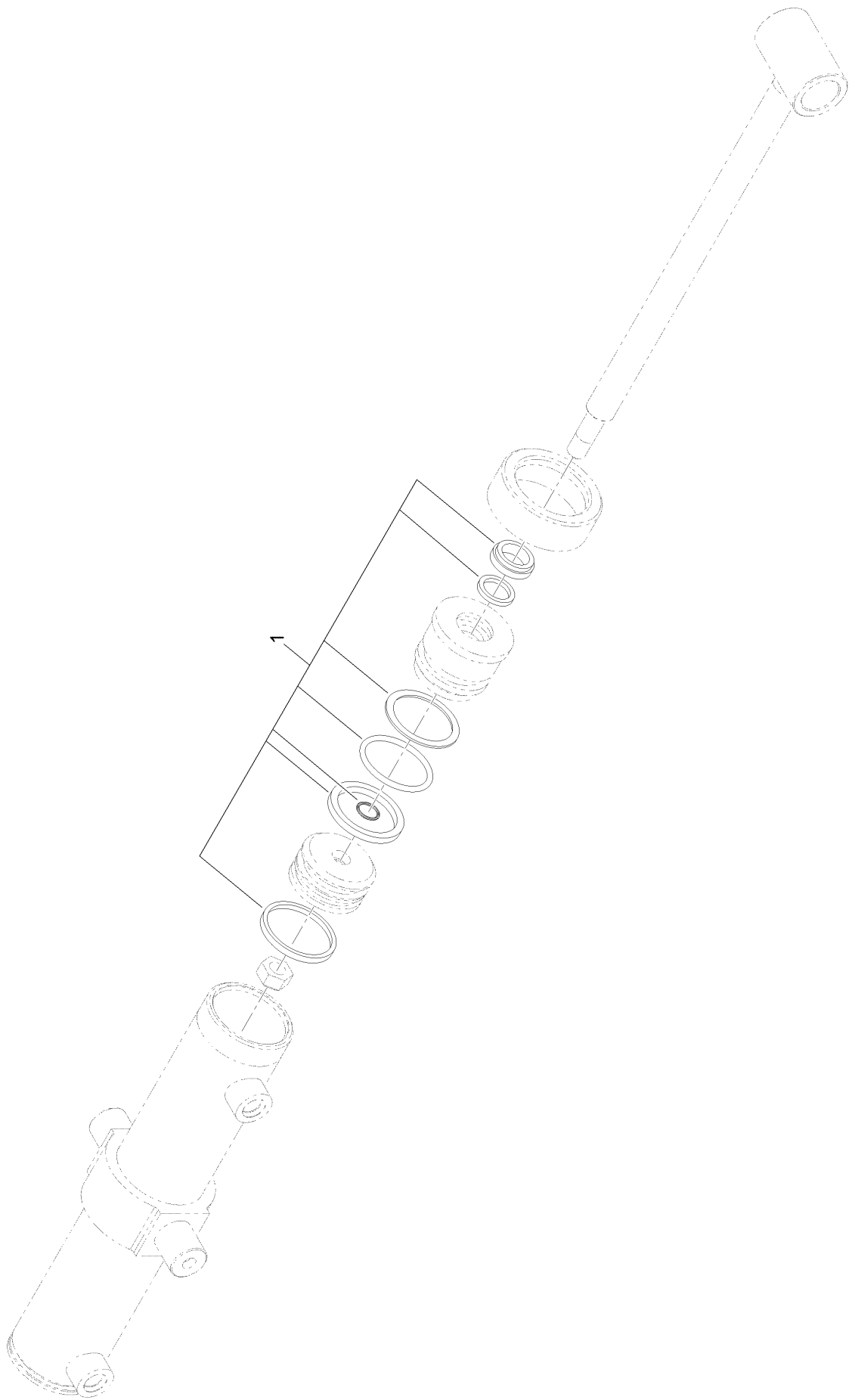
Frame and Cutter Wheel Assembly



Frame and Cutter Wheel Assembly (continued)

<i>Ref.</i>	<i>Part Number</i>	<i>Qty.</i>	<i>Description</i>	<i>Ref.</i>	<i>Part Number</i>	<i>Qty.</i>	<i>Description</i>
1	117-6390-01	2	Pivot	24	115-9384	8	Pocket-Angled
2	99-2707	1	Washer	25	115-9388	4	Pocket-Straight
3	99-2713	2	Bushing-Tension	26	115-9386	12	Bolt-HSH, RH
4	119-4612	2	Frame ASM	27	115-9385	12	Grinder Tooth ASM
4:2	107-9366	1	Decal-Warning	27:1	3296-39	1	Nut-Lock, NI
4:3	93-7321	1	Decal-Danger	27:2	121-4365	1	Spacer-Tooth
5	117-6445	1	Pin-Pivot	28	161-6872	1	HYD Motor ASM
6	323-47	1	Screw-HH	29	99-5105	1	Screw-Shoulder
7	3290-357	1	Nut-HSF	30	3234-27	6	Screw-HHF
8	119-5050-05	1	Wheel-Cutter	31	3274-71	4	Screw-HSH
9	119-5064-05	1	Shield-Grinder	32	32128-49	14	Nut-HHF
10	94-9797	1	Pin-Pivot	33	325-6	4	Screw-HH
11	117-6441	1	HYD Cylinder ASM	34	323-7	2	Screw-HH
12	121-1955	1	HYD Cylinder ASM	35	3296-39	2	Nut-Lock, NI
13	119-4570-03	1	Hub-Drive	36	119-5060	1	Shield-Rubber, RH
14	115-9395-03	1	Shaft-Stub	37	119-5061	1	Shield-Rubber, LH
15	104-2026	1	Bearing	38	322-5	14	Screw-HH
15:1	302-2	1	Fitting-Grease	39	3296-29	14	Nut-Lock, NI
16	120-7352	1	Pin-Pivot	40	104-3989	1	Decal
17	121-4571	1	Spacer-Pivot	41	302-5	5	Fitting-Grease
18	117-6327	1	Bolt-HH	42	302-40	1	Fitting-Grease, 90 DEG
19	104-9216	2	Washer-Hardened	43	119-5118-05	1	Strap-Retainer,LH
20	3296-53	1	Nut-Lock, NI	44	119-5119-05	1	Strap-Retainer,Rear
21	321-18	1	Screw-HH	45	119-5120-05	1	Strap-Retainer,RH
22	3296-42	1	Nut-Lock, NI	48	125-6139	2	Decal-Lift/Tie Down
23	115-9392-01	2	Mount-Cylinder				

Hydraulic Cylinder Assembly No. 117-6441



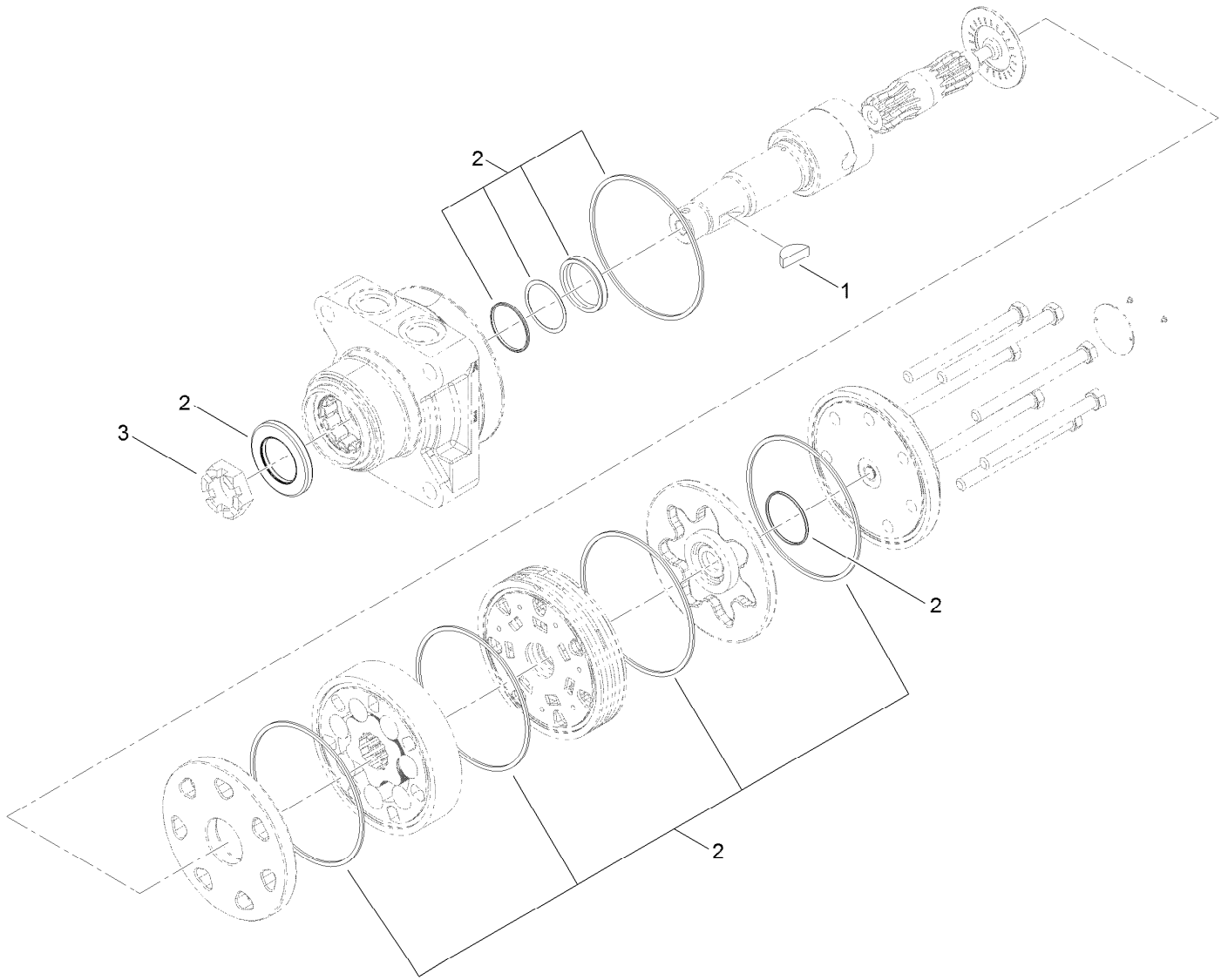
Hydraulic Cylinder Assembly No. 117-6441 (continued)

<i>Ref.</i>	<i>Part Number</i>	<i>Qty.</i>	<i>Description</i>
1	119-4632	1	Seal Kit

Hydraulic Cylinder Assembly No. 121-1955 (continued)

<i>Ref.</i>	<i>Part Number</i>	<i>Qty.</i>	<i>Description</i>
1	131-0665	1	Seal Kit

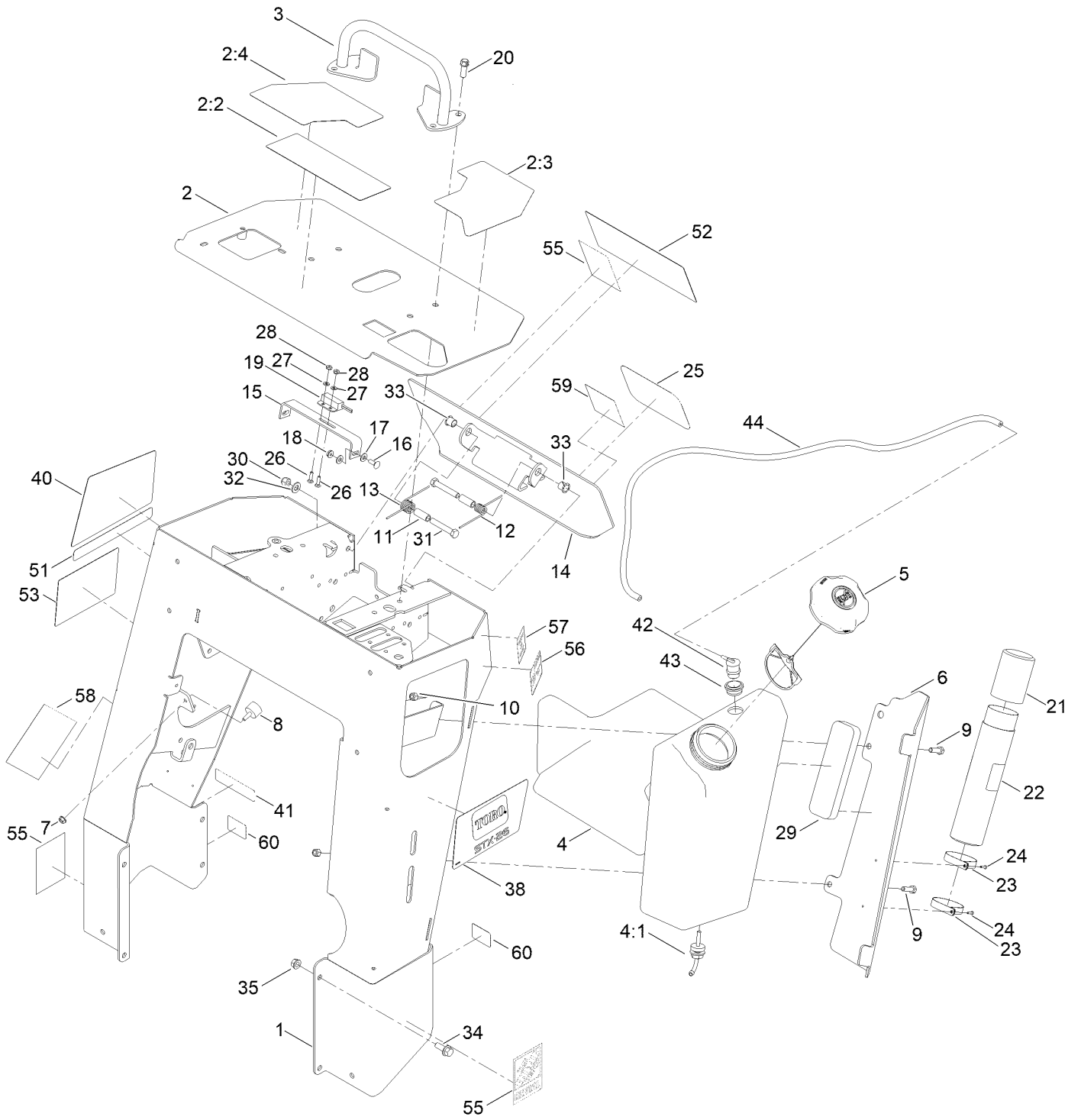
Hydraulic Motor Assembly No. 161-6872



Hydraulic Motor Assembly No. 161-6872 (continued)

<i>Ref.</i>	<i>Part Number</i>	<i>Qty.</i>	<i>Description</i>
1	3257-42	1	Key-Woodruff
2	119-4631	1	Seal Kit
3	106-8159	1	Nut-Hex Jam Lck

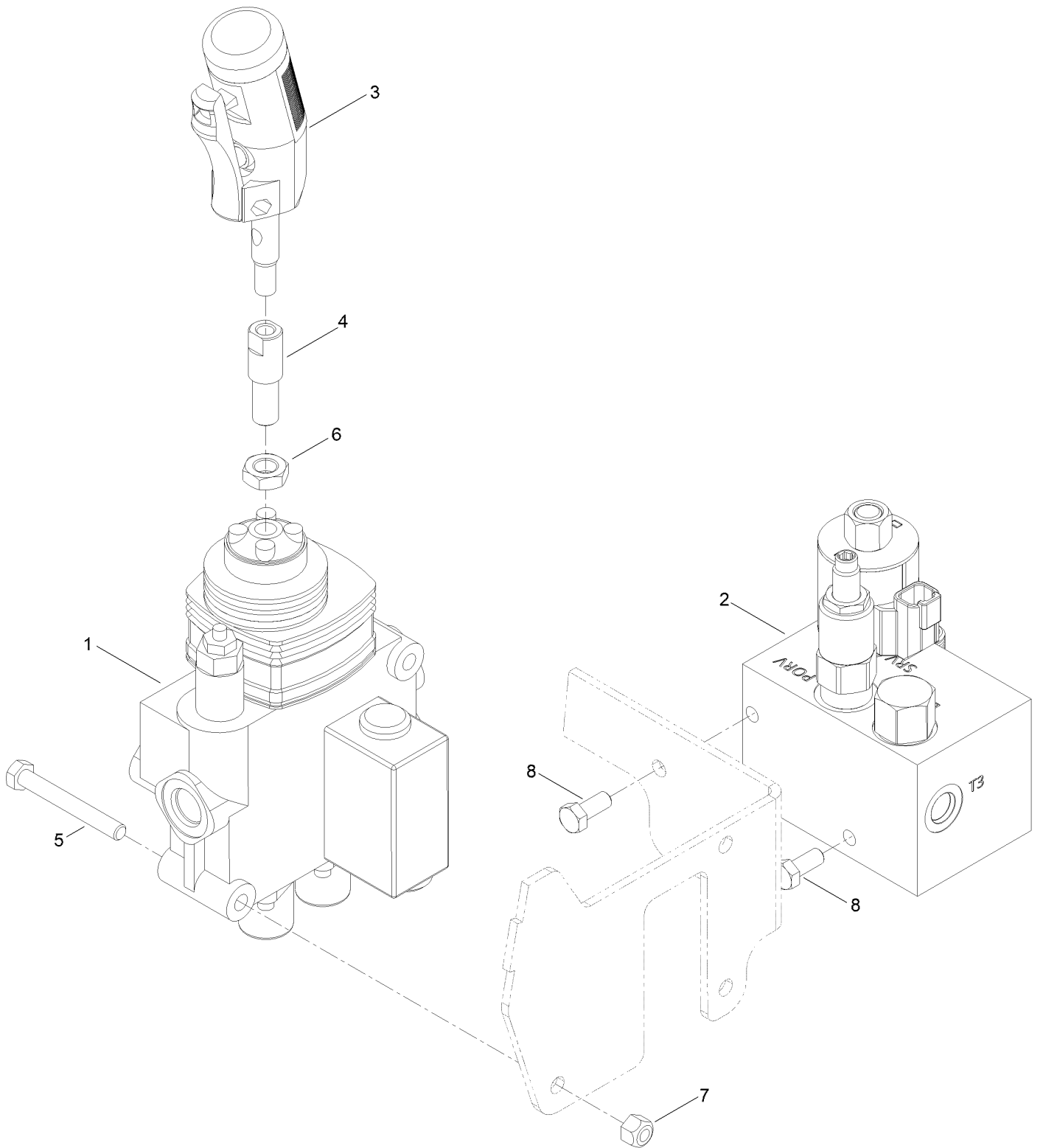
Control Tower Assembly



Control Tower Assembly (continued)

<i>Ref.</i>	<i>Part Number</i>	<i>Qty.</i>	<i>Description</i>	<i>Ref.</i>	<i>Part Number</i>	<i>Qty.</i>	<i>Description</i>
1	119-5100-01	2	Tower	24	3269-17	2	Rivet-Pop
2	119-4613	2	Control Panel ASM	25	105-1217	1	Decal
2:2	119-4606	1	Decal-Warning	26	3229-20	2	Screw-CARR
2:3	119-4560	1	Decal-Console, LH	27	3256-51	2	Washer-Flat
2:4	119-4561	1	Decal-Console, RH	28	32149-7	2	Nut-Keps
3	106-7715	1	Bar-Reference	29	107-7507	1	Pad-Foam
4	120-7359	1	Tank-Fuel	30	3296-39	2	Nut-Lock, NI
4:1	103-2605	1	Fitting-Fuel, Bulkhead	31	323-11	2	Screw-HH
5	137-4119	1	Cap-Fuel, Ratcheting	32	3256-24	2	Washer-Plain
6	119-5086-01	2	Bracket-Cover, Tank	33	256-257	2	Bushing-Nyliner
7	32128-33	1	Nut-HF	34	3234-11	8	Screw-HHF
8	1-523420	1	Bumper	35	32128-40	8	Nut-Flange
9	322-5	2	Screw-HH	38	119-4563	1	Decal-Side, LH
10	3296-29	2	Nut-Lock, NI	40	119-4565	1	Decal-Side, RH
11	114-1337	2	Spacer-Spring	41	133-8062	1	Decal-Spark Arrestor
12	98-8425	1	Spring-Torsion, LH	42	119-3547	1	Valve-Vent, Fuel
13	98-8424	1	Spring-Torsion, RH	43	114-0284	1	Grommet
14	112-2786-05	1	Reverse Plate ASM (Welded)	44	117-6395	1	Hose-Fuel
15	100-1263	1	Plate-Switch	51	130-7577	1	Decal-Intellisweep
16	3229-1	2	Screw-CARR	52	132-8763	1	Decal-S8Hsw4X10
17	3256-22	4	Washer-Flat	53	132-8762	1	Decal-Srvsw4X6
18	32149-2	2	Nut-Keps	55	145-3328	3	Decal- Rhvsg3X4
19	100-1270	1	Switch-Proximity	56	161-7275	1	Decal - Cper001
20	95-1726	4	Screw-Taptite	57	131-0716	1	Decal-Cper0003
21	104-7048	1	Cap-Housing	58	131-0714	1	Decal-Cper0001
22	104-7050	1	Tube-Manual	59	131-0720	1	Decal-Cper0811
23	2412-120	2	Clamp-R	60	147-6707	2	Decal-Lift, Tie Down

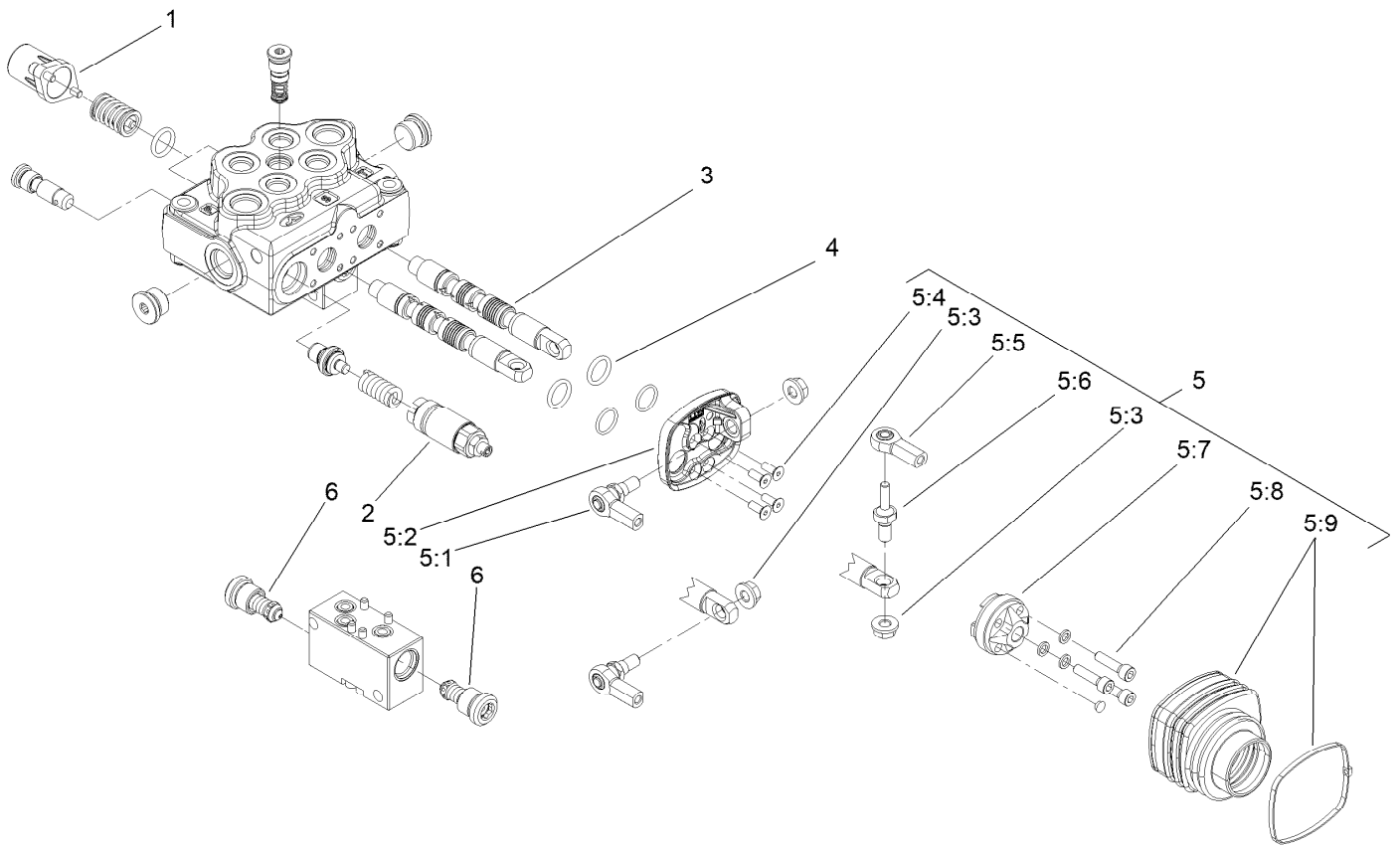
Control Valve Assembly



Control Valve Assembly (continued)

<i>Ref.</i>	<i>Part Number</i>	<i>Qty.</i>	<i>Description</i>	<i>Ref.</i>	<i>Part Number</i>	<i>Qty.</i>	<i>Description</i>
1	119-4585	1	HYD Valve ASM	5	322-12	3	Screw-HH
2	163-5250	1	Cutter Wheel Valve ASM	6	51-2070	1	Nut
3	119-4587	1	Two Button Handle Grip ASM	7	3296-29	3	Nut-Lock, NI
4	119-5103	1	Adapter-Handle	8	322-3	2	Screw-HH

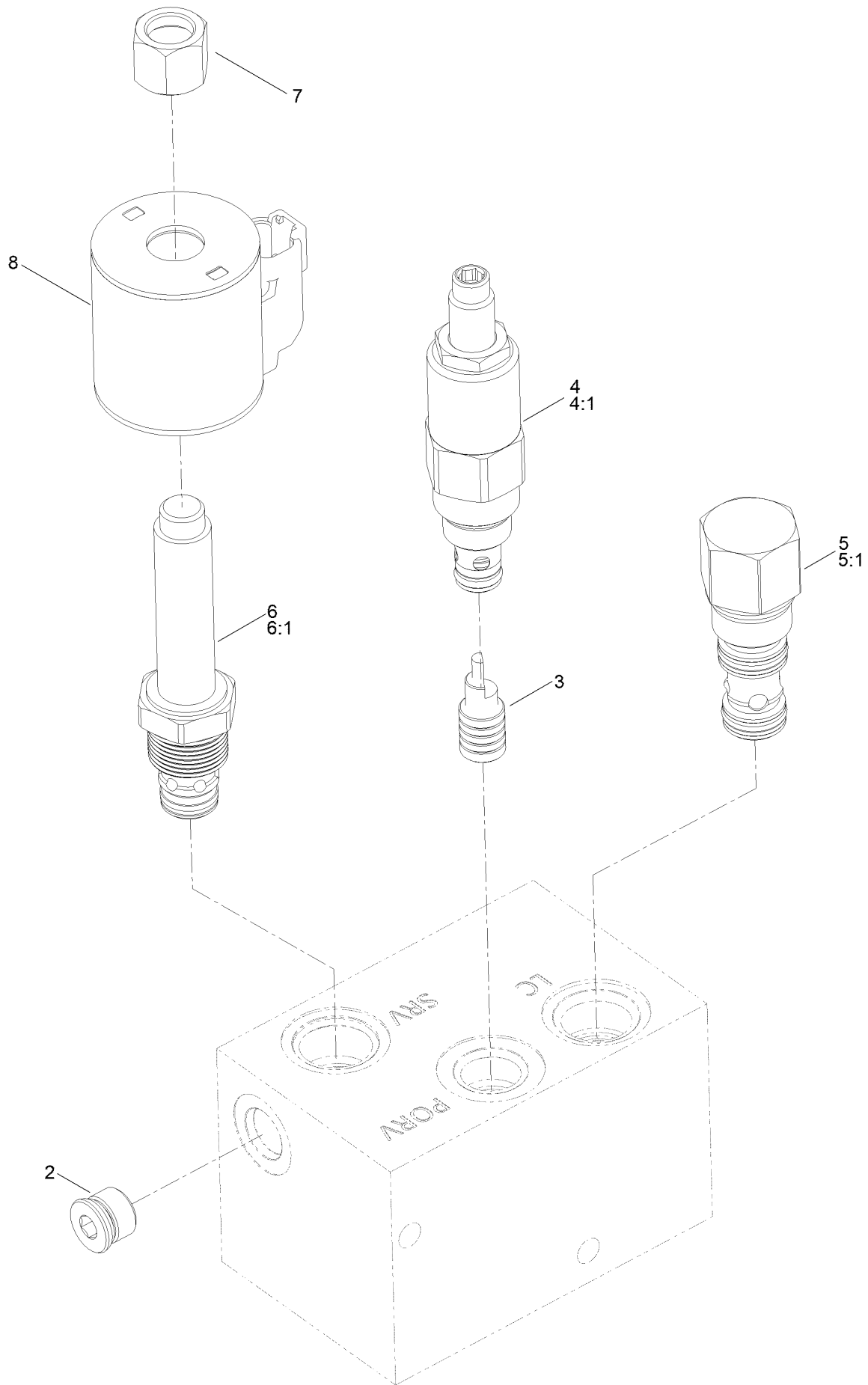
Control Valve Assembly No. 119-4585



Control Valve Assembly No. 119-4585 (continued)

<i>Ref.</i>	<i>Part Number</i>	<i>Qty.</i>	<i>Description</i>	<i>Ref.</i>	<i>Part Number</i>	<i>Qty.</i>	<i>Description</i>
1	100-8801	2	High Force Spring Kit	5:4	119-4625	4	Screw-Joystick
2	100-8805	1	Valve-Relief	5:5	119-4626	1	Joint-Joystick
3	114-8625	2	Valve-Spool	5:6	119-4627	1	Pin-Spool
4	106-7719	4	Seal-Valve	5:7	119-4628	1	Holder-Joystick
5	119-4622	1	Joystick Kit	5:8	3273-42	3	Screw-HSH
5:1	119-4623	2	Joint-Joystick	5:9	119-4629	1	Boot-Joystick
5:2	119-4624	1	Base-Joystick	6	119-4630	2	Valve Kit
5:3	117-1350	3	Nut-HF, Lock				

Cutter Wheel Valve Assembly No. 163-5250

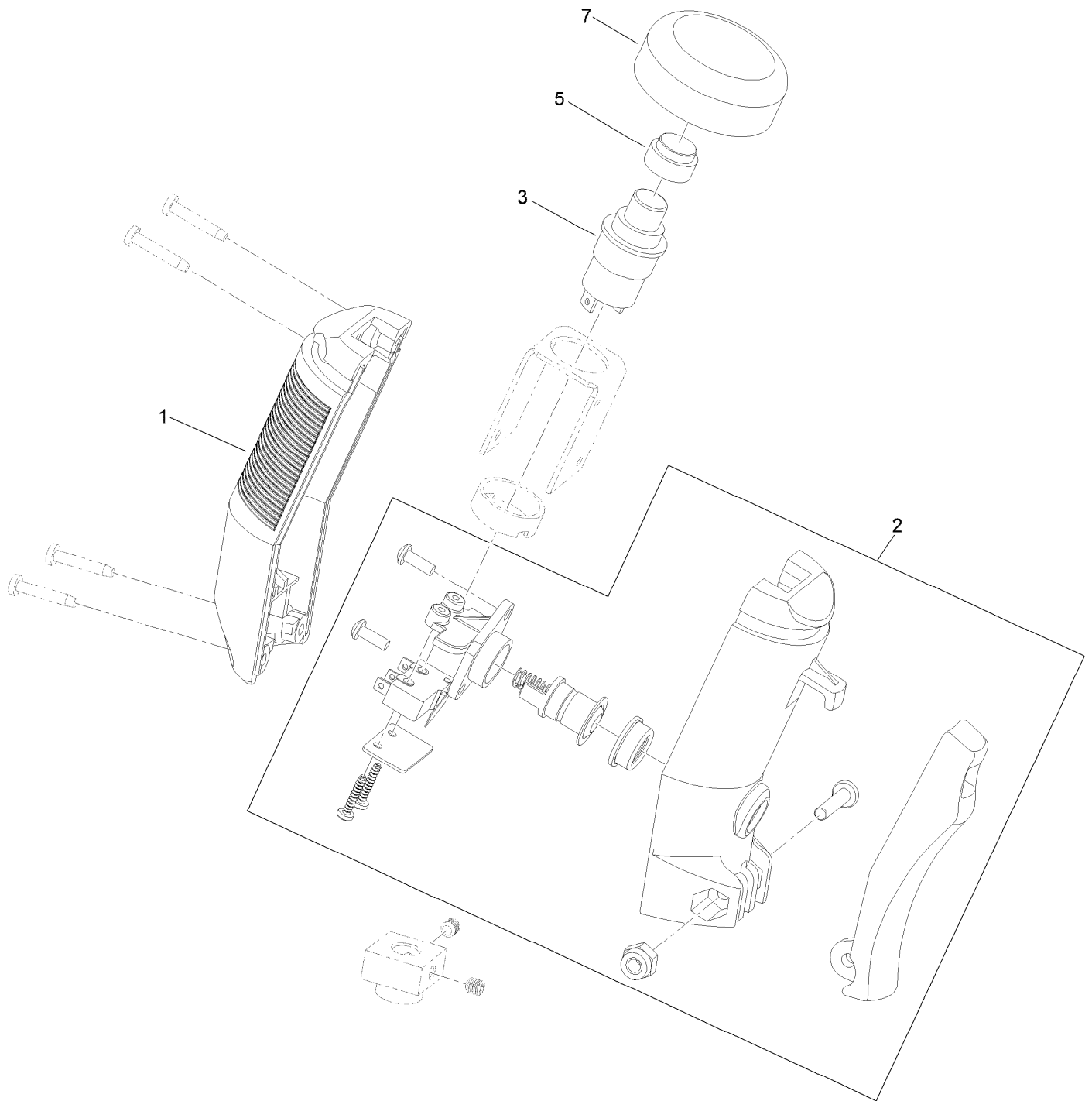


Cutter Wheel Valve Assembly No. 163-5250 (continued)

<i>Ref.</i>	<i>Part Number</i>	<i>Qty.</i>	<i>Description</i>
2	112-9213	1	Plug
3	105-9157	1	Piston-Pilot
4	119-4620	1	Valve-Relief
4:1	105-9156	1	Seal Kit
5	105-9153	1	Element-Logic, Vented

<i>Ref.</i>	<i>Part Number</i>	<i>Qty.</i>	<i>Description</i>
5:1	119-2159	1	Seal Kit
6	161-6878	1	Cartridge-Relief
6:1	110-6316	1	Seal Kit
7	130-8180	1	Nut-Coil (9/16-24 Unef-2B)
8	119-4619	1	Coil-Solenoid

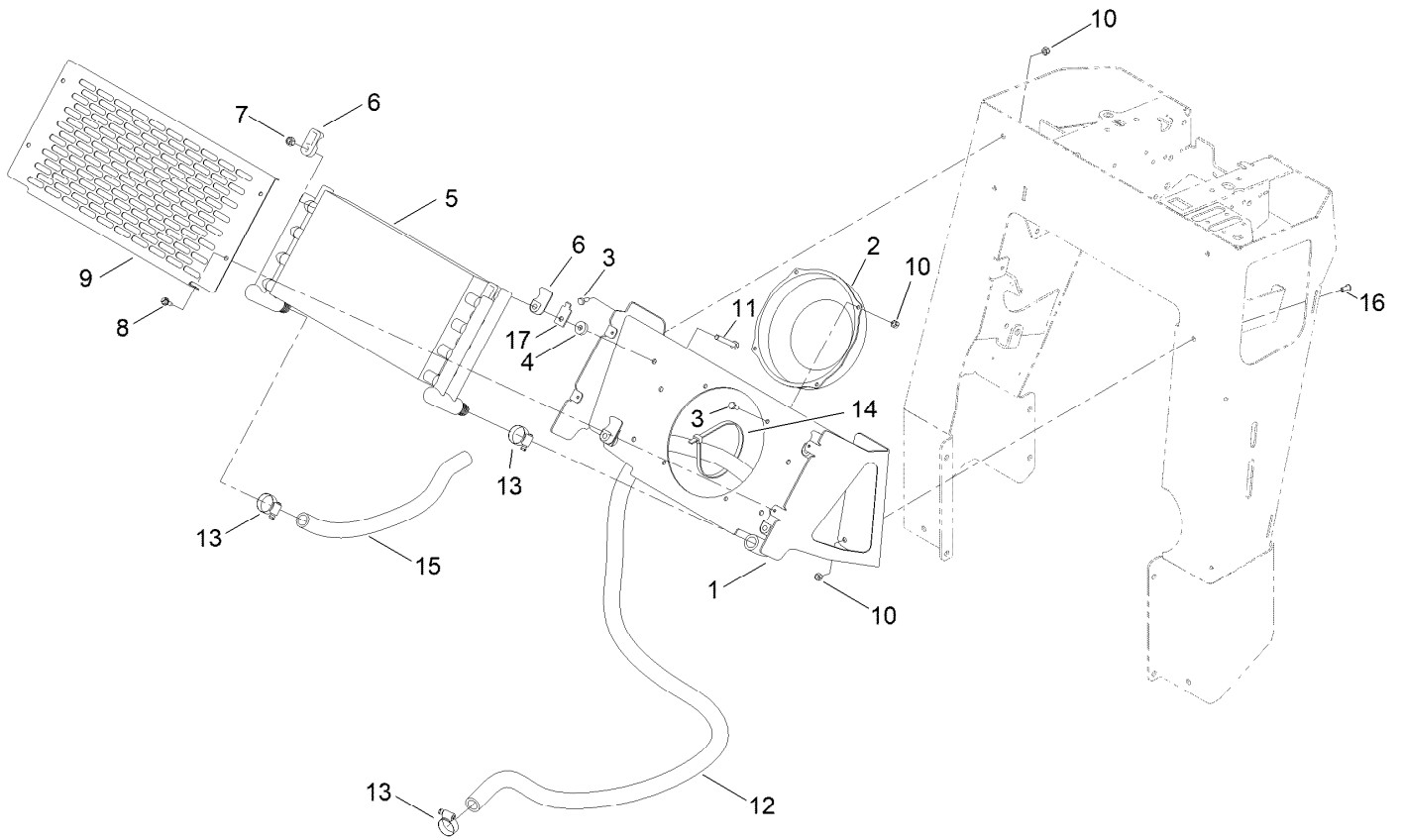
Two-Button Handle Grip Assembly No. 119-4587



Two-Button Handle Grip Assembly No. 119-4587 (continued)

<i>Ref.</i>	<i>Part Number</i>	<i>Qty.</i>	<i>Description</i>	<i>Ref.</i>	<i>Part Number</i>	<i>Qty.</i>	<i>Description</i>
1	119-4637	1	Halve-Handle	5	119-4642	1	Button-Actuator
2	132-8660	1	Switich Kit	7	119-4641	1	Boot-Button
3	119-4640	1	Button-Push, Top				

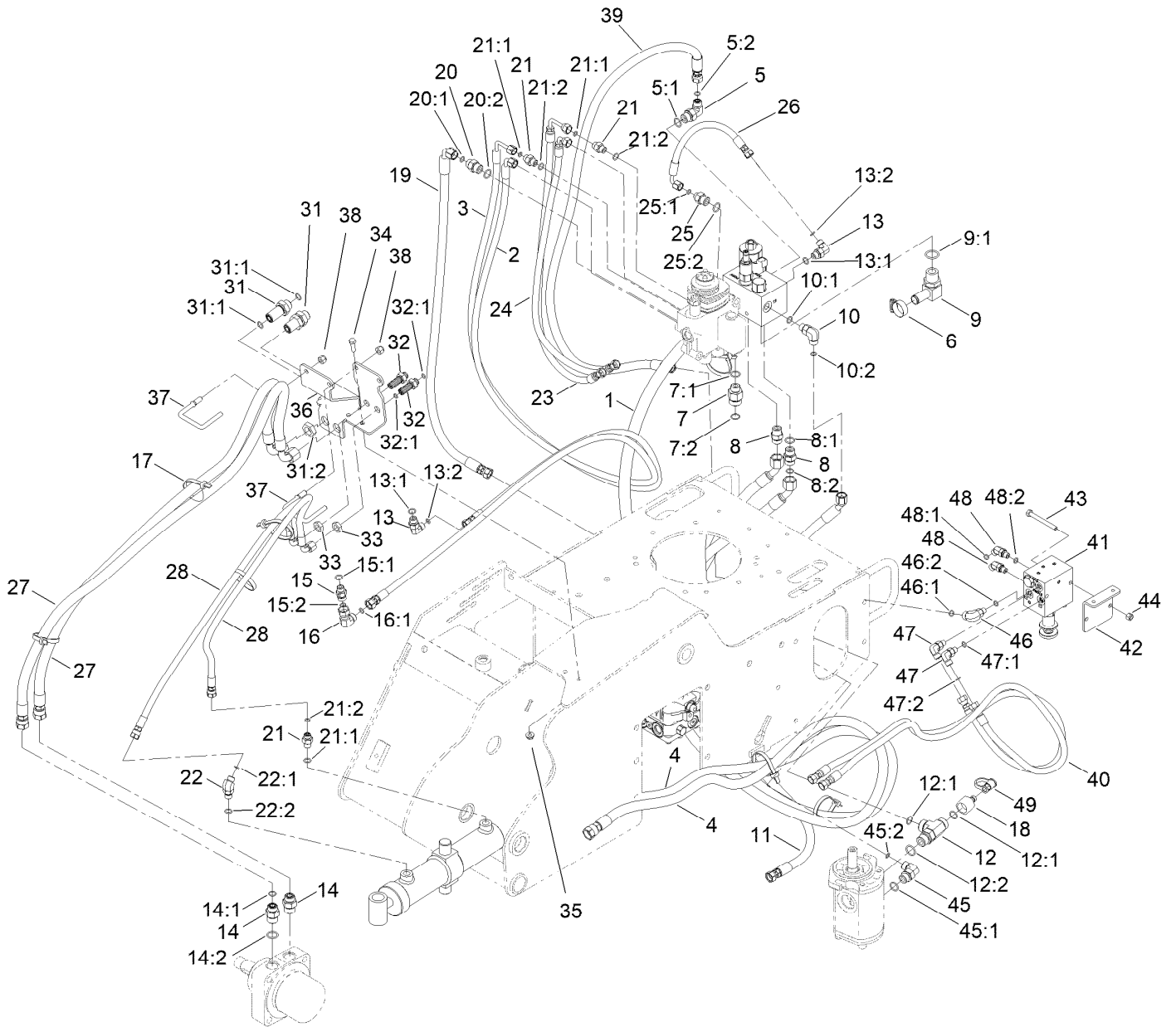
Oil Cooler Assembly



Oil Cooler Assembly (continued)

<i>Ref.</i>	<i>Part Number</i>	<i>Qty.</i>	<i>Description</i>	<i>Ref.</i>	<i>Part Number</i>	<i>Qty.</i>	<i>Description</i>
1	147-7009-01	2	Cooler Mount ASM [red]	10	3296-42	8	Nut-Lock, NI
2	104-2809	1	Fan	11	322-11	4	Screw-HH
3	321-3	7	Screw-HH	12	119-4607	1	Hose-Return
4	26-4840	4	Spacer-Pin, Mounting	13	2412-129	3	Clamp-Hose
5	117-6320	1	Cooler-Oil	14	3334-945	1	Tie-Cable
6	131-0733	8	Clamp	15	119-4571	1	Hose-Return
7	3296-29	4	Nut-Lock, NI	16	3274-31	1	Screw-HSBH
8	32104-95	4	Screw-HWH	17	131-0642	4	Plate-Support, Clamp
9	119-4633-01	2	Cover-Cooler				

Hydraulic Hose Routing Assembly

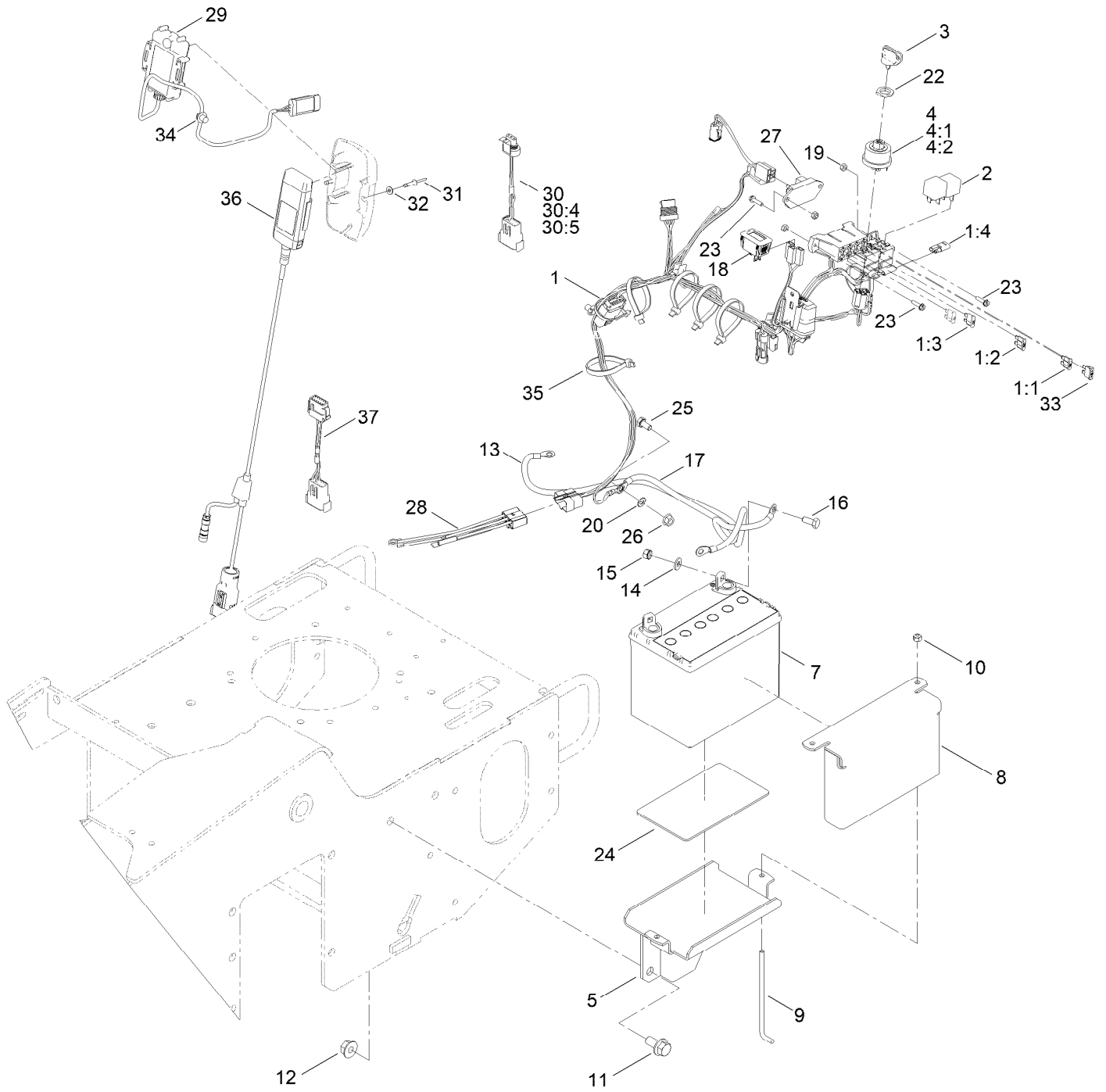


Hydraulic Hose Routing Assembly (continued)

<i>Ref.</i>	<i>Part Number</i>	<i>Qty.</i>	<i>Description</i>	<i>Ref.</i>	<i>Part Number</i>	<i>Qty.</i>	<i>Description</i>
1	119-4589	1	Hose-HYD	22	340-137	1	Fitting
2	119-4590	1	Hose-HYD	22:1	237-21	1	O-Ring
3	119-4601	1	Hose-HYD	22:2	237-42	1	O-Ring
4	144-7457	2	Hose ASM-HYD	23	130-7602	1	Hose-HYD
5	340-18	1	Fitting-HYD, 90 DEG	24	130-7603	1	Hose-HYD
5:1	237-79	1	O-Ring	25	340-133	1	Fitting-STR
5:2	237-22	1	O-Ring	25:1	237-79	1	O-Ring
6	2412-129	1	Clamp-Hose	25:2	237-21	1	O-Ring
7	340-155	1	Fitting-Straight	26	119-4594	1	Hose-HYD
7:1	237-79	1	O-Ring	27	144-7458	2	Hose ASM-HYD
7:2	237-151	1	O-Ring	28	144-7459	2	Hose ASM-HYD
8	340-4	2	Fitting-Straight	30	99-5648	1	Sleeve-Protective ●
8:1	237-30	1	O-Ring	31	340-161	2	Fitting-Bulkhead
8:2	237-79	1	O-Ring	31:1	237-30	2	O-Ring
9	353-987	1	Fitting-Elbow, 90	31:2	340-127	1	Nut-Bulkhead
9:1	237-81	1	O-Ring	32	94-1444	2	Union-Bulkhead
10	340-77	1	Fitting-Elbow, 90 DEG	32:1	237-21	2	O-Ring
10:1	237-22	1	O-Ring	33	340-78	2	Nut-Lock
10:2	237-42	1	O-Ring	34	322-5	1	Screw-HH
11	119-4602	1	Hose-HYD	35	32128-20	1	Nut-HF
12	340-22	1	Fitting-Tee	36	125-0263-05	1	Bracket-Bulkhead
12:1	237-65	2	O-Ring	37	121-4555	2	Guide-Hose
12:2	237-80	1	O-Ring	38	3296-39	2	Nut-Lock, NI
13	340-82	2	Fitting-Elbow, 90 DEG	39	130-7604	1	Hose-HYD
13:1	237-42	1	O-Ring	40	130-7605	2	Hose-HYD
13:2	237-21	1	O-Ring	41	163-5251	1	Sweep Manifold ASM
14	340-6	2	Fitting-Straight	42	130-1014-05	1	Bracket-Valve
14:1	237-30	1	O-Ring	43	322-14	2	Screw-HH
14:2	237-80	1	O-Ring	44	3296-29	2	Nut-Lock, NI
15	115-4081	1	Valve-Check	45	340-18	1	Fitting-HYD, 90 DEG
15:1	237-42	1	O-Ring	45:1	237-79	1	O-Ring
15:2	237-22	1	O-Ring	45:2	237-22	1	O-Ring
16	340-159	1	Elbow-90	46	340-97	1	Fitting-Elbow, 90 DEG
16:1	237-22	2	O-Ring	46:1	237-22	1	O-Ring
17	3334-945	13	Tie-Cable	46:2	237-78	1	O-Ring
18	86-5860	1	Nipple	47	340-132	2	Fitting-Elbow, 90 DEG
19	119-4592	1	Hose-HYD	47:1	237-78	1	O-Ring
20	340-3	1	Fitting-Straight	47:2	237-21	1	O-Ring
20:1	237-22	1	O-Ring	48	340-103	2	Fitting-HYD, 45 DEG
20:2	237-79	1	O-Ring	48:1	237-78	1	O-Ring
21	340-1	5	Fitting-Straight	48:2	237-21	1	O-Ring
21:1	237-21	1	O-Ring	49	354-79	1	Cap-Dust
21:2	237-42	1	O-Ring				

● Not illustrated

Battery and Electrical Assembly



Battery and Electrical Assembly (continued)

<i>Ref.</i>	<i>Part Number</i>	<i>Qty.</i>	<i>Description</i>	<i>Ref.</i>	<i>Part Number</i>	<i>Qty.</i>	<i>Description</i>
1	119-4555	1	Harness-Wire	19	3296-2	5	Nut-Lock, NI
1:1	109103	1	Fuse-Blade, 30 Amp	20	3255-8	1	Washer-Lock
1:2	109102	1	Fuse-Blade, 25 Amp	21	107-1572	1	Washer-Lock ●
1:3	109101	1	Fuse-Blade, 20 Amp	22	107-1571	1	Nut-Hex
1:4	116-0053	1	Cap-Plug	23	32105-13	5	Screw-HWH
2	98-7249	2	Relay	24	62-4300	1	Pad-Skid, Anti
3	63-8360	1	Key-Ignition	25	33114-016	1	Screw-HH
4	88-9830	1	Key Switch ASM	26	33004-00	1	Nut-HF
4:1	3254-5	1	Washer-Lock	27	100-6170	1	Module-Delay
4:2	218-461	1	Nut-HH	28	119-4604	1	Harness
5	105-3150-01	2	Tray-Battery	29	131-0560	1	GPS ASM
7	99-7421	1	Battery- Wet, 12V, 300 CCA	30	131-0567	1	Harness-Wire, GPS
8	115-6621-05	1	Plate-Hold Down,Battery	30:4	121-8864	2	Fuse-Mini Blade, 5 Amp
9	104-8567	2	Holdown-Battery	30:5	32180-101	2	Cover-Fuse, Single
10	3296-42	2	Nut-Lock, NI	31	103-0138	2	Rivet-Pop
11	3234-6	2	Screw-HHF	32	3269-26	2	Washer-Plain
12	32128-49	2	Nut-HHF	33	109355	1	Fuse-Blade, 15 Amp
13	106-8945	1	Cable-Battery, Positive	34	32180-030	1	Clip-Tie
14	3256-2	2	Washer-Flat	35	3334-945	7	Tie-Cable
15	32149-1	2	Nut-Keps	36	140-7684	1	M7L-Lite Ztr Kit ASM
16	322-3	2	Screw-HH	37	122-2112	1	Harness-Wire, Machine Ztr
17	117-6422	1	Cable-Battery, Black	38	3290-378	3	Tie-Cable ●
18	120-2244	1	Hourmeter				

● Not illustrated

Attachments and Accessories

For 23208G STX-26 Stump Grinder

Product Name	Model/Part
Spark Arrestor Screen	94-8157
PX Hydraulic Fluid-4 Pack (Gallon).....	138-9460
PX Hydraulic Fluid (55 Gal).....	133-8087
PX Hydraulic Fluid (5 Gal)	133-8086
Oil-30/10W-30 Synthetic (Quart).....	138-6053
10W30 4-Cycle Engine Oil (32oz Bottle).....	38280
Semi-Gloss Black Spray Paint	361-9
New Red Paint - Gallon	361-11

Notes:



Count on it.