



PART NO. 99-0482

SET-UP AND PARTS
CATALOG

Triple Nozzle Body Kit

for use on all TORO Spray Systems

NOTE: Save all hoses and hose clamps for use with new Nozzle Bodies.

NOTE: Spray Nozzles shown in this manual are for illustration purposes only and are not included with this kit. See your authorized Toro Dealer to acquire additional Spray Nozzles if required.

1. Disconnect the (3) Boom Feeder Hoses from their respective Nozzle Bodies.
2. Remove all (11) Nozzle Bodies and disconnect all Jumper Hoses.

Center Boom

1. Loosely attach the Double Barb Turret Body with the Turret Body Clamp in the approximate center of the Center Boom Pipe. For the most uniform spray coverage, position all Nozzle Bodies level as shown in Fig. 1.

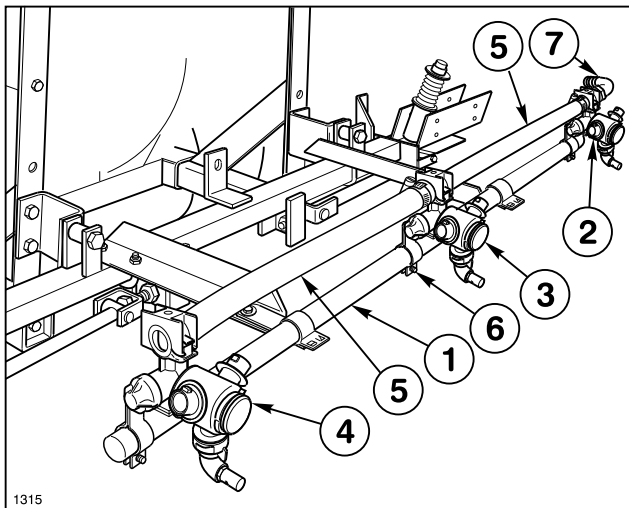


FIG. 1

- | | |
|----------------------------|----------------------------|
| 1. Center Boom Pipe | 4. Single Barb Turret Body |
| 2. Threaded Turret Body | 5. Jumper Hose |
| 3. Double Barb Turret Body | 6. Turret Body Clamp |
| | 7. 90° 3/4" Hose Barb |

NOTE: If you are upgrading nozzles on a Manual Valve Spray System (Model 41119), it will be necessary to reposition the Threaded Barb 180° so the barb end is on the R.H. side of the Turret Body and install it on the L.H. end of the Center Boom Pipe. The Single Barb Turret Body will then be placed on the R.H. end of the Center Boom Pipe with its hose barb repositioned to the L.H. side of the Turret Body.

2. Loosely attach a Single Barb Turret Body with a Turret Body Clamp to L.H. end of the Center Boom Pipe. Loosely attach the Threaded Barb Turret Body with a Turret Body Clamp to RH end of the Center Boom Pipe. See FIG. 1.

3. Place (2) hose clamps on the (2) 3/4" x 19" jumper Hoses and connect the two "end" Turret Bodies to the Double Barb Turret Body. Space Nozzles 20" apart and Tighten fasteners securely.

4. Apply Teflon Tape and install the 90° 3/4" Hose Barb on the Threaded Barb Turret Body. See FIG. 1.

Left and Right Boom Extensions:

5. Attach three Double Barb Turret Bodies and one Single Barb Turret Body with Turret Body Clamp on each Extension Boom Pipe as shown in Fig. 2. Place Nozzle Bodies level and space 20" apart. Connect the Turret Bodies with the 3/4" x 19" Jumper Hoses. Secure with hose clamps. See FIG. 2.

NOTE: The (2) 3/4" x 21" Jumper Hoses provided with the Center Boom Kit may be cut to 19" long for use with the Multi Pro 1100 and the Workman vehicles. The hoses are required to be 21" long only in cases where the Boom Extensions store away in a crisscross position. See FIG. 2.

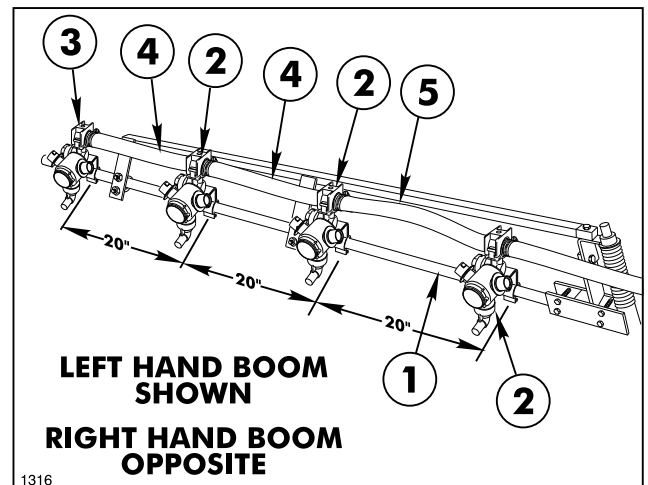


FIG. 2

- | | |
|----------------------------|----------------------------|
| 1. Extension Boom Pipe | 3. Single Barb Turret Body |
| 2. Double Barb Turret Body | 4. Jumper Hose 3/4 x 19" |
| | 5. Jumper Hose 3/4 x 21" |

6. Reconnect the (2) Boom Feeder Hoses to the right and left booms.

NOTE: If you are upgrading nozzles on a Manual Valve Spray System (Model 41119) Do NOT replace the center Boom Feeder Hose, reconnect the existing hose in its place in step 7.

7. Replace the center Boom Feeder Hose with the 3/4 x 50" Hose included and attach to 90° barb in the Threaded Barb Turret Body. See FIG. 1.

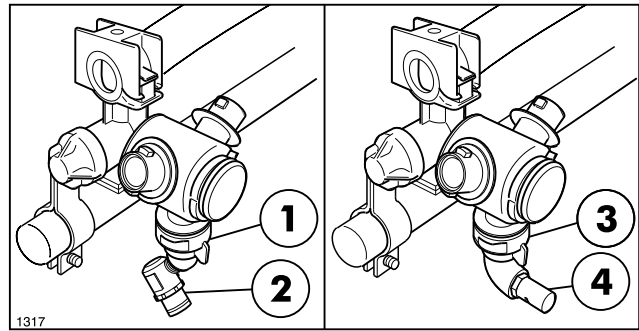


FIG. 3

- 1. Nozzle Cap, 45°
- 2. Raindrop Nozzle
- 3. Nozzle Cap, 90°
- 4. Turbo TurfJet Nozzle

Nozzle Installation:

NOTE: The Nozzle you are using dictates which Nozzle Cap you will use. Use the 45° Nozzle Cap with Raindrop Nozzles and the 90° Nozzle Cap with the Turbo TurfJet Nozzles. See FIG. 3.

- 8. Install nozzles into the Boom Caps. See FIG. 3.
- 9. Attach the (11) Nozzles to Turret Bodies by locking them into place.

NOZZLE APPLICATION CHARTS

Use these charts to select the Toro Turbo TurfJet Nozzle for your application. Contact your Authorized Toro Dealer to order.

TURBO TURFJET NOZZLE Liters Per Hectare Application Rates

TORO Part No.	Nozzle Number Color Code	Pressure (kPa)	Capacity 1 Nozzle (L/min)	Liters per Hectare at 50 cm Spacings							
				4 km/h	5 km/h	6 km/h	7 km/h	8 km/h	9 km/h	10 km/h	11 km/h
95-9221	Yellow	150	0.53	159	127	106	91	80	71	64	58
		200	0.64	192	154	128	110	96	85	77	70
		275	0.76	228	182	152	130	114	101	91	83
		350	0.83	249	199	166	142	125	111	100	91
95-9222	Red	150	1.06	318	254	212	182	159	141	127	116
		200	1.32	396	317	264	226	198	176	158	144
		275	1.51	453	362	302	259	227	201	181	165
		350	1.70	510	408	340	291	255	227	204	185
95-9223	Brown	150	1.40	420	336	280	240	210	187	168	153
		200	1.61	483	386	322	276	242	215	193	176
		275	1.89	567	454	378	324	284	252	227	206
		350	2.13	639	511	426	365	320	284	256	232
95-9224	Grey	150	1.67	501	401	334	286	251	223	200	182
		200	1.93	579	463	386	331	290	257	232	211
		275	2.27	681	545	454	389	341	303	272	248
		350	2.56	768	614	512	439	384	341	307	279
95-9225	White	150	2.23	669	535	446	382	335	297	268	243
		200	2.58	774	619	516	442	387	344	310	281
		275	3.02	906	725	604	518	453	403	362	329
		350	3.41	1023	818	682	585	512	455	409	372
95-9188	Light Blue	150	2.79	837	670	558	478	419	372	335	304
		200	3.22	966	773	644	552	483	429	386	351
		275	3.78	1134	907	756	648	567	504	454	412
		350	4.28	1284	1027	856	734	642	571	514	467
95-9226	Light Green	150	4.18	1254	1003	836	717	627	557	502	456
		200	4.84	1452	1162	968	830	726	645	581	528
		275	5.67	1701	1361	1134	972	851	756	680	619
		350	6.40	1920	1536	1280	1097	960	853	768	698

TURBO TURFJET NOZZLE

Gallons Per Acre Application Rates

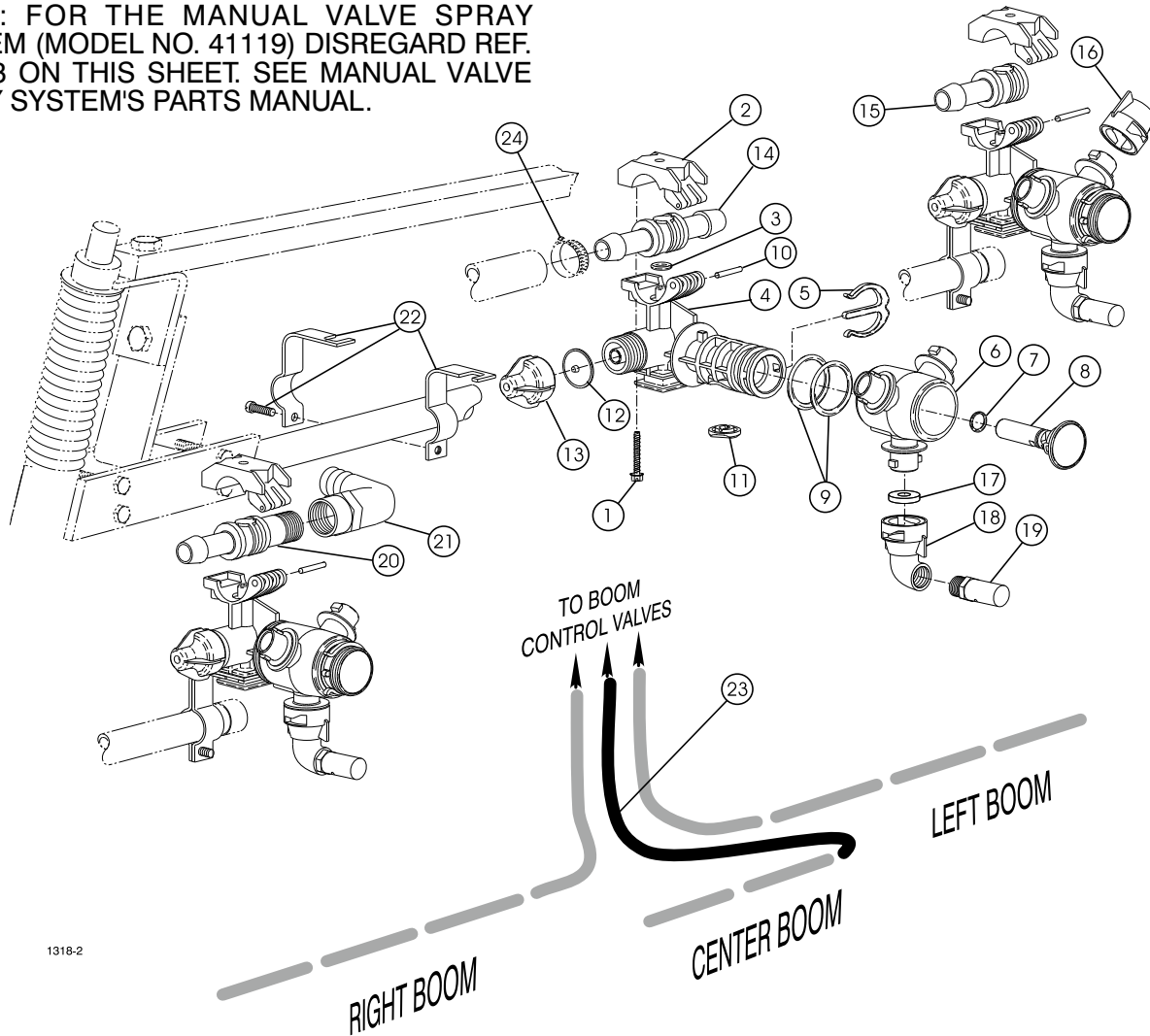
TORO Part No.	Nozzle Number Color Code	Pressure (PSIG)	Capacity 1 Nozzle (GPM)	Gallons per Acre at 20" Spacings							
				2.5 MPH	3 MPH	3.5 MPH	4 MPH	4.5 MPH	5 MPH	5.5 MPH	6 MPH
95-9221	Yellow	20	0.14	16.6	13.9	11.9	10.4	9.2	8.3	7.6	6.9
		30	0.17	20.2	16.8	14.4	12.6	11.2	10.1	9.2	8.4
		40	0.20	23.8	19.8	17.0	14.9	13.2	11.9	10.8	9.9
		50	0.22	26.1	21.8	18.7	16.3	14.5	13.1	11.9	10.9
95-9222	Red	20	0.28	33	28	24	21	18	17	15	14
		30	0.35	42	35	30	26	23	21	19	17
		40	0.40	48	40	34	30	26	24	22	20
		50	0.45	53	45	38	33	30	27	24	22
95-9223	Brown	20	0.35	42	35	30	26	23	21	19	17
		30	0.43	51	43	36	32	28	26	23	21
		40	0.50	59	50	42	37	33	30	27	25
		50	0.56	67	55	48	42	37	33	30	28
95-9224	Gray	20	0.42	50	42	36	31	28	25	23	21
		30	0.52	62	51	44	39	34	31	28	26
		40	0.60	71	59	51	45	40	36	32	30
		50	0.67	80	66	57	50	44	40	36	33
95-9225	White	20	0.57	68	56	48	42	38	34	31	28
		30	0.69	82	68	59	51	46	41	37	34
		40	0.80	95	79	68	59	53	48	43	40
		50	0.89	106	88	76	66	59	53	48	44
95-9188	Light Blue	20	0.71	84	70	60	53	47	42	38	35
		30	0.87	103	86	74	65	57	52	47	43
		40	1.00	119	99	85	74	66	59	54	50
		50	1.12	133	111	95	83	74	67	60	55
95-9226	Light Green	20	1.06	126	105	90	79	70	63	57	52
		30	1.30	154	129	110	97	86	77	70	64
		40	1.50	178	149	127	111	99	89	81	74
		50	1.68	200	166	143	125	111	100	91	83

TURBO TURFJET NOZZLE

Gallons Per 1000 Sq. Ft. Application Rates

TORO Part No.	Nozzle Number Color Code	Pressure (PSIG)	Capacity 1 Nozzle (GPM)	Gallons per 1000 Sq. Ft. at 20" Spacings							
				2.5 MPH	3 MPH	3.5 MPH	4 MPH	4.5 MPH	5 MPH	5.5 MPH	6 MPH
95-9221	Yellow	20	0.14	0.38	0.32	0.27	0.24	0.21	0.19	0.17	0.16
		30	0.17	0.46	0.39	0.33	0.29	0.26	0.23	0.21	0.19
		40	0.20	0.54	0.45	0.39	0.34	0.30	0.27	0.25	0.23
		50	0.22	0.60	0.50	0.43	0.37	0.33	0.30	0.27	0.25
95-9222	Red	20	0.28	0.76	0.63	0.54	0.48	0.42	0.38	0.35	0.32
		30	0.35	0.95	0.79	0.68	0.60	0.53	0.48	0.43	0.40
		40	0.40	1.09	0.91	0.78	0.68	0.60	0.54	0.49	0.45
		50	0.45	1.22	1.02	0.87	0.77	0.68	0.61	0.56	0.51
95-9223	Brown	20	0.35	0.95	0.79	0.68	0.60	0.53	0.48	0.43	0.40
		30	0.43	1.17	0.97	0.84	0.73	0.65	0.58	0.53	0.49
		40	0.50	1.36	1.13	0.97	0.85	0.76	0.68	0.62	0.57
		50	0.56	1.52	1.27	1.09	0.95	0.85	0.76	0.69	0.63
95-9224	Gray	20	0.42	1.14	0.95	0.82	0.71	0.63	0.57	0.52	0.48
		30	0.52	1.41	1.18	1.01	0.88	0.79	0.71	0.64	0.59
		40	0.60	1.63	1.36	1.17	1.02	0.91	0.82	0.74	0.68
		50	0.67	1.82	1.52	1.30	1.14	1.01	0.91	0.83	0.76
95-9225	White	20	0.57	1.55	1.29	1.11	0.97	0.86	0.78	0.70	0.65
		30	0.69	1.88	1.56	1.34	1.17	1.04	0.94	0.85	0.78
		40	0.80	2.18	1.81	1.55	1.36	1.21	1.09	0.99	0.91
		50	0.89	2.42	2.02	1.73	1.51	1.34	1.21	1.10	1.01
95-9188	Light Blue	20	0.71	1.93	1.61	1.38	1.21	1.07	0.97	0.88	0.80
		30	0.87	2.37	1.97	1.69	1.48	1.31	1.18	1.08	0.99
		40	1.00	2.72	2.27	1.94	1.70	1.51	1.36	1.24	1.13
		50	1.12	3.05	2.54	2.18	1.90	1.69	1.52	1.38	1.27
95-9226	Light Green	20	1.06	2.88	2.40	2.06	1.80	1.60	1.44	1.31	1.20
		30	1.30	3.54	2.95	2.53	2.21	1.96	1.77	1.61	1.47
		40	1.50	4.08	3.40	2.91	2.55	2.27	2.04	1.85	1.70
		50	1.68	4.57	3.81	3.26	2.86	2.54	2.28	2.08	1.90

NOTE: FOR THE MANUAL VALVE SPRAY SYSTEM (MODEL NO. 41119) DISREGARD REF. NO. 23 ON THIS SHEET. SEE MANUAL VALVE SPRAY SYSTEM'S PARTS MANUAL.



1318-2

NOZZLE BODIES & BOOM HOSES

#	Part No.	Description	Qty
*	104-8789	Turret Body - Double Barb (Incl. Ref. #'s 1-14)	7
*	104-8787	Turret Body - Single Barb (Incl. Ref. #'s 1-13 & 15)	3
*	104-8790	Turret Body - Barb x 1/2 NPT (Incl. Ref. #'s 1-13 & 20)	1
•1	99-0811	Screw	1
•2	**	Upper Clamp	1
•†3	95-9191	O-Ring	1
•4	**	Split-Eyelet Body	1
5	95-9197	E-Clip	1
6	104-8775	Turret	1
†7	95-9198	O-Ring	1
8	95-9200	Plug	1
†9	95-9199	O-Ring	2
•10	99-0814	Pivot Pin, 303 SS	1
†11	99-0813	Seal	1
†12	41003	Diaphragm	1
13	95-9193	End Cap Assembly	1
14	95-9202	Double Hose Barb	1

#	Part No.	Description	Qty
15	95-9201	Single Hose Barb	1
16	95-9187	Nozzle Dust Cap (Incl. Ref. # 17)	22
17	40998	Seat Gasket	33
18	95-9186	Nozzle Cap, 90° (Incl. Ref. # 17)	11
19	95-9188	TTJ10 Turbo TurfJet (Optional)	11
	95-9221	TTJ2 Turbo TurfJet (Optional)	11
	95-9222	TTJ4 Turbo TurfJet (Optional)	11
	95-9223	TTJ5 Turbo TurfJet (Optional)	11
	95-9224	TTJ6 Turbo TurfJet (Optional)	11
	95-9225	TTJ8 Turbo TurfJet (Optional)	11
	95-9226	TTJ15 Turbo TurfJet (Optional)	11
20	95-9203	Hose Barb x 1/2" NPT	1
21	95-9314	90° Elbow, 1/2" FPT x 3/4" H.B.	1
22	95-9185	Turret Body Clamp	11
23	41340	Boom Hose, 3/4" x 50"	1
	92-0045	Hose Clamp, 3/4" Hose	22
*	99-0815	O-Ring Dust Seal (Previous Style)	1

† Denotes parts in Seal Kit # 104-8777.

* Not illustrated

• Denotes Parts in Body Sub ASM #104-8776

** Not Serviced Separately.