



Count on it.

Parts Catalog

**Workman® UTX-D
4 Passenger Utility Vehicle**

Model No. 08103—Serial No. 419000000 and Up



Ordering Replacement Parts

To order replacement parts, please supply the part number, the quantity, and the description of each part desired.

Understanding Reference Numbers

Each identified part in an illustration has a reference number. The reference number for a part also appears in the parts list, along with other information about the part.

This catalog uses two special reference number formats, one to indicate parts in a service assembly and another to indicate the quantity of a given part in an illustration.

Service Assembly Reference Numbers

Parts in service assemblies have reference numbers in the form a:b. The a represents the reference number of the entire service assembly and the b represents a sequential number unique to each part within the service assembly.

For example, a wheel assembly might be identified by reference number 6, the tire by 6:1, the valve by 6:2, and the wheel by 6:3. When you order the assembly identified by reference number 6, you receive all parts identified by reference numbers 6:1, 6:2, and 6:3. However, you may also order any part individually. Reference numbers of this type appear in illustration and in parts lists.

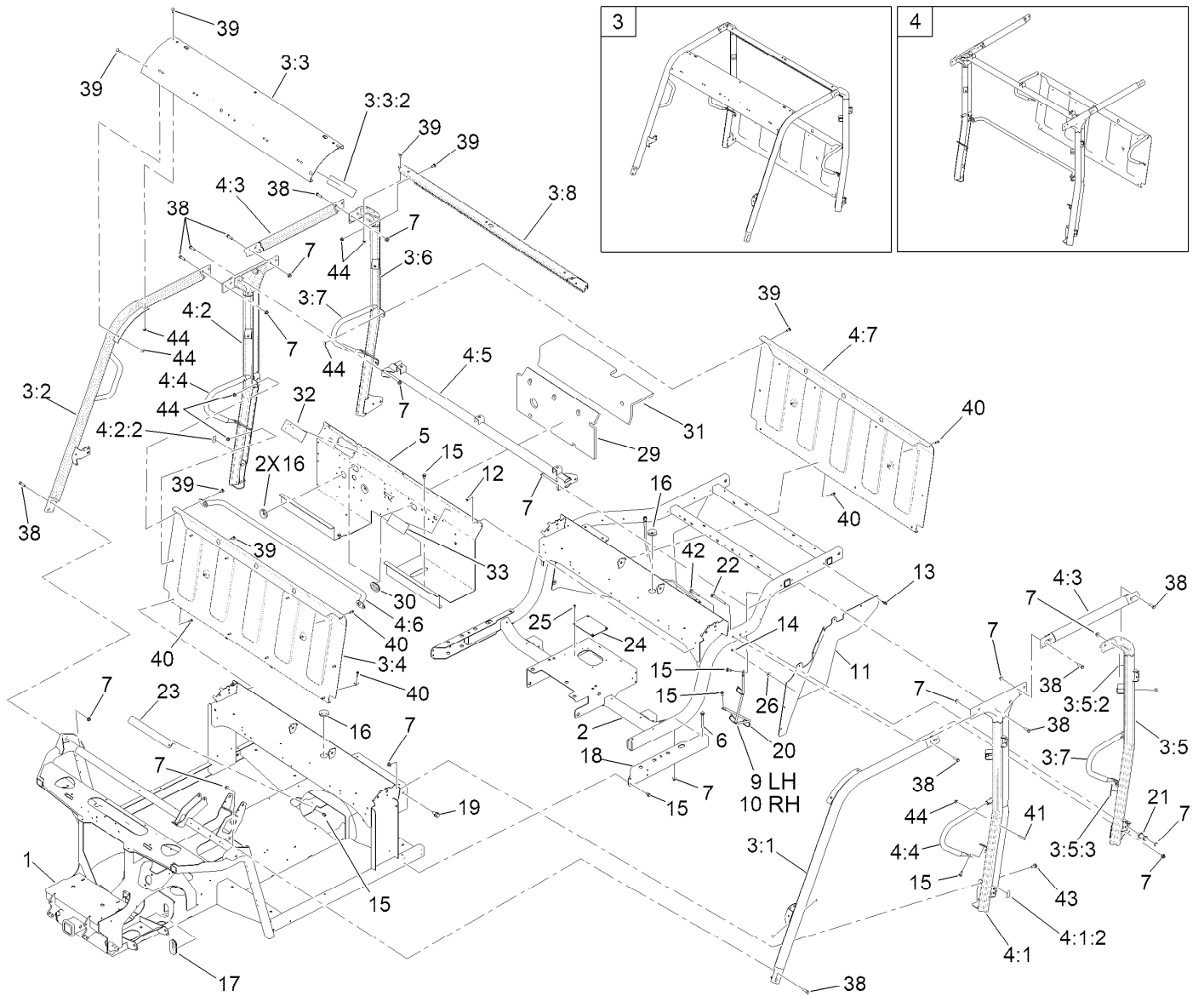
Reference Numbers Indicating Quantity

In an illustration, if a reference number indicates more than one part, the reference number has the form nX y. The n represents the quantity of the part, the X is the multiplication symbol, and the y represents the reference number.

For example, in an illustration, the reference number 2X 37 means that two of the parts identified by reference number 37 are indicated.

Contents

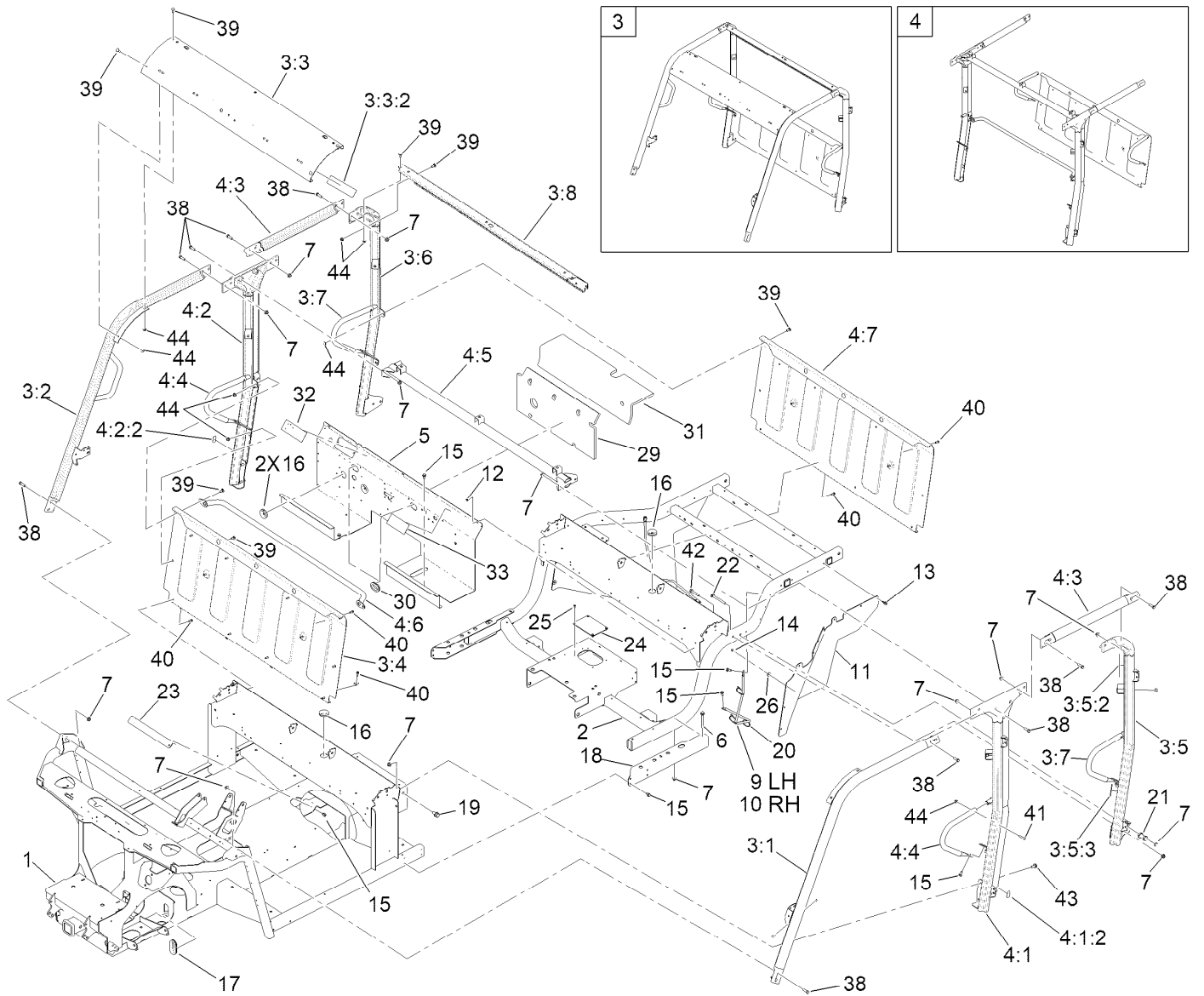
| | |
|---|----|
| Frame and ROPS Assembly | 4 |
| Front Suspension Assembly | 6 |
| Front Control Arm Assembly No. 145-7771 | 7 |
| Rear Suspension and Subframe Assembly | 8 |
| Pedals and Controls Assembly | 10 |
| Steering Assembly | 11 |
| Brake Assembly | 12 |
| Master Cylinder Assembly No. 104-6782 | 13 |
| Brake Caliper Assembly No. 127-7424 | 14 |
| Hood and Front Fender Assembly | 15 |
| Dash Assembly | 16 |
| Seat Base Assembly | 17 |
| Cargo Bed Assembly | 18 |
| Cargo Bed Kit Assembly | 19 |
| Electrical Assembly | 20 |
| Battery Assembly | 22 |
| Engine Drivetrain and Exhaust Assembly | 23 |
| Engine, Transaxle and Clutch Assembly | 24 |
| Transaxle Assembly No. 140-2611 | 25 |
| Secondary Clutch Assembly No. 147-8173 | 26 |
| Primary Clutch Assembly No. 147-8172 | 27 |
| Front Differential and Driveshaft Assembly | 28 |
| Front Differentail Assembly No. 140-4752 | 29 |
| Intermediate Driveshaft Assembly No. 140-4771 | 31 |
| Driveshaft Assembly No. 140-4763 | 32 |
| Cooling System Assembly | 33 |
| Radiator Assembly No. 161-5206 | 34 |
| Fuel System Assembly | 35 |
| Air Cleaner Assembly | 36 |
| Air Cleaner Assembly No. 106-5277 | 37 |
| Cylinder Block Assembly | 38 |
| Gear Housing Assembly | 40 |
| Mounting Flange and Oil Sump Assembly | 42 |
| Cylinder Head and Bonnet Assembly | 44 |
| Exhaust Manifold Assembly | 46 |
| Camshaft and Driving Gear Assembly | 48 |
| Crankshaft and Piston Assembly | 50 |
| Lubrication Oil System Assembly | 52 |
| Cooling Water System Assembly | 54 |
| Fuel Injection Pump Assembly | 56 |
| Governor Assembly | 58 |
| Fuel Injection Valve Assembly | 60 |
| Fuel Pipe Assembly | 62 |
| Starter Motor Assembly | 64 |
| Generator Assembly | 66 |
| Accessories Assembly | 68 |
| Gasket Set | 70 |
| Attachments and Accessories | 72 |



Frame and ROPS Assembly

| Ref. | Part Number | Qty. | Description | Ref. | Part Number | Qty. | Description |
|-------|-------------|------|-------------------------------|-------|-------------|------|--------------------------|
| 1 | 161-5388 | 1 | Front Frame ASM (4 Passenger) | 4:1:2 | 161-5232 | 1 | Decal-Hole Cover |
| 2 | 161-5386 | 1 | Rear Frame ASM | 4:2 | 161-5316 | 1 | ROPS Middle Tube ASM, RH |
| 3 | | 1 | Standard ROPS Kit ● | 4:2:2 | 161-5232 | 1 | Decal-Hole Cover |
| 3:1 | 137-2737 | 1 | Front ROPS ASM-LH | 4:3 | 137-2848 | 2 | ROPS Connector Tube ASM |
| 3:2 | 137-2738 | 1 | Front ROPS ASM-RH | 4:4 | 138-5787 | 2 | Tube-Restraint, Shoulder |
| 3:3 | 140-2583 | 1 | ROPS Front Crosslink ASM | 4:5 | 137-2835 | 1 | ROPS Support Tube ASM |
| 3:3:2 | 144-1143 | 1 | Decal-Utx, Safety | 4:6 | 137-2916 | 1 | Rear Seat Handle ASM |
| 3:4 | 138-9438 | 1 | Panel-Back, Seat | 4:7 | 138-9438 | 1 | Panel-Back, Seat |
| 3:5 | 140-2597 | 1 | LH ROPS Rear Tube ASM | 5 | 163-4936-03 | 1 | Panel-Underseat |
| 3:5:2 | 145-2215 | 1 | Decal-ROPS Safety, Utx | 6 | 116-4701 | 4 | Screw-HHF |
| 3:5:3 | 144-2267 | 1 | Decal-Compliance, ROPS | 7 | 119-4042 | 32 | Nut-HF, NI |
| 3:6 | 137-2726 | 1 | ROPS Rear Tube ASM-RH | 9 | 139-3432 | 1 | Support-Skirt, LH Side |
| 3:7 | 138-5787 | 2 | Tube-Restraint, Shoulder | 10 | 139-3433 | 1 | Support-Skirt, RH Side |
| 3:8 | 137-6892 | 1 | Crosslink-Rear, ROPS | 11 | 147-2825 | 2 | Skirt-Side |
| 4 | | 1 | Mid ROPS Kit (Crew) ● | 12 | 32144-4 | 3 | Screw-HWH |
| 4:1 | 161-5315 | 1 | ROPS Middle Tube ASM, LH | 13 | 125-9622 | 16 | Rivet-Blind |
| | | | | 14 | 138-5775 | 6 | Screw-Delta Point |

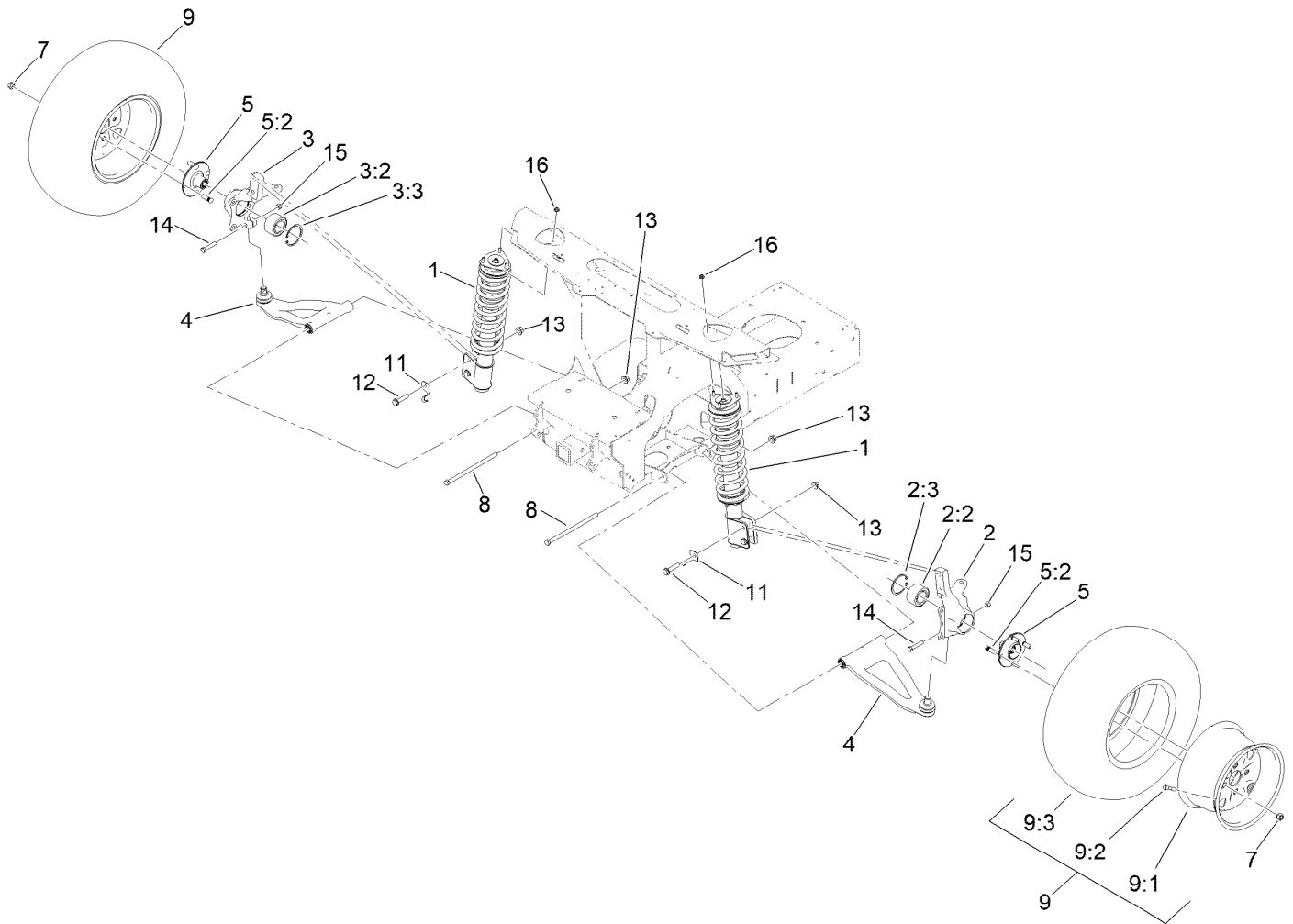
● Not serviced separately



Frame and ROPS Assembly (continued)

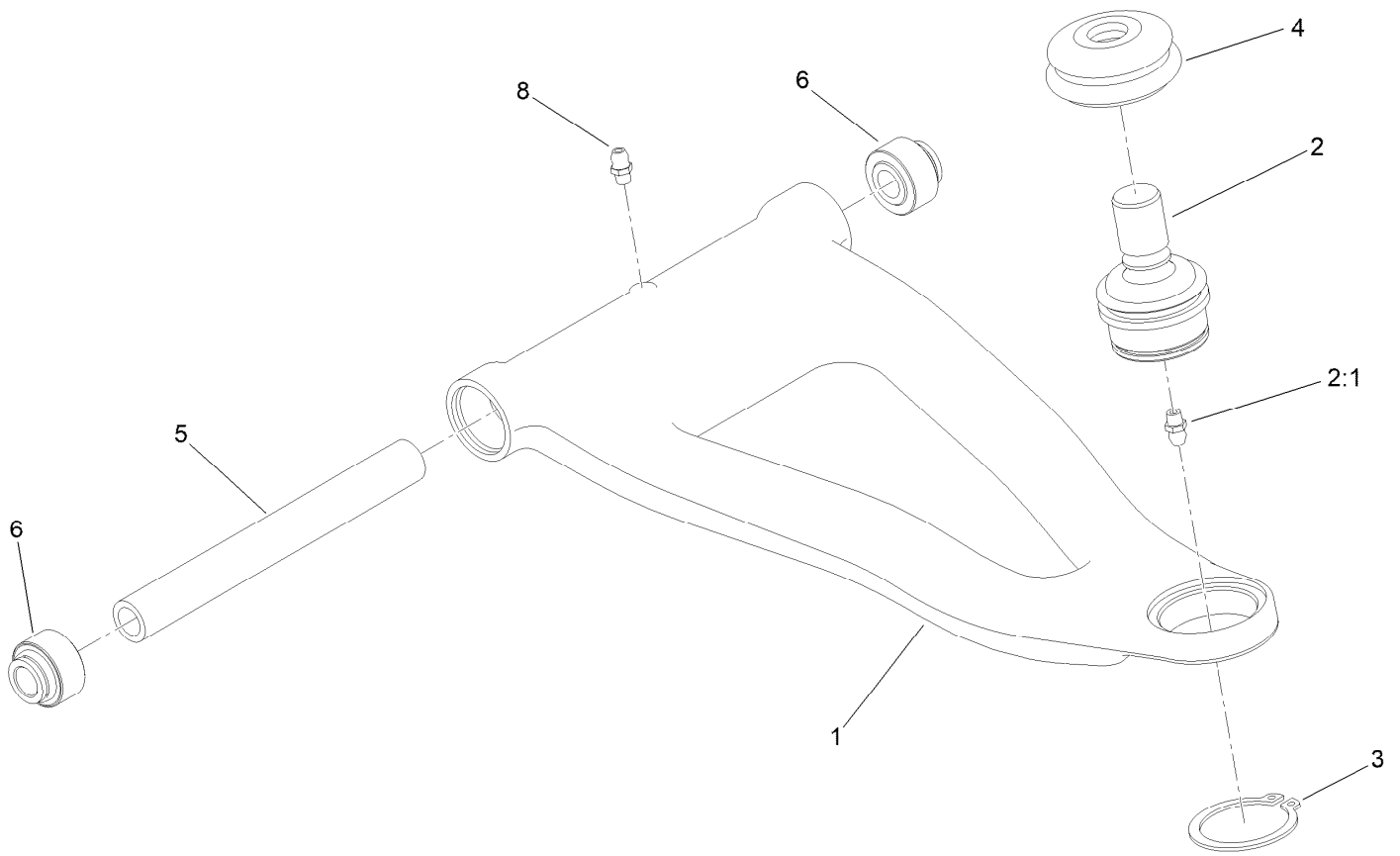
| Ref. | Part Number | Qty. | Description | Ref. | Part Number | Qty. | Description |
|------|-------------|------|----------------|------|-------------|------|-----------------------|
| 15 | 32144-70 | 28 | Screw-HWHTF | 29 | 145-7990 | 1 | Foam-Barrier, Heat |
| 16 | 163-4938 | 4 | Grommet | 30 | 110-5090 | 1 | Grommet |
| 17 | 240-12 | 1 | Grommet-Rubber | 31 | 145-7998 | 1 | Foam-Barrier, Heat |
| 18 | 161-5385-0P | 2 | Rail-Frame | 32 | 161-5445 | 1 | Decal-Fuse, Vehicle |
| 19 | 3234-6 | 7 | Screw-HHF | 33 | 147-8166 | 1 | Decal-Service, Diesel |
| 20 | 3290-378 | 6 | Tie-Cable | 38 | 144-2258 | 20 | Screw-HH |
| 21 | 140-4775 | 2 | Pin-Latch | 39 | 144-2265 | 16 | Bolt-CARR |
| 22 | 3231-37 | 2 | Screw-CARR | 40 | 49-2040 | 8 | Screw-HWHTF |
| 23 | 144-2225-0P | 1 | Brace-Cross | 41 | 126-7439 | 4 | Screw-Torx |
| 24 | 144-2245 | 1 | Cover-Access | 42 | 144-2409 | 2 | Screw-HHF |
| 25 | 139-1692 | 4 | Screw-PTH | 43 | 3234-42 | 4 | Screw-HHF |
| 26 | 3256-67 | 6 | Washer | 44 | 119-4041 | 20 | Nut-HF |

● Not serviced separately



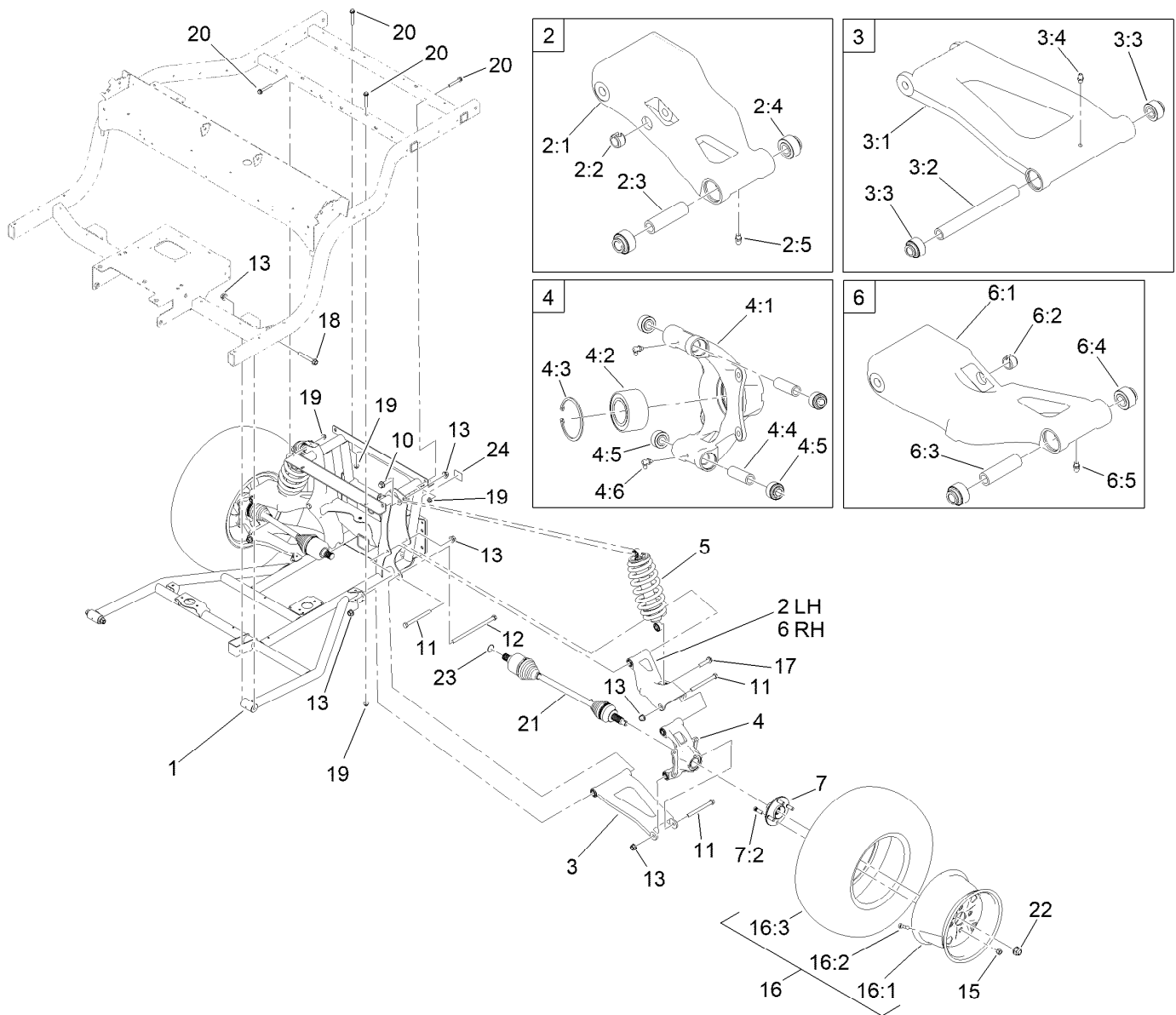
Front Suspension Assembly

| Ref. | Part Number | Qty. | Description | Ref. | Part Number | Qty. | Description |
|------|-------------|------|-----------------------|------|-------------|------|---------------------|
| 1 | 147-2706 | 2 | Strut ASM | 8 | 325-39 | 2 | Screw-HH |
| 2 | 138-9319 | 1 | Knuckle ASM-Front, LH | 9 | 136-9419 | 2 | Tire/Wheel ASM |
| 2:2 | 133-7272 | 1 | Bearing-Ball | 9:1 | 136-9418 | 1 | Wheel-12X7-12 |
| 2:3 | 144-2207 | 1 | Ring-Retaining | 9:2 | 232-27 | 1 | Stem-Valve |
| 3 | 138-9320 | 1 | Knuckle ASM-Front, RH | 9:3 | 137-2689 | 1 | Tire |
| 3:2 | 133-7272 | 1 | Bearing-Ball | 11 | 137-6766 | 2 | Bracket-Hose, Brake |
| 3:3 | 144-2207 | 1 | Ring-Retaining | 12 | 3234-46 | 4 | Screw-HHF |
| 4 | 145-7771 | 2 | Control Arm ASM-Front | 13 | 139-1689 | 6 | Nut-HF |
| 5 | 137-6754 | 2 | Hub ASM | 14 | 115-2398 | 2 | Bolt-HH |
| 5:2 | 137-6760 | 4 | Stud-Wheel | 15 | 3296-48 | 2 | Nut-Hex |
| 7 | 139-2564 | 8 | Nut-Lug | 16 | 112-2844 | 6 | Nut-HF |



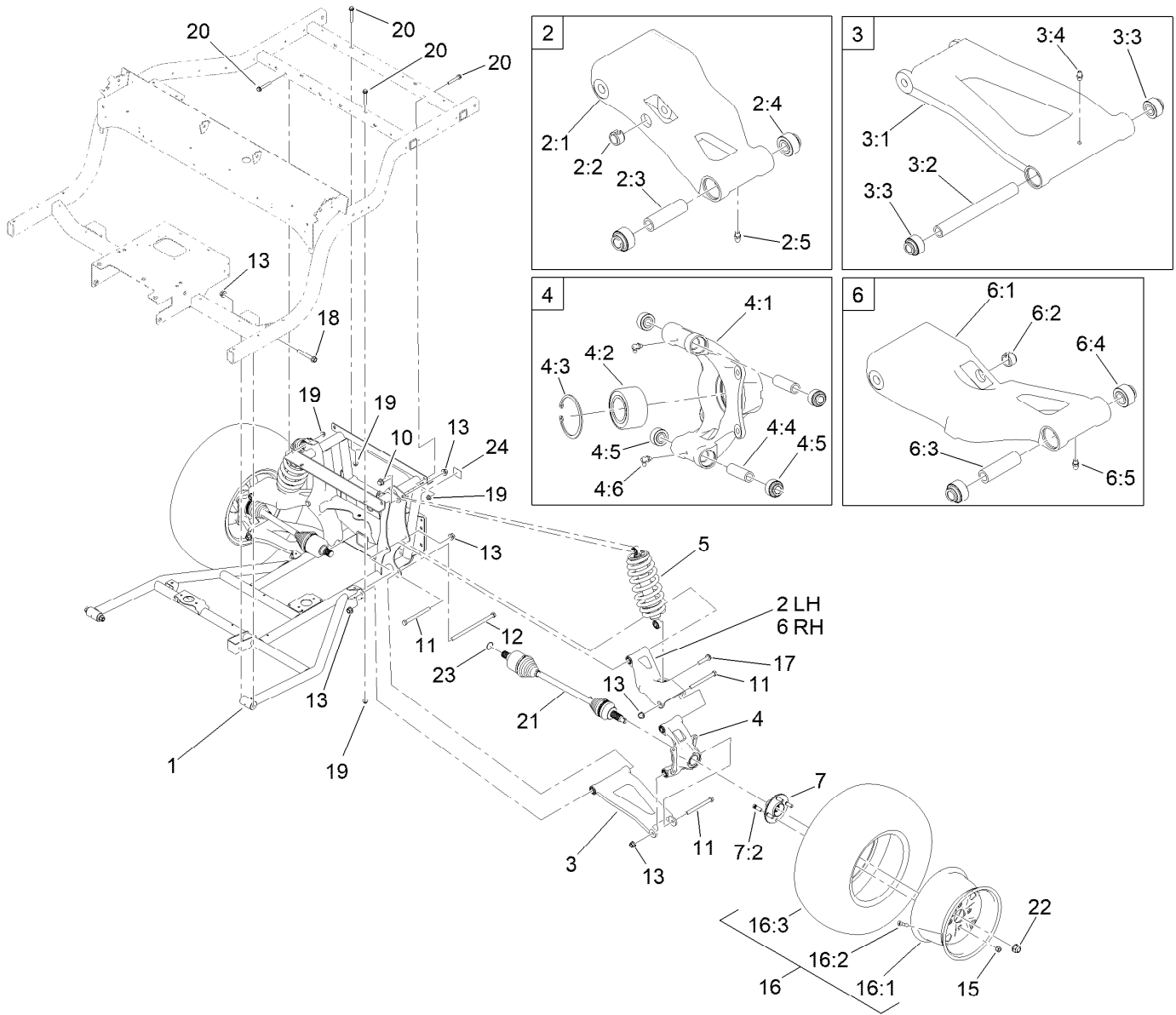
Front Control Arm Assembly No. 145-7771

| <i>Ref.</i> | <i>Part Number</i> | <i>Qty.</i> | <i>Description</i> |
|-------------|--------------------|-------------|--------------------------|
| 1 | 145-7762 | 1 | Control Arm-Front |
| 2 | 115-2165 | 1 | Ball Joint |
| 2:1 | 302-5 | 1 | Fitting-Grease |
| 3 | 32151-104 | 1 | Ring-Retaining, External |
| 4 | 87-2420 | 1 | Seal-Joint, Ball |
| 5 | 145-7757 | 1 | Spacer |
| 6 | 145-7756 | 2 | Bushing-Ball |
| 8 | 302-60 | 1 | Fitting-Grease |



Rear Suspension and Subframe Assembly

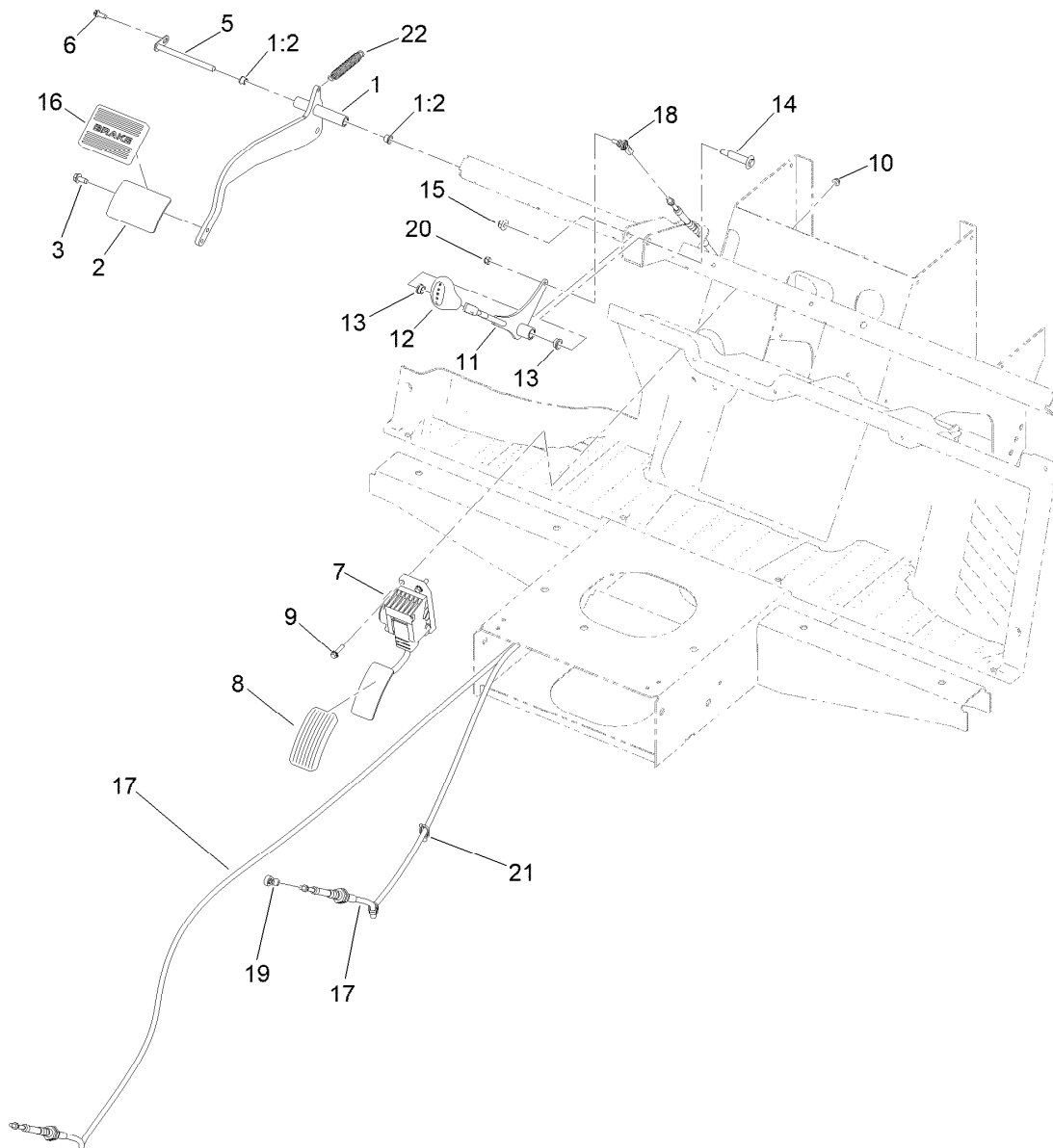
| Ref. | Part Number | Qty. | Description | Ref. | Part Number | Qty. | Description |
|------|-------------|------|--------------------------------|------|-------------|------|--------------------------------|
| 1 | 147-8109 | 1 | Engine Cradle ASM | 6 | 145-7774 | 1 | Control Arm ASM-Rear, RH Upper |
| 2 | 145-7775 | 1 | Control Arm ASM-Rear, LH Upper | 6:1 | 145-7766 | 1 | Control Arm-Rear Up, RH |
| 2:1 | 145-7765 | 1 | Control Arm-Rear Up, LH | 6:2 | 137-2659 | 1 | Bushing-Tension |
| 2:2 | 137-2659 | 1 | Bushing-Tension | 6:3 | 145-7770 | 1 | Spacer |
| 2:3 | 145-7770 | 1 | Spacer | 6:4 | 145-7756 | 2 | Bushing-Ball |
| 2:4 | 145-7756 | 2 | Bushing-Ball | 6:5 | 302-5 | 1 | Fitting-Grease |
| 2:5 | 302-5 | 1 | Fitting-Grease | 7 | 137-6754 | 2 | Hub ASM |
| 3 | 145-7772 | 2 | Control Arm ASM-Rear | 7:2 | 137-6760 | 4 | Stud-Wheel |
| 3:1 | 145-7763 | 1 | Control Arm-Rear, Lower | 10 | 3234-27 | 2 | Screw-HHF |
| 3:2 | 145-7757 | 1 | Spacer | 11 | 325-22 | 6 | Screw-HH |
| 3:3 | 145-7756 | 2 | Bushing-Ball | 12 | 325-39 | 2 | Screw-HH |
| 3:4 | 302-5 | 1 | Fitting-Grease | 13 | 139-1689 | 12 | Nut-HF |
| 4 | 145-7773 | 2 | Knuckle ASM-Rear | 15 | 139-2564 | 8 | Nut-Lug |
| 4:1 | 145-7764 | 1 | Knuckle-Rear | 16 | 136-9420 | 2 | Tire/Wheel ASM |
| 4:2 | 133-7272 | 1 | Bearing-Ball | 16:1 | 136-9418 | 1 | Wheel-12X7-12 |
| 4:3 | 144-2207 | 1 | Ring-Retaining | 16:2 | 232-27 | 1 | Stem-Valve |
| 4:4 | 145-7770 | 2 | Spacer | 16:3 | 137-2690 | 1 | Tire |
| 4:5 | 145-7756 | 4 | Bushing-Ball | 17 | 3234-46 | 2 | Screw-HHF |
| 4:6 | 302-60 | 2 | Fitting-Grease | 18 | 114-8419 | 2 | Screw-HHF |
| 5 | 145-7758 | 2 | Shock/Spring ASM | 19 | 119-4042 | 8 | Nut-HF, NI |



Rear Suspension and Subframe Assembly (continued)

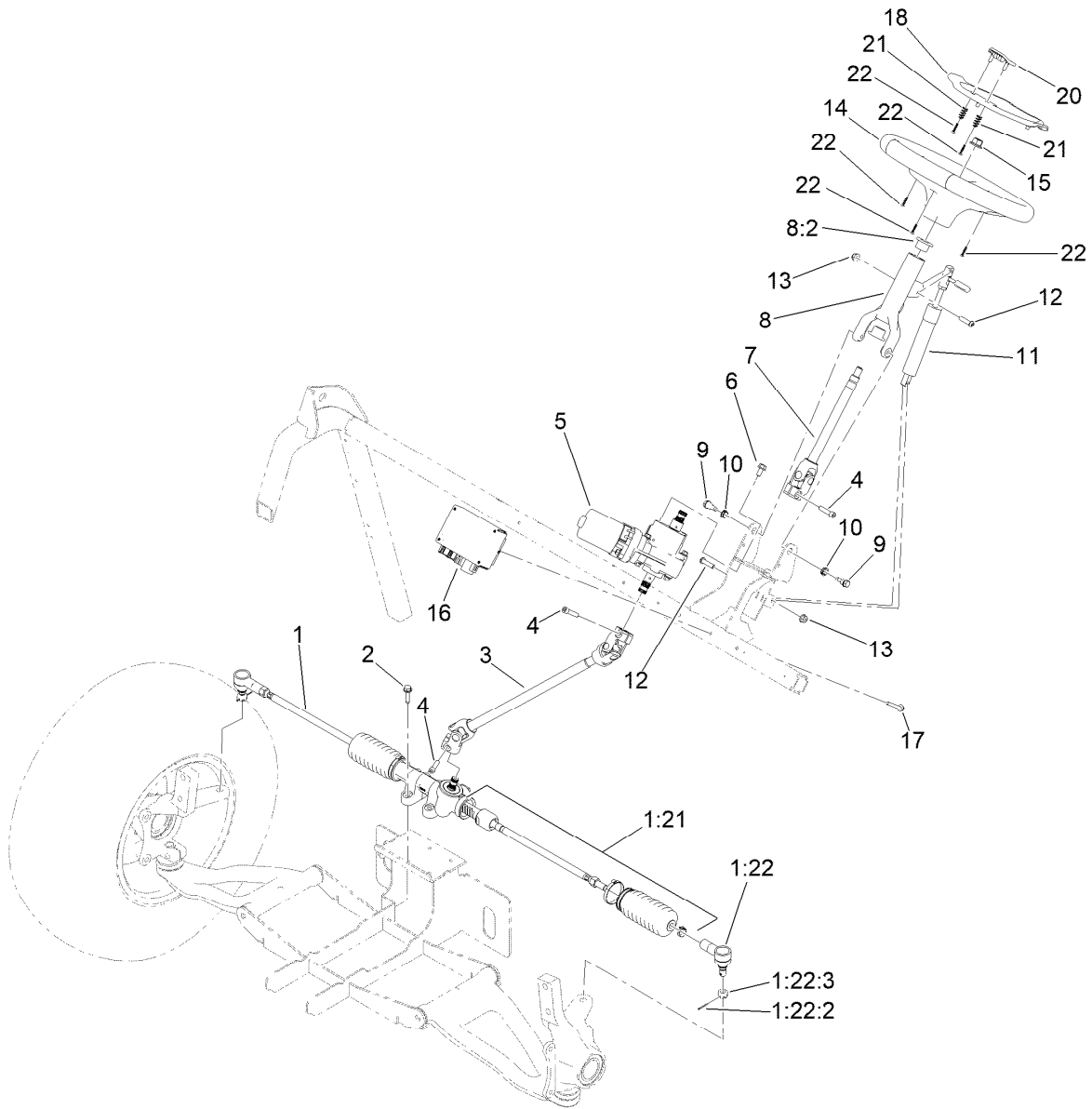
| Ref. | Part Number | Qty. | Description |
|------|-------------|------|-------------|
| 20 | 3234-39 | 8 | Screw-HHF |
| 21 | 140-2608 | 2 | Cv Axle ASM |
| 22 | 115-2164 | 2 | Nut-Spindle |

| Ref. | Part Number | Qty. | Description |
|------|-------------|------|--------------------|
| 23 | 119-1156 | 2 | O-Ring |
| 24 | 145-2205 | 1 | Decal-Load, Towing |



Pedals and Controls Assembly

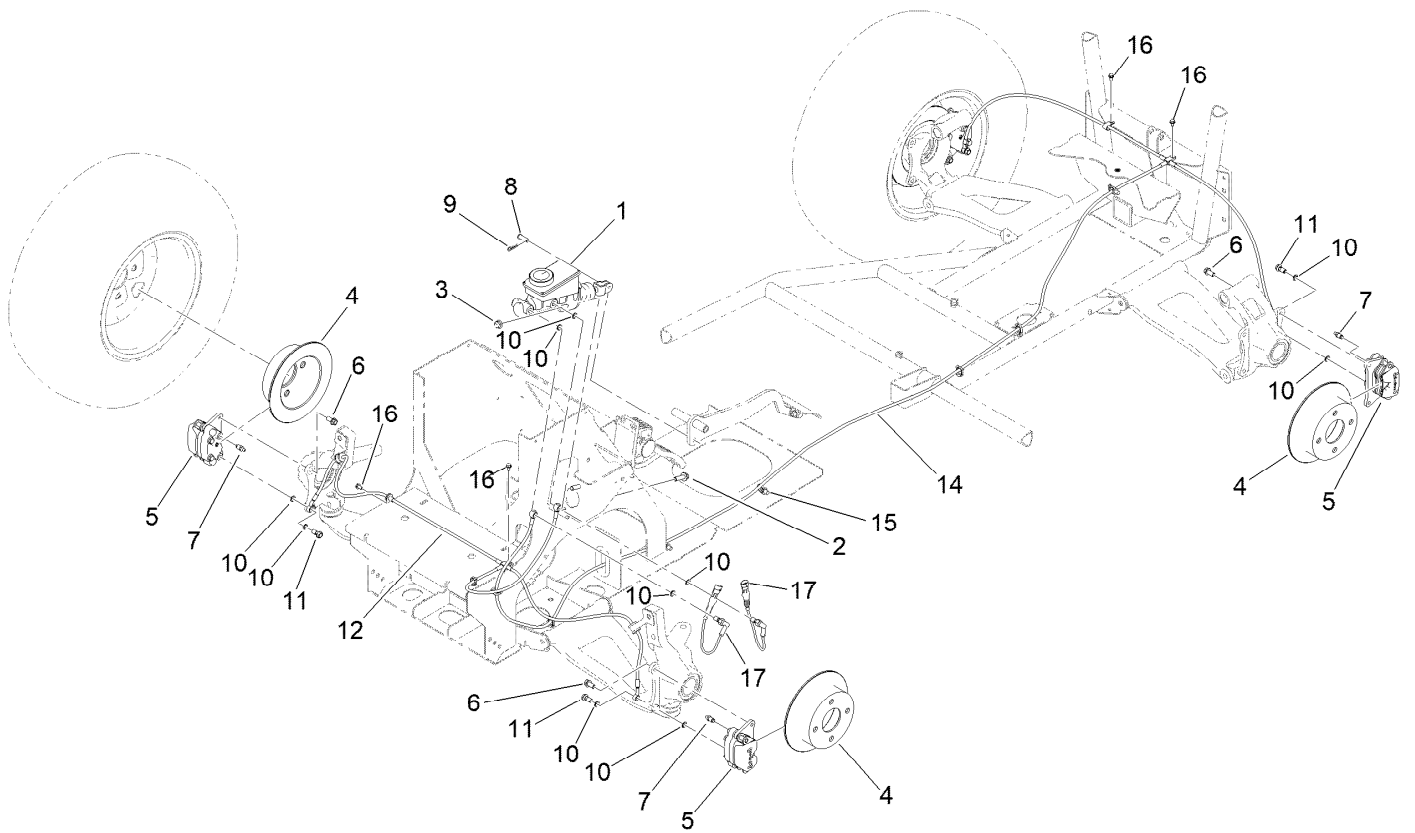
| <i>Ref.</i> | <i>Part Number</i> | <i>Qty.</i> | <i>Description</i> | <i>Ref.</i> | <i>Part Number</i> | <i>Qty.</i> | <i>Description</i> |
|-------------|--------------------|-------------|--------------------------------|-------------|--------------------|-------------|--------------------|
| 1 | 163-4935 | 1 | Brake Pedal ASM | 12 | 139-4655 | 1 | Knob-Shifter |
| 1:2 | 256-116 | 2 | Bushing-Flange | 13 | 256-156 | 2 | Bushing-Flange |
| 2 | 161-5256 | 1 | Brake Pedal Pad ASM [black] | 14 | 92-1057 | 1 | Bolt-Shoulder |
| 3 | 32144-70 | 2 | Screw-HWHTF | 15 | 119-4042 | 1 | Nut-HF, NI |
| 5 | 136-9306 | 1 | Pivot Shaft ASM | 16 | 161-5253 | 1 | Footpad-Pedal |
| 6 | 49-2040 | 1 | Screw-HWHTF | 17 | 140-4652 | 1 | Cable-Shift (Crew) |
| 7 | 144-2740 | 1 | Pedal ASM-Accelerator | 18 | 110-2554 | 1 | Rod End-Spherical |
| 8 | 140-4572 | 1 | Pedal Pad-Throttle | 19 | 147-2705 | 1 | Rod End-Spherical |
| 9 | 120-4654 | 3 | Screw-HHF | 20 | 3296-3 | 1 | Nut-Lock |
| 10 | 104-7201 | 3 | Nut-HF, NI | 21 | 32180-030 | 2 | Clip-Tie |
| 11 | 161-5472 | 1 | Shifter ASM | 22 | 132-6915 | 1 | Spring-Extension |



Steering Assembly

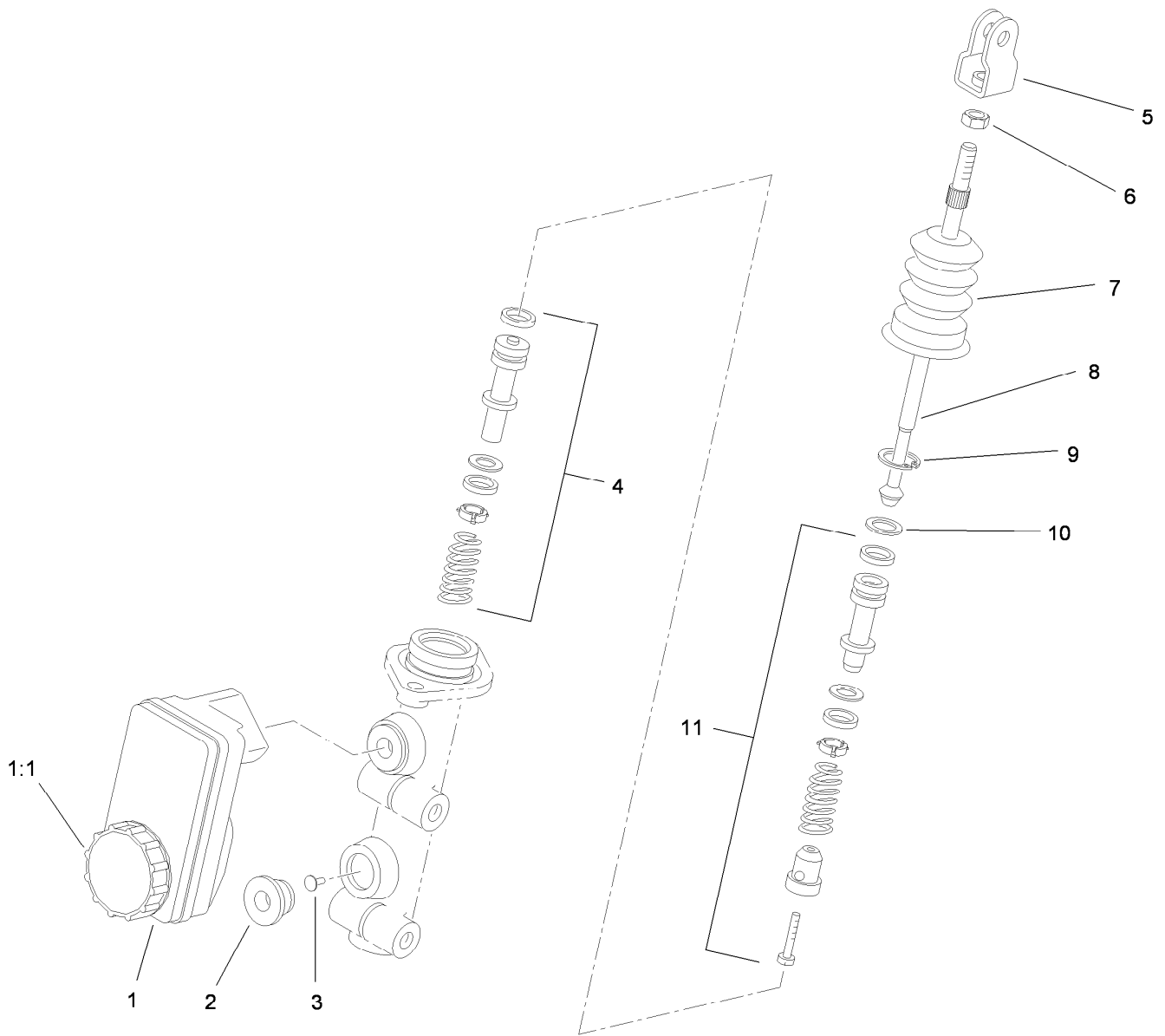
| Ref. | Part Number | Qty. | Description |
|--------|-------------|------|--------------------------|
| 1 | 138-9322 | 1 | Steering Rack ASM |
| 1:21 | 140-4823 | 1 | Kit-Tie Rod ASM, Utx |
| 1:22 | 140-4592 | 1 | Kit-Rod End ASM |
| 1:22:2 | 3272-42 | 1 | Pin-Cotter |
| 1:22:3 | 140-2493 | 1 | Nut-Hex, Slotted |
| 2 | 32144-49 | 4 | Screw-HWHTF |
| 3 | 138-3347 | 1 | Steering Shaft ASM |
| 4 | 145-7145 | 3 | Screw-HSH,Lock |
| 5 | 138-3348 | 1 | Motor-Power Steering |
| 6 | 33104-016 | 3 | Screw-HHF |
| 7 | 138-3344 | 1 | Upper Steering Shaft ASM |
| 8 | 139-4439 | 1 | Tilt Steering Column ASM |
| 8:2 | 133-0594 | 2 | Bushing-Flange |

| Ref. | Part Number | Qty. | Description |
|------|-------------|------|-----------------------------|
| 9 | 115-1958 | 2 | Bolt-Shoulder |
| 10 | 256-156 | 2 | Bushing-Flange |
| 11 | 137-2827 | 1 | Spring-Gas, Adjustable Stop |
| 12 | 3290-511 | 2 | Screw-HSBH |
| 13 | 138-8401 | 2 | Nut-HF |
| 14 | 144-5570 | 1 | Steering Wheel ASM |
| 15 | 139-1689 | 1 | Nut-HF |
| 16 | 138-3349 | 1 | Controller-Power Steering |
| 17 | 33103-050 | 2 | Screw-HHF |
| 18 | 144-5567 | 1 | Cover-Wheel, Steering |
| 20 | 144-5566 | 1 | Clip-Wheel, Steering |
| 21 | 144-5537 | 2 | Spring-Compression |
| 22 | 94-4496 | 5 | Screw-PPH |



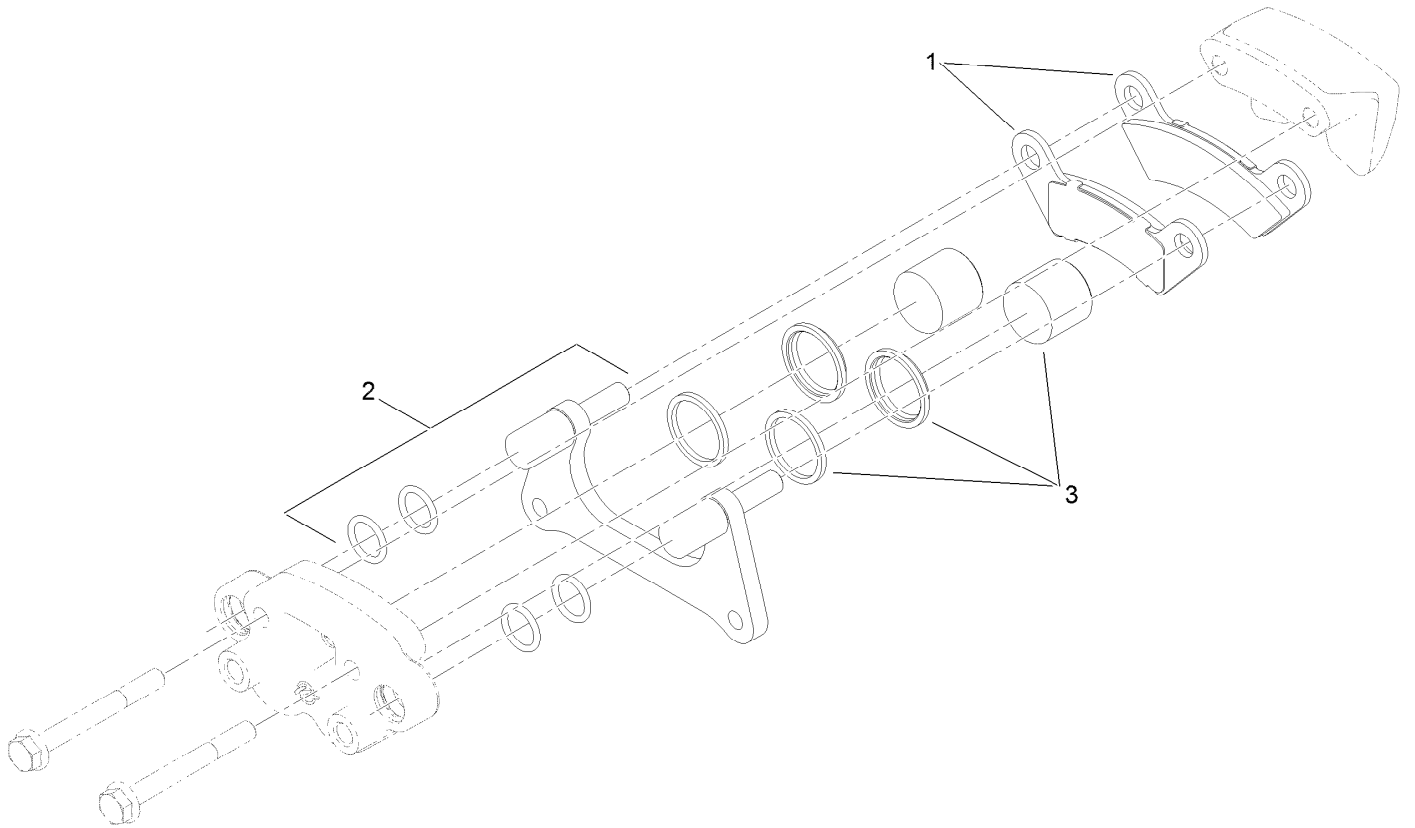
Brake Assembly

| <i>Ref.</i> | <i>Part Number</i> | <i>Qty.</i> | <i>Description</i> | <i>Ref.</i> | <i>Part Number</i> | <i>Qty.</i> | <i>Description</i> |
|-------------|--------------------|-------------|---------------------|-------------|--------------------|-------------|---------------------------------|
| 1 | 104-6782 | 1 | Master Cylinder ASM | 10 | 115-2341 | 12 | Washer-Banjo |
| 2 | 119-4061 | 2 | Screw-HHF | 11 | 120-4875 | 4 | Bolt-Flange, Banjo |
| 3 | 119-4042 | 2 | Nut-HF, NI | 12 | 137-6768 | 1 | Hose ASM-Brake, Front |
| 4 | 133-7273 | 4 | Rotor-Brake | 14 | 139-4403 | 1 | Hose ASM-Brake, Rear (Extended) |
| 5 | 127-7424 | 4 | Brake Caliper ASM | 15 | 32180-030 | 9 | Clip-Tie |
| 6 | 144-5550 | 8 | Screw-Spl | 16 | 32144-4 | 4 | Screw-HWH |
| 7 | 119-9509 | 4 | Screw-Bleed | 17 | 144-2227 | 2 | Switch-Brake, Pressure |
| 8 | 283-2 | 1 | Pin-Clevis | | | | |
| 9 | 1-806003 | 1 | Pin-Cotter | | | | |



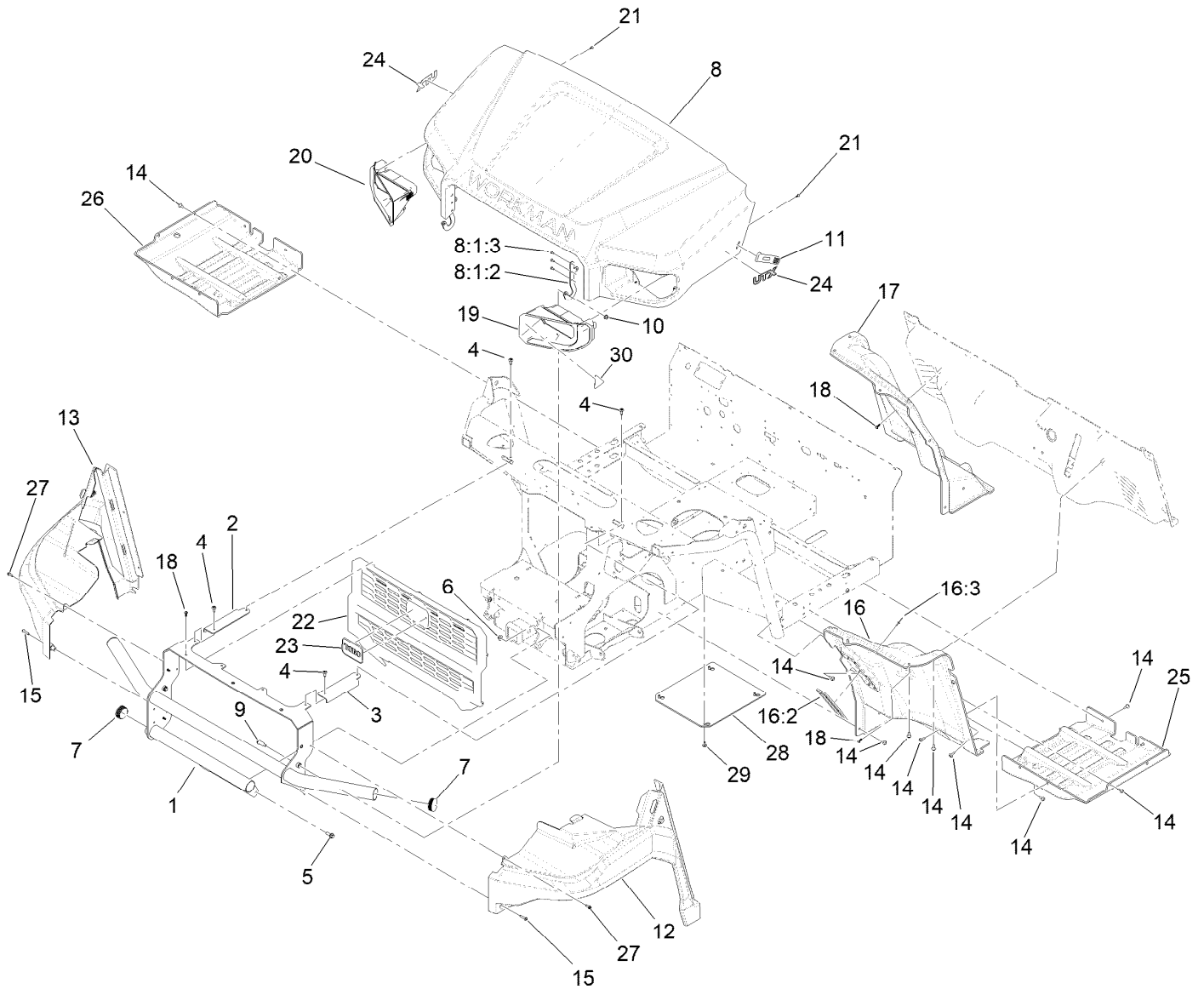
Master Cylinder Assembly No. 104-6782

| Ref. | Part Number | Qty. | Description |
|------|-------------|------|----------------------|
| 1 | 104-6845 | 1 | Reservoir ASM |
| 1:1 | 92-4112 | 1 | Cap ASM |
| 2 | 93-8971 | 2 | Seal-Port, Flange |
| 3 | 92-4103 | 1 | Pin-Stop |
| 4 | 92-4102 | 1 | Secondary Piston ASM |
| 5 | 92-4110 | 1 | Clevis |
| 6 | 21-0360 | 1 | Nut-Hex |
| 7 | 94-5209 | 1 | Cover-Dust |
| 8 | 94-5210 | 1 | Rod-Push |
| 9 | 92-4109 | 1 | Ring-Snap |
| 10 | 92-4108 | 1 | Retainer-Washer |
| 11 | 92-4101 | 1 | Primary Piston ASM |



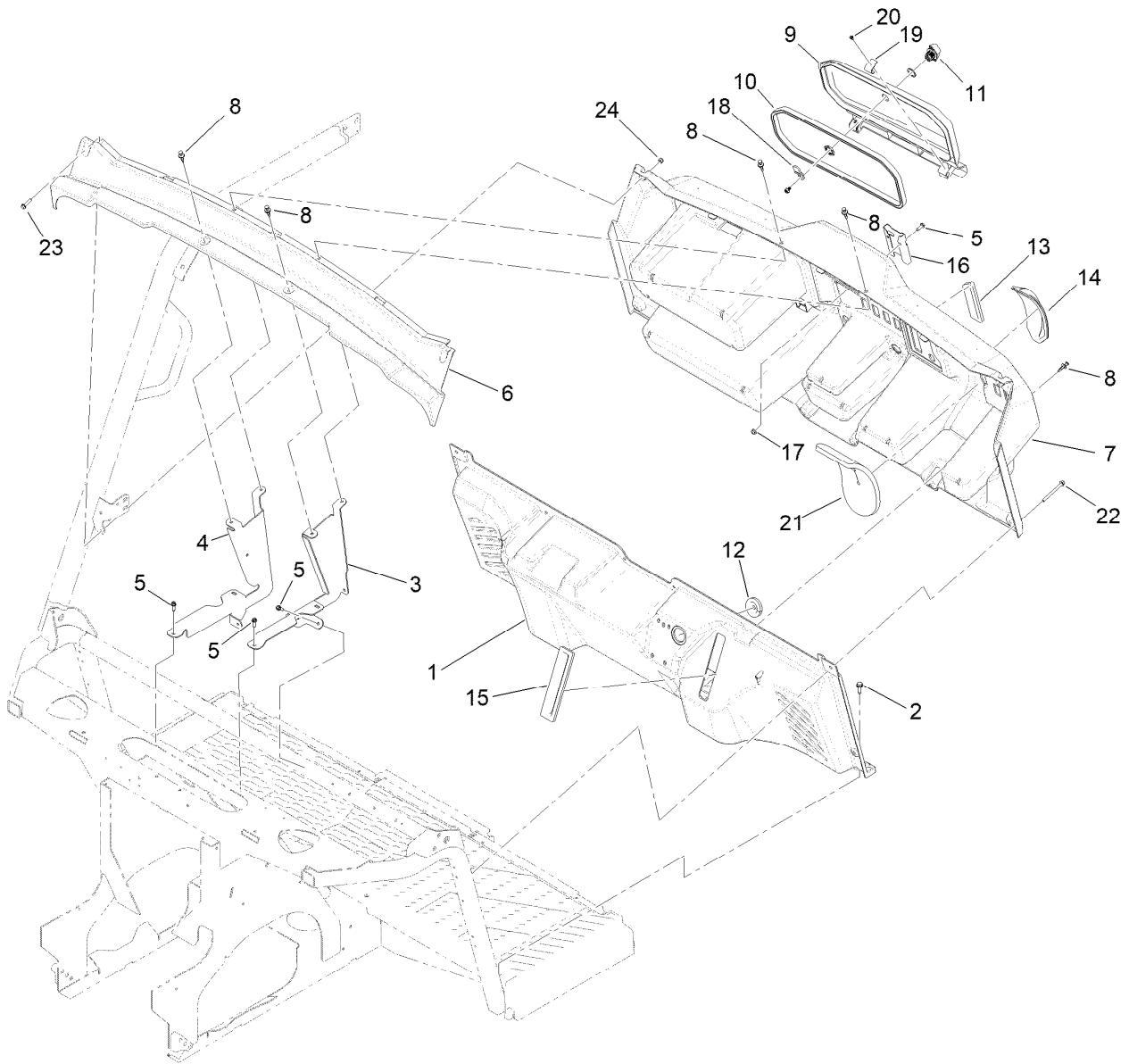
Brake Caliper Assembly No. 127-7424

| <i>Ref.</i> | <i>Part Number</i> | <i>Qty.</i> | <i>Description</i> |
|-------------|--------------------|-------------|--------------------------------------|
| 1 | 140-2580 | 1 | Brake Pad Service Kit (Front, Qty 4) |
| 2 | 119-9511 | 1 | Bracket Kit |
| 3 | 133-0614 | 1 | Piston Kit |



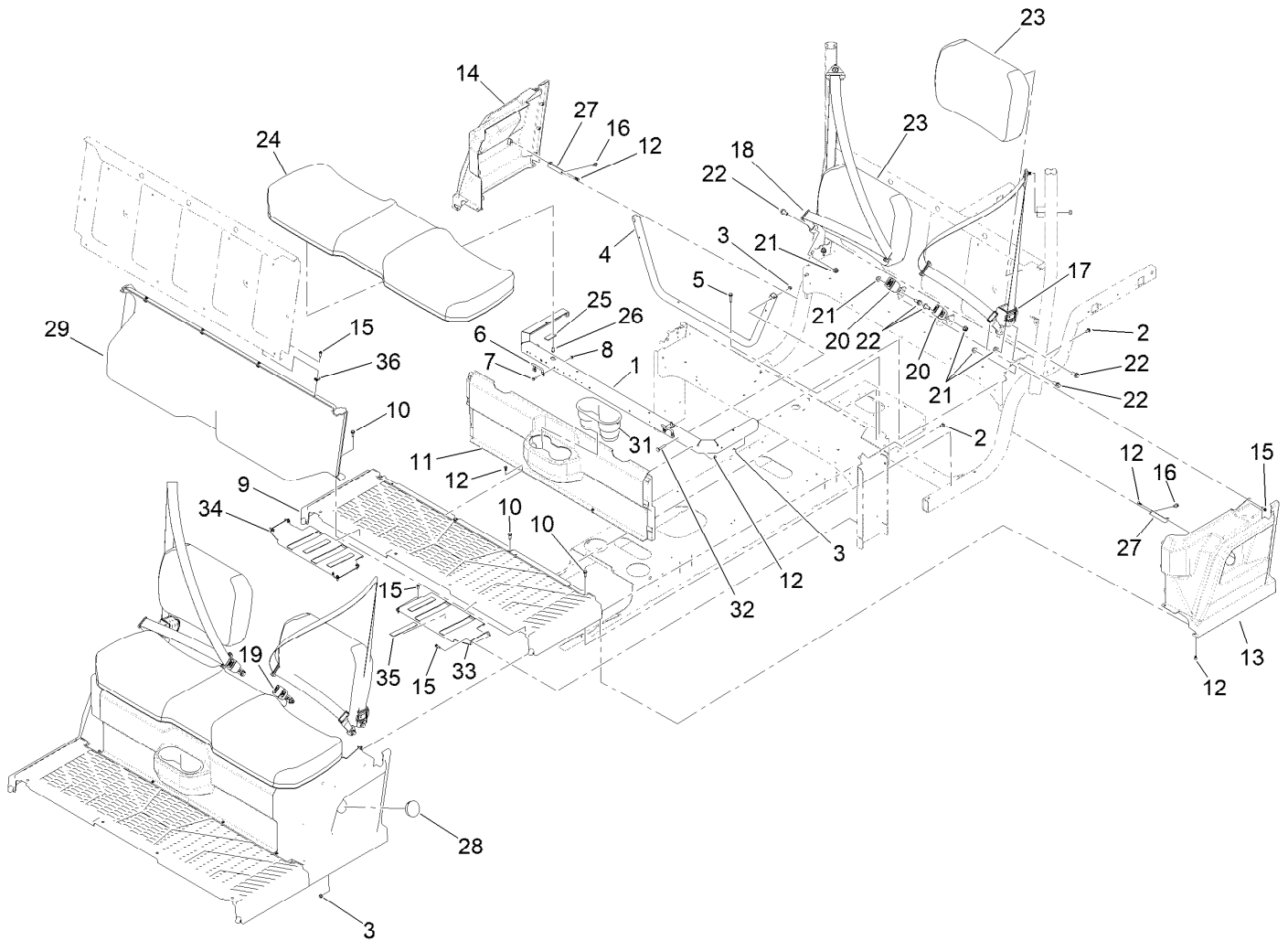
Hood and Front Fender Assembly

| Ref. | Part Number | Qty. | Description | Ref. | Part Number | Qty. | Description |
|-------|-------------|------|----------------------------|------|-------------|------|-----------------------------|
| 1 | 136-9540 | 1 | UTV Bumper ASM | 16 | 161-5471 | 1 | Fender ASM-Inner, LH |
| 2 | 144-2423-05 | 1 | Bracket-Mount, Bumper (RH) | 16:2 | 161-5383 | 1 | Plate-Reinforcement, Fender |
| 3 | 144-2421-05 | 1 | Bracket-Mount, Bumper (LH) | 16:3 | 3269-24 | 6 | Rivet |
| 4 | 138-9753 | 4 | Screw | 17 | 161-5306 | 1 | Fender-Inner, RH |
| 5 | 3234-42 | 2 | Screw-HHF | 18 | 138-5775 | 9 | Screw-Delta Point |
| 6 | 119-4042 | 2 | Nut-HF, NI | 19 | 138-5778 | 1 | Headlight ASM, LH |
| 7 | 137-6827 | 4 | Plug-Plastic | 20 | 138-5779 | 1 | Headlight ASM, RH |
| 8 | 137-6820SP | 1 | UTV Hood ASM | 21 | 139-3430 | 8 | Screw-Bhf |
| 8:1:2 | 137-6817 | 2 | Bracket-Pivot, Hood | 22 | 140-4646 | 1 | Grill-Utx |
| 8:1:3 | 114439 | 6 | Rivet-Blind | 23 | 144-2294 | 1 | Emblem-Toro |
| 9 | 136-7192 | 2 | Bolt-Shoulder, HHF | 24 | 144-1145 | 2 | Decal-Utx, Emblem |
| 10 | 119-4041 | 2 | Nut-HF | 25 | 161-5309 | 1 | Plate-Skid, LH (Crew) |
| 11 | 137-6856 | 2 | Strap-Hood | 26 | 161-5310 | 1 | Plate-Skid, RH (Crew) |
| 12 | 137-2816SP | 1 | Fender-Front, LH | 27 | 49-2040 | 2 | Screw-HWHTF |
| 13 | 137-2817SP | 1 | Fender-Front, RH | 28 | 163-4942 | 2 | Plate-Cover, Center |
| 14 | 119-4012 | 38 | Screw-HWHTF | 29 | 126-6266 | 8 | Screw-Tph |
| 15 | 132-6777 | 2 | Screw-Twh Thd Roll | 30 | 161-5222 | 2 | Decal-Reflector, Fender |



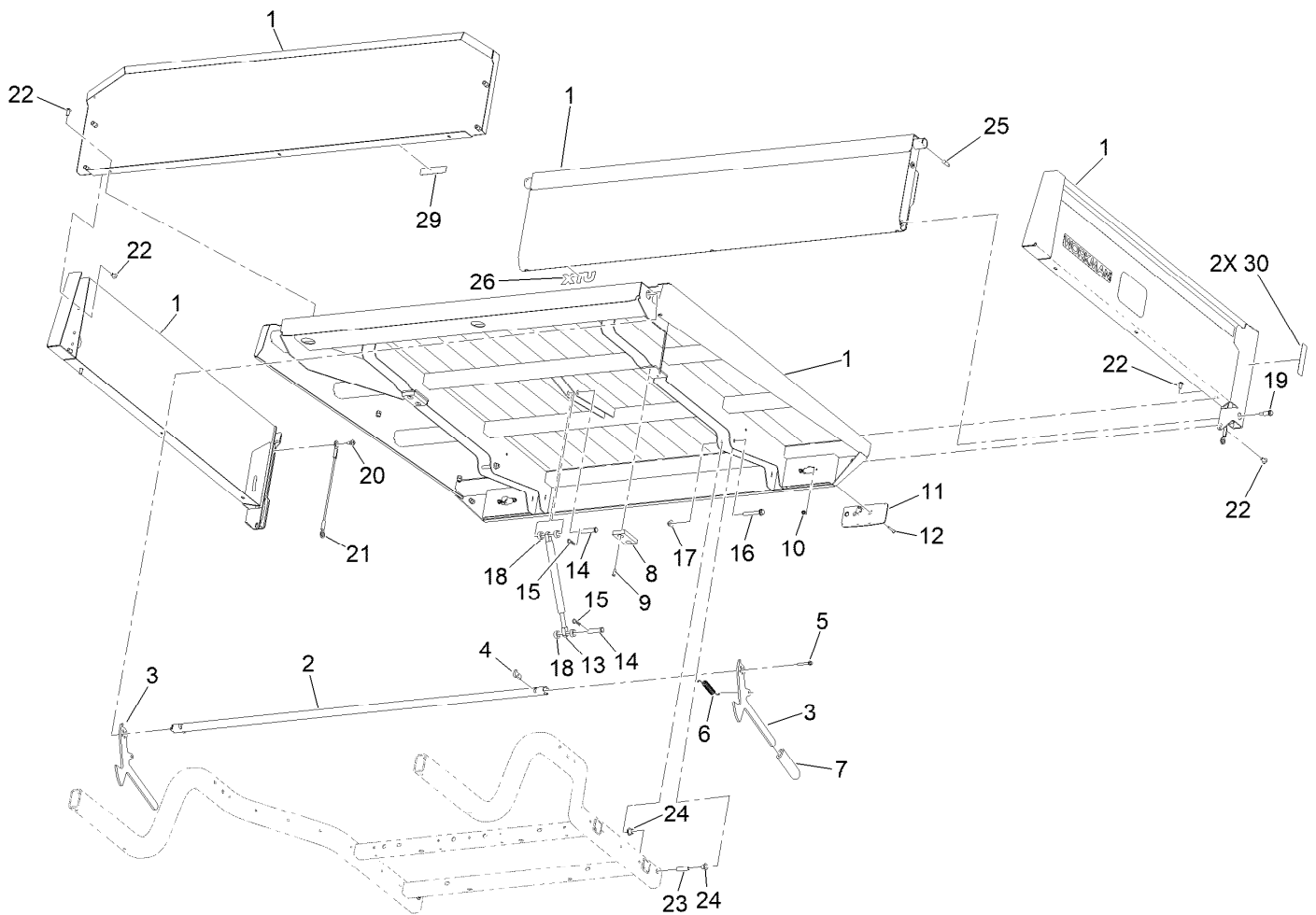
Dash Assembly

| <i>Ref.</i> | <i>Part Number</i> | <i>Qty.</i> | <i>Description</i> | <i>Ref.</i> | <i>Part Number</i> | <i>Qty.</i> | <i>Description</i> |
|-------------|--------------------|-------------|------------------------|-------------|--------------------|-------------|----------------------------|
| 1 | 137-2749SP | 1 | Footboard | 14 | 161-5261 | 1 | Grommet-Steering Column |
| 2 | 701243 | 4 | Screw-Thd Roll, HWH | 15 | 161-5262 | 1 | Grommet-Brake Pedal |
| 3 | 145-2174-03 | 1 | Bracket-Dash, LH | 16 | 139-3449-05 | 1 | Bracket-Mount, Radio |
| 4 | 145-2178-03 | 1 | Bracket-Dash, RH | 17 | 104-7201 | 4 | Nut-HF, NI |
| 5 | 49-2040 | 8 | Screw-HWHTF | 18 | 140-4680 | 1 | Cam-Latch, Quarter Turn |
| 6 | 138-0041SP | 1 | Panel-Windshield, Dash | 19 | 145-0840 | 2 | Bracket-Glove Box |
| 7 | 138-0040SP | 1 | Dash | 20 | 32144-42 | 2 | Screw-Thd Form, HWH |
| 8 | 125-9622 | 8 | Rivet-Blind | 21 | 147-2822 | 1 | Seal-Foam, Steering Column |
| 9 | 138-0039SP | 1 | Door-Glove Box | 22 | 138-3653 | 2 | Screw-HHF |
| 10 | 139-3462 | 1 | Seal-Door, Glove Box | 23 | 32144-86 | 2 | Screw-HWHTF |
| 11 | 140-4679 | 1 | Latch-Quarter Turn | 24 | 3296-73 | 2 | Nut-Lock, NI |
| 12 | 163-4938 | 1 | Grommet | | | | |
| 13 | 161-5260 | 1 | Grommet-Shifter | | | | |



Seat Base Assembly

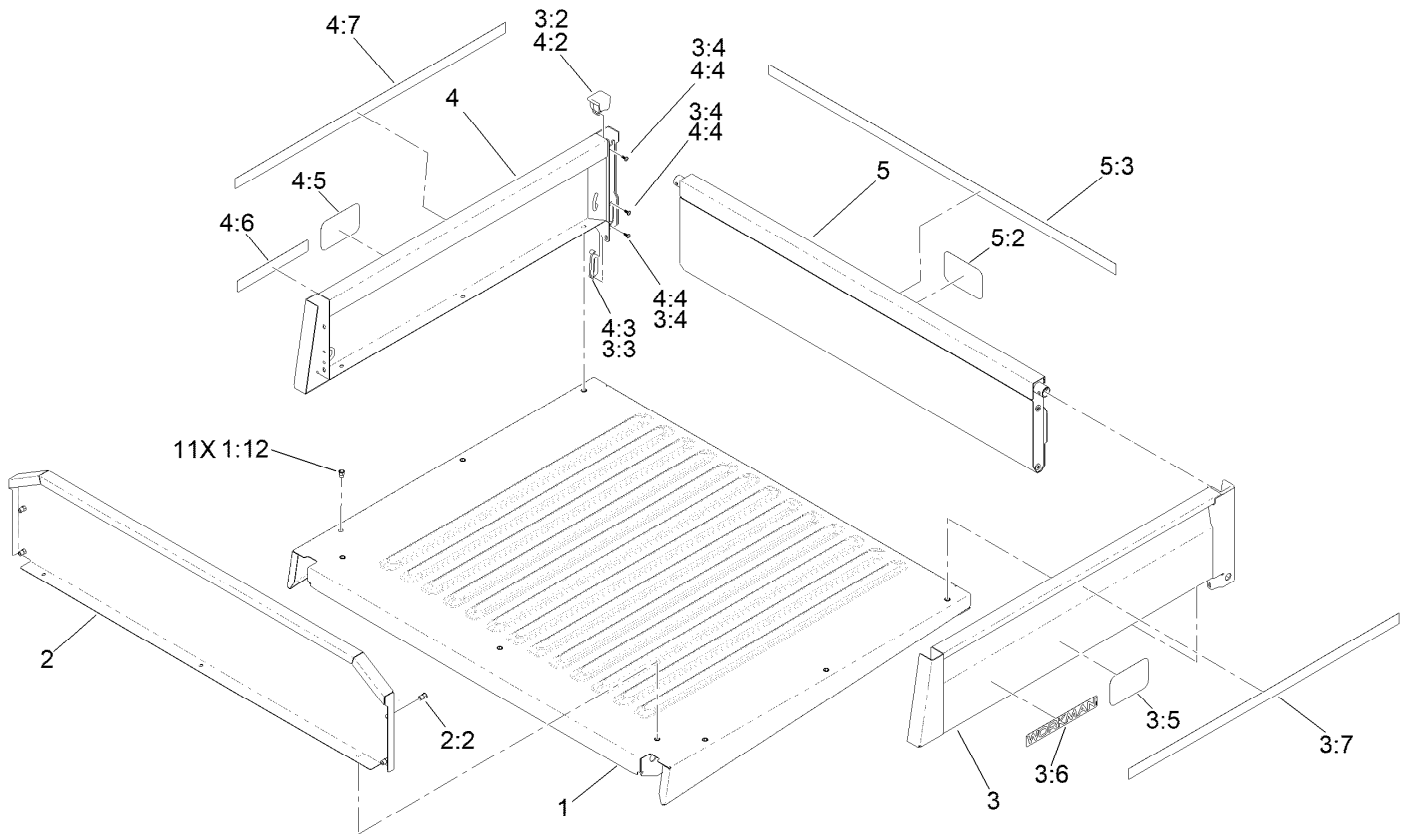
| <i>Ref.</i> | <i>Part Number</i> | <i>Qty.</i> | <i>Description</i> | <i>Ref.</i> | <i>Part Number</i> | <i>Qty.</i> | <i>Description</i> |
|-------------|--------------------|-------------|-------------------------|-------------|--------------------|-------------|------------------------------|
| 1 | 137-6896-03 | 2 | Frame-Seat, Bottom | 19 | 140-2678 | 1 | Buckle-Seat Belt, W/Switch |
| 2 | 137-3061 | 4 | Bolt-CARR | 20 | 140-2679 | 3 | Buckle-Seat Belt |
| 3 | 119-4041 | 8 | Nut-HF | 21 | 144-2269 | 16 | Nut-Nylk, HF |
| 4 | 137-2746-0P | 2 | Tube-Support, Seat | 22 | 144-2289 | 12 | Screw-HHF |
| 5 | 32144-57 | 4 | Screw-Thd Roll | 23 | 145-2211 | 4 | Seat Backrest ASM |
| 6 | 137-6888 | 4 | Wire-Hinge | 24 | 145-2207 | 2 | Bench Seat Bottom ASM |
| 7 | 321-3 | 8 | Screw-HH | 25 | 145-7954 | 4 | Bracket-Hinge, Seat |
| 8 | 104-7201 | 8 | Nut-HF, NI | 26 | 3274-55 | 4 | Screw-HSBH |
| 9 | 137-6874SP | 2 | Plate-Floor | 27 | 138-9411 | 2 | Support-Panel-Side |
| 10 | 701243 | 12 | Screw-Thd Roll, HWH | 28 | 136-9791 | 1 | Plug-Panel |
| 11 | 137-6875SP | 2 | Panel-Seat Base | 29 | 137-2949 | 1 | Panel-Rear, Seat |
| 12 | 138-5775 | 28 | Screw-Delta Point | 31 | 139-3454 | 2 | Cup Holder |
| 13 | 137-2813SP | 2 | Panel-Seat Base, LH | 32 | 3230-5 | 4 | Bolt-CARR |
| 14 | 137-2814SP | 2 | Panel-Seat Base, RH | 33 | 145-2183-0P | 1 | Bracket-Stiffener, Footboard |
| 15 | 49-2040 | 28 | Screw-HWHTF | 34 | 145-2184-0P | 1 | Bracket-Stiffener, Footboard |
| 16 | 32144-70 | 2 | Screw-HWHTF | 35 | 145-2182 | 4 | Adhesive-Strip |
| 17 | 140-2676 | 2 | Retractor-Seat Belt, LH | 36 | 107069 | 4 | Clip |
| 18 | 140-2677 | 2 | Retractor-Seat Belt, RH | | | | |



Cargo Bed Assembly

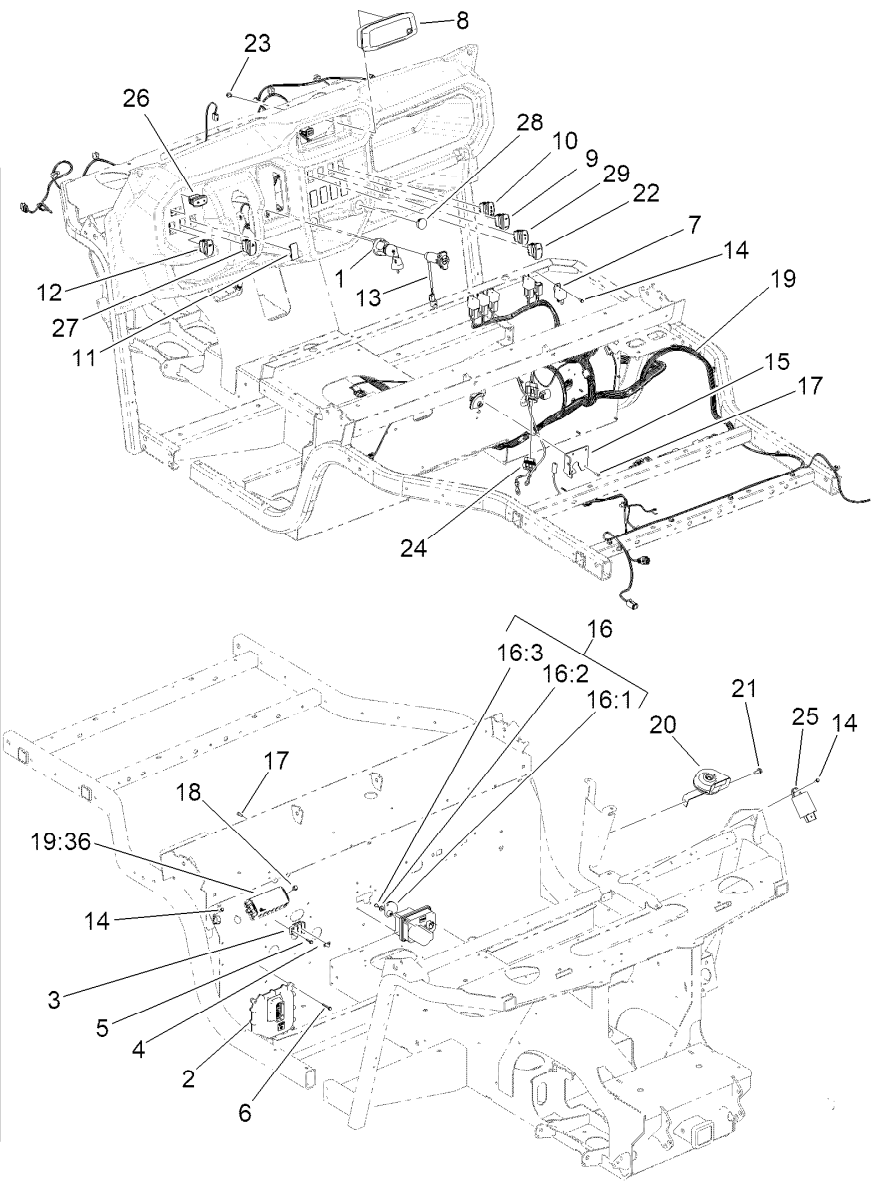
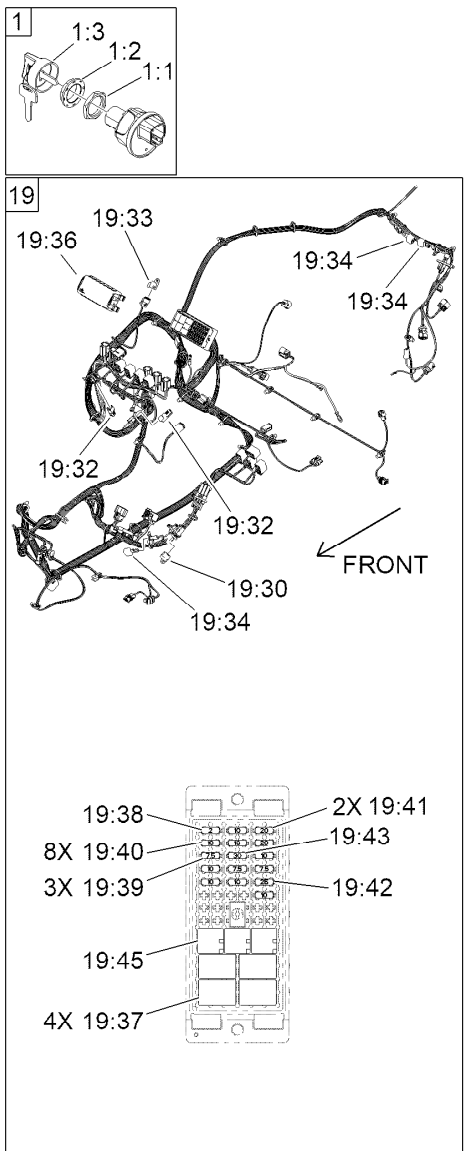
| Ref. | Part Number | Qty. | Description | Ref. | Part Number | Qty. | Description |
|------|-------------|------|---------------------------|------|-------------|------|------------------------------|
| 1 | | 1 | Cargo Bed Kit ● | 16 | 3234-39 | 2 | Screw-HHF |
| 2 | 139-4421-03 | 1 | Tube-Latch | 17 | 119-4042 | 2 | Nut-HF, NI |
| 3 | 147-2709 | 2 | Latch-Bed | 18 | 66-6500 | 4 | Spacer-Wheel |
| 4 | 139-4422 | 2 | Plate-Threaded | 19 | 147-2747 | 2 | Screw-Shoulder,HHF,Lock |
| 5 | 147-2746 | 2 | Screw-HHF,Lock | 20 | 120-9471 | 4 | Bolt-Shoulder |
| 6 | 140-2663 | 2 | Spring-Extension | 21 | 130-5726 | 2 | Lanyard |
| 7 | 1-633268 | 2 | Grip-Lever | 22 | 138-9753 | 15 | Screw |
| 8 | 93-9719 | 2 | Block-Wear | 23 | 144-2211 | 2 | Sleeve-Pivot, Bed |
| 9 | 3274-69 | 4 | Screw-HSBH | 24 | 125-5239 | 4 | Bushing-Flange |
| 10 | 120-4578 | 4 | Nut-HF | 25 | 133-7146 | 2 | Plug-Tailgate, Anti-Rattle |
| 11 | 139-2071 | 2 | Light-Rear Tail/Stop/Turn | 26 | 144-1145 | 1 | Decal-Utx, Emblem |
| 12 | 3250-52 | 4 | Screw-PPH | 29 | 144-2293 | 1 | Decal-Cargo Bed Safety, Crew |
| 13 | 139-4417 | 1 | Spring-Gas | 30 | 161-5428 | 2 | Decal-Reflector, Rear |
| 14 | 283-5 | 2 | Pin-Clevis | | | | |
| 15 | 3290-467 | 2 | Pin-Hair | | | | |

● Not serviced separately



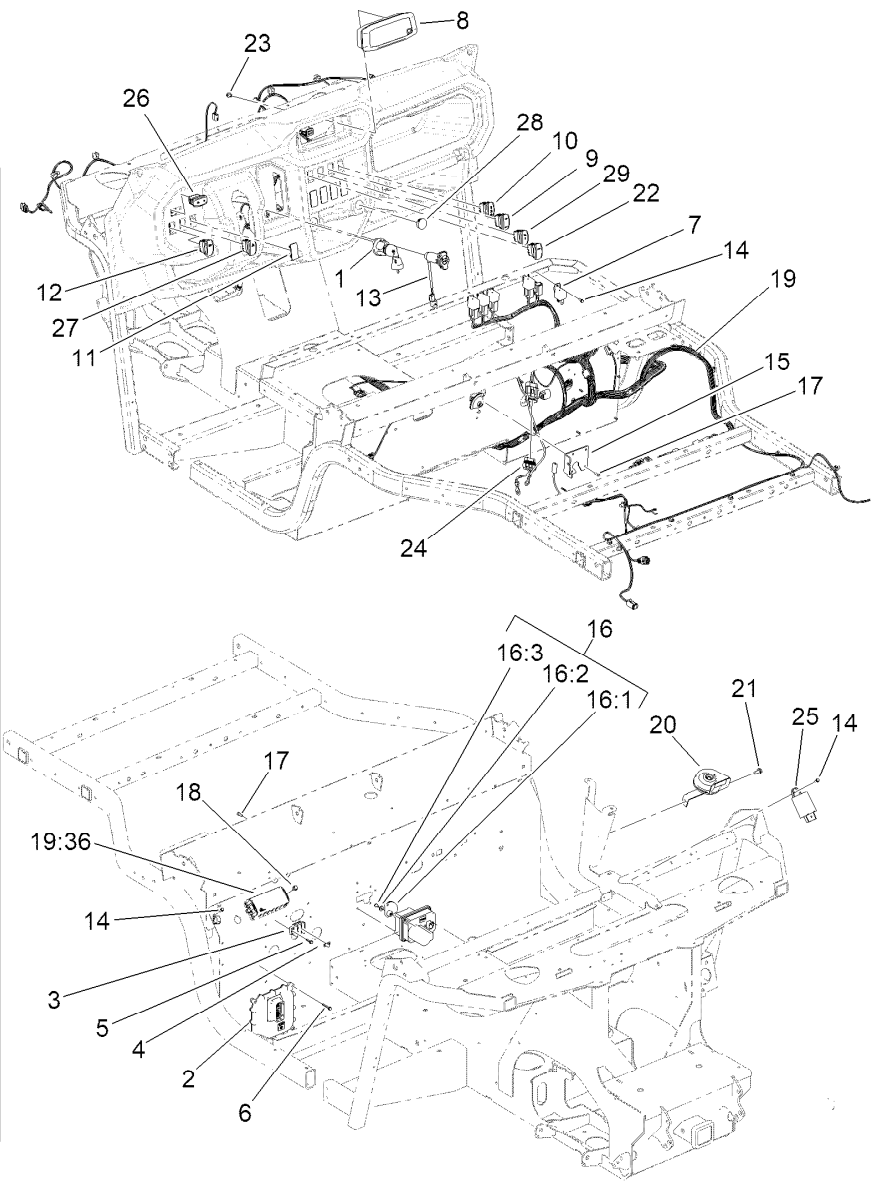
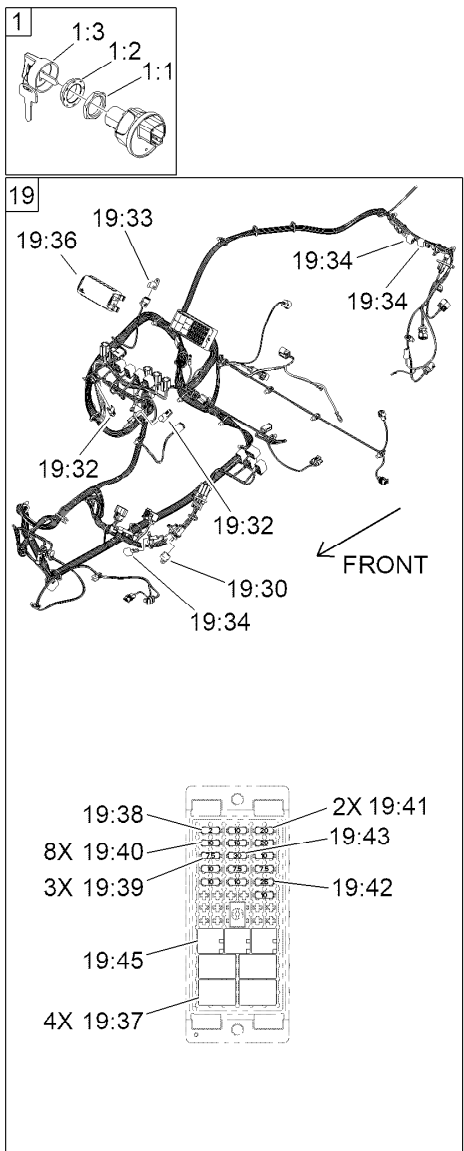
Cargo Bed Kit Assembly

| <i>Ref.</i> | <i>Part Number</i> | <i>Qty.</i> | <i>Description</i> | <i>Ref.</i> | <i>Part Number</i> | <i>Qty.</i> | <i>Description</i> |
|-------------|--------------------|-------------|-----------------------|-------------|--------------------|-------------|--------------------------|
| 1 | 147-2750 | 1 | Flat Bed ASM | 4 | 147-8104 | 1 | Bed Side ASM, RH |
| 1:12 | 138-2899 | 15 | Nut-Clinch | 4:2 | 140-2690 | 1 | Retainer-Tailgate |
| 2 | 140-4675 | 1 | Panel ASM-Front, Bed | 4:3 | 139-4690 | 1 | Bushing-Tailgate |
| 2:2 | 138-2899 | 4 | Nut-Clinch | 4:4 | 138-5775 | 3 | Screw-Delta Point |
| 3 | 147-8103 | 1 | Bed Side ASM, LH | 4:5 | 105-1217 | 1 | Decal |
| 3:2 | 140-2690 | 1 | Retainer-Tailgate | 4:6 | 140-4835 | 1 | Decal-Workman, Gray |
| 3:3 | 139-4690 | 1 | Bushing-Tailgate | 4:7 | 144-2277 | 1 | Decal-Red Stripe, 43" |
| 3:4 | 138-5775 | 3 | Screw-Delta Point | 5 | 147-8102 | 1 | Tailgate ASM |
| 3:5 | 105-1217 | 1 | Decal | 5:2 | 105-1217 | 1 | Decal |
| 3:6 | 140-4835 | 1 | Decal-Workman, Gray | 5:3 | 144-2281 | 1 | Decal-Red Stripe, 55.25" |
| 3:7 | 144-2277 | 1 | Decal-Red Stripe, 43" | | | | |



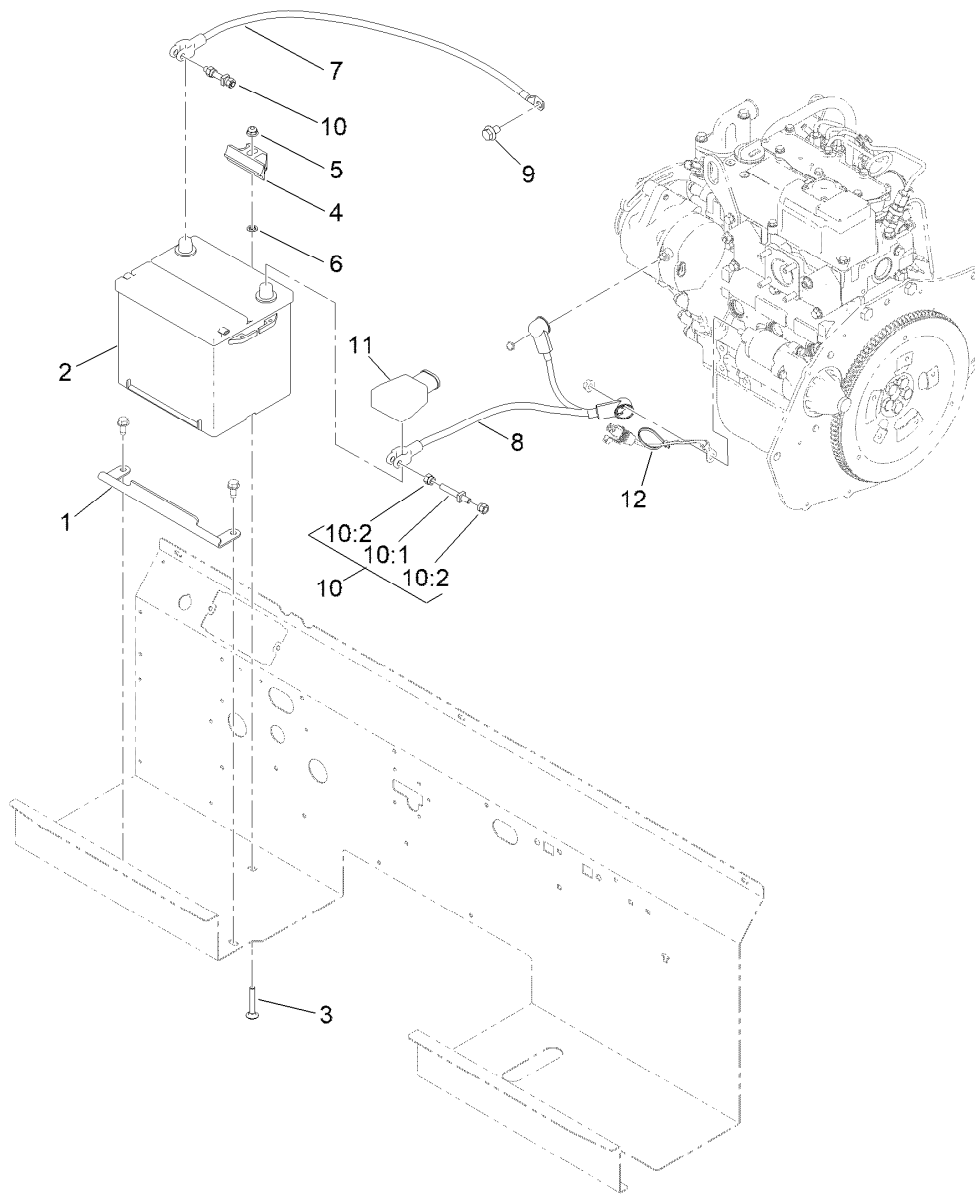
Electrical Assembly

| Ref. | Part Number | Qty. | Description | Ref. | Part Number | Qty. | Description |
|------|-------------|------|---------------------------|-------|-------------|------|--------------------------------------|
| 1 | 121-5159 | 1 | Switch-Ignition | 16:1 | 137-9945 | 1 | Bellcrank-Actuator, Throttle |
| 1:1 | 121-5160 | 1 | Nut-Hex | 16:2 | 111-6953 | 1 | Washer Plain |
| 1:2 | 122-2704 | 1 | Nut-Face, M22 (Plastic) | 16:3 | 47-2830 | 1 | Screw |
| 1:3 | 121-5162 | 1 | Set-Key, Ignition | 17 | 60-6910 | 4 | Screw-HH |
| 2 | 127-2770 | 1 | Controller | 18 | 33103-012 | 2 | Screw-HHF |
| 3 | 42862 | 1 | Block-Terminal, Ground | 19 | 122-2167 | 1 | Harness-Wire, Utx Diesel 4 Passenger |
| 4 | 42863 | 1 | Strip-Jumper | 19:30 | 32180-156 | 1 | Cap-Plug, 6 Way |
| 5 | 100-4351 | 2 | Screw-HWH | 19:32 | 32180-282 | 2 | Conn, Res, 120 Ohm |
| 6 | 32144-110 | 4 | Screw-HWH | 19:33 | 32180-089 | 1 | Cap-Plug, 3 Way |
| 7 | 99-7435 | 5 | Relay | 19:34 | 100-4918 | 3 | Diode |
| 8 | 147-8095 | 1 | Cluster-Instrument | 19:36 | 32180-393 | 1 | Cover-Chief, Bric |
| 9 | 144-2440 | 1 | Switch-Rocker, On-None-On | 19:37 | 126-3991 | 4 | Relay-Micro |
| 10 | 144-2445 | 1 | Switch-Rocker, On-On-On | 19:38 | 121-8861 | 1 | Fuse-Mini Blade, 2 Amp |
| 11 | 99-7420 | 5 | Plug-Hole | 19:39 | 121-8865 | 3 | Fuse-Mini Blade, 7.5 Amp |
| 12 | 144-2405 | 1 | Switch-Rocker, On-None-On | 19:40 | 121-8866 | 8 | Fuse-Mini Blade, 10 Amp |
| 13 | 139-3420 | 1 | Port-USB | 19:41 | 121-8868 | 2 | Fuse-Mini Blade, 20 Amp |
| 14 | 32144-112 | 7 | Screw-HWH | 19:42 | 121-8869 | 1 | Fuse-Mini Blade, 25 Amp |
| 15 | 138-5610 | 1 | Bracket-Cable, Actuator | 19:43 | 121-8870 | 1 | Fuse-Mini Blade, 30 Amp |
| 16 | 136-9434 | 1 | Actuator ASM-Throttle | 19:45 | 126-6157 | 4 | Relay-Micro 280, Spdt |
| | | | | 20 | 139-4557 | 1 | Horn-ASM |



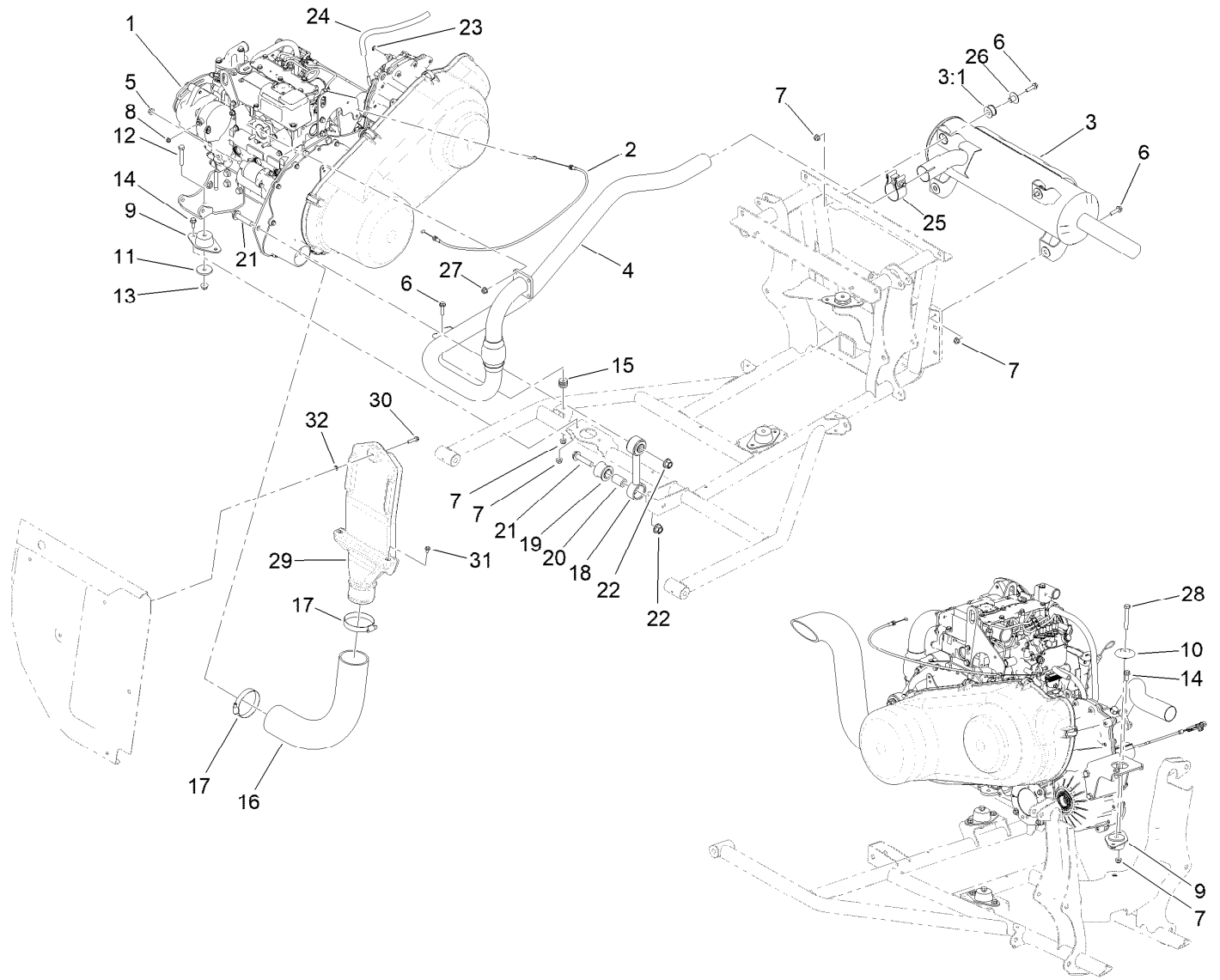
Electrical Assembly (continued)

| <i>Ref.</i> | <i>Part Number</i> | <i>Qty.</i> | <i>Description</i> | <i>Ref.</i> | <i>Part Number</i> | <i>Qty.</i> | <i>Description</i> |
|-------------|--------------------|-------------|---------------------------------|-------------|--------------------|-------------|------------------------------|
| 21 | 32144-70 | 1 | Screw-HWHTF | 26 | 144-2425 | 1 | Switch-Rocker, On-Off-On |
| 22 | 144-2415 | 1 | Switch-Rocker, (On)-None-Off | 27 | 144-2400 | 1 | Switch-Rocker, On-None-On |
| 23 | 3234-13 | 2 | Screw-HHF | 28 | 145-2160 | 1 | Plug-Panel |
| 24 | 99-3441 | 1 | Harness-Wire, Fusible Link | 29 | 145-2200 | 1 | Switch-Rocker, (On)-On-Off |
| 25 | 139-2080 | 1 | Flasher-Dual Rate | | | | |



Battery Assembly

| Ref. | Part Number | Qty. | Description |
|------|-------------|------|----------------------------|
| 1 | 147-8051 | 1 | Hold Down-Battery |
| 2 | 106-5187 | 1 | Battery- Dry, 12V, 525 CCA |
| 3 | 3230-6 | 1 | Bolt-CARR |
| 4 | 138-6335 | 1 | Retainer-Battery |
| 5 | 119-4041 | 1 | Nut-HF |
| 6 | 109-5667 | 1 | Nut-Push |
| 7 | 122-1781 | 1 | Cable-Battery, Bk ASM |
| 8 | 122-1782 | 1 | Cable-Battery, Rd ASM |
| 9 | 33105-016 | 1 | Screw-HHF |
| 10 | 112-9921 | 2 | Bolt ASM |
| 10:1 | 32180-107 | 1 | Bolt-Clamp, Battery |
| 10:2 | 32180-108 | 2 | Nut-Hex Shoulder |
| 11 | 32180-110 | 1 | Insulator-Lead Cast |
| 12 | 3290-378 | 1 | Tie-Cable |



Engine Drivetrain and Exhaust Assembly

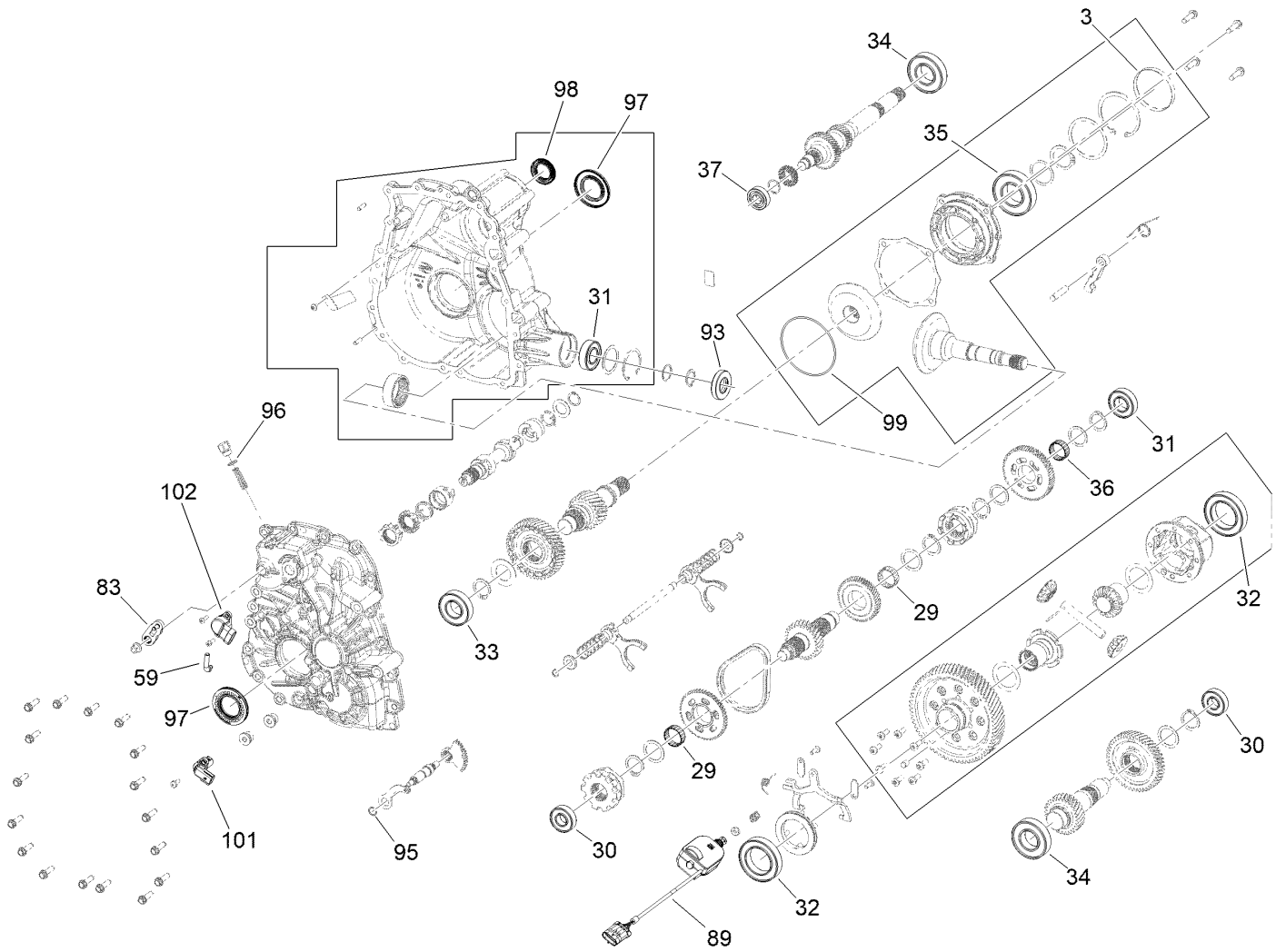
| Ref. | Part Number | Qty. | Description | Ref. | Part Number | Qty. | Description |
|------|-------------|------|---------------------------------|------|-------------|------|----------------------------|
| 1 | | 1 | Engine/Drivetrain ASM ● | 16 | 147-2704 | 1 | Duct-Inlet, Cvt |
| 2 | 137-9931 | 1 | Cable-Throttle Actuator, Diesel | 17 | 2412-125 | 2 | Clamp-Hose |
| 3 | 138-9335 | 1 | Muffler ASM (With Mounts) | 18 | 140-4685 | 1 | Link Rod ASM |
| 3:1 | 138-9300 | 4 | Isolator-Mount, Muffler | 19 | 140-4697 | 2 | Bushing, Rubber |
| 4 | 140-2618 | 1 | Pipe-Exhaust (Diesel) | 20 | 109-5010 | 2 | Spacer |
| 5 | 33004-00 | 1 | Nut-HF | 21 | 3234-46 | 2 | Screw-HHF |
| 6 | 3234-36 | 5 | Screw-HHF | 22 | 139-1689 | 2 | Nut-HF |
| 7 | 119-4041 | 11 | Nut-HF | 23 | 32151-86 | 1 | E-Ring |
| 8 | 33003-00 | 1 | Nut-HF | 24 | 110-4110 | 1 | Hose-Fuel |
| 9 | 139-0856 | 3 | Mount-Engine | 25 | 144-2413 | 1 | Clamp-Manifold (1.87" DIA) |
| 10 | 138-6462 | 1 | Support-Isolator | 26 | 138-9301 | 4 | Mount-Top Hat, Muffler |
| 11 | 80-8560 | 2 | Washer-Hardened | 27 | 104-2612 | 4 | Nut-HF |
| 12 | 323-11 | 2 | Screw-HH | 28 | 323-12 | 1 | Screw-HH |
| 13 | 119-4042 | 2 | Nut-HF, NI | 29 | 147-2700 | 1 | Hood-Cvt Intake |
| 14 | 3234-47 | 6 | Screw-HHF | 30 | 32144-110 | 1 | Screw-HWH |
| 15 | 131-5945 | 1 | Isolator-Engine | 31 | 3234-26 | 2 | Screw-HHF |
| | | | | 32 | 1-803037 | 1 | Nut-Retaining |

● Not serviced separately



Engine, Transaxle and Clutch Assembly

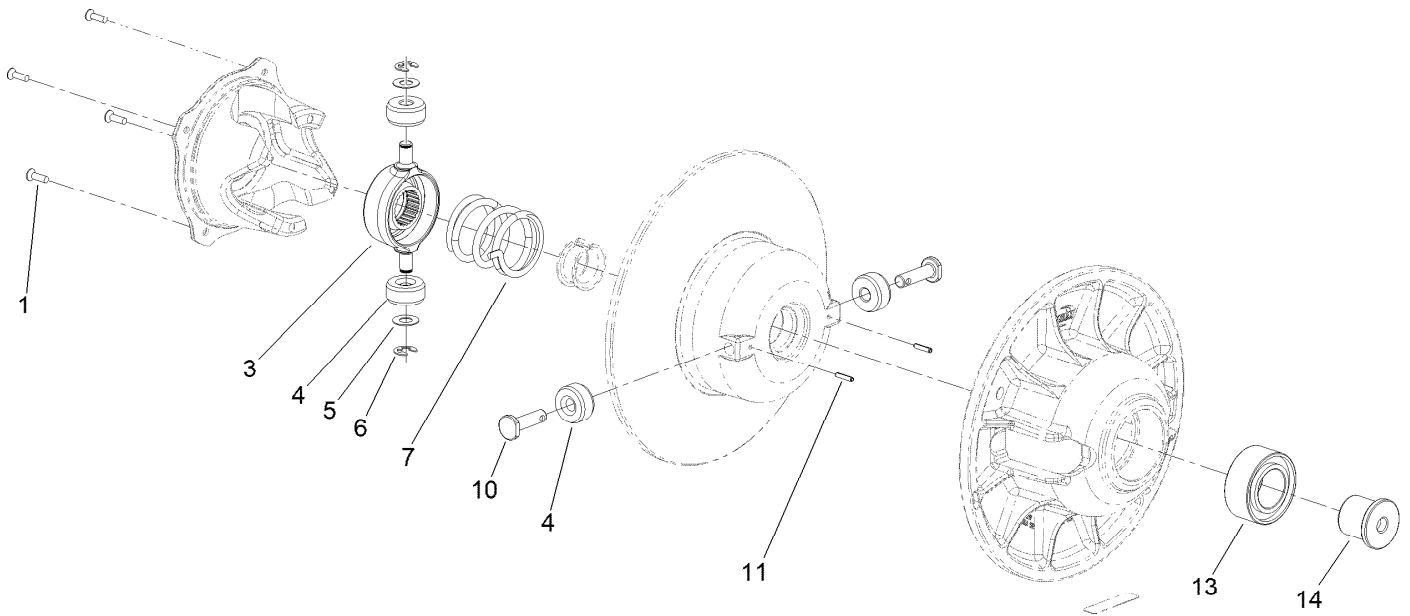
| Ref. | Part Number | Qty. | Description | Ref. | Part Number | Qty. | Description |
|------|-------------|------|---------------------------------|------|-------------|------|--------------------------|
| 1 | 136-9431 | 1 | Engine-Yanmar, 3Tnm74F-Natr | 17 | 33105-020 | 8 | Screw-HHF |
| 2 | 140-4768 | 1 | Housing ASM-Flywheel, Diesel | 18 | 140-2689 | 2 | Screw-HH |
| 2:2 | 87-1910 | 2 | Pin-Dowel | 19 | 114-8417 | 2 | Nut-HF, NI |
| 3 | 161-5254 | 1 | Plate-Spanner | 20 | 140-4669 | 6 | Clip-Spring |
| 4 | 110-3986 | 13 | Screw | 21 | 139-4581 | 1 | Bracket-Spring, Throttle |
| 5 | 140-2611 | 1 | Transaxle ASM | 22 | 145-7792 | 1 | Spring-Extension |
| 6 | 147-8071 | 1 | Bracket-Transmission, LH | 23 | 140-2624-0P | 1 | Bracket-Drivetrain, Rear |
| 7 | 3234-38 | 2 | Screw-HHF | 24 | 33115-140 | 2 | Screw-HH |
| 8 | 139-1689 | 2 | Nut-HF | 25 | 103-9511 | 2 | Nut-Flg |
| 9 | 147-8173 | 1 | Clutch-Secondary | 26 | 136-9440 | 1 | Bracket-Throttle Cable |
| 10 | 140-2602 | 1 | Adapter-Clutch | 27 | 104-6550 | 1 | Washer-Clutch |
| 11 | 138-0690 | 5 | Screw-HHF,Patch | 28 | 99-7201 | 1 | Screw-HH |
| 12 | 147-8172 | 1 | Clutch-Primary | 29 | 140-4777 | 1 | Screw-HHF |
| 13 | 145-7789 | 1 | Belt-Variable | 30 | 140-4766 | 1 | Fitting-Straight |
| 14 | 140-2603 | 1 | Enclosure-Cvt | 30:1 | 140-4770 | 1 | Washer-Copper |
| 15 | 145-2105-0P | 1 | Bracket-Trans, RH (Diesel) | 31 | 104-2628 | 4 | Screw |
| 16 | 147-8089 | 1 | Mount-Engine, Compressor | 32 | 68-9410 | 1 | Screw-HHF |
| | | | | 33 | 145-7799 | 1 | Gasket-Cover, Cvt |
| | | | | 34 | 36-4780 | 2 | Washer-Plain |



Transaxle Assembly No. 140-2611

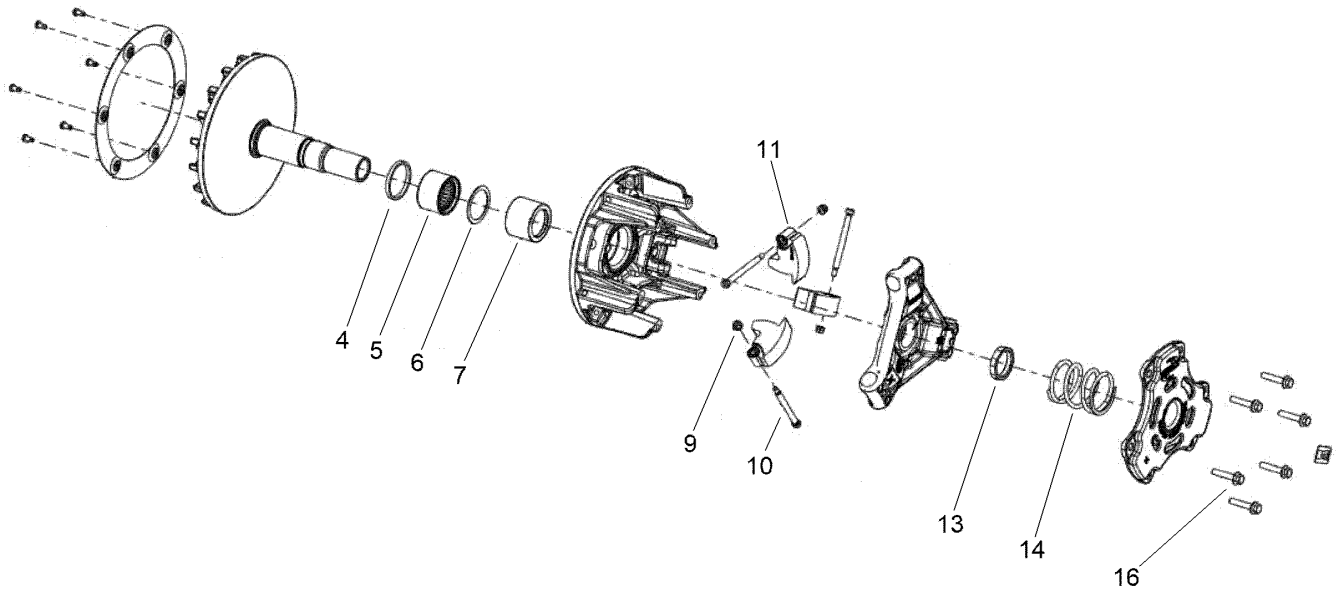
| Ref. | Part Number | Qty. | Description | Ref. | Part Number | Qty. | Description |
|------|-------------|------|---|------|-------------|------|--|
| 3 | 145-2030 | 1 | Plug-Expansion 80MM X 10MM | 95 | 145-2043 | 1 | O-Ring |
| 29 | 130-4616 | 2 | Bearing-Needle | 96 | 145-2044 | 1 | O-Ring, 0.530 ID X .082 Wide |
| 30 | 145-2031 | 2 | Bearing, Ball 6204 C3 | 97 | 145-2045 | 2 | Seal, Triple Lip, Viton, 40 X 70 X 7 |
| 31 | 145-2032 | 2 | Bearing, Ball 6205 C3 | 98 | 145-2046 | 1 | Seal, Triple Lip, 1.180 X 1.8520 X 0.315 |
| 32 | 130-4666 | 2 | Bearing-Ball | 99 | 145-2047 | 1 | O-Ring, Nitrile |
| 33 | 145-2033 | 1 | Bearing, Ball 6206 C3 | 101 | 145-2039 | 1 | Sensor,Speed, Transaxle |
| 34 | 145-2034 | 2 | Bearing, Ball 6207 C3 | 102 | 145-2040 | 1 | Sensor, Assembly, Rotary Position |
| 35 | 145-2035 | 1 | Bearing, Ball 6208 C3 | 103 | 145-2048 | 1 | Toro Premium Synthetic Transaxle Fluid ● |
| 36 | 130-4618 | 1 | Bearing-Needle | | | | |
| 37 | 145-2036 | 1 | Bearing, Ball 6203 C3 | | | | |
| 59 | 145-2037 | 1 | Tube,Vent, 90-1/4" Hose | | | | |
| 83 | 145-2038 | 1 | Subassembly, Bellcrank | | | | |
| 89 | 145-2041 | 1 | Shift Actuator, 2 Position | | | | |
| 93 | 145-2042 | 1 | Seal, Triple Lip, 0.984 X 2.047 X 0.394 | | | | |

● Not illustrated



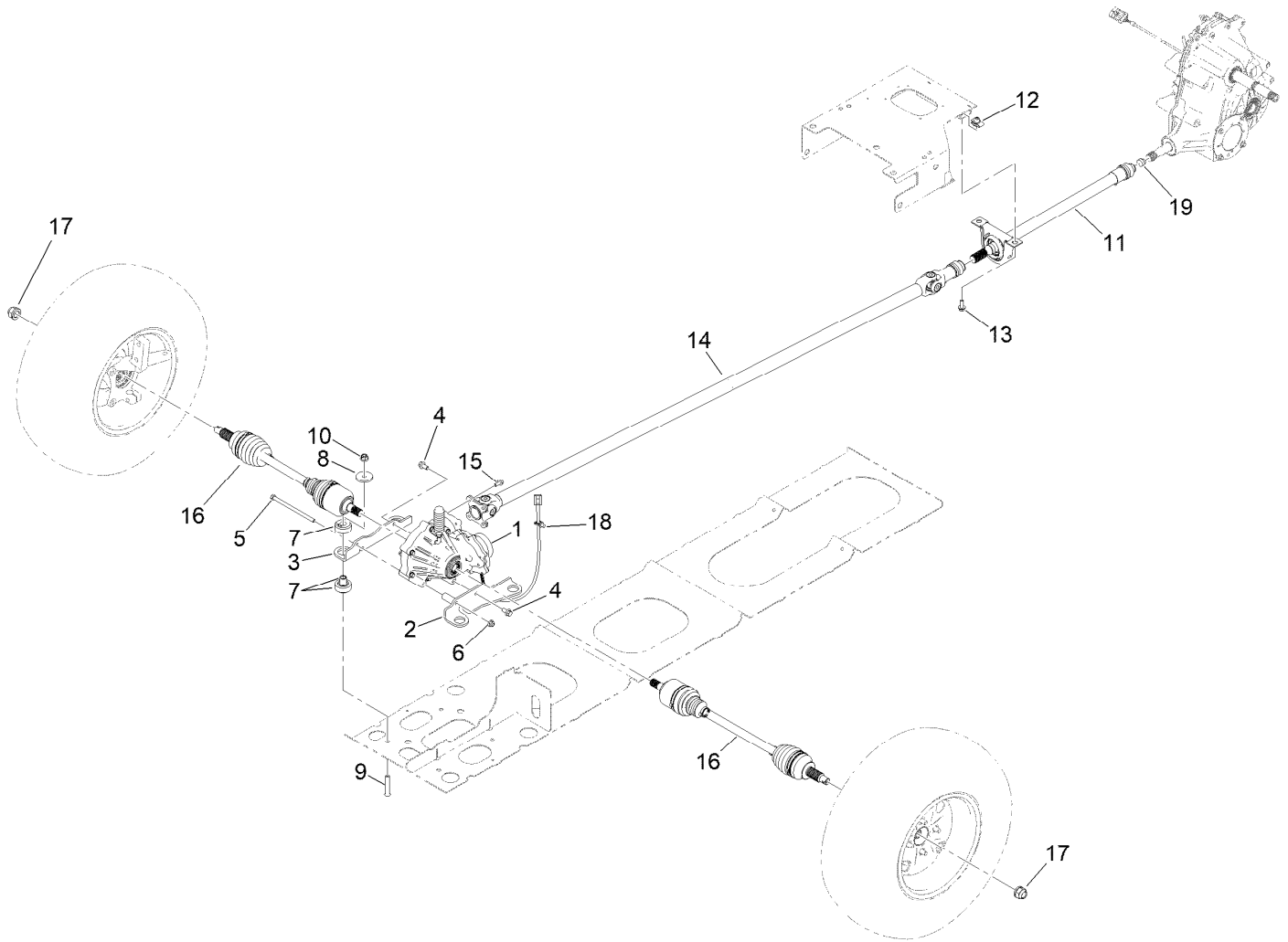
Secondary Clutch Assembly No. 147-8173

| <i>Ref.</i> | <i>Part Number</i> | <i>Qty.</i> | <i>Description</i> |
|-------------|--------------------|-------------|--|
| 1 | 145-2104 | 4 | Screw, Machine Torx Sfch 10-32 X .625 |
| 3 | 145-2025 | 1 | Spider 9.5 25T Mach |
| 4 | 145-2026 | 4 | Roller-Clutch 1.135 X .550 |
| 5 | 130-4059 | 2 | Washer-Thrust |
| 6 | 130-4058 | 2 | E-Ring |
| 7 | 145-2027 | 1 | Spring-Comp 2.00 OD Secondary 175-320 |
| 10 | 130-4063 | 2 | Pin-Roller |
| 11 | 130-4065 | 2 | Pin-Spring, Slotted |
| 13 | 145-2028 | 1 | Bearing-Ball |
| 14 | 147-8180 | 1 | Sleeve-Shoulder |



Primary Clutch Assembly No. 147-8172

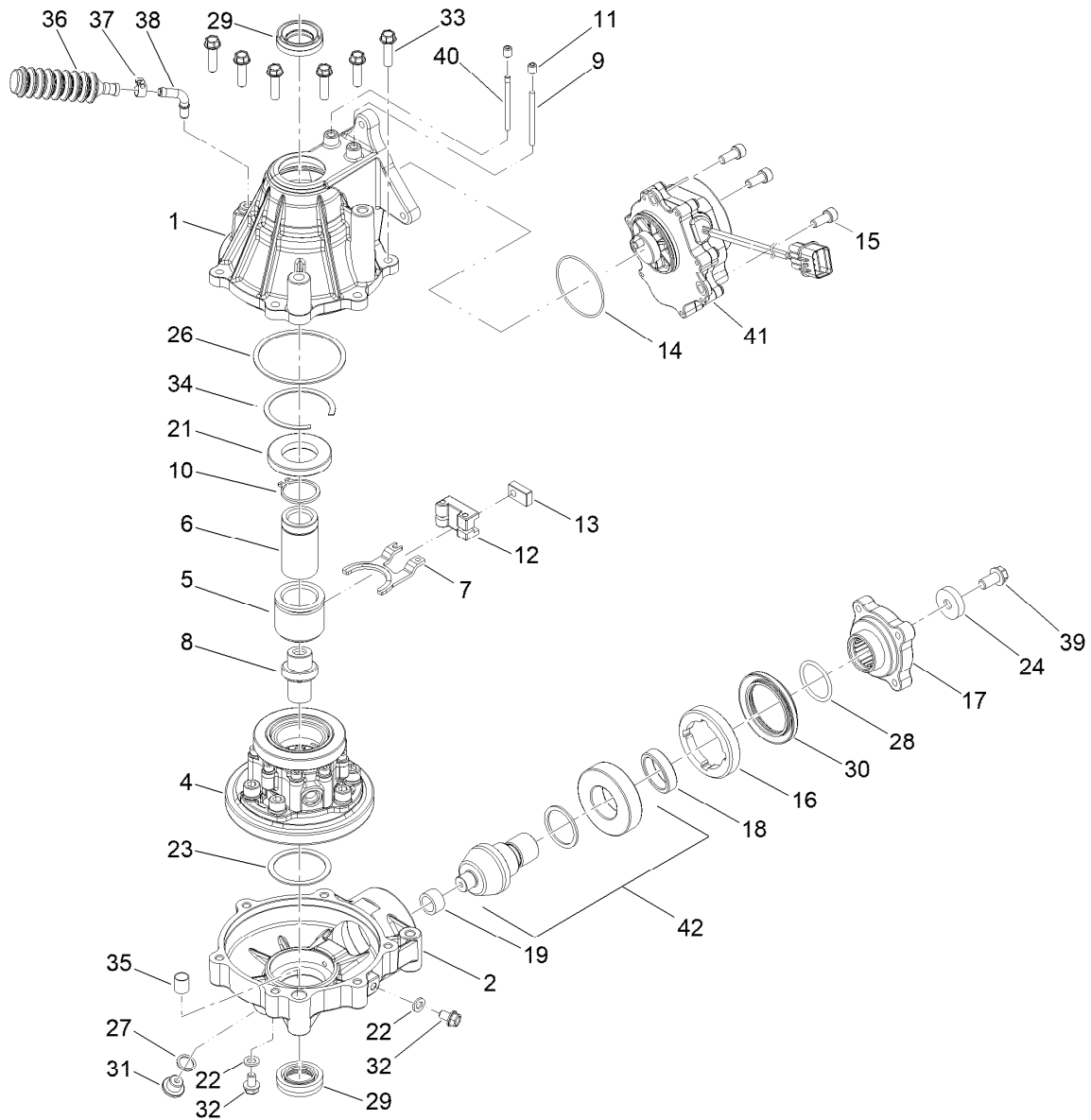
| <i>Ref.</i> | <i>Part Number</i> | <i>Qty.</i> | <i>Description</i> |
|-------------|--------------------|-------------|---|
| 4 | 145-2018 | 1 | Washer-Thrust |
| 5 | 147-8178 | 1 | Subassembly, Idler Primary |
| 6 | 130-4069 | 1 | Washer-Thrust |
| 7 | 147-8177 | 1 | Cap-Idler Sleeve |
| 9 | 145-2103 | 3 | Nut, Lock Hex 10-24 Flexloc |
| 10 | 119-6016 | 3 | Screw-Shoulder |
| 11 | 145-2021 | 3 | Weight-Clutch M17-198 |
| 13 | 161-5255 | 1 | Nut-Jam |
| 14 | 145-2022 | 1 | Spring-Compression 2.00 OD Primary 70-13 |
| 16 | 145-2024 | 6 | Screw-Hex Flange 1/4-20 X 1.25 |



Front Differential and Driveshaft Assembly

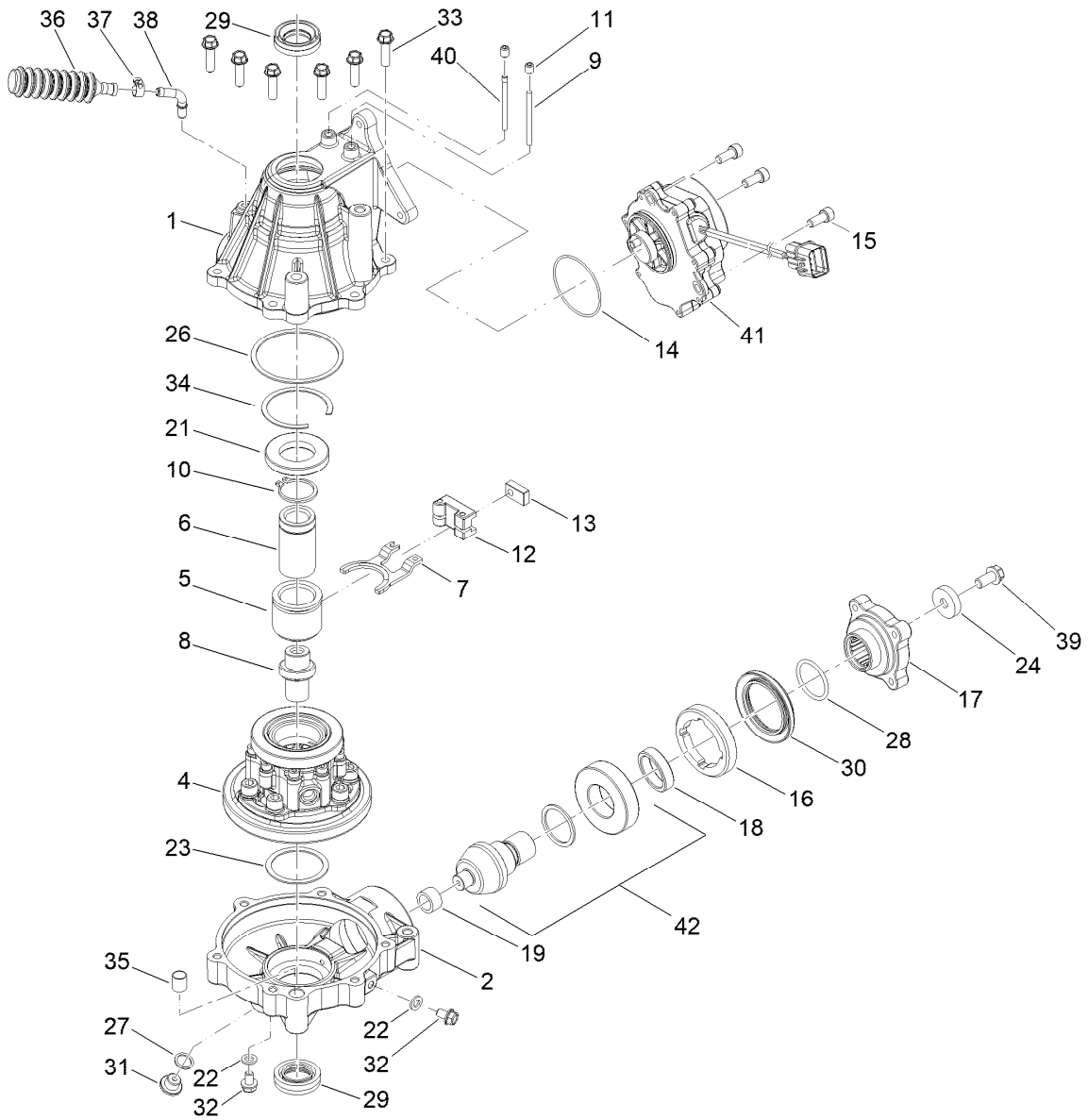
| Ref. | Part Number | Qty. | Description |
|------|-------------|------|----------------------------|
| 1 | 140-4752 | 1 | Differential-Front |
| 2 | 147-8083 | 1 | Mount ASM-Differential, LH |
| 3 | 161-5242 | 1 | Mount-Differential, RH |
| 4 | 145-7778 | 2 | Screw-HHF |
| 5 | 323-26 | 1 | Screw-HH |
| 6 | 119-4042 | 1 | Nut-HF, NI |
| 7 | 147-2708 | 4 | Mount-Isolator |
| 8 | 109-6919 | 4 | Washer-Plain |
| 9 | 144-2215 | 4 | Screw-Bht |
| 10 | 114-8417 | 4 | Nut-HF, NI |

| Ref. | Part Number | Qty. | Description |
|------|-------------|------|--------------------------------|
| 11 | 140-4771 | 1 | Driveshaft ASM-Intermediate |
| 12 | 105-4886 | 2 | Nut-Tinnerman |
| 13 | 3234-42 | 2 | Screw-HHF |
| 14 | 140-4763 | 1 | Driveshaft ASM (Crew) |
| 15 | 139-3392 | 4 | Screw-Lock |
| 16 | 140-2644 | 2 | Cv Axle ASM, Front |
| 17 | 115-2164 | 2 | Nut-Spindle |
| 18 | 32180-030 | 1 | Clip-Tie |
| 19 | 145-7787 | 1 | Bumper-Drive Shaft |



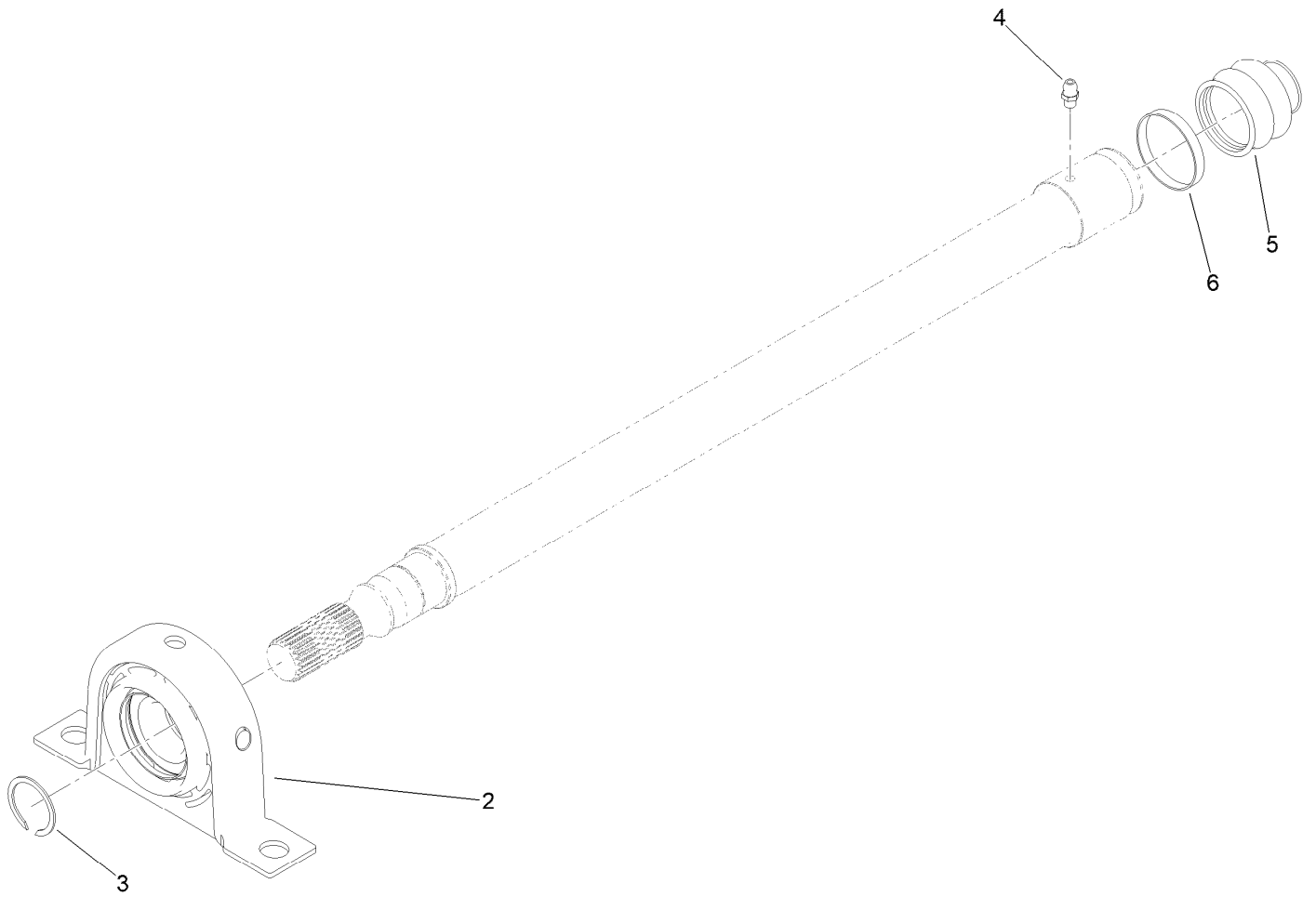
Front Differential Assembly No. 140-4752

| Ref. | Part Number | Qty. | Description | Ref. | Part Number | Qty. | Description |
|------|-------------|------|-----------------------------|------|-------------|------|------------------------------------|
| 1 | 145-7895 | 1 | Cover | 23 | 145-7917 | 1 | Shim, 50.5 X 61 |
| 2 | 145-7896 | 1 | Housing | 24 | 145-7918 | 1 | Lock Washer |
| 4 | 145-7898 | 1 | Planet Carrier Sub-ASM | 26 | 145-7920 | 1 | Shim, 79 X 89 |
| 5 | 145-7899 | 1 | Clutch | 27 | 145-7921 | 1 | Washer, 14.5 X 22 X 1T |
| 6 | 145-7900 | 1 | Support Ring | 28 | 145-7922 | 1 | O-Ring, P26 |
| 7 | 145-7901 | 1 | Fork | 29 | 145-7923 | 2 | Seal, 25 X 45 X 7T X 11T |
| 8 | 145-7902 | 1 | Gear A | 30 | 145-7924 | 1 | Seal, 40 X 75 X 8T X 12T |
| 9 | 145-7903 | 1 | Pin, 5 X 62L | 31 | 145-7925 | 1 | Plug, M14 X 9.5L |
| 10 | 145-7904 | 1 | Retaining Ring, External 34 | 32 | 145-7926 | 2 | Screw, Hex Head, M8 X Pi.25 X 12L |
| 11 | 145-7905 | 2 | Bolt, M10 X 10L | 33 | 145-7927 | 6 | Screw, Hex Head, M8 X P1.25 X 30L |
| 12 | 145-7906 | 1 | Slider A | 34 | 145-7928 | 1 | Retaining Ring, Internal 62 |
| 13 | 145-7907 | 1 | Slider B | 35 | 145-7929 | 1 | Location Pin |
| 14 | 145-7908 | 1 | O-Ring, 62 I.D. X 2 Wide | 36 | 145-7930 | 1 | Breathing Tube |
| 15 | 145-7909 | 3 | Screw, Socket Head, M8X20L | 37 | 145-7931 | 1 | Ring |
| 16 | 145-7910 | 1 | Nut, M74 | 38 | 145-7932 | 1 | Tube, Vent, 90 DEG |
| 17 | 145-7911 | 1 | Flange | 39 | 145-7933 | 1 | Screw, Hex Head, M10 X P1.25 X 20L |
| 18 | 145-7912 | 1 | Bushing | 40 | 145-7934 | 1 | Pin, 5 X 4.63 X 62L |
| 19 | 145-7913 | 1 | Needle Bearing, Hk1612 | | | | |
| 21 | 145-7915 | 1 | Ball Bearing, 16007 | | | | |
| 22 | 145-7916 | 2 | Washer, 8.2 X 16 X 2T | | | | |



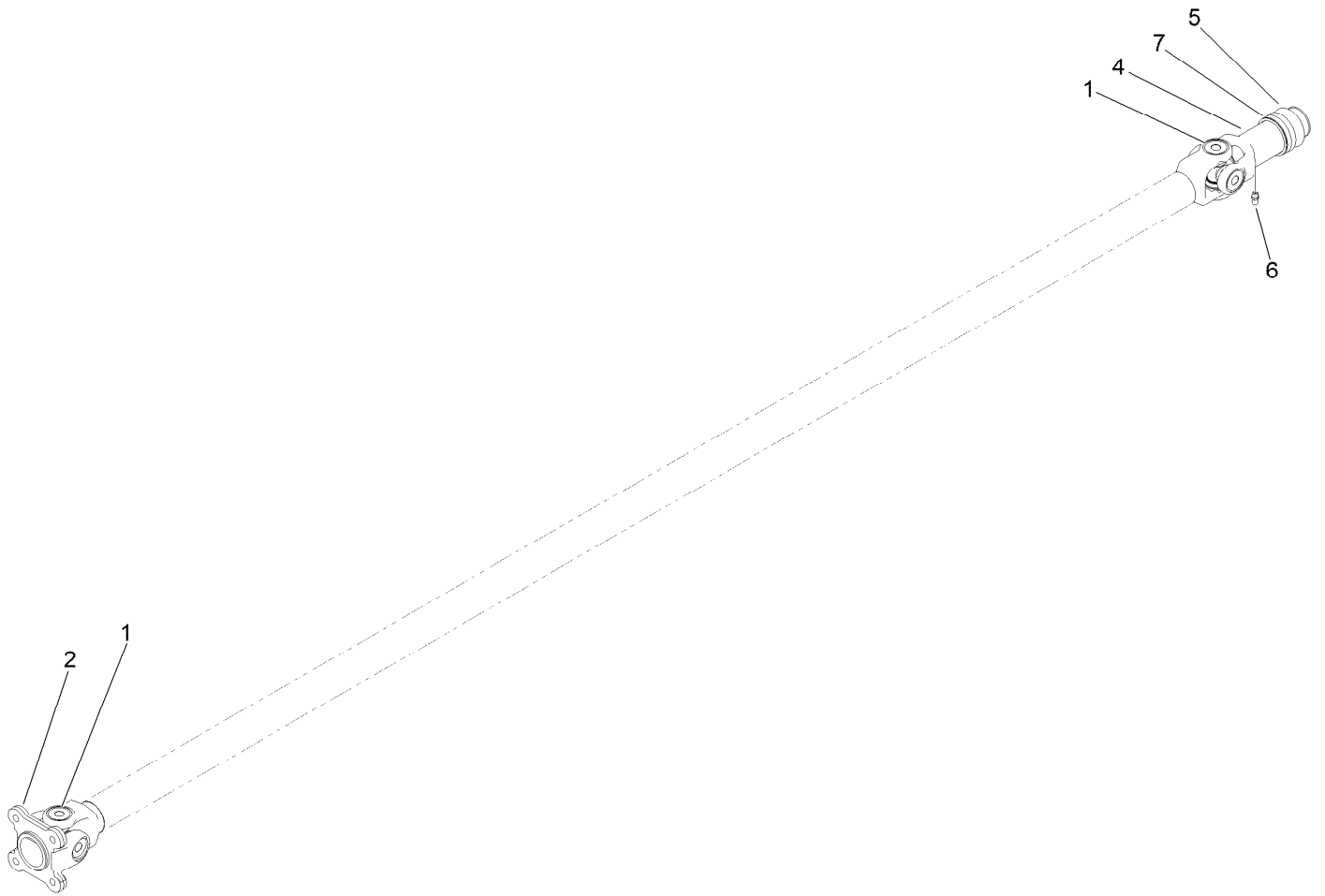
Front Differential Assembly No. 140-4752 (continued)

| <i>Ref.</i> | <i>Part Number</i> | <i>Qty.</i> | <i>Description</i> |
|-------------|--------------------|-------------|--------------------|
| 41 | 145-7935 | 1 | Actuator |
| 42 | 163-4939 | 1 | Pinion Service ASM |



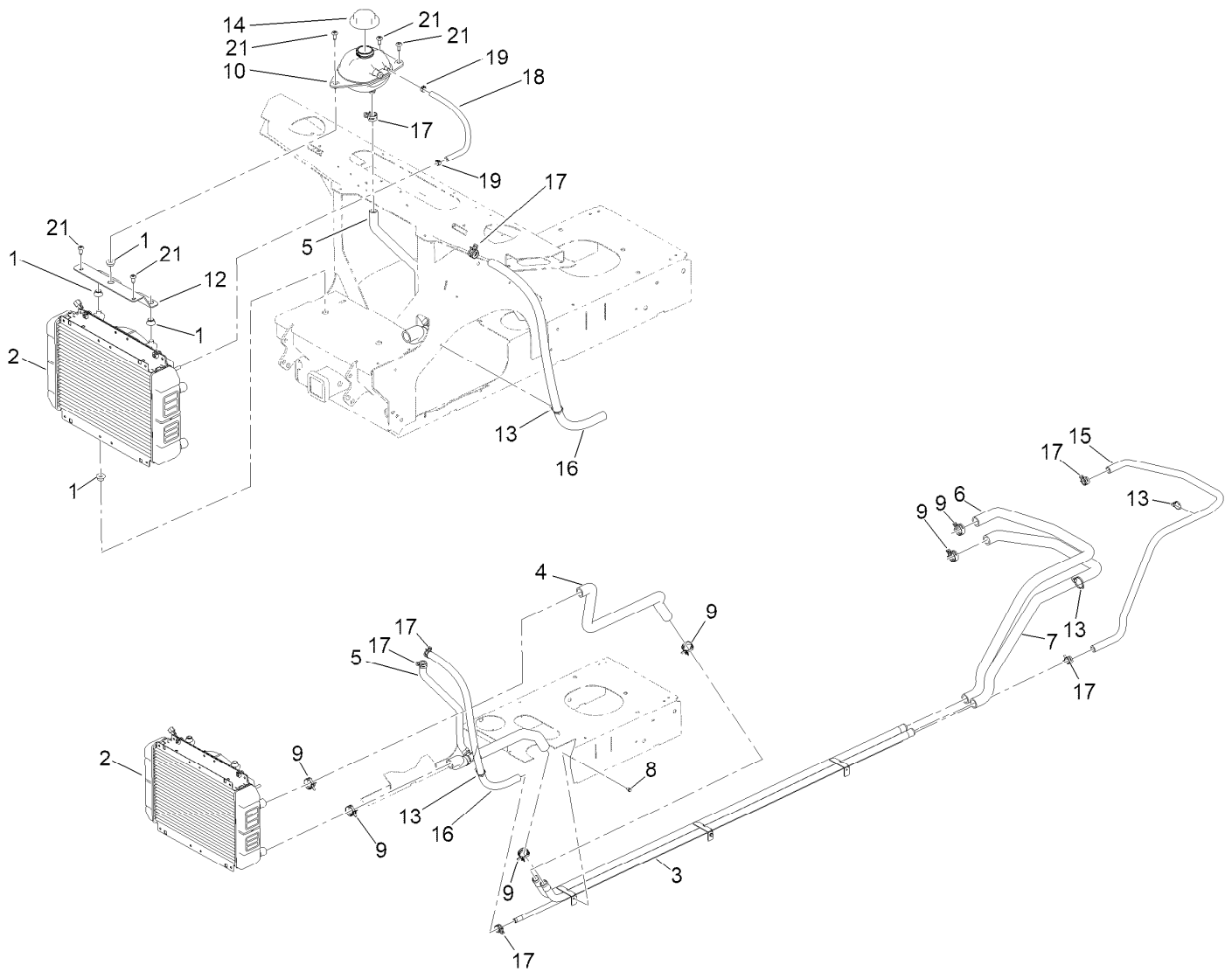
Intermediate Driveshaft Assembly No. 140-4771

| <i>Ref.</i> | <i>Part Number</i> | <i>Qty.</i> | <i>Description</i> |
|-------------|--------------------|-------------|--------------------|
| 2 | 139-4442 | 1 | Bearing-Hanger |
| 3 | 144-2208 | 1 | Retainer-Bearing |
| 4 | 302-5 | 1 | Fitting-Grease |
| 5 | 140-4772 | 1 | Boot-Joint, Slip |
| 6 | 140-4760 | 1 | Band |



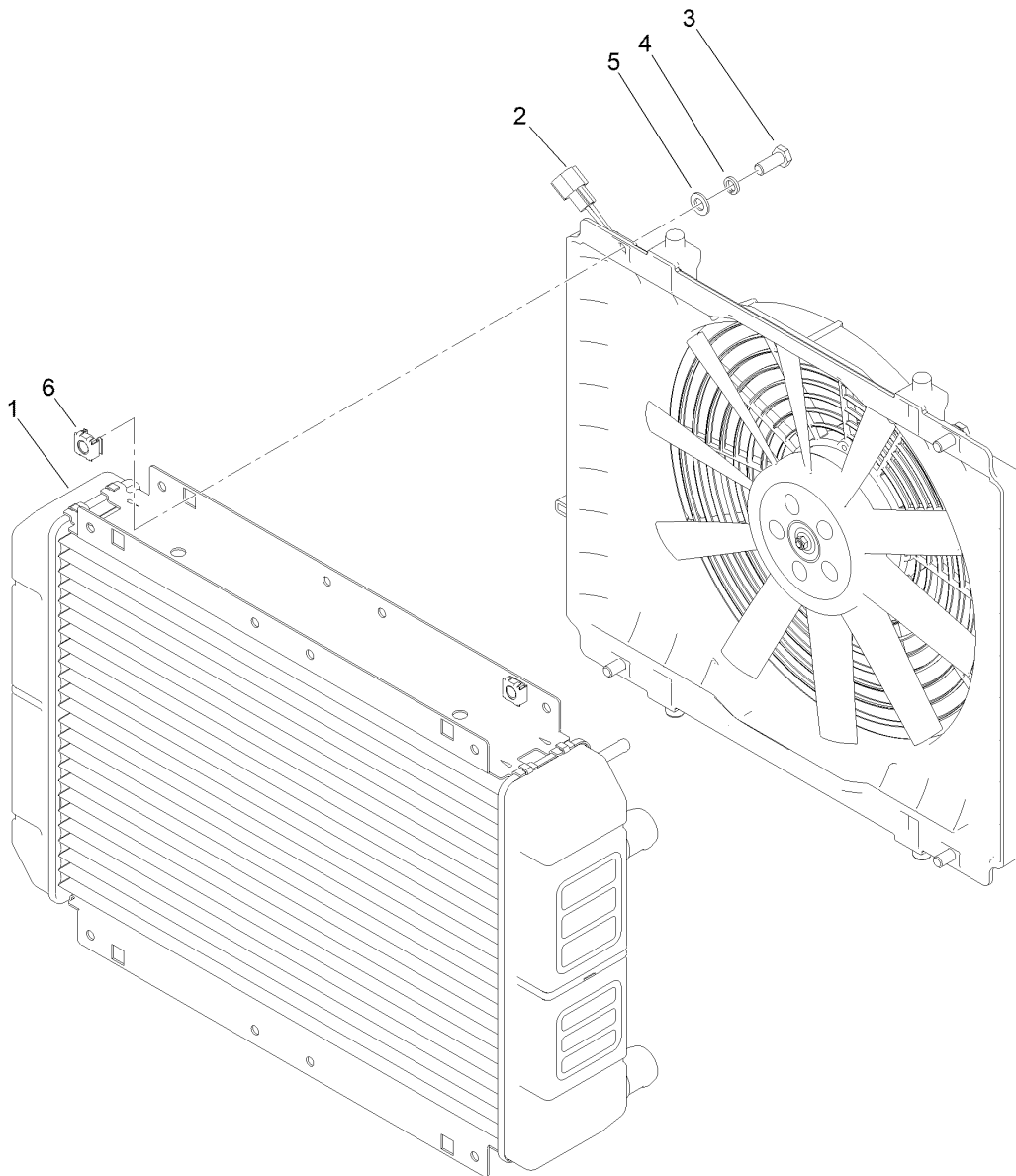
Driveshaft Assembly No. 140-4763

| <i>Ref.</i> | <i>Part Number</i> | <i>Qty.</i> | <i>Description</i> |
|-------------|--------------------|-------------|--------------------|
| 1 | 138-9162 | 2 | U-Joint Kit |
| 2 | 138-9178 | 1 | Yoke-Flange |
| 4 | 140-4753 | 1 | Yoke-Slip, Female |
| 5 | 140-4754 | 1 | Boot-Joint, Slip |
| 6 | 110-4755 | 1 | Fitting-Grease |
| 7 | 140-4760 | 1 | Band |



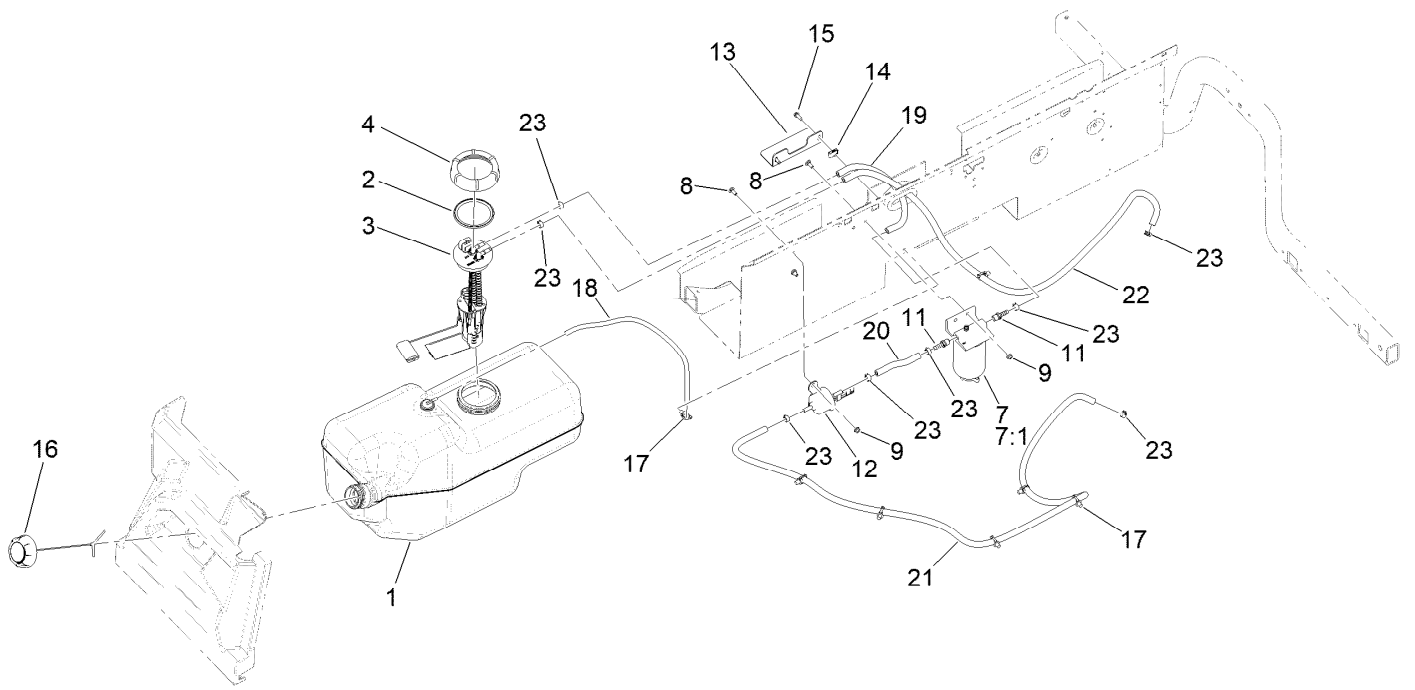
Cooling System Assembly

| <i>Ref.</i> | <i>Part Number</i> | <i>Qty.</i> | <i>Description</i> | <i>Ref.</i> | <i>Part Number</i> | <i>Qty.</i> | <i>Description</i> |
|-------------|--------------------|-------------|------------------------------|-------------|--------------------|-------------|------------------------------|
| 1 | 137-6828 | 4 | Bushing-Flange | 10 | 147-8086 | 1 | Coolant Tank ASM |
| 2 | 161-5206 | 1 | Radiator ASM | 12 | 147-8056-05 | 1 | Bracket-Mount, Radiator |
| 3 | 138-9349 | 1 | Tube ASM-Coolant, Extended | 13 | 32180-030 | 4 | Clip-Tie |
| 4 | 140-2628 | 1 | Hose-Radiator, Upper | 14 | 161-5218 | 1 | Ratcheting Coolant Cap ASM |
| 5 | 140-4751 | 1 | Hose ASM-Coolant | 15 | 145-2015 | 1 | Hose-Coolant, Minor (Diesel) |
| 6 | 145-2014 | 1 | Hose-Coolant, Upper (Diesel) | 16 | 140-4757 | 1 | Hose-Coolant |
| 7 | 140-2637 | 1 | Hose-Coolant, Lower (Diesel) | 17 | 144-2248 | 5 | Clamp-Sc Band |
| 8 | 32144-4 | 3 | Screw-HWH | 18 | 120-5019 | 1 | Hose-Coolant |
| 9 | 144-2246 | 8 | Clamp-Sc Band | 19 | 92-2379 | 2 | Clamp-Hose |
| | | | | 21 | 138-9753 | 5 | Screw |



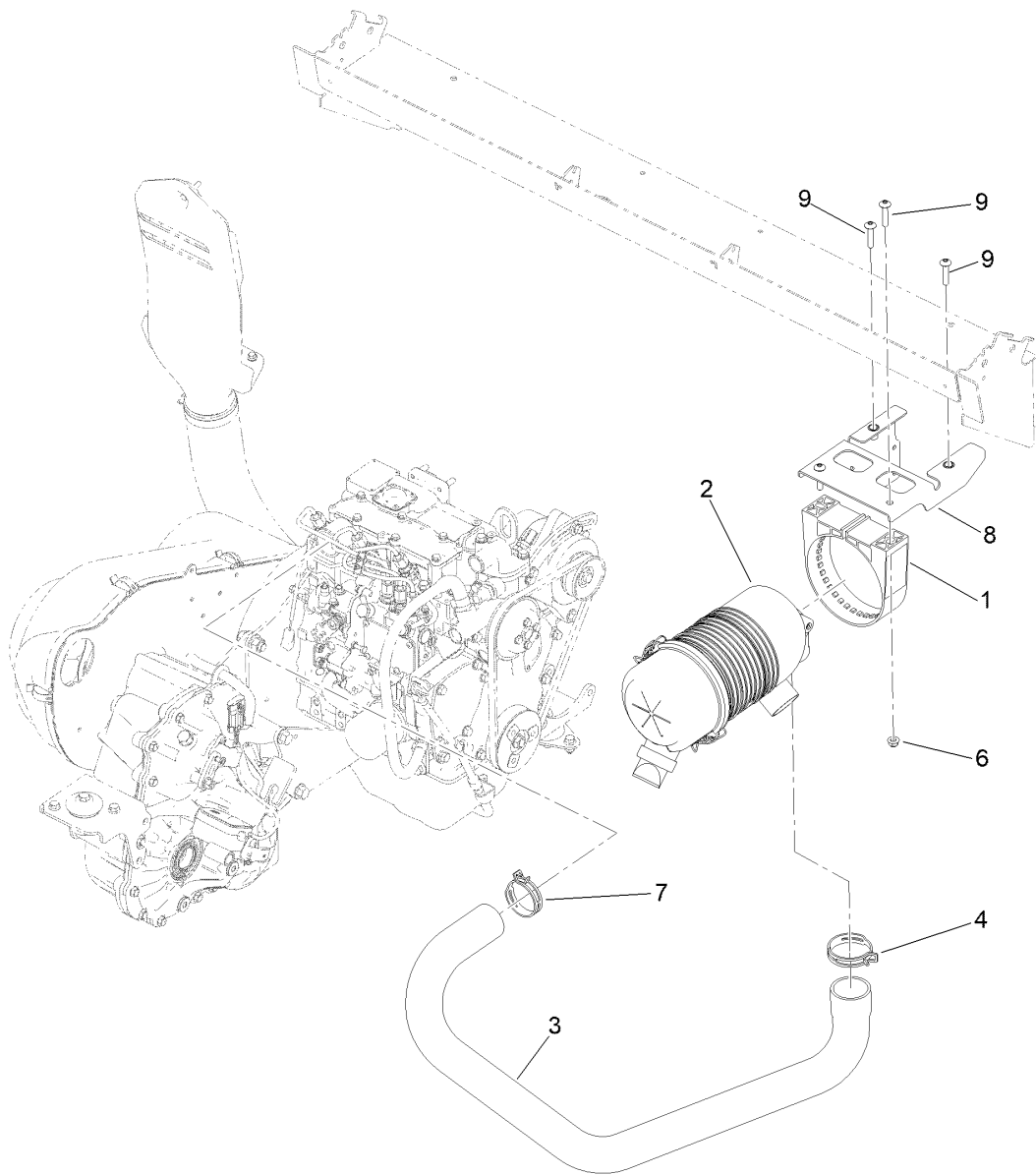
Radiator Assembly No. 161-5206

| <i>Ref.</i> | <i>Part Number</i> | <i>Qty.</i> | <i>Description</i> |
|-------------|--------------------|-------------|--------------------|
| 1 | 161-5219 | 1 | Radiator |
| 2 | 161-5239 | 1 | Fan Shroud ASM |
| 3 | 33114-020 | 4 | Screw-HH |
| 4 | 03469 | 4 | Washer-Spring |
| 5 | 115-7370 | 4 | Washer-Plain |
| 6 | 161-5247 | 4 | Nut-Square, Caged |



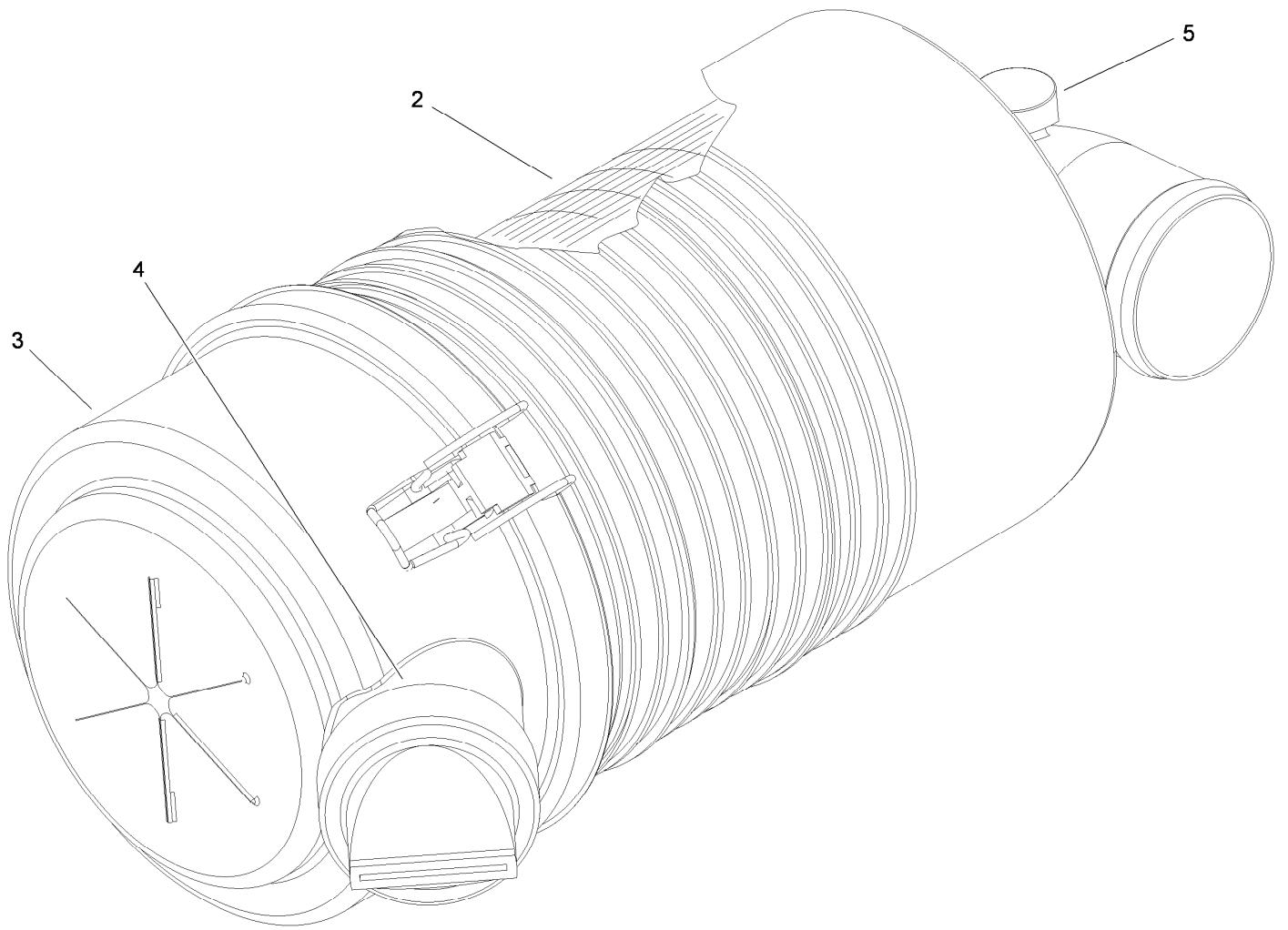
Fuel System Assembly

| <i>Ref.</i> | <i>Part Number</i> | <i>Qty.</i> | <i>Description</i> | <i>Ref.</i> | <i>Part Number</i> | <i>Qty.</i> | <i>Description</i> |
|-------------|--------------------|-------------|--------------------------------|-------------|--------------------|-------------|----------------------|
| 1 | 137-2711 | 1 | Fuel Tank ASM (8 Gallon Gas) | 14 | 107069 | 2 | Clip |
| 2 | 138-9333 | 1 | Gasket-Fuel Sender | 15 | 49-2040 | 2 | Screw-HWHTF |
| 3 | 138-9331 | 1 | Fuel Sender ASM | 16 | 115-8249 | 1 | Cap-Fuel, Ratcheting |
| 4 | 138-9332 | 1 | Cap-Fuel Sender | 17 | 32180-030 | 7 | Clip-Tie |
| 7 | 110-9044 | 1 | Separator-Filter | 18 | 110-8255 | 1 | Hose-Fuel |
| 7:1 | 110-9049 | 1 | Filter-Spin On, Fuel/Water | 19 | 106-1126 | 1 | Hose-Fuel |
| 8 | 3229-1 | 4 | Screw-CARR | 20 | 112-6388 | 1 | Hose-Fuel |
| 9 | 104-7201 | 4 | Nut-HF, NI | 21 | 119-0577 | 1 | Hose-Fuel |
| 11 | 115-1448 | 2 | Fitting-Straight | 22 | 110-4100 | 1 | Hose-Fuel |
| 12 | 145-3154 | 1 | Pump-Fuel, Electric | 23 | 92-2379 | 8 | Clamp-Hose |
| 13 | 163-4937 | 1 | Bracket-Mount, Fuel Tank (Mty) | | | | |



Air Cleaner Assembly

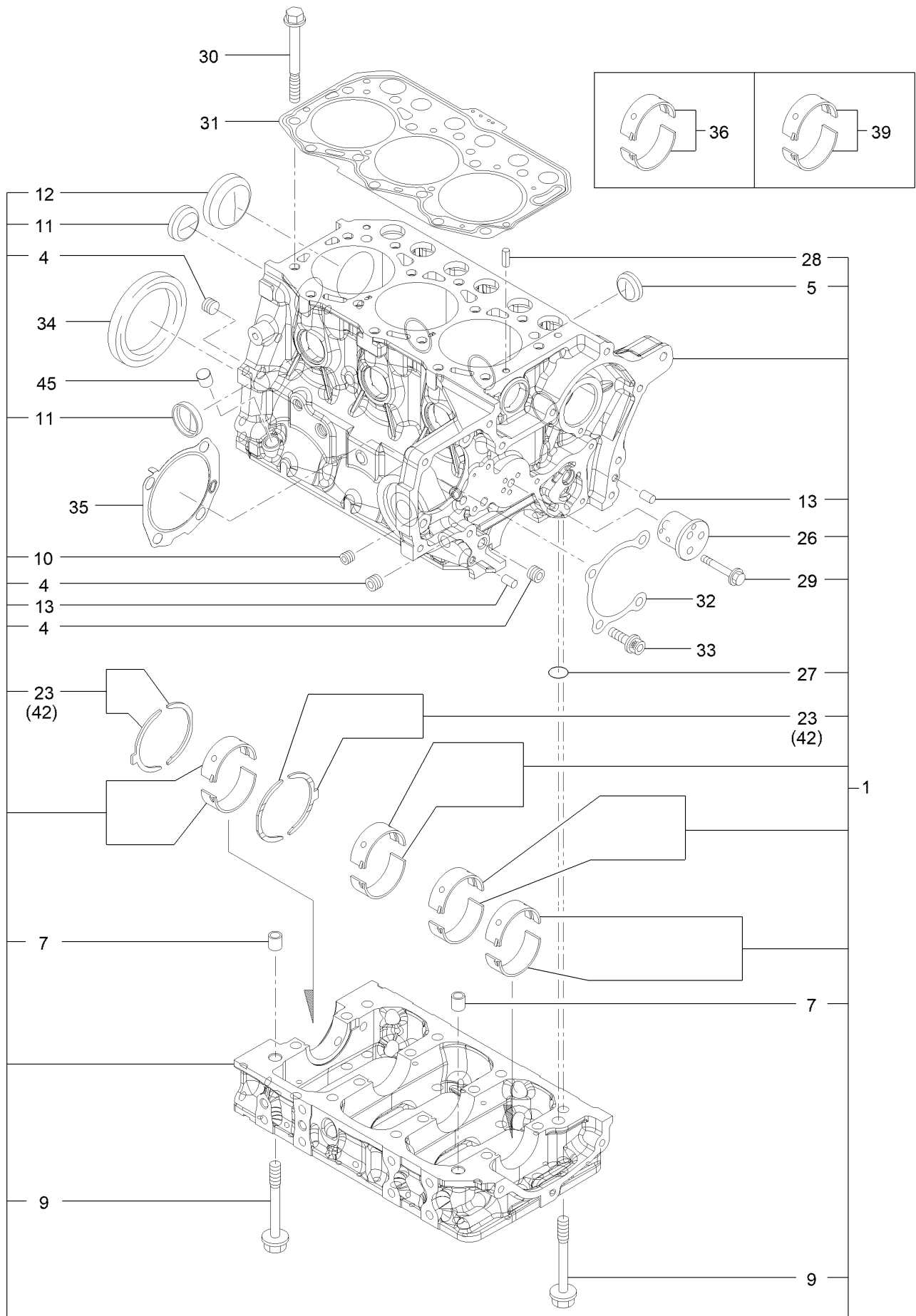
| Ref. | Part Number | Qty. | Description |
|-------------|--------------------|-------------|-------------------------|
| 1 | 98-4525 | 1 | Bracket-Cleaner, Air |
| 2 | 106-5277 | 1 | Air Cleaner ASM |
| 3 | 140-2620 | 1 | Hose-Air, Diesel |
| 4 | 144-2200 | 1 | Clamp-Sc Band |
| 6 | 119-4041 | 2 | Nut-HF |
| 7 | 144-2249 | 1 | Clamp-Sc Band |
| 8 | 147-8105 | 1 | Air Cleaner Bracket ASM |
| 9 | 126-7439 | 4 | Screw-Torx |



Air Cleaner Assembly No. 106-5277

| <i>Ref.</i> | <i>Part Number</i> | <i>Qty.</i> | <i>Description</i> |
|-------------|--------------------|-------------|--------------------|
| 2 | 108-3810 | 1 | Filter-Air |
| 3 | 98-9771 | 1 | Cover ASM |
| 4 | 87-9400 | 1 | Valve-Vacuator |
| 5 | 285-17 | 1 | Plug-Pipe |

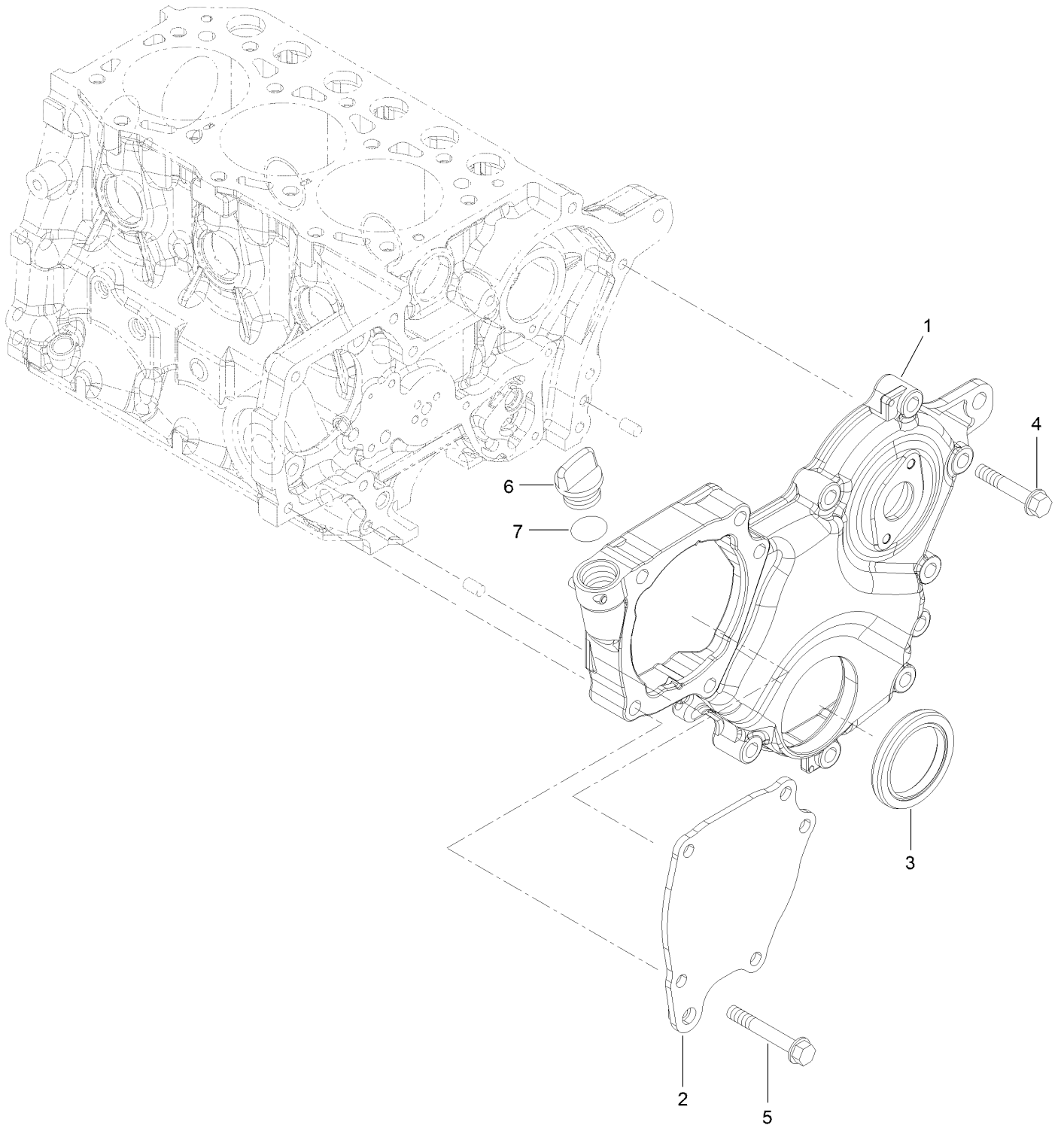
Cylinder Block Assembly



Cylinder Block Assembly (continued)

| <i>Ref.</i> | <i>Part Number</i> | <i>Qty.</i> | <i>Description</i> | <i>Ref.</i> | <i>Part Number</i> | <i>Qty.</i> | <i>Description</i> |
|-------------|--------------------|-------------|----------------------|-------------|--------------------|-------------|----------------------|
| 1 | 145-7867 | 1 | Block Assy, Cylinder | 28 | 125-7184 | 2 | Pin-Spring |
| 4 | 125-6969 | 3 | Plug | 29 | 125-7211 | 3 | Bolt |
| 5 | 145-7815 | 3 | Plug, 25 | 30 | 135-4037 | 14 | Bolt-Head, Cylinder |
| 7 | 145-7814 | 2 | Pipe, Knock L=12 | 31 | 145-7861 | 1 | Gasket, Head |
| 9 | 145-7816 | 16 | Bolt, Metal Cap | 32 | 145-7812 | 1 | Gasket, Pump |
| 10 | 133-6797 | 1 | Plug | 33 | 145-7813 | 4 | Bolt, Flange M8X25 |
| 11 | 140-7182 | 4 | Plug 30 | 34 | 135-4064 | 1 | Seal-Oil |
| 12 | 145-7889 | 1 | Plug, 45 | 35 | 145-7831 | 1 | Gasket, Fuel Pump |
| 13 | 135-4062 | 2 | Pin-Parallel | 36 | 145-7817 | 4 | Metal Assy, Main |
| 23 | 145-7819 | 2 | Metal Assy, Thrust | 39 | 145-7818 | 4 | Metal Assy, Main .25 |
| 26 | 145-7823 | 1 | Shaft, Idle Gear | 42 | 145-7820 | 2 | Metal Assy, 0.25 Os |
| 27 | 133-6654 | 1 | O-Ring | 45 | 145-7879 | 1 | Plug |

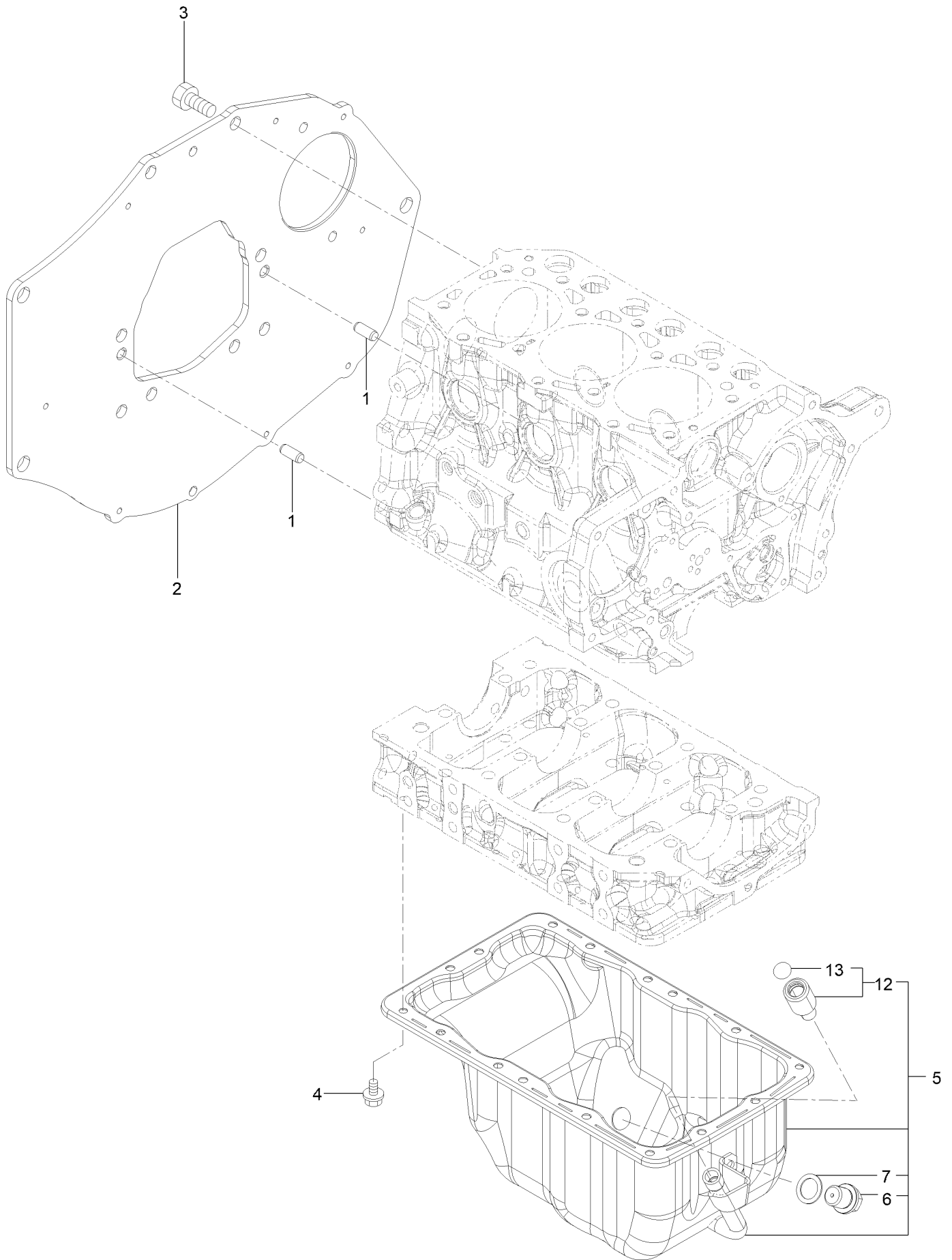
Gear Housing Assembly



Gear Housing Assembly (continued)

| <i>Ref.</i> | <i>Part Number</i> | <i>Qty.</i> | <i>Description</i> | <i>Ref.</i> | <i>Part Number</i> | <i>Qty.</i> | <i>Description</i> |
|-------------|--------------------|-------------|--------------------|-------------|--------------------|-------------|--------------------|
| 1 | 145-7801 | 1 | Case, Gear | 5 | 125-7219 | 5 | Bolt |
| 2 | 145-7870 | 1 | Cover, Pump Timing | 6 | 145-7800 | 1 | Cap, Oil Supply |
| 3 | 135-4047 | 1 | Seal-Oil | 7 | 145-7810 | 1 | O-Ring, C 0190 G |
| 4 | 125-7217 | 8 | Bolt | | | | |

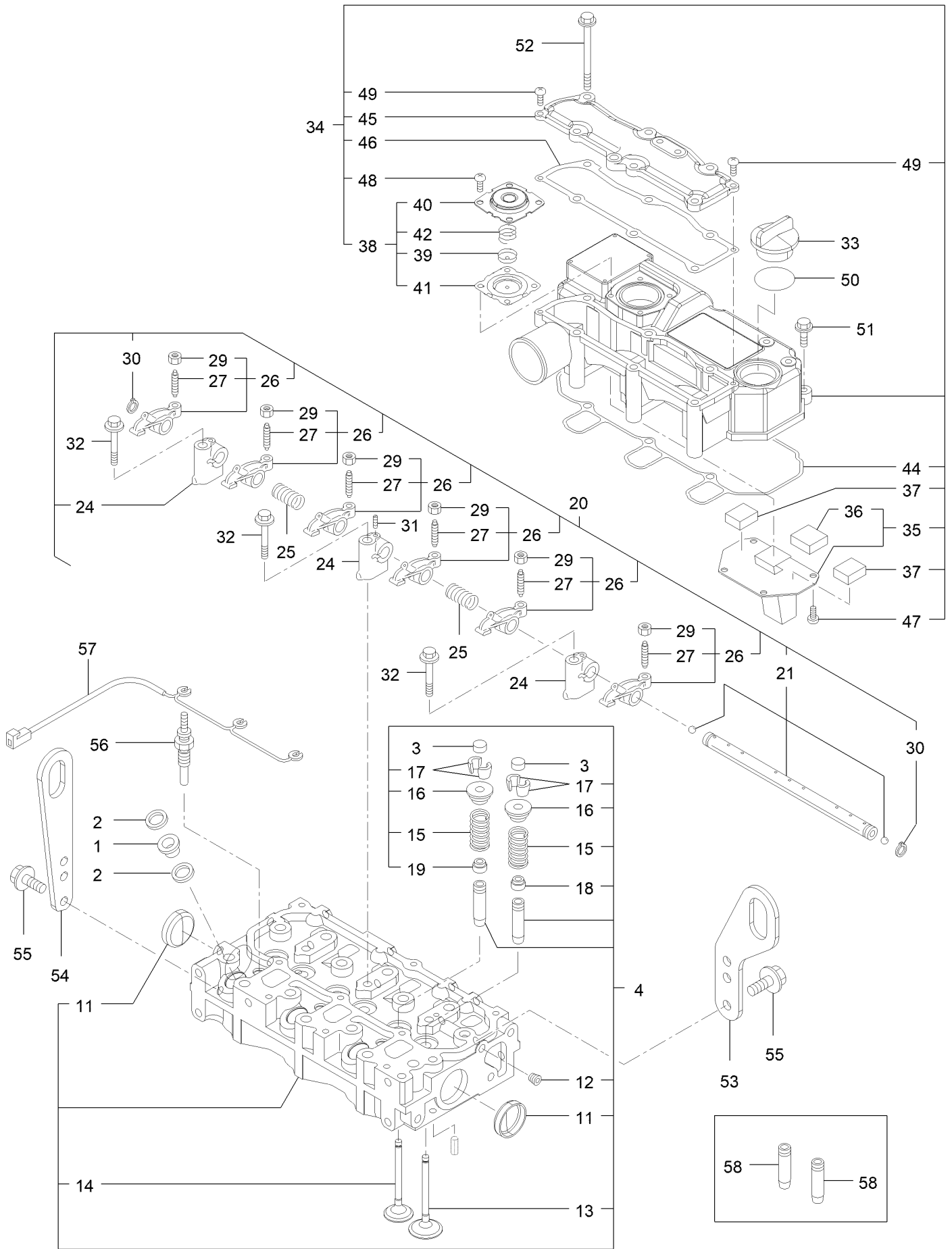
Mounting Flange and Oil Sump Assembly



Mounting Flange and Oil Sump Assembly (continued)

| <i>Ref.</i> | <i>Part Number</i> | <i>Qty.</i> | <i>Description</i> | <i>Ref.</i> | <i>Part Number</i> | <i>Qty.</i> | <i>Description</i> |
|-------------|--------------------|-------------|--------------------|-------------|--------------------|-------------|--------------------|
| 1 | 125-6995 | 2 | Pin | 6 | 135-4068 | 1 | Plug |
| 2 | 145-7868 | 1 | Flange, Mounting | 7 | 136-8236 | 1 | Washer-Seal |
| 3 | 135-4061 | 8 | Bolt | 12 | 145-7837 | 1 | Guide, Dipstick |
| 4 | 145-7811 | 16 | Bolt, Torx M6X10 | 13 | 145-7887 | 1 | O-Ring, 4Dp10A |
| 5 | 145-7869 | 1 | Oil Pan Assy | | | | |

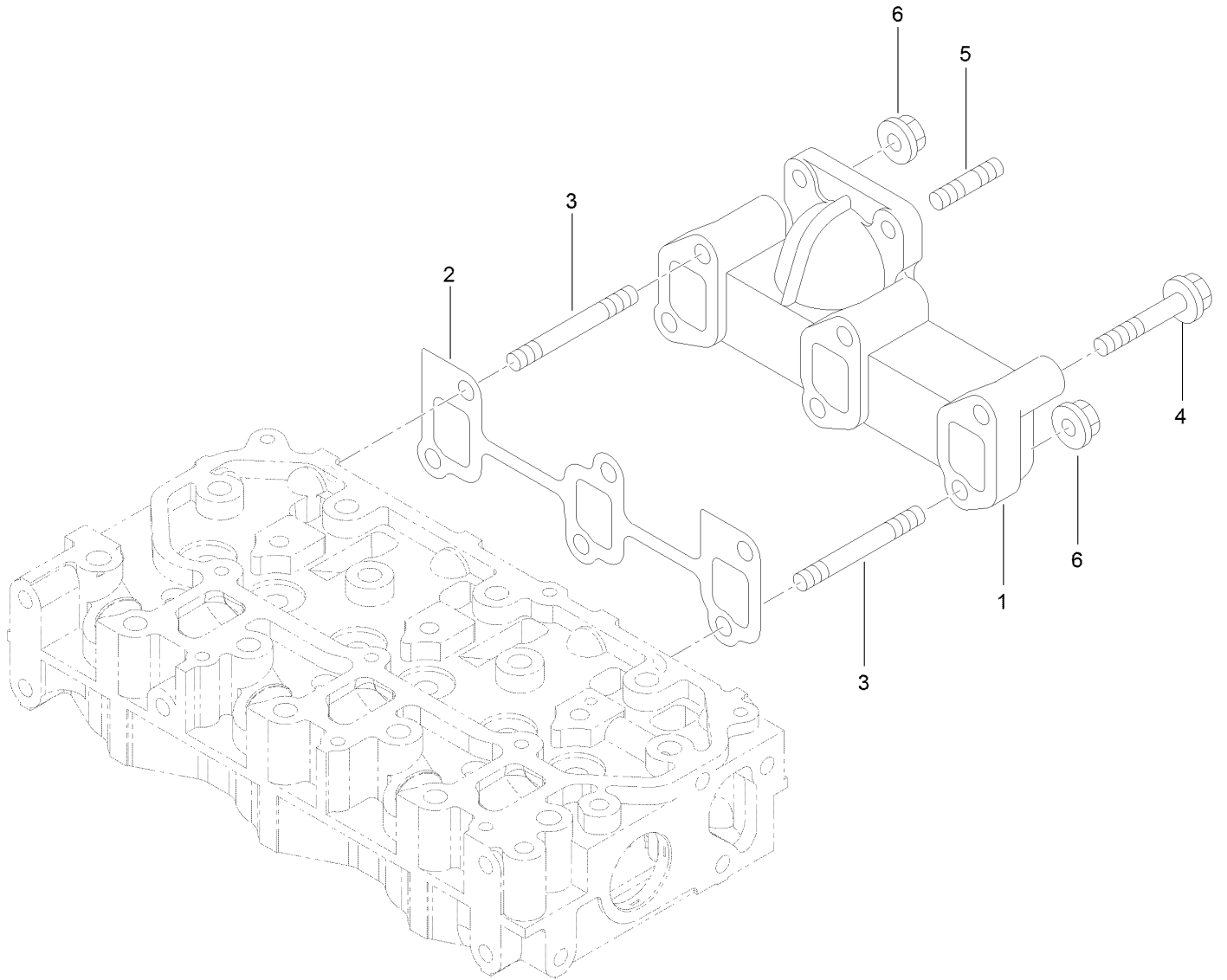
Cylinder Head and Bonnet Assembly



Cylinder Head and Bonnet Assembly (continued)

| <i>Ref.</i> | <i>Part Number</i> | <i>Qty.</i> | <i>Description</i> | <i>Ref.</i> | <i>Part Number</i> | <i>Qty.</i> | <i>Description</i> |
|-------------|--------------------|-------------|----------------------|-------------|--------------------|-------------|----------------------|
| 1 | 135-4069 | 3 | Protector-Nozzle | 34 | 145-7844 | 1 | Bonnet Assy, Head |
| 2 | 135-4070 | 6 | Gasket-Nozzle | 35 | 135-4085 | 1 | Plate-Baffle |
| 3 | 135-4071 | 6 | Cap-Valve | 36 | 135-4086 | 1 | Baffle-Breather |
| 4 | 145-7864 | 1 | Head Assy, Cylinder | 37 | 135-4086 | 2 | Baffle-Breather |
| 11 | 135-4073 | 2 | Plug-Cup | 38 | 135-4088 | 1 | Diaphragm ASM |
| 12 | 133-6797 | 1 | Plug | 39 | 135-4089 | 1 | Plate-Diaphragm |
| 13 | 145-7862 | 3 | Valve, Intake | 40 | 135-4090 | 1 | Cover-Diaphragm |
| 14 | 145-7863 | 3 | Valve, Exhaust | 41 | 135-4091 | 1 | Diaphragm |
| 15 | 135-4076 | 6 | Spring-Valve | 42 | 135-4092 | 1 | Spring-Diaphragm |
| 16 | 125-7054 | 6 | Retainer | 44 | 145-7841 | 1 | Gasket, Bonnet |
| 17 | 125-6914 | 12 | Cotter | 45 | 145-7842 | 1 | Cover, Bonnet |
| 18 | 125-6915 | 3 | Seal-Stem, Valve | 46 | 145-7843 | 1 | Gasket, Bonnet Cover |
| 19 | 125-6916 | 3 | Seal-Stem, Valve | 47 | 125-7186 | 4 | Screw |
| 20 | 145-7838 | 1 | Support Assy, Rocker | 48 | 125-7186 | 4 | Screw |
| 21 | 145-7839 | 1 | Shaft Assy, Arm | 49 | 127-3168 | 2 | Screw |
| 24 | 135-4079 | 3 | Support-Arm, Rocker | 50 | 125-7197 | 1 | O-Ring |
| 25 | 145-7840 | 2 | Spring, Shaft | 51 | 125-7209 | 3 | Bolt |
| 26 | 135-4081 | 6 | Rocker Arm ASM | 52 | 135-4096 | 6 | Bolt |
| 27 | 125-7013 | 6 | Screw-Adjust, Valve | 53 | 125-7046 | 1 | Lifter |
| 29 | 125-7014 | 6 | Nut | 54 | 125-7111 | 1 | Lifter |
| 30 | 135-7082 | 2 | Ring | 55 | 125-7214 | 4 | Bolt |
| 31 | 145-7836 | 1 | Screw | 56 | 135-4291 | 3 | Plug-Glow |
| 32 | 125-7218 | 3 | Bolt | 57 | 134-1443 | 1 | Connector-Plug, Glow |
| 33 | 125-6972 | 1 | Cover-Filler | 58 | 145-7845 | 6 | Guide, Valve |

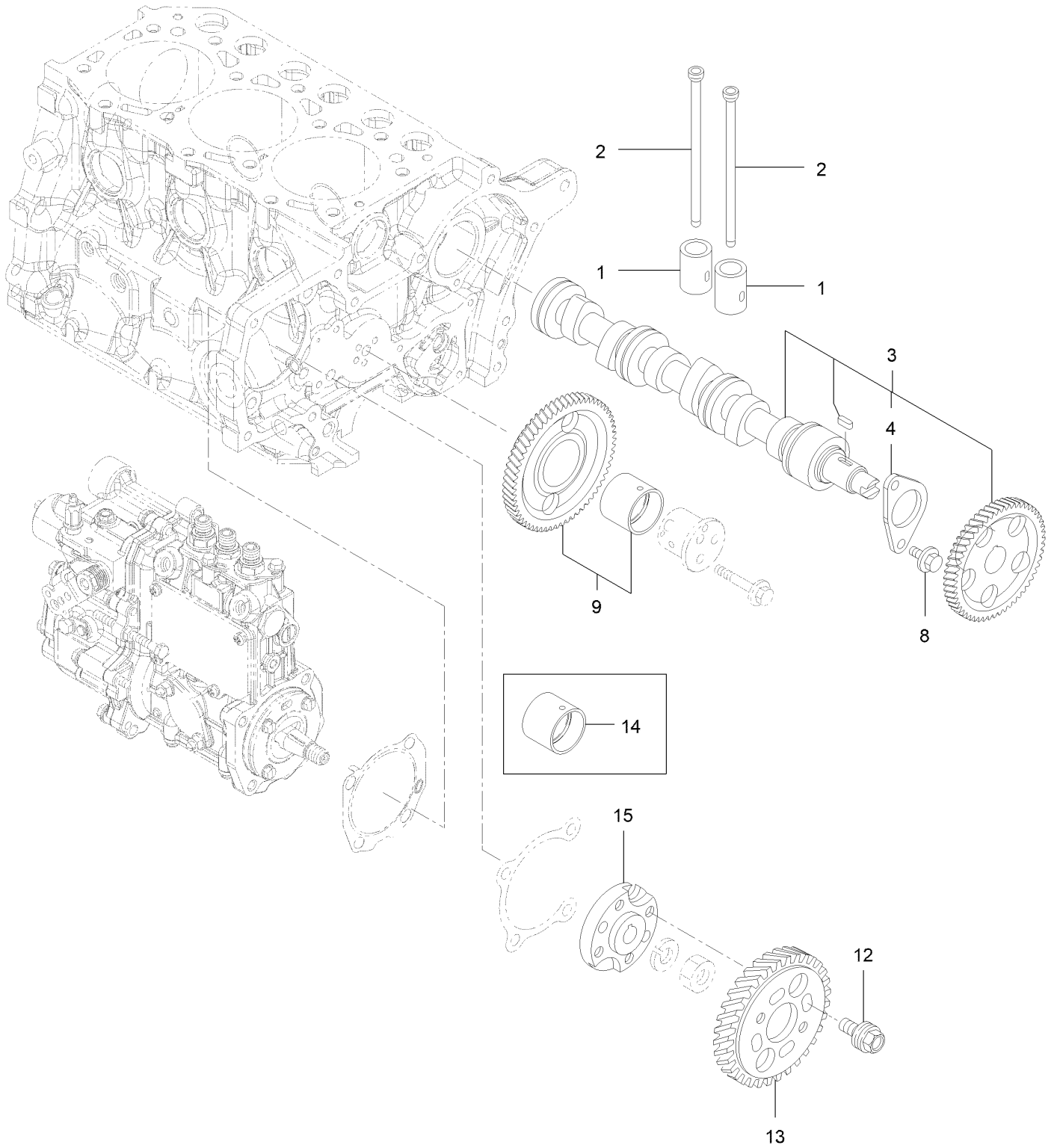
Exhaust Manifold Assembly



Exhaust Manifold Assembly (continued)

| <i>Ref.</i> | <i>Part Number</i> | <i>Qty.</i> | <i>Description</i> | <i>Ref.</i> | <i>Part Number</i> | <i>Qty.</i> | <i>Description</i> |
|-------------|--------------------|-------------|--------------------------|-------------|--------------------|-------------|--------------------|
| 1 | 134-1444 | 1 | Manifold-Exhaust | 4 | 133-6714 | 4 | Bolt |
| 2 | 135-4107 | 1 | Gasket-Manifold, Exhaust | 5 | 125-6906 | 4 | Stud |
| 3 | 134-1404 | 2 | Bolt-Stud | 6 | 125-7229 | 2 | Nut |

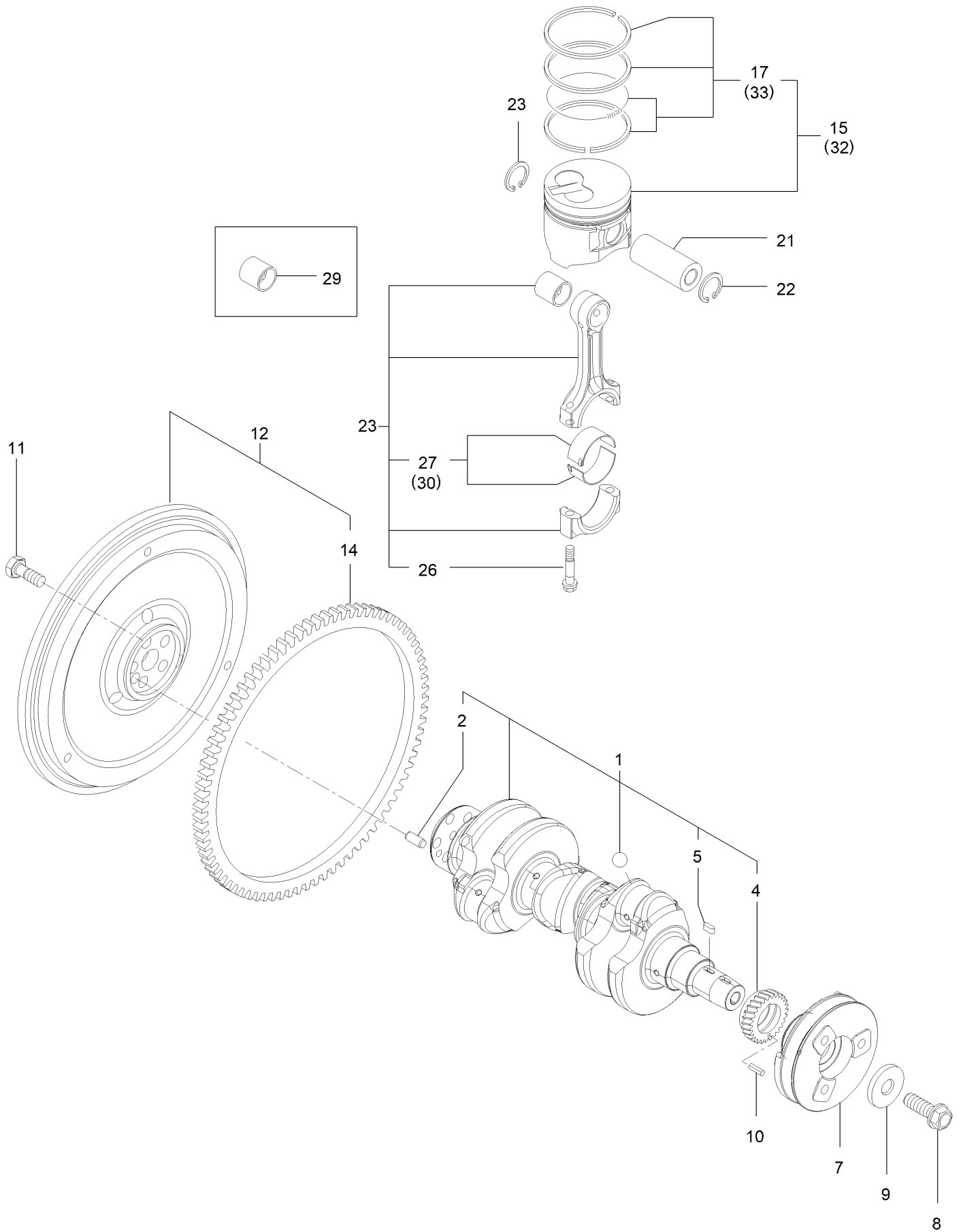
Camshaft and Driving Gear Assembly



Camshaft and Driving Gear Assembly (continued)

| <i>Ref.</i> | <i>Part Number</i> | <i>Qty.</i> | <i>Description</i> | <i>Ref.</i> | <i>Part Number</i> | <i>Qty.</i> | <i>Description</i> |
|-------------|--------------------|-------------|--------------------|-------------|--------------------|-------------|--------------------|
| 1 | 135-4108 | 6 | Tappet | 9 | 145-7804 | 1 | Gear Assy, Idle |
| 2 | 145-7846 | 6 | Rod, Push | 12 | 125-7020 | 4 | Bolt |
| 3 | 145-7802 | 1 | Camshaft Assy | 13 | 145-7825 | 1 | Gear, Pump |
| 4 | 145-7854 | 1 | Metal, Camshaft | 14 | 145-7824 | 1 | Bush, Idle Gear |
| 8 | 125-7206 | 2 | Bolt | 15 | 135-4150 | 1 | Flange |

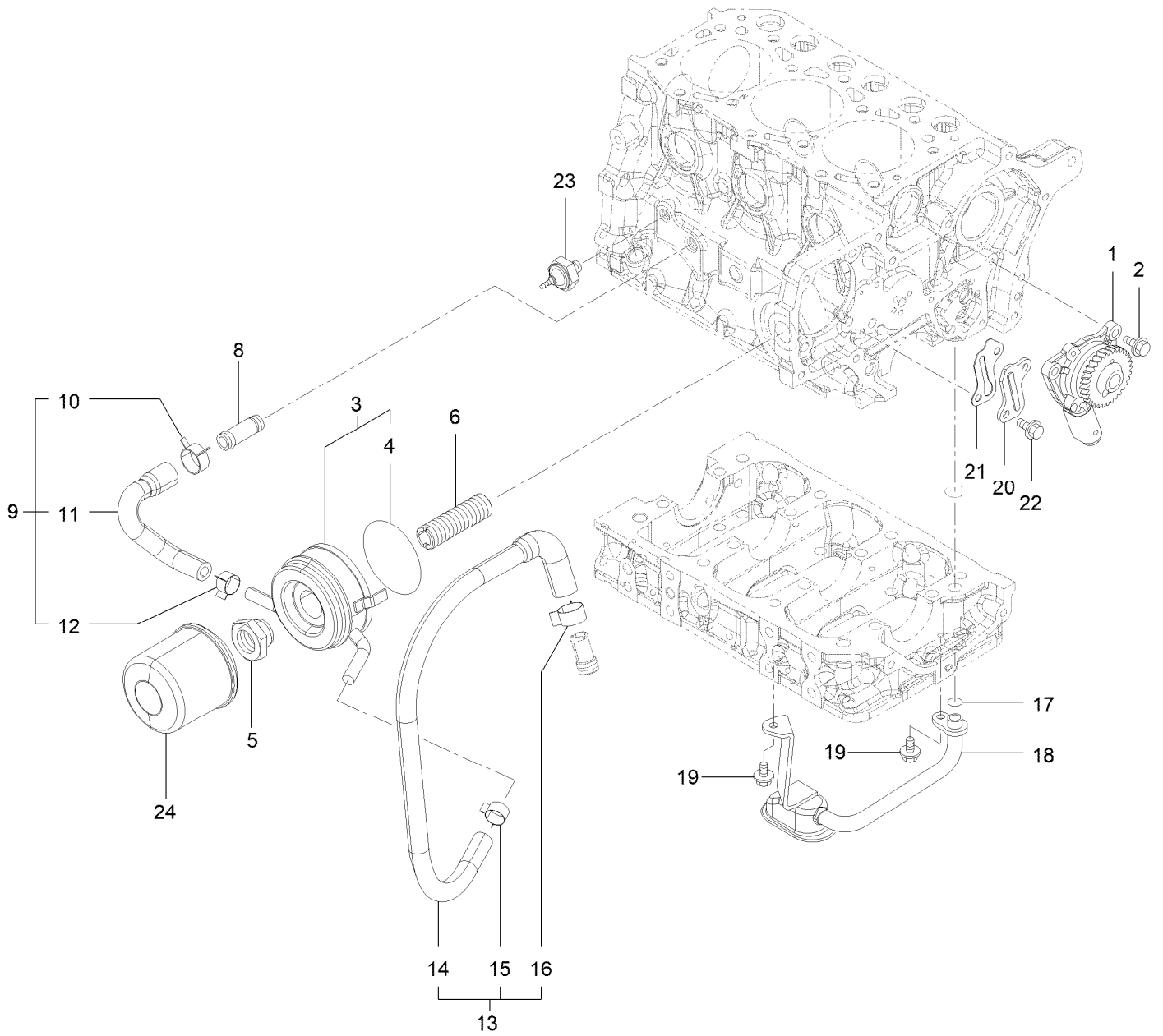
Crankshaft and Piston Assembly



Crankshaft and Piston Assembly (continued)

| <i>Ref.</i> | <i>Part Number</i> | <i>Qty.</i> | <i>Description</i> | <i>Ref.</i> | <i>Part Number</i> | <i>Qty.</i> | <i>Description</i> |
|-------------|--------------------|-------------|----------------------|-------------|--------------------|-------------|-----------------------|
| 1 | 145-7871 | 1 | Crankshaft Assy | 15 | 145-7872 | 3 | Piston Assy |
| 2 | 125-6995 | 1 | Pin | 17 | 145-7865 | 3 | Ring Set, Piston |
| 4 | 145-7821 | 1 | Gear, Crankshaft | 21 | 134-1408 | 3 | Pin-Piston |
| 5 | 135-4154 | 1 | Key | 22 | 135-4166 | 6 | Ring |
| 7 | 145-7822 | 1 | V-Pulley, Crankshaft | 23 | 145-7847 | 3 | Rod Assy, Connecting |
| 8 | 135-4159 | 1 | Bolt-Flange | 26 | 135-4168 | 6 | Bolt-Rod, Connecting |
| 9 | 145-7855 | 1 | Washer, 12 | 27 | 145-7848 | 3 | Metal Assy, Crank Pin |
| 10 | 125-7182 | 1 | Pin-Spring | 29 | 135-4170 | 3 | Bearing-Pin, Piston |
| 11 | 135-4155 | 5 | Bolt, Flywheel 5 | 30 | 145-7849 | 3 | Metal Assy, Pin .25 |
| 12 | 145-7803 | 1 | Flywheel Assy | 32 | 145-7873 | 3 | Piston Assy, 0.25 Os |
| 14 | 145-7880 | 1 | Gear, Ring Z=105 | 33 | 145-7866 | 3 | Ring Set, Piston .25 |

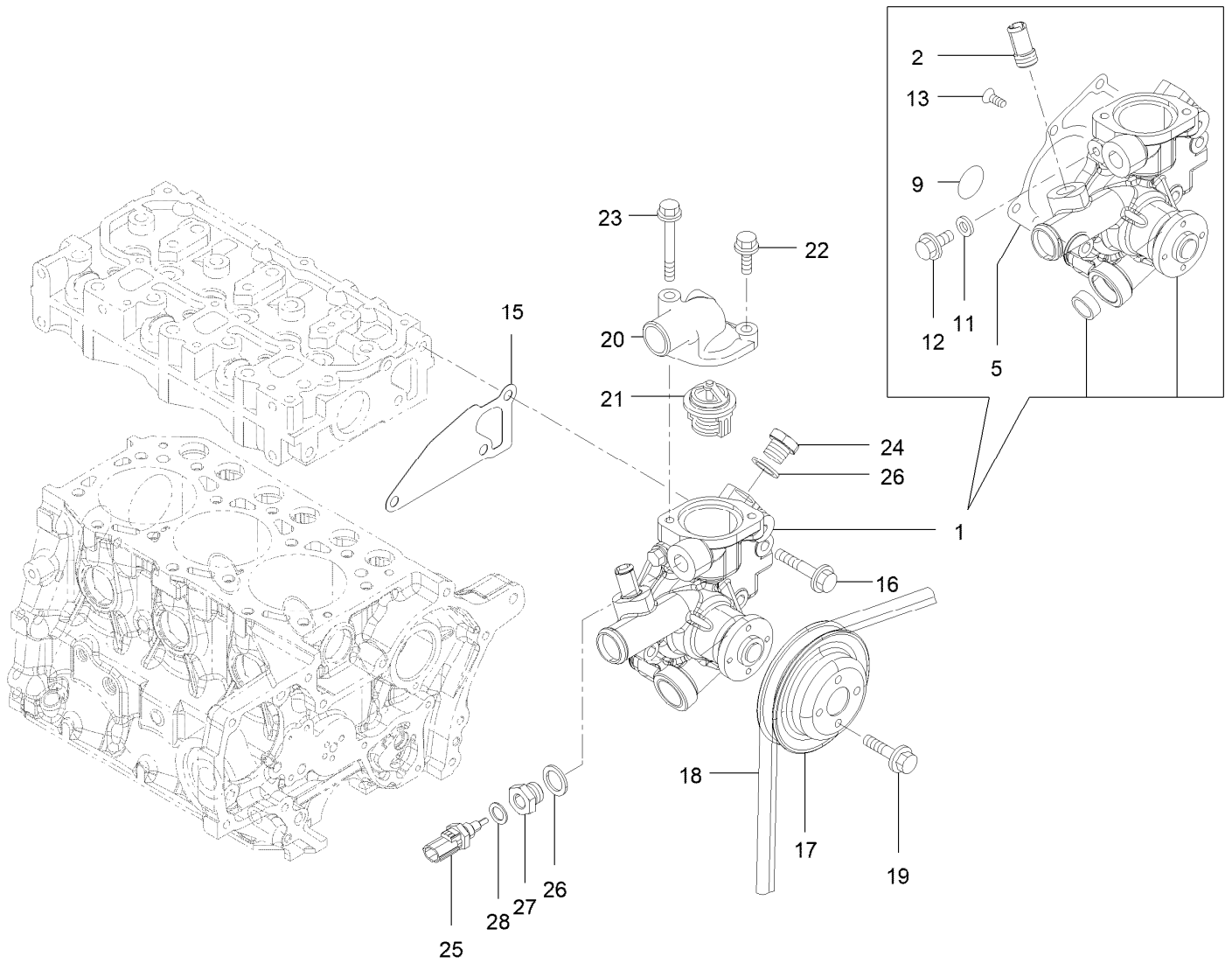
Lubrication Oil System Assembly



Lubrication Oil System Assembly (continued)

| <i>Ref.</i> | <i>Part Number</i> | <i>Qty.</i> | <i>Description</i> | <i>Ref.</i> | <i>Part Number</i> | <i>Qty.</i> | <i>Description</i> |
|-------------|--------------------|-------------|--------------------|-------------|--------------------|-------------|----------------------|
| 1 | 145-7826 | 1 | Pump Assy, Oil | 14 | 145-7858 | 1 | Pipe, Cooler Inlet |
| 2 | 125-7207 | 3 | Bolt | 15 | 125-7191 | 1 | Clamp-Hose |
| 3 | 135-4174 | 1 | Cooler-Oil | 16 | 145-7886 | 1 | Clamp, 18 |
| 4 | 125-7075 | 1 | O-Ring | 17 | 145-7834 | 1 | O-Ring, P11 |
| 5 | 125-7041 | 1 | Nut-Cooler, Oil | 18 | 145-7805 | 1 | Pipe Assy, Oil Inlet |
| 6 | 125-7042 | 1 | Stud | 19 | 125-7205 | 2 | Bolt |
| 8 | 127-3753 | 1 | Joint | 20 | 145-7828 | 1 | Cover, Oil |
| 9 | 145-7809 | 1 | Pipe Assy, Water | 21 | 145-7829 | 1 | Gasket, Oil Pipe |
| 10 | 125-7162 | 1 | Clip | 22 | 125-7206 | 2 | Bolt |
| 11 | 145-7808 | 1 | Pipe, Water | 23 | 134-1377 | 1 | Switch-Hydraulic |
| 12 | 125-7191 | 1 | Clamp-Hose | 24 | 135-4181 | 1 | Filter-Oil, Engine |
| 13 | 145-7859 | 1 | Pipe Assy, Water | | | | |

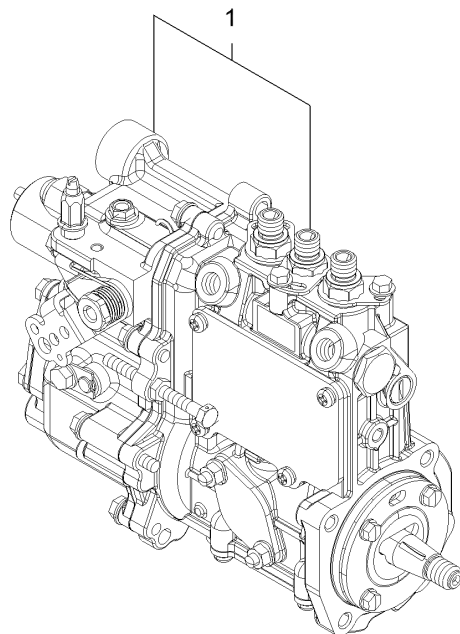
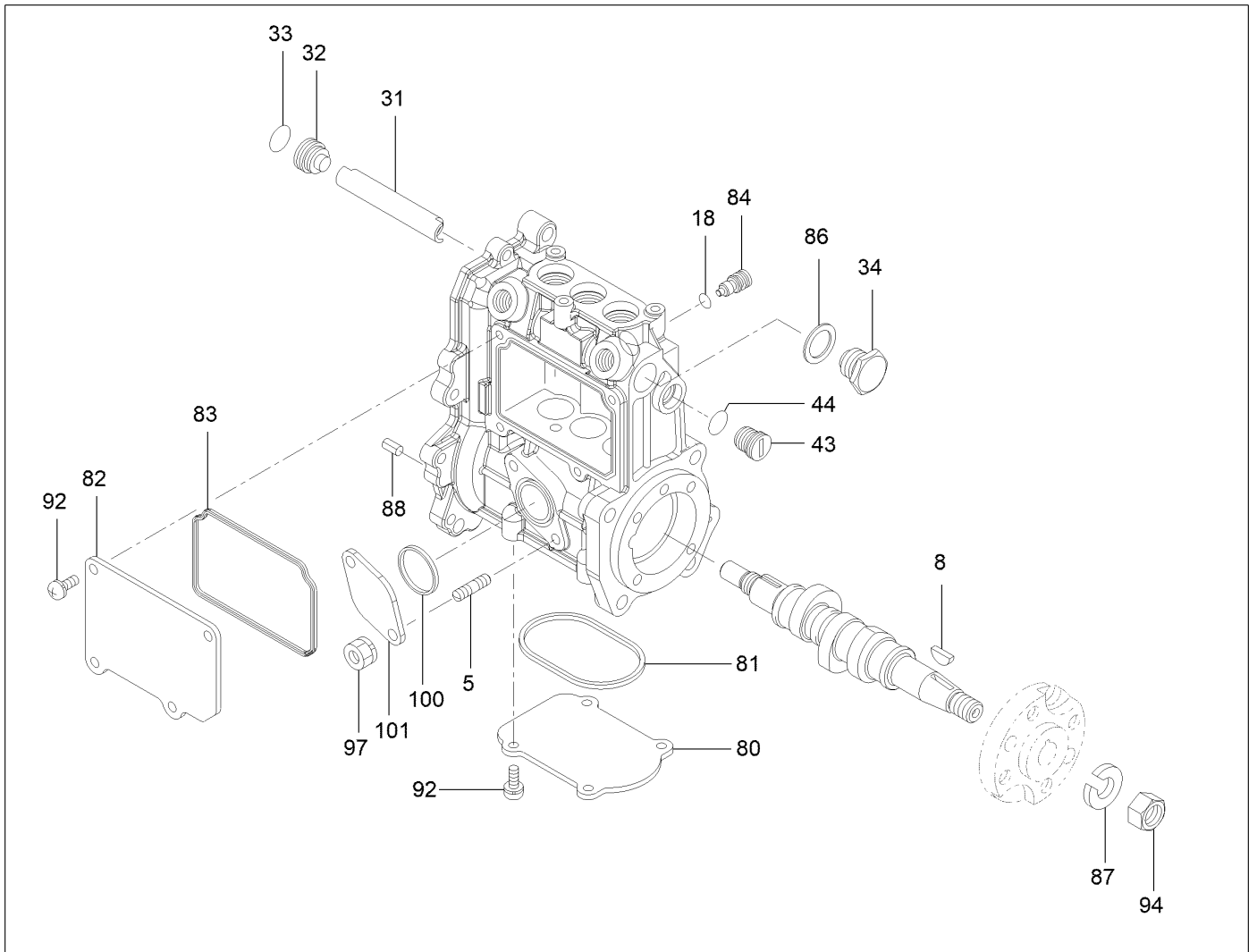
Cooling Water System Assembly



Cooling Water System Assembly (continued)

| <i>Ref.</i> | <i>Part Number</i> | <i>Qty.</i> | <i>Description</i> | <i>Ref.</i> | <i>Part Number</i> | <i>Qty.</i> | <i>Description</i> |
|-------------|--------------------|-------------|--------------------|-------------|--------------------|-------------|-----------------------|
| 1 | 145-7807 | 1 | Pump Assy, CW | 19 | 125-7206 | 4 | Bolt |
| 2 | 135-4191 | 1 | Joint-Pipe | 20 | 135-4199 | 1 | Cover-Thermostat |
| 5 | 145-7806 | 1 | Gasket, Water Pump | 21 | 145-7857 | 1 | Thermostat, 82C |
| 9 | 145-7856 | 1 | O-Ring | 22 | 135-4201 | 1 | Bolt |
| 11 | 125-7192 | 1 | Gasket | 23 | 135-4202 | 1 | Bolt |
| 12 | 125-7212 | 1 | Bolt | 24 | 125-6953 | 1 | Plug |
| 13 | 133-2504 | 5 | Screw | 25 | 125-7124 | 1 | Sensor-Thermostat, CW |
| 15 | 145-7850 | 1 | Gasket, Water Pump | 26 | 125-6979 | 2 | Gasket |
| 16 | 125-7219 | 3 | Bolt | 27 | 135-4203 | 1 | Joint |
| 17 | 134-1417 | 1 | V-Pulley | 28 | 125-7176 | 1 | Washer-Seal |
| 18 | 145-7833 | 1 | V-Belt, A34.5 | | | | |

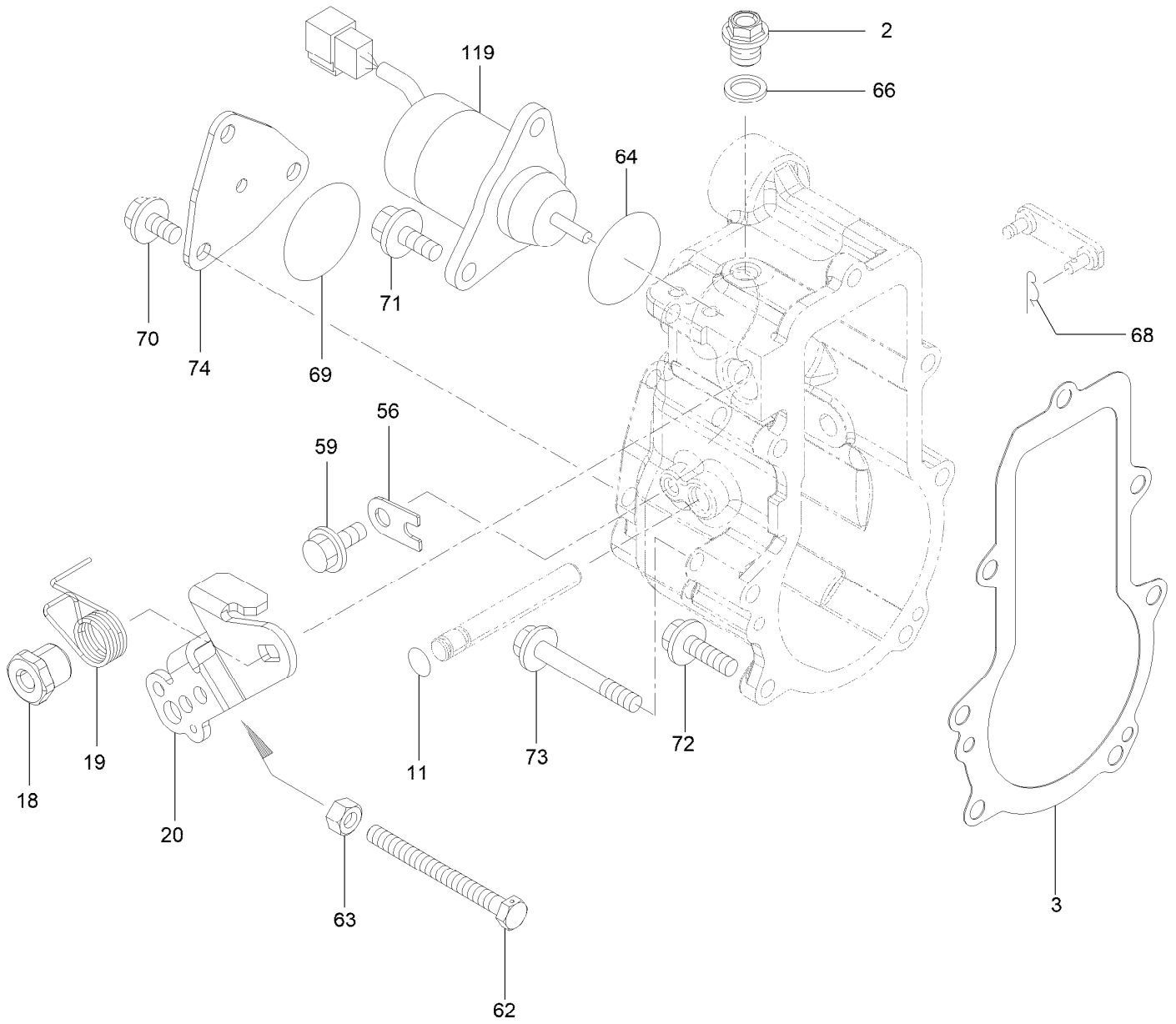
Fuel Injection Pump Assembly



Fuel Injection Pump Assembly (continued)

| <i>Ref.</i> | <i>Part Number</i> | <i>Qty.</i> | <i>Description</i> | <i>Ref.</i> | <i>Part Number</i> | <i>Qty.</i> | <i>Description</i> |
|-------------|--------------------|-------------|-----------------------|-------------|--------------------|-------------|--------------------|
| 1 | 145-7890 | 1 | Fie Assy | 82 | 135-4217 | 1 | Cover |
| 5 | 135-4205 | 2 | Bolt-Stud | 83 | 135-4218 | 1 | Gasket |
| 8 | 135-4206 | 1 | Key-Feather, Woodruff | 84 | 135-4219 | 1 | Stopper-Rack |
| 18 | 135-4207 | 1 | O-Ring | 86 | 136-8236 | 1 | Washer-Seal |
| 31 | 135-4209 | 1 | Deflector | 87 | 135-4220 | 1 | Washer-Spring |
| 32 | 135-4210 | 1 | Plug-Deflector | 88 | 125-7183 | 2 | Pin-Spring |
| 33 | 135-4211 | 1 | O-Ring | 92 | 135-4221 | 8 | Screw |
| 34 | 135-4212 | 1 | Plug-Deflector | 94 | 133-2506 | 1 | Nut |
| 43 | 135-4213 | 1 | Plug-Rack | 97 | 135-4222 | 2 | Nut |
| 44 | 135-4214 | 1 | O-Ring | 100 | 135-4223 | 1 | Gasket |
| 80 | 145-7830 | 1 | Cover, Pump Bottom | 101 | 135-4224 | 1 | Cover-Pump |
| 81 | 135-4216 | 1 | Gasket | | | | |

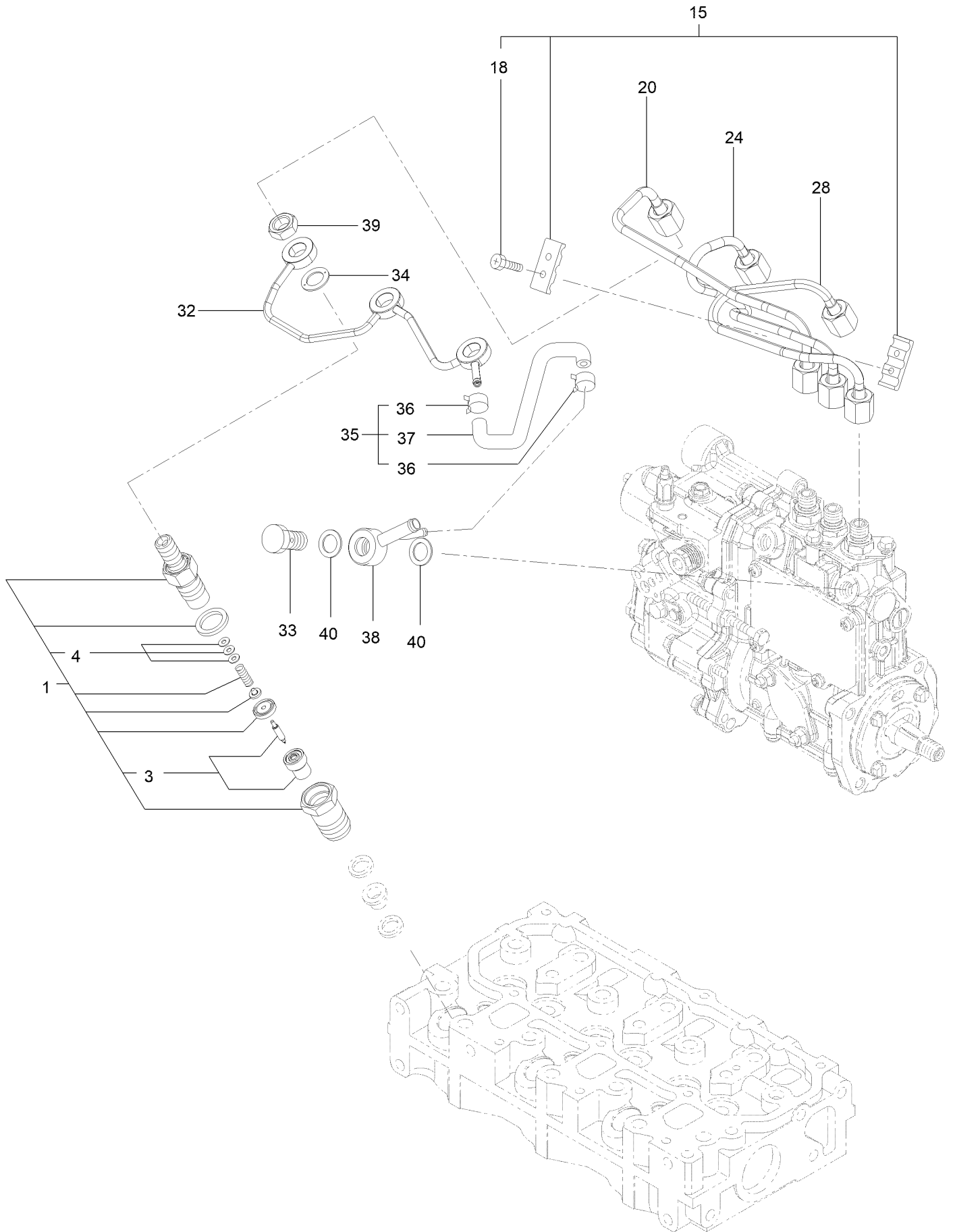
Governor Assembly



Governor Assembly (continued)

| <i>Ref.</i> | <i>Part Number</i> | <i>Qty.</i> | <i>Description</i> | <i>Ref.</i> | <i>Part Number</i> | <i>Qty.</i> | <i>Description</i> |
|-------------|--------------------|-------------|--------------------|-------------|--------------------|-------------|----------------------|
| 2 | 135-4226 | 1 | Plug | 64 | 134-1520 | 1 | O-Ring |
| 3 | 135-4227 | 1 | Gasket | 66 | 125-7175 | 1 | Washer-Seal |
| 11 | 135-4207 | 1 | O-Ring | 68 | 134-1529 | 1 | Pin |
| 18 | 134-1508 | 1 | Nut | 69 | 145-7888 | 1 | O-Ring, 1As36.0 |
| 19 | 145-7853 | 1 | Spring, Lever | 70 | 125-7205 | 3 | Bolt |
| 20 | 134-1385 | 1 | Lever-Control | 71 | 125-7207 | 2 | Bolt |
| 56 | 134-1395 | 1 | Stopper-Shaft | 72 | 125-7209 | 4 | Bolt |
| 59 | 125-7205 | 1 | Bolt | 73 | 136-8256 | 3 | Bolt |
| 62 | 145-7885 | 1 | Bolt, Idle | 74 | 145-7884 | 1 | Cover, Governor Case |
| 63 | 134-4014 | 1 | Nut | 119 | 134-4015 | 1 | Solenoid, Stop |

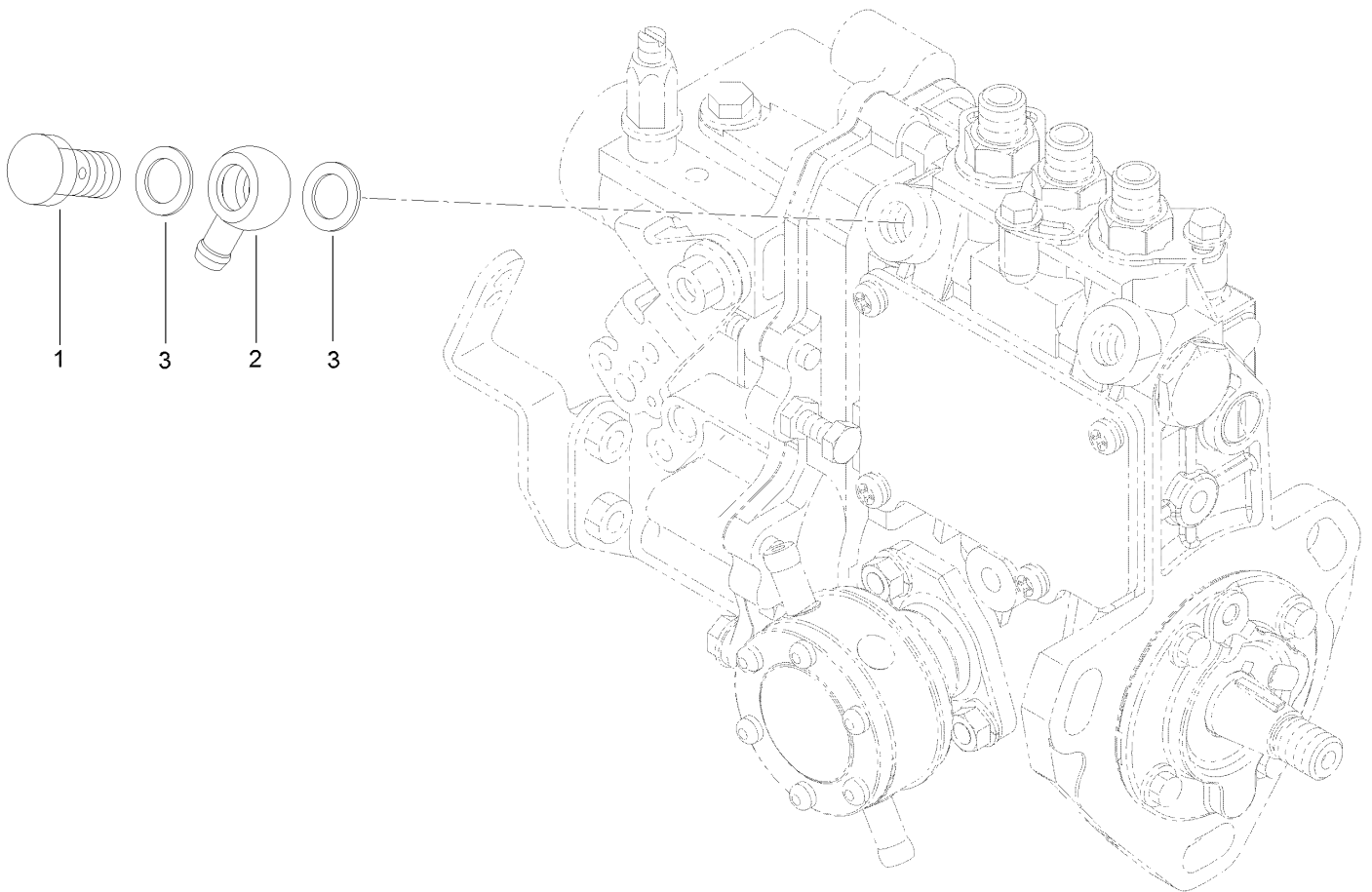
Fuel Injection Valve Assembly



Fuel Injection Valve Assembly (continued)

| <i>Ref.</i> | <i>Part Number</i> | <i>Qty.</i> | <i>Description</i> | <i>Ref.</i> | <i>Part Number</i> | <i>Qty.</i> | <i>Description</i> |
|-------------|--------------------|-------------|-----------------------|-------------|--------------------|-------------|----------------------|
| 1 | 135-4229 | 3 | Nozzle ASM | 33 | 145-7832 | 1 | Bolt, Pipe Joint |
| 3 | 135-4230 | 3 | Nozzle ASM | 34 | 135-4237 | 3 | Gasket |
| 4 | 135-4231 | 3 | Adjusting Shim Set | 35 | 145-7883 | 1 | Pipe Assy, Fo Return |
| 15 | 134-1488 | 1 | Retainer-Pipe | 36 | 136-8225 | 2 | Clamp-Hose |
| 18 | 125-7027 | 2 | Bolt | 37 | 145-7882 | 1 | Pipe, Fo Return |
| 20 | 145-7876 | 1 | Pipe Assy, Injection | 38 | 145-7860 | 1 | Joint, Overflow |
| 24 | 145-7877 | 1 | Pipe, Injection No. 2 | 39 | 135-4240 | 3 | Nut-Nozzle |
| 28 | 145-7878 | 1 | Pipe, Injection No. 3 | 40 | 125-7176 | 2 | Washer-Seal |
| 32 | 145-7875 | 1 | Pipe Assy, Return | | | | |

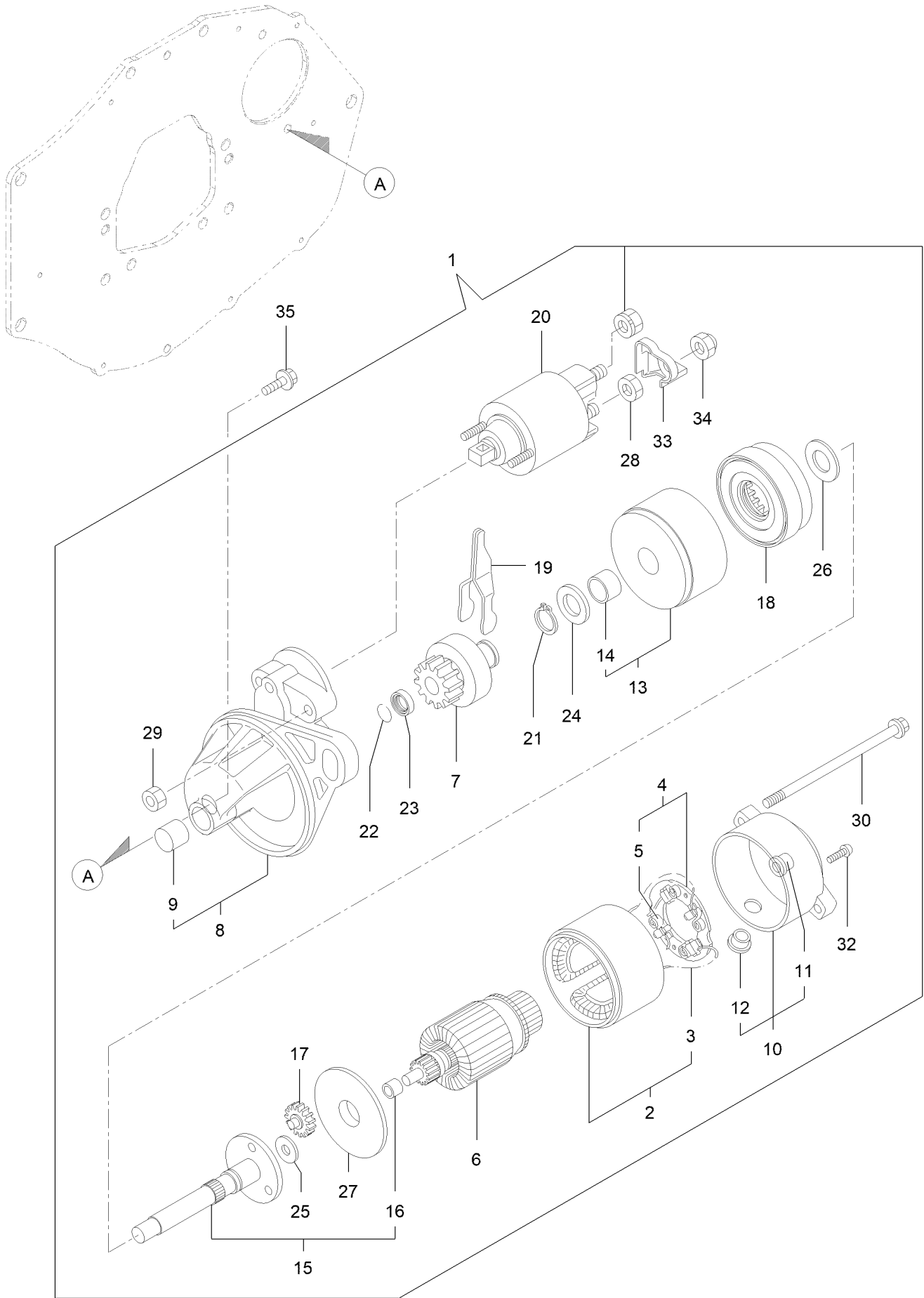
Fuel Pipe Assembly



Fuel Pipe Assembly (continued)

| <i>Ref.</i> | <i>Part Number</i> | <i>Qty.</i> | <i>Description</i> |
|-------------|--------------------|-------------|--------------------|
| 1 | 135-4242 | 1 | Bolt-Joint, Pipe |
| 2 | 135-4243 | 1 | Joint-Pipe |
| 3 | 125-7176 | 2 | Washer-Seal |

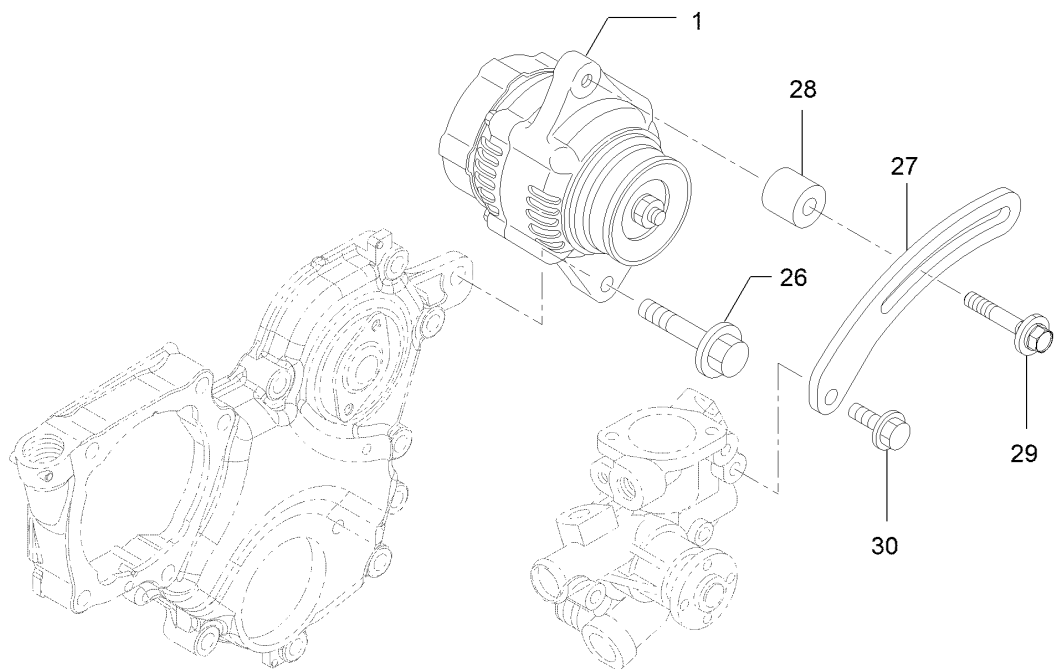
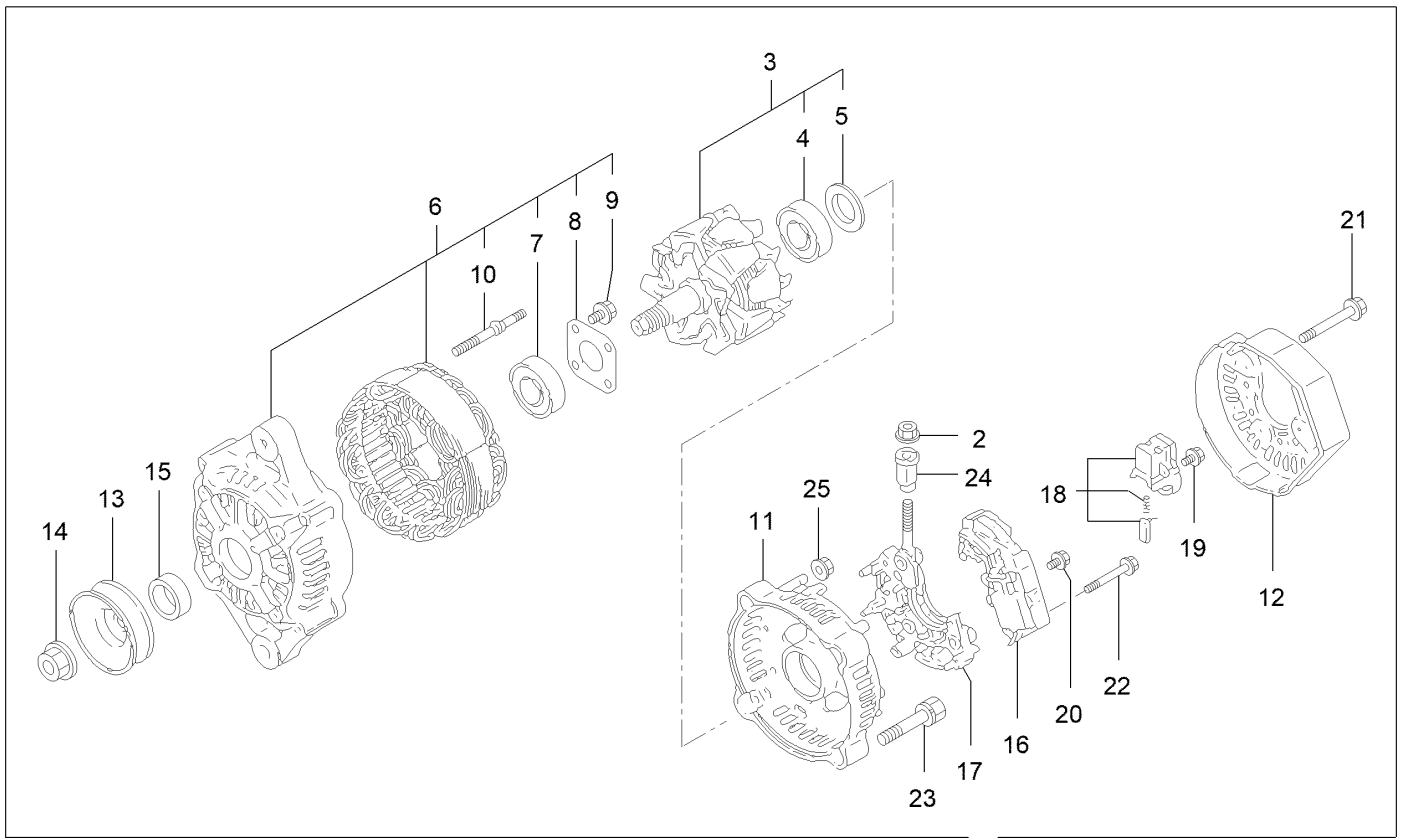
Starter Motor Assembly



Starter Motor Assembly (continued)

| <i>Ref.</i> | <i>Part Number</i> | <i>Qty.</i> | <i>Description</i> | <i>Ref.</i> | <i>Part Number</i> | <i>Qty.</i> | <i>Description</i> |
|-------------|--------------------|-------------|--------------------|-------------|--------------------|-------------|--------------------|
| 1 | 145-7851 | 1 | Starter, P1.0 | 18 | 135-4261 | 1 | Gear |
| 2 | 145-7892 | 1 | Yoke Assy | 19 | 135-4262 | 1 | Lever |
| 3 | 135-4246 | 2 | Starter Kit | 20 | 135-4263 | 1 | Switch ASM |
| 4 | 135-4247 | 1 | Holder ASM | 21 | 135-4264 | 1 | Ring |
| 5 | 135-4248 | 4 | Spring | 22 | 135-4265 | 1 | Ring |
| 6 | 145-7893 | 1 | Armature Assy | 23 | 135-4266 | 1 | Nut |
| 7 | 135-4250 | 1 | Clutch ASM | 24 | 135-4267 | 1 | Washer |
| 8 | 135-4251 | 1 | Housing ASM | 25 | 135-4268 | 1 | Washer |
| 9 | 135-4252 | 1 | Bearing-Needle | 26 | 135-4269 | 1 | Washer |
| 10 | 135-4253 | 1 | Frame ASM | 27 | 135-4270 | 1 | Plate |
| 11 | 135-4254 | 1 | Bearing | 28 | 135-4271 | 1 | Nut |
| 12 | 135-4255 | 1 | Cover | 29 | 135-4272 | 2 | Nut |
| 13 | 135-4256 | 1 | Bearing ASM | 30 | 145-7894 | 2 | Bolt, Through |
| 14 | 135-4257 | 1 | Bearing | 32 | 135-4274 | 2 | Screw |
| 15 | 135-4258 | 1 | Shaft ASM | 33 | 135-4275 | 1 | Cover-Terminal |
| 16 | 135-4259 | 1 | Bearing | 34 | 135-4276 | 1 | Nut |
| 17 | 135-4260 | 3 | Gear | 35 | 127-3179 | 2 | Bolt |

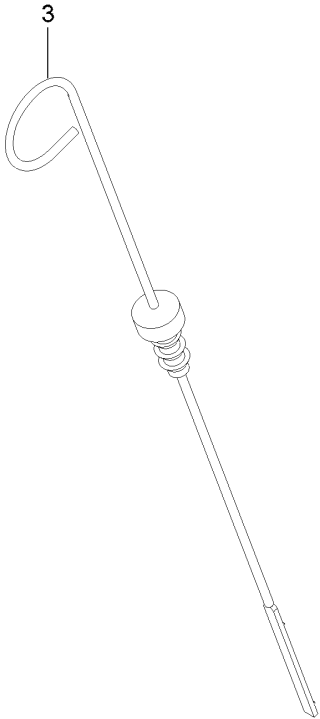
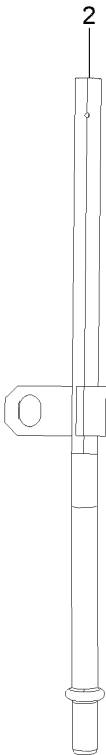
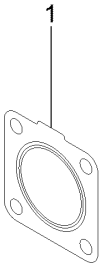
Generator Assembly



Generator Assembly (continued)

| <i>Ref.</i> | <i>Part Number</i> | <i>Qty.</i> | <i>Description</i> | <i>Ref.</i> | <i>Part Number</i> | <i>Qty.</i> | <i>Description</i> |
|-------------|--------------------|-------------|---------------------|-------------|--------------------|-------------|--------------------|
| 1 | 134-4016 | 1 | Alternator, 12V-55A | 16 | 145-7881 | 1 | Regulator Assy |
| 2 | 144-0647 | 1 | Nut | 17 | 127-3848 | 1 | Holder |
| 3 | 127-3843 | 1 | Rotor ASM | 18 | 127-2993 | 1 | Holder |
| 4 | 127-2983 | 1 | Bearing-Ball | 19 | 127-2965 | 6 | Screw |
| 5 | 127-2962 | 1 | Cover | 20 | 127-2966 | 1 | Screw |
| 6 | 135-4025 | 1 | Frame ASM | 21 | 127-2967 | 3 | Bolt |
| 7 | 127-2958 | 1 | Bearing-Ball | 22 | 127-2968 | 2 | Screw |
| 8 | 127-2959 | 1 | Plate-Retainer | 23 | 127-2969 | 2 | Bolt |
| 9 | 127-2960 | 4 | Screw | 24 | 127-2970 | 1 | Bushing-Insulation |
| 10 | 127-2961 | 2 | Stud | 25 | 127-2971 | 2 | Nut |
| 11 | 127-3845 | 1 | Frame | 26 | 135-4277 | 1 | Bolt |
| 12 | 134-4017 | 1 | Cover, End | 27 | 145-7852 | 1 | Adjuster, Belt |
| 13 | 127-2954 | 1 | Pulley | 28 | 140-7166 | 1 | Spacer-Adjuster |
| 14 | 127-2955 | 1 | Nut | 29 | 125-7134 | 1 | Bolt |
| 15 | 127-2957 | 1 | Collar | 30 | 125-7595 | 1 | Bolt |

Accessories Assembly

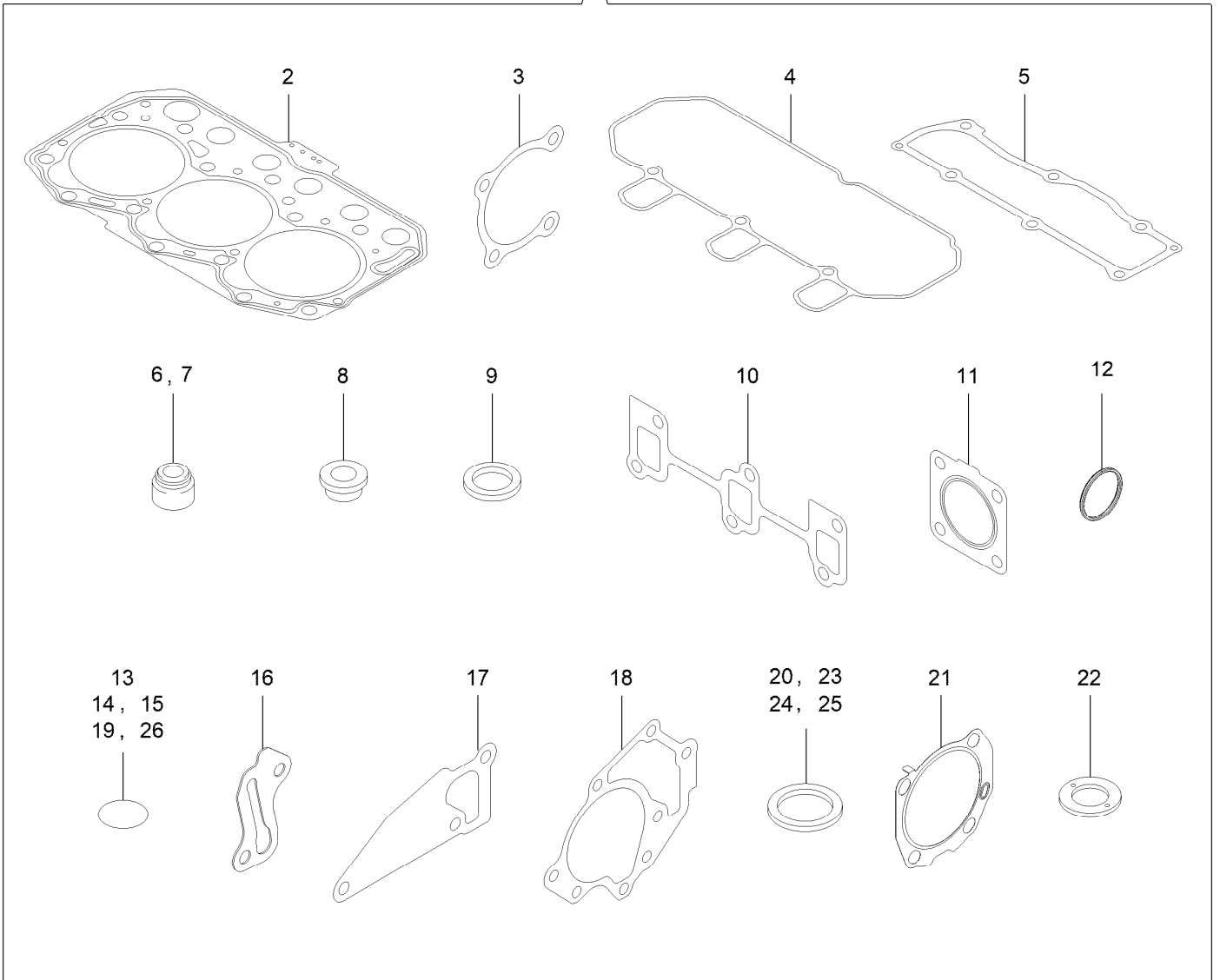


Accessories Assembly (continued)

| <i>Ref.</i> | <i>Part Number</i> | <i>Qty.</i> | <i>Description</i> |
|-------------|--------------------|-------------|--------------------|
| 1 | 134-1383 | 1 | Gasket-Silencer |
| 2 | 145-2012 | 1 | Guide-Dipstick |
| 3 | 145-2013 | 1 | Dipstick |

Gasket Set

1



Gasket Set (continued)

| <i>Ref.</i> | <i>Part Number</i> | <i>Qty.</i> | <i>Description</i> | <i>Ref.</i> | <i>Part Number</i> | <i>Qty.</i> | <i>Description</i> |
|-------------|--------------------|-------------|--------------------------|-------------|--------------------|-------------|--------------------|
| 1 | 145-7891 | 1 | Gasket Set | 14 | 145-7827 | 1 | O-Ring |
| 2 | 145-7861 | 1 | Gasket, Head | 15 | 145-7834 | 1 | O-Ring, P11 |
| 3 | 145-7812 | 1 | Gasket, Pump | 16 | 145-7829 | 1 | Gasket, Oil Pipe |
| 4 | 145-7841 | 1 | Gasket, Bonnet | 17 | 145-7850 | 1 | Gasket, Water Pump |
| 5 | 145-7843 | 1 | Gasket, Bonnet Cover | 18 | 145-7806 | 1 | Gasket, Water Pump |
| 6 | 125-6915 | 3 | Seal-Stem, Valve | 19 | 145-7835 | 1 | O-Ring, P21 Epdm |
| 7 | 125-6916 | 3 | Seal-Stem, Valve | 20 | 125-6979 | 1 | Gasket |
| 8 | 135-4069 | 3 | Protector-Nozzle | 21 | 145-7831 | 1 | Gasket, Fuel Pump |
| 9 | 135-4070 | 6 | Gasket-Nozzle | 22 | 135-4237 | 3 | Gasket |
| 10 | 135-4107 | 1 | Gasket-Manifold, Exhaust | 23 | 125-7176 | 5 | Washer-Seal |
| 11 | 134-1383 | 1 | Gasket-Silencer | 24 | 136-8236 | 1 | Washer-Seal |
| 12 | 134-4004 | 1 | Packing-Washer | 25 | 125-7192 | 1 | Gasket |
| 13 | 133-6654 | 1 | O-Ring | 26 | 136-8249 | 2 | O-Ring |

Attachments and Accessories

For 08103 — Workman UTX-D 4 Passenger Utility Vehicle

| Product Name | Model/Part |
|--|-------------------|
| Canopy-Crew..... | 08111 |
| Glass Windshield and Wiper..... | 08112 |
| Polycarbonate Windshield..... | 08113 |
| Polycarbonate Doors - Standard..... | 08114 |
| Polycarbonate Doors - Crew..... | 08115 |
| Polycarbonate Rear Windshield..... | 08116 |
| Half Doors - Standard/Front (WM UTX)..... | 08117 |
| Half Doors - Crew/Rear (WM UTX)..... | 08118 |
| Heater Only (WM UTX)..... | 08120 |
| HVAC - Diesel (WM UTX)..... | 08123 |
| HVAC - Crew Hose Kit (WM UTX)..... | 08124 |
| Overhead Console and Wire Harness..... | 08130 |
| Work Lights..... | 08131 |
| Beacon..... | 08132 |
| Electric Bed Lift..... | 08134 |
| Homologation Kit, WM UTX..... | 08135 |
| Supervisor Key..... | 08136 |
| Side View Mirror Kit..... | 08140 |
| Rear View Mirror Kit..... | 08141 |
| Center Bed Racking, Workman UTX/MDX..... | 08142 |
| Under Seat Storage..... | 08143 |
| 27in Alloy Wheels and Tires..... | 08144 |
| Draw Bar..... | 08146 |
| Side Bed Racking, Workman UTX/MDX/GTX..... | 08148 |
| Reverse Alarm Kit..... | 131-8549 |
| Mount-Ball..... | 133-7116 |
| Small Bedrack Mount Grip Kit..... | 136-6311 |
| Large Bedrack Mount Grip Kit..... | 136-6312 |
| Wrench-Adjuster, Spring..... | 139-4678 |
| Puller-Clutch, UTX..... | 140-4672 |
| Universal Wireless Hourmeter Kit..... | 144-2436 |
| Universal 12V Power Point Kit..... | 144-2438 |
| Spark Arrester Kit..... | 144-2443 |

Notes:

Notes:

Notes:



Count on it.