



Count on it.

Parts Catalog

**18-inch 11-Blade EdgeSeries™
DPA Cutting Unit**

Reelmaster® 3550 or 3555 Traction Unit

Model No. 03486—Serial No. 405130001 and Up



Ordering Replacement Parts

To order replacement parts, please supply the part number, the quantity, and the description of each part desired.

Understanding Reference Numbers

Each identified part in an illustration has a reference number. The reference number for a part also appears in the parts list, along with other information about the part.

This catalog uses two special reference number formats, one to indicate parts in a service assembly and another to indicate the quantity of a given part in an illustration.

Service Assembly Reference Numbers

Parts in service assemblies have reference numbers in the form a:b. The a represents the reference number of the entire service assembly and the b represents a sequential number unique to each part within the service assembly.

For example, a wheel assembly might be identified by reference number 6, the tire by 6:1, the valve by 6:2, and the wheel by 6:3. When you order the assembly identified by reference number 6, you receive all parts identified by reference numbers 6:1, 6:2, and 6:3. However, you may also order any part individually. Reference numbers of this type appear in illustration and in parts lists.

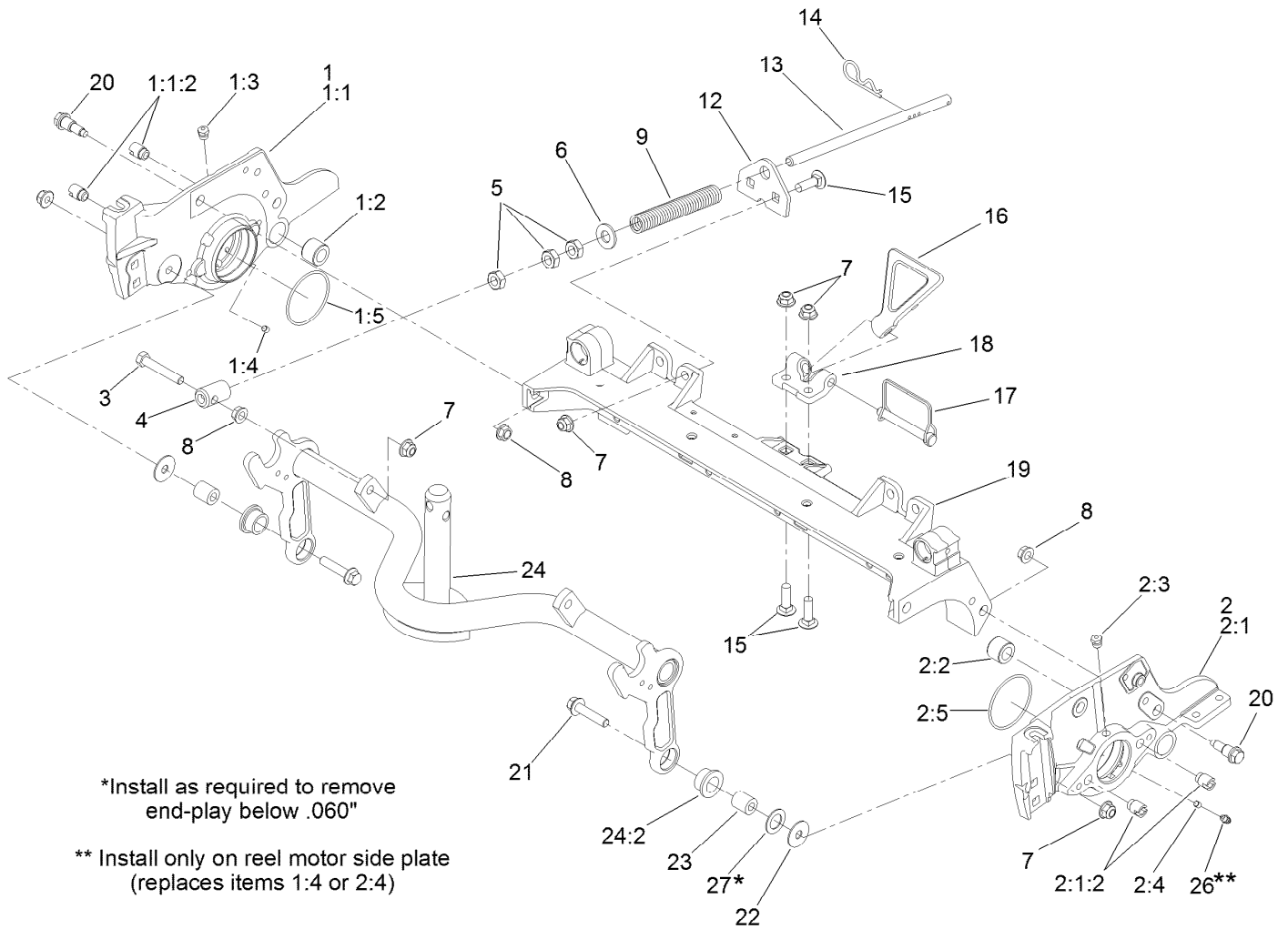
Reference Numbers Indicating Quantity

In an illustration, if a reference number indicates more than one part, the reference number has the form nX y. The n represents the quantity of the part, the X is the multiplication symbol, and the y represents the reference number.

For example, in an illustration, the reference number 2X 37 means that two of the parts identified by reference number 37 are indicated.

Contents

Frame Assembly.....	4
Reel and Bedbar Assembly	6
5in EdgeSeries+ 18in Fairway, 11 Blade, Low Drag, Forward Swept Reel Assembly No. 137-8407	8
Optional Heavy-Duty MVP Kit No. 120-7230.....	9
Roller Assembly	10
Rear-Short Roller Assembly No. 112-1708	11
Optional Long Roller Assembly No. 112-1728.....	12
Plastic Wiehle Roller Assembly No. 112-1704.....	13
Optional Front-Full Roller Assembly No. 112-1732.....	14
Optional Plastic Shoulder Roller Assembly No. 112-1733.....	15
Optional High Height-of-Cut Assembly No. 137-0890	16
Shield Assembly.....	17
Optional Tool Assembly.....	18
Attachments and Accessories	19

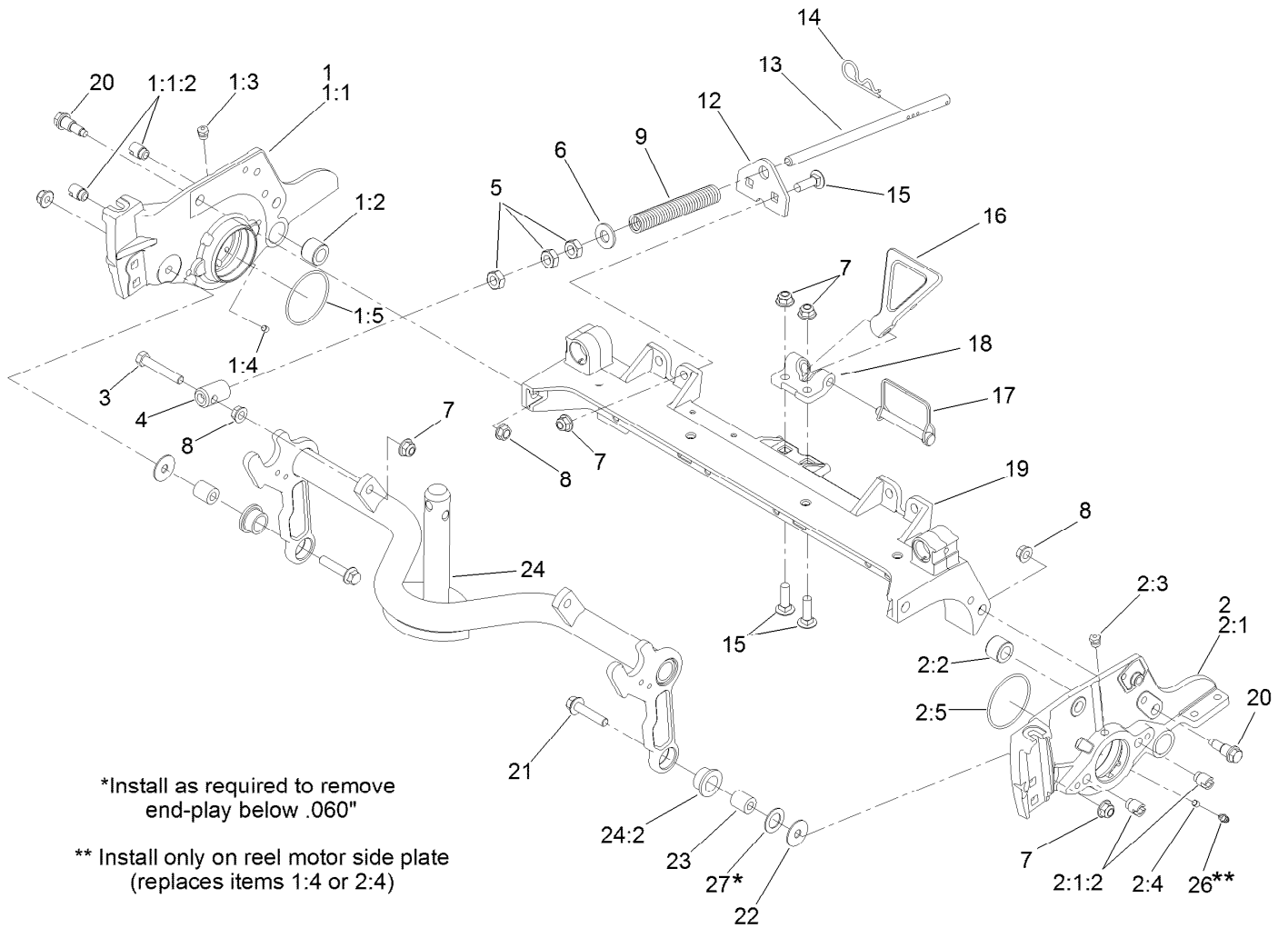


Frame Assembly

Ref.	Part Number	Qty.	Description	Ref.	Part Number	Qty.	Description
1	127-0287	1	5 Inch RH Side Plate ASM	5	3218-5	3	Nut-Jam
1:1		1	5 Inch RH Side Plate Sub ASM ■	6	87-7270	1	Washer-Thrust
1:1:2	127-7149	2	Insert-Threaded, Side Plate	7	104-8301	7	Nut-HF, NI
1:2	106-9618	1	Bushing-Rubber	8	3290-357	5	Nut-HSF
1:3	302-39	1	Fitting-Plug	9	112-1725	1	Spring-Compression
1:4	3245-35	1	Screw-Set, HSH	12	110-4069	1	Bracket
1:5	117-8177	1	O-Ring	13	107-2970	1	Rod
2	127-0285	1	5 Inch LH Side Plate ASM	14	92-2762	1	Pin-Hair
2:1		1	5 Inch LH Side Plate Sub ASM ■	15	3231-25	4	Bolt-CARR
2:1:2	127-7149	2	Insert-Threaded, Side Plate	16	119-8010-03	1	Kickstand ●
2:2	106-9618	1	Bushing-Rubber	17	107-7400	1	Pin-Lynch
2:3	302-39	1	Fitting-Plug	18	110-4058	1	Bracket-Chain
2:4	3245-35	1	Screw-Set, HSH	19	112-1703	1	Frame
2:5	117-8177	1	O-Ring	20	107-2979	4	Bolt-Shoulder
3	104-3396	1	Screw-HH	21	3234-19	2	Screw-HHF
4	99-8662	1	Tube-Spring	22	130-8094	2	Washer-Plain
				23	108-4279	2	Spacer-Frame
				24	131-4712	1	Carrier Frame ASM
				27*			

● Optional Equipment

■ Not serviced separately

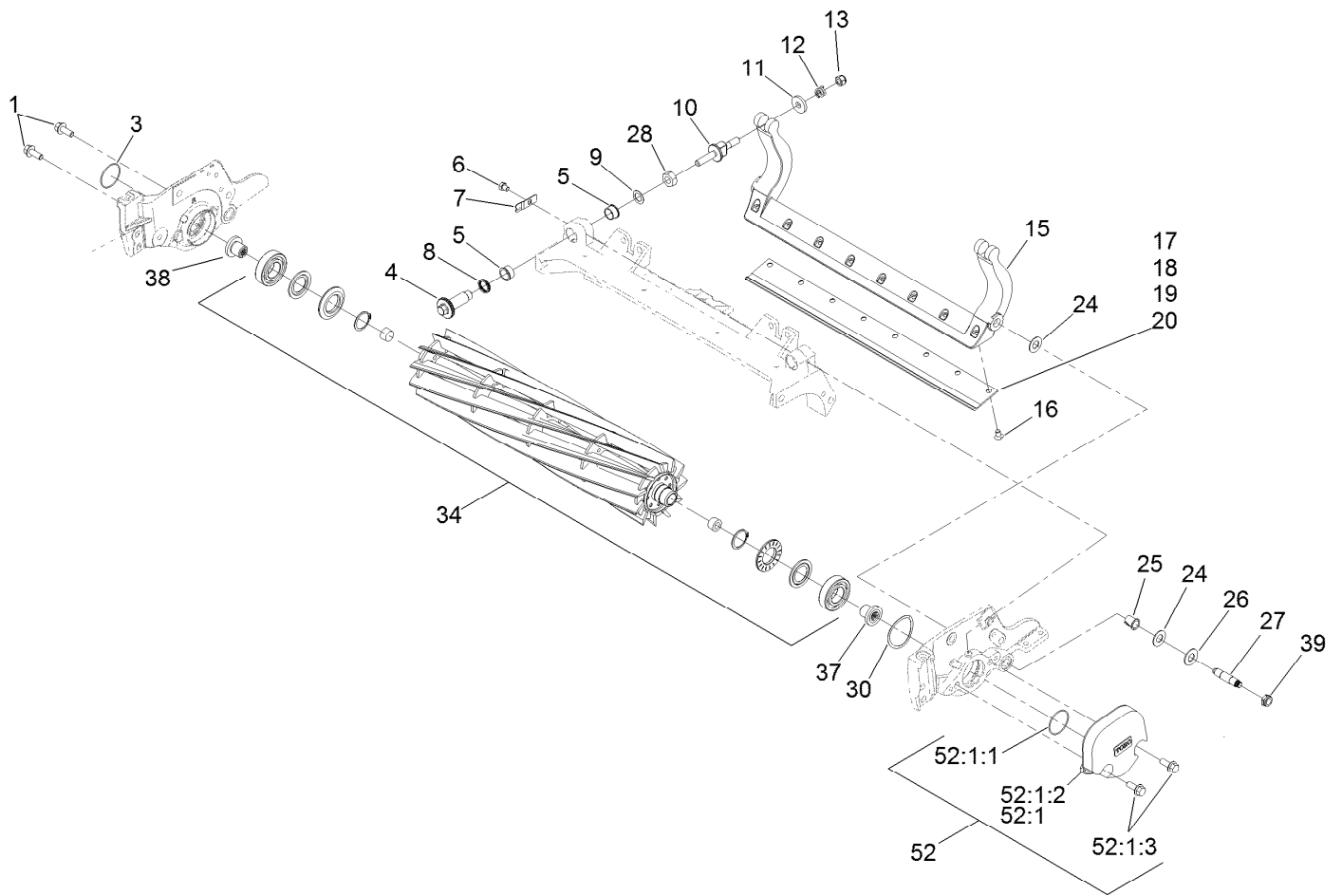


Frame Assembly (continued)

Ref.	Part Number	Qty.	Description	Ref.	Part Number	Qty.	Description
24:2	93-2877	2	Bushing	26	302-5	1	Fitting-Grease
				27	67-9410	1	Washer

● Optional Equipment

■ Not serviced separately

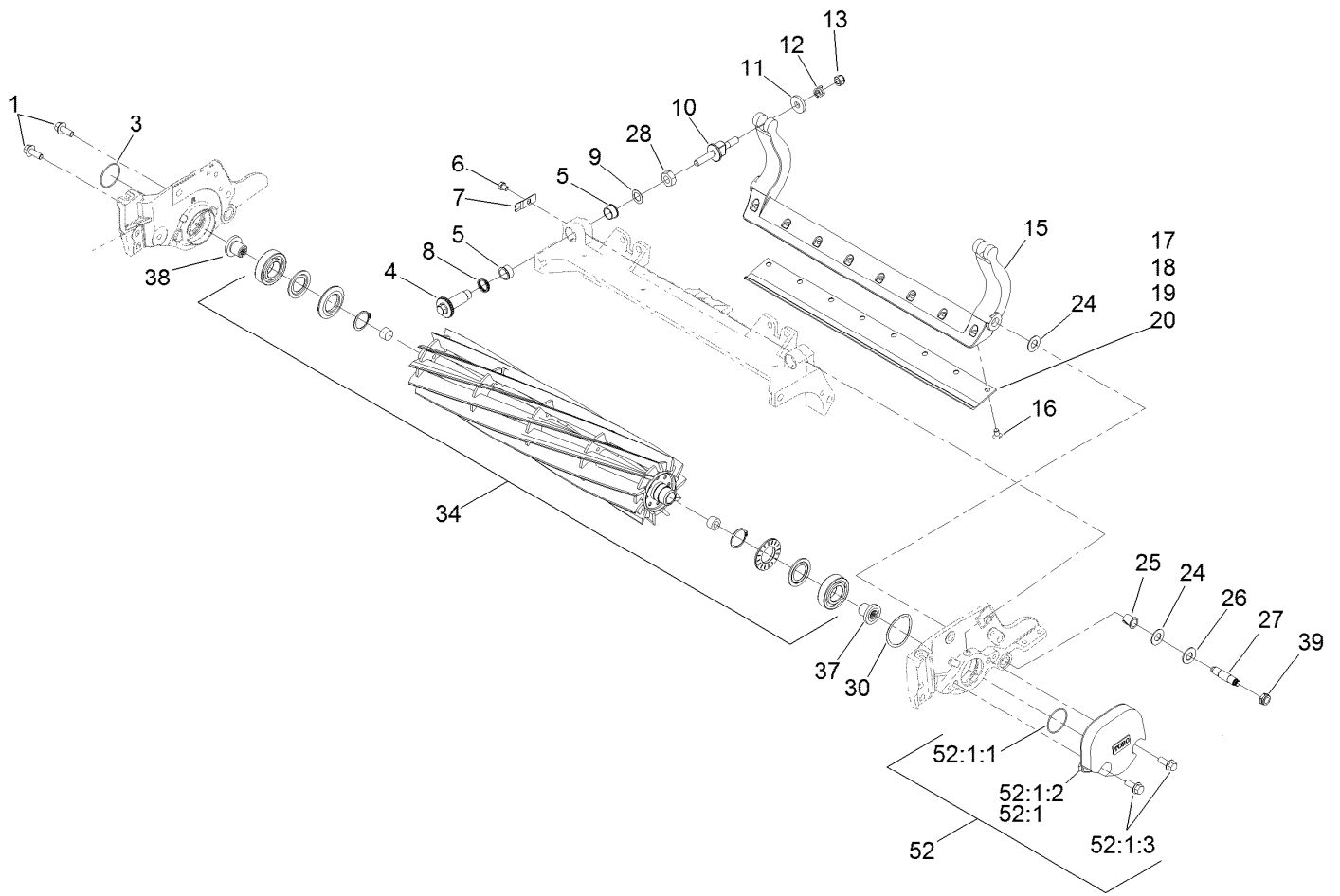


Reel and Bedbar Assembly

Ref.	Part Number	Qty.	Description	Ref.	Part Number	Qty.	Description
1	3234-11	2	Screw-HHF	19	137-0830	1	Bedknife-Edgemax Lowcut 18In
3	237-68	1	O-Ring	20	121-3167	1	Bedknife-Low Cut ●■
4	120-5118	2	Shaft-Adjuster	24	61-1950	4	Washer-Plastic
5	106-5344	4	Bushing-Flange, Keyed	25	56-9520	2	Bushing-Flanged
6	119-4067	2	Screw-HH	26	69-8980	2	Washer
7	99-2097	2	Detent	27	120-9941	2	Bolt-Bedbar
8	120-5116	2	Washer-Wave	28	3296-33	2	Nut-Lock, NI
9	108-0015	2	Washer-Flat	30	115-5258	1	Spring-Wire, Flat
10	115-7039	2	Screw-Adjuster, Bedbar	34	137-8407	1	ES Reel+,5In Fwy(18)11 Bld LD(Fsr)
11	119-4155	2	Washer-Hardened	37	130-0064	1	Insert-Threaded, 5 Inch (LH)
12	120-5120	2	Spring-Compression	38	130-0063	1	Insert-Threaded, 5 Inch (RH)
13	119-4039	2	Nut-Hex	39	3296-28	2	Nut-Lock, NI
15	112-1718-01	1	Bedbar	45	120-7230	1	Rm HD DPA MVP Kit ●■
15	131-3222-0P	1	Bedbar-Agressive, 18In ■	52	03484	1	5 Inch Weight-Cu (W/O Attach) ■
16	119-4151	6	Screw-Bedknife				
17	137-0831	1	Bedknife-Edgemax ●■				
18	121-3166	1	Bedknife-STD ●■				

● Not illustrated
▲ Not serviced separately

■ Optional Equipment



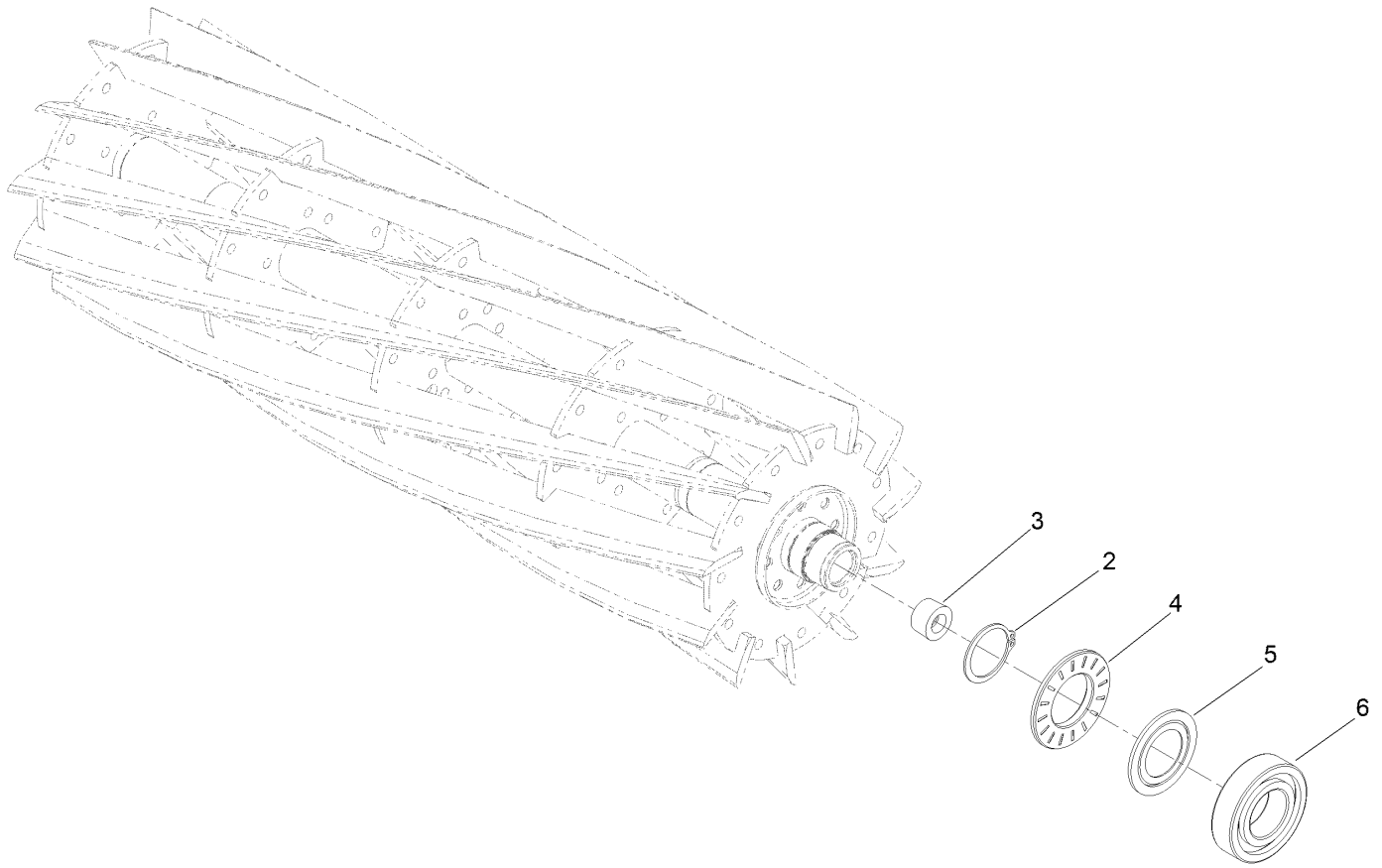
Reel and Bedbar Assembly (continued)

<i>Ref.</i>	<i>Part Number</i>	<i>Qty.</i>	<i>Description</i>
52:1		1	Cutting Unit Weight Kit ▲
52:1:1	237-68	5	O-Ring

<i>Ref.</i>	<i>Part Number</i>	<i>Qty.</i>	<i>Description</i>
52:1:2	125-2779-01	5	Weight-End, 5 Inch
52:1:3	3234-11	10	Screw-HHF

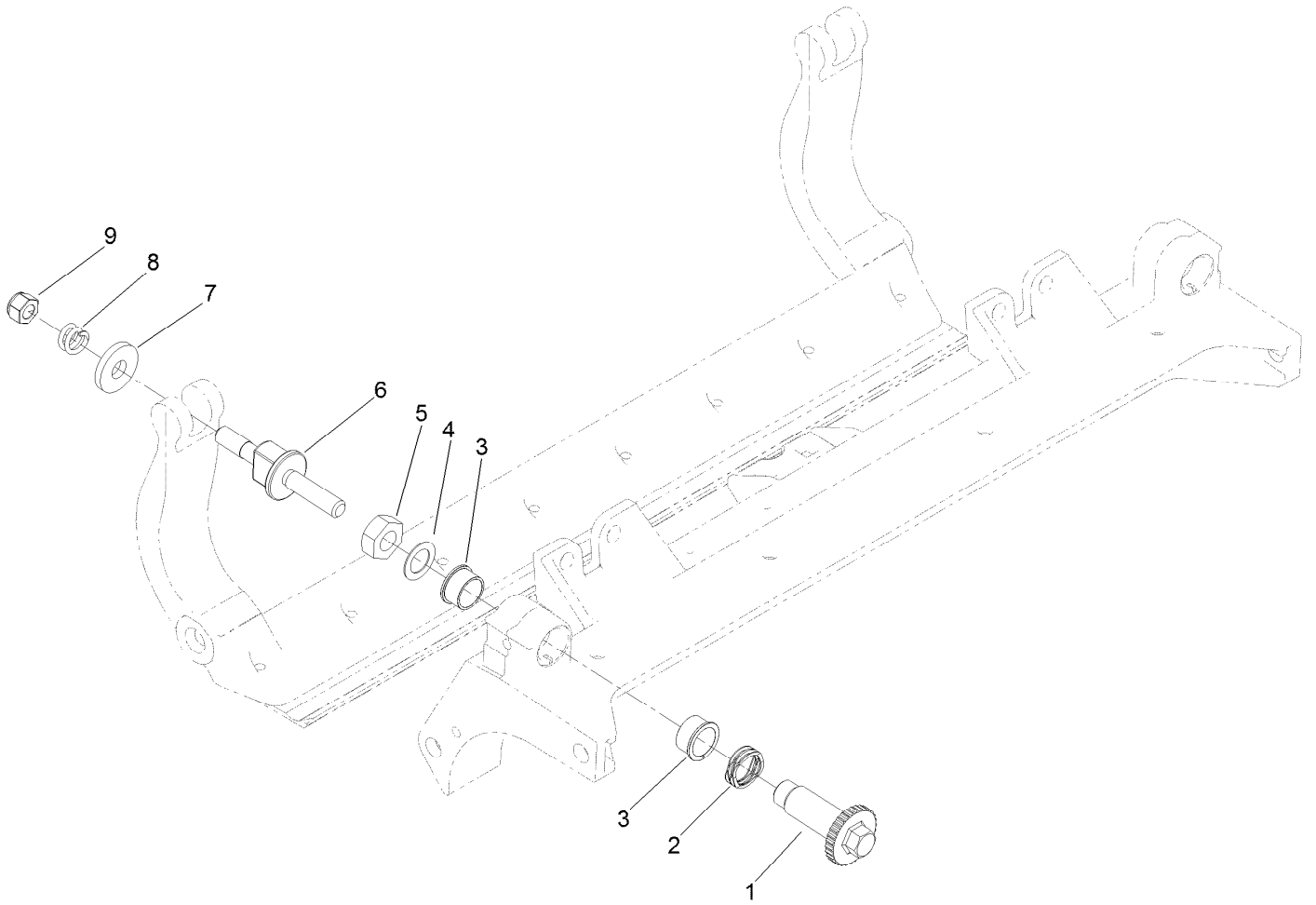
● Not illustrated
 ▲ Not serviced separately

■ Optional Equipment



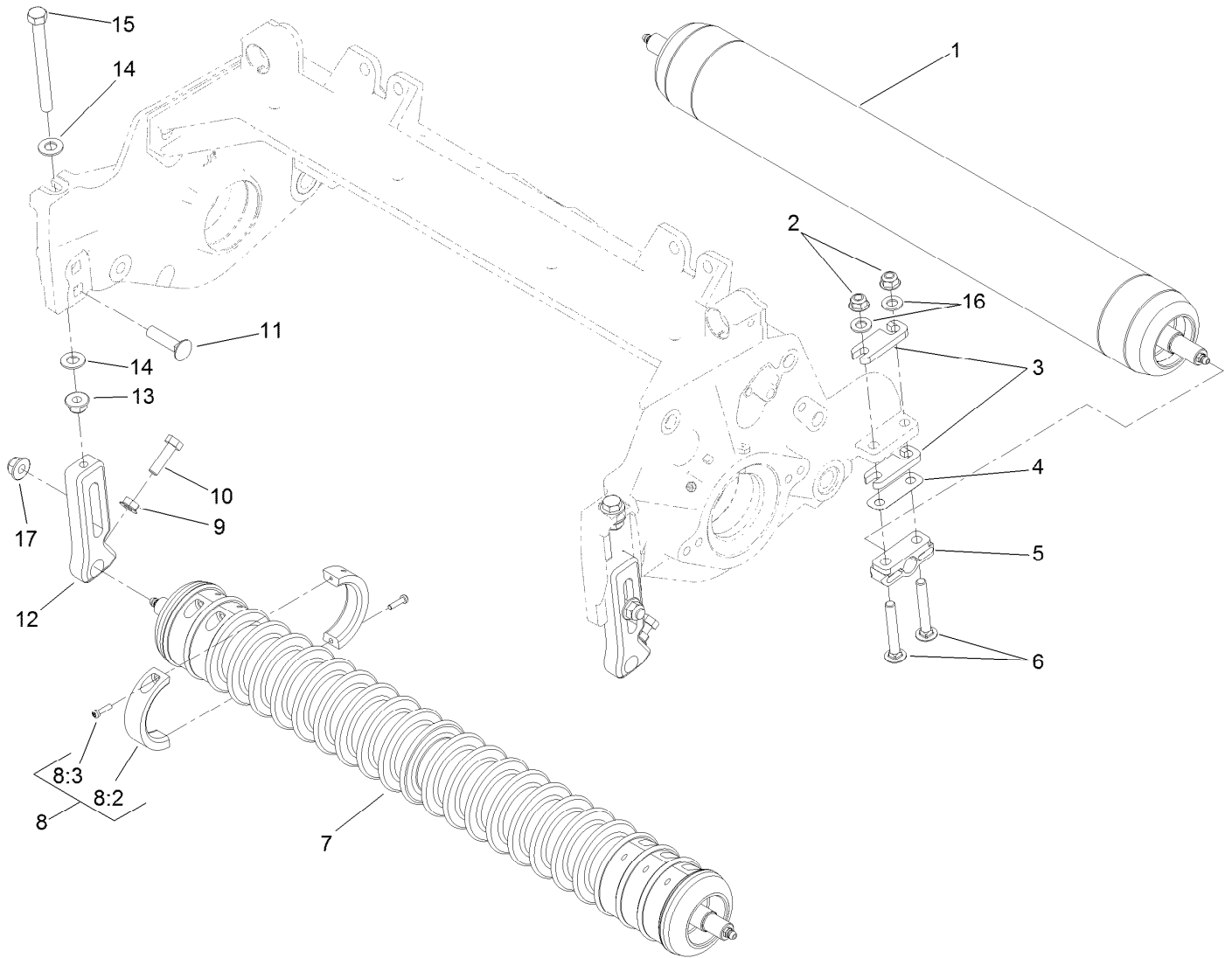
5in EdgeSeries+ 18in Fairway, 11 Blade, Low Drag, Forward Swept Reel Assembly No. 137-8407

<i>Ref.</i>	<i>Part Number</i>	<i>Qty.</i>	<i>Description</i>
2	92-2601	2	Ring-Retaining
3	127-7118	2	Plug-Shaft, Reel
4	127-4284	2	Washer-Special
5	115-3299	2	Seal-Flocked
6	115-3296	2	Bearing-Sealed



Optional Heavy-Duty MVP Kit No. 120-7230

<i>Ref.</i>	<i>Part Number</i>	<i>Qty.</i>	<i>Description</i>
1	120-5118	2	Shaft-Adjuster
2	120-5116	2	Washer-Wave
3	106-5344	4	Bushing-Flange, Keyed
4	108-0015	2	Washer-Flat
5	3296-33	2	Nut-Lock, NI
6	115-7039	2	Screw-Adjuster, Bedbar
7	119-4155	2	Washer-Hardened
8	120-5120	2	Spring-Compression
9	119-4039	2	Nut-Hex

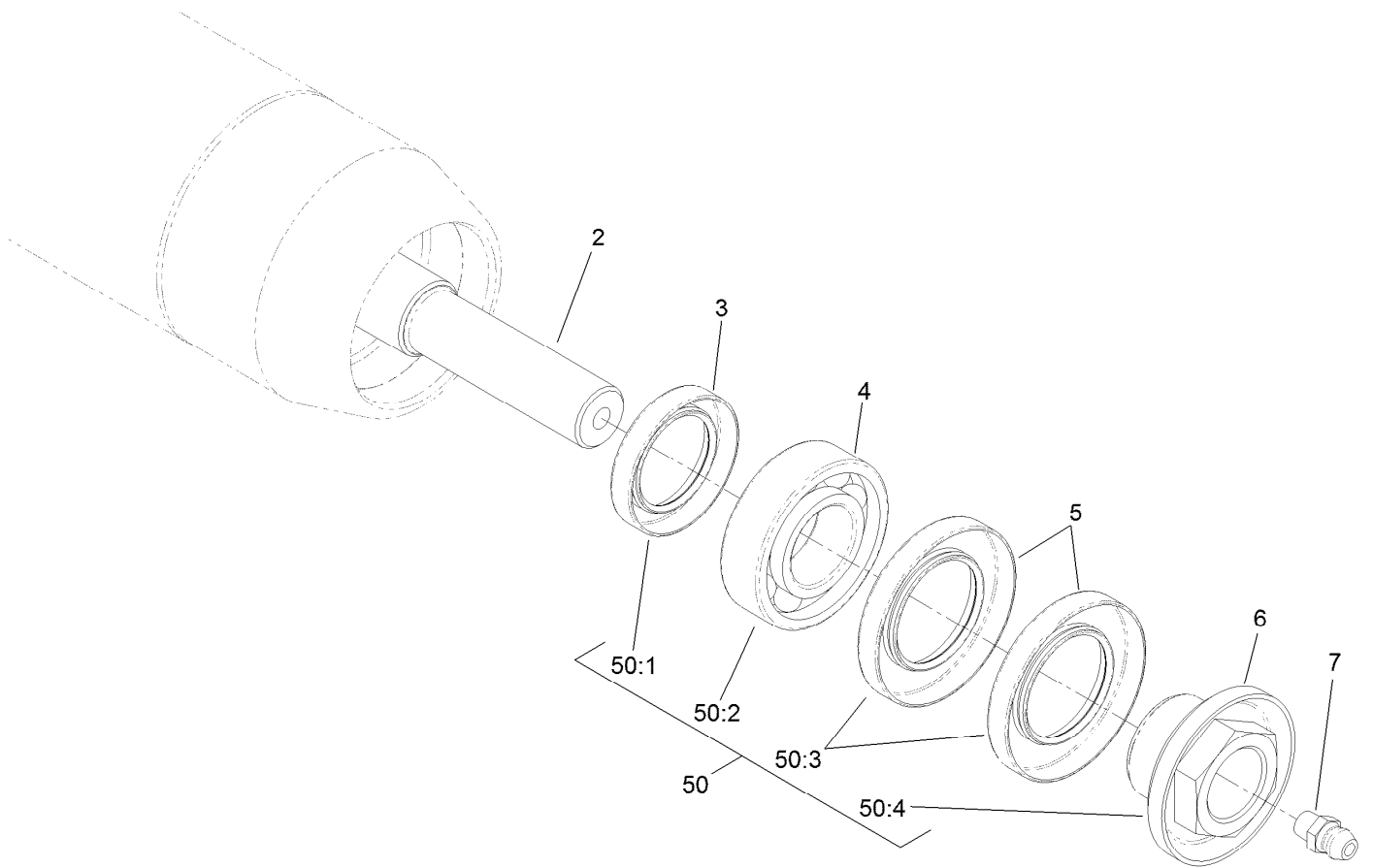


Roller Assembly

Ref.	Part Number	Qty.	Description	Ref.	Part Number	Qty.	Description
1	112-1708	1	Short Rear Roller ASM	8:2	100-4959	2	Collar
1	112-1728	1	Long Rear Roller ASM	8:3	104-1835	2	Screw
2	104-8300	4	Nut-HF, NI	9	32128-20	2	Nut-HF
3	119-0626	4	Shim-Roller	10	322-16	2	Screw-HH
4	107-4001	2	Shim-Roller (0.01 Inch) ■	11	3231-4	2	Screw-CARR
5	106-3924	2	Bracket-Roller, Rear	12	125-2796	2	Bracket-Front HOC
6	3230-7	4	Bolt-CARR	13	104-8301	2	Nut-HF, NI
7	112-1704	1	Plastic Wiehle Roller ASM	14	48-9220	4	Washer-Flat
7	112-1732	1	Full Roller ASM ●■	15	133-7571	2	Screw-HOC, Fairway
7	112-1733	1	Plastic Shoulder Roller ASM (18In) ●■	16	94-6936	4	Washer-Hardened
8	104-8215	6	Collar Kit ■	17	133-7570	2	Nut-Flange, NI
				50	137-0890	1	Rm DPA High HOC Kit (F18 & Up) ●■

● Not illustrated

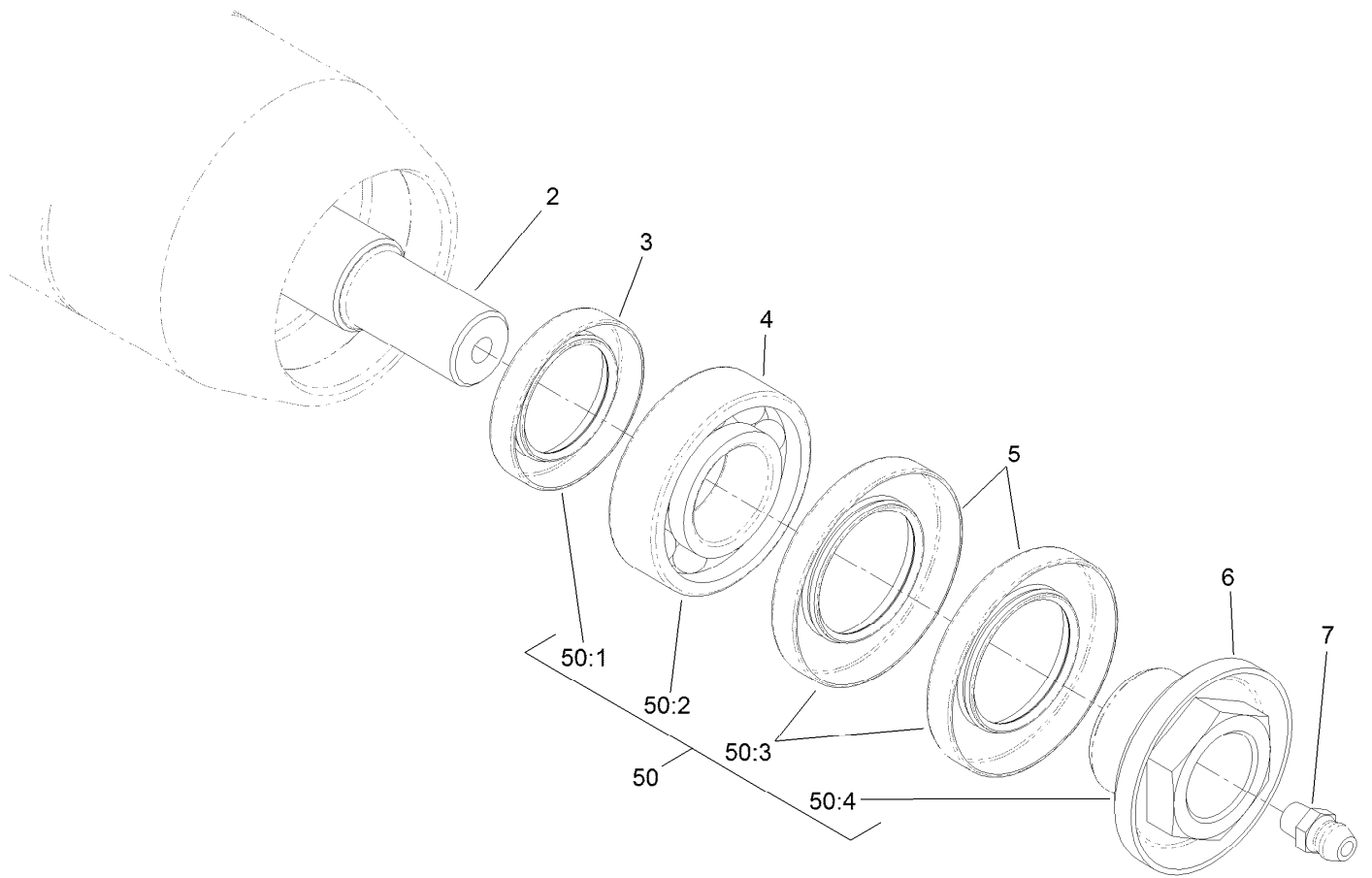
■ Optional Equipment



Rear-Short Roller Assembly No. 112-1708

<i>Ref.</i>	<i>Part Number</i>	<i>Qty.</i>	<i>Description</i>
2	112-1711	1	Shaft-Rear Roller, Short
3	114-3717	2	Seal-Oil
4	112-5290	2	Bearing-Steel, Stainless
5	112-7494	4	Seal
6	114-3745	2	Nut-Lock, Bearing
6	114-5411	2	Nut-Lock, Bearing
7	302-5	2	Fitting-Grease
50	114-5430	2	Roller Rebuild Kit ●
50:1	114-3717	2	Seal-Oil
50:2	112-5290	2	Bearing-Steel, Stainless
50:3	112-7494	4	Seal
50:4	114-3745	2	Nut-Lock, Bearing

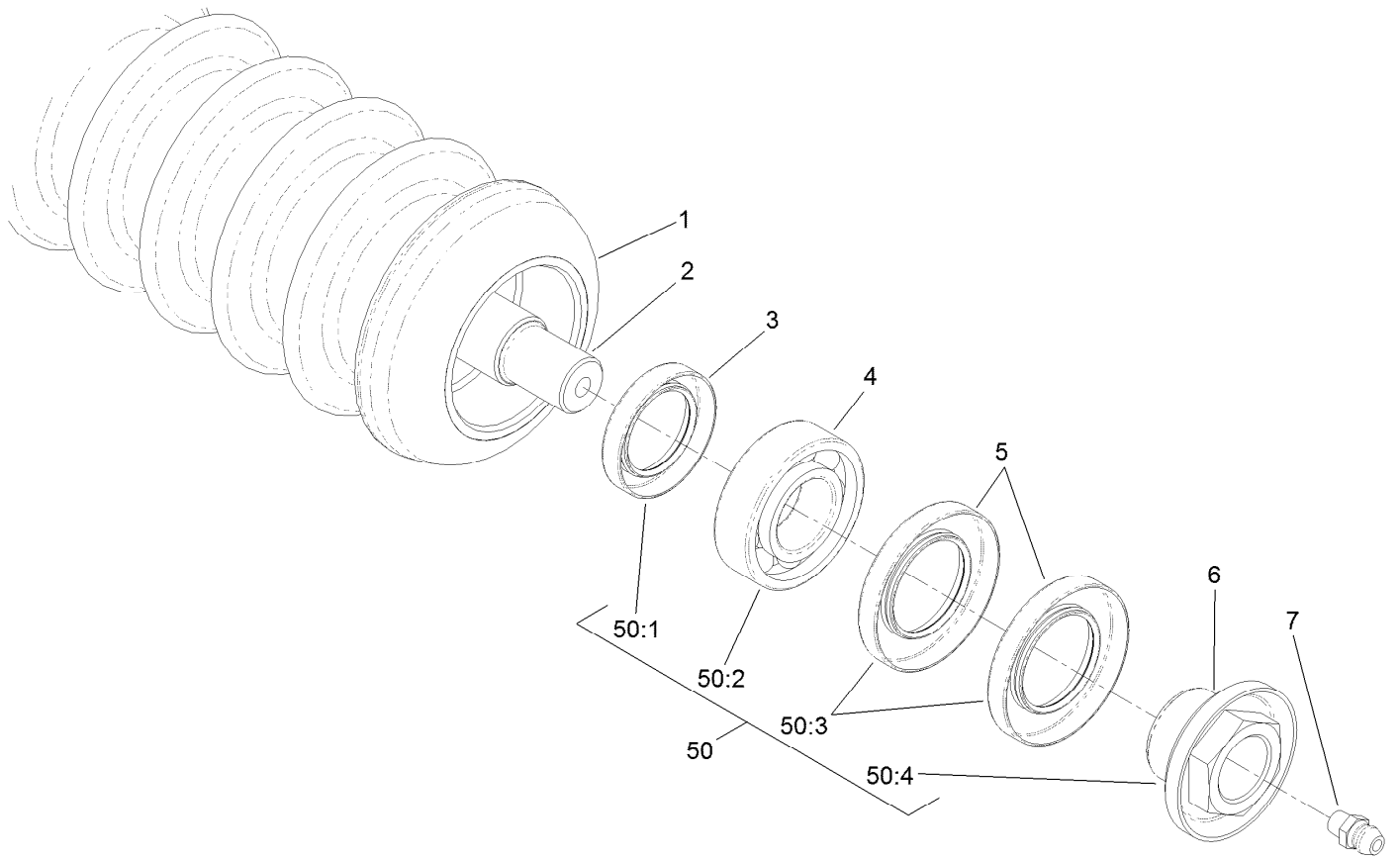
● Optional Equipment



Optional Long Roller Assembly No. 112-1728

<i>Ref.</i>	<i>Part Number</i>	<i>Qty.</i>	<i>Description</i>
2	112-1731	1	Shaft-Rear Roller, Long
3	114-3717	2	Seal-Oil
4	112-5290	2	Bearing-Steel, Stainless
5	112-7494	4	Seal
6	114-5411	2	Nut-Lock, Bearing
6	114-3745	2	Nut-Lock, Bearing
7	302-5	2	Fitting-Grease
50	114-5430	2	Roller Rebuild Kit ●
50:1	114-3717	2	Seal-Oil
50:2	112-5290	2	Bearing-Steel, Stainless
50:3	112-7494	4	Seal
50:4	114-3745	2	Nut-Lock, Bearing

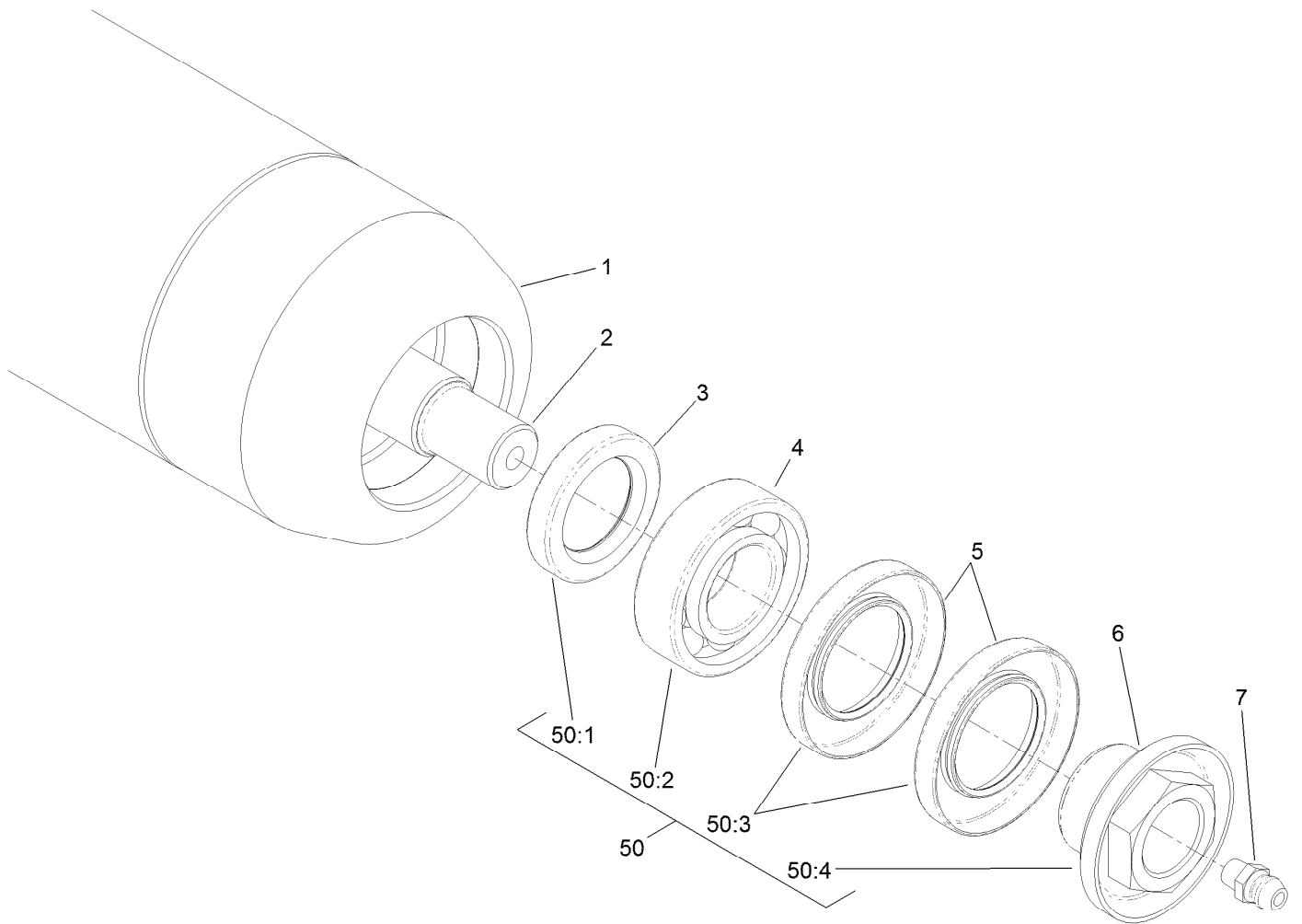
● Optional Equipment



Plastic Wiehle Roller Assembly No. 112-1704

<i>Ref.</i>	<i>Part Number</i>	<i>Qty.</i>	<i>Description</i>
1	112-1705	1	Roller-Wiehle, Plastic
2	112-1707	1	Shaft-Roller, Wiehle
3	114-3717	2	Seal-Oil
4	112-5290	2	Bearing-Steel, Stainless
5	112-7494	4	Seal
6	114-3745	2	Nut-Lock, Bearing
6	114-5411	2	Nut-Lock, Bearing
7	302-5	2	Fitting-Grease
50	114-5430	2	Roller Rebuild Kit ●
50:1	114-3717	2	Seal-Oil
50:2	112-5290	2	Bearing-Steel, Stainless
50:3	112-7494	4	Seal
50:4	114-3745	2	Nut-Lock, Bearing

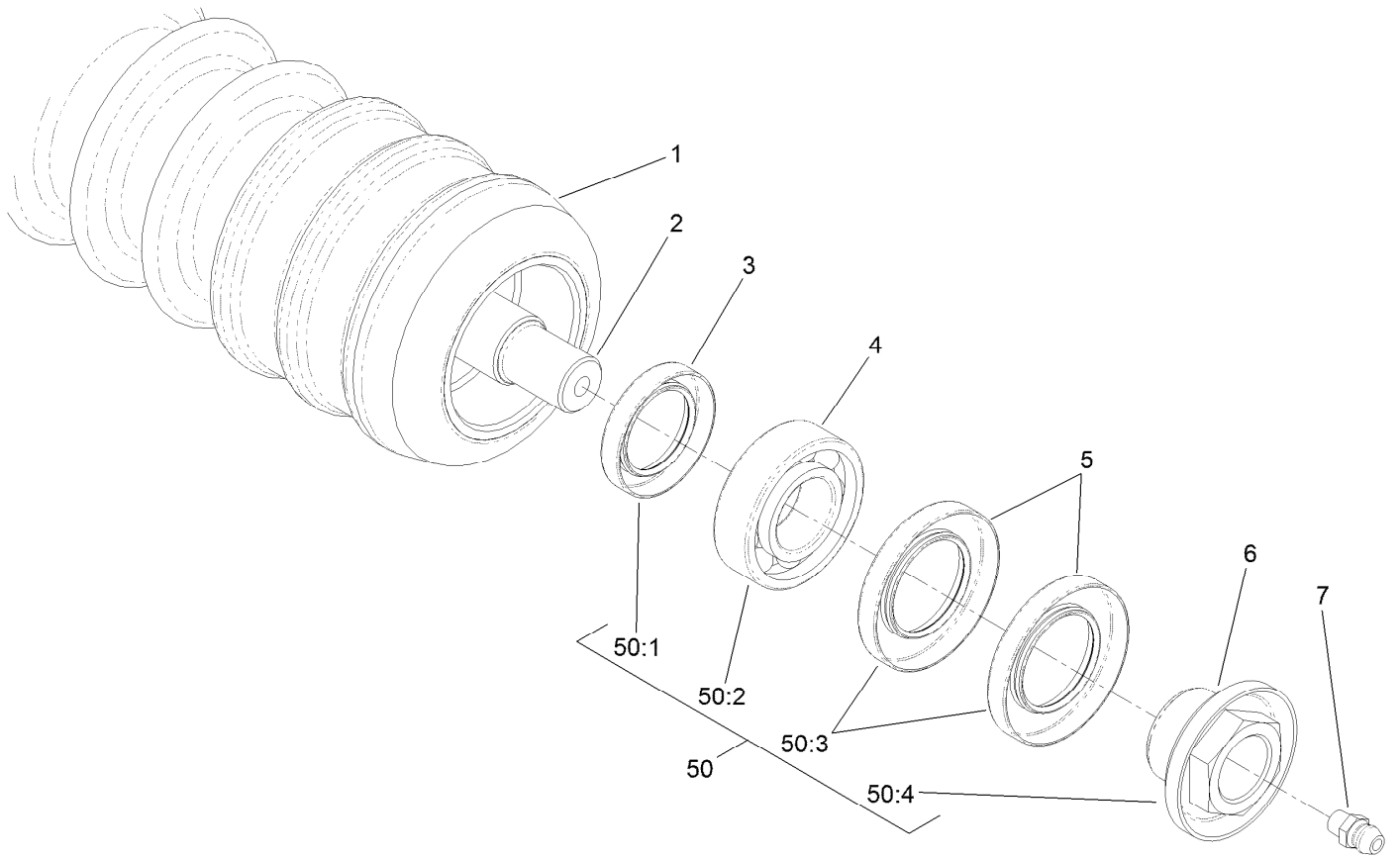
● Optional Equipment



Optional Front-Full Roller Assembly No. 112-1732

<i>Ref.</i>	<i>Part Number</i>	<i>Qty.</i>	<i>Description</i>
1	115-8296-0P	1	Tube-Roller (Short)
2	112-1707	1	Shaft-Roller, Wiehle
3	114-3717	2	Seal-Oil
4	112-5290	2	Bearing-Steel, Stainless
5	112-7494	2	Seal
6	114-5411	2	Nut-Lock, Bearing
6	114-3745	2	Nut-Lock, Bearing
7	302-5	2	Fitting-Grease
50	114-5430	1	Roller Rebuild Kit ●
50:1	114-3717	2	Seal-Oil
50:2	112-5290	2	Bearing-Steel, Stainless
50:3	112-7494	4	Seal
50:4	114-3745	2	Nut-Lock, Bearing

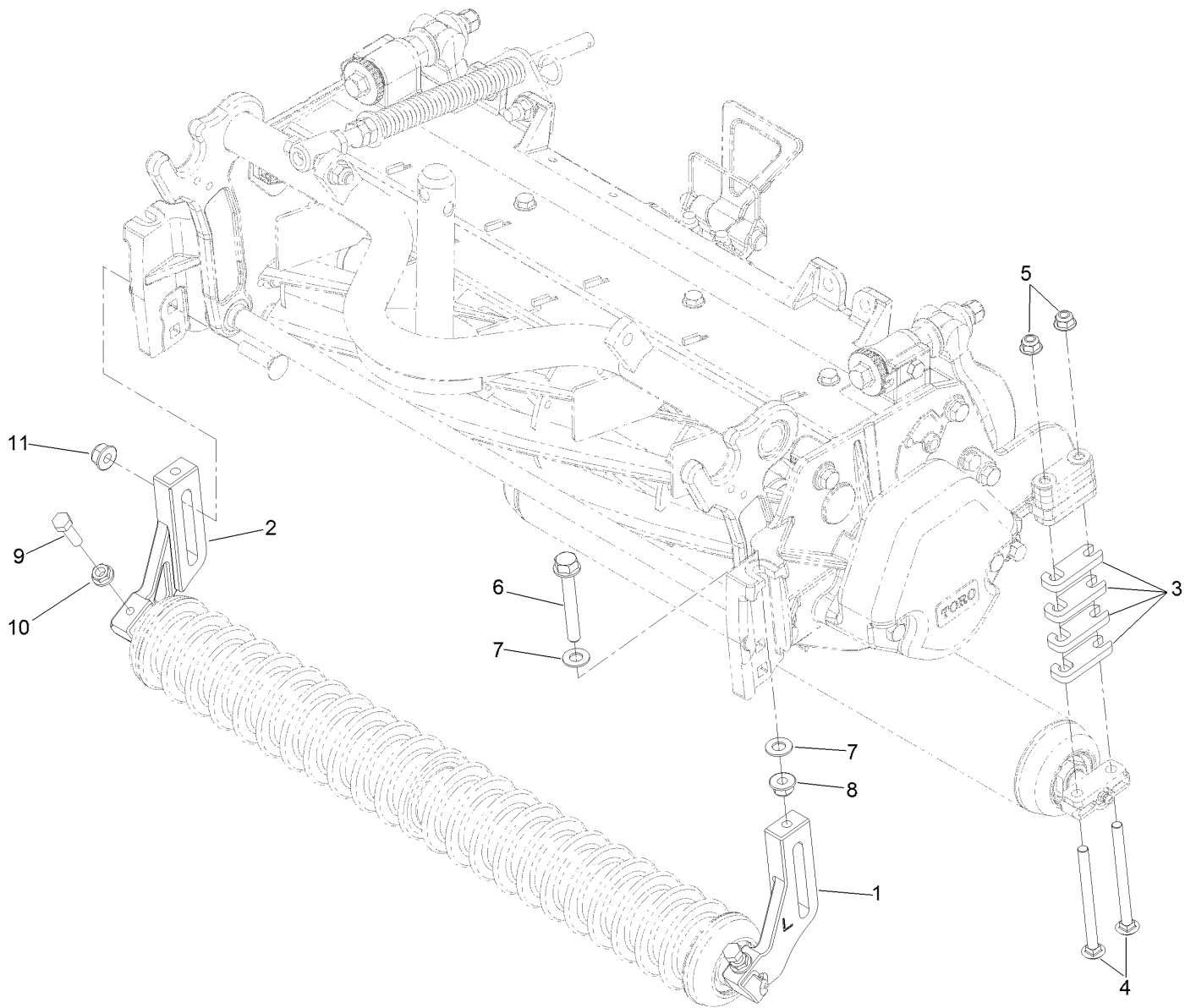
● Optional Equipment



Optional Plastic Shoulder Roller Assembly No. 112-1733

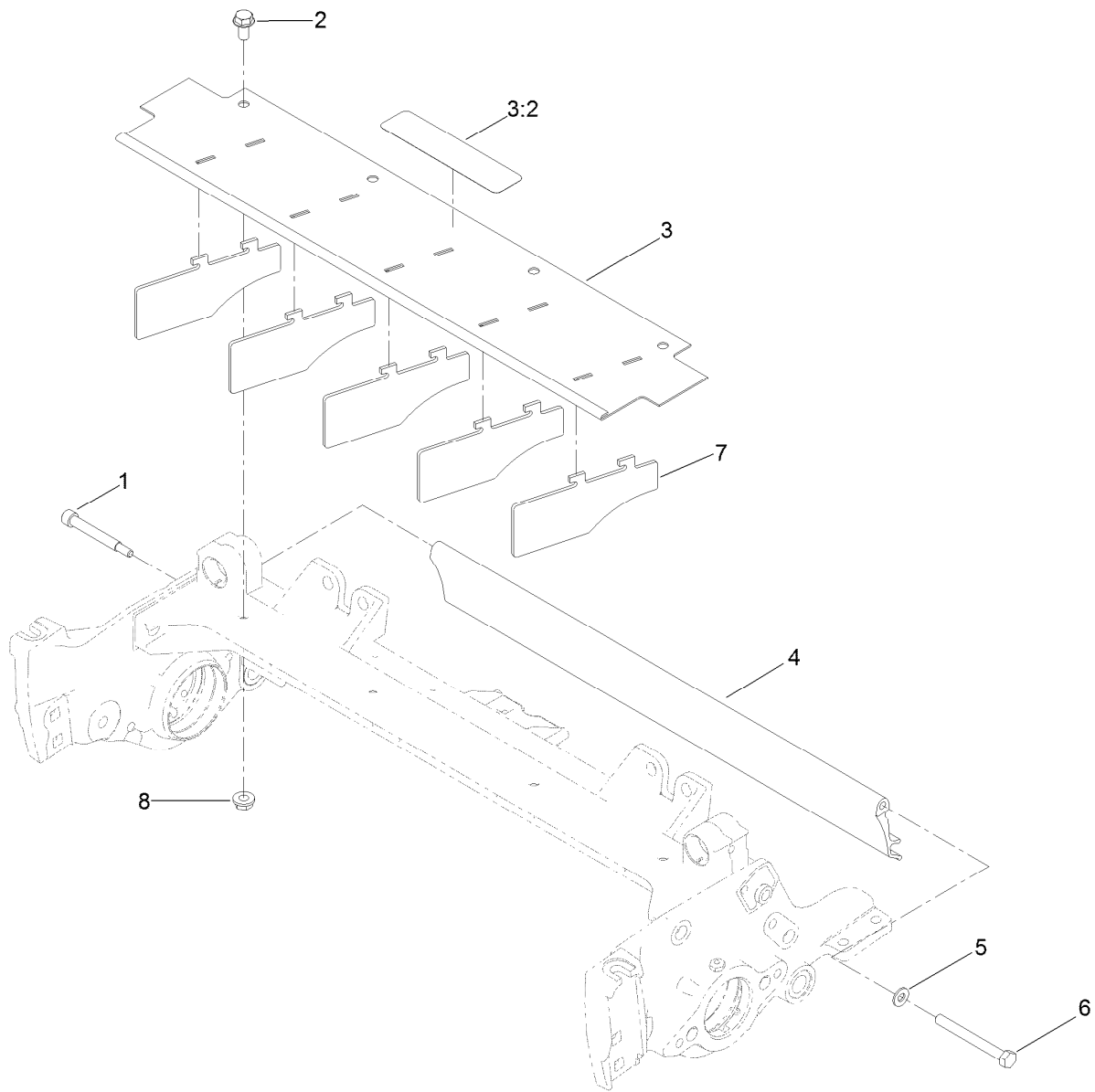
<i>Ref.</i>	<i>Part Number</i>	<i>Qty.</i>	<i>Description</i>
1	112-1734	1	Roller-Shoulder, Plastic
2	112-1707	1	Shaft-Roller, Wiehle
3	114-3717	2	Seal-Oil
4	112-5290	2	Bearing-Steel, Stainless
5	112-7494	4	Seal
6	114-5411	2	Nut-Lock, Bearing
7	302-5	2	Fitting-Grease
50	114-5430	2	Roller Rebuild Kit ●
50:1	114-3717	2	Seal-Oil
50:2	112-5290	2	Bearing-Steel, Stainless
50:3	112-7494	4	Seal
50:4	114-3745	2	Nut-Lock, Bearing

● Optional Equipment



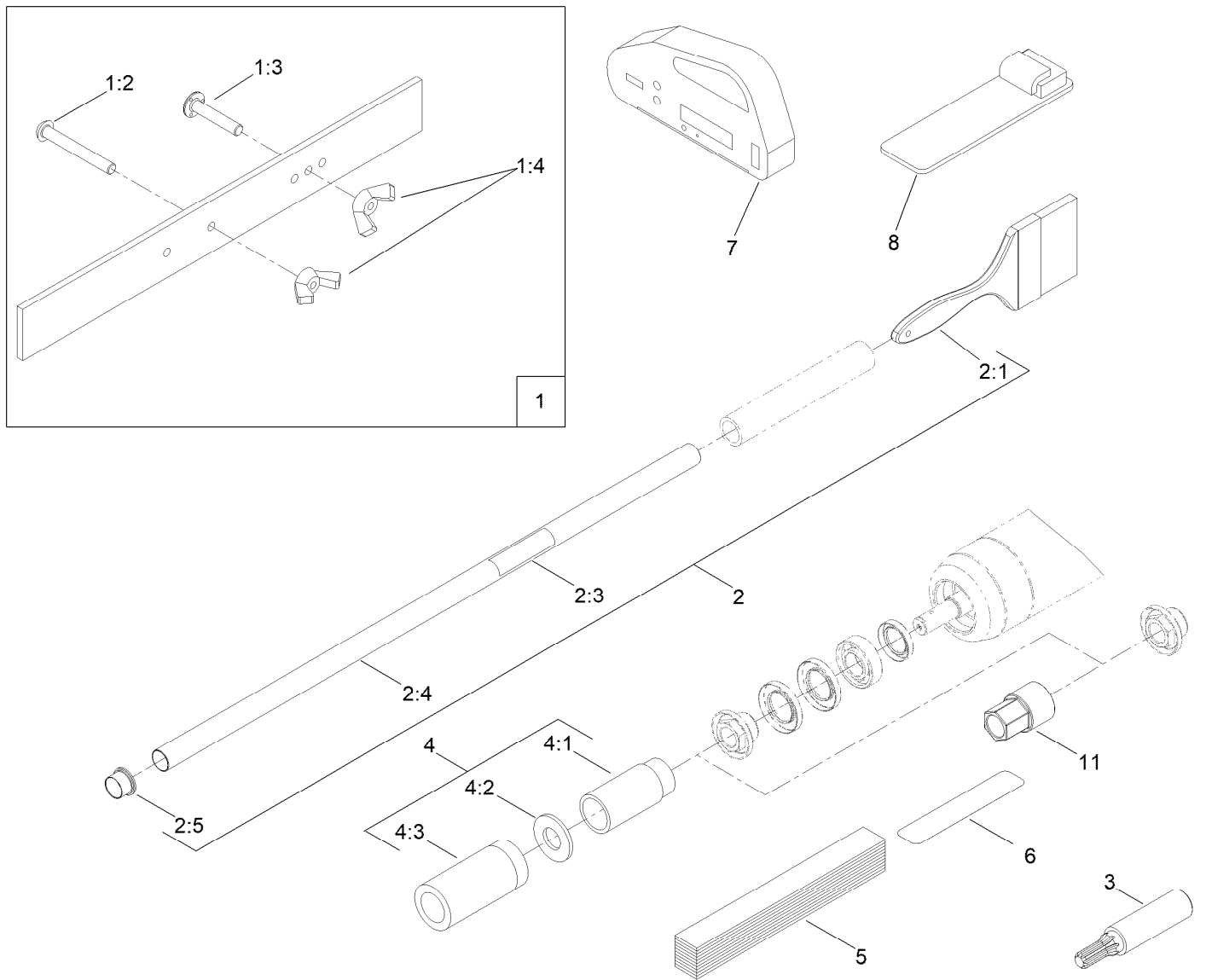
Optional High Height-of-Cut Assembly No. 137-0890

<i>Ref.</i>	<i>Part Number</i>	<i>Qty.</i>	<i>Description</i>
1	120-0404	1	Bracket-High HOC (LH)
2	120-0405	1	Bracket-High HOC (RH)
3	119-0626	8	Shim-Roller
4	106-9758	4	Screw-CARR
4	3230-30	4	Screw-CARR
5	104-8300	4	Nut-HF, NI
6	133-7572	2	Screw-HOC
7	48-9220	4	Washer-Flat
8	104-8301	4	Nut-HF, NI
9	322-16	2	Screw-HH
10	32128-20	2	Nut-HF
11	133-7570	2	Nut-Flange, NI



Shield Assembly

<i>Ref.</i>	<i>Part Number</i>	<i>Qty.</i>	<i>Description</i>
1	107-7773	1	Screw-HSH
2	3234-7	3	Screw-HHF
3	112-1738	1	Front Grass Shield ASM
3:2	137-9706	1	Decal-Warning
4	125-2099	1	Shield-Grass, Rear
5	3256-74	1	Washer-Flat
6	322-14	1	Screw-HH
7	110-1706	4	Deflector
8	32128-20	3	Nut-HF



Optional Tool Assembly

Ref.	Part Number	Qty.	Description
1	108-6715	1	Gauge Bar ASM
1:2	32122-54	1	Screw-Head, Truss
1:3	108-6714	1	Stud-Weld
1:4	32103-3	2	Nut-Wing
2	29-9100	1	Brush And Handle ASM
2:1	36-4310	1	Brush
2:3	98-3206	1	Decal
2:4	29-9080	1	Handle
2:5	2410-18	1	Cap-Plastic
3	TOR4074	1	Adapter-Drive, Reel ■
4	115-0803	1	Rm/Gm Roller Rebuild Tool Kit

Ref.	Part Number	Qty.	Description
4:1	115-0852	1	Tool-Inner Seal
4:2	107-8133	1	Washer-Flat
4:3	115-0853	1	Tool-Bearing/Outer Seal
5	125-5610	1	Paper-Reel, Toro (10 Pack)
6	140-5531	1	Shim-Toro Reel (.002In)
7	131-6828	1	Indicator-Angle
8	131-6829	1	Mount-Indicator, Angle
9	137-0924	1	Tool-Hand TAP 7/8-16 (Rm DPA Reel) ●
10	137-0925	1	Tool-Hand TAP 7/8-16, LH (Rm DPA Reel) ●
11	147-1132	1	Tool-Drive, Roller Nut

● Not illustrated

■ Obtain directly from K-Line Industries, Inc. (<https://klineind.com>)

Attachments and Accessories

For 03486 18-inch 11-Blade EdgeSeries DPA Cutting Unit Reelmaster 3550 or 3555 Traction Unit

Product Name	Model/Part
Weight Kit (For Universal Groomer Only and Hydraulic Reel Motors).....	03417
Weight Kit for 8-Blade or 11-Blade DPA Cutting Unit with 5 Inch Reel.....	03484
Rear Roller Brush Kit (For Universal Groomer) (18In).....	03657
5 Inch Universal/bi-directional Groomer.....	03763
Grooming Brush (18In).....	03766
Universal Groomer Cartridge, Reelmaster 3550 Series 18-inch Edge Series Cutting Units with Universal Groomer.....	03771
Rear Roller Brush (only) Kit.....	03916
Rear Roller Brush (3-18 Inch, 2-22 Inch) Kit.....	03918
Flexible Grass Basket Kit.....	03923
Extended Flexible Grass Basket Kit.....	03924
3in Dia Collar Kit.....	104-8215
Gauge Bar Assembly.....	108-6715
Long Rear Roller Asm.....	112-1728
Full Front Roller Asm.....	112-1732
Plastic Shoulder Roller Asm.....	112-1733
Roller Rebuild Kit.....	114-5430
Roller Rebuild Tool Kit.....	115-0803
Cutting Unit Kickstand.....	119-8010-03
Heavy-Duty DPA MVP Kit.....	120-7230
18 Inch Rear Roller Scraper Kit.....	120-9986
Bedknife-STD.....	121-3166
Bedknife-Low Cut.....	121-3167
Wiehle Roller Scraper (18 Inch).....	121-3182-03
Brush-Roller (High HOC) (18 Inch).....	121-3199
Scraper-Shoulder Roller (18 Inch).....	121-6970-03
Comb/Scraper Kit.....	121-6995
Scraper-Front Full Roller (18 Inch).....	121-6996-03
Rear Roller Adjustment Kit.....	125-0570
Toro Reel Paper (10 Pack).....	125-5610
Toro Reel Shim (0.002in).....	125-5611
Bedbar-Agressive, 18in.....	131-3222-0P
Groomer/RRB Seal Kit.....	131-3233
Groomer Rod Kit (18 Inch).....	131-6823
Angle Indicator.....	131-6828
Angle Indicator Mount.....	131-6829
Broomer Kit (18In).....	132-7115
Universal Groomer Drive MVP Kit.....	133-0150
Rear Roller Brush (Universal) MVP Kit.....	133-0152
Rear Roller Brush MVP Kit.....	133-0155
Bedknife-EDGEMAX Lowcut (18 inch).....	137-0830
Bedknife-EDGEMAX.....	137-0831
Brush-roller, Rear (hd).....	137-0843
High Height-of-Cut Kit, Reelmaster 3000 or 5000 Series DPA Cutting Unit.....	137-0890
Groomer Rod Kit (18 Inch Full Front Roller).....	137-0900

Attachments and Accessories (continued)

5in EdgeSeries+ 18in Fairway, 11 Blade, Low Drag, Froward Swept Reel 137-8407
Reel Drive Adapter (Obtain directly from K-Line Industries, Inc. (800) 241-0936) TOR4112

Notes:

Notes:

Notes:



Count on it.