



Count on it.

Parts Catalog

**26in 8-Blade Cutting Unit
Greensmaster® 1026 Mower**

Model No. 04842—Serial No. 410300000 and Up



Ordering Replacement Parts

To order replacement parts, please supply the part number, the quantity, and the description of each part desired.

Understanding Reference Numbers

Each identified part in an illustration has a reference number. The reference number for a part also appears in the parts list, along with other information about the part.

This catalog uses two special reference number formats, one to indicate parts in a service assembly and another to indicate the quantity of a given part in an illustration.

Service Assembly Reference Numbers

Parts in service assemblies have reference numbers in the form a:b. The a represents the reference number of the entire service assembly and the b represents a sequential number unique to each part within the service assembly.

For example, a wheel assembly might be identified by reference number 6, the tire by 6:1, the valve by 6:2, and the wheel by 6:3. When you order the assembly identified by reference number 6, you receive all parts identified by reference numbers 6:1, 6:2, and 6:3. However, you may also order any part individually. Reference numbers of this type appear in illustration and in parts lists.

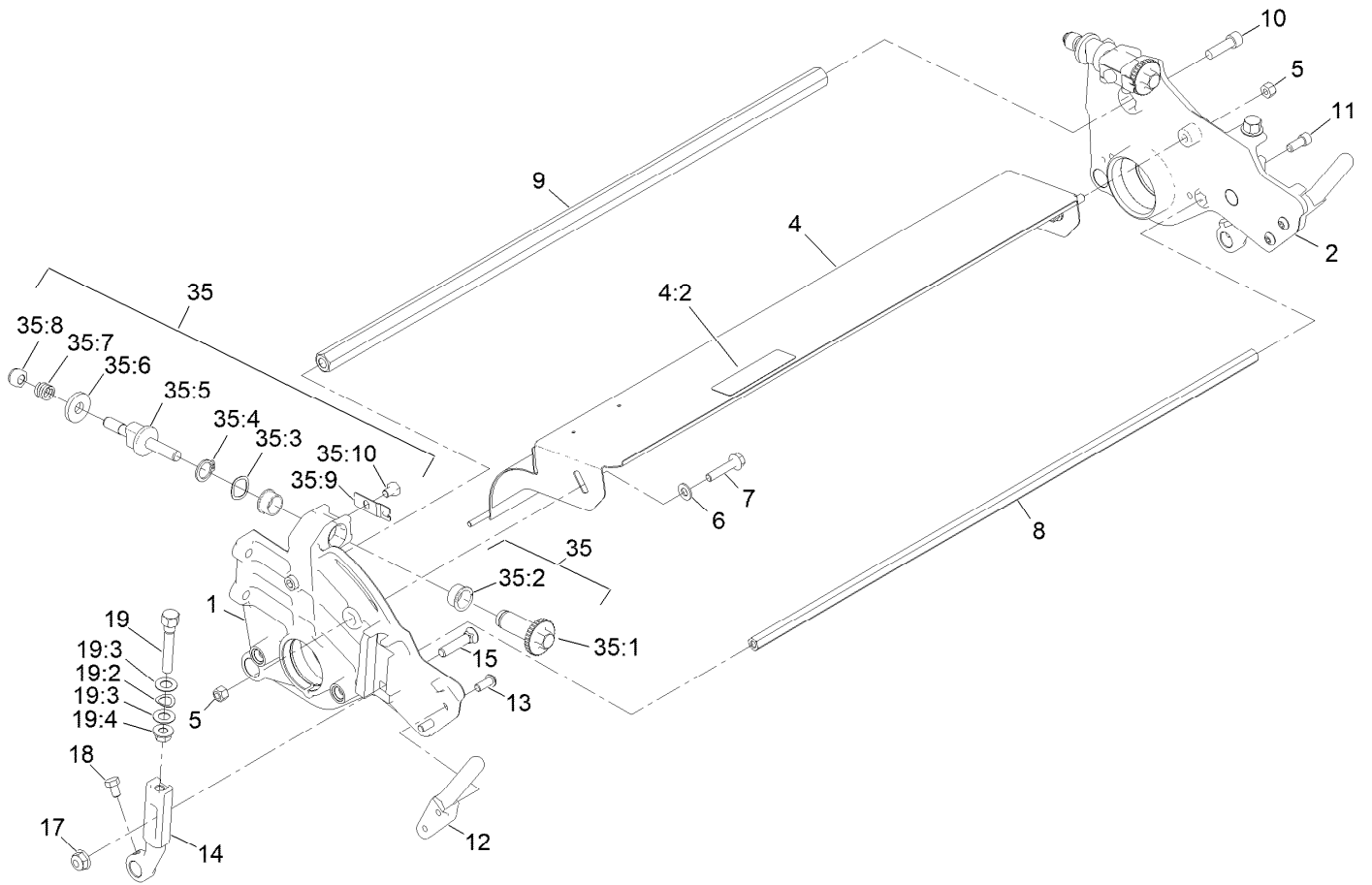
Reference Numbers Indicating Quantity

In an illustration, if a reference number indicates more than one part, the reference number has the form nX y. The n represents the quantity of the part, the X is the multiplication symbol, and the y represents the reference number.

For example, in an illustration, the reference number 2X 37 means that two of the parts identified by reference number 37 are indicated.

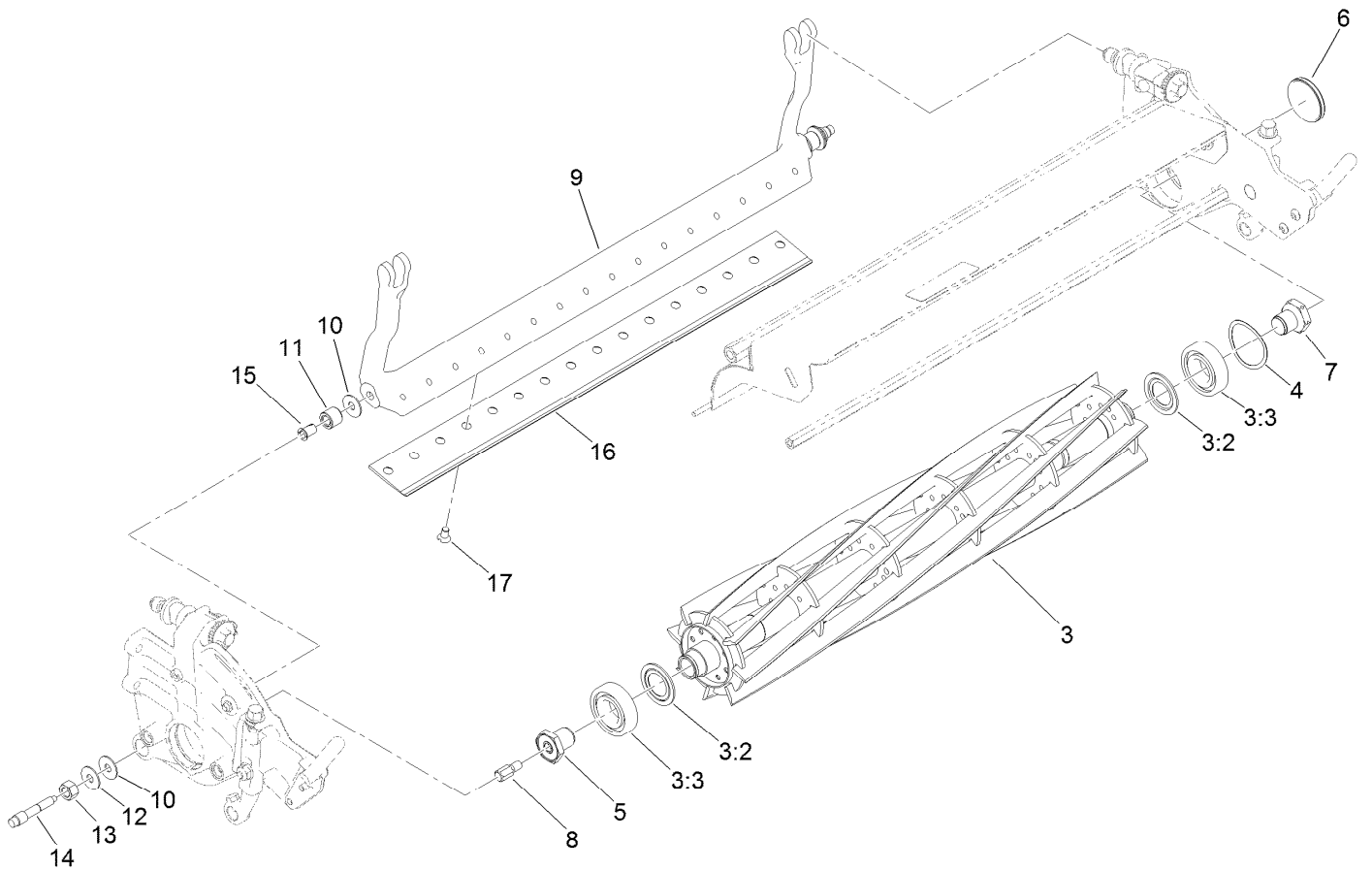
Contents

Side Plate and Grass Shield Assembly..... 4
Reel and Bedknife Assembly 5
Reel Drive Box and Weight Assembly..... 6
Reel Drive Assembly No. 138-1611 7



Side Plate and Grass Shield Assembly

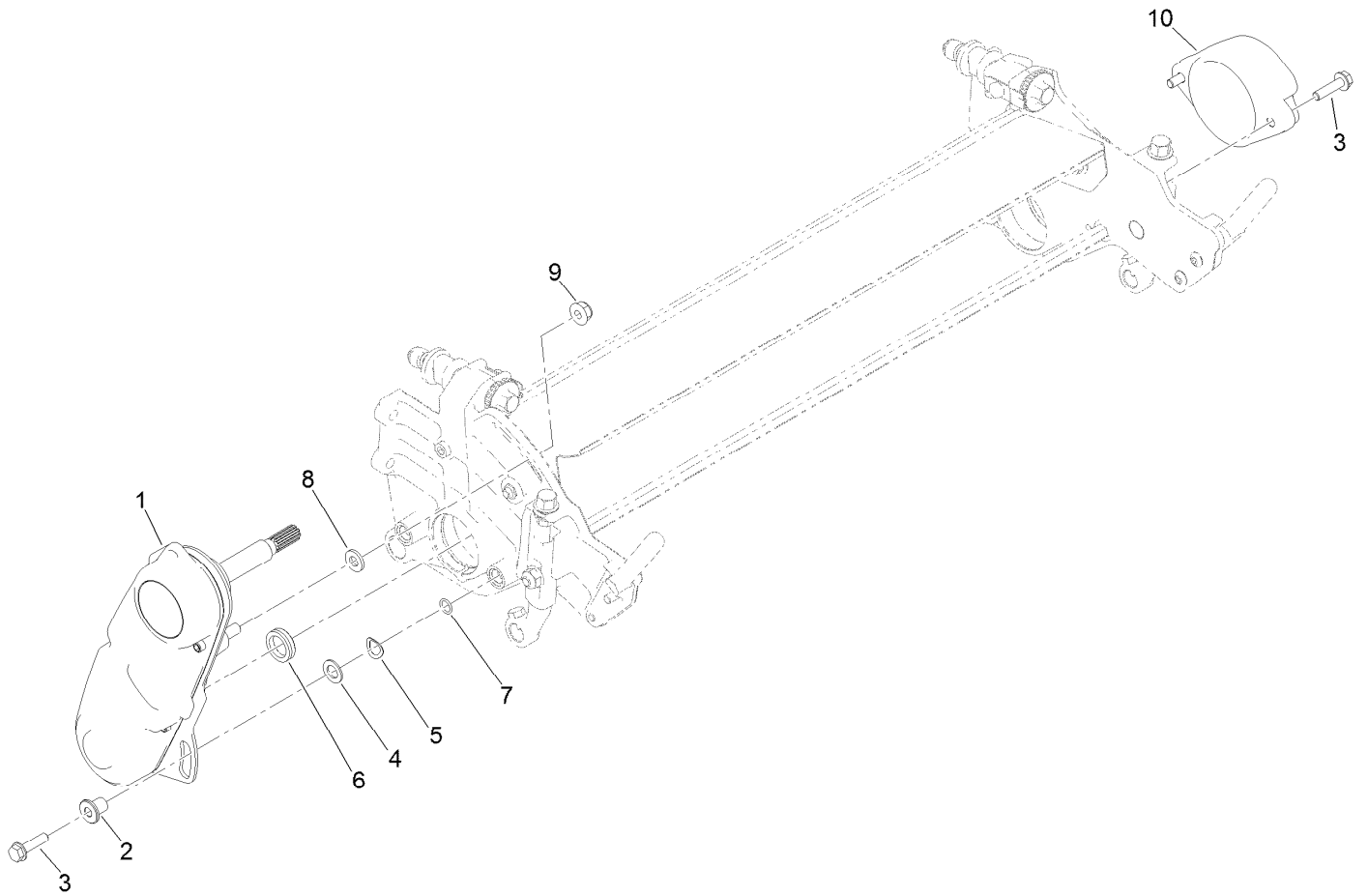
Ref.	Part Number	Qty.	Description	Ref.	Part Number	Qty.	Description
1	138-5757	1	Plate-Side, RH	18	322-1	2	Screw-HH
2	138-5759	1	Plate-Side, LH	19	138-1530	2	HOC Screw ASM
4	139-4378	1	Grass Shield ASM	19:2	138-1642	1	Washer-Spring
4:2	137-9706	1	Decal-Warning	19:3	138-1538	2	Washer-Special
5	3296-29	2	Nut-Lock, NI	19:4	127-6852	1	Nut-Flange, Lock
6	3256-23	2	Washer-Plain	35	121-2637	1	DPA Rebuild Kit
7	115-1794	2	Screw-HHF	35:1	106-5363	2	Shaft-Adjuster
8	138-1552	1	Rod-Frame	35:2	106-5344	4	Bushing-Flange, Keyed
9	138-1551	1	Rod-Frame	35:3	119-4164	2	Washer-Wave
10	3274-1	2	Screw-HSH	35:4	32120-93	2	Ring-Retaining
11	100-2401	2	Screw-HSH	35:5	137-6130	2	Screw-Adjuster, Bedbar
12	65-8570	2	Rod-Mounting	35:6	119-4155	2	Washer-Hardened
13	3274-55	4	Screw-HSBH	35:7	119-4156	2	Spring-Compression
14	137-0327	2	Arm-HOC	35:8	119-4039	2	Nut-Hex
15	99-3773	2	Bolt-Plow	35:9	99-2097	2	Detent
17	133-7570	2	Nut-Flange, NI	35:10	119-4067	2	Screw-HH



Reel and Bedknife Assembly

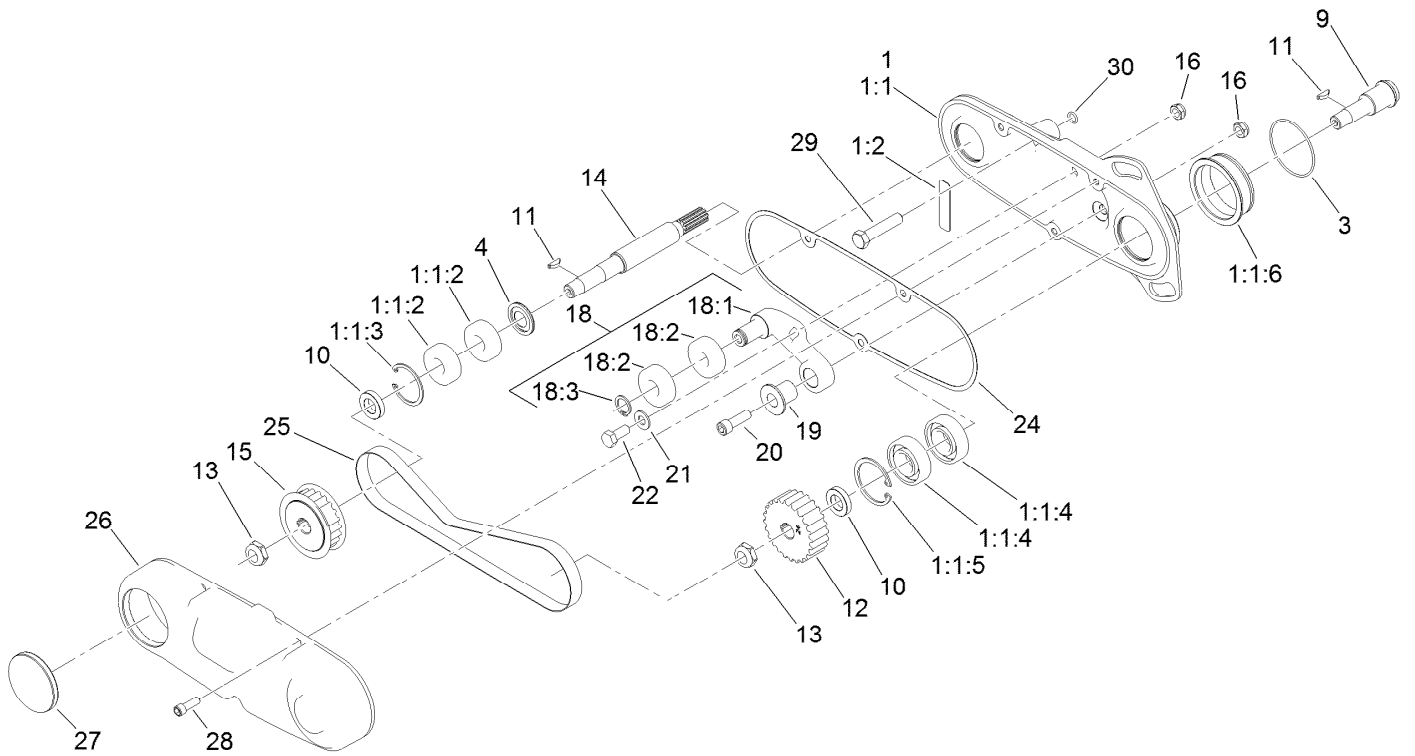
<i>Ref.</i>	<i>Part Number</i>	<i>Qty.</i>	<i>Description</i>	<i>Ref.</i>	<i>Part Number</i>	<i>Qty.</i>	<i>Description</i>
3	138-5753	1	8 Bld LD ES Reel+ ASM (26)	15	52-2890	2	Bushing-Nylon
3:2	115-3299	2	Seal-Flocked	16	104-2646	1	Bedknife-Highcut ●
3:3	140-5510	2	Bearing-Sealed, Stainless	16	107-8181	1	Bedknife-Fairway ●
4	115-5258	1	Spring-Wire, Flat	16	112-9275	1	Bedknife-Microcut ●
5	133-9168	1	Nut-Drive, Reel	16	117-1548	1	Bedknife-Edgemax Tournament
6	137-0325	1	Plug-Expansion	16	139-4322	1	Bedknife-Edgemax, Microcut Short ●
7	137-0326	1	Screw-Lock, Bearing	16	139-4323	1	Bedknife-Edgemax, Tournament Short ●
8	140-9256	1	Spline-Drive, 8 Tooth	16	139-4324	1	Bedknife-Edgemax, 26" Microcut ●
9	138-1522-01	1	Bedbar	16	93-9015	1	Bedknife-Lowcut ●
10	52-2900	4	Washer-Plastic	16	94-5885	1	Bedknife-Tournament ●
11	119-4153	2	Rubber Bushing ASM	17	119-4151	16	Screw-Bedknife
12	119-4150	2	Washer-Flat				
13	140-9234	2	Nut-Hex Lock				
14	117-9493	2	Bolt-Bedbar				

● Optional Equipment



Reel Drive Box and Weight Assembly

<i>Ref.</i>	<i>Part Number</i>	<i>Qty.</i>	<i>Description</i>
1	138-1611	1	Reel Drive ASM
2	71-4411	2	Spacer
3	112-6913	4	Screw-HF
4	100-7336	2	Washer
5	138-1642	2	Washer-Spring
6	138-1549	1	Seal
7	360-0494	2	O-Ring
8	115-7293	1	Washer-Hardened
9	133-7570	1	Nut-Flange, NI
10	138-1633-03	1	Weight



Reel Drive Assembly No. 138-1611

Ref.	Part Number	Qty.	Description	Ref.	Part Number	Qty.	Description
1	139-4300	1	Reel Drive Housing ASM	16	3296-47	2	Nut-Lock,NI
1:1		1	Housing ASM ●	18		1	Idler ASM ●
1:1:2	115-6869	2	Bearing-Ball, Stainless	18:1	133-9152	1	Idler Arm
1:1:3	32151-34	1	Ring-Retaining	18:2	115-6869	2	Bearing-Ball, Stainless
1:1:4	117-6831	2	Bearing-Ball, Stainless	18:3	115-6755	1	Ring-Retaining
1:1:5	107-3512	1	Ring-Snap, Internal	19	131-1847	1	Bushing-Idler
1:1:6	132-4588	1	Sleeve-Pivot	20	3274-22	1	Screw-HSH
1:2	120-9570	1	Decal-Warning	21	3256-23	1	Washer-Plain
3	360-0398	1	O-Ring	22	322-3	1	Screw-HH
4	115-6923	1	Shield-Bearing, Flocked	24	132-4590	1	Gasket-Reel Drive
9	133-9154	1	Shaft-Reel, Driven	25	140-9348	1	Belt-Reel, 75T
10	133-9155	2	Spacer-Pulley, Reel	26	133-9161	1	Cover-Drive, Reel
11	937218	2	Key-Hipro	27	137-0325	1	Plug-Expansion
12	121-4724	1	Pulley-Reel, 24 Tooth	28	3274-8	3	Screw-HSH
13	3296-45	2	Nut-Hex	29	323-9	1	Screw-HH
14	138-1614	1	Shaft-Drive, Reel	30	237-21	1	O-Ring
15	121-4722	1	Pulley-Reel, 22 Tooth				

● Not serviced separately



Count on it.