



MODEL NO. 41026

OPERATOR'S
INSTRUCTIONS

HOSE REEL KIT

safety

Keep hands clear of the Chain/Sprocket drive system.

DO NOT direct spray at any persons or pets...even low pressure is very dangerous and can cause irreparable damage or even death!

DO NOT wear loose fitting clothing while operating or servicing the Hose Reel.

Be aware of other persons and machinery in the work area.

Check for loose, frayed and broken electrical wires BEFORE operating the Hose Reel.

If a leak occurs in the hose or Reel...
RELEASE the Supply Hose PRESSURE...
IMMEDIATELY!

operation



CAUTION! Be aware that the Reel Switch is an ON/OFF Switch and does NOT control the SPEED of the winding action. Push the Switch button intermittently when beginning to wind the Hose onto an empty Reel.

WHEN WINDING HOSE ONTO REEL:

■ Press and hold the Reel Switch while feeding the Hose onto the Spool. Feed The Hose slowly and as evenly across the Spool as possible.



CAUTION: If the Reel stops REWinding...RELEASE THE REEL SWITCH IMMEDIATELY! DO NOT pull or jerk on the Hose. Always find and correct the problem before continuing to rewind Hose.

WHEN UNWINDING THE HOSE:

■ Pull the Hose from the Reel by grasping the Hose itself...NOT the Hand Gun.



CAUTION: If the Reel stops UNwinding...DO NOT continue to pull (or jerk) on the Hose. Always find and correct the problem before continuing to unwind the Hose.

■ If the Spool is turning faster than desired, (causing Hose "backlash") adjust the "drag" by tightening the set screw on the hub casting as described in the Set-Up Instructions.

■ When Hose Reel is not in use, tighten the Lock Handle to prevent the Spool from rotating freely.

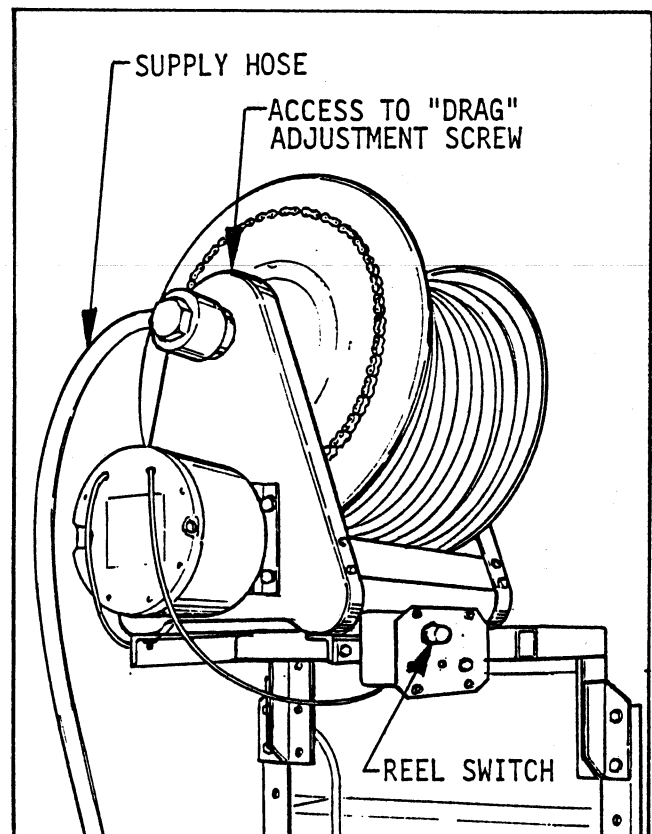


FIG. 1

service



CAUTION! Keep hands clear of the Chain/Sprocket drive system. Remove the battery wire from the Battery's POSITIVE (+) post, to remove all electrical power BEFORE attempting any repairs or adjustments.

CHAIN TENSION:

Adjust the Chain to allow between 1/4 and 1/2 inch of play. **CAUTION!** If the Chain is over-tightened, the motor life will be reduced.

- Loosen (do not remove) the bolts which hold the motor mounting bracket to the Reel.
- Move motor mounting bracket and motor until proper chain tension is achieved.
- Tighten all of the motor mounting bracket bolts securely.

CHAIN REPLACEMENT:

- Loosen (do not remove) the bolts which hold the motor mounting bracket to the Reel.
- Remove the Chain's master link and use it to install the new Chain.
- Adjust Chain for proper tension and tighten the motor mounting bracket bolts.

SWIVEL ASSEMBLY:

- Disengage the Spray Pump Control to remove pressure from the Supply Hose.
- Remove Supply Hose from the Swivel.
- Remove the Swivel Assembly from the Inlet Shaft.
- To replace the "O" rings, (4-each) disassemble the Swivel by removing the clip ring from the Swivel Shaft. See FIG. 3.
- Reassemble and install the Swivel Assembly on the Shaft.

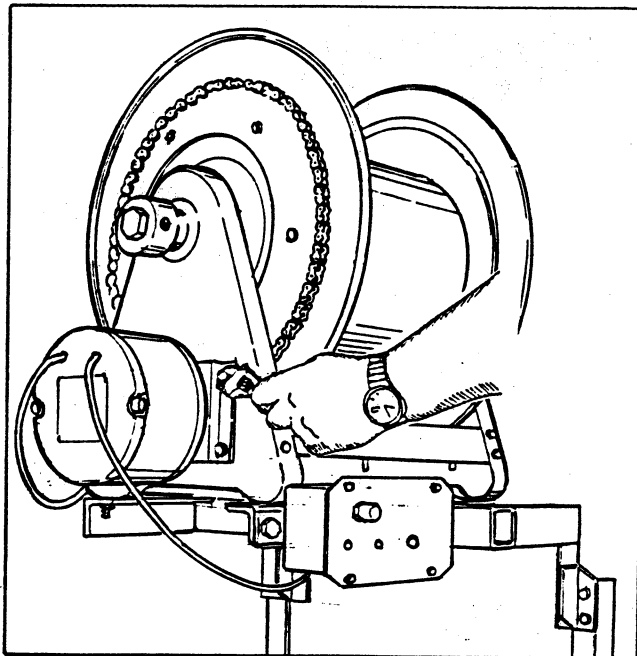


FIG. 2

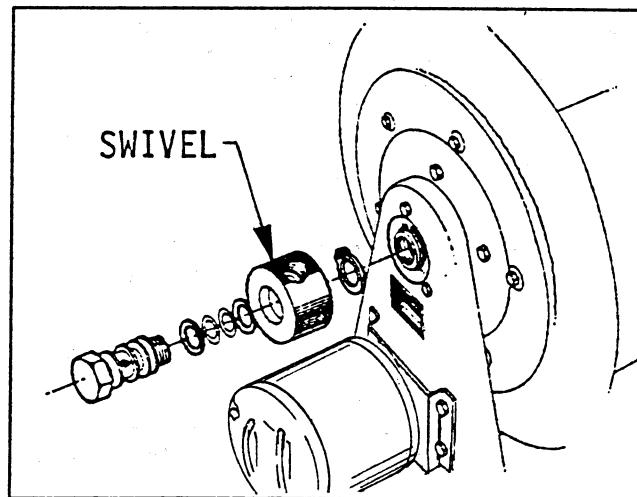


FIG. 3