



Count on it.

Parts Catalog

**18in 14-Blade Cutting Unit
Greensmaster® 1018 Mower**

Model No. 04824—Serial No. 40000000 and Up



Ordering Replacement Parts

To order replacement parts, please supply the part number, the quantity, and the description of each part desired.

Understanding Reference Numbers

Each identified part in an illustration has a reference number. The reference number for a part also appears in the parts list, along with other information about the part.

This catalog uses two special reference number formats, one to indicate parts in a service assembly and another to indicate the quantity of a given part in an illustration.

Service Assembly Reference Numbers

Parts in service assemblies have reference numbers in the form a:b. The a represents the reference number of the entire service assembly and the b represents a sequential number unique to each part within the service assembly.

For example, a wheel assembly might be identified by reference number 6, the tire by 6:1, the valve by 6:2, and the wheel by 6:3. When you order the assembly identified by reference number 6, you receive all parts identified by reference numbers 6:1, 6:2, and 6:3. However, you may also order any part individually. Reference numbers of this type appear in illustration and in parts lists.

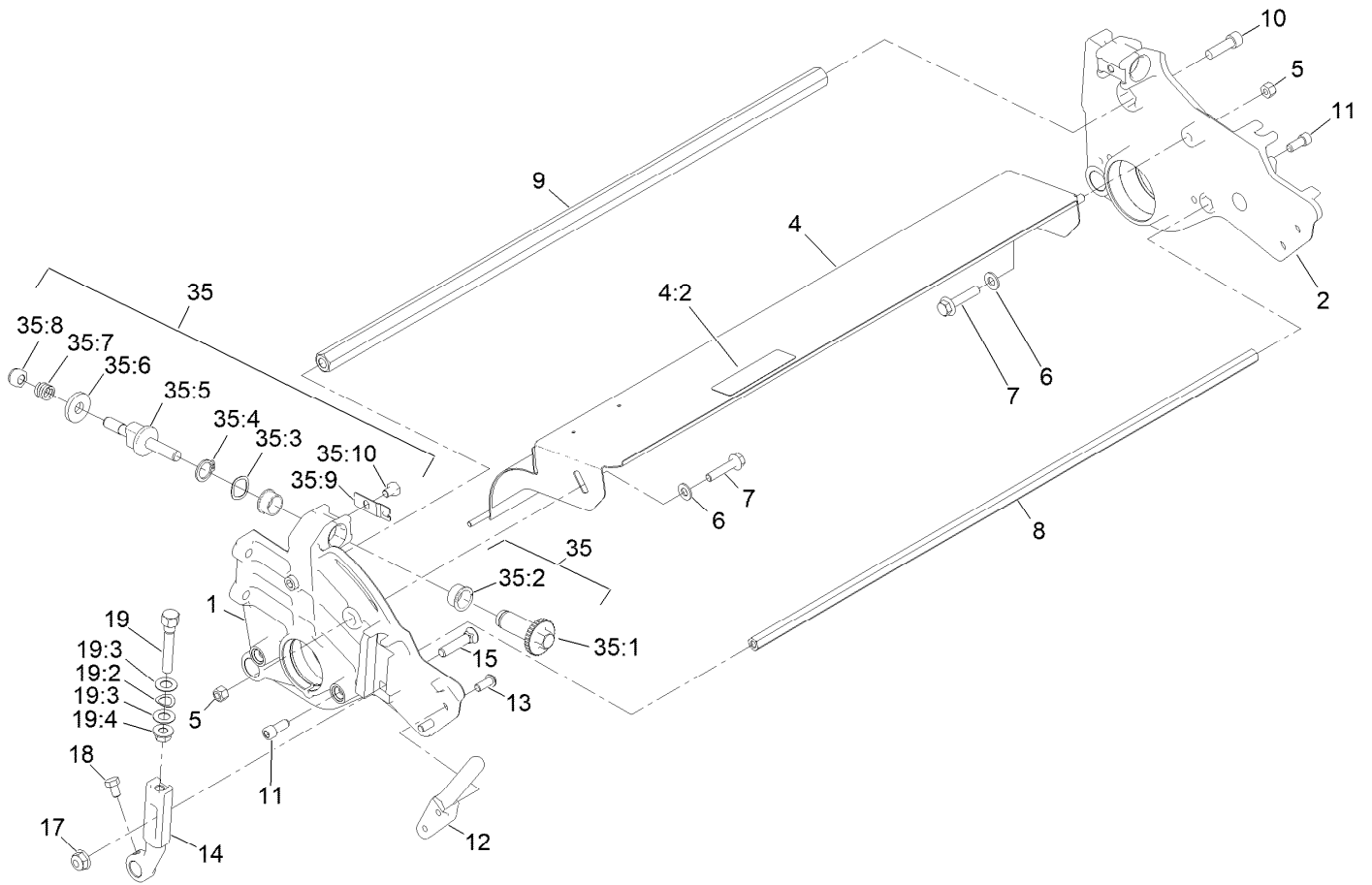
Reference Numbers Indicating Quantity

In an illustration, if a reference number indicates more than one part, the reference number has the form nX y. The n represents the quantity of the part, the X is the multiplication symbol, and the y represents the reference number.

For example, in an illustration, the reference number 2X 37 means that two of the parts identified by reference number 37 are indicated.

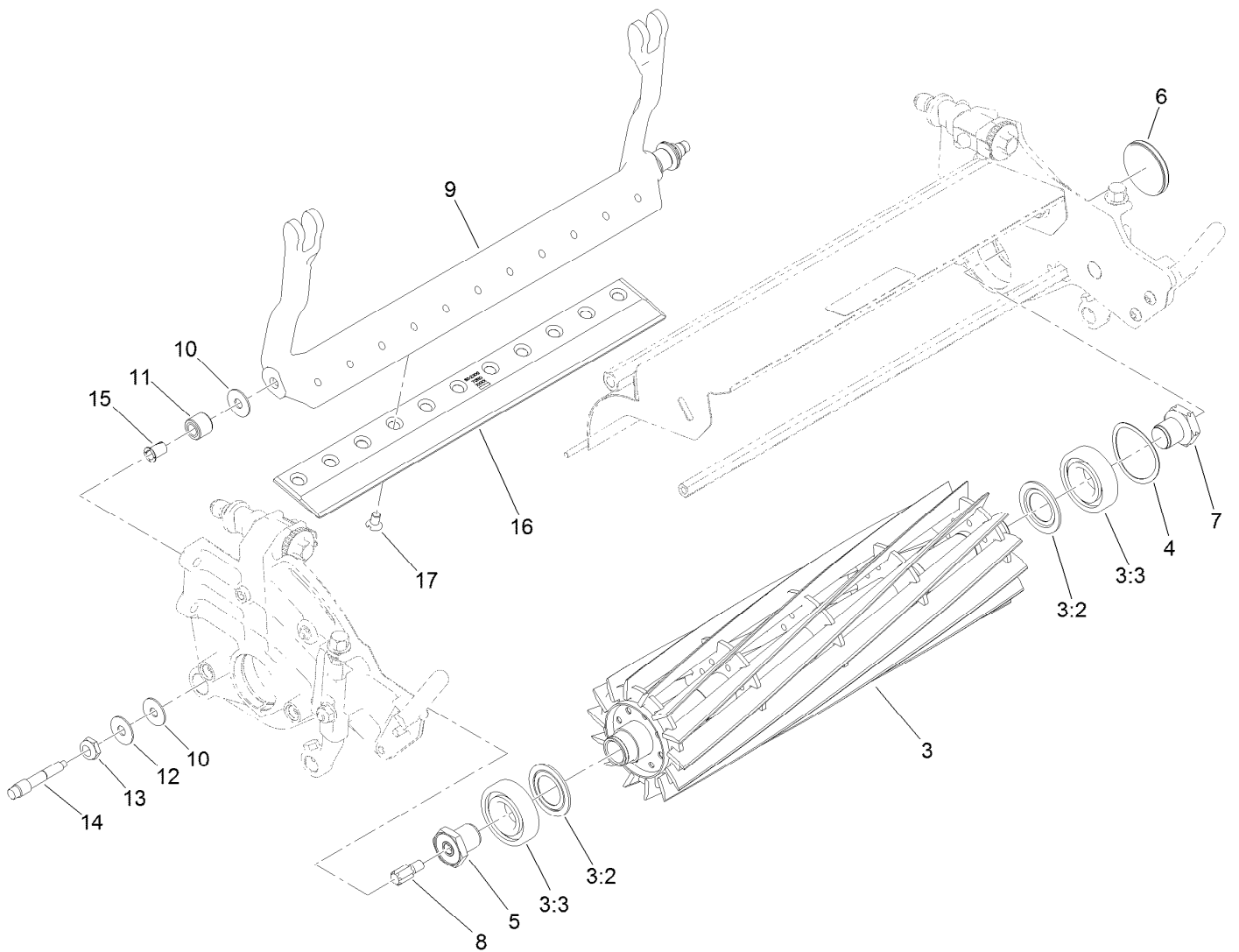
Contents

Side Plate and Grass Shield Assembly..... 4
Reel and Bedknife Assembly 5
Reel Drive Box and Weight Assembly..... 6
Reel Drive Box Assembly No. 138-1612 7



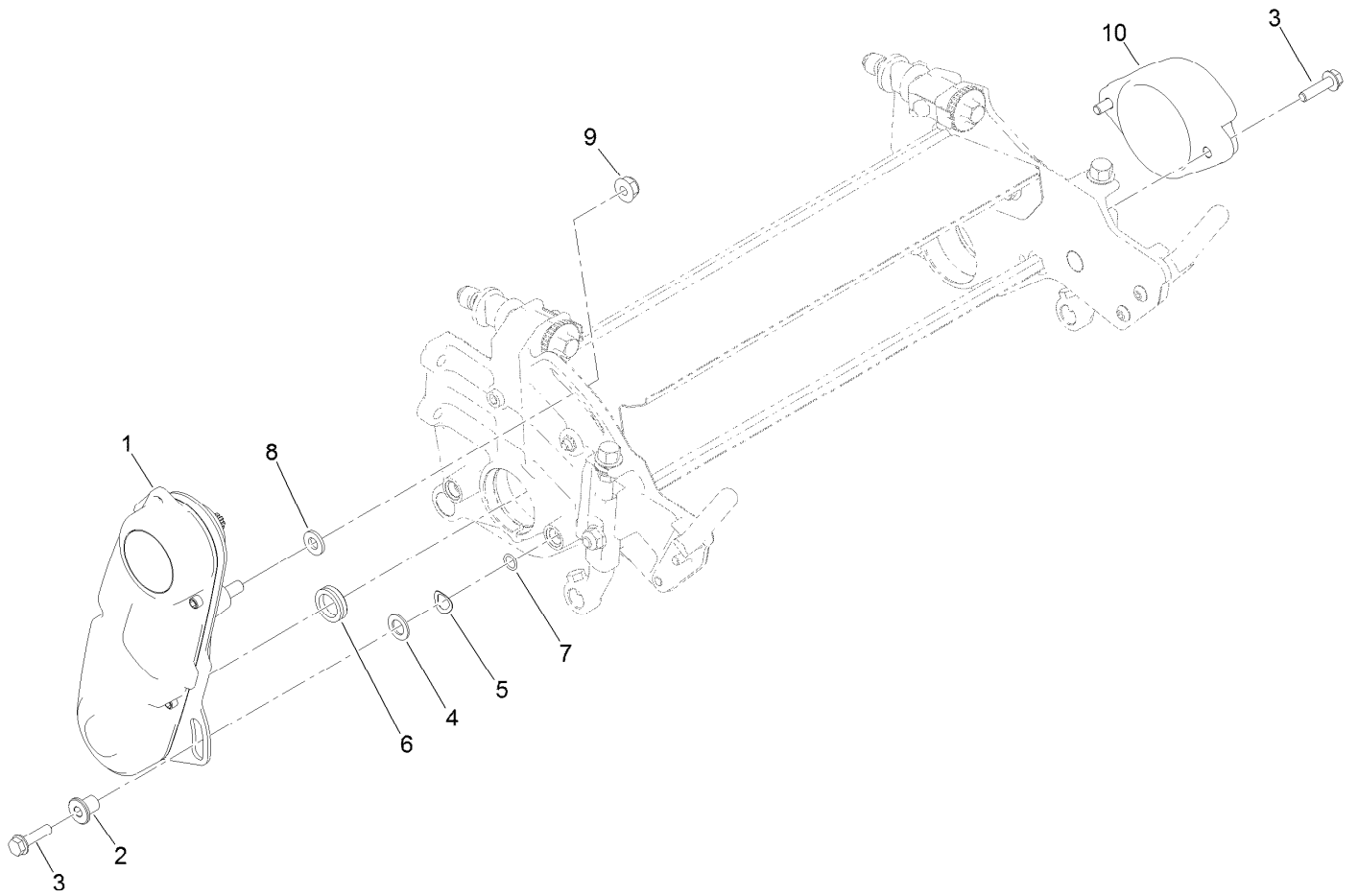
Side Plate and Grass Shield Assembly

Ref.	Part Number	Qty.	Description	Ref.	Part Number	Qty.	Description
1	138-5757	1	Plate-Side, RH	18	322-1	2	Screw-HH
2	138-5759	1	Plate-Side, LH	19	138-1530	2	HOC Screw ASM
4	139-4377	1	Grass Shield ASM	19:2	138-1642	1	Washer-Spring
4:2	137-9706	1	Decal-Warning	19:3	138-1538	2	Washer-Special
5	3296-29	2	Nut-Lock, NI	19:4	127-6852	1	Nut-Flange, Lock
6	3256-23	2	Washer-Plain	35	121-2637	1	DPA Rebuild Kit
7	115-1794	2	Screw-HHF	35:1	106-5363	2	Shaft-Adjuster
8	138-1542	1	Rod-Frame	35:2	106-5344	4	Bushing-Flange, Keyed
9	138-1541	1	Rod-Frame	35:3	119-4164	2	Washer-Wave
10	3274-1	2	Screw-HSH	35:4	32120-93	2	Ring-Retaining
11	100-2401	2	Screw-HSH	35:5	137-6130	2	Screw-Adjuster, Bedbar
12	65-8570	2	Rod-Mounting	35:6	119-4155	2	Washer-Hardened
13	3274-55	4	Screw-HSBH	35:7	119-4156	2	Spring-Compression
14	137-0327	2	Arm-HOC	35:8	119-4039	2	Nut-Hex
15	99-3773	2	Bolt-Plow	35:9	99-2097	2	Detent
17	133-7570	2	Nut-Flange, NI	35:10	119-4067	2	Screw-HH



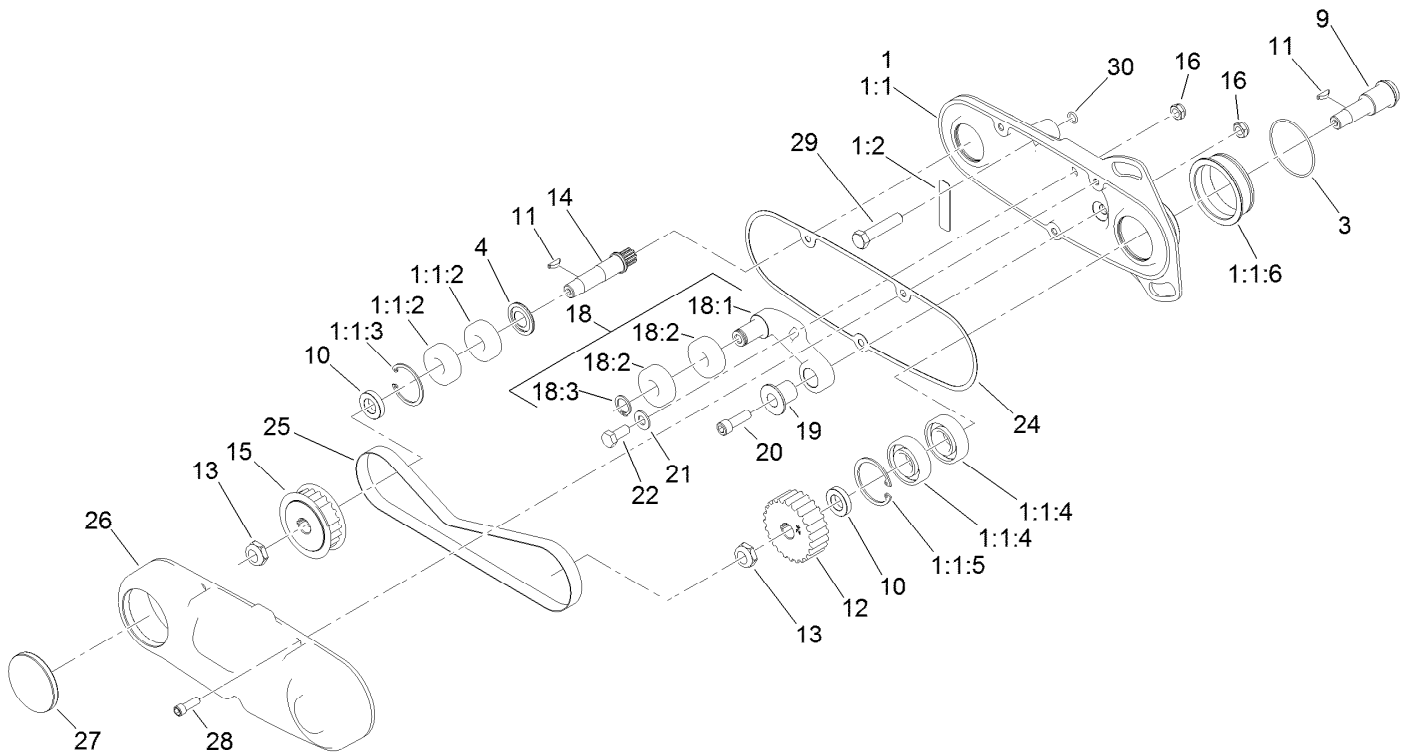
Reel and Bedknife Assembly

Ref.	Part Number	Qty.	Description	Ref.	Part Number	Qty.	Description
3	137-8523	1	18 Inch 14 Blade Edge Series+ Low Drag Reel ASM	15	52-2890	2	Bushing-Nylon
3:2	115-3299	2	Seal-Flocked	16	110-2300	1	Bedknife-Microcut, Extended
3:3	115-3296	2	Bearing-Sealed	16	110-2301	1	Bedknife-Low Cut
4	115-5258	1	Spring-Wire, Flat	16	117-1530	1	Bedknife-Edgemax, Microcut
5	133-9168	1	Nut-Drive, Reel	16	117-1532	1	Bedknife-Edgemax, Tournament
6	137-0325	1	Plug-Expansion	16	139-4318	1	Bedknife-Edgemax, Microcut Short
7	137-0326	1	Screw-Lock, Bearing	16	139-4319	1	Bedknife-Edgemax, Tournament Short
8	115-7164	1	Spline-Drive	16	98-7260	1	Bedknife-Tournament Cut
9	138-1520-01	1	Bedbar	16	98-7261	1	Bedknife-Microcut
10	52-2900	4	Washer-Plastic	17	119-4151	11	Screw-Bedknife
11	119-4153	2	Rubber Bushing ASM				
12	119-4150	2	Washer-Flat				
13	119-4154	2	Nut-Lock, NI				
14	117-9493	2	Bolt-Bedbar				



Reel Drive Box and Weight Assembly

<i>Ref.</i>	<i>Part Number</i>	<i>Qty.</i>	<i>Description</i>
1	138-1612	1	Reel Drive Box ASM
2	71-4411	2	Spacer
3	112-6913	4	Screw-HF
4	100-7336	2	Washer
5	138-1642	2	Washer-Spring
6	138-1549	1	Seal
7	360-0494	2	O-Ring
8	115-7293	1	Washer-Hardened
9	133-7570	1	Nut-Flange, NI
10	138-1633-03	1	Weight



Reel Drive Box Assembly No. 138-1612

Ref.	Part Number	Qty.	Description	Ref.	Part Number	Qty.	Description
1	139-4300	1	Reel Drive Housing ASM	16	3296-47	2	Nut-Lock,NI
1:1		1	Housing ASM ●	18		1	Idler ASM ●
1:1:2	115-6869	2	Bearing-Ball, Stainless	18:1	133-9152	1	Idler Arm
1:1:3	32151-34	1	Ring-Retaining	18:2	115-6869	2	Bearing-Ball, Stainless
1:1:4	117-6831	2	Bearing-Ball, Stainless	18:3	115-6755	1	Ring-Retaining
1:1:5	107-3512	1	Ring-Snap, Internal	19	131-1847	1	Bushing-Idler
1:1:6	132-4588	1	Sleeve-Pivot	20	3274-22	1	Screw-HSH
1:2	120-9570	1	Decal-Warning	21	3256-23	1	Washer-Plain
3	360-0398	1	O-Ring	22	322-3	1	Screw-HH
4	115-6923	1	Shield-Bearing, Flocked	24	132-4590	1	Gasket-Reel Drive
9	133-9154	1	Shaft-Reel, Driven	25	133-9124	1	Belt-Reel, 75T
10	133-9155	2	Spacer-Pulley, Reel	26	133-9161	1	Cover-Drive, Reel
11	937218	2	Key-Hipro	27	137-0325	1	Plug-Expansion
12	121-4724	1	Pulley-Reel, 24 Tooth	28	3274-8	3	Screw-HSH
13	3296-45	2	Nut-Hex	29	323-9	1	Screw-HH
14	138-1613	1	Shaft-Drive, Reel	30	237-21	1	O-Ring
15	121-4722	1	Pulley-Reel, 22 Tooth				

● Not serviced separately



Count on it.