



Count on it.

Parts Catalog

**Groundsmaster® 3310
All-Wheel Drive Traction Unit**

Model No. 31909A—Serial No. 40000000 and Up



Ordering Replacement Parts

To order replacement parts, please supply the part number, the quantity, and the description of each part desired.

Understanding Reference Numbers

Each identified part in an illustration has a reference number. The reference number for a part also appears in the parts list, along with other information about the part.

This catalog uses two special reference number formats, one to indicate parts in a service assembly and another to indicate the quantity of a given part in an illustration.

Service Assembly Reference Numbers

Parts in service assemblies have reference numbers in the form a:b. The a represents the reference number of the entire service assembly and the b represents a sequential number unique to each part within the service assembly.

For example, a wheel assembly might be identified by reference number 6, the tire by 6:1, the valve by 6:2, and the wheel by 6:3. When you order the assembly identified by reference number 6, you receive all parts identified by reference numbers 6:1, 6:2, and 6:3. However, you may also order any part individually. Reference numbers of this type appear in illustration and in parts lists.

Reference Numbers Indicating Quantity

In an illustration, if a reference number indicates more than one part, the reference number has the form nX y. The n represents the quantity of the part, the X is the multiplication symbol, and the y represents the reference number.

For example, in an illustration, the reference number 2X 37 means that two of the parts identified by reference number 37 are indicated.

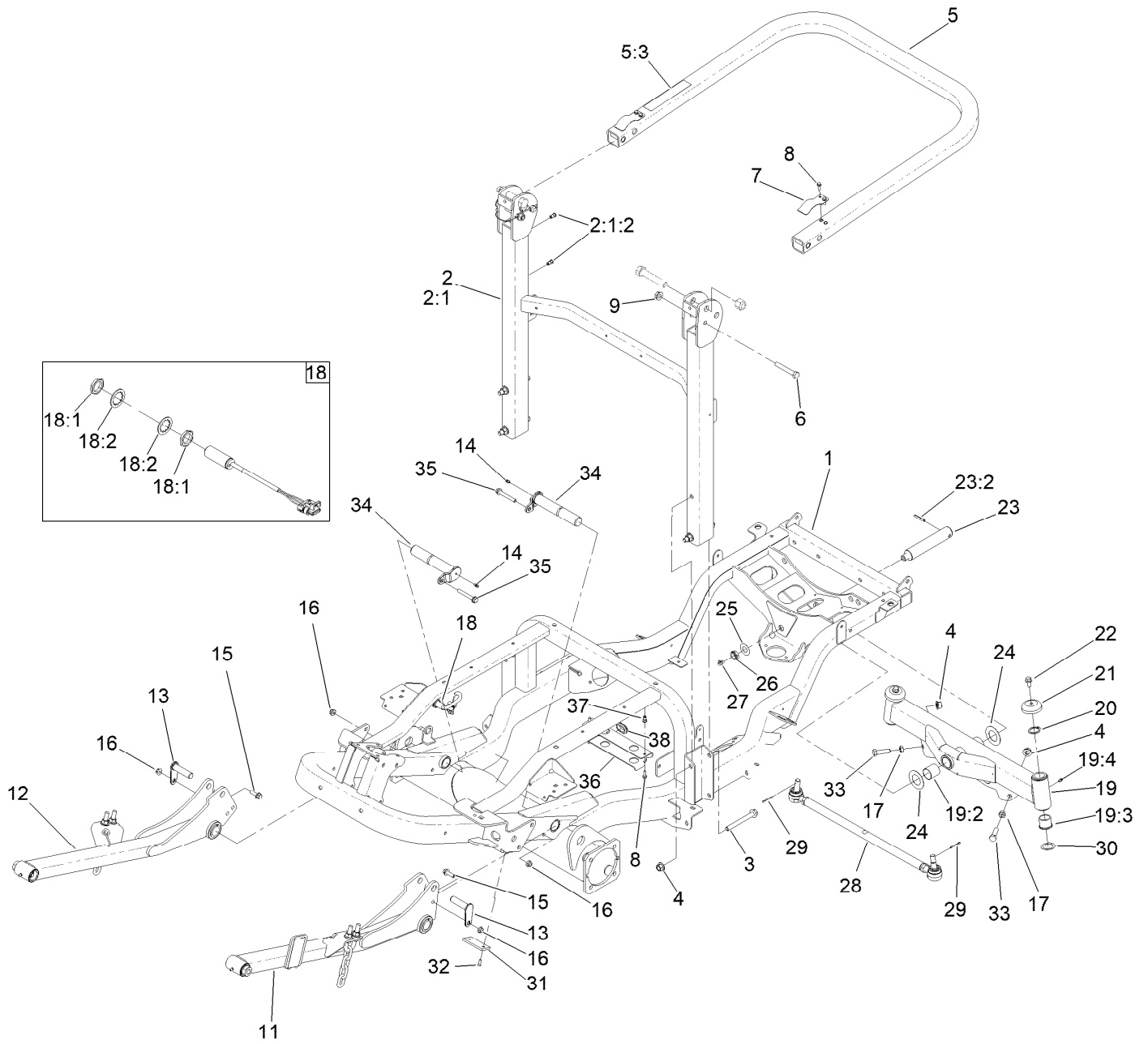
Contents

| | |
|--|----|
| Frame and Roll-Over Protection System Assembly | 6 |
| LH Lift Arm Assembly No. 144-3943 | 8 |
| RH Lift Arm Assembly No. 144-3942 | 10 |
| Tie Rod Assembly No. 144-3900 | 12 |
| Brake Assembly | 14 |
| Left Hand Brake Assembly No. 120-0235 | 16 |
| Right Hand Brake Assembly No. 120-0233 | 17 |
| Hydraulic Drive Assembly | 18 |
| Hydraulic Motor Assembly No. 137-2458 | 19 |
| Hydraulic Motor Assembly No. 137-2478 | 20 |
| Hydraulic Motor Assembly No. 137-2459 | 21 |
| Hydraulic Motor Assembly No. 137-2479 | 22 |
| Steering/Lift Manifold Assembly No. 145-6080 | 23 |
| Radiator and Cooler Assembly | 25 |
| Fuel System Assembly | 26 |
| Fuel Tank Assembly No. 138-0291 | 27 |
| Hydraulic Tank Assembly No. 138-4418 | 28 |
| Platform, Steering and Console Assembly | 29 |
| Steering Column Assembly No. 139-0857 | 30 |
| Pedal Assembly | 31 |
| Control Console Assembly | 32 |
| Hood Assembly | 33 |
| Pump, Driveshaft and Clutch Assembly | 34 |
| Pump Assembly No. 145-5940 | 35 |
| Driveshaft Assembly No. 144-0521SP | 36 |
| Hydraulic Assembly | 37 |
| Gear Pump Assembly No. 147-5115 | 40 |
| Hydraulic Cylinder No. 139-0854 | 41 |
| Steering Valve Assembly No. 114-8119 | 42 |
| Steering Cylinder Assembly No. 139-6277 | 43 |
| Hydraulic Traction Assembly | 44 |
| Electrical Assembly | 45 |
| Seat, Firewall and Step Mount Assembly | 46 |
| Air Ride Suspension Seat Assembly No. 161-0807 | 47 |
| Compressor and Belt Assembly | 48 |
| Bumper and Weight Assembly | 50 |
| Engine, Main Wire Harness and Fuel Assembly | 52 |
| Wire Harness Assembly No. 122-2518 | 53 |
| Engine Mount, Exhaust and Air Cleaner Assembly | 54 |
| Air Cleaner Assembly No. 136-4481 | 56 |
| Frame, Mount and Seals Assembly | 58 |
| Interior Foam and Carpet Assembly | 60 |
| Cab Mirrors Assembly | 62 |
| Decal Assembly | 64 |
| Door Assembly | 66 |
| LH Door Assembly | 68 |
| RH Door Assembly | 70 |
| Front and Rear Glass Assembly | 72 |
| Window Wiper System Assembly | 74 |
| Window Wiper Assembly | 76 |
| Window Wiper Hose Assembly | 78 |
| Heater Assembly | 80 |
| Heater Control Panel Assembly | 82 |
| Roof, Air Filter and Condenser Assembly | 84 |

Contents (continued)

| | |
|---|-----|
| Heat Hose Assembly | 86 |
| Electrical Component Assembly | 88 |
| Floor Sound Reduction Assembly | 90 |
| Cab Sound Reduction Assembly | 92 |
| Floormat Assembly | 94 |
| Fuse Assembly | 96 |
| Frame, Mount and Seals Assembly | 98 |
| Interior Foam Assembly | 99 |
| Cylinder Block Assembly | 100 |
| Gear Housing Assembly | 102 |
| Mounting Flange and Oil Sump Assembly | 104 |
| Cylinder Head Assembly | 106 |
| Suction Manifold Assembly | 108 |
| Exhaust Manifold Assembly | 110 |
| Camshaft Assembly | 112 |
| Crankshaft Assembly | 114 |
| Oil Pump and Filter Assembly | 116 |
| Water Pump and Fan Assembly | 118 |
| Fuel Injection Pump Assembly | 120 |
| Governor Assembly | 122 |
| Fuel Injection Valve Assembly | 124 |
| Fuel Filter Assembly | 126 |
| Starting Motor Assembly | 128 |
| Generator Assembly | 130 |
| Accessories Assembly | 132 |
| Attachments and Accessories | 134 |

Frame and Roll-Over Protection System Assembly

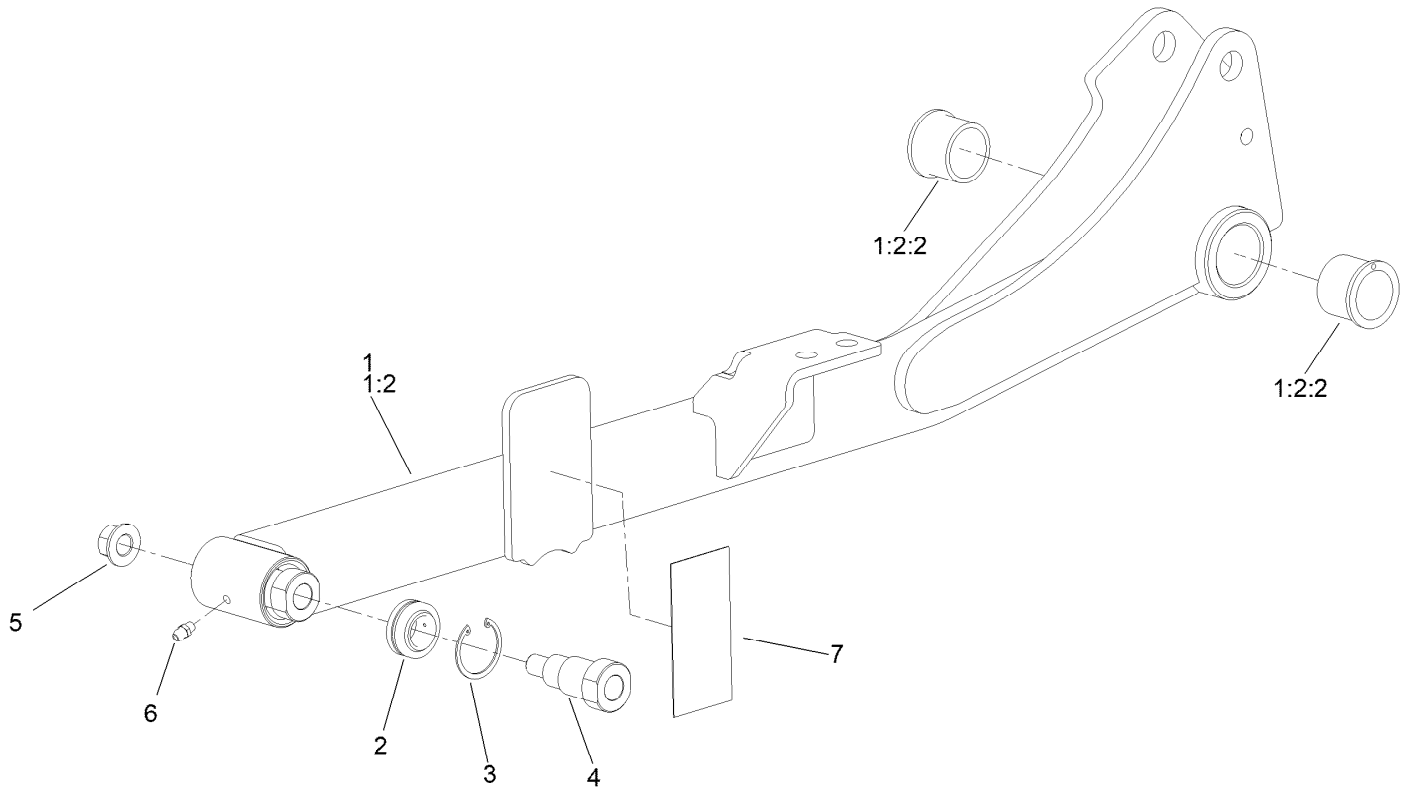


Frame and Roll-Over Protection System Assembly (continued)

| <i>Ref.</i> | <i>Part Number</i> | <i>Qty.</i> | <i>Description</i> | <i>Ref.</i> | <i>Part Number</i> | <i>Qty.</i> | <i>Description</i> |
|-------------|--------------------|-------------|-----------------------------|-------------|--------------------|-------------|--------------------------|
| 1 | 145-6050SP | 1 | Frame ASM | 19:2 | 99-6964 | 2 | Bushing-Axle |
| 2 | 139-6254SP | 1 | ROPS ASM, Lower | 19:3 | 104-0015 | 4 | Bushing-Flange |
| 2:1 | | 1 | ROPS ASM, Lower ● | 19:4 | 302-5 | 2 | Fitting-Grease |
| 2:1:2 | 138-2760 | 4 | Nut-Clinch, Hex | 20 | 32151-77 | 2 | Ring-Retaining, External |
| 3 | 117-3176 | 4 | Screw-HHF | 21 | 69-8890 | 2 | Cap-Spindle |
| 4 | 99-5107 | 6 | Nut-Lock | 22 | 3234-1 | 2 | Screw-HHF |
| 5 | 138-7470 | 1 | ROPS ASM, Upper | 23 | 140-6101 | 1 | Pin ASM-Axle Pivot |
| 5:3 | 108-2073 | 1 | Decal-Warning | 23:2 | 32121-32 | 1 | Pin-Roll |
| 6 | 325-13 | 2 | Screw-HH | 24 | 99-8432 | 2 | Washer-Thrust |
| 7 | 110-5696 | 2 | Spring-Leaf | 25 | 71-4540 | 1 | Washer-Thrust |
| 8 | 32105-15 | 6 | Screw-HWH | 26 | 3296-15 | 1 | Nut-Lock, NI |
| 9 | 32128-23 | 2 | Nut-HF | 27 | 302-33 | 1 | Fitting-Grease |
| 11 | 144-3943 | 1 | Lift Arm ASM. LH | 28 | 144-3900 | 1 | Tie Rod ASM |
| 12 | 144-3942 | 1 | Lift Arm ASM. RH | 29 | 3272-12 | 2 | Pin-Cotter |
| 13 | 138-7489 | 2 | Pin (Machined) | 30 | 76-2980 | 2 | Washer-Thrust |
| 14 | 302-5 | 2 | Fitting-Grease | 31 | 138-4452 | 2 | Pad-Stop, Deck |
| 15 | 119-4061 | 2 | Screw-HHF | 32 | 3289-4 | 4 | Screw-FH |
| 16 | 104-8301 | 4 | Nut-HF, NI | 33 | 325-7 | 2 | Screw-HH |
| 17 | 3218-5 | 2 | Nut-Jam | 34 | 138-4593 | 2 | Pin |
| 18 | 115-5300 | 1 | Proximity Switch ASM | 35 | 133-9682 | 2 | Screw-Hfh |
| 18:1 | 117-3207 | 2 | Nut-Hex | 36 | 147-0045-0P | 1 | Channel-Harness Retainer |
| 18:2 | 117-3208 | 2 | Washer-Lock, Internal Tooth | 37 | 138-2758 | 2 | Nut-Clinch,Hex |
| 19 | 138-4588 | 1 | Axle ASM | 38 | 240-5 | 1 | Grommet |

● Not serviced separately

LH Lift Arm Assembly No. 144-3943

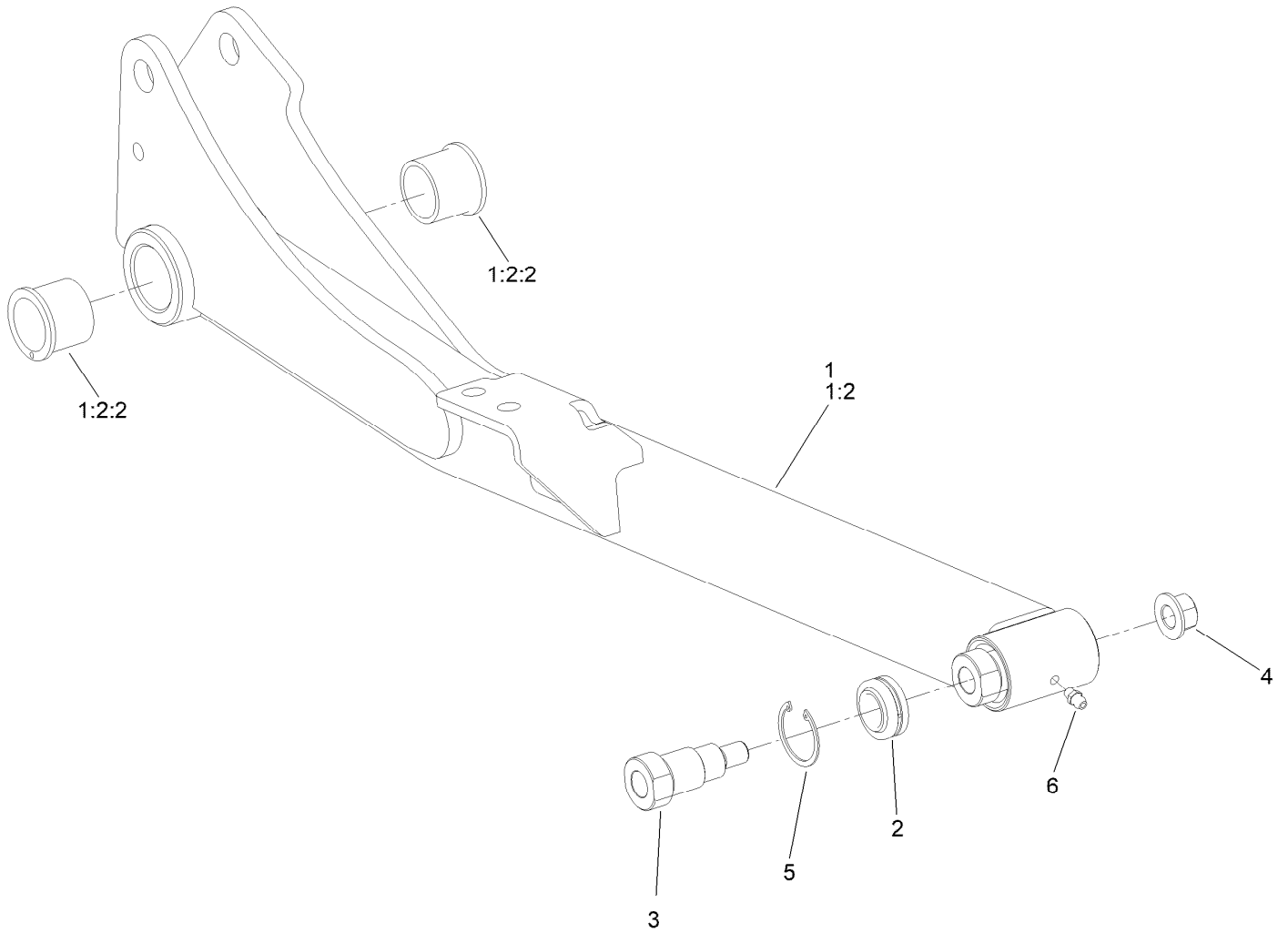


LH Lift Arm Assembly No. 144-3943 (continued)

| <i>Ref.</i> | <i>Part Number</i> | <i>Qty.</i> | <i>Description</i> | <i>Ref.</i> | <i>Part Number</i> | <i>Qty.</i> | <i>Description</i> |
|-------------|--------------------|-------------|--------------------|-------------|--------------------|-------------|--------------------|
| 1 | | 1 | Lift Arm ASM, LH ● | 4 | 139-0910 | 1 | Bolt-Shoulder |
| 1:2 | | 1 | Hub-ASM ● | 5 | 99-5107 | 1 | Nut-Lock |
| 1:2:2 | 104-0015 | 2 | Bushing-Flange | 6 | 302-5 | 1 | Fitting-Grease |
| 2 | 105-7441 | 1 | Bearing-Spherical | 7 | 139-0948 | 1 | Pad-Ride, Pin |
| 3 | 32151-34 | 1 | Ring-Retaining | | | | |

● Not serviced separately

RH Lift Arm Assembly No. 144-3942

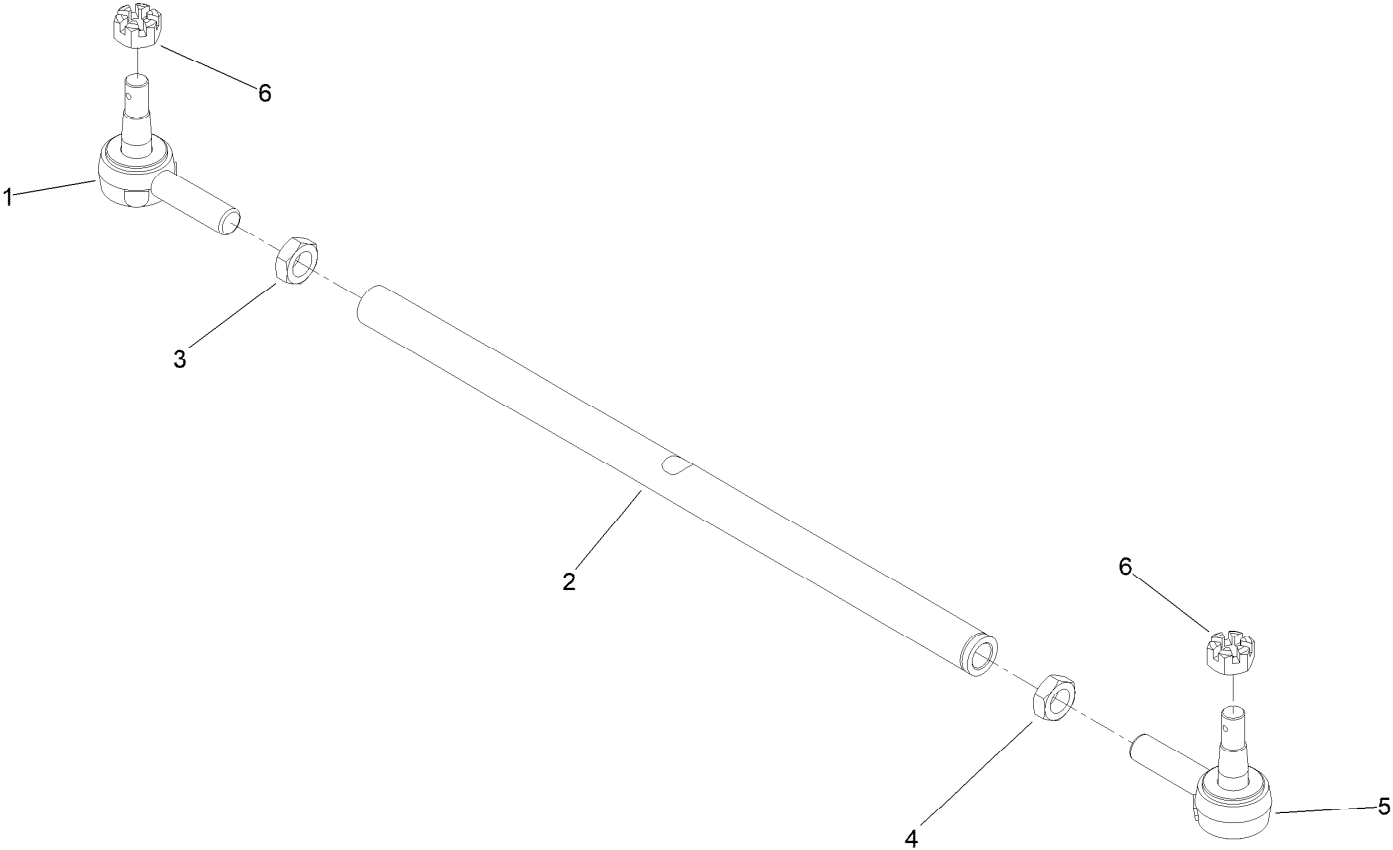


RH Lift Arm Assembly No. 144-3942 (continued)

| <i>Ref.</i> | <i>Part Number</i> | <i>Qty.</i> | <i>Description</i> | <i>Ref.</i> | <i>Part Number</i> | <i>Qty.</i> | <i>Description</i> |
|-------------|--------------------|-------------|--------------------|-------------|--------------------|-------------|--------------------|
| 1 | | 1 | Lift Arm ASM, RH ● | 3 | 139-0910 | 1 | Bolt-Shoulder |
| 1:2 | | 1 | Hub-ASM ● | 4 | 99-5107 | 1 | Nut-Lock |
| 1:2:2 | 104-0015 | 2 | Bushing-Flange | 5 | 32151-34 | 1 | Ring-Retaining |
| 2 | 105-7441 | 1 | Bearing-Spherical | 6 | 302-5 | 1 | Fitting-Grease |

● Not serviced separately

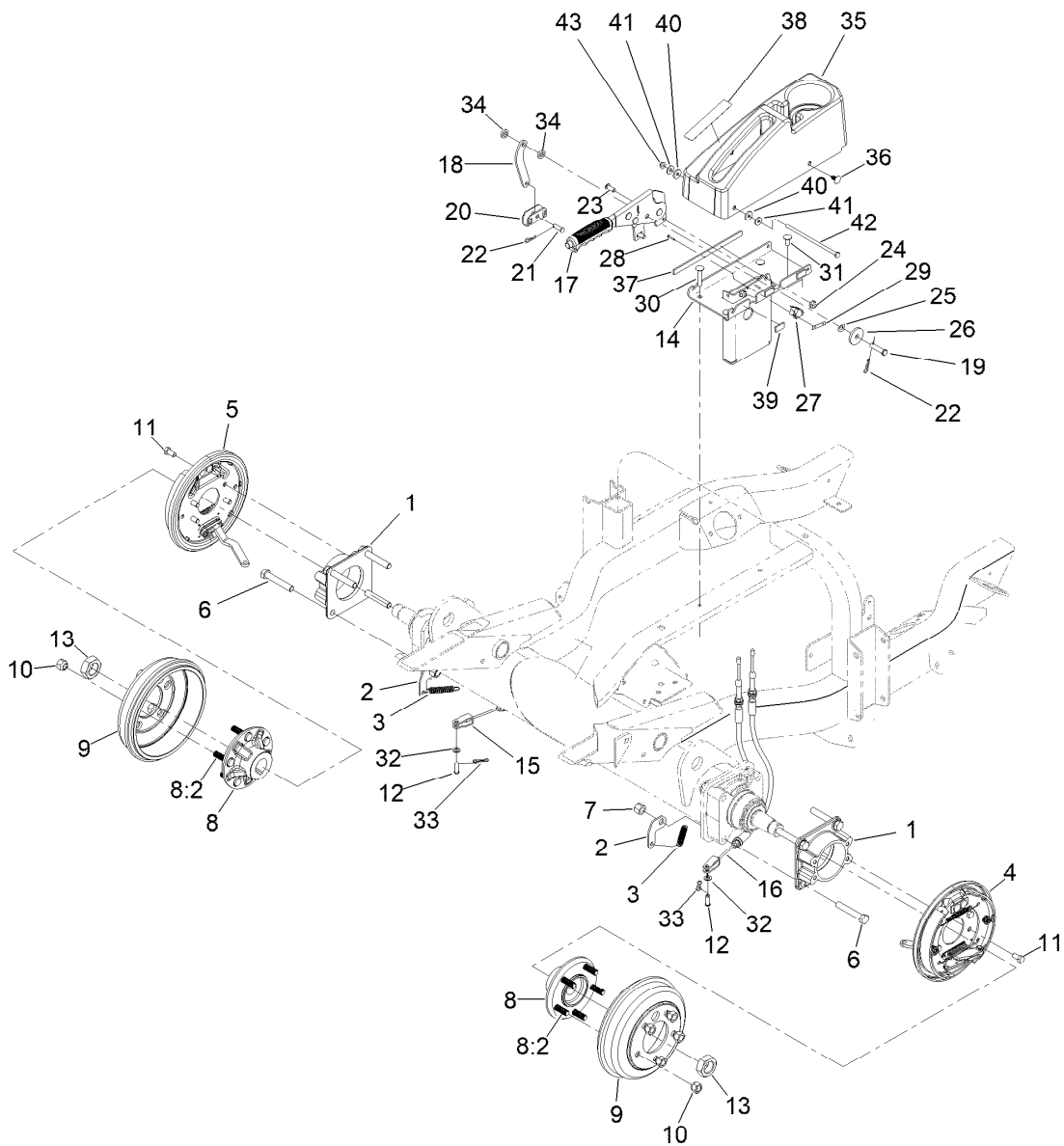
Tie Rod Assembly No. 144-3900



Tie Rod Assembly No. 144-3900 (continued)

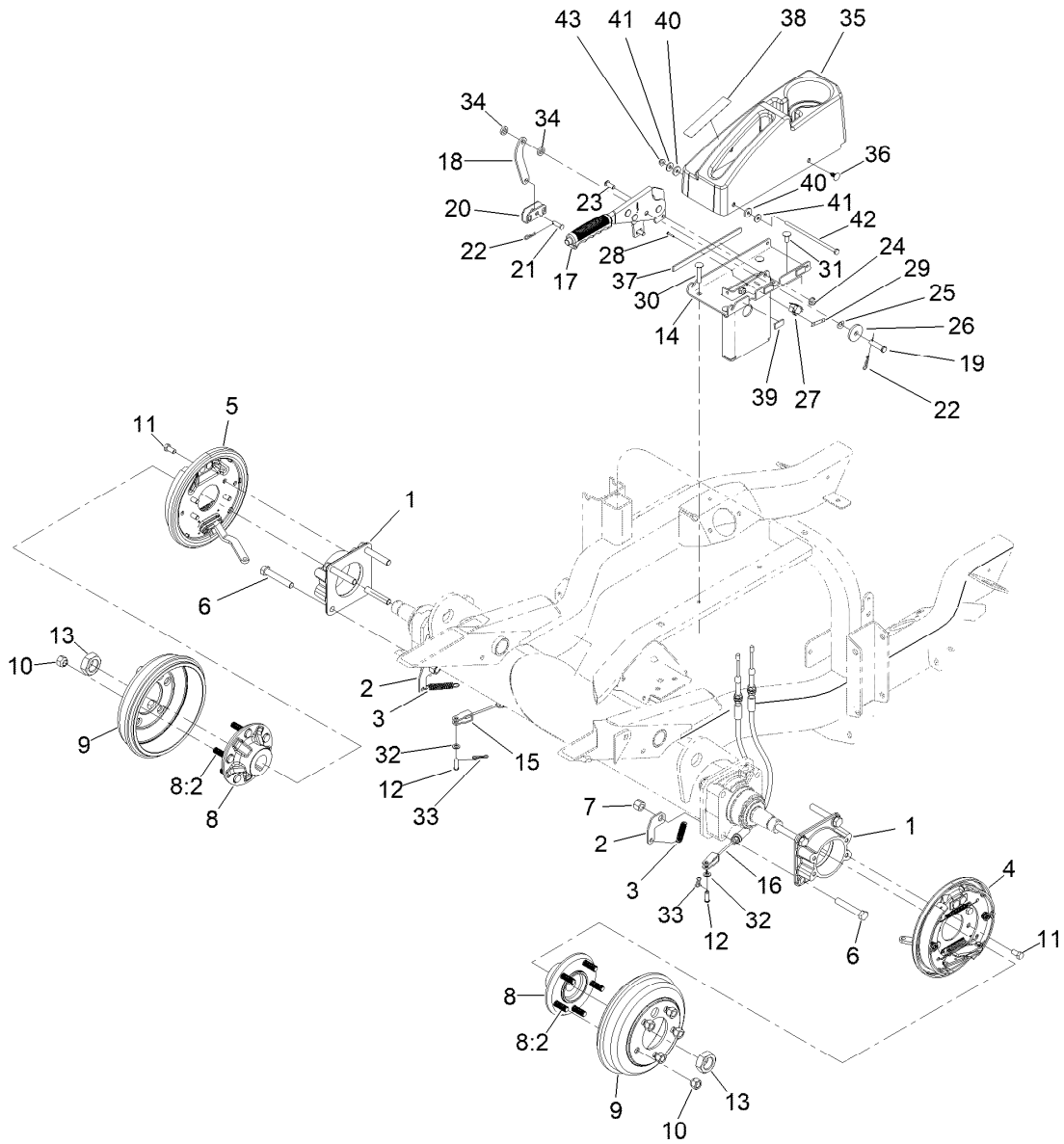
| <i>Ref.</i> | <i>Part Number</i> | <i>Qty.</i> | <i>Description</i> |
|-------------|--------------------|-------------|--------------------|
| 1 | 144-3901 | 1 | Tie Rod End |
| 2 | 133-6463 | 1 | Tie-Rod |
| 3 | 84-5300 | 1 | Nut-Jam |

| <i>Ref.</i> | <i>Part Number</i> | <i>Qty.</i> | <i>Description</i> |
|-------------|--------------------|-------------|--------------------|
| 4 | 110-5337 | 1 | Nut-Jam |
| 5 | 144-3902 | 1 | Tie Rod End |
| 6 | 140-6135 | 2 | Nut-Hex, Slotted |



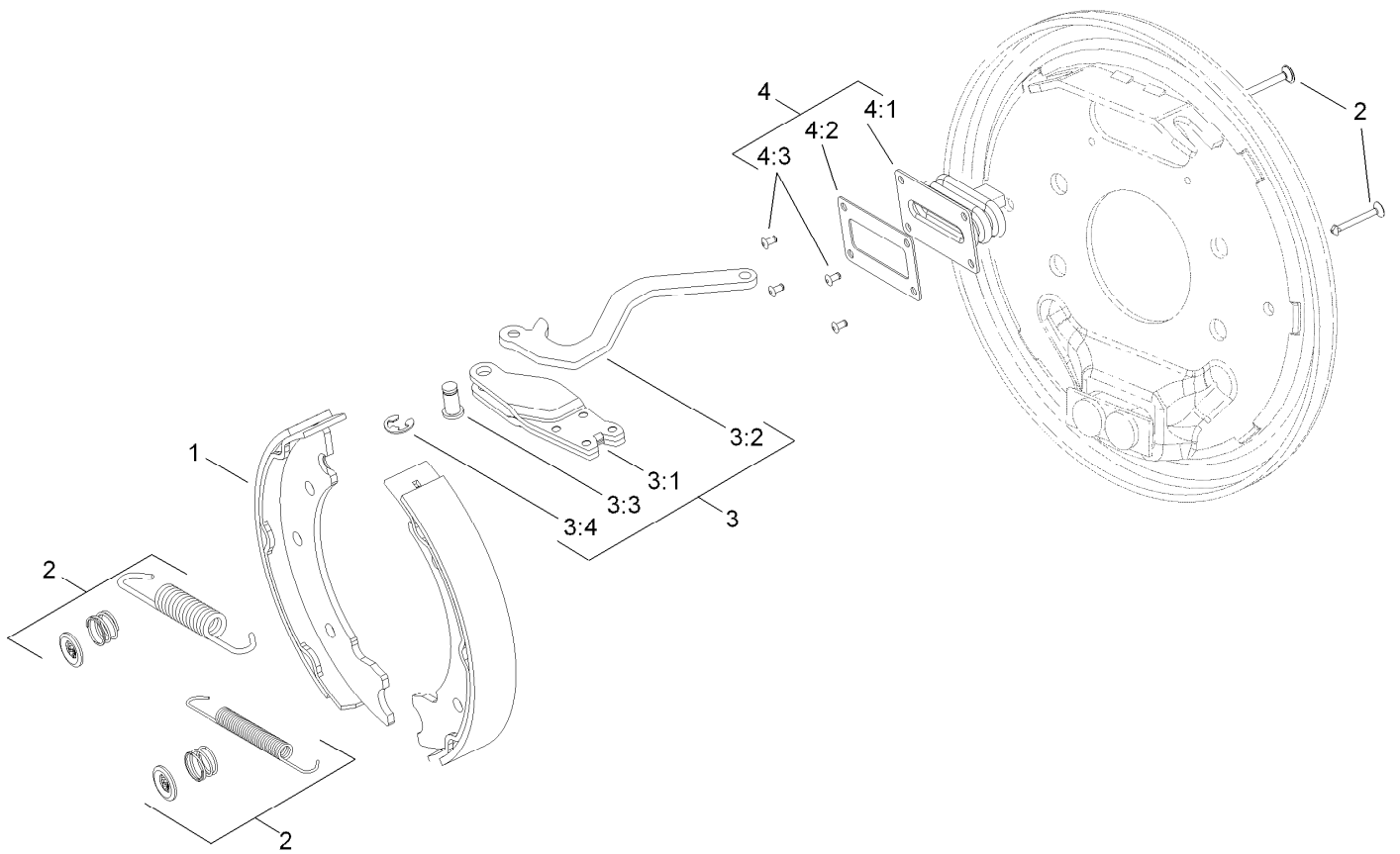
Brake Assembly

| Ref. | Part Number | Qty. | Description | Ref. | Part Number | Qty. | Description |
|------|-------------|------|---------------------------------|------|-------------|------|--------------------------|
| 1 | 120-6253-03 | 2 | Adapter-Brake | 20 | 87-3480 | 1 | Bracket-Equalizer, Cable |
| 2 | 138-4499 | 2 | Clip-Spring | 21 | 1-808280 | 1 | Pin-Clevis |
| 3 | 137-2591 | 2 | Spring-Extension | 22 | 1-806003 | 2 | Pin-Cotter |
| 4 | 120-0235 | 1 | LH Brake ASM | 23 | 3274-55 | 2 | Screw-HSBH |
| 5 | 120-0233 | 1 | RH Brake ASM | 24 | 104-8300 | 6 | Nut-HF, NI |
| 6 | 325-12 | 8 | Screw-HH | 25 | 121-4605 | 1 | Washer-Spring |
| 7 | 3296-23 | 8 | Nut-Lock, NI | 26 | 131-8496 | 1 | Washer-Plain |
| 8 | 137-2470 | 2 | Hub ASM | 27 | 108-6496 | 1 | Switch (W/Boot) |
| 8:2 | 114-3918 | 5 | Stud-Wheel | 28 | 95-3003 | 2 | Screw-PPHTF |
| 9 | 114-8864 | 2 | Drum-Brake | 29 | 3290-354 | 1 | Nut-Speed |
| 10 | 242-50 | 10 | Nut-Lug | 30 | 116-0629 | 2 | Screw-CARR |
| 11 | 323-4 | 8 | Screw-HH | 31 | 3230-23 | 2 | Bolt-CARR |
| 12 | 283-58 | 2 | Pin-Clevis | 32 | 3256-74 | 2 | Washer-Flat |
| 13 | 107-9319 | 2 | Nut-Hex | 33 | 119-1415 | 2 | Pin-Cotter, Locking |
| 14 | 147-0064-0P | 1 | Parking Brake Mount [primed] | 34 | 3-3287 | 2 | Spacer |
| 15 | 137-2640 | 1 | Cable-Brake, Adjustable RH | 35 | 138-7475 | 1 | Cover-Brake, Parking |
| 16 | 137-2641 | 1 | Cable-Brake, Adjustable LH | 36 | 117-2382 | 2 | Plug-Plastic |
| 17 | 131-8320 | 1 | Lever-Brake, Park | 37 | 132-7282 | 1 | Strip-Foam |
| 18 | 144-0516 | 1 | Link-Park, Brake | 38 | 139-6224 | 1 | Decal-Brake, Parking |
| 19 | 283-10 | 1 | Pin-Clevis | 39 | 115-5417 | 3 | Strip-Foam |
| | | | | 40 | 144-0499 | 2 | Washer-Epdm |



Brake Assembly (continued)

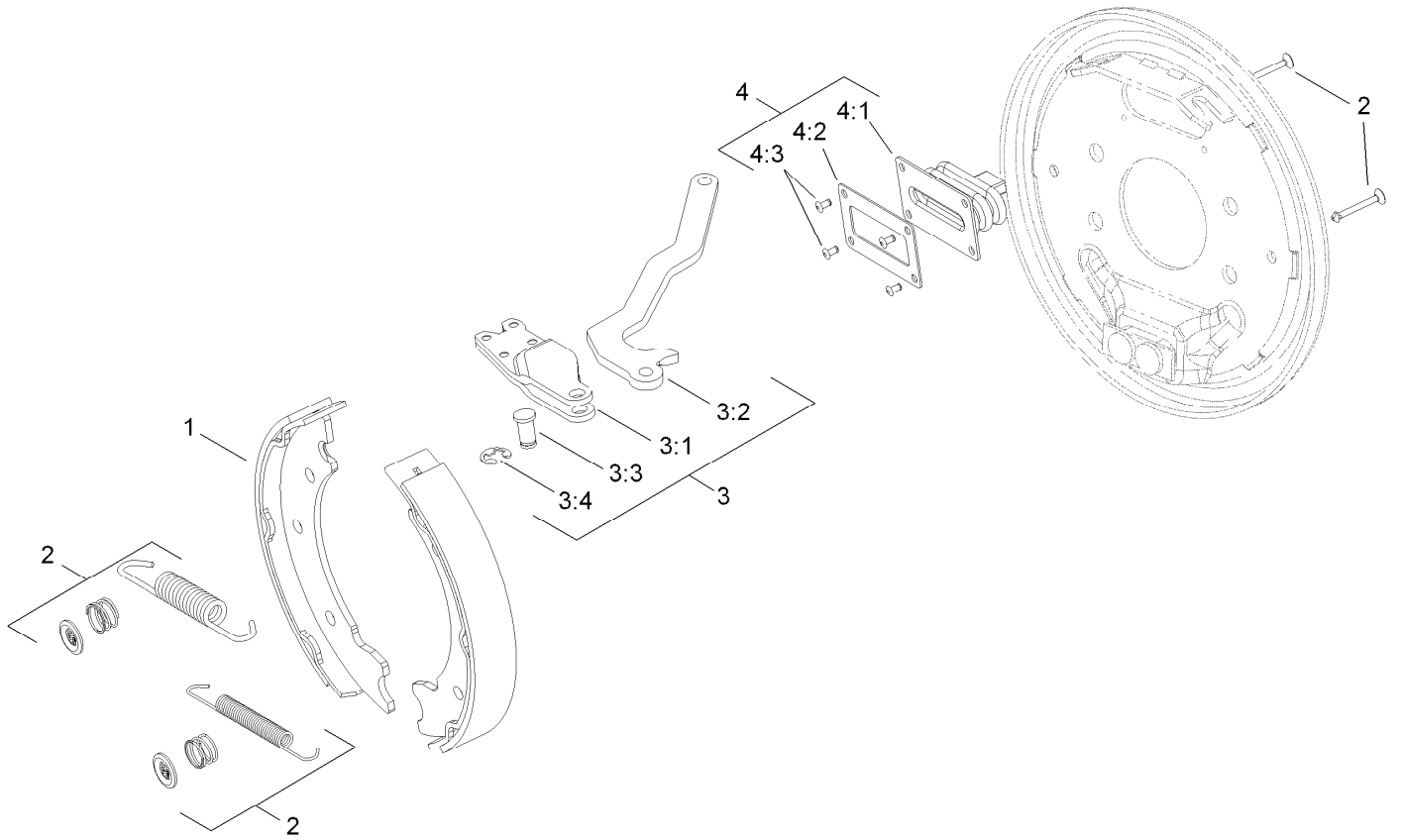
| <i>Ref.</i> | <i>Part Number</i> | <i>Qty.</i> | <i>Description</i> | <i>Ref.</i> | <i>Part Number</i> | <i>Qty.</i> | <i>Description</i> |
|-------------|--------------------|-------------|--------------------|-------------|--------------------|-------------|--------------------|
| 41 | 3256-78 | 2 | Washer-Flat | 42 | 321-21 | 1 | Screw-HH |
| | | | | 43 | 104-7201 | 1 | Nut-HF, NI |



Left Hand Brake Assembly No. 120-0235

| Ref. | Part Number | Qty. | Description |
|------|-------------|------|--------------------|
| 1 | 139-5950 | 1 | Brake Shoe Kit |
| 2 | 108-6983 | 1 | Brake Hardware Kit |
| 3 | 120-0236 | 1 | LH Actuator Kit |
| 3:1 | | 1 | Housing ● |
| 3:2 | | 1 | Lever-LH ● |
| 3:3 | | 1 | Pin-Pivot ● |
| 3:4 | | 1 | E-Ring ● |
| 4 | 110-8885 | 1 | Dust Boot Kit |
| 4:1 | | 1 | Boot ● |
| 4:2 | | 1 | Plate-Back Up ● |
| 4:3 | | 2 | Rivet ● |

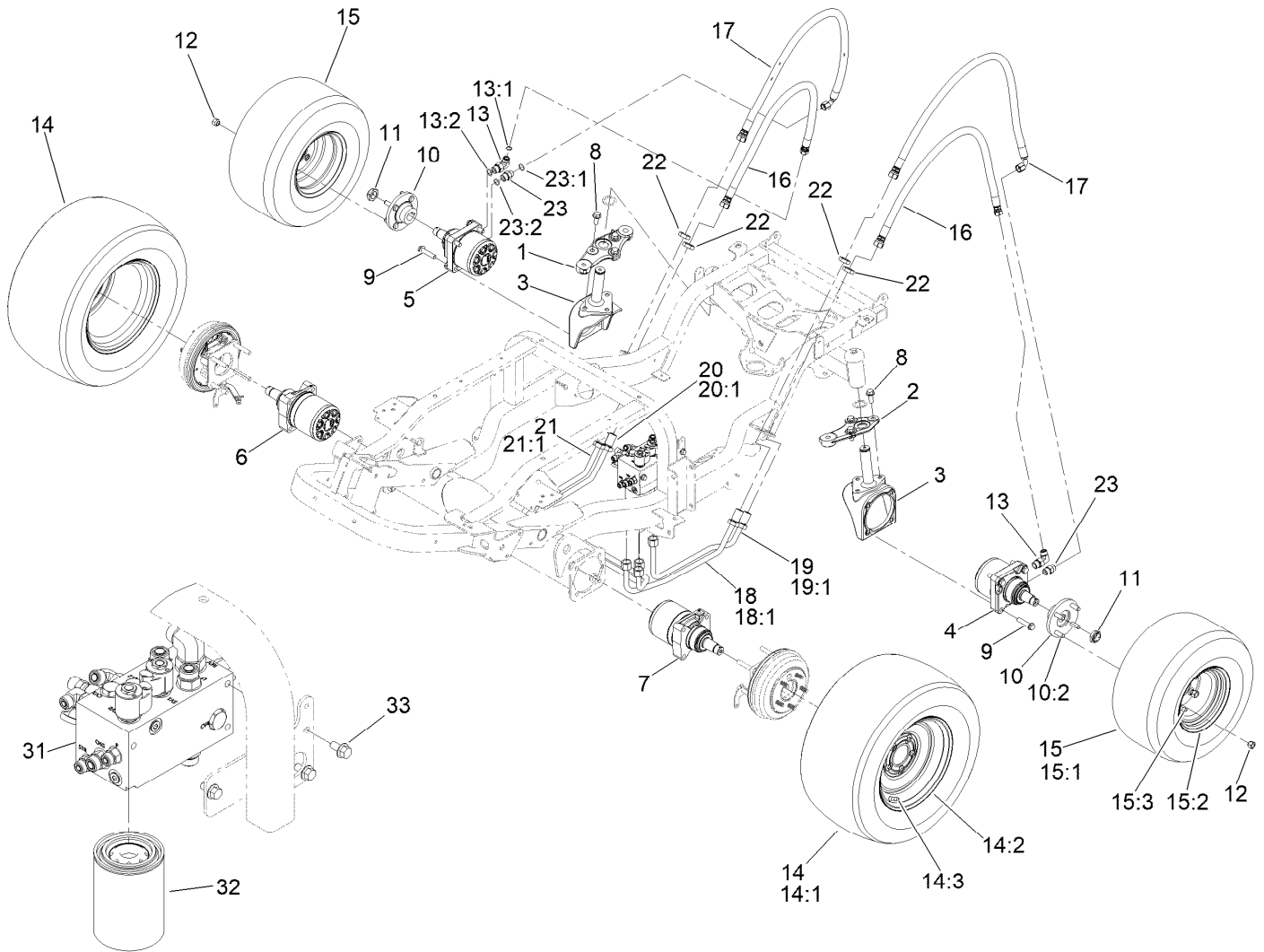
● Not serviced separately



Right Hand Brake Assembly No. 120-0233

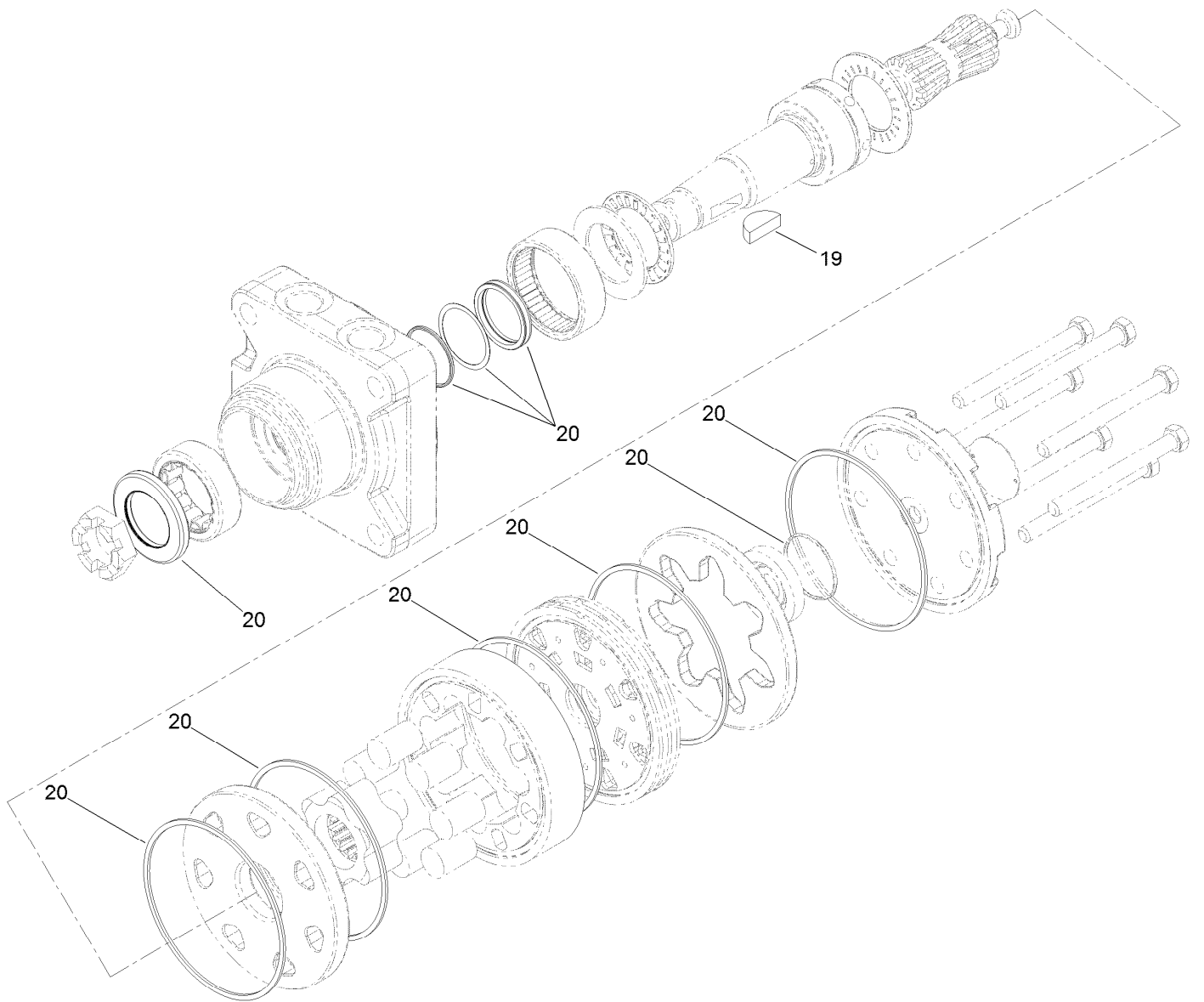
| Ref. | Part Number | Qty. | Description |
|------|-------------|------|--------------------|
| 1 | 139-5950 | 1 | Brake Shoe Kit |
| 2 | 108-6983 | 1 | Brake Hardware Kit |
| 3 | 120-0234 | 1 | RH Actuator Kit |
| 3:1 | | 1 | Housing ● |
| 3:2 | | 1 | Lever-RH ● |
| 3:3 | | 1 | Pin-Pivot ● |
| 3:4 | | 1 | E-Ring ● |
| 4 | 110-8885 | 1 | Dust Boot Kit |
| 4:1 | | 1 | Boot ● |
| 4:2 | | 1 | Plate-Back Up ● |
| 4:3 | | 2 | Rivet ● |

● Not serviced separately



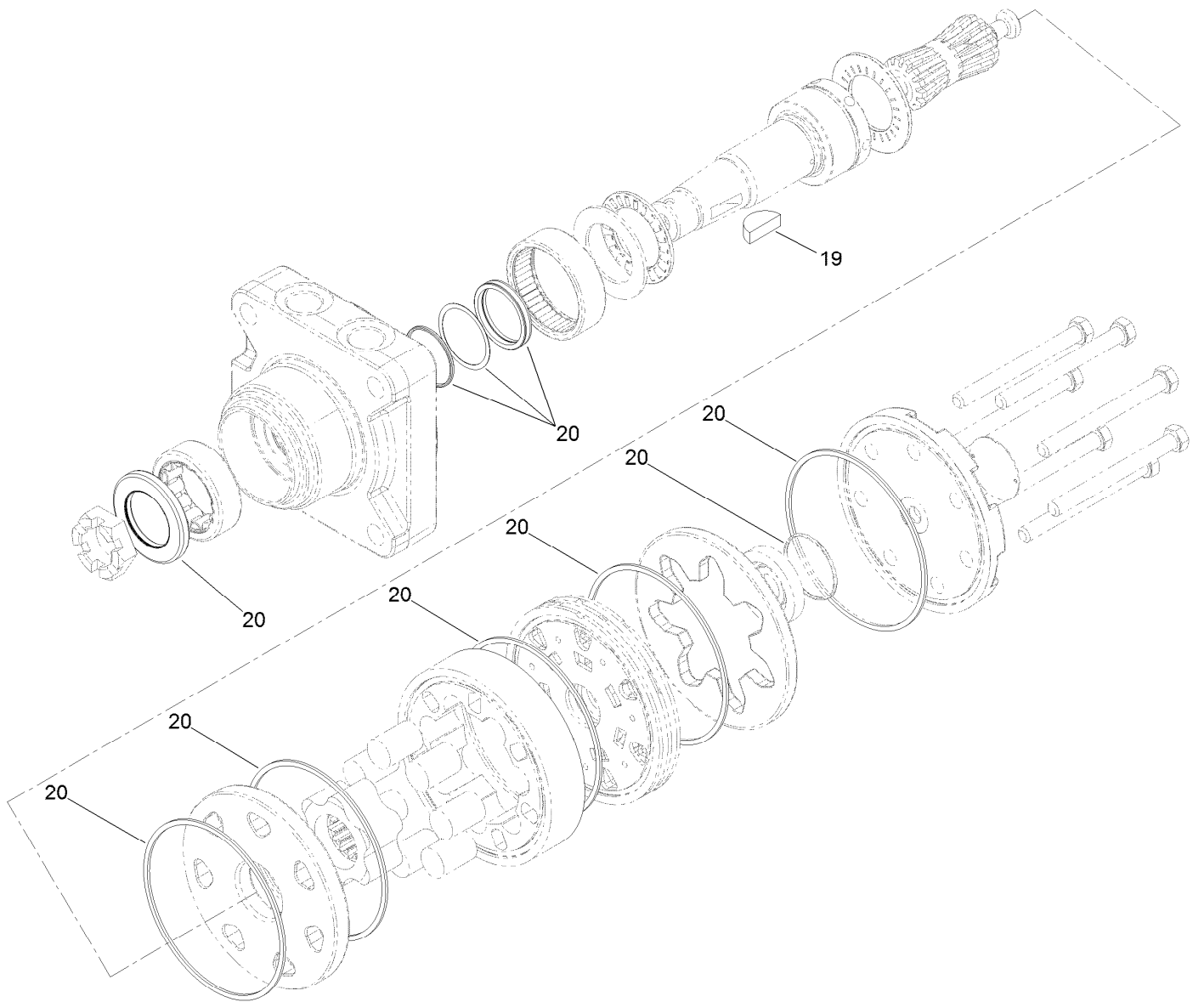
Hydraulic Drive Assembly

| Ref. | Part Number | Qty. | Description | Ref. | Part Number | Qty. | Description |
|------|-------------|------|-----------------------|------|-------------|------|----------------------------|
| 1 | 140-3142 | 1 | Link-Drag, RH | 15:1 | 137-2596 | 1 | Tire |
| 2 | 140-3144 | 1 | Link-Drag, LH | 15:2 | 137-2597 | 1 | Rim |
| 3 | 107-4517-03 | 2 | Housing-Motor | 15:3 | 232-27 | 1 | Stem-Valve |
| 4 | 137-2458 | 1 | Motor-Hydraulic, CCW | 16 | 144-3929 | 2 | Hose ASM, Hydraulic |
| 5 | 137-2478 | 1 | Motor-Hydraulic, CW | 17 | 144-3928 | 2 | Hose ASM, Hydraulic |
| 6 | 137-2479 | 1 | Motor-Hydraulic, CW | 18 | 138-0334 | 1 | Hydraulic Tube ASM |
| 7 | 137-2459 | 1 | Motor-Hydraulic, CCW | 18:1 | 237-65 | 1 | O-Ring |
| 8 | 3234-38 | 6 | Screw-HHF | 19 | 138-0335 | 1 | Hydraulic Tube ASM |
| 9 | 3234-46 | 8 | Screw-HHF | 19:1 | 237-65 | 1 | O-Ring |
| 10 | 147-0098 | 2 | Hub ASM | 20 | 145-6069 | 1 | Hydraulic Tube ASM |
| 10:2 | 147-0130 | 4 | Stud-Wheel | 20:1 | 237-65 | 1 | O-Ring |
| 11 | 107-9319 | 2 | Nut-Hex | 21 | 145-6071 | 1 | Hydraulic Tube ASM |
| 12 | 242-50 | 8 | Nut-Lug | 21:1 | 237-65 | 1 | O-Ring |
| 13 | 340-105 | 2 | Fitting-Elbow, 90 DEG | 22 | 340-74 | 4 | Nut-Lock, Bulkhead |
| 13:1 | 237-80 | 1 | O-Ring | 23 | 340-6 | 2 | Fitting-Straight |
| 13:2 | 237-30 | 1 | O-Ring | 23:1 | 237-30 | 1 | O-Ring |
| 14 | 137-2590 | 2 | Wheel ASM | 23:2 | 237-80 | 1 | O-Ring |
| 14:1 | 137-2594 | 1 | Tire | 31 | 145-6080 | 1 | Manifold Steering/Lift-4Wd |
| 14:2 | 137-2595 | 1 | Rim | 32 | 86-3010 | 1 | Filter-Oil |
| 14:3 | 232-27 | 1 | Stem-Valve | 33 | 3234-1 | 3 | Screw-HHF |
| 15 | 137-2592 | 2 | Wheel ASM | | | | |



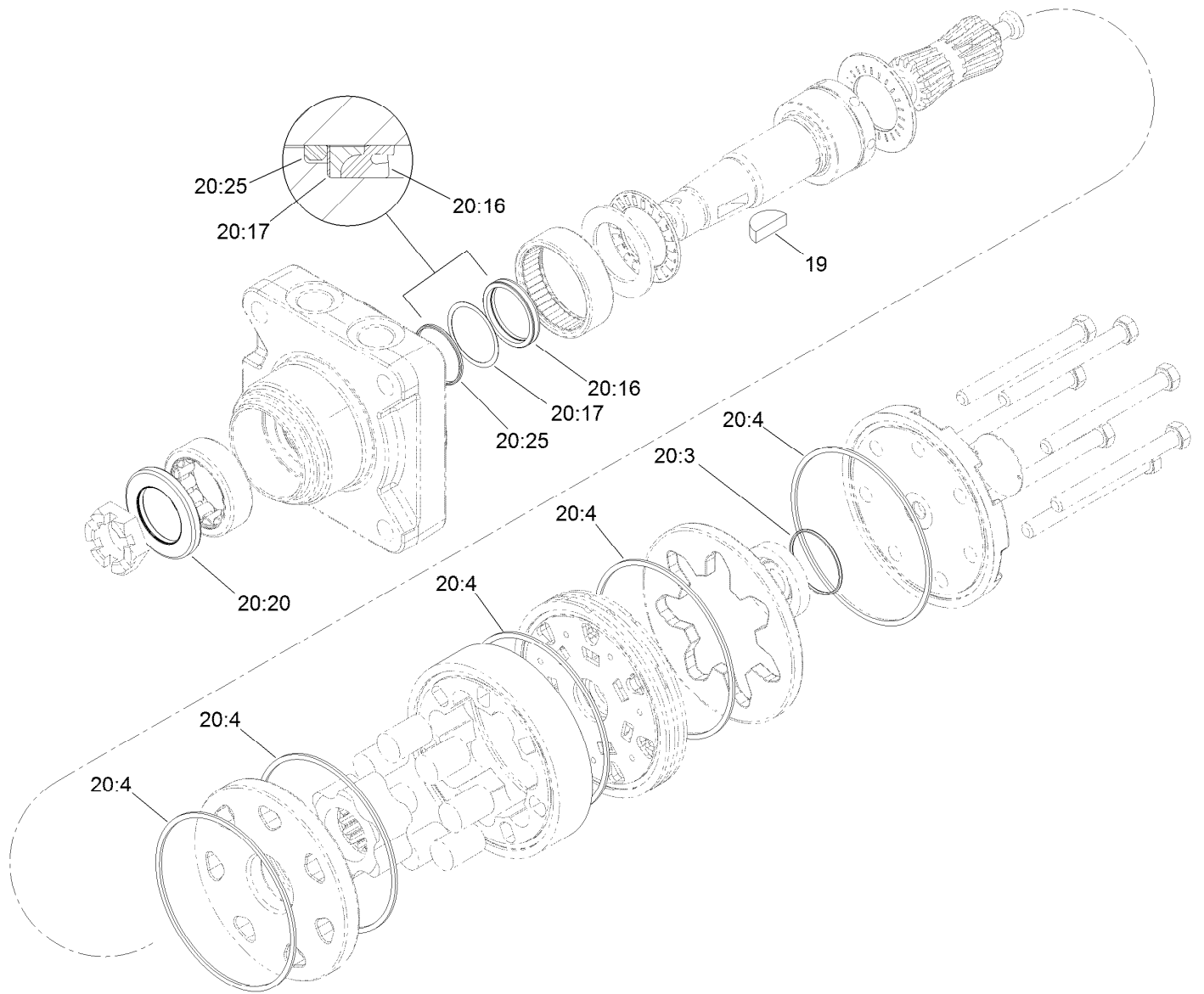
Hydraulic Motor Assembly No. 137-2458

| <i>Ref.</i> | <i>Part Number</i> | <i>Qty.</i> | <i>Description</i> |
|-------------|--------------------|-------------|--------------------|
| 19 | 3257-42 | 1 | Key-Woodruff |
| 20 | 110-8896 | 1 | Seal Kit |



Hydraulic Motor Assembly No. 137-2478

| <i>Ref.</i> | <i>Part Number</i> | <i>Qty.</i> | <i>Description</i> |
|-------------|--------------------|-------------|--------------------|
| 19 | 3257-42 | 1 | Key-Woodruff |
| 20 | 110-8896 | 1 | Seal Kit |

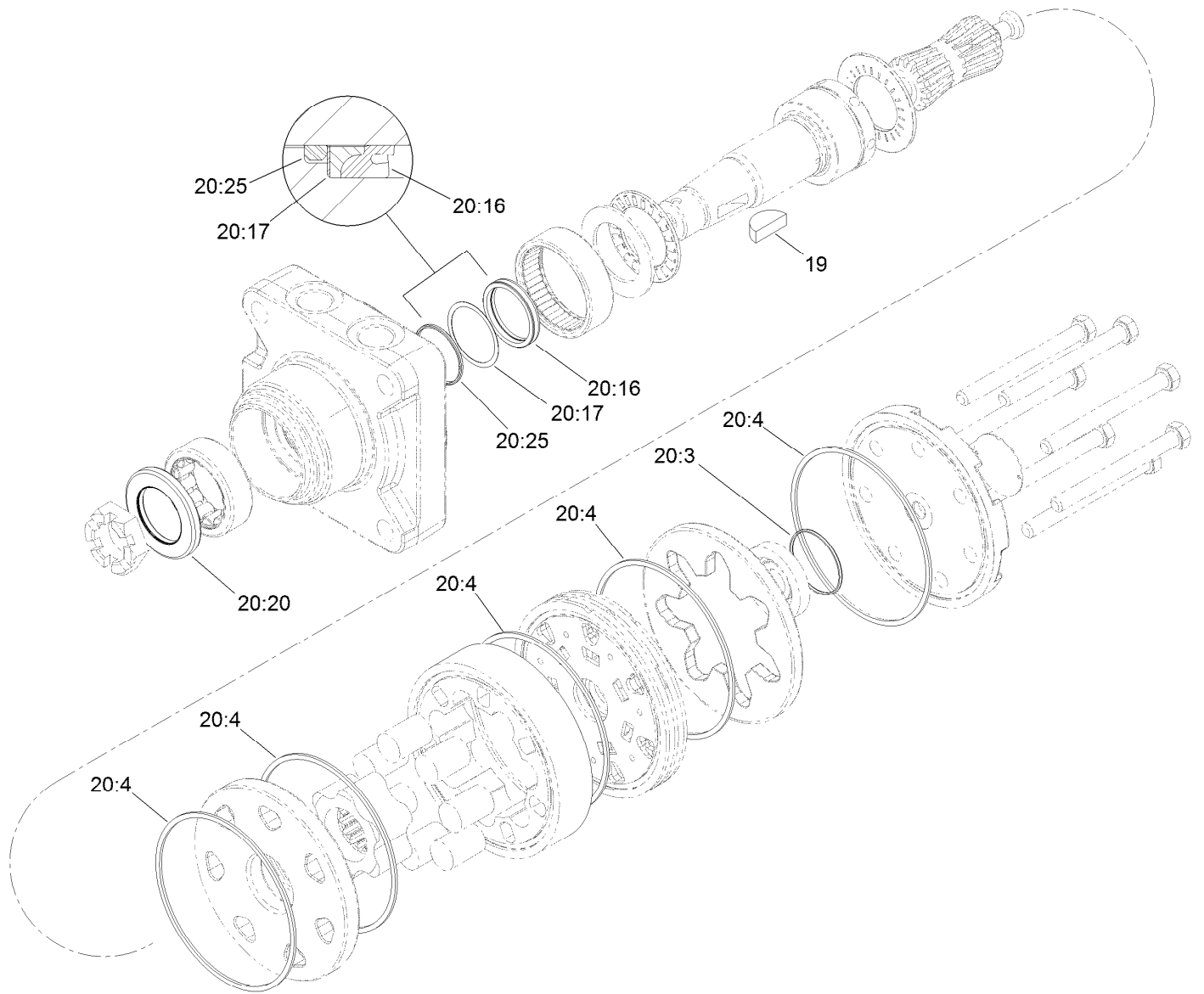


Hydraulic Motor Assembly No. 137-2459

| <i>Ref.</i> | <i>Part Number</i> | <i>Qty.</i> | <i>Description</i> |
|-------------|--------------------|-------------|---------------------------|
| 19 | 3257-42 | 1 | Key-Woodruff |
| 20 | 110-8896 | 1 | Seal Kit ● |
| 20:3 | | 1 | Seal-Commutator, Vespel ■ |
| 20:4 | | 6 | Seal-Body, Buna ■ |
| 20:16 | | 1 | Seal-Shaft ■ |
| 20:17 | | 1 | Washer-Back Up ■ |
| 20:20 | | 1 | Seal-Dirt/Water ■ |
| 20:25 | | 1 | Ring-Back Up ■ |

● Not illustrated

■ Not serviced separately

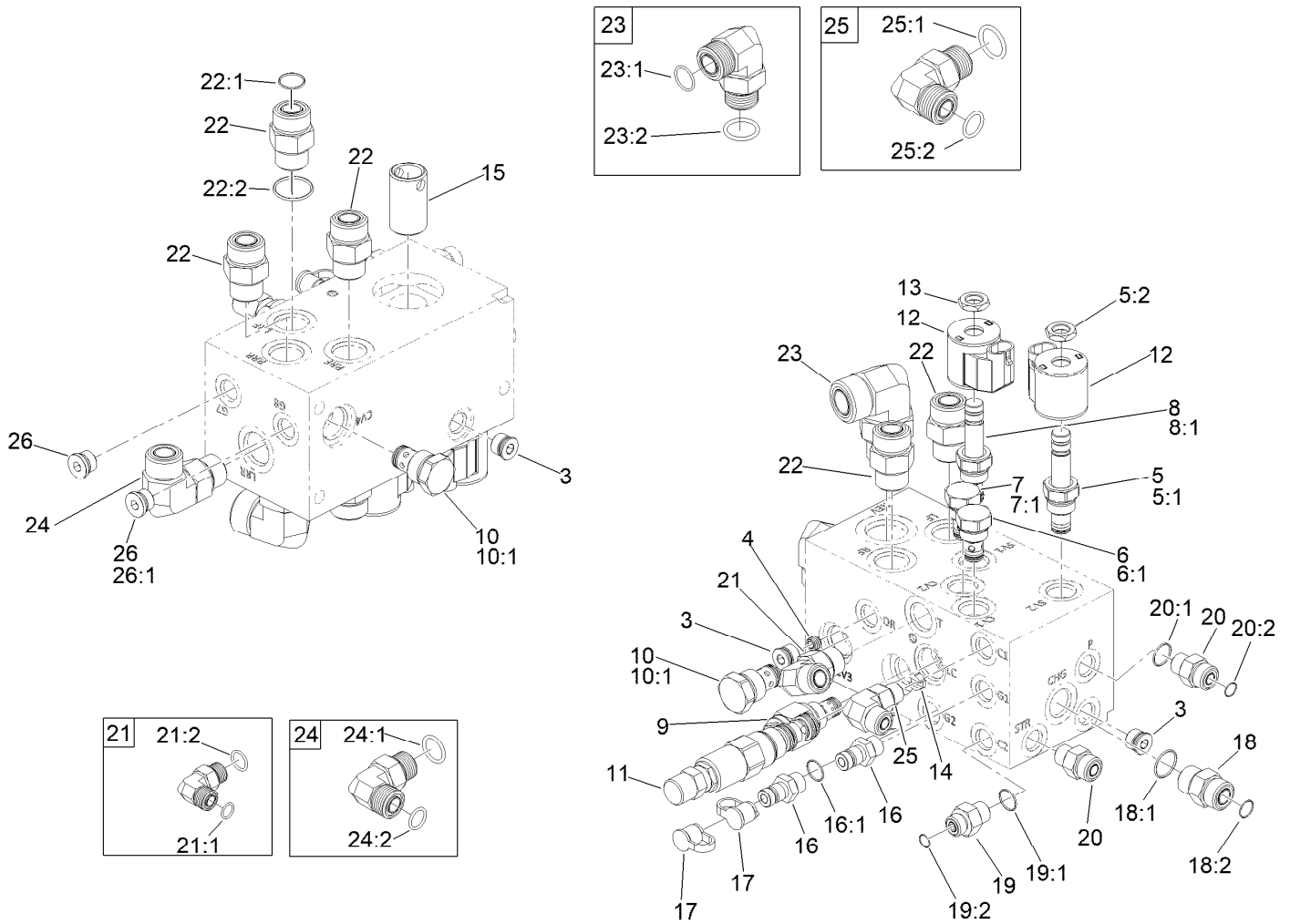


Hydraulic Motor Assembly No. 137-2479

| <i>Ref.</i> | <i>Part Number</i> | <i>Qty.</i> | <i>Description</i> |
|-------------|--------------------|-------------|---------------------------|
| 19 | 3257-42 | 1 | Key-Woodruff |
| 20 | 110-8896 | 1 | Seal Kit ● |
| 20:3 | | 1 | Seal-Commutator, Vespel ■ |
| 20:4 | | 6 | Seal-Body, Buna ■ |
| 20:16 | | 1 | Seal-Shaft ■ |
| 20:17 | | 1 | Washer-Back Up ■ |
| 20:20 | | 1 | Seal-Dirt/Water ■ |
| 20:25 | | 1 | Ring-Back Up ■ |

● Not illustrated

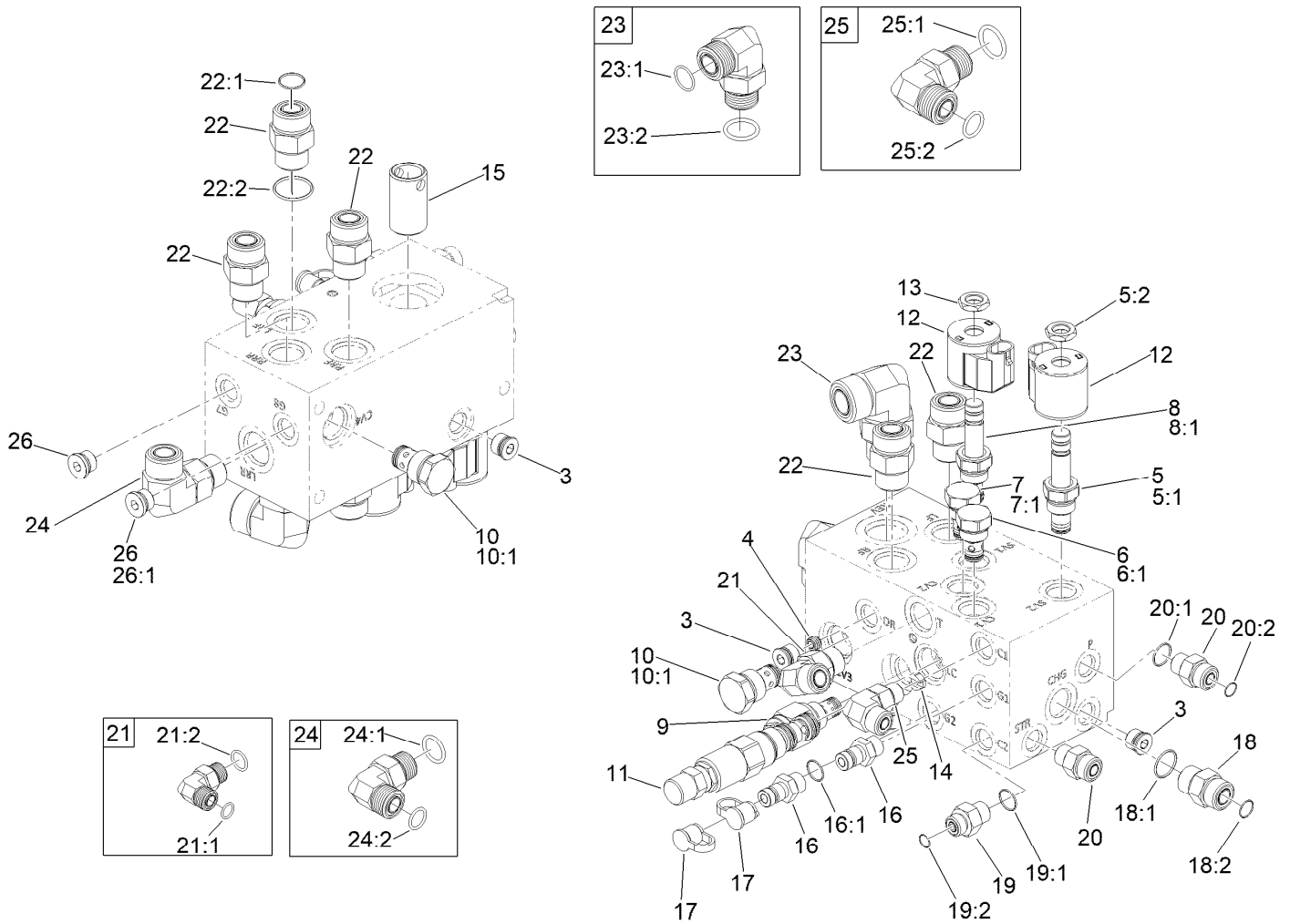
■ Not serviced separately



Steering/Lift Manifold Assembly No. 145-6080

| Ref. | Part Number | Qty. | Description | Ref. | Part Number | Qty. | Description |
|------|-------------|------|-----------------------------------|------|-------------|------|-------------------------|
| 3 | 112-9213 | 3 | Plug | 14 | 139-6296 | 1 | Orifice-Check 0.100 DIA |
| 4 | 110-8883 | 1 | Plug-Orifice (0.040) | 15 | 139-6297 | 1 | Nipple-Filter |
| 5 | 112-9206 | 1 | Solenoid Valve ASM | 16 | 59-7410 | 2 | Fitting-Diagnostic |
| 5:1 | 105-9156 | 1 | Seal Kit | 16:1 | 237-42 | 1 | O-Ring |
| 5:2 | 110-2634 | 1 | Nut-Coil | 17 | 354-79 | 2 | Cap-Dust |
| 6 | 114-2873 | 1 | Check Valve ASM | 18 | 340-4 | 1 | Fitting-Straight |
| 6:1 | 105-9156 | 1 | Seal Kit | 18:1 | 237-30 | 1 | O-Ring |
| 7 | 139-1213 | 1 | Valve-Check | 18:2 | 237-79 | 1 | O-Ring |
| 7:1 | 105-9156 | 1 | Seal Kit | 19 | 340-1 | 1 | Fitting-Straight |
| 8 | 120-6562 | 1 | Valve-Solenoid | 19:1 | 237-21 | 1 | O-Ring |
| 8:1 | 105-9156 | 1 | Seal Kit | 19:2 | 237-42 | 1 | O-Ring |
| 9 | 139-6298 | 1 | Valve-Relief (Bi-Directional) | 20 | 340-2 | 2 | Fitting-Straight |
| 10 | 110-8881 | 2 | Valve-Check | 20:1 | 237-22 | 1 | O-Ring |
| 10:1 | 105-9159 | 1 | Seal Kit ● | 20:2 | 237-42 | 1 | O-Ring |
| 11 | 144-0501 | 1 | Valve-Logic, 220 PSI (Adjustable) | 21 | 340-98 | 1 | Fitting-Elbow, 90 DEG |
| 12 | 110-0497 | 2 | Coil-Solenoid | 21:1 | 237-79 | 1 | O-Ring |
| 13 | 110-2634 | 2 | Nut-Coil | 21:2 | 237-30 | 1 | O-Ring |
| | | | | 22 | 340-7 | 5 | Fitting-Straight |

● Not illustrated

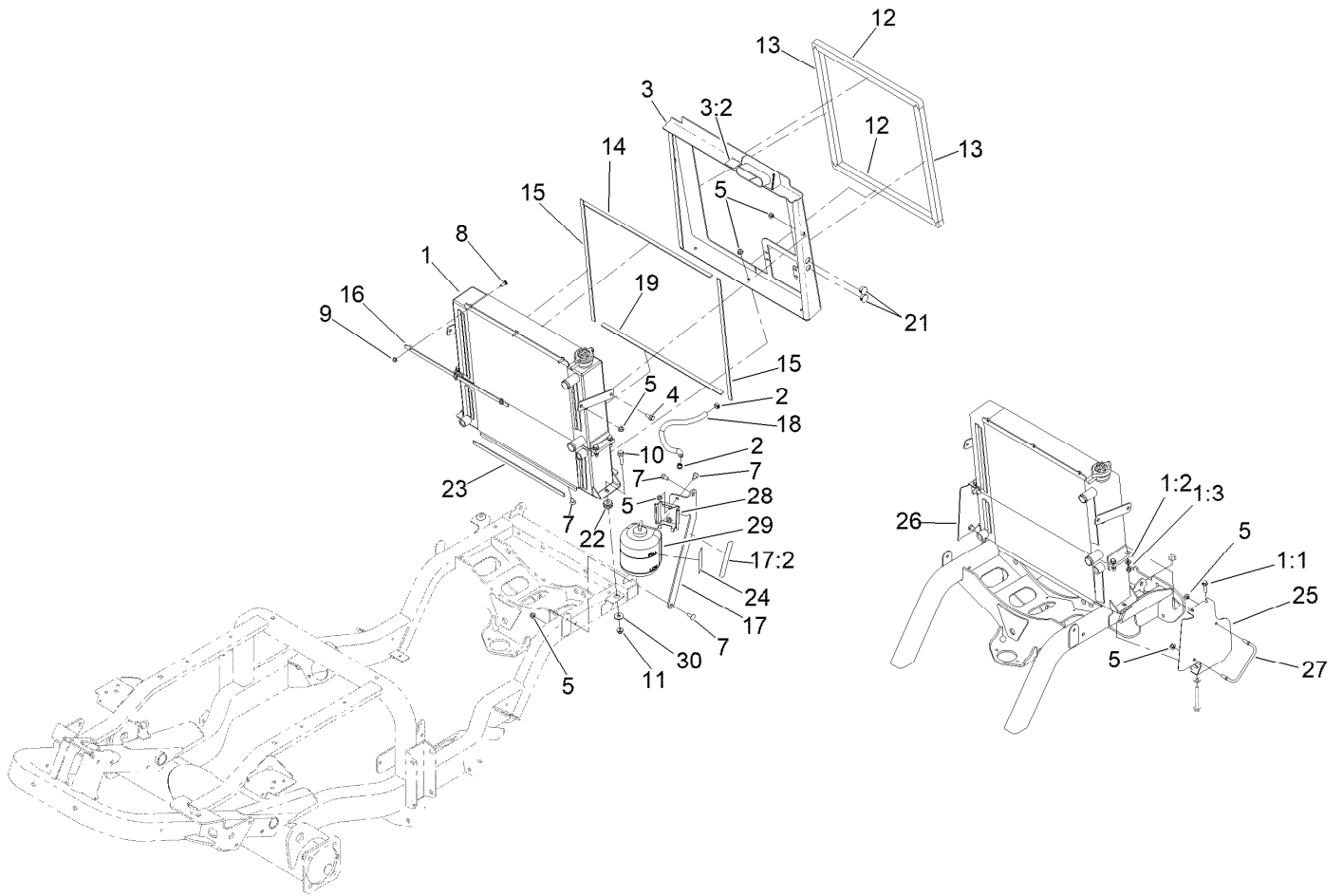


Steering/Lift Manifold Assembly No. 145-6080 (continued)

| Ref. | Part Number | Qty. | Description |
|------|-------------|------|-----------------------|
| 22:1 | 237-65 | 1 | O-Ring |
| 22:2 | 237-80 | 1 | O-Ring |
| 23 | 340-142 | 1 | Fitting-Elbow, 90 DEG |
| 23:1 | 237-58 | 1 | O-Ring |
| 23:2 | 237-81 | 1 | O-Ring |
| 24 | 340-17 | 1 | Fitting-Elbow, 90 DEG |
| 24:1 | 237-65 | 1 | O-Ring |

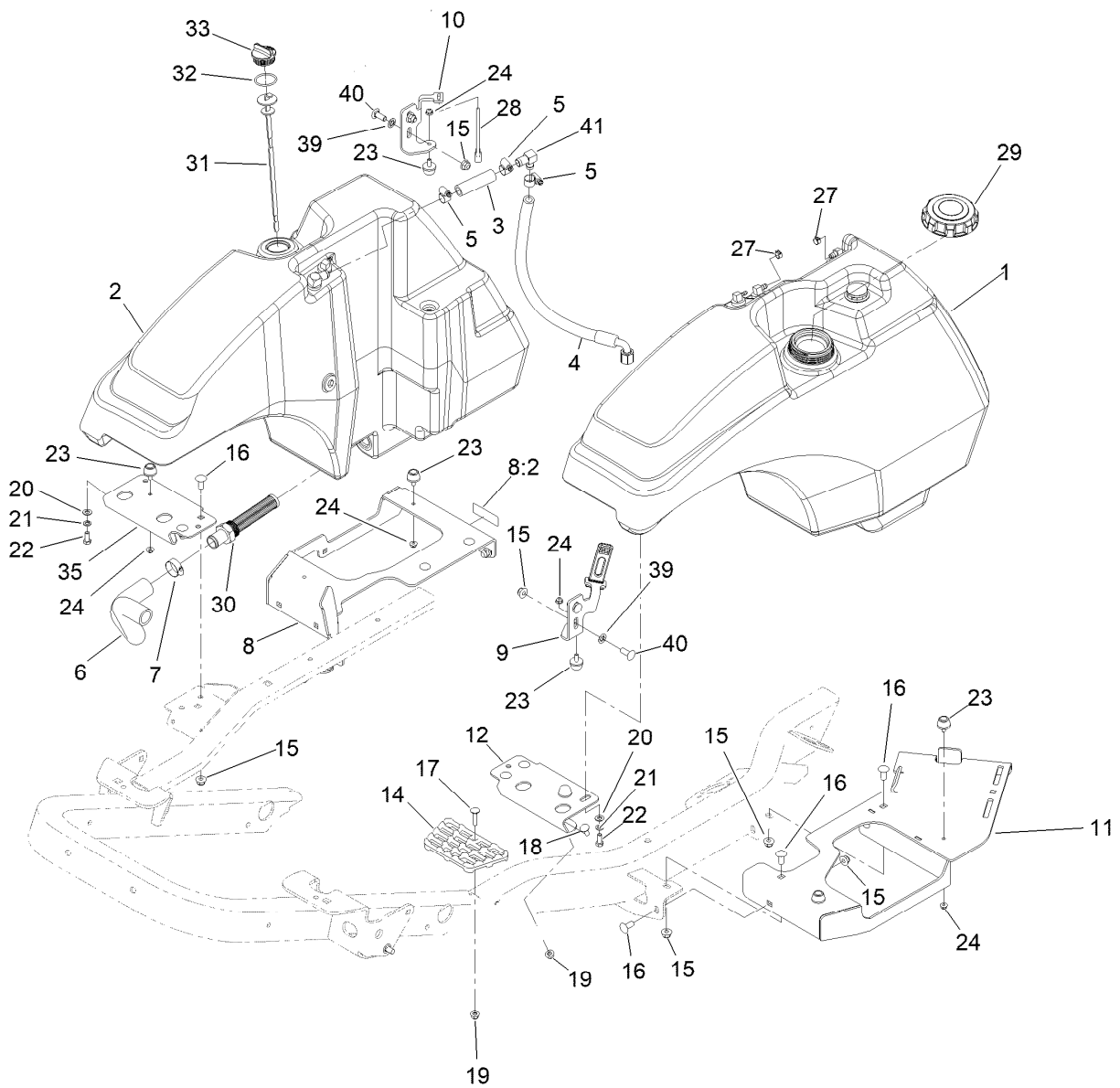
| Ref. | Part Number | Qty. | Description |
|------|-------------|------|-----------------------|
| 24:2 | 237-80 | 1 | O-Ring |
| 25 | 340-77 | 1 | Fitting-Elbow, 90 DEG |
| 25:1 | 237-22 | 1 | O-Ring |
| 25:2 | 237-42 | 1 | O-Ring |
| 26 | 353-989 | 2 | Plug-Hex, Hollow |
| 26:1 | 237-42 | 1 | O-Ring |

● Not illustrated



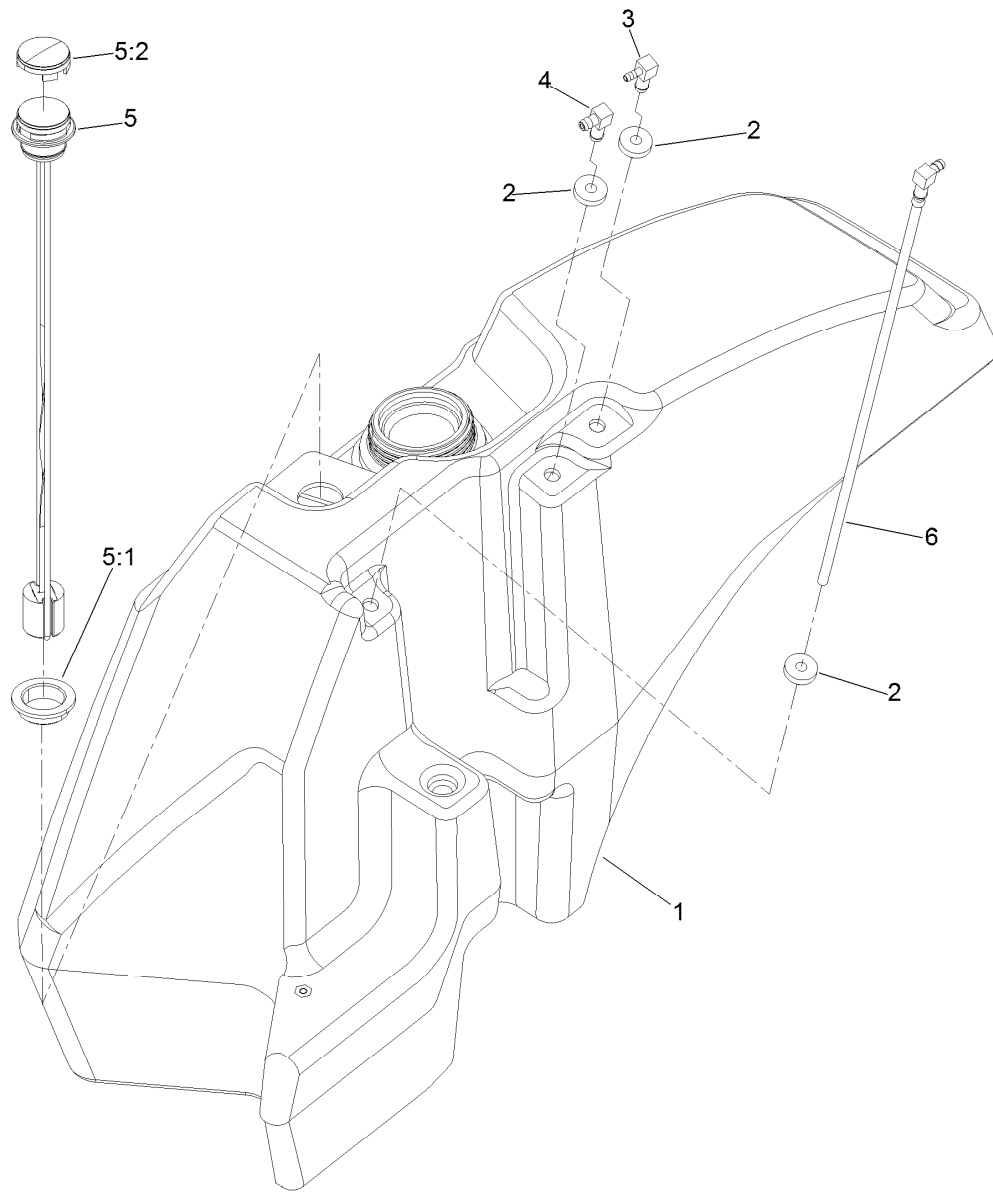
Radiator and Cooler Assembly

| <i>Ref.</i> | <i>Part Number</i> | <i>Qty.</i> | <i>Description</i> | <i>Ref.</i> | <i>Part Number</i> | <i>Qty.</i> | <i>Description</i> |
|-------------|--------------------|-------------|-------------------------|-------------|--------------------|-------------|---------------------------|
| 1 | 147-0062 | 1 | Radiator/Oil Cooler ASM | 15 | 138-4454 | 2 | Foam-Radiator, Side |
| 1:1 | 119-4036 | 4 | Screw-HHF | 16 | 138-4461-0P | 1 | Bracket-Shroud Retainer |
| 1:2 | 3256-23 | 4 | Washer-Plain | 17 | 139-6230 | 1 | Bracket-Bottle Mount |
| 1:3 | 137-3093 | 4 | Nut-Hex | 17:2 | 93-7272 | 1 | Decal-Warning |
| 2 | 92-2379 | 2 | Clamp-Hose | 18 | 106-1126 | 1 | Hose-Fuel |
| 3 | 139-6232 | 1 | Shroud-Cooler ASM | 19 | 108-1393 | 1 | Strip-Foam |
| 3:2 | 115-8155 | 1 | Decal-Warning | 21 | 130-8439 | 2 | Plug-Dome |
| 4 | 3234-47 | 2 | Screw-HHF | 22 | 63-9750 | 2 | Mount |
| 5 | 104-8300 | 15 | Nut-HF, NI | 23 | 130-9182 | 1 | Foam-Radiator, Short |
| 7 | 3230-23 | 9 | Bolt-CARR | 24 | 144-0472 | 1 | Decal-Coolant Level |
| 8 | 1-807512 | 3 | Bolt-CARR | 25 | 145-6059-03 | 1 | Bracket-Cooler Shroud, LH |
| 9 | 104-7201 | 3 | Nut-HF, NI | 26 | 145-6061-03 | 1 | Bracket-Cooler Shroud, RH |
| 10 | 114-4681 | 2 | Screw-HHF | 27 | 144-3905 | 2 | Guide-Hose |
| 11 | 104-8301 | 2 | Nut-HF, NI | 28 | 140-7165 | 1 | Bracket-Tank |
| 12 | 138-4410 | 2 | Seal-Foam | 29 | 140-7185RT01 | 1 | Tank ASM |
| 13 | 138-4411 | 2 | Seal-Foam | 30 | 52-2861 | 2 | Washer |
| 14 | 138-4453 | 1 | Foam-Radiator | | | | |



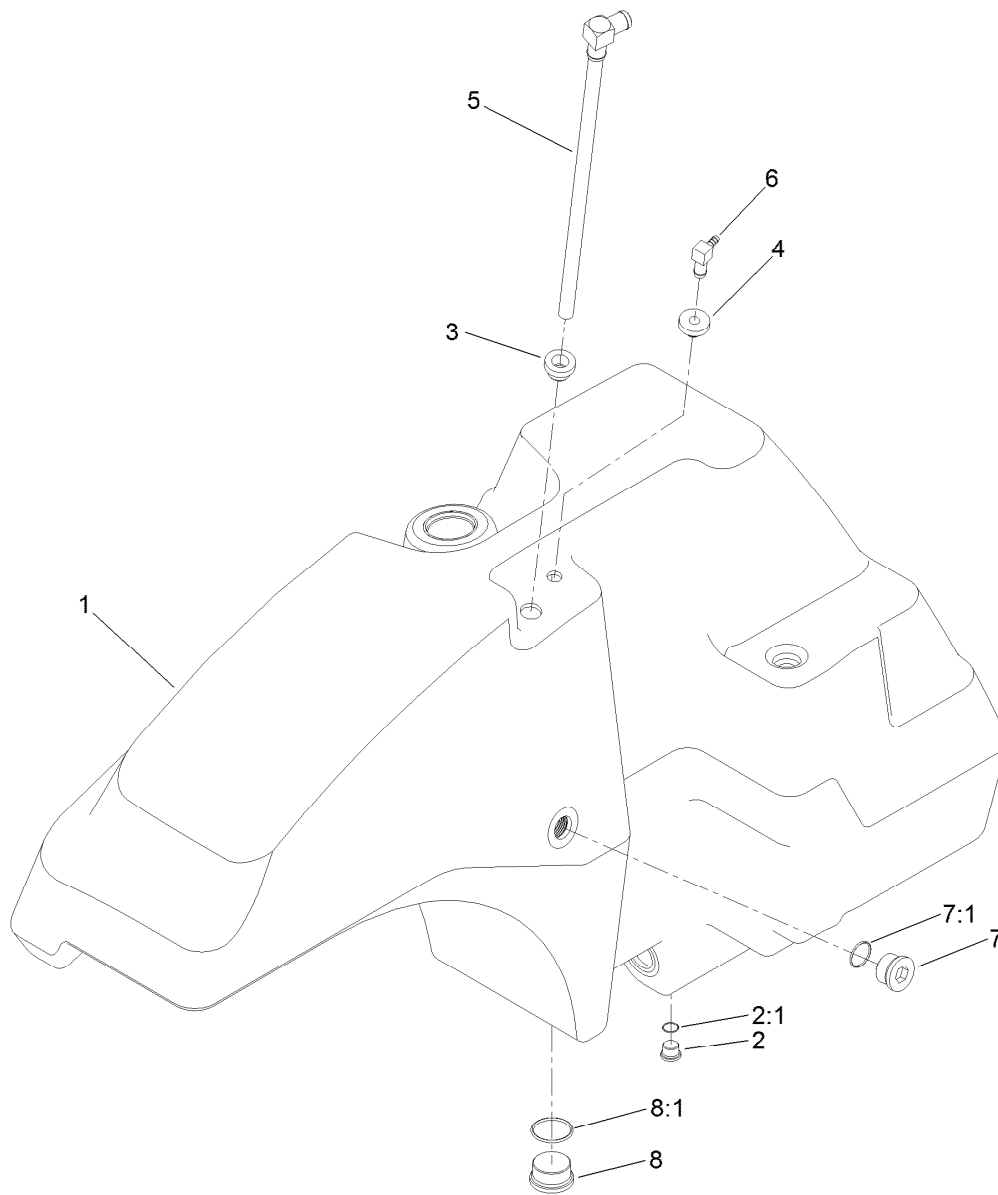
Fuel System Assembly

| Ref. | Part Number | Qty. | Description | Ref. | Part Number | Qty. | Description |
|------|-------------|------|------------------------------|------|-------------|------|------------------------------|
| 1 | 138-0291 | 1 | Fuel Tank | 18 | 3230-23 | 2 | Bolt-CARR |
| 2 | 138-4418 | 1 | Hydraulics Tank ASM | 19 | 104-8300 | 3 | Nut-HF, NI |
| 3 | 114-4920 | 1 | Hose | 20 | 3256-23 | 2 | Washer-Plain |
| 4 | 145-5933 | 1 | Hose ASM-Hydraulic | 21 | 3253-4 | 2 | Washer-Lock |
| 5 | 2412-119 | 3 | Clamp-Hose | 22 | 322-3 | 2 | Screw-HH |
| 6 | 138-7361 | 1 | Hose-Suction | 23 | 109-2365 | 8 | Bumper-Rubber |
| 7 | 2412-34 | 1 | Clamp-Hose | 24 | 104-7201 | 8 | Nut-HF, NI |
| 8 | 139-6228 | 1 | Tank Support-Hydraulic | 27 | 92-2379 | 2 | Clamp-Hose |
| 8:2 | 127-0392 | 1 | Decal-Hot Surface | 28 | 131-8402 | 2 | Strap-Down, Hold |
| 9 | 138-0441-03 | 1 | Bracket-Tank Hold Down, LH | 29 | 119-8266 | 1 | Cap-Fuel (Biodiesel) |
| 10 | 138-7315-03 | 1 | Bracket-Tank Hold Down, RH | 30 | 138-7499 | 1 | Fitting-Strainer |
| 11 | 138-4404-03 | 1 | Tray-Tank/Battery | 31 | 138-7388 | 1 | Dipstick |
| 12 | 138-7365-03 | 1 | Bracket-Tank Mount, Front LH | 32 | 94-8166 | 1 | O-Ring |
| 14 | 126-4781 | 1 | Step-Deck | 33 | 93-7498 | 1 | Plug-Plastic |
| 15 | 104-8301 | 19 | Nut-HF, NI | 35 | 139-0940-03 | 1 | Bracket-Tank Mount, Front RH |
| 16 | 3231-27 | 15 | Screw-CARR | 39 | 107-3154 | 6 | Nut-Push |
| 17 | 3230-3 | 1 | Screw-CARR | 40 | 3231-22 | 4 | Screw-CARR |
| | | | | 41 | 117-0943 | 1 | Fitting-Elbow |



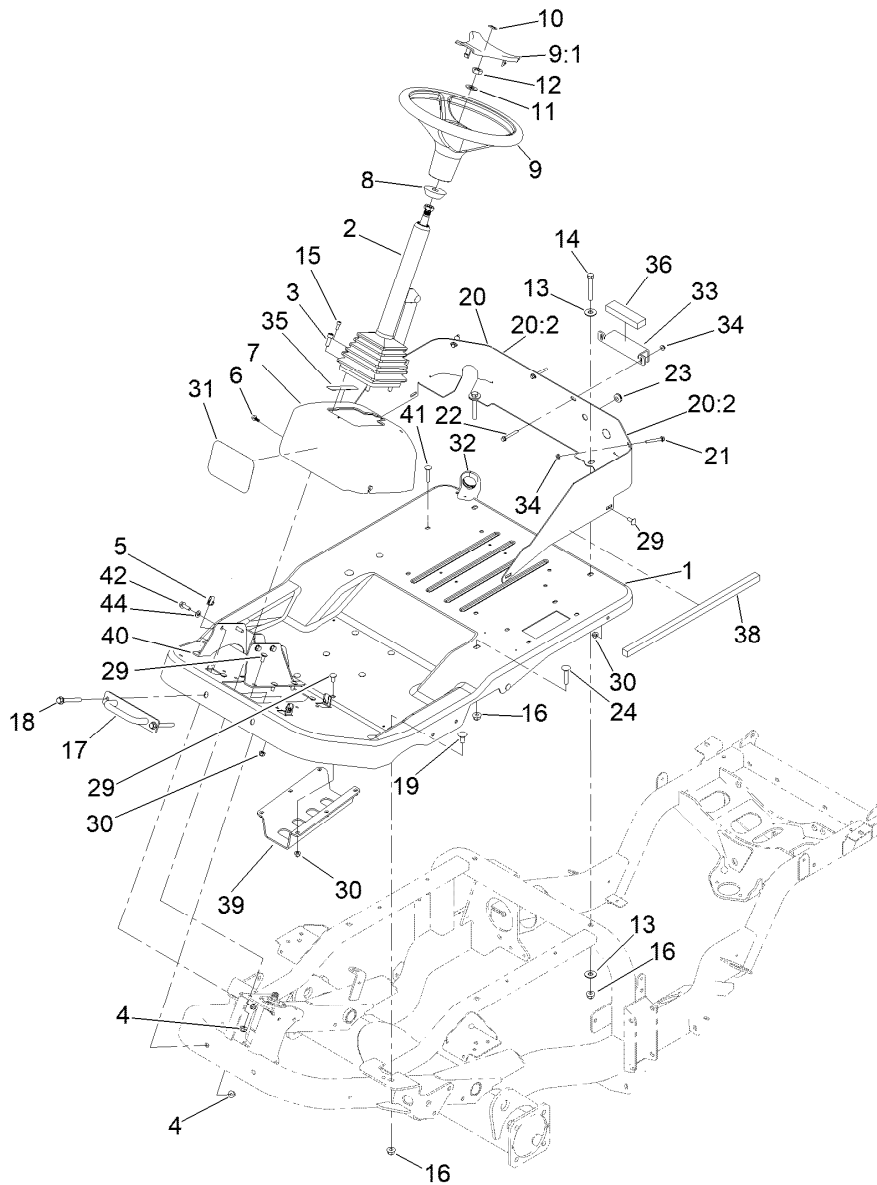
Fuel Tank Assembly No. 138-0291

| <i>Ref.</i> | <i>Part Number</i> | <i>Qty.</i> | <i>Description</i> |
|-------------|--------------------|-------------|-------------------------|
| 1 | 138-7385 | 1 | Fuel Tank W/Inserts ASM |
| 2 | 46-6560 | 3 | Bushing |
| 3 | 104-5228 | 1 | Fitting-Elbow, 90 DEG |
| 4 | 46-6550 | 1 | Fitting-Elbow, 90 DEG |
| 5 | 139-0872 | 1 | Gauge-Fuel |
| 5:1 | 119-0508 | 1 | Seal |
| 5:2 | 117-8404 | 1 | Dial-Gauge |
| 6 | 138-7389 | 1 | Pipe-Stand |



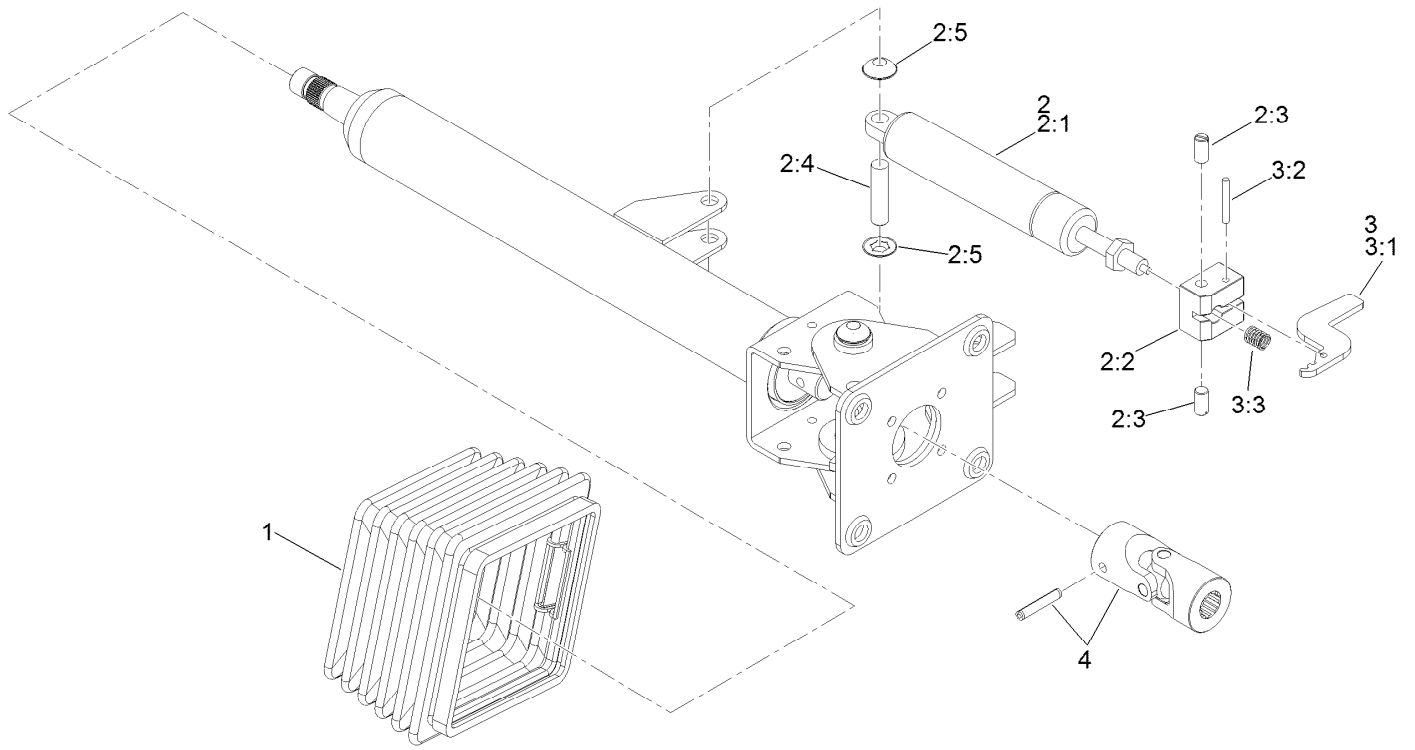
Hydraulic Tank Assembly No. 138-4418

| Ref. | Part Number | Qty. | Description |
|------|-------------|------|--------------------------|
| 1 | 138-7386 | 1 | Tank-Hydraulic W/Inserts |
| 2 | 353-989 | 1 | Plug-Hex, Hollow |
| 2:1 | 237-42 | 1 | O-Ring |
| 3 | 104-0790 | 1 | Bushing |
| 4 | 46-6560 | 1 | Bushing |
| 5 | 138-7384 | 1 | Tube-Drop |
| 6 | 104-5228 | 1 | Fitting-Elbow, 90 DEG |
| 7 | 139-6333 | 1 | Fitting-Plug |
| 7:1 | 237-81 | 1 | O-Ring |
| 8 | 105-3921 | 1 | Fitting-Plug |
| 8:1 | 237-146 | 1 | O-Ring |



Platform, Steering and Console Assembly

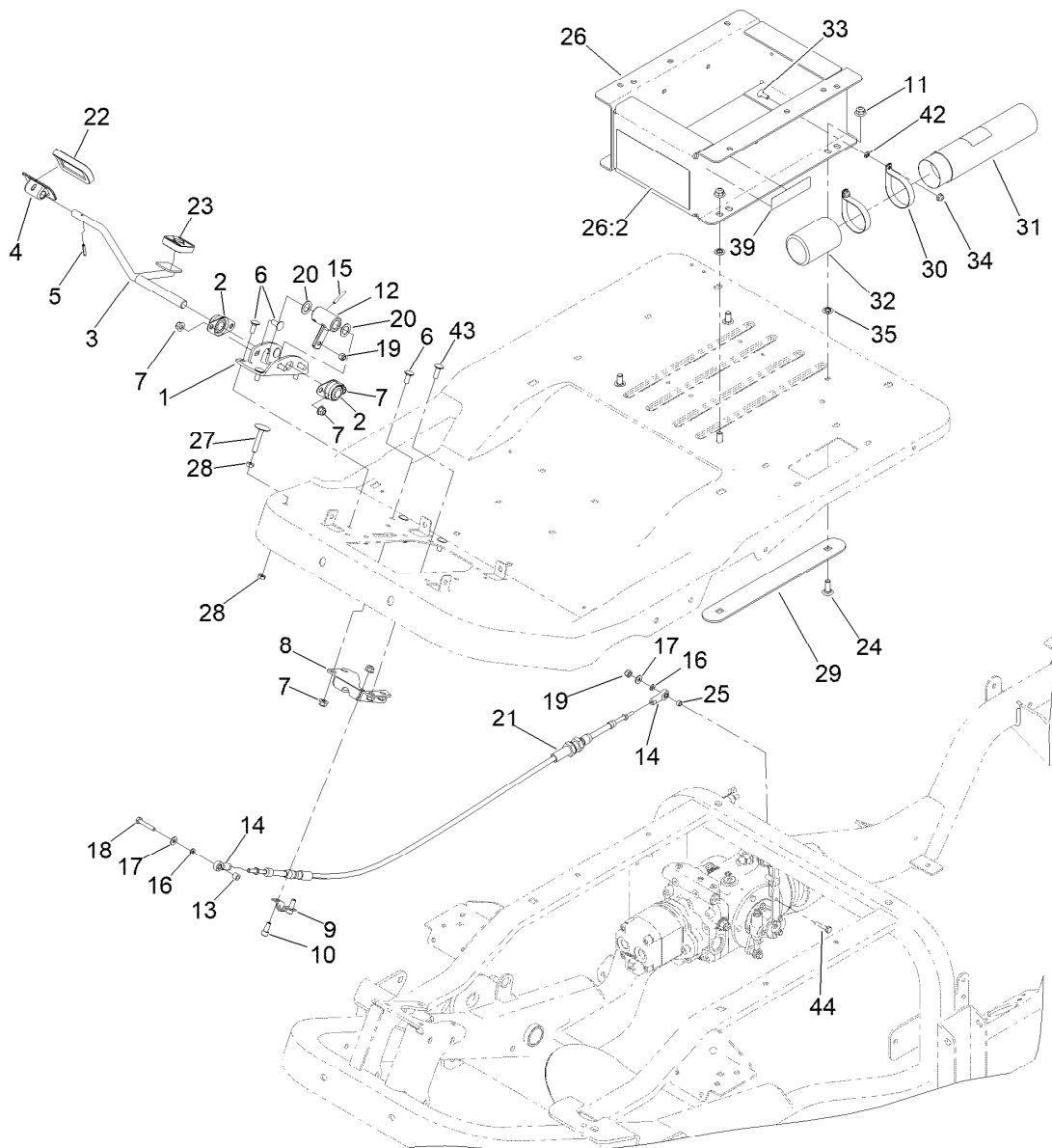
| Ref. | Part Number | Qty. | Description | Ref. | Part Number | Qty. | Description |
|------|-------------|------|-----------------------|------|-------------|------|---------------------------------|
| 1 | 144-4030SP | 1 | Platform-Stamped | 20:2 | 132-1316 | 2 | Decal-Danger, Belt |
| 2 | 139-0857 | 1 | Column-Steering, Tilt | 21 | 125-4287 | 2 | Screw-HHF |
| 3 | 3274-7 | 4 | Screw-HSH | 22 | 3234-34 | 2 | Screw-HHF |
| 4 | 104-8301 | 6 | Nut-HF, NI | 23 | 1-633630 | 1 | Grommet |
| 5 | 107069 | 4 | Clip | 24 | 3232-5 | 2 | Screw-CARR |
| 6 | 99-6810 | 4 | Screw-HHF | 29 | 3230-23 | 15 | Bolt-CARR |
| 7 | 138-7494 | 1 | Cover-Steering | 30 | 104-8300 | 21 | Nut-HF, NI |
| 8 | 93-5429 | 1 | Collar-Foam | 31 | 105-1217 | 1 | Decal |
| 9 | 98-1471 | 1 | Wheel-Steering | 32 | 144-0473 | 1 | Plug-Harness, Firewall |
| 9:1 | 98-1468 | 1 | Cover-Wheel, Steering | 33 | 139-2166-0P | 1 | Bracket-Hood Support |
| 10 | 98-1459 | 1 | Decal | 34 | 104-7201 | 4 | Nut-HF, NI |
| 11 | 3256-27 | 1 | Washer-Flat | 35 | 140-1460 | 1 | Decal-Traction Pedal |
| 12 | 3296-33 | 1 | Nut-Lock, NI | 36 | 139-6202 | 1 | Foam-Strip |
| 13 | 3256-40 | 4 | Washer-Flat | 38 | 139-6207 | 1 | Foam-Strip |
| 14 | 324-12 | 2 | Screw-HH | 39 | 144-3954-03 | 1 | Guard-Tubes, Hydraulic |
| 15 | 105-2409 | 4 | Screw-HSH | 40 | 145-5983-0P | 1 | Bracket-Steering Mount [primed] |
| 16 | 114-8417 | 6 | Nut-HF, NI | 41 | 116-0629 | 2 | Screw-CARR |
| 17 | 138-0288 | 1 | Bracket-Down, Tie | 42 | 3234-29 | 4 | Screw-HHF |
| 18 | 3234-41 | 2 | Screw-HHF | 44 | 3256-38 | 4 | Washer-Flat |
| 19 | 3232-1 | 2 | Screw-CARR | | | | |
| 20 | 144-0528 | 1 | Plate-Firewall, Lower | | | | |



Steering Column Assembly No. 139-0857

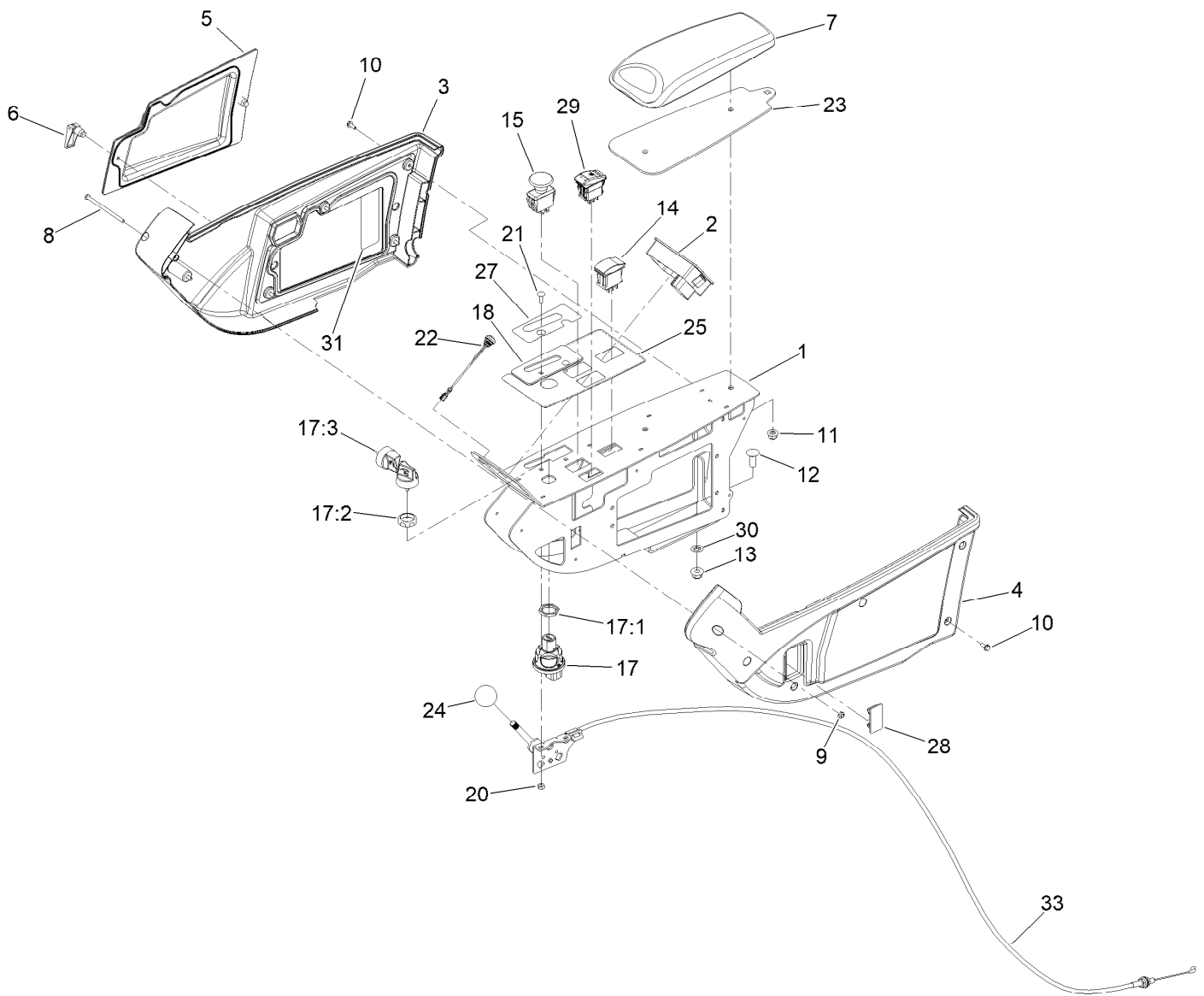
| Ref. | Part Number | Qty. | Description |
|------|-------------|------|----------------------|
| 1 | 110-6462 | 1 | Bellows-Rubber |
| 2 | 110-6463 | 1 | Cylinder Service Kit |
| 2:1 | | 1 | Cylinder-Gas ● |
| 2:2 | | 1 | Block-Pedal ● |
| 2:3 | | 2 | Bolt ● |
| 2:4 | | 1 | Pin ● |
| 2:5 | | 2 | Washer-Lock ● |
| 3 | 136-4385 | 1 | Pedal Service Kit |
| 3:1 | | 1 | Pedal ● |
| 3:2 | | 1 | Pin ● |
| 3:3 | | 1 | Spring ● |
| 4 | 120-6256 | 1 | Universal Joint Kit |

● Not serviced separately



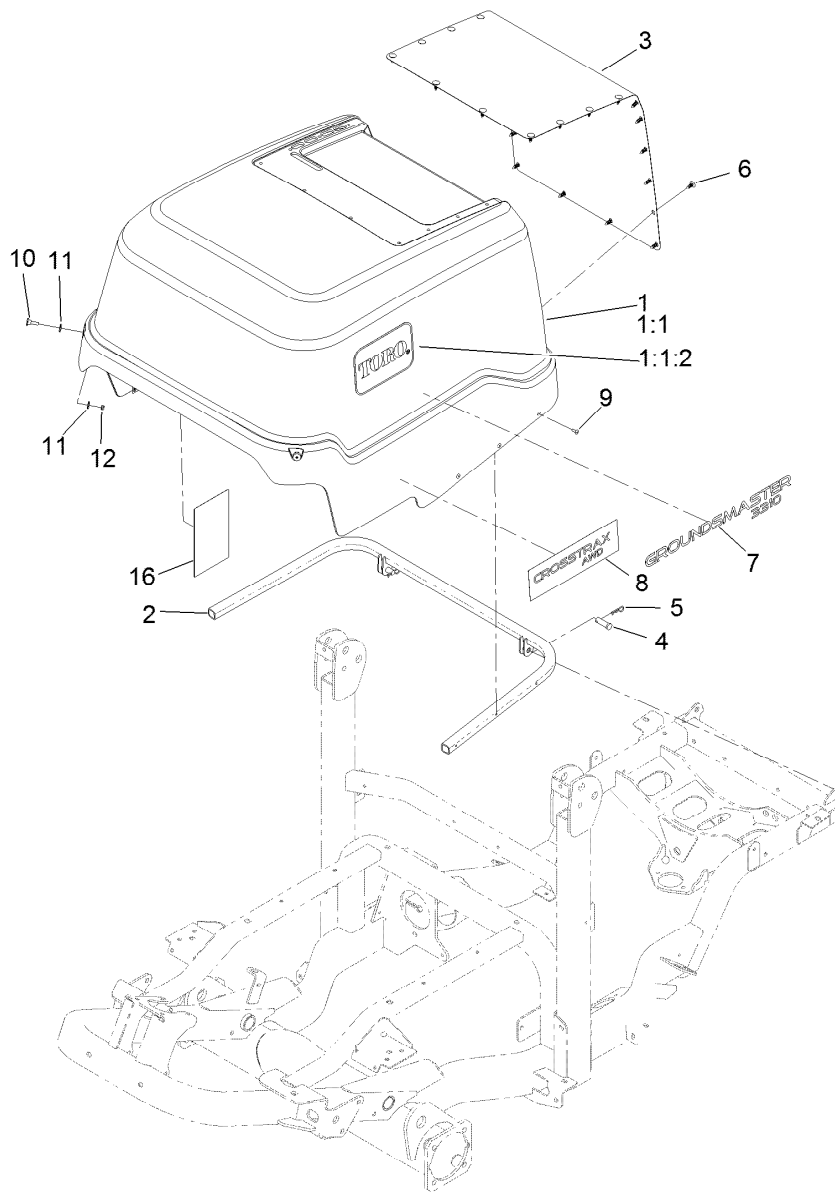
Pedal Assembly

| Ref. | Part Number | Qty. | Description | Ref. | Part Number | Qty. | Description |
|------|-------------|------|-------------------------|------|-------------|------|----------------------|
| 1 | 138-7477-01 | 1 | Bracket-Pedal, Traction | 21 | 145-6040 | 1 | Cable-ASM, Traction |
| 2 | 256-236 | 2 | Bearing-Mount, Flange | 22 | 74-9100 | 1 | Pad-Pedal, Forward |
| 3 | 138-4594 | 1 | Pedal-Traction | 23 | 74-9110 | 1 | Pad-Pedal, Reverse |
| 4 | 117-9507 | 1 | Pedal-Accelerator | 24 | 3231-22 | 4 | Screw-CARR |
| 5 | 32121-45 | 1 | Pin-Spring | 25 | 130-9691 | 1 | Spacer |
| 6 | 3230-23 | 11 | Bolt-CARR | 26 | 139-6221 | 1 | Seat Box ASM |
| 7 | 104-8300 | 14 | Nut-HF, NI | 26:2 | 139-6215 | 1 | Decal-Warning |
| 8 | 138-7446-01 | 1 | Bracket-Cable, Traction | 27 | 115-8240 | 1 | Screw-Elevator |
| 9 | 93-2092 | 1 | Clamp-Cable | 28 | 3218-2 | 2 | Nut-Hex Jam |
| 10 | 3274-10 | 2 | Screw-HSH | 29 | 138-7422-0P | 2 | Strip-Seat Mount |
| 11 | 104-8301 | 4 | Nut-HF, NI | 30 | 107-1865 | 2 | R-Clamp |
| 12 | 117-5199 | 1 | Hub-Pedal, Traction | 31 | 104-7050 | 1 | Tube-Manual |
| 13 | 66-8010 | 1 | Spacer | 32 | 104-7048 | 1 | Cap-Housing |
| 14 | 2411-41 | 2 | Rod End-Ball Joint | 33 | 1-807512 | 2 | Bolt-CARR |
| 15 | 32121-6 | 1 | Pin-Roll, Slotted | 34 | 104-7201 | 2 | Nut-HF, NI |
| 16 | 33093-00 | 2 | Washer-Flat | 35 | 107-3154 | 4 | Nut-Push |
| 17 | 3256-22 | 2 | Washer-Flat | 39 | 133-8062 | 1 | Decal-Spark Arrestor |
| 18 | 321-9 | 1 | Screw-HH | 42 | 32115-15 | 2 | Nut-Push |
| 19 | 3296-42 | 2 | Nut-Lock, NI | 43 | 3230-10 | 1 | Bolt-CARR |
| 20 | 137-2601 | 2 | Washer | 44 | 321-8 | 1 | Screw-HH |



Control Console Assembly

| <i>Ref.</i> | <i>Part Number</i> | <i>Qty.</i> | <i>Description</i> | <i>Ref.</i> | <i>Part Number</i> | <i>Qty.</i> | <i>Description</i> |
|-------------|--------------------|-------------|---------------------------------|-------------|--------------------|-------------|-------------------------------|
| 1 | 133-6406-03 | 1 | Panel | 17:1 | 121-5160 | 1 | Nut-Hex |
| 2 | 132-9751 | 1 | Tdm 2001 | 17:2 | 122-2704 | 1 | Nut-Face, M22 (Plastic) |
| 3 | 108-7605 | 1 | Cover-RH | 17:3 | 121-5162 | 1 | Set-Key, Ignition |
| 4 | 108-7604 | 1 | Cover-LH | 18 | 137-2510 | 1 | Cover-Throttle, Lever |
| 5 | 108-7616 | 1 | Panel-Access | 20 | 3296-2 | 2 | Nut-Lock, NI |
| 6 | 74-5950 | 2 | Latch-Swell | 21 | 1-807533 | 2 | Bolt-CARR |
| 7 | 131-9637 | 1 | Armrest-Quick Find | 22 | 136-9678 | 1 | Switch-Pushbutton |
| 8 | 3250-22 | 1 | Screw-PPH | 23 | 138-4548-03 | 1 | Plate-Spacer, Console Pad |
| 9 | 3296-12 | 1 | Nut-Lock, NI | 24 | 1-603175 | 1 | Knob-Ball |
| 10 | 32144-112 | 10 | Screw-HWH | 25 | 138-7471 | 1 | Decal-Console |
| 11 | 104-8300 | 2 | Nut-HF, NI | 27 | 138-7473 | 1 | Decal-Throttle |
| 12 | 3231-22 | 2 | Screw-CARR | 28 | 99-7420 | 1 | Plug-Hole |
| 13 | 104-8301 | 2 | Nut-HF, NI | 29 | 110-0811 | 1 | Switch-Rocker On-None-(On) |
| 14 | 100-1535 | 1 | Switch-Rocker, (On)-Off-(On) | 30 | 107-3154 | 2 | Nut-Push |
| 15 | 93-9999 | 1 | Switch-PTO | 31 | 140-3125 | 1 | Decal-Fuse |
| 17 | 121-5159 | 1 | Switch-Ignition | 33 | 139-6266 | 1 | Cable-Throttle |

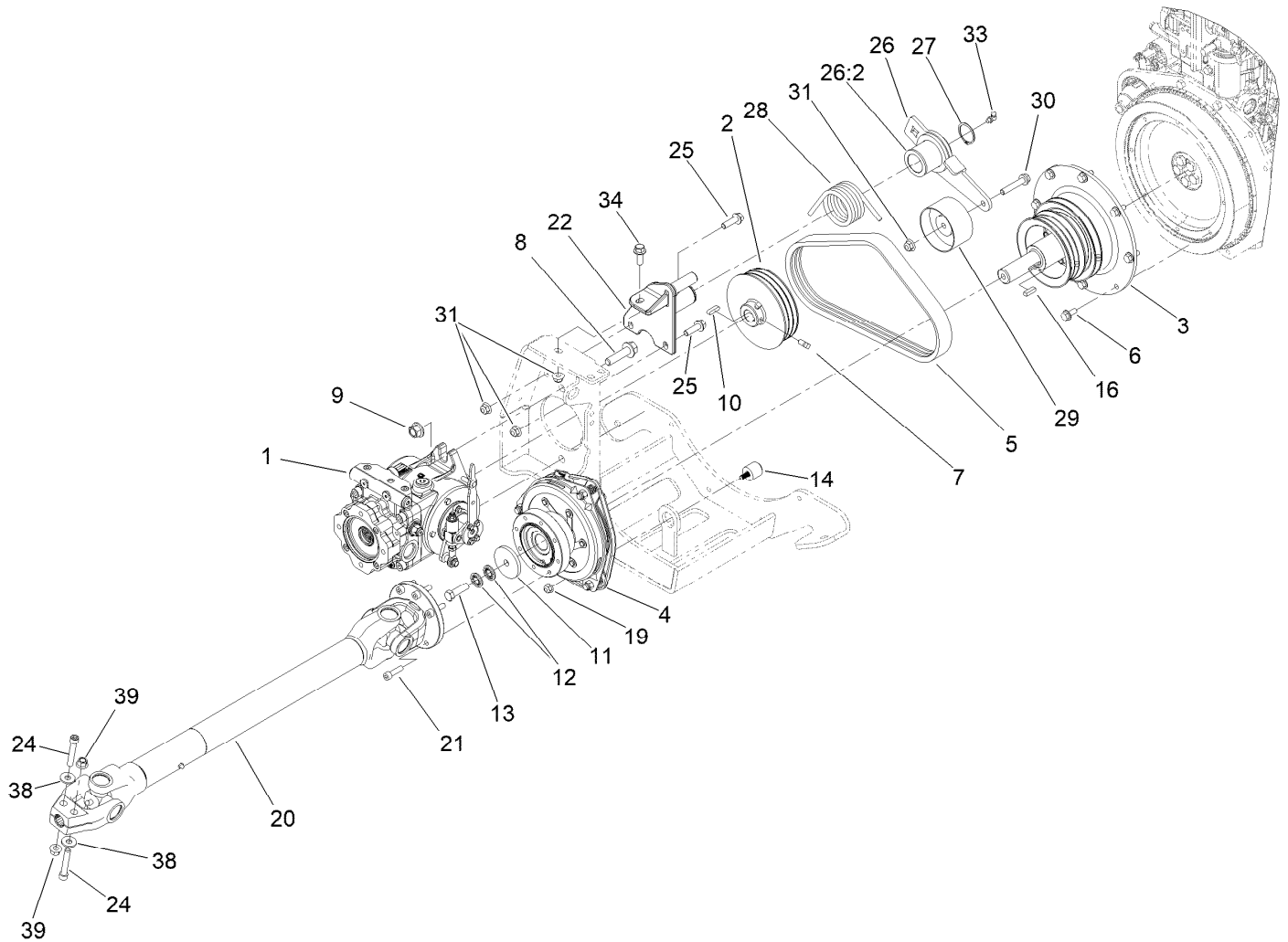


Hood Assembly

| Ref. | Part Number | Qty. | Description | Ref. | Part Number | Qty. | Description |
|-------|-------------|------|-------------------------|------|-------------|------|------------------------------------|
| 1 | 138-7330SP | 1 | Hood | 6 | 117-2382 | 24 | Plug-Plastic |
| 1:1 | | 1 | Hood ASM ■ | 7 | 139-6153 | 2 | Decal-Identification |
| 1:1:2 | 62-7400 | 2 | Decal-Toro Logo | 8 | 110-8859 | 2 | Decal |
| 1:2 | 139-6225 | 1 | Tape-Heat, Hood Front ● | 9 | 114439 | 10 | Rivet-Blind |
| 1:3 | 139-6226 | 1 | Tape-Heat, Hood Rear ● | 10 | 139-0855 | 2 | Screw-Countersunk, Oval |
| 1:4 | 139-6227 | 1 | Tape-Heat, Hood Side ● | 11 | 3256-2 | 4 | Washer-Flat |
| 2 | 138-7331-03 | 1 | Support-Hood | 12 | 3296-56 | 2 | Nut-Lock, NI |
| 3 | 138-7474-03 | 1 | Screen-Cooler | 16 | 144-3950 | 1 | Decal-Service, Gm 3300/3310 Row |
| 4 | 283-68 | 2 | Pin-Clevis | | | | |
| 5 | 3290-467 | 2 | Pin-Hair | | | | |

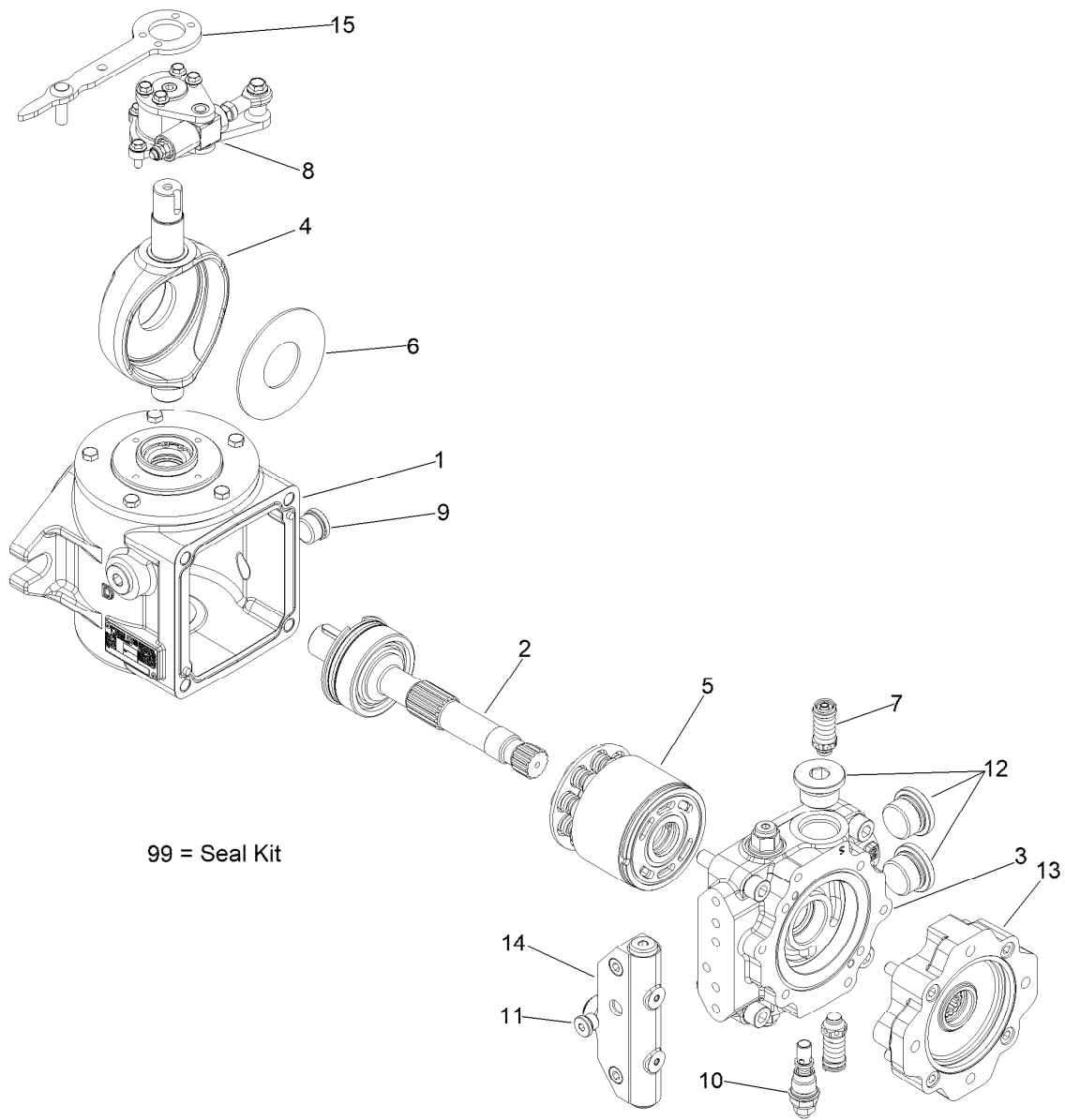
● Not illustrated

■ Not serviced separately



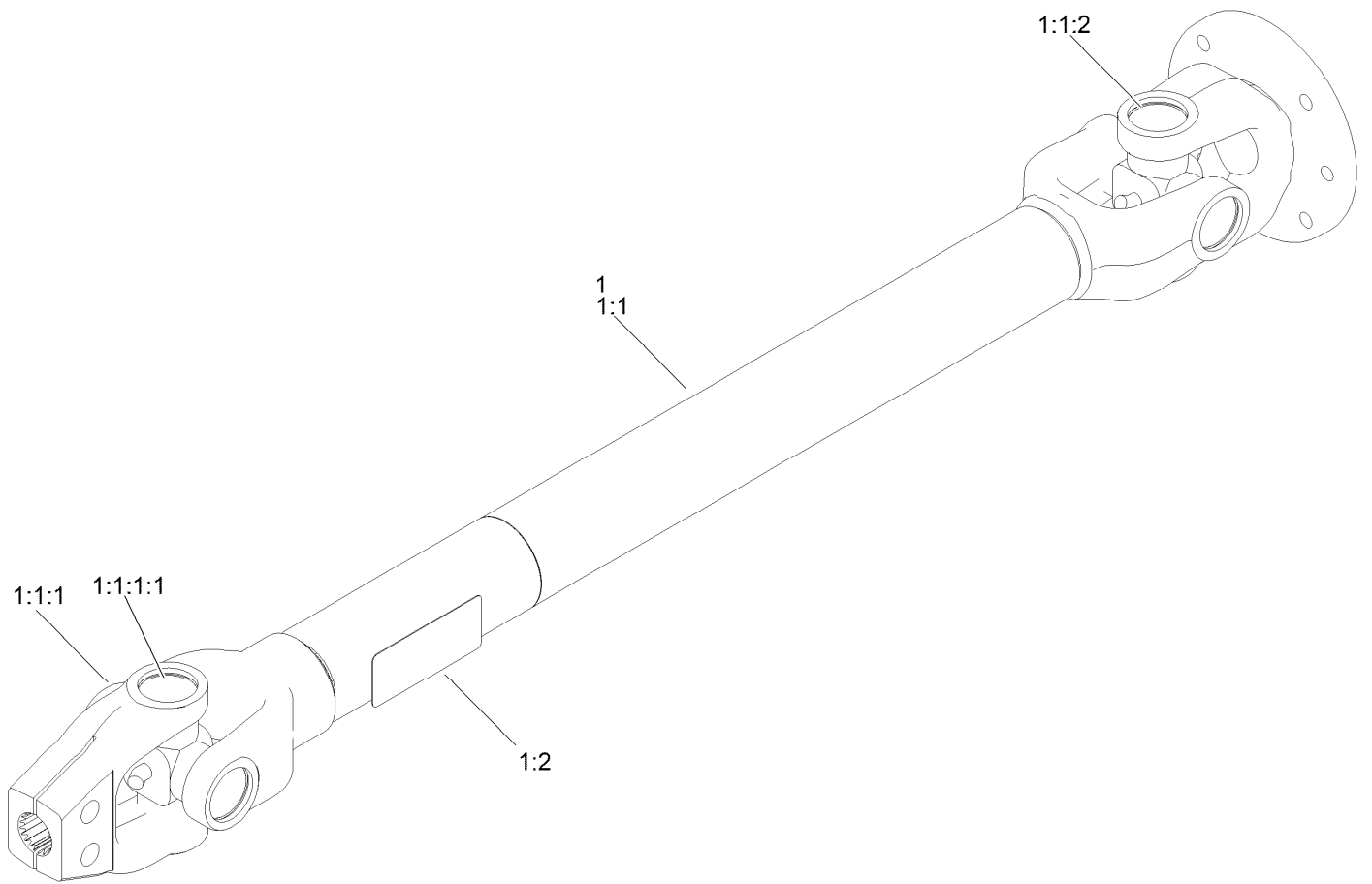
Pump, Driveshaft and Clutch Assembly

| Ref. | Part Number | Qty. | Description | Ref. | Part Number | Qty. | Description |
|------|-------------|------|---------------------------|------|-------------|------|------------------------|
| 1 | 145-5940 | 1 | Pump-Bondioli | 20 | 144-0521SP | 1 | Driveshaft ASM |
| 2 | 145-6044 | 1 | Pulley-3/3V | 21 | 144-0452 | 6 | Screw-HSH, Patch |
| 3 | 147-0050 | 1 | Stubshaft-3/3V | 22 | 140-6200 | 1 | Idler Pivot (Mach) |
| 4 | 145-5987 | 1 | Clutch-Gt5 W/Integral Con | 24 | 131-8591 | 2 | Screw-HSH |
| 5 | 139-6259 | 1 | Belt-3/3V | 25 | 119-4061 | 2 | Screw-HHF |
| 6 | 138-0690 | 8 | Screw-HH | 26 | 140-6179 | 1 | Idler Arm ASM |
| 7 | 1-803022 | 2 | Screw-Set | 26:2 | 93-4510 | 2 | Bushing-Caster |
| 8 | 133-0041 | 2 | Screw-HF | 27 | 32120-84 | 1 | Ring-Snap, External |
| 9 | 99-5107 | 2 | Nut-Lock | 28 | 140-3102 | 1 | Spring-Torsion |
| 10 | 94-3645 | 1 | Key | 29 | 144-3904 | 1 | Pulley-Tensioner |
| 11 | 139-6238 | 1 | Washer | 30 | 108-3742 | 1 | Screw-HHF |
| 12 | 1-603610 | 2 | Washer-Spring | 31 | 104-8301 | 4 | Nut-HF, NI |
| 13 | 109-9761 | 1 | Screw-HH | 33 | 302-40 | 1 | Fitting-Grease, 90 DEG |
| 14 | 147-0060 | 1 | Bumper | 34 | 3234-42 | 1 | Screw-HHF |
| 16 | 10-7070 | 1 | Key-Square | 38 | 80-6990 | 2 | Washer-Hardened |
| 19 | 104-8300 | 2 | Nut-HF, NI | 39 | 32128-36 | 2 | Nut-HF |



Pump Assembly No. 145-5940

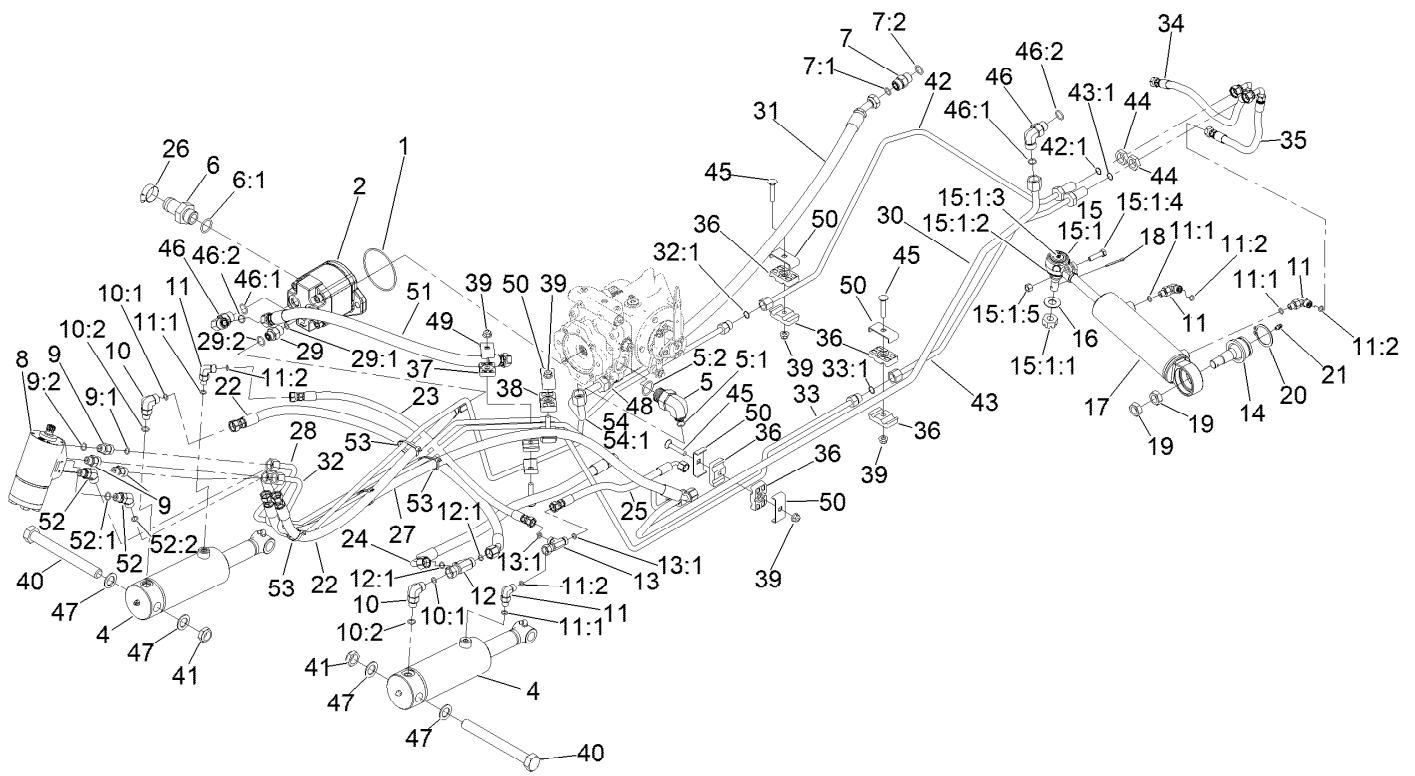
| <i>Ref.</i> | <i>Part Number</i> | <i>Qty.</i> | <i>Description</i> | <i>Ref.</i> | <i>Part Number</i> | <i>Qty.</i> | <i>Description</i> |
|-------------|--------------------|-------------|---------------------|-------------|--------------------|-------------|------------------------|
| 1 | 147-0161 | 1 | Housing-Pump | 9 | 147-0169 | 1 | Cap-Seal |
| 2 | 147-0162 | 1 | Shaft ASM | 10 | 147-0170 | 1 | Valve-Relief 10-15 Bar |
| 3 | 147-0163 | 1 | Valve Body | 11 | 147-0171 | 1 | Plug, 7/16"-20 Unf |
| 4 | 147-0164 | 1 | Plate-Swash | 12 | 147-0172 | 1 | Plug, 1-1/16"-12 Unf |
| 5 | 147-0165 | 1 | Rotating Assembly | 13 | 147-0173 | 1 | Pump-Endcap |
| 6 | 147-0166 | 1 | Plate-Swash, Insert | 14 | 147-0174 | 1 | Exchange Valve ASM |
| 7 | 147-0167 | 1 | Valve, 250 Bar | 15 | 147-0175 | 1 | Lever-Control |
| 8 | 147-0168 | 1 | Spring ASM, Return | 99 | 147-0176 | 1 | Kit-Seal |



Driveshaft Assembly No. 144-0521SP

| Ref. | Part Number | Qty. | Description |
|---------|-------------|------|----------------------------|
| 1 | | 1 | Driveshaft ASM ● |
| 1:1 | | 1 | Shaft-Drive, Jdl ● |
| 1:1:1 | 144-0519 | 1 | Yoke-Splined W/Cross Joint |
| 1:1:1:1 | 144-0550 | 1 | Bearing-Cross Joint |
| 1:1:2 | 144-0550 | 1 | Bearing-Cross Joint |
| 1:2 | 139-6304 | 1 | Decal-Danger, Entanglement |

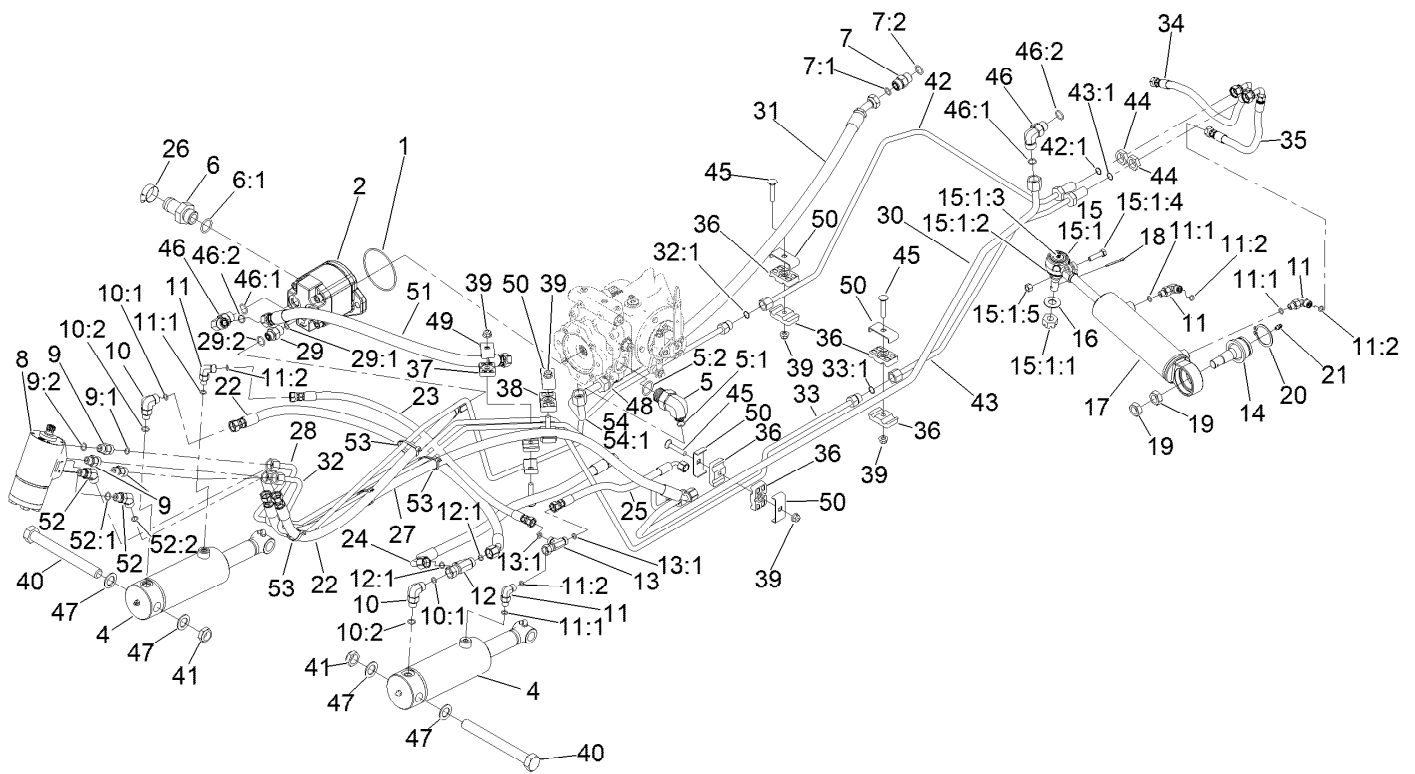
● Not serviced separately



Hydraulic Assembly

| Ref. | Part Number | Qty. | Description | Ref. | Part Number | Qty. | Description |
|------|-------------|------|-----------------------|--------|-------------|------|-----------------------|
| 1 | 237-161 | 1 | O-Ring | 11 | 340-132 | 4 | Fitting-Elbow, 90 DEG |
| 2 | 147-5115 | 1 | Pump-Gear | 11:1 | 237-78 | 1 | O-Ring |
| 4 | 139-0854 | 2 | Cylinder-Hydraulic | 11:2 | 237-21 | 1 | O-Ring |
| 5 | 340-131 | 1 | Fitting-HYD, 90 DEG | 12 | 340-115 | 1 | Fitting-Tee |
| 5:1 | 237-30 | 1 | O-Ring | 12:1 | 237-22 | 2 | O-Ring |
| 5:2 | 237-81 | 1 | O-Ring | 13 | 340-151 | 1 | Fitting-Tee |
| 6 | 99-3017 | 1 | Fitting | 13:1 | 237-21 | 2 | O-Ring |
| 6:1 | 237-81 | 1 | O-Ring | 14 | 106-6774 | 1 | Joint-Ball |
| 7 | 340-4 | 1 | Fitting-Straight | 15 | 106-6895-03 | 1 | Ball Joint ASM |
| 7:1 | 237-30 | 1 | O-Ring | 15:1 | | 1 | Joint-Ball ● |
| 7:2 | 237-79 | 1 | O-Ring | 15:1:1 | 32136-13 | 1 | Nut-SHH |
| 8 | 114-8119 | 1 | Steering Valve ASM | 15:1:2 | 106-6896 | 1 | Seal |
| 9 | 340-2 | 3 | Fitting-Straight | 15:1:3 | 302-5 | 1 | Fitting-Grease |
| 9:1 | 237-22 | 1 | O-Ring | 15:1:4 | 3210-7 | 1 | Screw-HH |
| 9:2 | 237-42 | 1 | O-Ring | 15:1:5 | 32152-5 | 1 | Nut-Hex |
| 10 | 340-77 | 2 | Fitting-Elbow, 90 DEG | 16 | 69-8980 | 1 | Washer |
| 10:1 | 237-22 | 1 | O-Ring | 17 | 139-6277 | 1 | Steering Cylinder |
| 10:2 | 237-42 | 1 | O-Ring | 18 | 3272-12 | 1 | Pin-Cotter |

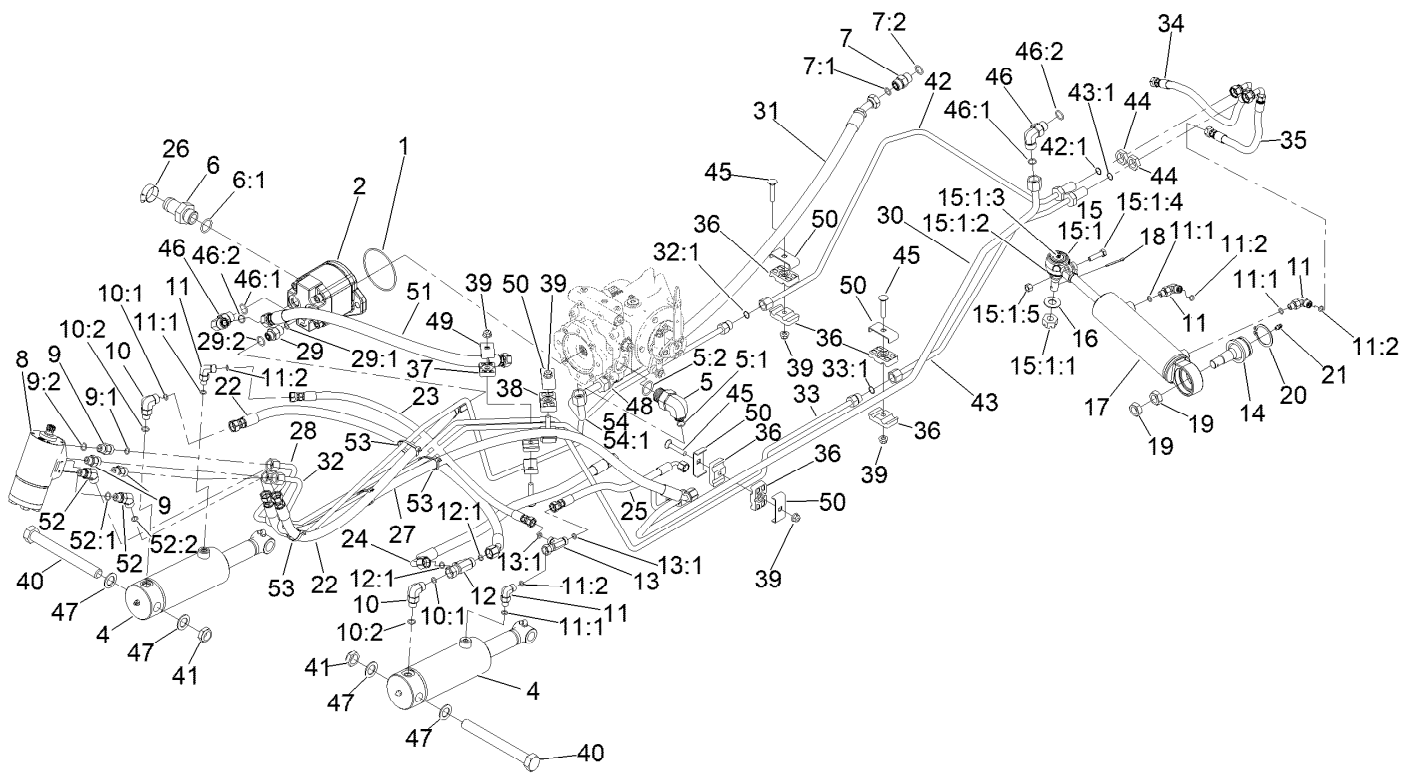
● Not serviced separately



Hydraulic Assembly (continued)

| Ref. | Part Number | Qty. | Description | Ref. | Part Number | Qty. | Description |
|------|--------------|------|--------------------------|------|-------------|------|-----------------------|
| 19 | 3220-6 | 2 | Nut-Jam | 33 | 145-5930 | 1 | Hydraulic Tube ASM |
| 20 | 32151-104 | 1 | Ring-Retaining, External | 33:1 | 237-22 | 1 | O-Ring |
| 21 | 302-5 | 1 | Fitting-Grease | 34 | 115-0383 | 1 | Hose ASM |
| 22 | 137-5844 | 2 | Hose ASM | 35 | 137-2584 | 1 | Hose ASM |
| 22 | 137-5844RT03 | 1 | Hose ASM | 36 | 56-7972 | 6 | Clamp-Tube |
| 23 | 137-5845 | 1 | Hose ASM | 37 | 56-7973 | 2 | Clamp-Tube |
| 24 | 137-5846 | 1 | Hose ASM | 38 | 56-7970 | 2 | Clamp-Tube |
| 25 | 137-5847 | 1 | Hose ASM | 39 | 104-8300 | 5 | Nut-HF, NI |
| 26 | 2412-34 | 1 | Clamp-Hose | 40 | 328-23 | 2 | Screw-HH |
| 27 | 140-3097 | 1 | Hose ASM | 41 | HDW02059 | 2 | Nut-Hex |
| 28 | 138-0331 | 1 | Hydraulic Tube ASM | 42 | 138-0343 | 1 | Hydraulic Tube ASM |
| 29 | 340-3 | 1 | Fitting-Straight | 42:1 | 237-22 | 1 | O-Ring |
| 29:1 | 237-22 | 1 | O-Ring | 43 | 138-0344 | 1 | Hydraulic Tube ASM |
| 29:2 | 237-79 | 1 | O-Ring | 43:1 | 237-22 | 1 | O-Ring |
| 30 | 138-7448 | 1 | Hydraulic Tube ASM | 44 | 340-70 | 2 | Nut-Lock |
| 31 | 145-5934 | 1 | Hose ASM-Hydraulic | 45 | 3230-5 | 5 | Bolt-CARR |
| 32 | 145-5959 | 1 | Hydraulic Tube ASM | 46 | 340-98 | 2 | Fitting-Elbow, 90 DEG |
| 32:1 | 237-22 | 1 | O-Ring | 46:1 | 237-79 | 1 | O-Ring |

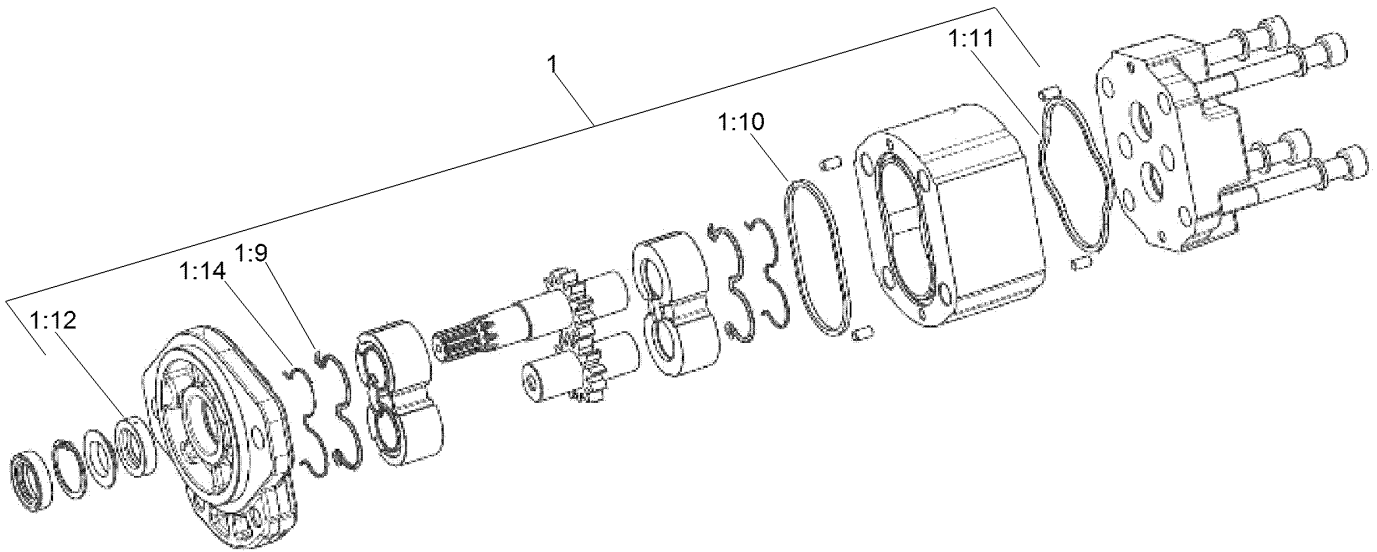
● Not serviced separately



Hydraulic Assembly (continued)

| <i>Ref.</i> | <i>Part Number</i> | <i>Qty.</i> | <i>Description</i> | <i>Ref.</i> | <i>Part Number</i> | <i>Qty.</i> | <i>Description</i> |
|-------------|--------------------|-------------|--------------------|-------------|--------------------|-------------|-----------------------|
| 46:2 | 237-30 | 1 | O-Ring | 52 | 340-87 | 2 | Fitting-Elbow, 45 DEG |
| 47 | 126-7888 | 4 | Washer-Nylon | 52:1 | 237-22 | 1 | O-Ring |
| 48 | 340-127 | 1 | Nut-Bulkhead | 52:2 | 237-42 | 1 | O-Ring |
| 49 | 119-1418 | 2 | Plate-Clamp, Short | 53 | 3290-378 | 4 | Tie-Cable |
| 50 | 119-1419 | 6 | Plate-Clamp | 54 | 145-5945 | 1 | Hydraulic Tube ASM |
| 51 | 145-5931 | 1 | Hose ASM-Hydraulic | 54:1 | 237-30 | 1 | O-Ring |

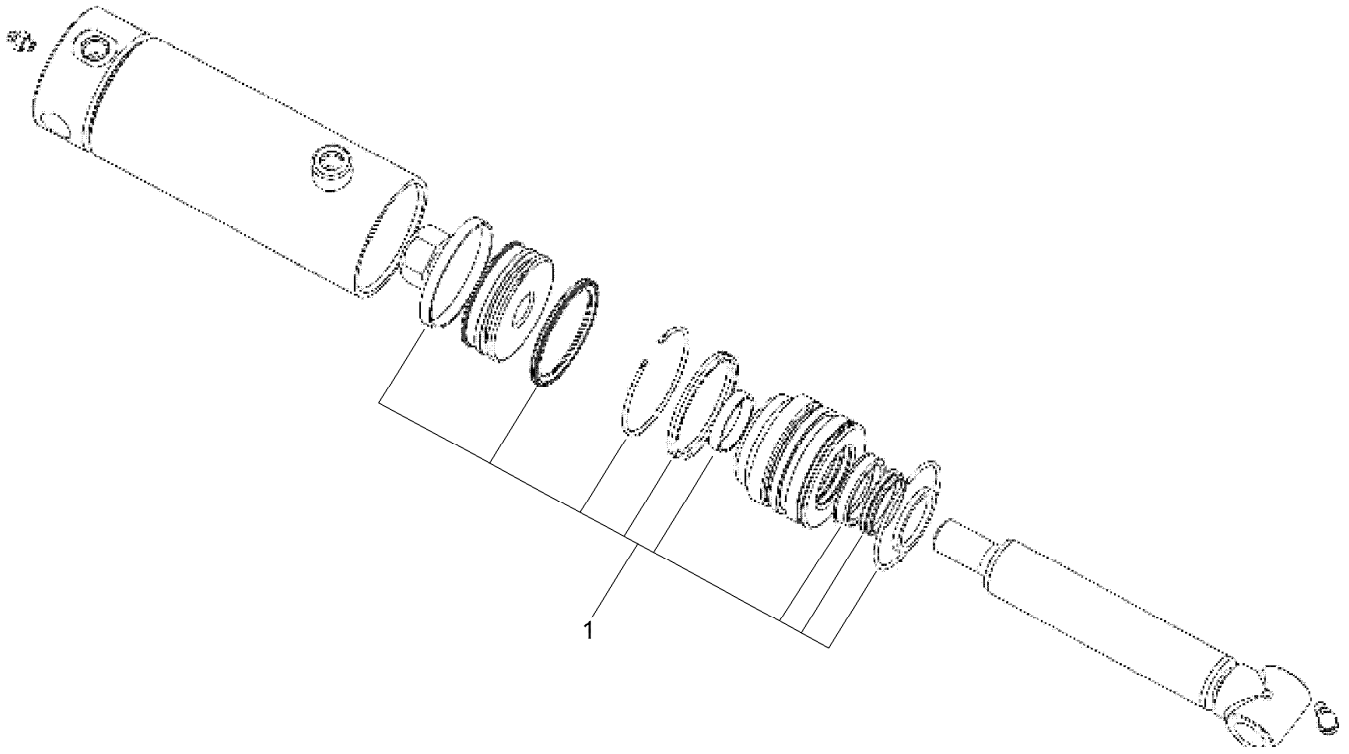
● Not serviced separately



Gear Pump Assembly No. 147-5115

| <i>Ref.</i> | <i>Part Number</i> | <i>Qty.</i> | <i>Description</i> |
|-------------|--------------------|-------------|--------------------|
| 1 | 139-6299 | 1 | Kit-Seal |
| 1:9 | | 1 | Seal ● |
| 1:10 | | 1 | Seal-Standard ● |
| 1:11 | | 1 | Seal-Square ● |
| 1:12 | | 1 | Seal-Shaft ● |
| 1:14 | | 1 | Anti Extrusion ● |

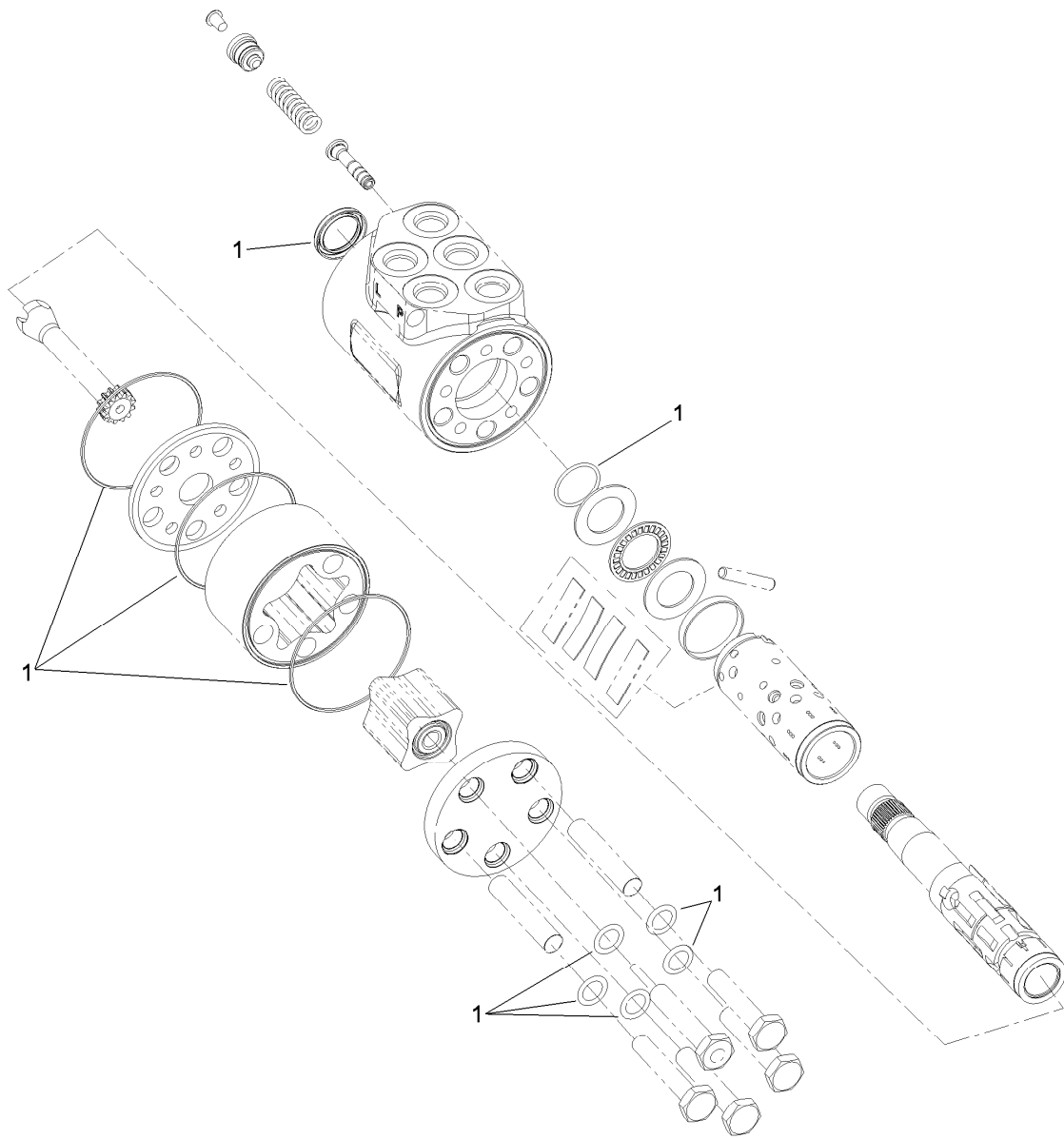
● Not serviced separately



Hydraulic Cylinder No. 139-0854

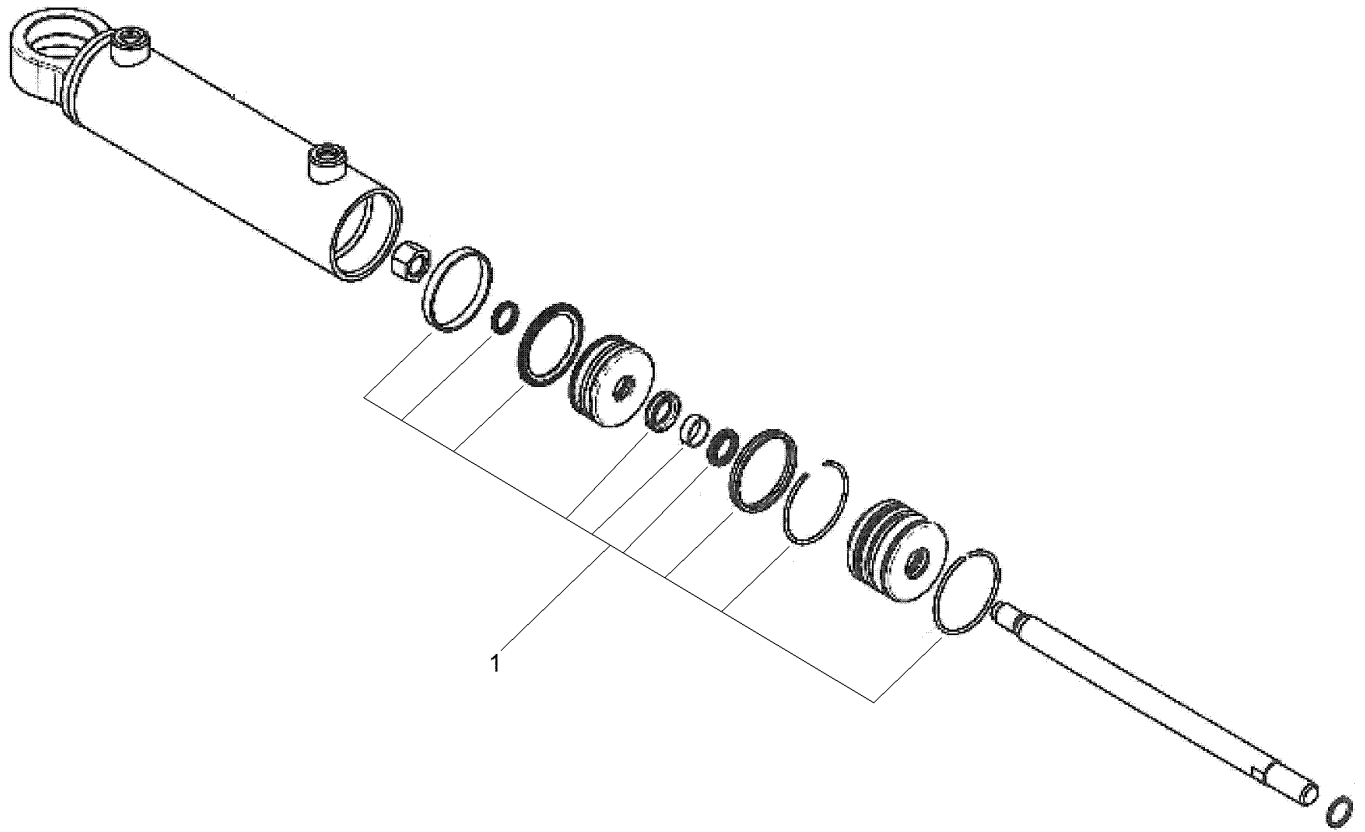
| <i>Ref.</i> | <i>Part Number</i> | <i>Qty.</i> | <i>Description</i> |
|-------------|--------------------|-------------|--------------------|
| 1 | 140-3110 | 1 | Kit-Seal ● |

● Not illustrated



Steering Valve Assembly No. 114-8119

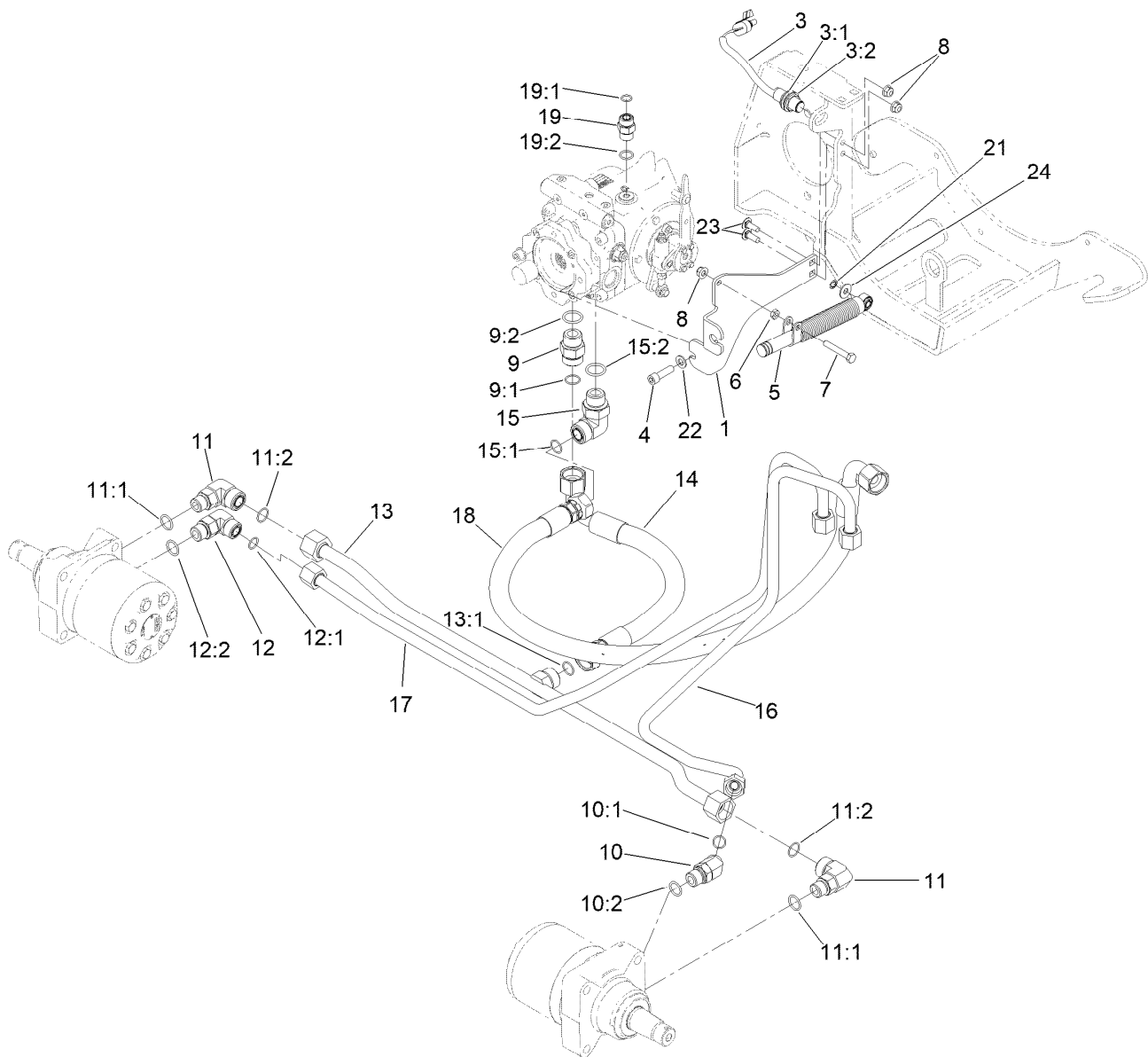
| <i>Ref.</i> | <i>Part Number</i> | <i>Qty.</i> | <i>Description</i> |
|-------------|--------------------|-------------|--------------------|
| 1 | 106-6716 | 1 | Seal Kit |



Steering Cylinder Assembly No. 139-6277

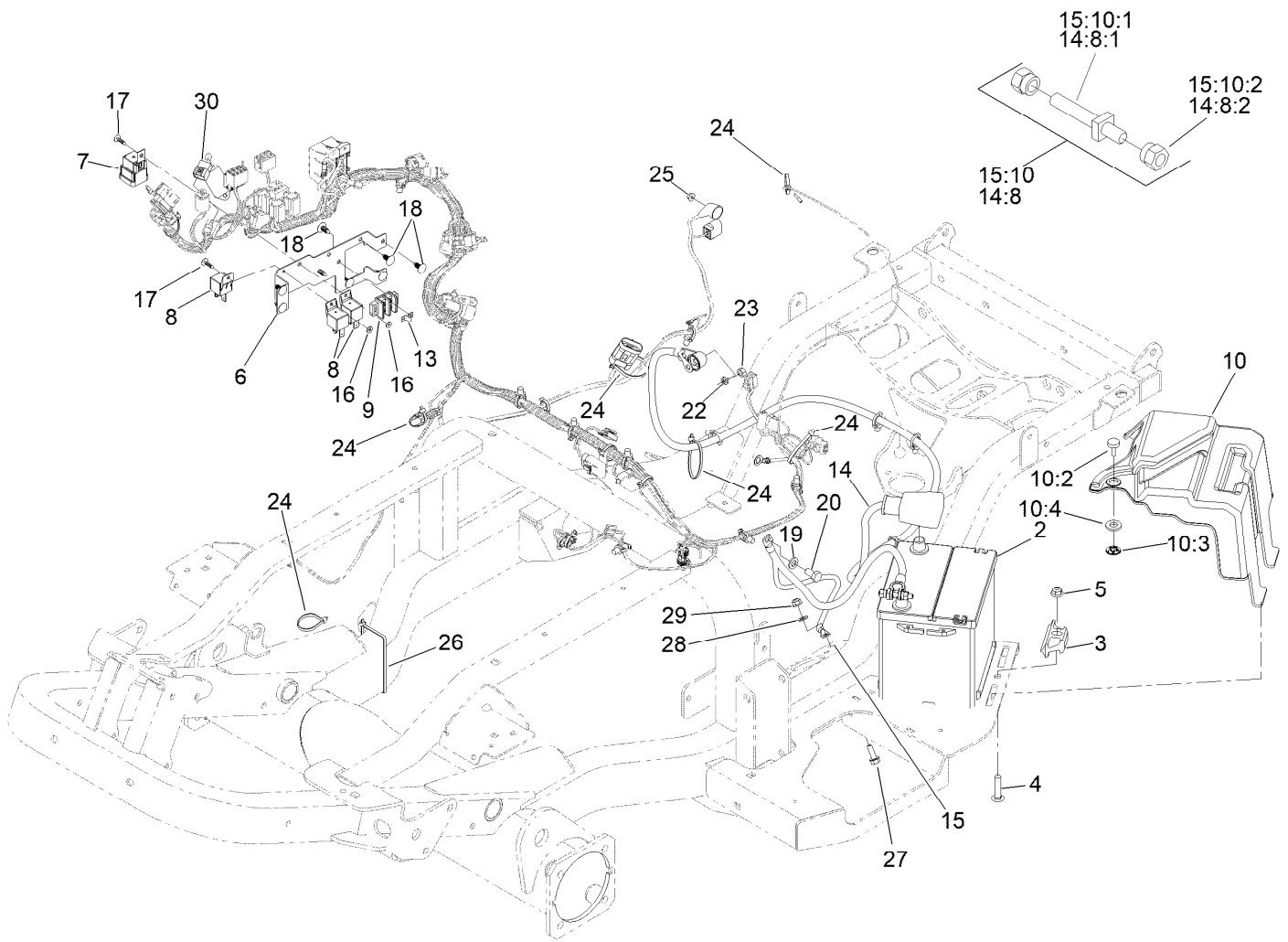
| <i>Ref.</i> | <i>Part Number</i> | <i>Qty.</i> | <i>Description</i> |
|-------------|--------------------|-------------|--------------------|
| 1 | 140-3120 | 1 | Kit-Seal ● |

● Not illustrated



Hydraulic Traction Assembly

| Ref. | Part Number | Qty. | Description | Ref. | Part Number | Qty. | Description |
|------|-------------|------|-----------------------------|------|-------------|------|-------------------------------------|
| 1 | 145-6065-0P | 1 | Plate-Cable Mount | 12:1 | 237-65 | 1 | O-Ring |
| 3 | 115-5300 | 1 | Proximity Switch ASM | 12:2 | 237-80 | 1 | O-Ring |
| 3:1 | 117-3207 | 2 | Nut-Hex | 13 | 138-0340 | 1 | Hydraulic Tube ASM |
| 3:2 | 117-3208 | 2 | Washer-Lock, Internal Tooth | 13:1 | 237-58 | 1 | O-Ring |
| 4 | 3274-1 | 2 | Screw-HSH | 14 | 145-5928 | 1 | Hose ASM-Hydraulic |
| 5 | 140-6248 | 1 | Damper | 15 | 340-142 | 1 | Fitting-Elbow, 90 DEG |
| 6 | 3218-2 | 1 | Nut-Hex Jam | 15:1 | 237-58 | 1 | O-Ring |
| 7 | 322-10 | 1 | Screw-HH | 15:2 | 237-81 | 1 | O-Ring |
| 8 | 104-8300 | 3 | Nut-HF, NI | 16 | 145-5929 | 1 | Hydraulic Tube ASM |
| 9 | 340-9 | 1 | Fitting-STR | 17 | 145-5923 | 1 | Hydraulic Tube ASM |
| 9:1 | 237-58 | 1 | O-Ring | 18 | 145-5927 | 1 | Hose ASM-Hydraulic |
| 9:2 | 237-81 | 1 | O-Ring | 19 | 340-4 | 1 | Fitting-Straight |
| 10 | 340-14 | 1 | Fitting-HYD, 45 DEG | 19:1 | 237-30 | 1 | O-Ring |
| 10:1 | 237-65 | 1 | O-Ring | 19:2 | 237-79 | 1 | O-Ring |
| 10:2 | 237-80 | 1 | O-Ring | 21 | 32151-72 | 1 | Ring-Retaining |
| 11 | 340-16 | 2 | Fitting-HYD, 90 DEG | 22 | 145-5964 | 2 | Washer |
| 11:1 | 237-80 | 1 | O-Ring | 23 | 3230-10 | 2 | Bolt-CARR |
| 11:2 | 237-58 | 1 | O-Ring | 24 | HDW14535 | 1 | Flat Washer, 5/16 Nom,ST/ST,18-8 |
| 12 | 340-17 | 1 | Fitting-Elbow, 90 DEG | | | | |

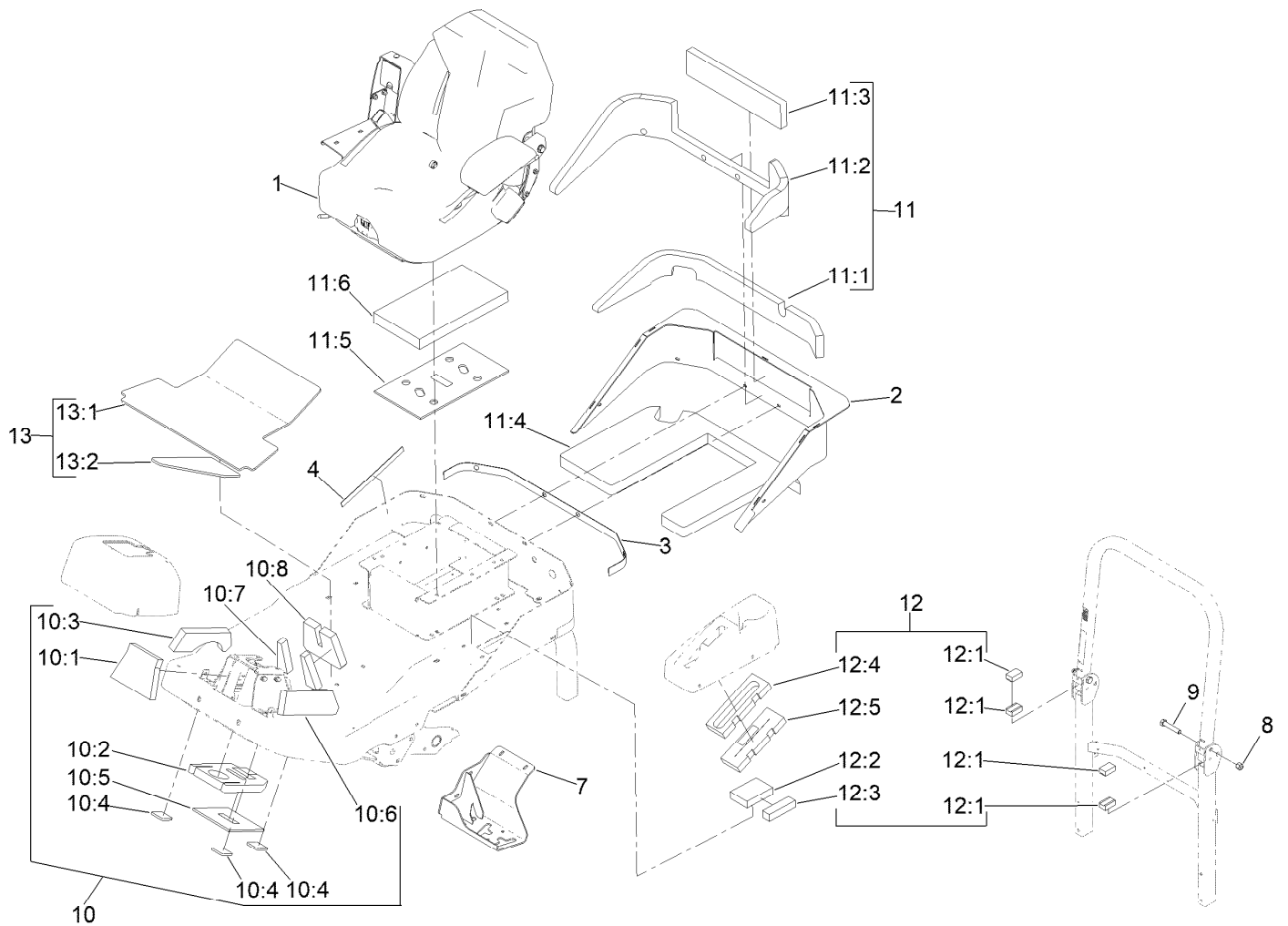


Electrical Assembly

| Ref. | Part Number | Qty. | Description | Ref. | Part Number | Qty. | Description |
|--------|-------------|------|-----------------------------------|---------|--------------|------|-----------------------------|
| 2 | | 1 | Battery - Wet, 12V, 540 CCA ■▲ | 15 | 122-1276 | 1 | Cable-Battery, Negative ASM |
| 3 | 138-6335 | 1 | Retainer-Battery | 15:10 | | 1 | Bolt ASM ●▲ |
| 4 | 3231-29 | 1 | Screw-CARR | 15:10:1 | 32180-107 | 1 | Bolt-Clamp, Battery |
| 5 | 104-8301 | 1 | Nut-HF, NI | 15:10:2 | 32180-108 | 2 | Nut-Hex Shoulder |
| 6 | 138-7467-0P | 1 | Bracket-Electrical | 16 | 3256-21 | 2 | Washer-Flat |
| 7 | 99-7430 | 1 | Relay-Mini | 17 | 125-8067 | 2 | Plug-Plastic |
| 8 | 99-7435 | 3 | Relay | 18 | 117-2382 | 8 | Plug-Plastic |
| 9 | 42862 | 1 | Block-Terminal, Ground | 19 | 33095-00 | 1 | Washer-Flat |
| 10 | 140-9010 | 1 | Battery Cover ASM | 20 | 33115-020 | 1 | Screw-HH |
| 10:2 | 140-9033 | 1 | Knob-Stud | 22 | 3253-4 | 1 | Washer-Lock |
| 10:3 | 32115-15 | 1 | Nut-Push | 23 | 33014-00 | 1 | Nut-Hex |
| 10:4 | 3256-22 | 1 | Washer-Flat | 24 | 3290-378 | 6 | Tie-Cable |
| 13 | 42863 | 1 | Strip-Jumper | 25 | 33003-00 | 1 | Nut-HF |
| 14 | 122-1275 | 1 | Cable-Battery, Positive ASM | 26 | 3290-379 | 1 | Tie-Cable |
| 14:8 | | 1 | Bolt ASM ●▲ | 27 | 3234-29 | 1 | Screw-HHF |
| 14:8:1 | 32180-107 | 1 | Bolt-Clamp, Battery | 28 | 120-9683 | 1 | Washer-Plain |
| 14:8:2 | 32180-108 | 2 | Nut-Hex Shoulder | 29 | 104-8300 | 1 | Nut-HF, NI |
| | | | | 30 | 134-1507RT01 | 1 | Timer-Glowplug |

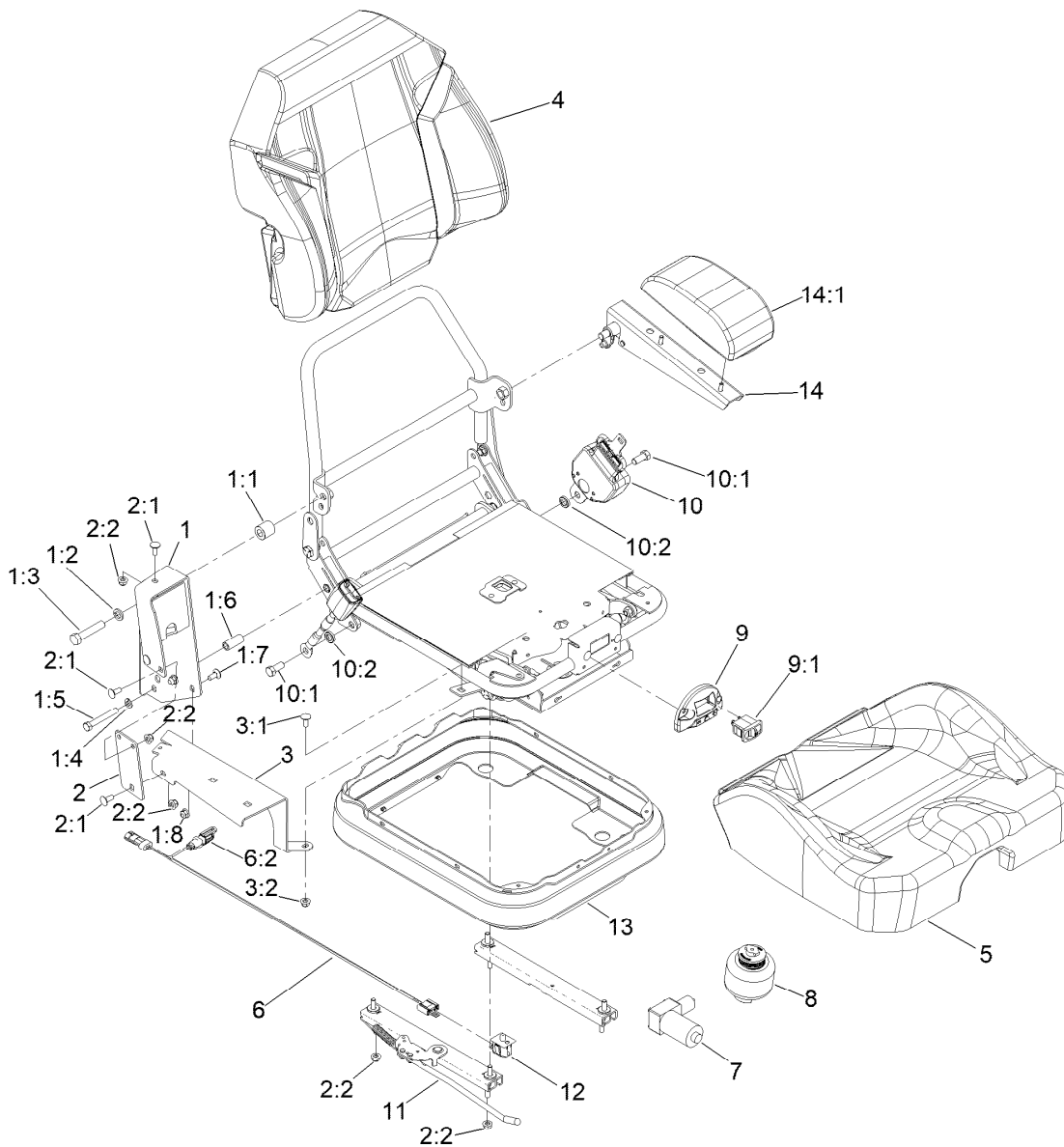
● Not illustrated
▲ Not serviced separately

■ Obtain locally.



Seat, Firewall and Step Mount Assembly

| Ref. | Part Number | Qty. | Description | Ref. | Part Number | Qty. | Description |
|------|-------------|------|---------------------------|------|-------------|------|---------------------------|
| 1 | 161-0807 | 1 | Seat ASM-Air Ride | 11 | 144-0525 | 1 | Kit-Foam, Sound Reduction |
| 2 | 139-2035-03 | 1 | Firewall-Upper | 11:1 | 140-6891 | 1 | Panel-Firewall, Sound |
| 3 | 139-2039 | 1 | Seal-Foam, Firewall | 11:2 | 140-6892 | 1 | Panel-Firewall, Sound |
| 4 | 139-2040 | 2 | Seal-Foam, Side | 11:3 | 140-6893 | 1 | Tile-Firewall, Sound |
| 7 | 139-2030-03 | 1 | Mount-Step | 11:4 | 140-6896 | 1 | Floor-Pad |
| 8 | 3296-51 | 2 | Nut-Lock, NI | 11:5 | 140-6724 | 1 | Pad-Seat Base, Sound |
| 9 | 328-7 | 2 | Screw-HH | 11:6 | 140-6725 | 1 | Pad-Seat Base, Sound |
| 10 | 144-4028 | 1 | Kit-Foam, Sound Reduction | 12 | 144-0526 | 1 | Kit-Foam, Sound Reduction |
| 10:1 | 144-3640 | 1 | Steer-Plug Front | 12:1 | 140-6897 | 4 | Plug-ROPS |
| 10:2 | 144-3224 | 1 | Steer-Plug | 12:2 | 140-6898 | 1 | Brake-Plug |
| 10:3 | 144-3639 | 1 | Steer-Plug Right | 12:3 | 140-6899 | 1 | Brake-Plug |
| 10:4 | 144-3227 | 3 | Steering-Pad | 12:4 | 144-3221 | 1 | Brake-Plug |
| 10:5 | 144-3228 | 1 | Steering-Pad | 12:5 | 144-3222 | 1 | Brake-Plug |
| 10:6 | 144-3638 | 1 | Steer-Plug Left | 13 | 144-0527 | 1 | Kit-Foam, Sound Reduction |
| 10:7 | 144-3641 | 2 | Steer-Plug | 13:1 | 144-3233 | 1 | Floor-Pad, Center |
| 10:8 | 144-3637 | 1 | Steer-Plug Bottom | 13:2 | 144-3234 | 1 | Floor-Pad, Corner |

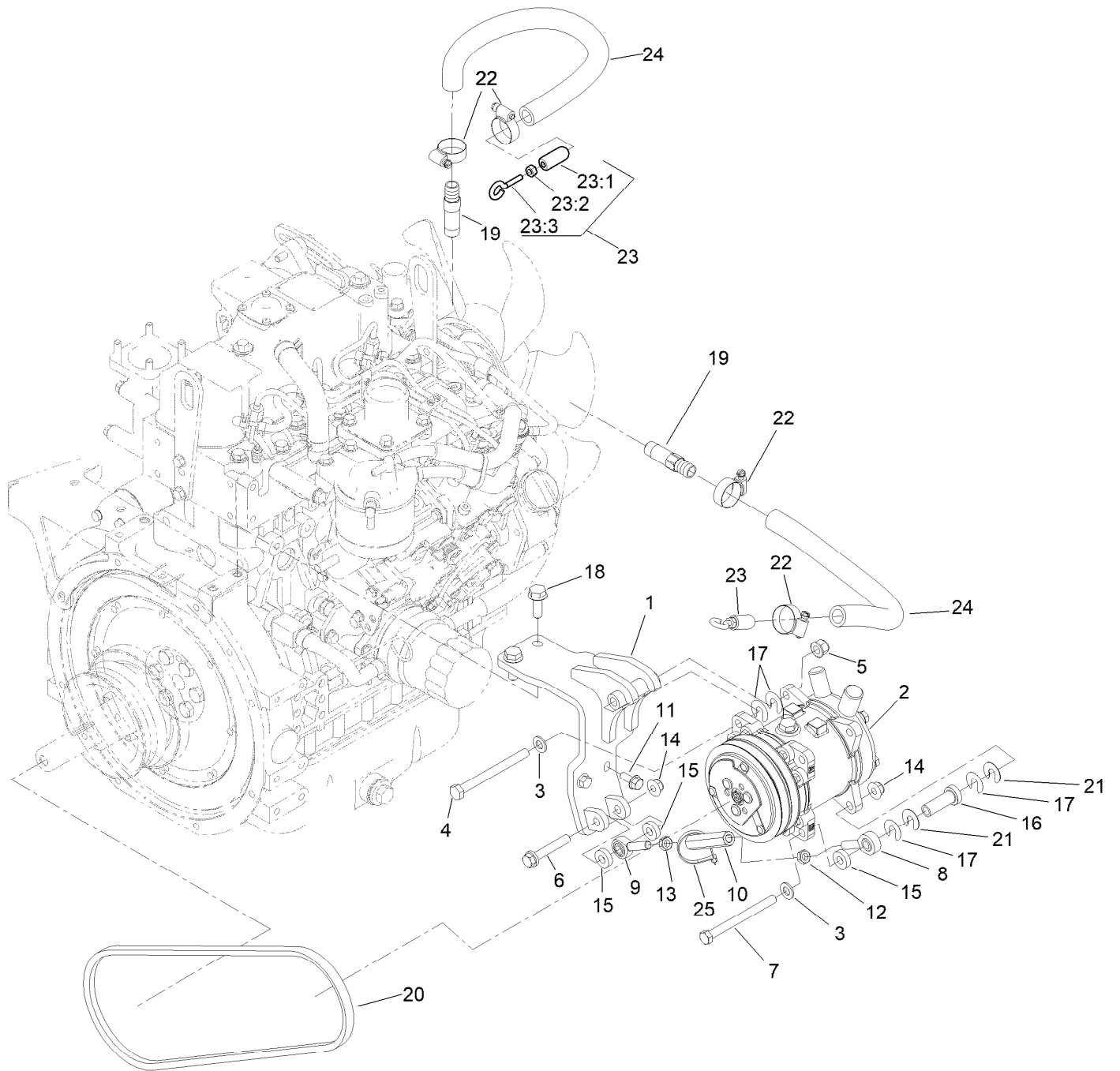


Air Ride Suspension Seat Assembly No. 161-0807

| Ref. | Part Number | Qty. | Description | Ref. | Part Number | Qty. | Description |
|------|-------------|------|-------------------------|------|-------------|------|--------------------------|
| 1 | 140-7112 | 1 | Upper Console Mount Kit | 5 | 125-3111 | 1 | Cover-Cushion |
| 1:1 | 140-7113 | 1 | Spacer | 6 | 122-2735 | 1 | Harness-Wire, Seat |
| 1:2 | 3253-7 | 1 | Washer-Lock | 6:2 | 32180-091 | 1 | Cap-Dust, 2 Way |
| 1:3 | 325-10 | 1 | Screw-HH | 7 | 140-7120 | 1 | Air Compressor Kit |
| 1:4 | 3253-21 | 1 | Washer-Lock | 8 | 140-7121 | 1 | Air Bag Kit |
| 1:5 | 323-13 | 1 | Screw-HH | 9 | 140-7122 | 1 | Air Valve Kit |
| 1:6 | 140-7114 | 1 | Spacer | 9:1 | 126-2747 | 1 | Valve-Air Adjust |
| 1:7 | 3230-23 | 2 | Bolt-CARR | 10 | 140-7116 | 1 | Seat Belt Kit |
| 1:8 | 104-8300 | 2 | Nut-HF, NI | 10:1 | 3212-4 | 2 | Screw-HH |
| 2 | 140-7103 | 1 | Bracket Kit | 10:2 | 140-7108 | 2 | Spacer |
| 2:1 | 3230-23 | 4 | Bolt-CARR | 11 | 144-0458 | 1 | Track Kit |
| 2:2 | 104-8300 | 8 | Nut-HF, NI | 12 | 145-3520 | 1 | Switch-Plunger, On-(On) |
| 3 | 140-7115 | 1 | Lower Console Mount Kit | 13 | 126-8559 | 1 | Bellows-Seat |
| 3:1 | 3230-23 | 1 | Bolt-CARR | 14 | 140-7110 | 1 | Armrest-Deluxe, With Pad |
| 3:2 | 104-8300 | 1 | Nut-HF, NI | 14:1 | 140-7111 | 1 | Pad-Armrest |
| 4 | 125-3112 | 1 | Cover-Back | 99 | 140-7119 | 1 | Harness-Air Ride ● |

● Not illustrated

Compressor and Belt Assembly

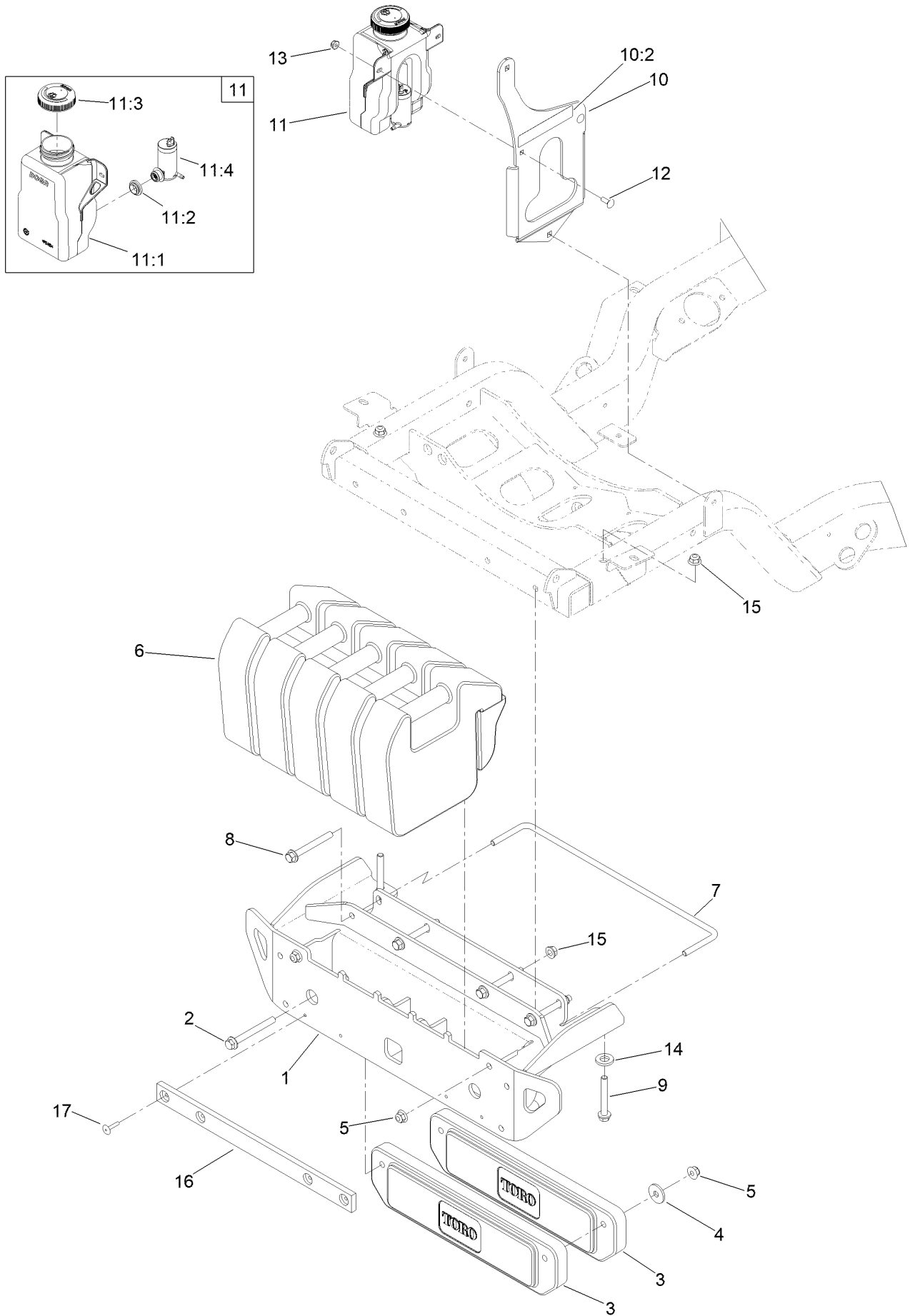


Compressor and Belt Assembly (continued)

| <i>Ref.</i> | <i>Part Number</i> | <i>Qty.</i> | <i>Description</i> | <i>Ref.</i> | <i>Part Number</i> | <i>Qty.</i> | <i>Description</i> |
|-------------|--------------------|-------------|------------------------------------|-------------|--------------------|-------------|--------------------|
| 1 | 138-7435-0P | 1 | Bracket-Compressor Mount [prime | 15 | 5-0652 | 3 | Spacer |
| 2 | 119-0103 | 1 | Compressor | 16 | 139-0873 | 1 | Spacer |
| 3 | 33095-00 | 2 | Washer-Flat | 17 | 119-7734 | 10 | Shim |
| 4 | 33115-110 | 1 | Screw-HH | 18 | 33105-030 | 2 | Screw-HHF |
| 5 | 103-9511 | 1 | Nut-Flg | 19 | 139-2236 | 2 | Fitting-STR Spcl |
| 6 | 100-2592 | 1 | Screw-HHF | 20 | 106-4498 | 1 | Belt-V |
| 7 | 119-0723 | 1 | Screw-HH, Lock | 21 | 139-6205 | 4 | Shim |
| 8 | 1-613204 | 1 | Balljoint | 22 | 2412-119 | 4 | Clamp-Hose |
| 9 | 125-4389 | 1 | Bearing-End, Rod | 23 | | 2 | Plug-Hose, ASM ● |
| 10 | 136-7390 | 1 | Turnbuckle | 23:1 | 139-1904 | 1 | Plug-Hose |
| 11 | 33104-020 | 2 | Screw-HHF | 23:2 | 3217-5 | 1 | Nut-Hex |
| 12 | 3220-3 | 1 | Nut-HJ | 23:3 | 71-2870 | 1 | Bolt-Eye |
| 13 | 3220-16 | 1 | Nut-Hex Jam, LH | 24 | 140-6560 | 2 | Hose-Heater, 5/8 |
| 14 | 104-8301 | 2 | Nut-HF, NI | 25 | 3290-378 | 1 | Tie-Cable |

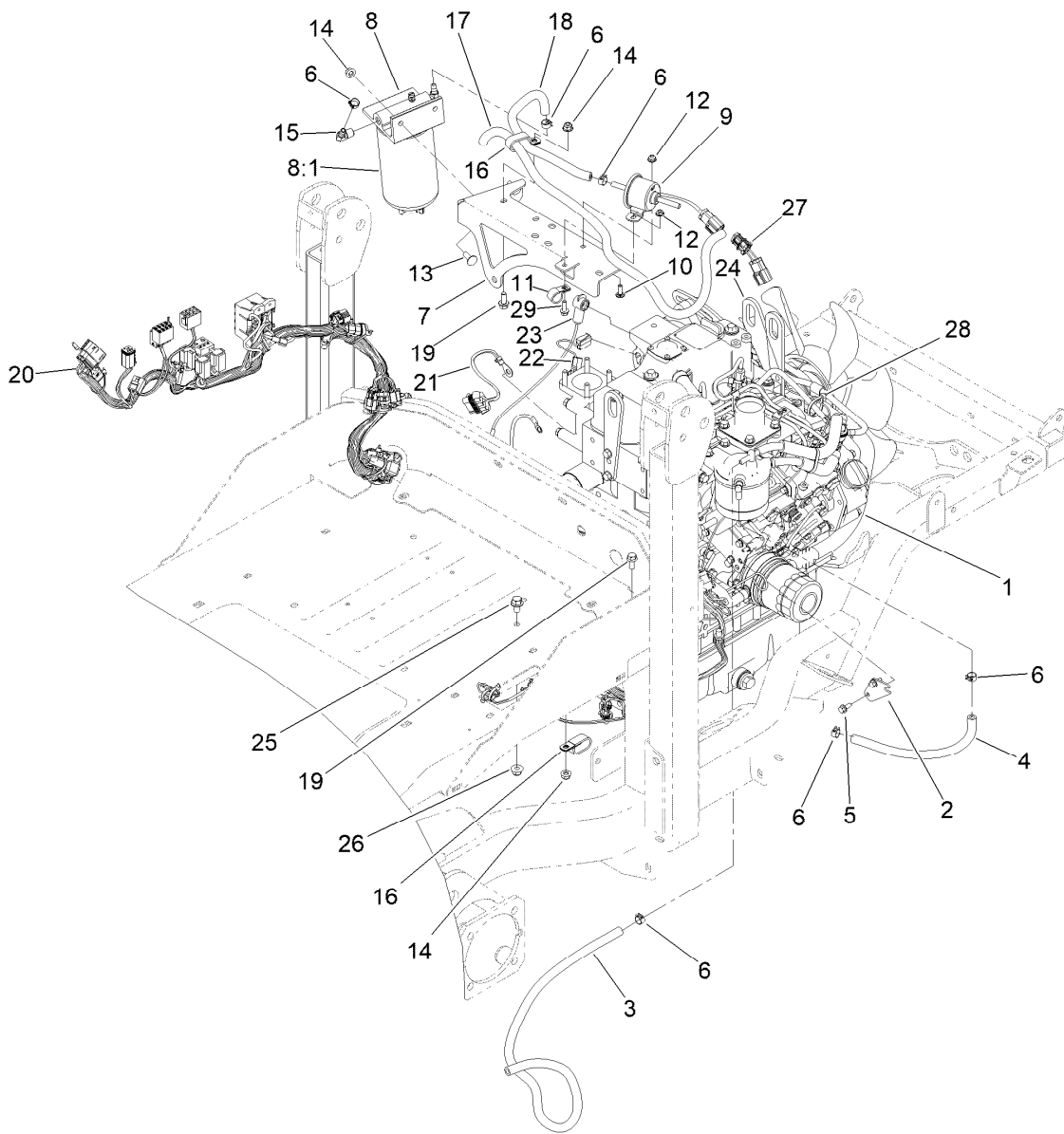
● Not serviced separately

Bumper and Weight Assembly



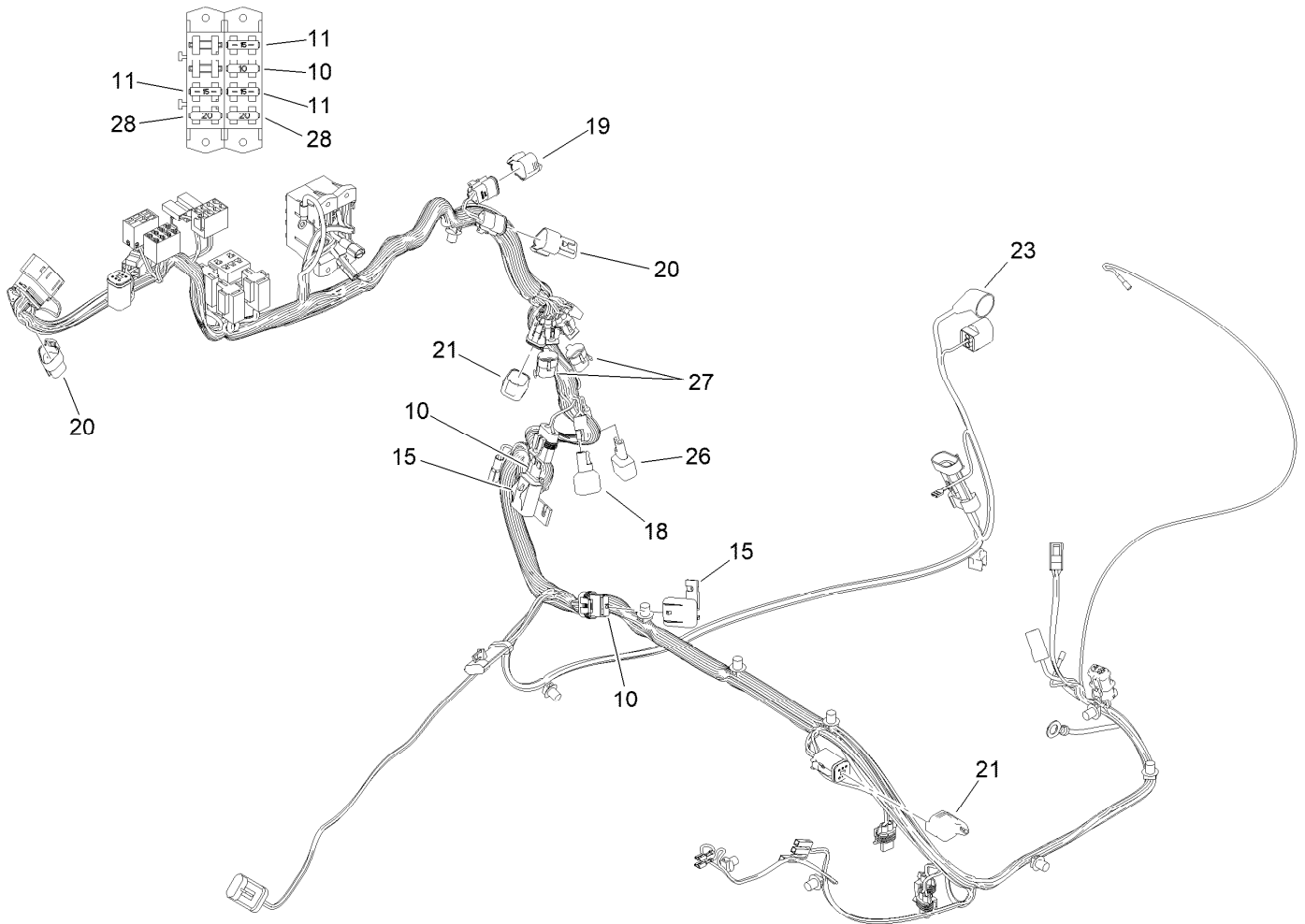
Bumper and Weight Assembly (continued)

| <i>Ref.</i> | <i>Part Number</i> | <i>Qty.</i> | <i>Description</i> | <i>Ref.</i> | <i>Part Number</i> | <i>Qty.</i> | <i>Description</i> |
|-------------|--------------------|-------------|--------------------|-------------|--------------------|-------------|---------------------------|
| 1 | 145-5981SP | 1 | Bumper-Rear Wa | 11 | 140-6665 | 1 | Tank-Fluid, Washer (1.1L) |
| 2 | 116-4701 | 2 | Screw-HHF | 11:1 | 140-6666 | 1 | Tank |
| 3 | 112-7059-01 | 2 | Weight-Cast | 11:2 | 140-6667 | 1 | Grommet |
| 4 | 125-9676 | 2 | Washer-Backup | 11:3 | 140-6669 | 1 | Cap-Washer |
| 5 | 104-8301 | 4 | Nut-HF, NI | 11:4 | 140-6668 | 1 | Pump-Washer |
| 6 | 114-4096 | 5 | Weight | 12 | 3229-1 | 2 | Screw-CARR |
| 7 | 125-2667 | 1 | Lock-Weight | 13 | 104-7201 | 2 | Nut-HF, NI |
| 8 | 3234-41 | 4 | Screw-HHF | 14 | 3256-24 | 2 | Washer-Plain |
| 9 | 139-2429 | 2 | Screw-HHF | 15 | 32128-43 | 6 | Nut-Flange |
| 10 | 144-3252 | 1 | Mount-Washer | 16 | 144-4014 | 1 | Bumper-Rubber |
| 10:2 | 93-7272 | 1 | Decal-Warning | 17 | 3269-11 | 4 | Rivet-Pop |



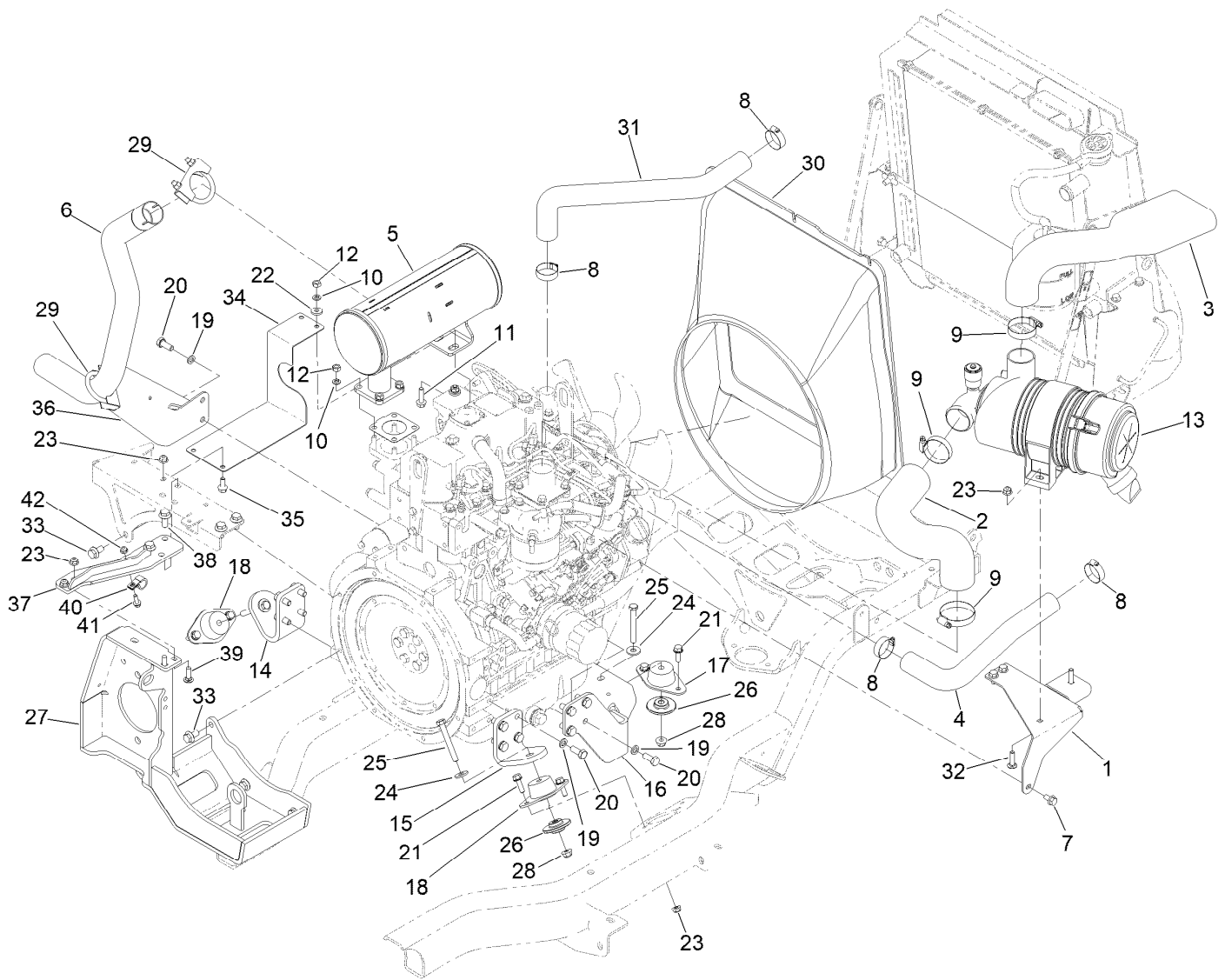
Engine, Main Wire Harness and Fuel Assembly

| <i>Ref.</i> | <i>Part Number</i> | <i>Qty.</i> | <i>Description</i> | <i>Ref.</i> | <i>Part Number</i> | <i>Qty.</i> | <i>Description</i> |
|-------------|--------------------|-------------|----------------------------------|-------------|--------------------|-------------|----------------------------|
| 1 | 139-6249 | 1 | Engine-Yanmar | 15 | 353-781 | 2 | Fitting-HYD, 90 |
| 2 | 139-6267 | 1 | Plate-Throttle | 16 | 120-1959 | 2 | Clamp |
| 3 | 110-9662 | 1 | Hose-Fuel | 17 | 126-1805 | 1 | Hose-Fuel |
| 4 | 110-4104 | 1 | Hose-Fuel | 18 | 110-4101 | 1 | Hose-Fuel |
| 5 | 33103-016 | 2 | Screw-HHF | 19 | 3234-47 | 2 | Screw-HHF |
| 6 | 92-2379 | 6 | Clamp-Hose | 20 | 122-2518 | 1 | Harness-Wire, Main |
| 7 | 144-4098-0P | 1 | Bracket-Filter Mount [primed] | 21 | 99-3441 | 1 | Harness-Wire, Fusible Link |
| 8 | 125-2914 | 1 | Filter-Separator | 22 | 122-1768 | 1 | Harness-Wire, Adapter |
| 8:1 | 125-2915 | 1 | Filter-Fuel/Water Separator | 23 | 100-5552 | 1 | Harness-Wire |
| 9 | 121-5613 | 1 | Pump-Fuel, Electric | 24 | 140-7189-0P | 1 | Bracket-Lift |
| 10 | 1-807512 | 2 | Bolt-CARR | 25 | 3234-9 | 1 | Screw-HHF |
| 11 | 2412-87 | 1 | Clamp-Cable | 26 | 104-8301 | 1 | Nut-HF, NI |
| 12 | 104-7201 | 2 | Nut-HF, NI | 27 | 122-2138 | 1 | Harness-Wire, Adapter |
| 13 | 3230-10 | 2 | Bolt-CARR | 28 | 3290-378 | 1 | Tie-Cable |
| 14 | 104-8300 | 4 | Nut-HF, NI | 29 | 120-9678 | 1 | Screw-HHF |



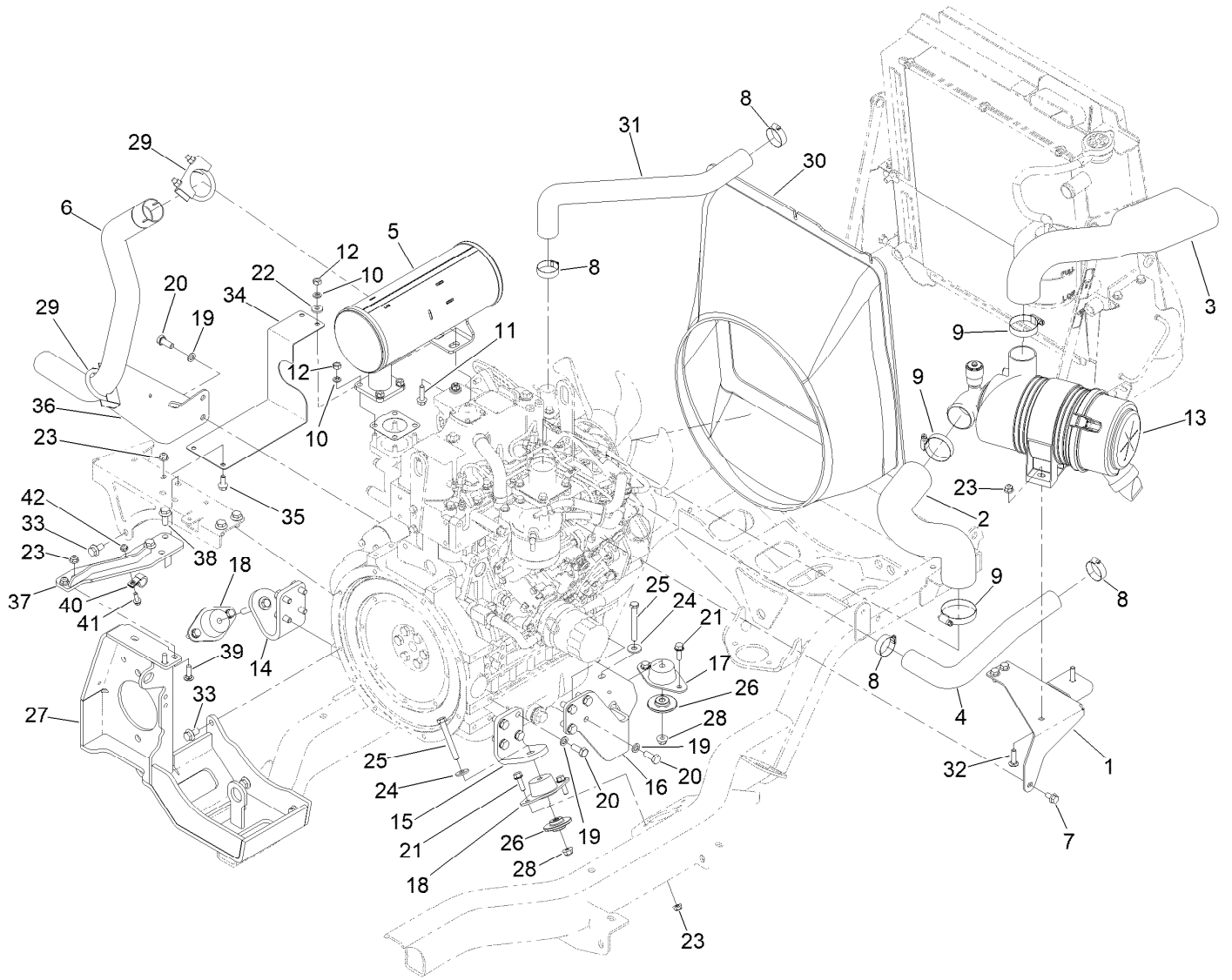
Wire Harness Assembly No. 122-2518

| <i>Ref.</i> | <i>Part Number</i> | <i>Qty.</i> | <i>Description</i> |
|-------------|--------------------|-------------|---------------------------|
| 10 | 218-578 | 3 | Fuse-Blade, 10 Amp |
| 11 | 109355 | 3 | Fuse-Blade, 15 Amp |
| 15 | 32180-019 | 2 | Cover-Fuse, Single |
| 18 | 108-9493 | 1 | Diode-Tvs |
| 19 | 32180-089 | 1 | Cap-Plug, 3 Way |
| 20 | 32180-043 | 2 | Resistor-120 Ohm |
| 21 | 32180-156 | 2 | Cap-Plug, 6 Way |
| 23 | 32180-017 | 1 | Insulator-Terminal, Black |
| 26 | 104-4022 | 1 | Resistor-75 Ohm |
| 27 | 32180-056 | 2 | Cap |
| 28 | 109101 | 2 | Fuse-Blade, 20 Amp |



Engine Mount, Exhaust and Air Cleaner Assembly

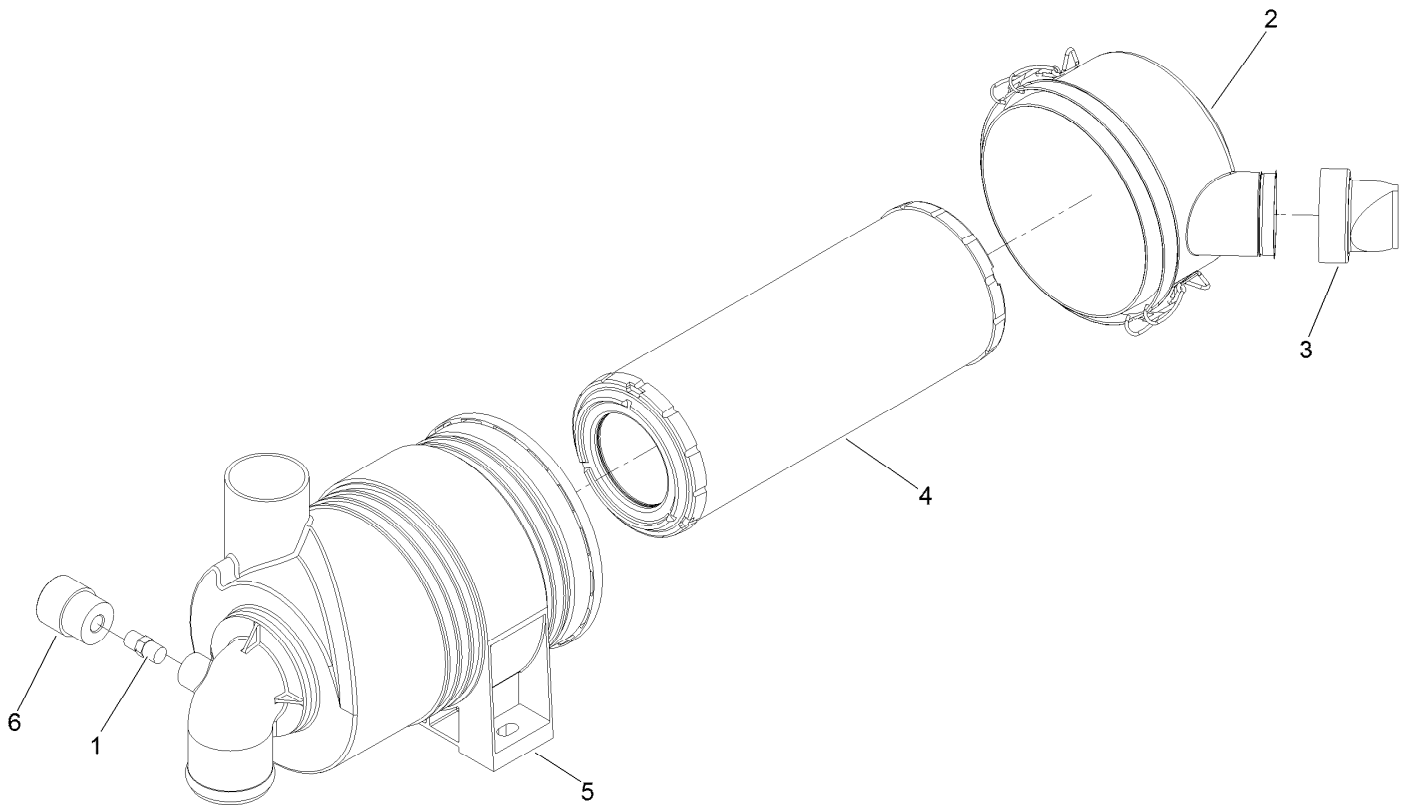
| Ref. | Part Number | Qty. | Description | Ref. | Part Number | Qty. | Description |
|------|-------------|------|----------------------------------|------|-------------|------|---------------------------------|
| 1 | 139-6260-0P | 1 | Bracket-Air Cleaner [primed] | 21 | 3234-29 | 6 | Screw-HHF |
| 2 | 139-6263 | 1 | Hose-Cleaner, Air | 22 | 88-7200 | 2 | Washer-Flat |
| 3 | 139-6264 | 1 | Hose-Intake, Air | 23 | 104-8300 | 11 | Nut-HF, NI |
| 4 | 139-6265 | 1 | Hose-Radiator, Lower | 24 | 80-6990 | 3 | Washer-Hardened |
| 5 | 139-6269 | 1 | Muffler ASM | 25 | 323-14 | 3 | Screw-HH |
| 6 | 144-0571 | 1 | Pipe-Exhaust | 26 | 138-6462 | 3 | Support-Isolator |
| 7 | 33104-016 | 3 | Screw-HHF | 27 | 145-6016-0P | 1 | Bracket-Pump Mount ASM [primed] |
| 8 | 2412-34 | 4 | Clamp-Hose | 28 | 104-8301 | 3 | Nut-HF, NI |
| 9 | 2412-130 | 3 | Clamp-Hose | 29 | 18-2130 | 2 | Clamp |
| 10 | 3253-4 | 6 | Washer-Lock | 30 | 138-0419 | 1 | Shroud-Fan |
| 11 | 33104-030 | 2 | Screw-HHF | 31 | 138-0429 | 1 | Hose-Radiator, Upper |
| 12 | 33014-00 | 6 | Nut-Hex | 32 | 3230-29 | 2 | Screw-CARR |
| 13 | 136-4481 | 1 | Air Cleaner ASM | 33 | 33105-020 | 4 | Screw-HHF |
| 14 | 138-0408-0P | 1 | Mount-Engine, RH Front | 34 | 140-7186 | 1 | Bracket-Heat Shield |
| 15 | 138-0409-0P | 1 | Mount-Engine, LH Front | 35 | 3234-47 | 1 | Screw-HHF |
| 16 | 138-0410-0P | 1 | Mount-Engine, Rear 37HP [primed] | 36 | 144-0514-03 | 1 | Support-Tailpipe |
| 17 | 120-6274 | 1 | Mount-Engine | 37 | 145-5955-0P | 1 | Bracket-Pump [primed] |
| 18 | 139-0856 | 2 | Mount-Engine | 38 | 33105-025 | 2 | Screw-HHF |
| 19 | 48-9590 | 16 | Washer-Lock | 39 | 3230-2 | 2 | Bolt-CARR |
| 20 | 33115-025 | 16 | Screw-HH | 40 | 2412-87 | 1 | Clamp-Cable |



Engine Mount, Exhaust and Air Cleaner Assembly (continued)

| <i>Ref.</i> | <i>Part Number</i> | <i>Qty.</i> | <i>Description</i> |
|-------------|--------------------|-------------|--------------------|
| 41 | 120-9678 | 1 | Screw-HHF |
| 42 | 104-7201 | 1 | Nut-HF, NI |

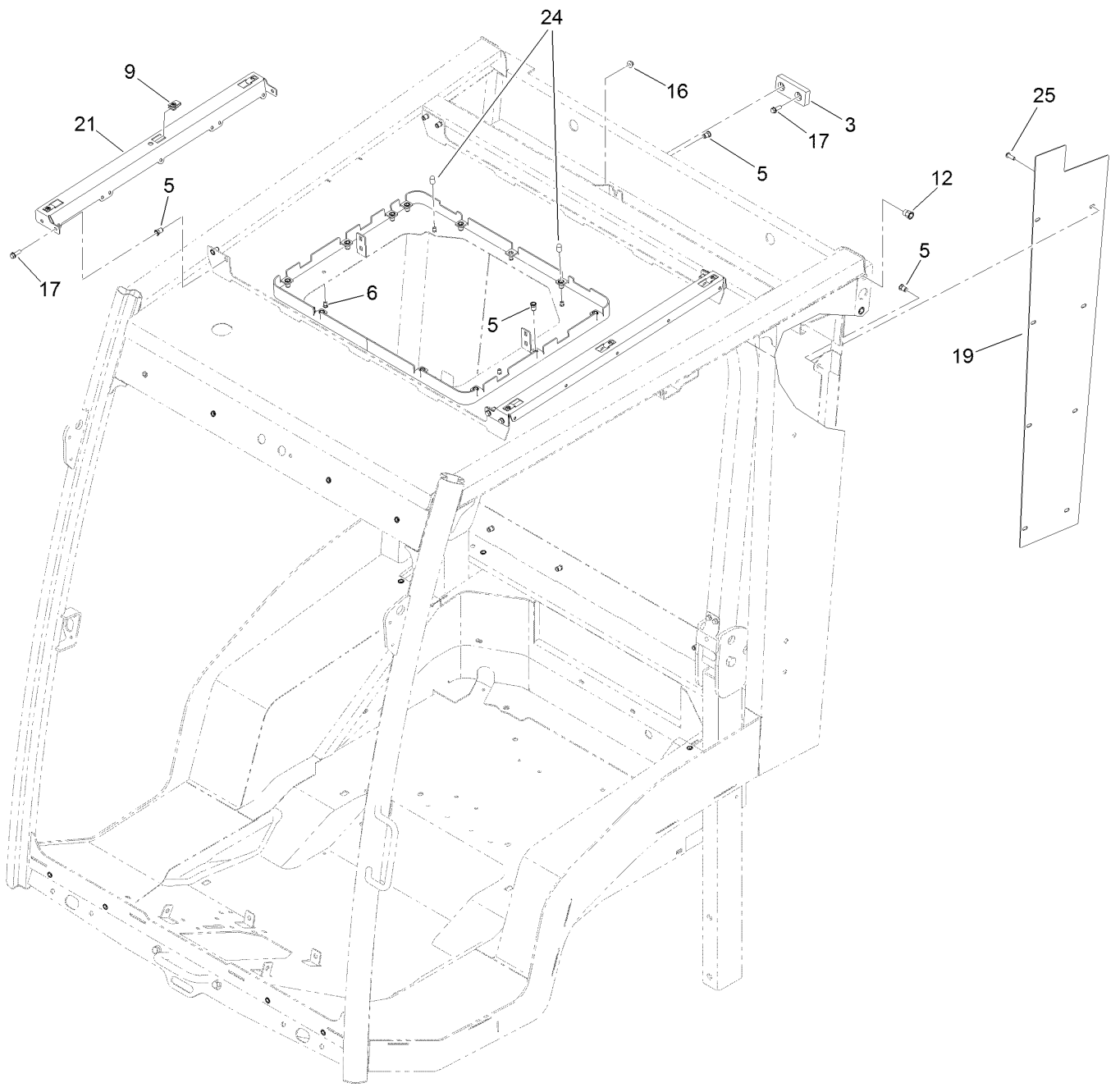
Air Cleaner Assembly No. 136-4481



Air Cleaner Assembly No. 136-4481 (continued)

| <i>Ref.</i> | <i>Part Number</i> | <i>Qty.</i> | <i>Description</i> | <i>Ref.</i> | <i>Part Number</i> | <i>Qty.</i> | <i>Description</i> |
|-------------|--------------------|-------------|--------------------|-------------|--------------------|-------------|----------------------|
| 1 | 94-1416 | 1 | Adapter-Indicator | 4 | 108-3810 | 1 | Filter-Air |
| 2 | 98-9771 | 1 | Cover ASM | 5 | 98-4525 | 1 | Bracket-Cleaner, Air |
| 3 | 94-1414 | 1 | Valve-Vacuator | 6 | 93-9164 | 1 | Indicator-Mini |

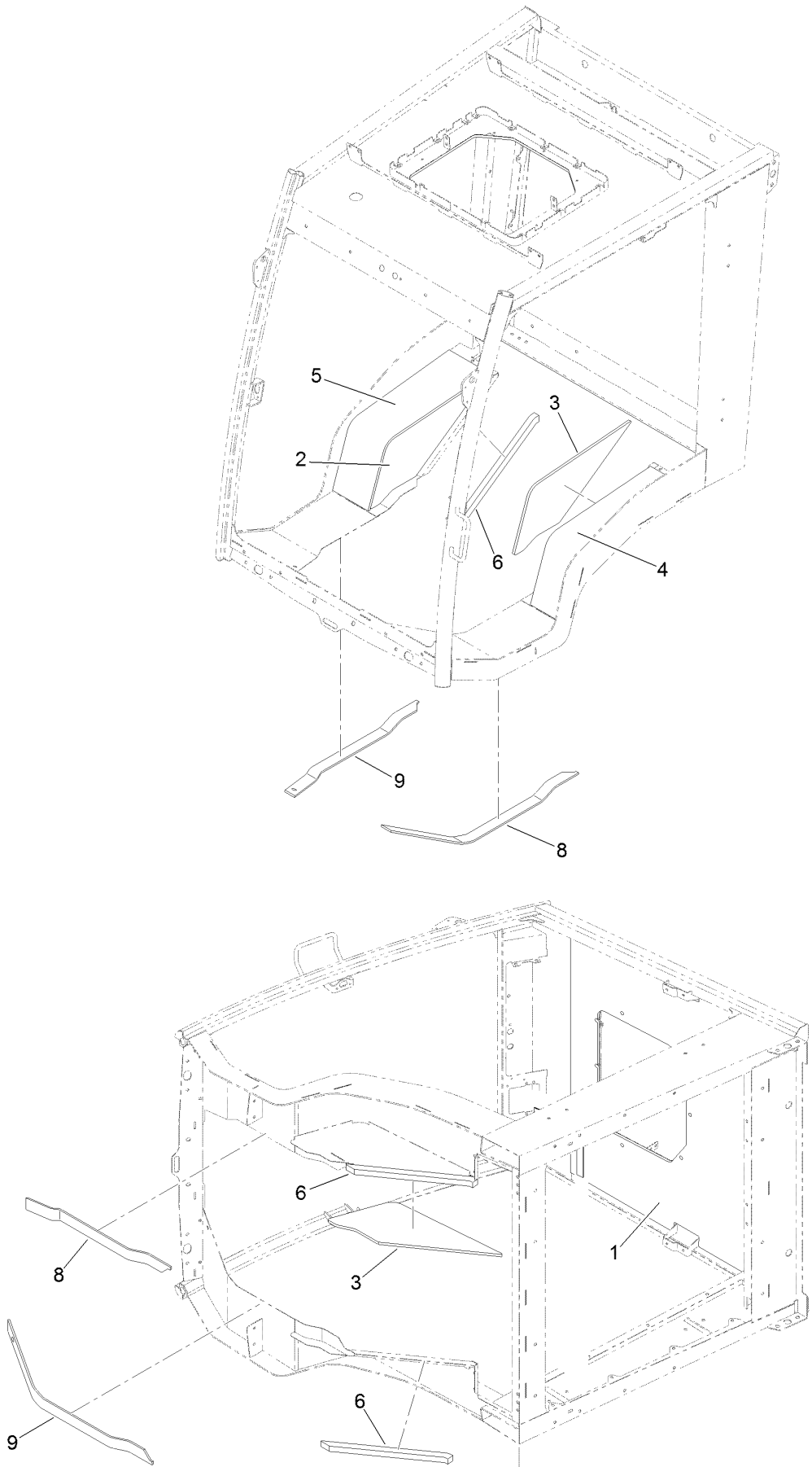
Frame, Mount and Seals Assembly



Frame, Mount and Seals Assembly (continued)

| <i>Ref.</i> | <i>Part Number</i> | <i>Qty.</i> | <i>Description</i> | <i>Ref.</i> | <i>Part Number</i> | <i>Qty.</i> | <i>Description</i> |
|-------------|--------------------|-------------|--------------------|-------------|--------------------|-------------|---------------------|
| 3 | 86-5350 | 4 | Bumper-Rubber | 17 | 32105-15 | 16 | Screw-HWH |
| 5 | 138-2760 | 69 | Nut-Clinch, Hex | 19 | 137-1167-03 | 2 | Cover-Post, Rear |
| 6 | 137-1225 | 8 | Nut-Clinch,Hex | 21 | 139-2158-03 | 2 | Bracket-Mount, Roof |
| 9 | 107069 | 6 | Clip | 24 | 139-2180 | 2 | Plug-Cap, Plastic |
| 12 | 138-2899 | 4 | Nut-Clinch | 25 | 32105-15 | 16 | Screw-HWH |
| 16 | 104-7201 | 8 | Nut-HF, NI | | | | |

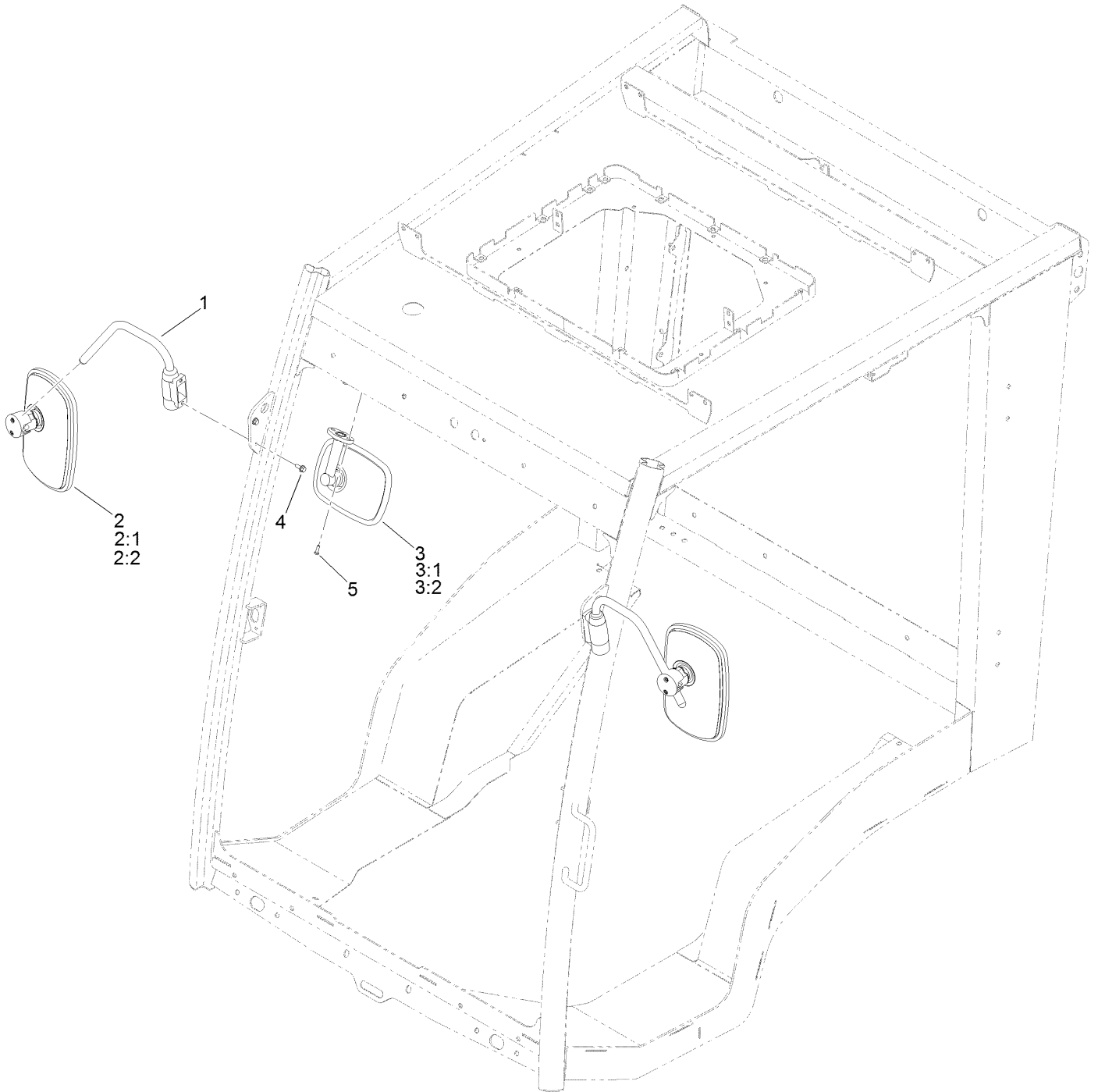
Interior Foam and Carpet Assembly



Interior Foam and Carpet Assembly (continued)

| <i>Ref.</i> | <i>Part Number</i> | <i>Qty.</i> | <i>Description</i> | <i>Ref.</i> | <i>Part Number</i> | <i>Qty.</i> | <i>Description</i> |
|-------------|--------------------|-------------|--------------------------|-------------|--------------------|-------------|--------------------------|
| 1 | 140-1499 | 1 | Foam-Interior Roof | 5 | 139-1968 | 1 | Carpet-Interior, Tank RH |
| 2 | 139-1966 | 1 | Carpet-Interior, Side RH | 6 | 139-2003 | 2 | Seal-Foam, Side |
| 3 | 139-1965 | 1 | Carpet-Interior, Side LH | 8 | 139-2004 | 1 | Seal-Foam, LH |
| 4 | 139-1967 | 1 | Carpet-Interior, Tank LH | 9 | 139-2005 | 1 | Seal-Foam, RH |

Cab Mirrors Assembly

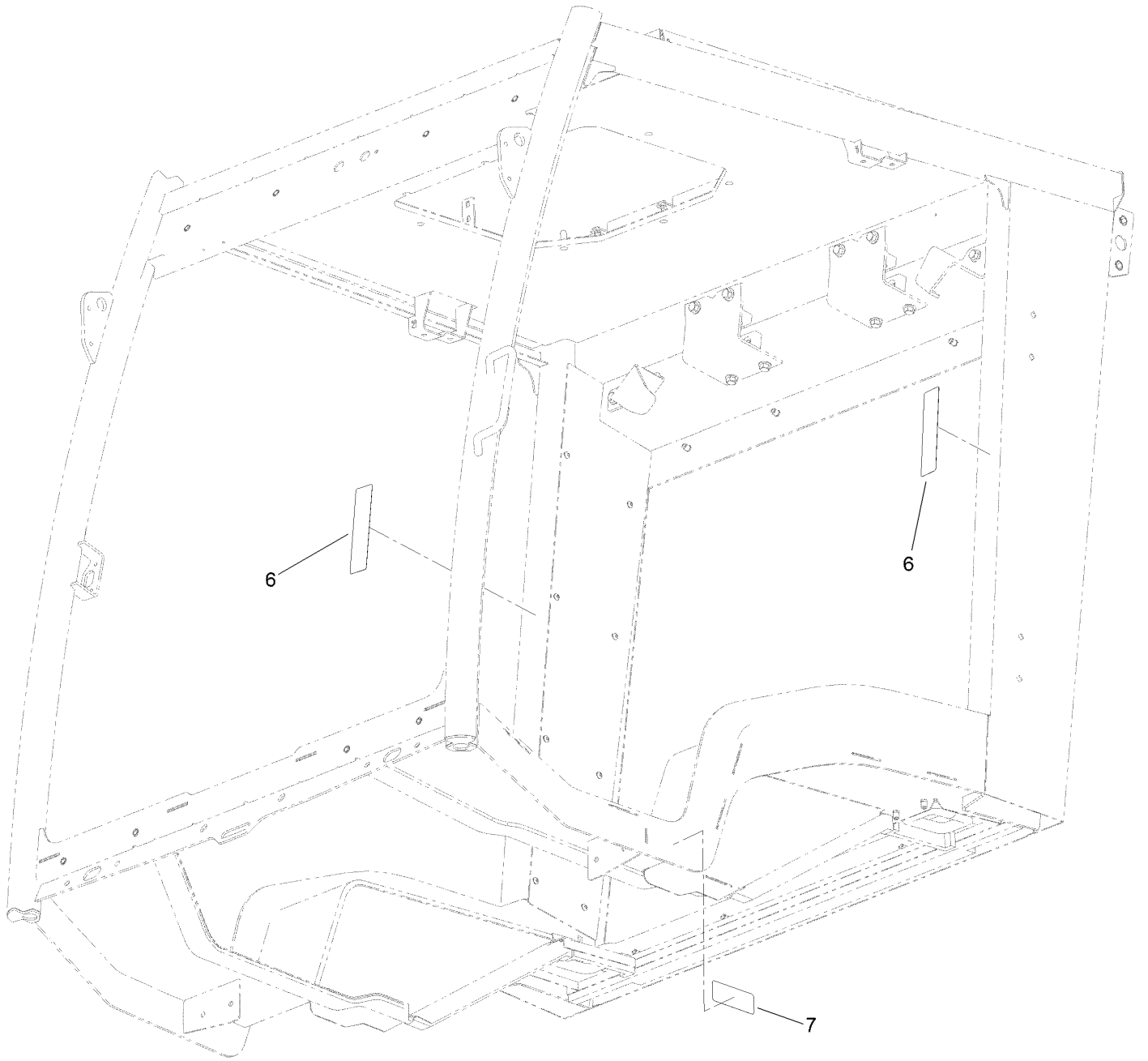


Cab Mirrors Assembly (continued)

| <i>Ref.</i> | <i>Part Number</i> | <i>Qty.</i> | <i>Description</i> | <i>Ref.</i> | <i>Part Number</i> | <i>Qty.</i> | <i>Description</i> |
|-------------|--------------------|-------------|---------------------|-------------|--------------------|-------------|--------------------|
| 1 | 121-8275 | 2 | Arm-Mirror, Side | 3:1 | | 1 | Mirror-Glass ● |
| 2 | 121-8341 | 2 | Side Mirror ASM | 3:2 | | 1 | Gasket ● |
| 2:1 | | 1 | Mirror-Glass ● | 4 | 33103-016 | 4 | Screw-HHF |
| 2:2 | | 1 | Gasket ● | 5 | 32144-32 | 2 | Screw-PPH |
| 3 | 121-8343 | 1 | Interior Mirror ASM | | | | |

● Not serviced separately

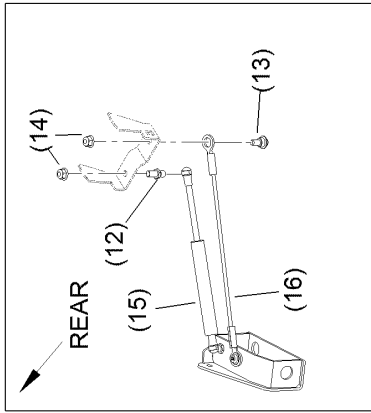
Decal Assembly



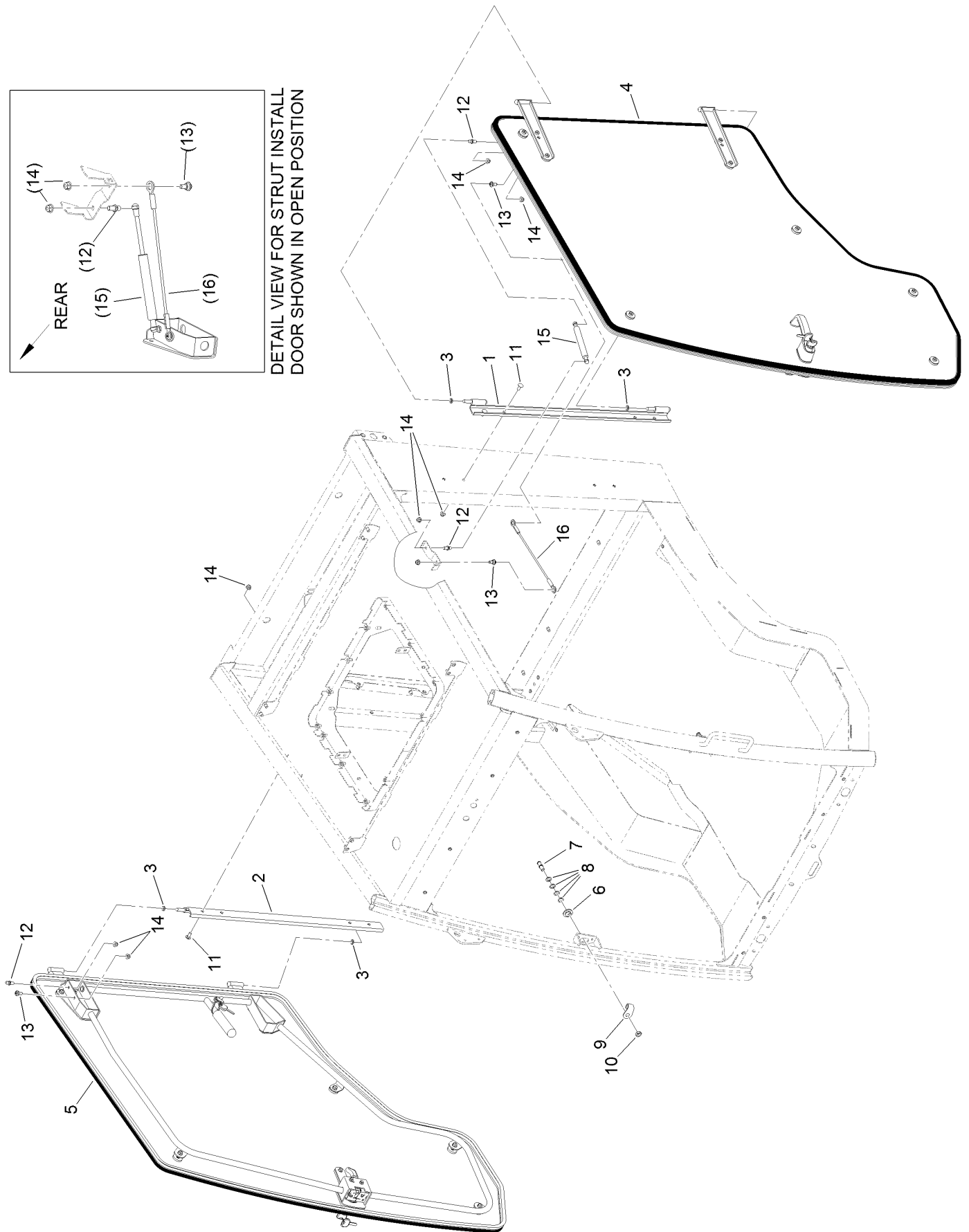
Decal Assembly (continued)

| <i>Ref.</i> | <i>Part Number</i> | <i>Qty.</i> | <i>Description</i> |
|-------------|--------------------|-------------|---------------------|
| 6 | 130-0594 | 2 | Decal-Warning |
| 7 | 106-9206 | 2 | Decal-Torque, Wheel |

Door Assembly



DETAIL VIEW FOR STRUT INSTALL
DOOR SHOWN IN OPEN POSITION



Door Assembly (continued)

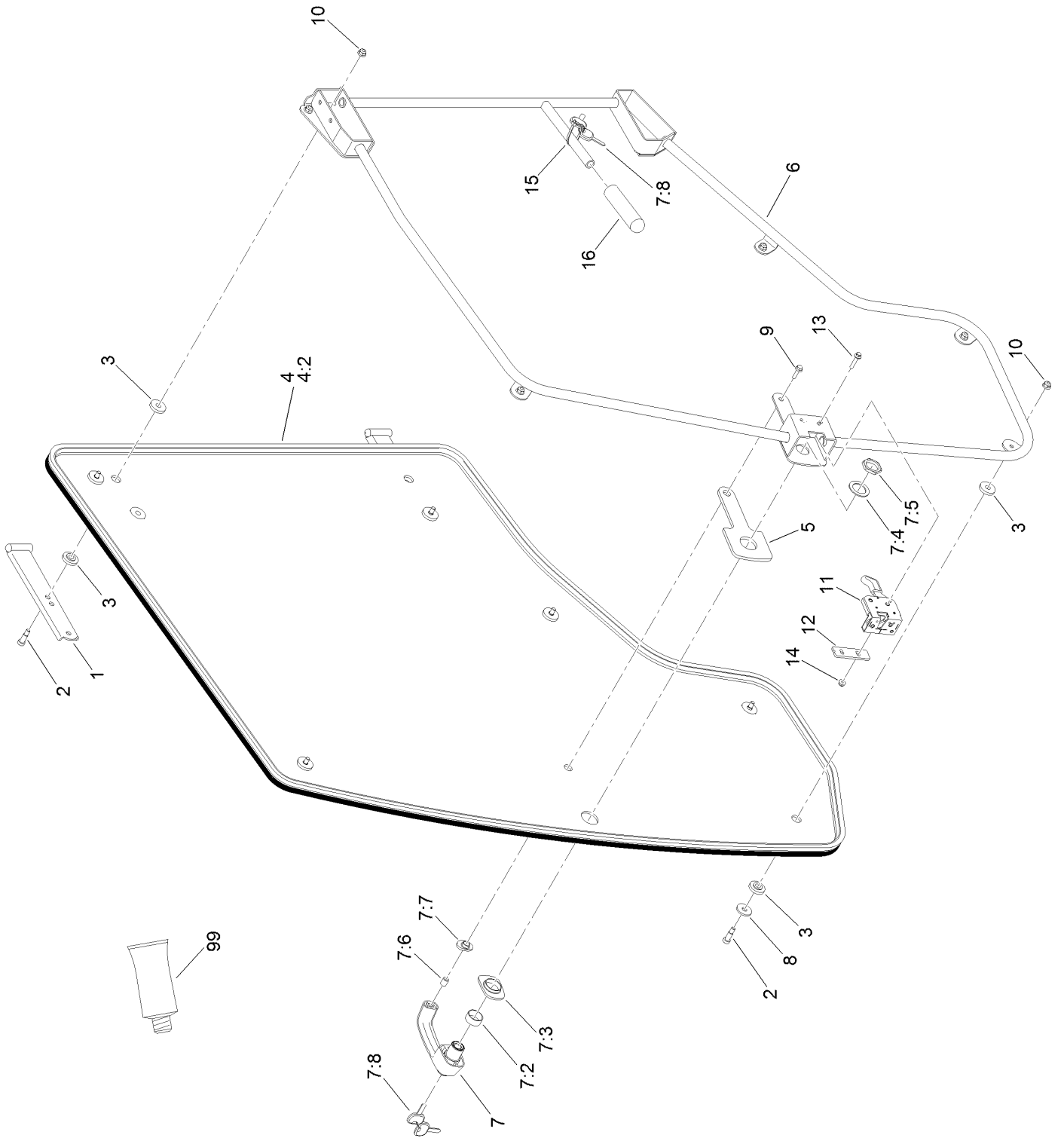
| <i>Ref.</i> | <i>Part Number</i> | <i>Qty.</i> | <i>Description</i> | <i>Ref.</i> | <i>Part Number</i> | <i>Qty.</i> | <i>Description</i> |
|-------------|--------------------|-------------|--------------------|-------------|--------------------|-------------|--------------------|
| 1 | 138-2944-03 | 1 | Mount-Door, LH | 9 | 121-8393 | 2 | Guard-Striker |
| 2 | 138-2945-03 | 1 | Mount-Door, RH | 10 | 140-4431 | 2 | Nut-Hex, Jam |
| 3 | 121-8441 | 4 | Washer-Spacer | 11 | 3230-23 | 8 | Bolt-CARR |
| 4 | | 1 | LH Door ASM ● | 12 | 98-3104 | 4 | Stud-Ball |
| 5 | | 1 | RH Door ASM ● | 13 | 120-9471 | 4 | Bolt-Shoulder |
| 6 | 125-9992 | 2 | Adjuster-Stud | 14 | 104-8300 | 16 | Nut-HF, NI |
| 7 | 140-4422 | 2 | Striker-Stud | 15 | 144-3517 | 2 | Spring-Gas, Door |
| 8 | 73-0040 | 8 | Washer-Thrust | 16 | 140-1636 | 2 | Lanyard-Coated |

● Not serviced separately

LH Door Assembly (continued)

| <i>Ref.</i> | <i>Part Number</i> | <i>Qty.</i> | <i>Description</i> | <i>Ref.</i> | <i>Part Number</i> | <i>Qty.</i> | <i>Description</i> |
|-------------|--------------------|-------------|-------------------------|-------------|--------------------|-------------|-------------------------|
| 1 | 132-3622-03 | 2 | Hinge-Door, LH | 7:6 | 121-8627 | 1 | Cylinder-Mounting, End |
| 2 | 125-9520 | 9 | Screw-Shoulder, HSH | 7:7 | 121-8323 | 1 | Grommet-Mounting, Small |
| 3 | 125-9982 | 18 | Bushing-Flange | 7:8 | 125-9531 | 1 | Key-Set |
| 4 | 137-1207 | 1 | LH Glass Door ASM | 8 | 125-9676 | 5 | Washer-Backup |
| 4:2 | 137-1205 | 1 | Trim-Seal, Door | 9 | 33103-025 | 1 | Screw-HHF |
| 5 | 121-8331 | 1 | Gasket-Handle | 10 | 104-8300 | 9 | Nut-HF, NI |
| 6 | 140-6552-03 | 1 | Frame-Door, LH | 11 | 121-8391 | 1 | Latch-LH |
| 7 | 121-8630 | 1 | Handle ASM | 12 | 121-8395 | 1 | Plate-Support, Latch |
| 7:2 | 121-8628 | 1 | Cylinder-Mounting, Key | 13 | 3234-21 | 2 | Screw-HHF |
| 7:3 | 121-8322 | 1 | Grommet-Mounting, Large | 14 | 104-7201 | 2 | Nut-HF, NI |
| 7:4 | 121-8327 | 1 | Washer | 15 | 3290-378 | 1 | Tie-Cable |
| 7:5 | 121-8328 | 1 | Nut | | | | |

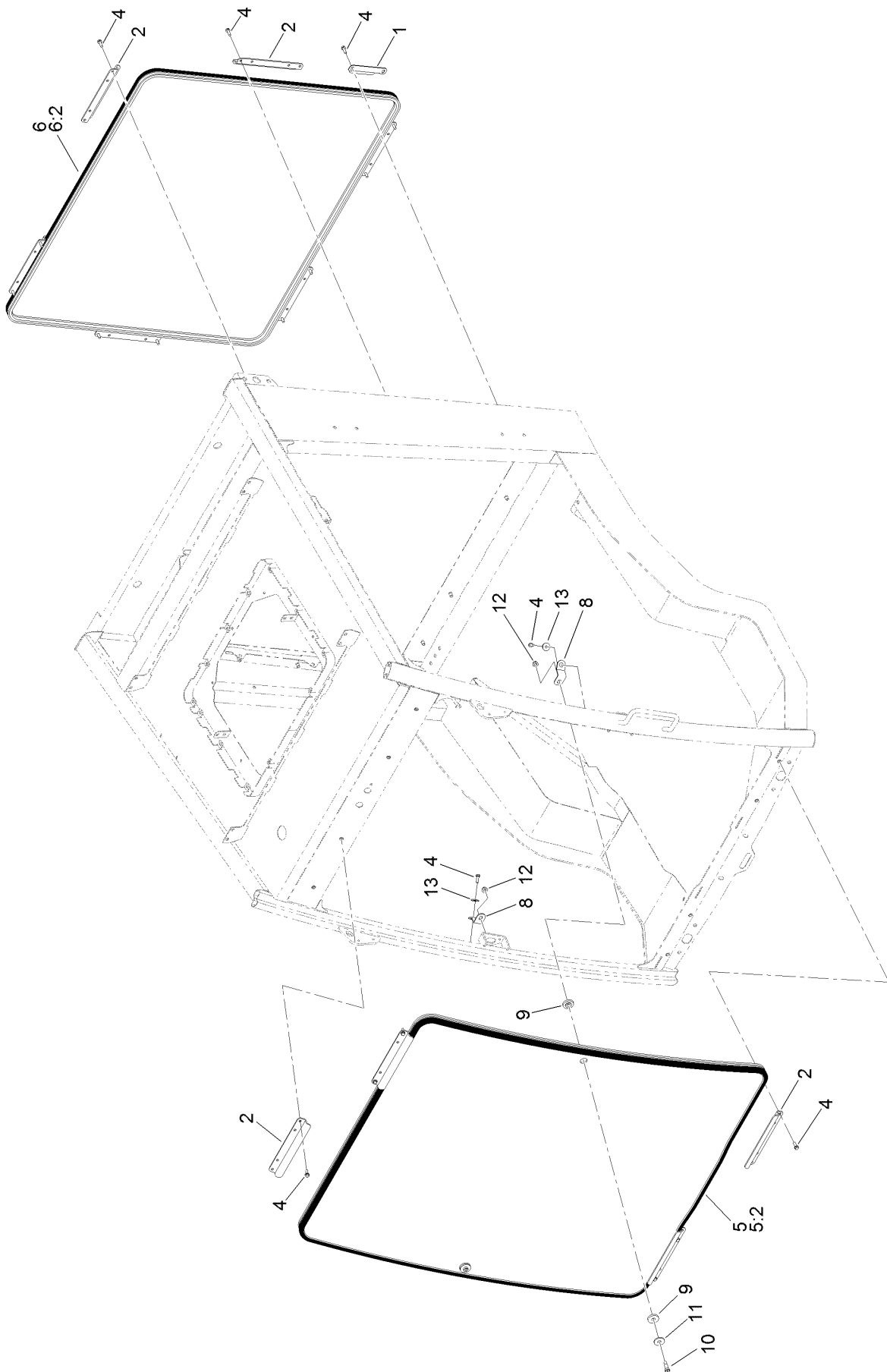
RH Door Assembly



RH Door Assembly (continued)

| <i>Ref.</i> | <i>Part Number</i> | <i>Qty.</i> | <i>Description</i> | <i>Ref.</i> | <i>Part Number</i> | <i>Qty.</i> | <i>Description</i> |
|-------------|--------------------|-------------|-------------------------|-------------|--------------------|-------------|-------------------------|
| 1 | 132-3636-03 | 2 | Hinge-Door, RH | 7:7 | 121-8323 | 1 | Grommet-Mounting, Small |
| 2 | 125-9520 | 9 | Screw-Shoulder, HSH | 7:8 | 125-9531 | 1 | Key-Set |
| 3 | 125-9982 | 18 | Bushing-Flange | 8 | 125-9676 | 5 | Washer-Backup |
| 4 | 137-1208 | 1 | RH Glass Door ASM | 9 | 33103-025 | 1 | Screw-HHF |
| 4:2 | 137-1205 | 1 | Trim-Seal, Door | 10 | 104-8300 | 9 | Nut-HF, NI |
| 5 | 121-8331 | 1 | Gasket-Handle | 11 | 121-8390 | 1 | Latch-RH |
| 6 | 140-6553-03 | 1 | Frame-Door, RH | 12 | 121-8395 | 1 | Plate-Support, Latch |
| 7 | 121-8630 | 1 | Handle ASM | 13 | 3234-21 | 2 | Screw-HHF |
| 7:2 | 121-8628 | 1 | Cylinder-Mounting, Key | 14 | 104-7201 | 2 | Nut-HF, NI |
| 7:3 | 121-8322 | 1 | Grommet-Mounting, Large | 15 | 3290-378 | 1 | Tie-Cable |
| 7:4 | 121-8327 | 1 | Washer | 16 | 110-1037 | 1 | Grip-Handle |
| 7:5 | 121-8328 | 1 | Nut | 99 | 505-42 | 1 | Adhesive-Loctite |
| 7:6 | 121-8627 | 1 | Cylinder-Mounting, End | | | | |

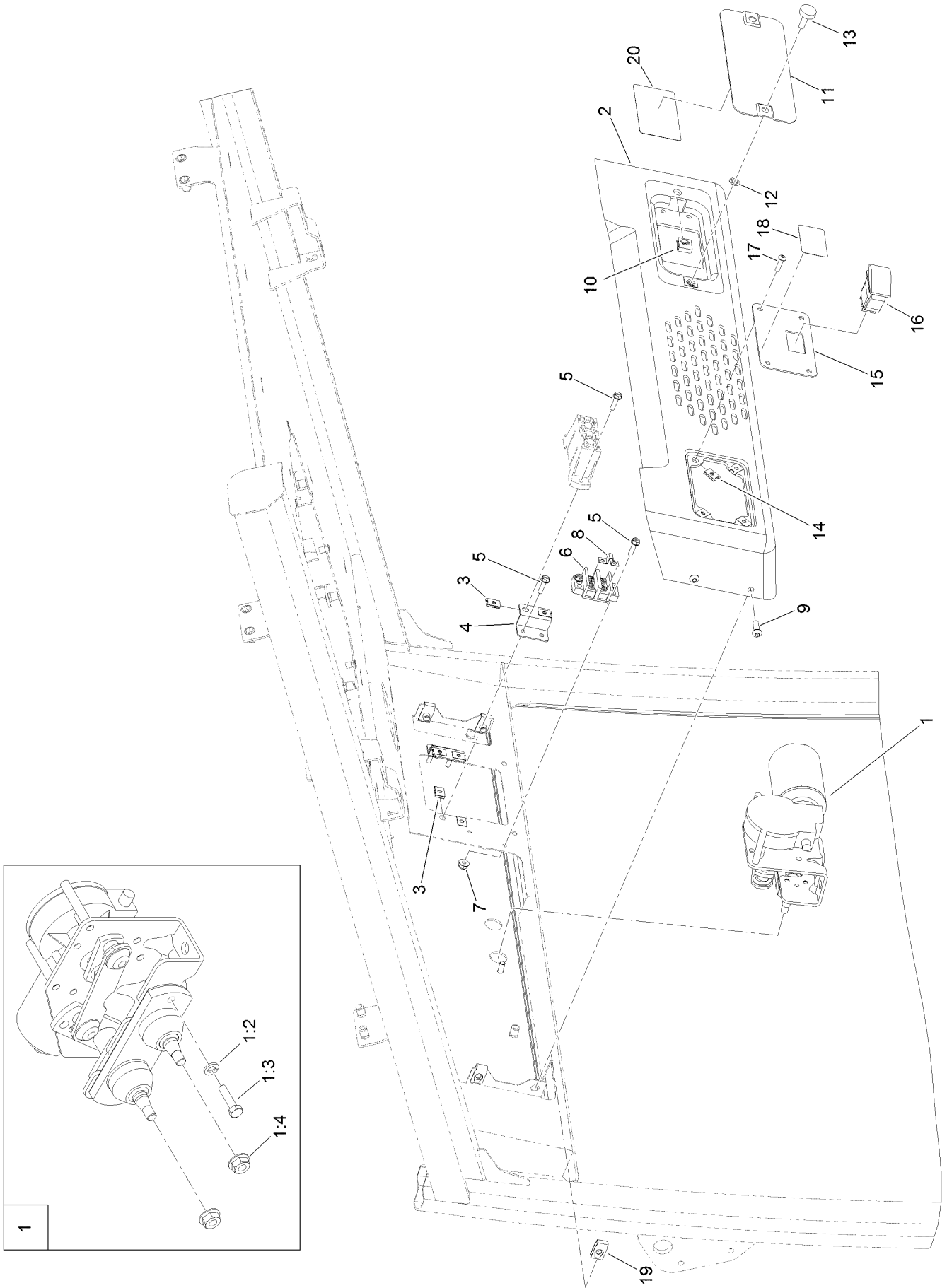
Front and Rear Glass Assembly



Front and Rear Glass Assembly (continued)

| <i>Ref.</i> | <i>Part Number</i> | <i>Qty.</i> | <i>Description</i> | <i>Ref.</i> | <i>Part Number</i> | <i>Qty.</i> | <i>Description</i> |
|-------------|--------------------|-------------|-----------------------|-------------|--------------------|-------------|-----------------------|
| 1 | 140-6575-03 | 2 | Bracket-Cover | 8 | 140-4432 | 2 | Bracket-Mount, Window |
| 2 | 139-2313-03 | 10 | Bracket-Retainer | 9 | 125-9982 | 4 | Bushing-Flange |
| 4 | 32105-15 | 26 | Screw-HWH | 10 | 125-9520 | 2 | Screw-Shoulder, HSH |
| 5 | 137-1209 | 1 | Glass Windshield ASM | 11 | 125-9676 | 2 | Washer-Backup |
| 5:2 | 139-2263 | 1 | Trim-Seal, Windshield | 12 | 104-8300 | 2 | Nut-HF, NI |
| 6 | 139-1971 | 1 | Rear Window ASM | 13 | 3256-67 | 2 | Washer |
| 6:2 | 138-2895 | 1 | Trim-Glass.Rear | | | | |

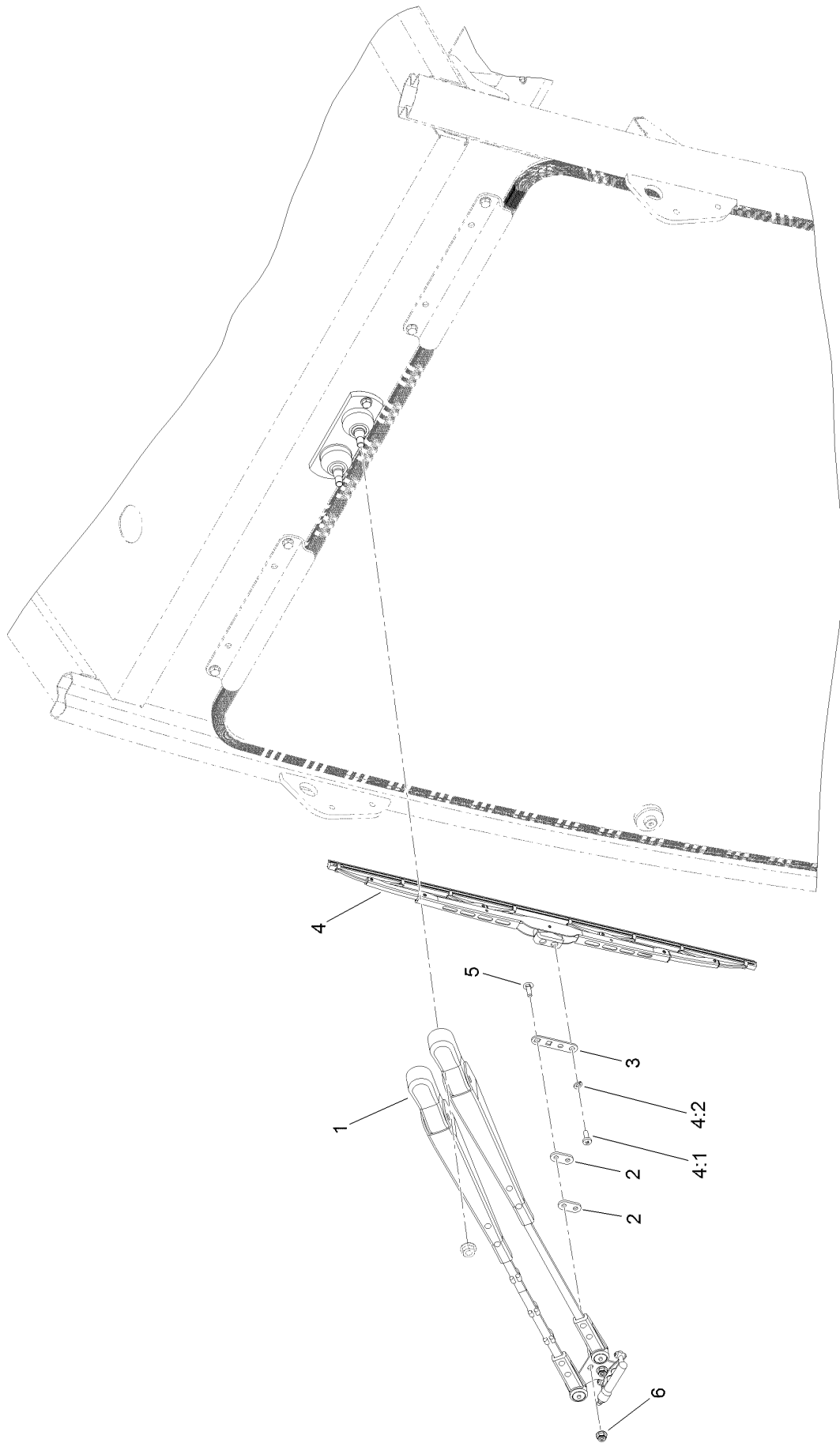
Window Wiper System Assembly



Window Wiper System Assembly (continued)

| <i>Ref.</i> | <i>Part Number</i> | <i>Qty.</i> | <i>Description</i> | <i>Ref.</i> | <i>Part Number</i> | <i>Qty.</i> | <i>Description</i> |
|-------------|--------------------|-------------|------------------------|-------------|--------------------|-------------|---------------------|
| 1 | 125-7452 | 1 | Wiper Motor ASM | 10 | 609900 | 2 | Nut-Speed |
| 1:2 | 3253-3 | 1 | Washer-Lock | 11 | 125-9603-03 | 1 | Plate-Cover, Fuse |
| 1:3 | 33113-025 | 1 | Screw-HH | 12 | 32115-15 | 4 | Nut-Push |
| 1:4 | 112-2844 | 2 | Nut-HF | 13 | 125-7438 | 2 | Knob-Screw, Thumb |
| 2 | 138-2764 | 1 | Cover-Wiper | 14 | 701493 | 4 | Nut-Speed |
| 3 | 107-1013 | 6 | Nut-Speed | 15 | 139-2048-03 | 1 | Plate-Mount, Switch |
| 4 | 138-2822 | 2 | Bracket-Fuse Block | 16 | 119-8355 | 1 | Switch-Rocker |
| 5 | 32105-13 | 8 | Screw-HWH | 17 | 104-2408 | 4 | Screw-HSBH |
| 6 | 42862 | 1 | Block-Terminal, Ground | 18 | 125-9688 | 1 | Decal-Washer |
| 7 | 120-4578 | 2 | Nut-HF | 19 | 107069 | 4 | Clip |
| 8 | 42863 | 1 | Strip-Jumper | 20 | 140-6632 | 1 | Decal-Fuse Panel |
| 9 | 3274-69 | 4 | Screw-HSBH | | | | |

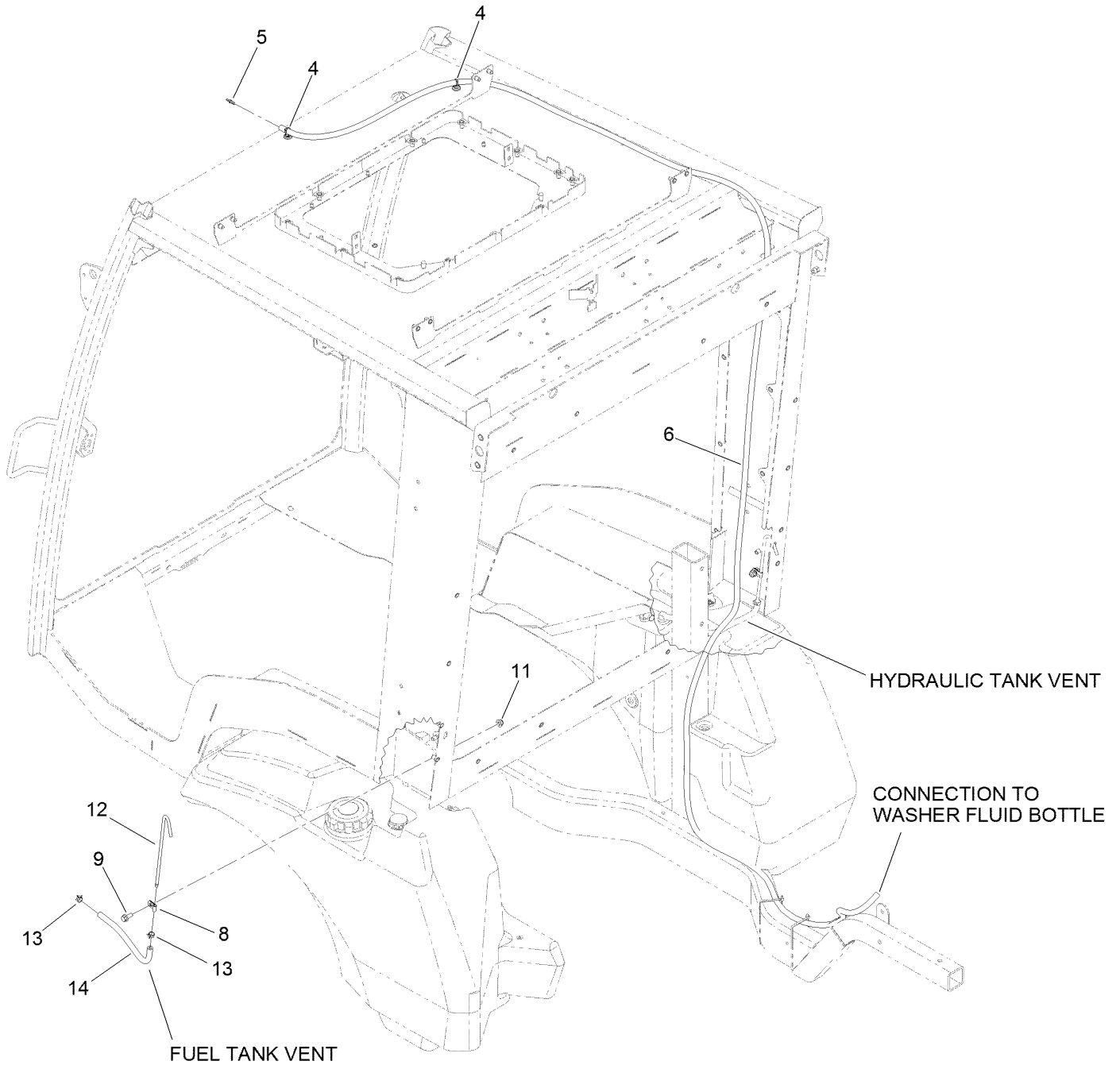
Window Wiper Assembly



Window Wiper Assembly (continued)

| <i>Ref.</i> | <i>Part Number</i> | <i>Qty.</i> | <i>Description</i> | <i>Ref.</i> | <i>Part Number</i> | <i>Qty.</i> | <i>Description</i> |
|-------------|--------------------|-------------|---------------------|-------------|--------------------|-------------|---------------------|
| 1 | 137-1114 | 1 | Arm-Wiper | 4:1 | 47-2830 | 2 | Screw |
| 2 | 139-2250 | 2 | Mount-Wiper, Spacer | 4:2 | 43-5920 | 2 | Washer-Lock, Spring |
| 3 | 140-6556 | 1 | Mount-Wiper | 5 | 3229-20 | 2 | Screw-CARR |
| 4 | 137-1127 | 1 | Blade-Wiper | 6 | 138-0719 | 2 | Nut-HF |

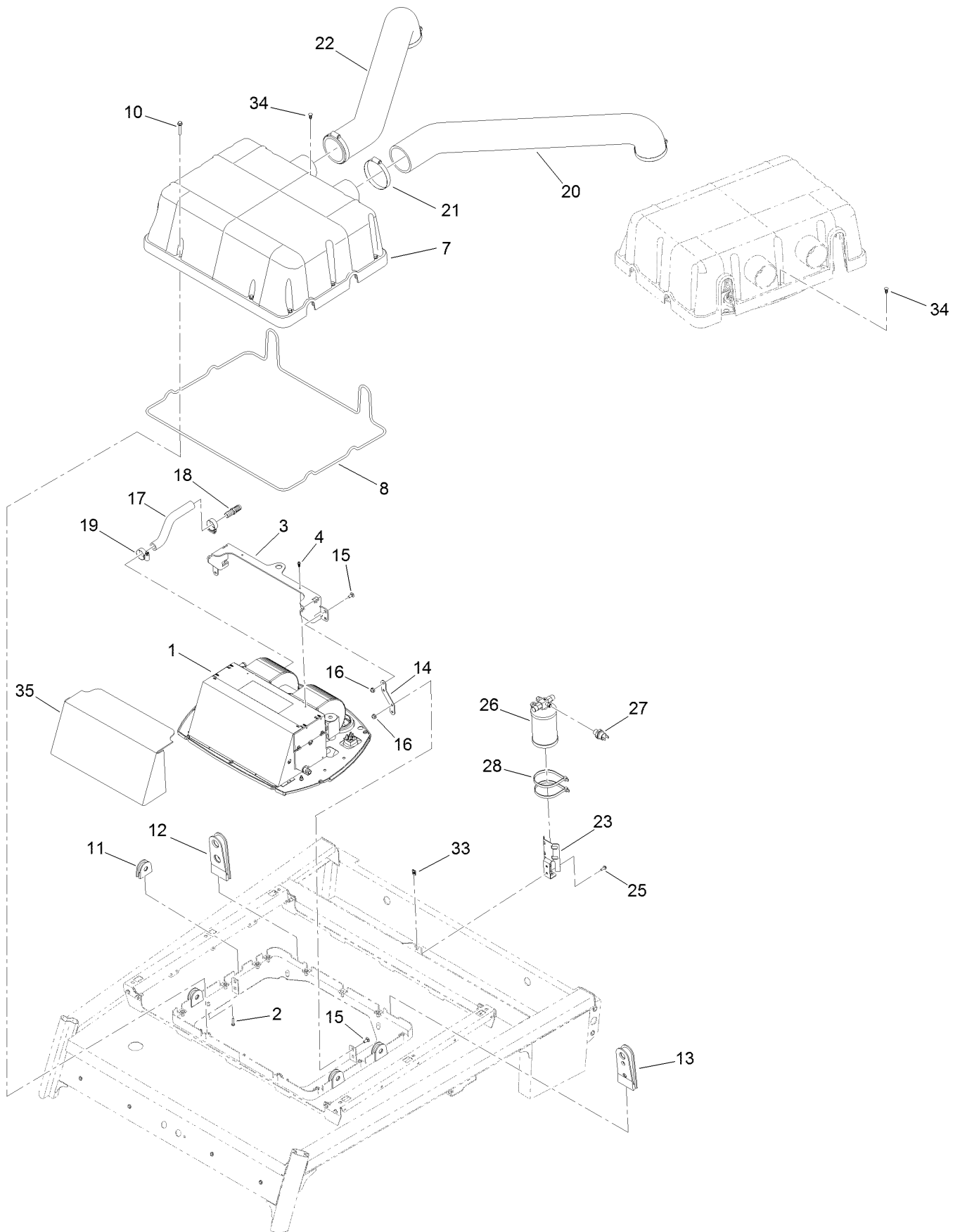
Window Wiper Hose Assembly



Window Wiper Hose Assembly (continued)

| <i>Ref.</i> | <i>Part Number</i> | <i>Qty.</i> | <i>Description</i> | <i>Ref.</i> | <i>Part Number</i> | <i>Qty.</i> | <i>Description</i> |
|-------------|--------------------|-------------|--------------------------|-------------|--------------------|-------------|--------------------|
| 4 | 32180-139 | 2 | Mount-Tie Wrap, Magnetic | 11 | 104-8300 | 2 | Nut-HF, NI |
| 5 | 127-9905 | 1 | Fitting-Hose, Barb | 12 | 139-6252 | 2 | Tube-Vent |
| 6 | 139-2175 | 1 | Hose-Washer Fluid | 13 | 2412-98 | 2 | Clamp-Hose |
| 8 | 2412-103 | 2 | Clamp | 14 | 139-6253 | 2 | Hose-Fuel |
| 9 | 3234-47 | 2 | Screw-HHF | | | | |

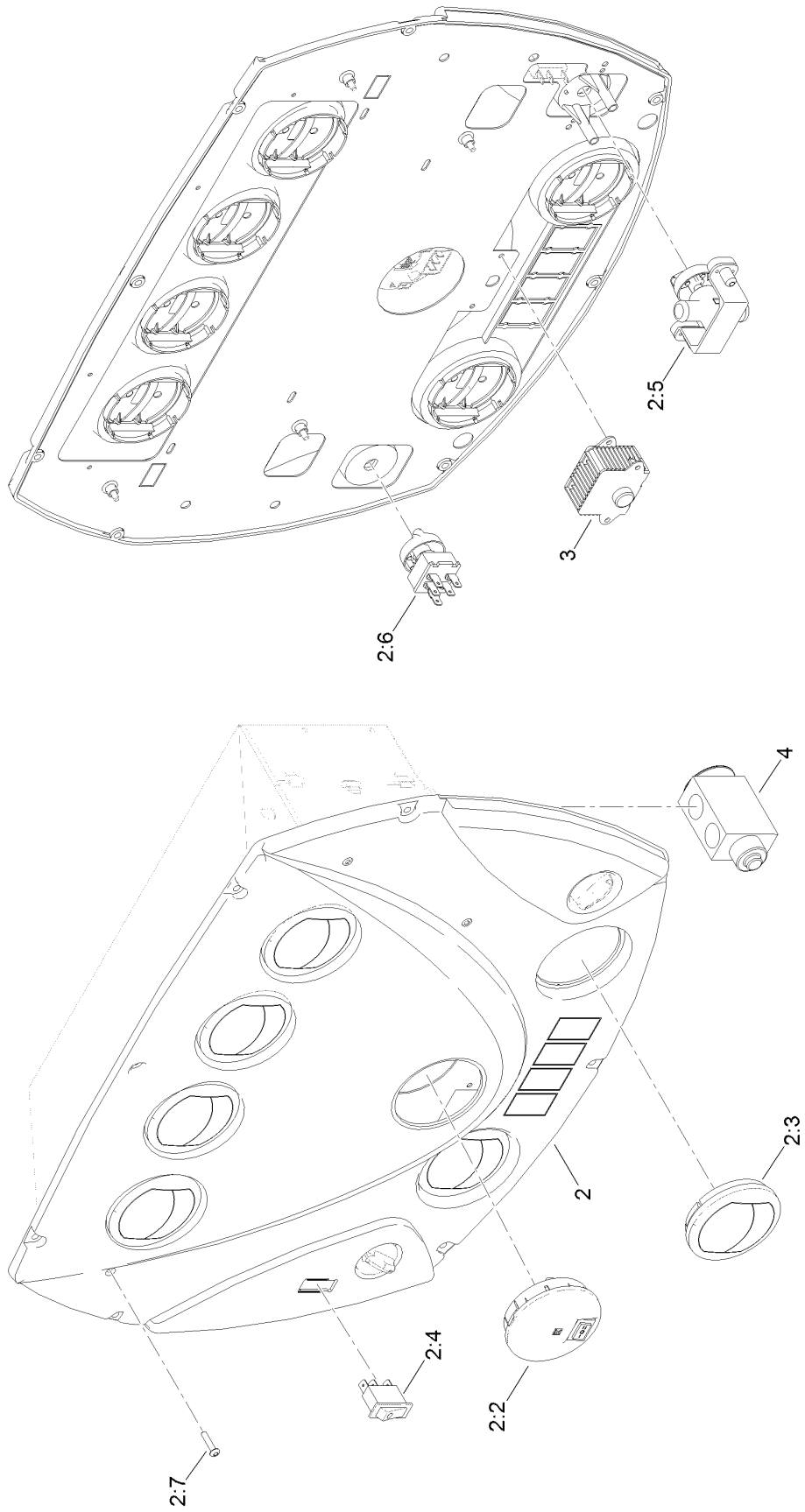
Heater Assembly



Heater Assembly (continued)

| <i>Ref.</i> | <i>Part Number</i> | <i>Qty.</i> | <i>Description</i> | <i>Ref.</i> | <i>Part Number</i> | <i>Qty.</i> | <i>Description</i> |
|-------------|--------------------|-------------|-----------------------|-------------|--------------------|-------------|-----------------------|
| 1 | 139-2308 | 1 | AC/Heat ASM | 18 | 131-3373 | 1 | Fitting-STR |
| 2 | 3250-27 | 8 | Screw-PPH | 19 | 2412-129 | 2 | Clamp-Hose |
| 3 | 139-2317-03 | 1 | Mount-Install | 20 | 139-1928 | 1 | Hose-Intake, LH |
| 4 | 137-9137 | 6 | Screw-PPH | 21 | 2412-110 | 4 | Clamp-Band/Screw |
| 7 | 138-2827 | 1 | Cover-A/C | 22 | 139-1929 | 1 | Hose-Intake, RH |
| 8 | 138-2831 | 1 | Seal-Cord, Foam | 23 | 138-2790 | 1 | Bracket-Mount, Drier |
| 10 | 131-5927 | 11 | Screw-HHF | 25 | 32105-23 | 2 | Screw |
| 11 | 140-6566 | 4 | Plug - A/C Drain Line | 26 | 130-5999 | 1 | Drier-Receiver |
| 12 | 138-2816 | 1 | Plug-Lines, Heat | 27 | 119-4501 | 1 | Switch-Function, Dual |
| 13 | 140-1624 | 1 | Plug-A/C Lines | 28 | 3334-945 | 2 | Tie-Cable |
| 14 | 139-2316 | 2 | Support-AC | 33 | 701493 | 2 | Nut-Speed |
| 15 | 3229-11 | 8 | Screw-CARR | 34 | 114-4899 | 1 | Rivet-Push |
| 16 | 104-7201 | 8 | Nut-HF, NI | 35 | 140-6646 | 1 | Insulation-AC |
| 17 | 139-2177 | 1 | Hose-Heater, Formed | | | | |

Heater Control Panel Assembly

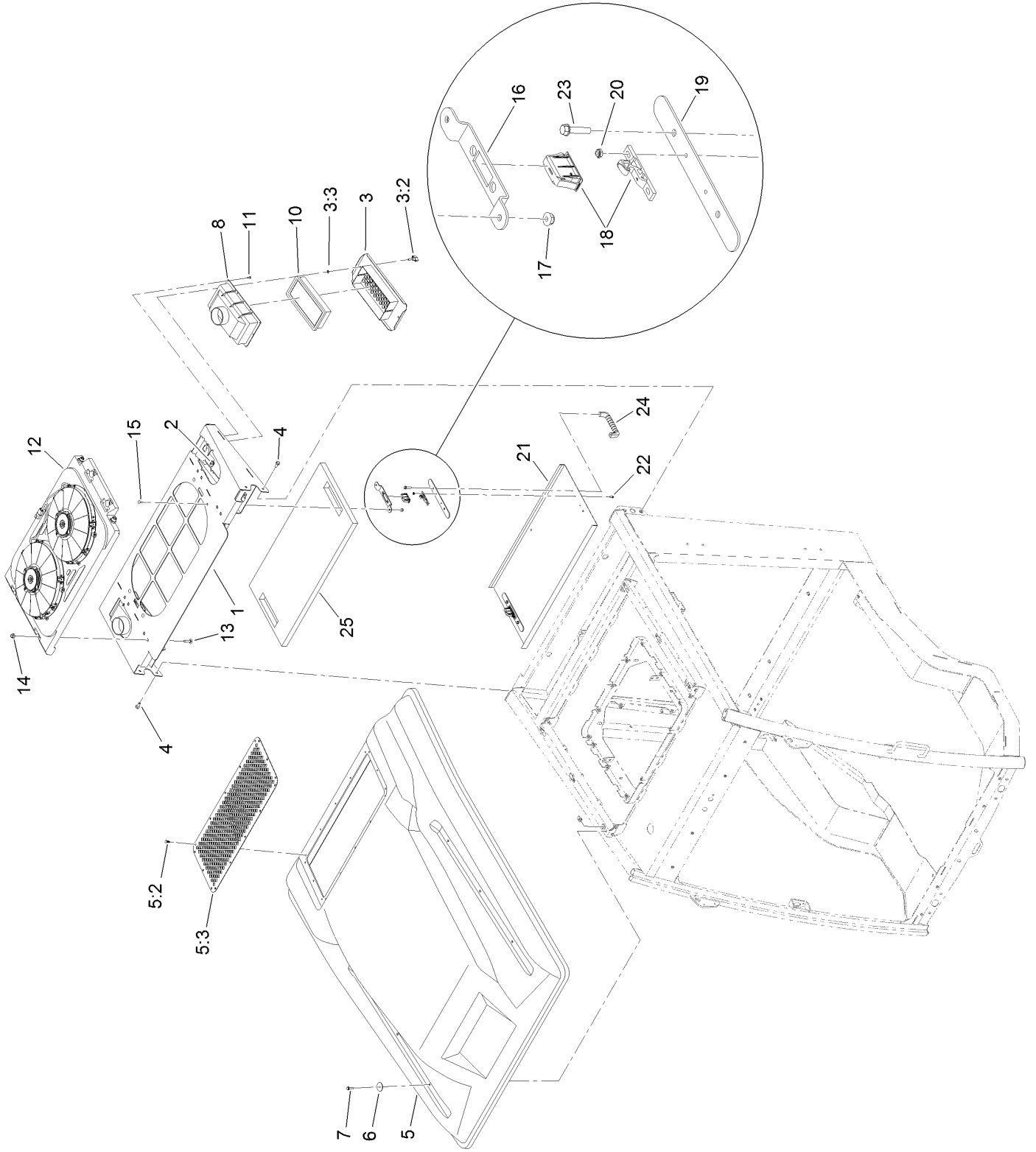


Heater Control Panel Assembly (continued)

| <i>Ref.</i> | <i>Part Number</i> | <i>Qty.</i> | <i>Description</i> |
|-------------|--------------------|-------------|--------------------------|
| 2 | 137-1357 | 1 | Heater Control Panel ASM |
| 2:2 | 137-1378 | 1 | Light-Cab, Interior |
| 2:3 | 138-2959 | 6 | Vent-Return |
| 2:4 | 138-2958 | 1 | Switch-A/C |
| 2:5 | 138-2961 | 1 | Valve-Heat |

| <i>Ref.</i> | <i>Part Number</i> | <i>Qty.</i> | <i>Description</i> |
|-------------|--------------------|-------------|---------------------|
| 2:6 | 138-2956 | 1 | Switch-Fan |
| 2:7 | 119-7444 | 4 | Screw-HSBH |
| 3 | 138-2967 | 1 | Thermostat-Resistor |
| 4 | 138-2912 | 1 | Expansion-Valve |

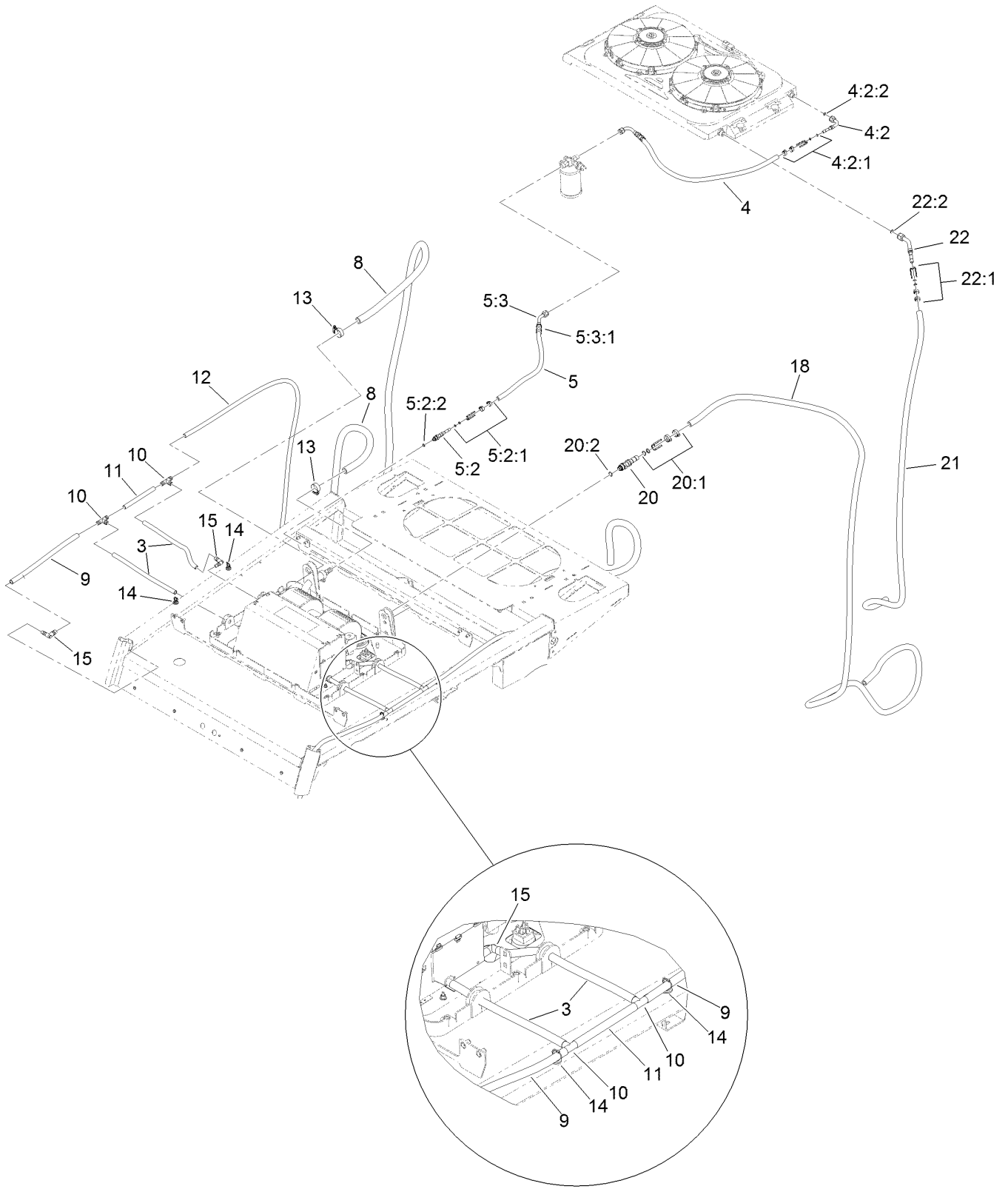
Roof, Air Filter and Condenser Assembly



Roof, Air Filter and Condenser Assembly (continued)

| <i>Ref.</i> | <i>Part Number</i> | <i>Qty.</i> | <i>Description</i> | <i>Ref.</i> | <i>Part Number</i> | <i>Qty.</i> | <i>Description</i> |
|-------------|--------------------|-------------|--------------------|-------------|--------------------|-------------|---------------------|
| 1 | 139-1958-03 | 1 | Wing-Rear | 12 | 138-2907 | 1 | Condenser |
| 2 | 107069 | 4 | Clip | 13 | 3231-28 | 4 | Screw-CARR |
| 3 | 137-1397 | 2 | Filter Cover ASM | 14 | 104-8301 | 4 | Nut-HF, NI |
| 3:2 | 126-5846 | 2 | Knob-T | 15 | 3229-11 | 4 | Screw-CARR |
| 3:3 | 32115-15 | 2 | Nut-Push | 16 | 138-2742 | 2 | Mount-Latch |
| 4 | 3234-47 | 4 | Screw-HHF | 17 | 104-7201 | 4 | Nut-HF, NI |
| 5 | 139-1898 | 1 | Roof ASM | 18 | 130-0643 | 2 | Latch-Push To Close |
| 5:2 | 138-2714-03 | 1 | Screen-Roof | 19 | 138-2744-03 | 2 | Plate-Backing |
| 5:3 | 114-4899 | 16 | Rivet-Push | 20 | 3296-54 | 4 | Nut-Lock |
| 6 | 136-7176 | 6 | Washer-Fender | 21 | 139-1923-03 | 1 | Pre-Filter, Screen |
| 7 | 120-4654 | 6 | Screw-HHF | 22 | 112-3169 | 4 | Screw-HHF, Serrated |
| 8 | 137-1281 | 2 | Box-Intake, Air | 23 | 137-3101 | 4 | Screw-Plastic, HWH |
| 10 | 121-8457 | 2 | Filter-Air | 24 | 65-5100 | 2 | Handle-Door |
| 11 | 3290-55 | 20 | Rivet-Pop | 25 | 139-1922 | 1 | Filter-Pre-Scren |

Heat Hose Assembly

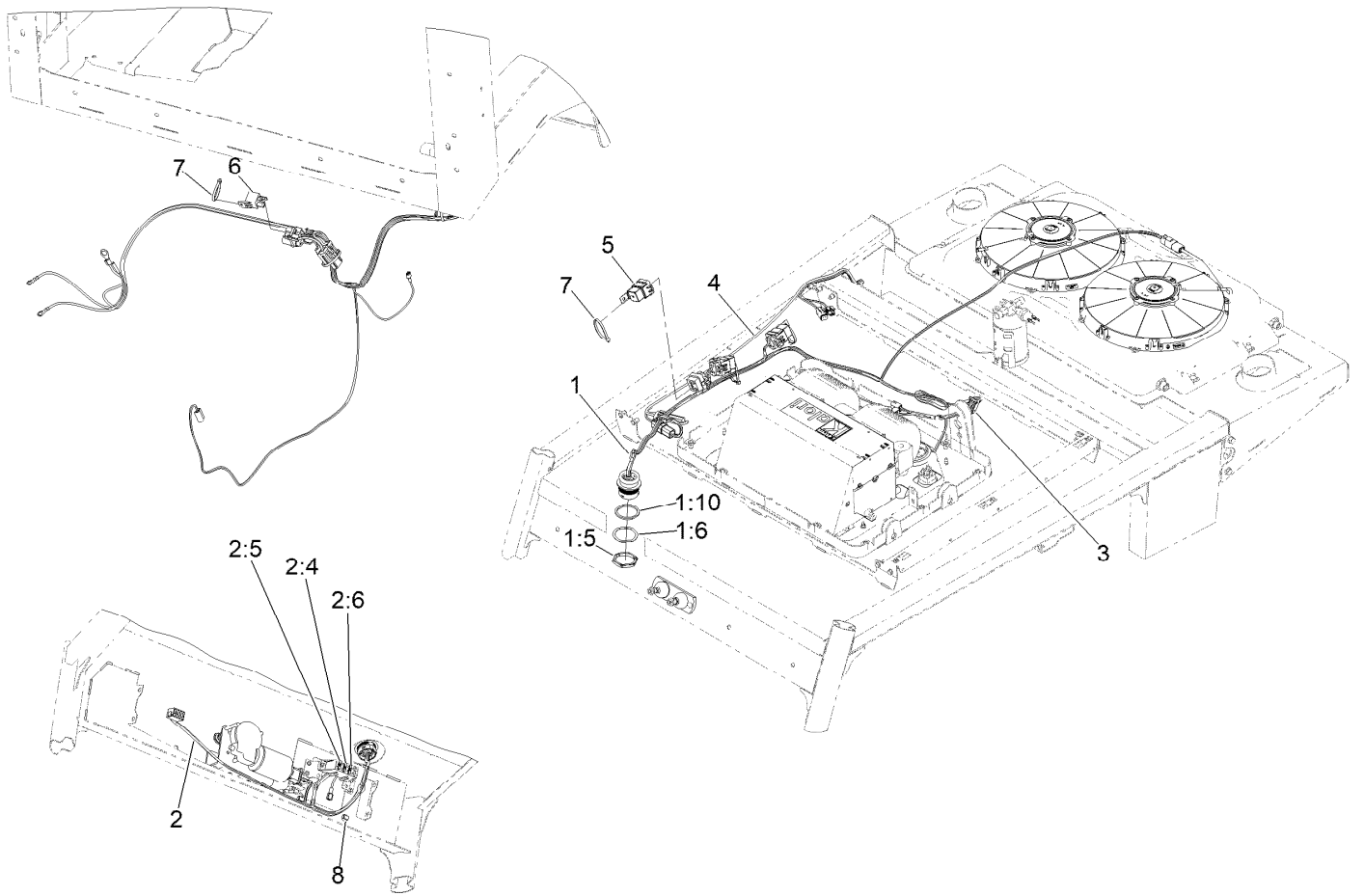


Heat Hose Assembly (continued)

| <i>Ref.</i> | <i>Part Number</i> | <i>Qty.</i> | <i>Description</i> | <i>Ref.</i> | <i>Part Number</i> | <i>Qty.</i> | <i>Description</i> |
|-------------|--------------------|-------------|------------------------|-------------|--------------------|-------------|--------------------------|
| 3 | 140-6573 | 4 | Hose-Drain | 11 | 139-1994 | 2 | Hose-Drain |
| 4 | 139-1983 | 1 | Hose ASM-AC | 12 | 139-1995 | 2 | Hose-Drain |
| 4:2 | 130-5751 | 2 | Fitting-Female, 90 DEG | 13 | 2412-119 | 2 | Clamp-Hose |
| 4:2:1 | 130-5772 | 1 | Fitting Kit | 14 | 32180-139 | 4 | Mount-Tie Wrap, Magnetic |
| 4:2:2 | 117-2778 | 1 | O-Ring | 15 | 139-2178 | 4 | Fitting-Elbow 90 |
| 5 | 139-1984 | 1 | Hose ASM-AC, Drier | 18 | 139-1991 | 1 | Hose-Refrigerant |
| 5:2 | 138-2963 | 1 | Fitting-Straight, Male | 20 | 130-5944 | 1 | Fitting-Male, Straight |
| 5:2:1 | 130-5772 | 1 | Fitting Kit | 20:1 | 130-5775 | 1 | Fitting Kit |
| 5:2:2 | 117-2778 | 1 | O-Ring | 20:2 | 117-2780 | 1 | O-Ring |
| 5:3 | 139-2251 | 1 | Ftg-45 DEG, Female | 21 | 139-1992 | 1 | Hose-Refrigerant |
| 5:3:1 | 130-5772 | 1 | Fitting Kit | 22 | 139-2252 | 1 | Ftg-45 DEG, Female |
| 8 | 139-1987 | 2 | Hose-Heater, 5/8 | 22:1 | 130-5773 | 1 | Fitting Kit |
| 9 | 139-1993 | 2 | Hose-Drain | 22:2 | 117-2779 | 1 | O-Ring |
| 10 | 138-2751 | 4 | Fitting-Tee, Barb | 24 | 130-8304 | 4 | Tape-Refrigeration ● |

● Not illustrated

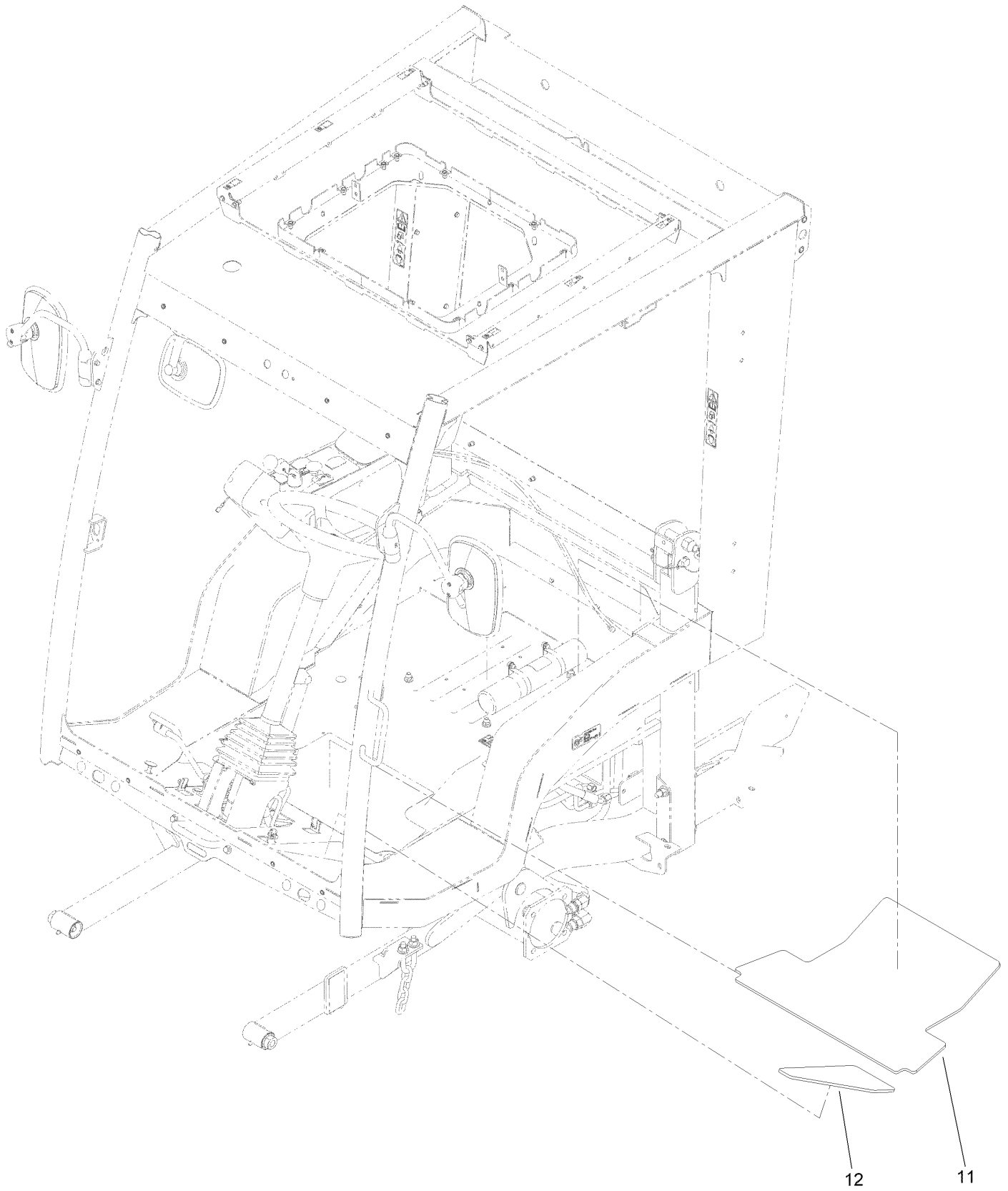
Electrical Component Assembly



Electrical Component Assembly (continued)

| <i>Ref.</i> | <i>Part Number</i> | <i>Qty.</i> | <i>Description</i> | <i>Ref.</i> | <i>Part Number</i> | <i>Qty.</i> | <i>Description</i> |
|-------------|--------------------|-------------|-------------------------|-------------|--------------------|-------------|-------------------------|
| 1 | 122-1245 | 1 | Harness-Wire, A/C Roof | 2:6 | 99-6124 | 1 | Fuse-40 Amp |
| 1:5 | 32180-135 | 1 | Nut-Connector | 3 | 122-1678 | 1 | Harness-Wire, Adapter |
| 1:6 | 32180-143 | 1 | Washer-Lock | 4 | 122-1435 | 1 | Harness-Wire, Cab Power |
| 1:10 | 161-7851 | 1 | Gasket-Receptacle | 5 | 99-7430 | 3 | Relay-Mini |
| 2 | 122-1660 | 1 | Harness-Wire, A/C Panel | 6 | 99-7435 | 1 | Relay |
| 2:4 | 109101 | 1 | Fuse-Blade, 20 Amp | 7 | 3290-378 | 6 | Tie-Cable |
| 2:5 | 109102 | 1 | Fuse-Blade, 25 Amp | 8 | 32180-030 | 2 | Clip-Tie |

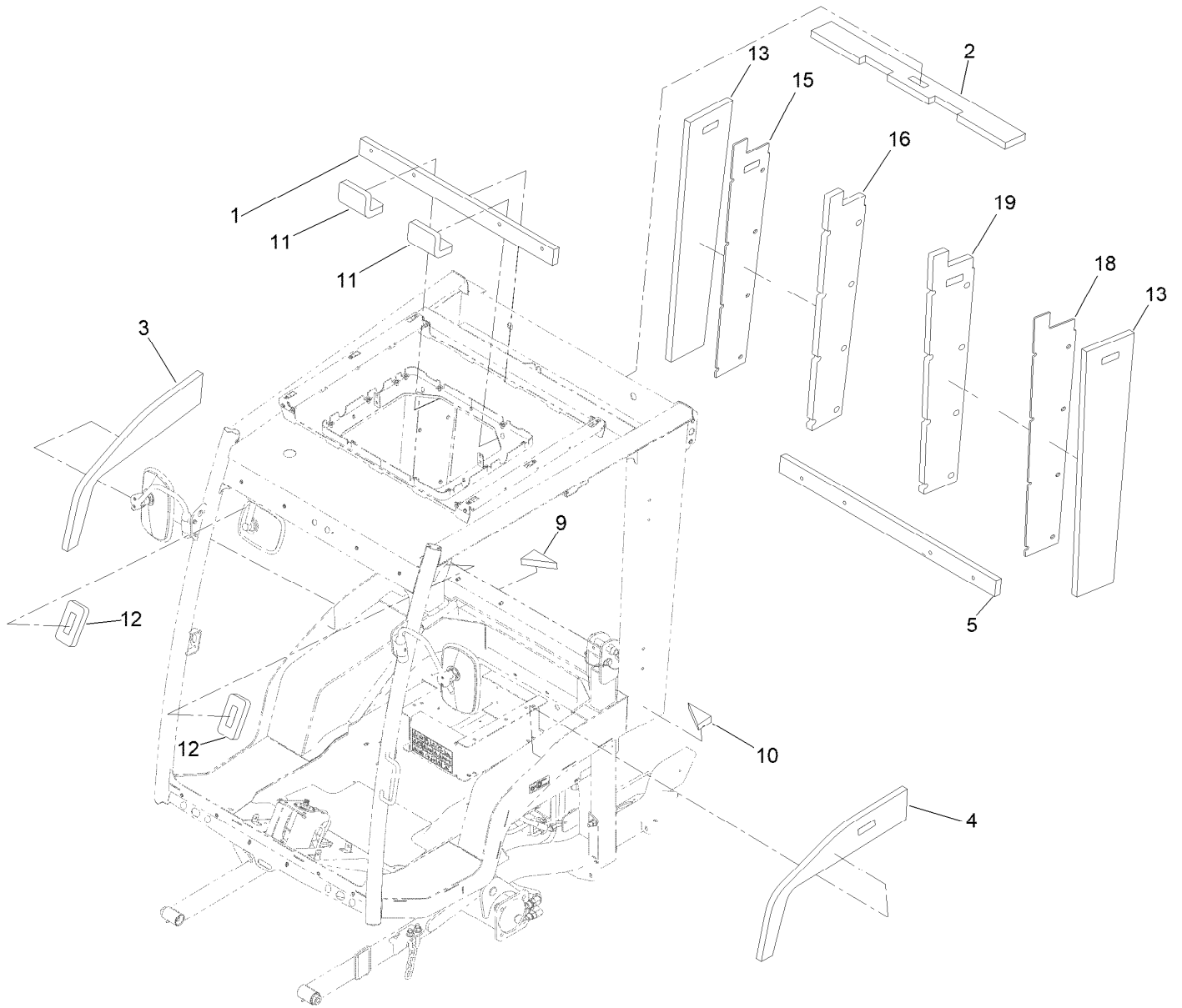
Floor Sound Reduction Assembly



Floor Sound Reduction Assembly (continued)

| <i>Ref.</i> | <i>Part Number</i> | <i>Qty.</i> | <i>Description</i> |
|-------------|--------------------|-------------|--------------------|
| 11 | 144-3233 | 1 | Floor-Pad, Center |
| 12 | 144-3234 | 1 | Floor-Pad, Corner |

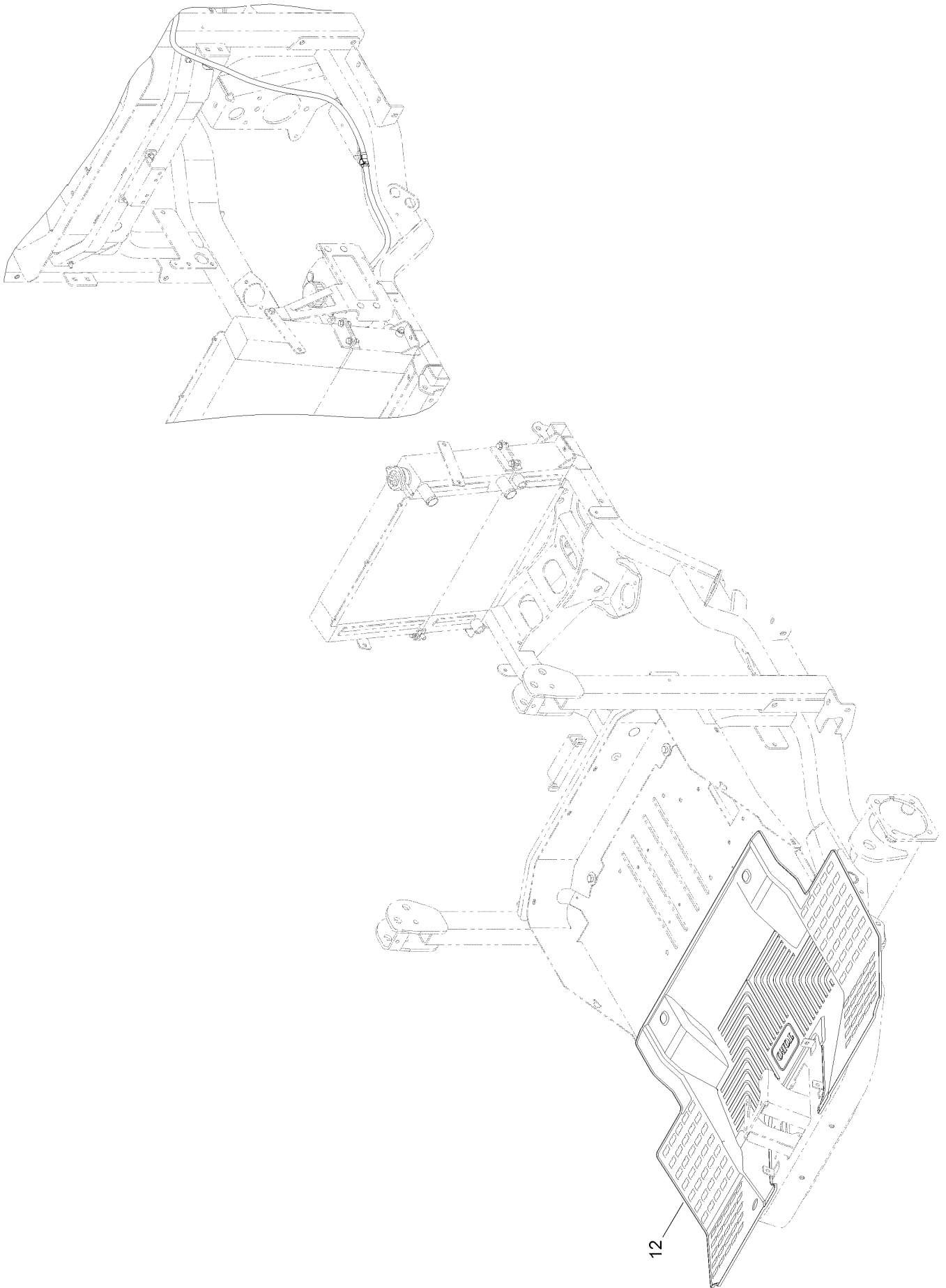
Cab Sound Reduction Assembly



Cab Sound Reduction Assembly (continued)

| <i>Ref.</i> | <i>Part Number</i> | <i>Qty.</i> | <i>Description</i> | <i>Ref.</i> | <i>Part Number</i> | <i>Qty.</i> | <i>Description</i> |
|-------------|--------------------|-------------|--------------------|-------------|--------------------|-------------|------------------------------|
| 1 | 140-6886 | 1 | Rear-Window | 12 | 144-3238 | 2 | Dash-Pad |
| 2 | 140-6887 | 1 | Rear-Ceiling | 13 | 140-6884 | 2 | Pillar-Pad, Rear |
| 3 | 140-6888 | 1 | Side-Door, RH | 15 | 140-6737 | 1 | Panel-Sound Dampening, RH |
| 4 | 140-6889 | 1 | Side-Door, LH | 16 | 144-3235 | 1 | Pillar-Pad, Rear RH |
| 5 | 140-6890 | 1 | Rear-Window | 18 | 140-6738 | 1 | Panel-Sound, Dampening LH |
| 9 | 140-6894 | 1 | Tile-Corner, RH | 19 | 144-3236 | 1 | Pillar-Pad, Rear LH |
| 10 | 140-6895 | 1 | Tile-Corner, LH | | | | |
| 11 | 144-3237 | 2 | ROPS-Pad | | | | |

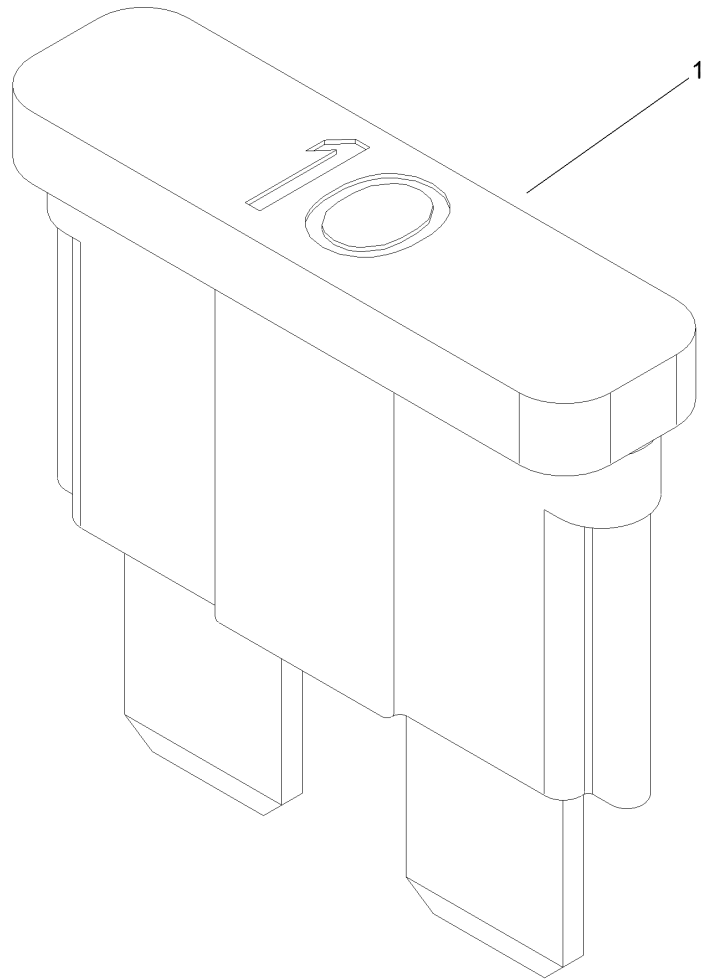
Floormat Assembly



Floormat Assembly (continued)

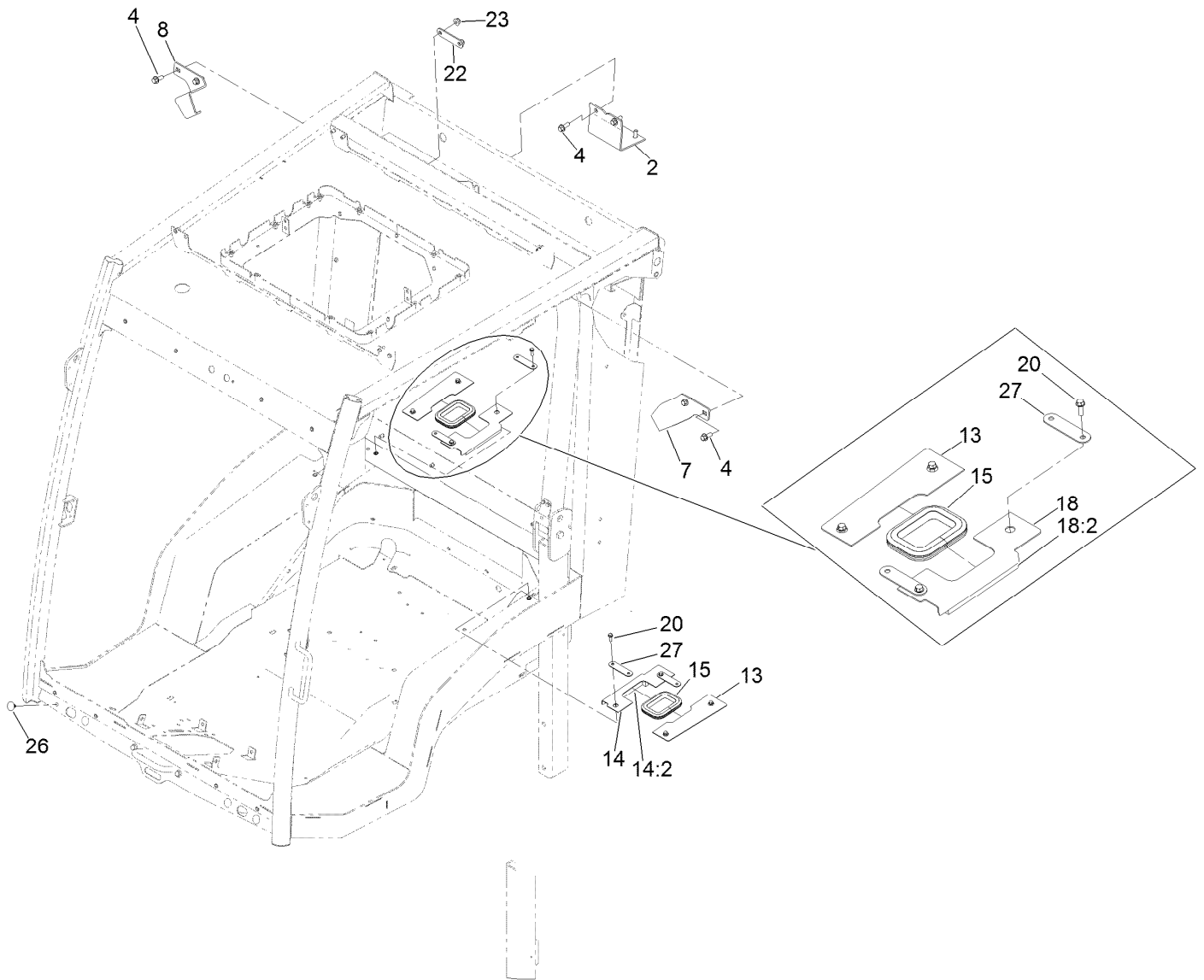
| <i>Ref.</i> | <i>Part Number</i> | <i>Qty.</i> | <i>Description</i> |
|-------------|--------------------|-------------|--------------------|
| 12 | 139-2026 | 1 | Floormat-Platform |

Fuse Assembly



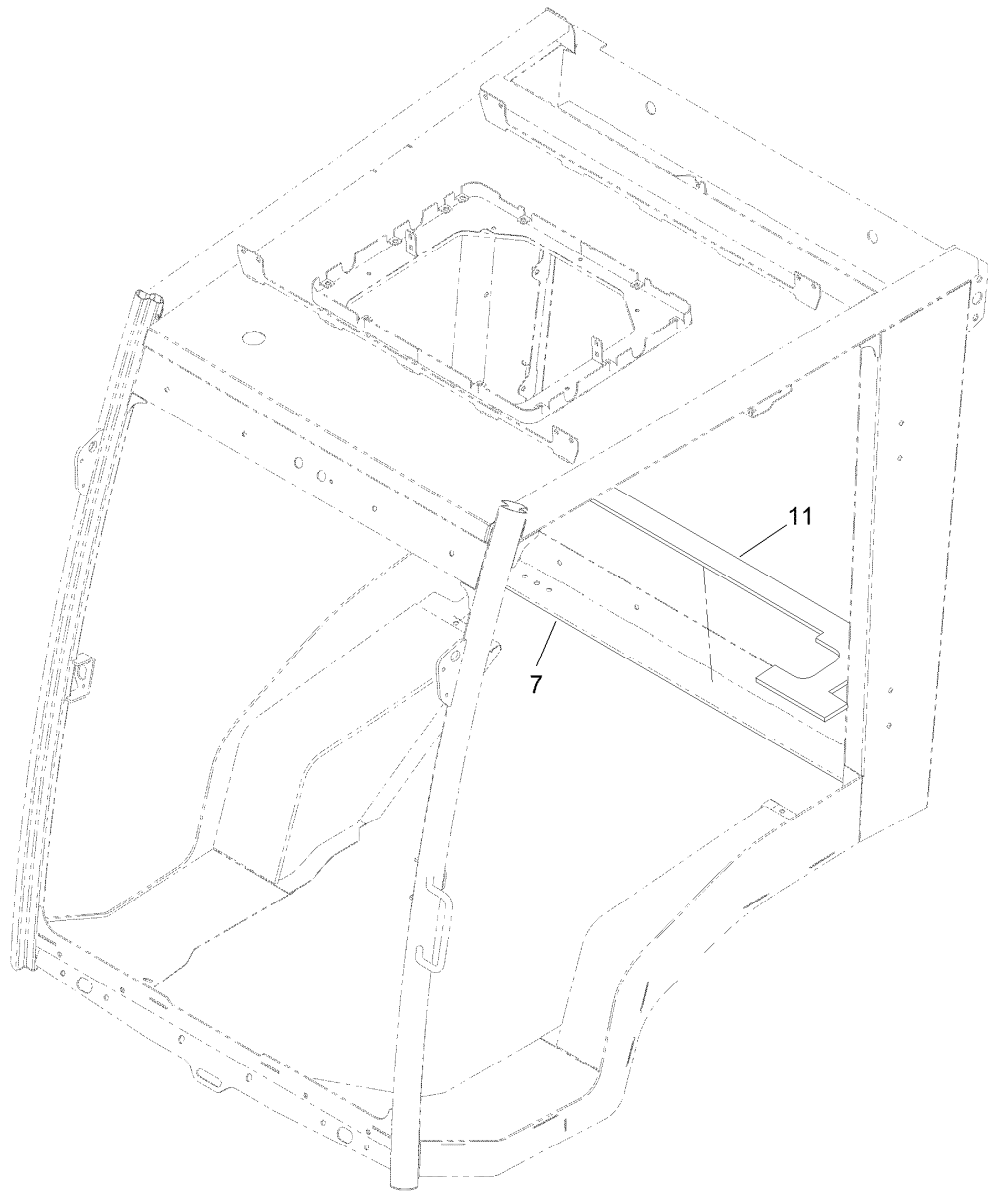
Fuse Assembly (continued)

| <i>Ref.</i> | <i>Part Number</i> | <i>Qty.</i> | <i>Description</i> |
|-------------|--------------------|-------------|--------------------|
| 1 | 218-578 | 1 | Fuse-Blade, 10 Amp |



Frame, Mount and Seals Assembly

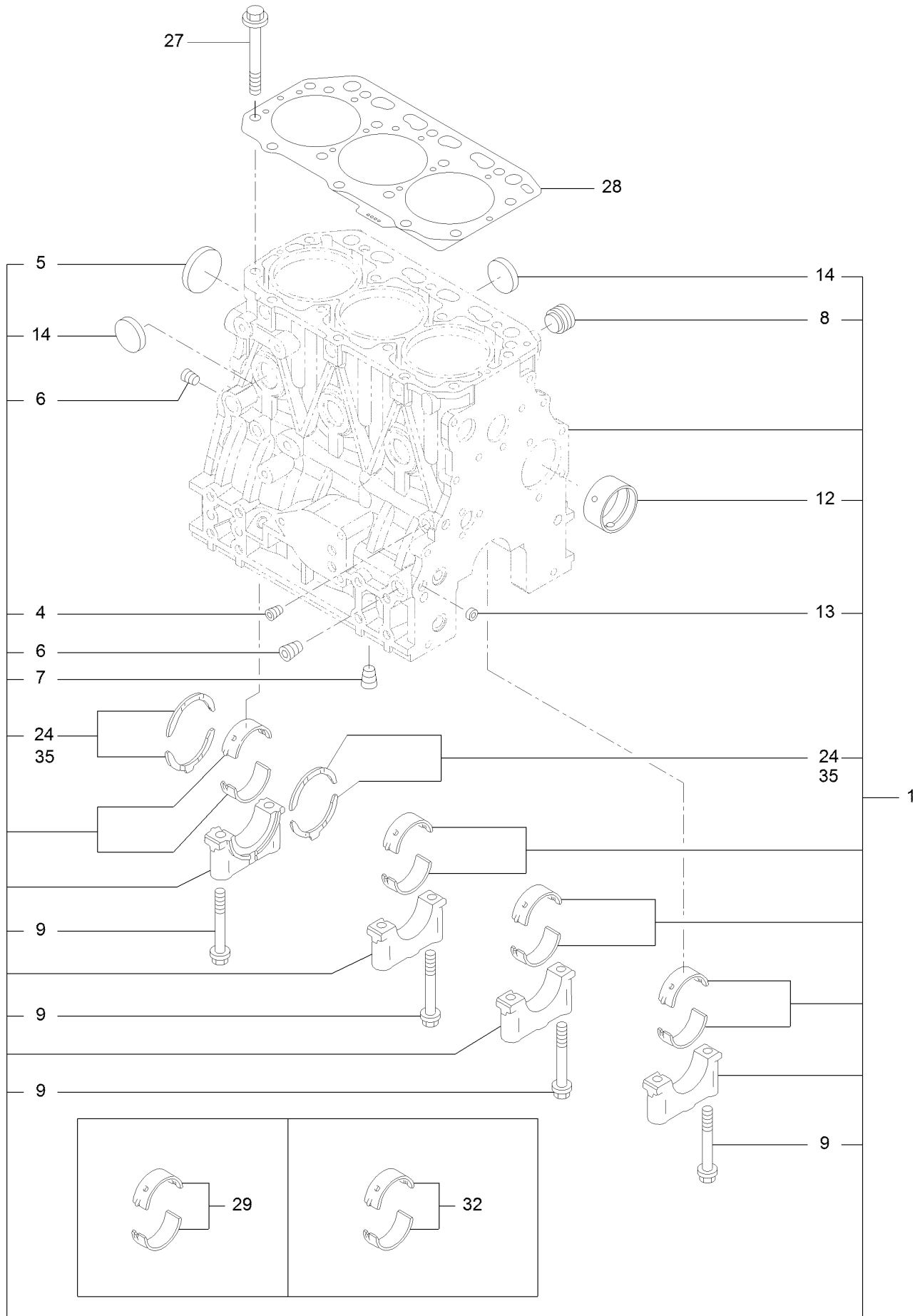
| Ref. | Part Number | Qty. | Description |
|------|-------------|------|----------------------|
| 2 | 139-2043-03 | 2 | Mount-ROPS |
| 4 | 3234-42 | 12 | Screw-HHF |
| 7 | 139-2172-03 | 1 | Stop-ROPS, LH |
| 8 | 139-2174-03 | 1 | Stop-ROPS, RH |
| 13 | 140-6537-03 | 2 | Cover-Retainer, Seal |
| 14 | 140-6541 | 1 | LH Cover ASM |
| 14:2 | 139-2000 | 1 | Seal-Foam |
| 15 | 139-1959 | 2 | Seal-Rollbar |
| 18 | 140-6542 | 1 | RH Cover ASM |
| 18:2 | 139-2000 | 1 | Seal-Foam |
| 20 | 32105-15 | 8 | Screw-HWH |
| 22 | 139-2170 | 6 | Brace-ROPS |
| 23 | 104-8301 | 12 | Nut-HF, NI |
| 26 | 140-4433 | 4 | Rivet-Push |
| 27 | 140-6540 | 4 | Retainer-Cover |



Interior Foam Assembly

| <i>Ref.</i> | <i>Part Number</i> | <i>Qty.</i> | <i>Description</i> |
|-------------|--------------------|-------------|-----------------------|
| 7 | 139-1999 | 1 | Seal-Foam, Rear Shelf |
| 11 | 139-2069 | 1 | Foam-Panel, Rear |

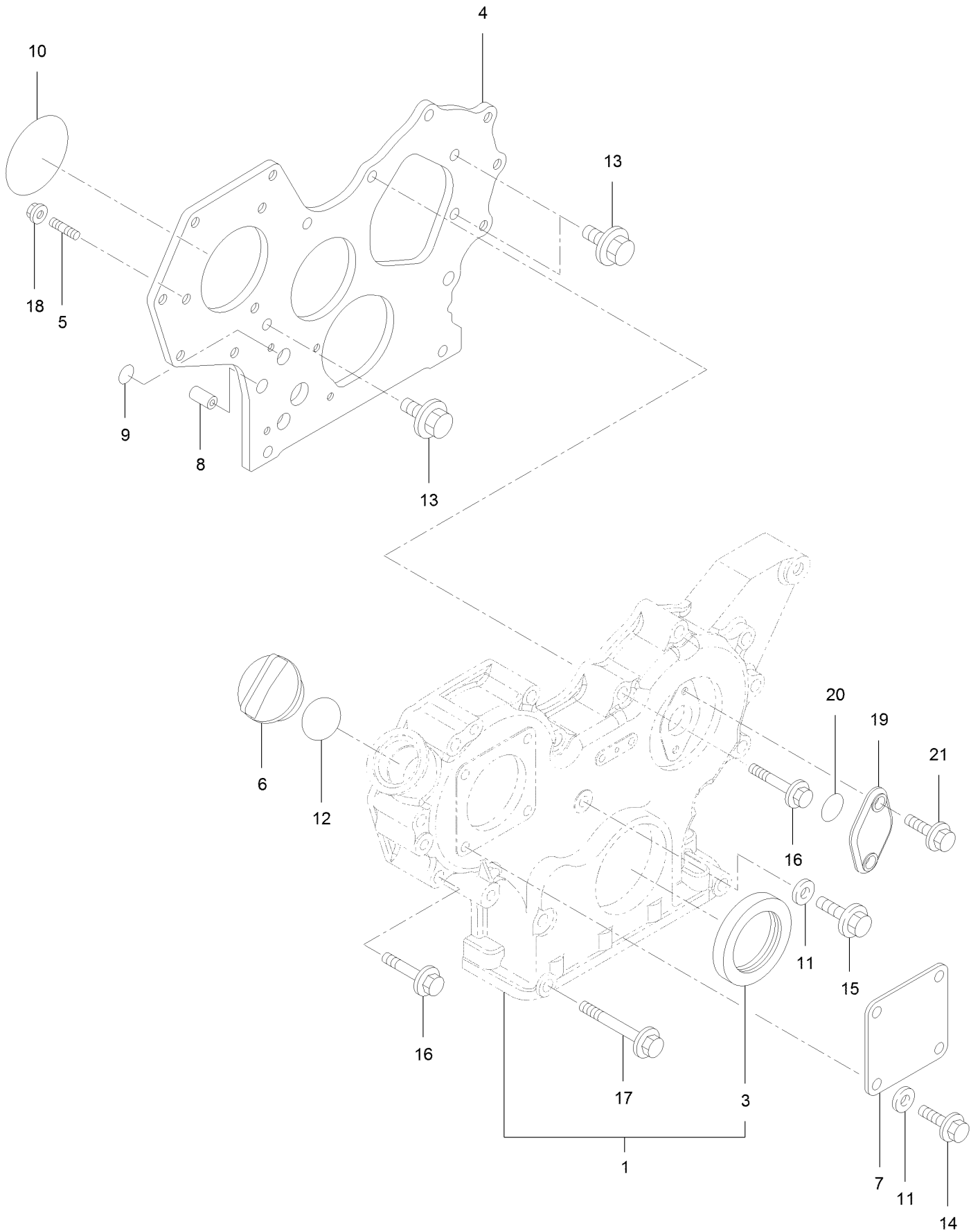
Cylinder Block Assembly



Cylinder Block Assembly (continued)

| <i>Ref.</i> | <i>Part Number</i> | <i>Qty.</i> | <i>Description</i> | <i>Ref.</i> | <i>Part Number</i> | <i>Qty.</i> | <i>Description</i> |
|-------------|--------------------|-------------|----------------------|-------------|--------------------|-------------|---------------------|
| 1 | 144-0580 | 1 | Block Assy, Cylinder | 13 | 125-7237 | 2 | Plug |
| 4 | 125-6969 | 1 | Plug | 14 | 140-7182 | 6 | Plug 30 |
| 5 | 125-6980 | 1 | Plug | 24 | 125-7010 | 2 | Metal-Thrust |
| 6 | 125-6973 | 2 | Plug | 27 | 125-7006 | 14 | Bolt |
| 7 | 125-6973 | 1 | Plug | 28 | 144-0581 | 1 | Gasket, Head |
| 8 | 125-7170 | 1 | Plug | 29 | 125-6981 | 4 | Metal-Main |
| 9 | 125-7007 | 8 | Bolt | 32 | 125-7009 | 4 | Metal-Main (0.25) |
| 12 | 125-7108 | 1 | Bushing | 35 | 125-7011 | 1 | Metal-Thrust (0.25) |

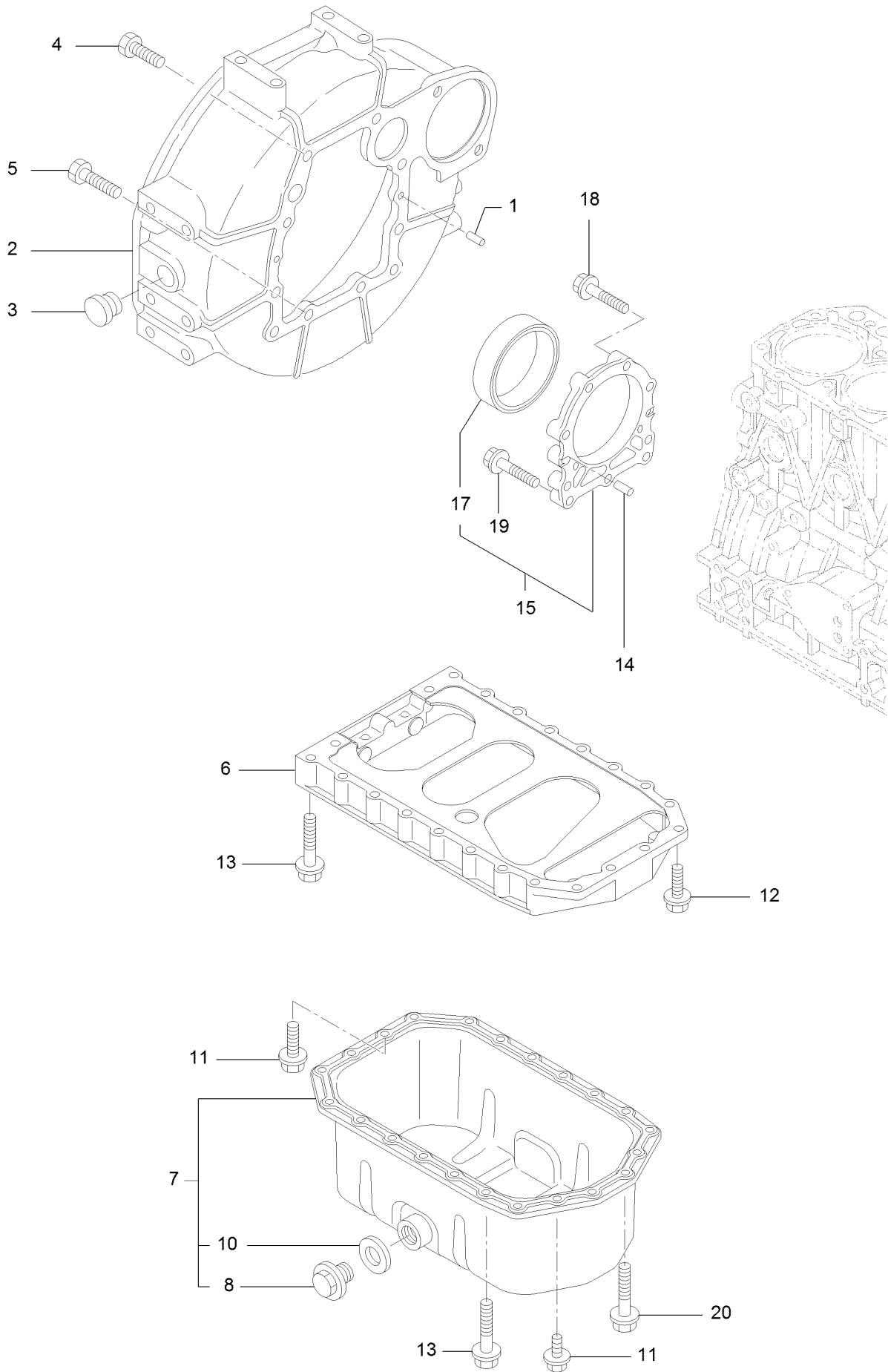
Gear Housing Assembly



Gear Housing Assembly (continued)

| <i>Ref.</i> | <i>Part Number</i> | <i>Qty.</i> | <i>Description</i> | <i>Ref.</i> | <i>Part Number</i> | <i>Qty.</i> | <i>Description</i> |
|-------------|--------------------|-------------|--------------------|-------------|--------------------|-------------|--------------------|
| 1 | 144-0582 | 1 | Case Assy, Gear | 12 | 125-7197 | 1 | O-Ring |
| 3 | 125-6944 | 1 | Seal-Oil | 13 | 125-7214 | 3 | Bolt |
| 4 | 125-6936 | 1 | Flange | 14 | 125-7214 | 4 | Bolt |
| 5 | 125-6919 | 3 | Stud | 15 | 125-7216 | 1 | Bolt |
| 6 | 125-6972 | 1 | Cover-Filler | 16 | 125-7221 | 12 | Bolt |
| 7 | 125-6977 | 1 | Cover | 17 | 125-7224 | 3 | Bolt |
| 8 | 125-7107 | 2 | Pipe | 18 | 125-7229 | 3 | Nut |
| 9 | 125-6909 | 2 | O-Ring | 19 | 125-6950 | 1 | Cover |
| 10 | 125-6957 | 1 | O-Ring | 20 | 125-7199 | 1 | O-Ring |
| 11 | 125-7174 | 5 | Washer-Seal | 21 | 125-7208 | 2 | Bolt |

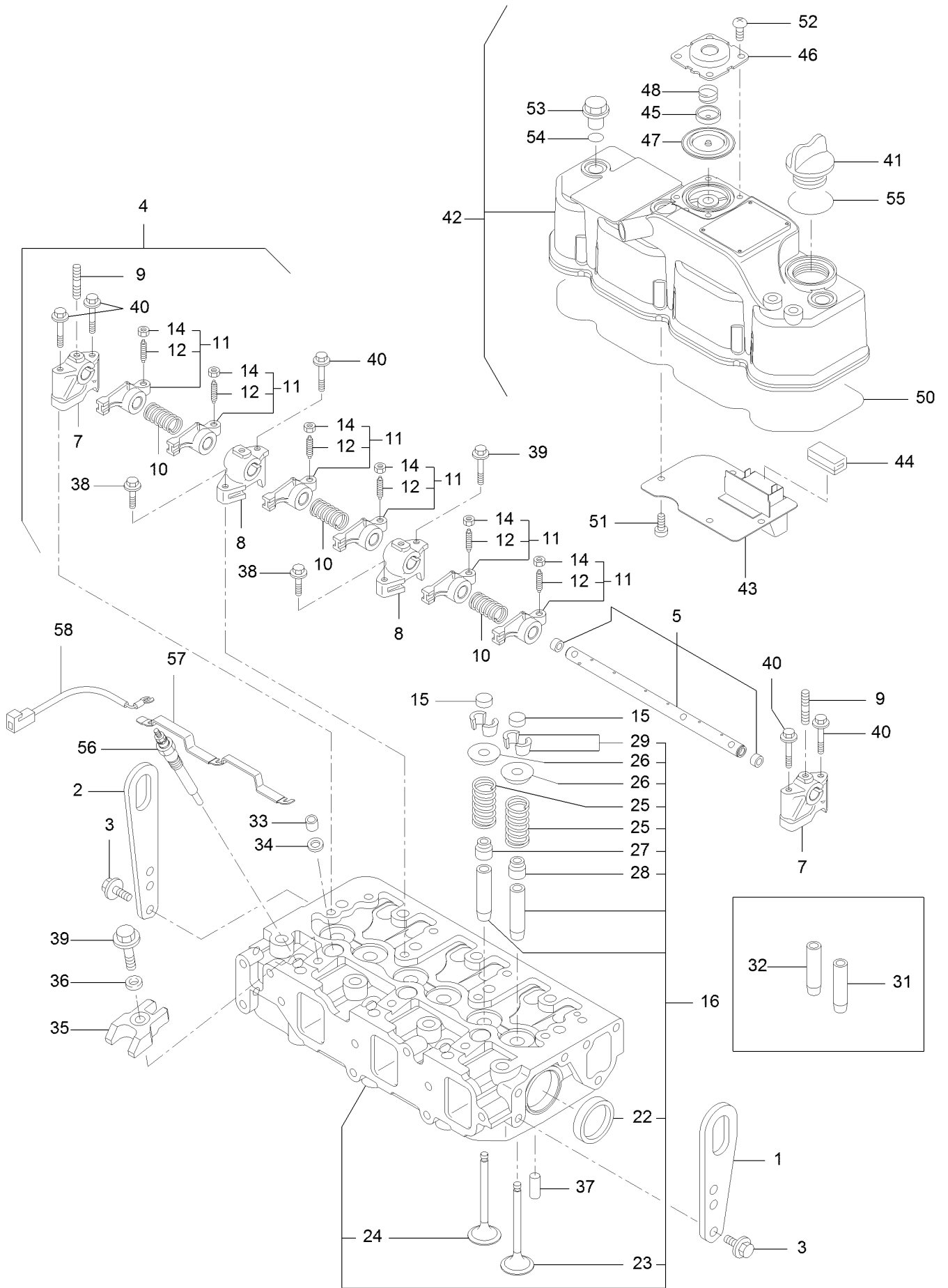
Mounting Flange and Oil Sump Assembly



Mounting Flange and Oil Sump Assembly (continued)

| <i>Ref.</i> | <i>Part Number</i> | <i>Qty.</i> | <i>Description</i> | <i>Ref.</i> | <i>Part Number</i> | <i>Qty.</i> | <i>Description</i> |
|-------------|--------------------|-------------|--------------------|-------------|--------------------|-------------|--------------------|
| 1 | 125-6995 | 2 | Pin | 11 | 125-7214 | 4 | Bolt |
| 2 | 125-7100 | 1 | Housing | 12 | 125-7215 | 2 | Bolt |
| 3 | 125-6910 | 1 | Cap | 13 | 125-7219 | 16 | Bolt |
| 4 | 125-7226 | 6 | Bolt | 14 | 125-6995 | 2 | Pin |
| 5 | 125-7227 | 4 | Bolt | 15 | 140-7173 | 1 | Oil Seal Case ASM |
| 6 | 127-3756 | 1 | Spacer | 17 | 140-7174 | 1 | Seal-Oil |
| 7 | 135-4010 | 1 | Oil Pan ASM | 18 | 125-7045 | 6 | Bolt |
| 8 | 125-6912 | 1 | Plug-Drain | 19 | 125-7217 | 3 | Bolt |
| 10 | 125-7177 | 1 | Washer-Seal | 20 | 125-7220 | 4 | Bolt |

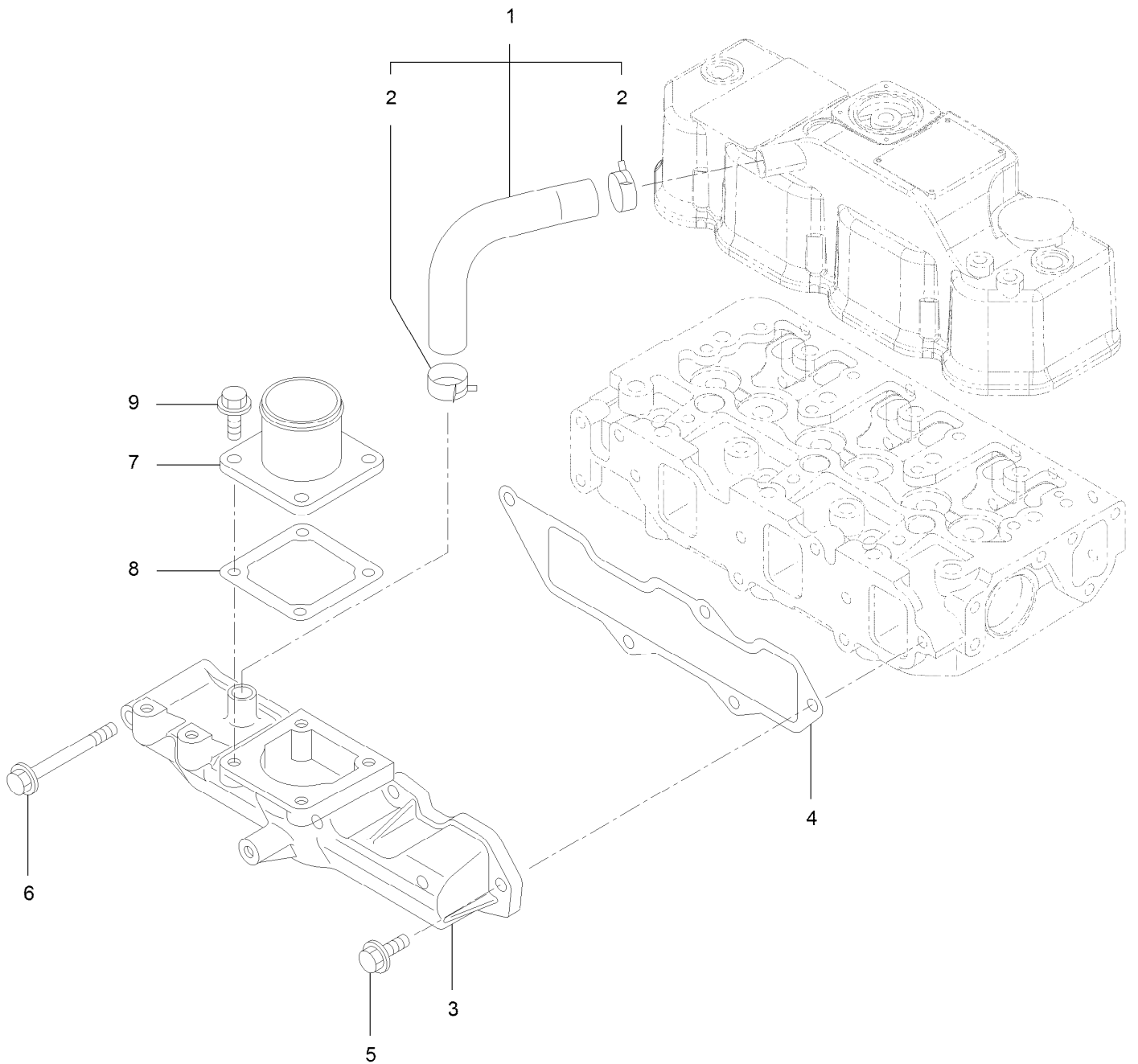
Cylinder Head Assembly



Cylinder Head Assembly (continued)

| <i>Ref.</i> | <i>Part Number</i> | <i>Qty.</i> | <i>Description</i> | <i>Ref.</i> | <i>Part Number</i> | <i>Qty.</i> | <i>Description</i> |
|-------------|--------------------|-------------|---------------------|-------------|--------------------|-------------|----------------------|
| 1 | 144-0583 | 1 | Lifter, Engine | 34 | 125-6911 | 3 | Seat-Valve |
| 2 | 125-7111 | 1 | Lifter | 35 | 144-0586 | 3 | Retainer, Nozzle |
| 3 | 125-7214 | 4 | Bolt | 36 | 127-2980 | 3 | Washer-Injector |
| 4 | 127-3757 | 1 | Shaft ASM | 37 | 125-7184 | 2 | Pin-Spring |
| 5 | 127-3758 | 1 | Shaft | 38 | 125-7215 | 2 | Bolt |
| 7 | 127-2974 | 2 | Support | 39 | 125-7217 | 3 | Bolt |
| 8 | 127-2975 | 2 | Support | 40 | 125-7220 | 6 | Bolt |
| 9 | 135-4012 | 3 | Bolt,Stud | 41 | 125-6972 | 1 | Cover-Filler |
| 10 | 127-2995 | 3 | Spring | 42 | 144-0587 | 1 | Bonnet Assy |
| 11 | 127-2989 | 6 | Arm-Rocker | 43 | 127-2988 | 1 | Plate |
| 12 | 125-7013 | 6 | Screw-Adjust, Valve | 44 | 125-7012 | 1 | Baffle |
| 14 | 125-7014 | 6 | Nut | 45 | 135-4089 | 1 | Plate-Diaphragm |
| 15 | 127-2996 | 6 | Cap-Valve | 46 | 144-0588 | 1 | Cover, Diaphragm |
| 16 | 144-0584 | 1 | Head Assy, Cylinder | 47 | 144-0589 | 1 | Diaphragm, Breather |
| 22 | 125-7240 | 2 | Plug | 48 | 135-4092 | 1 | Spring-Diaphragm |
| 23 | 127-2990 | 3 | Valve | 50 | 144-0590 | 1 | Gasket, Bonnet |
| 24 | 127-4710 | 3 | Valve | 51 | 125-7186 | 4 | Screw |
| 25 | 127-3012 | 6 | Spring | 52 | 125-7186 | 4 | Screw |
| 26 | 127-3013 | 6 | Retainer-Spring | 53 | 125-6974 | 3 | Knob |
| 27 | 144-0585 | 3 | Seal, Valve Stem | 54 | 138-7829 | 3 | O-Ring |
| 28 | 127-2986 | 3 | Seal-Stem, Valve | 55 | 125-7197 | 1 | O-Ring |
| 29 | 127-3186 | 6 | Pin-Cotter | 56 | 127-2991 | 3 | Plug-Glow |
| 31 | 127-2979 | 3 | Guide | 57 | 144-0591 | 1 | Connector, Glow Plug |
| 32 | 127-2997 | 3 | Guide-Valve | 58 | 131-2704 | 1 | Harness-Wire |
| 33 | 125-6921 | 3 | Protector | | | | |

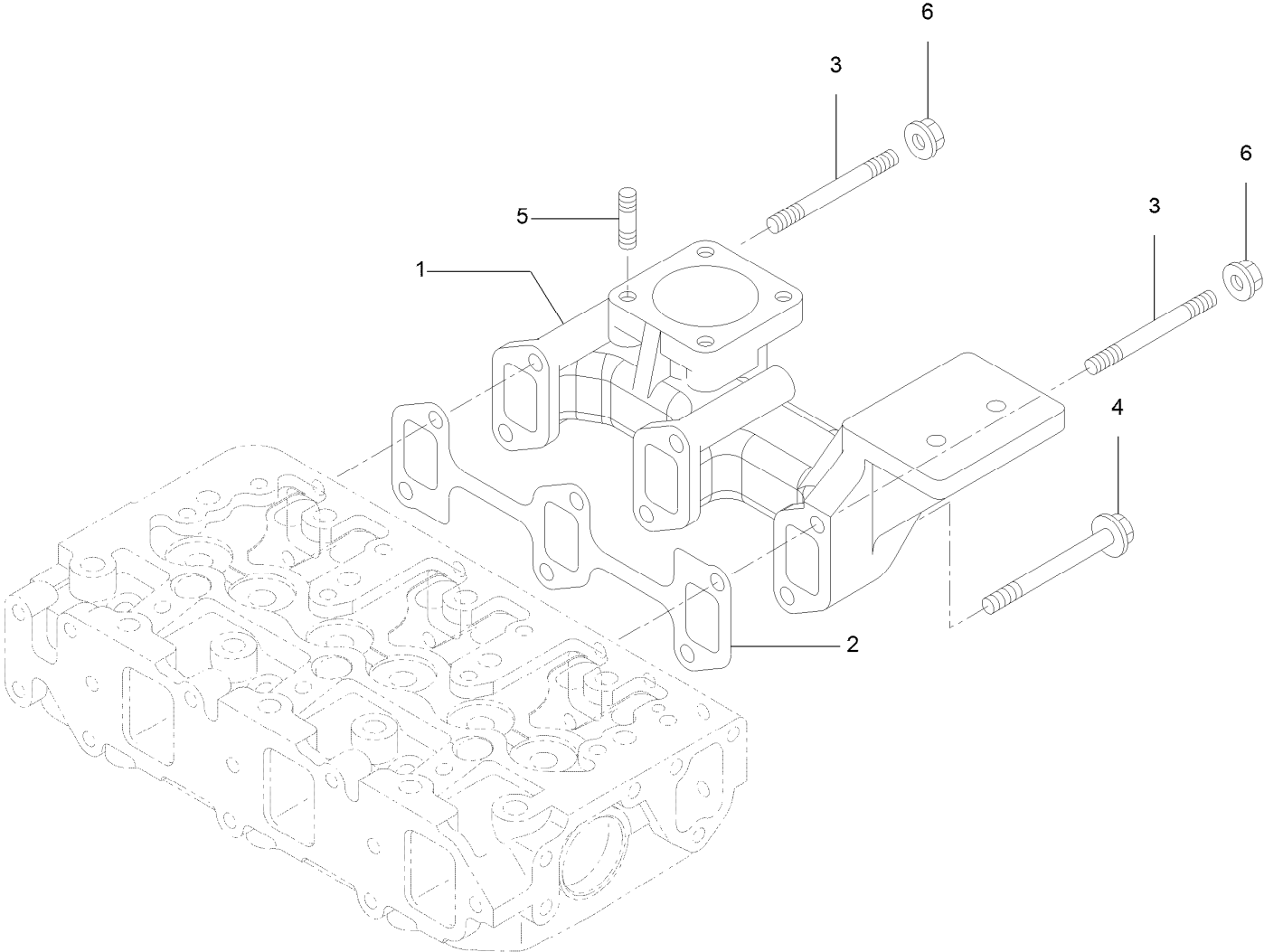
Suction Manifold Assembly



Suction Manifold Assembly (continued)

| <i>Ref.</i> | <i>Part Number</i> | <i>Qty.</i> | <i>Description</i> | <i>Ref.</i> | <i>Part Number</i> | <i>Qty.</i> | <i>Description</i> |
|-------------|--------------------|-------------|--------------------|-------------|--------------------|-------------|--------------------|
| 1 | 127-4704 | 1 | Pipe | 6 | 125-7223 | 1 | Bolt |
| 2 | 125-7040 | 2 | Clip-Hose | 7 | 144-0594 | 1 | Joint, Manifold |
| 3 | 144-0592 | 1 | Manifold, Intake | 8 | 125-7028 | 1 | Gasket |
| 4 | 144-0593 | 1 | Gasket, Manifold | 9 | 125-7595 | 4 | Bolt |
| 5 | 125-7595 | 4 | Bolt | | | | |

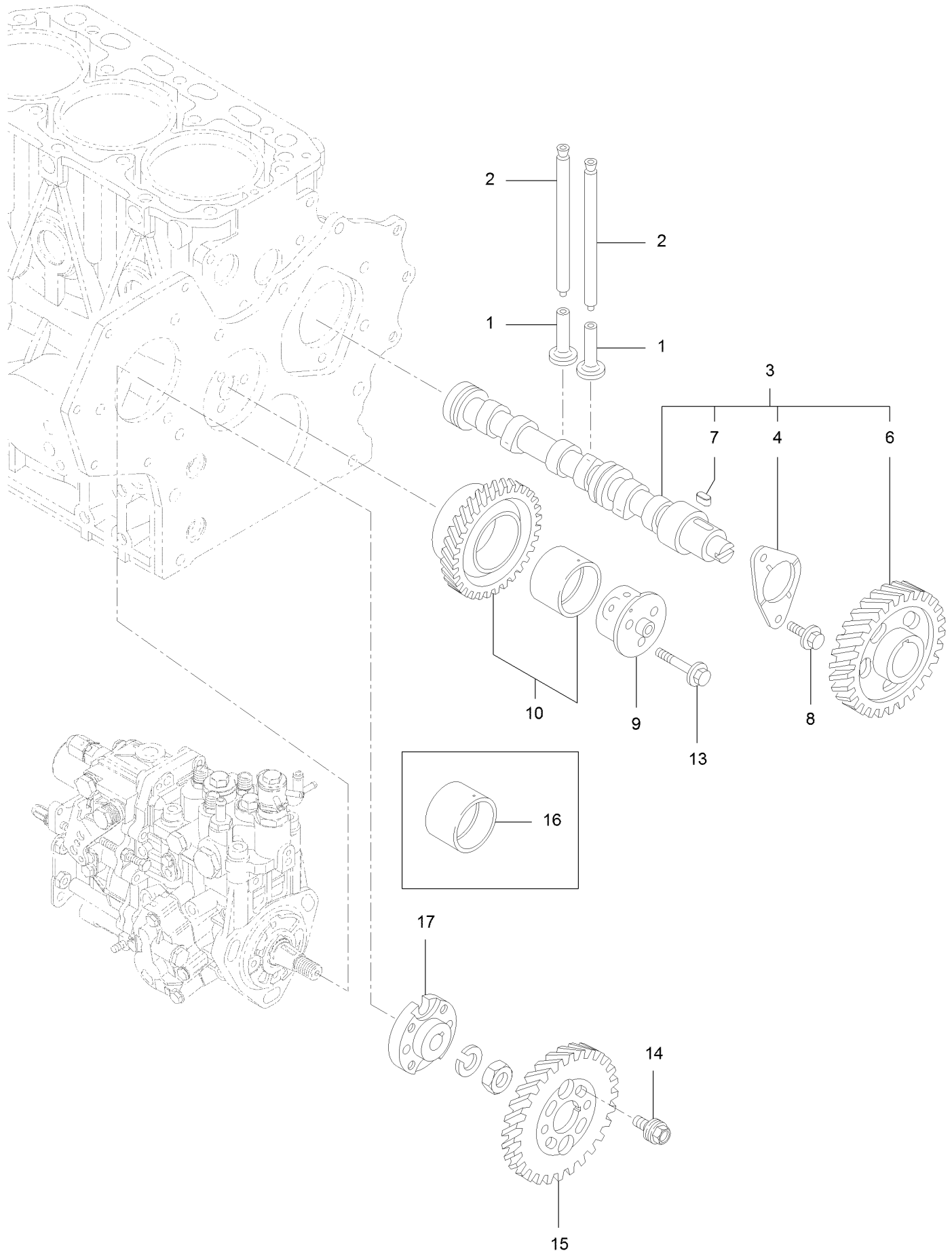
Exhaust Manifold Assembly



Exhaust Manifold Assembly (continued)

| <i>Ref.</i> | <i>Part Number</i> | <i>Qty.</i> | <i>Description</i> | <i>Ref.</i> | <i>Part Number</i> | <i>Qty.</i> | <i>Description</i> |
|-------------|--------------------|-------------|--------------------|-------------|--------------------|-------------|--------------------|
| 1 | 144-0595 | 1 | Manifold, Exhaust | 4 | 144-0598 | 4 | Bolt, M8X80 10.9T |
| 2 | 144-0596 | 1 | Gasket, Manifold | 5 | 125-6906 | 4 | Stud |
| 3 | 144-0597 | 2 | Stud, M8X80 | 6 | 125-7229 | 2 | Nut |

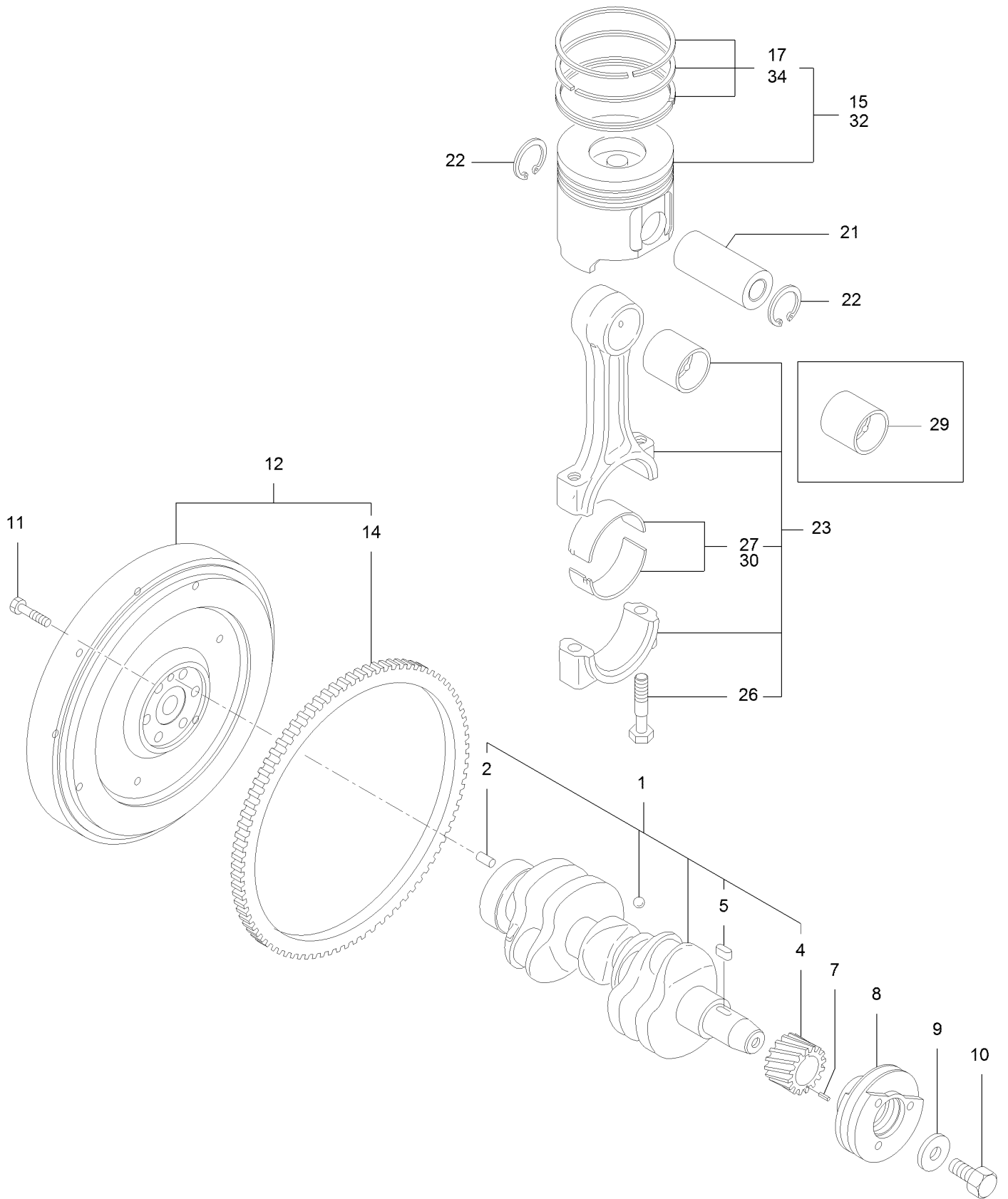
Camshaft Assembly



Camshaft Assembly (continued)

| <i>Ref.</i> | <i>Part Number</i> | <i>Qty.</i> | <i>Description</i> | <i>Ref.</i> | <i>Part Number</i> | <i>Qty.</i> | <i>Description</i> |
|-------------|--------------------|-------------|--------------------|-------------|--------------------|-------------|--------------------|
| 1 | 125-7016 | 6 | Tappet | 9 | 125-6938 | 1 | Shaft |
| 2 | 125-7017 | 6 | Rod-Push | 10 | 125-6928 | 1 | Gear ASM |
| 3 | 144-0599 | 1 | Camshaft Assy | 13 | 125-7218 | 3 | Bolt |
| 4 | 125-7008 | 1 | Metal-Thrust | 14 | 125-7020 | 4 | Bolt |
| 6 | 125-7015 | 1 | Gear | 15 | 125-6929 | 1 | Gear |
| 7 | 125-7185 | 1 | Key | 16 | 125-6926 | 1 | Bush |
| 8 | 125-7213 | 2 | Bolt | 17 | 125-7135 | 1 | Flange |

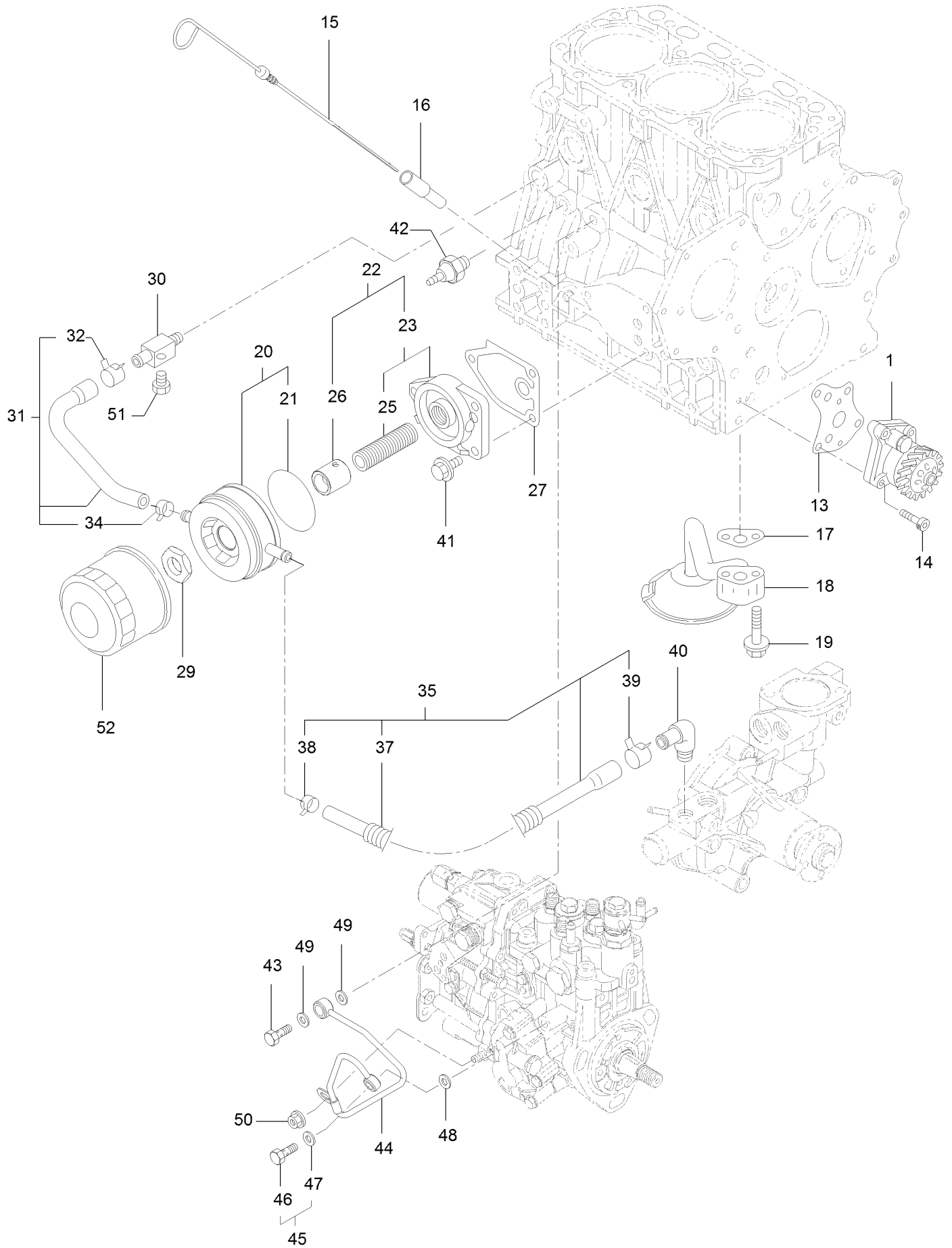
Crankshaft Assembly



Crankshaft Assembly (continued)

| <i>Ref.</i> | <i>Part Number</i> | <i>Qty.</i> | <i>Description</i> | <i>Ref.</i> | <i>Part Number</i> | <i>Qty.</i> | <i>Description</i> |
|-------------|--------------------|-------------|--------------------|-------------|--------------------|-------------|----------------------|
| 1 | 127-3800 | 1 | Crankshaft ASM | 15 | 144-0601 | 3 | Piston Assy |
| 2 | 125-6995 | 1 | Pin | 17 | 144-0602 | 3 | Ring Set, Piston |
| 4 | 125-6937 | 1 | Gear | 21 | 125-7030 | 3 | Pin |
| 5 | 125-7185 | 1 | Key | 22 | 125-7180 | 6 | Ring |
| 7 | 125-7182 | 1 | Pin-Spring | 23 | 125-7242 | 3 | Connecting Rod ASM |
| 8 | 127-3801 | 1 | Pulley-V | 26 | 125-6955 | 6 | Bolt |
| 9 | 125-7109 | 1 | Washer | 27 | 125-7018 | 3 | Pin-Crank |
| 10 | 125-6956 | 1 | Bolt | 29 | 125-6997 | 3 | Pin-Piston |
| 11 | 125-6951 | 6 | Bolt | 30 | 125-7019 | 3 | Pin-Crank (.25) |
| 12 | 144-0600 | 1 | Flywheel Assy | 32 | 144-0603 | 3 | Piston Assy, 0.25 Os |
| 14 | 125-6943 | 1 | Gear | 34 | 144-0604 | 3 | Ring Set, Piston .25 |

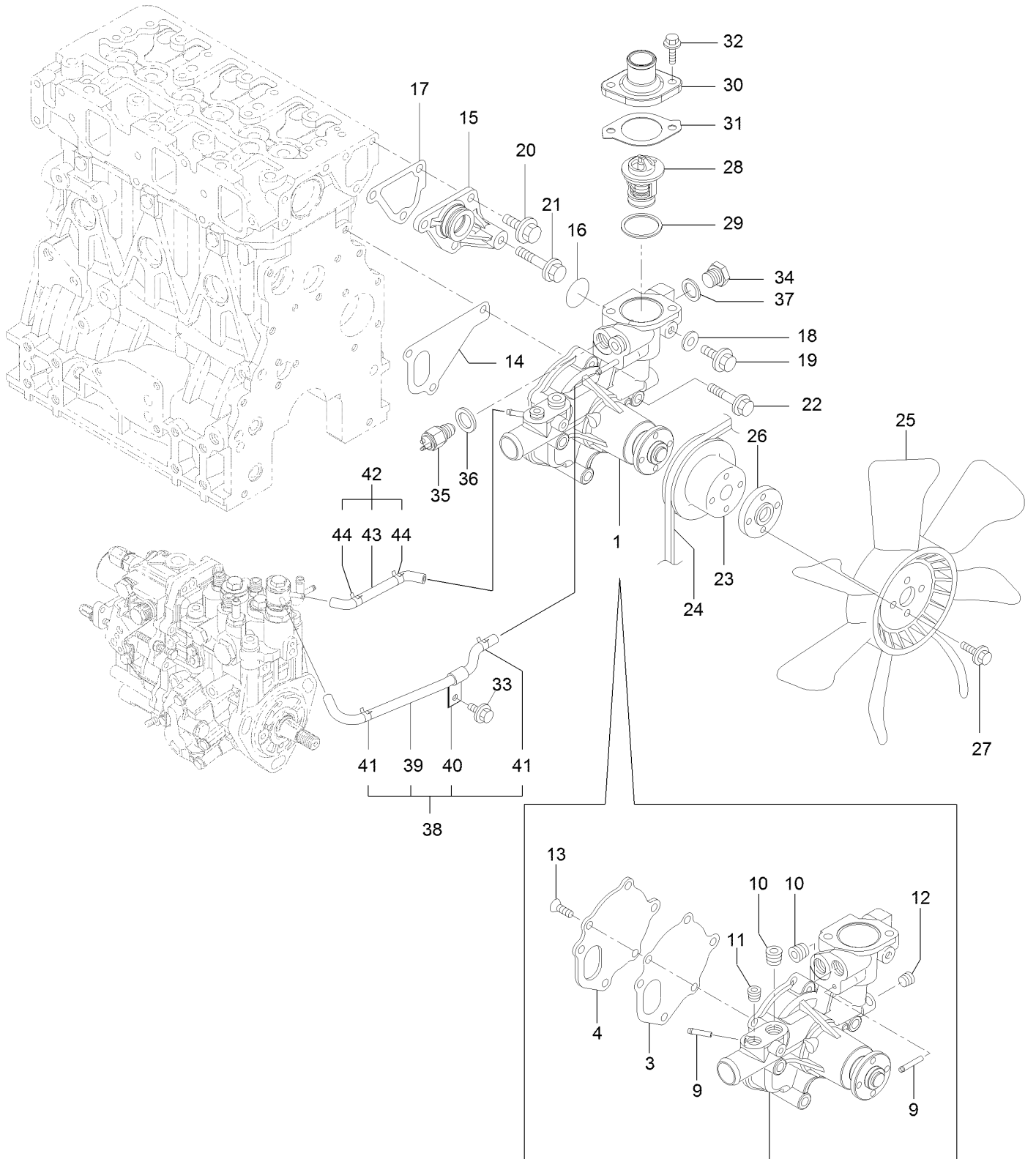
Oil Pump and Filter Assembly



Oil Pump and Filter Assembly (continued)

| <i>Ref.</i> | <i>Part Number</i> | <i>Qty.</i> | <i>Description</i> | <i>Ref.</i> | <i>Part Number</i> | <i>Qty.</i> | <i>Description</i> |
|-------------|--------------------|-------------|-----------------------|-------------|--------------------|-------------|--------------------|
| 1 | 144-0605 | 1 | Pump Assy, Oil | 34 | 125-7191 | 1 | Clamp-Hose |
| 13 | 125-7021 | 1 | Gasket | 35 | 127-3804 | 1 | Pipe ASM |
| 14 | 125-7232 | 4 | Bolt | 37 | 127-3805 | 1 | Tube |
| 15 | 140-7168 | 1 | Dipstick-Oil | 38 | 125-7191 | 1 | Clamp-Hose |
| 16 | 125-6954 | 1 | Guide-Dipstick | 39 | 125-7162 | 1 | Clip |
| 17 | 125-7022 | 1 | Gasket | 40 | 125-7001 | 1 | Elbow |
| 18 | 135-4017 | 1 | Oil Inlet Pipe ASM | 41 | 125-7595 | 3 | Bolt |
| 19 | 125-7217 | 2 | Bolt | 42 | 134-1377 | 1 | Switch-Hydraulic |
| 20 | 135-4018 | 1 | Oil Cooler ASM | 43 | 125-6975 | 1 | Bolt-Joint, Pipe |
| 21 | 135-4019 | 1 | Packing-Oil Cooler | 44 | 144-0606 | 1 | Pipe Assy, Oil |
| 22 | 135-4021 | 1 | Lo Filter Bracket ASM | 45 | 125-6988 | 1 | Joint Bolt ASM |
| 23 | 140-7169 | 1 | Filter Bracket ASM | 46 | 125-7194 | 1 | Bolt-Joint |
| 25 | 125-7042 | 1 | Stud | 47 | 125-7174 | 1 | Washer-Seal |
| 26 | 135-4022 | 1 | Collar-Cooler, Oil | 48 | 125-7174 | 1 | Washer-Seal |
| 27 | 125-7024 | 1 | Gasket | 49 | 125-7175 | 2 | Washer-Seal |
| 29 | 135-4020 | 1 | Nut | 50 | 125-7231 | 1 | Nut |
| 30 | 125-6990 | 1 | Joint | 51 | 125-7171 | 1 | Plug-Drain |
| 31 | 125-7078 | 1 | Pipe ASM | 52 | 144-0607 | 1 | Filter, Lub.Oil |
| 32 | 125-7162 | 1 | Clip | | | | |

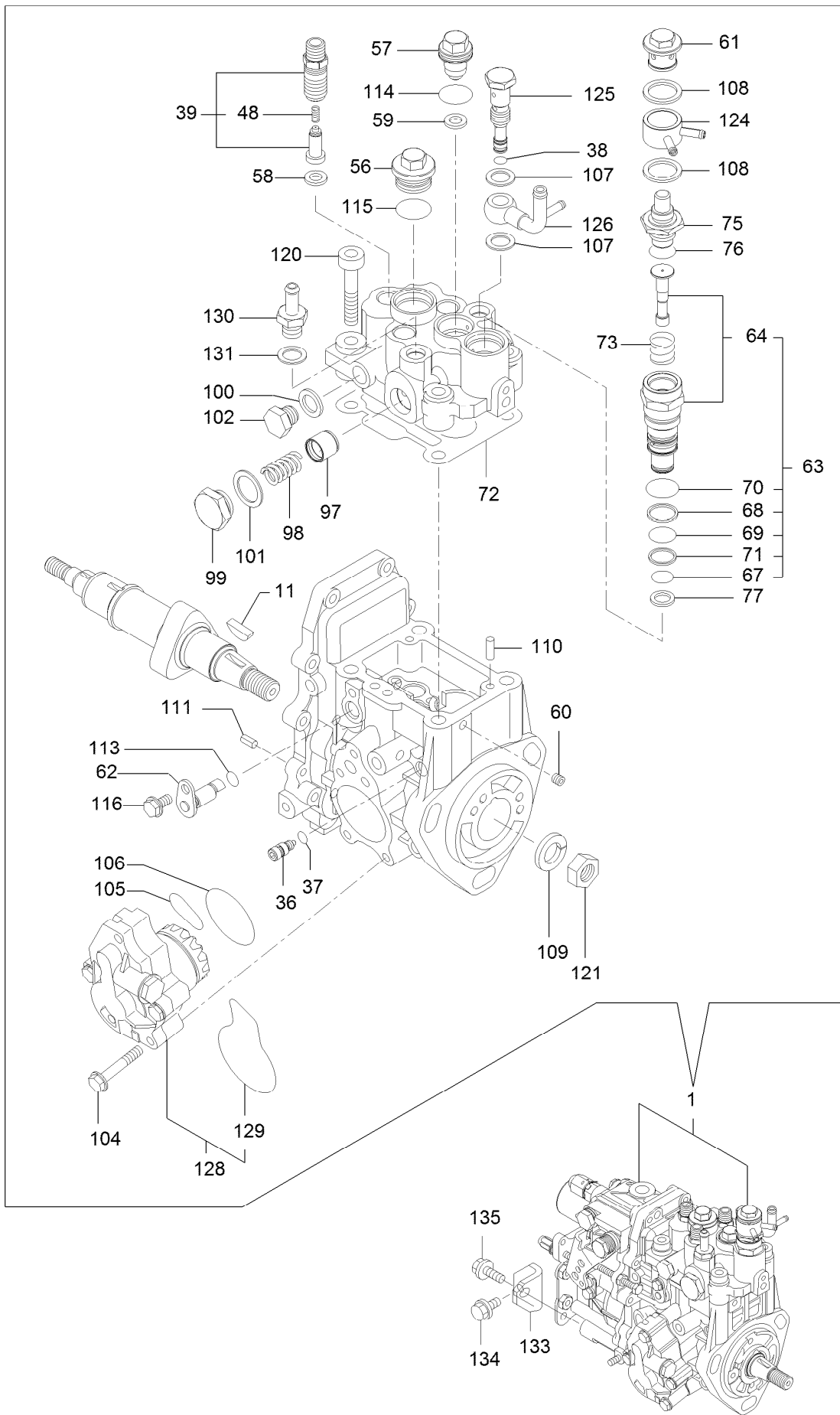
Water Pump and Fan Assembly



Water Pump and Fan Assembly (continued)

| <i>Ref.</i> | <i>Part Number</i> | <i>Qty.</i> | <i>Description</i> | <i>Ref.</i> | <i>Part Number</i> | <i>Qty.</i> | <i>Description</i> |
|-------------|--------------------|-------------|--------------------|-------------|--------------------|-------------|-------------------------------------|
| 1 | 144-0608 | 1 | Pump Assy, CW | 26 | 127-3810 | 1 | Spacer |
| 3 | 125-6998 | 1 | Gasket | 27 | 125-7209 | 4 | Bolt |
| 4 | 125-6999 | 1 | Plate | 28 | 125-7029 | 1 | Thermostat |
| 9 | 144-0609 | 2 | Joint, Pipe | 29 | 125-7026 | 1 | Gasket |
| 10 | 133-6796 | 2 | Plug | 30 | 140-7171 | 1 | Cover-Thermostat |
| 11 | 127-3175 | 1 | Plug | 31 | 125-7110 | 1 | Gasket |
| 12 | 125-7195 | 1 | Plug | 32 | 125-7594 | 2 | Bolt |
| 13 | 140-7170 | 3 | Screw-Flat | 33 | 125-7206 | 1 | Bolt |
| 14 | 125-7047 | 1 | Gasket | 34 | 125-6953 | 1 | Plug |
| 15 | 125-6986 | 1 | Joint | 35 | 134-3128 | 1 | Sensor-Temperature (X1 Terminal) |
| 16 | 125-7048 | 1 | O-Ring | 36 | 134-4010 | 1 | Gasket |
| 17 | 125-6978 | 1 | Gasket | 37 | 125-6979 | 1 | Gasket |
| 18 | 125-7192 | 1 | Gasket | 38 | 144-0610 | 1 | Hose Assy, Water A |
| 19 | 125-7212 | 1 | Bolt | 39 | 144-0611 | 1 | Hose, Water A |
| 20 | 125-7214 | 3 | Bolt | 40 | 144-0612 | 1 | Retainer, Pipe |
| 21 | 125-7219 | 1 | Bolt | 41 | 136-8226 | 2 | Clamp-Hose |
| 22 | 125-7222 | 3 | Bolt | 42 | 144-0613 | 1 | Hose Assy, Water B |
| 23 | 127-4712 | 1 | V-Pulley | 43 | 144-0614 | 1 | Hose, Water B |
| 24 | 127-4771 | 1 | V-Belt | 44 | 136-8226 | 2 | Clamp-Hose |
| 25 | 135-4196 | 1 | Fan-Cooling 1 | | | | |

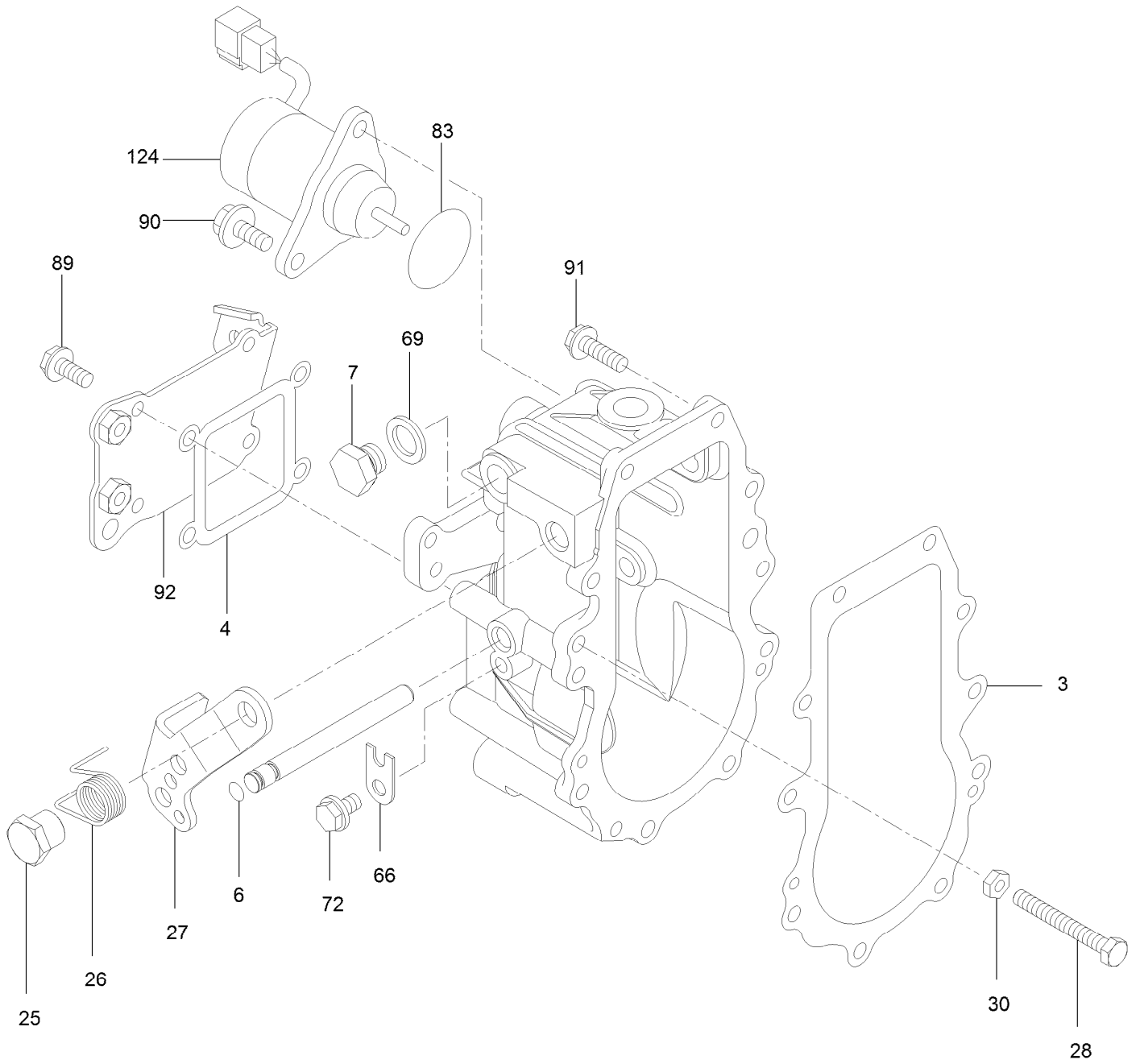
Fuel Injection Pump Assembly



Fuel Injection Pump Assembly (continued)

| <i>Ref.</i> | <i>Part Number</i> | <i>Qty.</i> | <i>Description</i> | <i>Ref.</i> | <i>Part Number</i> | <i>Qty.</i> | <i>Description</i> |
|-------------|--------------------|-------------|----------------------|-------------|--------------------|-------------|----------------------|
| 1 | 144-0615 | 1 | Fie Assy | 99 | 125-7160 | 1 | Plug |
| 11 | 125-6932 | 1 | Key | 100 | 125-7176 | 1 | Washer-Seal |
| 36 | 125-7156 | 1 | Stopper | 101 | 125-7591 | 1 | Washer-Seal |
| 37 | 125-7154 | 1 | O-Ring | 102 | 125-7148 | 1 | Plug |
| 38 | 125-7154 | 1 | O-Ring | 104 | 125-7147 | 4 | Bolt |
| 39 | 144-0616 | 3 | Valve Assy, Delivery | 105 | 125-7142 | 1 | O-Ring |
| 48 | 125-7155 | 3 | Spring | 106 | 125-7143 | 1 | O-Ring |
| 56 | 125-7157 | 1 | Plug | 107 | 125-7176 | 2 | Washer-Seal |
| 57 | 125-6933 | 1 | Plug | 108 | 125-7591 | 2 | Washer-Seal |
| 58 | 125-7136 | 3 | Gasket | 109 | 125-7179 | 1 | Washer-Spring |
| 59 | 125-7136 | 1 | Gasket | 110 | 125-7181 | 2 | Pin-Parallel |
| 60 | 125-7151 | 1 | Plug | 111 | 125-7183 | 2 | Pin-Spring |
| 61 | 144-0617 | 1 | Plug | 113 | 144-0623 | 1 | O-Ring, 1Ap7.0 |
| 62 | 125-7137 | 1 | Lifter | 114 | 125-7201 | 1 | O-Ring |
| 63 | 144-0618 | 1 | Timer Assy | 115 | 125-7202 | 1 | O-Ring |
| 64 | 144-0619 | 1 | Timer Assy | 116 | 125-7205 | 1 | Bolt |
| 67 | 125-7145 | 1 | O-Ring | 120 | 125-7233 | 4 | Bolt |
| 68 | 125-6934 | 1 | Ring | 121 | 125-7236 | 1 | Nut |
| 69 | 125-6935 | 1 | O-Ring | 124 | 144-0624 | 1 | Joint, Cooling Water |
| 70 | 125-7202 | 1 | O-Ring | 125 | 125-7158 | 1 | Joint |
| 71 | 125-7203 | 1 | Ring-Back Up | 126 | 125-7139 | 1 | Joint |
| 72 | 125-7138 | 1 | Gasket | 128 | 125-7141 | 1 | Feed Pump ASM |
| 73 | 144-0620 | 1 | Spring, Timer | 129 | 125-7144 | 1 | O-Ring |
| 75 | 144-0621 | 1 | Element, Thermostat | 130 | 125-6945 | 1 | Joint |
| 76 | 144-0622 | 1 | O-Ring, P14 | 131 | 125-7176 | 1 | Washer-Seal |
| 77 | 125-7146 | 1 | Gasket | 133 | 144-0625 | 1 | Retainer, Fuel Pump |
| 97 | 125-7159 | 1 | Piston | 134 | 125-7214 | 1 | Bolt |
| 98 | 125-7140 | 1 | Spring | 135 | 125-7595 | 1 | Bolt |

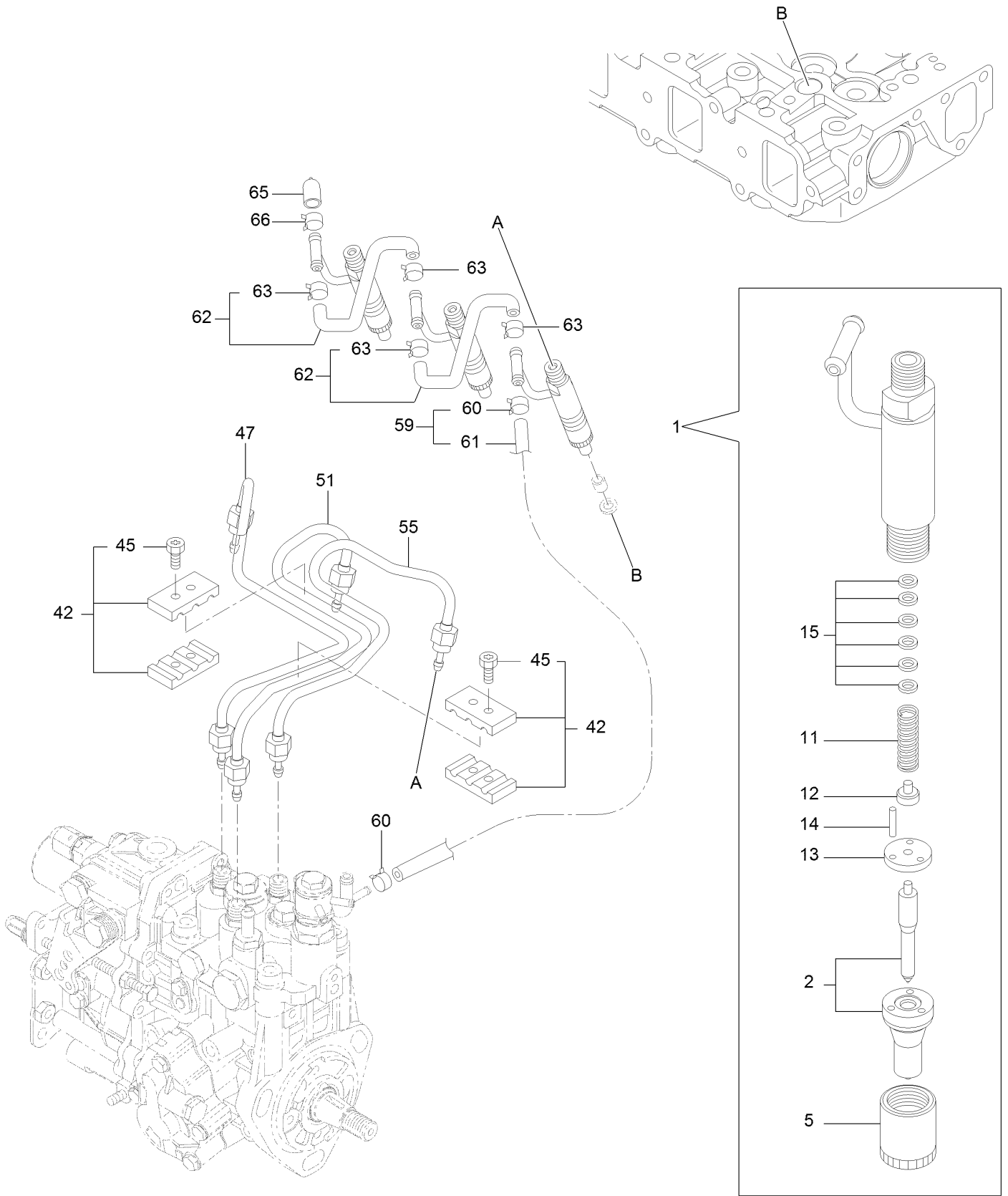
Governor Assembly



Governor Assembly (continued)

| <i>Ref.</i> | <i>Part Number</i> | <i>Qty.</i> | <i>Description</i> | <i>Ref.</i> | <i>Part Number</i> | <i>Qty.</i> | <i>Description</i> |
|-------------|--------------------|-------------|--------------------|-------------|--------------------|-------------|----------------------|
| 3 | 125-7149 | 1 | Gasket | 66 | 134-1395 | 1 | Stopper-Shaft |
| 4 | 144-0626 | 1 | Gasket, Case | 69 | 125-7176 | 1 | Washer-Seal |
| 6 | 135-4207 | 1 | O-Ring | 72 | 125-7205 | 1 | Bolt |
| 7 | 125-7148 | 1 | Plug | 83 | 134-1520 | 1 | O-Ring |
| 25 | 134-1508 | 1 | Nut | 89 | 125-7206 | 4 | Bolt |
| 26 | 144-0627 | 1 | Spring, Return | 90 | 125-7206 | 2 | Bolt |
| 27 | 144-0628 | 1 | Lever, Regulator | 91 | 125-7209 | 10 | Bolt |
| 28 | 134-4013 | 1 | Bolt-Limit, Idle | 92 | 144-0629 | 1 | Cover, Governor Case |
| 30 | 134-4014 | 1 | Nut | 124 | 140-7172 | 1 | Stop-Solenoid |

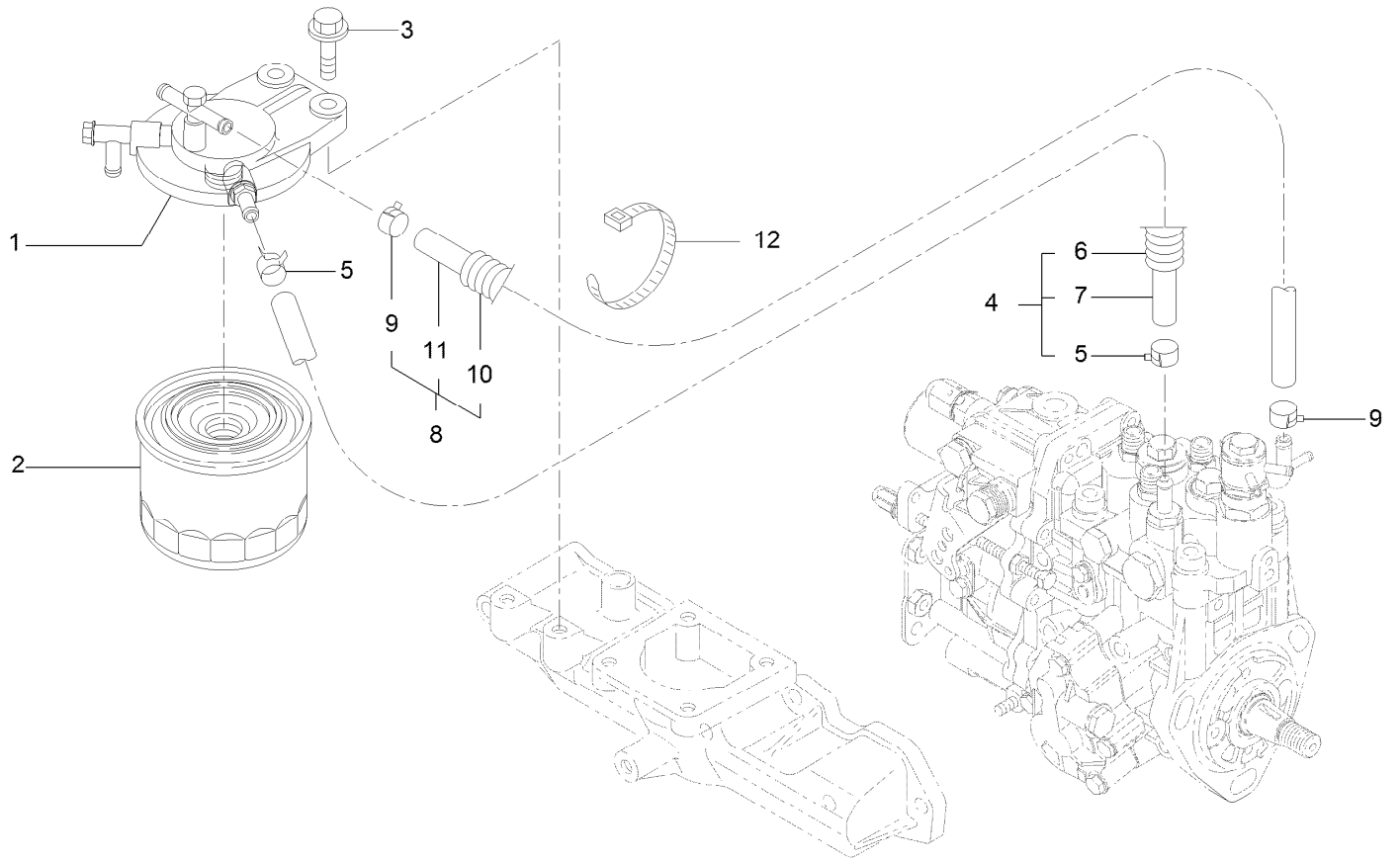
Fuel Injection Valve Assembly



Fuel Injection Valve Assembly (continued)

| <i>Ref.</i> | <i>Part Number</i> | <i>Qty.</i> | <i>Description</i> | <i>Ref.</i> | <i>Part Number</i> | <i>Qty.</i> | <i>Description</i> |
|-------------|--------------------|-------------|----------------------|-------------|--------------------|-------------|----------------------|
| 1 | 144-0630 | 3 | Valve Assy,Injection | 47 | 144-0632 | 1 | Pipe Assy, Injection |
| 2 | 144-0631 | 3 | Valve Assy,Injection | 51 | 144-0633 | 1 | Pipe Assy, Injection |
| 5 | 125-6901 | 3 | Nut | 55 | 144-0634 | 1 | Pipe Assy, Injection |
| 11 | 125-6902 | 3 | Spring | 59 | 144-0635 | 1 | Hose Assy, Return |
| 12 | 125-6903 | 3 | Seat-Spring | 60 | 136-8226 | 2 | Clamp-Hose |
| 13 | 125-6904 | 3 | Plate | 61 | 144-0636 | 1 | Hose, Fuel Return |
| 14 | 125-6905 | 6 | Pin | 62 | 144-0637 | 2 | Hose Assy, Return |
| 15 | 125-6939 | 3 | Shim Set | 63 | 136-8226 | 4 | Clamp-Hose |
| 42 | 134-1488 | 2 | Retainer-Pipe | 65 | 144-0638 | 1 | Cap, Return Pipe |
| 45 | 125-7027 | 4 | Bolt | 66 | 125-6970 | 1 | Clip |

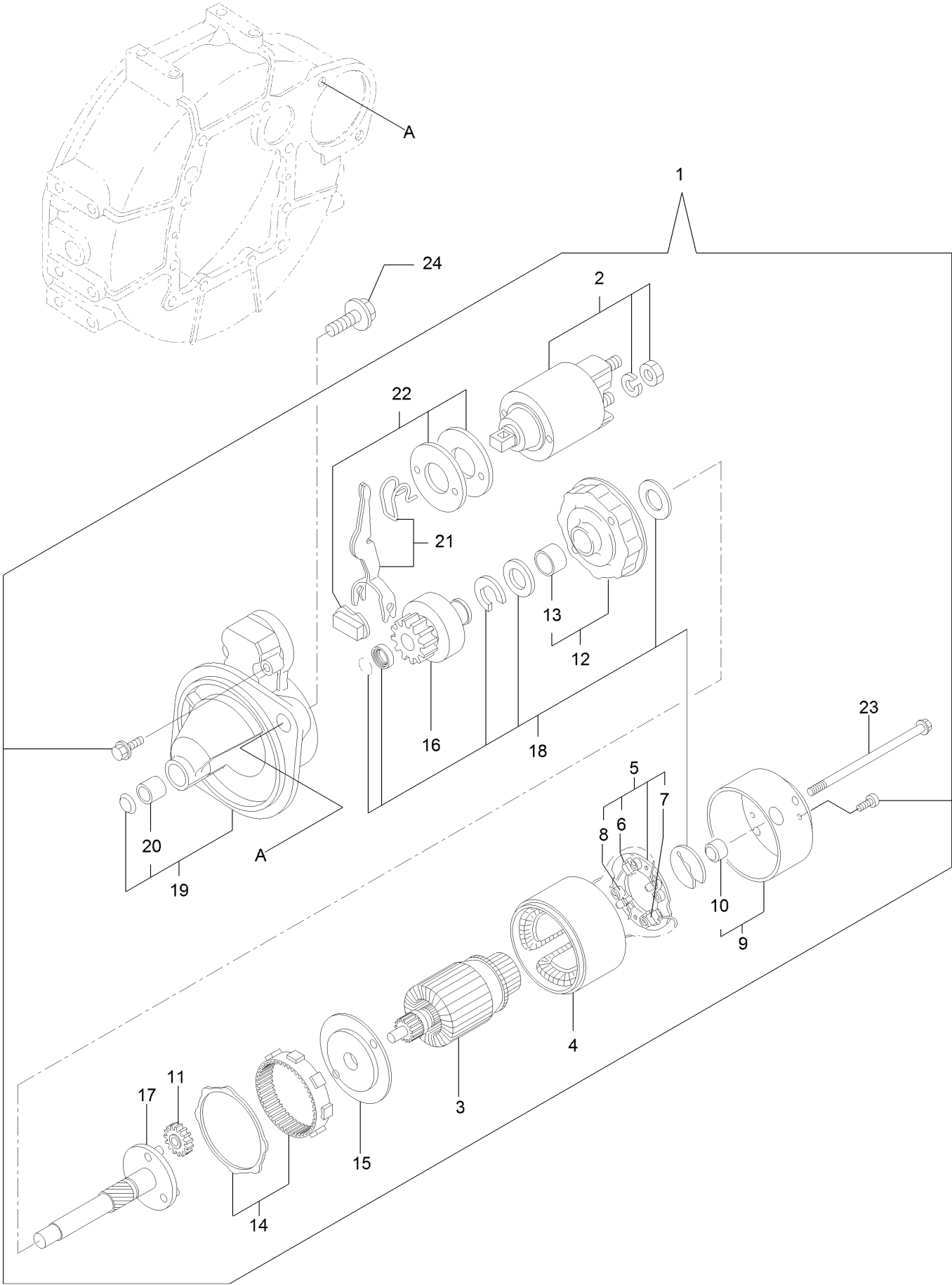
Fuel Filter Assembly



Fuel Filter Assembly (continued)

| <i>Ref.</i> | <i>Part Number</i> | <i>Qty.</i> | <i>Description</i> | <i>Ref.</i> | <i>Part Number</i> | <i>Qty.</i> | <i>Description</i> |
|-------------|--------------------|-------------|---------------------|-------------|--------------------|-------------|---------------------|
| 1 | 144-0639 | 1 | Bracket, Filter | 7 | 144-0643 | 1 | Hose, Fuel L=220 |
| 2 | 144-0640 | 1 | Filter, Fo | 8 | 144-0644 | 1 | Hose Assy, Fuel |
| 3 | 125-7216 | 2 | Bolt | 9 | 140-7167 | 2 | Clamp-Hose (11.5) |
| 4 | 144-0641 | 1 | Hose Assy, D13X1220 | 10 | 144-0645 | 1 | Tube, Corrugated 15 |
| 5 | 140-7167 | 2 | Clamp-Hose (11.5) | 11 | 144-0646 | 1 | Hose, Fuel |
| 6 | 144-0642 | 1 | Tube, Corrugated 15 | 12 | 127-2981 | 1 | Band |

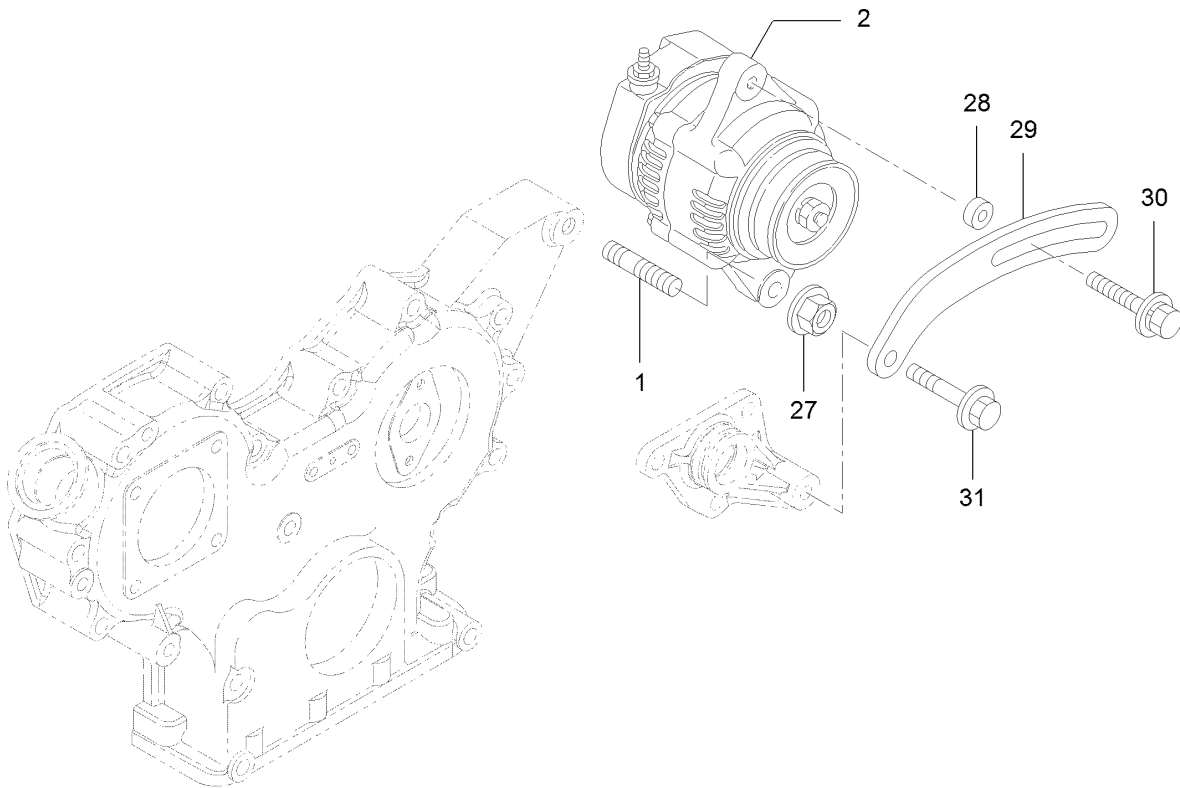
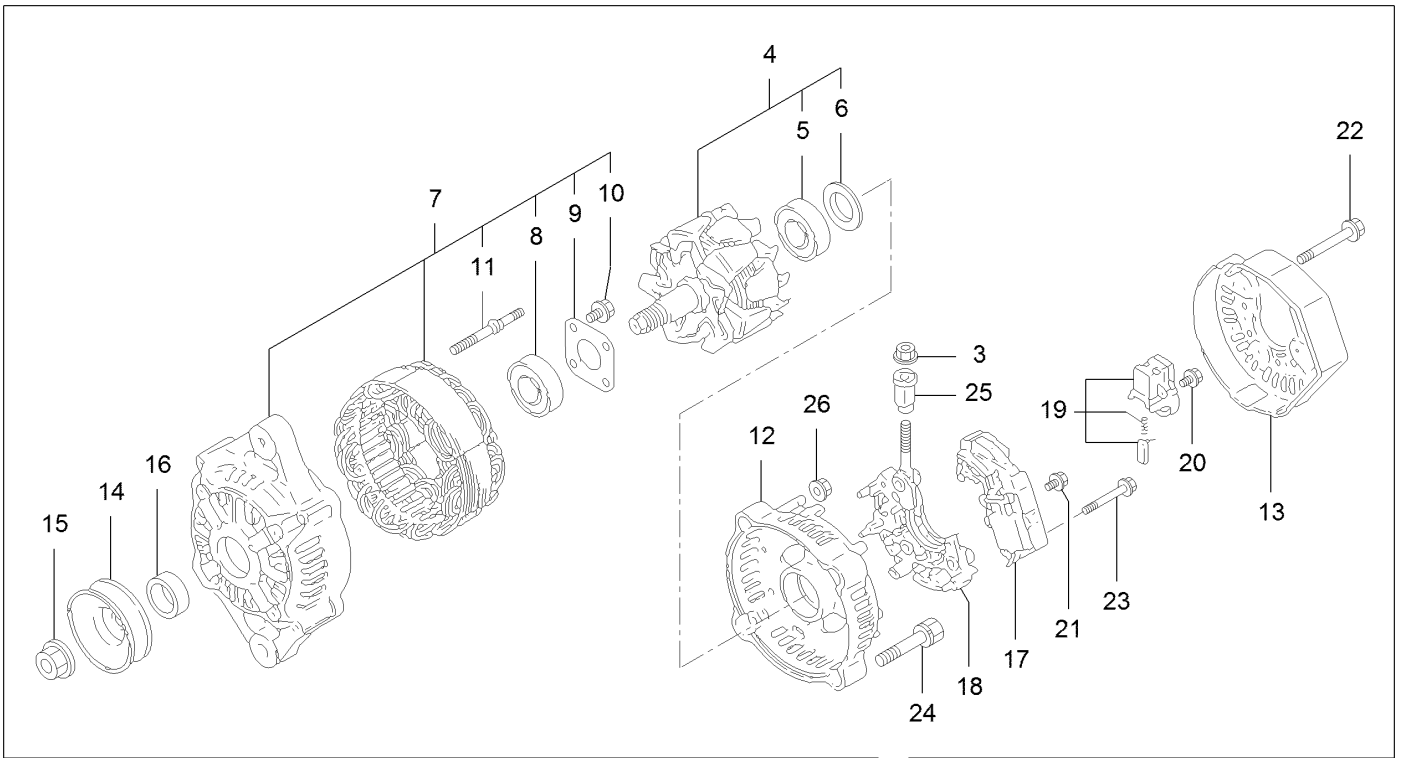
Starting Motor Assembly



Starting Motor Assembly (continued)

| <i>Ref.</i> | <i>Part Number</i> | <i>Qty.</i> | <i>Description</i> | <i>Ref.</i> | <i>Part Number</i> | <i>Qty.</i> | <i>Description</i> |
|-------------|--------------------|-------------|--------------------|-------------|--------------------|-------------|--------------------|
| 1 | 127-3818 | 1 | Starter ASM | 13 | 127-3830 | 1 | Bracket |
| 2 | 127-3819 | 1 | Switch ASM | 14 | 127-3831 | 1 | Gear |
| 3 | 127-3820 | 1 | Armature ASM | 15 | 127-3832 | 1 | Bracket |
| 4 | 127-3821 | 1 | Yoke ASM | 16 | 127-3833 | 1 | Pinion ASM |
| 5 | 127-3822 | 1 | Brush Holder ASM | 17 | 127-3834 | 1 | Shaft |
| 6 | 127-3823 | 2 | Brush | 18 | 127-3835 | 1 | Washer Set |
| 7 | 127-3824 | 1 | Brush Set | 19 | 127-3836 | 1 | Case ASM |
| 8 | 127-3825 | 4 | Spring | 20 | 127-3837 | 1 | Metal-Starter |
| 9 | 127-3826 | 1 | Cover ASM | 21 | 127-3838 | 1 | Lever Set |
| 10 | 127-3827 | 1 | Metal | 22 | 127-3839 | 1 | Dust Cover ASM |
| 11 | 127-3828 | 3 | Gear | 23 | 135-4024 | 2 | Bolt-Through |
| 12 | 127-3829 | 1 | Bracket | 24 | 125-7225 | 2 | Bolt |

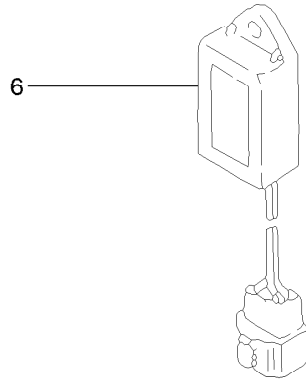
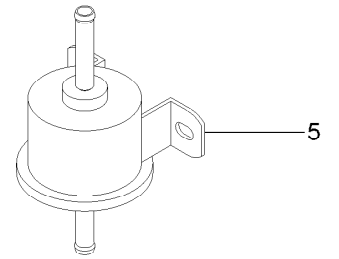
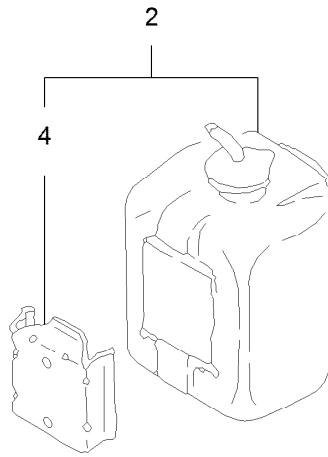
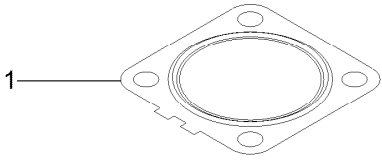
Generator Assembly



Generator Assembly (continued)

| <i>Ref.</i> | <i>Part Number</i> | <i>Qty.</i> | <i>Description</i> | <i>Ref.</i> | <i>Part Number</i> | <i>Qty.</i> | <i>Description</i> |
|-------------|--------------------|-------------|--------------------|-------------|--------------------|-------------|--------------------|
| 1 | 127-3011 | 1 | Stud | 17 | 144-0648 | 1 | Regulator Assy |
| 2 | 139-6018 | 1 | Generator | 18 | 127-3848 | 1 | Holder |
| 3 | 144-0647 | 1 | Nut | 19 | 127-2993 | 1 | Holder |
| 4 | 127-3843 | 1 | Rotor ASM | 20 | 127-2965 | 6 | Screw |
| 5 | 127-2983 | 1 | Bearing-Ball | 21 | 127-2966 | 1 | Screw |
| 6 | 127-2962 | 1 | Cover | 22 | 127-2967 | 3 | Bolt |
| 7 | 135-4025 | 1 | Frame ASM | 23 | 127-2968 | 2 | Screw |
| 8 | 127-2958 | 1 | Bearing-Ball | 24 | 127-2969 | 2 | Bolt |
| 9 | 127-2959 | 1 | Plate-Retainer | 25 | 127-2970 | 1 | Bushing-Insulation |
| 10 | 127-2960 | 4 | Screw | 26 | 127-2971 | 2 | Nut |
| 11 | 127-2961 | 2 | Stud | 27 | 125-7230 | 1 | Nut |
| 12 | 127-3845 | 1 | Frame | 28 | 125-6947 | 1 | Spacer |
| 13 | 127-3846 | 1 | Cover | 29 | 127-2977 | 1 | Adjuster |
| 14 | 127-2954 | 1 | Pulley | 30 | 125-7134 | 1 | Bolt |
| 15 | 127-2955 | 1 | Nut | 31 | 125-7219 | 1 | Bolt |
| 16 | 127-2957 | 1 | Collar | | | | |

Accessories Assembly



Accessories Assembly (continued)

| <i>Ref.</i> | <i>Part Number</i> | <i>Qty.</i> | <i>Description</i> | <i>Ref.</i> | <i>Part Number</i> | <i>Qty.</i> | <i>Description</i> |
|-------------|--------------------|-------------|--------------------|-------------|--------------------|-------------|---------------------|
| 1 | 144-0649 | 1 | Gasket, Silencer | 5 | 121-5613 | 1 | Pump-Fuel, Electric |
| 2 | 140-7185 | 1 | Tank ASM | 6 | 134-1507 | 1 | Timer |
| 4 | 140-7165 | 1 | Bracket-Tank | | | | |

Attachments and Accessories

For 31909A Groundsmaster 3310 All-Wheel Drive Traction Unit

| Product Name | Model/Part |
|--|-------------|
| Filter-Air | 108-3810 |
| Paint-Black Bottle | 112-0176 |
| Paint-Red Pen | 112-0177 |
| Paint-Red Bottle | 112-0178 |
| 15-Pound Cast Weight..... | 112-7059-01 |
| 5in Air Cleaner Safety Element..... | 114-4057 |
| 42-Pound Weight..... | 114-4096 |
| Seat Cover (W/arm rest)..... | 117-0095 |
| Premium Synthetic Bio-Degradable Hydraulic Fluid (5 Gallon Pail) | 119-2157 |
| Premium Synthetic Bio-Degradable Hydraulic Fluid (55 Gallon Drum)..... | 119-2158 |
| Fuel/Water Separator Filter..... | 125-2915 |
| Engine Oil Filter | 125-7025 |
| Exterior Mirror Kit..... | 130-5448 |
| Interior Mirror Kit..... | 130-5449 |
| PX Hydraulic Fluid (5 Gal) | 133-8086 |
| PX Hydraulic Fluid (55 Gal)..... | 133-8087 |
| Wrench-Caster Cap/Latch | 138-6367 |
| Storage Bag Kit..... | 139-2020 |
| SMV Kit..... | 139-2339 |
| Power Harness Kit..... | 140-1559 |
| Filter-Fuel | 144-0453 |
| Kit-Weight | 144-0480 |
| Plate-Weight, 25 LBS | 144-0484 |
| Universal Wireless Hourmeter Kit..... | 144-2436 |
| Kit-Blade, Std (24.5) 3pk..... | 144-3911 |
| Kit-Blade, Med Flow (20.5) 3pk..... | 144-3912 |
| Kit-Blade, High Flow (20.5) 3pk | 144-3913 |
| Kit-Blade, Atomic (20.5) 3pk | 144-3914 |
| Kit-Blade, Low Flow (24.5) 3pk | 144-3915 |
| Kit-Blade, Recycling (24.5) 3pk..... | 144-3916 |
| Kit-Blade, Low Flow (20.5) 3pk | 144-3917 |
| Kit-Blade, Recycling (20.5) 3pk..... | 144-3918 |
| Hose Replacement Kit, Groundsmaster 3200 or 3300 Series Traction Unit..... | 144-3960 |
| Slope Sensor Kit..... | 31952 |
| Auxiliary HYD Kit | 31966 |
| 60in SD Deck..... | 31970 |
| 60in RD Deck..... | 31971 |
| 72in SD Deck..... | 31972 |
| 72in RD Deck..... | 31973 |
| Recycler Kit 60in/152cm SD | 31976 |
| Recycler Kit, 60In/152cm RD..... | 31977 |
| Recycler Kit, 72In/183cm SD | 31978 |
| Recycler Kit, 72In/183cm RD..... | 31979 |
| Storage Box Kit..... | 31983 |
| USB Charging Kit..... | 31984 |
| Road Light Kit (North America) | 31991 |

Attachments and Accessories (continued)

| | |
|--|-----------|
| LED Work Light Kit..... | 31993 |
| Accessory Control Kit | 31994 |
| Led Beacon Kit | 31996 |
| Hydraulic Hose Kit | 31999 |
| Seat Asm - Standard | 32301 |
| Seat Asm - Mech Susp | 32302 |
| Air Ride Suspension Seat Kit, Groudsmaster e3200, 3200, 3300, e3300 SeriesTraction Unit | 32303 |
| Toro Red 12oz Aerosol Can..... | 361-10 |
| Semi-Gloss Black Spray Paint..... | 361-9 |
| Filter-Oil, Transmission..... | 86-3010 |
| Boss Plow, 5ft Straight Blade | MSC23345 |
| Blade Crate (Snowplow), ATV Poly S | STB13567B |



Count on it.