



Count on it.

Parts Catalog

**Station Loop Only Charge Station
Turf Pro™ Series Robotic Mower or Range
Pro Series Ball Picker**

Model No. 30913NA—Serial No. 324000000 and Up



Ordering Replacement Parts

To order replacement parts, please supply the part number, the quantity, and the description of each part desired.

Understanding Reference Numbers

Each identified part in an illustration has a reference number. The reference number for a part also appears in the parts list, along with other information about the part.

This catalog uses two special reference number formats, one to indicate parts in a service assembly and another to indicate the quantity of a given part in an illustration.

Service Assembly Reference Numbers

Parts in service assemblies have reference numbers in the form a:b. The a represents the reference number of the entire service assembly and the b represents a sequential number unique to each part within the service assembly.

For example, a wheel assembly might be identified by reference number 6, the tire by 6:1, the valve by 6:2, and the wheel by 6:3. When you order the assembly identified by reference number 6, you receive all parts identified by reference numbers 6:1, 6:2, and 6:3. However, you may also order any part individually. Reference numbers of this type appear in illustration and in parts lists.

Reference Numbers Indicating Quantity

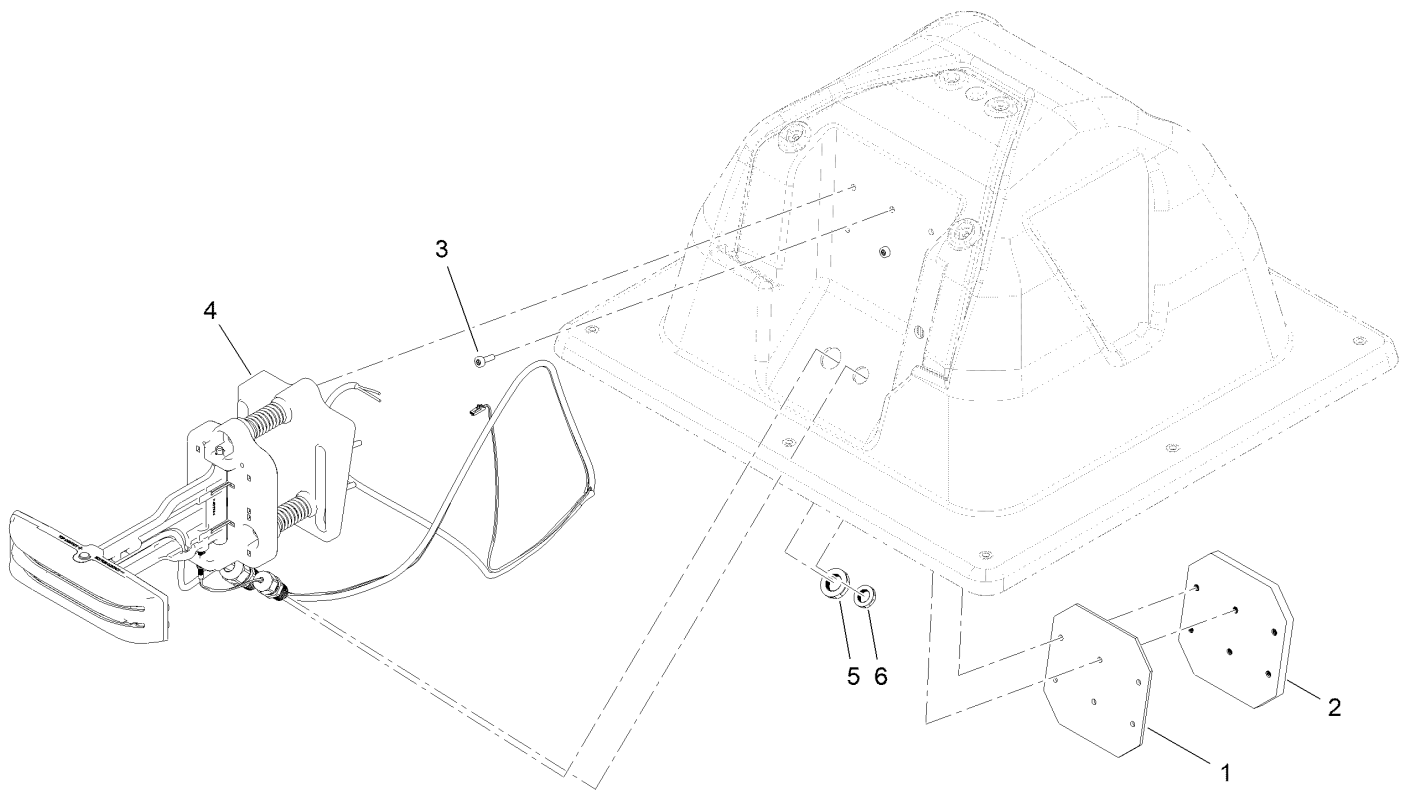
In an illustration, if a reference number indicates more than one part, the reference number has the form nX y. The n represents the quantity of the part, the X is the multiplication symbol, and the y represents the reference number.

For example, in an illustration, the reference number 2X 37 means that two of the parts identified by reference number 37 are indicated.

Contents

Charging Arm Mounting Assembly	4
Charging Arm Assembly No. 163-3810	6
Body Assembly	8
Electrical Assembly	10
Indicator Panel Assembly	12
Attachments and Accessories	14

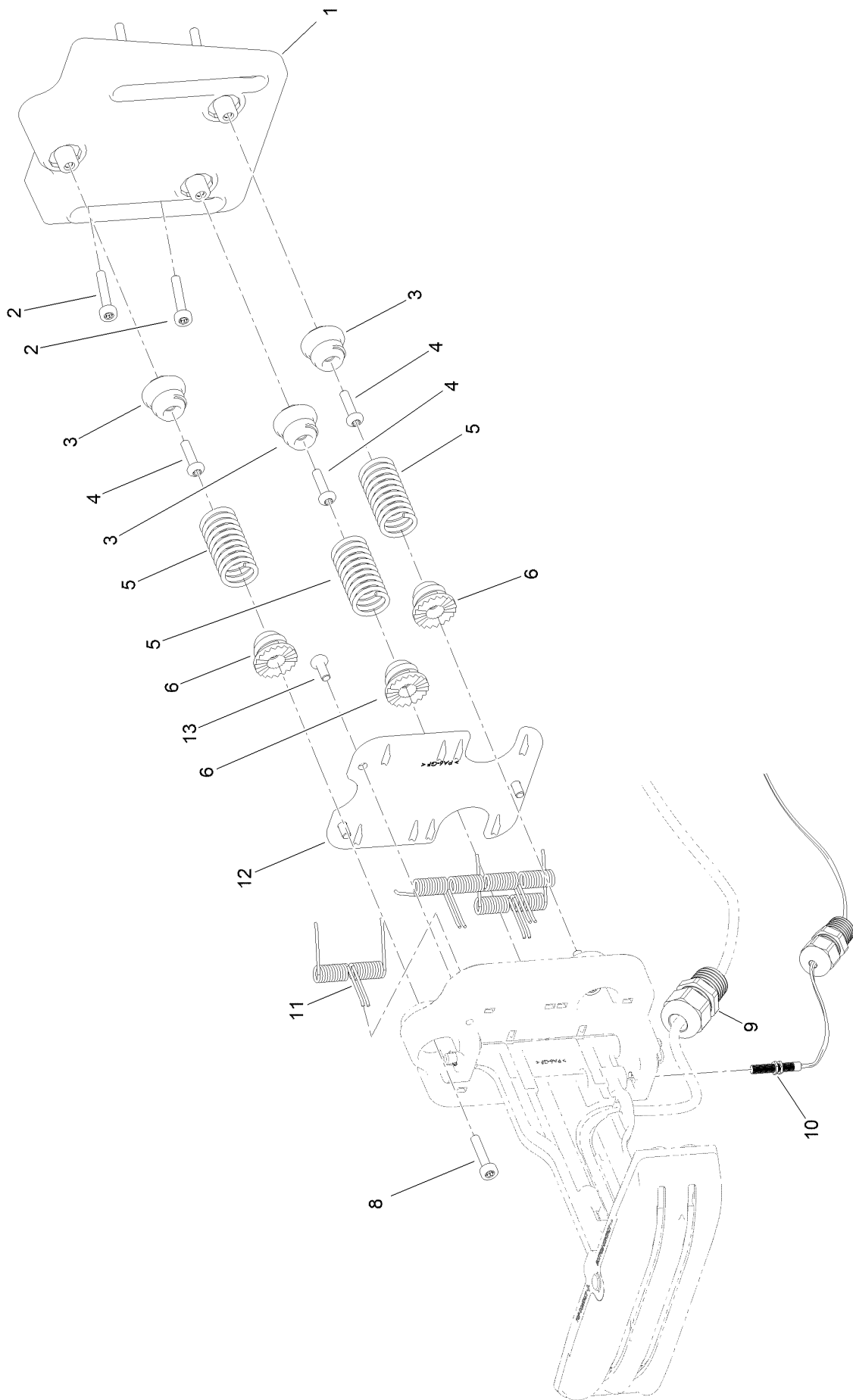
Charging Arm Mounting Assembly



Charging Arm Mounting Assembly (continued)

<i>Ref.</i>	<i>Part Number</i>	<i>Qty.</i>	<i>Description</i>	<i>Ref.</i>	<i>Part Number</i>	<i>Qty.</i>	<i>Description</i>
1	163-3808	1	Gasket-Mount, Charging Arm	4	163-3810	1	Charging Arm Kit
2	163-3809	1	Plate-Mount, Charging Arm	5	163-3825	1	Nut-Grommet, Black, 1/2"
3	163-3824	2	Screw-Tph	6	163-3826	1	Nut-Grommet, Black, 3/8"

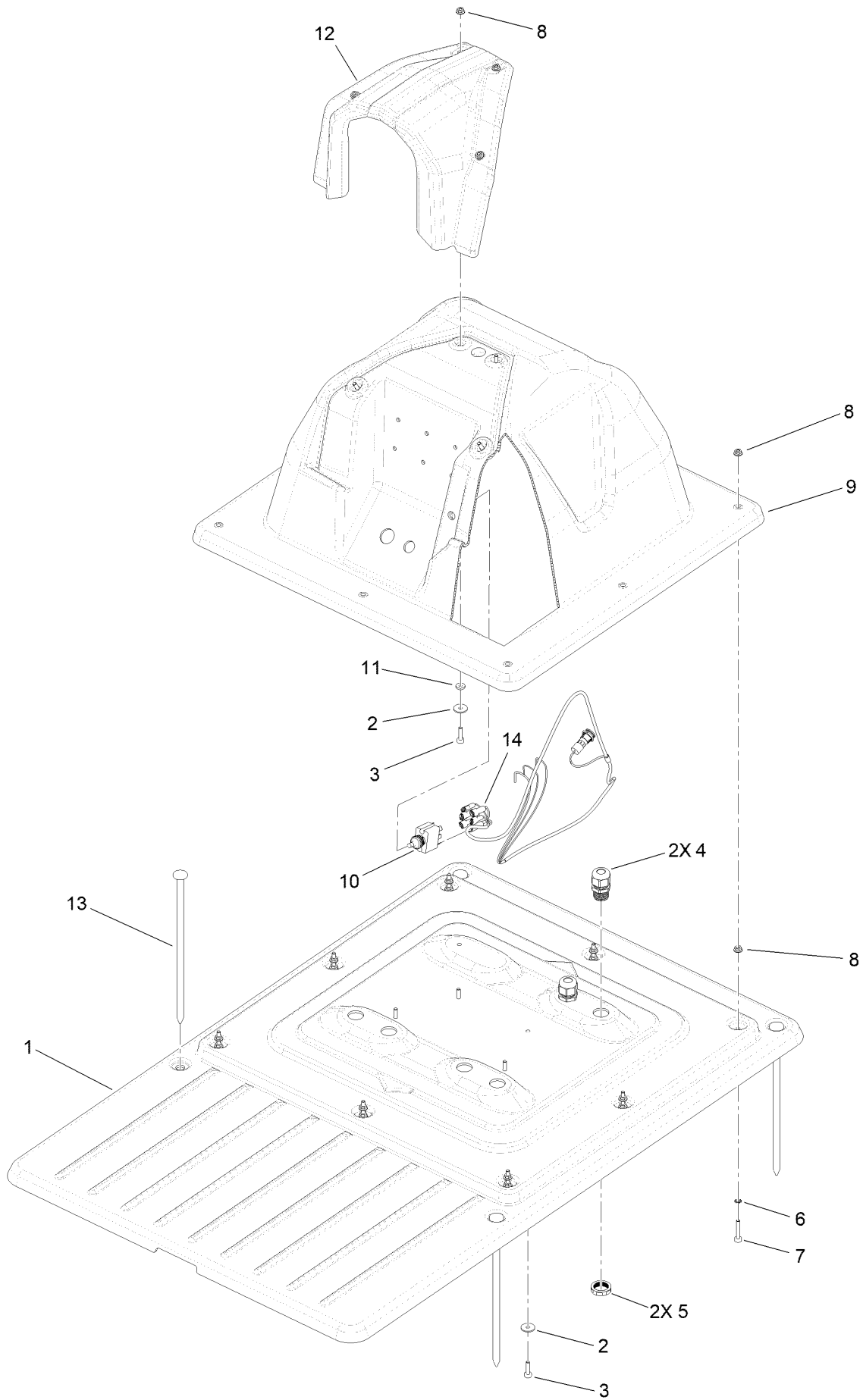
Charging Arm Assembly No. 163-3810



Charging Arm Assembly No. 163-3810 (continued)

<i>Ref.</i>	<i>Part Number</i>	<i>Qty.</i>	<i>Description</i>	<i>Ref.</i>	<i>Part Number</i>	<i>Qty.</i>	<i>Description</i>
1	163-3823	1	Bracket-Mounting, Charging Arm	8	163-5566	3	Screw-Tph
2	163-3822	4	Screw-Tph	9	163-3813	1	Grommet-Cable, Black, 1/2"
3	163-3821	3	Holder-Spring, Inner	10	163-3814	1	Harness-Sensor, Charging Arm
4	163-3820	3	Screw-Tbh	11	163-3815	4	Spring Set-Torsion
5	163-3819	3	Spring-Compression	12	163-3816	1	Plate-Protection
6	163-3818	3	Holder-Spring, Outer	13	163-3817	3	Screw-Tbh

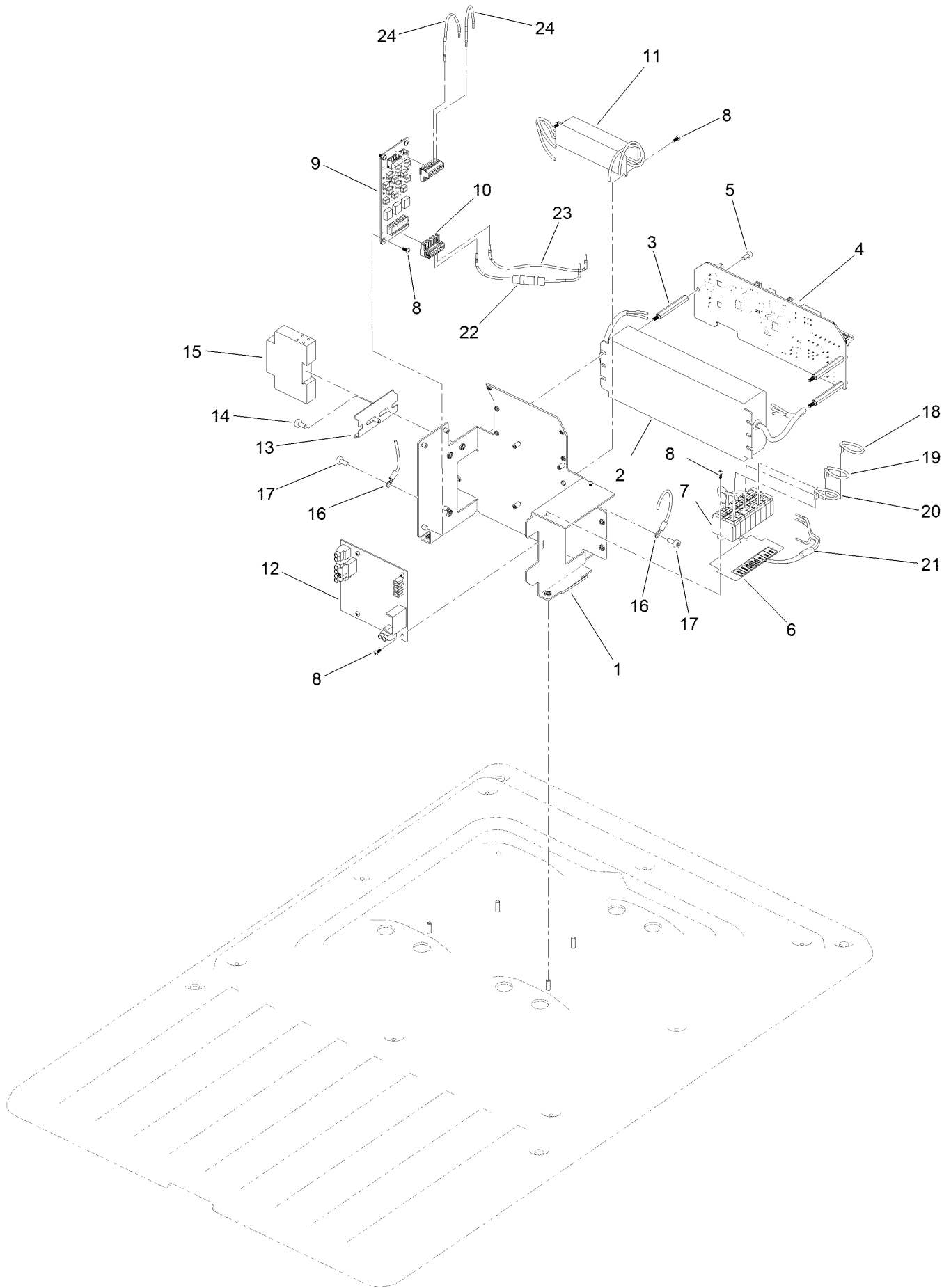
Body Assembly



Body Assembly (continued)

<i>Ref.</i>	<i>Part Number</i>	<i>Qty.</i>	<i>Description</i>	<i>Ref.</i>	<i>Part Number</i>	<i>Qty.</i>	<i>Description</i>
1	163-5871	1	Base-Station, Charging	9	163-5870	1	Cover-Station, Charging
2	163-5877	8	Washer-Flat	10	163-3829	1	Switch-On-Off
3	163-5878	8	Screw-Tph	11	163-3830	4	Washer-Sealing
4	163-3827	2	Grommet-Cable, Gray, 1/2"	12	163-5869	1	Cover-Debris, Charging Station
5	163-3828	2	Nut-Grommet, Gray, 1/2"	13	163-3831	4	Spike
6	163-5787	8	Washer-Tooth	14	163-3841	1	Harness-Wire, On-Off Switch
7	163-3822	8	Screw-Tph				
8	163-5810	20	Nut-Hex, Serrated				

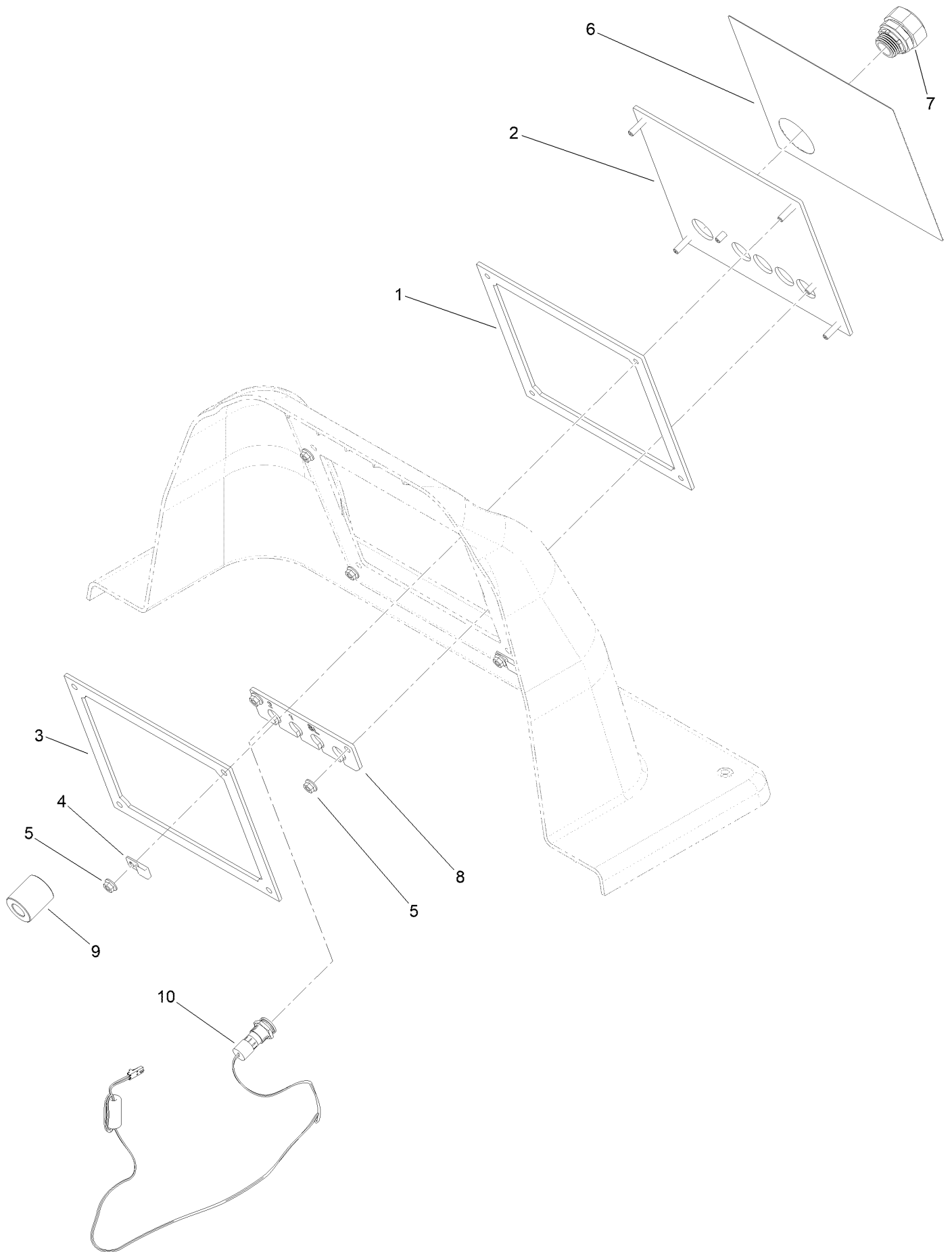
Electrical Assembly



Electrical Assembly (continued)

<i>Ref.</i>	<i>Part Number</i>	<i>Qty.</i>	<i>Description</i>	<i>Ref.</i>	<i>Part Number</i>	<i>Qty.</i>	<i>Description</i>
1	163-5872	1	Bracket-Control	13	163-5891	1	Rail-Din
2	163-5879	1	Inverter-Power	14	163-5892	2	Screw-Tph
3	163-5880	3	Spacer-Hex, Threaded	15	163-5894	1	Protector-Surge
4	163-5881	1	Board-Control, Power	16	163-5895	2	Lead-Ground, Green
5	163-5882	4	Screw-Tph	17	163-5893	2	Screw-Tph
6	163-5883	1	Decal-Operation	18	163-5896	1	Lead-Green, 150MM
7	163-5884	1	Terminal Block ASM	19	163-5897	1	Lead-Blue, 150MM
8	163-5885	12	Screw-PPH	20	163-5898	1	Lead-Brown, 150MM
9	163-5886	1	Board-Control	21	163-5899	1	Harness-Wire, 355MM
10	163-5887	2	Connector-Male	22	163-3800	1	Coil-Inductor
11	163-5888	1	Inverter-Control Board	23	163-3801	1	Lead-Surge, SI, Red
12	163-5889	1	Board-Control	24	163-3804	2	Lead-Filter, SI, Red

Indicator Panel Assembly



Indicator Panel Assembly (continued)

<i>Ref.</i>	<i>Part Number</i>	<i>Qty.</i>	<i>Description</i>	<i>Ref.</i>	<i>Part Number</i>	<i>Qty.</i>	<i>Description</i>
1	163-3832	1	Gasket-Panel	6	163-3969	1	Decal - Model/Serial
2	163-3833	1	Panel-Serial, Charging Station	7	163-3836	1	Connector-Conduit, Gray 1/2"
3	163-3834	1	Plate-Backing, Panel	8	163-3837	1	Plate-Indicator
4	163-3835	2	Clip-Cable Tie	9	163-3807	1	Core-Emi Suppression
5	163-5810	6	Nut-Hex, Serrated	10	163-3838	1	Indicator-LED, SI

Attachments and Accessories

**For 30913NA Station Loop Only Charge Station Turf Pro Series Robotic Mower
or Range Pro Series Ball Picker**

Product Name	Model/Part
Kit-Inductor	163-3921
Wire-Spool-1000 FT	163-3926
Wire-Spool-250 FT	163-3927
Relay-Ball Drop	163-3936

Notes:



Count on it.