



Sand Pro[®] 3020

Model No. 08885 - 230000501 and up.

Parts Catalog

Ordering Replacement Parts

To order replacement parts, please supply: the part number, the quantity, and the description of each part desired.

Understanding Reference Numbers

Each identified part in an illustration has a reference number. The reference number for a part also appears in the parts list, along with other information about the part.

This catalog uses two special reference number formats, one to indicate parts in a service assembly and another to indicate the quantity of a given part in an illustration.

Service Assembly Reference Numbers

Parts in service assemblies have reference numbers in the form **a:b**. The **a** represents the reference number of the entire service assembly and the **b** represents a sequential number unique to each part within the service assembly.

For example, a wheel assembly might be identified by reference number **6**, the tire by **6:1**, the valve by **6:2**, and the wheel by **6:3**. When you order the assembly identified by reference number **6**, you receive all parts identified by reference numbers **6:1**, **6:2**, and **6:3**. However, you may also order any part individually. Reference numbers of this type appear in illustrations and in part lists.

Reference Numbers Indicating Quantity

In an illustration, if a reference number indicates more than one part, the reference number has the form **nX y**. The **n** represents the quantity of the part, the **X** is the multiplication symbol, and the **y** represents the reference number.

For example, in an illustration, the reference number **2X 37** means that two of the parts identified by reference number **37** are indicated.

Part Description Abbreviations

Part descriptions in this catalog may include the following abbreviations.

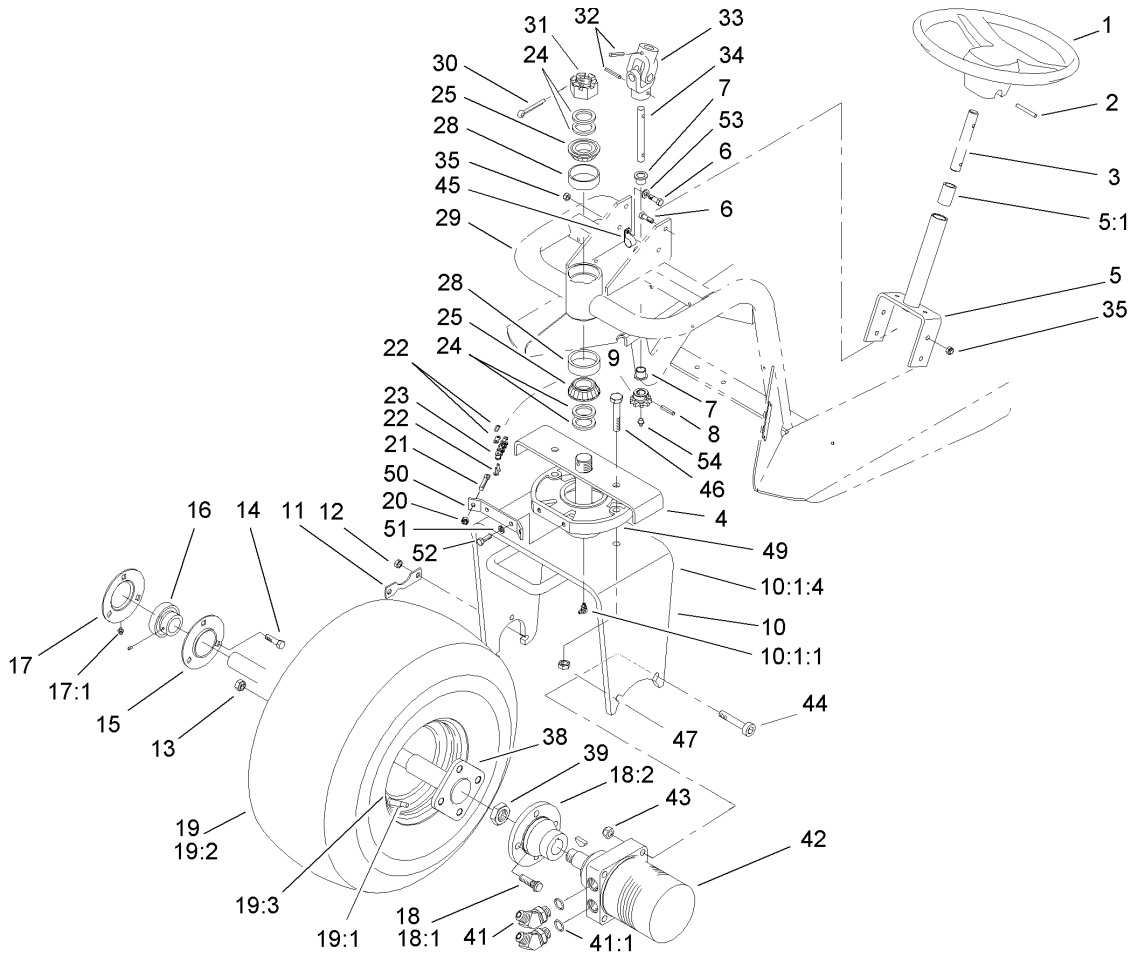
AR.	as required	HWHTF.	hex washer head thread forming
ASM.	assembly	HYD.	hydraulic
CARR.	carriage	INC.	incorporated
DEG.	degrees	LH.	left hand
FH.	flat head	NI.	nylon insert
GA.	gauge	PPH.	phillips pan head
HF.	hex flange	PTH.	phillips truss head
HH.	hex head	PTO.	power take off
HHF.	hex head flange	RH.	right hand
HHFTF.	hex head flange thread forming	SFH.	slotted fillister head
HJ.	hex jam	SHH.	slotted hex head
HLH.	hex lag head	SHWH.	slotted hex washer head
HOC.	height-of-cut	SPH.	slotted pan head
HS.	hex	SQH.	square head
HSBH.	hex socket button head	SRH.	slotted round head
HSFH.	hex socket flat head	STD.	standard
HSH.	hex socket head	TAP.	self tapping
HWH.	hex washer head	TTH.	torx truss head

Footnotes

- | | | | |
|---|--|---|--|
| ❶ | Not illustrated | ❷ | Not serviced separately |
| ❸ | Included in Engine Gasket Set-Part No. 808390. | ❹ | Included in Valve Gasket Set-Part No. 808392. |
| ❺ | Included in Valve Gasket Set-Part No 808392. | ❻ | Included in Carburetor Overhaul Kit-Part No. 808273. |

Contents

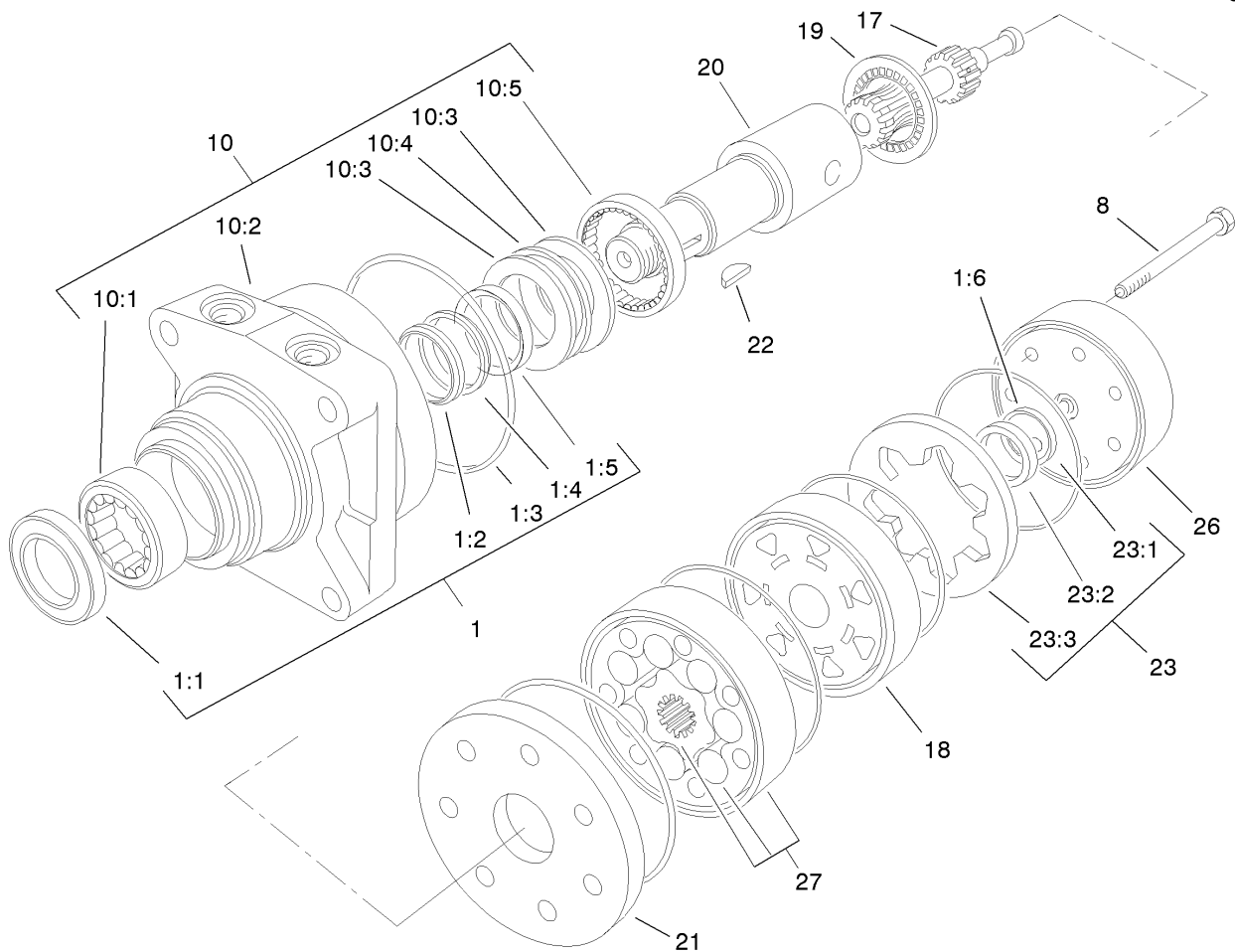
Description	Page	Description	Page
Front Wheel and Steering Assembly 3	Crankshaft Assembly Briggs and Stratton 303447-1180-E1 29
Hydraulic Drive Motor Assembly No. 75-9830 5	Crankcase Assembly Briggs and Stratton 303447-1180-E1 30
Traction Pedal Assembly 6	Carburetor Assembly Briggs and Stratton 303447-1180-E1 31
Pump Control Lever Assembly 7	Air Cleaner Assembly Briggs and Stratton 303447-1180-E1 32
Hydraulic Pump Installation Assembly 8	Blower Housing Assembly Briggs and Stratton 303447-1180-E1 33
Variable Reversible Pump Assembly No. 106-9248 9	Governor Assembly Briggs and Stratton 303447-1180-E1 34
Rear Wheel Drive Assembly 11	Flywheel Assembly Briggs and Stratton 303447-1180-E1 35
Hydraulic Cylinder Assembly No. 83-7000 12	Starter Assembly Briggs and Stratton 303447-1180-E1 36
Hydraulic Drive Motor Assembly No. 75-9831 13	Engine Parts Kit Briggs and Stratton 303447-1180-E1 37
Hydraulic Motor Assembly No. 75-9840 14	Gasket Kit Briggs and Stratton 303447-1180-E1 38
Seat Assembly 15	Carburetor Overhaul Kit Assembly Briggs and Stratton 303447-1180-E1 39
Fuel Tank Assembly 16		
Engine Installation Assembly 17		
Dash Panel Assembly 18		
Shroud and Oil Cooler Assembly 19		
Air Cleaner Assembly No. 95-5805 20		
Hydraulic Oil Reservoir and Filter Assembly 21		
Lift Valve Installation Assembly 22		
Valve Assembly No. 43-1710-01 23		
Brake Installation Assembly 24		
Brake Assembly No. 104-7705 25		
Wire Harness Schematic 26		
Hydraulic Schematic 27		
Cylinder Assembly Briggs and Stratton 303447-1180-E1 28		



Front Wheel and Steering Assembly

Ref	Part No.	Qty.	Description
1	76-1420	1	Wheel-Steering
2	32121-111	1	Pin-Roll
3	85-6610	1	Shaft-Steering
4	92-7179-01	1	Plate-Stop, Fork
5	92-5035	1	Steering Post ASM
5:1	256-185	1	Bushing
6	322-5	4	Screw-HH
7	65-8770	2	Bushing-Bellcrank
8	98-0973	1	Pin-Grooved
9	85-9180	1	Sprocket-Steering
10		1	Fork ASM
10:1:1	302-33	1	Fitting-Grease
10:1:4	98-0950-01	1	Fork
11	88-8350	1	Tab-Bearing
12	3296-39	3	Nut-Lock, NI
13	242-50	4	Nut-Lug
14	323-29	3	Screw-HH
15	85-8950	1	Flangette-STD
16	251-352	1	Bearing
17	85-8940	1	Flangette-Relube
17:1	302-5	1	Fitting-Grease
18		1	Front Wheel Hub ASM
18:1	10-6830	4	Stud-Type, Drive
18:2	93-6838-03	1	Hub-Wheel
19		1	Wheel And Tire ASM

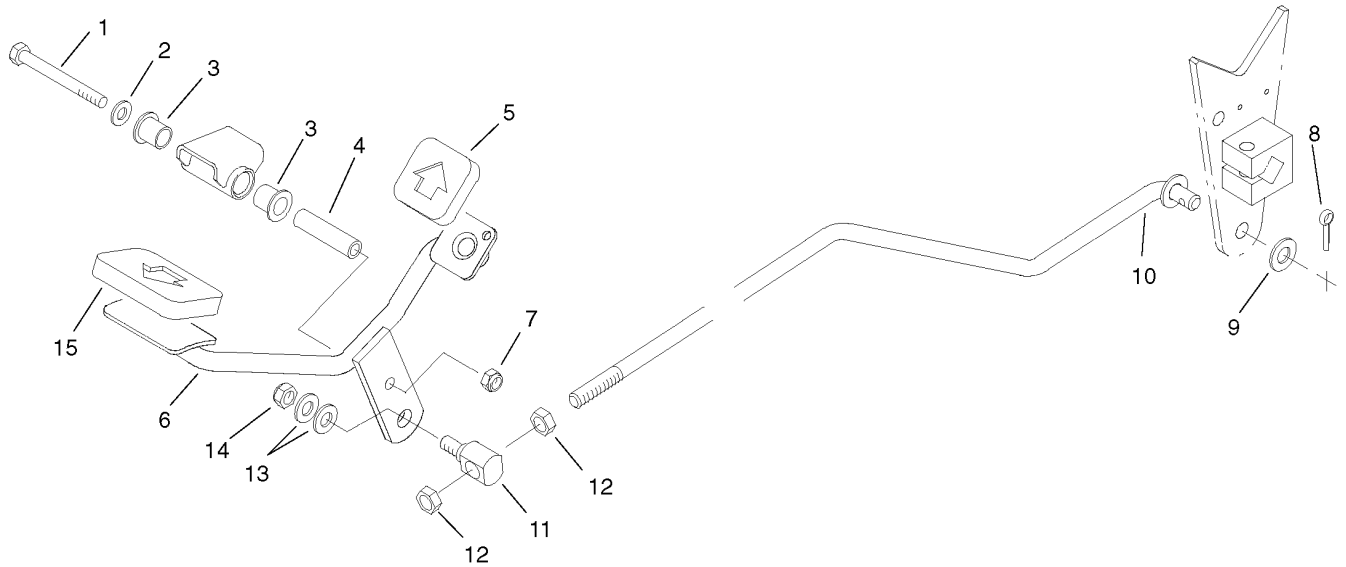
Ref	Part No.	Qty.	Description
19:1	232-35	1	Valve Stem And Cap ASM
19:2	85-8290	1	Tire
19:3	94-6116	1	Wheel-Rear
20	3296-4	2	Nut-Lock, NI
21	18-6380	2	Pin-Adjustment, Steering
22	2710-11	2	Link-Chain
23	92-5039	1	Chain-Steering
24	18-6320	4	Washer-Steering
25	254-70	2	Bearing-Cone
28	254-61	2	Bearing-Cup
29	95-0600-01	1	Frame
30	3272-37	1	Pin-Cotter
31	32136-9	1	Nut-SHH
32	32121-15	2	Pin-Roll
33	85-9200	1	Knuckle-Steering
34	98-0928	1	Shaft-Steering, Lower
35	3296-29	4	Nut-Lock, NI
38	92-8969	1	Spindle
39	26-3790	1	Nut-Lock
41	353-427	2	Fitting-45 DEG
41:1	237-80	1	O-Ring
42	75-9830	1	Motor-HYD
43	3296-23	2	Nut-Lock, NI
44	3274-93	2	Screw-HSH
45	94-6821	2	Clamp-Wire



Hydraulic Drive Motor Assembly No. 75-9830

Ref	Part No.	Qty.	Description
1	94-8178	1	Seal Kit
● 1:1		1	Seal-Dirt And Water
● 1:2		1	Washer-Backup
● 1:3		5	Seal-Ring
● 1:4		1	Washer-Backup
● 1:5		1	Seal-Inner
● 1:6		1	Seal-Commutator
8	76-1030	7	Screw-HH
10	76-0810	1	Housing ASM
● 10:1		1	Bearing
● 10:2		1	Housing
● 10:3		2	Washer-Thrust
● 10:4		1	Bearing-Thrust
● 10:5		1	Bearing
17	76-0930	1	Link-Drive
18	76-0840	1	Manifold
19	76-0850	1	Bearing-Thrust
20	76-0860	1	Shaft-Coupling
21	76-0870	1	Plate-Wear
22	3257-42	1	Key-Woodruff
23	76-0880	1	Commutator ASM
● 23:1		1	Seal-Commutator
● 23:2		1	Commutator
● 23:3		1	Ring-Commutator

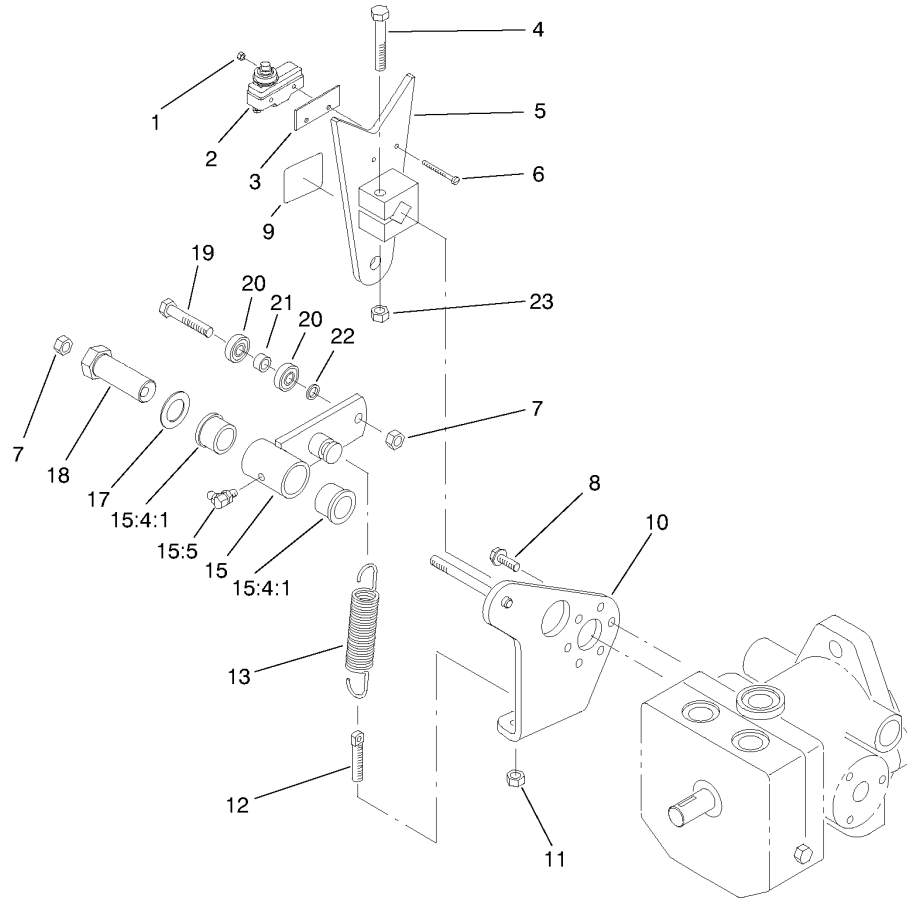
Ref	Part No.	Qty.	Description
26	76-0940	1	End Cover ASM
27	76-0950	1	Rotor Set



Traction Pedal Assembly

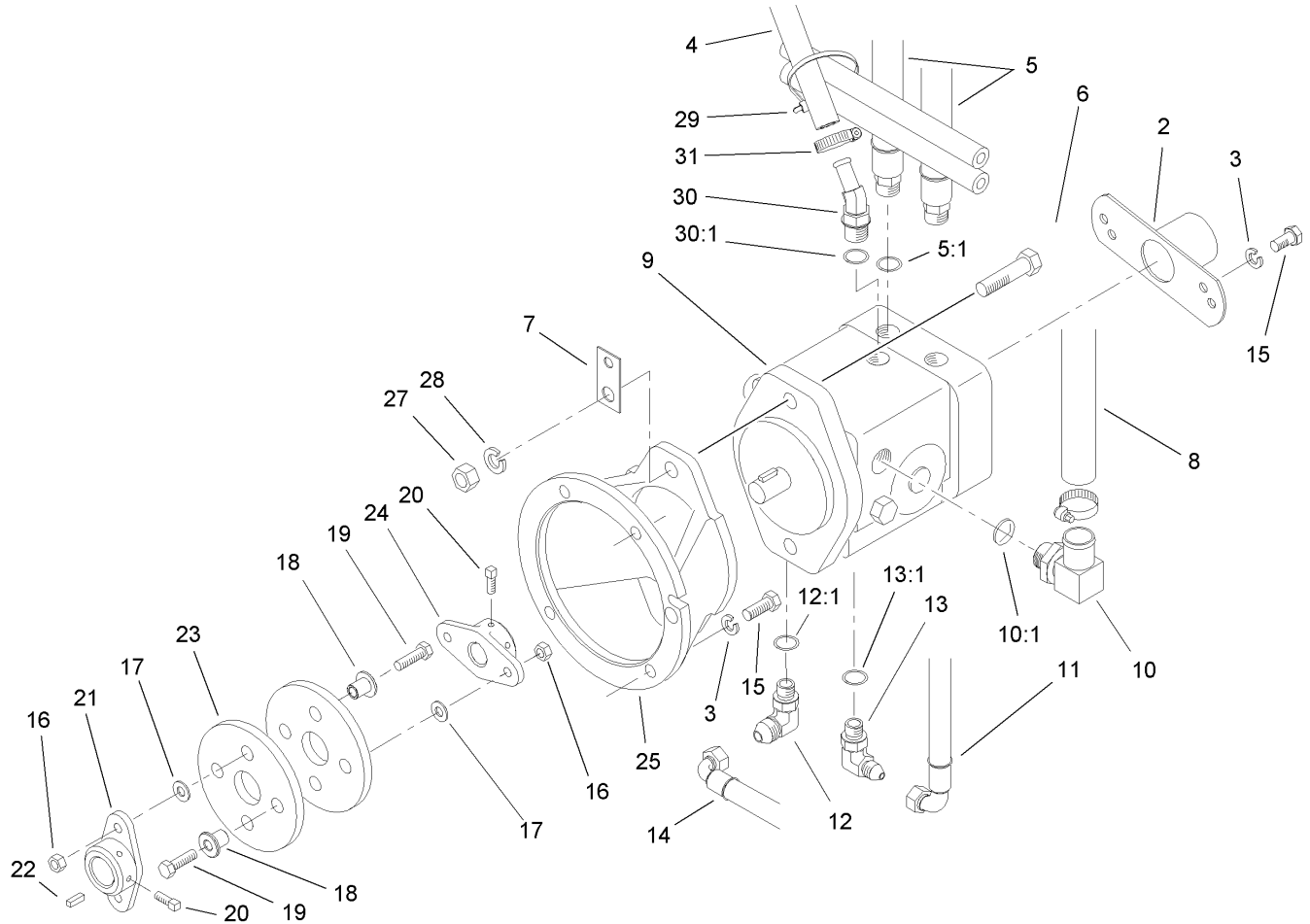
Ref	Part No.	Qty.	Description
1	322-14	1	Screw-HH
2	3256-23	1	Washer-Flat
3	256-219	2	Bushing
4	85-8960	1	Spacer
5	74-9110	1	Pad-Pedal, Reverse
6	92-2343-01	1	Pedal
7	3296-29	1	Nut-Lock, NI
8	3272-16	1	Pin-Cotter
9	3256-25	1	Washer-Flat
10	95-0584	1	Rod-Control
11	92-2344	1	Trunnion
12	3218-5	2	Nut-Jam
13	3256-24	2	Washer-Flat
14	3296-39	1	Nut-Lock, NI
15	74-9100	1	Pad-Pedal, Forward

--	--	--	--



Pump Control Lever Assembly

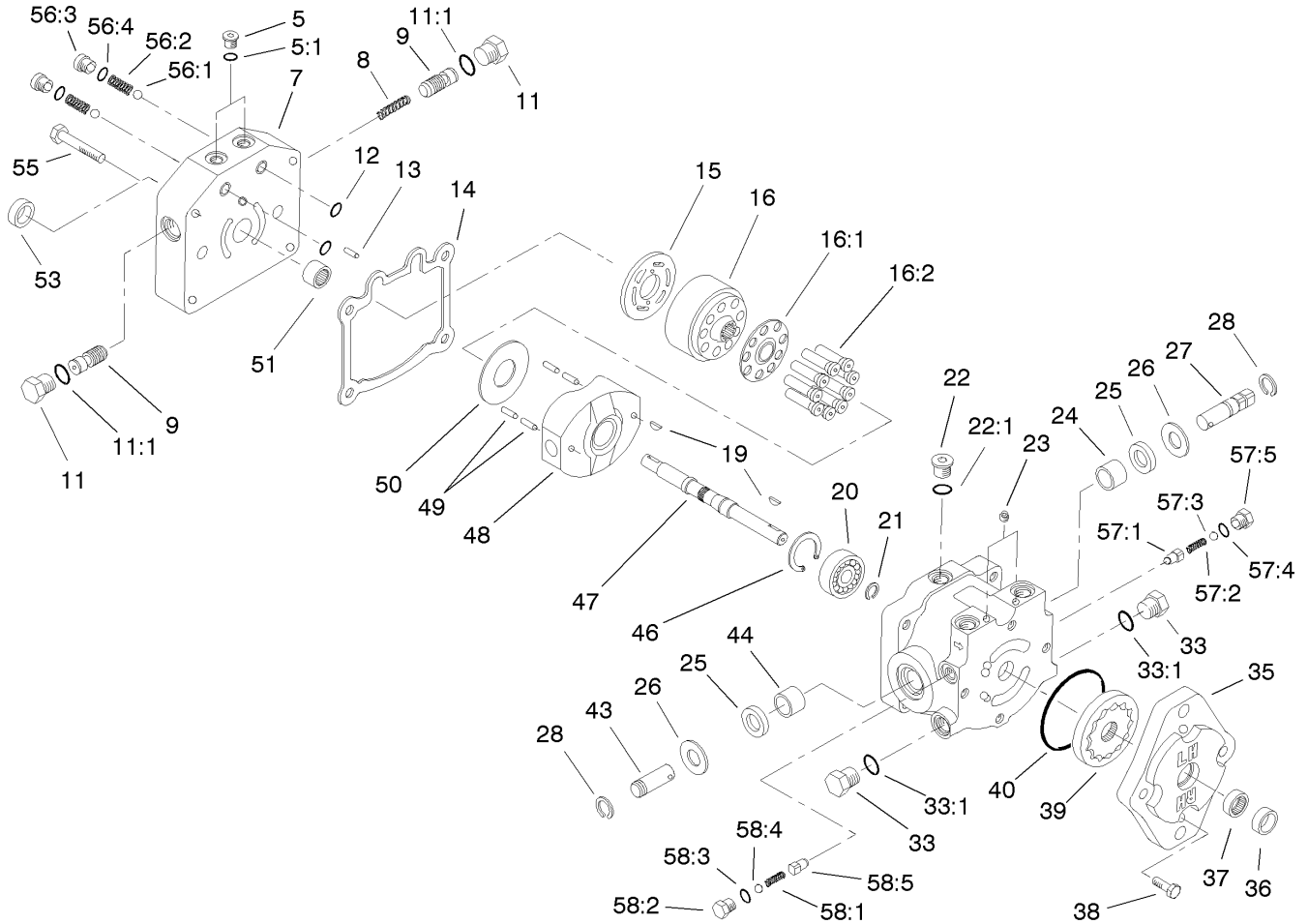
Ref	Part No.	Qty.	Description				
1	3296-9	2	Nut-Lock, NI				
2	29-6163	1	Switch-Micro				
3	85-9150	1	Plate-Switch				
4	323-10	1	Screw-HH				
5	85-8300-03	1	Lever-Pump				
6	32105-21	2	Screw-HH				
7	3296-29	2	Nut-Lock, NI				
8	49-2040	3	Screw-Tapping				
9	93-9051	1	Decal-Bolt, Eccentric				
10	95-0553-03	1	Plate-Pump				
11	3296-4	1	Nut-Lock, NI				
12	18-6380	1	Pin-Adjustment, Steering				
13	85-9030	1	Spring-Extension				
15	85-8460	1	Switch Arm ASM				
15:4:1	256-113	2	Bushing-Flange				
15:5	302-60	1	Fitting-Grease				
17	3-6498	1	Washer-Thrust				
18	76-8640	1	Stud-Traction				
19	322-8	1	Screw-HH				
20	251-307	2	Bearing-Ball				
21	85-9120	1	Spacer-Pivot, Tilt				
22	75-5470	1	Spacer-Bearing				
23	3296-39	1	Nut-Lock, NI				



Hydraulic Pump Installation Assembly

Ref	Part No.	Qty.	Description
2	95-0632-03	1	Cover ASM
3	3253-5	6	Washer-Lock
4	98-8153	1	Hose-Return
5	95-0595	2	Hose-HYD
5:1	237-79	1	O-Ring
6	325-7	2	Screw-HH
7	26-2950	1	Wire-Standoff
8	95-0555	1	Hose-Suction
9	106-9248	1	Pump-Reversible, Variable
10	95-0629	1	Fitting-Hose, Push On
10:1	237-80	1	O-Ring
11	95-0592	1	Hose ASM
12	353-511	1	Elbow-90 DEG
12:1	237-42	1	O-Ring
13	353-374	1	Elbow-90 DEG
13:1	237-42	1	O-Ring
14	95-0591	1	Hose-HYD
15	323-6	6	Screw-HH
16	3296-29	4	Nut-Lock, NI
17	3256-23	4	Washer-Flat
18	71-4411	4	Spacer
19	322-7	4	Screw-HH
20	3241-5	4	Screw-Set
21	27-1960	1	Hub-Engine
22	13-2840	1	Key-Square

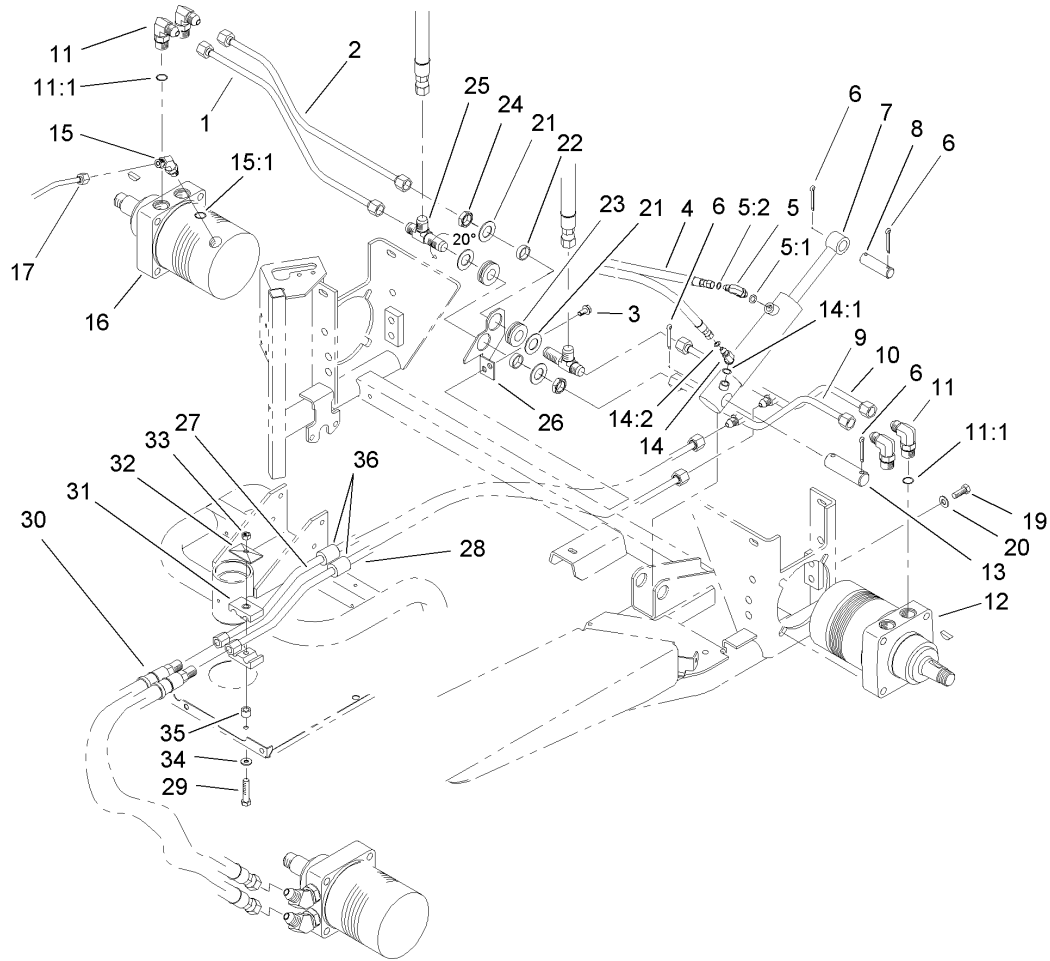
Ref	Part No.	Qty.	Description
23	80-8650	2	Coupling-Drive
24	49-9600	1	Hub-Pump
25	95-0631-03	1	Mount-Pump
27	3217-9	2	Nut-Hex
28	3253-7	2	Washer-Lock
29	3290-378	1	Tie-Cable
30	354-126	1	Fitting-Hyd, 45 DEG
30:1	237-79	1	O-Ring
31	2412-36	1	Clamp-Hose



Variable Reversible Pump Assembly No. 106-9248

Ref	Part No.	Qty.	Description
5	92-8776	2	Plug
5:1	92-8777	1	O-Ring
7	95-5808	1	Cap-End
8	25-2610	1	Spring-Valve
9	95-5814	2	Valve-Acceleration
11	28-3440	1	Plug-Threaded
11:1	75-0240	1	O-Ring
12	93-4132	2	O-Ring
13	25-2430	1	Pin-Dowel
14	25-2400	1	Gasket
15	95-5811	1	Plate-Valve
16	48-1800	1	Cylinder Block Kit
●16:1		1	Retainer-Slipper
●16:2		9	Piston ASM
19	3257-32	2	Key-Woodruff
20	95-5809	1	Bearing-Ball
21	94-3996	1	Ring-Retaining
22	353-988	1	Plug-Hex, Hollow
22:1	237-79	1	O-Ring
23	285-17	2	Plug-Pipe
24	88-8190	1	Bearing-Journal
25	25-3210	2	Seal-Lip
26	25-2510	2	Washer-Flat
27	88-8180	1	Shaft-Trunnion
28	32151-46	2	Ring-Retaining

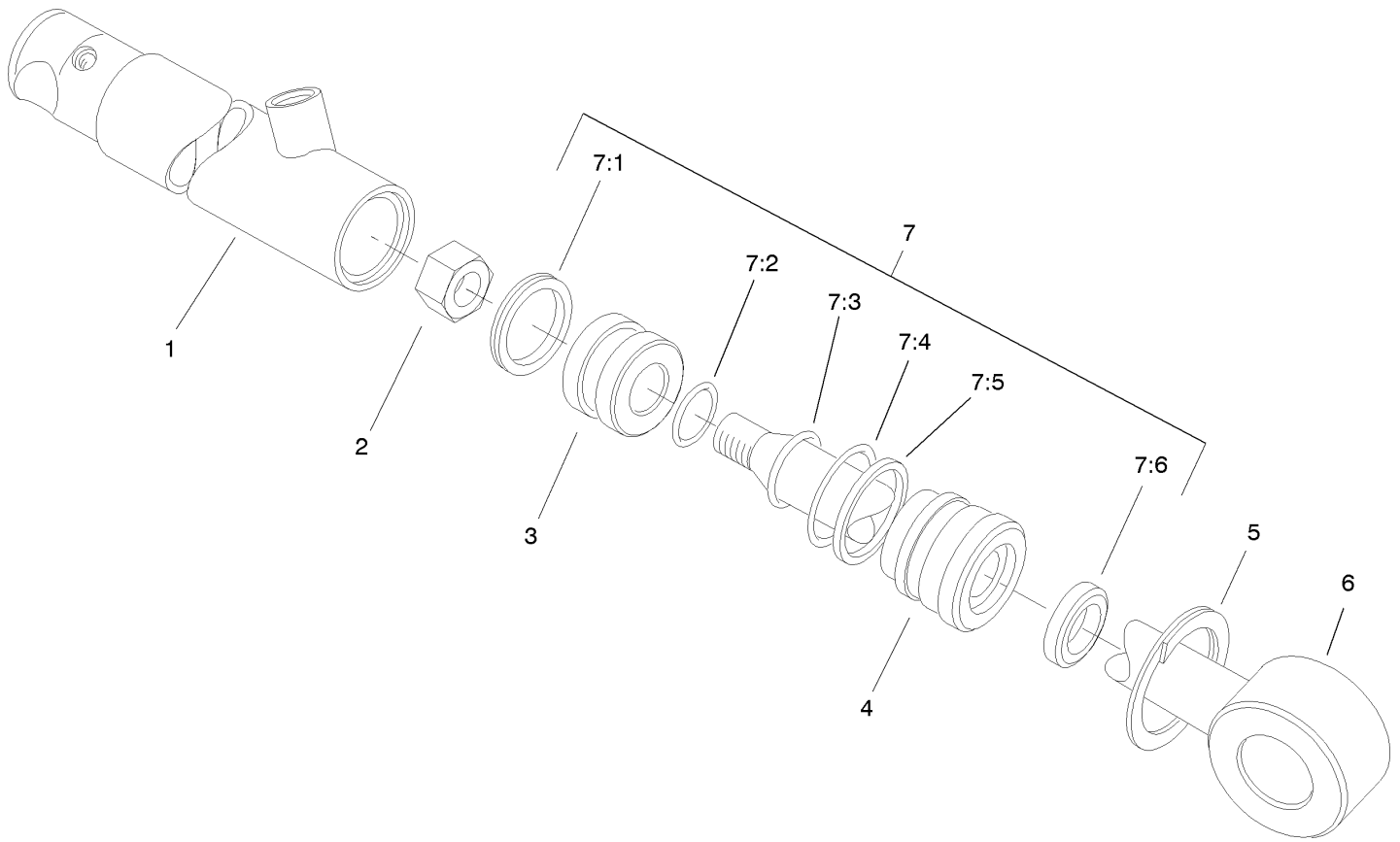
Ref	Part No.	Qty.	Description
33	88-8210	2	Plug
33:1	237-80	1	O-Ring
35	25-2690	1	Housing-Pump, Charge
36	67-8060	1	Seal-Lip
37	67-8050	1	Bearing-Needle
38	322-4	4	Screw-HH
39	95-5812	1	Gerotor ASM
40	237-95	1	O-Ring
43	25-2500	1	Shaft-Trunnion
44	252-82	1	Bearing-Needle
46	32120-11	1	Ring-Retaining
47	95-5810	1	Shaft
48	25-2450	1	Plate-Swash, Variable
49	32121-91	4	Pin-Spring, Coil
50	25-2380	1	Plate-Thrust
51	46-8400	1	Bearing-Shaft
53	88-8230	1	Seal-Lip
55	323-45	4	Screw-HH
●56	99-5689	1	Check Valve ASM
56:1	25-2490	1	Ball
56:2	25-2640	1	Spring-Valve
56:3	25-2650	1	Plug-Valve, Check
56:4	237-86	1	O-Ring
●57	49-8520	1	Implement Relief Kit
57:1	83-7260	1	Cone-Relief, Charge



Rear Wheel Drive Assembly

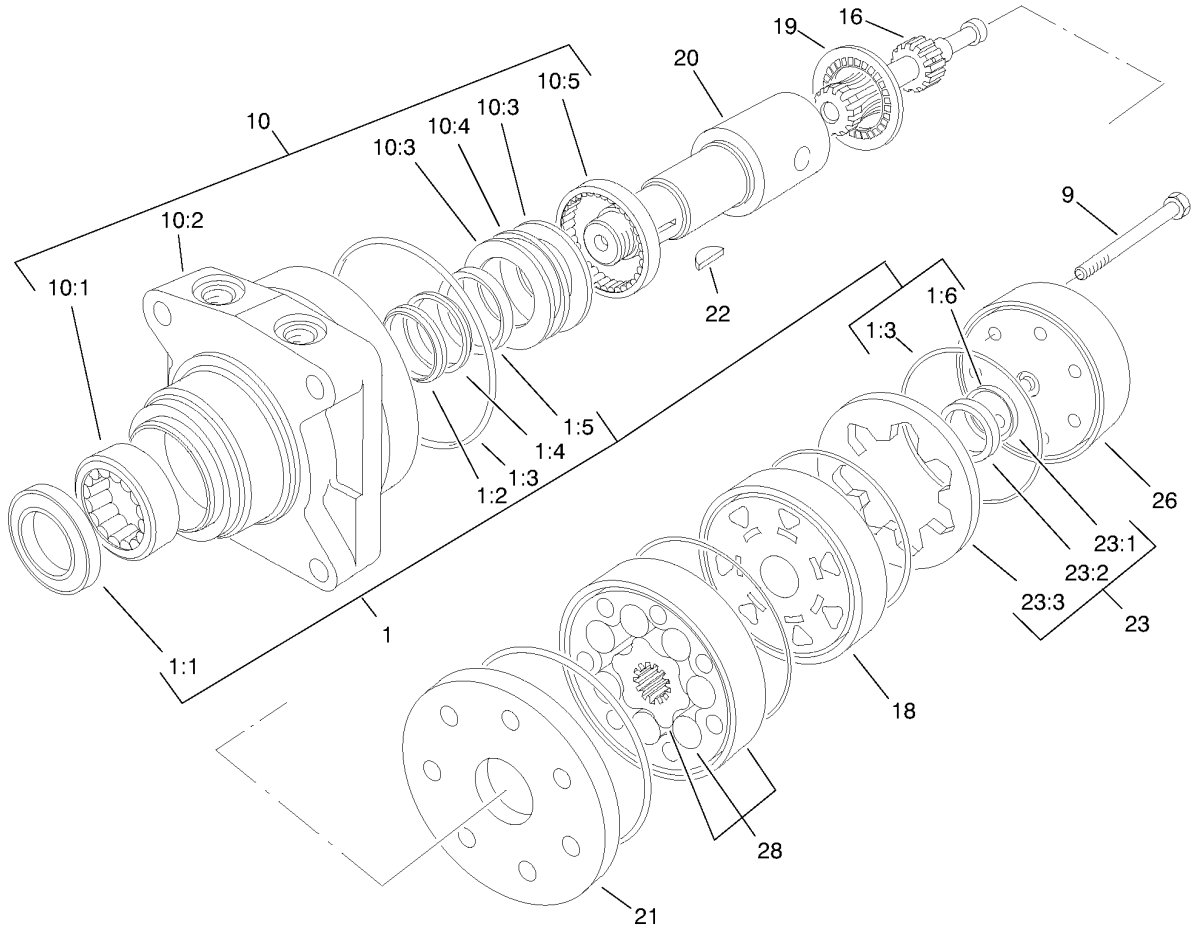
Ref	Part No.	Qty.	Description
1	95-0564	1	Tube-Rh, Front
2	95-0559	1	Tube-Rh, Rear
3	32144-14	2	Screw-HWH
4	75-6200	2	Hose
5	340-132	1	Fitting-Hyd, 90 DEG
5:1	237-78	1	O-Ring
5:2	237-21	1	O-Ring
6	3272-23	4	Pin-Cotter
7	83-7000	1	HYD Cylinder ASM
8	18-7310	1	Pin-Cylinder
9	95-0560	1	Tube-Lh, Front
10	95-0567	1	Tube-Lh, Rear
11	353-426	4	Fitting-90 DEG
11:1	237-80	1	O-Ring
12	75-9831	1	Motor-HYD
13	18-7160	1	Pin-Cylinder
14	340-103	1	Fitting-Hyd, 45 DEG
14:1	237-78	1	O-Ring
14:2	237-21	1	O-Ring
15	353-212	1	Elbow
15:1	237-42	1	O-Ring
16	75-9840	1	Motor-HYD
17	95-0575	1	Tube-Valve, Shuttle
19	325-5	4	Screw-HH
20	3256-26	4	Washer-Flat

Ref	Part No.	Qty.	Description
21	69-8930	4	Washer
22	69-8960	2	Spacer
23	240-5	2	Grommet
24	95-0642	2	Locknut-Bulkhead
25	95-0577	2	Fitting-Bulkhead
26	95-0568-01	1	Bracket-Bulkhead
27	95-0562	1	Tube-RH
28	95-0563	1	Tube-LH
29	321-18	1	Screw-HH
30	51-0600	2	Hose ASM
31	56-7976	2	Clamp-Tube
32	69-9760	1	Coverplate
33	3296-8	1	Nut-Lock, NI
34	3256-78	1	Washer-Flat
35	52-2480	1	Spacer-Wheel
36	38-3400	3	Guard-Rubber



Hydraulic Cylinder Assembly No. 83-7000

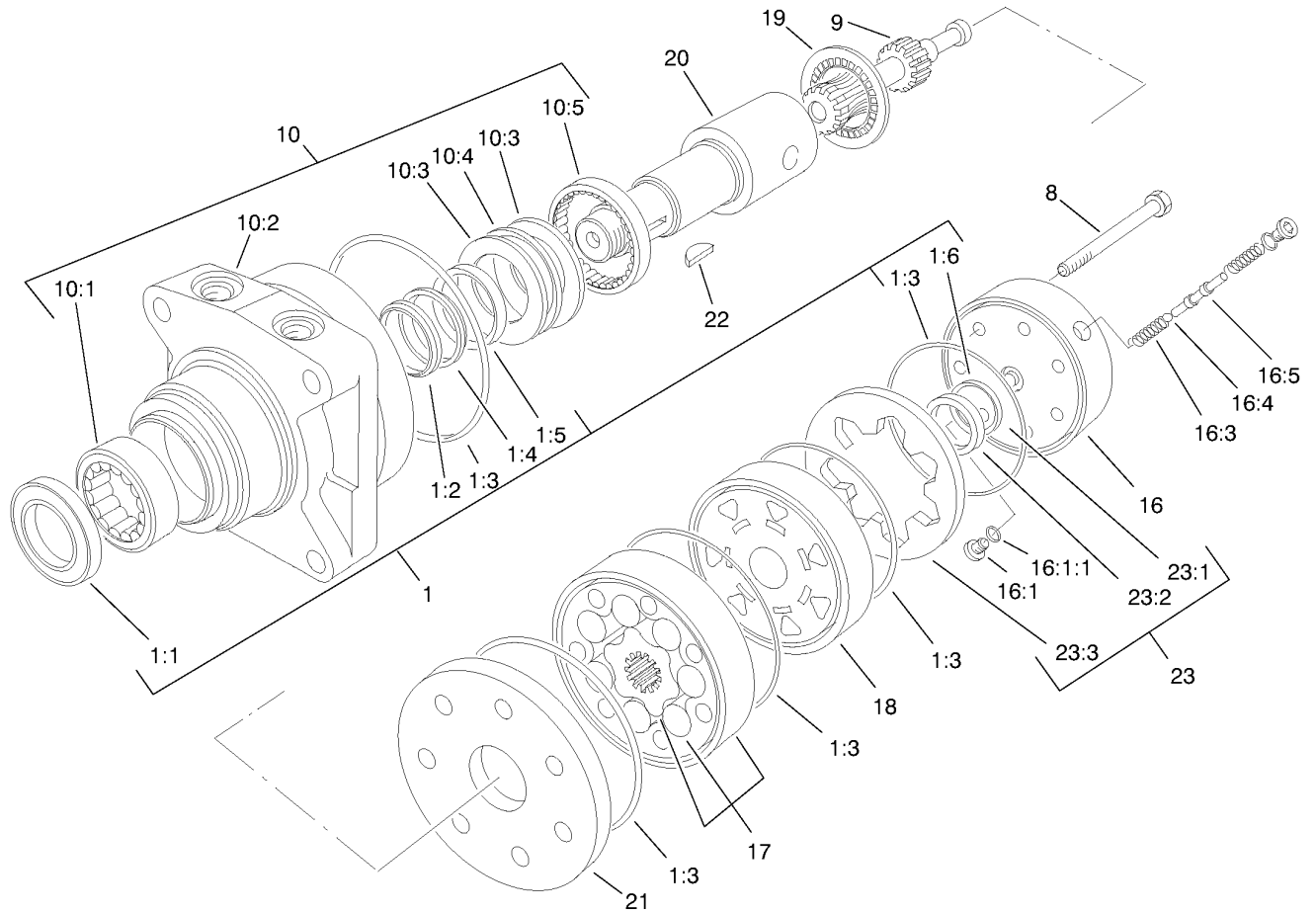
Ref	Part No.	Qty.	Description				
1		1	Barrel ASM				
2	32152-10	1	Locknut				
3		1	Piston				
4		1	Head				
5	43-5220	1	Ring-Retaining				
6		1	Shaft W/clevis				
7	86-5360	1	Seal Repair Kit				
7:1		1	Uniring-Grooved				
7:2		1	O-Ring				
7:3		1	O-Ring				
7:4		1	O-Ring				
7:5		1	Back-Up				
7:6		1	Seal-Dust				



Hydraulic Drive Motor Assembly No. 75-9831

Ref	Part No.	Qty.	Description
1	94-8178	1	Seal Kit
1:1		1	Seal-Dirt And Water
1:2		1	Washer-Backup
1:3		5	Seal-Ring
1:4		1	Washer-Backup
1:5		1	Seal-Inner
1:6		1	Seal-Commutator
9	76-1020	7	Screw-Cap, HH
10	76-0810	1	Housing ASM
10:1		1	Bearing
10:2		1	Housing
10:3		2	Washer-Thrust
10:4		1	Bearing-Thrust
10:5		1	Bearing
16	76-0820	1	Line-Drive
18	76-0840	1	Manifold
19	76-0850	1	Bearing-Thrust
20	76-0860	1	Shaft-Coupling
21	76-0870	1	Plate-Wear
22	3257-42	1	Key-Woodruff
23	76-0880	1	Commutator ASM
23:1		1	Seal-Commutator
23:2		1	Commutator
23:3		1	Ring-Commutator

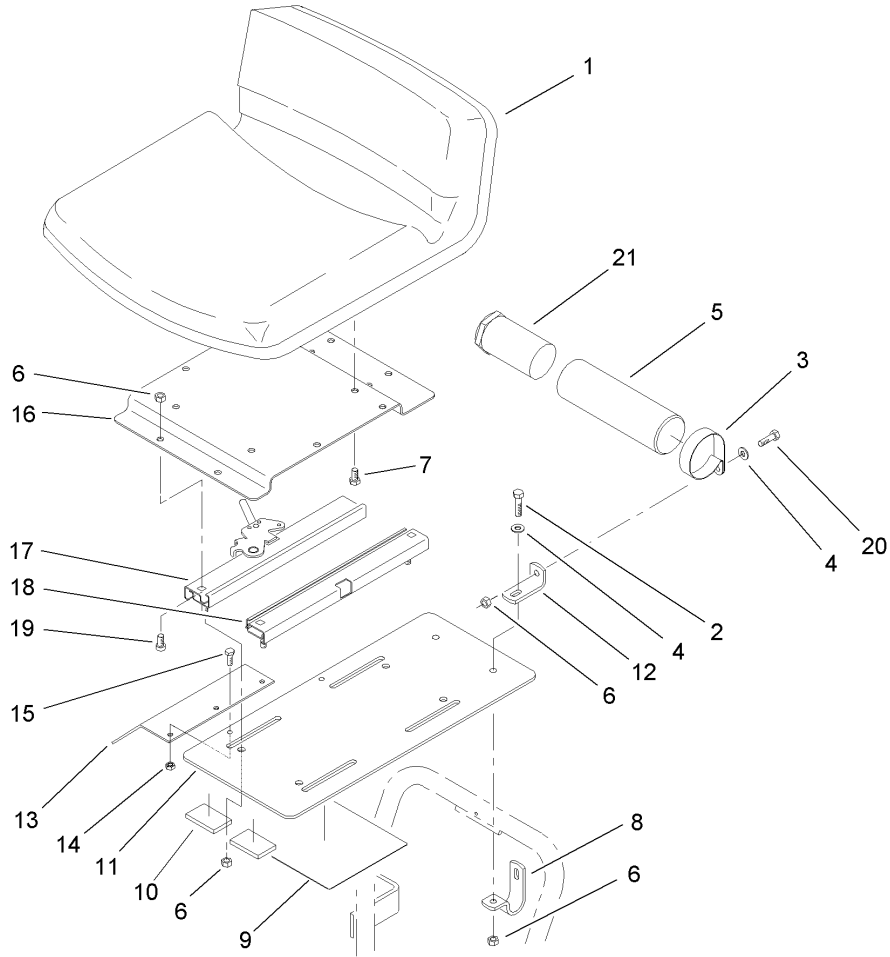
Ref	Part No.	Qty.	Description
26	76-0940	1	End Cover ASM
28	76-0830	1	Rotor Set



Hydraulic Motor Assembly No. 75-9840

Ref	Part No.	Qty.	Description
1	94-8178	1	Seal Kit
●1:1		1	Seal-Dirt And Water
●1:2		1	Washer-Backup
●1:3		5	Seal-Ring
●1:4		1	Washer-Backup
●1:5		1	Seal-Inner
●1:6		1	Seal-Commutator
8	76-1040	7	Screw-Cap, HH
9	76-0820	1	Line-Drive
10	76-0810	1	Housing ASM
●10:1		1	Bearing
●10:2		1	Housing
●10:3		2	Washer-Thrust
●10:4		1	Bearing-Thrust
●10:5		1	Bearing
16	76-0890	1	End Cover ASM
16:1	353-990	2	Plug
16:1:1	237-78	1	O-Ring
●16:3		2	Spring
●16:4		1	Ball
●16:5		1	Valve-Shuttle
17	76-0830	1	Rotor Set
18	76-0840	1	Manifold
19	76-0850	1	Bearing-Thrust

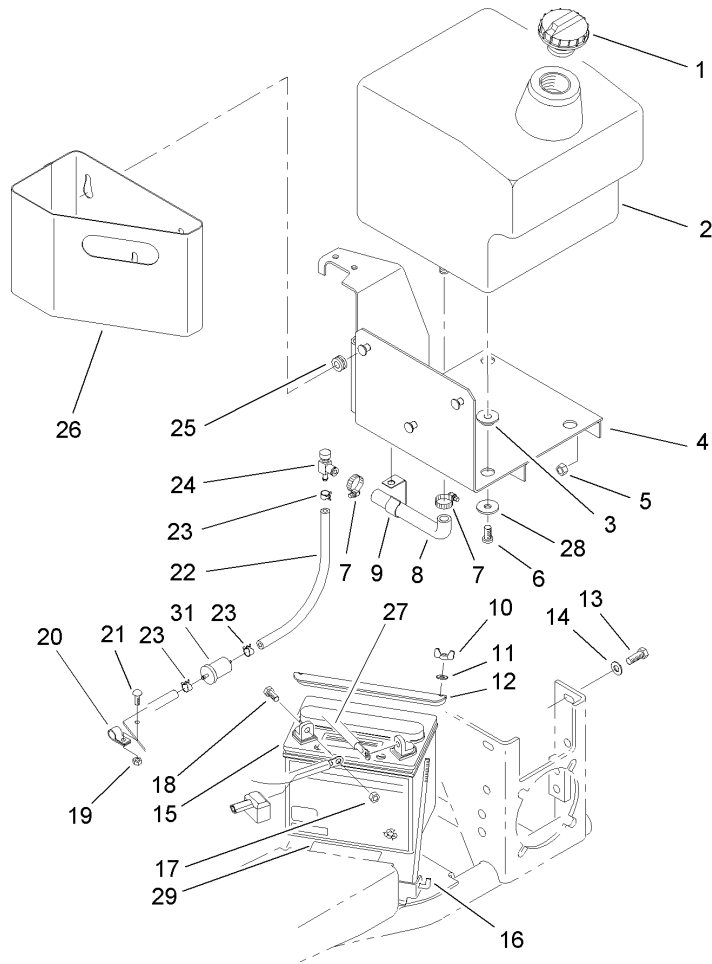
Ref	Part No.	Qty.	Description
20	76-0860	1	Shaft-Coupling
21	76-0870	1	Plate-Wear
22	3257-42	1	Key-Woodruff
23	76-0880	1	Commutator ASM
●23:1		1	Seal-Commutator
●23:2		1	Commutator
●23:3		1	Ring-Commutator



Seat Assembly

Ref	Part No.	Qty.	Description
1	92-8976	1	Seat
2	322-6	2	Screw-HH
3	2412-133	2	R-Clamp
4	3256-3	4	Washer-Flat
5	104-7050	1	Housing-Manual
6	3296-29	12	Nut-Lock, NI
7	3234-14	4	Screw-HHF
8	92-8972	2	Clamp-Seat
9	95-0646	1	Decal-Service
9	93-7251	1	Decal-Blank
10	74-0340	2	Cushion-Rubber
11	95-0637-03	1	Plate-Seat
12	92-8973	2	Angle
13	95-5840-03	1	Shield-Base, Seat
14	3296-42	2	Nut-Lock, NI
15	321-4	2	Screw-HH
16	86-7610-03	1	Mount-Seat
17	51-0790	1	Adjuster-Seat, LH
18	51-0780	1	Slider-Seat
19	3274-12	4	Screw-HSH
20	322-5	2	Screw-HH
21	104-7048	1	Cap-Housing

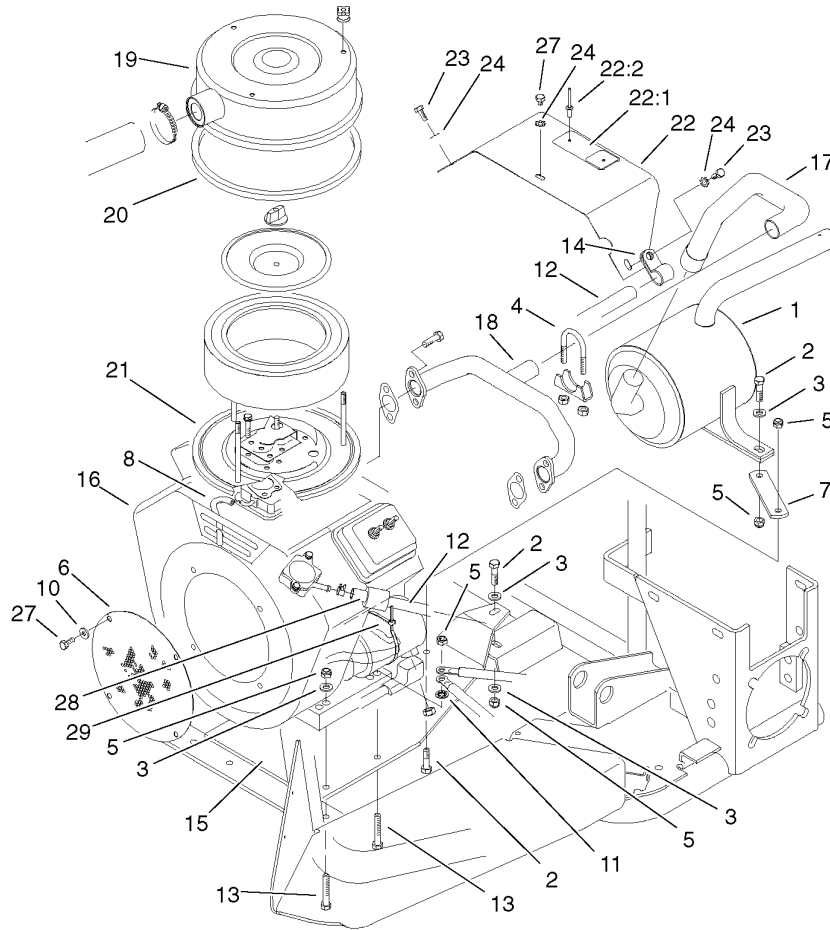
--	--	--	--



Fuel Tank Assembly

Ref	Part No.	Qty.	Description
1	93-7170	1	Cap-Fuel
2	92-7186	1	Tank-Fuel
3	240-11	4	Grommet-Mount, Tank
4	95-0576-03	1	Base-Tank, Fuel
5	3296-39	3	Nut-Lock, NI
6	3250-36	4	Screw-PPH
7	2412-36	2	Clamp-Hose
8	92-7152	1	Hose-Fuel
9	92-7160	1	Clip
10	32103-12	2	Nut-Wing
11	3256-22	2	Washer-Flat
12	92-5018-03	1	Clamp-Battery
13	323-6	3	Screw-HH
14	3256-24	3	Washer-Flat
15	104-8162	1	Battery
16	56-7720	2	Post-Battery
17	3296-29	2	Nut-Lock, NI
18	322-3	2	Screw-HH
19	3296-42	1	Nut-Lock, NI
20	2412-73	1	Clamp-R
21	3274-69	1	Screw-HSBH
22	95-0618	1	Hose-Fuel
23	2412-98	4	Clamp
24	83-1390	1	Fitting-Shut-Off, Fuel
25	240-9	3	Grommet

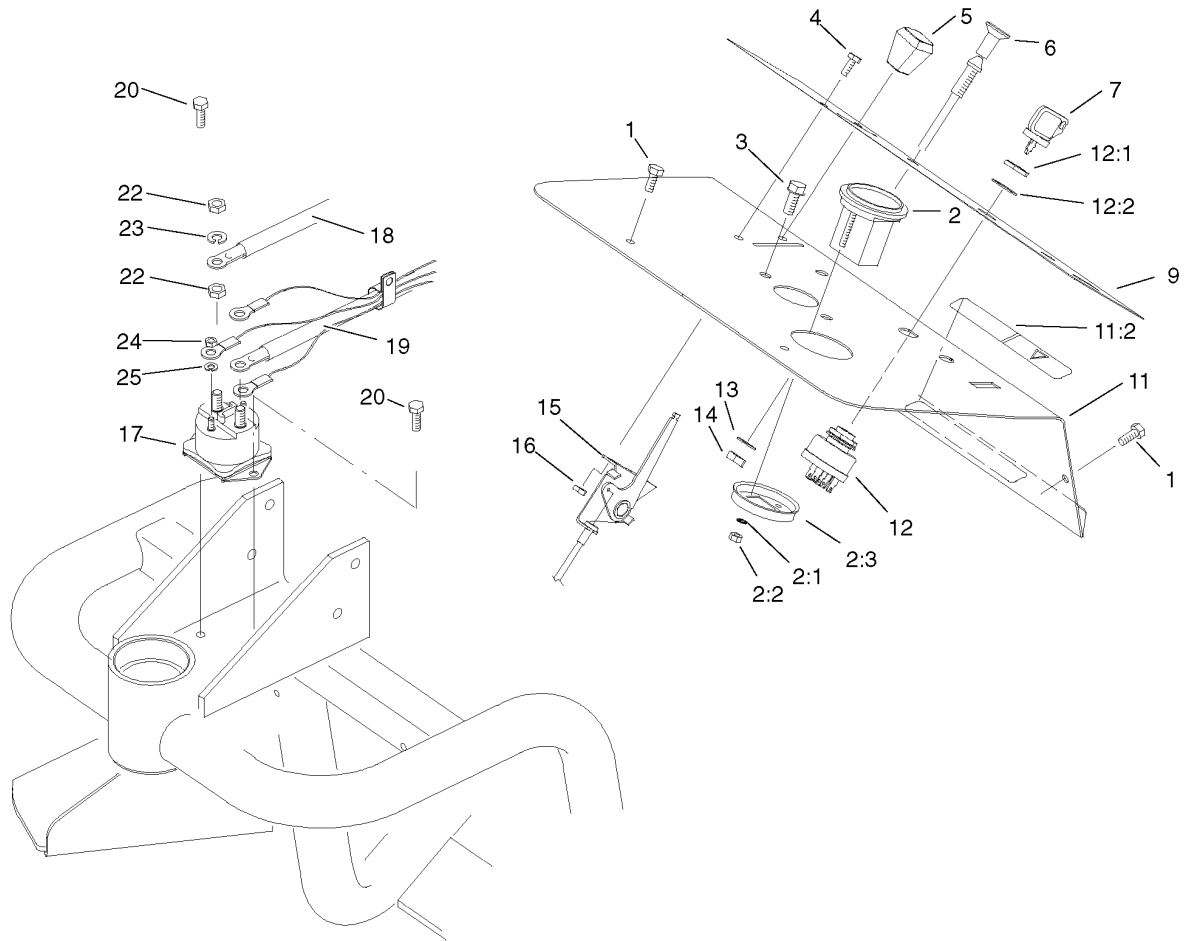
Ref	Part No.	Qty.	Description
26	86-7640-01	1	Box-Litter
27	86-7450	1	Cable-Ground
28	63-8410	4	Washer
29	93-6668	1	Decal-Battery
31	94-2690	1	Filter-Fuel



Engine Installation Assembly

Ref	Part No.	Qty.	Description
1	95-0552	1	Muffler
2	322-5	3	Screw-HH
3	3256-23	6	Washer-Flat
4	95-0586	2	Clamp ASM
5	3296-29	7	Nut-Lock, NI
6	92-8996-03	1	Screen
7	95-0557	1	Bracket-Muffler
8	75-4705	1	Hose-Fuel
10	3256-1	4	Washer-Flat
11	3255-8	1	Washer-Lock
12	94-4522	1	Hose-Fuel
13	322-10	4	Screw-HH
14	2412-73	1	Clamp-R
15	95-0556-03	1	Base-Engine
16	98-0940	1	Engine-B & S 303447-1180-E1
17	95-0551	1	Tube-Exhaust
18	95-0550	1	Manifold-Exhaust
19	85-8370-03	1	Cover-Cleaner, Air
20	85-8360	1	Gasket-Ring
21	85-8430-03	1	Base-Cleaner, Air
22	105-8523	1	Muffler Shield ASM
22:1	95-0645	1	Plate-Surface, Hot
22:2	3269-32	2	Rivet-Pop
23	33113-012	2	Screw-HH
24	3255-7	3	Washer-Lock/ext

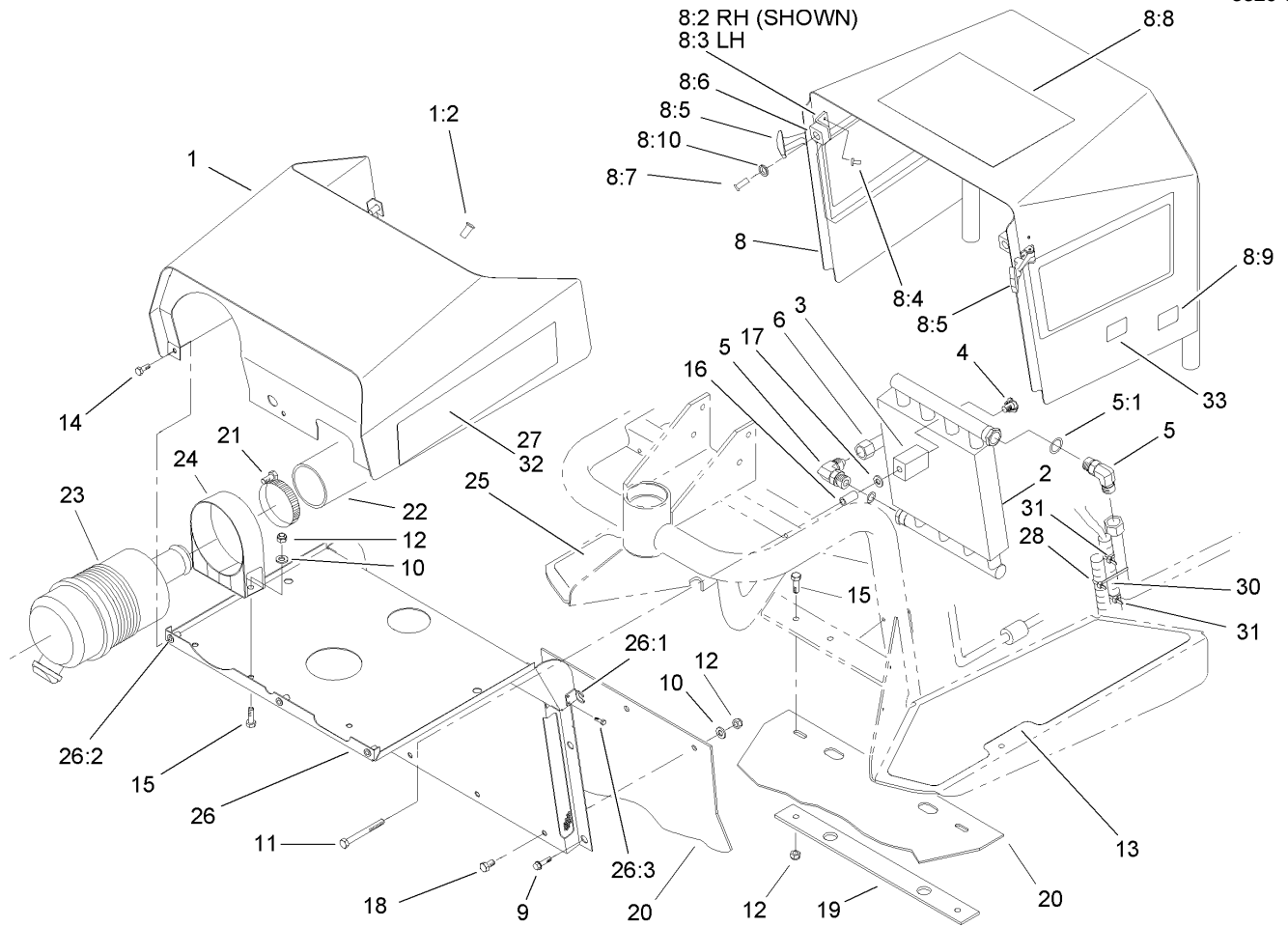
Ref	Part No.	Qty.	Description
27	33113-008	5	Screw-HH
28	38-3400	1	Guard-Rubber
29	3290-379	1	Tie-Cable



Dash Panel Assembly

Ref	Part No.	Qty.	Description
1	3234-33	4	Screw-HHF
2	66-2950	1	Gauge-Hourmeter
2:1	3255-20	2	Washer-Lock
2:2	3217-25	2	Nut-Hex
2:3		1	Clamp-Gauge
3	32144-11	2	Screw-TAP
4	32105-2	2	Screw-SHWH
5	66-0120	1	Knob
6	95-0597	1	Control-Choke
7	63-8360	2	Key-Ignition
9	95-0648	1	Decal
11	105-8524	1	Dash Panel ASM
11:2	93-9052	1	Decal-Danger
12	83-0020	1	Switch-Starter
12:1	218-461	1	Nut-HH
12:2	3254-5	1	Washer-Tooth
13	3254-6	1	Washer-Lock, Internal
14	3219-3	1	Nut-HH
15	95-0598	1	Control-Throttle
16	3296-12	2	Nut-Lock
17	28-4210	1	Solenoid
18	95-5825	1	Wire ASM
18:1	83-2430	1	Boot-Terminal
19	95-0599	1	Wire ASM
19:1	28-8080	1	Boot-Terminal

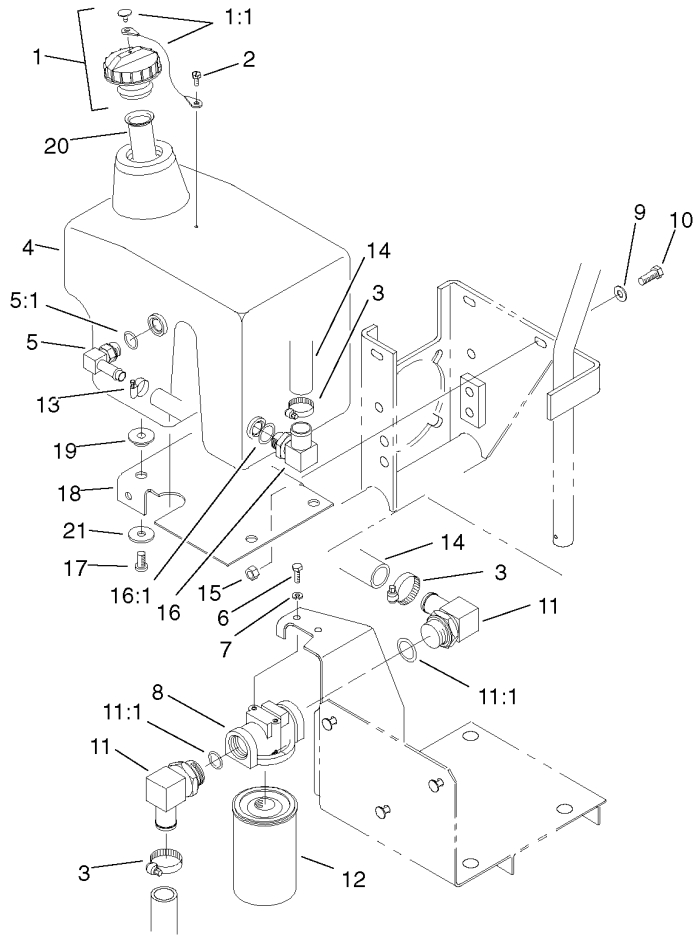
Ref	Part No.	Qty.	Description
20	32104-95	2	Screw-HWH
22	3218-13	2	Nut-Jam
23	3253-4	2	Washer-Lock
24	3219-14	2	Nut-Hex
25	3253-17	2	Washer-Lock/sp



Shroud and Oil Cooler Assembly

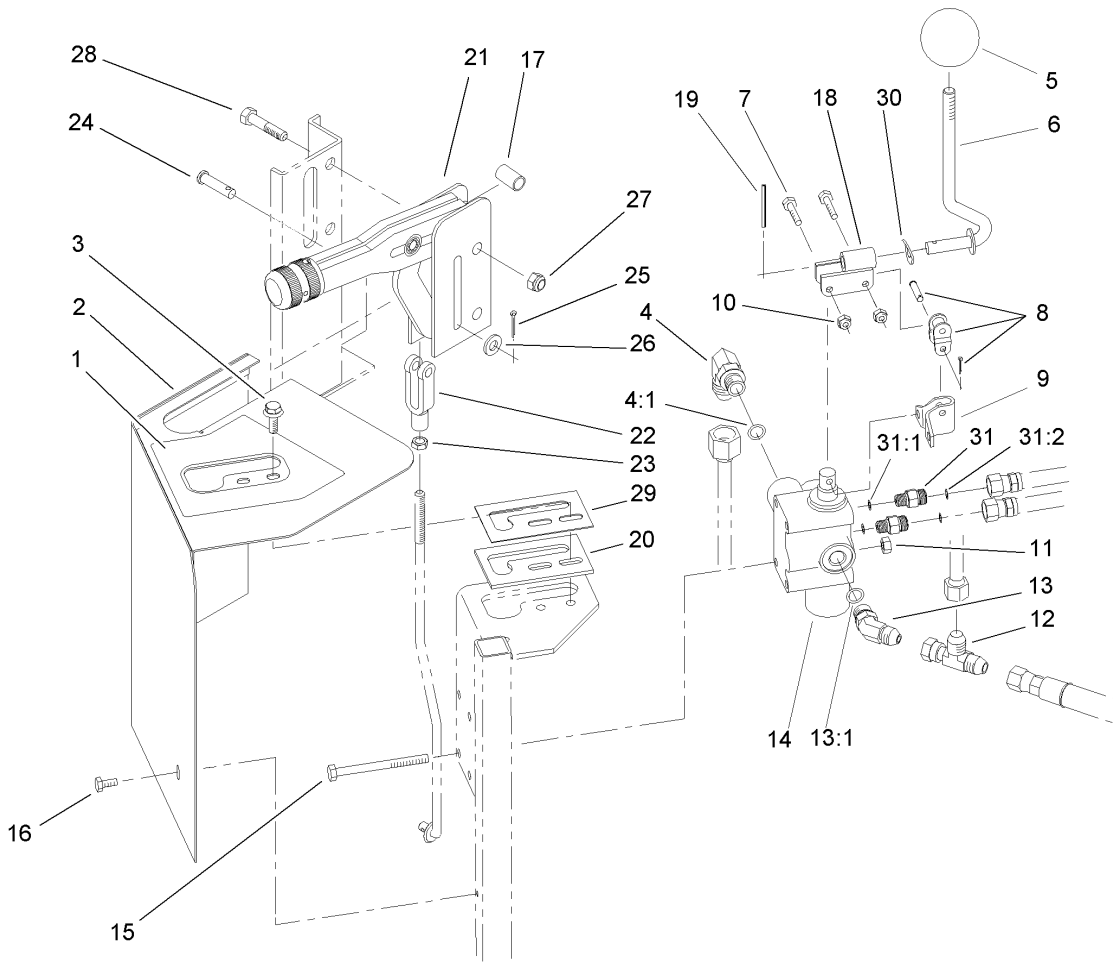
Ref	Part No.	Qty.	Description
1	99-1644	1	Dash Shroud ASM
1:2	32148-6	4	Insert-Nut
2	92-8997	1	Cooler-Oil
3	85-9550	2	Clamp-Rubber
4	85-9670	2	Nut
5	353-371	2	Elbow-90 DEG
5:1	237-79	1	O-Ring
6	95-0643	1	Tube-Valve To Cooler
8	95-0610	1	Engine Cover ASM
8:2	95-0611	1	Bracket-RH
8:3	95-0612	1	Bracket-LH
8:4	3269-8	6	Rivet
8:5	117344	2	Handle ASM
8:6	94-1392	2	Pad-Rubber
8:7	3269-28	2	Rivet-Pop
8:8	92-8985	1	Decal-Operating
8:9	93-7252	1	Decal
8:10	3256-14	2	Washer-Flat
9	46-8560	6	Screw-Hhfff
10	3256-23	4	Washer-Flat
11	322-14	2	Screw-HH
12	3296-29	6	Nut-Lock, NI
13	92-7159	1	Tread-Floor, LH
14	3234-33	3	Screw-HHF
15	322-5	4	Screw-HH

Ref	Part No.	Qty.	Description
16	95-5807	2	Spacer
17	3256-82	2	Washer-Flat
18	322-2	2	Screw-HH
19	95-0620-01	1	Strip-Retainer
20	95-5826	1	Shield-Rubber
21	2412-92	2	Clamp-Hose
22	95-0582	1	Hose-Intake, Air
23	95-5805	1	Air Cleaner ASM
24	95-5806	1	Bracket-Mounting
25	92-7158	1	Tread-Floor, RH
26	95-5817	1	Front Shield ASM
26:1	249-40	2	Keeper
26:2	32148-6	3	Insert-Nut
26:3	3269-8	4	Rivet
27	106-8103	2	Decal
28	3290-379	2	Tie-Cable
30	94-4519	1	Tube-Convolute
31	3290-378	2	Tie-Cable
32	106-8104	2	Decal
33	105-7872	1	Decal



Hydraulic Oil Reservoir and Filter Assembly

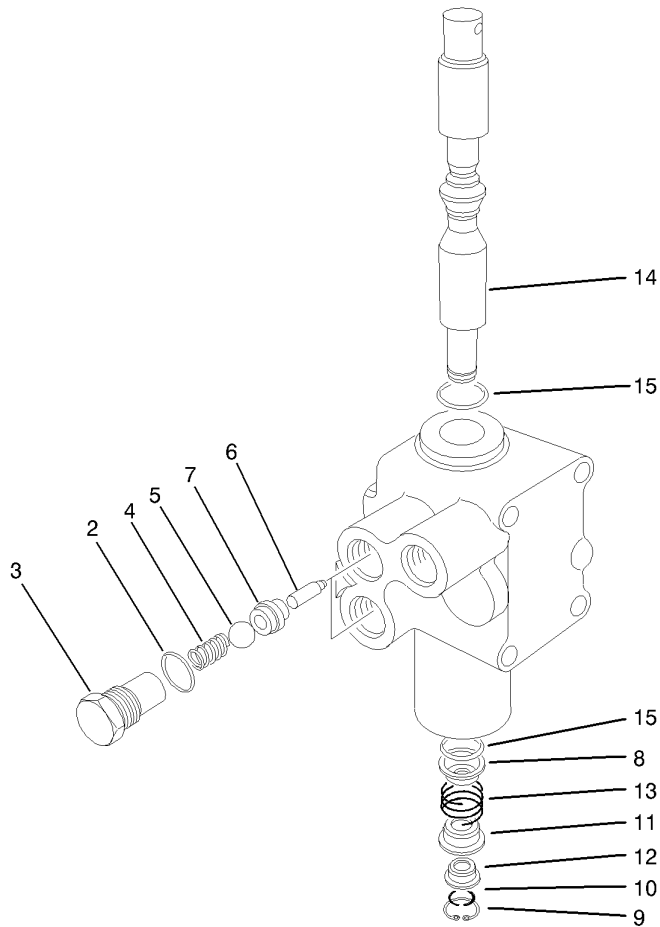
Ref	Part No.	Qty.	Description				
1	93-4365	1	Cap-Oil				
1:1	75-0540	1	Tether And Button Kit				
2	57-5420	1	Screw-Shoulder				
3	2412-129	4	Clamp-Hose				
4	98-0968	1	Tank-HYD				
5	354-120	1	Fitting-Hyd, 90 DEG				
5:1	237-79	1	O-Ring				
6	321-3	2	Screw-HH				
7	3253-3	2	Washer-Lock				
8	68-8990	1	Filter Head ASM				
9	3256-24	3	Washer-Flat				
10	323-6	3	Screw-HH				
11	353-987	2	Fitting-Hyd, 90 DEG				
11:1	237-81	1	O-Ring				
12	23-9740	1	Filter-Oil				
13	2412-36	1	Clamp-Hose				
14	98-8152	1	Hose-Suction				
15	3296-39	3	Nut-Lock, NI				
16	95-0629	1	Fitting-Hose, Push On				
16:1	237-80	1	O-Ring				
17	3250-36	3	Screw-PPH				
18	95-0590-03	1	Base-Tank, HYD				
19	240-11	4	Grommet-Mount, Tank				
20	92-1705	1	Filter-Screen				
21	63-8410	3	Washer				



Lift Valve Installation Assembly

Ref	Part No.	Qty.	Description
1	95-0647	1	Decal-Controls
2	95-0601-01	1	Vavle Shroud ASM
3	3234-33	2	Screw-HHF
4	353-511	1	Elbow-90 DEG
4:1	237-42	1	O-Ring
5	233-21	1	Knob
6	92-8981	1	Lift Lever ASM
7	3290-360	2	Screw-HH
8	2710-20	1	Link-Offset
9	88-8480	1	Bracket-Pivot
10	3296-2	2	Nut-Lock
11	3296-42	4	Nut-Lock, NI
12	353-877	1	Swivel-Tee-Run
13	353-212	1	Elbow
13:1	237-42	1	O-Ring
14	43-1710-01	1	Valve ASM
15	321-23	4	Screw-HH
16	32104-76	1	Screw
17	85-0290	2	Spacer-Pivot, Seat
18	92-8983	1	Pivot
19	32121-73	1	Pin-Roll
20	21-8640	1	Latch-Lever, Valve
21	95-0636	1	Lever-Brake
22	282-2	1	Yoke
23	3220-2	1	Nut

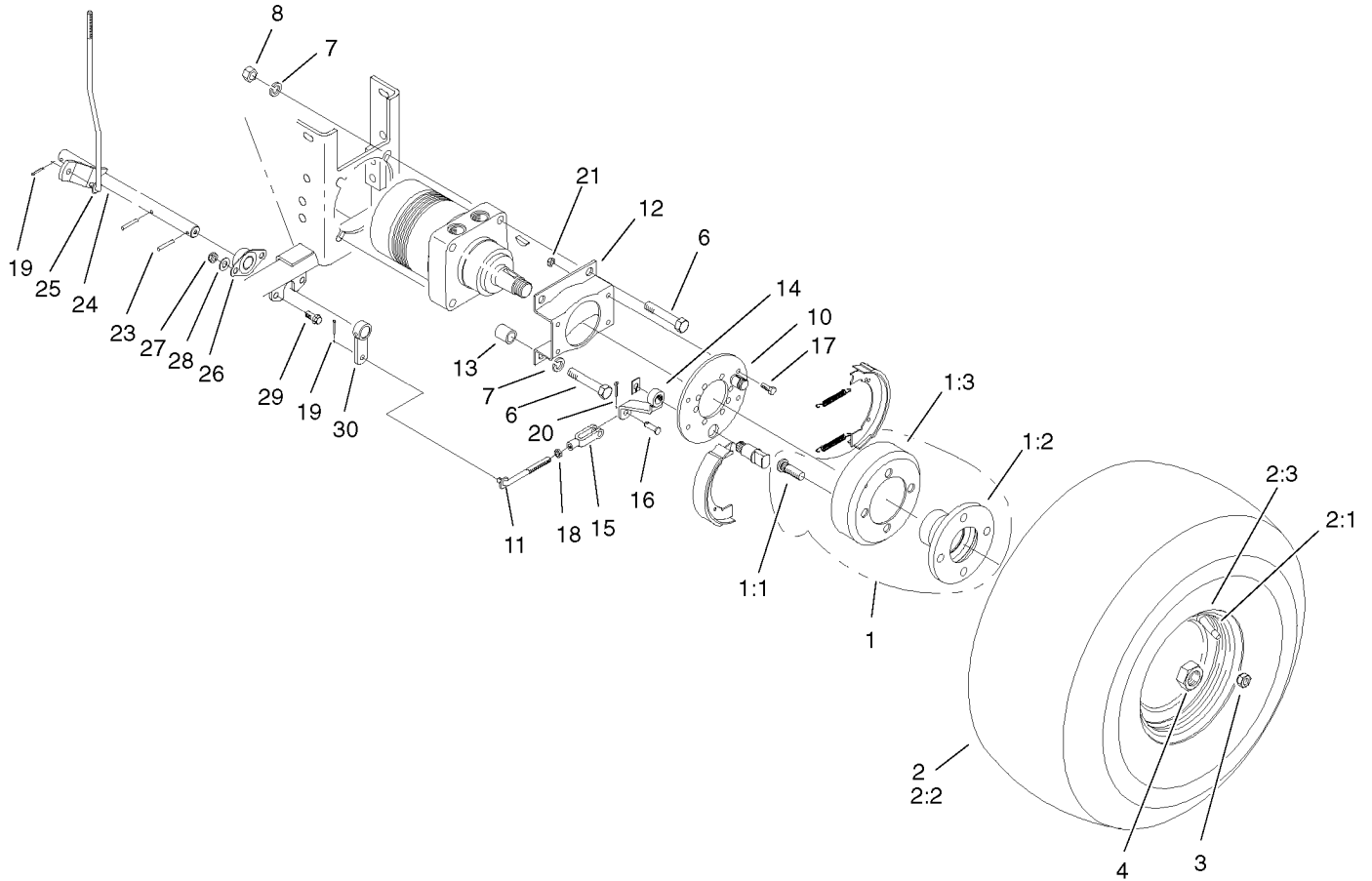
Ref	Part No.	Qty.	Description
24	283-14	1	Pin-Clevis
25	3272-6	1	Pin-Cotter
26	3256-23	1	Washer-Flat
27	3296-29	2	Nut-Lock, NI
28	322-8	2	Screw-HH
29	95-5833	1	Guide-Lever
30	3290-477	1	Washer-Curved
31	340-92	2	Fitting-Hyd, Straight
31:1	237-78	1	O-Ring
31:2	237-21	1	O-Ring



Valve Assembly No. 43-1710-01

Ref	Part No.	Qty.	Description
2	237-42	2	O-Ring
3	22-8330	2	Plug
4	22-8340	2	Spring
5	22-8350	2	Ball
6	22-8360	2	Pin
7	22-8370	2	Seat-Valve
8	22-8380	1	Retainer
9	22-8490	1	Ring-Snap
10	22-8480	1	Ring-Snap
11	22-8390	1	Retainer
12	22-8400	1	Spacer
13	22-8410	1	Spring
14	22-8420	1	Spool
15	22-8500	2	O-Ring

--	--	--	--

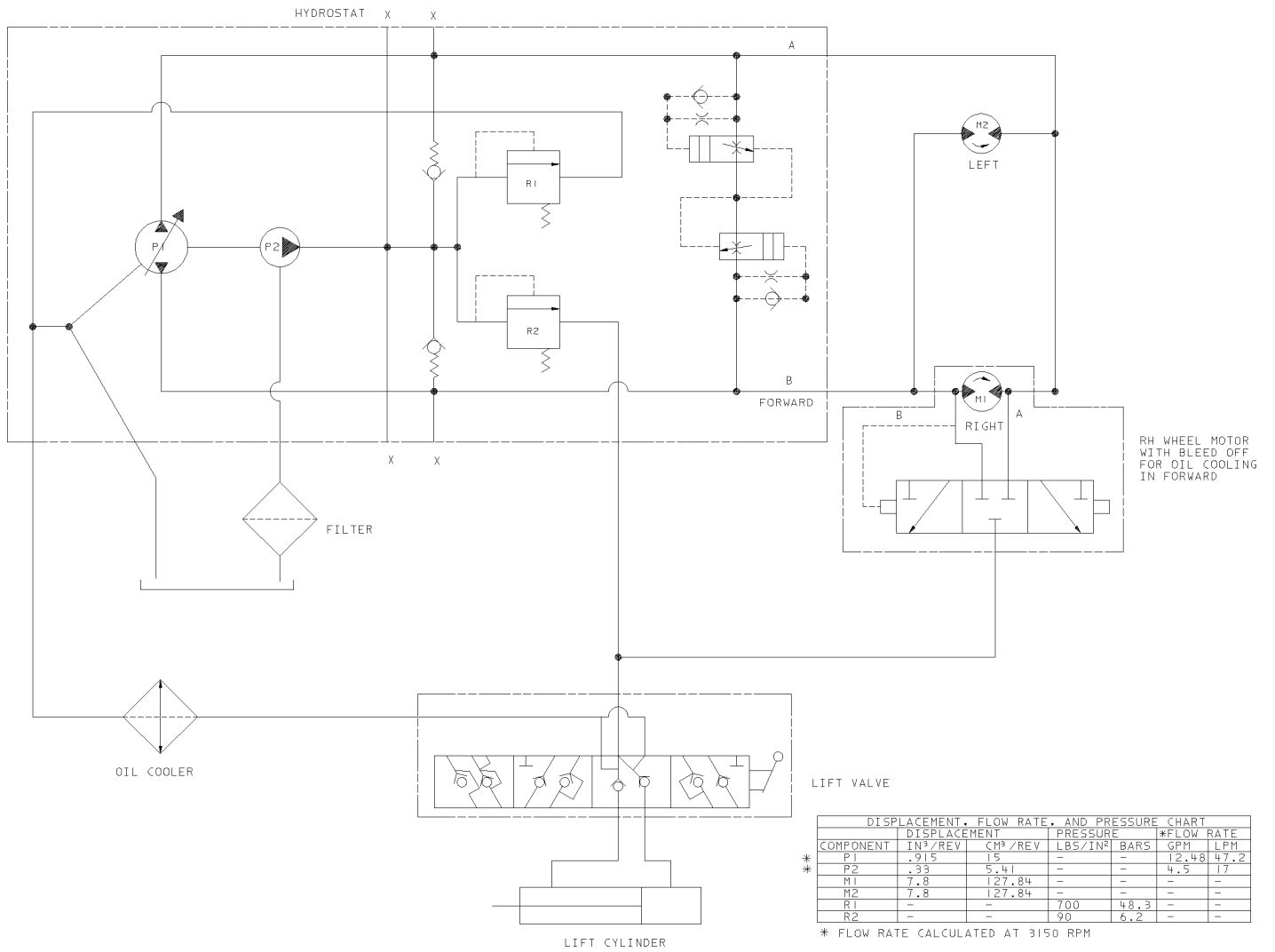


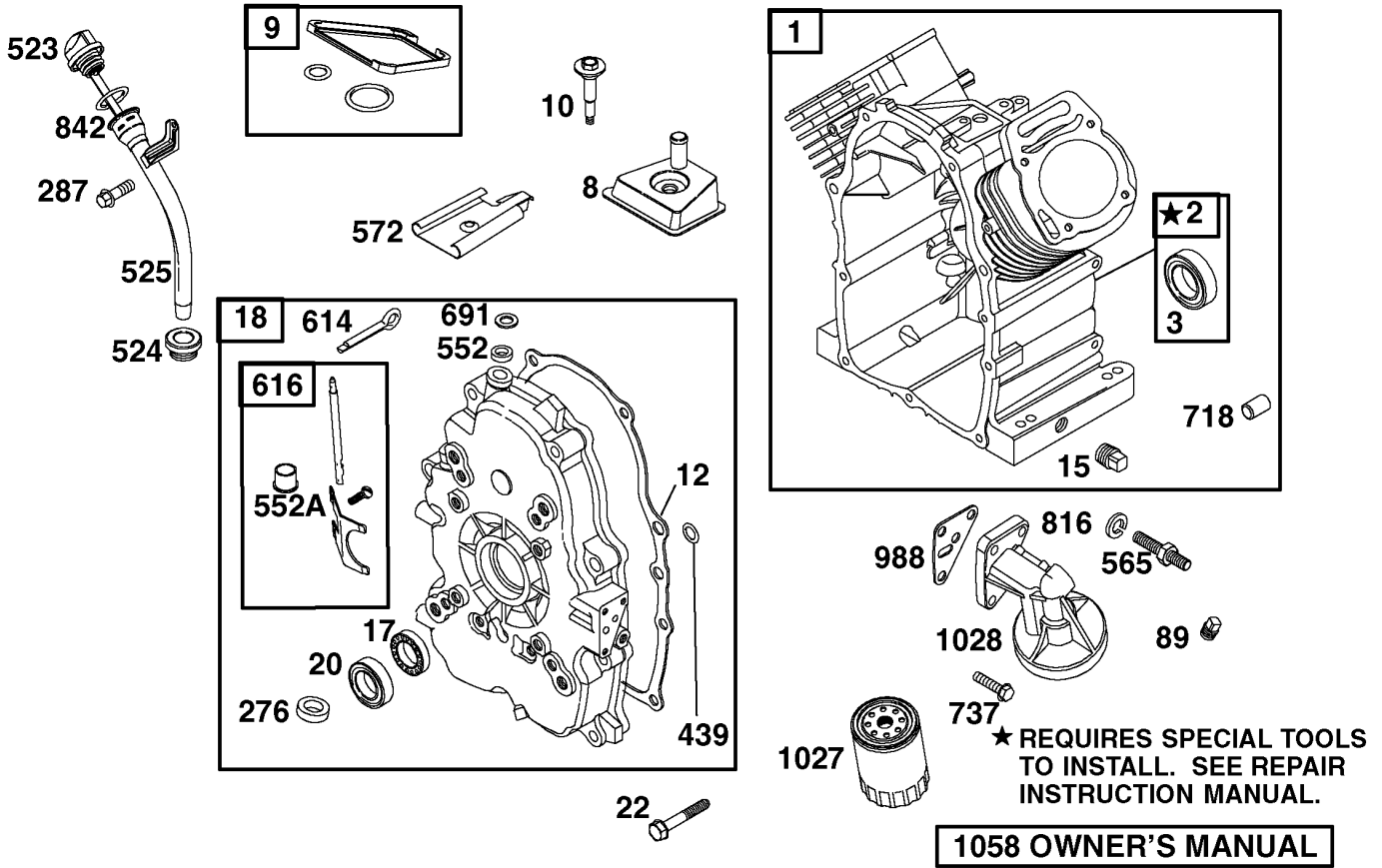
Brake Installation Assembly

Ref	Part No.	Qty.	Description
1	17-8149	2	Wheel Hub ASM
1:1	85-6540	4	Stud-Drive
1:2	93-6838-03	1	Hub-Wheel
1:3	10-6850	1	Drum-Brake
2		2	Wheel And Tire ASM
2:1	232-35	1	Valve Stem And Cap ASM
2:2	85-8290	1	Tire
2:3	94-6116	1	Wheel-Rear
3	242-50	8	Nut-Lug
4	26-3790	2	Nut-Lock
6	325-14	8	Screw-HH
7	3253-7	8	Washer-Lock
8	3217-9	4	Nut-Hex
10	104-7705	2	Brake ASM
11	84-1990	2	Rod-Adjusting
12	84-2000-03	2	Bracket-Brake
13	92-1715	8	Spacer
14	93-6850	2	Lever-Brake
15	282-2	2	Yoke
16	283-1	2	Pin-Clevis
17	321-4	8	Screw-HH
18	3220-2	2	Nut
19	3272-6	3	Pin-Cotter
20	3272-10	2	Pin-Cotter
21	3296-42	8	Nut-Lock, NI

Ref	Part No.	Qty.	Description
23	32121-6	3	Pin-Roll
24	95-0625	1	Rod-Traverse
25	95-0628	1	Rod-Brake
26	27-2320	2	Bearing
27	3296-59	4	Nut-Lock, NI
28	3256-24	4	Washer-Flat
29	3234-1	4	Screw-HHF
30	83-9310	2	RH Brake Lever ASM

Hydraulic Schematic



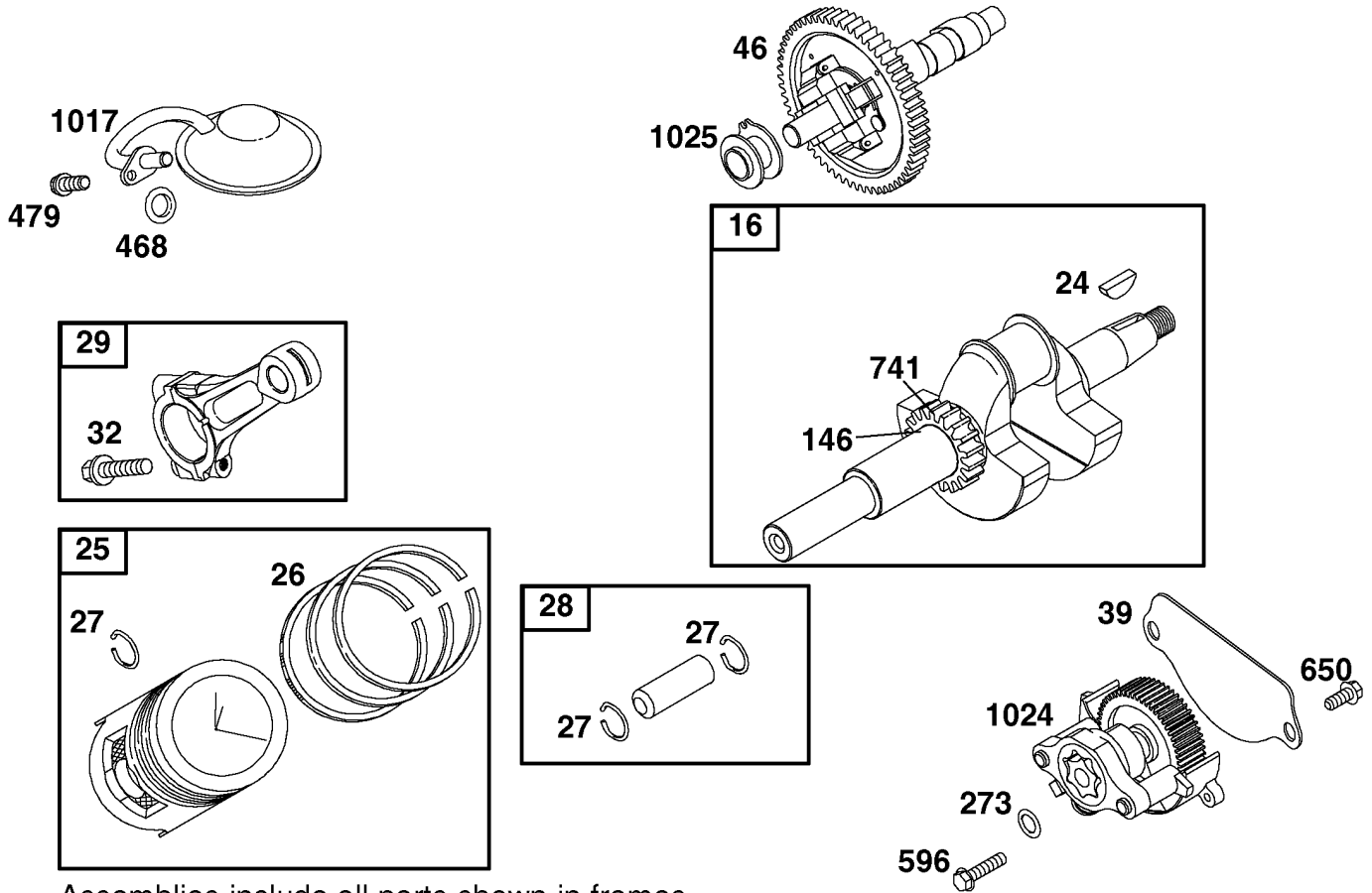


Assemblies include all parts shown in frames.

Cylinder Assembly Briggs and Stratton 303447-1180-E1

Ref	Part No.	Qty.	Description
1	692178	1	Cylinder Assembly
2	808534	1	Bushing
3	805101	1	Seal-Oil
8	807795	1	Breather Assembly
9	807688	1	Gasket-Breather
10	805751	1	Screw
12	806190	1	Gasket-Crankcase
15	805048	1	Plug-Oil Drain
17	690752	1	Bearing-Ball
18	808847	1	Cover-Crankcase
20	805049	1	Seal-Oil
22	692540	1	Screw
89	690283	1	Plug-Oil
276	690704	1	Washer-Sealing
287	805247	1	Screw
439	692154	1	O-Ring (crankcase Cover)
523	807977	1	Dipstick
524	281370	1	Grommet
525	807584	1	Tube-Oil Fill
552	690701	1	Bushing-Governor Crank
552A	806686	1	Bushing-Governor Crank
565	690706	1	Washer
572	805197	1	Baffle-Oil
614	691550	1	Pin-Cotter
616	806685	1	Fork-Governor

Ref	Part No.	Qty.	Description
691	690680	1	Seal-Governor Shaft
718	690684	1	Pin-Locating
737	690679	1	Bolt (oil Pump)
816	690706	1	Washer
842	805386	1	O-Ring
988	805250	1	Gasket-Adapter
1027	492932	1	Filter-Oil
1028	808325	1	Adapter-Oil Filter
1058	274272	1	Manual-Owner's

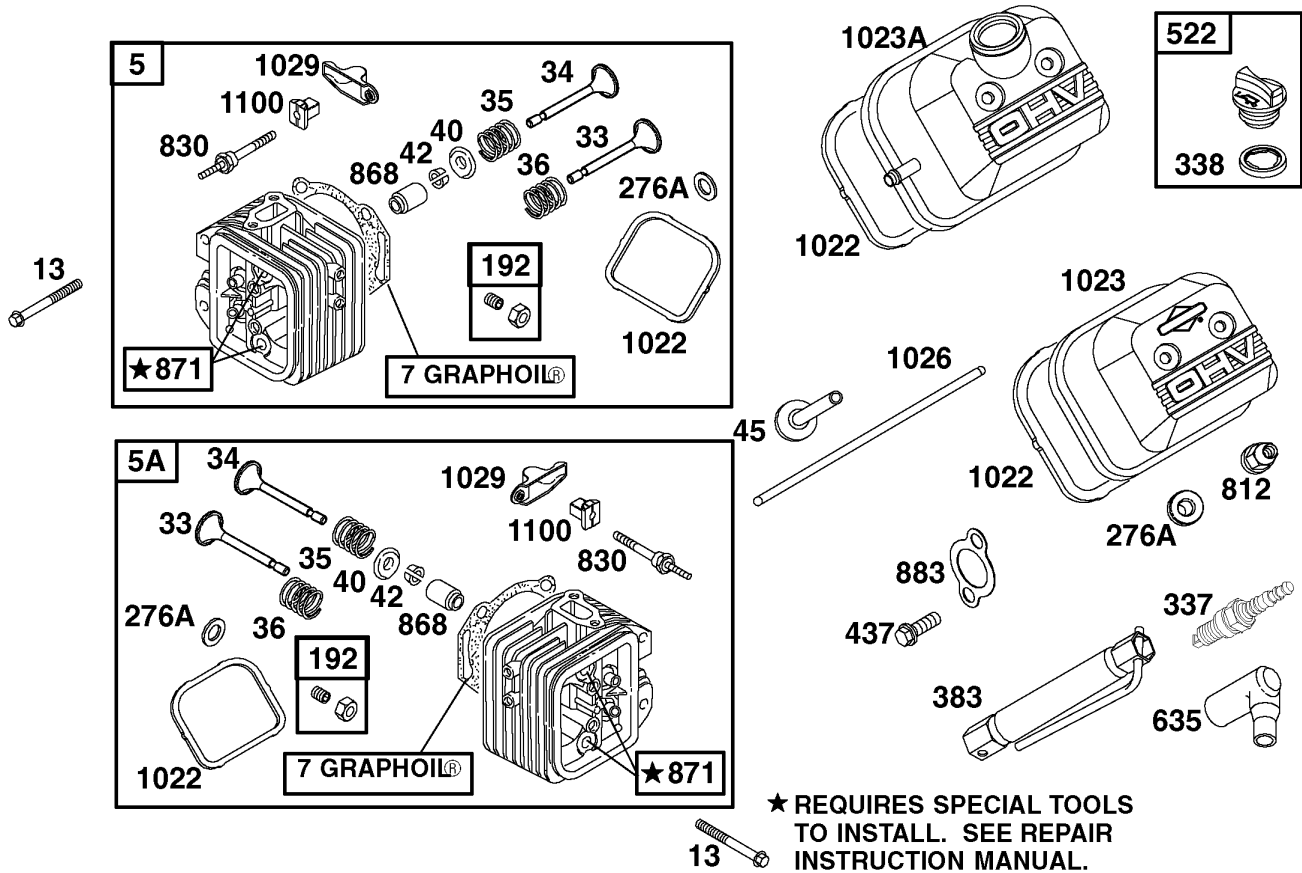


Assemblies include all parts shown in frames.

Crankshaft Assembly Briggs and Stratton 303447-1180-E1

Ref	Part No.	Qty.	Description
16	692168	1	Crankshaft
24	806066	1	Key-Flywheel
25	807619	1	Piston Assembly (standard)
	807807	1	Piston Assembly .010 O.s.
	807809	1	Piston Assembly .020 O.s.
	807811	1	Piston Assembly .030 O.s.
26	807620	1	Ring Set (standard)
	807808	1	Ring Set (.010" O.s.)
	807810	1	Ring Set (.020" O.s.)
	807812	1	Ring Set (.030" O.s.)
27	690683	1	Lock-Piston Pin
28	807621	1	Pin-Piston
29	807900	1	Rod-Connecting
	807809	1	Piston Assembly .020 O.s.
32	690698	1	Screw
39	690745	1	Deflector-Oil
46	691557	1	Camshaft
146	94196	1	Key-Timing
273	690681	1	Seal-O Ring (oil Pump)
468	690690	1	Screw
479	692537	1	Screw
596	691492	1	Screw
650	692539	1	Screw
741	691530	1	Gear-Timing
1017	690900	1	Screen-Oil Pump

Ref	Part No.	Qty.	Description
1024	693185	1	Pump-Oil
1025	690689	1	Spool-Governor



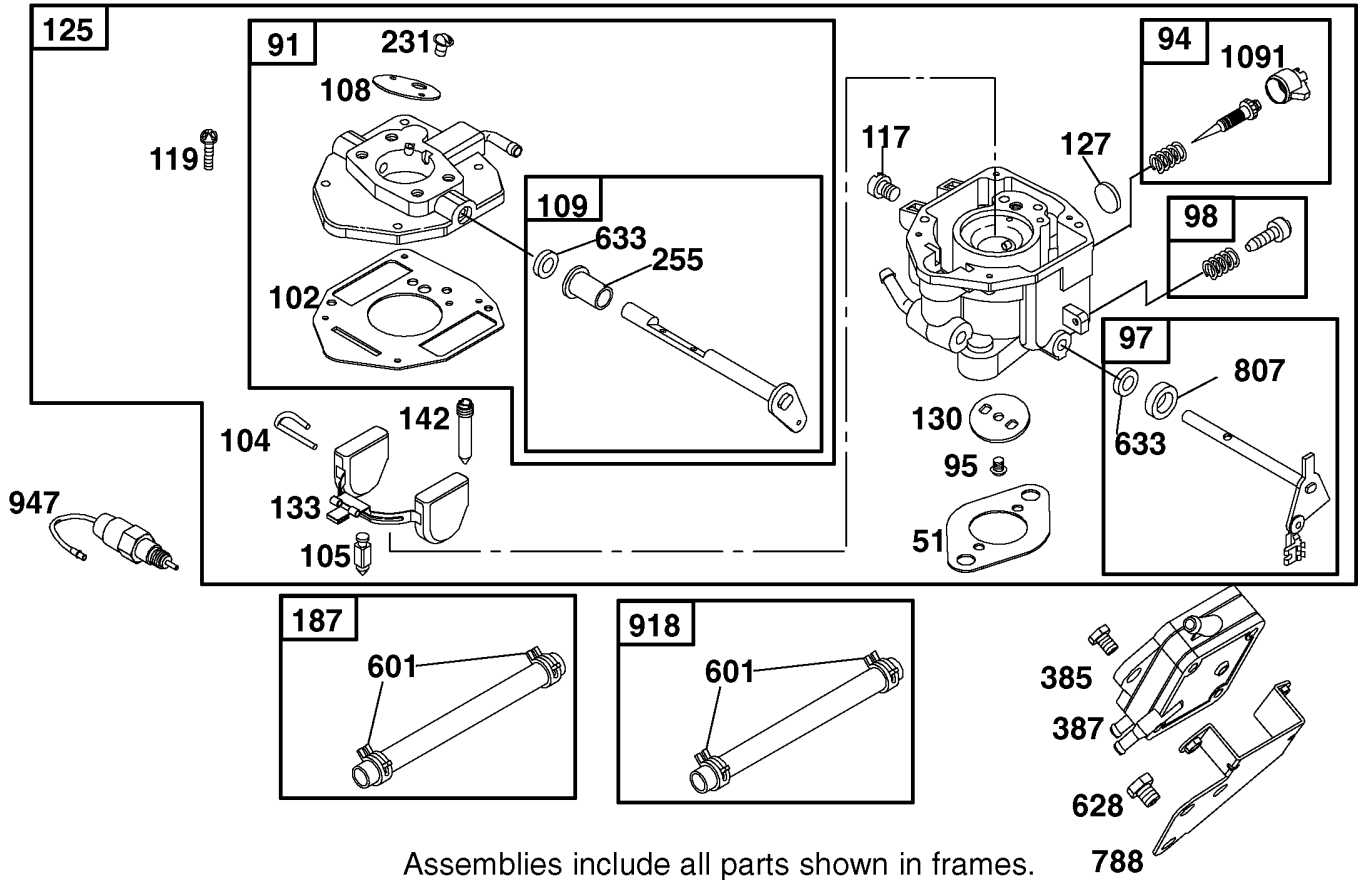
Assemblies include all parts shown in frames.

★ REQUIRES SPECIAL TOOLS TO INSTALL. SEE REPAIR INSTRUCTION MANUAL.

Crankcase Assembly Briggs and Stratton 303447-1180-E1

Ref	Part No.	Qty.	Description
5	808381	1	Head-Cylinder (cylinder No. 1)
5A	808382	1	Head-Cylinder (cylinder No. 2)
③④7	806085	1	Gasket-Cylinder Head
13	805097	1	Screw-HH
33	807681	1	Valve-Exhaust
34	807680	1	Valve-Intake
35	805937	1	Spring-Valve
36	805937	1	Spring-Valve
40	805092	1	Retainer-Valve
42	807683	1	Keeper-Valve
45	262679	1	Tappet-Valve
192	807623	1	Screw
③④276A	805420	1	Washer
337	496018	1	Sparkplug
③④338	691312	1	Gasket-Dipstick
383	19374	1	Wrench-Sparkplug
522	491832	1	Plug-Oil Filler
437	805158	1	Screw
635	805529	1	Boot-Spark Plug
812	805019	1	Nut-Lock
830	691544	1	Stud-Rocker Arm
868	805094	1	Seal-Valve
871	805084	1	Guide-Valve
③④883	805024	1	Gasket-Exhaust
③④1022	806039	1	Gasket-Valve Cover

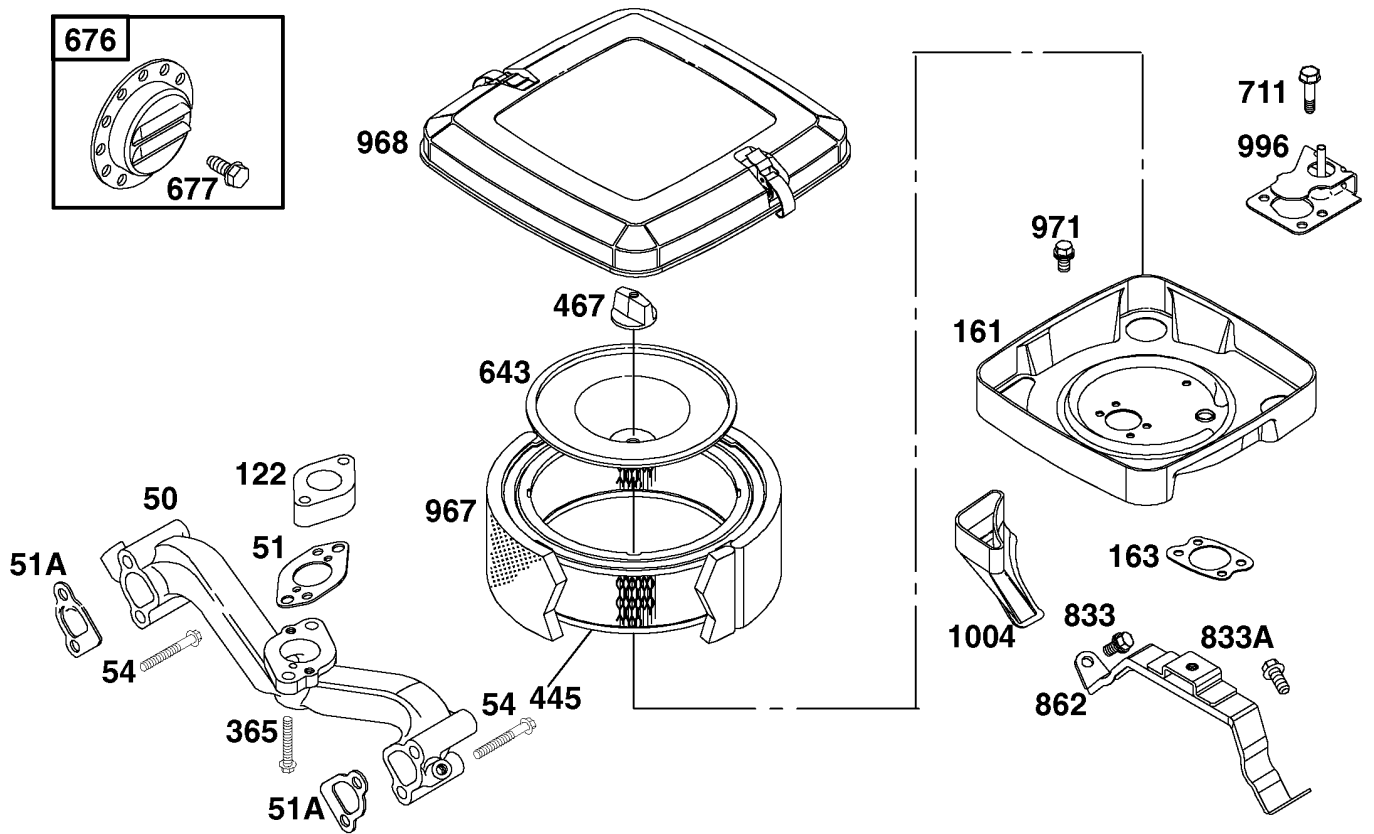
Ref	Part No.	Qty.	Description
1023	691494	1	Cover-Valve
1023A	690910	1	Cover-Valve
1026	805352	1	Rod-Push
	805617	1	Rod-Push (aluminum-Exhaust)
1029	691543	1	Arm-Rocker
1100	690973	1	Pivot-Rocker Arm



Carburetor Assembly Briggs and Stratton 303447-1180-E1

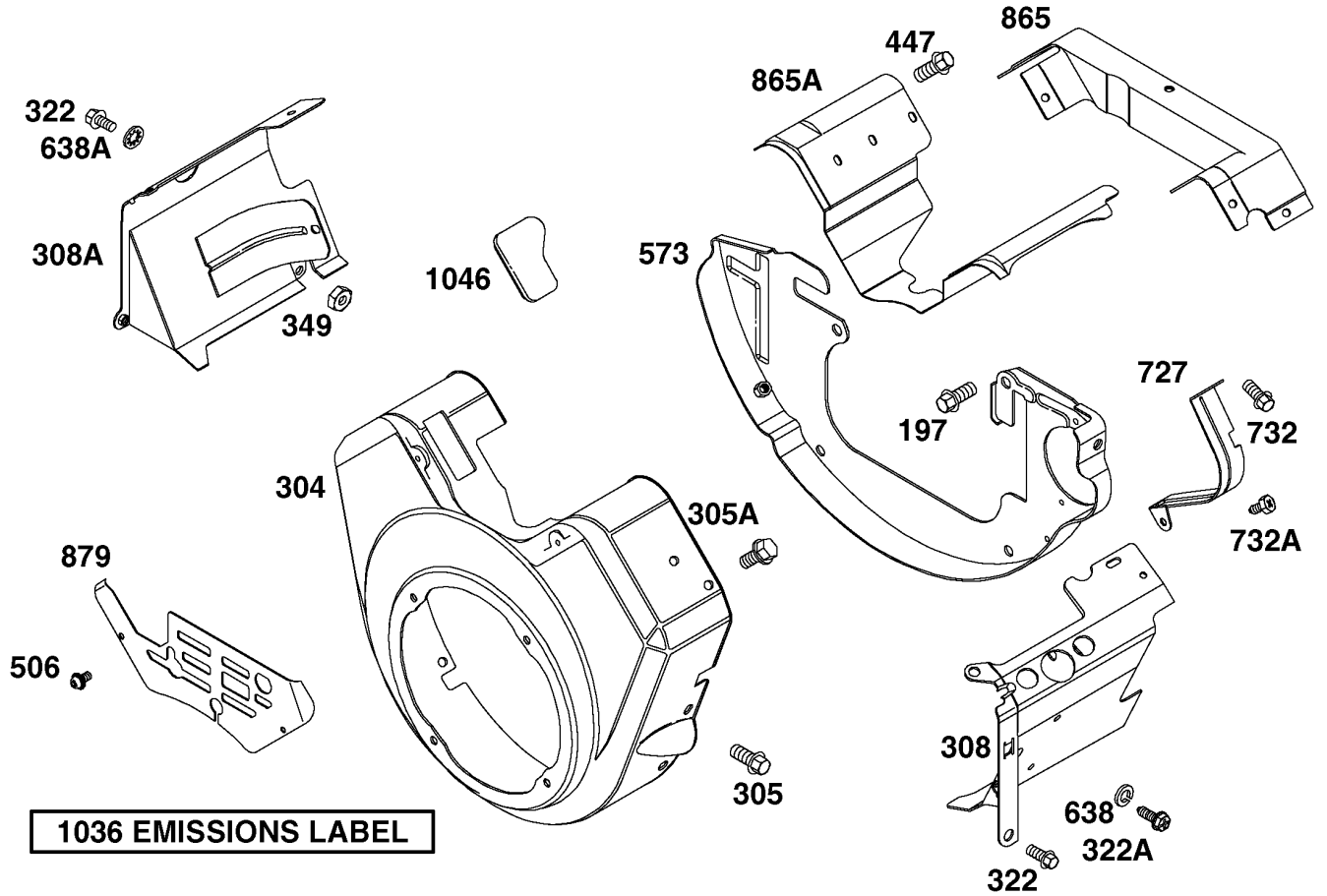
Ref	Part No.	Qty.	Description
51	805700	1	Gasket-Intake
91	807919	1	Body-Upper Carburetor
94	808257	1	Idle Mixture Kit
95	690718	1	Screw
97	807720	1	Shaft-Throttle
98	808177	1	Screw
102	805541	1	Gasket-Intake Elbow
104	690723	1	Pin-Float Hinge
105	805547	1	Valve-Needle
108	690719	1	Valve-Choke
109	807722	1	Shaft-Choke
117	690861	1	Jet-Main
	805537	1	Jet-Main (high Altitude)
119	690720	1	Screw
125	808251	1	Carburetor Assembly
127	690727	1	Plug-Welch
130	690726	1	Valve-Throttle
133	691510	1	Float-Carburetor
142	690725	1	Nozzle-Carburetor
187	296004	1	Fuel-Hose
231	690718	1	Screw
255	690721	1	Bushing-Choke Shaft
385	692537	1	Screw
387	491922	1	Pump-Fuel
601	93053	1	Clamp-Hose

Ref	Part No.	Qty.	Description
628	805025	1	Screw
633	690722	1	Seal-Choke Shaft
788	691559	1	Bracket-Pump
807	805557	1	Collar-Throttle
918	393815	1	Hose-Fuel
947	807664	1	Solenoid
1091	691516	1	Cap-Limiter



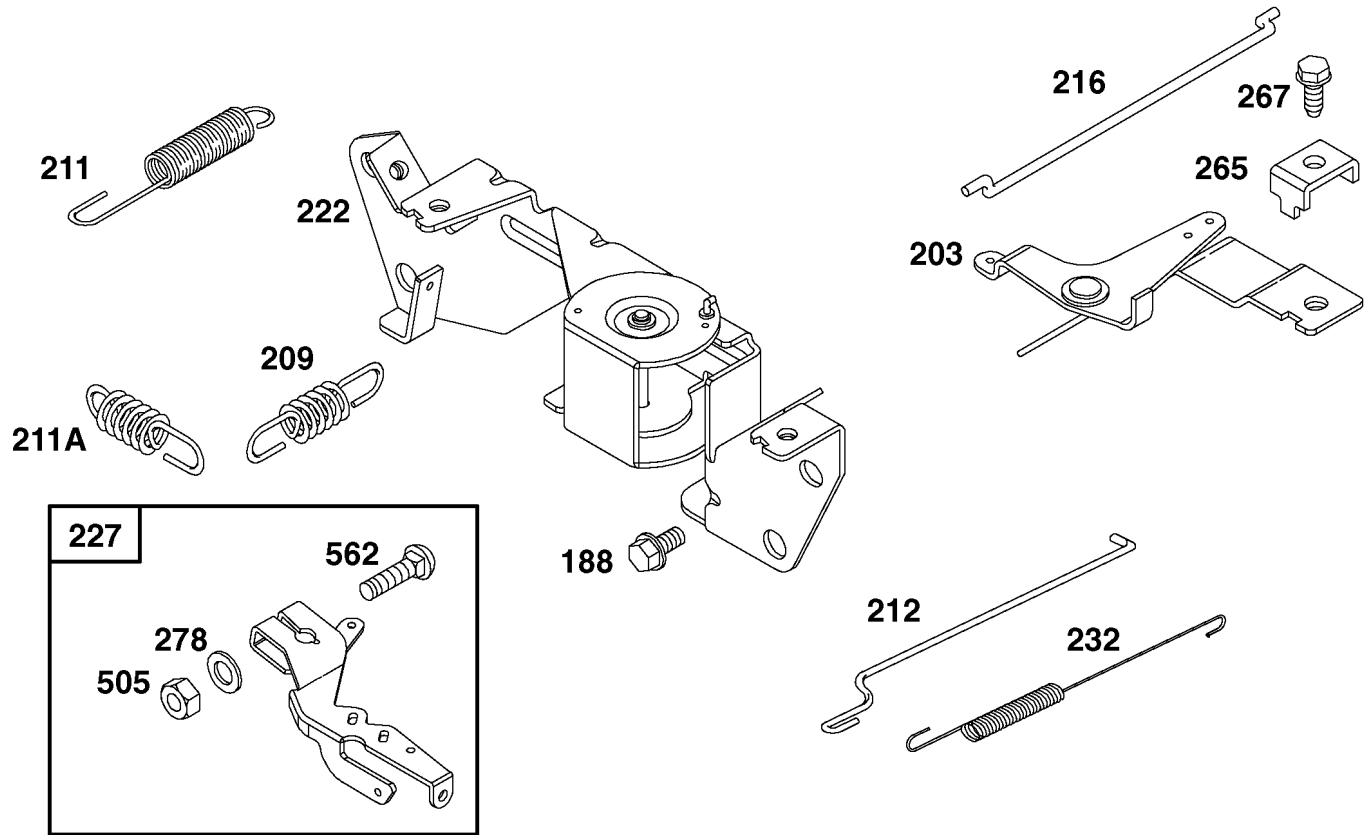
Air Cleaner Assembly Briggs and Stratton 303447-1180-E1

Ref	Part No.	Qty.	Description
50	690754	1	Manifold-Intake
51	805700	1	Gasket-Intake
51A	805023	1	Gasket-Intake
54	690676	1	Screw
122	690691	1	Spacer-Carburetor
161	691561	1	Base-Air Cleaner
163	805655	1	Gasket-Carburetor
365	690711	1	Screw
445	394018	1	Filter-Air
467	491875	1	Knob
643	805631	1	Plate-Element
676	397630	1	Deflector-Exhaust
677	94896	1	Screw
711	691492	1	Screw
833	692539	1	Screw
833A	690872	1	Screw
862	692153	1	Mount-Cleaner
967	272490	1	Filter-Air
968	807862	1	Cover-Air Cleaner
971	692539	1	Screw
996	691577	1	Shield-Carburetor
1004	690743	1	Strap-Cleaner Mounting



Blower Housing Assembly Briggs and Stratton 303447-1180-E1

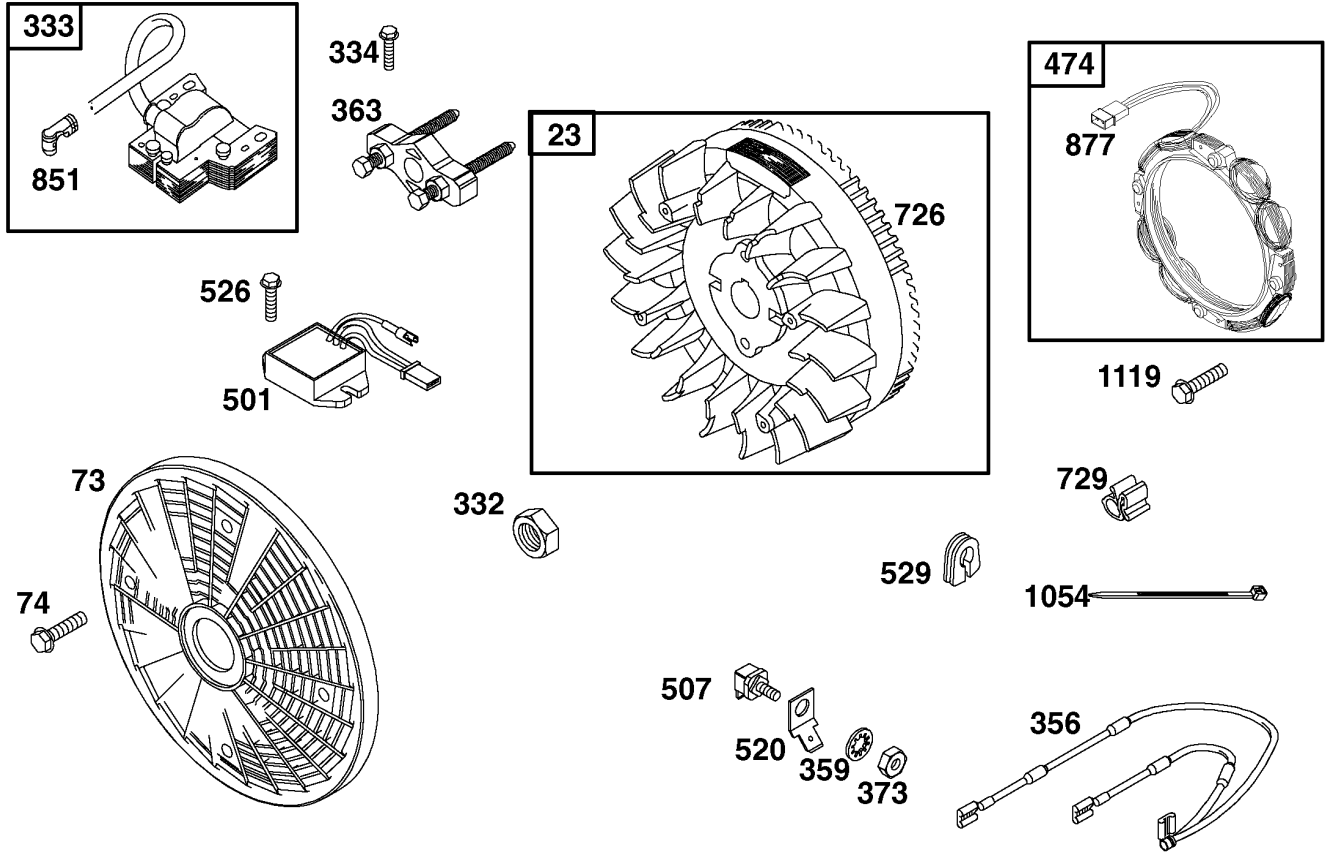
Ref	Part No.	Qty.	Description
197	692539	1	Screw
304	808408	1	Housing-Blower
305	692539	1	Screw
305A	805025	1	Screw
308	691576	1	Cover-Cylinder Head (cylinder No.1)
308A	691563	1	Cover-Cylinder Head (cylinder No.2)
322	692539	1	Screw
322A	805448	1	Screw
349	690238	1	Nut (governor Control Lever)
447	692539	1	Screw
506	690617	1	Screw (carburetor Cover)
573	807663	1	Plate-Back
638	690706	1	Washer
638A	691551	1	Washer-Lock
727	690714	1	Shield-Starter
732	692539	1	Screw
732A	690688	1	Screw (flywheel Guard)
865	690901	1	Cover-Air Guide
865A	690750	1	Cover-Air Guide
879	690757	1	Cover-Carburetor
1036	806687	1	Decal-Emission
1046	805753	1	Plug-Blower Housing



Assemblies include all parts shown in frames.

Governor Assembly Briggs and Stratton 303447-1180-E1

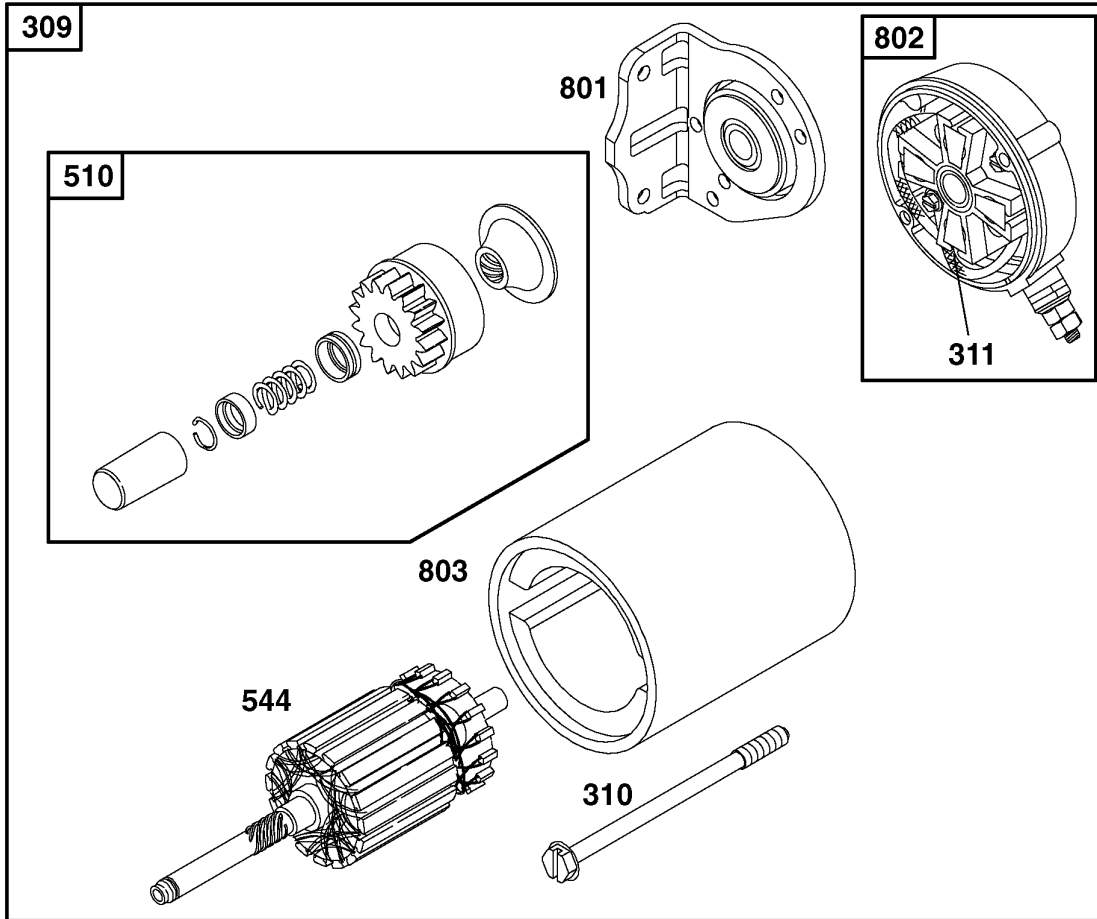
Ref	Part No.	Qty.	Description
188	805025	1	Screw
203	690923	1	Crank-Bell
209	691508	1	Spring-Governor
211	805450	1	Spring-Governor
211A	805453	1	Spring-Governor
212	690712	1	Link-Governor
216	690705	1	Link-Choke
222	808454	1	Bracket-Control
227	690236	1	Lever-Governor Control
232	805465	1	Spring-Link
265	221535	1	Clamp-Casing
267	805762	1	Screw-HH
278	690237	1	Washer
505	690238	1	Nut (governor Control Lever)
562	690239	1	Bolt-Carriage



Assemblies include all parts shown in frames.

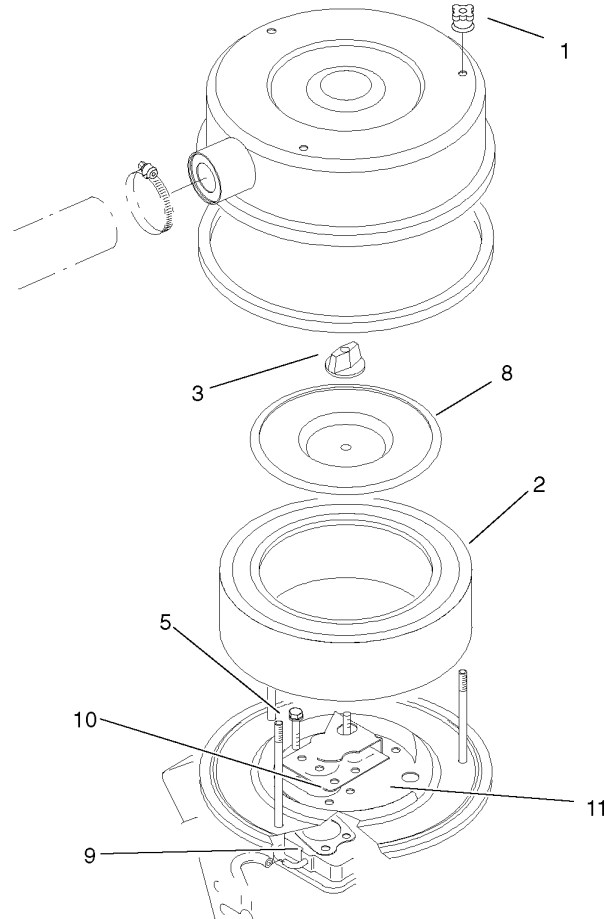
Flywheel Assembly Briggs and Stratton 303447-1180-E1

Ref	Part No.	Qty.	Description
23	690919	1	Flywheel
73	494439	1	Screen-Rotating
74	805447	1	Screw
332	690887	1	Nut
333	49234	1	Armature-Magneto
334	805407	1	Screw-HH
356	493792	1	Wire-Stop
359	691077	1	Washer (groundterminal)
363	19203	1	Puller-Flywheel
373	90576	1	Nut
474	393295	1	Alternator
501	394890	1	Regulator
507	398525	1	Insulator
520	691084	1	Terminal-Spade
526	805448	1	Screw
529	690744	1	Grommet
726	808162	1	Ring Gear (includes Mounting Hardware).
729	690586	1	Clip-Wire
851	493880	1	Terminal-Cable
877	393537	1	Wire-Alternator
1054	280275	1	Cable Tie
1119	805407	12	Screw-HH



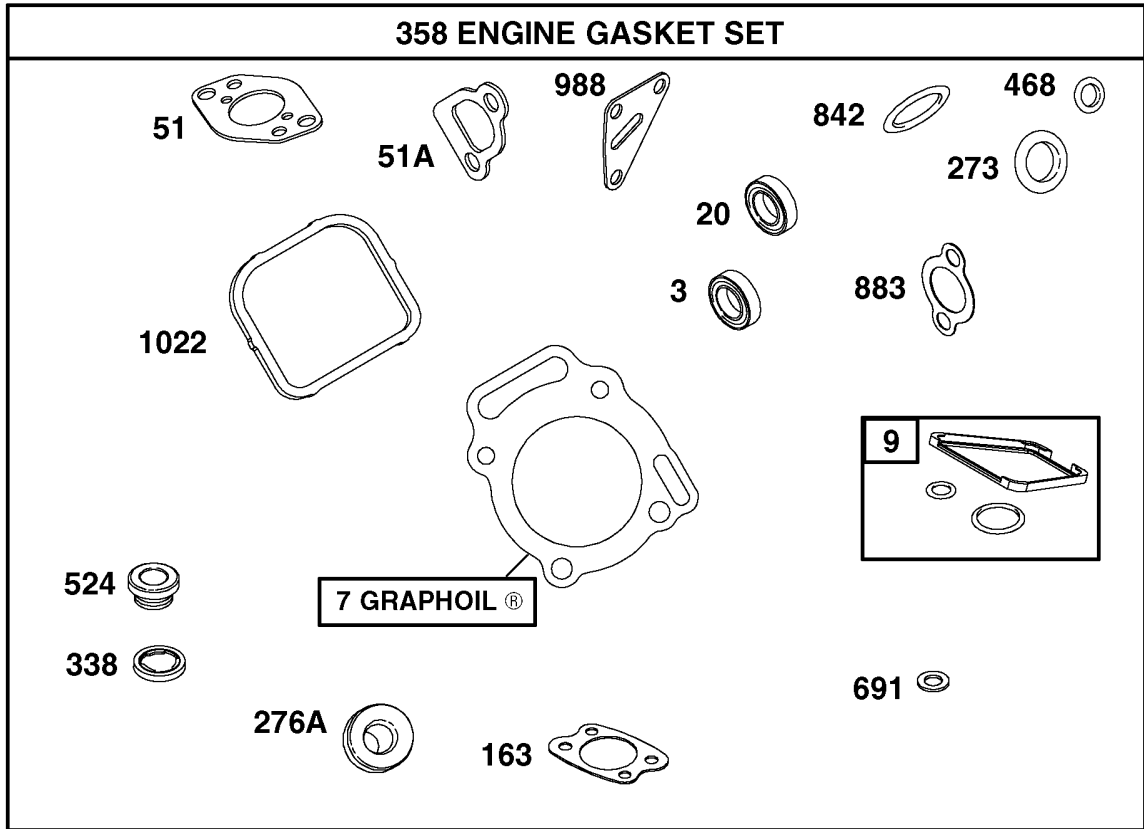
Starter Assembly Briggs and Stratton 303447-1180-E1

Ref	Part No.	Qty.	Description
309	691564	1	Motor-Starter
310	496880	1	Bolt-Thru
311	496887	1	Brush Set
510	496881	1	Drive-Starter
544	690855	1	Armature-Starter
697	805247	1	Screw
801	496814	1	Cap-Drive
802	496813	1	Bolt
803	690854	1	Housing-Starter



Engine Parts Kit Briggs and Stratton 303447-1180-E1

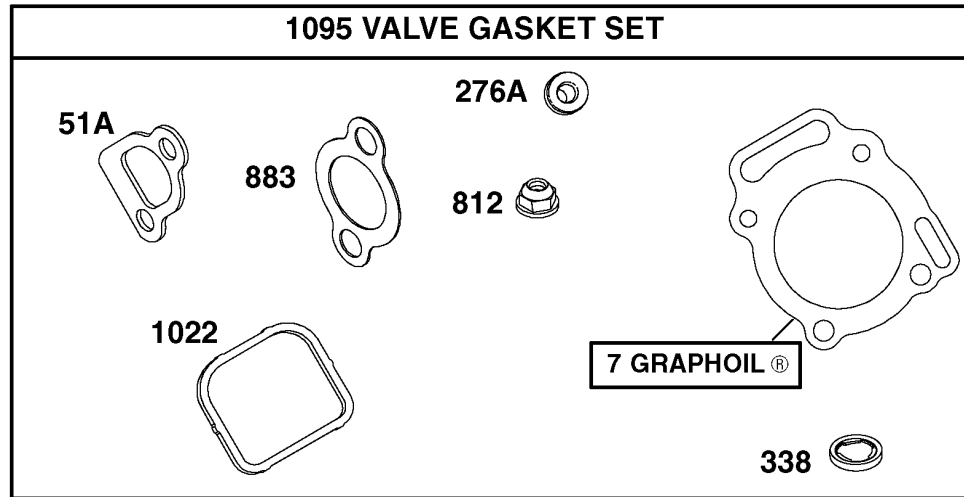
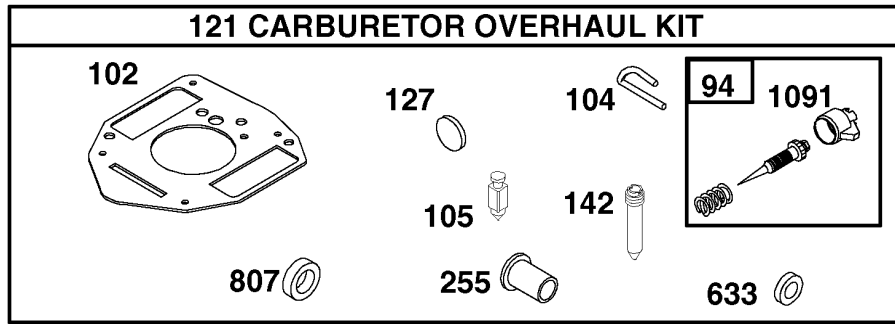
Ref	Part No.	Qty.	Description				
1	281051	3	Nut				
2	394018	1	Filter-Air				
3	491875	1	Knob				
5	805317	5	Screw-Hfh				
8	805631	1	Plate-Element				
9	805655	1	Gasket-Carburetor				
10	808311	1	Shield-Carburetor				
11	805783	1	Hose-Breather				



Assemblies include all parts shown in frames.

Gasket Kit Briggs and Stratton 303447-1180-E1

Ref	Part No.	Qty.	Description
3	805101	1	Seal-Oil
7	806085	1	Gasket-Cylinder Head
9	807688	1	Gasket-Breather
20	805049	1	Seal-Oil
51	805700	1	Gasket-Intake
51A	805023	1	Gasket-Intake
163	805655	1	Gasket-Carburetor
273	690681	1	Seal-O Ring (oil Pump)
276A	805420	1	Washer
338	271983	1	Seal-Filler Plug
358	808390	1	Gasket Set
468	690690	1	Screw
524	281370	1	Grommet
691	690680	1	Seal-Governor Shaft
842	805386	1	O-Ring
883	805024	1	Gasket-Exhaust
988	805250	1	Gasket-Adapter
1022	806039	1	Gasket-Valve Cover



Assemblies include all parts shown in frames.

Carburetor Overhaul Kit Assembly Briggs and Stratton 303447-1180-E1

Ref	Part No.	Qty.	Description				
③ ④ 7	806085	1	Gasket-Cylinder Head				
③ ④ 51A	805023	1	Gasket-Intake				
⑥ 94	808257	1	Idle Mixture Kit				
⑥ 102	805541	1	Gasket-Intake Elbow				
⑥ 104	690723	1	Pin-Float Hinge				
⑥ 105	805547	1	Valve-Needle				
121	808273	1	Carburetor Kit				
⑥ 127	690727	1	Plug-Welch				
⑥ 142	690725	1	Nozzle-Carburetor				
⑥ 255	690721	1	Bushing-Choke Shaft				
③ ④ 276A	805420	1	Washer				
③ ④ 338	691312	1	Gasket-Dipstick				
⑥ 633	690744	1	Grommet				
⑥ 807	805557	1	Collar-Throttle				
⑥ 812	805019	1	Nut-Lock				
③ ④ 883	805024	1	Gasket-Exhaust				
③ ④ 1022	806039	1	Gasket-Valve Cover				
⑥ 1091	691516	1	Cap-Limiter				
1095	808392	1	Gasket Set-Valve				

