



Count on it.

Parts Catalog

**Multi Pro®
WM Turf Sprayer**

Model No. 41240—Serial No. 408000000 and Up



Ordering Replacement Parts

To order replacement parts, please supply the part number, the quantity, and the description of each part desired.

Understanding Reference Numbers

Each identified part in an illustration has a reference number. The reference number for a part also appears in the parts list, along with other information about the part.

This catalog uses two special reference number formats, one to indicate parts in a service assembly and another to indicate the quantity of a given part in an illustration.

Service Assembly Reference Numbers

Parts in service assemblies have reference numbers in the form a:b. The a represents the reference number of the entire service assembly and the b represents a sequential number unique to each part within the service assembly.

For example, a wheel assembly might be identified by reference number 6, the tire by 6:1, the valve by 6:2, and the wheel by 6:3. When you order the assembly identified by reference number 6, you receive all parts identified by reference numbers 6:1, 6:2, and 6:3. However, you may also order any part individually. Reference numbers of this type appear in illustration and in parts lists.

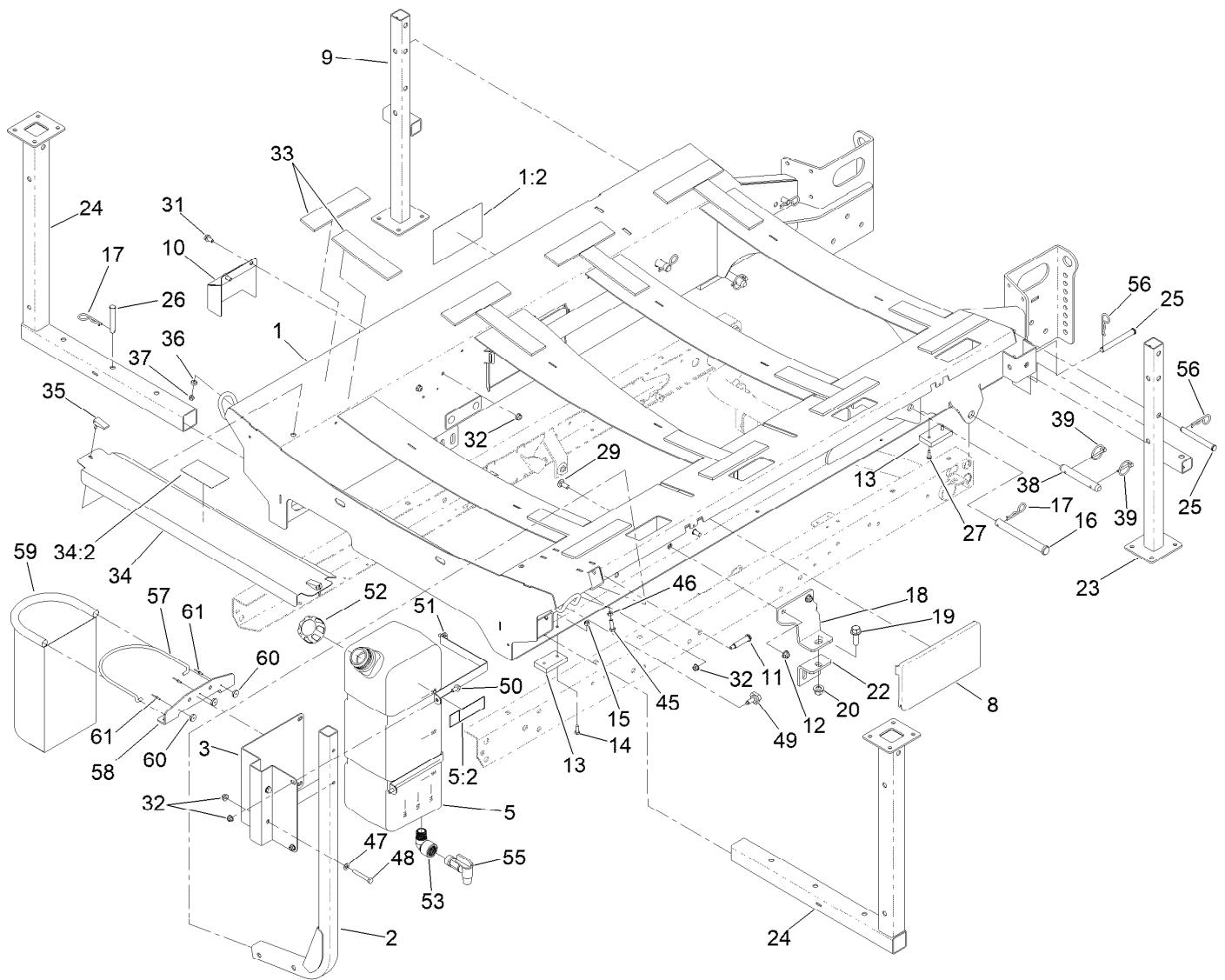
Reference Numbers Indicating Quantity

In an illustration, if a reference number indicates more than one part, the reference number has the form nX y. The n represents the quantity of the part, the X is the multiplication symbol, and the y represents the reference number.

For example, in an illustration, the reference number 2X 37 means that two of the parts identified by reference number 37 are indicated.

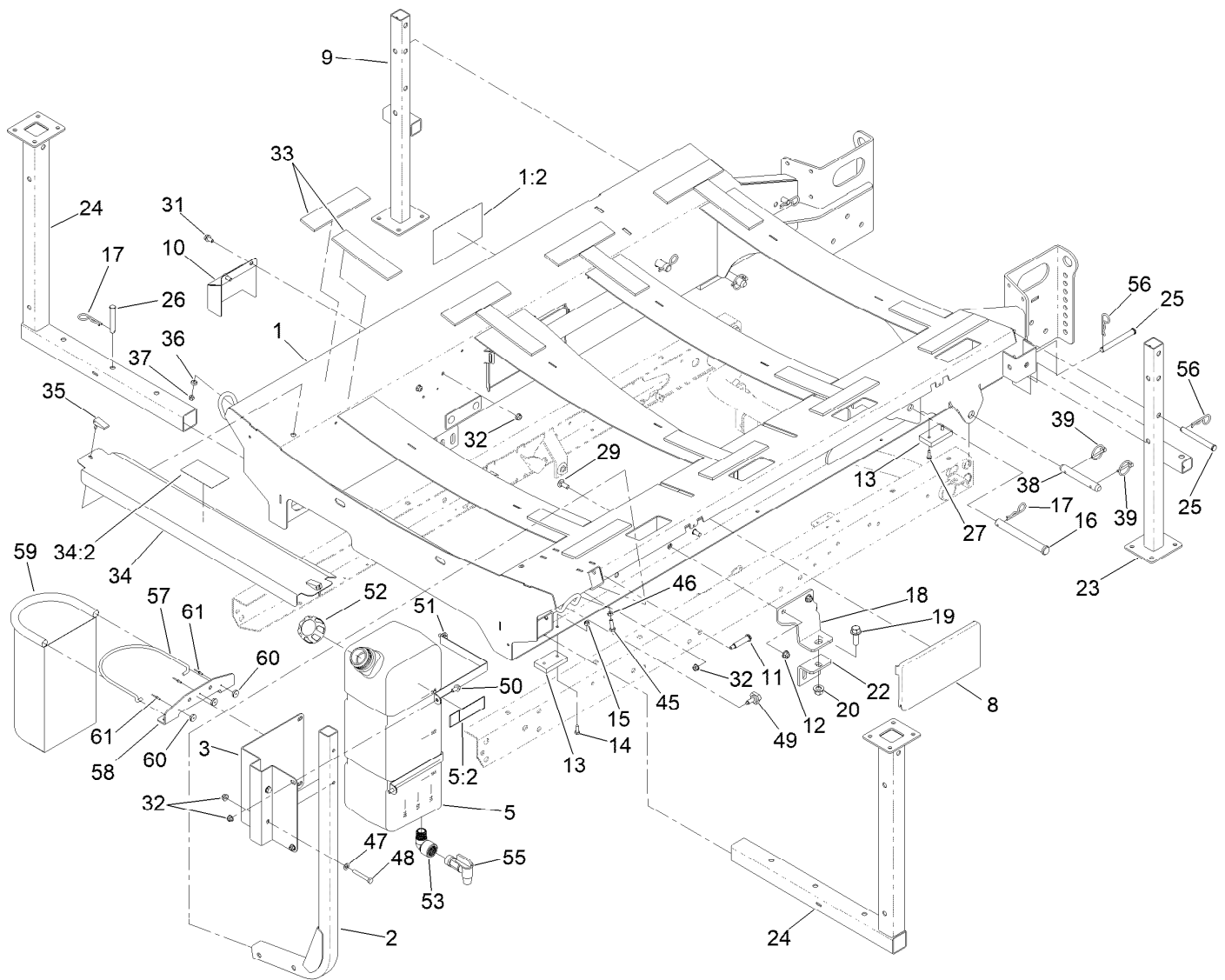
Contents

Frame, Stand and Boom Mount Assembly	4
Control Console Assembly	6
Turf Sprayer Finishing Kit No. 131-3301	8
Hydraulic Motor Assembly No. 131-5810	9
Multi Pro WM Turf Sprayer Finishing Kit No. 131-3302	10
Driveshaft Assembly No. 125-0680	11
Pump Mount Assembly	12
Pump Assembly No. 137-4230	13
Spray Tank Assembly	14
200 Gallon Spray Tank Assembly No. 138-8371	15
Spray Tank Lid Assembly No. 138-6283	16
Filter Assembly No. 130-7096	17
Spray Valve Assembly	18
Manifold Assembly	19
Regulating Valve Body Assembly No. 127-9804	20
Regulating Actuator Assembly No. 144-6163	21
Actuator On/Off Assembly No. 140-7377	22
Pressure Filter Assembly No. 131-3791	23
Manifold Valve Kit No. 131-0253	24
Manifold Valve Kit No. 131-7256	25
Section Manifold Valve Assembly	26
On/Off Manifold Valve Kit No. 127-9803	27
Bypass Valve Assembly No. 127-9805	28
Hose Assembly	29
Boom Lift Assembly	31
Hydraulic Cylinder Assembly No. 117-0701	32
On-Off Boom Lift Valve Assembly No. 136-2400	33
Electrical Assembly	34
Center Boom Assembly	35
LH Single Turret Body Assembly No. 108-3725	37
Double Turret Body Assembly No. 108-3727	38
RH Single Body Turret Assembly No. 108-3726	39
Boom Mounting Assembly	40
Boom Pivot Assembly	41
Left and Right Hand Boom Assembly	42
Attachments and Accessories	43



Frame, Stand and Boom Mount Assembly

Ref.	Part Number	Qty.	Description	Ref.	Part Number	Qty.	Description
1	127-3984	1	Skid ASM	24	125-0841-03	2	Stand-Front
1:2	127-3936	2	Decal-Danger	25	283-83	4	Pin-Clevis
2	131-5791-03	1	Tube	26	283-55	2	Pin-Clevis
3	131-5796-03	1	Mount-Tank, Eye Wash	27	49-2040	4	Screw-HWHTF
5	132-7745	1	Fresh Water Tank ASM	29	3231-2	4	Bolt-CARR
5:2	120-0616	3	Decal-Water, Fresh	31	3234-14	2	Screw-HHF
8	125-0798	2	Cover-Access	32	104-8300	10	Nut-HF, NI
9	125-8108-03	1	Jack Stand-Rear, RH	33	125-8094	16	Pad-Tank
10	125-8138-03	1	Guard-Relay	34	127-3985	1	Skid Cover ASM
11	136-7199	2	Bolt-Shoulder	34:2	127-3937	1	Decal-Warning, Engine Cover
12	104-8301	4	Nut-HF, NI	35	106-6777	2	Handle-Latch, Swell
13	93-9719	4	Block-Wear	36	106-6778	2	Bushing-Latch, Swell
14	321-4	4	Screw-HH	37	1-804254	2	Nut-Lock, HH
15	3296-42	4	Nut-Lock, NI	38	92-1233	2	Pin-Clevis
16	120-5587	2	Pin-Clevis	39	92-1298	4	Pin-Lynch
17	3290-343	4	Pin-Hair	45	322-5	1	Screw-HH
18	125-0809	2	Bracket-Mount, Front	46	3218-2	1	Nut-Hex Jam
19	100-6116	2	Screw-HHF	47	3256-23	2	Washer-Plain
20	99-5107	2	Nut-Lock	48	322-11	2	Screw-HH
22	92-2667-03	2	Bracket-Mount	49	95-9648	2	Knob
23	125-0840-03	1	Jack Stand-Rear				

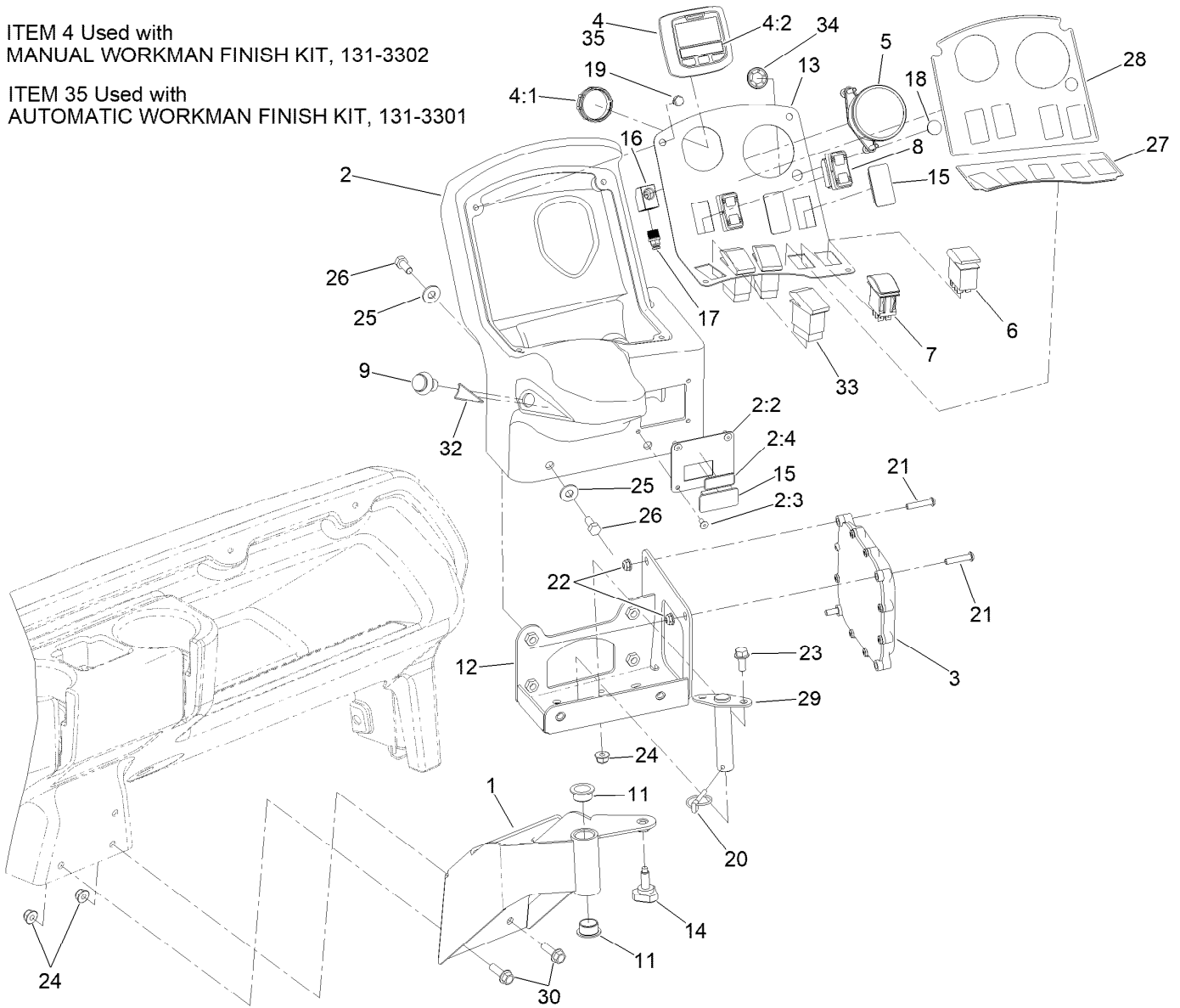


Frame, Stand and Boom Mount Assembly (continued)

<i>Ref.</i>	<i>Part Number</i>	<i>Qty.</i>	<i>Description</i>	<i>Ref.</i>	<i>Part Number</i>	<i>Qty.</i>	<i>Description</i>
50	3234-7	4	Screw-HHF	57	117-0546	1	Rod-Bag, Storage
51	132-7628-03	2	Band-Tank, Eye Wash	58	145-3366-03	1	Bracket-Mount, Storage Bag
52	106-5052	1	Cap-Water, Fresh	59	103-5971	1	Bag-Storage
53	132-7706	1	Elbow-90 DEG	60	140-7369	1	Magnet
55	100-7011	1	Spigot-90 DEG	61	3290-55	1	Rivet-Pop
56	3290-355	4	Pin-Hair				

ITEM 4 Used with
MANUAL WORKMAN FINISH KIT, 131-3302

ITEM 35 Used with
AUTOMATIC WORKMAN FINISH KIT, 131-3301

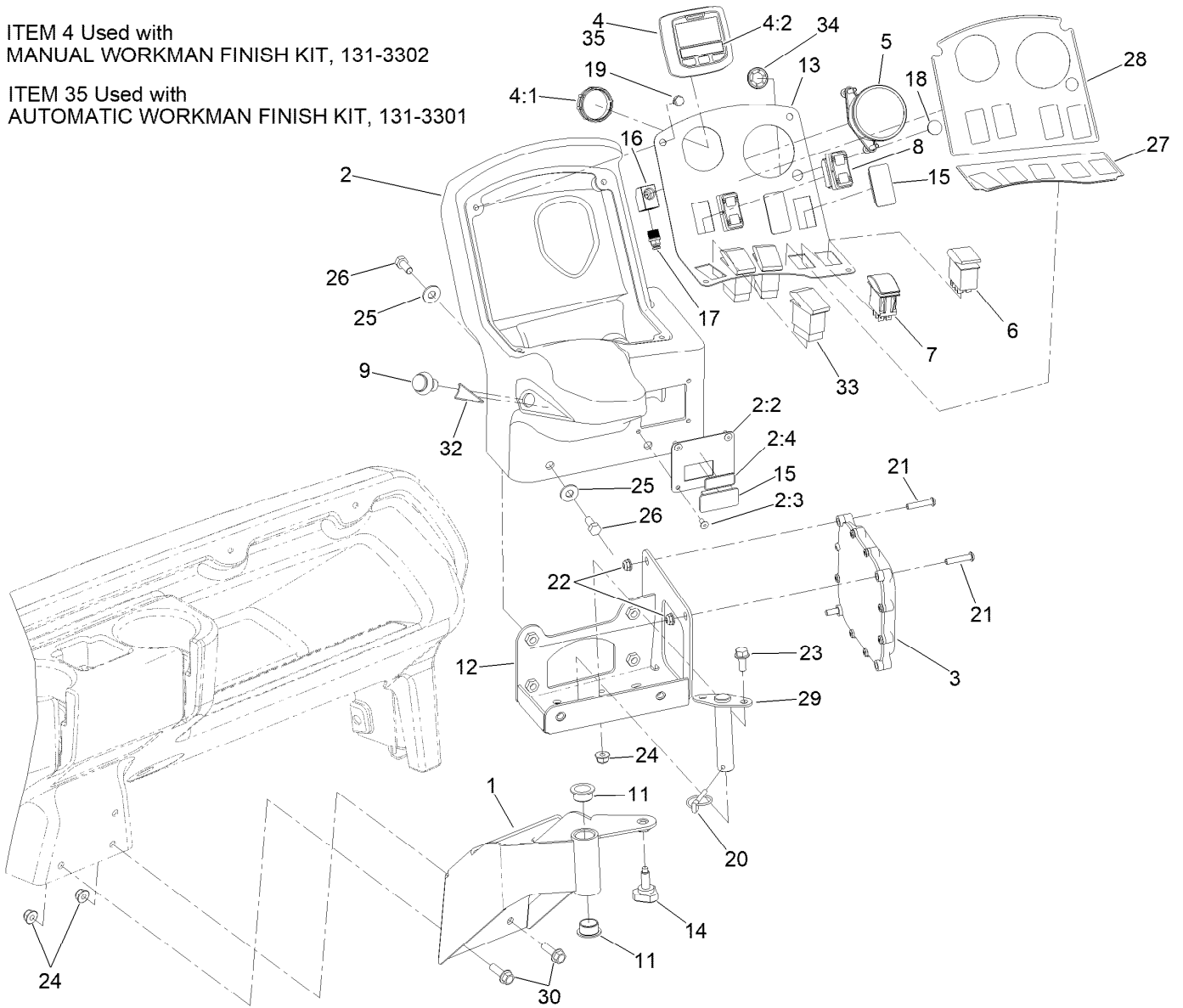


Control Console Assembly

Ref.	Part Number	Qty.	Description	Ref.	Part Number	Qty.	Description
1	131-5795-03	1	Bracket-Console	14	95-9648	1	Knob
2	131-9618	1	Control-Console	15	99-7420	3	Plug-Hole
2:2	131-9607-03	1	Plate-Switch	16	131-9605	1	Fitting-Elbow-90
2:3	3290-409	4	Rivet	17	100-8674	1	Coupler-Tube
2:4	131-5808	1	Decal-Switch	18	119-5329	1	Plug-Hole
3	115-1900	1	Controller	19	93-6083	4	Screw-HWH
4	120-6310	1	LCD Display ASM Kantrak 1700	20	3290-495	1	Pin-Klik
4:1	120-4630	1	Nut-Display	21	120-0834	3	Screw-HSBH
4:2	120-6311	1	Decal-Display	22	104-7201	3	Nut-HF, NI
5	120-8546	1	Gauge-Pressure	23	3234-5	2	Screw-HHF
6	100-8490	1	Switch-Rocker, On-None-On	24	104-8300	5	Nut-HF, NI
7	100-1535	1	Switch-Rocker, (On)-Off-(On)	25	3256-71	6	Washer-Flat
8	125-0899	2	Switch-Rocker	26	322-43	6	Screw-HH
9	125-7996	1	Switch-Pb, Momentary	27	130-8294	1	Decal-Console
11	109-8054	2	Bushing-Flange	28	125-4052	1	Decal-Console, Upper
12	125-4021-0P	1	Bracket - Pivot, Console [prime	29	125-4054	1	Pin
13	125-4020-03	1	Panel-Control	30	3234-17	3	Screw-HHF
				32	125-8139	1	Decal-Master Boom Switch
				33	95-8999	3	Switch-Rocker, On-None-On

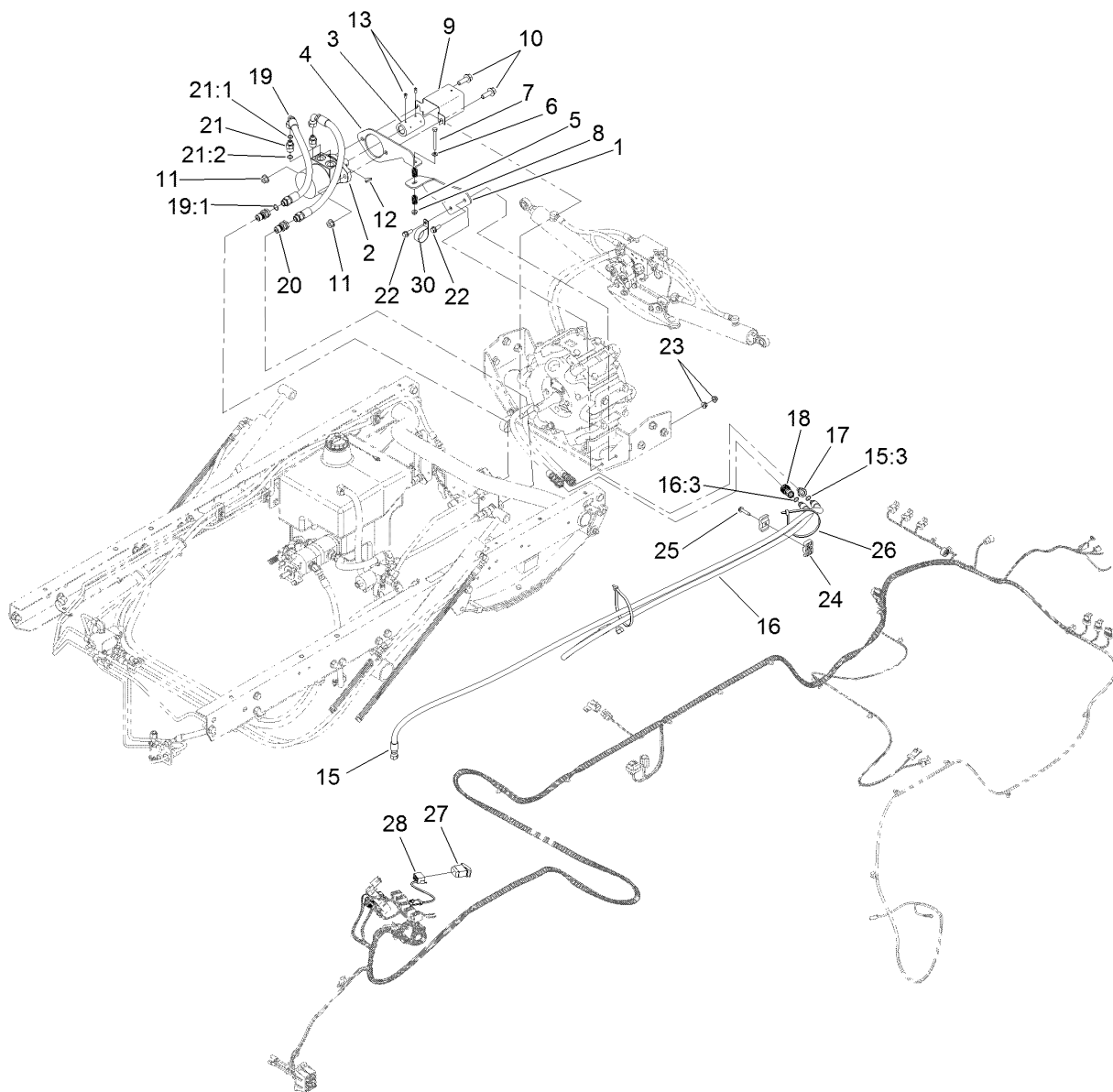
ITEM 4 Used with
MANUAL WORKMAN FINISH KIT, 131-3302

ITEM 35 Used with
AUTOMATIC WORKMAN FINISH KIT, 131-3301



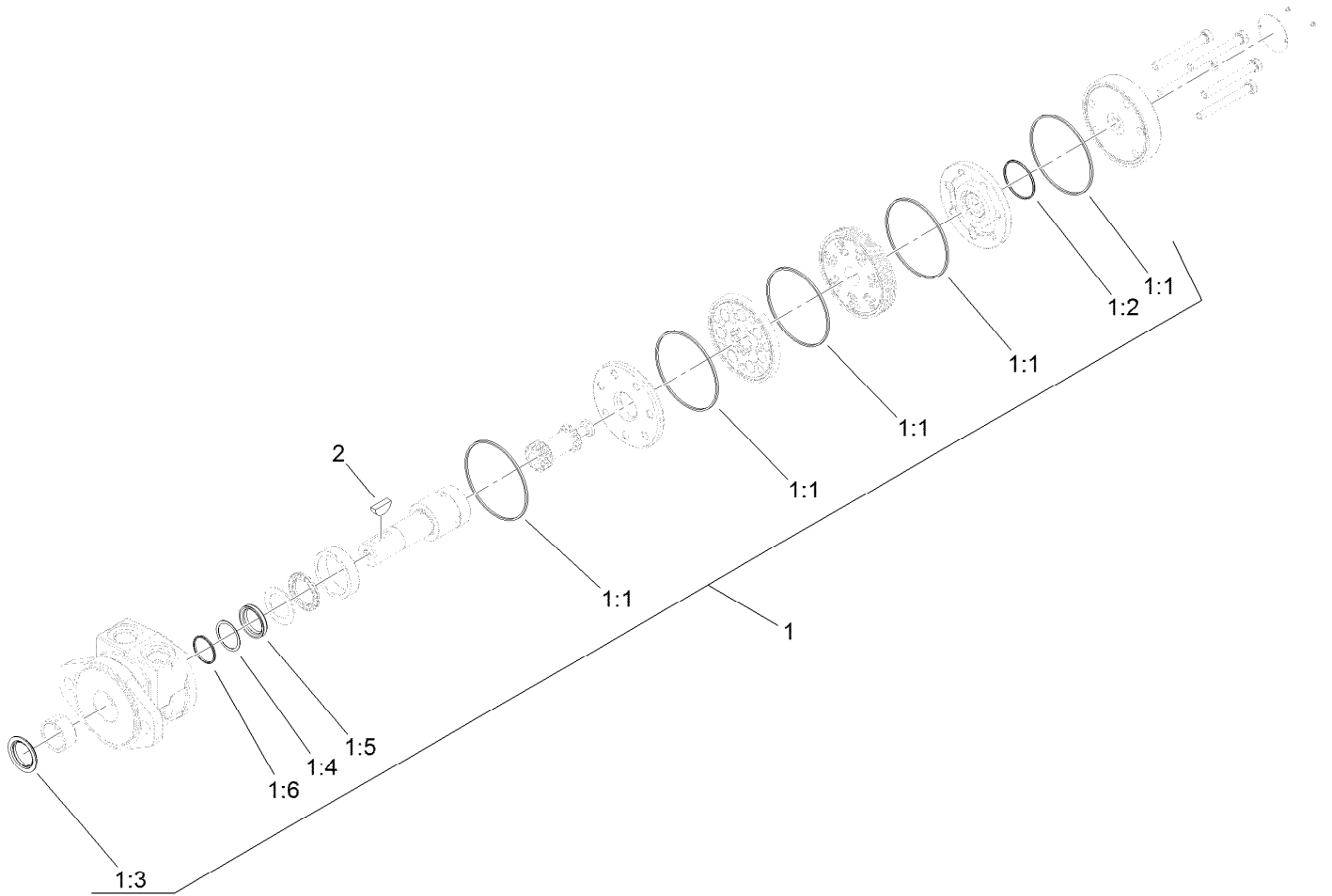
Control Console Assembly (continued)

<i>Ref.</i>	<i>Part Number</i>	<i>Qty.</i>	<i>Description</i>
34	1-323142	1	Nut-Push
35	163-2995	1	Display-LCD, Svc Only



Turf Sprayer Finishing Kit No. 131-3301

<i>Ref.</i>	<i>Part Number</i>	<i>Qty.</i>	<i>Description</i>	<i>Ref.</i>	<i>Part Number</i>	<i>Qty.</i>	<i>Description</i>
1	127-9796-03	1	Mount-Arm, Torque	17	106-7969	1	Coupler-Quick, Male
2	131-5810	1	Motor-Hydraulic	18	106-7968	1	Coupler-Quick, Female
3	117-8045	1	Coupler	19	130-7184	2	HYD Hose ASM
4	127-9794-03	1	Bracket-Motor	19:1	237-79	1	O-Ring
5	110-5331	2	Spring-Compression	20	105-4170	2	Coupler-Male
6	3256-23	1	Washer-Plain	21	340-6	2	Fitting-Straight
7	322-14	1	Screw-HH	21:1	237-30	1	O-Ring
8	104-8300	1	Nut-HF, NI	21:2	237-80	1	O-Ring
9	120-0628-03	1	Guard-Shaft, Pump	22	3234-42	2	Screw-HHF
10	100-6116	2	Screw-HHF	23	104-8301	2	Nut-HF, NI
11	108-3745	2	Nut-HHF, Whiz	24	56-7976	2	Clamp-Tube
12	106-1990	1	Key-Woodruff	25	32144-57	1	Screw
13	3241-7	4	Screw-SQH	26	3334-945	2	Tie-Cable
15	112-0273	1	HYD Hose ASM	27	95-8999	1	Switch-Rocker, On-None-On
15:3	237-42	1	O-Ring	28	122-0372	1	Harness-Wire
16	130-7181	1	Upper Lift Hose Valve ASM	30	2412-147	1	Clamp-R
16:3	237-42	1	O-Ring				

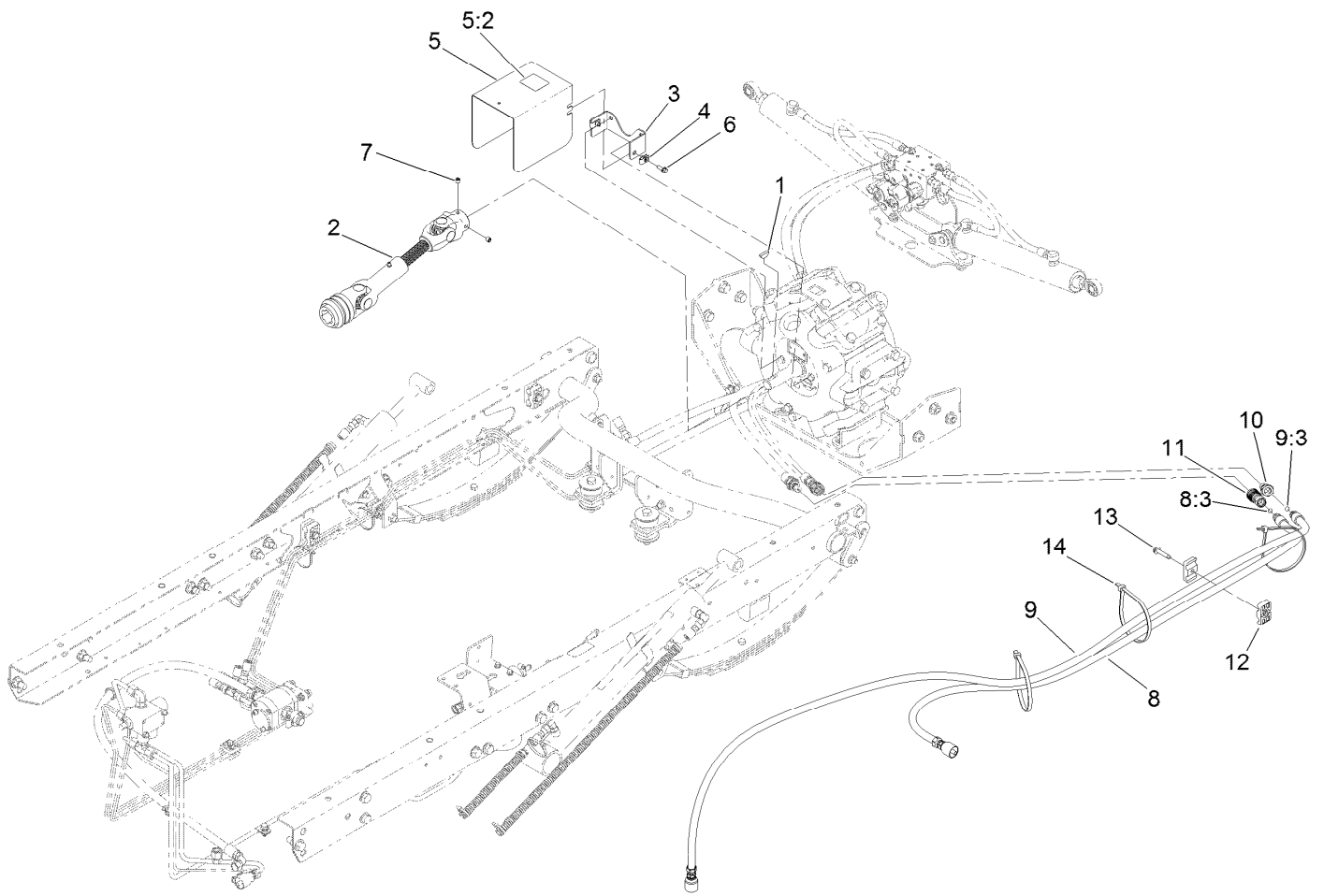


Hydraulic Motor Assembly No. 131-5810

Ref.	Part Number	Qty.	Description
1	106-1989	1	Seal Kit
1:1		6	Seal-Ring ■
1:2		1	Seal-Commutator ■
1:3		1	Seal-Dirt And Water ■
1:4		1	Washer-Backup ■
1:5		1	Seal-Shaft ■
1:6		1	Ring-Back Up ●■
2	106-1990	1	Key-Woodruff

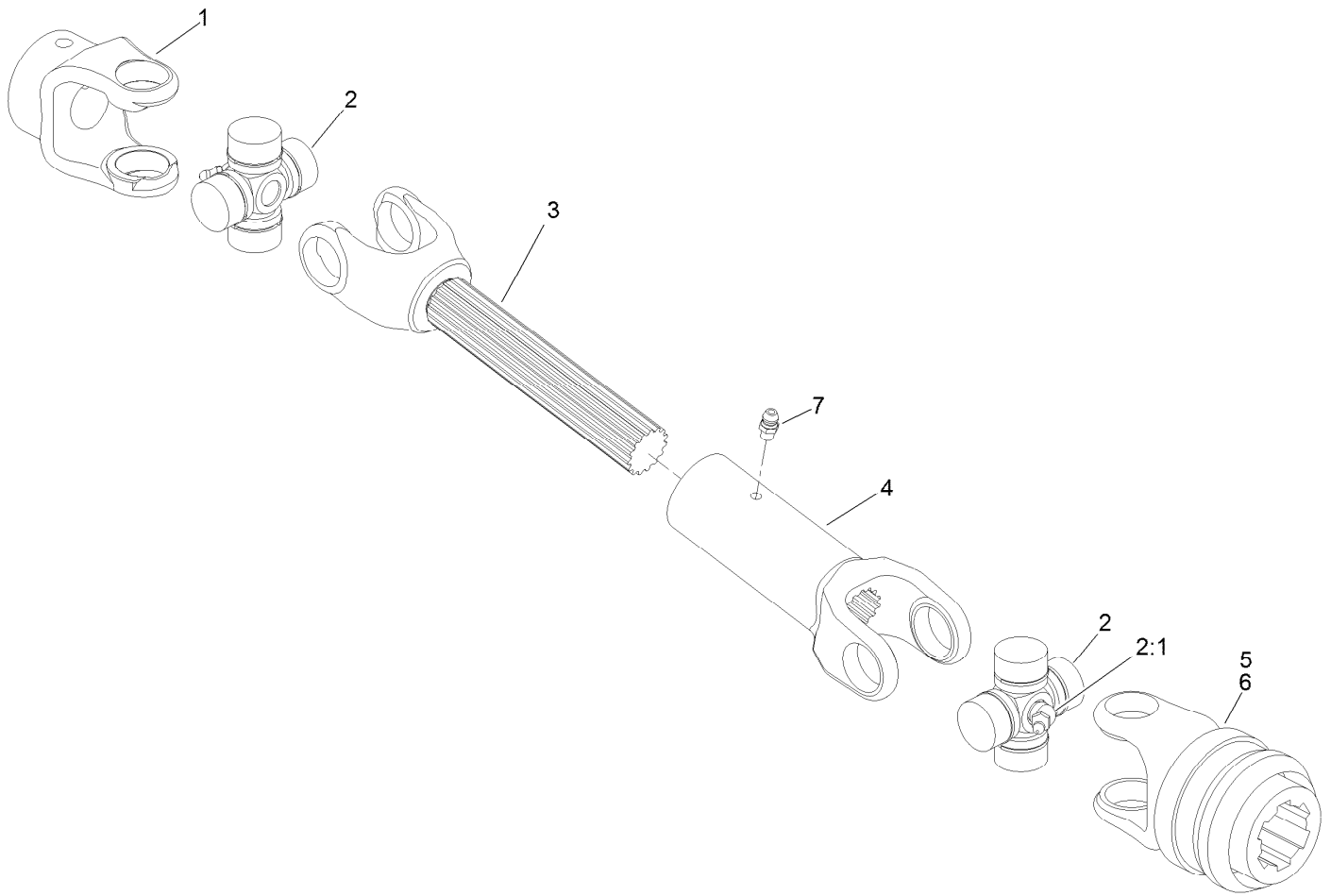
● Not illustrated

■ Not serviced separately



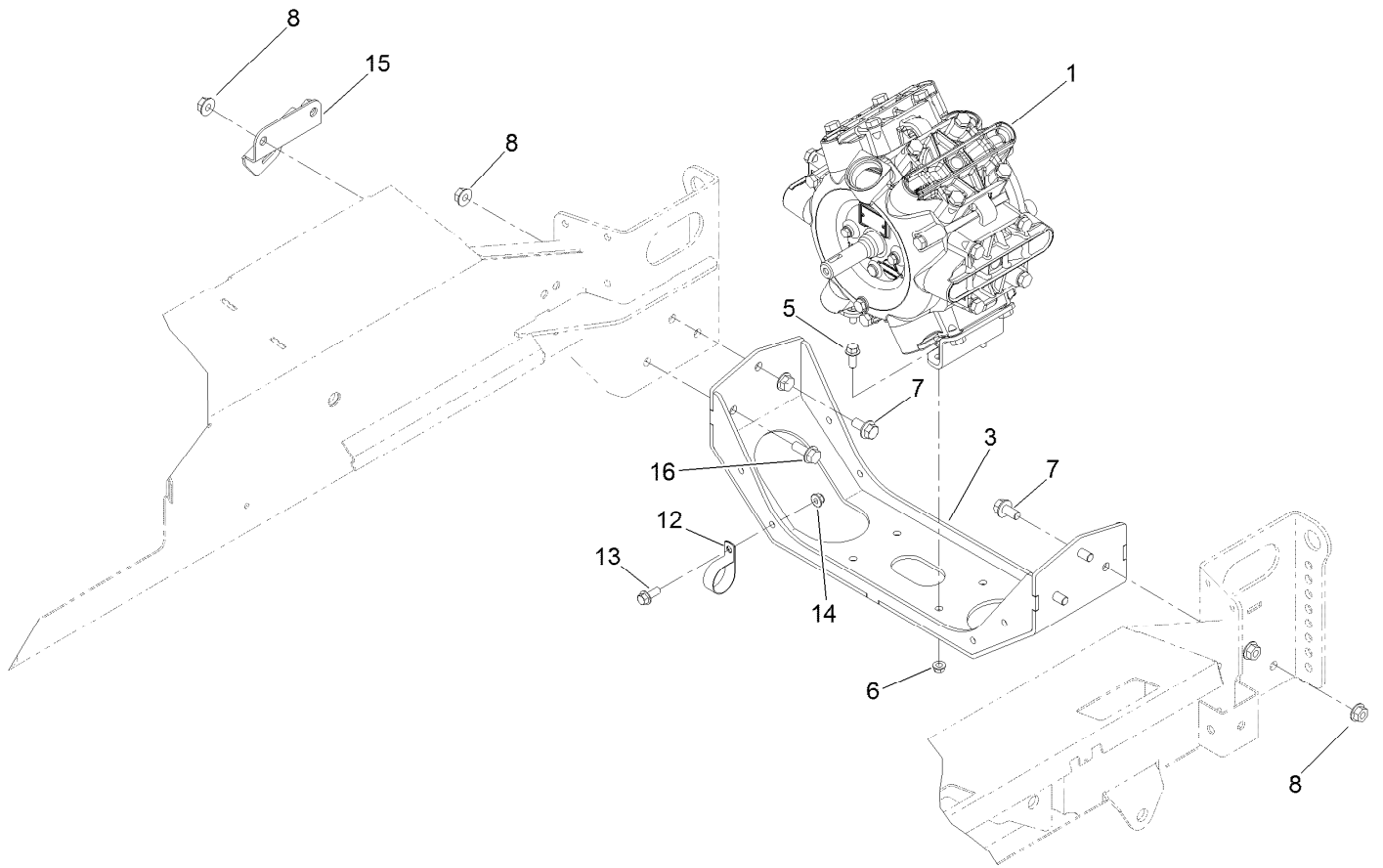
Multi Pro WM Turf Sprayer Finishing Kit No. 131-3302

Ref.	Part Number	Qty.	Description	Ref.	Part Number	Qty.	Description
1	106-1990	1	Key-Woodruff	8:3	237-42	1	O-Ring
2	125-0680	1	Driveshaft-PTO	9	112-0273	1	HYD Hose ASM
3	125-8054-03	1	Bracket-Shield, Driveshaft	9:3	237-42	1	O-Ring
4	107069	2	Clip	10	106-7969	1	Coupler-Quick, Male
5	127-3986	1	Shield-Driveshaft	11	106-7968	1	Coupler-Quick, Female
5:2	127-3981	1	Decal-Warning	12	56-7976	2	Clamp-Tube
6	3234-4	2	Screw-HHF	13	32144-57	1	Screw
7	3247-2	2	Screw-Set, HSH	14	3334-945	3	Tie-Cable
8	112-0274	1	Hose-HYD				



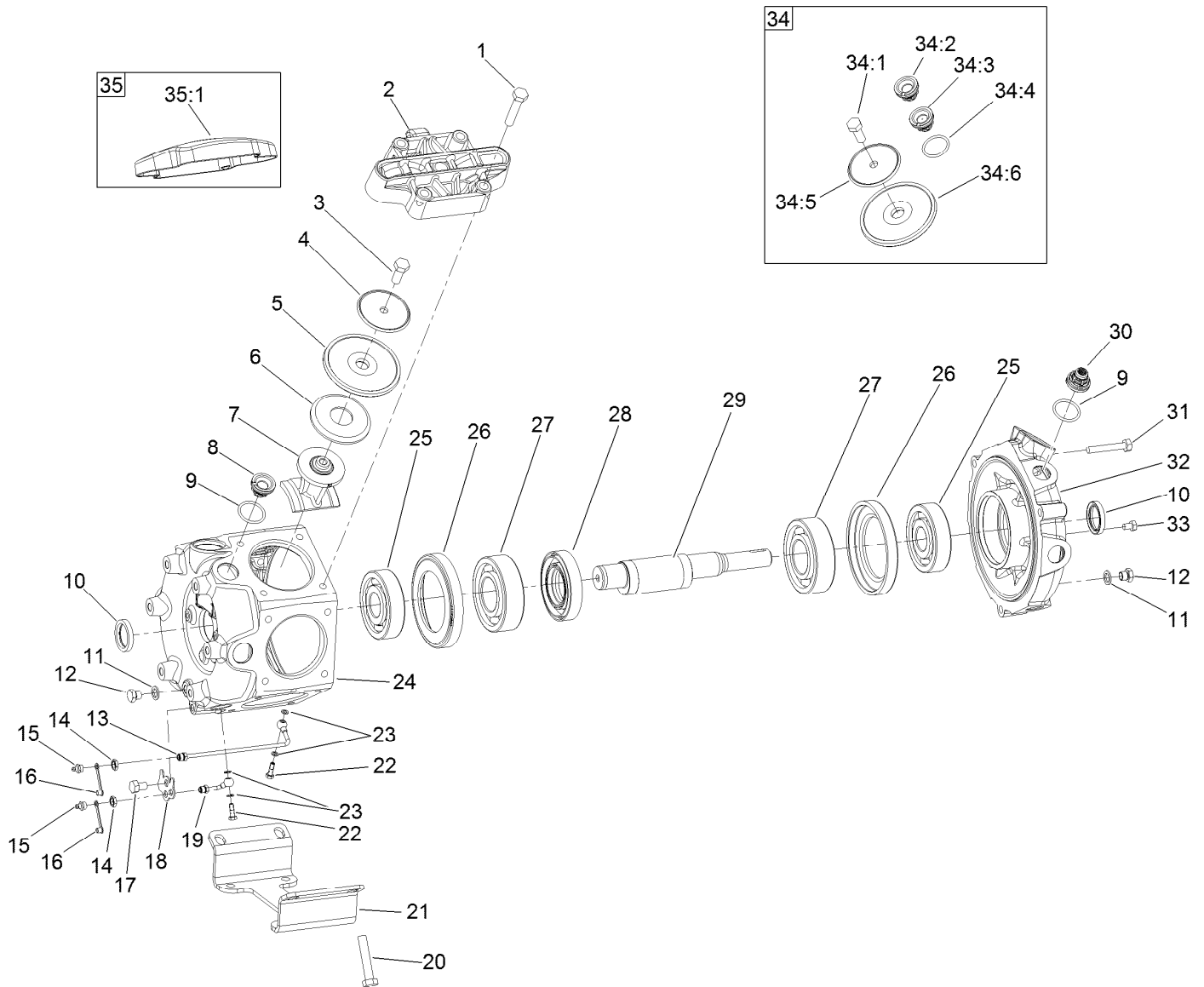
Driveshaft Assembly No. 125-0680

<i>Ref.</i>	<i>Part Number</i>	<i>Qty.</i>	<i>Description</i>
1	125-0679	1	Yoke-Shaft
2	54-9180	2	U-Joint Kit
2:1	62-3820	1	Fitting-Grease
3	125-8109	1	Shaft-Slip Yoke
4	94-7379	1	Tube-Yoke, Slip
5	99-4476	1	Spring Lock Yoke ASM
6	99-4477	1	Yoke Spring Lock Repair Kit
7	302-5	1	Fitting-Grease



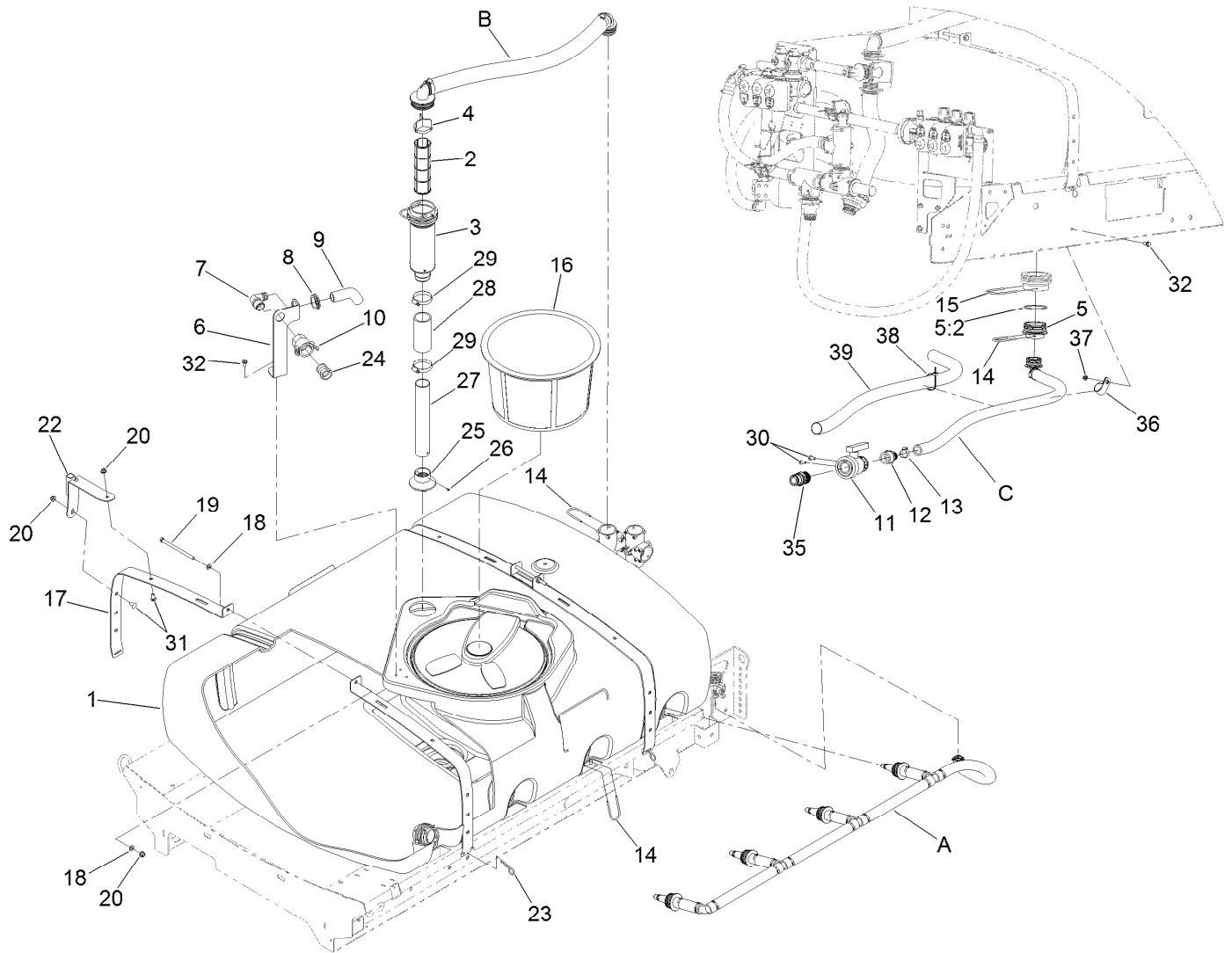
Pump Mount Assembly

<i>Ref.</i>	<i>Part Number</i>	<i>Qty.</i>	<i>Description</i>
1	137-4230	1	Pump ASM
3	125-8053-03	1	Mount-Pump
5	3234-11	4	Screw-HHF
6	3290-357	4	Nut-HSF
7	3234-6	4	Screw-HHF
8	32128-49	6	Nut-HHF
12	2412-147	1	Clamp-R
13	3234-42	1	Screw-HHF
14	104-8301	1	Nut-HF, NI
15	133-2867-03	1	Bracket-Mount Valve Drain
16	3234-38	2	Screw-HHF



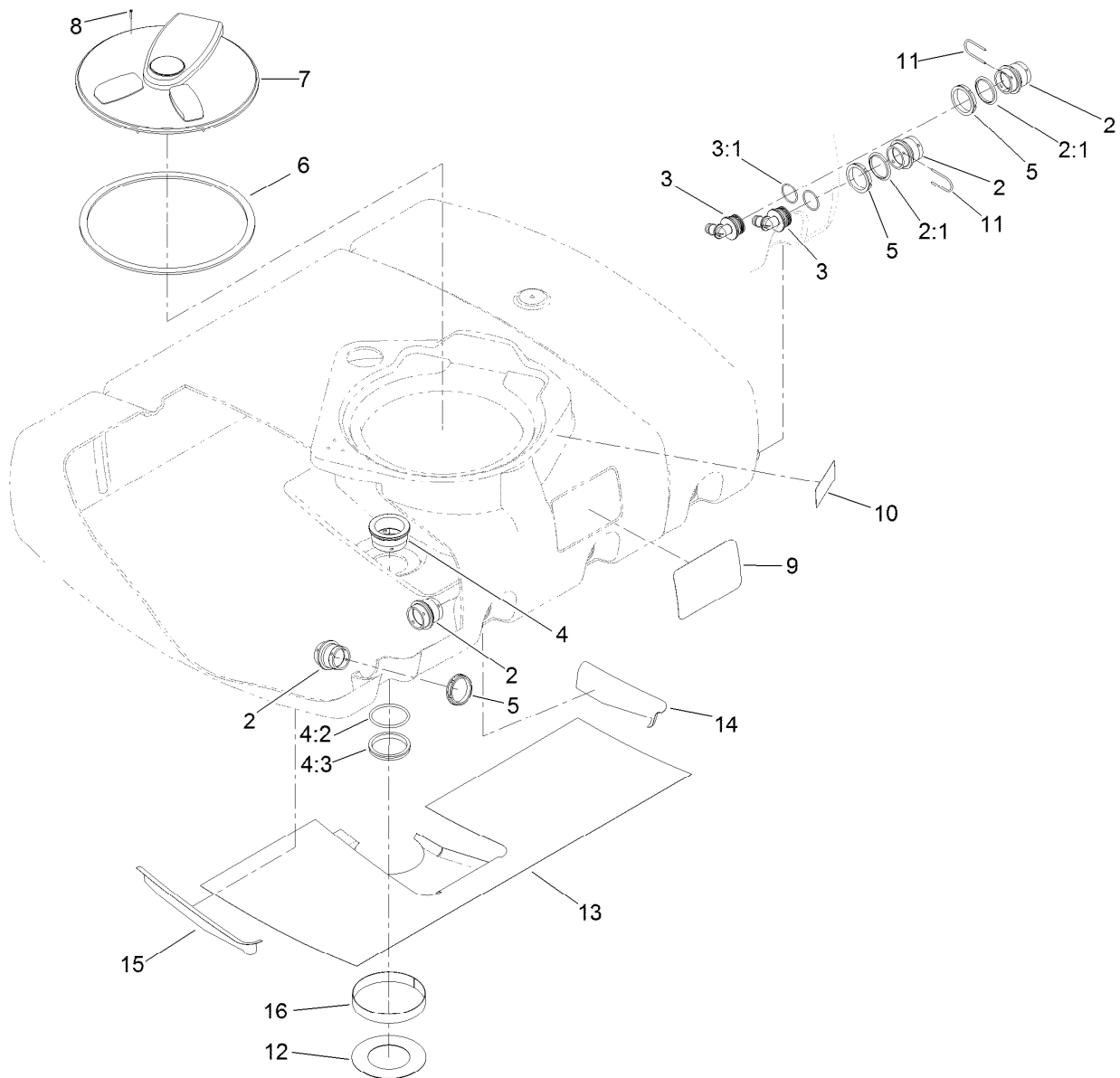
Pump Assembly No. 137-4230

Ref.	Part Number	Qty.	Description	Ref.	Part Number	Qty.	Description
1	120-0773	20	Bolt-Hex	22	133-2830	2	Bolt-Banjo
2	133-2824	6	Cover-Pump, Hardened	23	136-2251	4	Gasket
3	120-0777	6	Bolt-Hex	24	133-2821	1	Housing-Pump, Main
4	120-0778	6	Disc-Diaphragm	25	120-0788	2	Bearing-Ball
5	120-0779	6	Diaphragm	26	133-2820	2	Spacer-Metal
6	120-0780	6	Disc-Backing, Diaphragm	27	120-0791	2	Bearing-Ball
7	120-0781	6	Rod-Connecting	28	133-2827	1	Distance Ring
8	99-0861	10	Valve-Pump	29	133-2825	1	Shaft-Crank
9	100-6651	12	O-Ring	30	120-0793	2	Valve W/Hole
10	120-0783	2	Seal-Oil	31	120-0794	3	Bolt-Hex
11	120-0786	2	Seal	32	133-2822	1	Housing-Pump, Front
12	120-0785	2	Plug	33	120-0784	4	Bolt-Hex
13	133-2877	1	Tube-Banjo, Long	34	120-0796	1	Pump Kit
14	133-2878	2	Nut	34:1	120-0777	6	Bolt-Hex
15	133-2879	2	Nipple-Grease	34:2	99-0861	10	Valve-Pump
16	133-2880	2	Cap-Grease Nipple, Yellow	34:3	120-0793	2	Valve W/Hole
17	136-2252	1	Bolt-Hex	34:4	100-6651	12	O-Ring
18	133-2875	1	Plate-Nipple, Grease	34:5	120-0778	6	Disc-Diaphragm
19	133-2876	1	Tube-Banjo, Short	34:6	120-0779	6	Diaphragm
20	120-0774	4	Bolt-Hex	35	133-2898	1	Pump Head Kit
21	120-0787	1	Foot-Pump	35:1	133-2824	6	Cover-Pump, Hardened



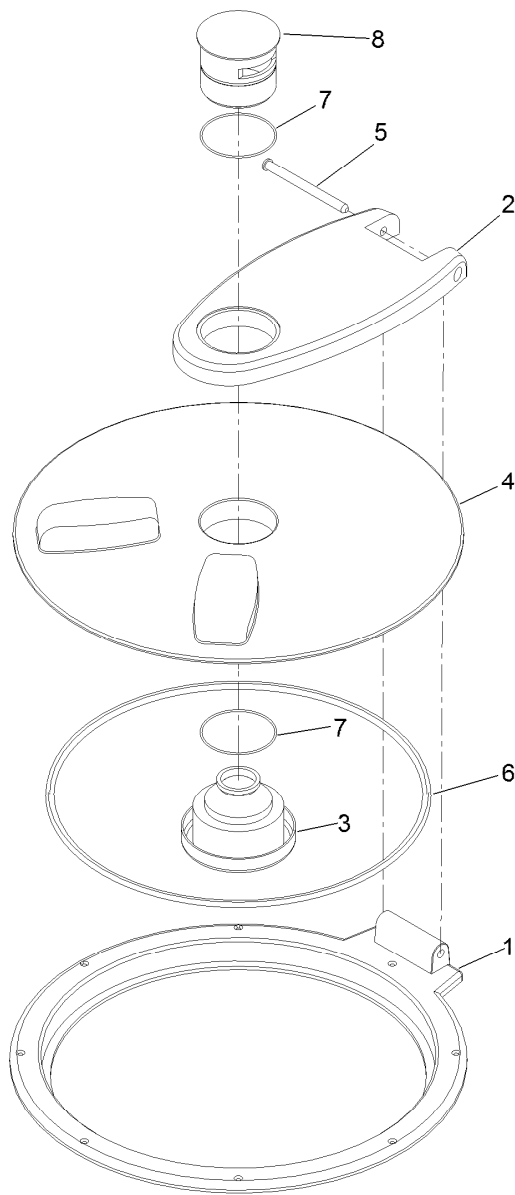
Spray Tank Assembly

Ref.	Part Number	Qty.	Description	Ref.	Part Number	Qty.	Description
1	138-8371	1	200 Gallon Tank	19	323-58	2	Bolt-TAP, HH
2	100-8642	1	Screen-Suction	20	104-8301	4	Nut-HF, NI
3	130-7096	1	Filter ASM	22	127-3920-03	1	Bracket-Storage
4	100-8641	1	Vane-Screen	23	3290-343	4	Pin-Hair
5	117-7928	1	Adapter ASM	24	41316	1	Adapter-Quick
5:2	100-6989	1	O-Ring	25	100-6714	1	Foot-Tube, Suction
6	110-5082-03	1	Bracket-Anti Siphon	26	108-3270	1	Screw-TAP
7	41140	1	Elbow	27	125-8128	1	Tube-Suction
8	110-5090	1	Grommet	28	100-8649	1	Hose-Suction
9	110-5088	1	Hose-Fill	29	2412-130	2	Clamp-Hose
10	100-6779	1	Coupling-Female	30	3234-7	2	Screw-HHF
11	108-0069	1	Valve-Ball	31	3231-21	2	Screw-CARR
12	110-5224	1	Fitting-Barbed, Straight	32	3234-5	2	Screw-HHF
13	2412-34	1	Clamp-Hose	35	132-7787	1	Coupler-Quick
14	100-8635	6	Fork	36	114-9566	1	Clamp-R
15	117-7996	1	Fork	37	104-8300	1	Nut-HF, NI
16	119-9419	1	Basket-Filter	38	3290-378	1	Tie-Cable
17	125-4081-03	4	Band-Tank	39	136-2272	1	Tubing-Convoluted, Slit
18	3256-24	4	Washer-Plain				



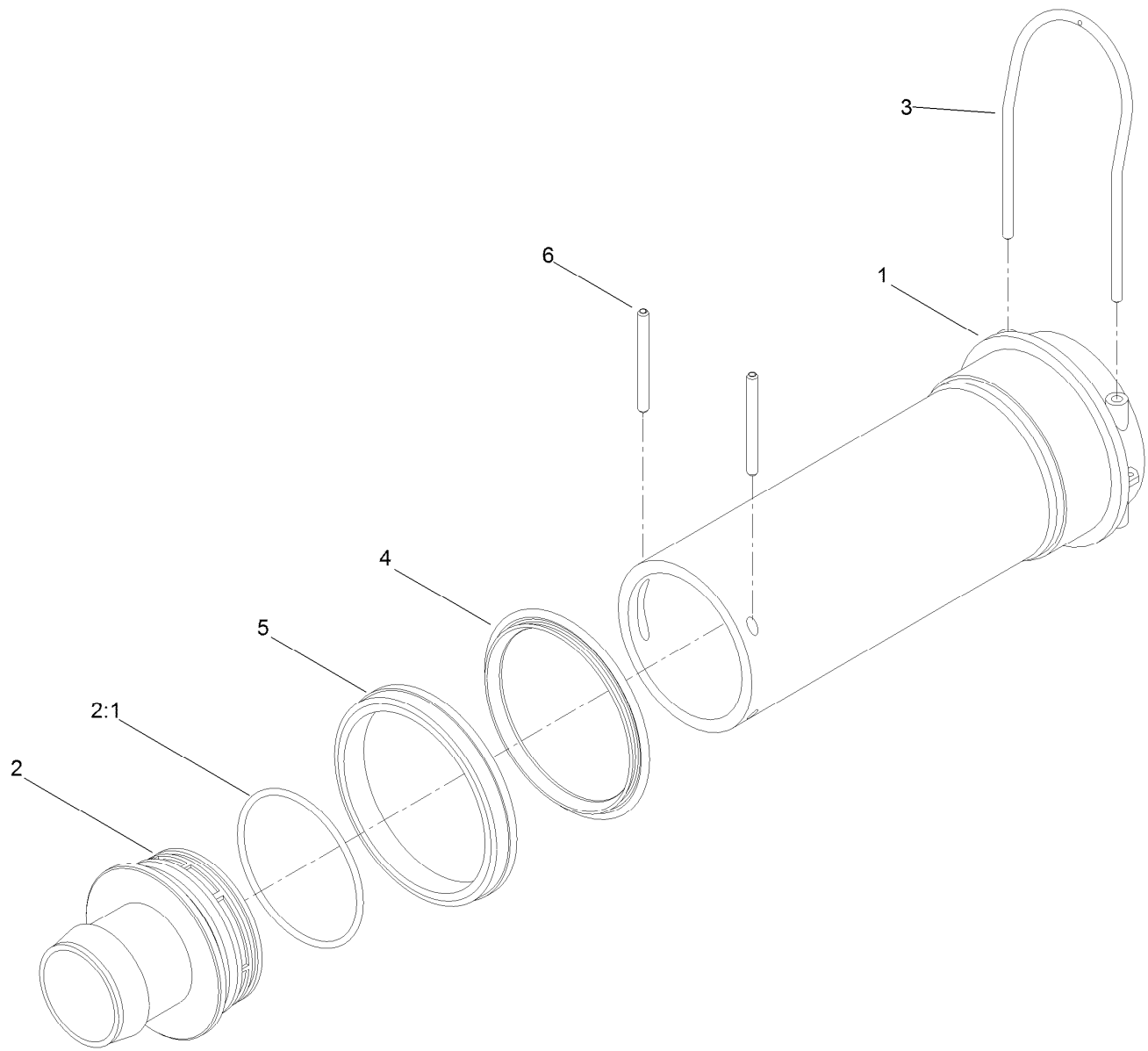
200 Gallon Spray Tank Assembly No. 138-8371

<i>Ref.</i>	<i>Part Number</i>	<i>Qty.</i>	<i>Description</i>	<i>Ref.</i>	<i>Part Number</i>	<i>Qty.</i>	<i>Description</i>
2	108-3358	6	Fitting-Bulkhead	8	107-8635	8	Screw-PFH
2:1	107-2864	1	Gasket-Bulkhead	9	125-8064	2	Decal-Tank
3	106-4933	2	Hosebarb ASM	10	120-0622	1	Decal-Warning
3:1	100-8637	1	O-Ring	11	100-8635	2	Fork
4	117-7851	1	Bulkhead ASM	12	127-3967	1	Shield-Sump, Bottom
4:2	100-8646	1	Gasket-Bulkhead	13	127-3960	1	Shield-Sump, Center
4:3	100-8647	1	Nut-Bulkhead	14	127-3962	1	Shield-Sump, Rear
5	100-7051	6	Nut-Bulkhead	15	127-3961	1	Shield-Sump, Front
6	119-9378	1	Gasket-Lid, Tank	16	127-3988	1	Shield-Sump, Side
7	138-6283	1	Lid ASM - Sprayer Tank				



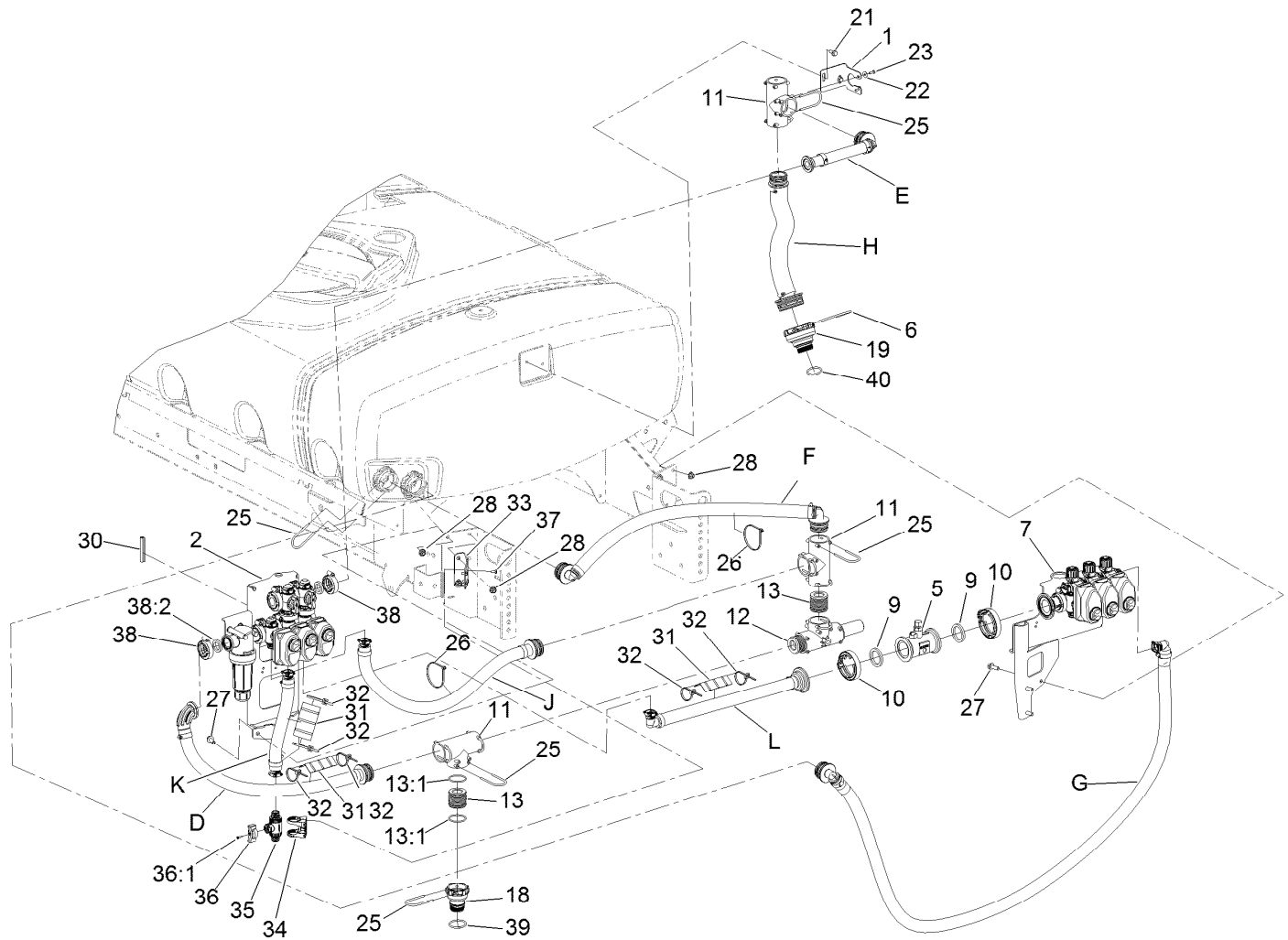
Spray Tank Lid Assembly No. 138-6283

<i>Ref.</i>	<i>Part Number</i>	<i>Qty.</i>	<i>Description</i>
1	119-9381	1	Ring-Lid
2	119-9382	1	Arm-Lid
3	119-9383	1	Vent-Lid
4	119-9384	1	Cover-Lid
5	119-9385	1	Pin-Pivot
6	138-6281	1	Seal - Tank Lid
7	119-9386	2	O-Ring
8	119-9387	1	Cap-Lid



Filter Assembly No. 130-7096

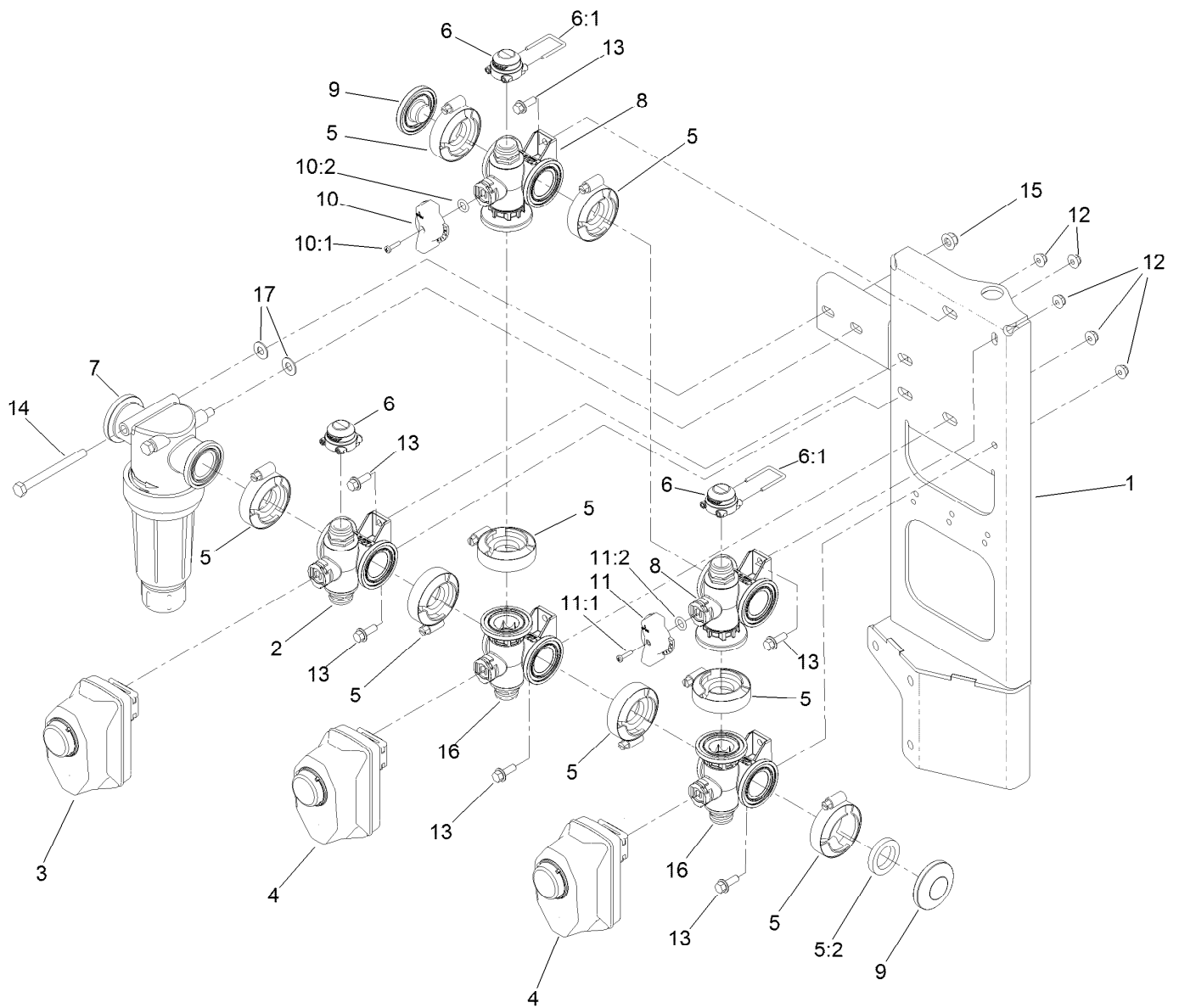
<i>Ref.</i>	<i>Part Number</i>	<i>Qty.</i>	<i>Description</i>
1	100-8643	1	Housing-Filter
2	106-4942	1	Hosebarb-Straight
2:1	100-6989	1	O-Ring
3	100-8636	1	Fork-Special
4	100-8646	1	Gasket-Bulkhead
5	100-8647	1	Nut-Bulkhead
6	100-8644	2	Pin-Expansion



Spray Valve Assembly

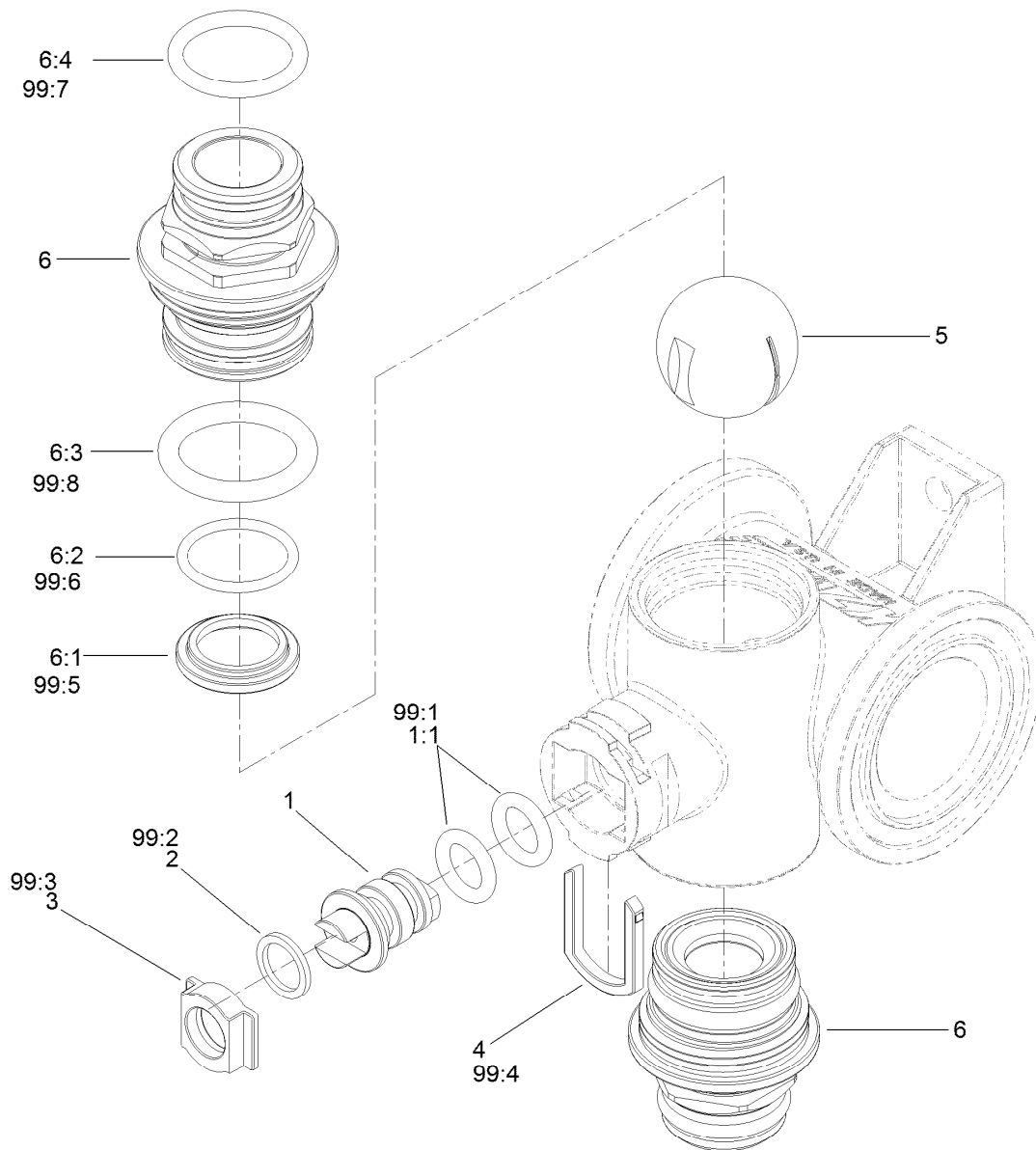
Ref.	Part Number	Qty.	Description	Ref.	Part Number	Qty.	Description
1	131-3704	1	Bracket-Fitting, Tee	25	100-8635	12	Fork
2		1	Manifold ASM - Agitation, Mpwm ●	26	3290-379	2	Tie-Cable
5	138-6128	1	Flow Meter ASM	27	3234-42	6	Screw-HHF
6	117-7996	1	Fork	28	104-8301	6	Nut-HF, NI
7		1	Manifold ASM-Section Valve, Mpwm ●	30	131-9636	1	Trim-Manifold, Agitation
9	104-9090	2	Gasket	31	AU112950	3	Protector-Hose
10	104-9089	2	Clamp-Screw, Worm	32	3290-378	6	Tie-Cable
11	100-6704	3	Tee	33	132-4325-03	1	Mount-Bracket, Agitation
12	117-7874	1	Relief Valve ASM	34	132-4302	1	Mount-Valve
13	106-4947	2	Connector	35	131-0249	1	On/Off 2-Way Valve Kit
13:1	100-8637	2	O-Ring	36	131-0264	1	Agitation Throttling Handle Kit
18	133-2881	1	Fitting	36:1	131-0263	1	Screw-Handle
19	133-2883	1	Fitting	37	33113-012	4	Screw-HH
21	3234-47	2	Screw-HHF	38	127-9829	2	Clamp/Gasket Kit
22	3256-61	2	Washer-Flat	38:2	127-1145	1	Gasket-Flange
23	32144-32	2	Screw-PPH	39	133-2882	1	O-Ring
				40	133-2884	1	O-Ring

● Not serviced separately



Manifold Assembly

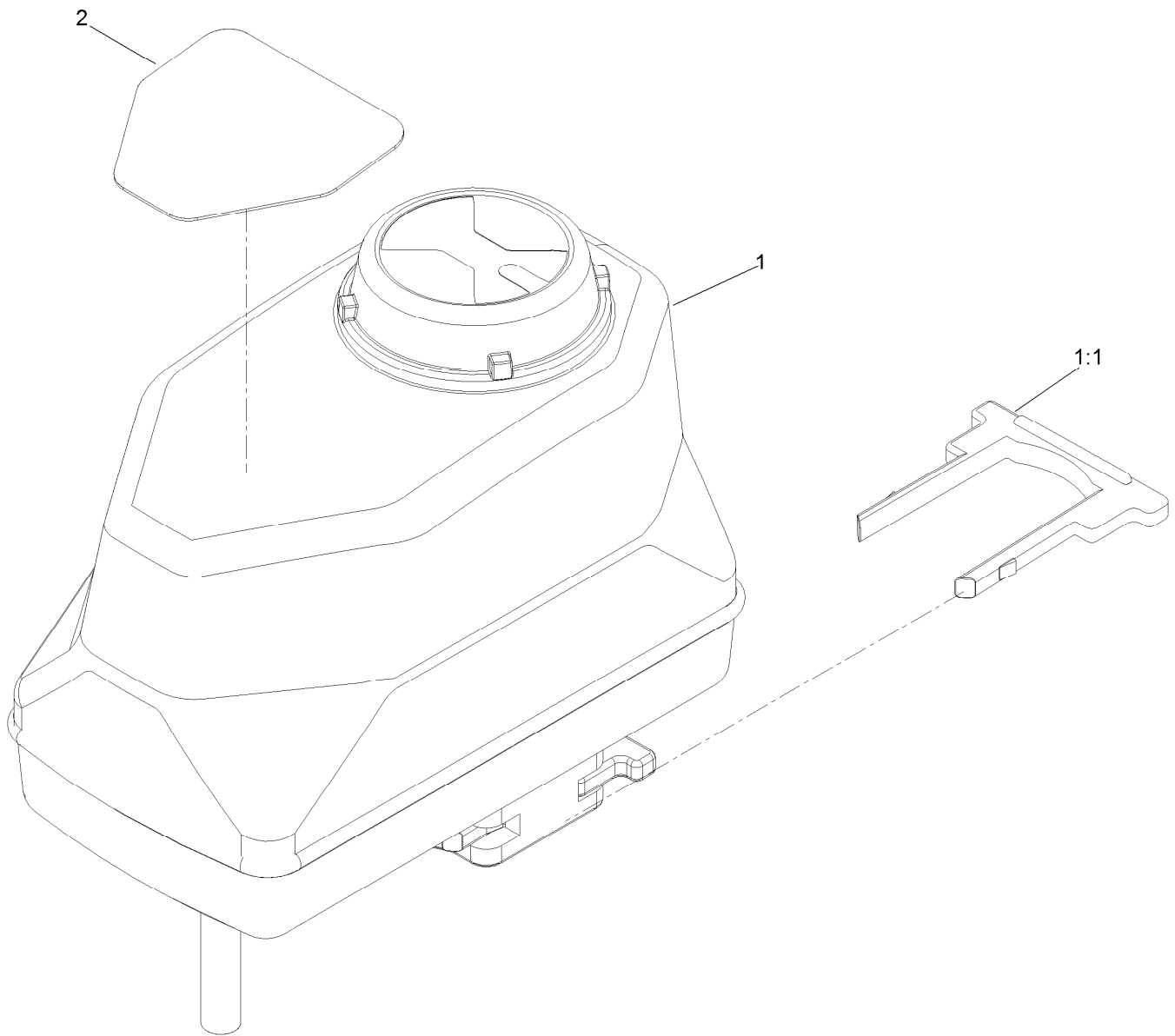
<i>Ref.</i>	<i>Part Number</i>	<i>Qty.</i>	<i>Description</i>	<i>Ref.</i>	<i>Part Number</i>	<i>Qty.</i>	<i>Description</i>
1	137-4292	1	Mount-Valve	10:1	131-0263	1	Screw-Handle
2	127-9804	1	Regulating Valve Body ASM	10:2	127-1197	1	O-Ring-Stem
3	144-6163	1	Kit-Actuator Regulating Pi	11	131-0266	1	Master Regulating Handle Kit
4	140-7377	2	Kit-Actuator Pi, On/Off	11:1	131-0263	1	Screw-Handle
5	127-9829	8	Clamp/Gasket Kit	11:2	127-1197	1	O-Ring-Stem
5:2	127-1145	1	Gasket-Flange	12	104-7201	6	Nut-HF, NI
6	127-9811	3	Fitting-Cap, Female	13	3234-4	6	Screw-HHF
6:1	133-0398	1	Pin-Fork	14	322-22	2	Screw-HH
7	131-3791	1	Filter-Pressure	15	104-8300	2	Nut-HF, NI
8	131-0253	2	Manifold Valve Kit	16	131-7256	2	Manifold Valve Kit
9	127-9815	2	Fitting-Cap	17	107-0279	2	Washer
10	131-0265	1	Agitation Regulating Handle Kit				



Regulating Valve Body Assembly No. 127-9804

<i>Ref.</i>	<i>Part Number</i>	<i>Qty.</i>	<i>Description</i>	<i>Ref.</i>	<i>Part Number</i>	<i>Qty.</i>	<i>Description</i>
1	130-8248	1	Valve Stem Kit	6:4	127-1187	1	O-Ring, Endcap
1:1	127-1197	2	O-Ring-Stem	99	130-7304	1	Valve Repair Kit ●
2	127-1196	1	Washer-Stem, Valve	99:1	127-1197	2	O-Ring-Stem
3	127-1195	1	Seat-Stem, Valve	99:2	127-1196	2	Washer-Stem, Valve
4	127-1190	1	Fork-Stem, Valve	99:3	127-1195	1	Seat-Stem, Valve
5	127-1113	1	Ball-V	99:4	127-1190	1	Fork-Stem, Valve
6	130-7317	2	Endcap Kit	99:5	127-1192	2	Seat-Ball
6:1	127-1192	1	Seat-Ball	99:6	127-1188	2	O-Ring, Seat (Ball)
6:2	127-1188	1	O-Ring, Seat (Ball)	99:7	127-1187	2	O-Ring, Endcap
6:3	127-1189	1	O-Ring, Endcap	99:8	127-1189	2	O-Ring, Endcap

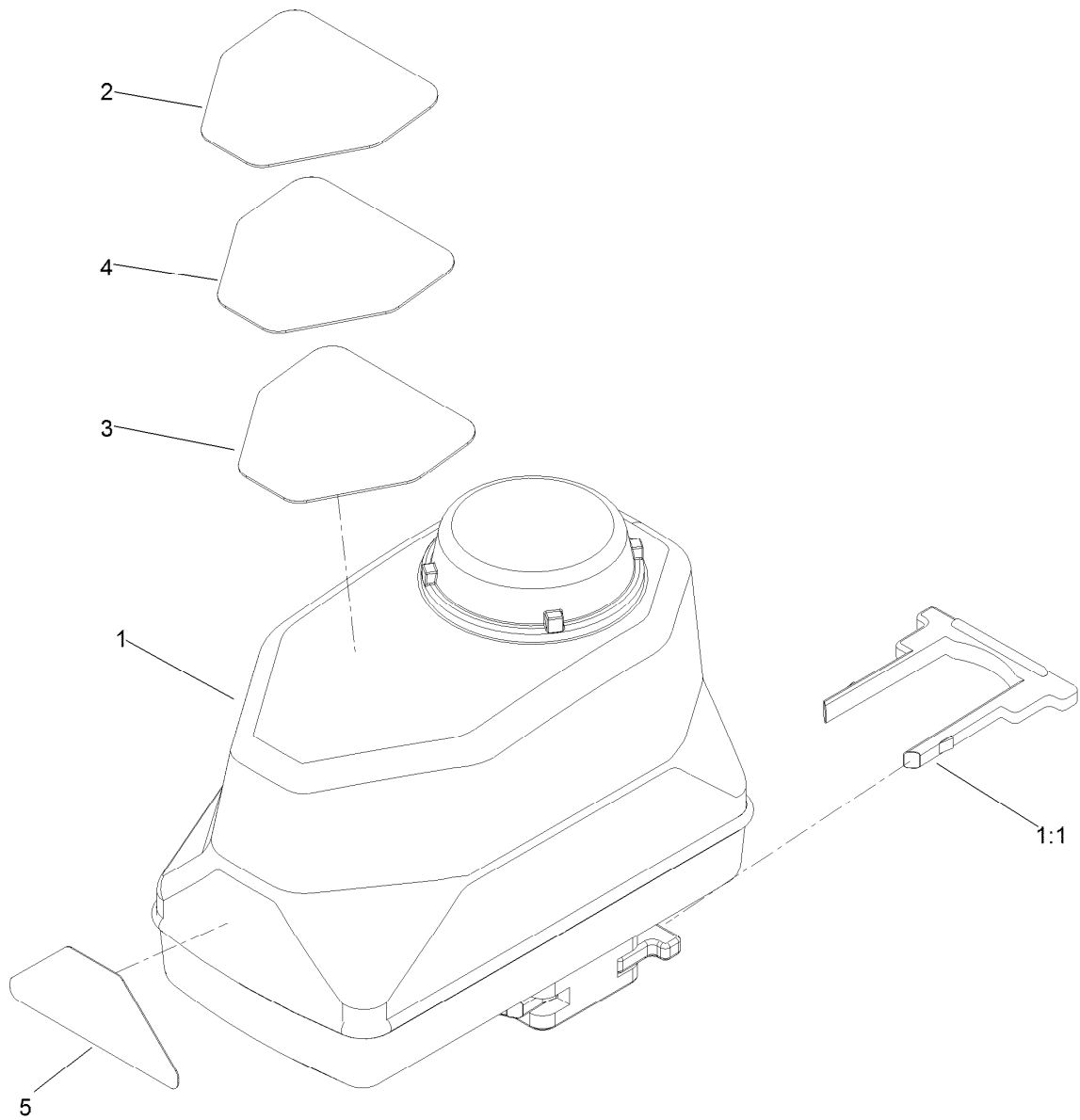
● Not illustrated



Regulating Actuator Assembly No. 144-6163

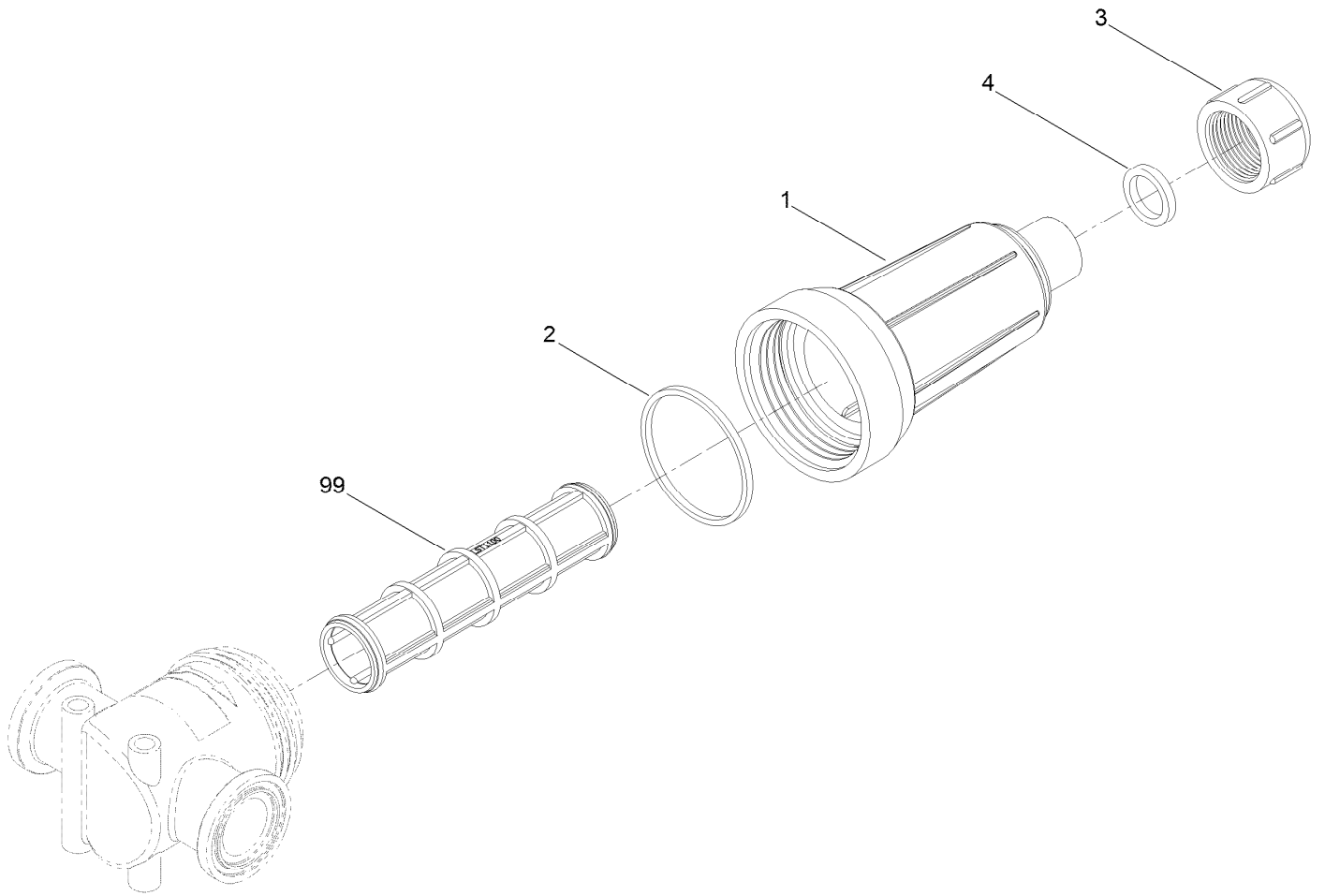
<i>Ref.</i>	<i>Part Number</i>	<i>Qty.</i>	<i>Description</i>
1		1	Actuator-Regulating Pi ●
1:1	130-7301	1	Hairpin-Actuator
2	127-6984	1	Decal-Valve, Regulating

● Not serviced separately



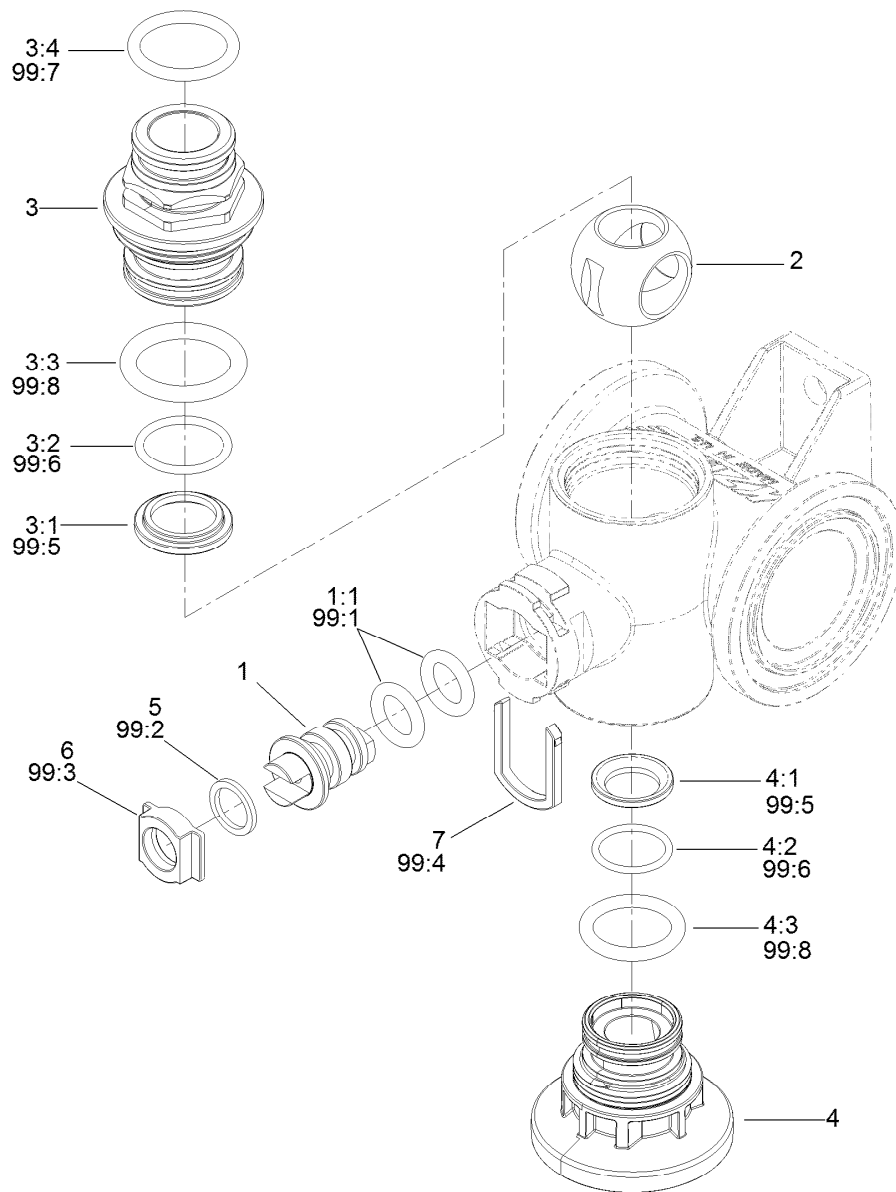
Actuator On/Off Assembly No. 140-7377

<i>Ref.</i>	<i>Part Number</i>	<i>Qty.</i>	<i>Description</i>
1	140-7315	1	Actuator - On/Off
1:1	130-7301	1	Hairpin-Actuator
2	127-6979	1	Decal-Valve, Agitation
3	127-6981	1	Decal-Valve, On/Off
4	127-6982	1	Decal-Valve, Master Boom
5	127-6976	1	Decal-Valve, Bypass Adjust



Pressure Filter Assembly No. 131-3791

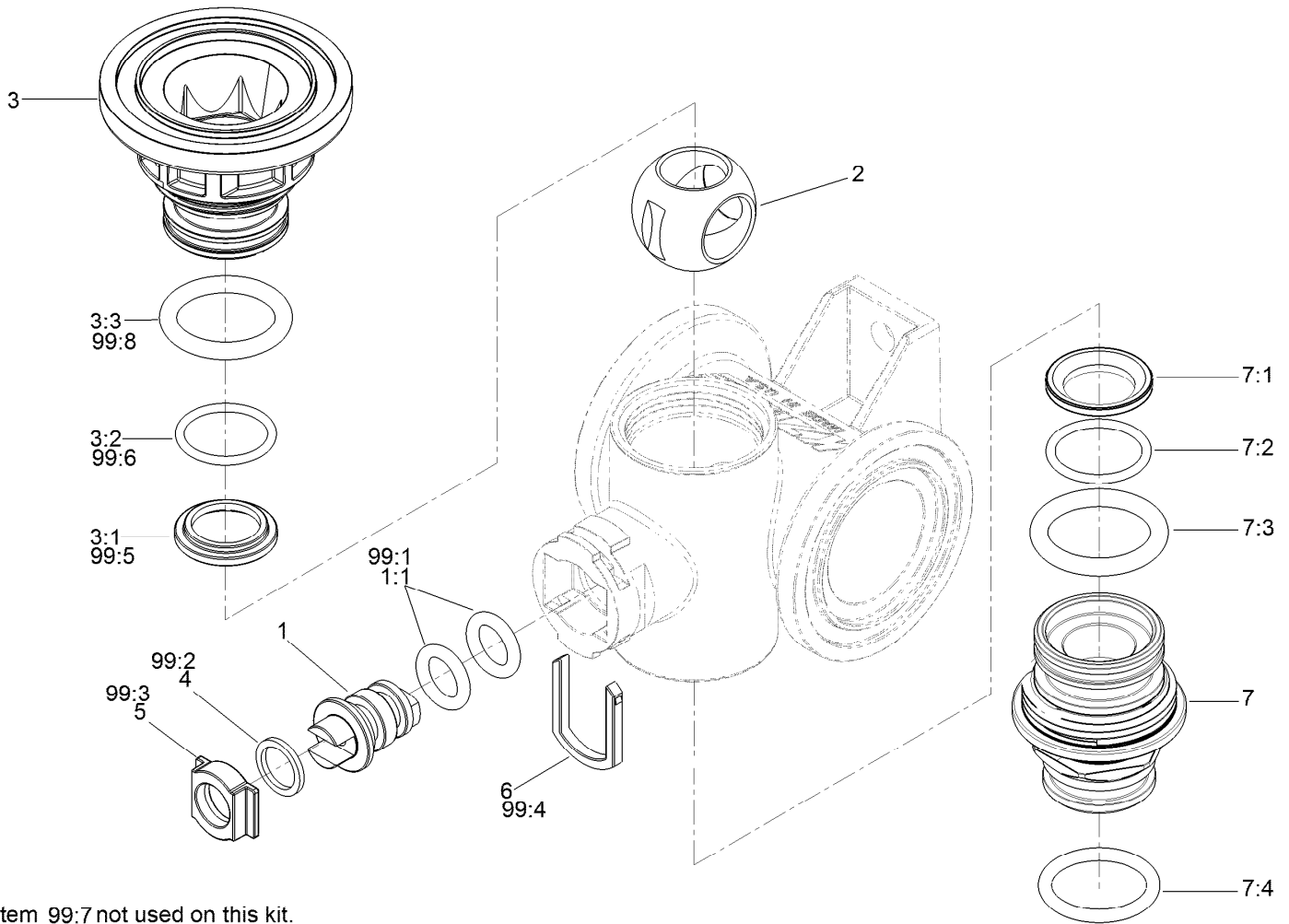
<i>Ref.</i>	<i>Part Number</i>	<i>Qty.</i>	<i>Description</i>
1	136-0397	1	Bowl-Strainer
2	136-0398	1	Rubber-Gasket
3	136-0410	1	Strainer Cap
4	136-0399	1	Rubber-Gasket
99	133-0384	1	Screen-Teejet, 30 Mesh
99	133-0385	1	Screen-Teejet, 50 Mesh
99	133-0386	1	Screen-Teejet, 80 Mesh
99	133-0387	1	Screen-Teejet, 100 Mesh



Manifold Valve Kit No. 131-0253

<i>Ref.</i>	<i>Part Number</i>	<i>Qty.</i>	<i>Description</i>	<i>Ref.</i>	<i>Part Number</i>	<i>Qty.</i>	<i>Description</i>
1	130-8248	1	Valve Stem Kit	5	127-1196	1	Washer-Stem, Valve
1:1	127-1197	2	O-Ring-Stem	6	127-1195	1	Seat-Stem, Valve
2	127-1113	1	Ball-V	7	127-1190	1	Fork-Stem, Valve
3	130-7317	1	Endcap Kit	99	130-7304	1	Valve Repair Kit ●
3:1	127-1192	1	Seat-Ball	99:1	127-1197	2	O-Ring-Stem
3:2	127-1188	1	O-Ring, Seat (Ball)	99:2	127-1196	2	Washer-Stem, Valve
3:3	127-1189	1	O-Ring, Endcap	99:3	127-1195	1	Seat-Stem, Valve
3:4	127-1187	1	O-Ring, Endcap	99:4	127-1190	1	Fork-Stem, Valve
4	130-8249	1	Endcap Kit	99:5	127-1192	2	Seat-Ball
4:1	127-1192	1	Seat-Ball	99:6	127-1188	2	O-Ring, Seat (Ball)
4:2	127-1188	1	O-Ring, Seat (Ball)	99:7	127-1187	2	O-Ring, Endcap
4:3	127-1189	1	O-Ring, Endcap	99:8	127-1189	2	O-Ring, Endcap

● Not illustrated

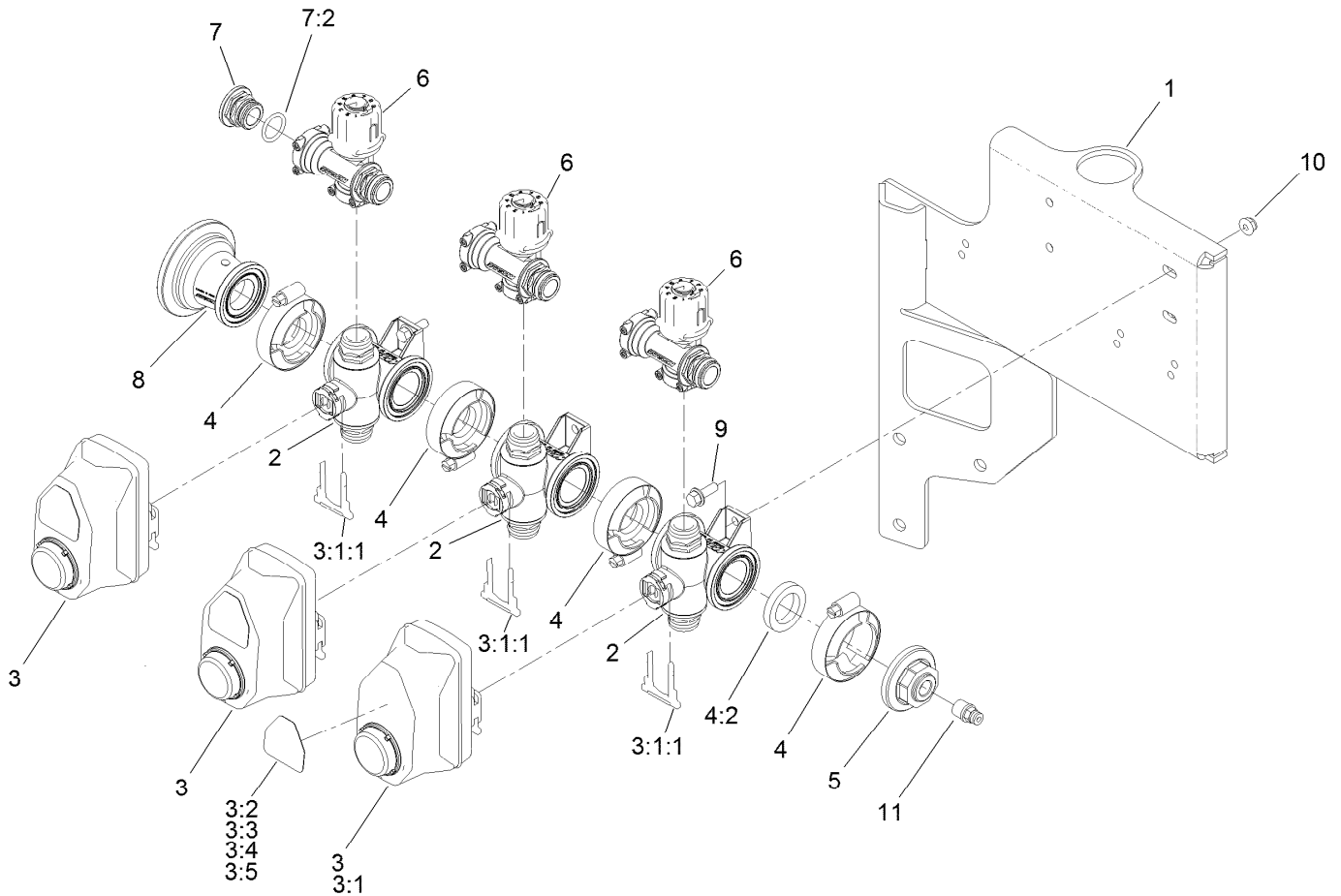


Item 99:7 not used on this kit.

Manifold Valve Kit No. 131-7256

Ref.	Part Number	Qty.	Description	Ref.	Part Number	Qty.	Description
1	130-8248	1	Valve Stem Kit	7:2	127-1188	1	O-Ring, Seat (Ball)
1:1	127-1197	2	O-Ring-Stem	7:3	127-1189	1	O-Ring, Endcap
2	127-1194	1	Ball-Valve, 3Way	7:4	127-1187	1	O-Ring, Endcap
3	130-8249	1	Endcap Kit	99	130-7304	1	Valve Repair Kit ●
3:1	127-1192	1	Seat-Ball	99:1	127-1197	2	O-Ring-Stem
3:2	127-1188	1	O-Ring, Seat (Ball)	99:2	127-1196	2	Washer-Stem, Valve
3:3	127-1189	1	O-Ring, Endcap	99:3	127-1195	1	Seat-Stem, Valve
4	127-1196	1	Washer-Stem, Valve	99:4	127-1190	1	Fork-Stem, Valve
5	127-1195	1	Seat-Stem, Valve	99:5	127-1192	2	Seat-Ball
6	127-1190	1	Fork-Stem, Valve	99:6	127-1188	2	O-Ring, Seat (Ball)
7	130-7317	1	Endcap Kit	99:7	127-1187	2	O-Ring, Endcap
7:1	127-1192	1	Seat-Ball	99:8	127-1189	2	O-Ring, Endcap

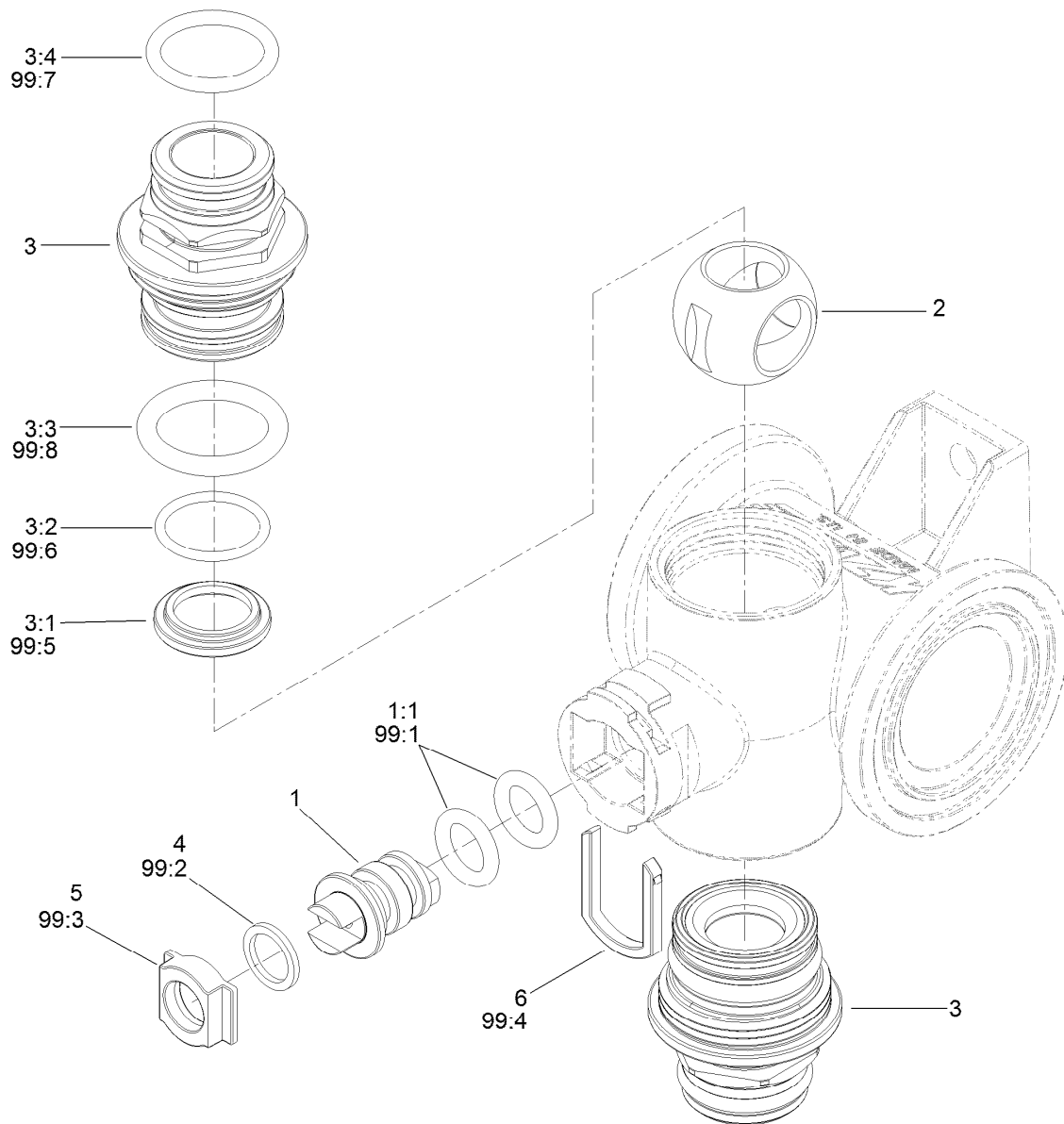
● Not illustrated



Section Manifold Valve Assembly

Ref.	Part Number	Qty.	Description	Ref.	Part Number	Qty.	Description
1	131-0258	1	Mount-Valves, Boom	4:2	127-1145	1	Gasket-Flange
2	127-9803	3	On/Off Manifold Valve Kit	5	127-1185	1	Fitting-Cap, Port
3	140-7377	3	Kit-Actuator Pi, On/Off	6	127-9805	3	Bypass Valve ASM
3:1		1	Actuator - On/Off ●	7	127-9810	1	Male Cap Fitting Kit
3:1:1	130-7301	1	Hairpin-Actuator	7:2	127-1187	1	O-Ring, Endcap
3:2	127-6979	1	Decal-Valve, Agitation	8	127-1144	1	Fitting-Adapter
3:3	127-6981	1	Decal-Valve, On/Off	9	3234-4	4	Screw-HHF
3:4	127-6982	1	Decal-Valve, Master Boom	10	104-7201	4	Nut-HF, NI
3:5	127-6976	1	Decal-Valve, Bypass Adjust	11	131-3709	1	Coupler
4	127-9829	4	Clamp/Gasket Kit				

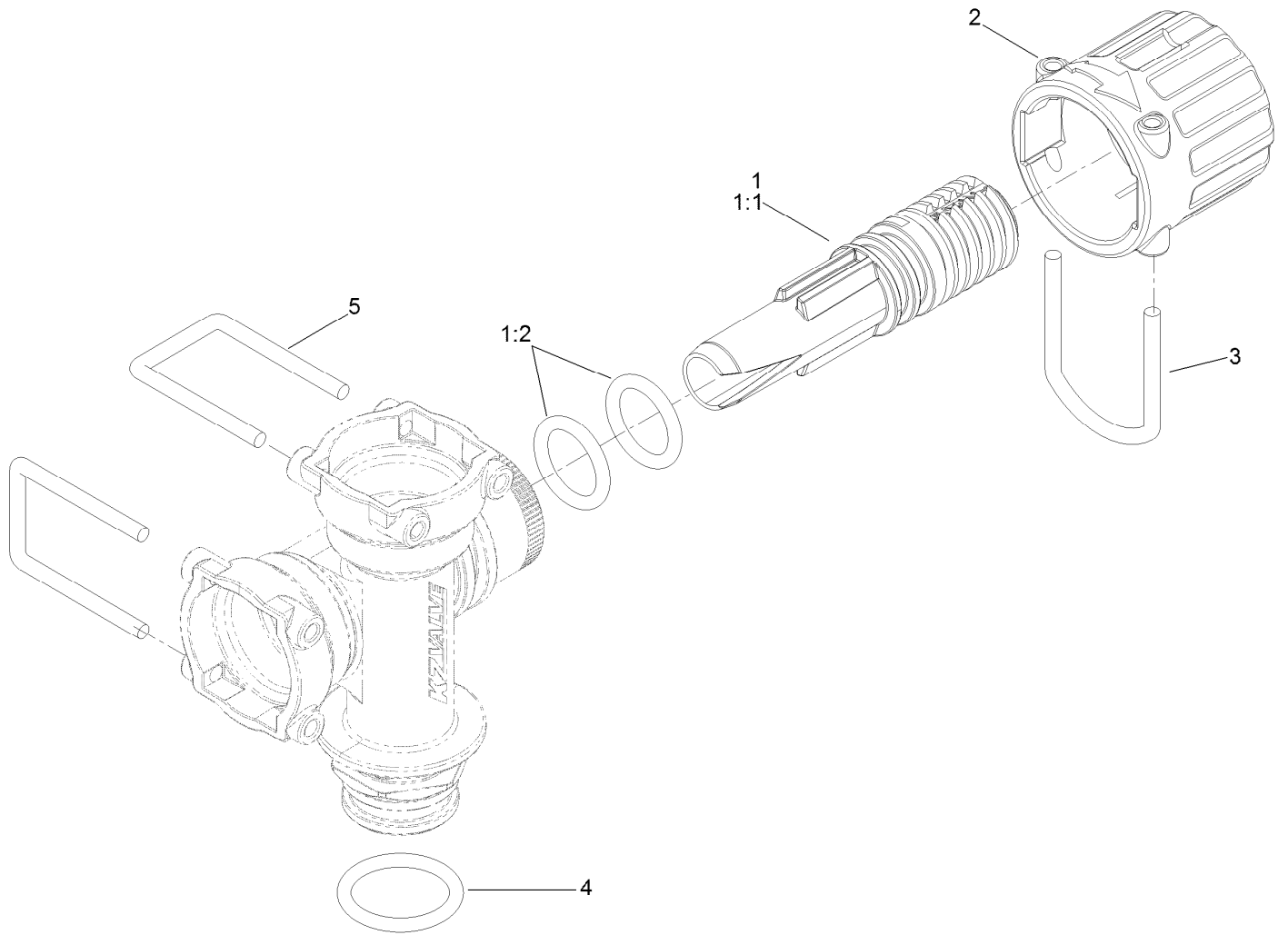
● Not serviced separately



On/Off Manifold Valve Kit No. 127-9803

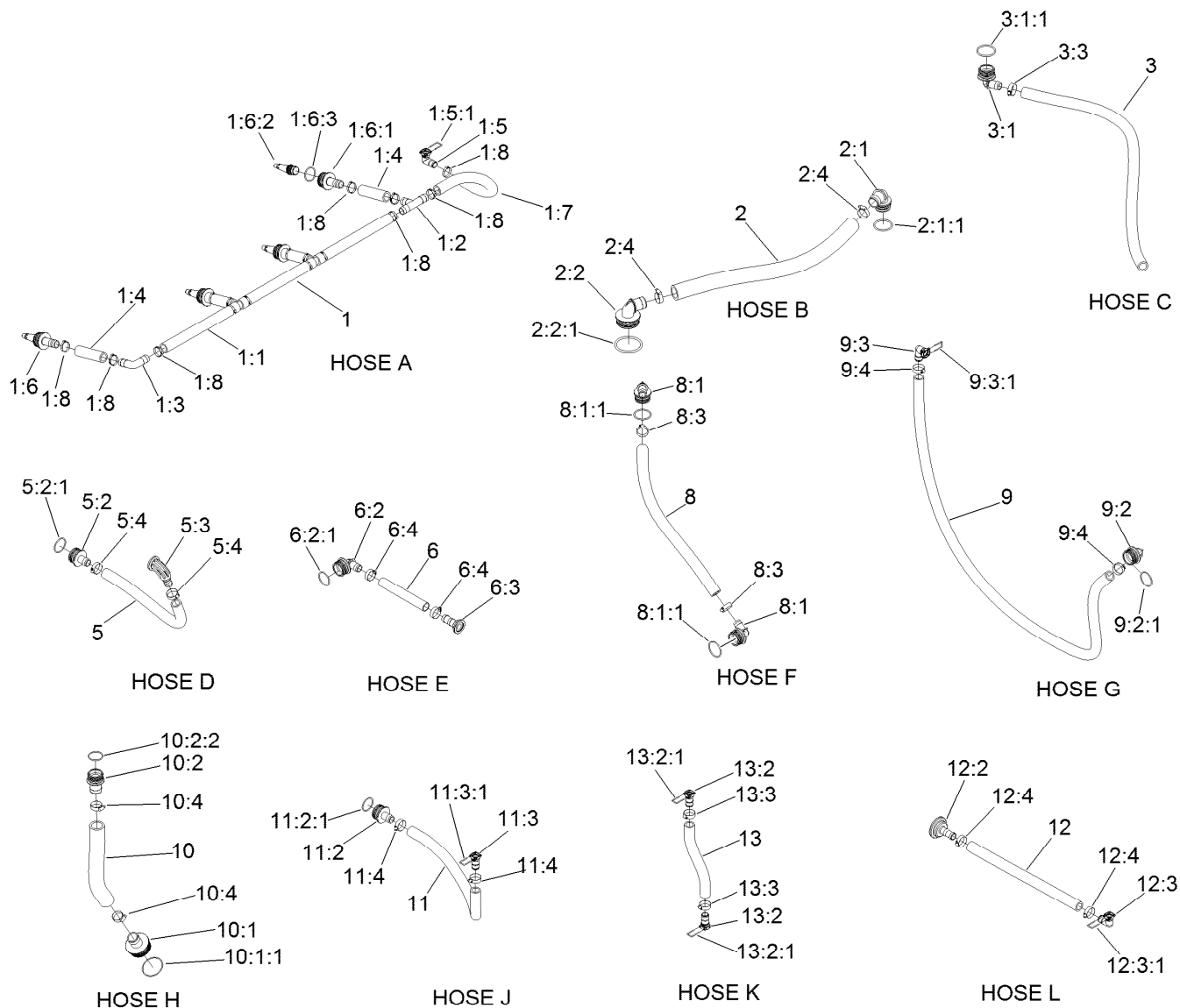
<i>Ref.</i>	<i>Part Number</i>	<i>Qty.</i>	<i>Description</i>	<i>Ref.</i>	<i>Part Number</i>	<i>Qty.</i>	<i>Description</i>
1	130-8248	1	Valve Stem Kit	6	127-1190	1	Fork-Stem, Valve
1:1	127-1197	2	O-Ring-Stem	99	130-7304	1	Valve Repair Kit ●
2	127-1194	1	Ball-Valve, 3Way	99:1	127-1197	2	O-Ring-Stem
3	130-7317	2	Endcap Kit	99:2	127-1196	2	Washer-Stem, Valve
3:1	127-1192	1	Seat-Ball	99:3	127-1195	1	Seat-Stem, Valve
3:2	127-1188	1	O-Ring, Seat (Ball)	99:4	127-1190	1	Fork-Stem, Valve
3:3	127-1189	1	O-Ring, Endcap	99:5	127-1192	2	Seat-Ball
3:4	127-1187	1	O-Ring, Endcap	99:6	127-1188	2	O-Ring, Seat (Ball)
4	127-1196	1	Washer-Stem, Valve	99:7	127-1187	2	O-Ring, Endcap
5	127-1195	1	Seat-Stem, Valve	99:8	127-1189	2	O-Ring, Endcap

● Not illustrated



Bypass Valve Assembly No. 127-9805

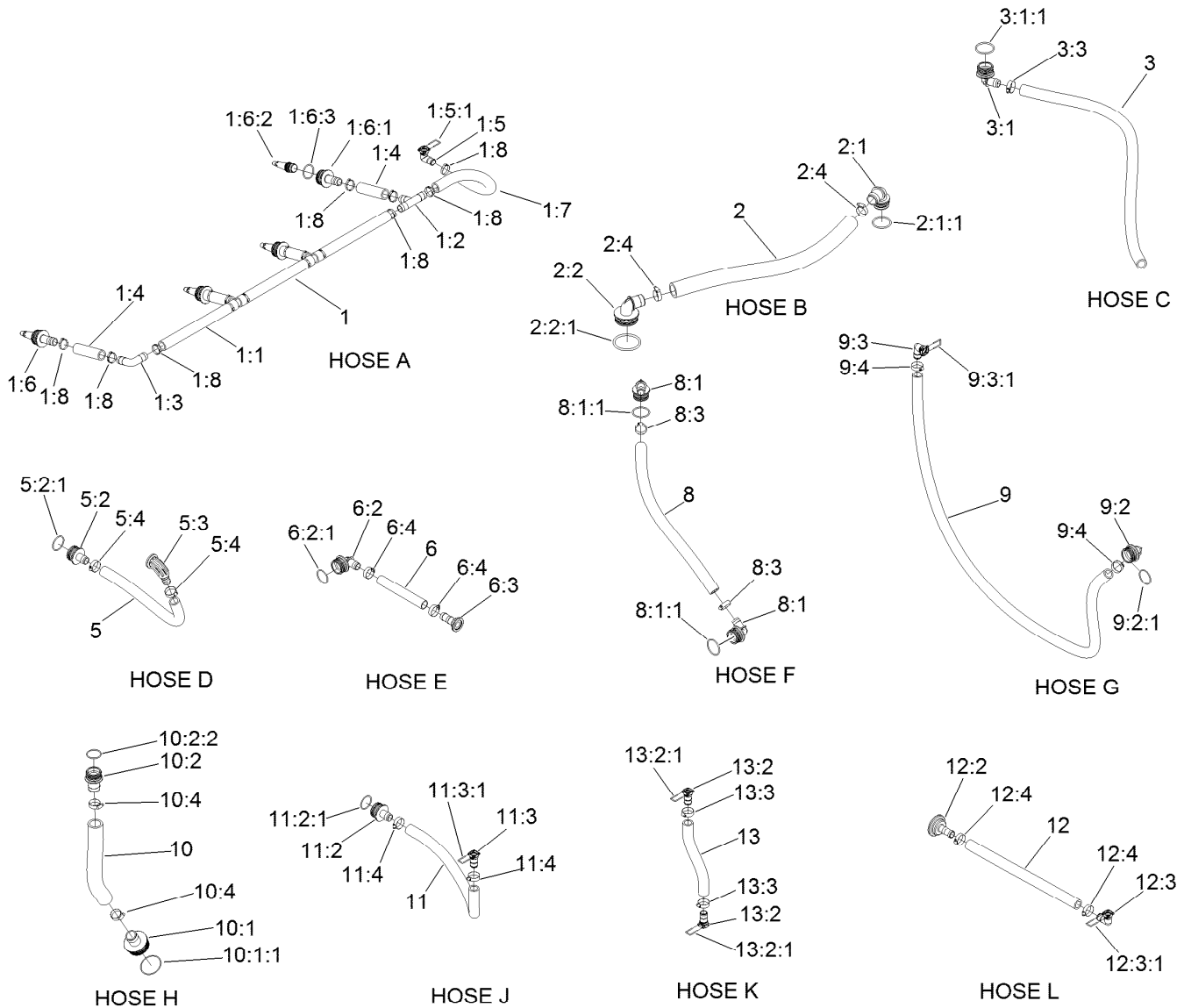
<i>Ref.</i>	<i>Part Number</i>	<i>Qty.</i>	<i>Description</i>
1	131-0298	1	Bypass Needle Kit
1:1	127-1182	1	Needle-Bypass
1:2	127-1181	2	Oring-Bypass Needle
2	127-1180	1	Knob-Bypass
3	127-1179	1	Fork-Bypass Knob
4	127-1187	1	O-Ring, Endcap
5	133-0398	2	Pin-Fork



Reference **Spray Tank Assembly** page and **Spray Tank Valve Assembly** page for hose locations and orientation

Hose Assembly

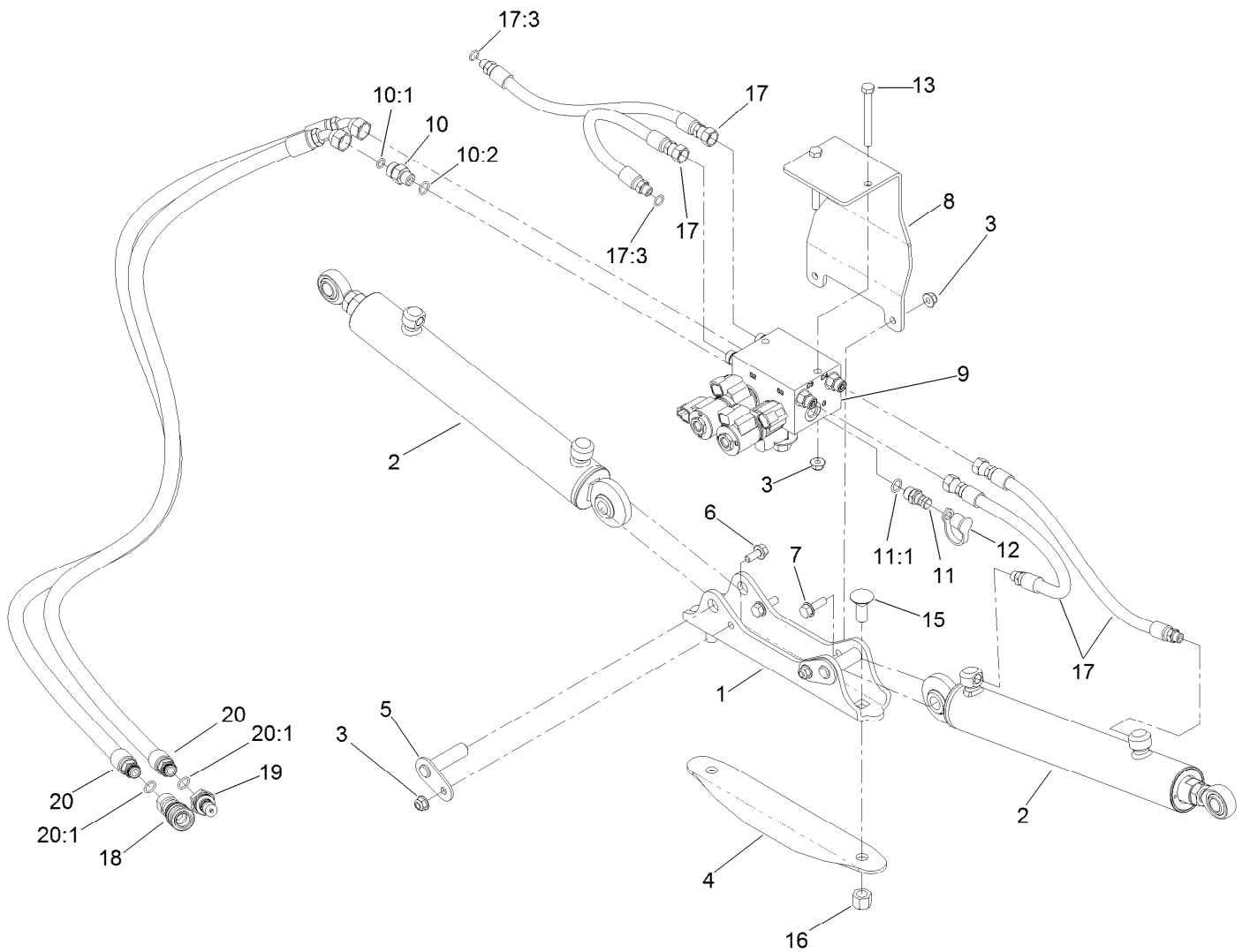
Ref.	Part Number	Qty.	Description	Ref.	Part Number	Qty.	Description
1	139-3095	1	Hose-Agitation, ASM	3:1:1	100-8637	1	O-Ring
1:1	117-7862	3	Hose-Main Agitation	3:3	2412-34	1	Clamp-Hose
1:2	117-7866	3	Tee-Hosebarb	5	132-4329	1	Hose-Supply
1:3	117-7867	1	Elbow-Hosebarb	5:2	106-4932	1	Hosebarb-Straight
1:4	119-0441	4	Hose-Agitaiton	5:2:1	100-8637	1	O-Ring
1:5	131-0213	1	90 DEG Barb Fitting Kit	5:3	131-0241	1	Fitting-Elb 90
1:5:1	133-0398	1	Pin-Fork	5:4	2412-34	2	Clamp-Hose
1:6	131-3731	4	Agitation Nozzle ASM	6	132-4331	1	Hose-Agitation, Bypass
1:6:1	131-3732	1	Fitting-Barb	6:2	106-4933	1	Hosebarb ASM
1:6:2	120-8579	1	Nozzle-Agitation	6:2:1	100-8637	1	O-Ring
1:6:3	121-4996	1	O-Ring	6:3	127-1142	1	Fitting-STR
1:7	131-3785	1	Hose-Supply	6:4	2412-34	2	Clamp-Hose
1:8	2412-34	16	Clamp-Hose	8	125-0639	1	Regulating Hose ASM
2	125-0645	1	Upper Suction Hose ASM	8:1	106-4933	2	Hosebarb ASM
2:1	110-5156	1	Suction Elbow ASM	8:1:1	100-8637	1	O-Ring
2:1:1	100-8637	1	O-Ring	8:3	2412-34	2	Clamp-Hose
2:2	106-4952	1	Hosebarb-90 DEG	9	132-4333	1	Hose-Bypass
2:2:1	100-6989	1	O-Ring	9:2	106-4933	1	Hosebarb ASM
2:4	41327	2	Clamp-Hose	9:2:1	100-8637	1	O-Ring
3	133-2868	1	Drain Hose ASM	9:3	131-0213	1	90 DEG Barb Fitting Kit
3:1	106-4933	1	Hosebarb ASM	9:3:1	133-0398	1	Pin-Fork



Reference **Spray Tank Assembly** page and **Spray Tank Valve Assembly** page for hose locations and orientation

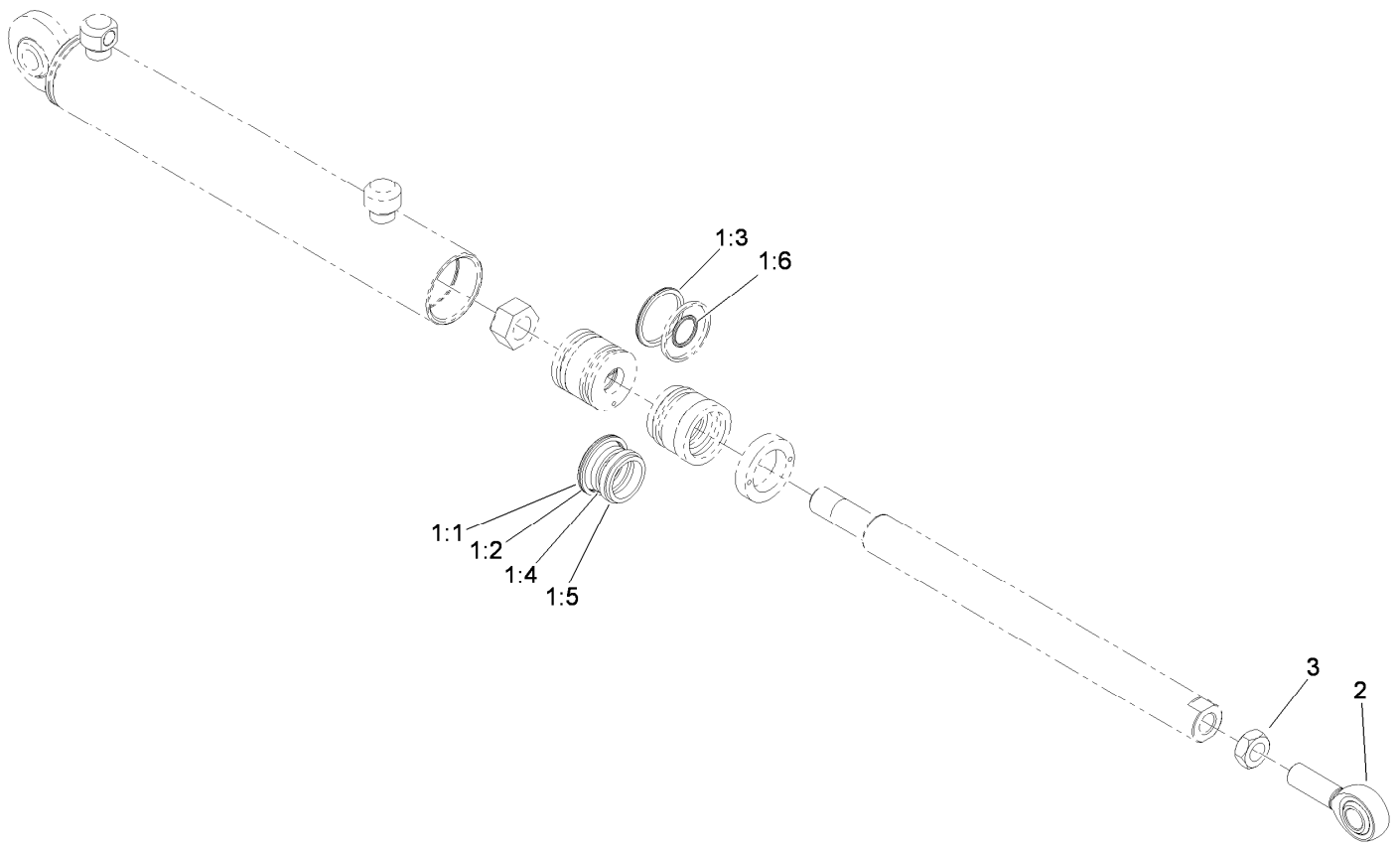
Hose Assembly (continued)

Ref.	Part Number	Qty.	Description	Ref.	Part Number	Qty.	Description
9:4	2412-34	2	Clamp-Hose	11:3:1	133-0398	1	Pin-Fork
10	125-0643	1	Lower Suction Hose ASM	11:4	2412-34	2	Clamp-Hose
10:1	117-7965	1	Hosebarb ASM	12	132-4332	1	Hose-Master
10:1:1	100-6989	1	O-Ring	12:2	107-8704	1	Hosebarb
10:2	117-7982	1	Hosebarb ASM	12:3	131-0213	1	90 DEG Barb Fitting Kit
10:2:2	100-8637	1	O-Ring	12:3:1	133-0398	1	Pin-Fork
10:4	41327	2	Clamp-Hose	12:4	2412-34	2	Clamp-Hose
11	132-4330	1	Hose-Regulating	13	132-4326	1	Hose-Agitation, Supply
11:2	106-4932	1	Hosebarb-Straight	13:2	127-9806	2	Fitting Kit
11:2:1	100-8637	1	O-Ring	13:2:1	133-0398	1	Pin-Fork
11:3	127-9806	1	Fitting Kit	13:3	2412-34	2	Clamp-Hose



Boom Lift Assembly

Ref.	Part Number	Qty.	Description	Ref.	Part Number	Qty.	Description
1	119-4856-03	1	Plate-Mount, Cylinders	11	59-7410	1	Fitting-Diagnostic
2	117-0701	2	Hydraulic Cylinder ASM	11:1	237-42	1	O-Ring
3	104-8300	6	Nut-HF, NI	12	354-79	1	Cap-Dust
4	131-0297-03	1	Plate-Stiffener, Boom	13	322-14	2	Screw-HH
5	112-7884	2	Pin-Pivot	15	110-5067	2	Screw-CARR
6	110-5053	2	Screw-HHF	16	99-5107	2	Nut-Lock
7	3234-29	2	Screw-HHF	17	119-4859	4	Hose ASM
8	130-8201-03	1	Mount-Valve	17:3	237-78	1	O-Ring
9	136-2400	1	On-Off Boom Lift Valve ASM	18	106-7968	1	Coupler-Quick, Female
10	340-2	2	Fitting-Straight	19	106-7969	1	Coupler-Quick, Male
10:1	237-22	1	O-Ring	20	127-9717	2	Hose ASM
10:2	237-42	1	O-Ring	20:1	237-42	1	O-Ring

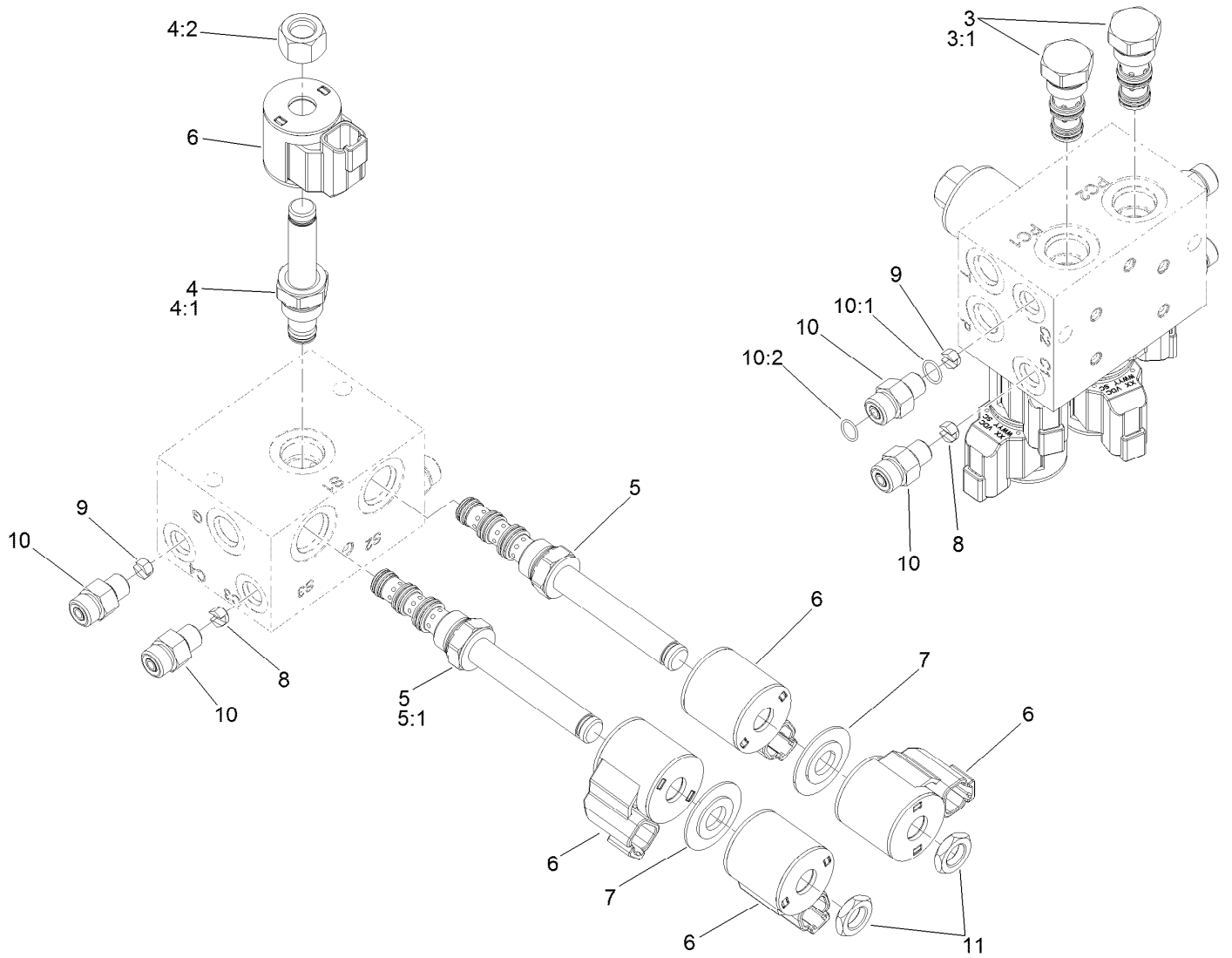


Hydraulic Cylinder Assembly No. 117-0701

<i>Ref.</i>	<i>Part Number</i>	<i>Qty.</i>	<i>Description</i>
1	119-8026	1	Seal Kit ●
1:1		1	O-Ring ■
1:2		1	Ring-Backup ■
1:3		1	Bp Seal ■
1:4		1	Bs Seal ■
1:5		1	Dust Seal ■
1:6		1	O-Ring ■
2	119-8027	1	Rod End
3	3220-6	1	Nut-Jam

● Not illustrated

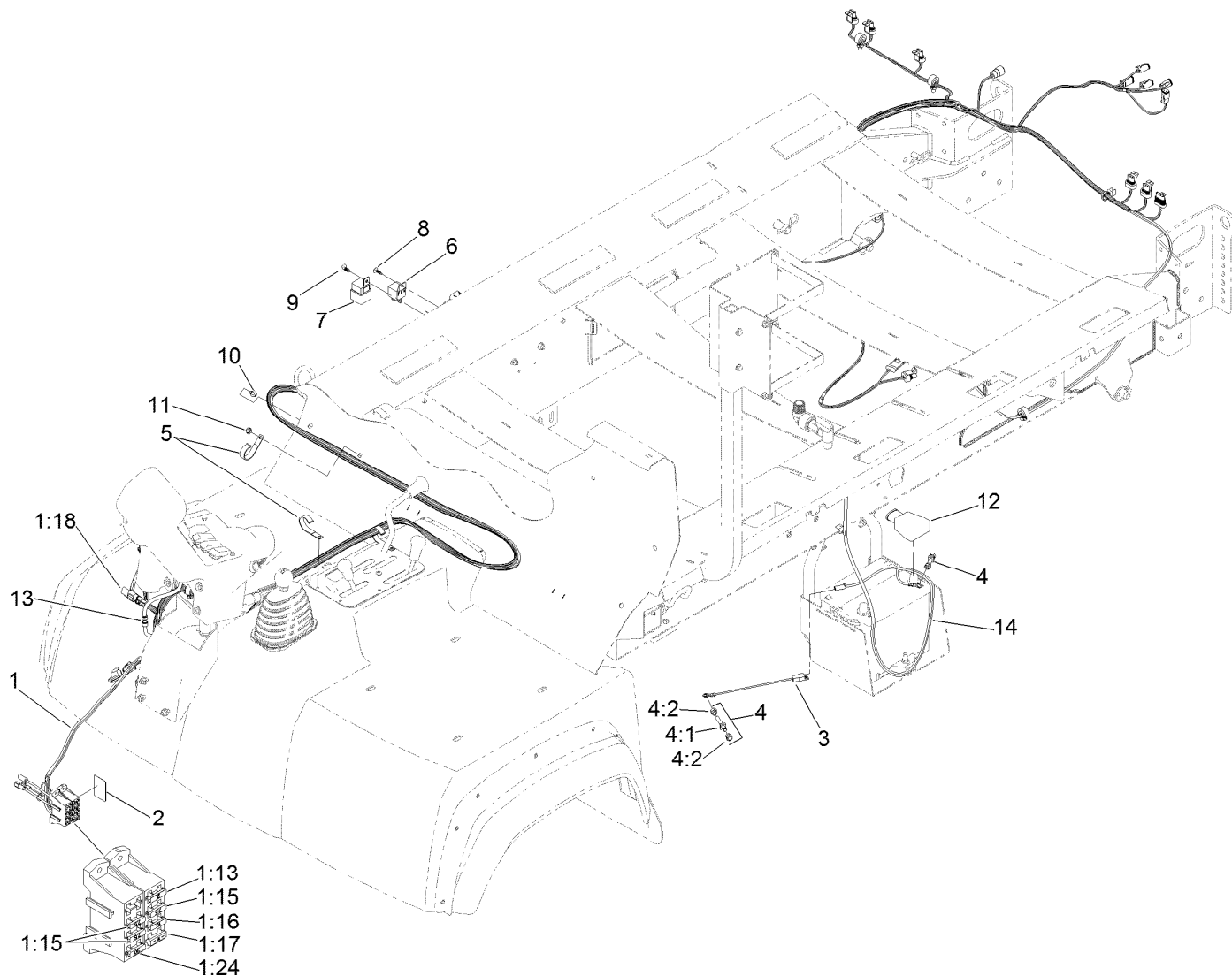
■ Not serviced separately



On-Off Boom Lift Valve Assembly No. 136-2400

Ref.	Part Number	Qty.	Description
3	136-2430	2	Valve-Check, Po
3:1	120-0886	1	Seal Kit
4	107-7517	1	Valve-Solenoid
4:1	105-9156	1	Seal Kit
4:2	107-7812	1	Nut-Solenoid
5	120-2587	2	Valve-Solenoid
5:1	112-6520	1	Seal Kit ●
6	119-8036	5	Coil
7	120-2586	2	Spacer-Coil
8	110-8903	2	Orifice-Control, Flow (0.055)
9	125-8849	2	Orifice-Flow Control
10	340-92	4	Fitting-Straight
10:1	237-78	1	O-Ring
10:2	237-21	1	O-Ring
11	110-2634	2	Nut-Coil

● Not illustrated

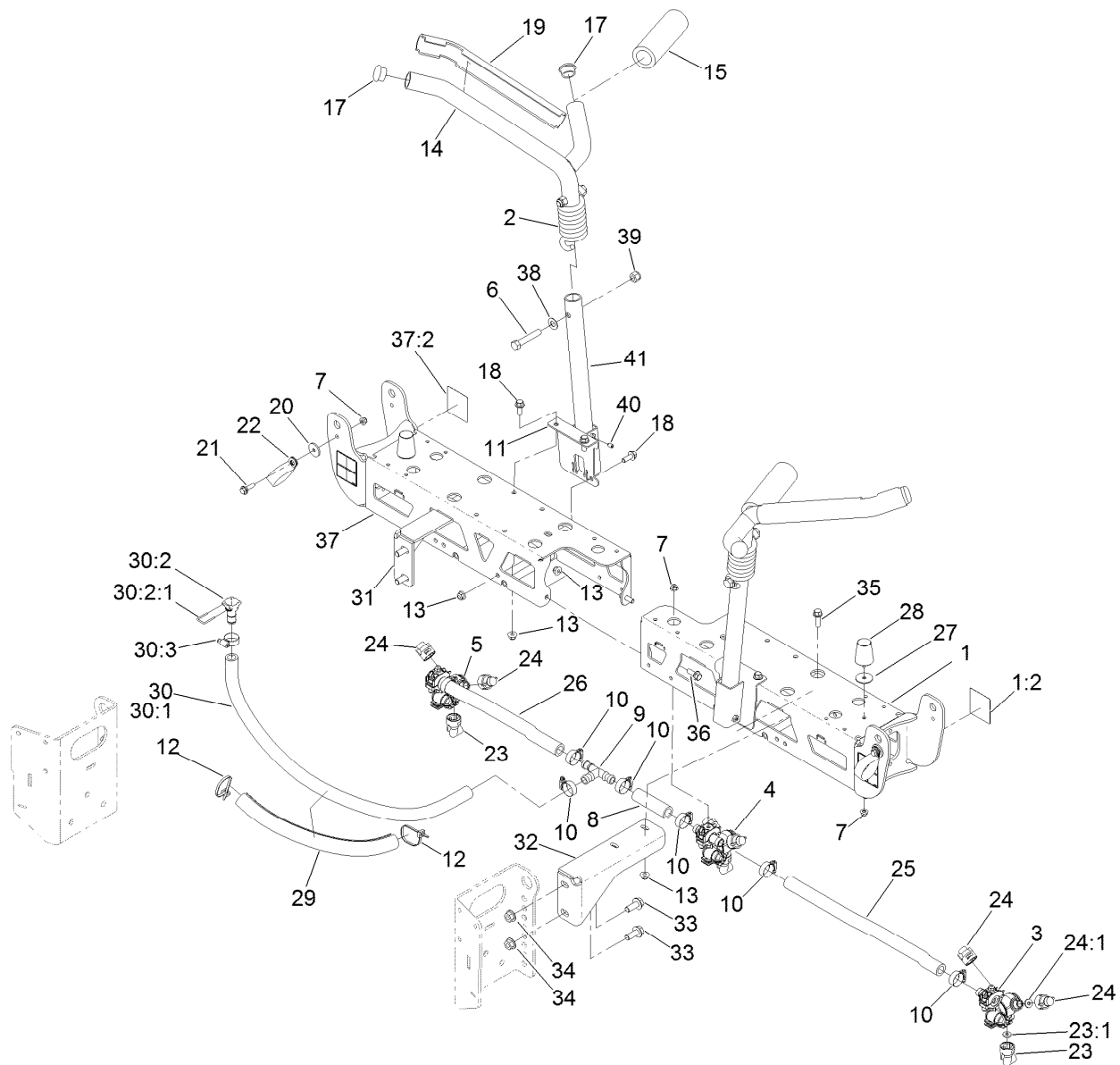


Electrical Assembly

<i>Ref.</i>	<i>Part Number</i>	<i>Qty.</i>	<i>Description</i>
1	122-1444	1	Harness-Wire
1:13	94-6710	1	Fuse-2 Amp
1:15	114241	2	Fuse-Blade, 7.5 Amp
1:16	218-578	1	Fuse-Blade, 10 Amp
1:17	109355	1	Fuse-Blade, 15 Amp
1:18	32180-043	2	Resistor-120 Ohm
1:24	109103	1	Fuse-Blade, 30 Amp
2	127-3966	1	Decal-Fuse Block
3	108-9455	1	Harness-Wire, Fusible Link
4	112-9921	2	Bolt ASM
4:1	32180-107	1	Bolt-Clamp, Battery ●

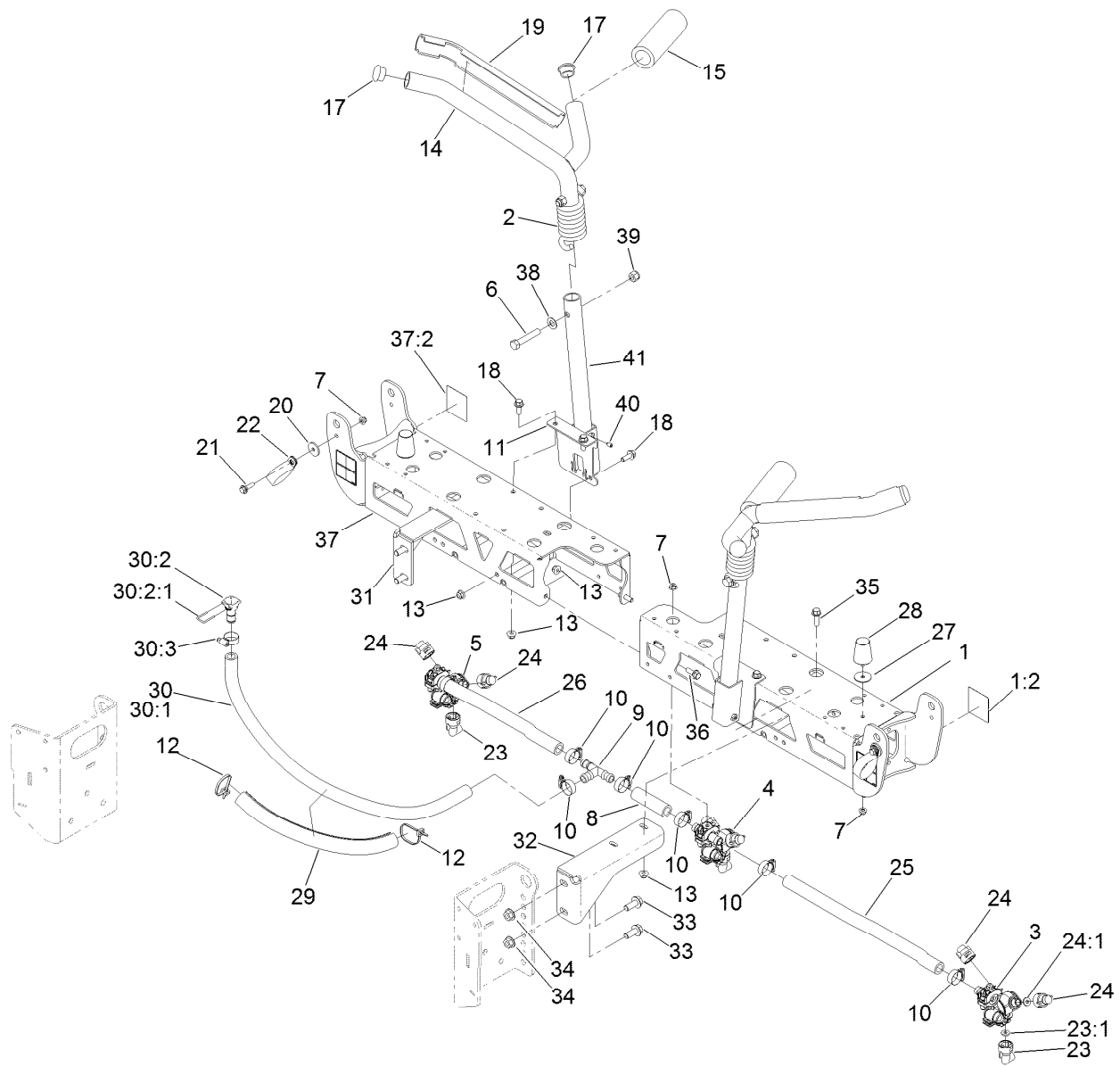
<i>Ref.</i>	<i>Part Number</i>	<i>Qty.</i>	<i>Description</i>
4:2	32180-108	2	Nut-Hex Shoulder ●
5	106-1429	3	Clamp-J
6	99-7435	1	Relay
7	99-7430	1	Relay-Mini
8	125-8067	1	Plug-Plastic
9	104-0395	1	Plug-Plastic
10	3234-13	1	Screw-HHF
11	104-7201	1	Nut-HF, NI
12	32180-110	1	Insulator-Lead Cast
13	132-7773	1	Connector-Hose
14	122-1445	1	Harness-Wire

● Not illustrated



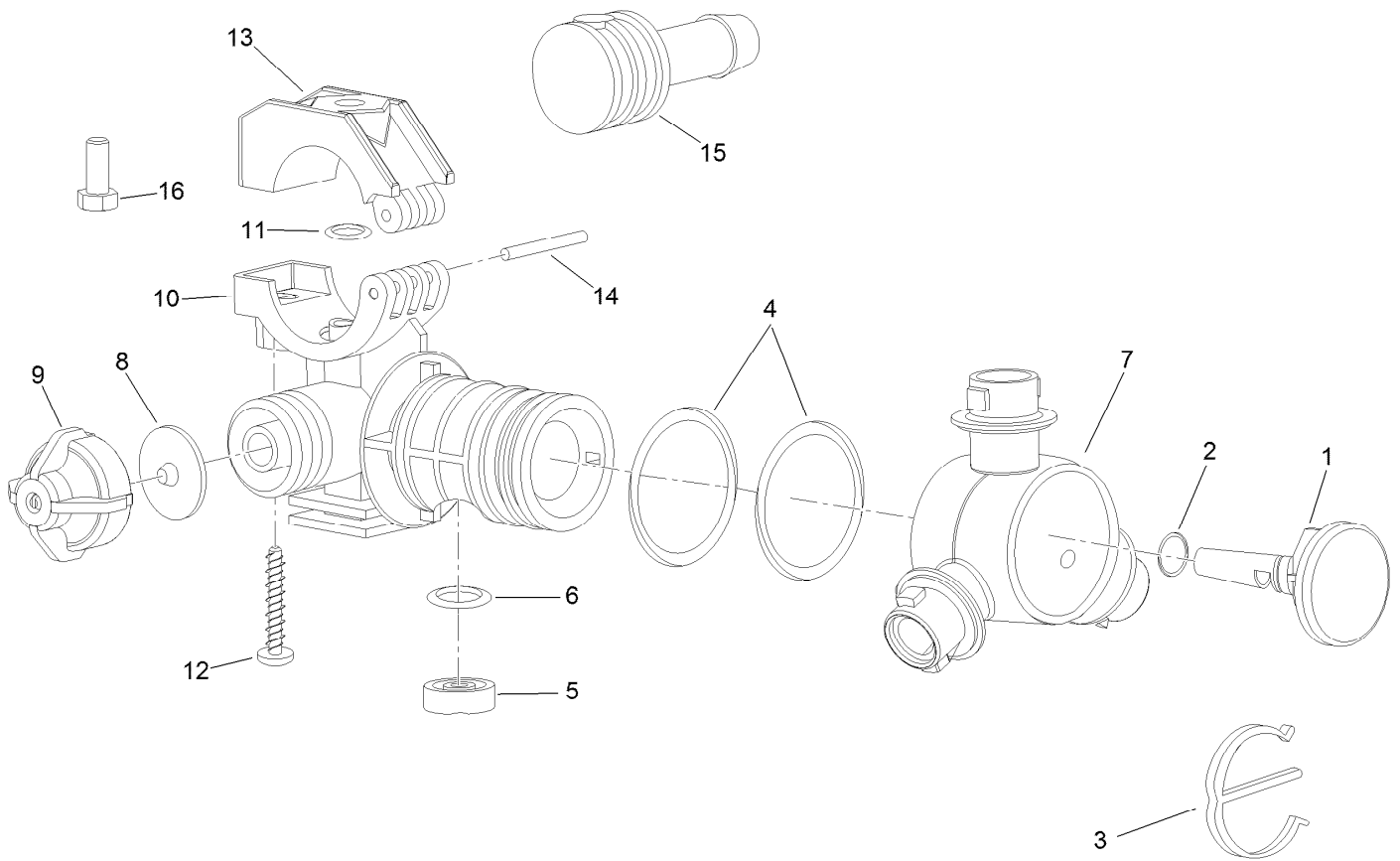
Center Boom Assembly

Ref.	Part Number	Qty.	Description	Ref.	Part Number	Qty.	Description
1	136-0381	1	Boom-LH	21	108-3744	2	Screw-Shoulder
1:2	120-0617	2	Decal-Warning, Pinch, Crush	22	114-9566	2	Clamp-R
2	144-6199	2	Spring-Extension	23	95-9186	3	Cap
3	108-3725	1	LH Single Body Turret ASM	23:1	40998	1	Seat-Gasket
4	108-3727	1	Double Turret Body ASM	24	95-9187	6	Cap-Blank
5	108-3726	1	RH Single Body Turret ASM	24:1	40998	1	Seat-Gasket
6	3213-8	4	Screw-HH	25	108-3735	1	Hose-Boom, Center (LH)
7	104-8300	7	Nut-HF, NI	26	108-3718	1	Hose-Boom, Center (RH)
8	108-3717	1	Hose-Boom	27	3256-68	2	Washer-Flat
9	108-3439	1	Tee	28	110-5070	2	Bumper
10	2412-129	7	Clamp-Hose	29	127-3923	1	Conduit-Convolutd
11	144-6198-03	2	Cradle-ASM, Lower [black]	30	132-4335	1	Hose-Center Boom
12	3290-378	2	Tie-Cable	30:1	127-9770	1	Hose-Shutoff
13	104-8301	12	Nut-HF, NI	30:2	127-9807	1	Straight Fitting Kit
14	140-7337-03	2	Craddle ASM-Upper	30:2:1	133-0398	1	Pin-Fork
15	108-3457	2	Spacer	30:3	2412-129	1	Clamp-Hose
17	108-3489	4	Cap-Tube	31	127-8955-03	1	Mount-Boom
18	110-5052	6	Screw-HHF	32	127-8956-03	1	Mount-Boom
19	108-3495	2	Cover-Slide	33	110-5057	4	Capscrew-HHF
20	108-3743	2	Washer	34	108-3745	4	Nut-HHF, Whiz
				35	110-5050	4	Screw-HHF



Center Boom Assembly (continued)

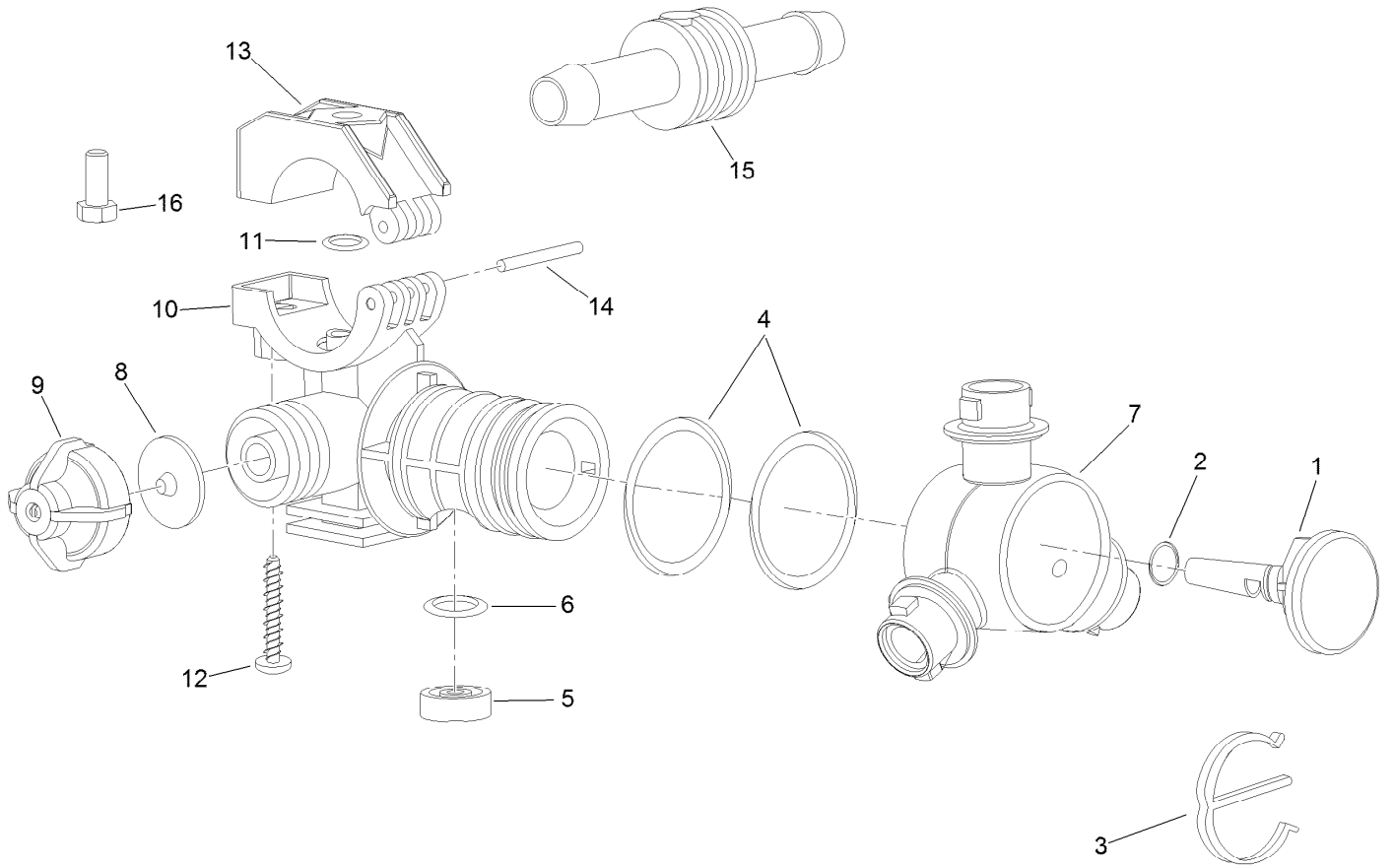
<i>Ref.</i>	<i>Part Number</i>	<i>Qty.</i>	<i>Description</i>	<i>Ref.</i>	<i>Part Number</i>	<i>Qty.</i>	<i>Description</i>
36	3234-42	2	Screw-HHF	38	110-6894	4	Washer-Pivot
37	136-0382	1	Boom-RH	39	3296-19	4	Nut-Hex
37:2	120-0617	2	Decal-Warning, Pinch, Crush	40	3246-4	4	Screw-Set
				41	144-6201-03	2	Tube-Lower Cradle



LH Single Turret Body Assembly No. 108-3725

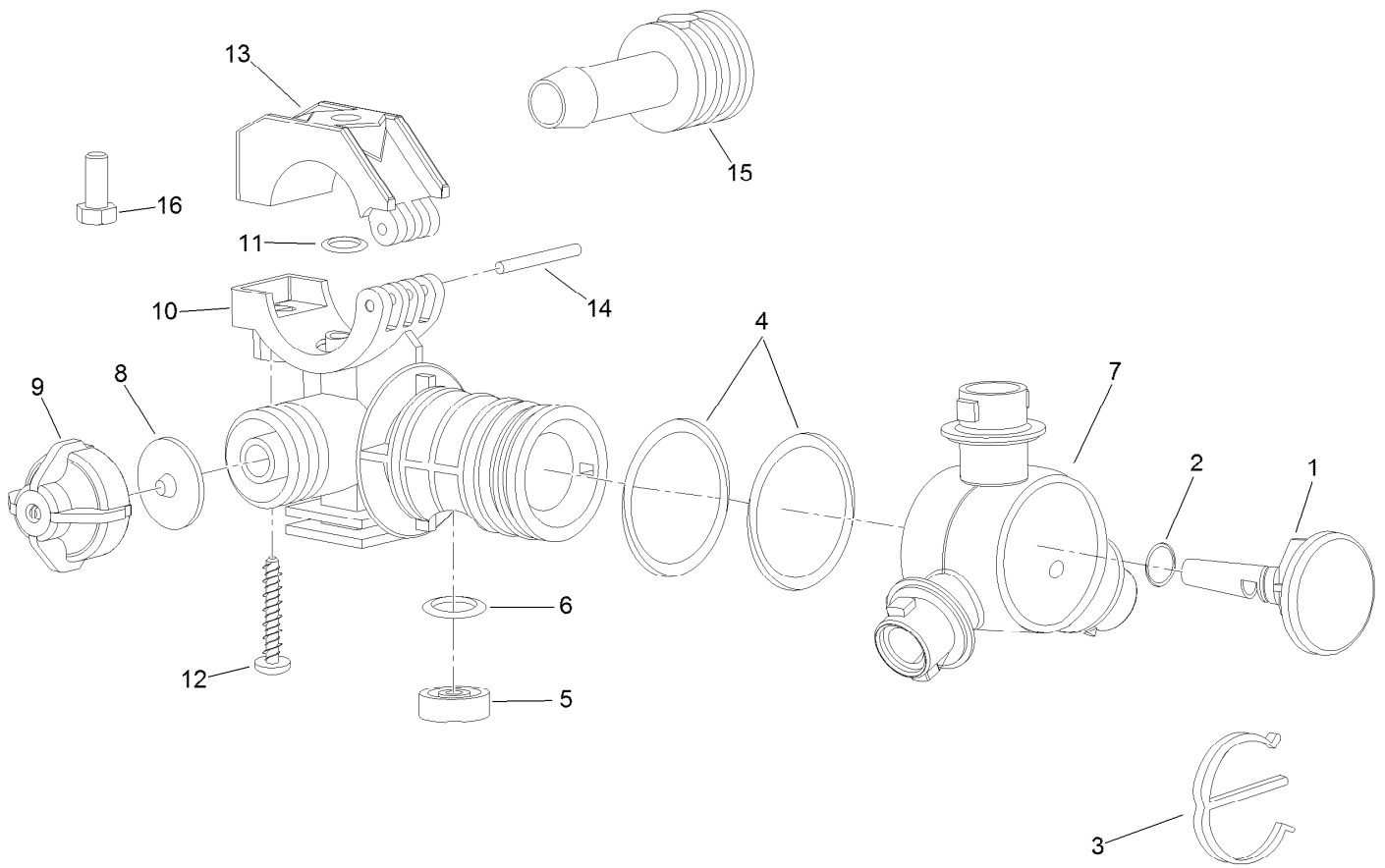
<i>Ref.</i>	<i>Part Number</i>	<i>Qty.</i>	<i>Description</i>
1	95-9200	1	Plug
2	95-9198	1	O-Ring
3	95-9197	1	E-Clip
4	95-9199	2	O-Ring
5	108-3264	1	Seal-Viton
6	108-3265	1	O-Ring-Viton
7	95-9196	1	Turret
8	41003	1	Diaphragm

<i>Ref.</i>	<i>Part Number</i>	<i>Qty.</i>	<i>Description</i>
9	95-9193	1	Cap-Diaphragm
10	95-9192	1	Body-Split Eyelet
11	95-9191	1	O-Ring
12	99-0811	1	Screw-Clamp
13	99-0812	1	Clamp-Upper
14	99-0814	1	Pin-Pivot
15	95-9201	1	Shank-Hose
16	322-3	1	Screw-HH



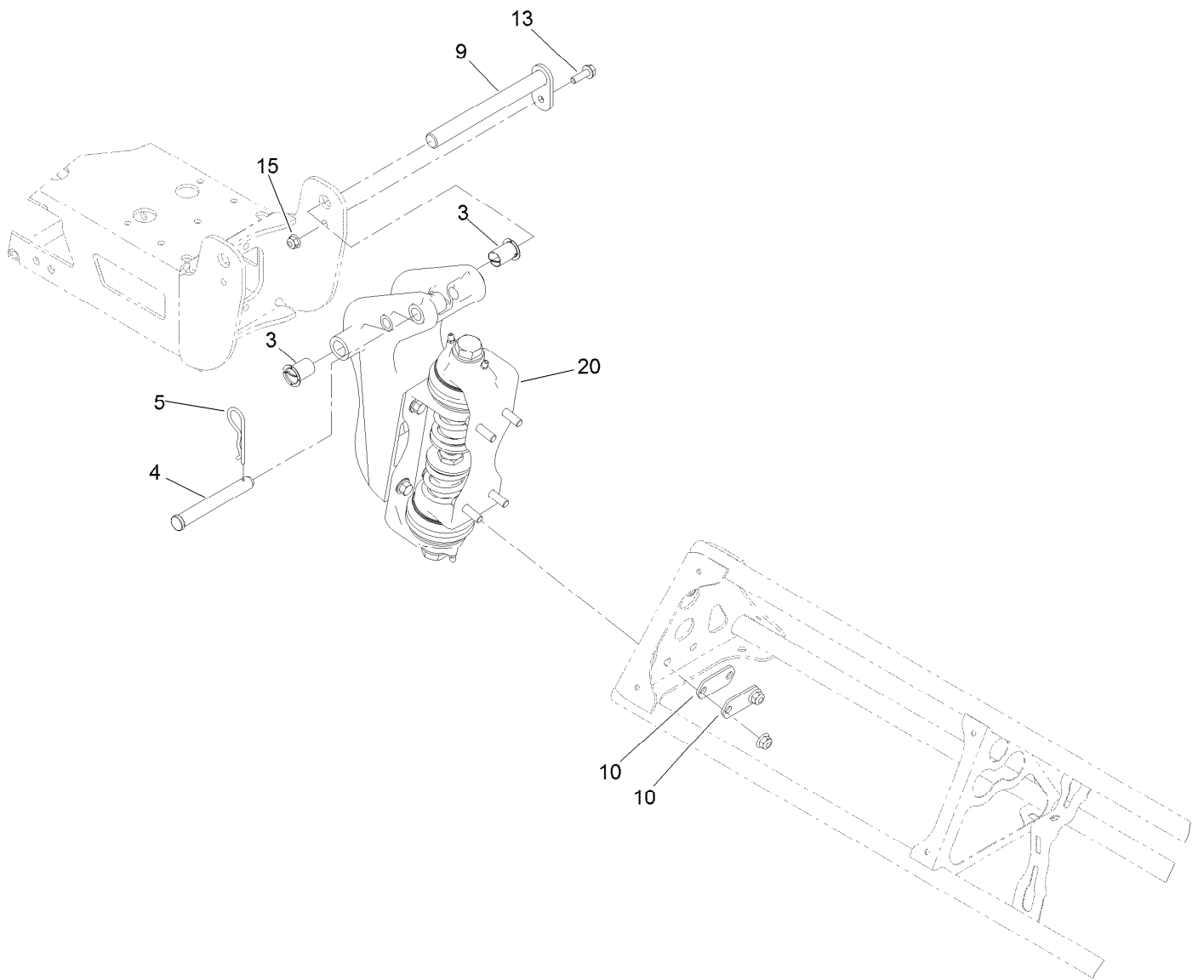
Double Turret Body Assembly No. 108-3727

<i>Ref.</i>	<i>Part Number</i>	<i>Qty.</i>	<i>Description</i>	<i>Ref.</i>	<i>Part Number</i>	<i>Qty.</i>	<i>Description</i>
1	95-9200	1	Plug	9	95-9193	1	Cap-Diaphragm
2	95-9198	1	O-Ring	10	95-9192	1	Body-Split Eyelet
3	95-9197	1	E-Clip	11	95-9191	1	O-Ring
4	95-9199	2	O-Ring	12	99-0811	1	Screw-Clamp
5	108-3264	1	Seal-Viton	13	99-0812	1	Clamp-Upper
6	108-3265	1	O-Ring-Viton	14	99-0814	1	Pin-Pivot
7	95-9196	1	Turret	15	95-9202	1	Shank-Hose
8	41003	1	Diaphragm	16	322-3	1	Screw-HH



RH Single Body Turret Assembly No. 108-3726

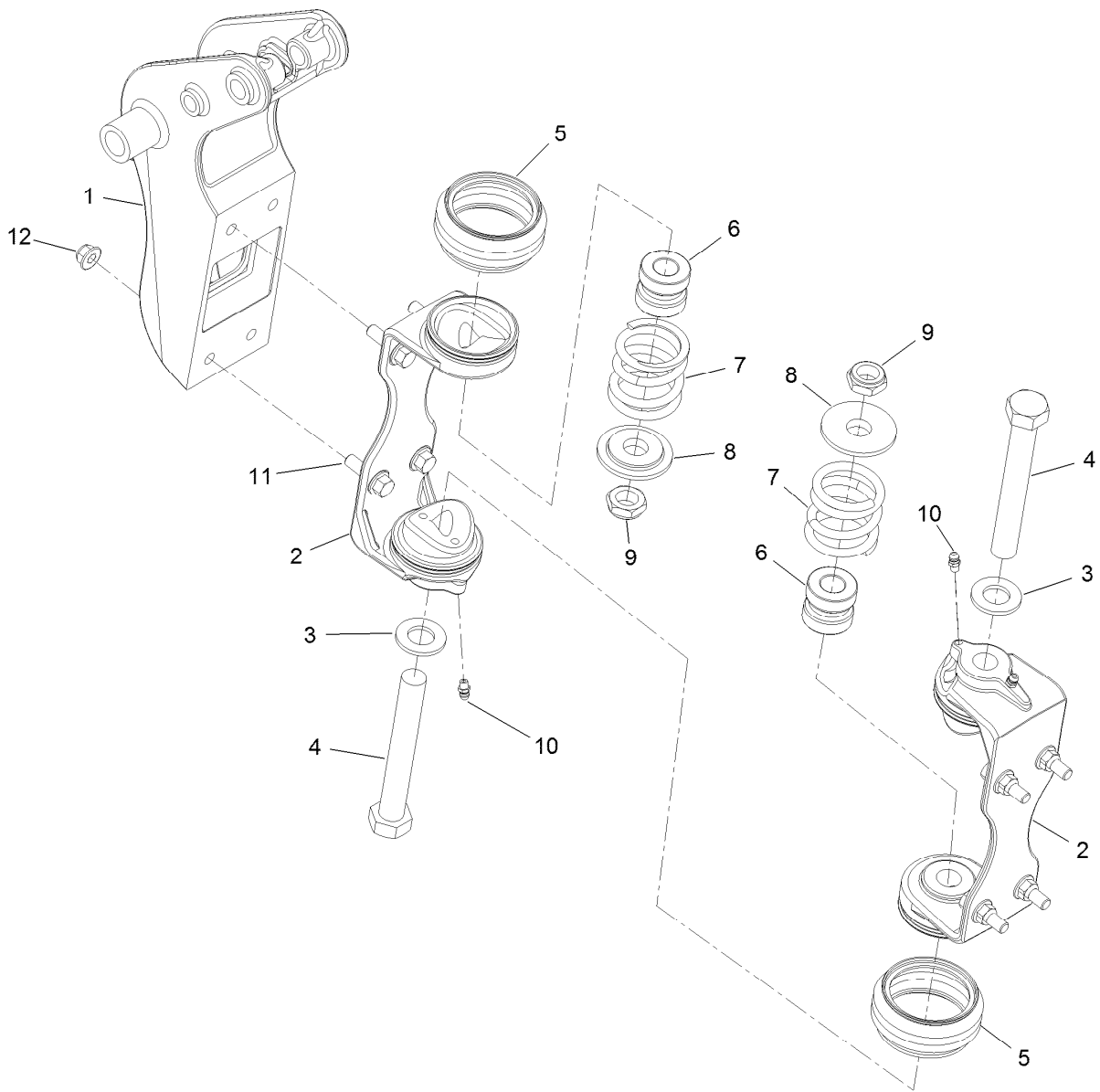
<i>Ref.</i>	<i>Part Number</i>	<i>Qty.</i>	<i>Description</i>	<i>Ref.</i>	<i>Part Number</i>	<i>Qty.</i>	<i>Description</i>
1	95-9200	1	Plug	9	95-9193	1	Cap-Diaphragm
2	95-9198	1	O-Ring	10	95-9192	1	Body-Split Eyelet
3	95-9197	1	E-Clip	11	95-9191	1	O-Ring
4	95-9199	2	O-Ring	12	99-0811	1	Screw-Clamp
5	108-3264	1	Seal-Viton	13	99-0812	1	Clamp-Upper
6	108-3265	1	O-Ring-Viton	14	99-0814	1	Pin-Pivot
7	95-9196	1	Turret	15	95-9201	1	Shank-Hose
8	41003	1	Diaphragm	16	322-3	1	Screw-HH



Boom Mounting Assembly

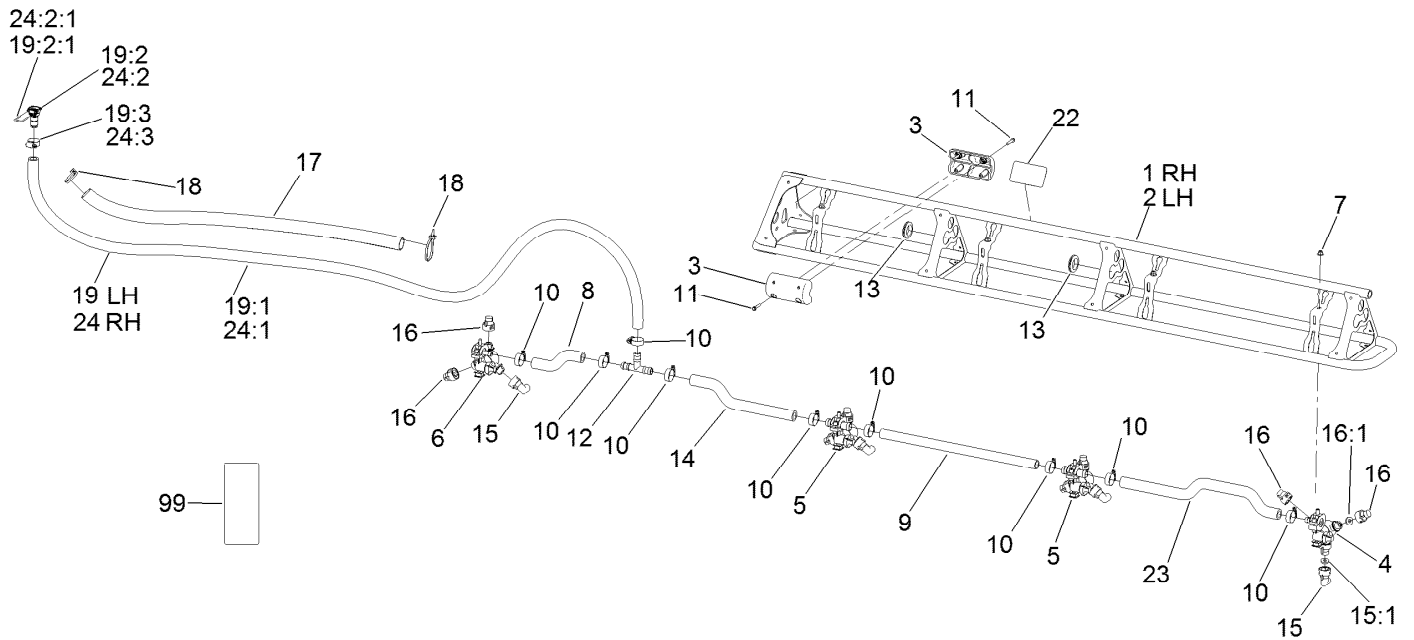
Ref.	Part Number	Qty.	Description
3	100-8541	4	Bushing-A Arm
4	108-3436	2	Pin-Clevis
5	3290-468	2	Pin-Cotter
9	108-3419	2	Pivot Pin ASM
10	108-3605	8	Plate-Backing
13	108-3748	2	Screw-HHF
15	104-8300	2	Nut-HF, NI
20		2	Pivot Bracket Assembly ●

● Not serviced separately



Boom Pivot Assembly

<i>Ref.</i>	<i>Part Number</i>	<i>Qty.</i>	<i>Description</i>
1	137-1673	1	Bracket-Pivot
2	137-1674	2	Hinge
3	110-5054	2	Washer-Flat
4	108-3738	2	Screw-HH
5	108-3459	2	Boot-Hinge
6	120-8541	2	Dampener-Hinge
7	108-3440	2	Spring-Breakaway, Boom
8	108-3444	2	Retainer-Spring
9	3296-15	2	Nut-Lock, NI
10	302-5	4	Fitting-Grease
11	110-5050	8	Screw-HHF
12	104-8301	8	Nut-HF, NI



Left and Right Hand Boom Assembly

Ref.	Part Number	Qty.	Description	Ref.	Part Number	Qty.	Description
1	108-3524-03	1	Boom-RH	16:1	40998	1	Seat-Gasket
2	108-3525-03	1	Boom-LH	17	107-8650	2	Conduit-Convolutd
3	119-9368	4	Block Slide	18	3290-378	6	Tie-Cable
4	108-3725	2	LH Single Body Turret ASM	19	132-4334	1	Hose-Left Boom
5	108-3727	4	Double Turret Body ASM	19:1	131-3790	1	Hose-Boom, RH
6	108-3726	2	RH Single Body Turret ASM	19:2	127-9807	1	Straight Fitting Kit
7	104-8300	8	Nut-HF, NI	19:2:1	133-0398	1	Pin-Fork
8	136-0437	2	Hose-Formed	19:3	2412-129	1	Clamp-Hose
9	40506	2	Hose-Jumper	22	104-8904	2	Decal-Grasp Boom Here
10	2412-129	18	Clamp-Hose	23	108-3735	2	Hose-Boom, Center (LH)
11	119-9369	8	Screw-HHF	24	132-4324	1	Hose-Boom
12	108-3439	2	Tee	24:1	127-9769	1	Hose-Supply
13	240-3	4	Grommet-Rubber	24:2	127-9807	1	Straight Fitting Kit
14	136-0436	2	Hose-Formed	24:2:1	133-0398	1	Pin-Fork
15	95-9186	8	Cap	24:3	2412-129	1	Clamp-Hose
15:1	40998	1	Seat-Gasket	99	119-9434	1	Decal-Magnetic
16	95-9187	16	Cap-Blank				

Attachments and Accessories

For 41240 Multi Pro WM Turf Sprayer

Product Name	Model/Part
Cab Kit.....	07392
Premium ATF (Drum).....	108-1185
Premium ATF (Pail)	108-1186
Premium All Purpose Grease (Tube)	108-1190
License Plate Kit	120-8506
Covered Boom Spring Upgrade Kit.....	120-8508
Premium Engine Oil 10w30 (55 Gallon Drum)	121-6392
Premium Engine Oil 10w30 (5 Gallon Pail)	121-6393
Fan Kit (EFI, Gas Engine Only).....	127-9719
Lance Suction Assembly	127-9826
Multi Pro WM Turf Sprayer Finishing Kit (Automatic).....	131-3301
Multi Pro WM Turf Sprayer Finishing Kit (Manual).....	131-3302
Cab Finishing Kit, 2016 and After Multi Pro WM Turf Sprayer.....	133-2725
Ultra Sonic Boom Finishing Kit, 2013 and After Multi Pro WM Turf Sprayer	133-2808
Pump Head Kit.....	133-2898
Foam Marker Finishing Kit	136-0459
Rear Work Light Kit.....	41010
Single Nozzle Kit.....	41023
Hand Spray Wand Kit	41118
Pro Foam Concentrate (4 x 1 Gallon)	41157
Nozzalert - Mp Nozzle Flow System	41166
EU Compliance Kit.....	41200
Jackstand Kit	41216
Ultra Sonic Boom Leveling Kit	41219
Tank Clean Rinse Kit	41241
Chemical Pre-Mix Kit	41244
Electric Hose Reel Kit	41245
Foam Marker Kit	41249
Drift Reduction Boom Shroud Kit.....	41602
Pro-Foam.....	41607



Count on it.