



Sand Pro[®] 5020

Model No. 08886 - 230000501 and up.

Parts Catalog

Ordering Replacement Parts

To order replacement parts, please supply: the part number, the quantity, and the description of each part desired.

Understanding Reference Numbers

Each identified part in an illustration has a reference number. The reference number for a part also appears in the parts list, along with other information about the part.

This catalog uses two special reference number formats, one to indicate parts in a service assembly and another to indicate the quantity of a given part in an illustration.

Service Assembly Reference Numbers

Parts in service assemblies have reference numbers in the form **a:b**. The **a** represents the reference number of the entire service assembly and the **b** represents a sequential number unique to each part within the service assembly.

For example, a wheel assembly might be identified by reference number **6**, the tire by **6:1**, the valve by **6:2**, and the wheel by **6:3**. When you order the assembly identified by reference number **6**, you receive all parts identified by reference numbers **6:1**, **6:2**, and **6:3**. However, you may also order any part individually. Reference numbers of this type appear in illustrations and in part lists.

Reference Numbers Indicating Quantity

In an illustration, if a reference number indicates more than one part, the reference number has the form **nX y**. The **n** represents the quantity of the part, the **X** is the multiplication symbol, and the **y** represents the reference number.

For example, in an illustration, the reference number **2X 37** means that two of the parts identified by reference number **37** are indicated.

Part Description Abbreviations

Part descriptions in this catalog may include the following abbreviations.

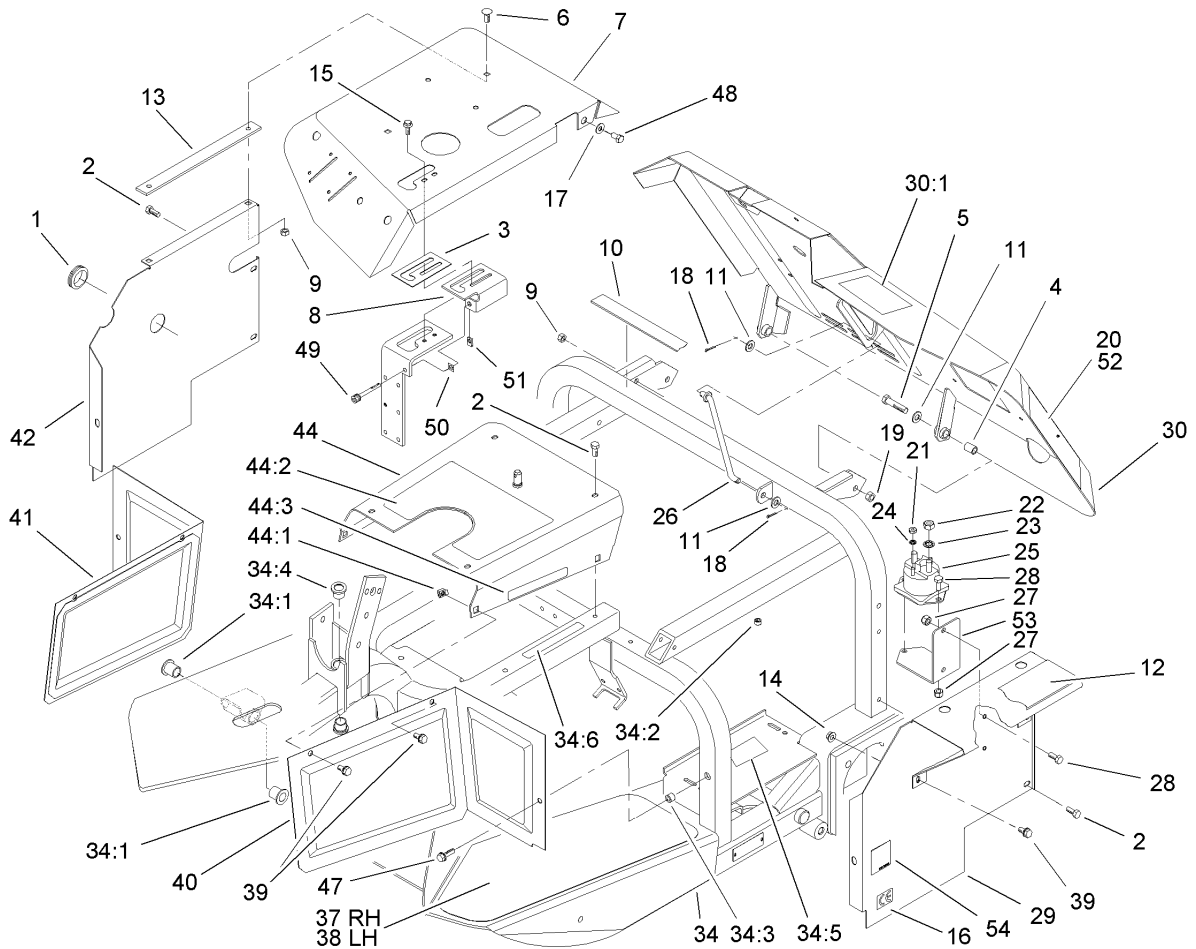
AR.	as required	HWHTF.	hex washer head thread forming
ASM.	assembly	HYD.	hydraulic
CARR.	carriage	INC.	incorporated
DEG.	degrees	LH.	left hand
FH.	flat head	NI.	nylon insert
GA.	gauge	PPH.	phillips pan head
HF.	hex flange	PTH.	phillips truss head
HH.	hex head	PTO.	power take off
HHF.	hex head flange	RH.	right hand
HHFTF.	hex head flange thread forming	SFH.	slotted fillister head
HJ.	hex jam	SHH.	slotted hex head
HLH.	hex lag head	SHWH.	slotted hex washer head
HOC.	height-of-cut	SPH.	slotted pan head
HS.	hex	SQH.	square head
HSBH.	hex socket button head	SRH.	slotted round head
HSFH.	hex socket flat head	STD.	standard
HSH.	hex socket head	TAP.	self tapping
HWH.	hex washer head	TTH.	torx truss head

Footnotes

- | | | | |
|---|--|---|--|
| ❶ | Not illustrated | ❷ | Not serviced separately |
| ❸ | Included in Carburetor Kit-Part No. 808395 | ❹ | Included in Gasket Set-Part No. 808389 |
| ❺ | Included in Valve Overhaul Kit-Part No. 808391 | | |

Contents

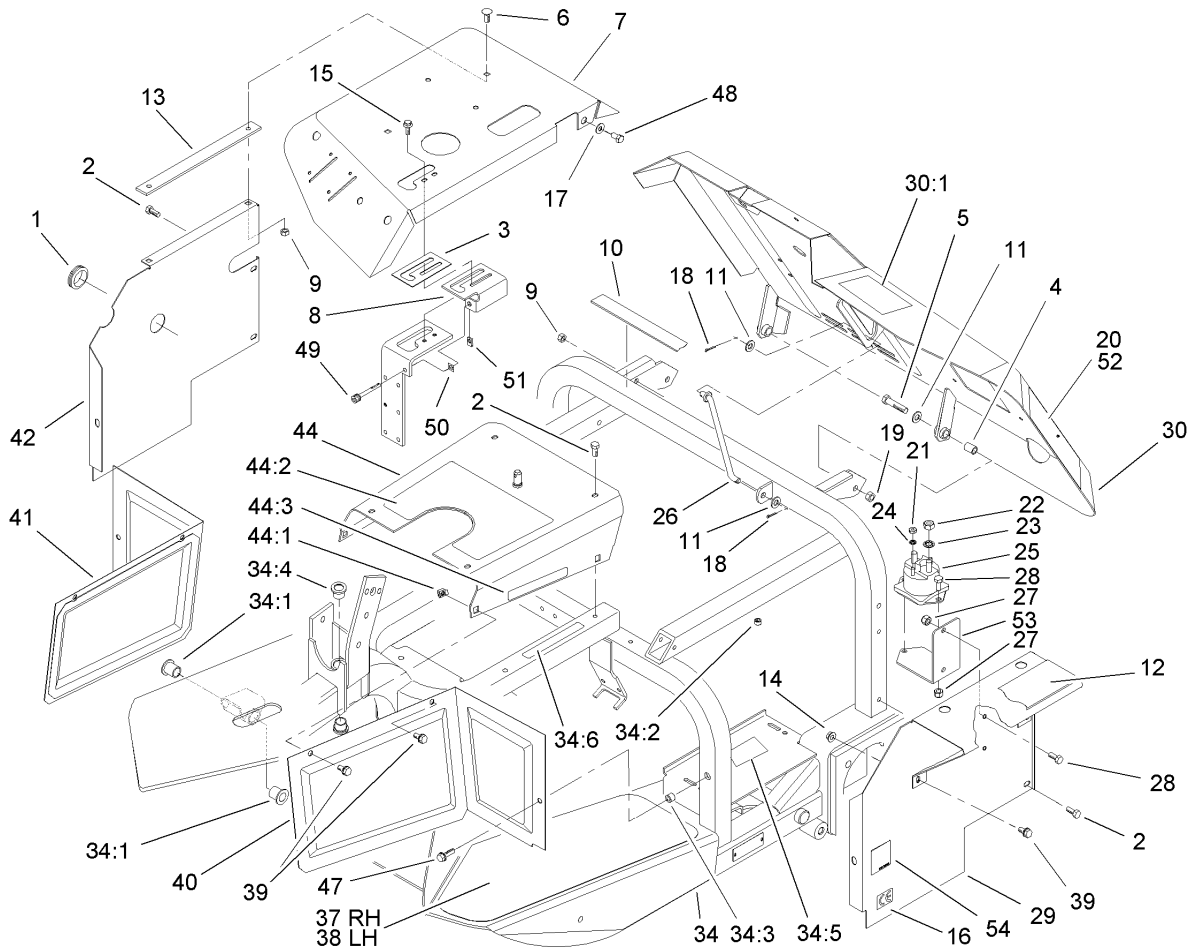
Description	Page	Description	Page
Frame and Shroud Assembly	3	Crankcase Assembly Briggs and Stratton 350447-1116-E1	29
Steering Assembly	5	Carburetor Assembly Briggs and Stratton 350447-1116-E1	30
Fuel Tank and Battery Assembly	6	Valve Cover and Exhaust Manifold Assembly Briggs and Stratton 350447-1116-E1	31
Front Wheel Assembly	7	Governor Assembly Briggs and Stratton 350447-1116-E1	32
Hydraulic Motor Assembly No. 98-0958	8	Ignition Component Assembly Briggs and Stratton 350447-1116-E1	33
Rear Wheel and Lift Assembly	9	Oil Pump and Oil Filter Assembly Briggs and Stratton 350447-1116-E1	34
Hydraulic Cylinder Assembly No. 83-7000	11	Blower Housing Assembly Briggs and Stratton 350447-1116-E1	35
Hydraulic Motor Assembly No. 97-3055	12	Fylwheel Assembly Briggs and Stratton 350447-1116-E1	36
Hydraulic Motor Assembly No. 98-0959	13	Starter Assembly Briggs and Stratton 350447-1116-E1	37
Traction Pedal Assembly	14	Gasket Kit Briggs and Stratton 350447-1116-E1	38
Pump Control Lever Assembly	15	Carburetor Overhaul Kit Briggs and Stratton 350447-1116-E1	39
Engine Installation Assembly	16		
Hydraulic Pump Installation Assembly	17		
Variable Reversible Pump Installation Assembly No. 106-9249	18		
Hydraulic Reservoir Assembly	20		
Hydraulic Plumbing Assembly	21		
Valve Assembly No. 43-1710-01	22		
Seat and Brake Assembly	23		
Air Cleaner and Control Panel Assembly	24		
Electrical Schematic	25		
Hydraulic Schematic	26		
Cylinder Assembly Briggs and Stratton 350447-1116-E1	27		
Piston and Crankshaft Assembly Briggs and Stratton 350447-1116-E1	28		



Frame and Shroud Assembly

Ref	Part No.	Qty.	Description
1	240-3	1	Grommet-Rubber
2	32144-11	8	Screw-TAP
3	99-1629	1	Guide-Lever
4	85-0290	2	Spacer-Pivot, Seat
5	323-9	2	Screw-HH
6	3230-20	2	Screw-CARR
7	98-0918-01	1	Fender-RH
8	98-8160	1	Plate-Latch, Lever
9	3296-29	3	Nut-Lock, NI
10	98-0980	1	Strip-Base, Seat
11	3256-24	4	Washer-Flat
12	98-0981	1	Pad-Base, Seat
13	98-0982	1	Strip-Fender
14	32128-20	1	Nut-HF
15	3234-4	2	Screw-HHF
16	93-7252	1	Decal
17	3256-2	1	Washer-Flat
18	3272-4	2	Pin-Cotter
19	3296-39	2	Nut-Lock, NI
20	106-8105	2	Decal
21	3219-14	2	Nut-Hex
22	3218-13	2	Nut-Jam
23	3254-2	2	Washer-Lock, Int
24	3254-1	2	Washer-Lock, Int
25	28-4210	1	Solenoid

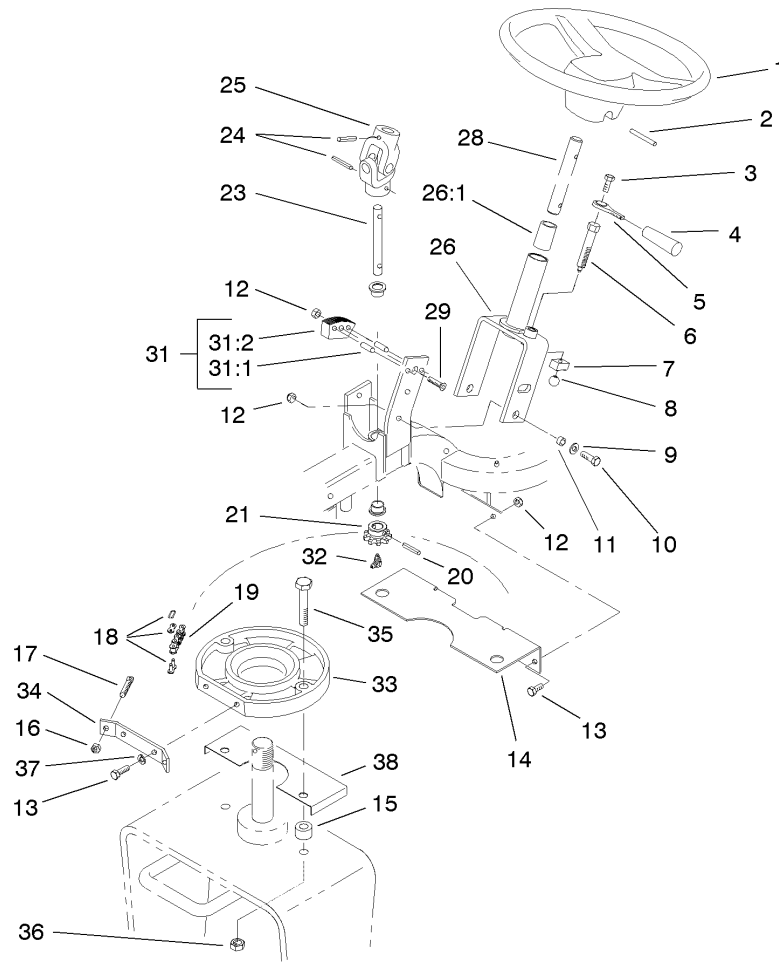
Ref	Part No.	Qty.	Description
26	98-0917	1	Rod-Prop
27	32128-33	4	Nut-HF
28	321-3	4	Screw-HH
29	98-0966-03	1	Panel-Rear, LH
30	98-8150	1	Seat Base ASM
30:1	93-9053	1	Decal-Warning
34	98-0962	1	Frame ASM
34:1	256-219	2	Bushing
34:2	32148-11	1	Insert-Threaded
34:3	32148-8	2	Insert-Threaded
34:4	65-8770	2	Bushing-Bellcrank
34:5	93-6668	1	Decal-Battery
34:6	93-9052	1	Decal-Danger
37	85-8780	1	Tread-Floor, RH
38	85-8790	1	Tread-Floor, LH
39	3234-7	5	Screw-HHF
40	85-9680-01	1	Panel-LH
41	85-8490-01	1	Panel-RH
42	98-0902-03	1	Panel-Rear, RH
44	98-0965	1	Top Panel ASM
44:1	3290-496	4	Nut-Retainer
44:2	93-9050	1	Decal-Instructions, Operating
44:3	93-9052	2	Decal-Danger
47	3234-29	2	Screw-HHF
48	322-2	1	Screw-HH



Frame and Shroud Assembly (continued)

Ref	Part No.	Qty.	Description
49	3274-56	1	Screw-HSH
50	32115-15	1	Pushnut-Retainer, Bolt
51	3290-199	1	Nut-Speed
52	106-8106	2	Decal
53	105-7884-03	1	Bracket-Solenoid
54	105-2699	1	Decal-Noise

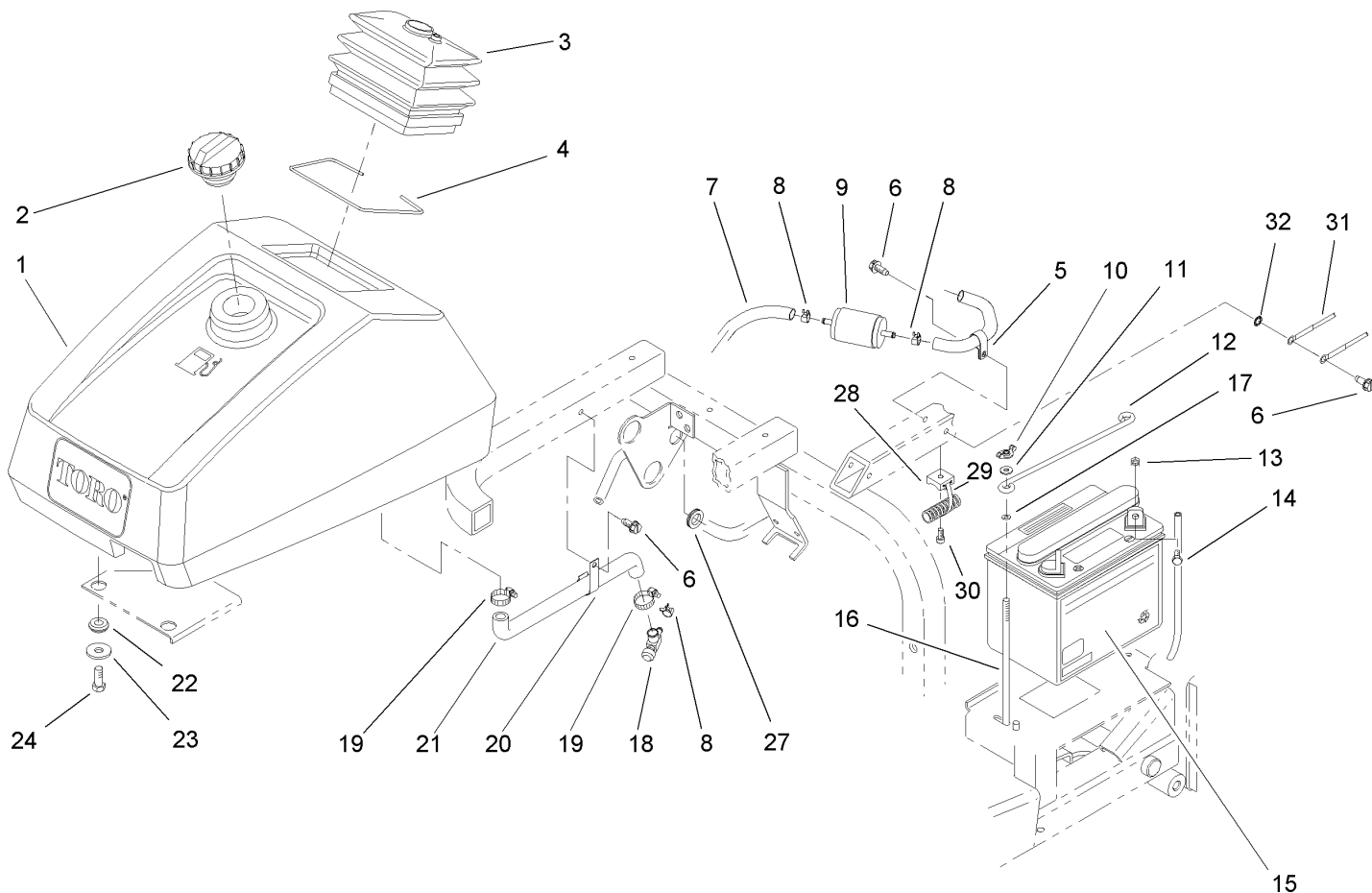
--	--	--	--



Steering Assembly

Ref	Part No.	Qty.	Description
1	76-1420	1	Wheel-Steering
2	32121-111	1	Pin-Roll
3	322-43	1	Screw-HH
4	233-39	1	Knob-Control
5	88-8280	1	Lever-Adjustment, Steering
6	94-4514	1	Pin-Lock, Tilt
7	88-8530	1	Block-Lock, Upper
8	94-4513	1	Ring-Retaining
9	3256-23	3	Washer-Flat
10	322-5	3	Screw-HH
11	85-9120	3	Spacer-Pivot, Tilt
12	3296-29	6	Nut-Lock, NI
13	322-3	4	Screw-HH
14	98-0983-01	1	Bracket-Tank, Fuel
15	98-0978	2	Spacer
16	3296-4	2	Nut-Lock, NI
17	18-6380	2	Pin-Adjustment, Steering
18	2710-11	2	Link-Chain
19	85-8030	1	Chain
20	98-0973	1	Pin-Grooved
21	85-9180	1	Sprocket-Steering
23	98-0928	1	Shaft-Steering, Lower
24	32121-15	2	Pin-Roll
25	85-9200	1	Knuckle-Steering
26	88-8290	1	Steering Bracket ASM

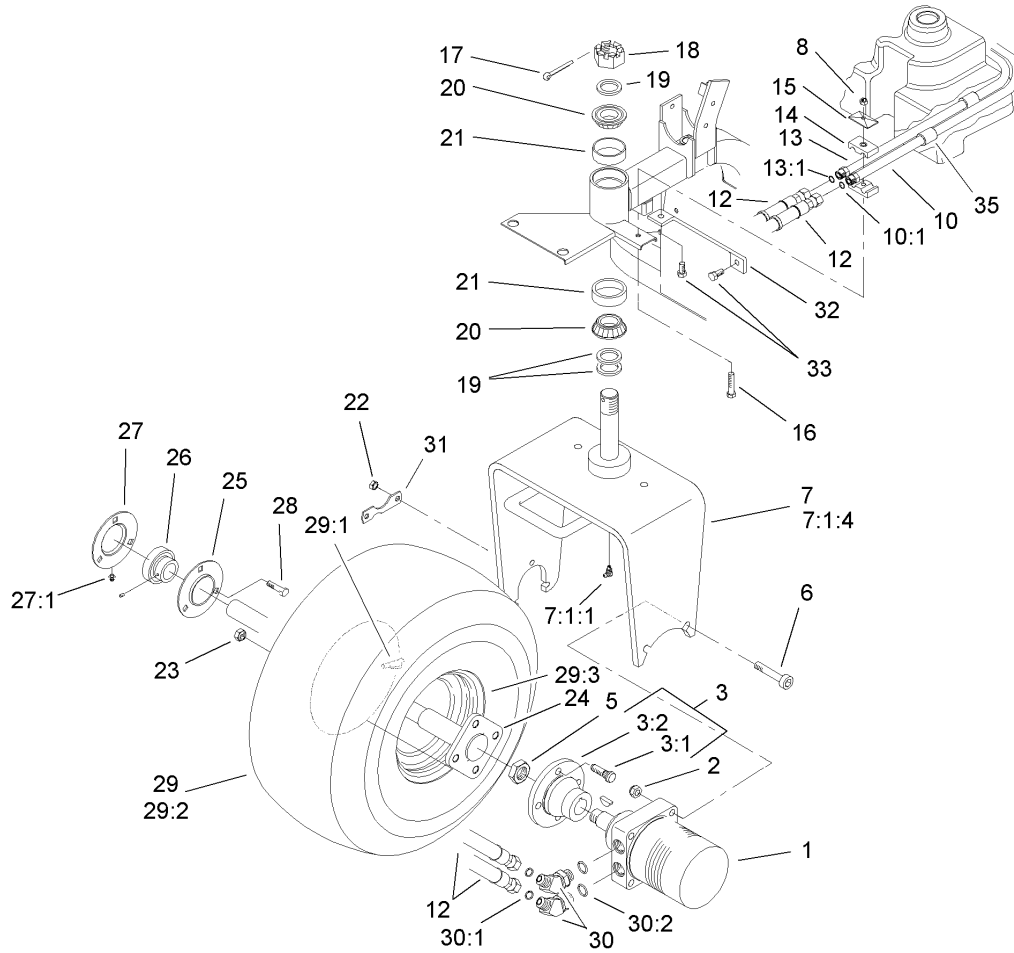
Ref	Part No.	Qty.	Description
26:1	256-185	1	Bushing
28	85-9220	1	Shaft-Steering, Upper
29	3289-24	1	Screw-HSFH
31		1	Lock Block And Pin ASM
31:1	88-8510	2	Pin-Dowel
31:2	88-8520	1	Block-Lock, Lower
32	302-33	1	Fitting-Grease
33	98-0924-01	1	Guide-Chain
34	98-0925	1	Bracket-Chain
35	325-12	2	Screw-HH
36	3296-25	2	Nut-Lock, NI
37	3253-4	2	Washer-Lock
38	98-0929-01	1	Plate-Stay, Chain



Fuel Tank and Battery Assembly

Ref	Part No.	Qty.	Description
1	98-0927	1	Tank-Fuel
2	93-7170	1	Cap-Fuel
3	85-9010	1	Boot-Steering
4	85-8930	1	Retainer-Boot
5	2412-93	1	Clamp-R
6	32144-11	3	Screw-TAP
7	98-0976	1	Hose-Fuel
8	2412-98	3	Clamp
9	94-2690	1	Filter-Fuel
10	32103-12	2	Nut-Wing
11	3256-22	2	Washer-Flat
12	72-4790	1	Hold Down-Battery
13	3217-5	2	Nut-Hex
14	321-3	2	Screw-HH
15	104-8162	1	Battery
16	56-7720	2	Post-Battery
17	237-143	2	O-Ring
18	83-1390	1	Fitting-Shut-Off, Fuel
19	2412-36	2	Clamp-Hose
20	2412-109	1	Clip-J
21	98-0995	1	Hose-Fuel
22	240-11	4	Grommet-Mount, Tank
23	63-8410	4	Washer
24	323-5	4	Screw-HH
27	237-124	1	Grommet

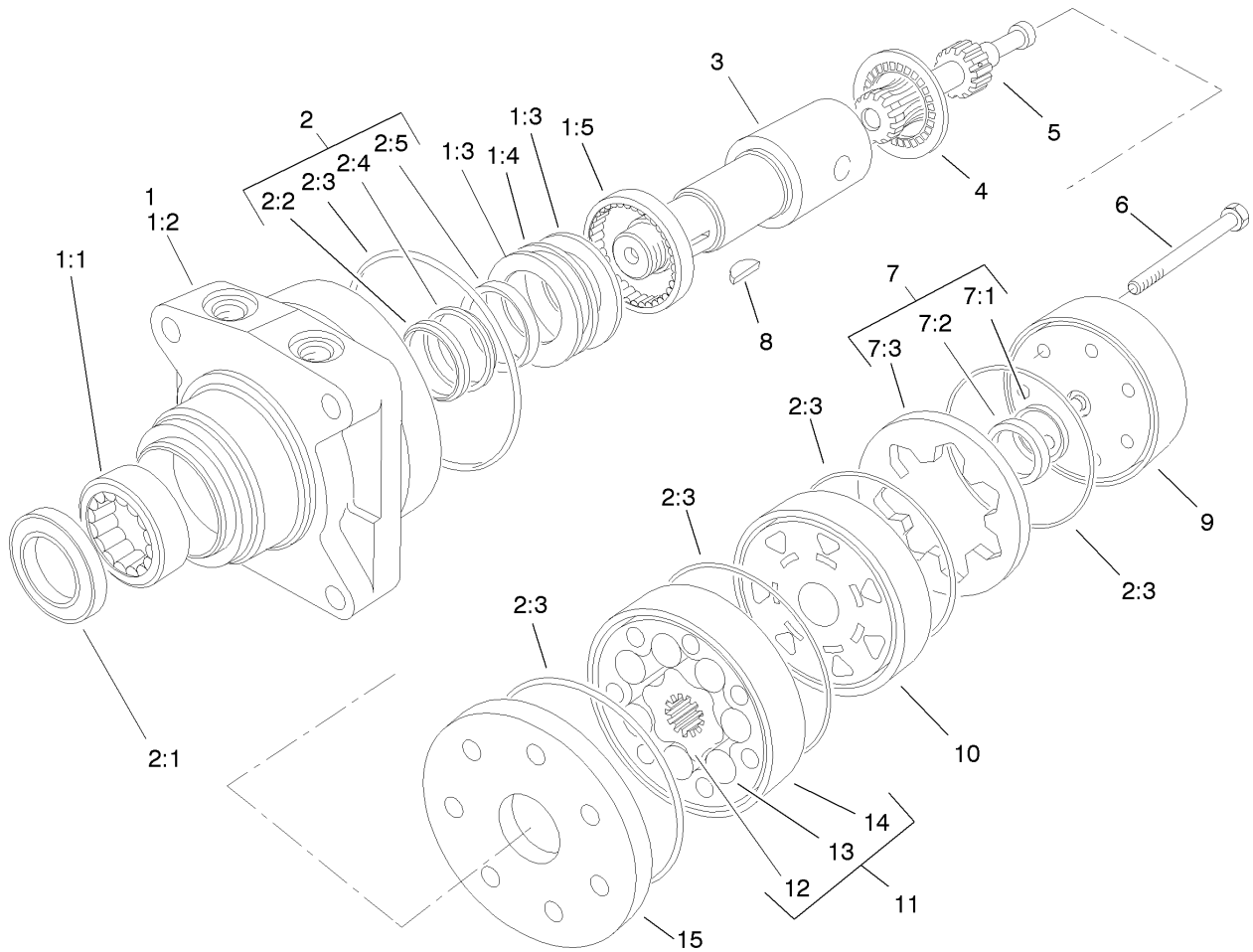
Ref	Part No.	Qty.	Description
28	3290-509	1	Mount-Tie
29	3290-378	1	Tie-Cable
30	3274-31	1	Screw-HSBH
31	98-0999	1	Ground Wire ASM
32	3254-2	1	Washer-Lock, Int



Front Wheel Assembly

Ref	Part No.	Qty.	Description
1	98-0958	1	Motor-HYD
2	3296-23	2	Nut-Lock, NI
③		1	Front Wheel Hub ASM
3:1	10-6830	4	Stud-Type, Drive
3:2	93-6838-03	1	Hub-Wheel
5	26-3790	1	Nut-Lock
6	3274-93	2	Screw-HSH
⑦		1	Fork ASM
7:1:1	302-33	1	Fitting-Grease
7:1:4	98-0950-01	1	Fork
8	3296-8	1	Nut-Lock, NI
10	98-0932	1	Tube-Front, LH
10:1	237-30	1	O-Ring
12	85-9640	2	Hose-HYD
13	98-0933	1	Tube-Front, RH
13:1	237-30	2	O-Ring
14	56-7976	2	Clamp-Tube
15	69-9760	1	Coverplate
16	321-10	1	Screw-HH
17	3272-37	1	Pin-Cotter
18	32136-9	1	Nut-SHH
19	18-6320	3	Washer-Steering
20	254-70	2	Bearing-Cone
21	254-61	2	Bearing-Cup
22	3296-39	3	Nut-Lock, NI

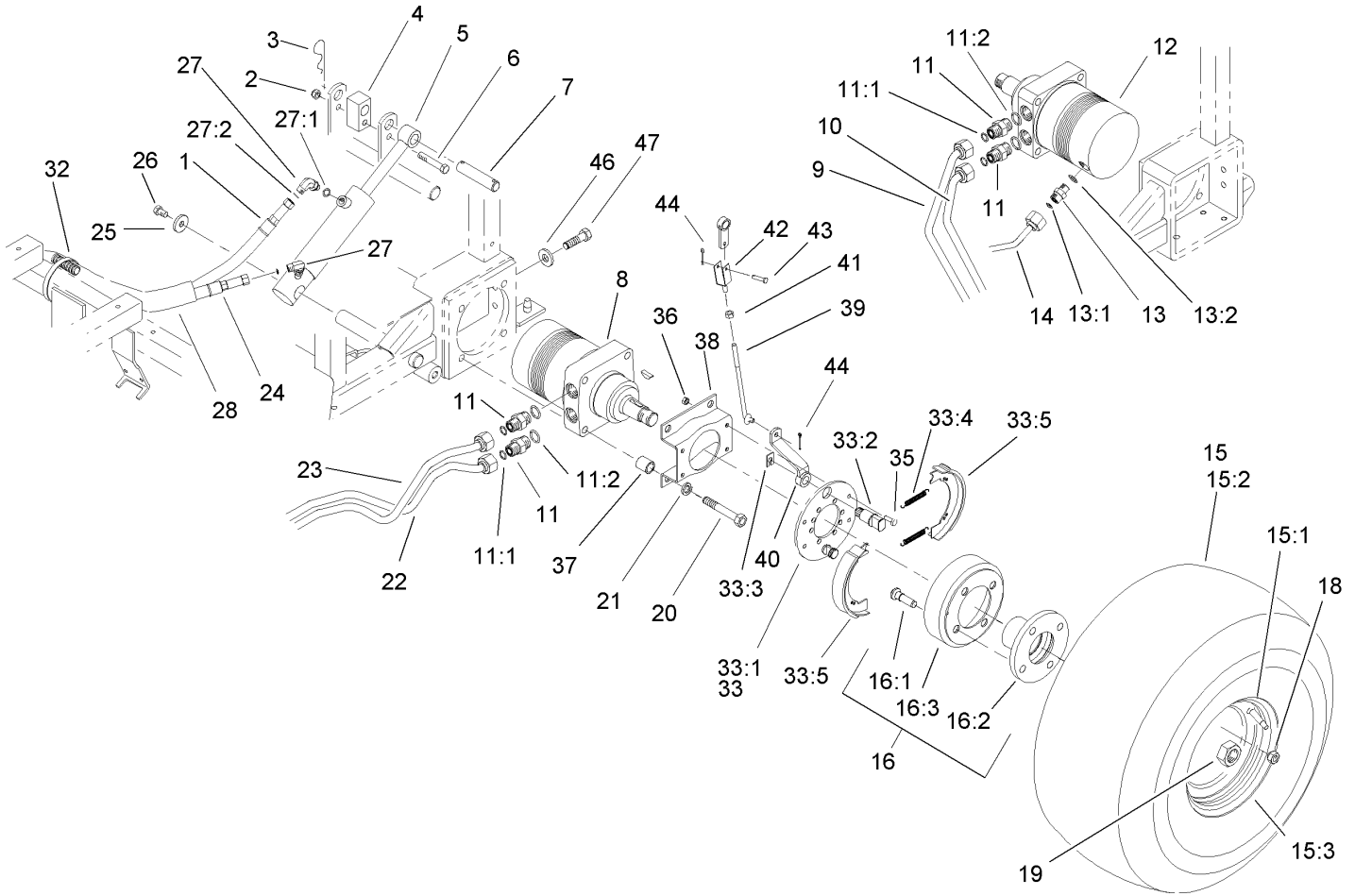
Ref	Part No.	Qty.	Description
23	242-50	4	Nut-Lug
24	92-8969	1	Spindle
25	85-8950	1	Flangette-STD
26	251-352	1	Bearing
27	85-8940	1	Flangette-Relube
27:1	302-5	1	Fitting-Grease
28	323-29	3	Screw-HH
②⑨		1	Wheel And Tire ASM
29:1	232-35	1	Valve Stem And Cap ASM
29:2	85-8290	1	Tire
29:3	94-6116	1	Wheel-Rear
30	340-89	2	Fitting-Hyd, 45 DEG
30:1	237-30	1	O-Ring
30:2	237-80	1	O-Ring
31	88-8350	1	Tab-Bearing
32	98-0926-01	1	Strap
33	105-6245	2	Screw-Tapping
35	38-3400	2	Guard-Rubber



Hydraulic Motor Assembly No. 98-0958

Ref	Part No.	Qty.	Description
1	76-0810	1	Housing ASM
1:1		1	Bearing
1:2		1	Housing
1:3		2	Washer-Thrust
1:4		1	Bearing-Thrust
1:5		1	Bearing
2	94-8178	1	Seal Kit
2:1		1	Seal-Dirt And Water
2:2		1	Washer-Backup
2:3		5	Seal-Ring
2:4		1	Washer-Backup
2:5		1	Seal-Inner
2:6		1	Seal-Commutator
3	76-0860	1	Shaft-Coupling
4	76-0850	1	Bearing-Thrust
5		1	Link-Drive
6		7	Screw-HH
7	76-0880	1	Commutator ASM
7:1		1	Seal-Commutator
7:2		1	Commutator
7:3		1	Ring-Commutator
8	3257-42	1	Key-Woodruff
9	76-0940	1	End Cover ASM
10		1	Manifold

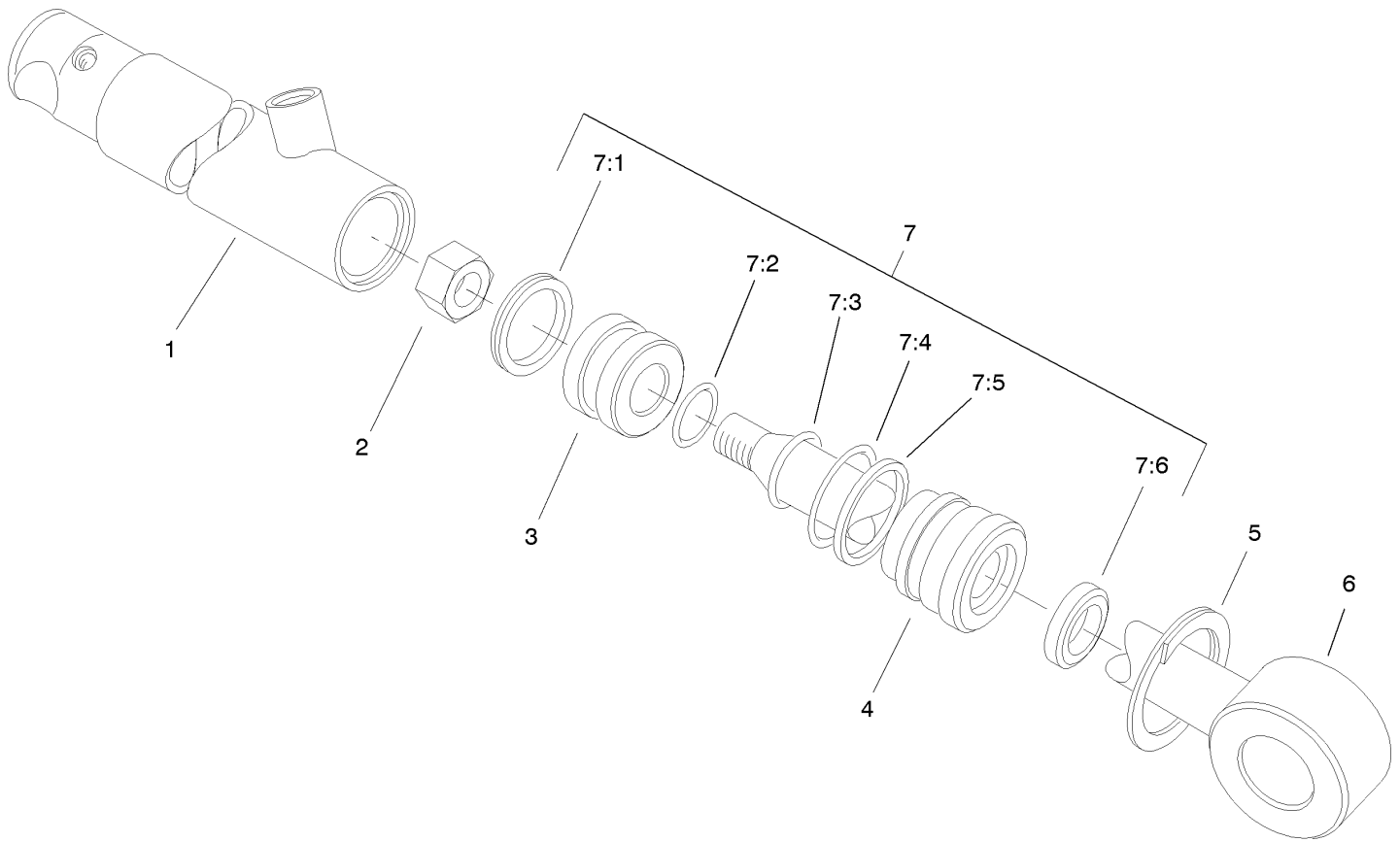
Ref	Part No.	Qty.	Description
11		1	Rotor Set
12		1	Rotor
13		7	Vane
14		1	Stator
15	76-0870	1	Plate-Wear



Rear Wheel and Lift Assembly

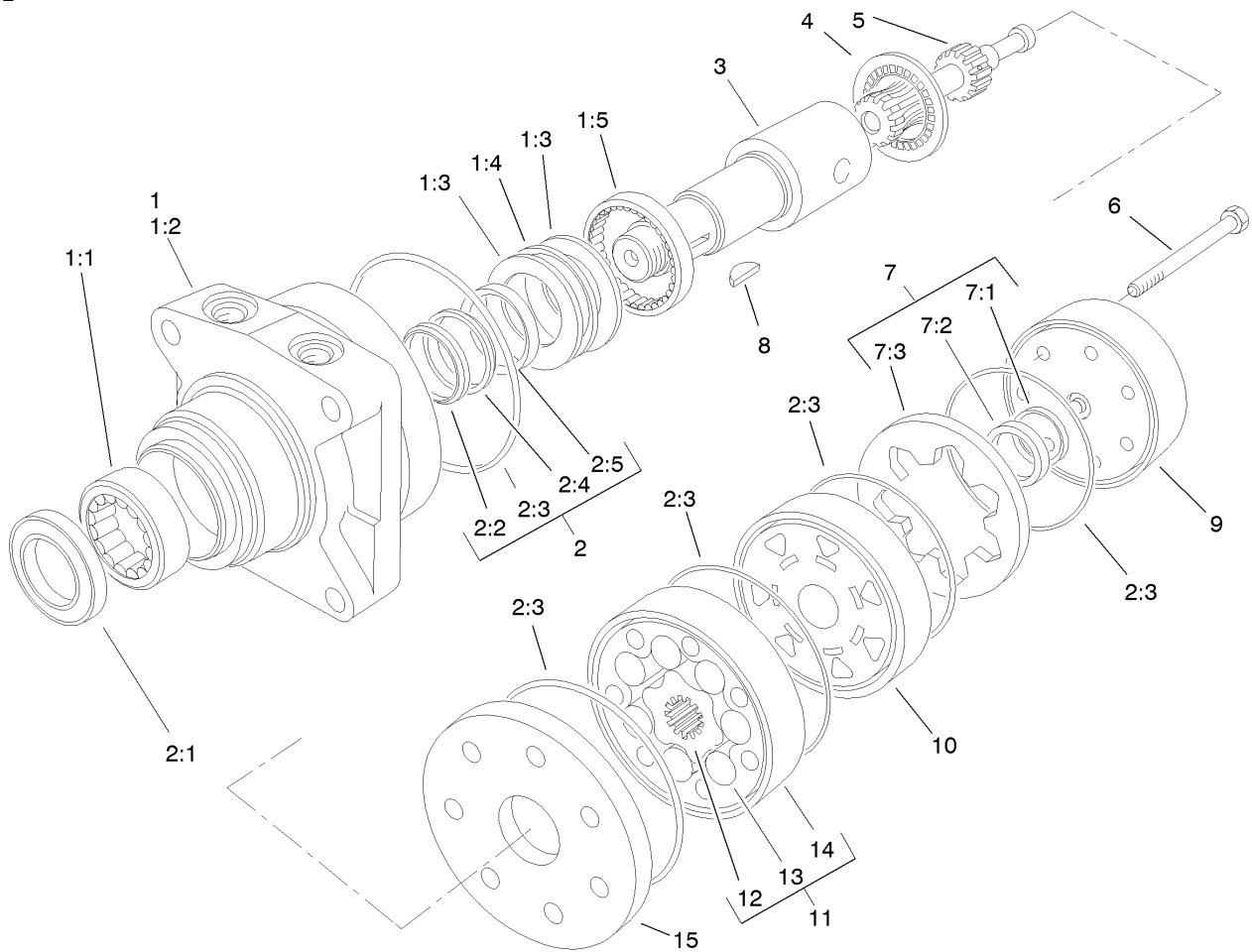
Ref	Part No.	Qty.	Description
1	85-9570	1	Hose-HYD
2	3296-39	1	Nut-Lock, NI
3	3290-256	2	Pin-Hair
4	85-9160-03	1	Spacer-Pin, Lift
5	83-7000	1	HYD Cylinder ASM
6	323-11	1	Screw-HH
7	85-9170	1	Pin-Cylinder
8	97-3055	1	Motor-HYD
9	98-0934	1	Top RH Tube ASM
10	98-0935	1	Tube-Bottom Rear, RH
11	340-6	4	Fitting-Hyd, Straight
11:1	237-30	1	O-Ring
11:2	237-80	1	O-Ring
12	98-0959	1	Motor-HYD
13	340-2	1	Fitting-Hyd, Straight
13:1	237-22	1	O-Ring
13:2	237-42	1	O-Ring
14	98-0988	1	Tube-HYD
15		2	Wheel And Tire ASM
15:1	232-35	1	Valve Stem And Cap ASM
15:2	85-8290	1	Tire
15:3	94-6116	1	Wheel-Rear
16	17-8149	2	Wheel Hub ASM
16:1	85-6540	4	Stud-Drive
16:2	93-6838-03	1	Hub-Wheel

Ref	Part No.	Qty.	Description
16:3	10-6850	1	Drum-Brake
18	242-50	8	Nut-Lug
19	26-3790	2	Nut-Lock
20	325-13	8	Screw-HH
21	3253-7	8	Washer-Lock
22	98-0937	1	Tube-Bottom, LH
23	98-0936	1	Tube-Rear Top, RH
24	85-9580	1	Hose-HYD
25	53-6380	1	Washer-Flat
26	323-34	1	Screw-HH
27	340-132	2	Fitting-Hyd, 90 DEG
27:1	237-78	1	O-Ring
27:2	237-21	1	O-Ring
28	56-7981	1	Sleeve-Protective
32	3334-945	1	Tie-Cable
33	104-7705	2	Brake ASM
33:1	70-9870	1	Plate-Backing
33:2	104-7707	1	Shaft-Cam, Brake
33:3	104-7706	1	E Ring-Bowed
33:4	70-9880	2	Spring-Return
33:5	70-9840	2	Shoe-Brake
35	321-4	8	Screw-HH
36	3296-42	8	Nut-Lock, NI
37	92-1715	8	Spacer
38	84-2000-03	2	Bracket-Brake



Hydraulic Cylinder Assembly No. 83-7000

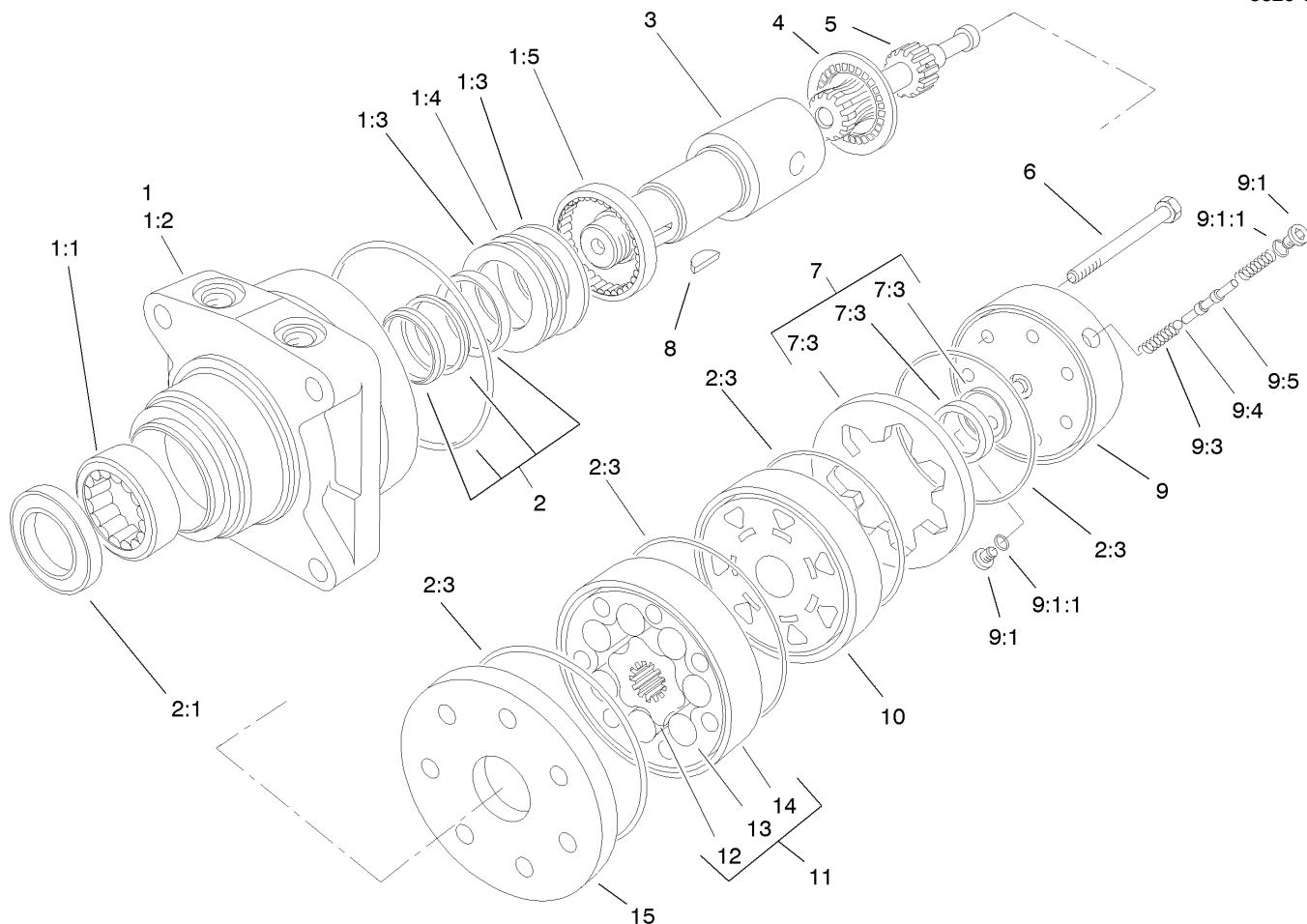
Ref	Part No.	Qty.	Description
1		1	Barrel ASM
2	32152-10	1	Locknut
3		1	Piston
4		1	Head
5	43-5220	1	Ring-Retaining
6		1	Shaft W/clevis
7	86-5360	1	Seal Repair Kit
7:1		1	Uniring-Grooved
7:2		1	O-Ring
7:3		1	O-Ring
7:4		1	O-Ring
7:5		1	Back-Up
7:6		1	Seal-Dust



Hydraulic Motor Assembly No. 97-3055

Ref	Part No.	Qty.	Description
1	76-0810	1	Housing ASM
1:1		1	Bearing
1:2		1	Housing
1:3		2	Washer-Thrust
1:4		1	Bearing-Thrust
1:5		1	Bearing
2	94-8178	1	Seal Kit
2:1		1	Seal-Dirt And Water
2:2		1	Washer-Backup
2:3		5	Seal-Ring
2:4		1	Washer-Backup
2:5		1	Seal-Inner
2:6		1	Seal-Commutator
3	76-0860	1	Shaft-Coupling
4	76-0850	1	Bearing-Thrust
5		1	Link-Drive
6		7	Screw-HH
7	76-0880	1	Commutator ASM
7:1		1	Seal-Commutator
7:2		1	Commutator
7:3		1	Ring-Commutator
8	3257-42	1	Key-Woodruff
9	76-0940	1	End Cover ASM
10	76-0840	1	Manifold

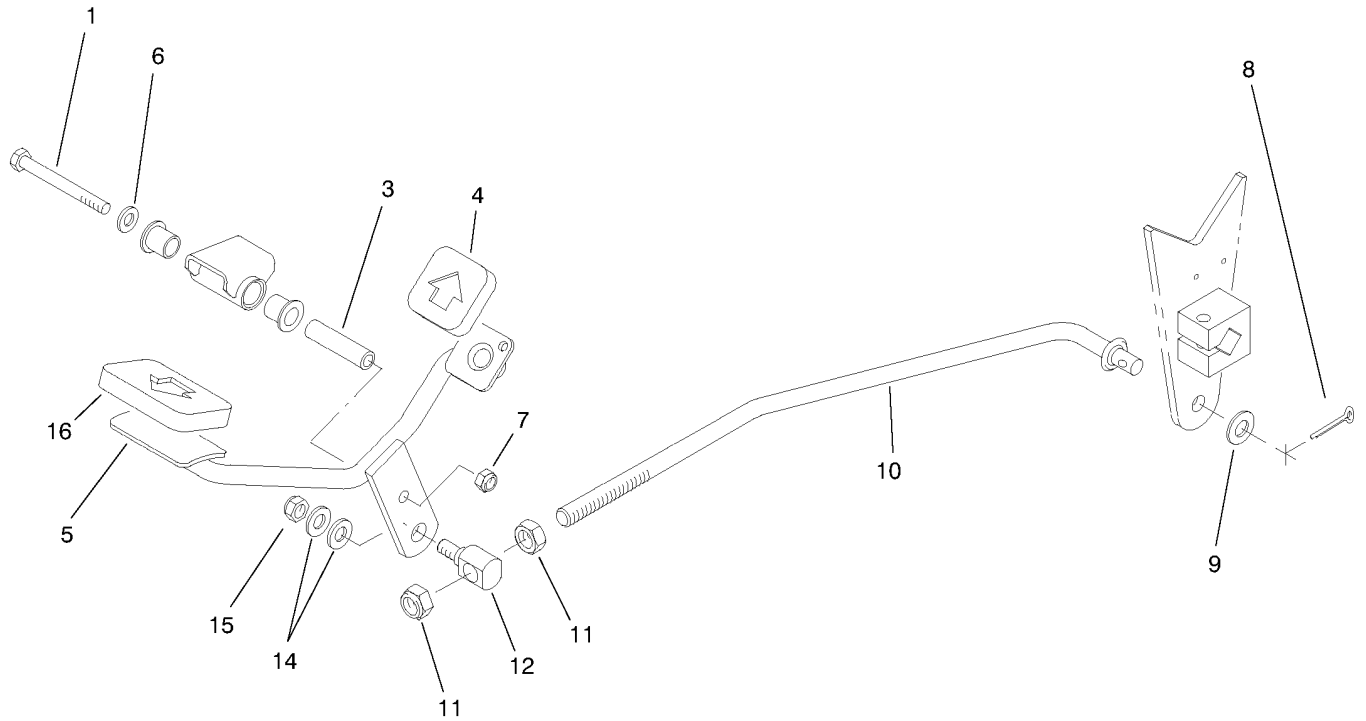
Ref	Part No.	Qty.	Description
11		1	Rotor Set
12		1	Rotor
13		7	Vane
14		1	Stator
15	76-0870	1	Plate-Wear



Hydraulic Motor Assembly No. 98-0959

Ref	Part No.	Qty.	Description
1	76-0810	1	Housing ASM
1:1		1	Bearing
1:2		1	Housing
1:3		2	Washer-Thrust
1:4		1	Bearing-Thrust
1:5		1	Bearing
2	94-8178	1	Seal Kit
2:1		1	Seal-Dirt And Water
2:2		1	Washer-Backup
2:3		5	Seal-Ring
2:4		1	Washer-Backup
2:5		1	Seal-Inner
2:6		1	Seal-Commutator
3	76-0860	1	Shaft-Coupling
4	76-0850	1	Bearing-Thrust
5		1	Link-Drive
6		7	Screw-HH
7	76-0880	1	Commutator ASM
7:1		1	Seal-Commutator
7:2		1	Commutator
7:3		1	Ring-Commutator
8	3257-42	1	Key-Woodruff
9	76-0890	1	End Cover ASM
9:1	353-990	2	Plug

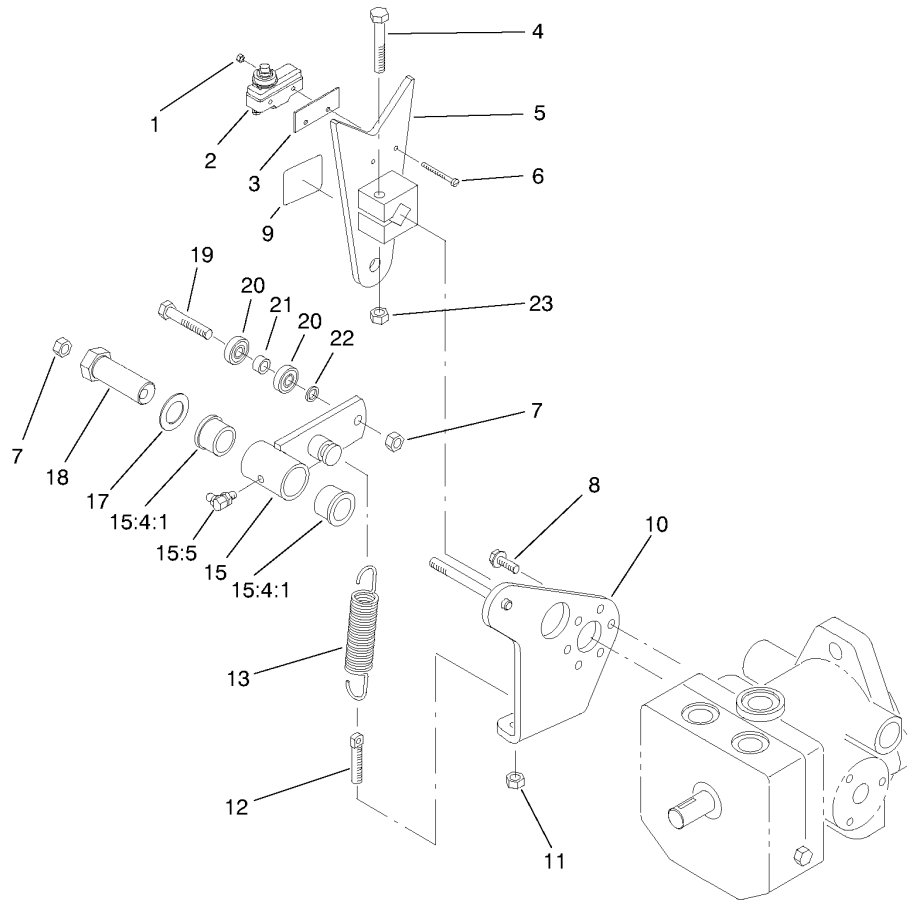
Ref	Part No.	Qty.	Description
9:1:1	237-78	1	O-Ring
9:3		2	Spring
9:4		1	Ball
9:5		1	Valve-Shuttle
10		1	Manifold
11		1	Rotor Set
12		1	Rotor
13		7	Vane
14		1	Stator
15	76-0870	1	Plate-Wear



Traction Pedal Assembly

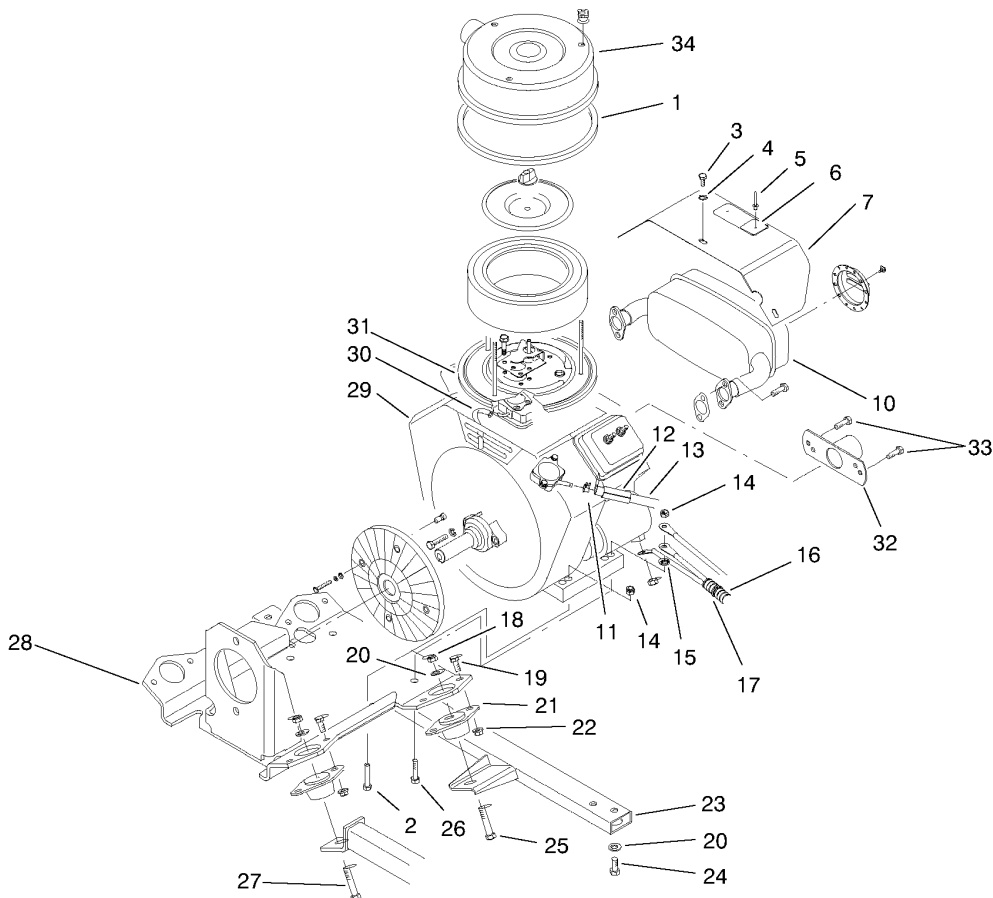
Ref	Part No.	Qty.	Description
1	322-14	1	Screw-HH
3	85-8960	1	Spacer
4	74-9110	1	Pad-Pedal, Reverse
5	92-2343-01	1	Pedal
6	3256-23	1	Washer-Flat
7	3296-29	1	Nut-Lock, NI
8	3272-16	1	Pin-Cotter
9	3256-26	1	Washer-Flat
10	85-8450	1	Rod-Traction
11	3218-5	2	Nut-Jam
12	92-2344	1	Trunnion
14	3256-24	2	Washer-Flat
15	3296-39	1	Nut-Lock, NI
16	74-9100	1	Pad-Pedal, Forward

--	--	--	--



Pump Control Lever Assembly

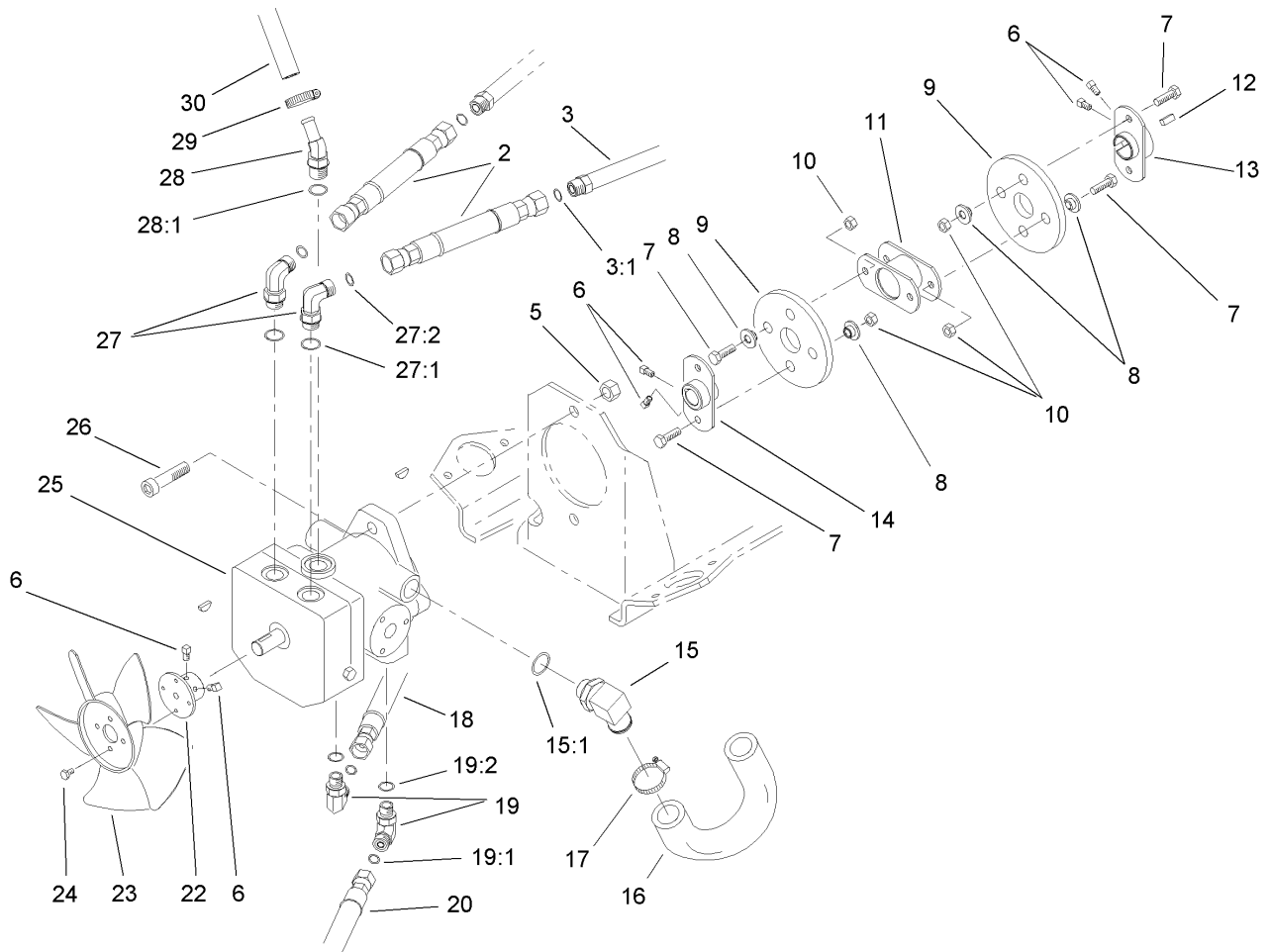
Ref	Part No.	Qty.	Description				
1	3296-9	2	Nut-Lock, NI				
2	29-6163	1	Switch-Micro				
3	85-9150	1	Plate-Switch				
4	323-10	1	Screw-HH				
5	85-8300-03	1	Lever-Pump				
6	32105-21	2	Screw-HH				
7	3296-29	2	Nut-Lock, NI				
8	49-2040	3	Screw-Tapping				
9	93-9051	1	Decal-Bolt, Eccentric				
10	95-0553-03	1	Plate-Pump				
11	3296-4	1	Nut-Lock, NI				
12	18-6380	1	Pin-Adjustment, Steering				
13	85-9030	1	Spring-Extension				
15	85-8460	1	Switch Arm ASM				
15:4:1	256-113	2	Bushing-Flange				
15:5	302-60	1	Fitting-Grease				
17	3-6498	1	Washer-Thrust				
18	76-8640	1	Stud-Traction				
19	322-8	1	Screw-HH				
20	251-307	2	Bearing-Ball				
21	85-9120	1	Spacer-Pivot, Tilt				
22	75-5470	1	Spacer-Bearing				
23	3296-39	1	Nut-Lock, NI				



Engine Installation Assembly

Ref	Part No.	Qty.	Description
1	85-8360	1	Gasket-Ring
2	322-8	2	Screw-HH
3	33113-008	3	Screw-HH
4	3255-7	3	Washer-Lock/ext
5	3269-32	2	Rivet-Pop
6	95-0645	1	Plate-Surface, Hot
7	95-5827-03	1	Shield-Muffler
10	98-0960	1	Muffler-Inlet, Dual
11	2412-98	1	Clamp
12	38-3400	1	Guard-Rubber
13	47-2964	1	Hose-Fuel
14	3296-29	4	Nut-Lock, NI
15	3254-2	1	Washer-Lock, Int
16	94-4519	1	Tube-Convolute
17	3290-378	4	Tie-Cable
18	3296-39	4	Nut-Lock, NI
19	322-4	8	Screw-HH
20	3256-24	8	Washer-Flat
21	83-1031	4	Mount-Engine
22	3296-29	8	Nut-Lock, NI
23	85-8600-01	1	Support-Engine
24	323-5	4	Screw-HH
25	323-10	2	Screw-HH
26	322-10	2	Screw-HH
27	323-11	2	Screw-HH

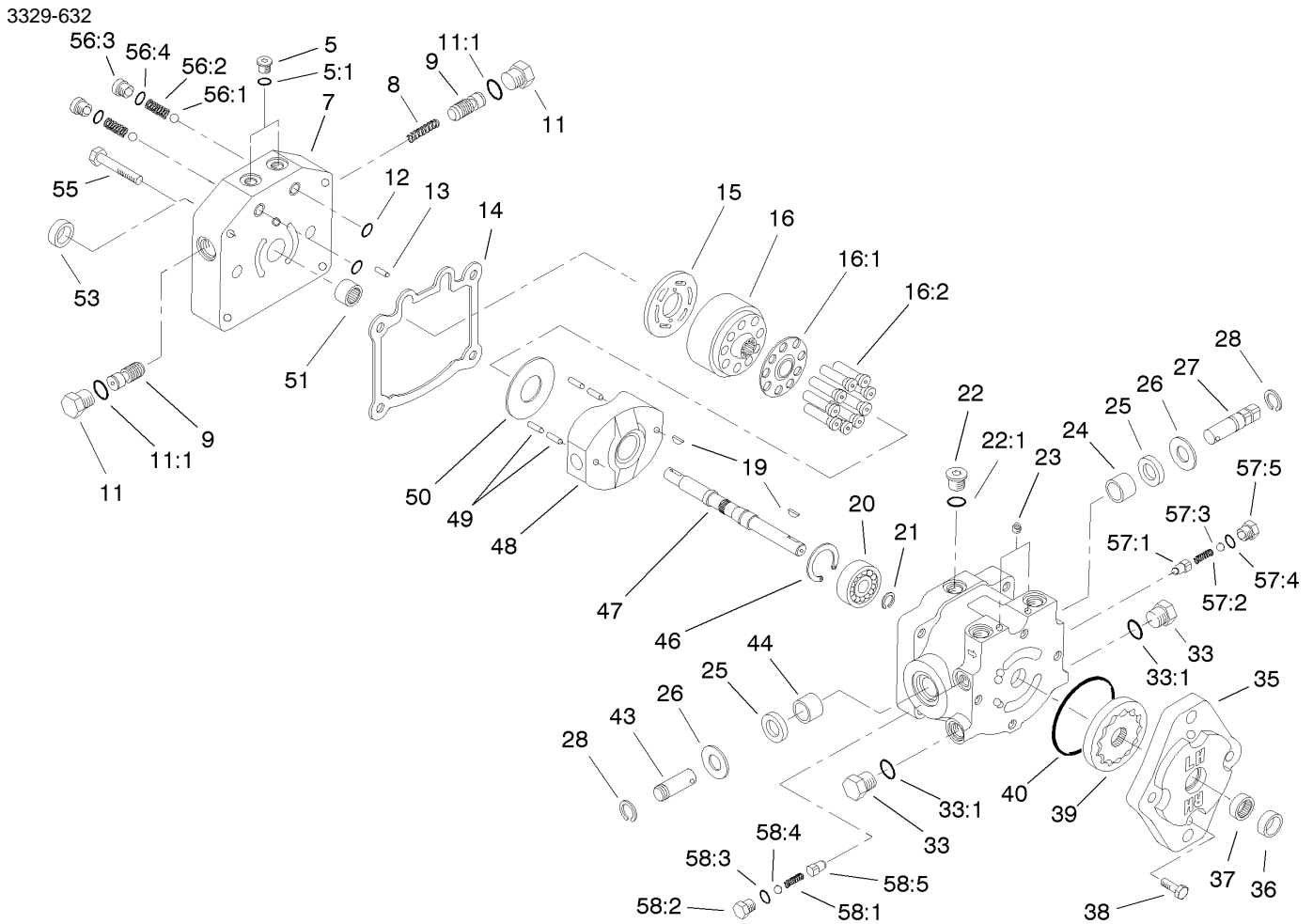
Ref	Part No.	Qty.	Description
28	85-8640-03	1	Base-Engine
29	98-0930	1	Engine-B & S 350447-1116-E1
30	75-4705	1	Hose-Fuel
31	85-8430-03	1	Base-Cleaner, Air
32	95-0632-03	1	Cover ASM
33	3210-2	2	Screw-HH
34	98-0953-03	1	Cover-Cleaner, Air



Hydraulic Pump Installation Assembly

Ref	Part No.	Qty.	Description
2	85-9610	2	Hose-HYD
3	98-0938	1	Pump Reserve Tube ASM
3:1	237-30	1	O-Ring
5	3296-23	2	Nut-Lock, NI
6	3241-5	6	Screw-Set
7	322-4	8	Screw-HH
8	27-6600	8	Spacer-Coupling
9	80-8650	2	Coupling-Drive
10	3296-29	8	Nut-Lock, NI
11	85-8770	1	Coupling
12	85-9020	1	Key-Square
13	85-8730	1	Hub-Engine
14	85-8700	1	Hub-Pump
15	95-0629	1	Fitting-Hose, Push On
15:1	237-80	1	O-Ring
16	98-0969	1	Hose-Inlet, Pump
17	2412-129	1	Clamp-Hose
18	98-0989	1	Hose-HYD
19	340-77	2	Fitting-Hyd, 90 DEG
19:1	237-22	1	O-Ring
19:2	237-42	1	O-Ring
20	85-9590	1	Hose-HYD
22	85-8670	1	Hub-Fan
23	85-9560	1	Fan
24	104-2065	4	Screw-HWH

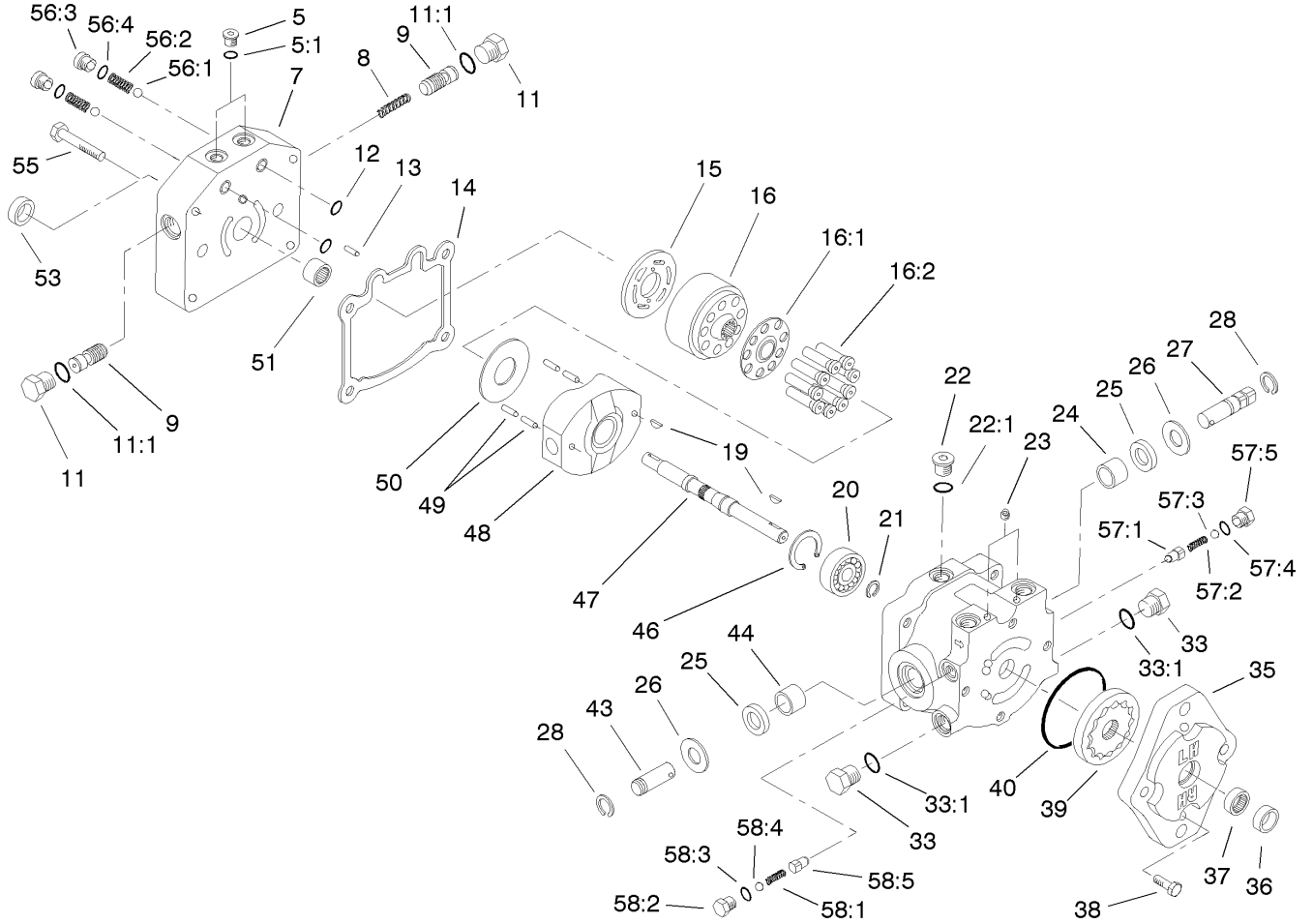
Ref	Part No.	Qty.	Description
25	106-9249	1	Pump-Reversible, Variable
26	3274-5	2	Screw-HSH
27	340-98	2	Fitting-Hyd, 90 DEG
27:1	237-79	1	O-Ring
27:2	237-30	1	O-Ring
28	354-126	1	Fitting-Hyd, 45 DEG
28:1	237-79	1	O-Ring
29	2412-36	1	Clamp-Hose
30	85-9450	1	Hose-Return



Variable Reversible Pump Installation Assembly No. 106-9249

Ref	Part No.	Qty.	Description
5	92-8776	2	Plug
5:1	92-8777	1	O-Ring
7	95-5808	1	Cap-End
8	25-2610	1	Spring-Valve
9	98-0920	2	Valve-Acceleration
11	28-3440	2	Plug-Threaded
11:1	75-0240	1	O-Ring
12	93-4132	2	O-Ring
13	25-2430	1	Pin-Dowel
14	25-2400	1	Gasket
15	88-8160	1	Plate-Valve
16	48-1800	1	Cylinder Block Kit
●16:1		1	Retainer-Slipper
●16:2		9	Piston ASM
19	3257-32	2	Key-Woodruff
20	95-5809	1	Bearing-Ball
21	94-3996	1	Ring-Retaining
22	353-988	1	Plug-Hex, Hollow
22:1	237-79	1	O-Ring
23	285-17	2	Plug-Pipe
26	25-2510	2	Washer-Flat
27	25-2500	1	Shaft-Trunnion
28	32151-46	2	Ring-Retaining
33	88-8210	2	Plug
33:1	237-80	1	O-Ring

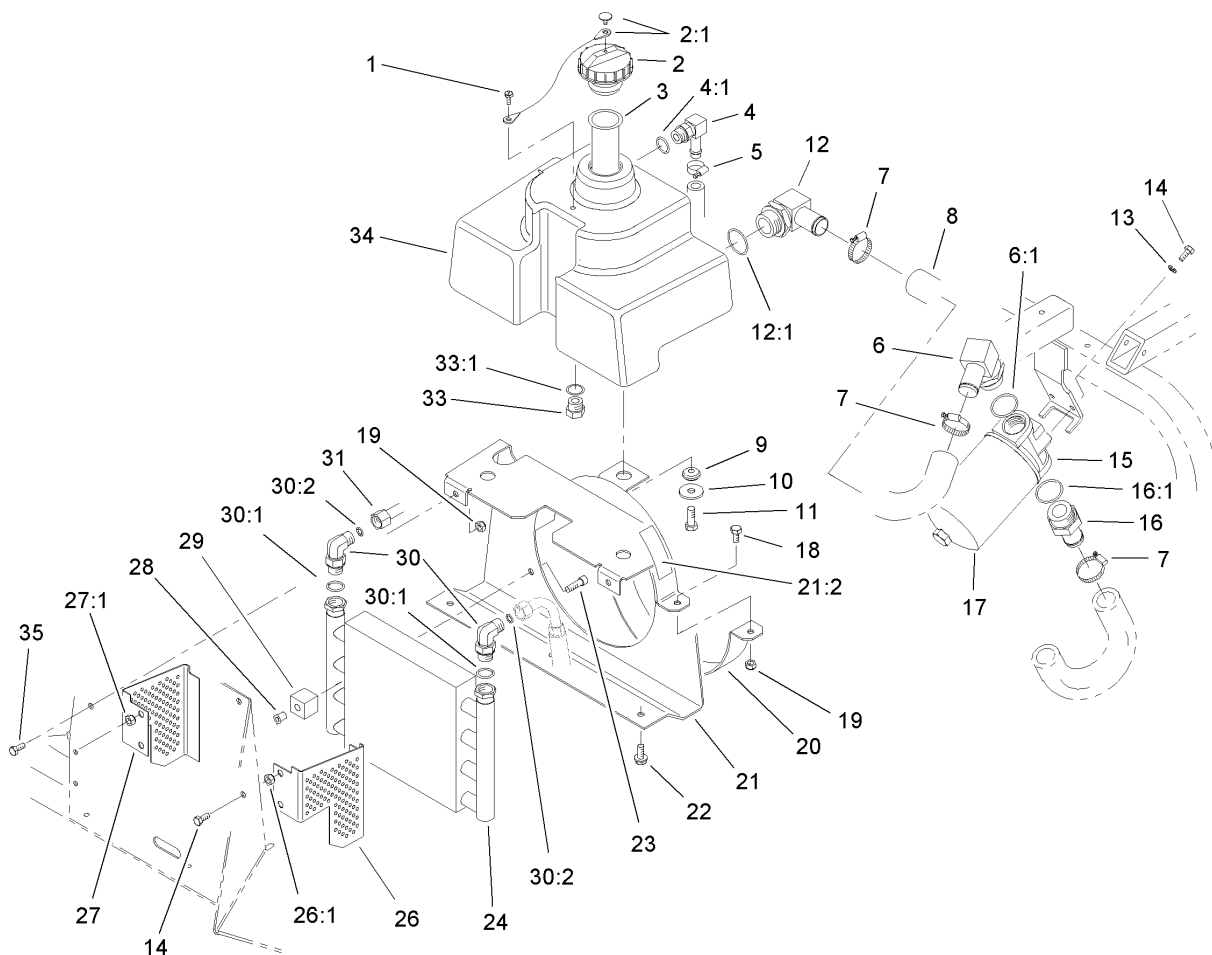
Ref	Part No.	Qty.	Description
35	25-2690	1	Housing-Pump, Charge
36	67-8060	1	Seal-Lip
37	67-8050	1	Bearing-Needle
38	322-4	4	Screw-HH
39	95-5812	1	Gerotor ASM
40	237-95	1	O-Ring
43	88-8180	1	Shaft-Trunnion
45	88-8170	1	Housing Kit
45:1	88-8190	1	Bearing-Journal
45:2	25-3210	2	Seal-Lip
45:3	252-82	1	Bearing-Needle
46	32120-11	1	Ring-Retaining
47	95-5810	1	Shaft
48	25-2450	1	Plate-Swash, Variable
49	32121-91	4	Pin-Spring, Coil
50	25-2380	1	Plate-Thrust
51	46-8400	1	Bearing-Shaft
53	88-8230	1	Seal-Lip
●54		1	Washer
55	323-45	4	Screw-HH
●56	99-5689	1	Check Valve ASM
56:1	25-2490	1	Ball
56:2	25-2640	1	Spring-Valve
56:3	25-2650	1	Plug-Valve, Check
56:4	237-86	1	O-Ring



Variable Reversible Pump Installation Assembly No. 106-9249 (continued)

Ref	Part No.	Qty.	Description
●57	49-8520	1	Implement Relief Kit
57:1	83-7260	1	Cone-Relief, Charge
57:2	25-2570	1	Spring-Valve
57:3	25-2470	1	Pack-Shim
57:4	237-86	1	O-Ring
57:5	25-2460	1	Plug-HH
●58	49-8510	1	Valve Kit
58:1	25-2480	1	Spring-Valve
58:2	25-2460	1	Plug-HH
58:3	237-86	1	O-Ring
58:4	25-2470	1	Pack-Shim
58:5	83-7260	1	Cone-Relief, Charge

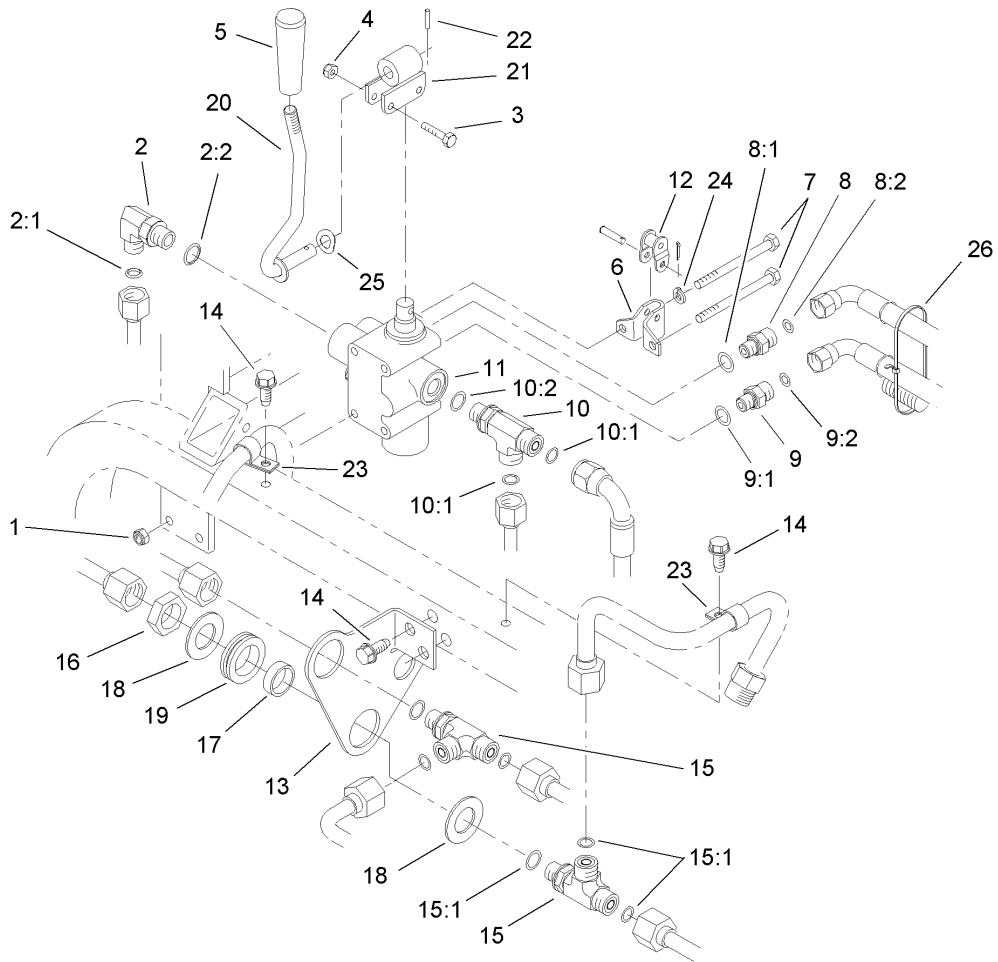
--	--	--	--



Hydraulic Reservoir Assembly

Ref	Part No.	Qty.	Description
1	57-5420	1	Screw-Shoulder
2	93-4365	1	Cap-Oil
2:1	75-0540	1	Tether And Button Kit
3	85-9510	1	Filler-Screen
4	354-120	1	Fitting-Hyd, 90 DEG
4:1	237-79	1	O-Ring
5	2412-36	1	Clamp-Hose
6	353-987	1	Fitting-Hyd, 90 DEG
6:1	237-81	1	O-Ring
7	2412-129	3	Clamp-Hose
8	98-0970	1	Hose-Filter, Inlet
9	240-11	3	Grommet-Mount, Tank
10	63-8410	3	Washer
11	323-5	3	Screw-HH
12	98-0971	1	Fitting-Hyd, 90 DEG
12:1	237-117	1	O-Ring
13	3253-3	2	Washer-Lock
14	321-4	6	Screw-HH
15	68-8990	1	Filter Head ASM
16	354-73	1	Fitting
16:1	237-81	1	O-Ring
17	23-9740	1	Filter-Oil
18	322-2	2	Screw-HH
19	3296-29	4	Nut-Lock, NI
20	85-8570-03	1	Shroud-Upper

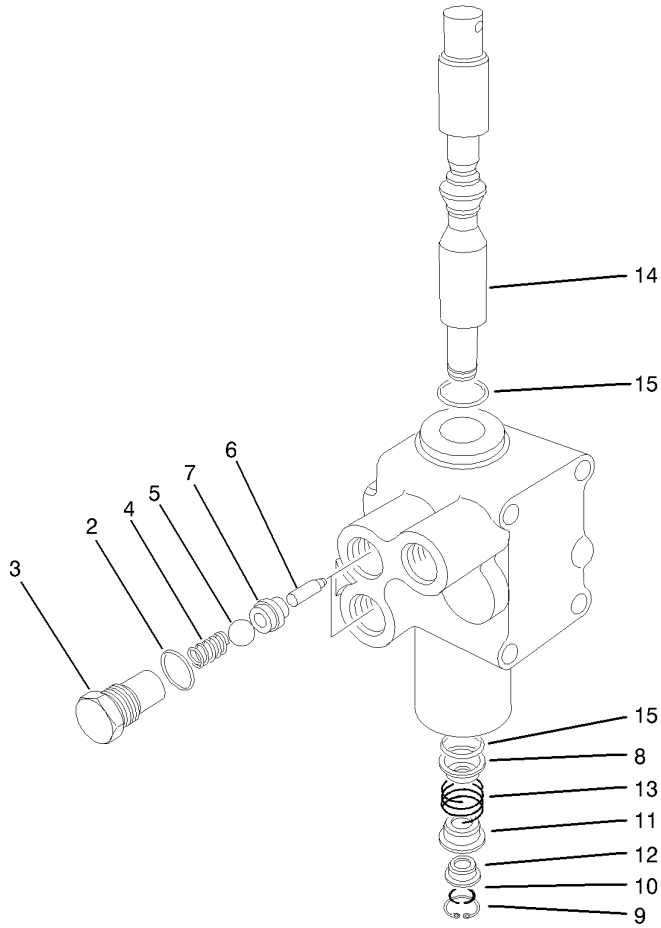
Ref	Part No.	Qty.	Description
21	98-8151	1	Cooler Mount ASM
21:2	93-7272	2	Decal-Warning
22	32144-11	3	Screw-TAP
23	3274-86	2	Screw-HSH
24	85-9460	1	Cooler-Oil
26	88-8120	1	Screen-Cooler, LH
26:1	32148-6	2	Insert-Nut
27	88-8110	1	Screen-Cooler, RH
27:1	32148-6	2	Insert-Nut
28	85-9670	2	Nut
29	85-9550	2	Clamp-Rubber
30	340-18	2	Fitting-Hyd, 90 DEG
30:1	237-79	1	O-Ring
30:2	237-22	1	O-Ring
31	98-0987	1	Tube
33	353-550	1	Plug-HYD
33:1	237-79	1	O-Ring
34	92-8959	1	Tank-HYD
35	322-3	2	Screw-HH



Hydraulic Plumbing Assembly

Ref	Part No.	Qty.	Description
1	3296-8	2	Nut-Lock, NI
2	340-77	1	Fitting-Hyd, 90 DEG
2:1	237-22	1	O-Ring
2:2	237-42	1	O-Ring
3	3290-360	2	Screw-HH
4	3296-2	2	Nut-Lock
5	233-39	1	Knob-Control
6	88-8480	1	Bracket-Pivot
7	321-23	4	Screw-HH
8	85-9720	1	Fitting-Orificed
8:1	237-78	1	O-Ring
8:2	237-21	1	O-Ring
9	340-92	1	Fitting-Hyd, Straight
9:1	237-78	1	O-Ring
9:2	237-21	1	O-Ring
10	340-86	1	Fitting-Hyd, Tee
10:1	237-22	2	O-Ring
10:2	237-42	1	O-Ring
11	43-1710-01	1	Valve ASM
12	2710-20	1	Link-Offset
13	98-0963-01	1	Bracket-Bulkhead
14	32144-11	4	Screw-TAP
15	340-121	2	Fitting-Tee, HYD
15:1	237-30	3	O-Ring
16	340-127	2	Nut-Bulkhead

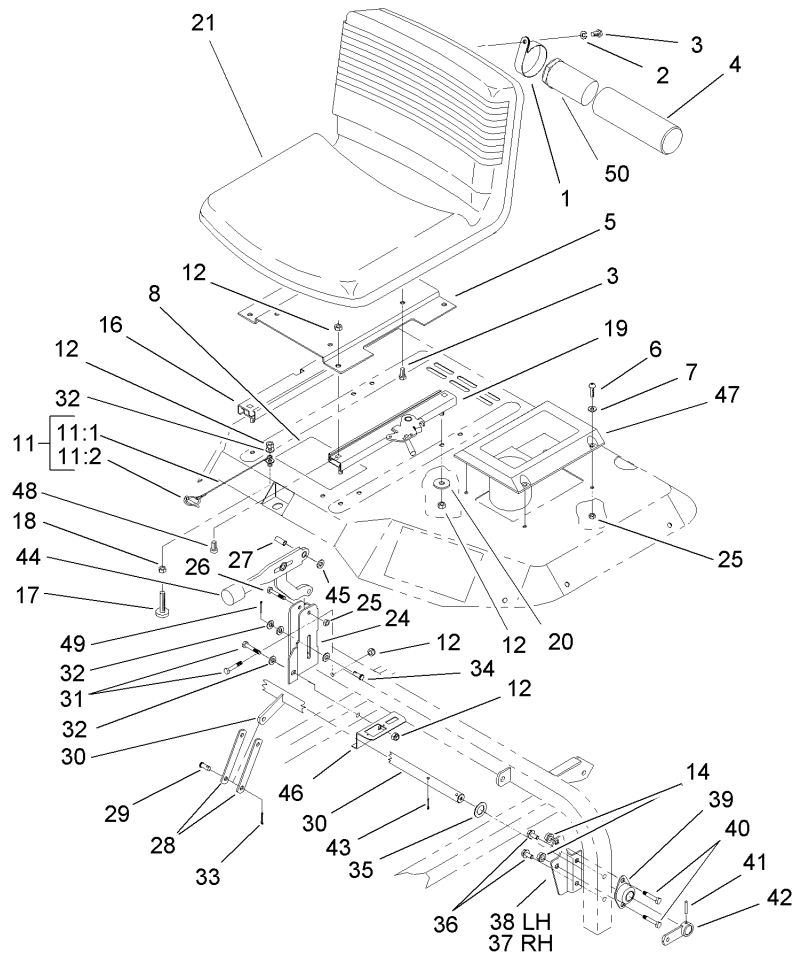
Ref	Part No.	Qty.	Description
17	69-8960	2	Spacer
18	69-8930	4	Washer
19	240-5	2	Grommet
20	99-1632	1	Lift Lever ASM
21	98-8159	1	Pivot
22	32121-73	1	Pin-Roll
23	2412-138	2	R-Clamp
24	3253-3	2	Washer-Lock
25	3290-477	1	Washer-Curved
26	3290-378	1	Tie-Cable



Valve Assembly No. 43-1710-01

Ref	Part No.	Qty.	Description
2	237-42	2	O-Ring
3	22-8330	2	Plug
4	22-8340	2	Spring
5	22-8350	2	Ball
6	22-8360	2	Pin
7	22-8370	2	Seat-Valve
8	22-8380	1	Retainer
9	22-8490	1	Ring-Snap
10	22-8480	1	Ring-Snap
11	22-8390	1	Retainer
12	22-8400	1	Spacer
13	22-8410	1	Spring
14	22-8420	1	Spool
15	22-8500	2	O-Ring

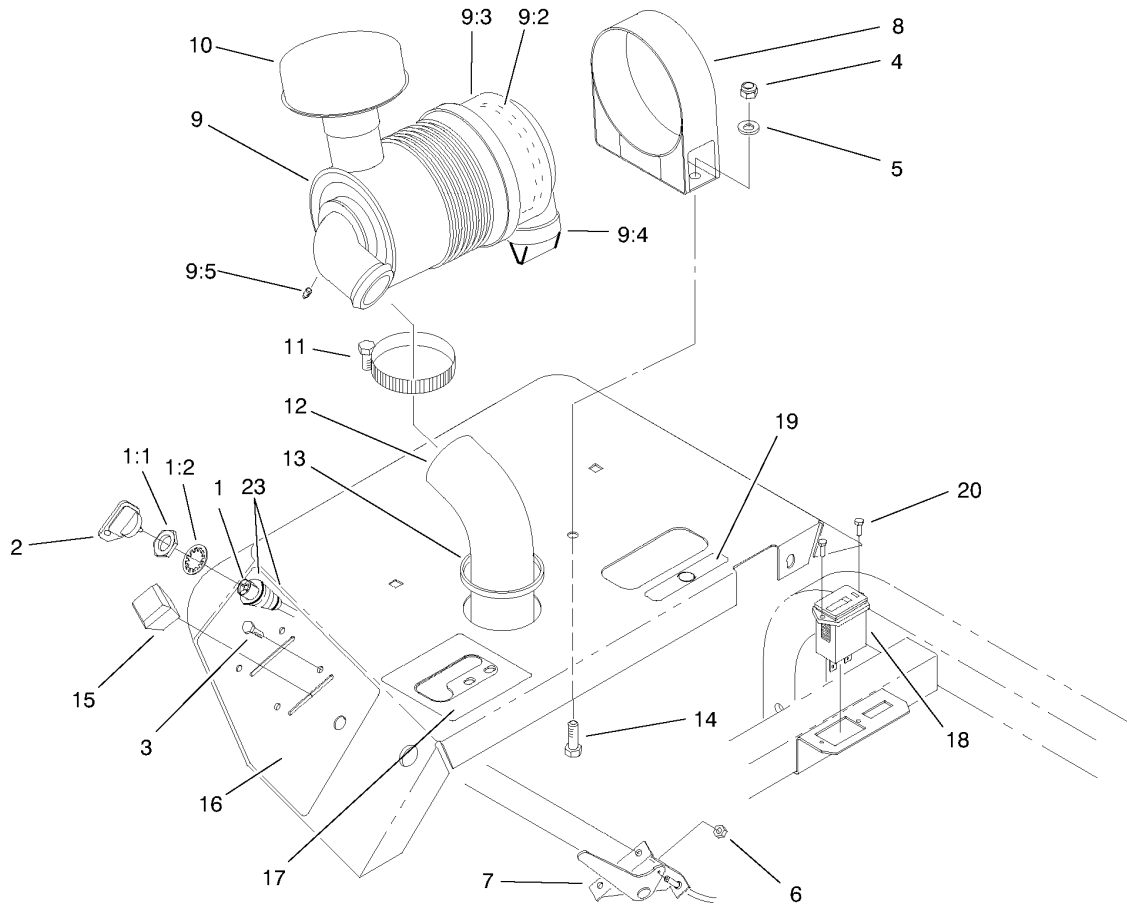
--	--	--	--



Seat and Brake Assembly

Ref	Part No.	Qty.	Description
1	2412-133	2	R-Clamp
2	3253-4	2	Washer-Lock
3	322-2	6	Screw-HH
4	104-7050	1	Housing-Manual
5	85-9660-03	1	Plate-Adjustment, Seat
6	3258-166	4	Screw
7	3256-1	4	Washer-Flat
8	98-0977	1	Decal-Service
11	98-0979	1	Lynch Pin ASM
11:1	28-8070	1	Lanyard
11:2	3290-495	1	Pin-Klik
12	3296-29	12	Nut-Lock, NI
14	3296-39	4	Nut-Lock, NI
16	51-0780	1	Slider-Seat
17	32141-36	2	Screw-Adjustment, Level
18	3218-2	2	Nut-Jam
19	51-0790	1	Adjuster-Seat, LH
20	63-8410	4	Washer
21	92-8976	1	Seat
24	95-5823	1	Bracket-Lever
25	3296-42	5	Nut-Lock, NI
26	321-9	1	Screw-HH
27	87-4710	1	Spacer-Brake, Parking
28	95-5844	2	Strap
29	283-62	1	Pin-Clevis

Ref	Part No.	Qty.	Description
30	95-5848	1	Rod-Traverse
31	322-11	2	Screw-HH
32	3256-23	6	Washer-Flat
33	3272-10	1	Pin-Cotter
34	94-3829	1	Pin-Clevis
35	67-9410	2	Washer
36	32144-14	4	Screw-HWH
37	98-0901	1	Bracket-Bearing, RH
38	98-0900	1	Bracket-Bearing, LH
39	27-2320	2	Bearing
40	3234-1	4	Screw-HHF
41	32121-6	2	Pin-Roll
42	83-9310	2	RH Brake Lever ASM
43	3272-12	2	Pin-Cotter
44	87-2710	1	Lever-Brake
45	3290-477	1	Washer-Curved
46	98-0922	1	Bracket-Hourmeter
47	69-7040	1	Holder-Cup
48	3274-12	4	Screw-HSH
49	3272-6	1	Pin-Cotter
50	104-7048	1	Cap-Housing

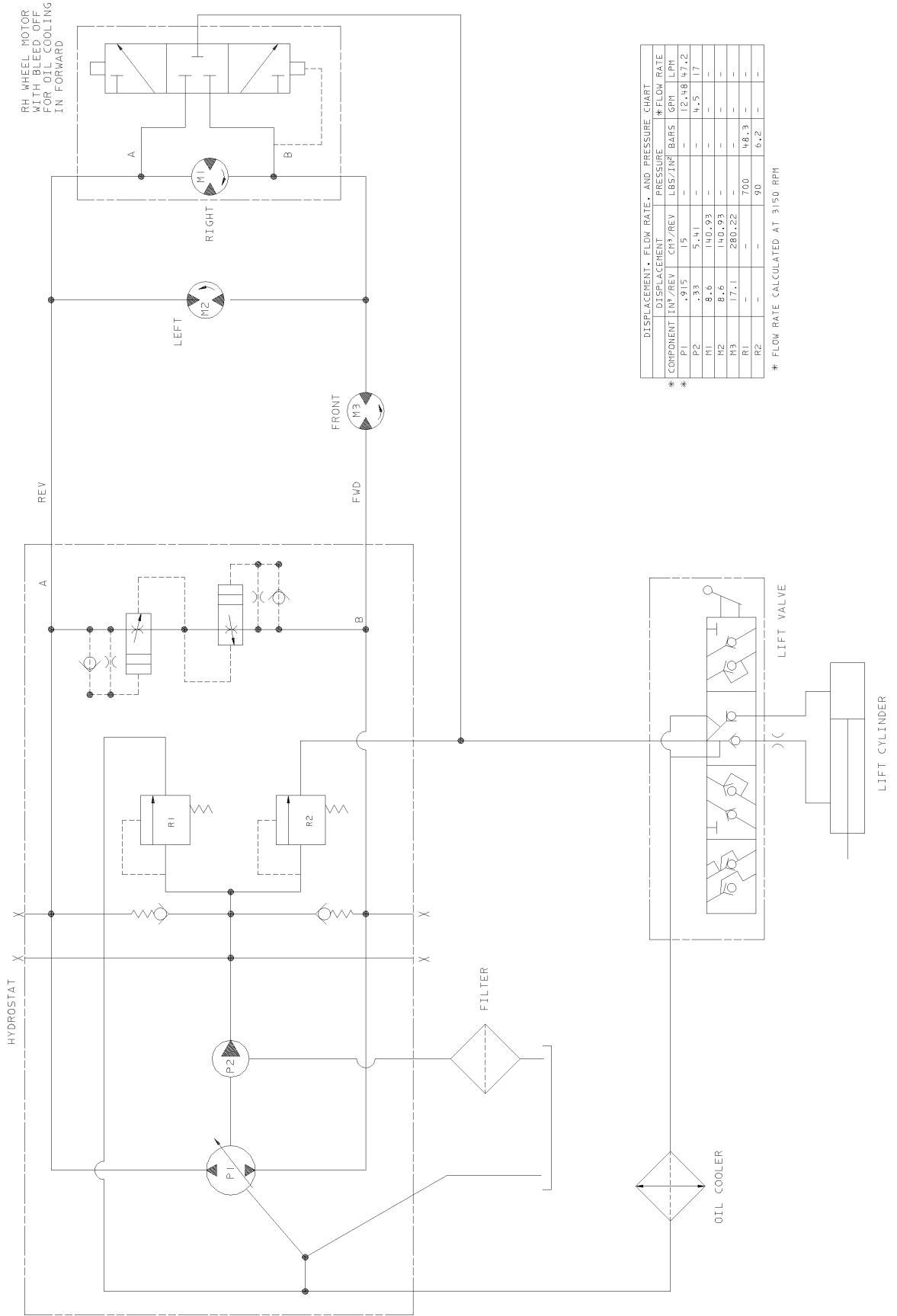


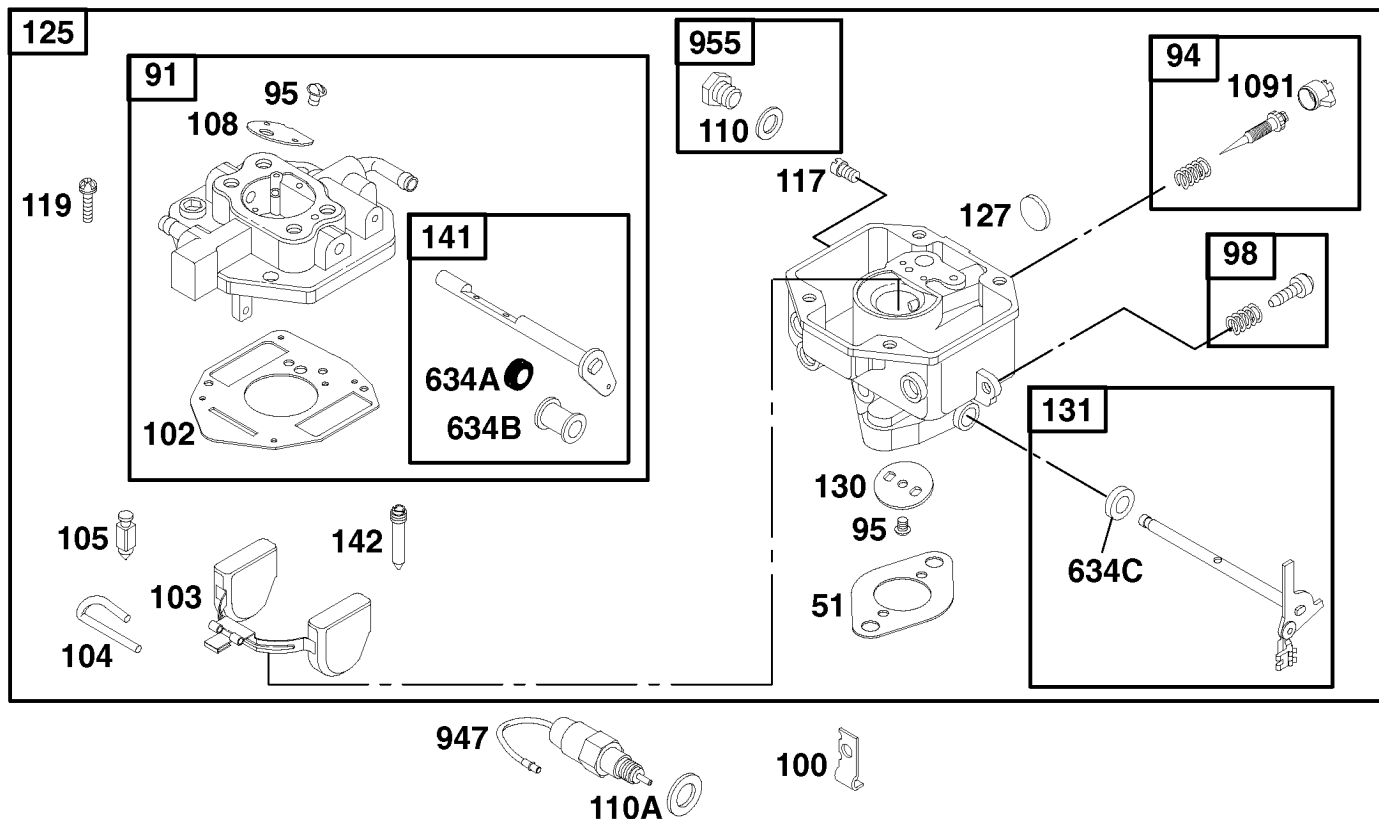
Air Cleaner and Control Panel Assembly

Ref	Part No.	Qty.	Description
1	83-0020	1	Switch-Starter
1:1	218-461	1	Nut-HH
1:2	3254-5	1	Washer-Tooth
2	63-8360	2	Key-Ignition
3	32105-13	4	Screw-SHH
4	3296-29	2	Nut-Lock, NI
5	3256-23	2	Washer-Flat
6	3296-2	4	Nut-Lock
7	98-0991	2	Control-Choke And Throttle
8	95-5806	1	Bracket-Mounting
9	93-2190	1	Air Cleaner ASM
9:2	93-2195	1	Filter
9:3	94-3652	1	Cover ASM
9:4	94-1414	1	Valve-Vacuator
9:5	285-17	1	Plug-Pipe
10	46-7510	1	Hood-Inlet, Air
11	2412-130	2	Clamp-Hose
12	92-8977	1	Hose-Cleaner, Air
13	237-164	1	Grommet
14	322-5	2	Screw-HH
15	66-0120	2	Knob
16	98-0975	1	Decal-Panel, Control
17	98-0984	1	Decal-Lift
18	75-6820	1	Hourmeter
19	93-7442	1	Decal-Lever, Parking

Ref	Part No.	Qty.	Description
20	32144-18	2	Screw-HH
23	3290-378	2	Tie-Cable

Hydraulic Schematic



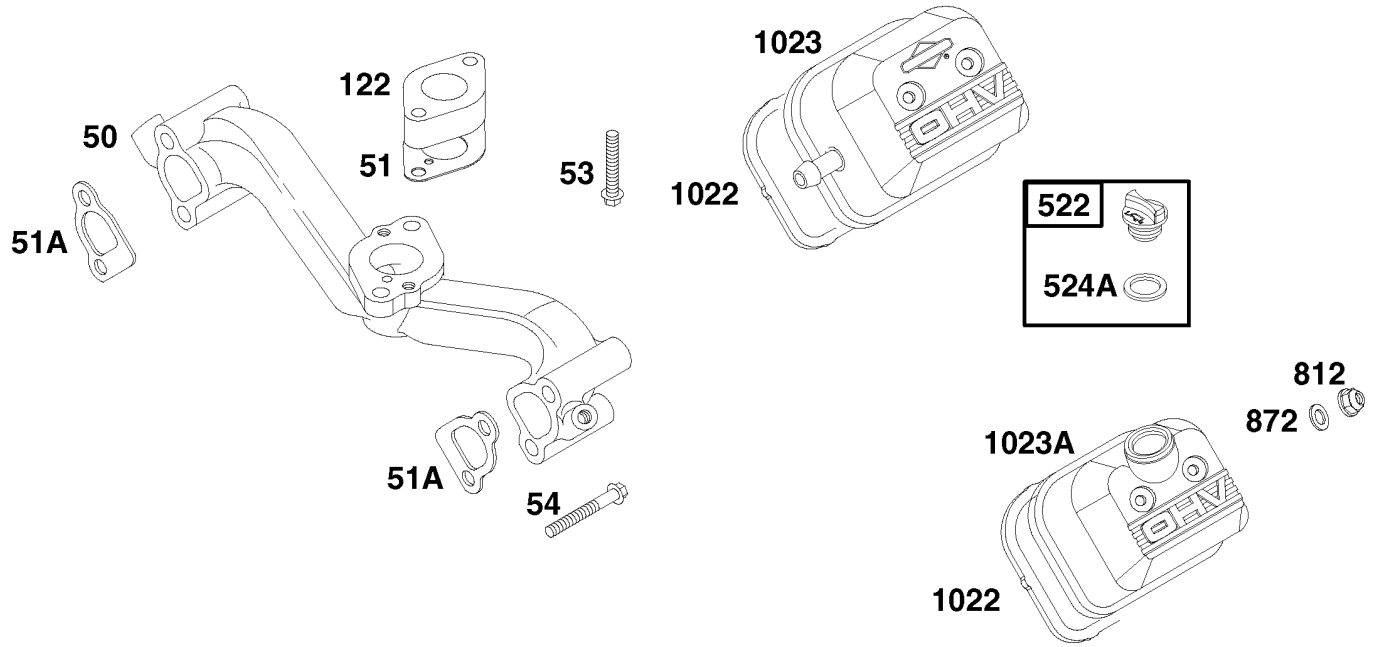


Assemblies include all parts shown in frames.

Carburetor Assembly Briggs and Stratton 350447-1116-E1

Ref	Part No.	Qty.	Description
51	805700	1	Gasket-Intake
91	808396	1	Body Assembly-Upper
94	808399	1	Idle Mixture Kit
95	805538	1	Screw
98	808177	1	Screw
100	806283	1	Stop-Throttle
102	805541	1	Gasket-Intake Elbow
103	805546	1	Fioatassembly
104	805545	1	Float Hinge Pin
105	805547	1	Valve-Needle
108	806134	1	Choke Valve
110	805549	1	Washer-Seal
110A	806137	1	Washer
117	806126	1	Jet-Main
117	808413	1	Jet-Main (high Altitude)
119	805540	1	Screw
125	808370	1	Carburetor Assembly
127	805559	1	Plug-Welch
130	806132	1	Throttle Valve
131	808397	1	Shaft-Throttle
141	808398	1	Shaft-Choke
142	806128	1	Carburetor Nozzle
634A	805544	1	Seal-Shaft
634B	805543	1	Collar-Choke

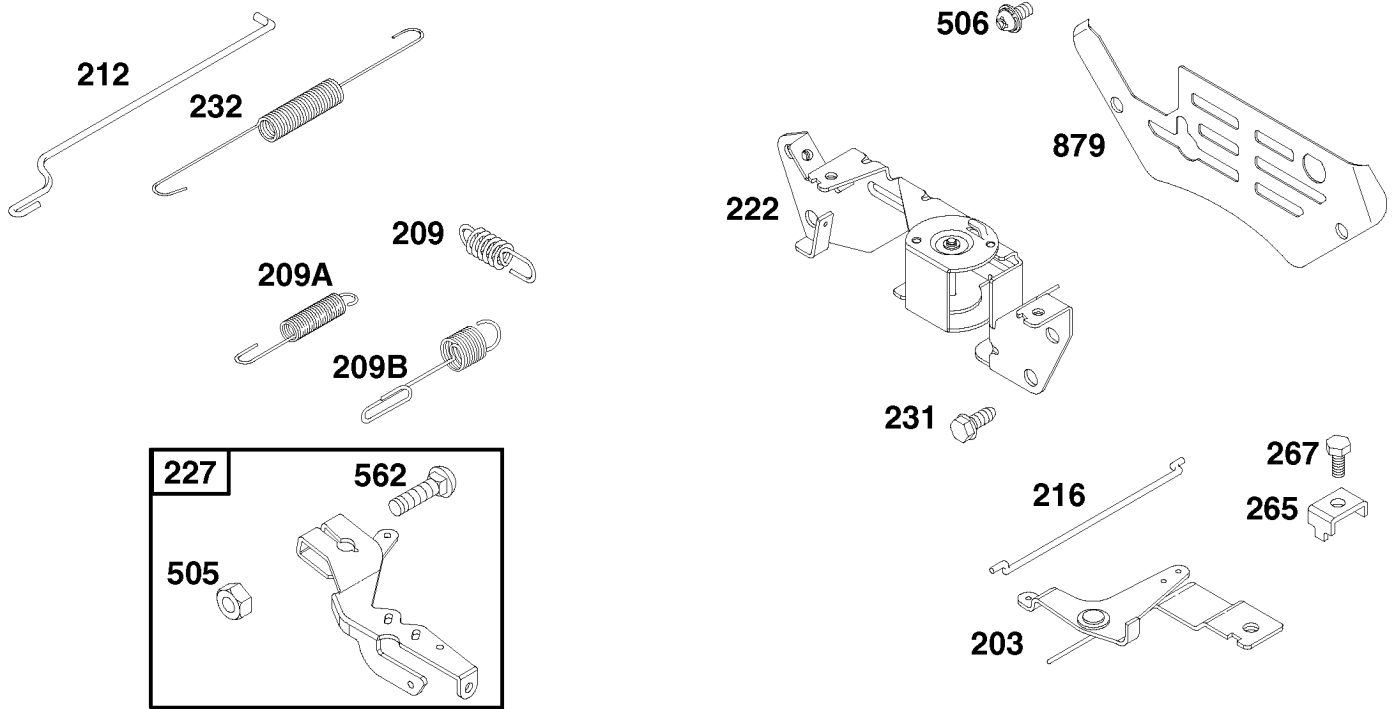
Ref	Part No.	Qty.	Description
634C	806131	1	Seal-Shaft
947	807664	1	Solenoid
955	807723	1	Carburetor Plug
1091	805862	1	Cap-Limiter



Assemblies include all parts shown in frames.

Valve Cover and Exhaust Manifold Assembly Briggs and Stratton 350447-1116-E1

Ref	Part No.	Qty.	Description				
50	805772	1	Manifold-Intake				
④ 51	805700	1	Gasket-Intake				
④ ⑤ 51A	805023	1	Gasket-Intake				
53	805466	1	Saew				
54	805006	1	Screw				
122	805673	1	Spacer-Carburetor				
④ ⑤ 872	805420	1	Washer				
522	491832	1	Plug-Oil Filler				
524A	271983	1	Seal-Filler Plug				
⑤ 812	805019	1	Nut-Lock				
④ ⑤ 1022	806039	1	Gasket-Valve Cover				
1023	805100	1	Cover-Valve				
1023A	808032	1	Cover-Valve				

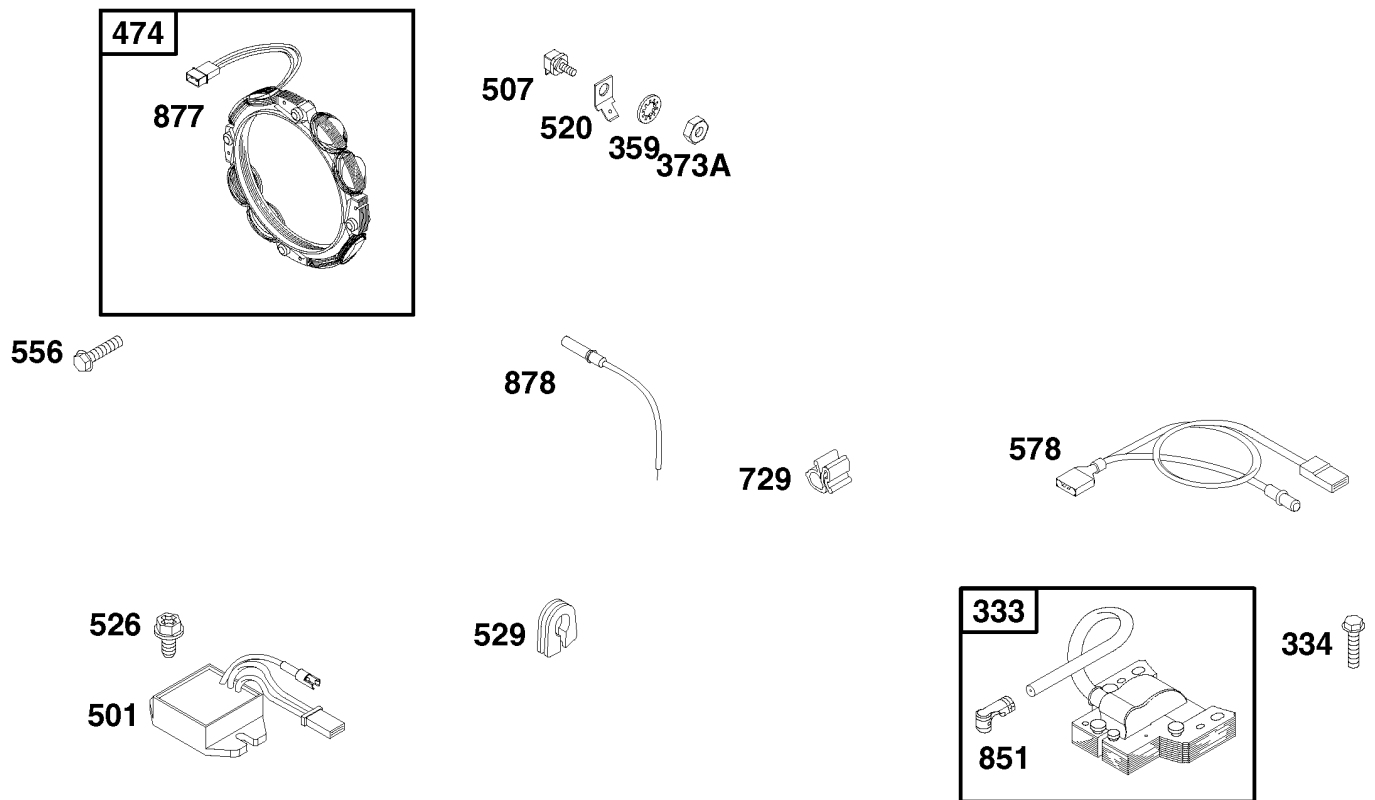


Assemblies include all parts shown in frames.

Governor Assembly Briggs and Stratton 350447-1116-E1

Ref	Part No.	Qty.	Description
203	807609	1	Control-Choke
209	805463	1	Governor Spring
209A	805450	1	Spring-Governor
209B	806060	1	Spring-Governor (idle)
212	805480	1	Link
216	805439	1	Link
222	808195	1	Bracket-Control
227	807528	1	Lever-Governor
232	805465	1	Spring-Link
265	221535	1	Clamp-Casing
267	805762	1	Screw-HH
321	805025	1	Screw
505	805383	1	Nut
506	805009	1	Screw
562	805381	1	Bolt
879	805841	1	Cover-Carburetor

--	--	--	--

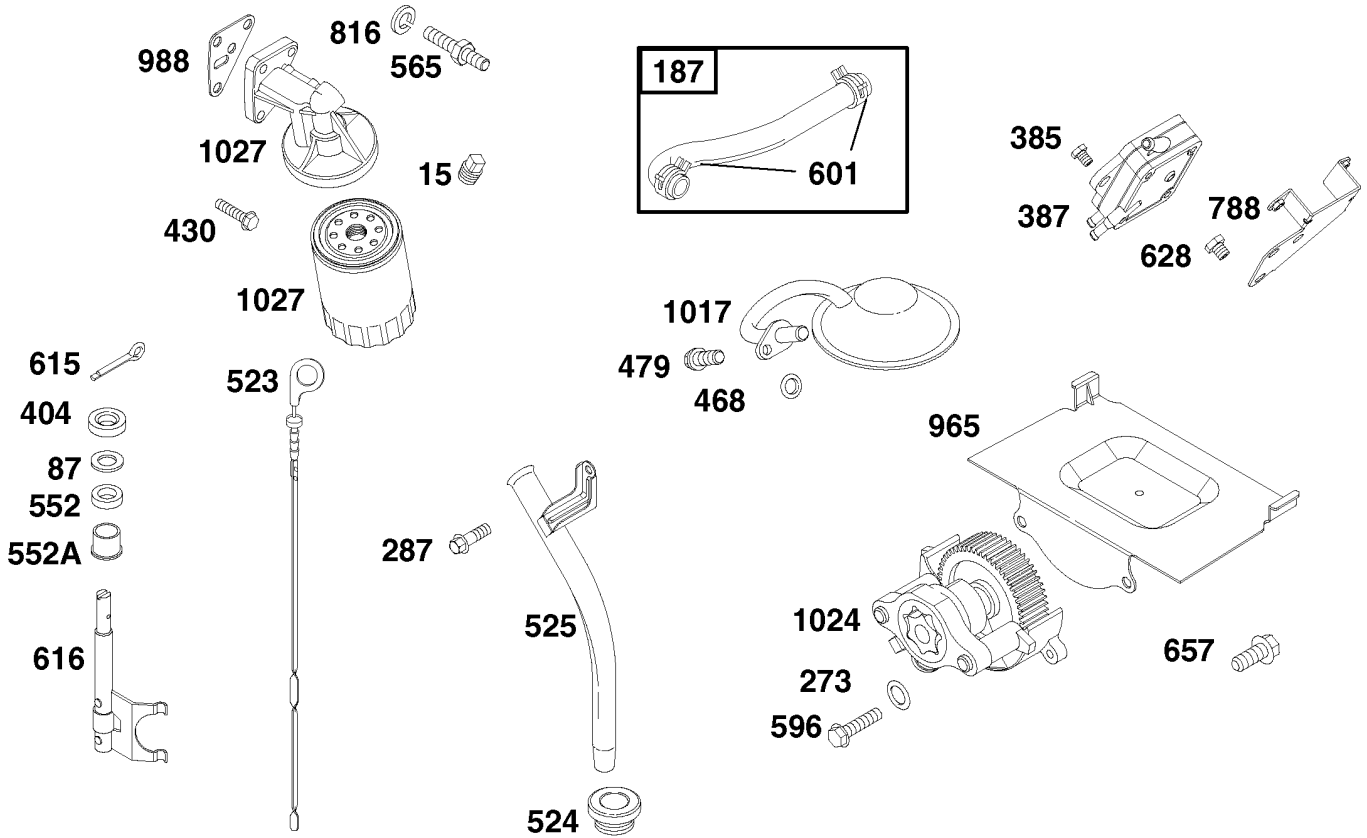


Assemblies include all parts shown in frames.

Ignition Component Assembly Briggs and Stratton 350447-1116-E1

Ref	Part No.	Qty.	Description
333	492341	1	Armature-Magneto
334	805407	1	Screw-HH
359	92791	1	Washer-Lock
373A	90576	1	Nut
556	805407	1	Screw-HH
474	393295	1	Alternator
501	394890	1	Regulator
507	398525	1	Insulator
520	93722	1	Terminal
526	805448	1	Screw
529	805641	1	Grommet
578	493792	1	Wire-Stop
729	280470	1	Clip-Wire
851	493880	1	Terminal-Cable
877	399916	1	Alternator Harness
878	393422	1	Harness-Alternator

--	--	--	--

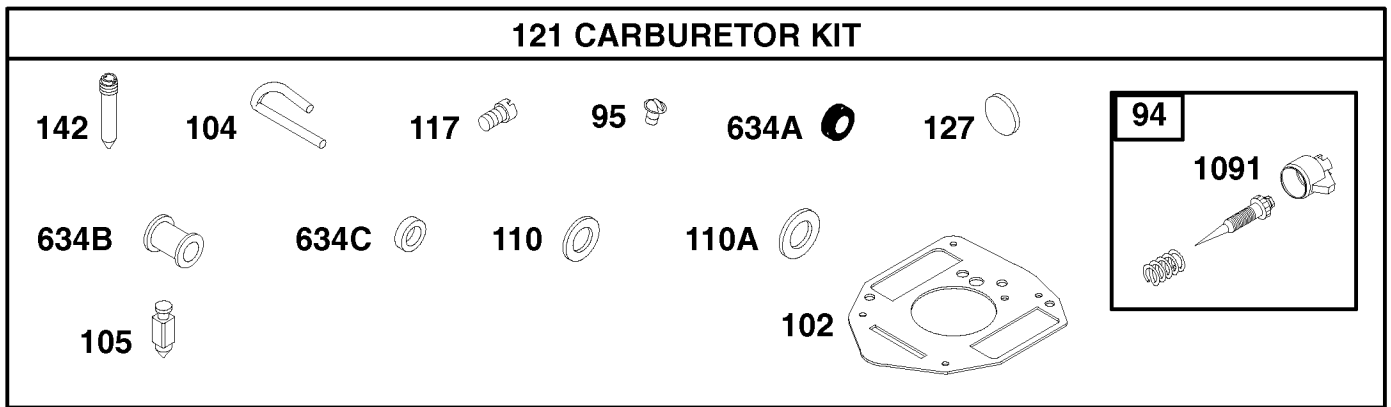


Assemblies include all parts shown in frames.

Oil Pump and Oil Filter Assembly Briggs and Stratton 350447-1116-E1

Ref	Part No.	Qty.	Description
15	805059	1	Plug-Oil
87	805054	1	Seal-Governor Shaft
187	398367	1	Hose-Fuel
273	805058	1	Seal-O Ring
287	805247	1	Screw
385	693169	1	Screw (fuel Pump)
387	808656	1	Fuel Pump
430	805030	1	Screw
468	805316	1	Seal-O Ring
479	805317	1	Screw-Hfh
523	693175	1	Dipstick
524	693172	1	Seal-Fill Tube
525	693174	1	Dipstick Tube
552	805412	1	Bushing-Governor Shaft
552A	805413	1	Bushing-Governor Shaft
565	805073	1	Stud-Hex. Drive
596	805057	1	Screw
601	93807	1	Clamp-Hose
615	806096	1	Pin-Cotter
616	807596	1	Fork-Governor
628	805025	1	Screw
657	805406	1	Screw
788	807685	1	Bracket-Pump
816	805449	1	Washer
988	805250	1	Gasket-Adapter

Ref	Part No.	Qty.	Description
965	805654	1	Deflector-Oil
1017	807598	1	Screen-Oil Pump
1024	807644	1	Pump-Oil
1027	492932	1	Filter-Oil



Assemblies include all parts shown in frames.

Carburetor Overhaul Kit Briggs and Stratton 350447-1116-E1

Ref	Part No.	Qty.	Description
94	808399	1	Idle Mixture Kit
95	805538	1	Screw
102	805541	1	Gasket-Intake Elbow
104	805545	1	Float Hinge Pin
105	805547	1	Valve-Needle
110	805549	1	Washer-Seal
110A	806137	1	Washer
117	806126	1	Jet-Main
121	808395	1	Carburetor Kit
127	805559	1	Plug-Welch
142	806128	1	Carburetor Nozzle
634A	805544	1	Seal-Shaft
634B	805543	1	Collar-Choke
634C	806131	1	Seal-Shaft
1091	805862	1	Cap-Limiter

