



Count on it.

Parts Catalog

Multi Pro® WM Turf Sprayer

Model No. 41240—Serial No. 40000000 and Up



Ordering Replacement Parts

To order replacement parts, please supply the part number, the quantity, and the description of each part desired.

Understanding Reference Numbers

Each identified part in an illustration has a reference number. The reference number for a part also appears in the parts list, along with other information about the part.

This catalog uses two special reference number formats, one to indicate parts in a service assembly and another to indicate the quantity of a given part in an illustration.

Service Assembly Reference Numbers

Parts in service assemblies have reference numbers in the form a:b. The a represents the reference number of the entire service assembly and the b represents a sequential number unique to each part within the service assembly.

For example, a wheel assembly might be identified by reference number 6, the tire by 6:1, the valve by 6:2, and the wheel by 6:3. When you order the assembly identified by reference number 6, you receive all parts identified by reference numbers 6:1, 6:2, and 6:3. However, you may also order any part individually. Reference numbers of this type appear in illustration and in parts lists.

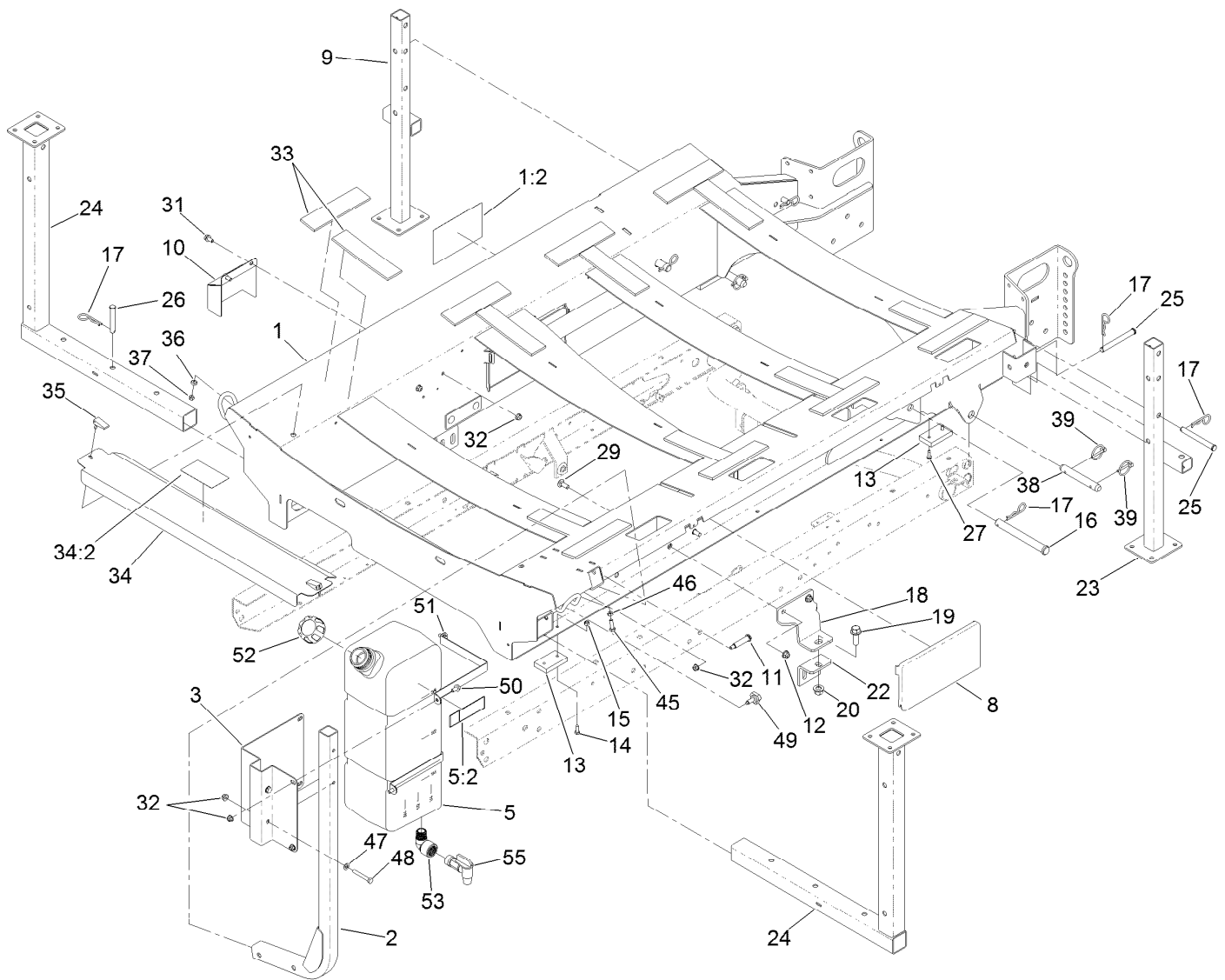
Reference Numbers Indicating Quantity

In an illustration, if a reference number indicates more than one part, the reference number has the form nX y. The n represents the quantity of the part, the X is the multiplication symbol, and the y represents the reference number.

For example, in an illustration, the reference number 2X 37 means that two of the parts identified by reference number 37 are indicated.

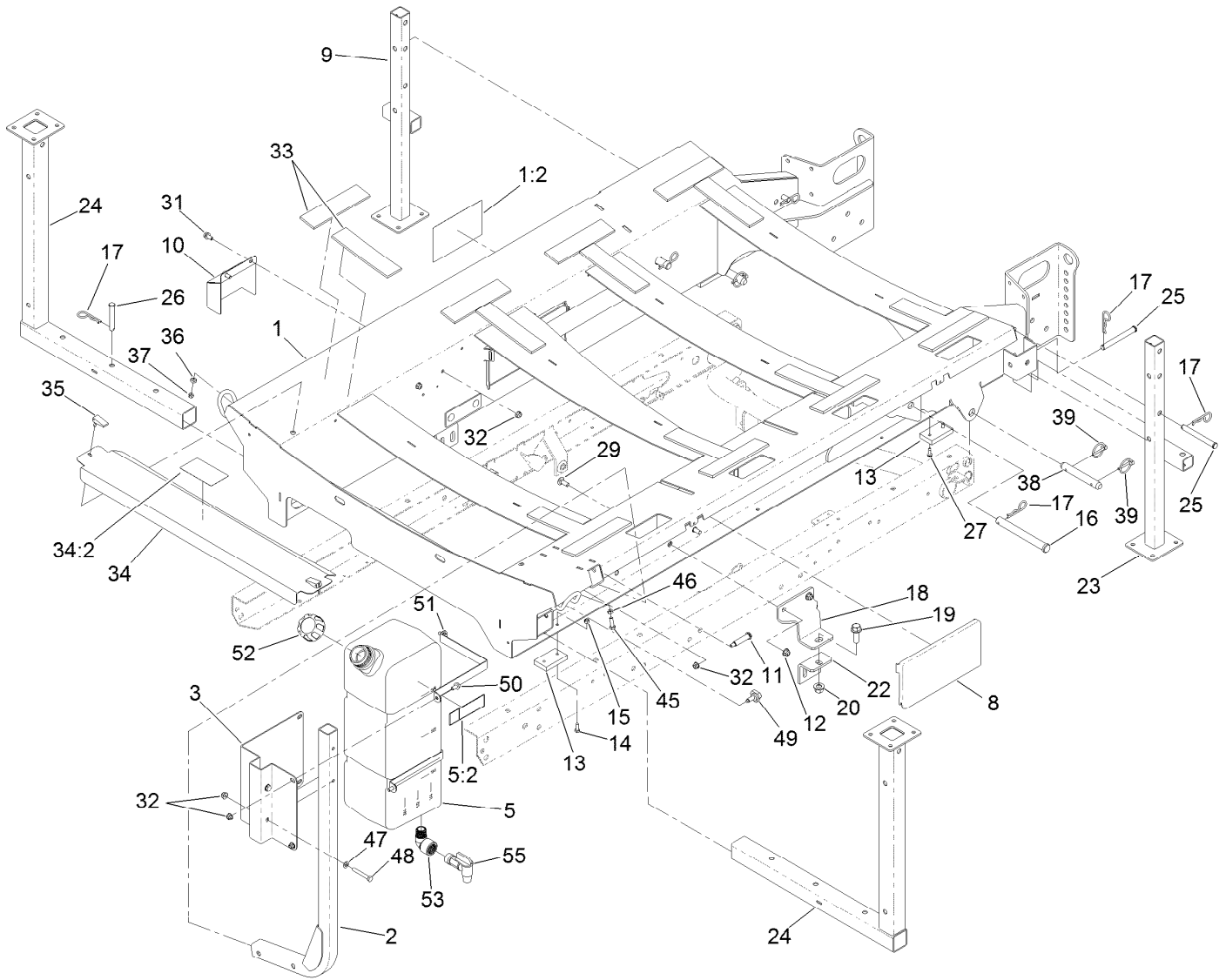
Contents

Frame, Stand and Boom Mount Assembly	4
Control Console Assembly	6
Turf Sprayer Finishing Kit No. 131-3301	7
Hydraulic Motor Assembly No. 131-5810	8
Multi Pro WM Turf Sprayer Finishing Kit No. 131-3302	9
Driveshaft Assembly No. 125-0680	10
Pump Mount Assembly	11
Pump Assembly No. 132-7768	12
Spray Tank Assembly	13
Tank Assembly No. 121-6518	14
Spray Tank Lid Assembly No. 119-9380	15
Filter Assembly No. 130-7096	16
Spray Valve Assembly	17
Agitation Valve Assembly	18
Regulating Valve Body Assembly No. 127-9804	19
Actuator Regulating Valve No. 131-3724	20
On/Off Actuator Kit No. 131-3723	21
Pressure Filter Assembly No. 131-3791	22
Manifold Valve Kit No. 131-0253	23
Manifold Valve Kit No. 131-7256	24
Flow Meter Assembly No. 106-1038	25
Section Valve Manifold Assembly	26
On/Off Manifold Valve Kit No. 127-9803	27
Actuator On/Off Kit No. 131-3723	28
Bypass Valve Assembly No. 127-9805	29
Hose Assembly	30
Boom Lift Assembly	32
Hydraulic Cylinder Assembly No. 117-0701	33
On-Off Boom Lift Valve No. 117-0702	34
Electrical Assembly	35
Center Boom Assembly	36
LH Single Turret Body Assembly No. 108-3725	38
Double Turret Body Assembly No. 108-3727	39
RH Single Body Turret Assembly No. 108-3726	40
Boom Mounting Assembly	41
Left and Right Hand Boom Assembly	42
Attachments and Accessories	43



Frame, Stand and Boom Mount Assembly

Ref.	Part Number	Qty.	Description	Ref.	Part Number	Qty.	Description
1	127-3984	1	Skid ASM	24	125-0841-03	2	Stand-Front
1:2	127-3936	2	Decal-Danger	25	283-83	4	Pin-Clevis
2	131-5791-03	1	Tube	26	283-55	2	Pin-Clevis
3	131-5796-03	1	Mount-Tank, Eye Wash	27	49-2040	4	Screw-HWHTF
5	132-7745	1	Fresh Water Tank ASM	29	3231-2	4	Bolt-CARR
5:2	120-0616	3	Decal-Water, Fresh	31	3234-14	2	Screw-HHF
8	125-0798	2	Cover-Access	32	104-8300	10	Nut-HF, NI
9	125-8108-03	1	Jack Stand-Rear, RH	33	125-8094	16	Pad-Tank
10	125-8138-03	1	Guard-Relay	34	127-3985	1	Skid Cover ASM
11	100-9880	2	Bolt-Shoulder	34:2	127-3937	1	Decal-Warning, Engine Cover
12	104-8301	4	Nut-HF, NI	35	106-6777	2	Handle-Latch, Swell
13	93-9719	4	Block-Wear	36	106-6778	2	Bushing-Latch, Swell
14	321-4	4	Screw-HH	37	1-804254	2	Nut-Lock, HH
15	3296-42	4	Nut-Lock, NI	38	92-1233	2	Pin-Clevis
16	100-5569	2	Pin-Clevis	39	92-1298	4	Pin-Lynch
17	3290-343	8	Pin-Hair	45	322-5	1	Screw-HH
18	125-0809	2	Bracket-Mount, Front	46	3218-2	1	Nut-Hex Jam
19	100-6116	2	Screw-HHF	47	3256-23	2	Washer-Plain
20	99-5107	2	Nut-Lock	48	322-11	2	Screw-HH
22	92-2667-03	2	Bracket-Mount	49	95-9648	2	Knob
23	125-0840-03	1	Jack Stand-Rear				

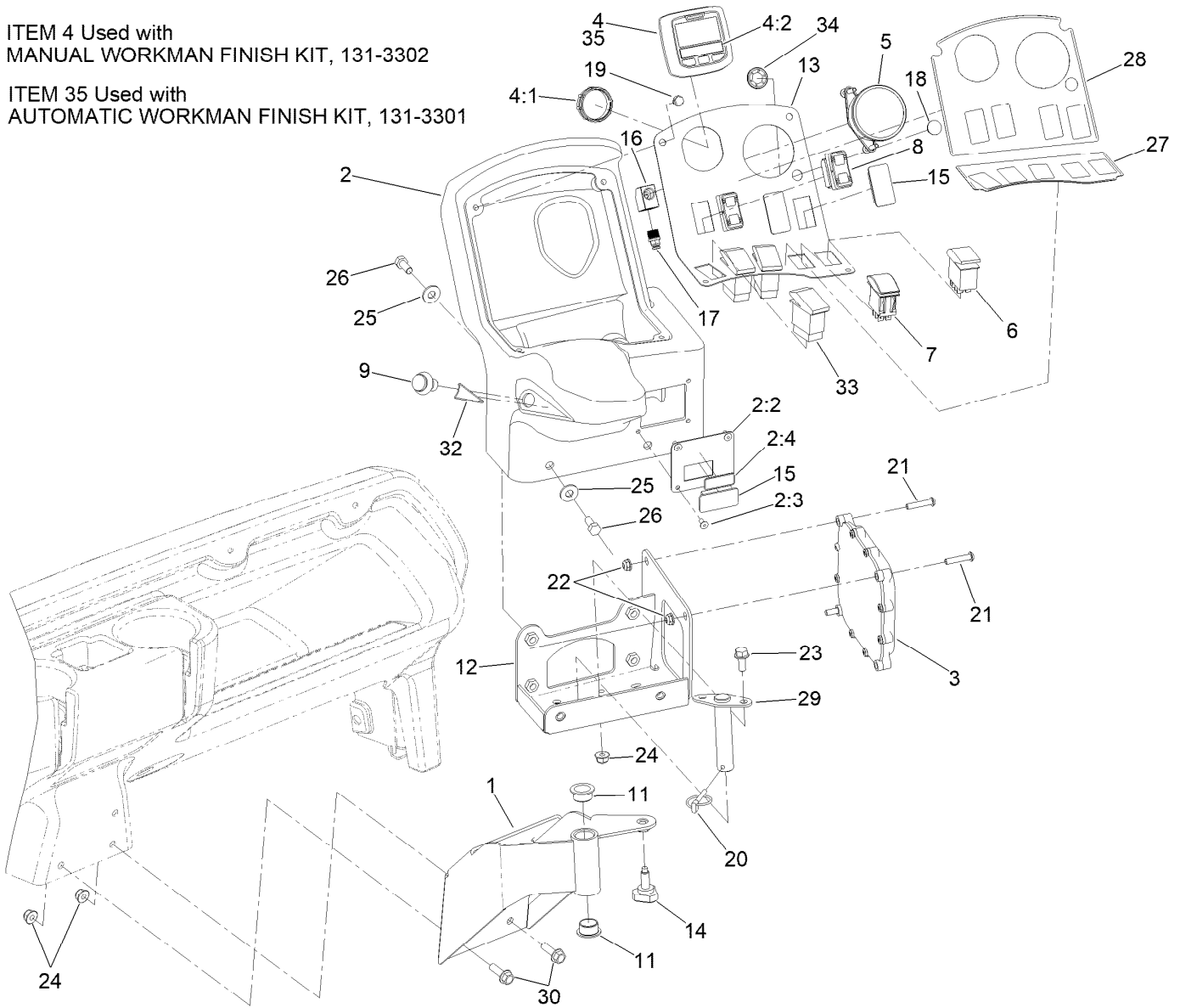


Frame, Stand and Boom Mount Assembly (continued)

<i>Ref.</i>	<i>Part Number</i>	<i>Qty.</i>	<i>Description</i>	<i>Ref.</i>	<i>Part Number</i>	<i>Qty.</i>	<i>Description</i>
50	3234-7	4	Screw-HHF	53	132-7706	1	Elbow-90 DEG
51	132-7628-03	2	Band-Tank, Eye Wash	55	100-7011	1	Spigot-90 DEG
52	106-5052	1	Cap-Water, Fresh				

ITEM 4 Used with
MANUAL WORKMAN FINISH KIT, 131-3302

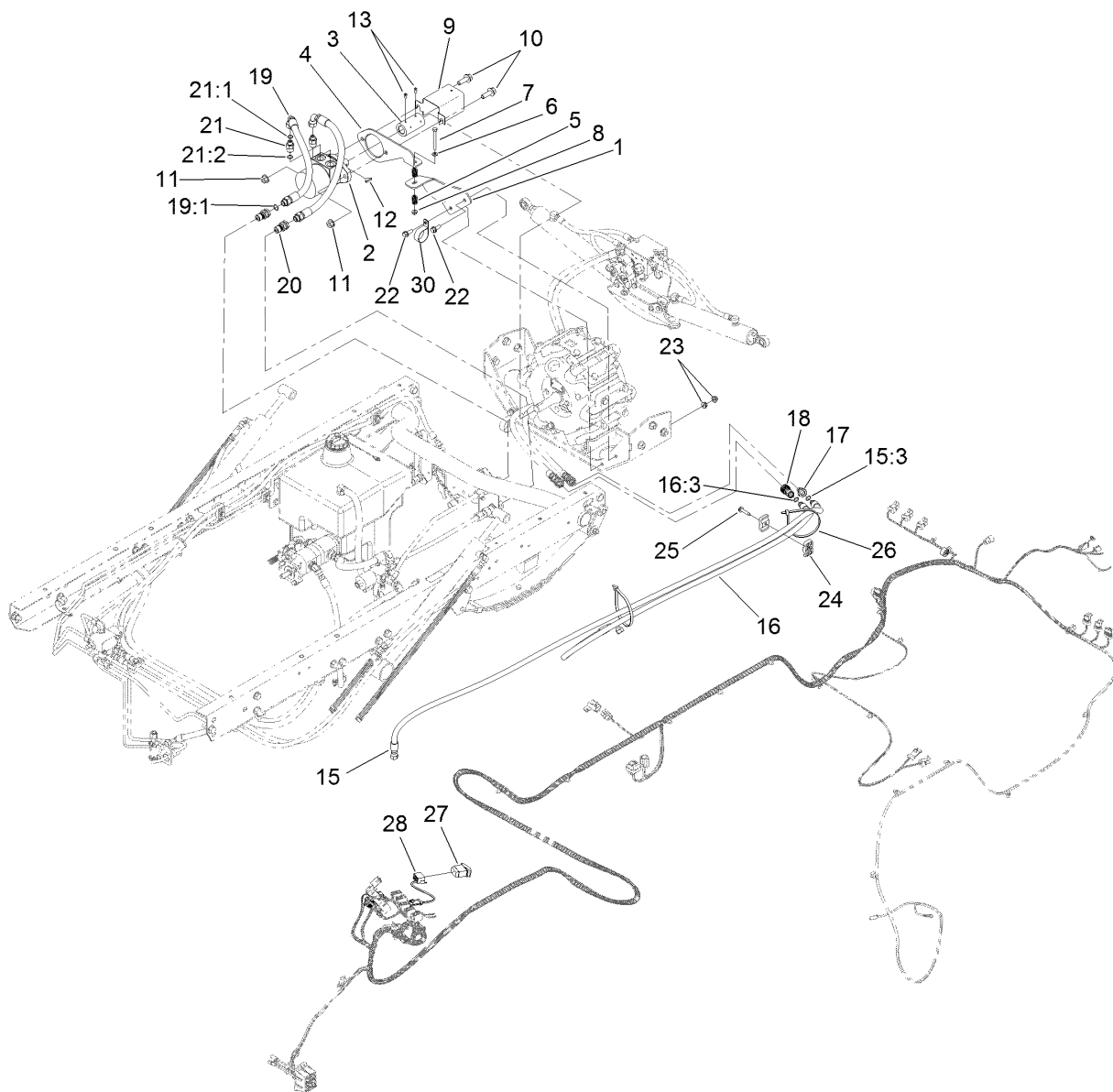
ITEM 35 Used with
AUTOMATIC WORKMAN FINISH KIT, 131-3301



Control Console Assembly

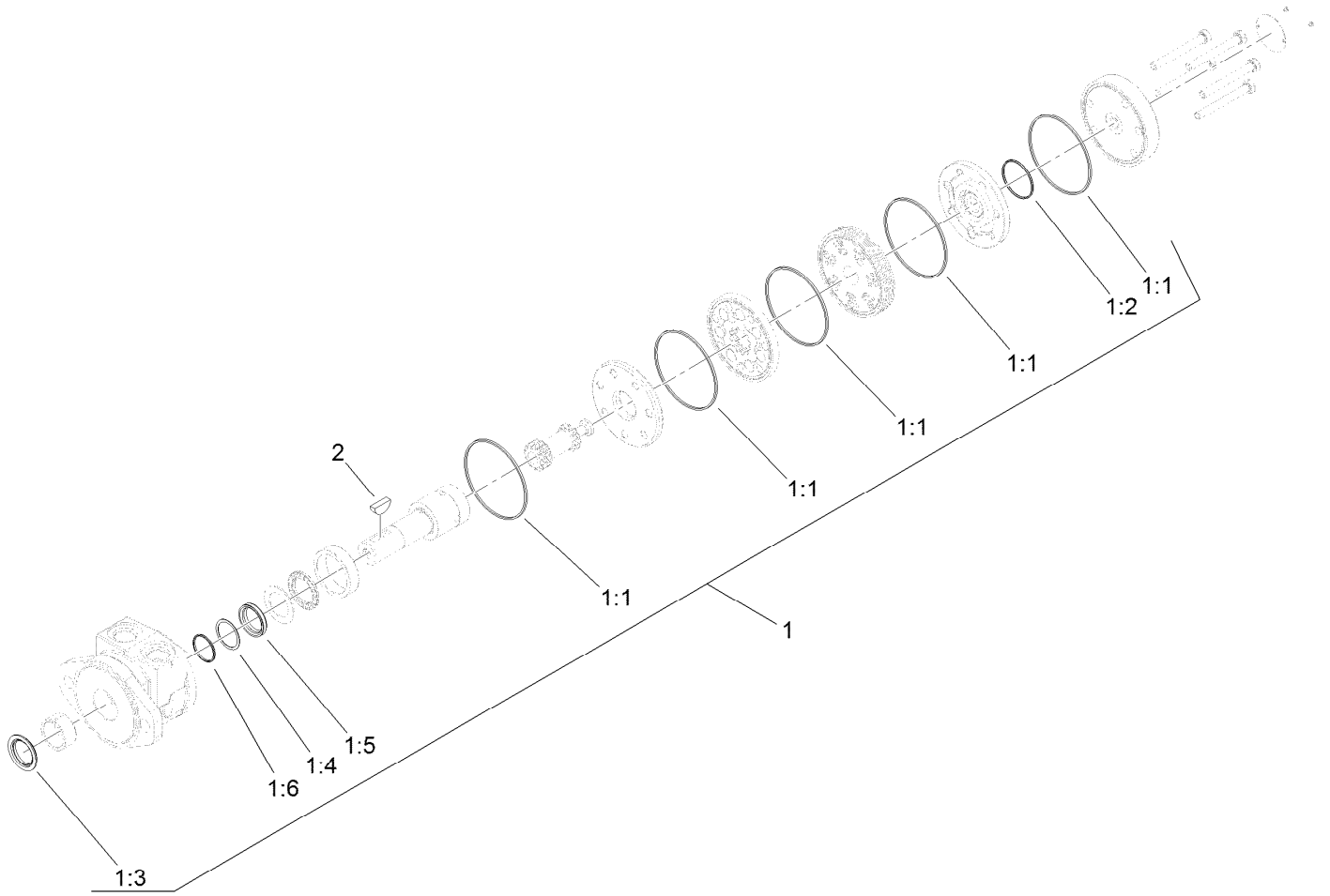
Ref.	Part Number	Qty.	Description
1	131-5795-03	1	Bracket-Console
2	131-9618	1	Control-Console
2:2	131-9607-03	1	Plate-Switch
2:3	3290-409	4	Rivet
2:4	131-5808	1	Decal-Switch
3	115-1900	1	Controller
4	120-6310	1	LCD Display ASM Kantrak 1700
4:1	120-4630	1	Nut-Display
4:2	120-6311	1	Decal-Display
5	120-8546	1	Gauge-Pressure
6	100-8490	1	Switch-Rocker, On-None-On
7	100-1535	1	Switch-Rocker, (On)-Off-(On)
8	125-0899	2	Switch-Rocker
9	125-7996	1	Switch-Pb, Momentary
11	109-8054	2	Bushing-Flange
12	125-4021-03	1	Bracket-Pivot, Console
13	125-4020-03	1	Panel-Control
14	95-9648	1	Knob

Ref.	Part Number	Qty.	Description
15	99-7420	3	Plug-Hole
16	131-9605	1	Fitting-Elbow-90
17	100-8674	1	Coupler-Tube
18	119-5329	1	Plug-Hole
19	93-6083	4	Screw-HWH
20	3290-495	1	Pin-Klik
21	120-0834	3	Screw-HSBH
22	104-7201	3	Nut-HF, NI
23	3234-5	2	Screw-HHF
24	104-8300	5	Nut-HF, NI
25	3256-71	6	Washer-Flat
26	322-43	6	Screw-HH
27	130-8294	1	Decal-Console
28	125-4052	1	Decal-Console, Upper
29	125-4054	1	Pin
30	3234-17	3	Screw-HHF
32	125-8139	1	Decal-Master Boom Switch
33	95-8999	3	Switch-Rocker, On-None-On
34	1-323142	1	Nut-Push
35	163-2995	1	Display-LCD, Svc Only



Turf Sprayer Finishing Kit No. 131-3301

<i>Ref.</i>	<i>Part Number</i>	<i>Qty.</i>	<i>Description</i>	<i>Ref.</i>	<i>Part Number</i>	<i>Qty.</i>	<i>Description</i>
1	127-9796-03	1	Mount-Arm, Torque	17	106-7969	1	Coupler-Quick, Male
2	131-5810	1	Motor-Hydraulic	18	106-7968	1	Coupler-Quick, Female
3	117-8045	1	Coupler	19	130-7184	2	HYD Hose ASM
4	127-9794-03	1	Bracket-Motor	19:1	237-79	1	O-Ring
5	110-5331	2	Spring-Compression	20	105-4170	2	Coupler-Male
6	3256-23	1	Washer-Plain	21	340-6	2	Fitting-Straight
7	322-14	1	Screw-HH	21:1	237-30	1	O-Ring
8	104-8300	1	Nut-HF, NI	21:2	237-80	1	O-Ring
9	120-0628-03	1	Guard-Shaft, Pump	22	3234-42	2	Screw-HHF
10	100-6116	2	Screw-HHF	23	104-8301	2	Nut-HF, NI
11	108-3745	2	Nut-HHF, Whiz	24	56-7976	2	Clamp-Tube
12	106-1990	1	Key-Woodruff	25	32144-57	1	Screw
13	3241-7	4	Screw-SQH	26	3334-945	2	Tie-Cable
15	112-0273	1	HYD Hose ASM	27	95-8999	1	Switch-Rocker, On-None-On
15:3	237-42	1	O-Ring	28	122-0372	1	Harness-Wire
16	130-7181	1	Upper Lift Hose Valve ASM	30	2412-147	1	Clamp-R
16:3	237-42	1	O-Ring				

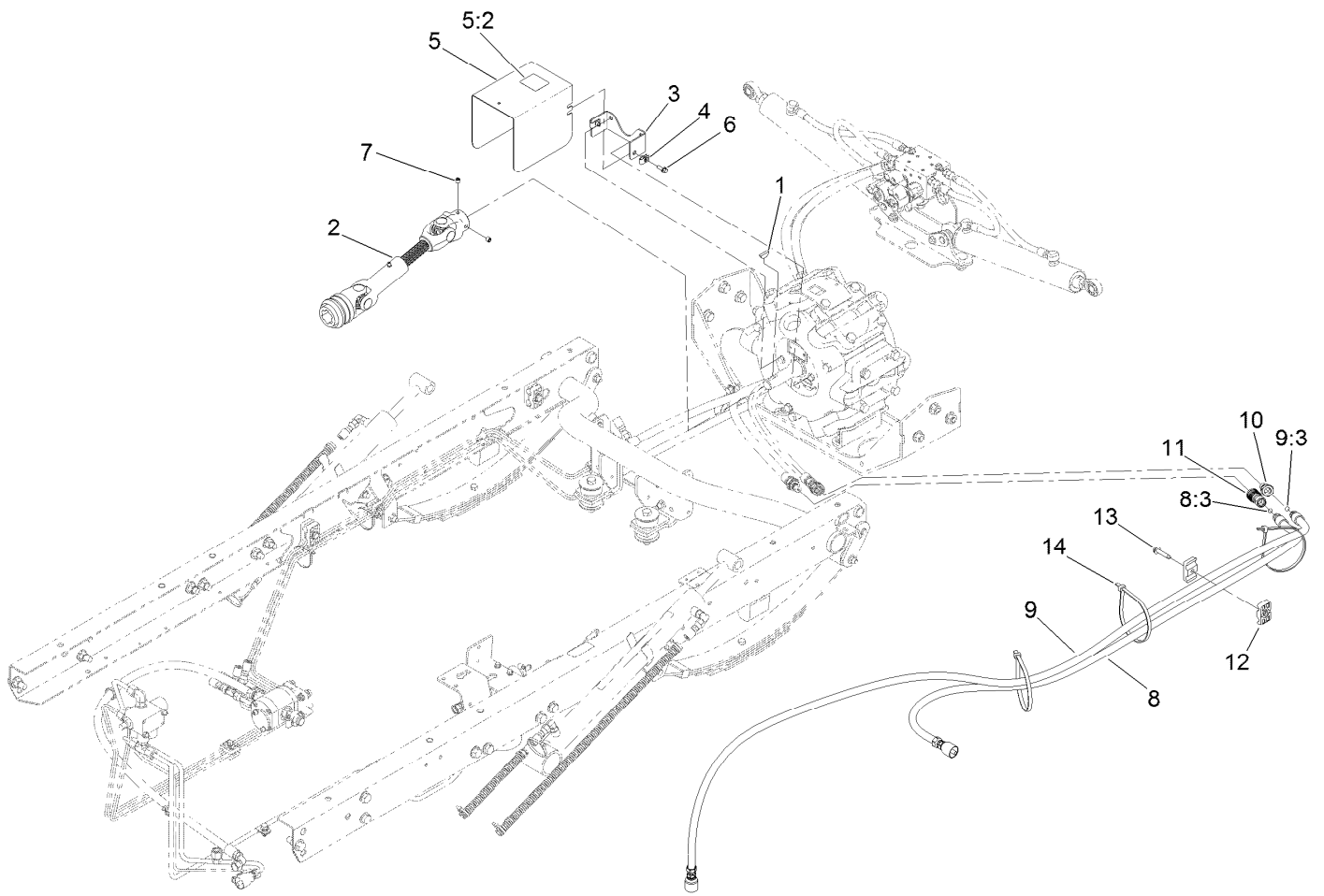


Hydraulic Motor Assembly No. 131-5810

Ref.	Part Number	Qty.	Description
1	106-1989	1	Seal Kit
1:1		6	Seal-Ring ■
1:2		1	Seal-Commutator ■
1:3		1	Seal-Dirt And Water ■
1:4		1	Washer-Backup ■
1:5		1	Seal-Shaft ■
1:6		1	Ring-Back Up ●■
2	106-1990	1	Key-Woodruff

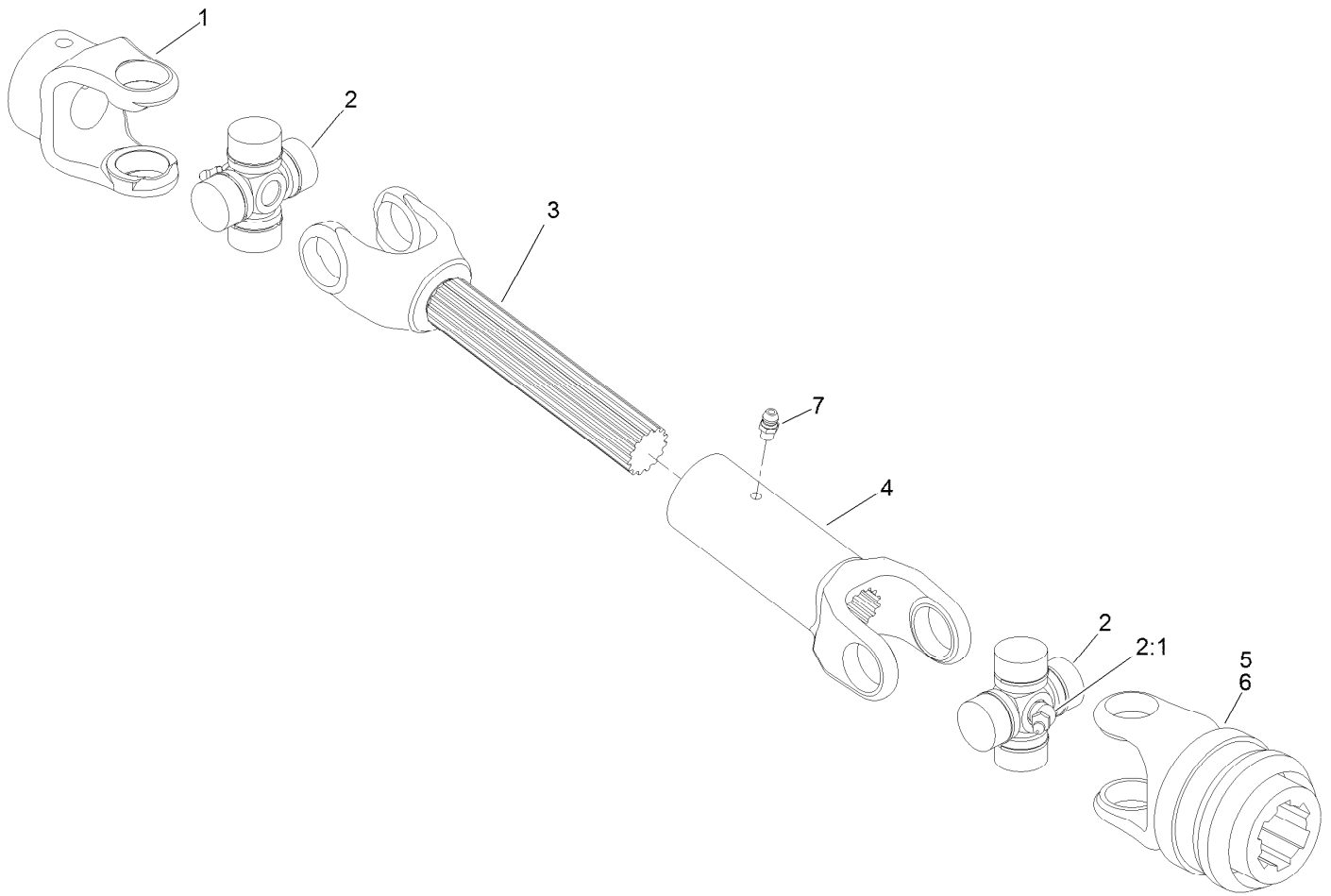
● Not illustrated

■ Not serviced separately



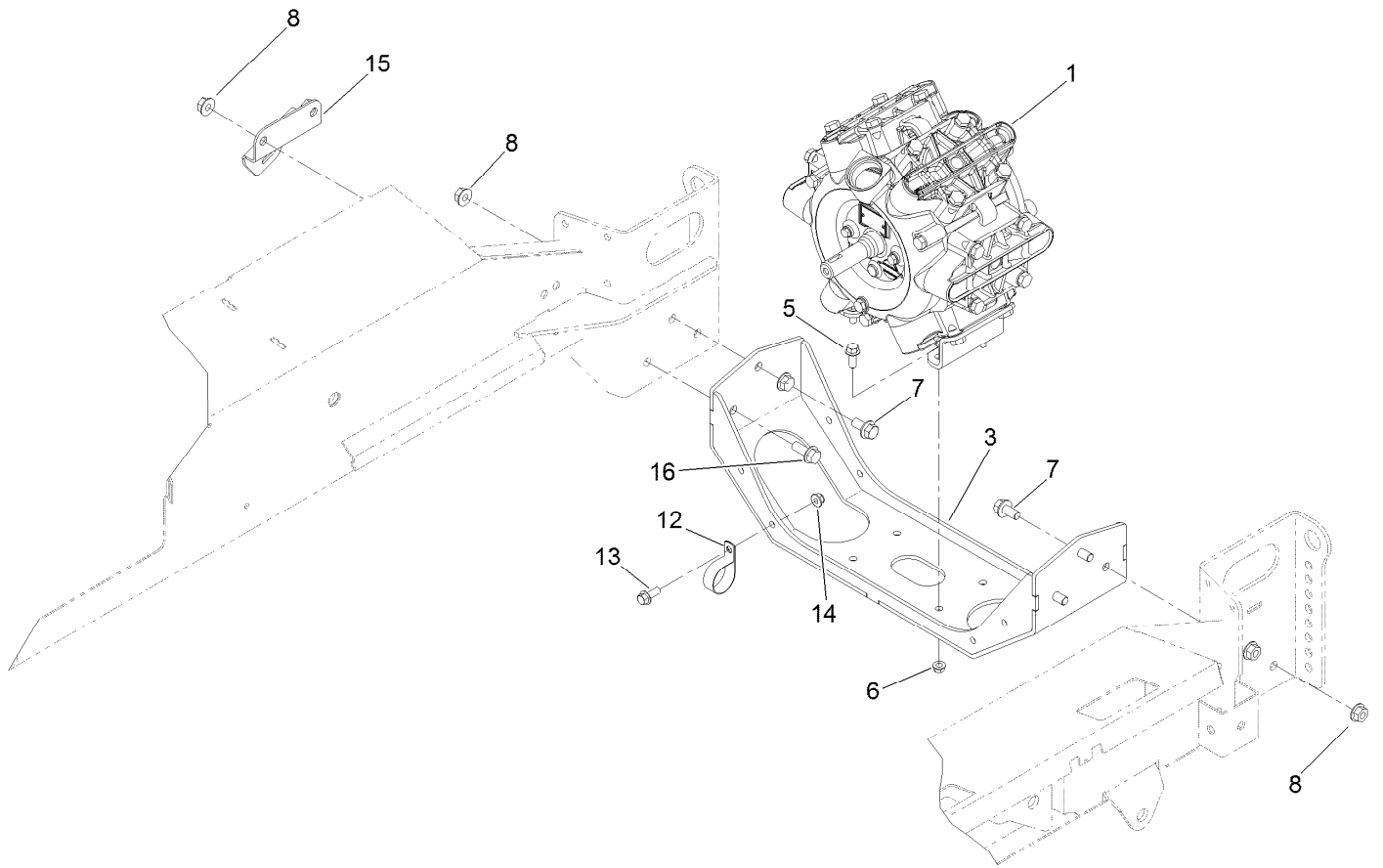
Multi Pro WM Turf Sprayer Finishing Kit No. 131-3302

<i>Ref.</i>	<i>Part Number</i>	<i>Qty.</i>	<i>Description</i>	<i>Ref.</i>	<i>Part Number</i>	<i>Qty.</i>	<i>Description</i>
1	106-1990	1	Key-Woodruff	8:3	237-42	1	O-Ring
2	125-0680	1	Driveshaft-PTO	9	112-0273	1	HYD Hose ASM
3	125-8054-03	1	Bracket-Shield, Driveshaft	9:3	237-42	1	O-Ring
4	107069	2	Clip	10	106-7969	1	Coupler-Quick, Male
5	127-3986	1	Shield-Driveshaft	11	106-7968	1	Coupler-Quick, Female
5:2	127-3981	1	Decal-Warning	12	56-7976	2	Clamp-Tube
6	3234-4	2	Screw-HHF	13	32144-57	1	Screw
7	3247-2	2	Screw-Set, HSH	14	3334-945	3	Tie-Cable
8	112-0274	1	Hose-HYD				



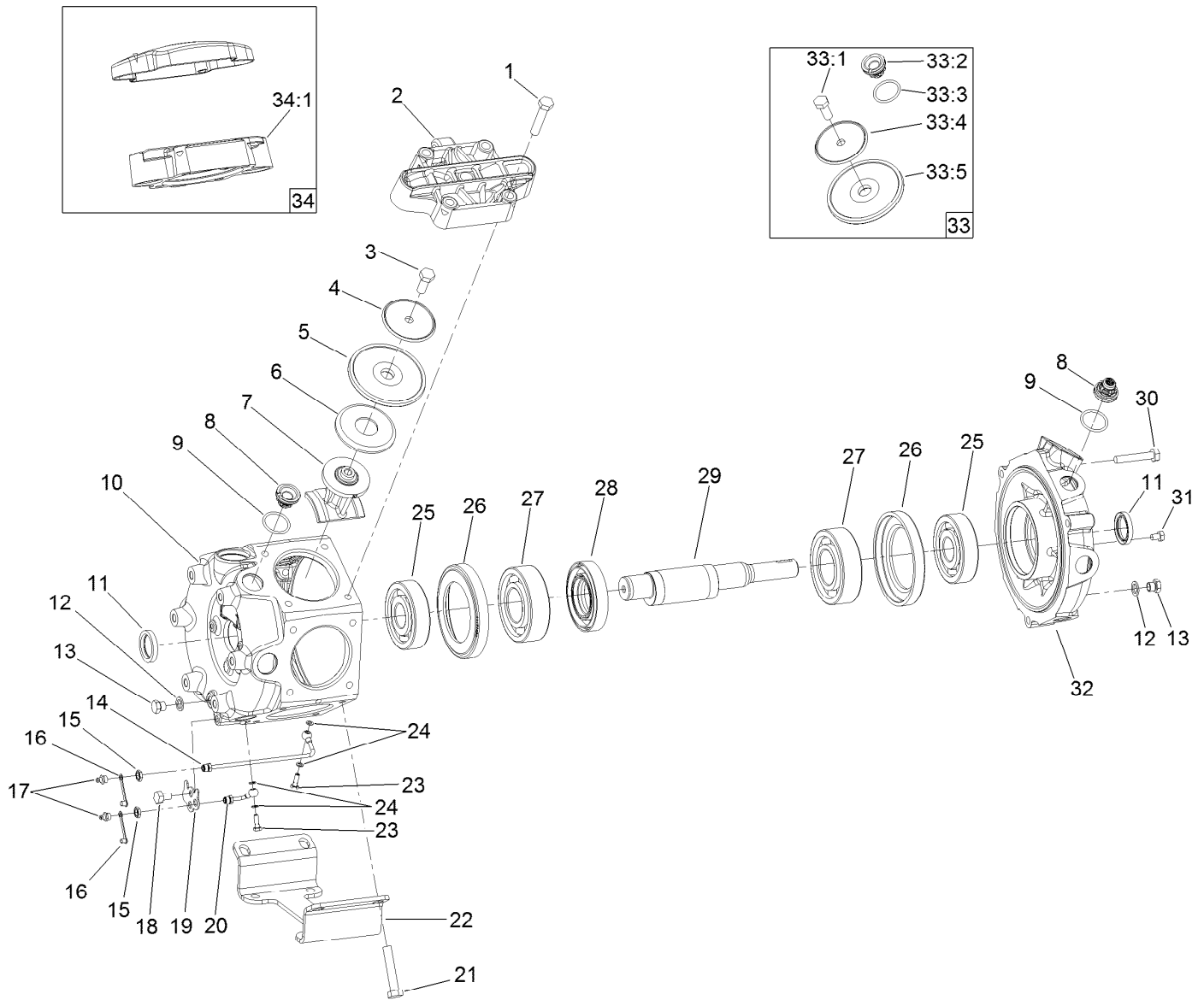
Driveshaft Assembly No. 125-0680

<i>Ref.</i>	<i>Part Number</i>	<i>Qty.</i>	<i>Description</i>
1	125-0679	1	Yoke-Shaft
2	54-9180	2	U-Joint Kit
2:1	62-3820	1	Fitting-Grease
3	125-8109	1	Shaft-Slip Yoke
4	94-7379	1	Tube-Yoke, Slip
5	99-4476	1	Spring Lock Yoke ASM
6	99-4477	1	Yoke Spring Lock Repair Kit
7	302-5	1	Fitting-Grease



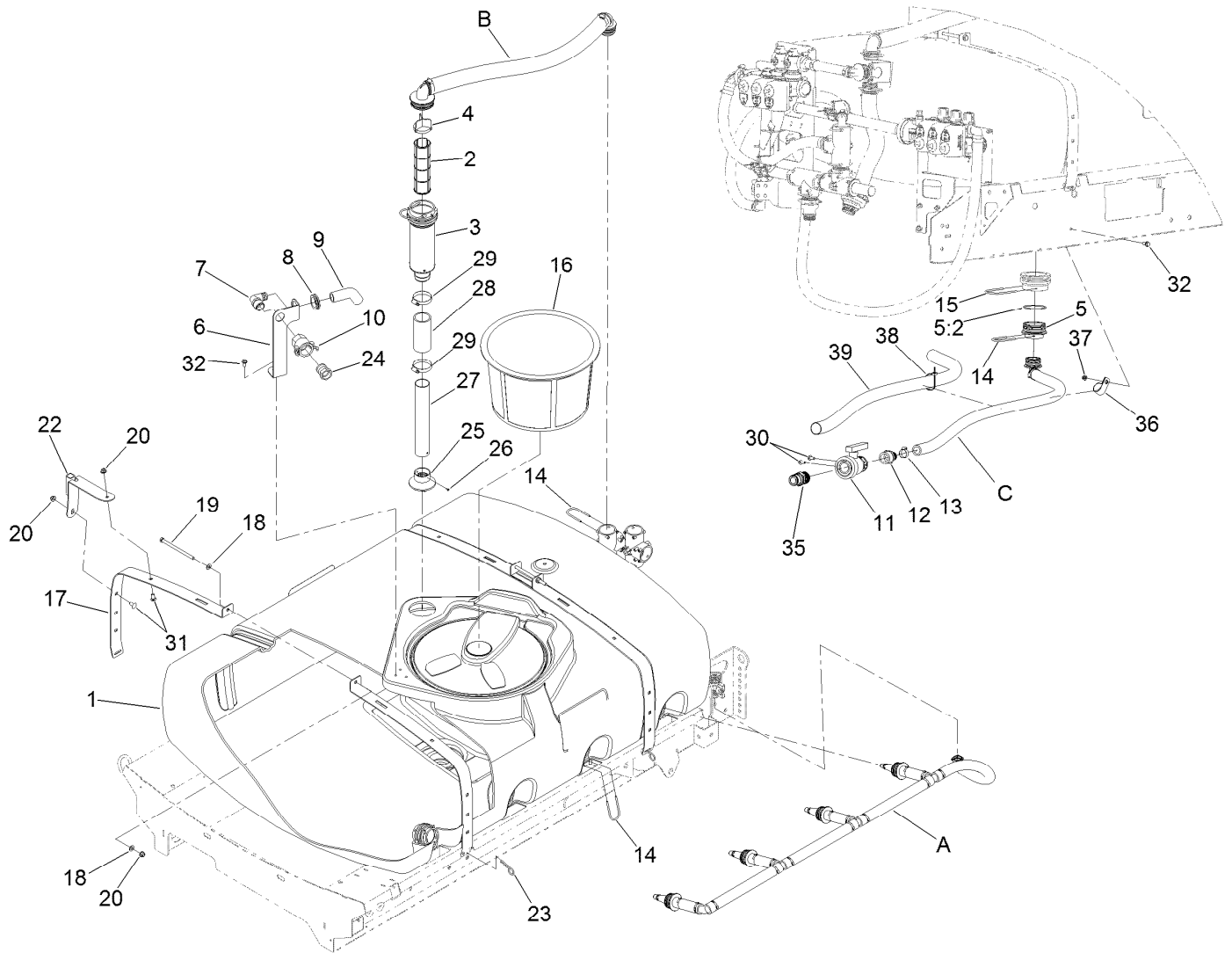
Pump Mount Assembly

<i>Ref.</i>	<i>Part Number</i>	<i>Qty.</i>	<i>Description</i>
1	132-7768	1	Pump
3	125-8053-03	1	Mount-Pump
5	3234-11	4	Screw-HHF
6	3290-357	4	Nut-HSF
7	3234-6	4	Screw-HHF
8	32128-49	6	Nut-HHF
12	2412-147	1	Clamp-R
13	3234-42	1	Screw-HHF
14	104-8301	1	Nut-HF, NI
15	133-2867-03	1	Bracket-Mount Valve Drain
16	3234-38	2	Screw-HHF



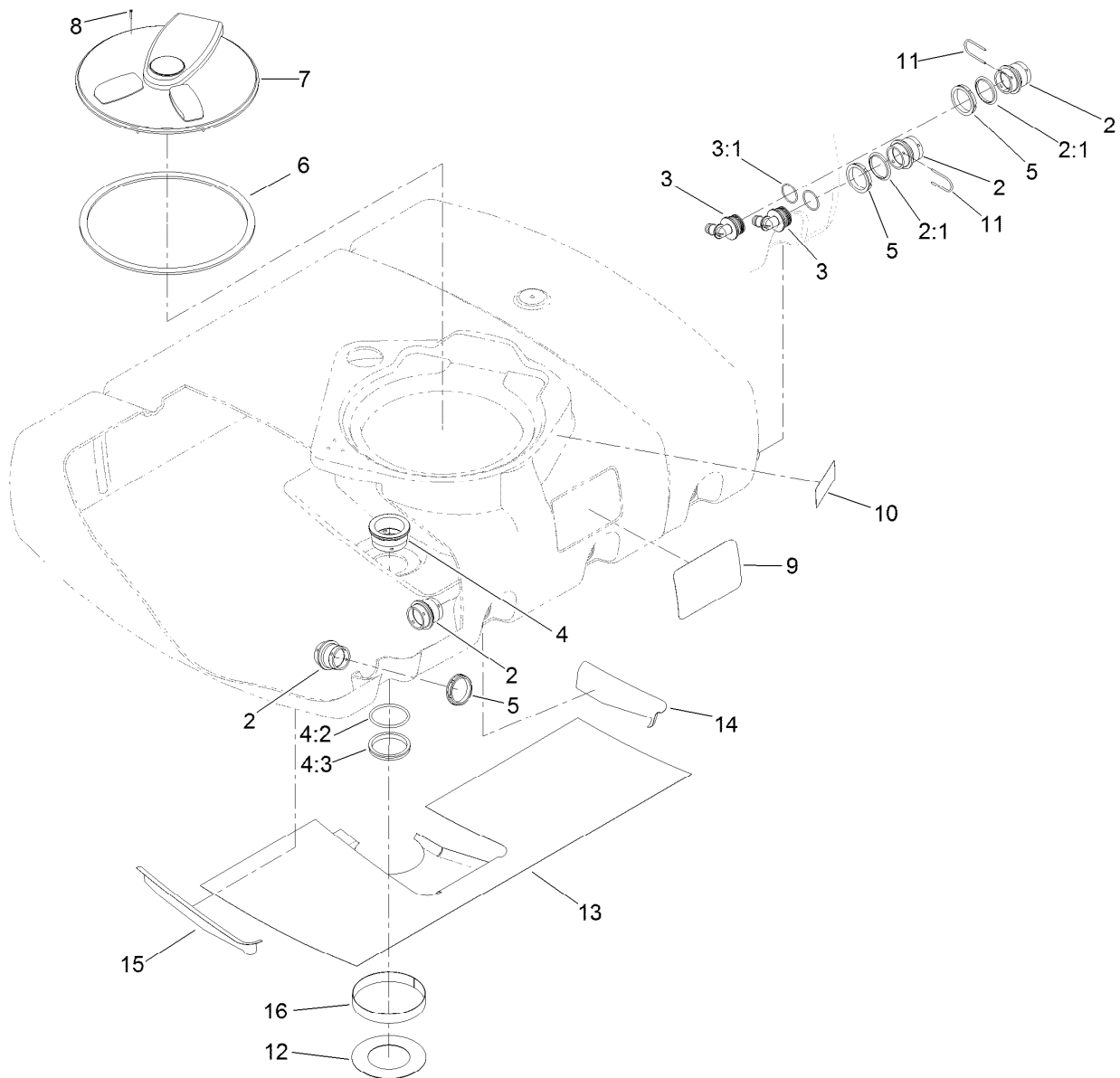
Pump Assembly No. 132-7768

Ref.	Part Number	Qty.	Description	Ref.	Part Number	Qty.	Description
1	120-0773	20	Bolt-Hex	21	120-0774	4	Bolt-Hex
2	133-2824	6	Cover-Pump, Hardened	22	120-0787	1	Foot-Pump
3	120-0777	6	Bolt-Hex	23	133-2830	2	Bolt-Banjo
4	120-0778	6	Disc-Diaphragm	24	136-2251	4	Gasket
5	120-0779	6	Diaphragm	25	120-0788	2	Bearing-Ball
6	120-0780	6	Disc-Backing, Diaphragm	26	133-2820	2	Spacer-Metal
7	120-0781	6	Rod-Connecting	27	120-0791	2	Bearing-Ball
8	99-0861	12	Valve-Pump	28	133-2827	1	Distance Ring
9	100-6651	12	O-Ring	29	133-2825	1	Shaft-Crank
10	133-2821	1	Housing-Pump, Main	30	120-0794	3	Bolt-Hex
11	120-0783	2	Seal-Oil	31	120-0784	4	Bolt-Hex
12	120-0786	2	Seal	32	133-2822	1	Housing-Pump, Front
13	120-0785	2	Plug	33	133-2885	1	Pump Repair Kit
14	133-2877	1	Tube-Banjo, Long	33:1	120-0777	6	Bolt-Hex
15	133-2878	2	Nut	33:2	99-0861	12	Valve-Pump
16	133-2880	2	Cap-Grease Nipple, Yellow	33:3	100-6651	12	O-Ring
17	133-2879	2	Nipple-Grease	33:4	120-0778	6	Disc-Diaphragm
18	136-2252	1	Bolt-Hex	33:5	120-0779	6	Diaphragm
19	133-2875	1	Plate-Nipple, Grease	34	133-2898	1	Pump Head Kit
20	133-2876	1	Tube-Banjo, Short	34:1	133-2824	6	Cover-Pump, Hardened



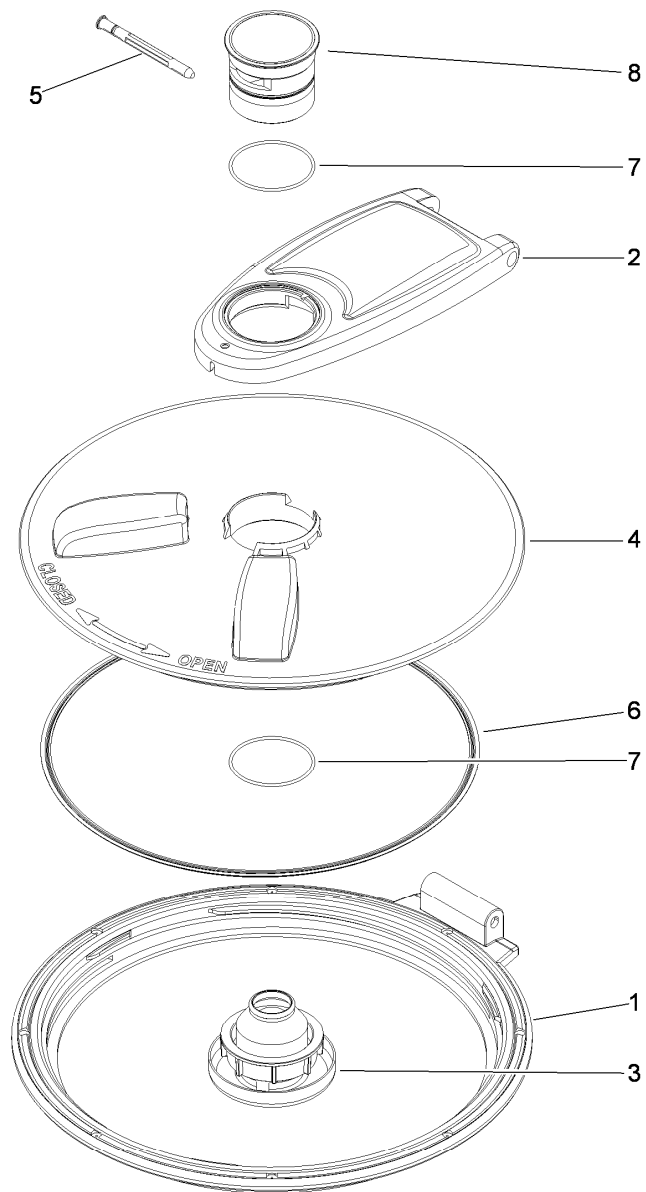
Spray Tank Assembly

Ref.	Part Number	Qty.	Description	Ref.	Part Number	Qty.	Description
1	121-6518	1	200 Gallon Tank ASM	19	323-58	2	Bolt-TAP, HH
2	100-8642	1	Screen-Suction	20	104-8301	4	Nut-HF, NI
3	130-7096	1	Filter ASM	22	127-3920-03	1	Bracket-Storage
4	100-8641	1	Vane-Screen	23	3290-343	4	Pin-Hair
5	117-7928	1	Adapter ASM	24	41316	1	Adapter-Quick
5:2	100-6989	1	O-Ring	25	100-6714	1	Foot-Tube, Suction
6	110-5082-03	1	Bracket-Anti Siphon	26	108-3270	1	Screw-TAP
7	41140	1	Elbow	27	125-8128	1	Tube-Suction
8	110-5090	1	Grommet	28	100-8649	1	Hose-Suction
9	110-5088	1	Hose-Fill	29	2412-130	2	Clamp-Hose
10	100-6779	1	Coupling-Female	30	3234-7	2	Screw-HHF
11	108-0069	1	Valve-Ball	31	3231-21	2	Screw-CARR
12	110-5224	1	Fitting-Barbed, Straight	32	3234-5	2	Screw-HHF
13	2412-34	1	Clamp-Hose	35	132-7787	1	Coupler-Quick
14	100-8635	6	Fork	36	2412-82	1	Clamp-R
15	117-7996	1	Fork	37	104-8300	1	Nut-HF, NI
16	119-9419	1	Basket-Filter	38	3290-378	1	Tie-Cable
17	125-4081-03	4	Band-Tank	39	136-2272	1	Tubing-Convolutd, Slit
18	3256-24	4	Washer-Plain				



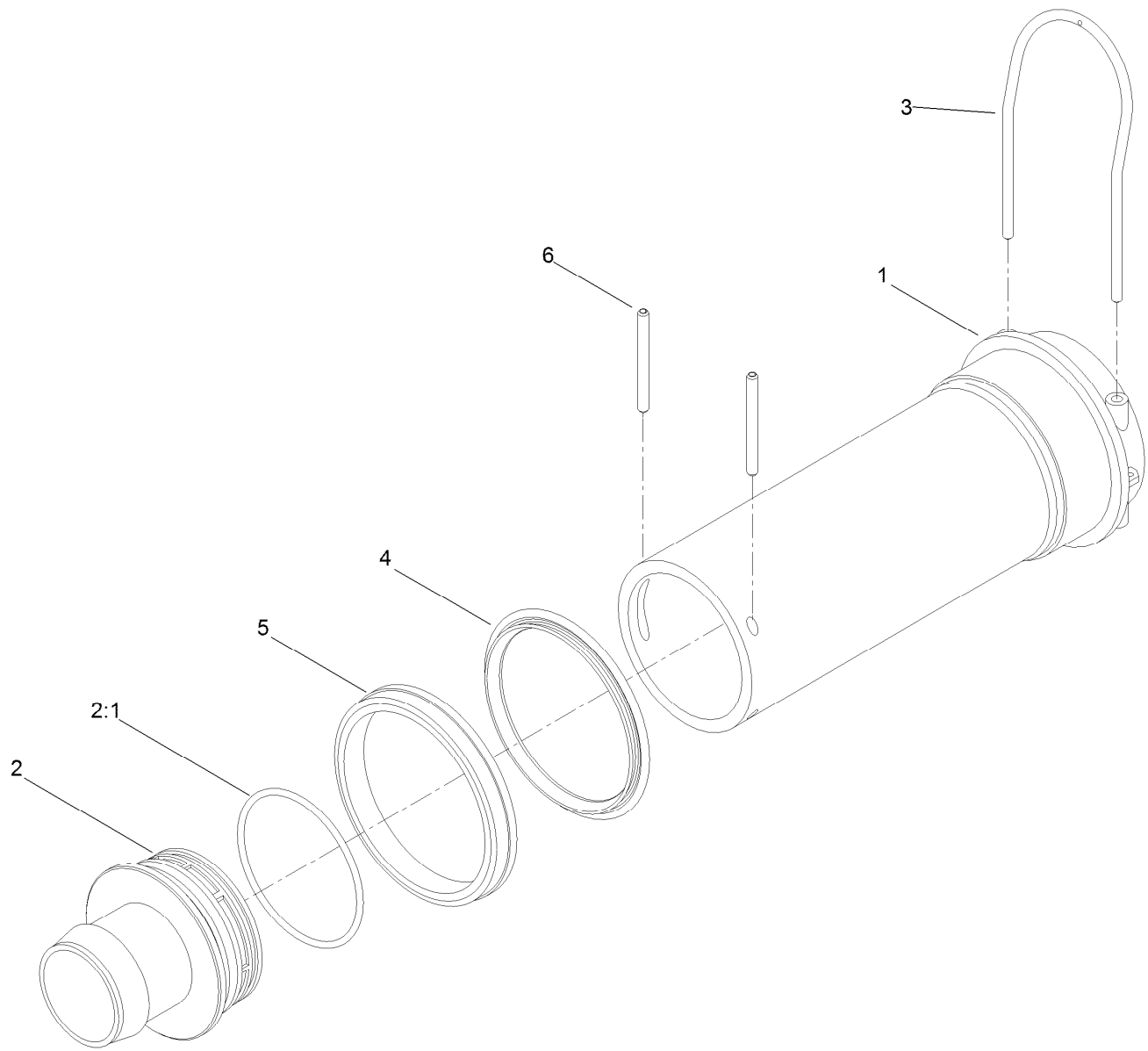
Tank Assembly No. 121-6518

<i>Ref.</i>	<i>Part Number</i>	<i>Qty.</i>	<i>Description</i>	<i>Ref.</i>	<i>Part Number</i>	<i>Qty.</i>	<i>Description</i>
2	108-3358	6	Fitting-Bulkhead	8	107-8635	8	Screw-PFH
2:1	107-2864	1	Gasket-Bulkhead	9	125-8064	2	Decal-Tank
3	106-4933	2	Hosebarb ASM	10	120-0622	1	Decal-Warning
3:1	100-8637	1	O-Ring	11	100-8635	2	Fork
4	117-7851	1	Bulkhead ASM	12	127-3967	1	Shield-Sump, Bottom
4:2	100-8646	1	Gasket-Bulkhead	13	127-3960	1	Shield-Sump, Center
4:3	100-8647	1	Nut-Bulkhead	14	127-3962	1	Shield-Sump, Rear
5	100-7051	6	Nut-Bulkhead	15	127-3961	1	Shield-Sump, Front
6	119-9378	1	Gasket-Lid, Tank	16	127-3988	1	Shield-Sump, Side
7	119-9380	1	Spray Tank Lid ASM				



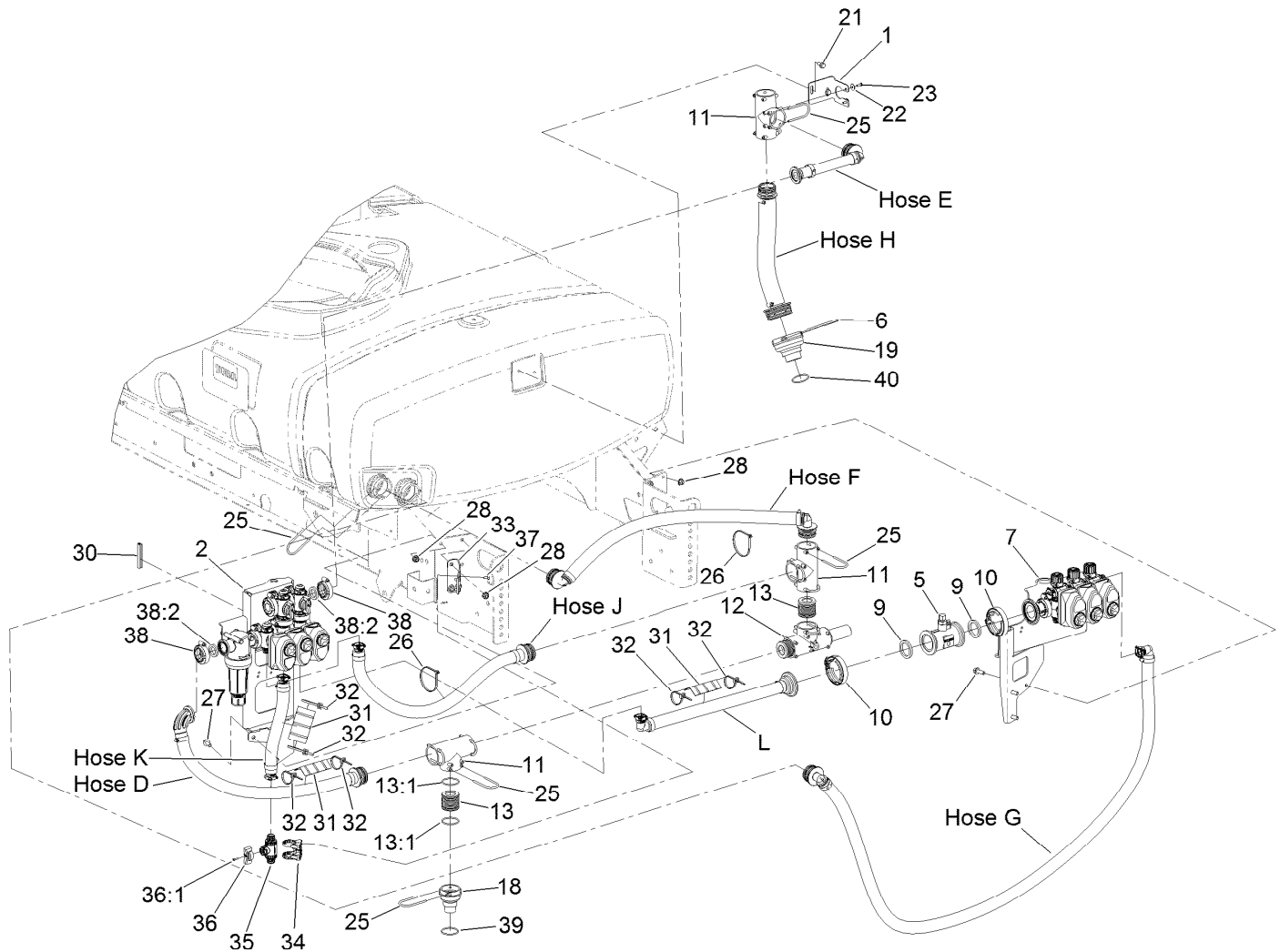
Spray Tank Lid Assembly No. 119-9380

<i>Ref.</i>	<i>Part Number</i>	<i>Qty.</i>	<i>Description</i>
1	119-9381	1	Ring-Lid
2	119-9382	1	Arm-Lid
3	119-9383	1	Vent-Lid
4	119-9384	1	Cover-Lid
5	119-9385	1	Pin-Pivot
6	106-5004	1	Seal-Lid
7	119-9386	2	O-Ring
8	119-9387	1	Cap-Lid



Filter Assembly No. 130-7096

<i>Ref.</i>	<i>Part Number</i>	<i>Qty.</i>	<i>Description</i>
1	100-8643	1	Housing-Filter
2	106-4942	1	Hosebarb-Straight
2:1	100-6989	1	O-Ring
3	100-8636	1	Fork-Special
4	100-8646	1	Gasket-Bulkhead
5	100-8647	1	Nut-Bulkhead
6	100-8644	2	Pin-Expansion

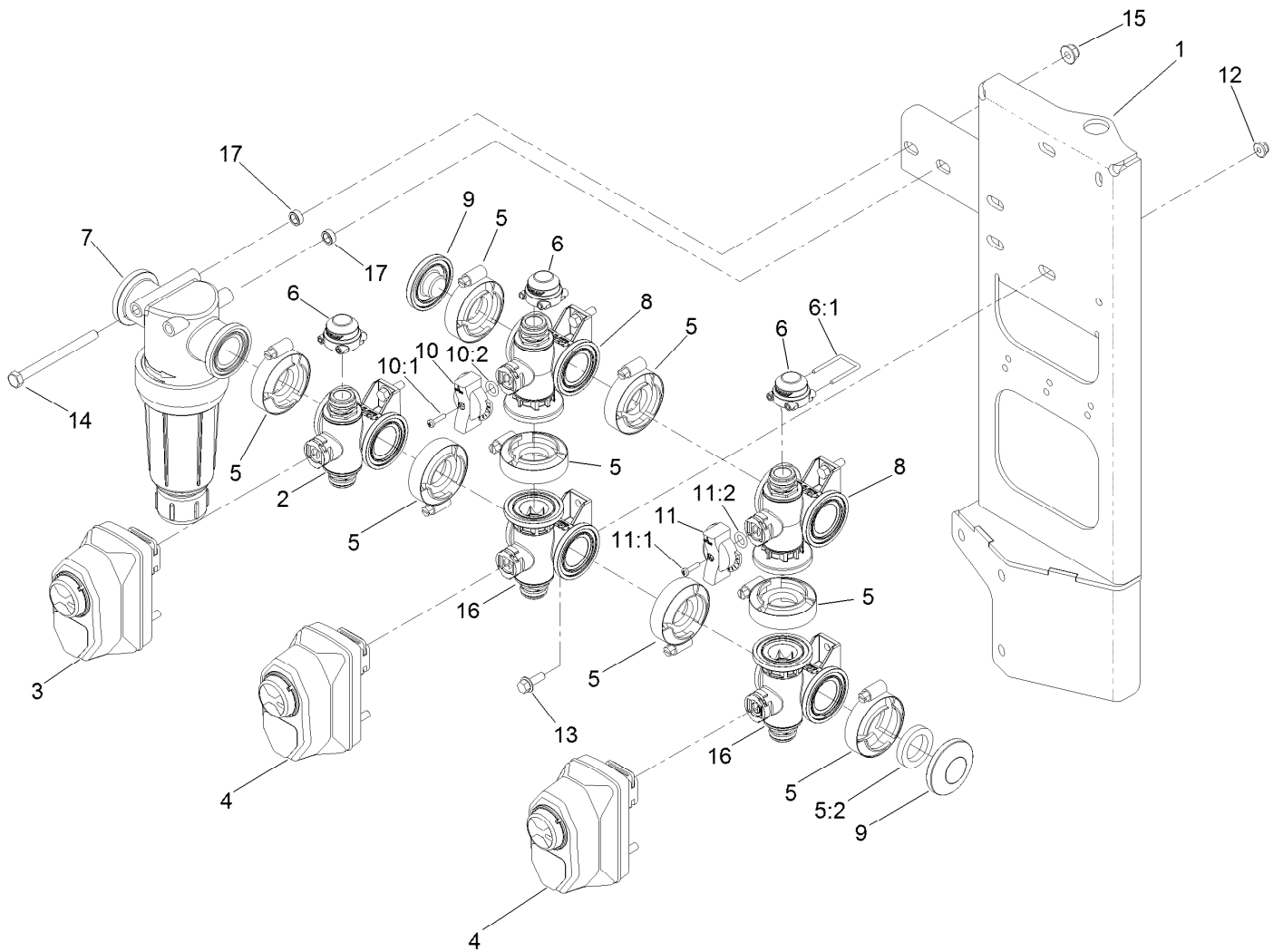


Reference **Hose Assembly** page for hose assemblies and service parts

Spray Valve Assembly

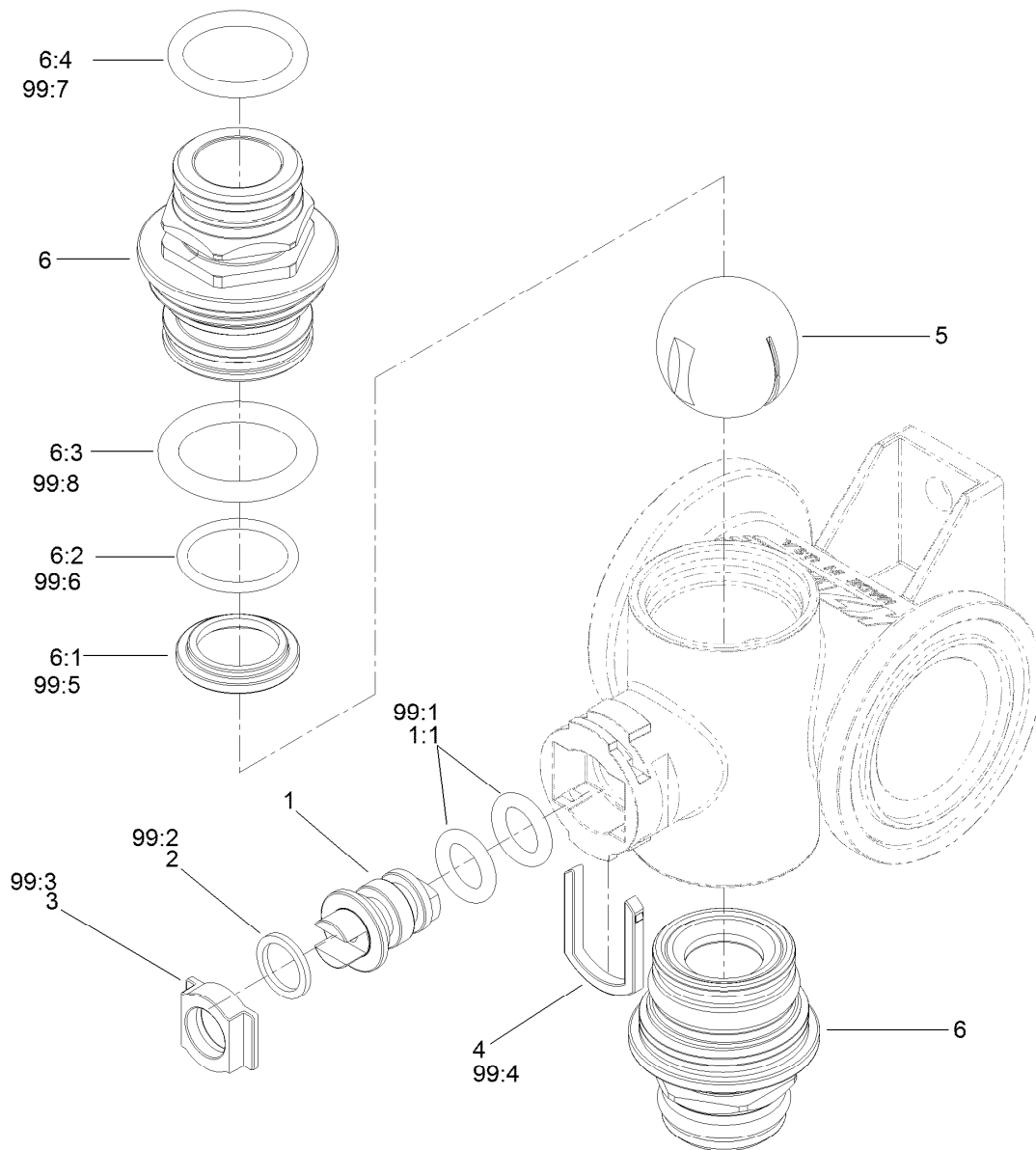
Ref.	Part Number	Qty.	Description	Ref.	Part Number	Qty.	Description
1	131-3704	1	Bracket-Fitting, Tee	26	3290-379	2	Tie-Cable
2		1	Agitation Manifold ASM ●	27	3234-42	6	Screw-HHF
5	106-1038	1	Flow Meter ASM	28	104-8301	6	Nut-HF, NI
6	117-7996	1	Fork	30	131-9636	1	Trim-Manifold, Agitation
7		1	Section Valve Manifold ASM	31	AU112950	3	Protector-Hose
			●	32	3290-378	6	Tie-Cable
9	104-9090	2	Gasket	33	132-4325-03	1	Mount-Bracket, Agitation
10	104-9089	2	Clamp-Screw, Worm	34	132-4302	1	Mount-Valve
11	100-6704	3	Tee	35	131-0249	1	On/Off 2-Way Valve Kit
12	117-7874	1	Relief Valve ASM	36	131-0264	1	Agitation Throttling Handle Kit
13	106-4947	2	Connector				
13:1	100-8637	2	O-Ring	36:1	131-0263	1	Screw-Handle
18	133-2881	1	Fitting	37	33113-012	4	Screw-HH
19	133-2883	1	Fitting	38	127-9829	2	Clamp/Gasket Kit
21	3234-47	2	Screw-HHF	38:2	127-1145	1	Gasket-Flange
22	3256-61	2	Washer-Flat	39	133-2882	1	O-Ring
23	32144-32	2	Screw-PPH	40	133-2884	1	O-Ring
25	100-8635	12	Fork				

● Not serviced separately



Agitation Valve Assembly

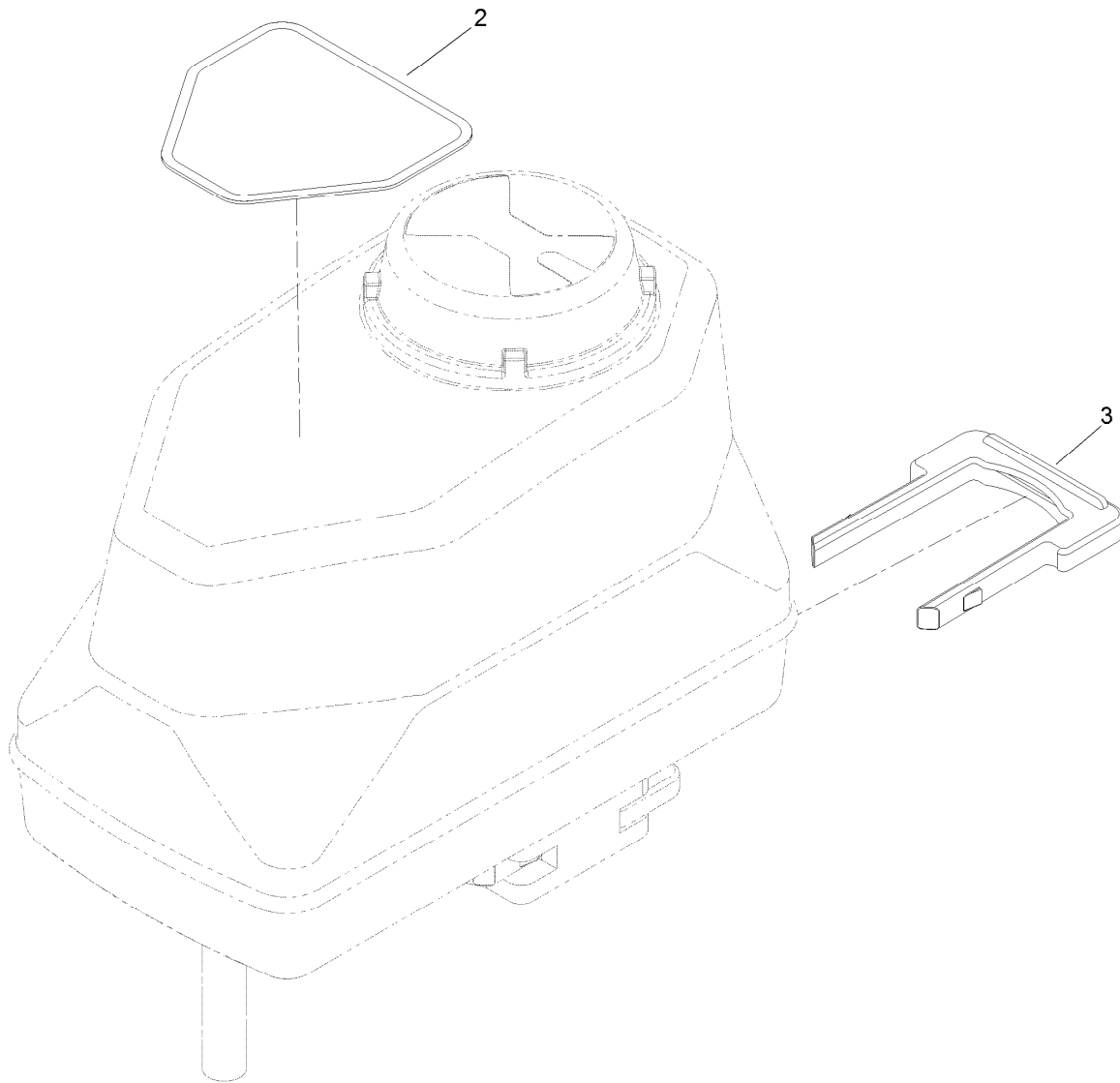
<i>Ref.</i>	<i>Part Number</i>	<i>Qty.</i>	<i>Description</i>	<i>Ref.</i>	<i>Part Number</i>	<i>Qty.</i>	<i>Description</i>
1	131-3722	1	Mount-Valve	10:1	131-0263	1	Screw-Handle
2	127-9804	1	Regulating Valve Body ASM	10:2	127-1197	1	O-Ring-Stem
3	131-3724	1	Actuator Regulating Kit	11	131-0266	1	Master Regulating Handle Kit
4	131-3723	2	Actuator On/Off Kit	11:1	131-0263	1	Screw-Handle
5	127-9829	8	Clamp/Gasket Kit	11:2	127-1197	1	O-Ring-Stem
5:2	127-1145	1	Gasket-Flange	12	104-7201	6	Nut-HF, NI
6	127-9811	3	Fitting-Cap, Female	13	3234-4	6	Screw-HHF
6:1	133-0398	1	Pin-Fork	14	322-23	2	Screw-HH
7	131-3791	1	Filter-Pressure	15	104-8300	2	Nut-HF, NI
8	131-0253	2	Manifold Valve Kit	16	131-7256	2	Manifold Valve Kit
9	127-9815	2	Fitting-Cap	17	133-0380	2	Spacer-Filter
10	131-0265	1	Agitation Regulating Handle Kit				



Regulating Valve Body Assembly No. 127-9804

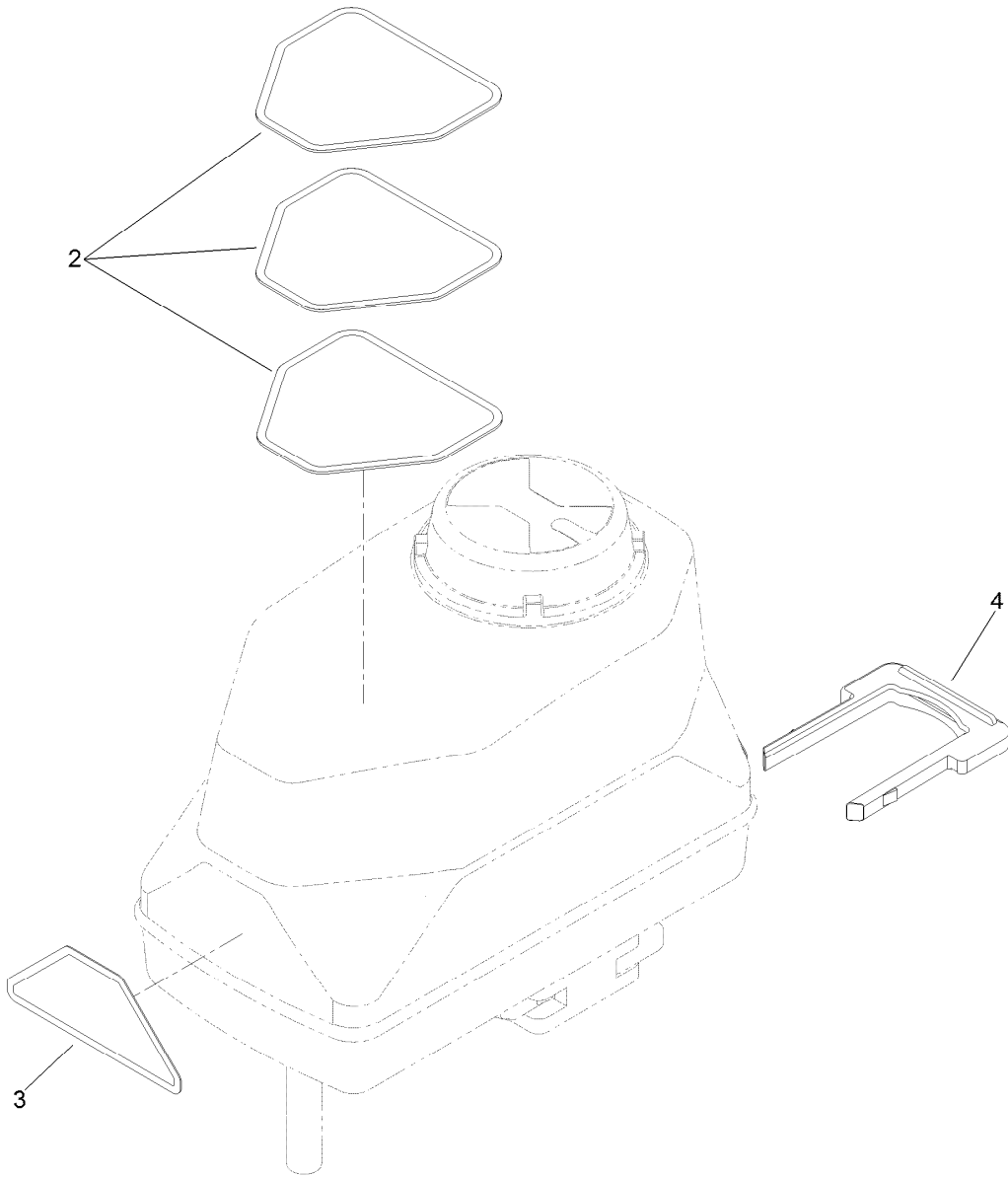
<i>Ref.</i>	<i>Part Number</i>	<i>Qty.</i>	<i>Description</i>	<i>Ref.</i>	<i>Part Number</i>	<i>Qty.</i>	<i>Description</i>
1	130-8248	1	Valve Stem Kit	6:4	127-1187	1	O-Ring, Endcap
1:1	127-1197	2	O-Ring-Stem	99	130-7304	1	Valve Repair Kit ●
2	127-1196	1	Washer-Stem, Valve	99:1	127-1197	2	O-Ring-Stem
3	127-1195	1	Seat-Stem, Valve	99:2	127-1196	2	Washer-Stem, Valve
4	127-1190	1	Fork-Stem, Valve	99:3	127-1195	1	Seat-Stem, Valve
5	127-1113	1	Ball-V	99:4	127-1190	1	Fork-Stem, Valve
6	130-7317	2	Endcap Kit	99:5	127-1192	2	Seat-Ball
6:1	127-1192	1	Seat-Ball	99:6	127-1188	2	O-Ring, Seat (Ball)
6:2	127-1188	1	O-Ring, Seat (Ball)	99:7	127-1187	2	O-Ring, Endcap
6:3	127-1189	1	O-Ring, Endcap	99:8	127-1189	2	O-Ring, Endcap

● Not illustrated



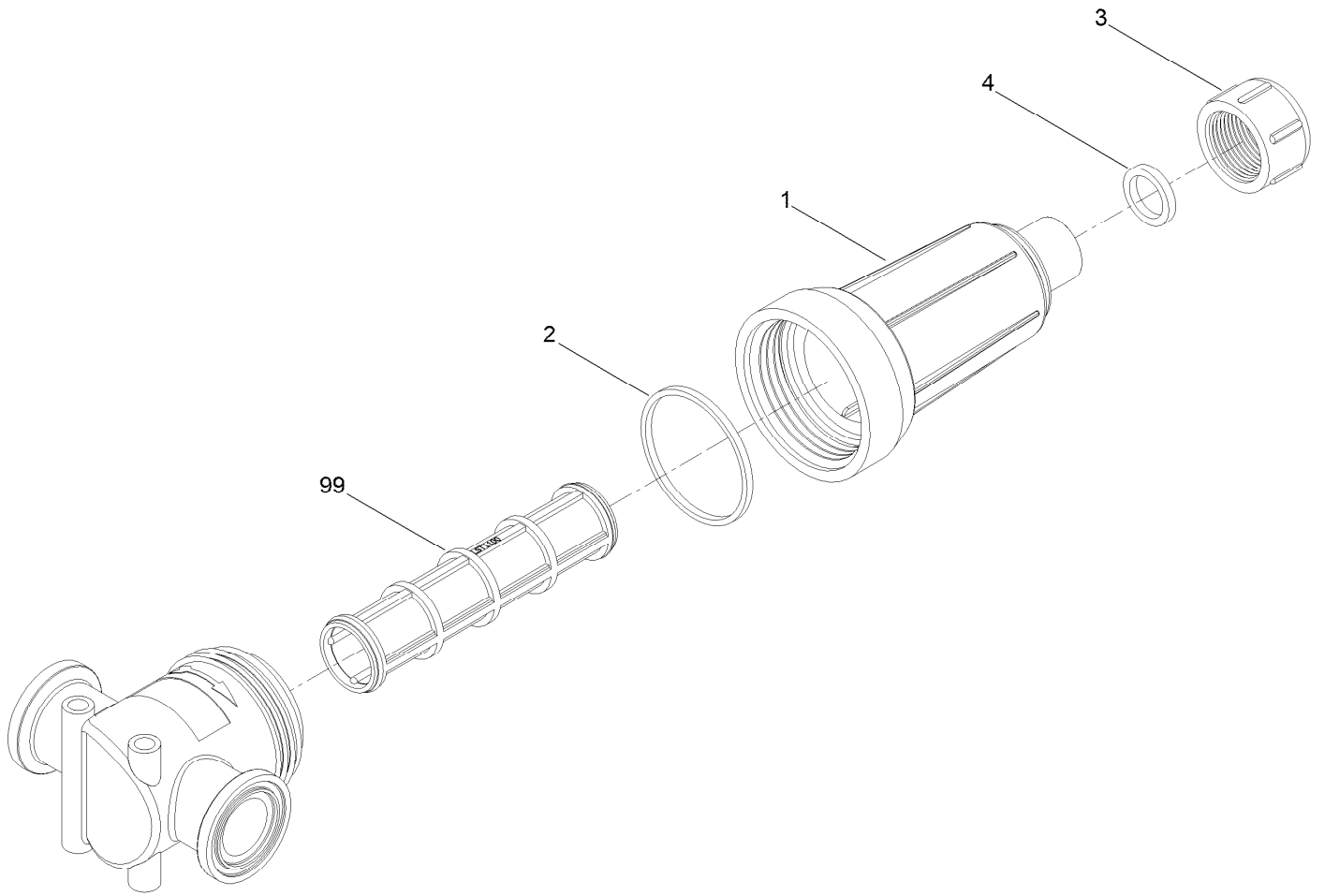
Actuator Regulating Valve No. 131-3724

<i>Ref.</i>	<i>Part Number</i>	<i>Qty.</i>	<i>Description</i>
2	127-6984	1	Decal-Valve, Regulating
3	130-7301	1	Hairpin-Actuator



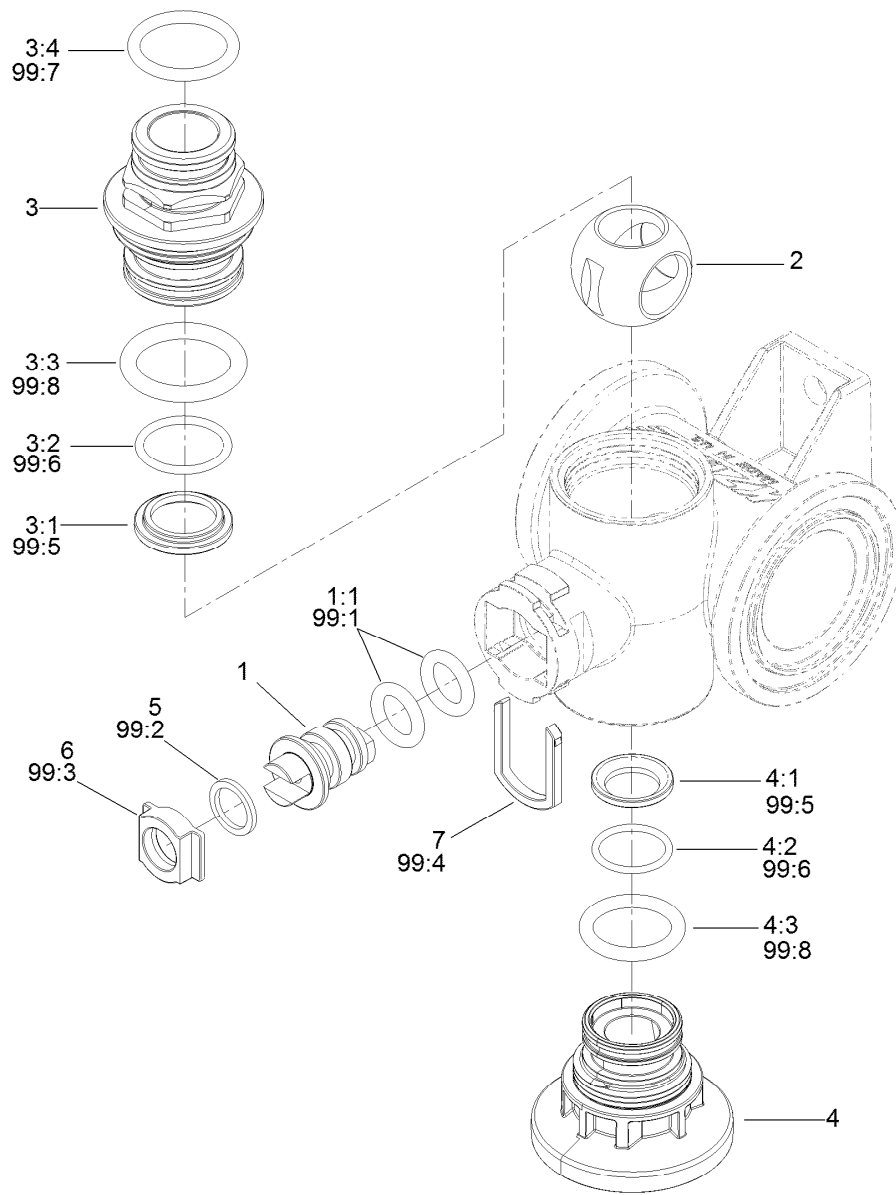
On/Off Actuator Kit No. 131-3723

<i>Ref.</i>	<i>Part Number</i>	<i>Qty.</i>	<i>Description</i>
2	127-6979	1	Decal-Valve, Agitation
2	127-6981	1	Decal-Valve, On/Off
2	127-6982	1	Decal-Valve, Master Boom
3	127-6976	1	Decal-Valve, Bypass Adjust
4	130-7301	1	Hairpin-Actuator



Pressure Filter Assembly No. 131-3791

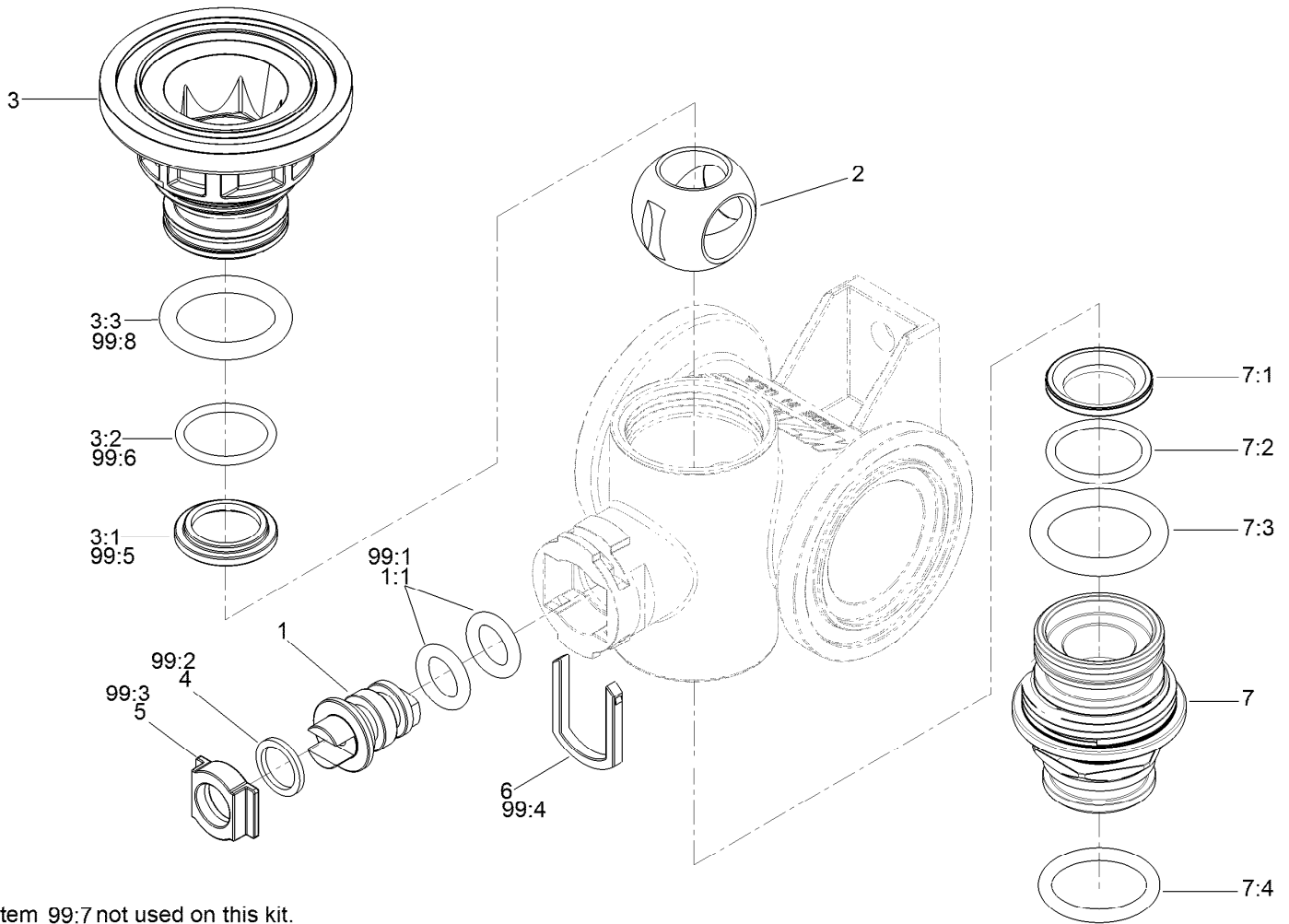
<i>Ref.</i>	<i>Part Number</i>	<i>Qty.</i>	<i>Description</i>
1	136-0397	1	Bowl-Strainer
2	136-0398	1	Rubber-Gasket
3	136-0410	1	Strainer Cap
4	136-0399	1	Rubber-Gasket
99	133-0384	1	Screen-Teejet, 30 Mesh
99	133-0385	1	Screen-Teejet, 50 Mesh
99	133-0386	1	Screen-Teejet, 80 Mesh
99	133-0387	1	Screen-Teejet, 100 Mesh



Manifold Valve Kit No. 131-0253

<i>Ref.</i>	<i>Part Number</i>	<i>Qty.</i>	<i>Description</i>	<i>Ref.</i>	<i>Part Number</i>	<i>Qty.</i>	<i>Description</i>
1	130-8248	1	Valve Stem Kit	5	127-1196	1	Washer-Stem, Valve
1:1	127-1197	2	O-Ring-Stem	6	127-1195	1	Seat-Stem, Valve
2	127-1113	1	Ball-V	7	127-1190	1	Fork-Stem, Valve
3	130-7317	1	Endcap Kit	99	130-7304	1	Valve Repair Kit ●
3:1	127-1192	1	Seat-Ball	99:1	127-1197	2	O-Ring-Stem
3:2	127-1188	1	O-Ring, Seat (Ball)	99:2	127-1196	2	Washer-Stem, Valve
3:3	127-1189	1	O-Ring, Endcap	99:3	127-1195	1	Seat-Stem, Valve
3:4	127-1187	1	O-Ring, Endcap	99:4	127-1190	1	Fork-Stem, Valve
4	130-8249	1	Endcap Kit	99:5	127-1192	2	Seat-Ball
4:1	127-1192	1	Seat-Ball	99:6	127-1188	2	O-Ring, Seat (Ball)
4:2	127-1188	1	O-Ring, Seat (Ball)	99:7	127-1187	2	O-Ring, Endcap
4:3	127-1189	1	O-Ring, Endcap	99:8	127-1189	2	O-Ring, Endcap

● Not illustrated

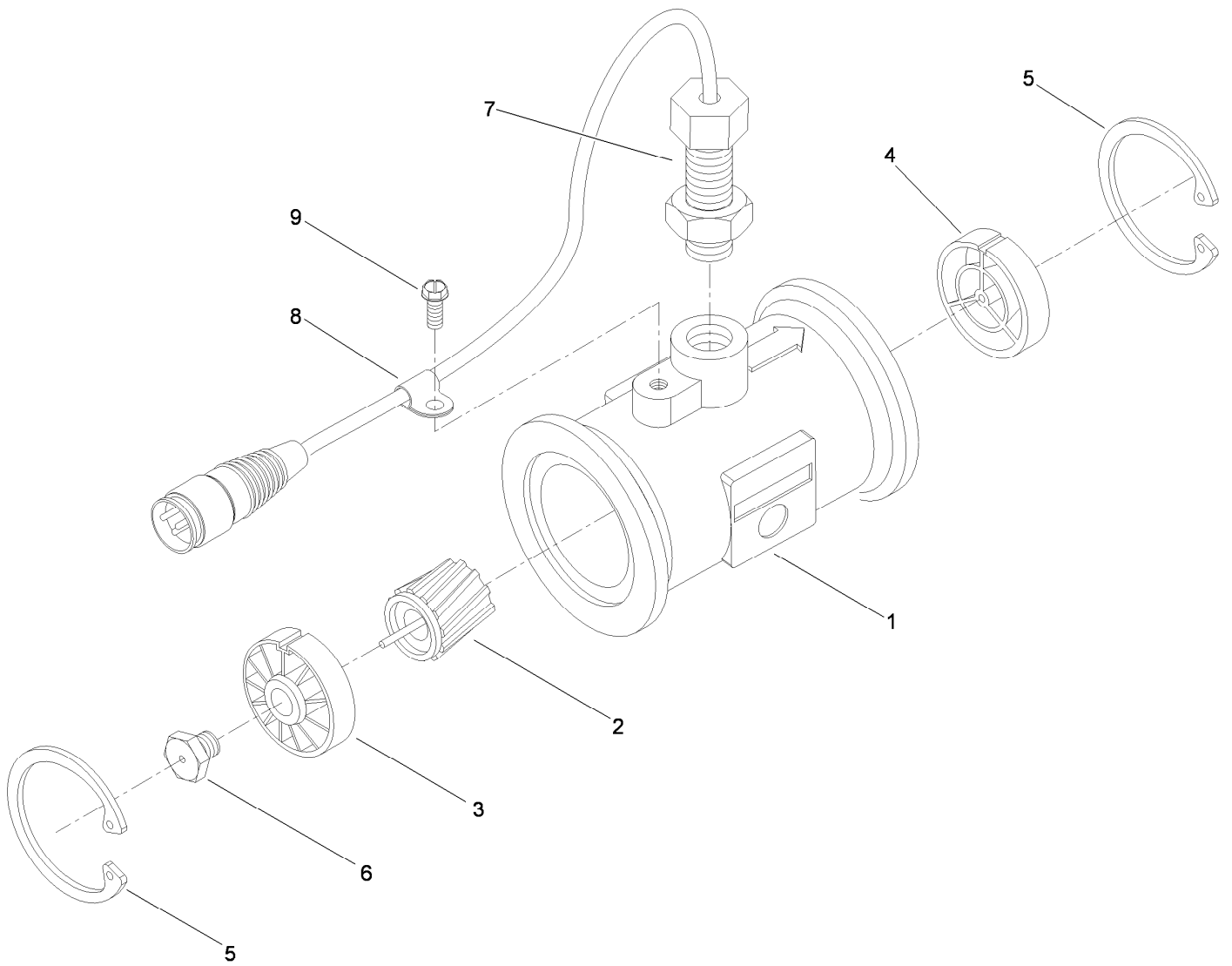


Item 99:7 not used on this kit.

Manifold Valve Kit No. 131-7256

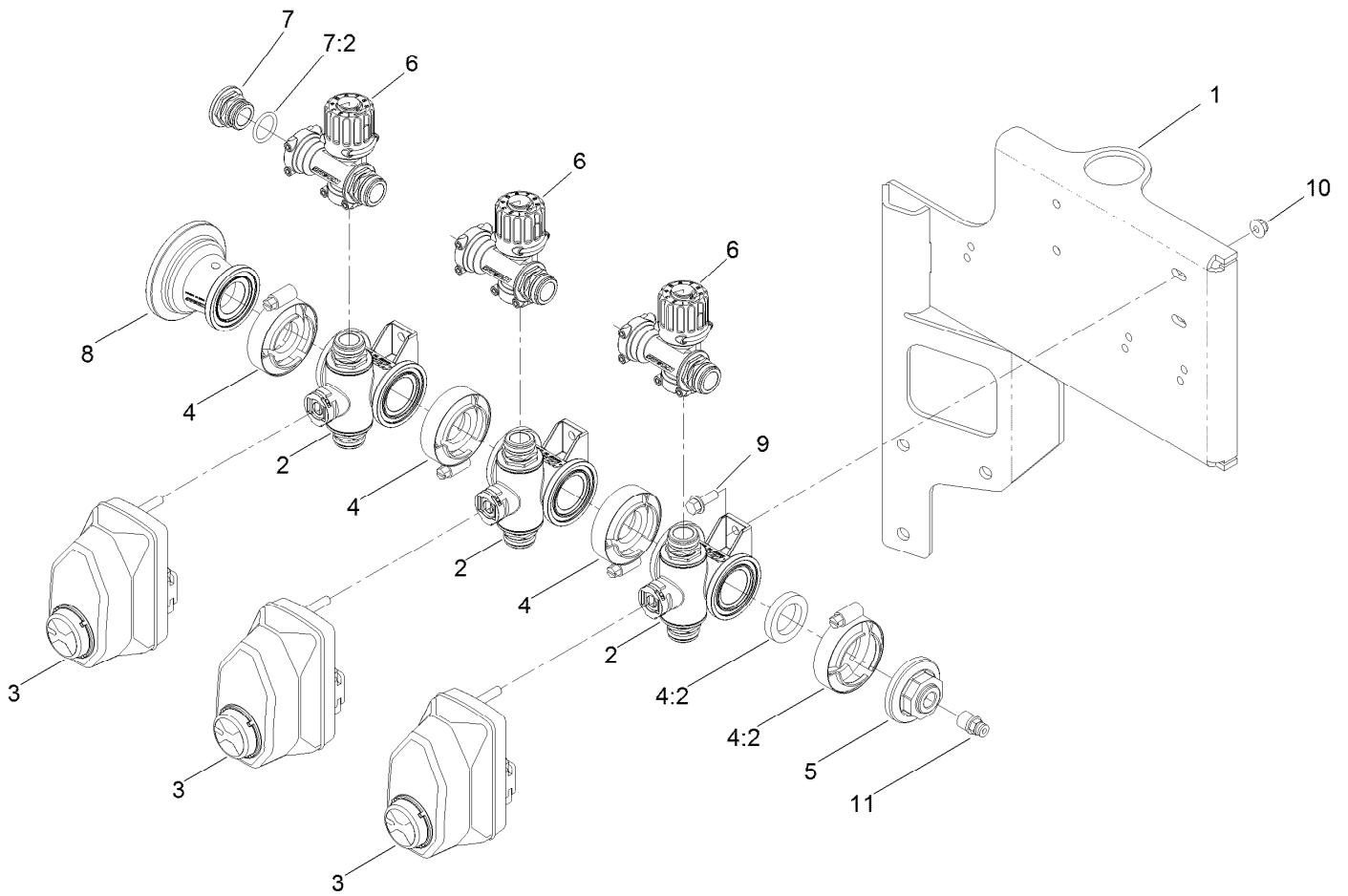
Ref.	Part Number	Qty.	Description	Ref.	Part Number	Qty.	Description
1	130-8248	1	Valve Stem Kit	7:2	127-1188	1	O-Ring, Seat (Ball)
1:1	127-1197	2	O-Ring-Stem	7:3	127-1189	1	O-Ring, Endcap
2	127-1194	1	Ball-Valve, 3Way	7:4	127-1187	1	O-Ring, Endcap
3	130-8249	1	Endcap Kit	99	130-7304	1	Valve Repair Kit ●
3:1	127-1192	1	Seat-Ball	99:1	127-1197	2	O-Ring-Stem
3:2	127-1188	1	O-Ring, Seat (Ball)	99:2	127-1196	2	Washer-Stem, Valve
3:3	127-1189	1	O-Ring, Endcap	99:3	127-1195	1	Seat-Stem, Valve
4	127-1196	1	Washer-Stem, Valve	99:4	127-1190	1	Fork-Stem, Valve
5	127-1195	1	Seat-Stem, Valve	99:5	127-1192	2	Seat-Ball
6	127-1190	1	Fork-Stem, Valve	99:6	127-1188	2	O-Ring, Seat (Ball)
7	130-7317	1	Endcap Kit	99:7	127-1187	2	O-Ring, Endcap
7:1	127-1192	1	Seat-Ball	99:8	127-1189	2	O-Ring, Endcap

● Not illustrated



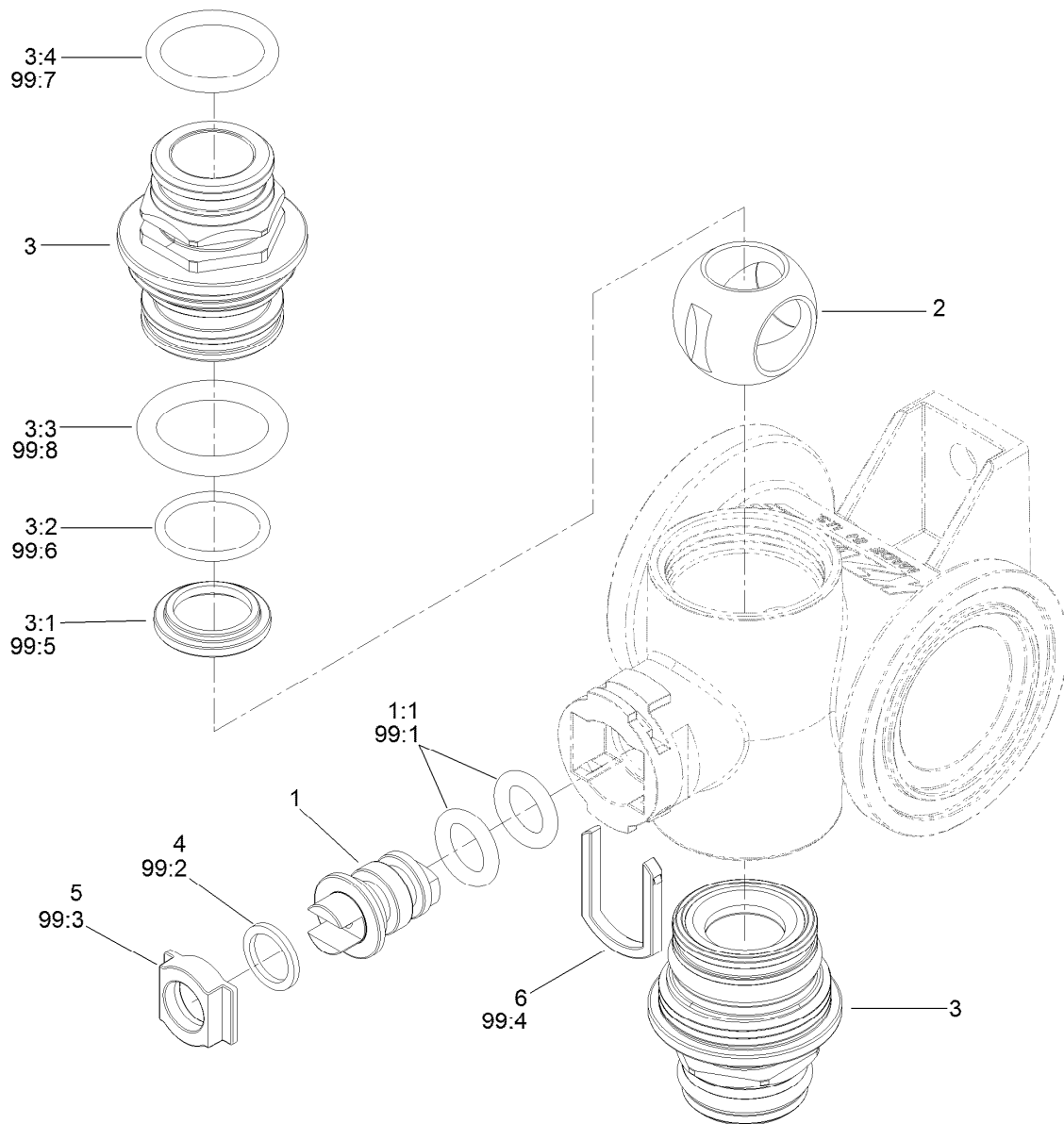
Flow Meter Assembly No. 106-1038

<i>Ref.</i>	<i>Part Number</i>	<i>Qty.</i>	<i>Description</i>
1	106-1042	1	Body-Meter, Flow
2	104-9059	1	Rotor / Magnet ASM
3	104-9060	1	Upstream Hub And Bearing ASM
4	104-9061	1	Downstream Hub ASM
5	104-9062	2	Ring-Retaining, Internal
6	42480	1	Stud-Turbine (W / Bearing)
7	104-9065	1	External Sensor ASM
8	104-9063	1	Clamp-Cable
9	104-9064	1	Screw-HWHTF



Section Valve Manifold Assembly

Ref.	Part Number	Qty.	Description
1	131-0258	1	Mount-Valves, Boom
2	127-9803	3	On/Off Manifold Valve Kit
3	131-3723	3	Actuator On/Off Kit
4	127-9829	4	Clamp/Gasket Kit
4:2	127-1145	1	Gasket-Flange
5	127-1185	1	Fitting-Cap, Port
6	127-9805	3	Bypass Valve ASM
7	127-9810	1	Male Cap Fitting Kit
7:2	127-1187	1	O-Ring, Endcap
8	127-1144	1	Fitting-Adapter
9	3234-4	4	Screw-HHF
10	104-7201	4	Nut-HF, NI
11	131-3709	1	Coupler

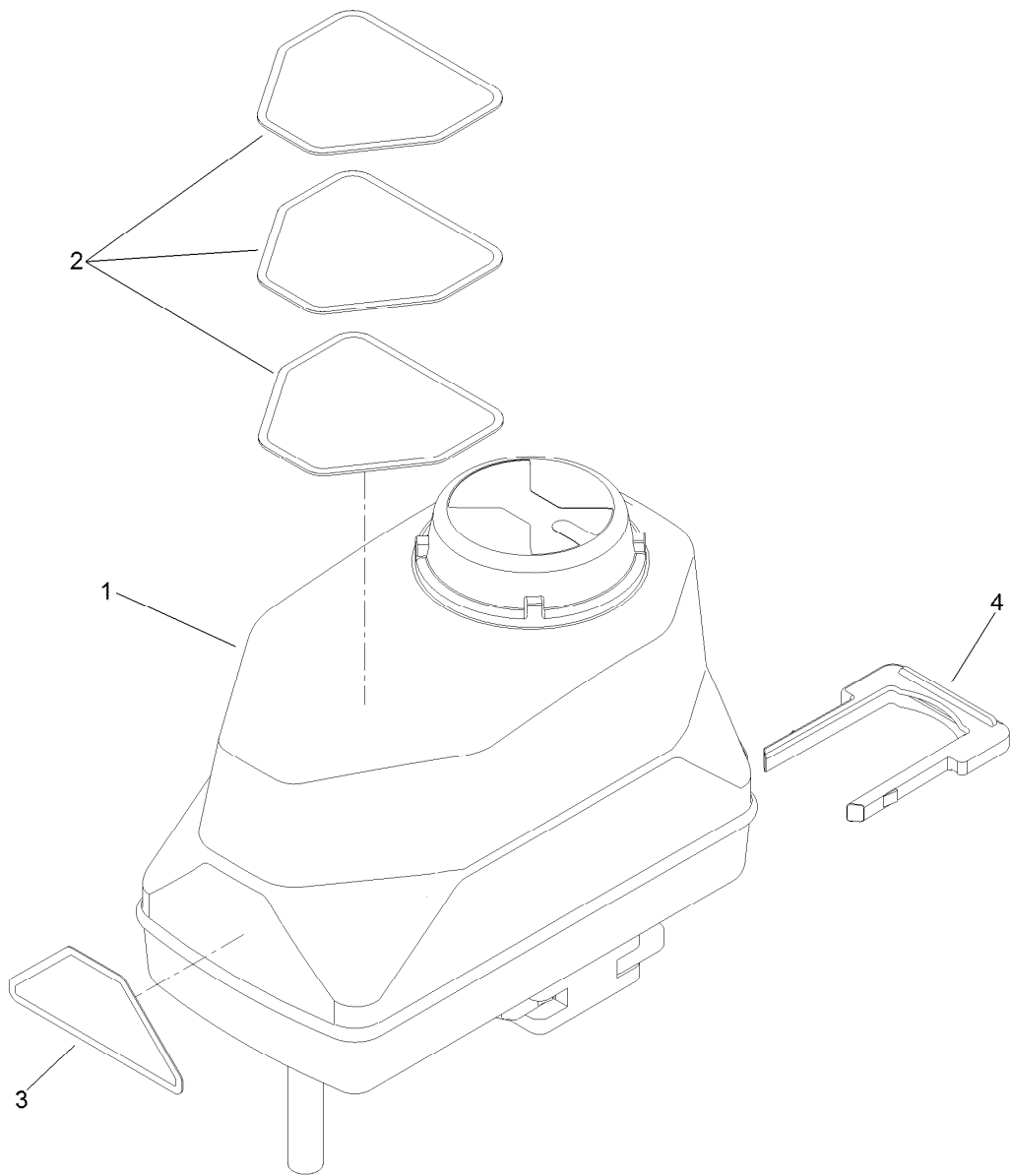


On/Off Manifold Valve Kit No. 127-9803

Ref.	Part Number	Qty.	Description
1	130-8248	1	Vavle Stem Kit
1:1	127-1197	2	O-Ring-Stem
2	127-1194	1	Ball-Valve, 3Way
3	130-7317	2	Endcap Kit
3:1	127-1192	1	Seat-Ball
3:2	127-1188	1	O-Ring, Seat (Ball)
3:3	127-1189	1	O-Ring, Endcap
3:4	127-1187	1	O-Ring, Endcap
4	127-1196	1	Washer-Stem, Valve
5	127-1195	1	Seat-Stem, Valve

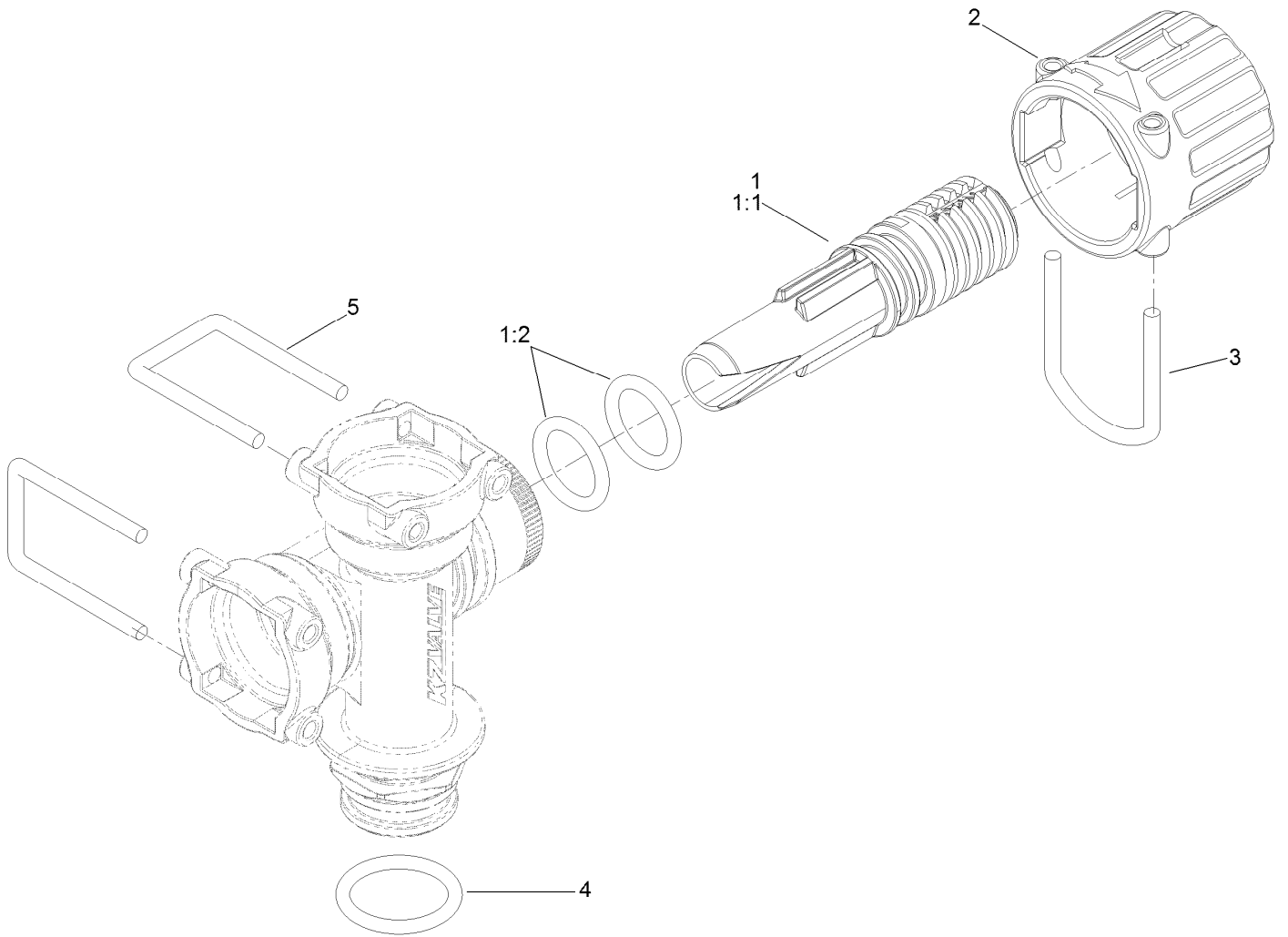
Ref.	Part Number	Qty.	Description
6	127-1190	1	Fork-Stem, Valve
99	130-7304	1	Valve Repair Kit ●
99:1	127-1197	2	O-Ring-Stem
99:2	127-1196	2	Washer-Stem, Valve
99:3	127-1195	1	Seat-Stem, Valve
99:4	127-1190	1	Fork-Stem, Valve
99:5	127-1192	2	Seat-Ball
99:6	127-1188	2	O-Ring, Seat (Ball)
99:7	127-1187	2	O-Ring, Endcap
99:8	127-1189	2	O-Ring, Endcap

● Not illustrated



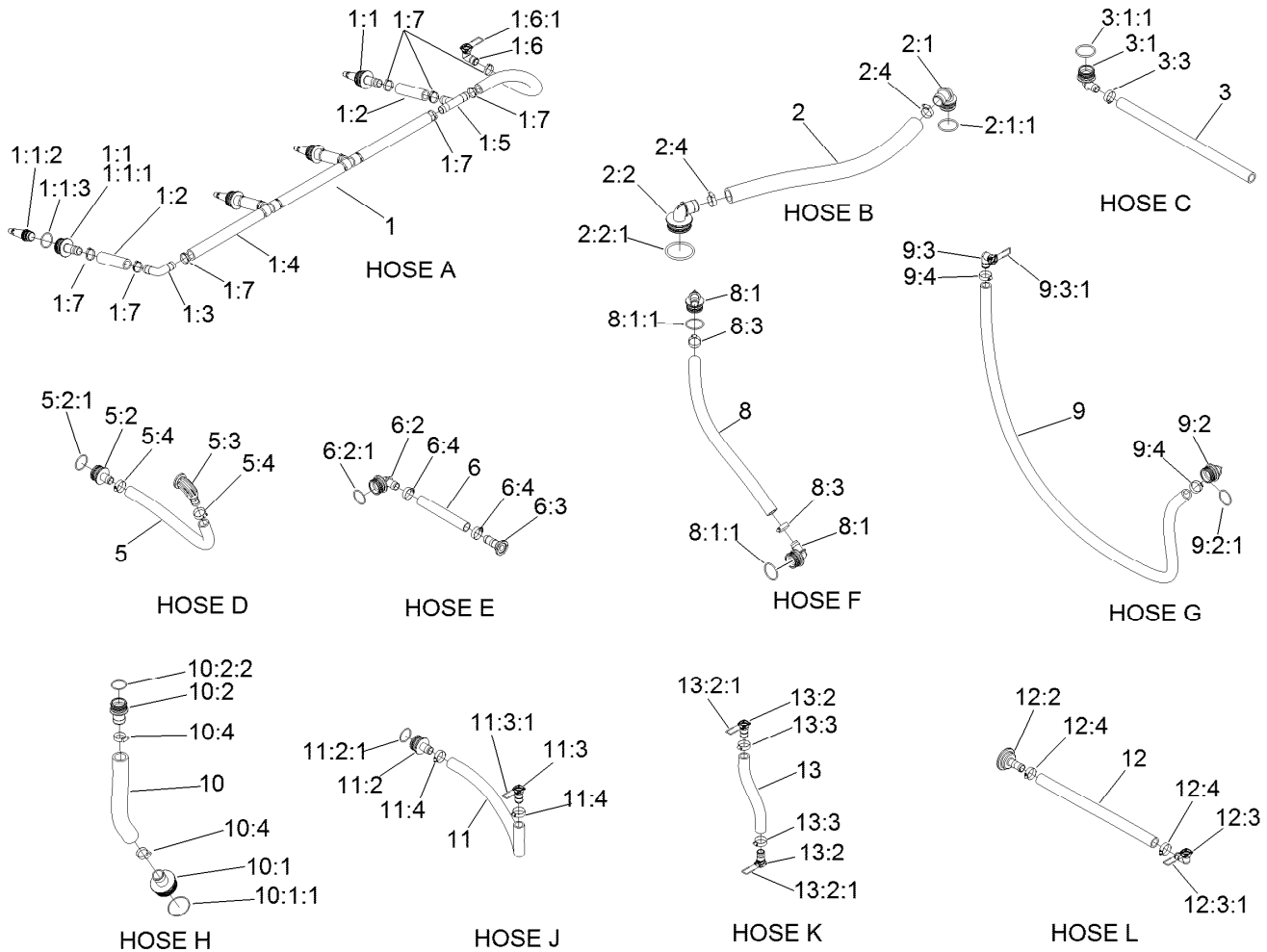
Actuator On/Off Kit No. 131-3723

<i>Ref.</i>	<i>Part Number</i>	<i>Qty.</i>	<i>Description</i>
1	127-9801	1	Actuator-On/Off
2	127-6979	1	Decal-Valve, Agitation
2	127-6981	1	Decal-Valve, On/Off
2	127-6982	1	Decal-Valve, Master Boom
3	127-6976	1	Decal-Valve, Bypass Adjust
4	130-7301	1	Hairpin-Actuator



Bypass Valve Assembly No. 127-9805

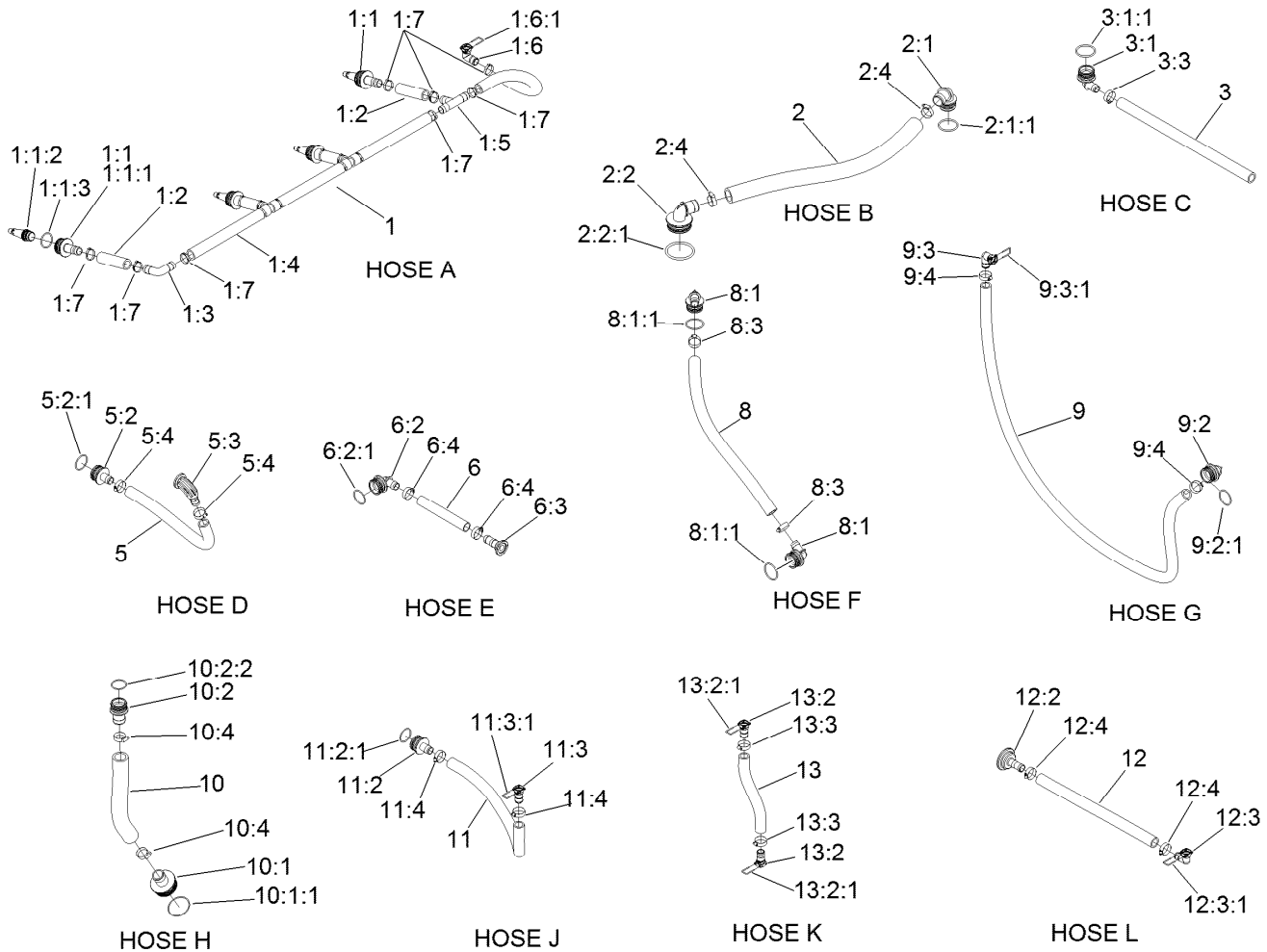
<i>Ref.</i>	<i>Part Number</i>	<i>Qty.</i>	<i>Description</i>
1	131-0298	1	Bypass Needle Kit
1:1	127-1182	1	Needle-Bypass
1:2	127-1181	2	Oring-Bypass Needle
2	127-1180	1	Knob-Bypass
3	127-1179	1	Fork-Bypass Knob
4	127-1187	1	O-Ring, Endcap
5	127-1175	2	Fork



Reference **Spray Tank Assembly** page and **Spray Tank Valve Assembly** page for hose locations and orientation

Hose Assembly

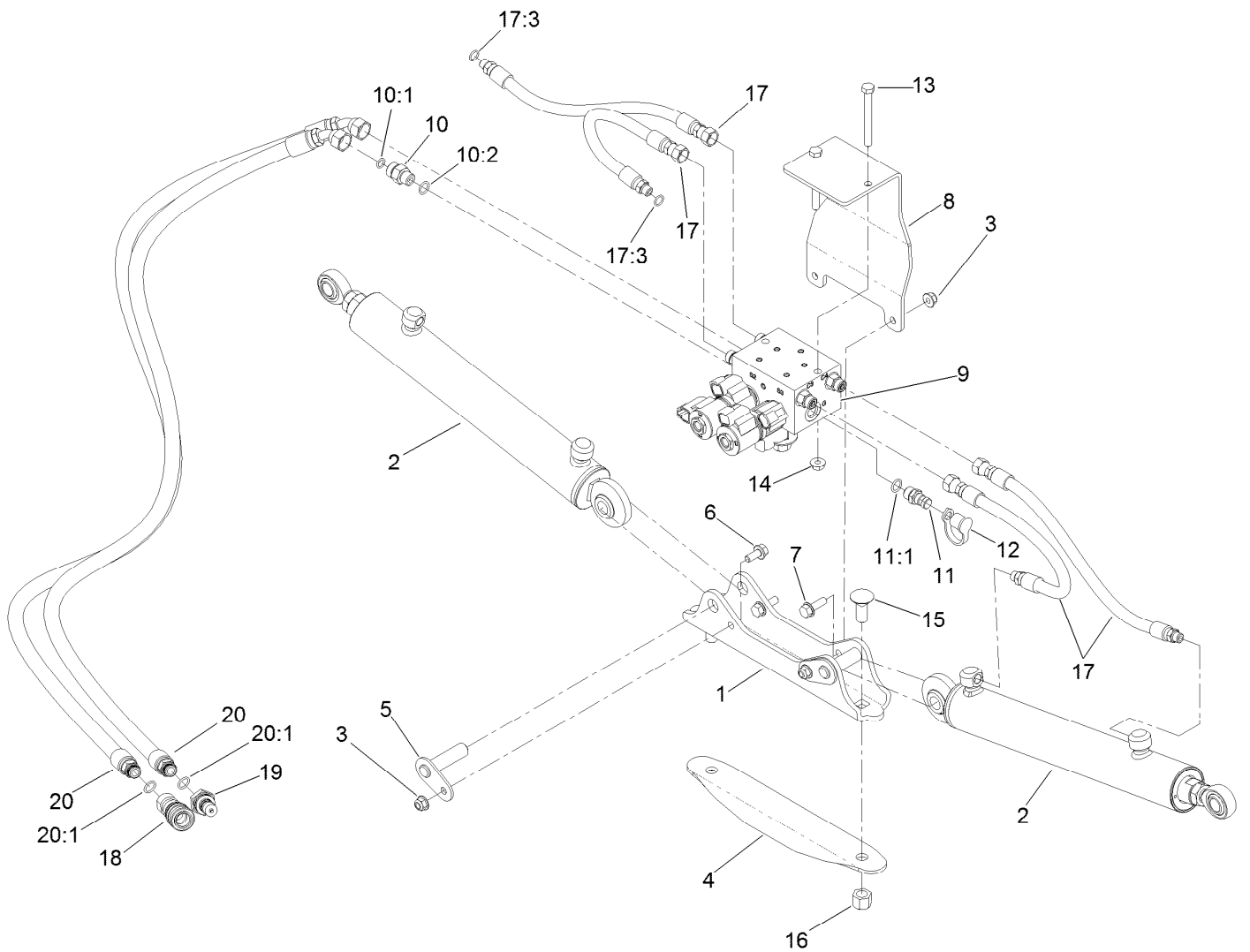
Ref.	Part Number	Qty.	Description	Ref.	Part Number	Qty.	Description
1	132-4327	1	Hose-Agitation	3:3	2412-34	1	Clamp-Hose
1:1	131-3731	4	Agitation Nozzle ASM	5	132-4329	1	Hose-Supply
1:1:1	131-3732	1	Fitting-Barb	5:2	106-4932	1	Hosebarb-Straight
1:1:2	120-8579	1	Nozzle-Agitation	5:2:1	100-8637	1	O-Ring
1:1:3	121-4996	1	O-Ring	5:3	131-0241	1	Fitting-Elb 90
1:2	119-0441	4	Hose-Agitation	5:4	2412-34	2	Clamp-Hose
1:3	117-7867	1	Elbow-Hosebarb	6	132-4331	1	Hose-Agitation, Bypass
1:4	117-7862	3	Hose-Main Agitation	6:2	106-4933	1	Hosebarb ASM
1:5	117-7866	3	Tee-Hosebarb	6:2:1	100-8637	1	O-Ring
1:6	131-0213	1	90 DEG Barb Fitting Kit	6:3	127-1142	1	Fitting-STR
1:6:1	133-0398	1	Pin-Fork	6:4	2412-34	2	Clamp-Hose
1:7	2412-3	16	Clamp-Hose	8	125-0639	1	Regulating Hose ASM
2	125-0645	1	Upper Suction Hose ASM	8:1	106-4933	2	Hosebarb ASM
2:1	110-5156	1	Suction Elbow ASM	8:1:1	100-8637	1	O-Ring
2:1:1	100-8637	1	O-Ring	8:3	2412-34	2	Clamp-Hose
2:2	106-4952	1	Hosebarb-90 DEG	9	132-4333	1	Hose-Bypass
2:2:1	100-6989	1	O-Ring	9:2	106-4933	1	Hosebarb ASM
2:4	41327	2	Clamp-Hose	9:2:1	100-8637	1	O-Ring
3	133-2868	1	Drain Hose ASM	9:3	131-0213	1	90 DEG Barb Fitting Kit
3:1	106-4933	1	Hosebarb ASM	9:3:1	133-0398	1	Pin-Fork
3:1:1	100-8637	1	O-Ring	9:4	2412-34	2	Clamp-Hose



Reference **Spray Tank Assembly** page and **Spray Tank Valve Assembly** page for hose locations and orientation

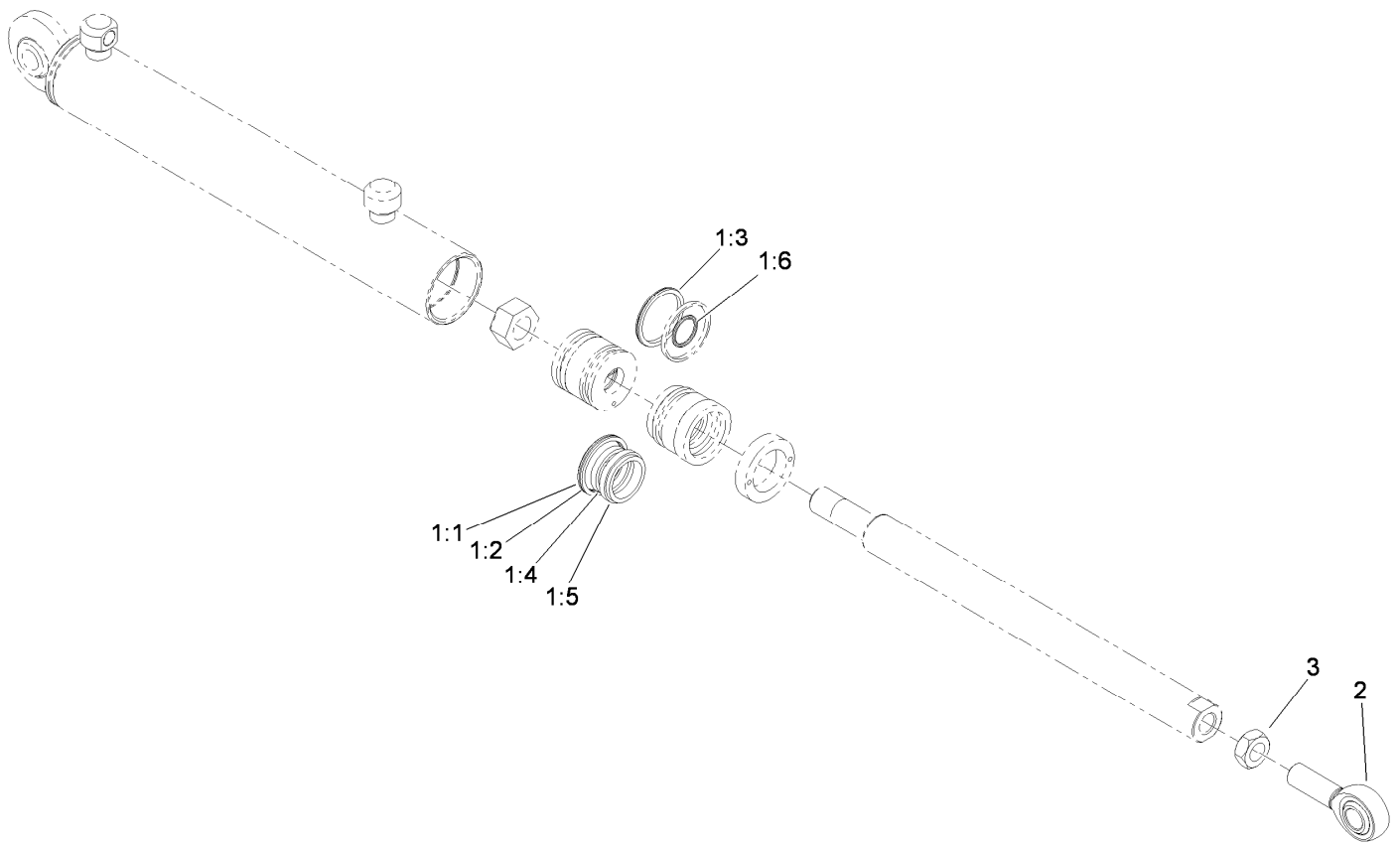
Hose Assembly (continued)

Ref.	Part Number	Qty.	Description	Ref.	Part Number	Qty.	Description
10	125-0643	1	Lower Suction Hose ASM	11:4	2412-34	2	Clamp-Hose
10:1	117-7965	1	Hosebarb ASM	12	132-4332	1	Hose-Master
10:1:1	100-6989	1	O-Ring	12:2	107-8704	1	Hosebarb
10:2	117-7982	1	Hosebarb ASM	12:3	131-0213	1	90 DEG Barb Fitting Kit
10:2:2	100-8637	1	O-Ring	12:3:1	133-0398	1	Pin-Fork
10:4	41327	2	Clamp-Hose	12:4	2412-34	2	Clamp-Hose
11	132-4330	1	Hose-Regulating	13	132-4326	1	Hose-Agitation, Supply
11:2	106-4932	1	Hosebarb-Straight	13:2	127-9806	2	Fitting Kit
11:2:1	100-8637	1	O-Ring	13:2:1	133-0398	1	Pin-Fork
11:3	127-9806	1	Fitting Kit	13:3	2412-34	2	Clamp-Hose
11:3:1	133-0398	1	Pin-Fork				



Boom Lift Assembly

<i>Ref.</i>	<i>Part Number</i>	<i>Qty.</i>	<i>Description</i>	<i>Ref.</i>	<i>Part Number</i>	<i>Qty.</i>	<i>Description</i>
1	119-4856-03	1	Plate-Mount, Cylinders	11:1	237-42	1	O-Ring
2	117-0701	2	Hydraulic Cylinder ASM	12	354-79	1	Cap-Dust
3	104-8300	4	Nut-HF, NI	13	322-14	2	Screw-HH
4	131-0297-03	1	Plate-Stiffener, Boom	14	32128-26	2	Nut-HF
5	112-7884	2	Pin-Pivot	15	110-5067	2	Screw-CARR
6	110-5053	2	Screw-HHF	16	3296-23	2	Nut-Lock, NI
7	3234-29	2	Screw-HHF	17	119-4859	4	Hose ASM
8	130-8201-03	1	Mount-Valve	17:3	237-78	1	O-Ring
9	117-0702	1	On-Off Boom Lift Valve ASM	18	106-7968	1	Coupler-Quick, Female
10	340-2	2	Fitting-Straight	19	106-7969	1	Coupler-Quick, Male
10:1	237-22	1	O-Ring	20	127-9717	2	Hose ASM
10:2	237-42	1	O-Ring	20:1	237-42	1	O-Ring
11	59-7410	1	Fitting-Diagnostic				

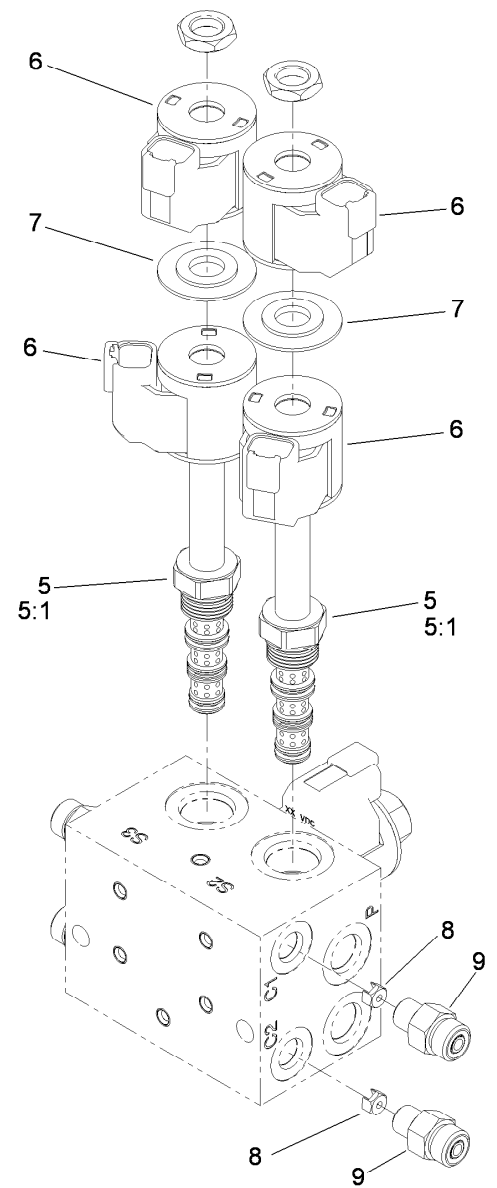
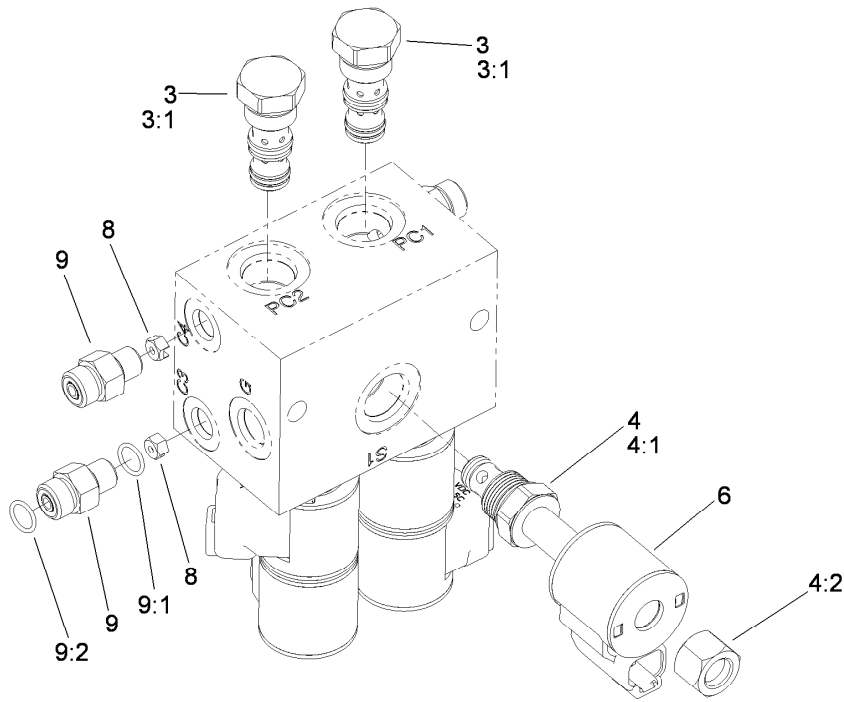


Hydraulic Cylinder Assembly No. 117-0701

<i>Ref.</i>	<i>Part Number</i>	<i>Qty.</i>	<i>Description</i>
1	119-8026	1	Seal Kit ●
1:1		1	O-Ring ■
1:2		1	Ring-Backup ■
1:3		1	Bp Seal ■
1:4		1	Bs Seal ■
1:5		1	Dust Seal ■
1:6		1	O-Ring ■
2	119-8027	1	Rod End
3	3220-6	1	Nut-Jam

● Not illustrated

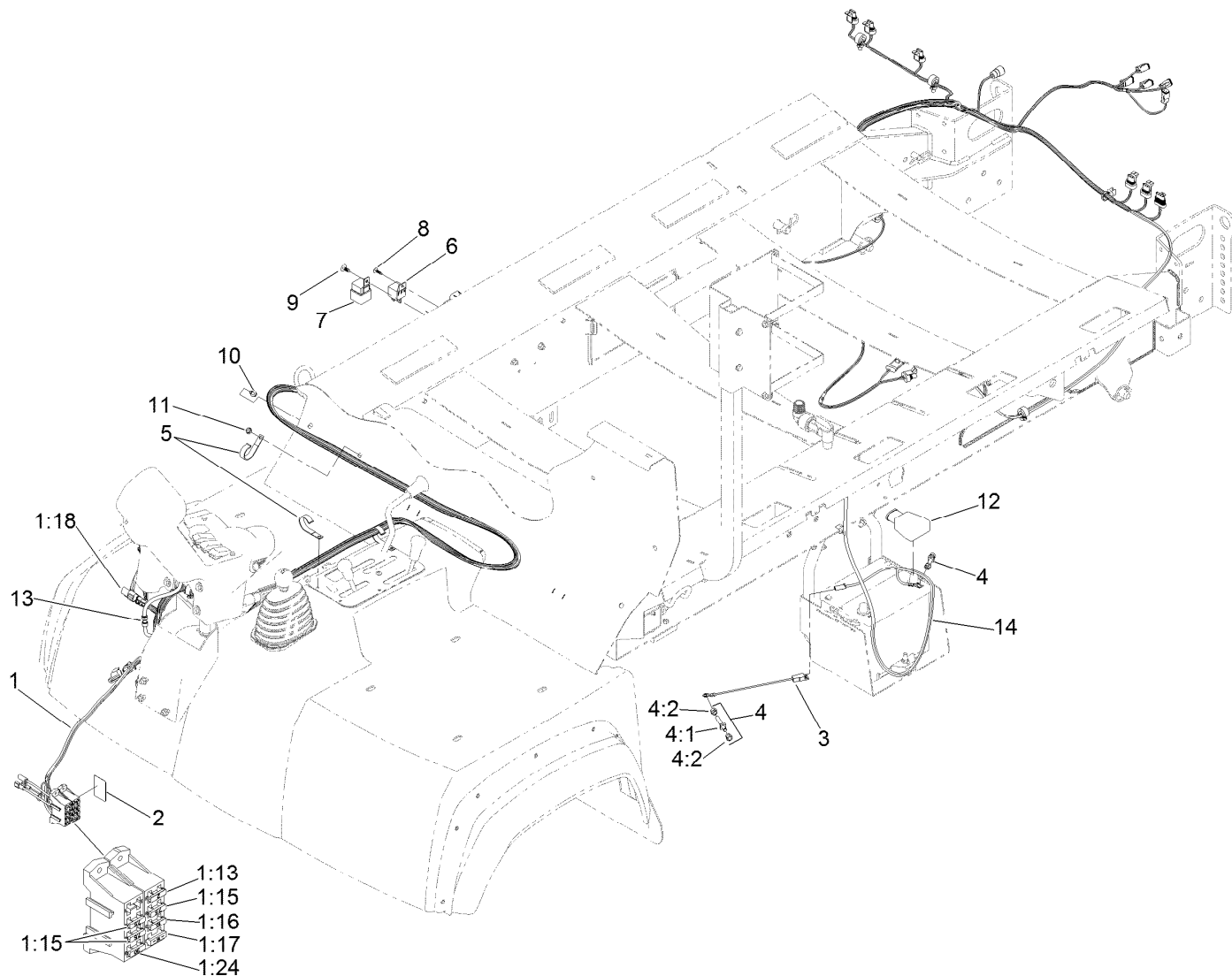
■ Not serviced separately



On-Off Boom Lift Valve No. 117-0702

Ref.	Part Number	Qty.	Description
3	120-2588	2	Valve-Check
3:1	120-0886	1	Seal Kit ●
4	107-7517	1	Valve-Solenoid
4:1	105-9156	1	Seal Kit
4:2	107-7812	1	Nut-Solenoid
5	120-2587	2	Valve-Solenoid
5:1	112-6520	1	Seal Kit ●
6	119-8036	5	Coil
7	120-2586	2	Spacer-Coil
8	120-2585	4	Orifice, .035
9	340-92	4	Fitting-Straight
9:1	237-78	1	O-Ring
9:2	237-21	1	O-Ring

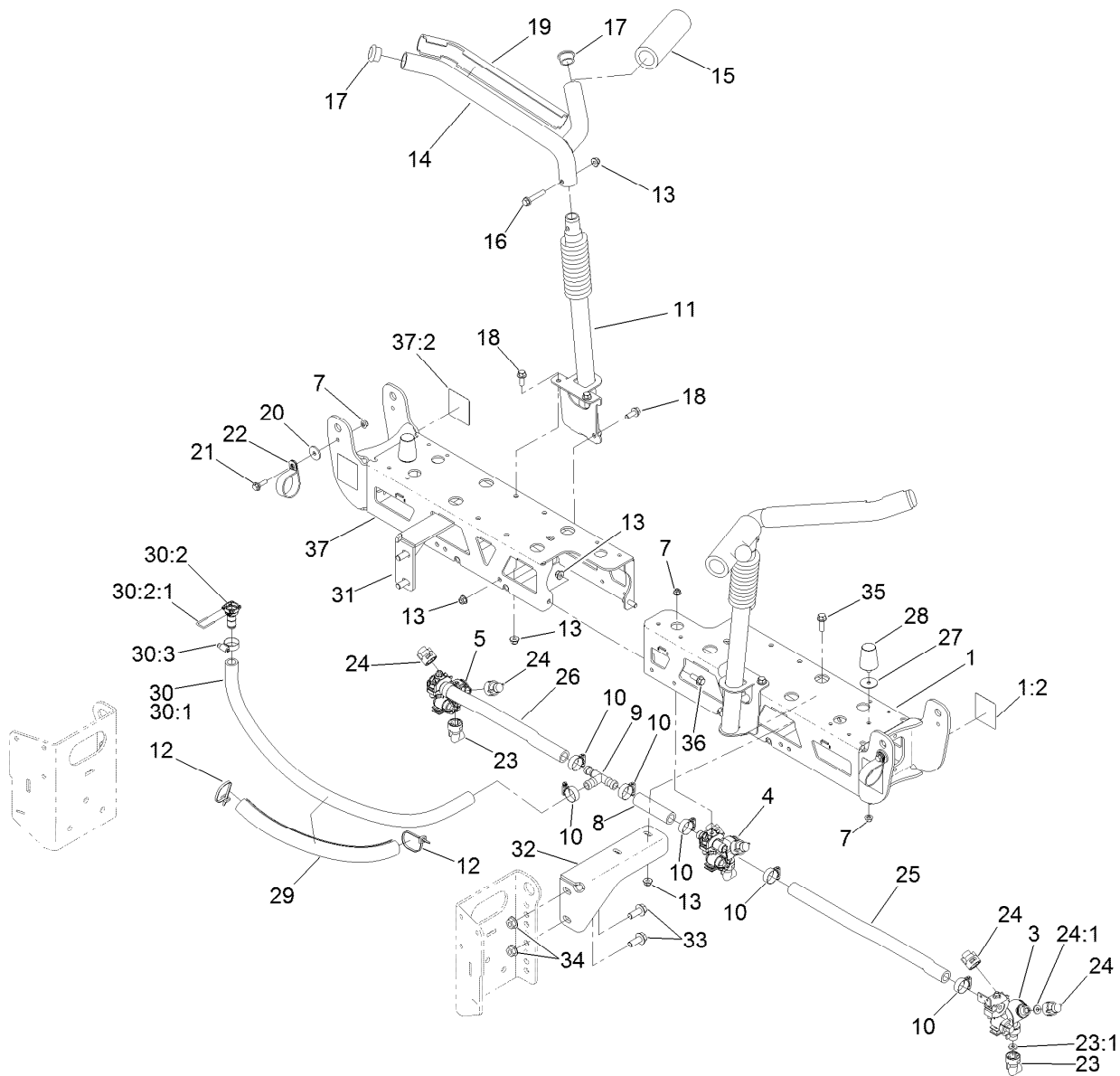
● Not illustrated



Electrical Assembly

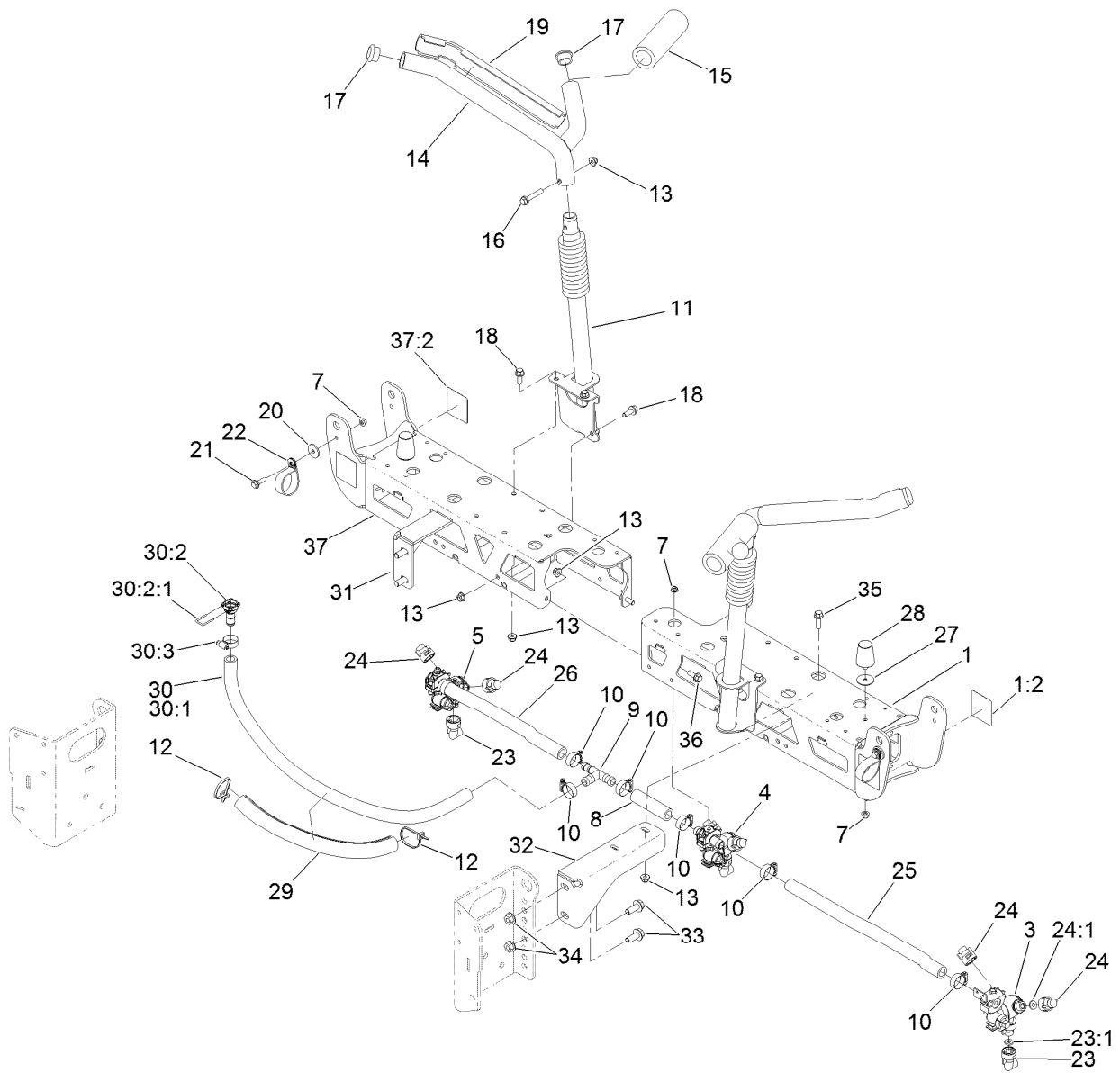
<i>Ref.</i>	<i>Part Number</i>	<i>Qty.</i>	<i>Description</i>
1	122-0735	1	Harness-Wire, Front
1:13	94-6710	1	Fuse-2 Amp
1:15	114241	2	Fuse-Blade, 7.5 Amp
1:16	218-578	1	Fuse-Blade, 10 Amp
1:17	109355	1	Fuse-Blade, 15 Amp
1:18	32180-043	2	Resistor-120 Ohm
1:24	109103	1	Fuse-Blade, 30 Amp
2	127-3966	1	Decal-Fuse Block
3	108-9455	1	Harness-Wire, Fusible Link
4	112-9921	2	Bolt ASM
4:1	32180-107	1	Bolt-Clamp, Battery

<i>Ref.</i>	<i>Part Number</i>	<i>Qty.</i>	<i>Description</i>
4:2	32180-108	2	Nut-Hex Shoulder
5	106-1429	3	Clamp-J
6	99-7435	1	Relay
7	99-7430	1	Relay-Mini
8	125-8067	1	Plug-Plastic
9	104-0395	1	Plug-Plastic
10	3234-13	1	Screw-HHF
11	104-7201	1	Nut-HF, NI
12	32180-110	1	Insulator-Lead Cast
13	132-7773	1	Connector-Hose
14	122-0736	1	Harness-Wire, Rear



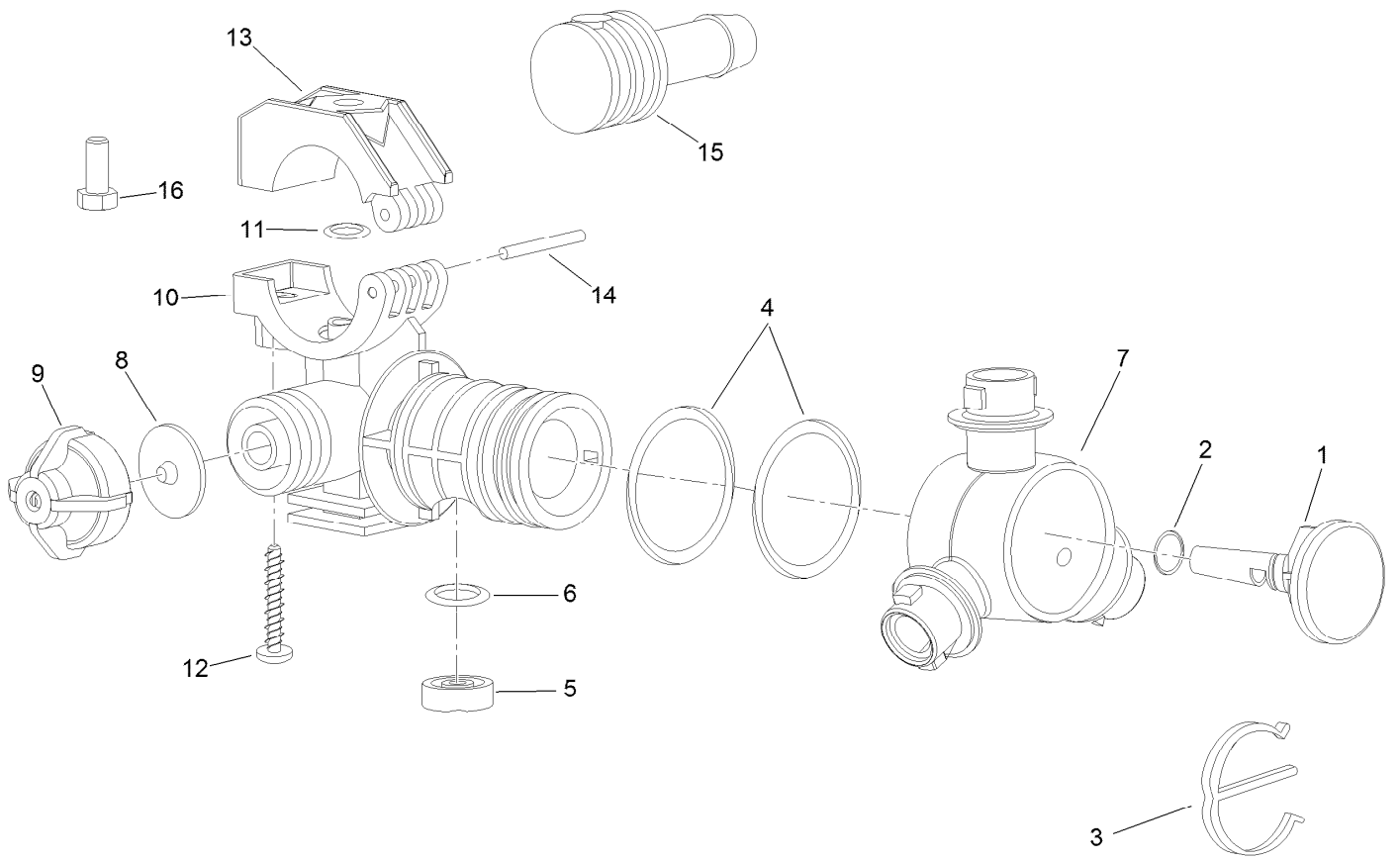
Center Boom Assembly

Ref.	Part Number	Qty.	Description	Ref.	Part Number	Qty.	Description
1	136-0381	1	Boom-LH	22	114-9566	2	Clamp-R
1:2	120-0617	2	Decal-Warning, Pinch, Crush	23	95-9186	3	Cap
3	108-3725	1	LH Single Body Turret ASM	23:1	40998	1	Seat-Gasket
4	108-3727	1	Double Turret Body ASM	24	95-9187	6	Cap-Blank
5	108-3726	1	RH Single Body Turret ASM	24:1	40998	1	Seat-Gasket
7	104-8300	7	Nut-HF, NI	25	108-3735	1	Hose-Boom, Center (LH)
8	108-3717	1	Hose-Boom	26	108-3718	1	Hose-Boom, Center (RH)
9	108-3439	1	Tee	27	3256-68	2	Washer-Flat
10	2412-129	7	Clamp-Hose	28	110-5070	2	Bumper
11	130-8238-03	2	Lower Cradle ASM	29	127-3923	1	Conduit-Convolved
12	3290-378	2	Tie-Cable	30	132-4335	1	Hose-Center Boom
13	104-8301	14	Nut-HF, NI	30:1	127-9770	1	Hose-Shutoff
14	108-3476-03	2	Cradle-Upper	30:2	127-9807	1	Straight Fitting Kit
15	108-3457	2	Spacer	30:2:1	133-0398	1	Pin-Fork
16	108-3742	2	Screw-HHF	30:3	2412-129	1	Clamp-Hose
17	108-3489	4	Cap-Tube	31	127-8955-03	1	Mount-Boom
18	110-5052	6	Screw-HHF	32	127-8956-03	1	Mount-Boom
19	108-3495	2	Cover-Slide	33	110-5057	4	Capscrew-HHF
20	108-3743	2	Washer	34	108-3745	4	Nut-HHF, Whiz
21	108-3744	2	Screw-Shoulder	35	110-5050	4	Screw-HHF
				36	3234-42	2	Screw-HHF



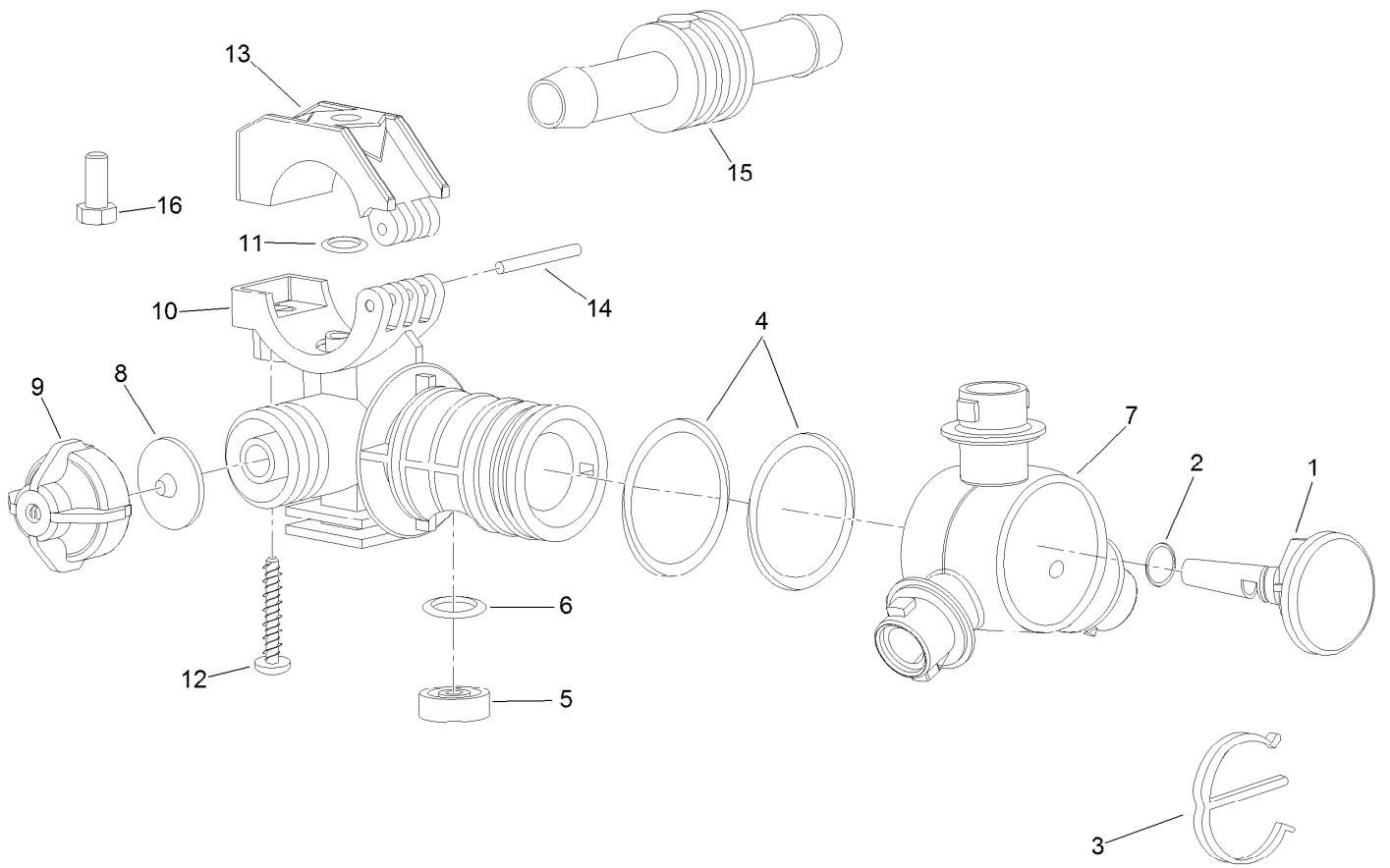
Center Boom Assembly (continued)

Ref.	Part Number	Qty.	Description
37	136-0382	1	Boom-RH
37:2	120-0617	2	Decal-Warning, Pinch, Crush



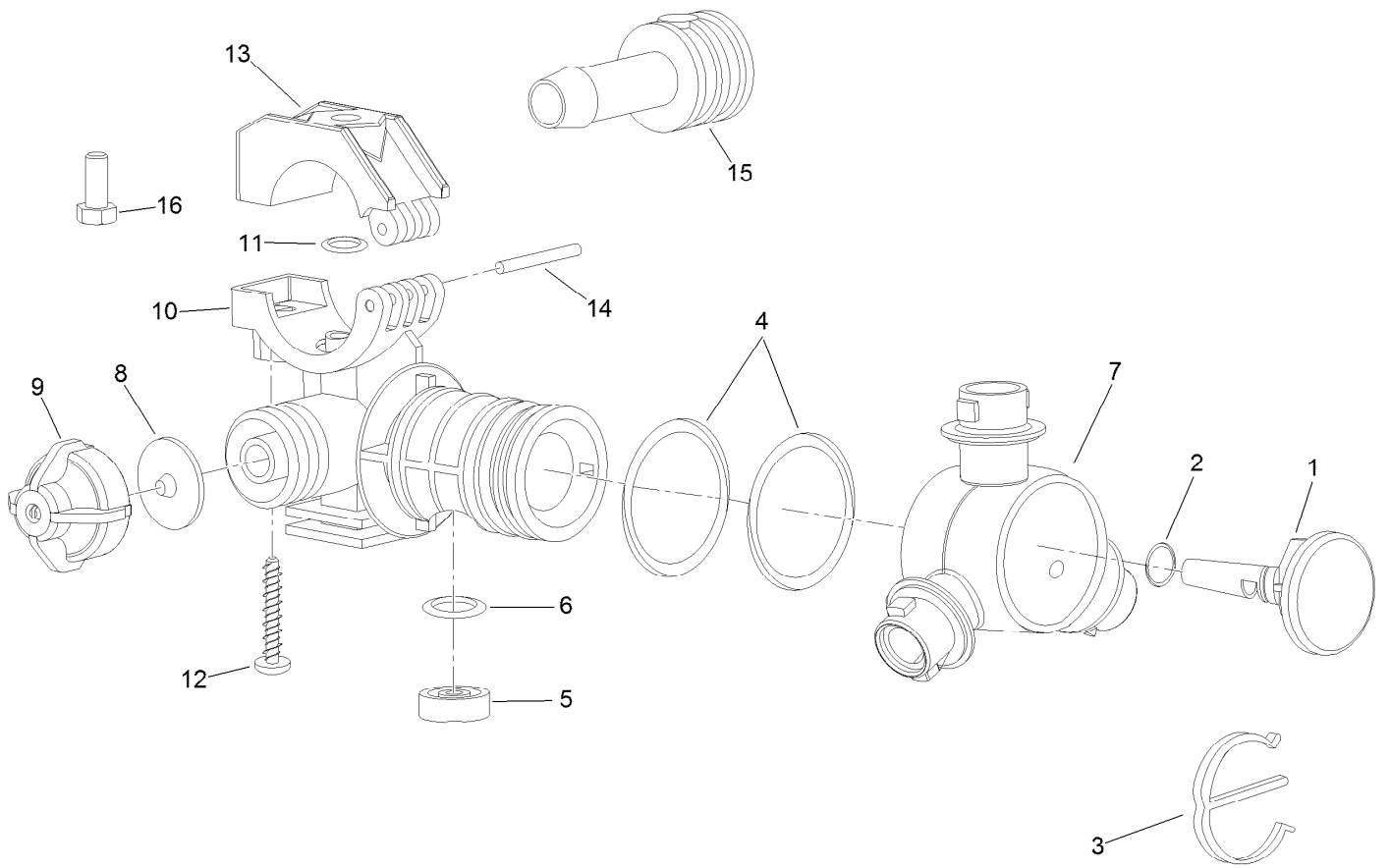
LH Single Turret Body Assembly No. 108-3725

<i>Ref.</i>	<i>Part Number</i>	<i>Qty.</i>	<i>Description</i>	<i>Ref.</i>	<i>Part Number</i>	<i>Qty.</i>	<i>Description</i>
1	95-9200	1	Plug	9	95-9193	1	Cap-Diaphragm
2	95-9198	1	O-Ring	10	95-9192	1	Body-Split Eyelet
3	95-9197	1	E-Clip	11	95-9191	1	O-Ring
4	95-9199	2	O-Ring	12	99-0811	1	Screw-Clamp
5	108-3264	1	Seal-Viton	13	99-0812	1	Clamp-Upper
6	108-3265	1	O-Ring-Viton	14	99-0814	1	Pin-Pivot
7	95-9196	1	Turret	15	95-9201	1	Shank-Hose
8	41003	1	Diaphragm	16	322-3	1	Screw-HH



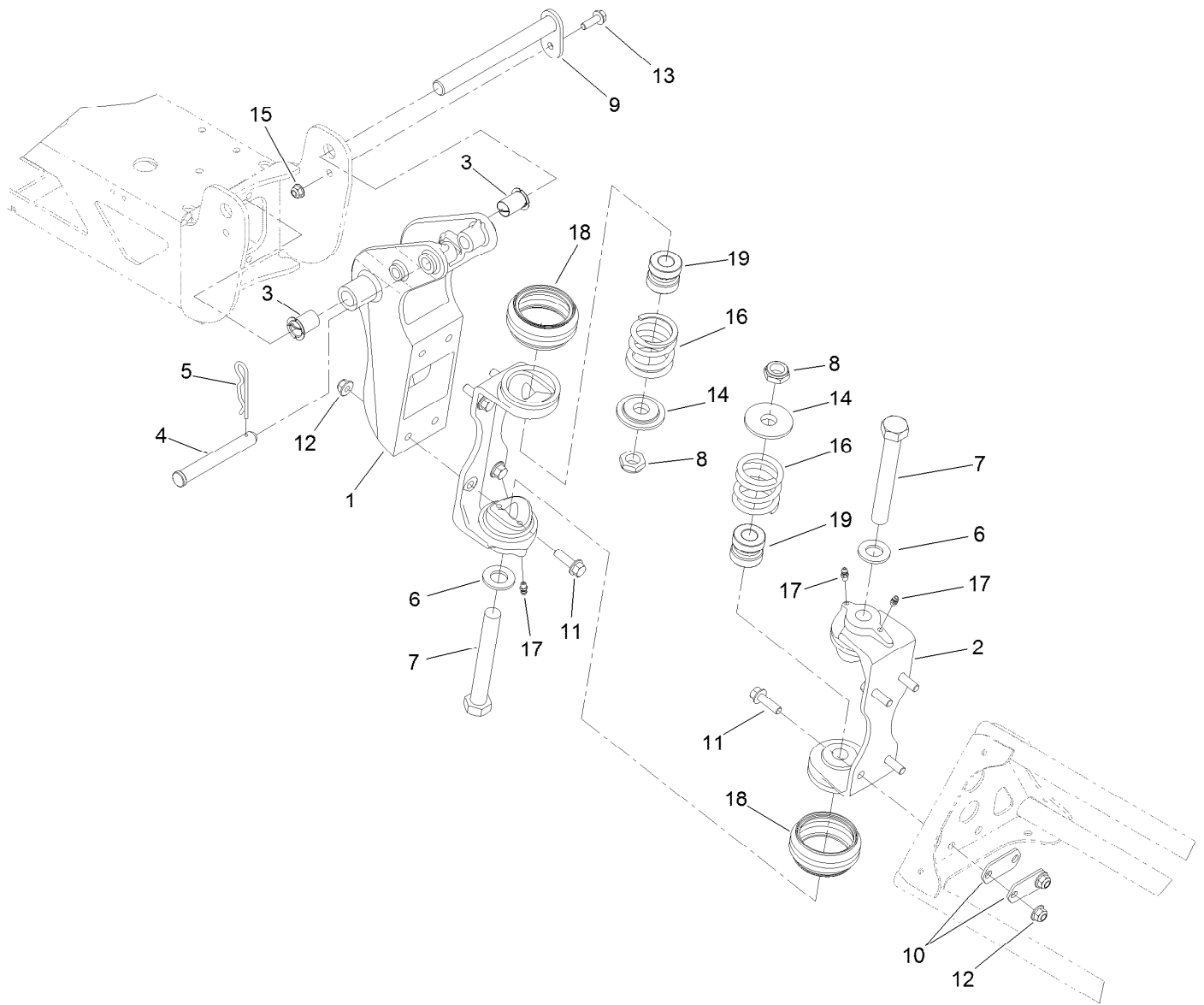
Double Turret Body Assembly No. 108-3727

<i>Ref.</i>	<i>Part Number</i>	<i>Qty.</i>	<i>Description</i>	<i>Ref.</i>	<i>Part Number</i>	<i>Qty.</i>	<i>Description</i>
1	95-9200	1	Plug	9	95-9193	1	Cap-Diaphragm
2	95-9198	1	O-Ring	10	95-9192	1	Body-Split Eyelet
3	95-9197	1	E-Clip	11	95-9191	1	O-Ring
4	95-9199	2	O-Ring	12	99-0811	1	Screw-Clamp
5	108-3264	1	Seal-Viton	13	99-0812	1	Clamp-Upper
6	108-3265	1	O-Ring-Viton	14	99-0814	1	Pin-Pivot
7	95-9196	1	Turret	15	95-9202	1	Shank-Hose
8	41003	1	Diaphragm	16	322-3	1	Screw-HH



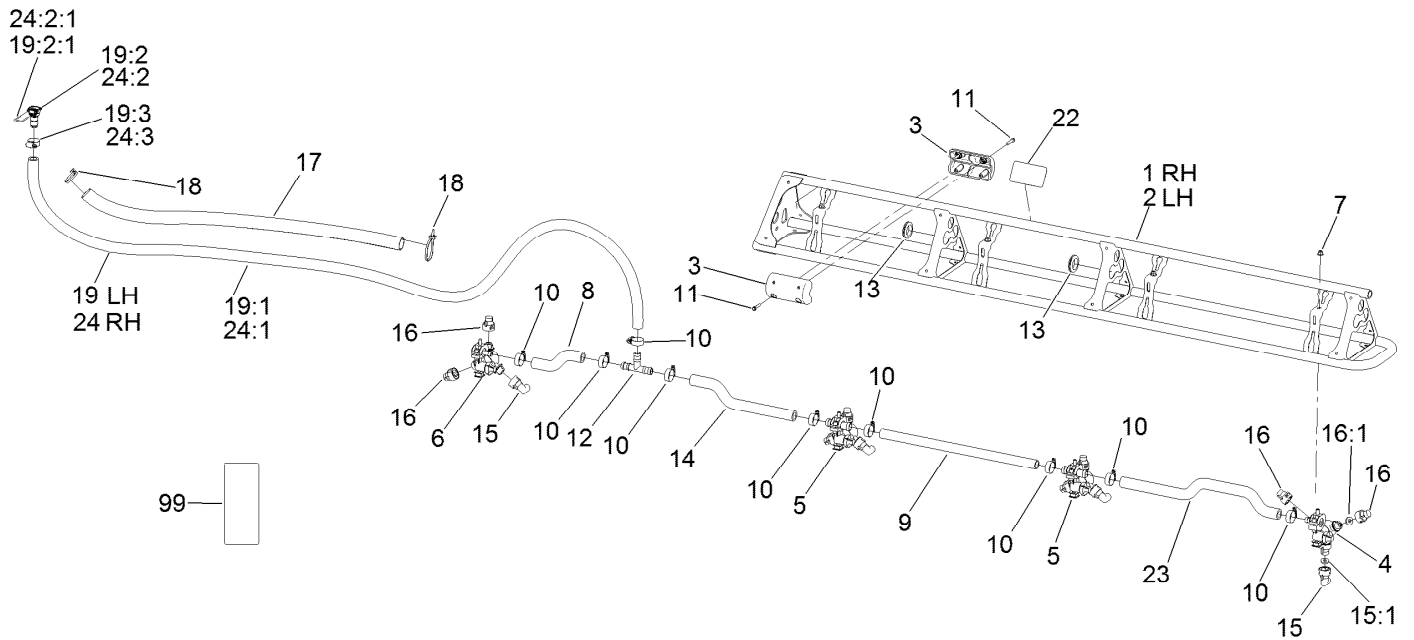
RH Single Body Turret Assembly No. 108-3726

<i>Ref.</i>	<i>Part Number</i>	<i>Qty.</i>	<i>Description</i>	<i>Ref.</i>	<i>Part Number</i>	<i>Qty.</i>	<i>Description</i>
1	95-9200	1	Plug	9	95-9193	1	Cap-Diaphragm
2	95-9198	1	O-Ring	10	95-9192	1	Body-Split Eyelet
3	95-9197	1	E-Clip	11	95-9191	1	O-Ring
4	95-9199	2	O-Ring	12	99-0811	1	Screw-Clamp
5	108-3264	1	Seal-Viton	13	99-0812	1	Clamp-Upper
6	108-3265	1	O-Ring-Viton	14	99-0814	1	Pin-Pivot
7	95-9196	1	Turret	15	95-9201	1	Shank-Hose
8	41003	1	Diaphragm	16	322-3	1	Screw-HH



Boom Mounting Assembly

<i>Ref.</i>	<i>Part Number</i>	<i>Qty.</i>	<i>Description</i>	<i>Ref.</i>	<i>Part Number</i>	<i>Qty.</i>	<i>Description</i>
1	119-4993-03	2	Bracket-Pivot	11	110-5050	16	Screw-HHF
2	108-3471-03	4	Hinge	12	104-8301	16	Nut-HF, NI
3	100-8541	4	Bushing-A Arm	13	108-3748	2	Screw-HHF
4	108-3436	2	Pin-Clevis	14	108-3444	4	Retainer-Spring
5	3290-468	2	Pin-Cotter	15	104-8300	2	Nut-HF, NI
6	110-5054	4	Washer-Flat	16	108-3440	4	Spring-Breakaway, Boom
7	108-3738	4	Screw-HH	17	302-5	8	Fitting-Grease
8	3296-15	4	Nut-Lock, NI	18	108-3459	4	Boot-Hinge
9	108-3419	2	Pivot Pin ASM	19	120-8541	4	Dampener-Hinge
10	108-3605	8	Plate-Backing				



Left and Right Hand Boom Assembly

Ref.	Part Number	Qty.	Description	Ref.	Part Number	Qty.	Description
1	108-3524-03	1	Boom-RH	16:1	40998	1	Seat-Gasket
2	108-3525-03	1	Boom-LH	17	107-8650	2	Conduit-Convolutd
3	119-9368	4	Block Slide	18	3290-378	6	Tie-Cable
4	108-3725	2	LH Single Body Turret ASM	19	132-4334	1	Hose-Left Boom
5	108-3727	4	Double Turret Body ASM	19:1	131-3790	1	Hose-Boom, RH
6	108-3726	2	RH Single Body Turret ASM	19:2	127-9807	1	Straight Fitting Kit
7	104-8300	8	Nut-HF, NI	19:2:1	133-0398	1	Pin-Fork
8	136-0437	2	Hose-Formed	19:3	2412-129	1	Clamp-Hose
9	40506	2	Hose-Jumper	22	104-8904	2	Decal-Grasp Boom Here
10	2412-129	18	Clamp-Hose	23	108-3735	2	Hose-Boom, Center (LH)
11	119-9369	8	Screw-HHF	24	132-4324	2	Hose-Boom
12	108-3439	2	Tee	24:1	127-9769	1	Hose-Supply
13	240-3	4	Grommet-Rubber	24:2	127-9807	1	Straight Fitting Kit
14	136-0436	2	Hose-Formed	24:2:1	133-0398	1	Pin-Fork
15	95-9186	8	Cap	24:3	2412-129	1	Clamp-Hose
15:1	40998	1	Seat-Gasket	99	119-9434	1	Decal-Magnetic
16	95-9187	16	Cap-Blank				

Attachments and Accessories

For 41240 Multi Pro WM Turf Sprayer

Product Name	Model/Part
Premium ATF (Drum).....	108-1185
Premium ATF (Pail)	108-1186
Premium All Purpose Grease (Tube)	108-1190
License Plate Kit.....	120-8506
Covered Boom Spring Upgrade Kit.....	120-8508
Premium Engine Oil 10w30 (55 Gallon Drum)	121-6392
Premium Engine Oil 10w30 (5 Gallon Pail)	121-6393
Fan Kit (EFI, Gas Engine Only).....	127-9719
Lance Suction Assembly	127-9826
Multi Pro WM Turf Sprayer Finishing Kit (Automatic).....	131-3301
Multi Pro WM Turf Sprayer Finishing Kit (Manual).....	131-3302
Ultra Sonic Boom Finishing Kit, 2013 and After Multi Pro WM Turf Sprayer	133-2808
Foam Marker Finishing Kit.....	136-0459
Rear Work Light Kit.....	41010
Single Nozzle Kit.....	41023
Hand Spray Wand Kit	41118
Pro Foam Concentrate (4 x 1 Gallon)	41157
EU Compliance Kit.....	41200
Jackstand Kit	41216
Ultra Sonic Boom Leveling Kit	41219
Tank Clean Rinse Kit	41241
Chemical Pre-Mix Kit	41244
Electric Hose Reel Kit	41245
Foam Marker Kit	41249
Drift Reduction Boom Shroud Kit	41602
Pro-Foam.....	41607



Count on it.