



Count on it.

Parts Catalog

**Maxi Sneaker™ 370 26in Tire
Hydra Borer Plow**

Model No. 25545T—Serial No. 324000000 and Up



Ordering Replacement Parts

To order replacement parts, please supply the part number, the quantity, and the description of each part desired.

Understanding Reference Numbers

Each identified part in an illustration has a reference number. The reference number for a part also appears in the parts list, along with other information about the part.

This catalog uses two special reference number formats, one to indicate parts in a service assembly and another to indicate the quantity of a given part in an illustration.

Service Assembly Reference Numbers

Parts in service assemblies have reference numbers in the form a:b. The a represents the reference number of the entire service assembly and the b represents a sequential number unique to each part within the service assembly.

For example, a wheel assembly might be identified by reference number 6, the tire by 6:1, the valve by 6:2, and the wheel by 6:3. When you order the assembly identified by reference number 6, you receive all parts identified by reference numbers 6:1, 6:2, and 6:3. However, you may also order any part individually. Reference numbers of this type appear in illustration and in parts lists.

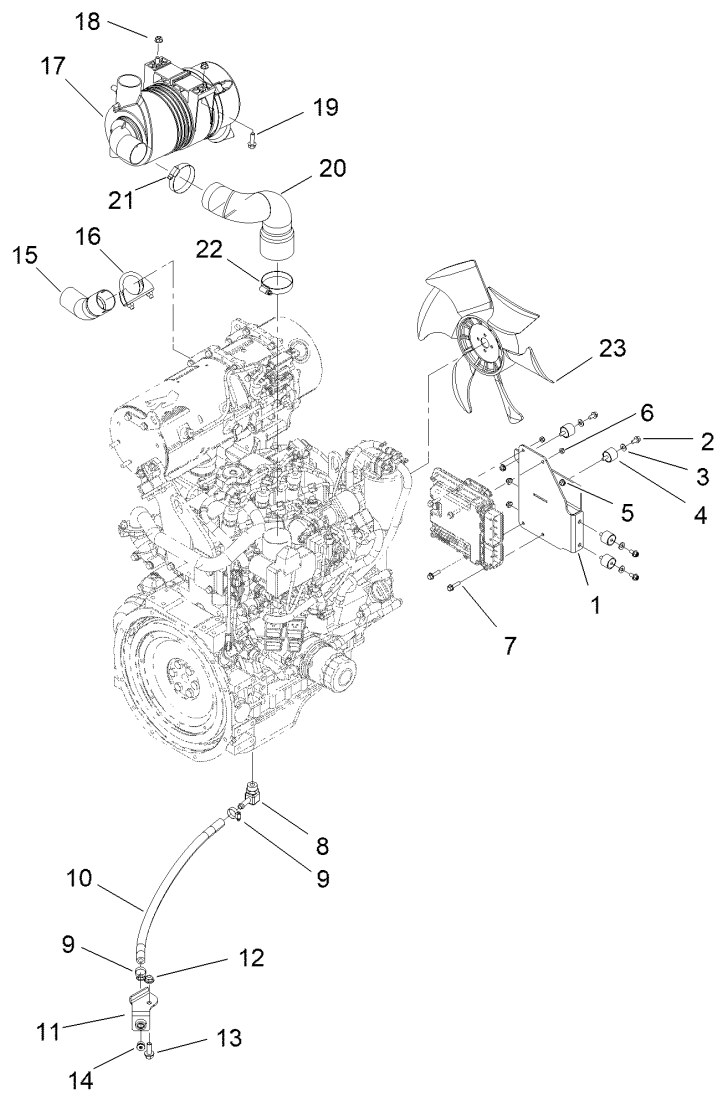
Reference Numbers Indicating Quantity

In an illustration, if a reference number indicates more than one part, the reference number has the form nX y. The n represents the quantity of the part, the X is the multiplication symbol, and the y represents the reference number.

For example, in an illustration, the reference number 2X 37 means that two of the parts identified by reference number 37 are indicated.

Contents

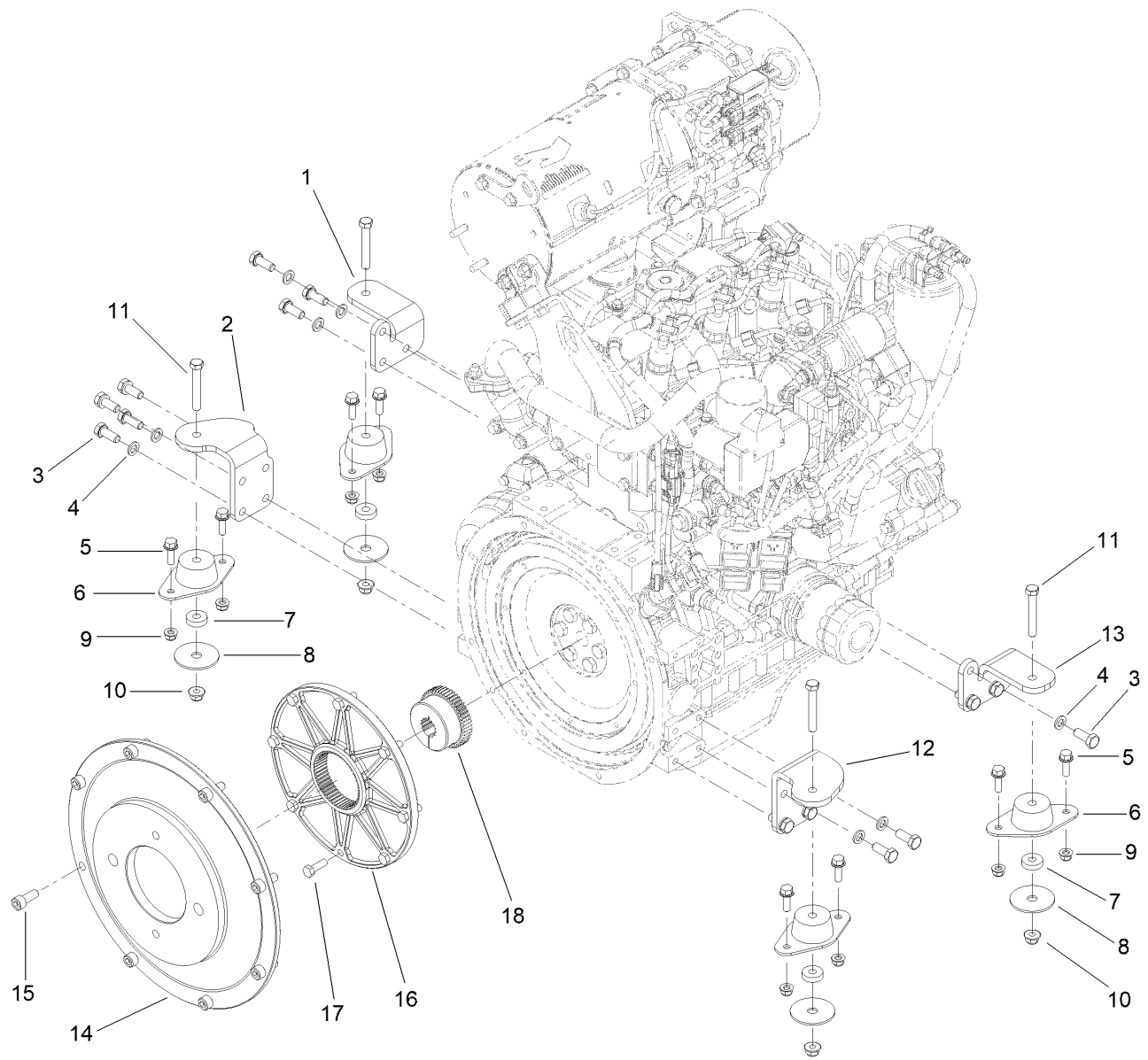
Engine Assembly	4
Engine Mount Assembly	5
Cooling System Assembly	6
Cooler Mounting Assembly	7
Fuel System Assembly	8
Fuel Tank Assembly No. AUH673305	9
Frame Assembly	10
Rear Axle Assembly	11
Dana 44 Assembly No. 147-5786	12
Transmission Assembly No. AU104951	13
Front Axle and Driveline Assembly	14
Drive Shaft Assembly No. AU111086A1	15
Vibratory Plow Plumbing Assembly	16
Control Valve Assembly No. 127-6591	17
Tank Plumbing Assembly	18
Hydraulic Variable Pump Assembly No. AU239918A1	20
Steering Valve Plumbing Assembly	22
Hydraulic Steering Valve Assembly No. AU407213A1	23
Motor Plumbing Assembly	24
Harness and Component Assembly	25
Battery and Cable Assembly	27
Grill Assembly	28
Hood Support Assembly	29
Hood Assembly	30
Center Console and Seat Support Assembly	31
Left Console Assembly	32
Right Console Assembly	33
Control Assembly	34
Park Brake Assembly	36
Seat, Base and ROPS Assembly	37
Plow Box Assembly	38
Plow Lift Assembly	39
Vibratory Box Assembly	40
Decal Assembly	42
Hydraulic Plow Configuration Assembly	44
Tools Assembly	46
Hydrabore Assembly	47
Hydraulic Motor Assembly No. AUH673156	48
26 Inch Tire Assembly	49
Fender Extension Assembly	50
Attachments and Accessories	51



Engine Assembly

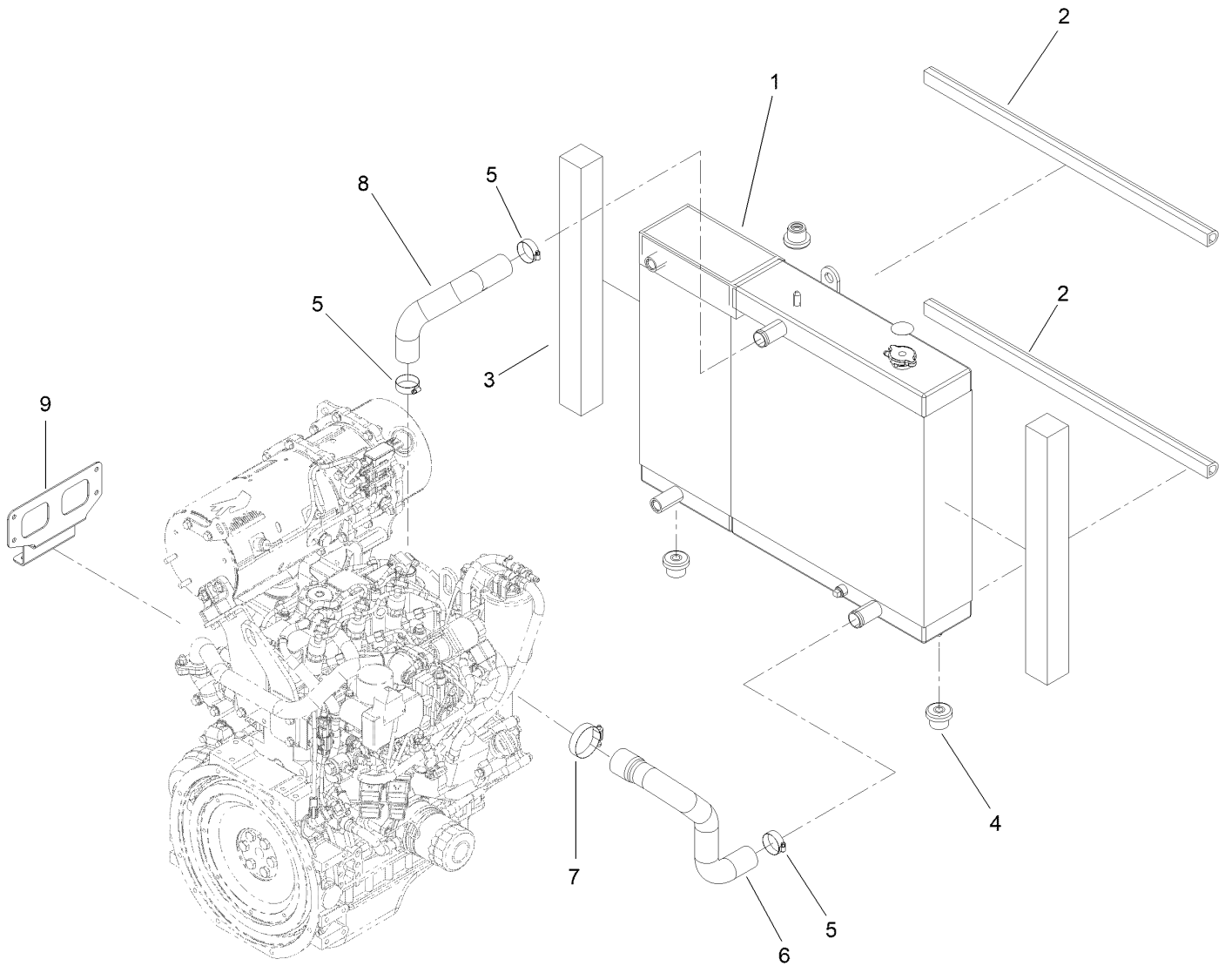
Ref.	Part Number	Qty.	Description	Ref.	Part Number	Qty.	Description
1	147-5390	1	Mounting Bracket	14:1	237-42	1	O-Ring ●
2	3234-13	4	Screw-HHF	15	130-4288	1	Tube-Exhaust
3	3256-22	4	Washer-Flat	16	2112-6	1	Clamp-Muffler
4	125-2674	4	Mount-Cylindrical	16:1	3218-2	2	Nut-Hex Jam ●
5	104-7201	4	Nut-HF, NI	17	147-5383	1	Air Filter (Donaldson W/ Port)
6	110-8451	2	Nut-Hex, NI	17:1	161-0674	1	Filter Element, Primary ●
7	33103-025	4	Screw-HHF	17:2	161-0675	1	Filter Element, Secondary ●
8	161-0677	1	Connector	18	104-8300	2	Nut-HF, NI
8:1	161-0678	1	O-Ring Fkm ●	19	3234-29	2	Screw-HHF
9	2412-36	2	Clamp-Hose	20	147-5394	1	Air Intake Hose
10	121-7488	1	Hose-HYD	21	2412-130	1	Clamp-Hose
11	147-5387	1	Oil Plug ASM	22	2412-42	1	Clamp-Hose
12	119-4042	1	Nut-HF, NI	23	147-5783	1	Fan - Yanmar 360MM Pusher
13	3234-42	1	Screw-HHF				
14	353-989	1	Plug-Hex, Hollow				

● Not illustrated



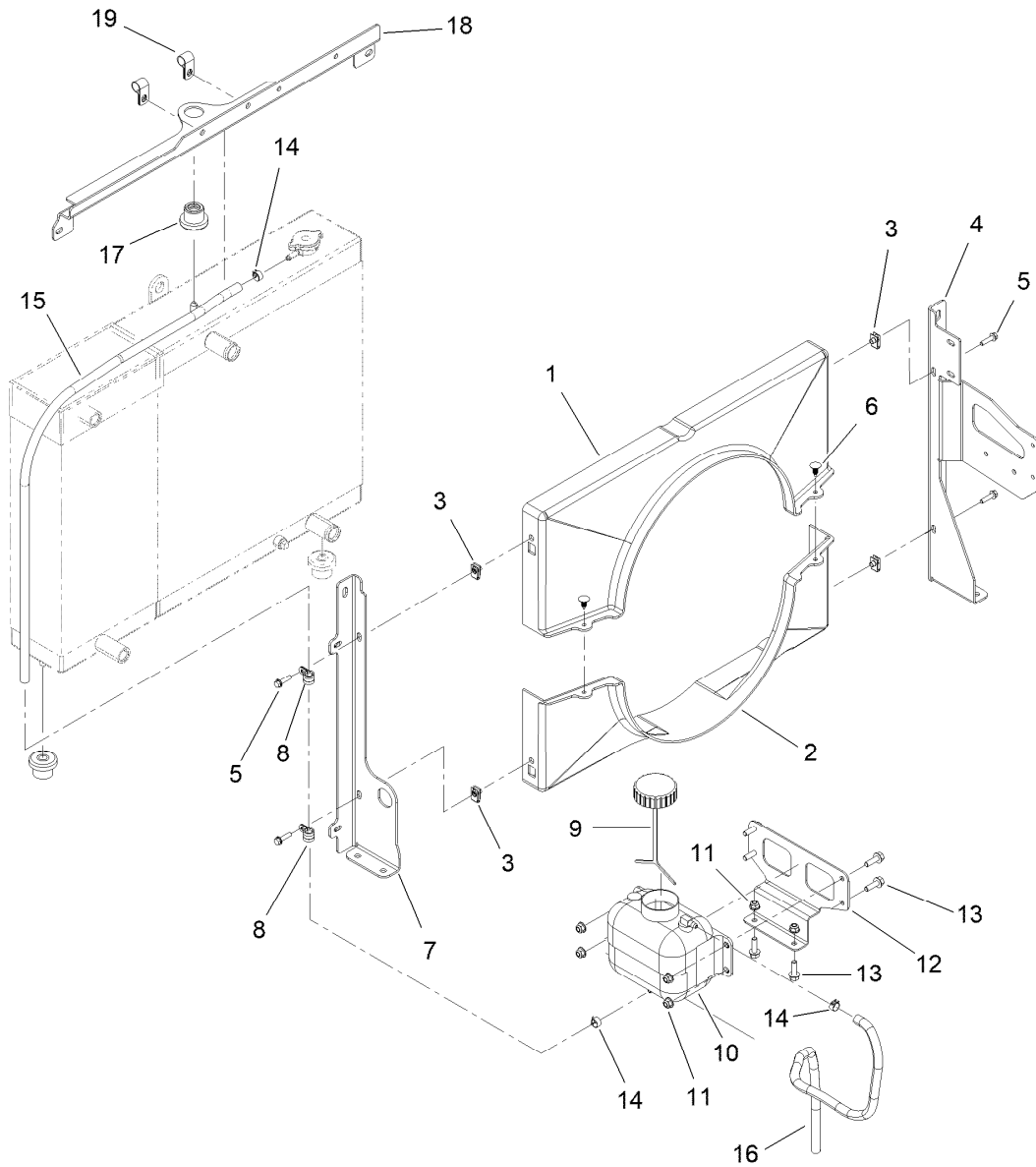
Engine Mount Assembly

Ref.	Part Number	Qty.	Description	Ref.	Part Number	Qty.	Description
1	147-5388	1	Engine Mount	10	104-8301	4	Nut-HF, NI
2	147-5385	1	Mount-Engine, LH Rear	11	323-12	4	Screw-HH
3	33115-025	14	Screw-HH	12	147-5386	1	Mount-Engine, RH Rear
4	48-9590	14	Washer-Lock	13	147-5389	1	Engine Mount
5	3234-29	8	Screw-HHF	14	147-5784	1	Plate - Mounting, Pump
6	120-6274	4	Mount-Engine	15	3273-41	8	Screw-HSH
7	62-6660	4	Spacer	16	127-6607	1	Flange-Flywheel
8	87-5100	4	Washer-Snubbing	17	33114-025	8	Screw-HH
9	104-8300	8	Nut-HF, NI	18	127-6606	1	Hub



Cooling System Assembly

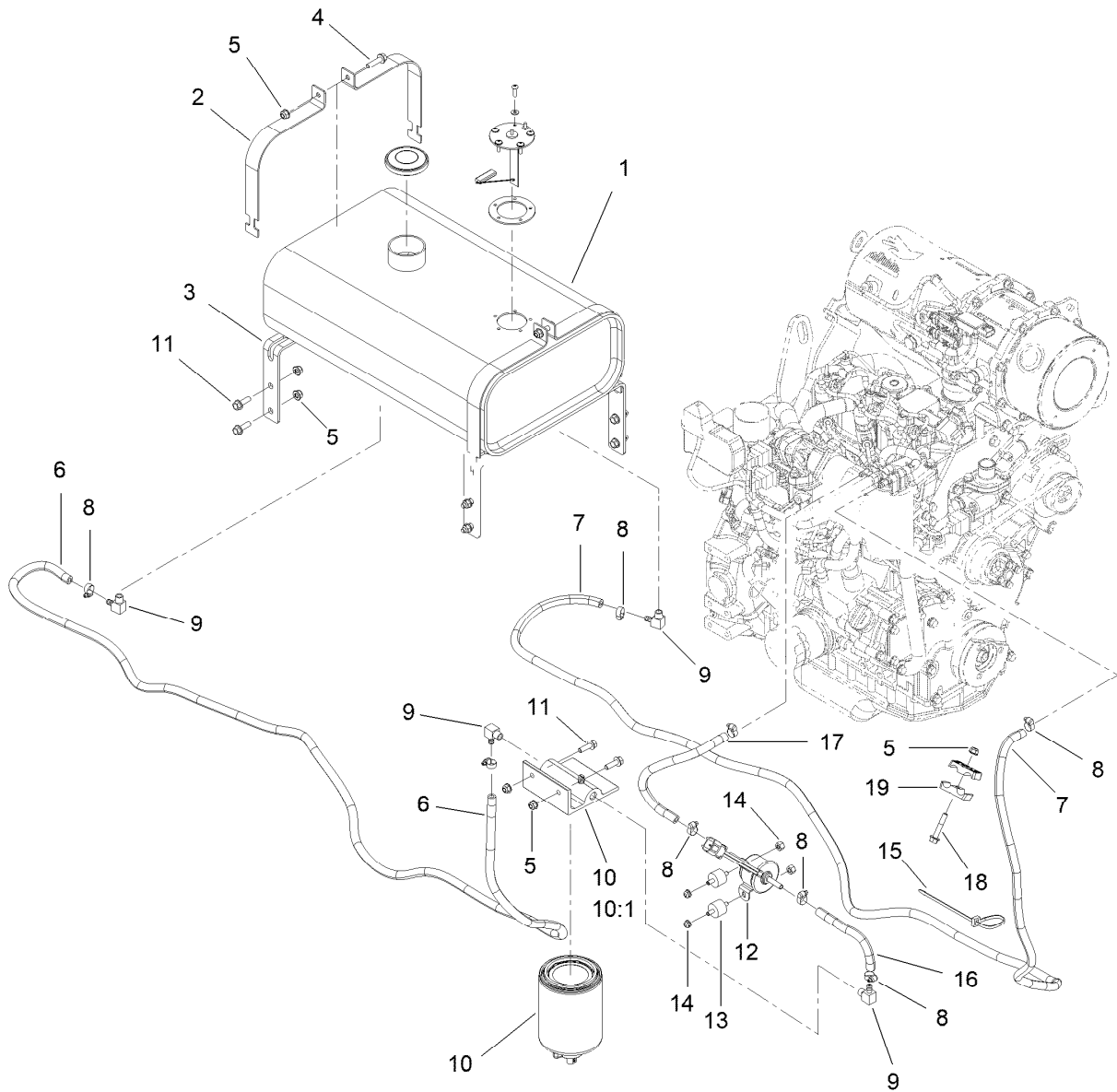
<i>Ref.</i>	<i>Part Number</i>	<i>Qty.</i>	<i>Description</i>
1	127-6581	1	Cooling ASM
2	147-5380	2	Rubber Seal
3	130-4335	2	Seal-Foam
4	119-1422	3	Mount-Isolator
5	2412-34	3	Clamp-Hose
6	161-0684	1	Hose-Radiator, Lower
7	2412-92	1	Clamp-Hose
8	121-3321	1	Hose-Radiator, Upper
9	147-5382	1	Res. Bracket



Cooler Mounting Assembly

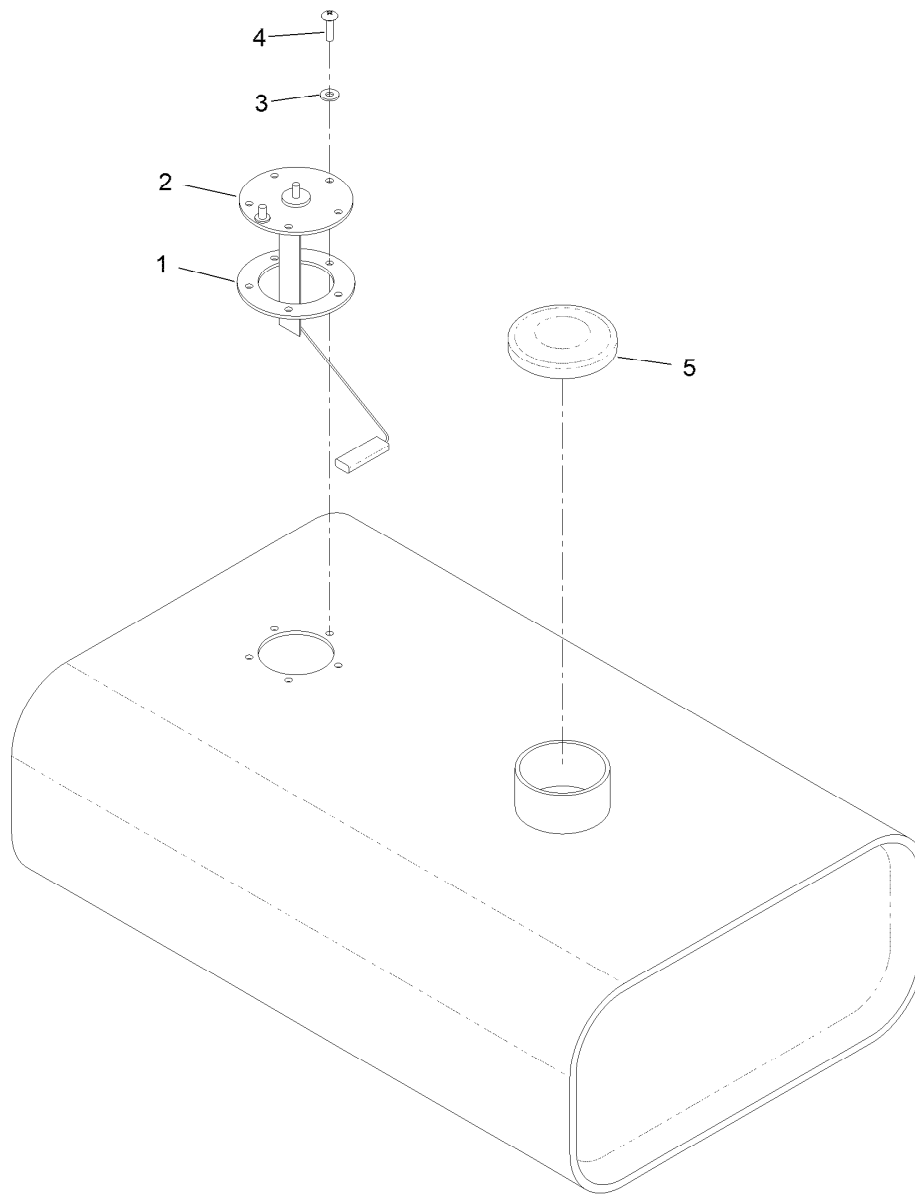
<i>Ref.</i>	<i>Part Number</i>	<i>Qty.</i>	<i>Description</i>
1	121-3312	1	Shroud-Top
2	121-3311	1	Shroud-Bottom
3	107069	4	Clip
4	161-0683	1	Bracket-Cooling, RH
5	120-4654	4	Screw-HHF
6	117-2382	2	Plug-Plastic
7	161-0682	1	Bracket-Cooling, LH
8	2412-134	2	Clamp-R
9	87-7050	1	Cap-Reservoir
10	AU138189A1	1	Tank-Recovery, Coolant

<i>Ref.</i>	<i>Part Number</i>	<i>Qty.</i>	<i>Description</i>
11	104-8300	6	Nut-HF, NI
12	147-5382	1	Res. Bracket
13	3234-29	6	Screw-HHF
14	92-2379	3	Clamp-Hose
15	110-3259	1	Hose-Fuel
16	110-6186	1	Hose-Fuel
17	119-1422	3	Mount-Isolator
18	147-5392	1	Bracket-Cooling, Top
19	2412-41	2	Clamp-R



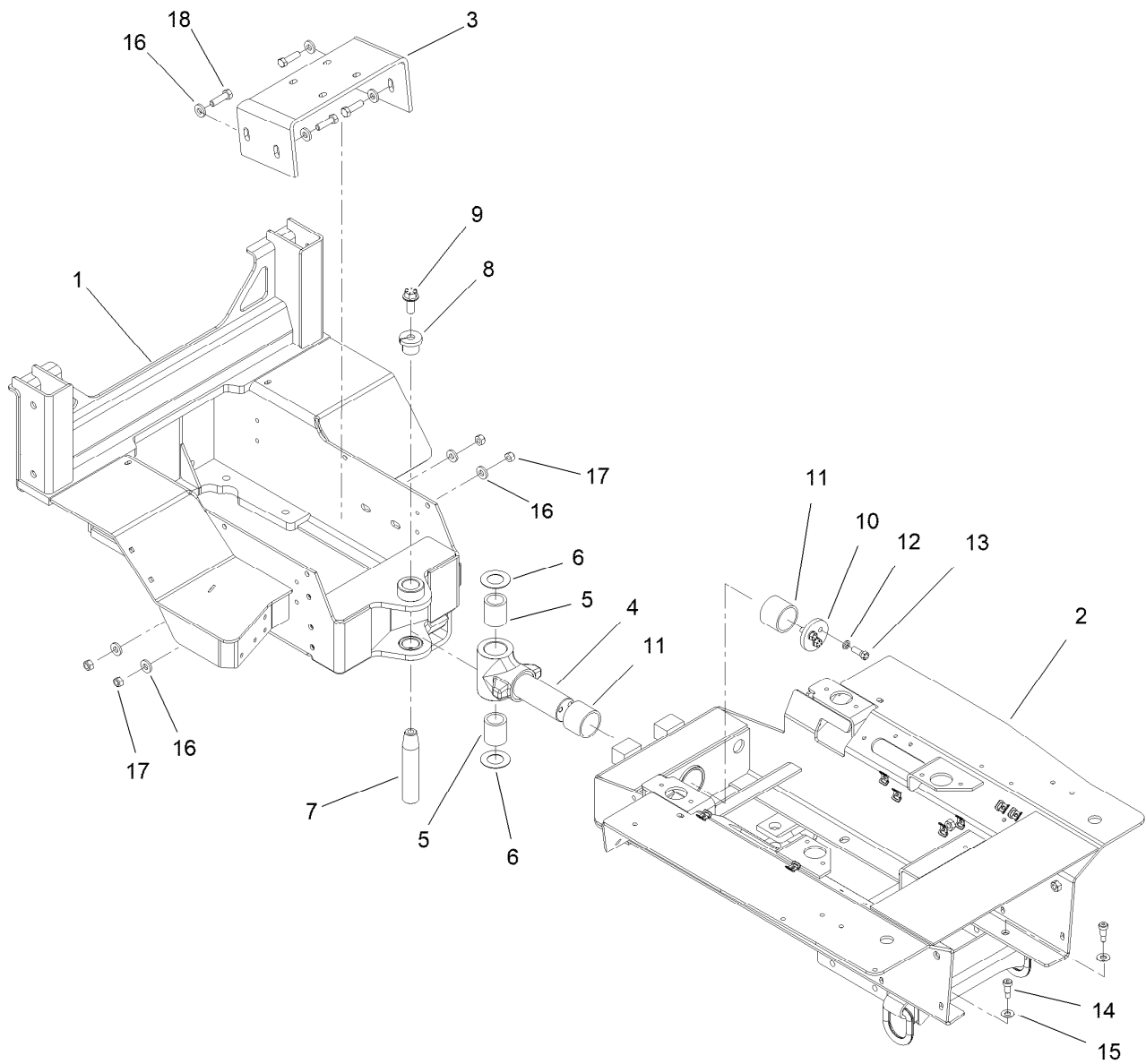
Fuel System Assembly

Ref.	Part Number	Qty.	Description	Ref.	Part Number	Qty.	Description
1	AUH673305	1	Tank-Fuel	10:1	125-2915	1	Filter-Fuel/Water Separator
2	AU105630	4	Strap-Fuel Tank	11	3234-17	8	Screw-HHF
3	147-5397	2	Bracket-Fuel Tank	12	121-5613	1	Pump-Fuel, Electric
4	3234-36	2	Screw-HHF	13	125-8511	2	Mount-Isolater
5	104-8300	11	Nut-HF, NI	14	104-7201	4	Nut-HF, NI
6	130-4330	1	Hose-Fuel	15	3290-378	1	Tie-Cable
7	130-4331	1	Hose-Fuel	16	117-4026	1	Hose-Fuel
8	2412-108	8	Clamp-Worm	17	130-4332	1	Hose-Fuel
9	147-5395	4	4/O Coupler (04N-04H90)	18	94-5780	1	Screw-HWH
10	125-2914	1	Filter-Separator	19	56-7971	2	Clamp-Tube



Fuel Tank Assembly No. AUH673305

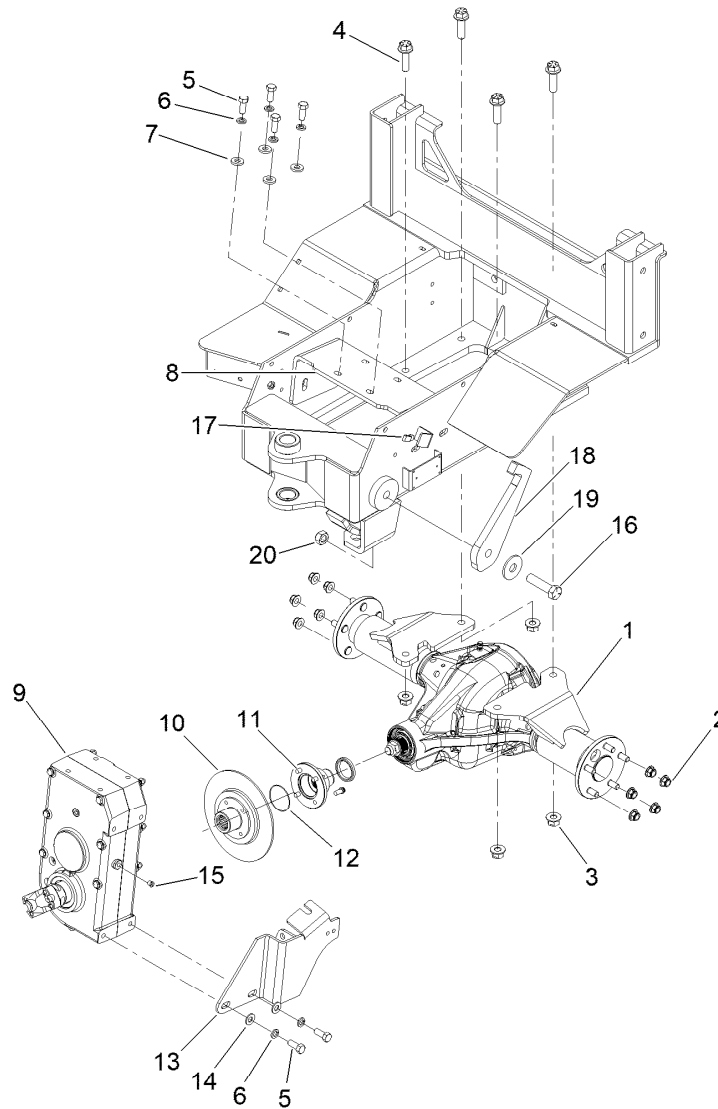
<i>Ref.</i>	<i>Part Number</i>	<i>Qty.</i>	<i>Description</i>
1	131-0684	1	Gasket-Fuel
2	131-0685	1	Fuel Sender
3	131-0686	5	Washer-Seal
4	1-803075	5	Screw-Head, Truss
5	AU105612	1	Cap-Fuel



Frame Assembly

Ref.	Part Number	Qty.	Description
1	147-5411	1	Rear Frame
2	147-5413	1	Frame-Front Welded
3	147-5412	1	Mount-Gearbox
4	147-5410	1	Pivot-Machining
5	147-5402	2	Bearing-Composite
6	147-5787	2	Washer - Machinery (1.375)
7	147-5407	1	Tapered Pin (1.375" X 7.000")
8	147-5408	1	Tapered Insert (1.375")
9	147-5399	1	Fig Bit (5/8-NC X 1-1/2", GR 8)

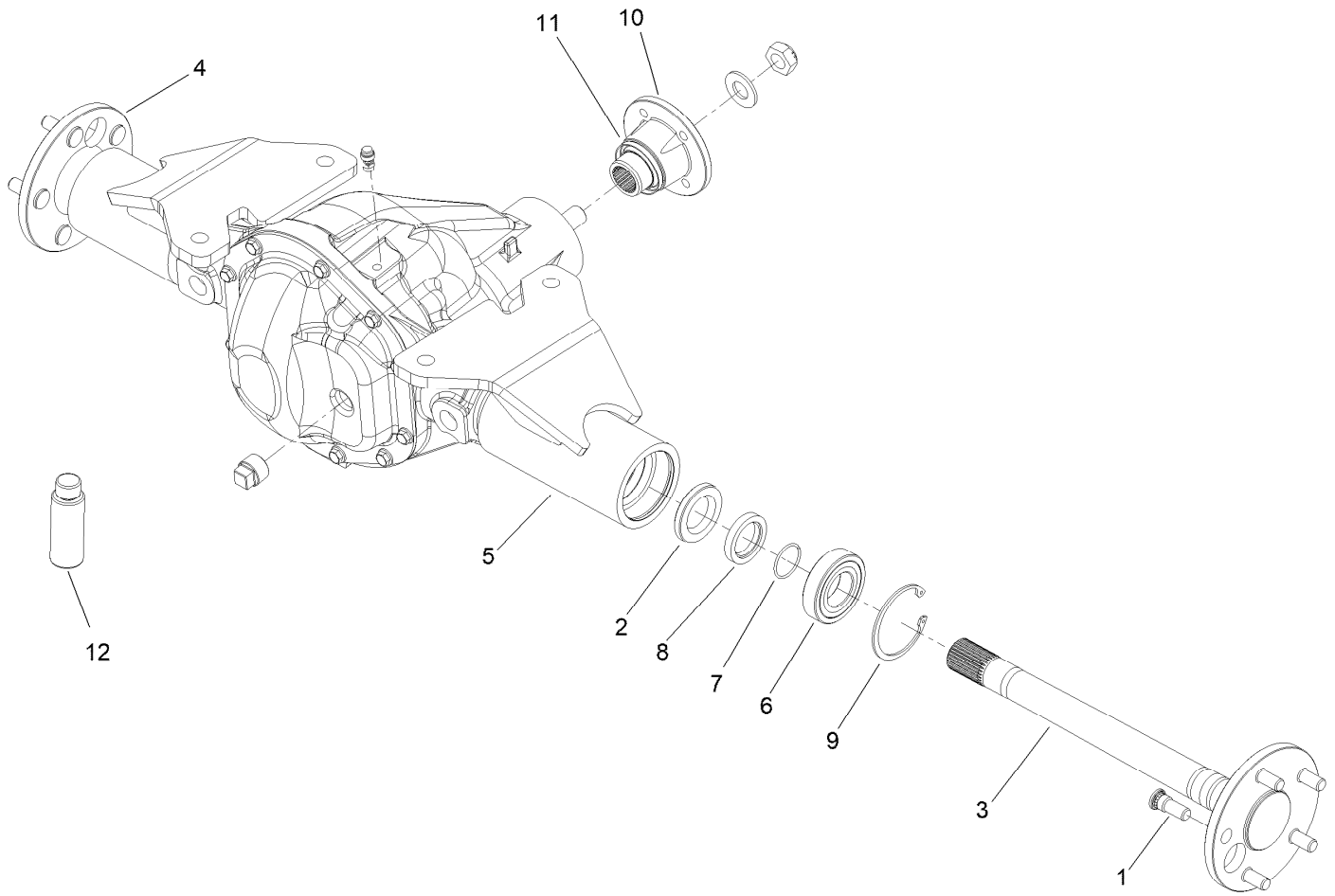
Ref.	Part Number	Qty.	Description
10	147-5414	1	Cap-Pivot
11	147-5788	2	Bearing - Composite
12	137-3071	3	Washer-Lock
13	3212-5	3	Screw-HH
14	147-5398	2	Shoulder Bolt
15	3256-26	2	Washer-Flat
16	107-3395	8	Washer-Hardened
17	97-1206	4	Locknut
18	325-7	4	Screw-HH



Rear Axle Assembly

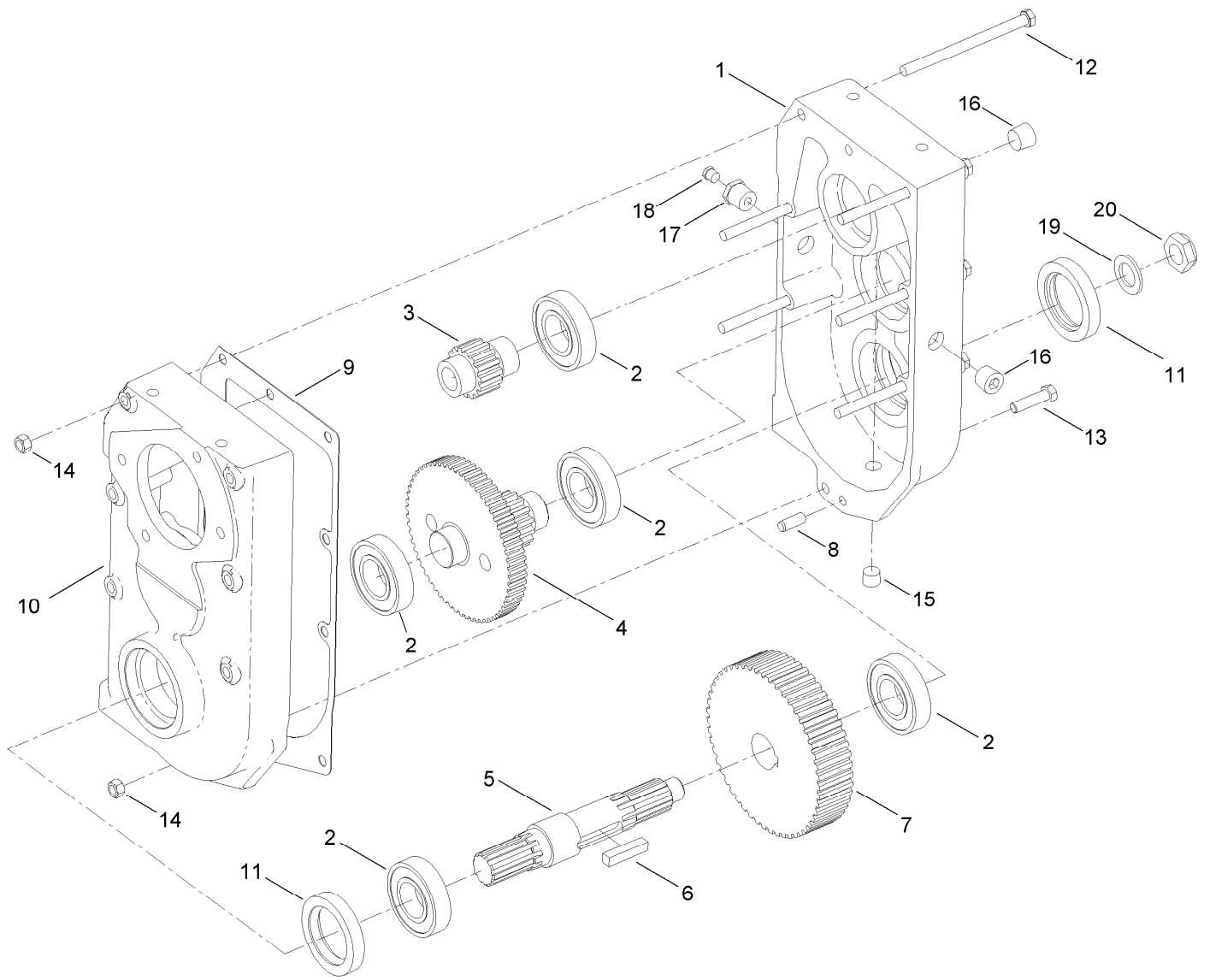
Ref.	Part Number	Qty.	Description	Ref.	Part Number	Qty.	Description
1	147-5786	1	Dana 44 Assembly	12	147-5404	1	O-Ring(-36), D70
2	131-0703	10	Nut-HHF	13	147-5415	1	Brake Mount
3	147-5401	4	Flg Locknut (5/8-NC, GR G)	14	3256-26	2	Washer-Flat
4	104-5870	4	Screw	15	AUR11152	1	Vent
5	325-5	6	Screw-HH	16	328-25	1	Screw-HH
6	3253-7	6	Washer-Lock	17	163-2406	1	Clip On Clamp
7	107-3395	4	Washer-Hardened	18	163-2405	1	Lever-Frame Lock
8	147-5412	1	Mount-Gearbox	19	3256-8	1	Washer-Flat
9	AU104951	1	Transmission ASM	20	3296-51	1	Nut-Lock, NI
10	147-5409	1	Flange-Companion	99	136-0234	1	Yoke-Transmission ●
11	AU79-1612	4	Screw-12 Pt Flange				

● Not illustrated



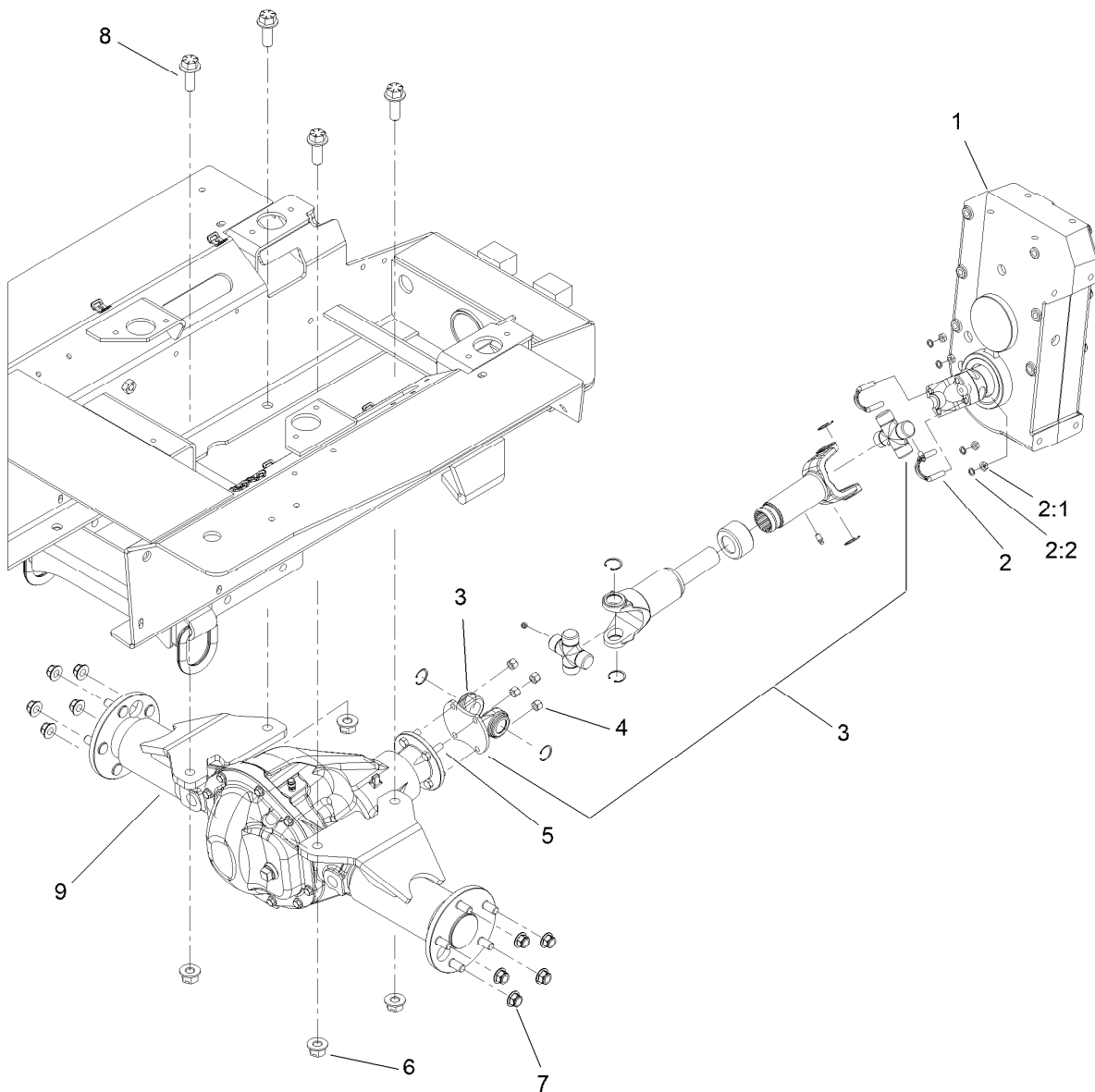
Dana 44 Assembly No. 147-5786

<i>Ref.</i>	<i>Part Number</i>	<i>Qty.</i>	<i>Description</i>
1	147-5416	10	Lug Bolt (1/2-Nf X 1-1/2")
2	147-5420	2	Internal Seal
3	147-5422	1	Axle Long - Dana 44
4	147-5421	1	Axle - Short Dana 44
5	147-5423	1	Differential - Dana 44
6	147-5419	2	Ball Bearing-Sealed (1.378")
7	147-5418	2	External Snap Ring (1.380")
8	147-5424	2	Axle Ring
9	147-5417	2	Internal Snap Ring
10	147-5425	1	Differential Flange
11	AUH196998	1	Slinger
12	147-5785	1	Friction Modifier (Dana-Spicer)



Transmission Assembly No. AU104951

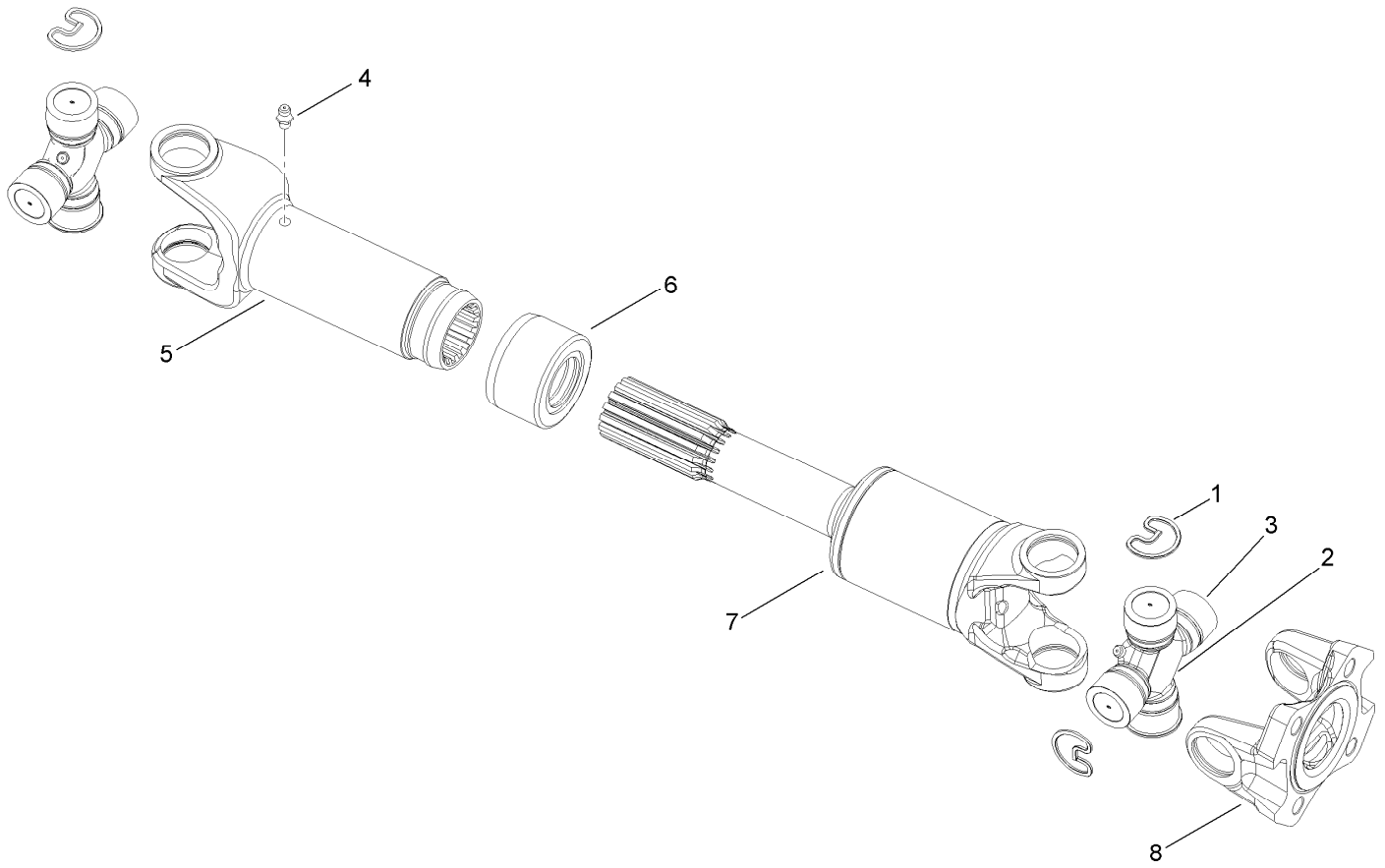
<i>Ref.</i>	<i>Part Number</i>	<i>Qty.</i>	<i>Description</i>	<i>Ref.</i>	<i>Part Number</i>	<i>Qty.</i>	<i>Description</i>
1	AU104545	1	Case-Gear	11	AUH754226	2	Seal-Oil
2	AUA26581	5	Bearing	12	AU426-688	6	Screw-HH
3	AUH253112	1	Gear-Motor, 18 Teeth	13	323-43	1	Screw-HH
4	AUH253153	1	Gear-Cluster, 59/15 Teeth	14	603773	7	Nut-Hex Lock
5	AUH253138	1	Shaft-Output	15	97-2206	1	Fitting-HYD
6	AUH70045	1	Key-Square	16	AU217-439	5	Plug-Pipe, Hex Socket
7	AUH253146	1	Gear-Reduction, 51 Teeth	17	AU221-87	1	Fitting-Straight
8	AUH755272	2	Pin-Dowel	18	AUR11152	1	Vent
9	AUH413153	1	Gasket	19	AUH224501	1	Washer
10	AU104546	1	Case-Gear	20	3296-60	1	Nut-Lock, NI



Front Axle and Driveline Assembly

Ref.	Part Number	Qty.	Description
1	AU104951	1	Transmission ASM
2	AUH183566	1	Bolt-U (2 Per Pack)
2:1	3219-2	2	Nut-Hex
2:2	3253-4	2	Washer-Lock
3	AU111086A1	1	Drive Shaft ASM
4	AU232-4616	4	Nut-Hex Lock
5	3211-5	3	Screw-HH
6	147-5401	4	Flg Locknut (5/8-NC, GR G)
7	131-0703	10	Nut-HHF
8	147-5400	4	Flg Bit (5/8-NC X 1-3/4", GR 8)
9	147-5786	1	Dana 44 Assembly
99	136-0234	1	Yoke-Transmission ●

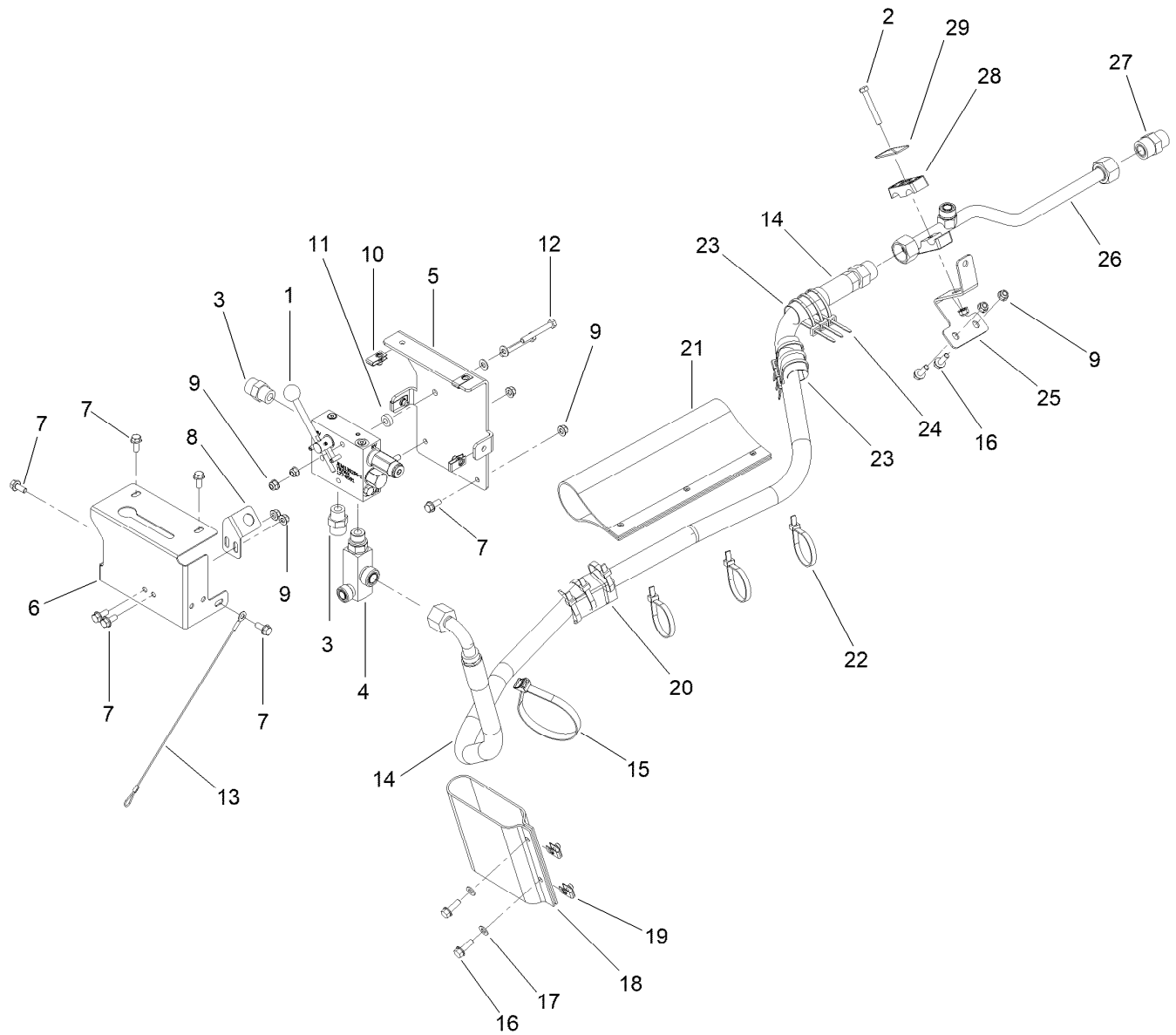
● Not illustrated



Drive Shaft Assembly No. AU111086A1

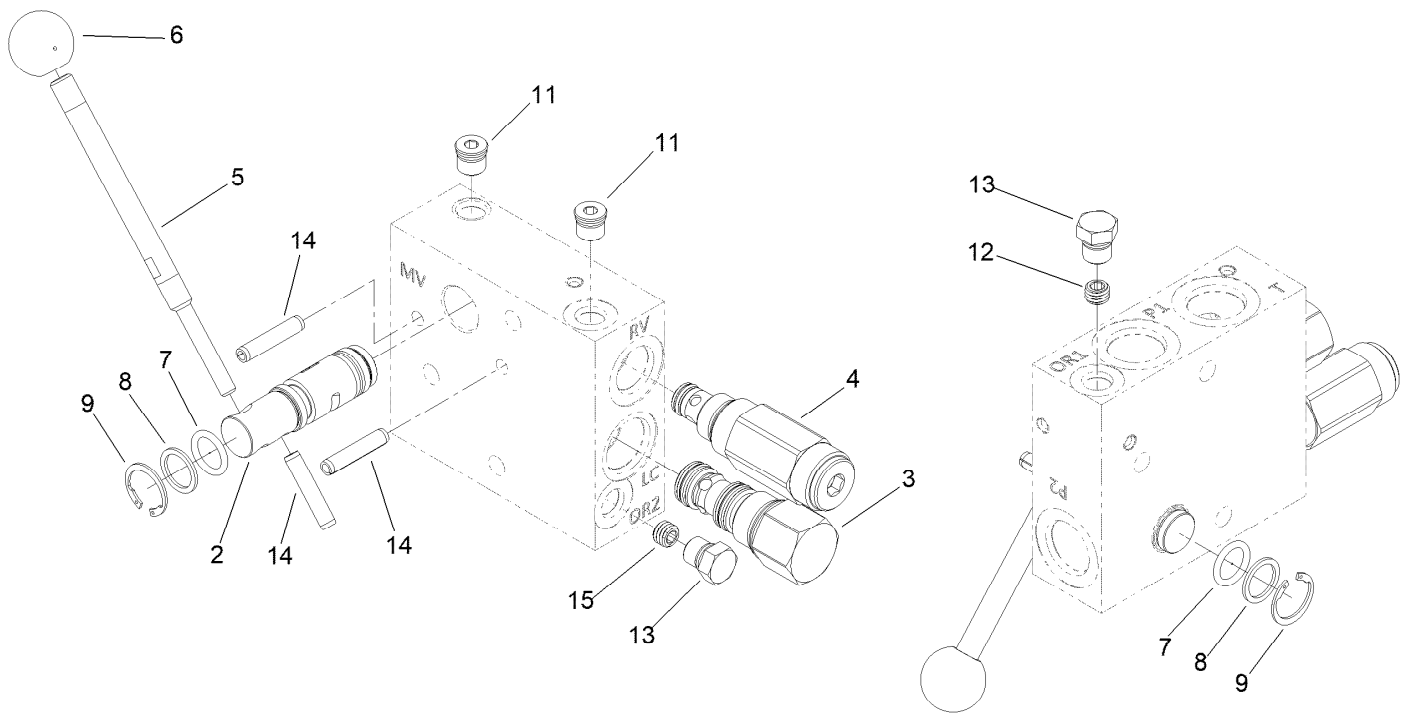
<i>Ref.</i>	<i>Part Number</i>	<i>Qty.</i>	<i>Description</i>
1	AU11256	6	Ring-Retaining
2		2	Journal ●
3		8	Cup-Bearing ●
4	AU219-10	1	Fitting-Lube
5	AU102834A1	1	Yoke
6	AU230556A1	1	Seal
7		1	Shaft ●
8	AUH251777	1	Flange

● Not serviced separately



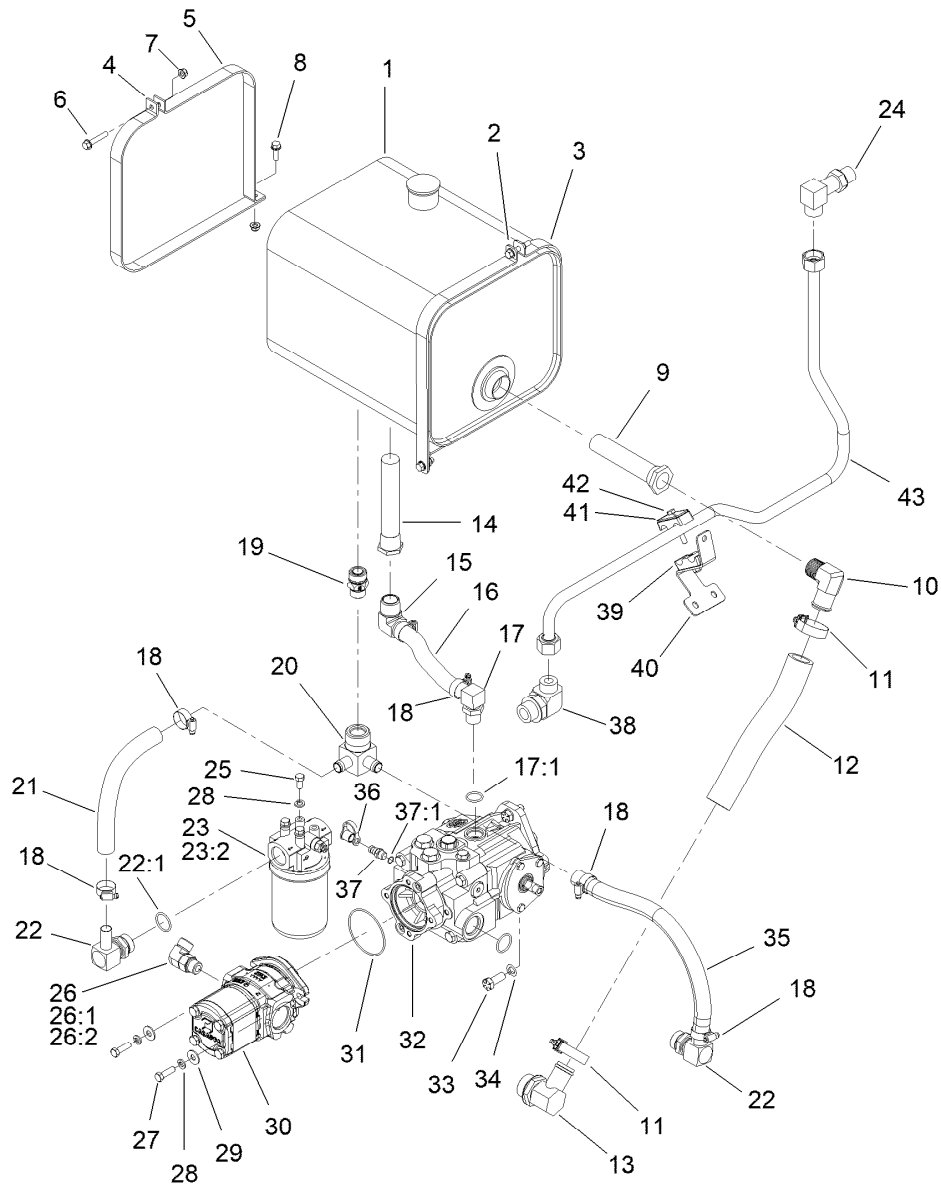
Vibratory Plow Plumbing Assembly

Ref.	Part Number	Qty.	Description	Ref.	Part Number	Qty.	Description
1	127-6591	1	Valve-Control, Vibe Plow	16	3234-29	6	Screw-HHF
2	322-11	1	Screw-HH	17	3256-23	4	Washer-Plain
3	147-5727	2	Connector (10S-100)	18	AU107409	1	Boot-Hose
4	147-5435	1	Connector (10S-100-120)	19	115-7721	2	Nut-Clip, U
5	147-5465	1	Mount Plate-Valve	20	AU112950	2	Protector-Hose
6	147-5463	1	Bracket-Cover	21	AU123989A1	1	Boot-Hose
7	3234-47	8	Screw-HHF	22	3334-945	9	Tie-Cable
8	147-5464	1	Plate-Sensor (Painted)	23	AU112950	2	Protector-Hose
9	104-8300	11	Nut-HF, NI	24	3290-378	6	Tie-Cable
10	AUH346650	4	Nut-U Type	25	147-5466	1	Bracket-Tube
11	104-1156	1	Spacer	26	147-5430	1	Hardline (-12 Return To Cooler)
12	120-2812	2	Screw-HH	27	147-5438	1	Connector (12S-120)
13	147-5426	1	Lanyard Loop/Eye 14"	28	94-8105	2	Clamp-Tube
14	147-5429	1	Hose (12Orsm-12Ofx90S-68"-3000)	29	69-9761	1	Plate-Cover
15	147-5467	1	Cable Tie (1/2") 20" Lg				



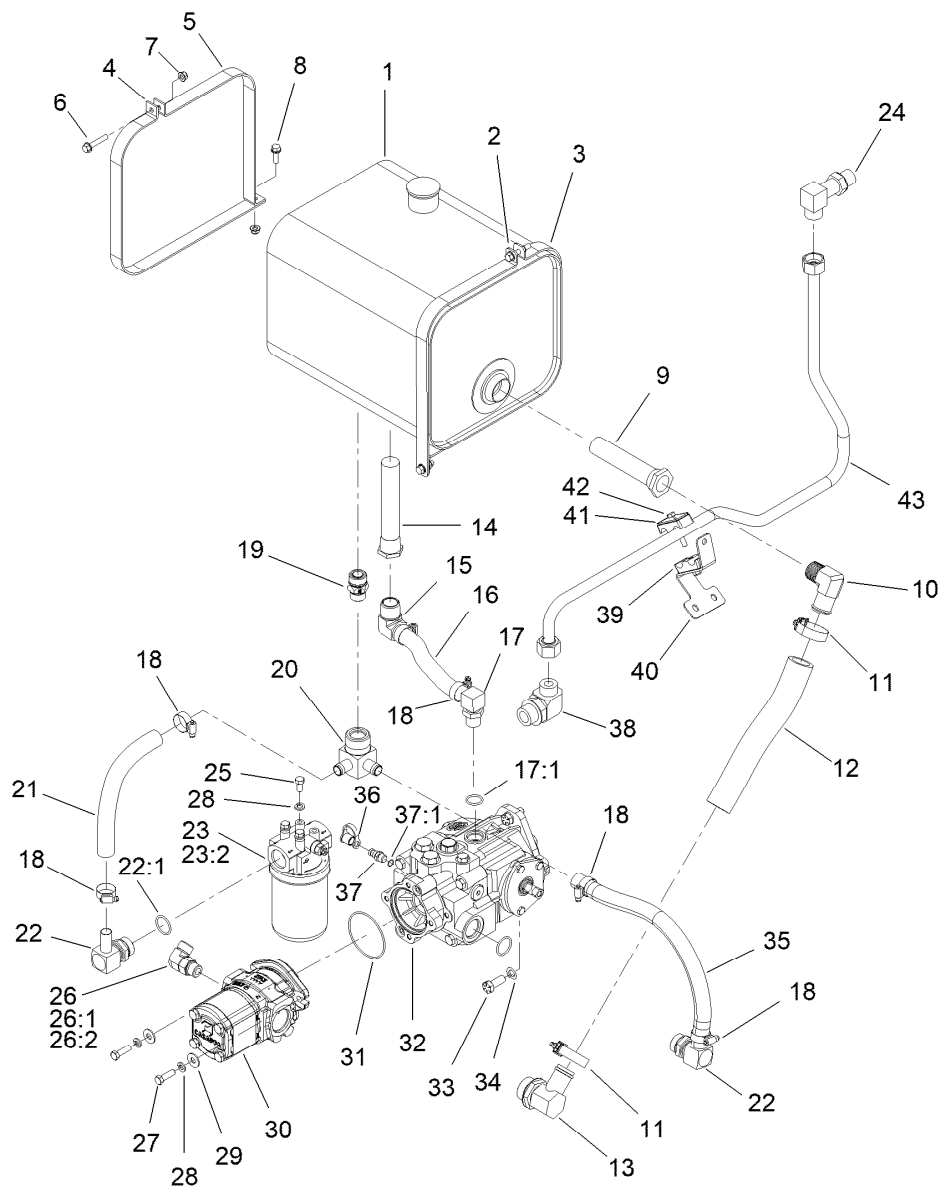
Control Valve Assembly No. 127-6591

Ref.	Part Number	Qty.	Description
2	132-8755	1	Spool-Rotary
3	132-8754	1	Spool-Logic
4	132-8753	1	Valve-Relief
5	132-8752	1	Handle-Spool
6	131-2700	1	Knob-Ball, Plastic
7	117-4606	2	O-Ring
8	112-6534	2	Ring-Back Up
9	112-6532	2	Ring-Retaining
11	112-9212	2	Plug
12	110-8883	1	Plug-Orifice (0.040)
13	117-0115	2	Plug
14	112-6531	3	Pin-Spring
15	132-8751	1	Plug-Orifice(0.015)



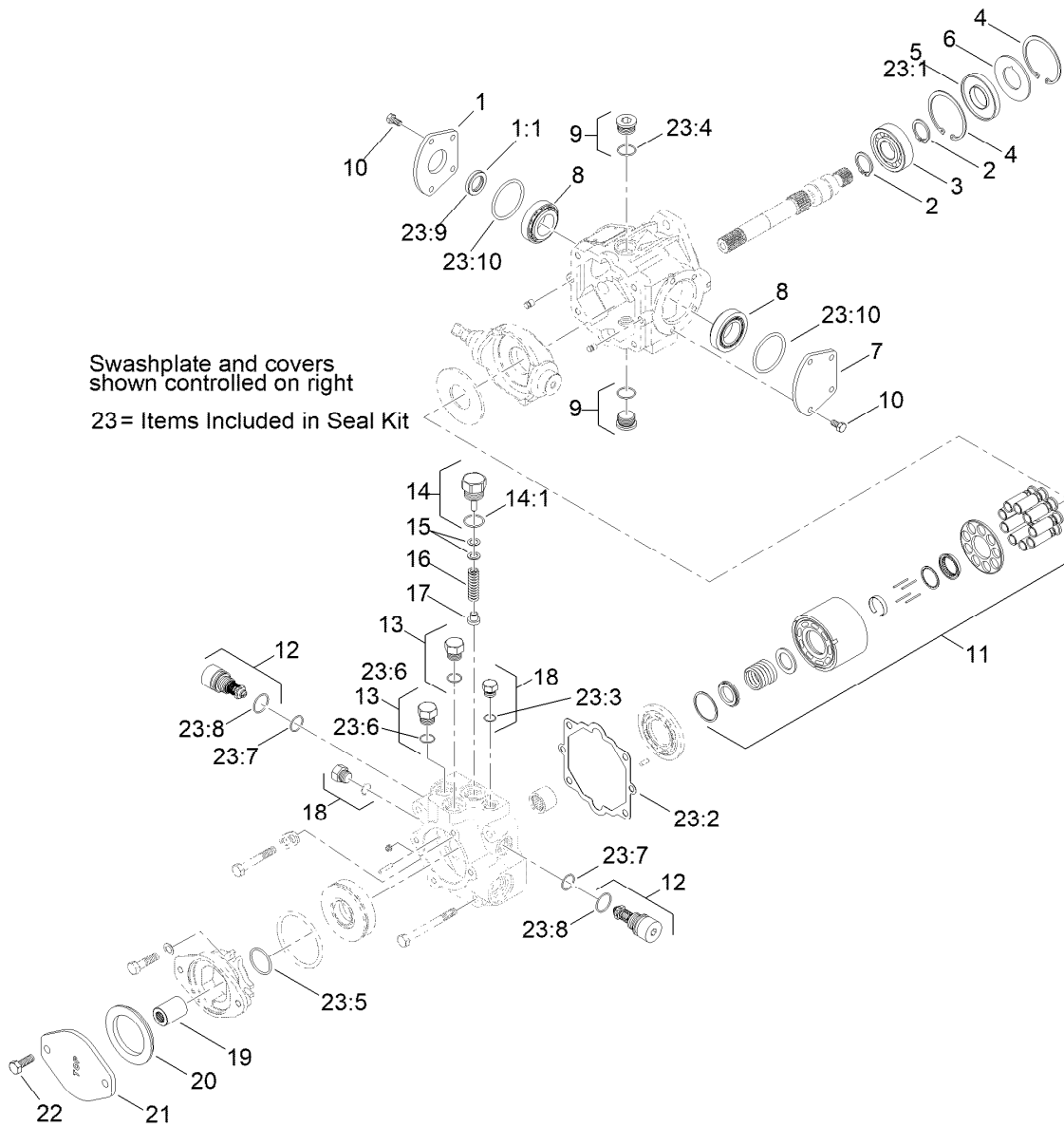
Tank Plumbing Assembly

Ref.	Part Number	Qty.	Description	Ref.	Part Number	Qty.	Description
1	AU111566A1	1	Reservoir-Hydraulic	20	147-5452	1	S/O Coupler
2	130-4316	1	Strap-Tank	21	147-5456	1	Hose Return
3	147-5462	1	Strap-Tank, Hydraulic	22	98-0971	2	Fitting-Elbow, 90
4	AUH435847	1	Strap-Tank	22:1	237-117	1	O-Ring
5	AUH435811	1	Strap-Tank	23	127-8423	1	HYD Filter ASM
6	94-5780	2	Screw-HWH	23:2	110-4146	1	Filter-HYD
7	104-8300	5	Nut-HF, NI	24	147-5434	1	Connector (12S-12O90, XI)
8	3234-29	2	Screw-HHF	25	323-4	3	Screw-HH
9	AUH584631	1	Filter ASM	26	340-17	1	Fitting-Elbow, 90 DEG
10	AU217-166	1	Fitting-Elbow, 90	26:1	237-65	1	O-Ring
11	2412-75	2	Clamp	26:2	237-80	1	O-Ring
12	147-5455	1	Hose Suction	27	323-7	2	Screw-HH
13	147-5459	1	S/O Coupler (20S-20H90)	28	3253-21	5	Washer-Lock
14	AUH151399	1	Filter ASM	29	147-5447	2	Washer
15	130-4319	1	Fitting-Elbow, 90	30	147-5454	1	Pump Tandem (1.29/.44 Cir)
16	147-5457	1	Hose LP	31	147-5460	1	O-Ring (152 D70)
17	353-987	1	Fitting-Elbow, 90	32	AU239918A1	1	HYD Variable Pump ASM
17:1	237-81	1	O-Ring	33	3234-38	2	Screw-HHF
18	2412-129	6	Clamp-Hose	34	3253-7	2	Washer-Lock
19	147-5453	1	Flow Check Valve (-12S-120, 5 PSI)	35	147-5458	1	Hose-Return 3/4
				36	354-79	1	Cap-Dust



Tank Plumbing Assembly (continued)

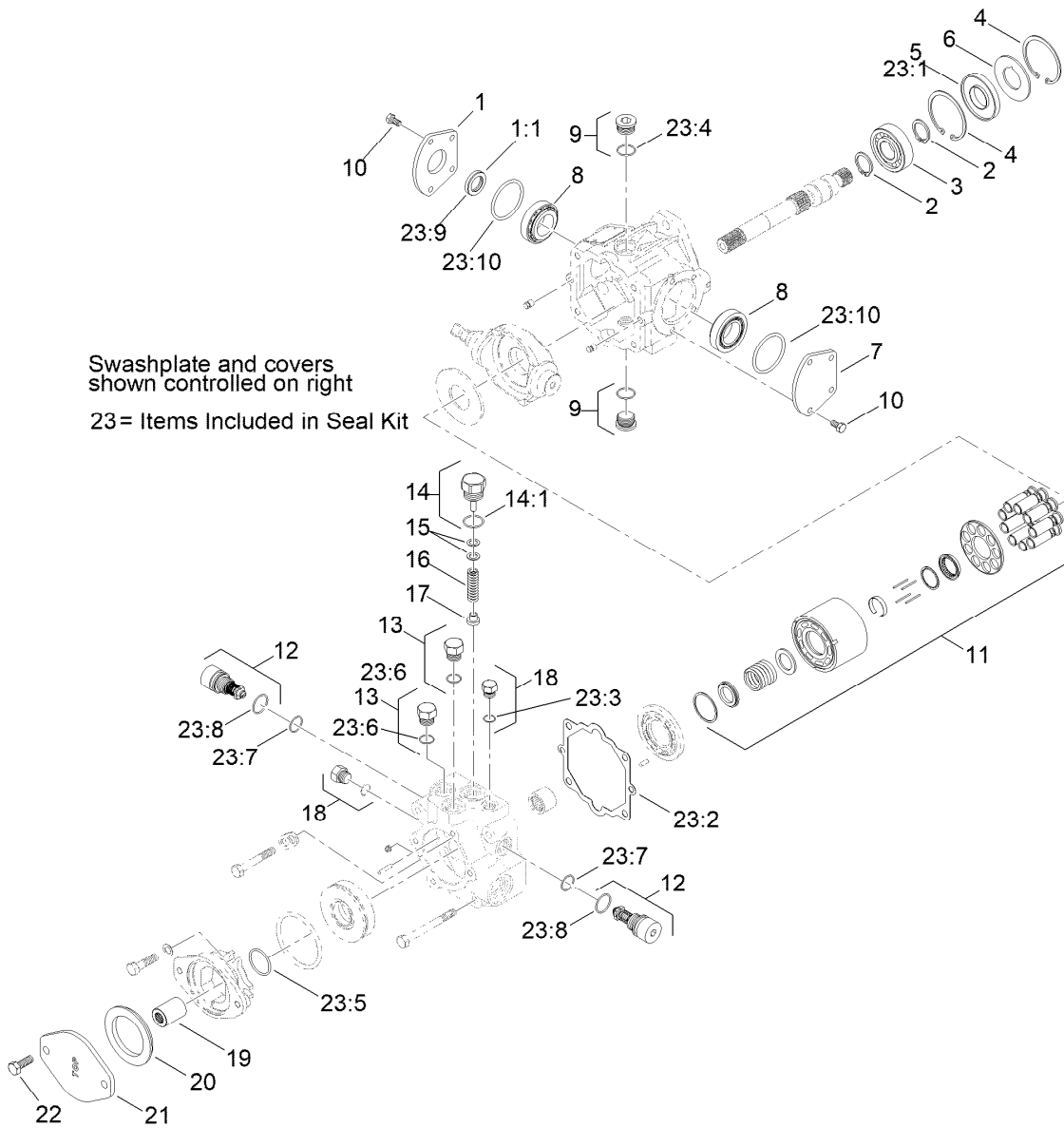
<i>Ref.</i>	<i>Part Number</i>	<i>Qty.</i>	<i>Description</i>	<i>Ref.</i>	<i>Part Number</i>	<i>Qty.</i>	<i>Description</i>
37	59-7410	1	Fitting-Diagnostic	41	69-9761	1	Plate-Cover
37:1	237-42	1	O-Ring	42	322-11	1	Screw-HH
38	147-5441	1	Connector (12O-16S90)	43	147-5431	1	Hardline (-12 Cooler To Filter)
39	94-8105	2	Clamp-Tube				
40	147-5466	1	Bracket-Tube				



Hydraulic Variable Pump Assembly No. AU239918A1

Ref.	Part Number	Qty.	Description	Ref.	Part Number	Qty.	Description
1	110-6499	1	Trunnion Cover ASM	15	92-1353	1	Shim Kit
1:1	110-6478	1	Seal-Lip	16	110-6474	1	Spring
2	69-3170	2	Ring-Retaining	17	84-0480	1	Poppet-Relief, Charge
3	75-0460	1	Bearing-Ball	18	94-9415	2	Plug ASM
4	69-3200	2	Ring-Retaining	19	127-6226	1	Coupling
5	110-6471	1	Seal-Lip	20	107-4377	1	Seal-A, Pad
6	95-4400	1	Washer-Backup	21	107-4378	1	Cover
7	84-0440	1	Cover-Trunnion	22	69-3400	2	Screw
8	110-6483	2	Bearing Kit	23	910643	1	Seal Kit
9	69-3130	2	Plug	23:1		1	Seal-Lip ●
10	112-0151	8	Screw	23:2		1	Gasket-End Cap ●
11	127-6247	1	Cylinder Block Kit	23:3		2	O-Ring ●
12	127-6228	2	Valve-Solenoid, Check	23:4		2	O-Ring ●
13	88-8210	2	Plug	23:5		1	O-Ring ●
14	110-6486	1	Plug-Relief, Charge	23:6		2	O-Ring ●
14:1	28-3570	1	O-Ring	23:7		1	O-Ring ●

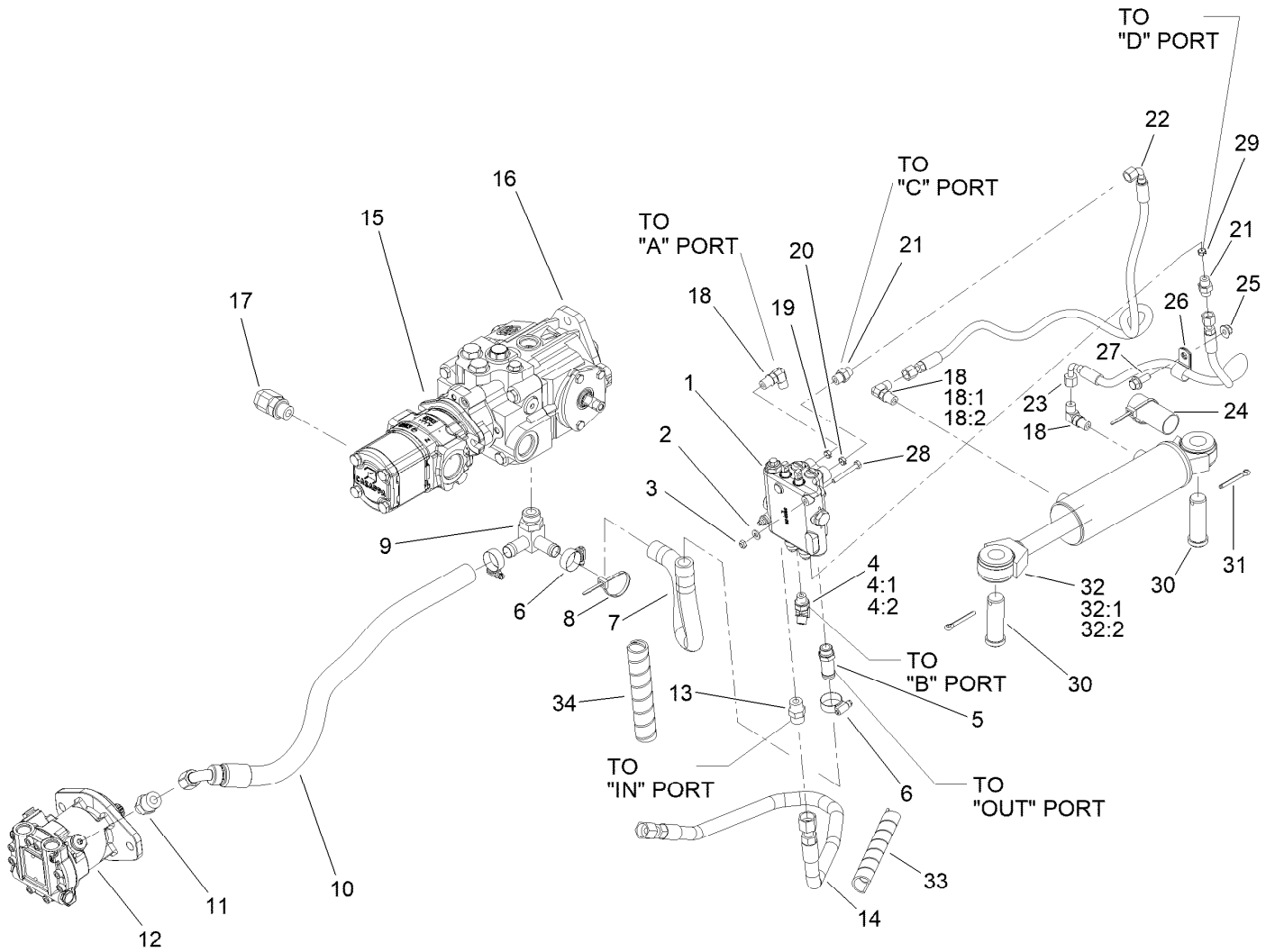
● Not serviced separately



Hydraulic Variable Pump Assembly No. AU239918A1 (continued)

<i>Ref.</i>	<i>Part Number</i>	<i>Qty.</i>	<i>Description</i>	<i>Ref.</i>	<i>Part Number</i>	<i>Qty.</i>	<i>Description</i>
23:8		1	R-Ring ●	23:9		1	Seal-Lip ●
				23:10		2	O-Ring ●

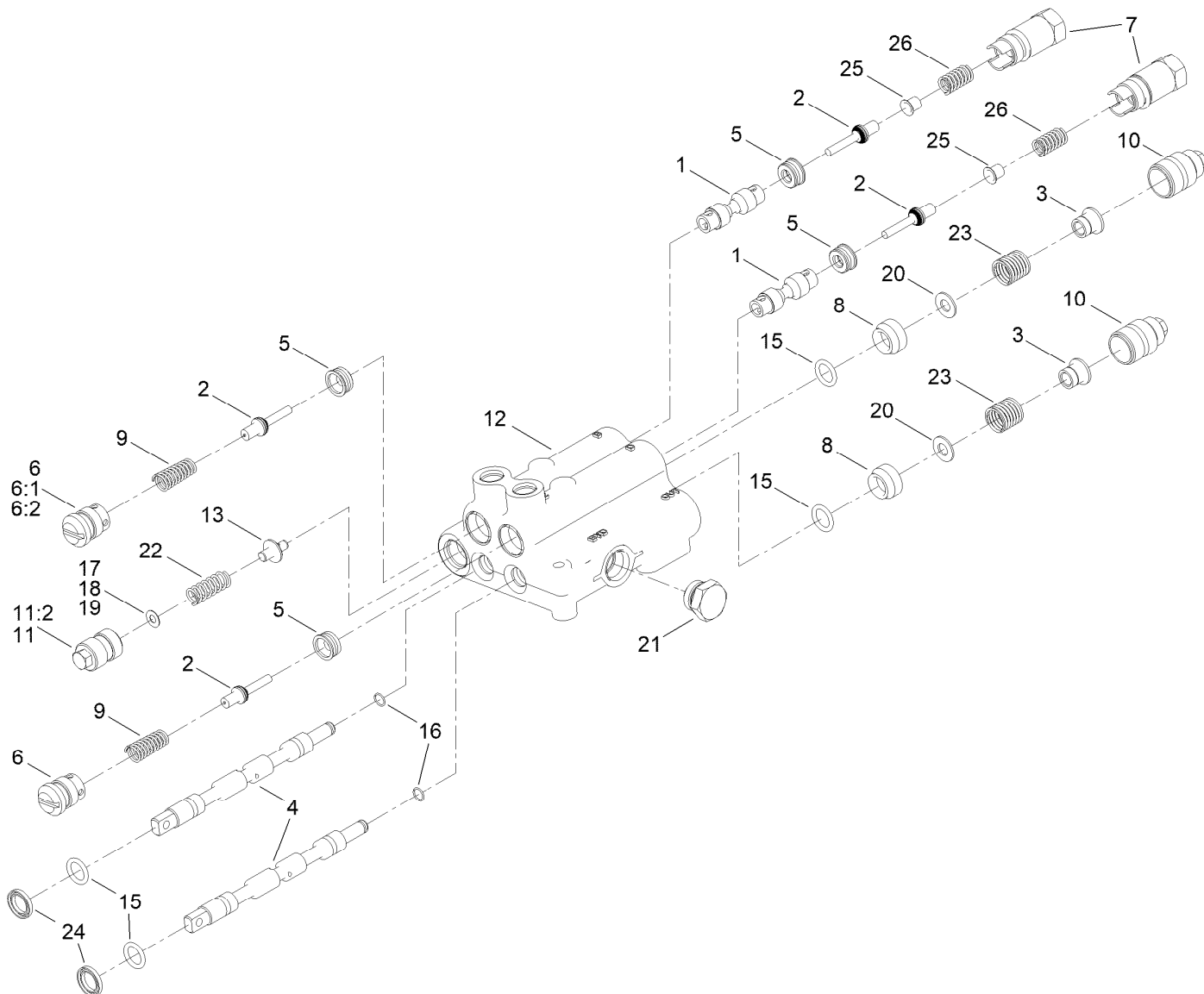
● Not serviced separately



Steering Valve Plumbing Assembly

Ref.	Part Number	Qty.	Description
1	AU407213A1	1	HYD Steering Valve ASM
2	AUH426767	2	Washer-Flat
3	146375	2	Nut-Lock, Cone
4	95-4136	1	Fitting-HYD, 45 Degree
4:1	237-42	1	O-Ring
4:2	237-21	1	O-Ring
5	147-5449	1	S/O Coupler
6	2412-129	3	Clamp-Hose
7	147-5458	1	Hose-Return 3/4
8	3290-378	2	Tie-Cable
9	AUH339762	1	Tee
10	147-5428	1	Hose (10Fforx, -12Hose - 29"-E-Z-Form)
11	147-5443	1	Connector (08S-100)
12	147-5451	1	Hydraulic Motor (Mp1 24Cc)
13	147-5437	1	Connector (08S-08O)
14	147-5432	1	Hose (08Ofx-28.5"-3000)
15	147-5454	1	Pump Tandem (1.29/.44 Cir)
16	AU239918A1	1	HYD Variable Pump ASM
17	147-5442	1	Connector (08O-10S90)
18	340-82	3	Fitting-Elbow, 90 DEG

Ref.	Part Number	Qty.	Description
18:1	237-42	1	O-Ring
18:2	237-21	1	O-Ring
19	AUH757815	1	Orifice
20	AUH746875	1	Plate-Orifice
21	147-5725	2	Connector (04O-06S)
22	147-5444	1	Hose (04Ofx90S-40"-3000)
23	147-5433	1	Hose (04Ofx90M-29"-3000)
24	147-5427	1	Abrasion Sleeve (1.25" X 25")
25	104-8301	1	Nut-HF, NI
26	2412-81	1	Clamp-R
27	3234-42	1	Screw-HHF
28	321-11	2	Screw-HH
29	AUH433173	1	Plate-Orifice
30	AUH67272	2	Pin-Clevis
31	3273-33	2	3/8-24 X 1/2 Allen Sc
32	AU125471	1	HYD Cylinder ASM
32:1	131-0169	1	Gland Seal Kit
32:2	AU124048	1	Piston Seal Kit
33	163-2408	1	Wrap-Spiral [3/4
34	163-2409	1	Wrap-Spiral [1

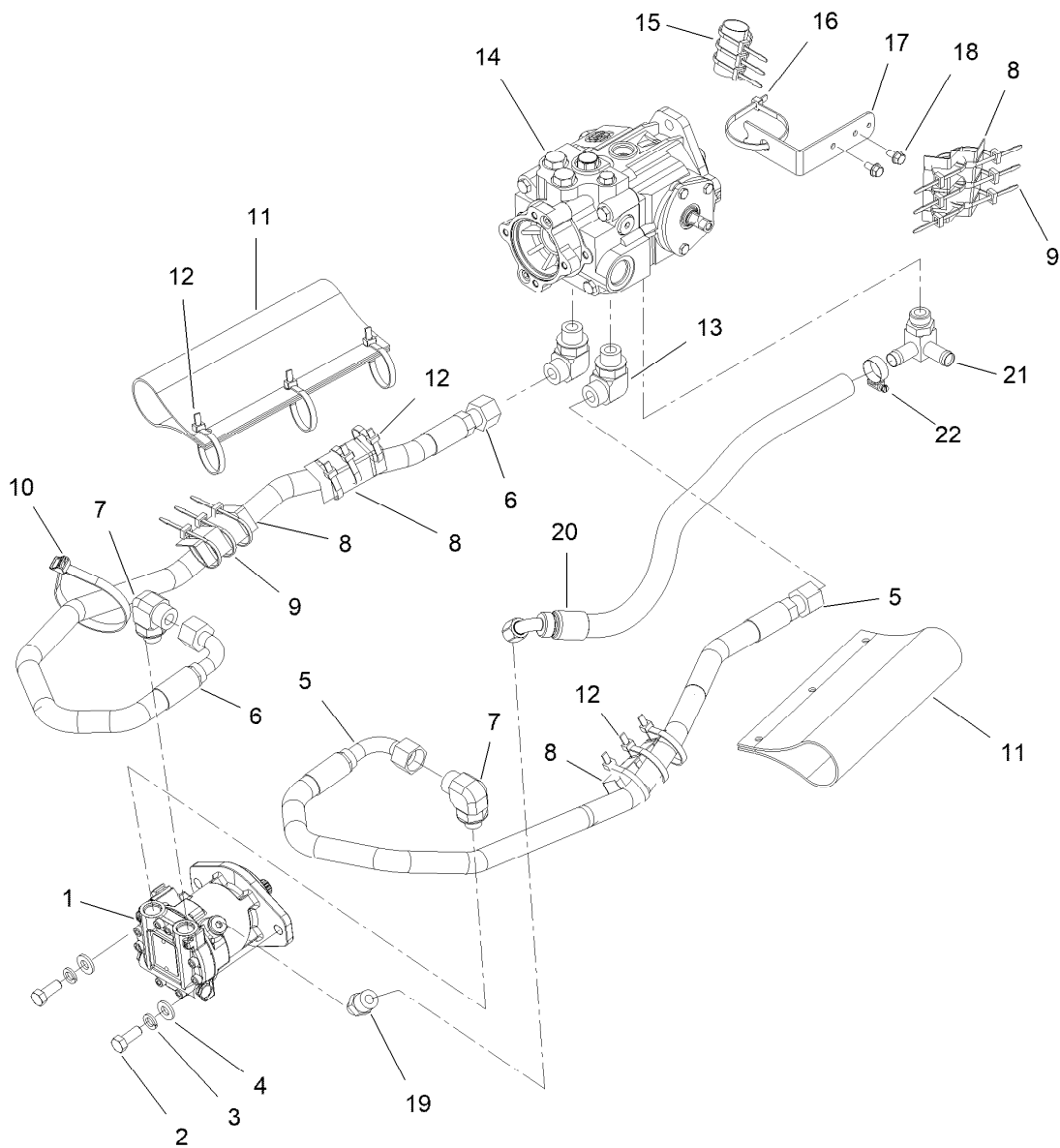


Hydraulic Steering Valve Assembly No. AU407213A1

Ref.	Part Number	Qty.	Description
1	127-6238	2	Plunger
2	58-6290	4	Poppet
3	127-6237	2	Spacer
4	106-6750	2	Spool
5	117-9228	4	Seat-Hardened
6	99-3526	2	Plug ASM
6:1	60-5720	1	O-Ring
6:2	59-7730	1	Washer-Backup
7	58-6380	2	Plug
8	58-6400	2	Bushing
9	AUH364182	2	Lock-Spring
10	58-6420	2	Cap
11	69-1830	1	Plug ASM
11:2	58-6750	1	O-Ring

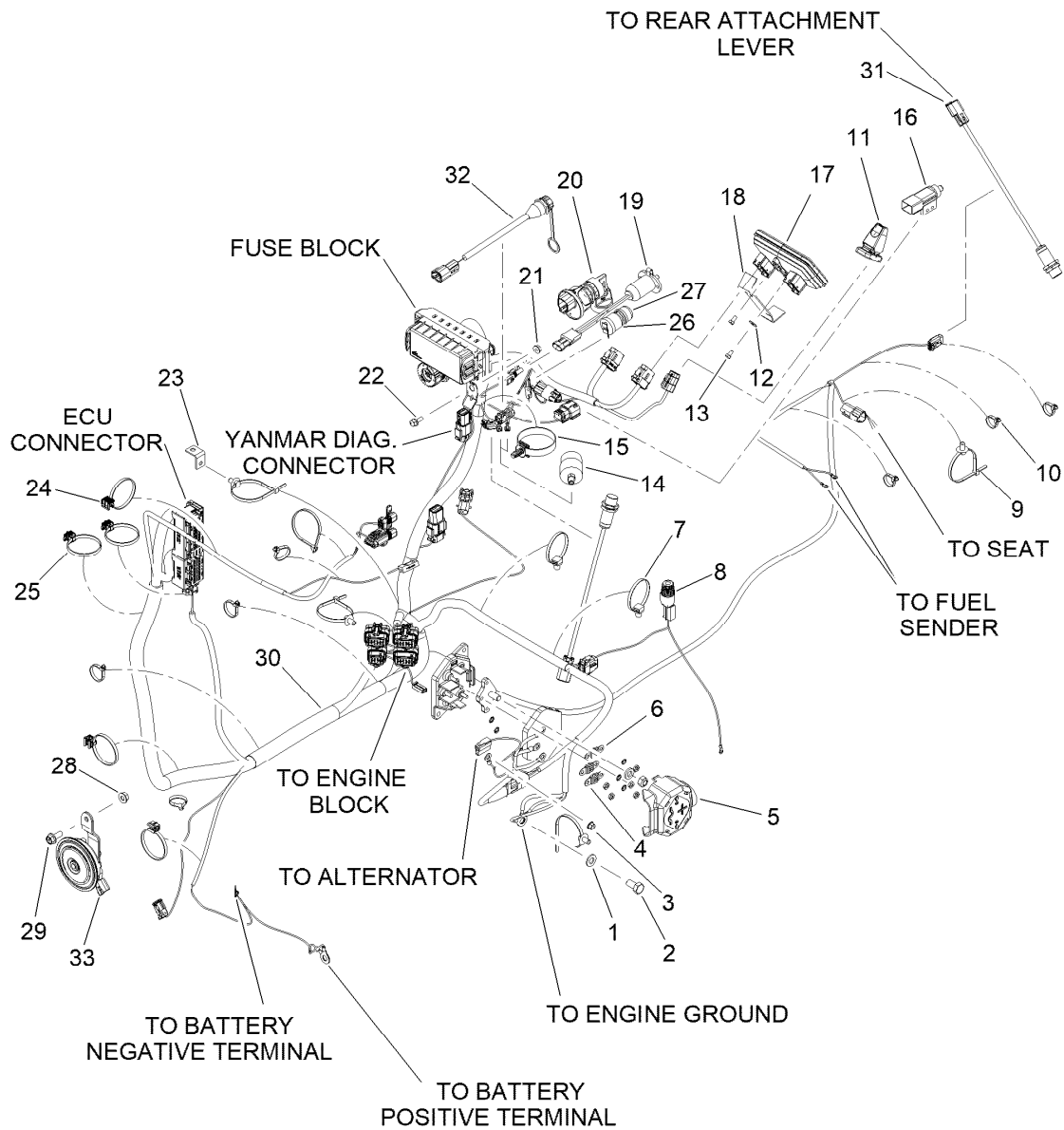
Ref.	Part Number	Qty.	Description
12		1	Body ●
13	92-2568	1	Poppet
15	58-6450	4	O-Ring
16	AUN9257	2	Ring-Retaining
17	58-6470	1	Washer
18	58-6480	1	Washer
19	58-6490	1	Washer
20	65-2770	2	Washer
21	127-6239	1	Plug ASM
22	106-0267	1	Spring
23	99-3531	2	Spring
24	58-6320	2	Wiper
25	60-6440	2	Eyelet
26	58-6410	2	Spring

● Not serviced separately



Motor Plumbing Assembly

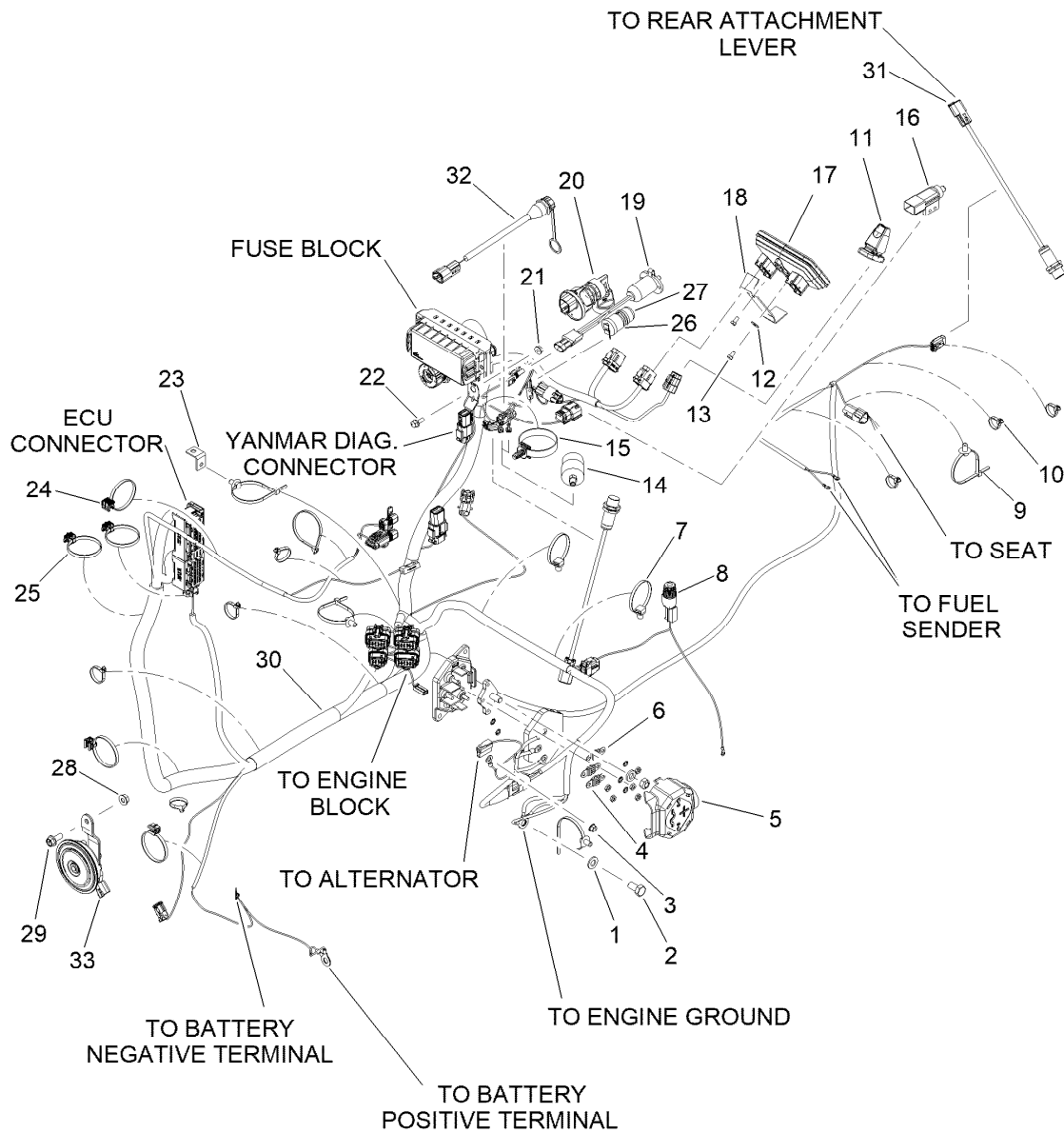
Ref.	Part Number	Qty.	Description	Ref.	Part Number	Qty.	Description
1	147-5451	1	Hydraulic Motor (Mp1 24Cc)	13	147-5439	2	Connector (12S-12O90)
2	325-5	2	Screw-HH	14	AU239918A1	1	HYD Variable Pump ASM
3	3253-7	2	Washer-Lock	15	AU112950	1	Protector-Hose
4	AUH274894	2	Washer	16	3334-945	1	Tie-Cable
5	147-5436	1	Hose (12Ofx90M-50"-3000)	17	147-5461	1	Bracket-Hose
6	147-5436	1	Hose (12Ofx90M-50"-3000)	18	33104-016	2	Screw-HHF
7	147-5440	2	Connector (10S-12O90)	19	147-5443	1	Connector (08S-10O)
8	AU112950	5	Protector-Hose	20	147-5428	1	Hose (10Fforx, -12Hose - 29"-E-Z-Form)
9	3290-378	12	Tie-Cable	21	AUH339762	1	Tee
10	147-5467	1	Cable Tie (1/2") 20" Lg	22	2412-129	1	Clamp-Hose
11	AU123989A1	2	Boot-Hose				
12	3334-945	9	Tie-Cable				



Harness and Component Assembly

Ref.	Part Number	Qty.	Description	Ref.	Part Number	Qty.	Description
1	33095-00	1	Washer-Flat	17	147-5503	1	Ccpilot Vi_2 3.5" Display
2	33115-020	1	Screw-HH	18	147-5506	1	Display Bracket
3	33003-00	1	Nut-HF	19	147-5489	1	Accessory Socket
4	147-5488	2	Bk/Ami 60 Amp Fuse	20	121-5159	1	Switch-Ignition
5	147-5791	1	Main Fuse Holder (3 Bk/Ami Fuses)	20:1	121-5160	1	Nut-Hex ●
6	147-5487	1	Bk/Ami 80 Amp Fuse	20:2	122-2704	1	Nut-Face, M22 (Plastic) ●
7	147-5484	2	Fir Tree Small Tie	20:3	121-5162	1	Set-Key, Ignition ●
8	121-6599	1	Switch-Temp, 200 Degree	21	139-2619	1	Nut-HF
9	147-5792	4	Fir Tree Cable Mount	22	33103-016	1	Screw-HHF
10	147-5793	8	Cable Tie (1/16" To 4")	23	147-5504	1	Bracket
11	147-5496	1	Hpw Switch (Friction Hold)	24	147-5485	1	Edge Clip Side Vertical (.12-.24)
12	137-3073	1	Washer-Plain	25	147-5795	4	Edge Clip Side Horizontal (.12-.24)
13	121-6320	2	Screw-HH	26	161-0698	1	Button-Horn
14	AU292950A1	1	Switch-Pressure, Vacuum	27	161-0699	1	Cover-Button
15	147-5794	1	Heavy Duty Fir Tree (.04-.62 THK)	28	32128-20	1	Nut-HF
16	147-5493	1	Plunger Switch	29	3234-5	1	Screw-HHF

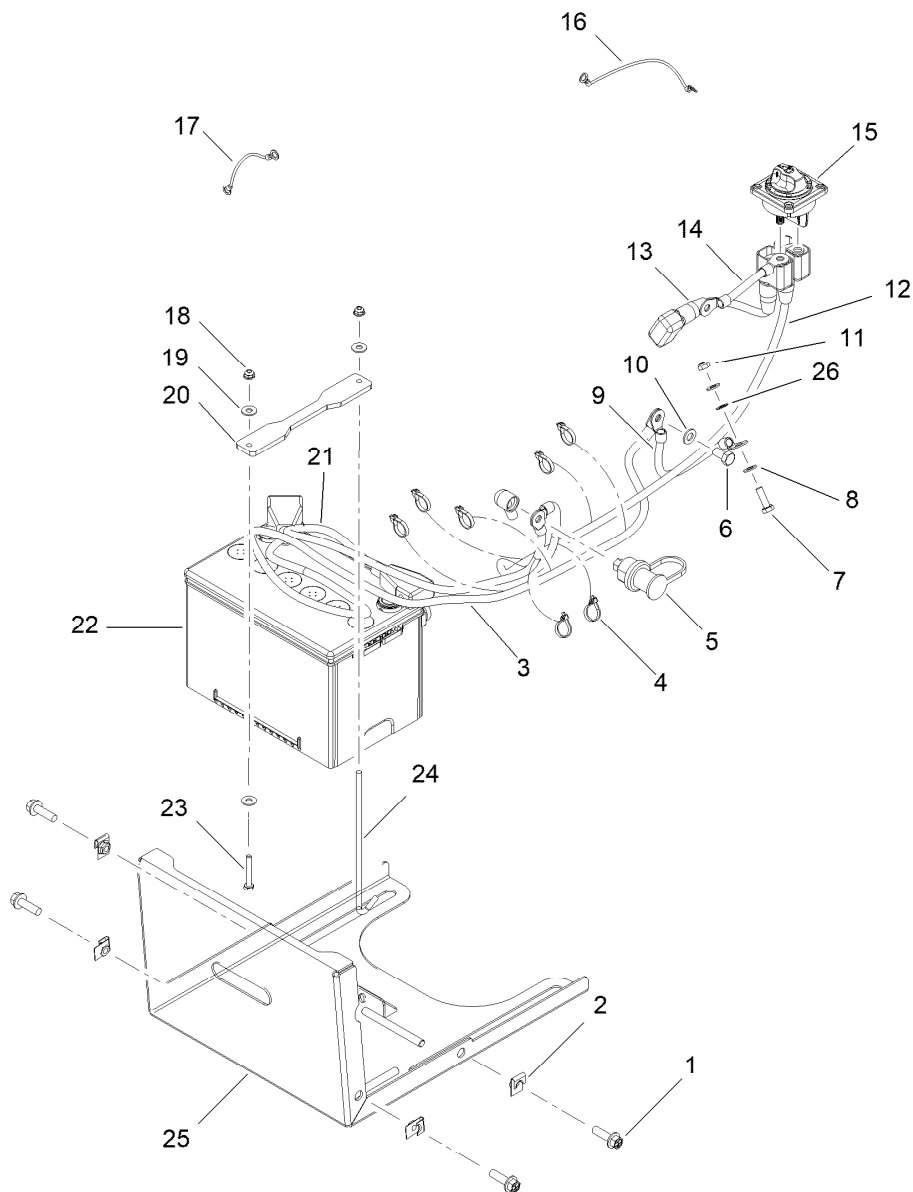
● Not illustrated



Harness and Component Assembly (continued)

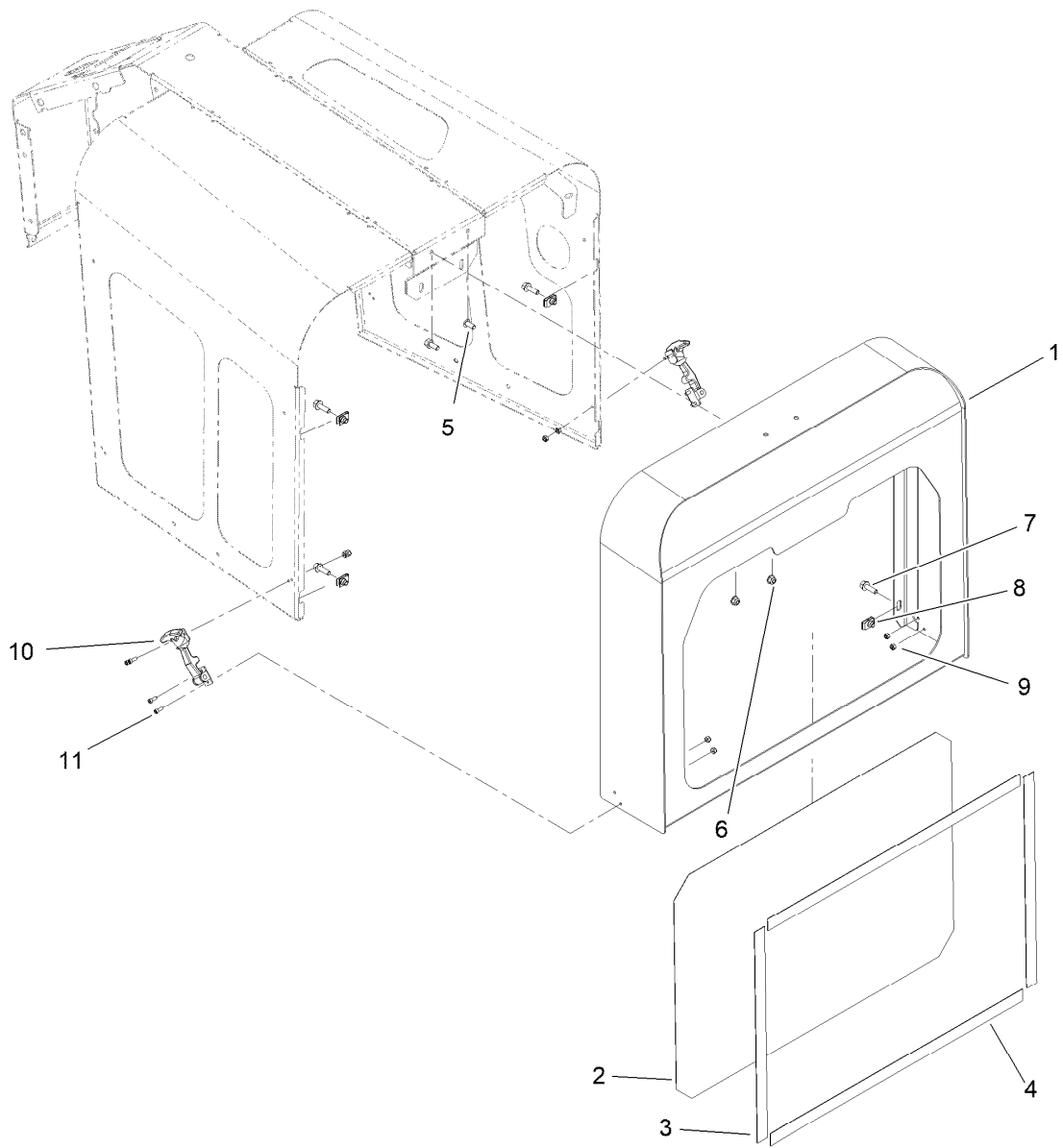
Ref.	Part Number	Qty.	Description	Ref.	Part Number	Qty.	Description
30	163-2403	1	Harness-Main	31	147-5490	2	Proximity Switch 18MM Npn N/O
30:1	161-0685	1	Diode Connector ●	32	163-2402	1	USB Data Jumper W/Cap
30:2	161-0686	1	Resistor Pack ●	33	163-2400	1	Horn-High Frequency
30:3	161-0687	4	Relay Spst Ultra-Micro 280 ●				
30:4	161-0688	5	Relay Spdt Micro 280 ●				

● Not illustrated



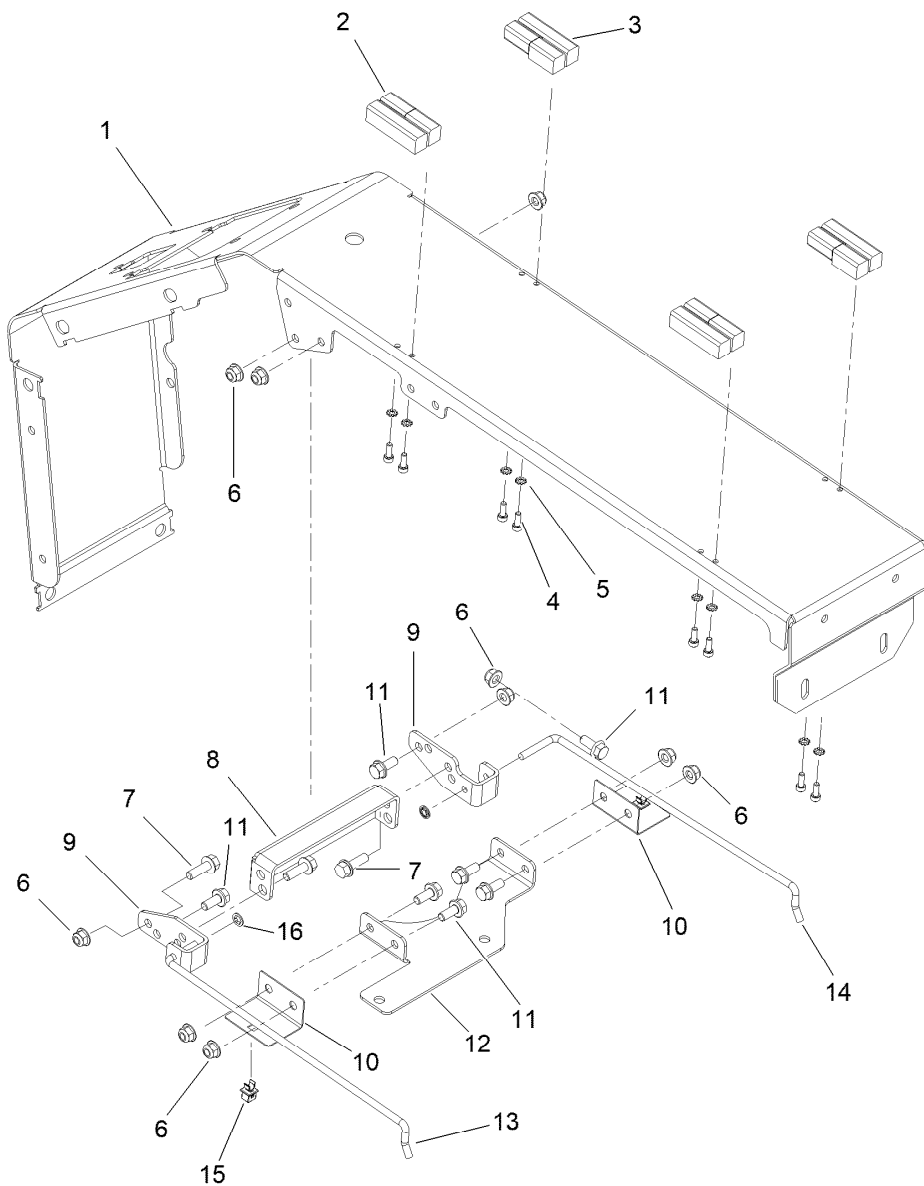
Battery and Cable Assembly

Ref.	Part Number	Qty.	Description	Ref.	Part Number	Qty.	Description
1	3234-24	4	Screw-HHF	15	147-5494	1	Square Disconnect Switch (300A)
2	147-5483	4	Nut-Spring	16	147-5492	1	Ground Braid - L Arm Panel To Cruise
3	147-5499	1	Batt Cable Neg. (1GA X 46 Inches, Blk)	17	147-5492	1	Ground Braid - L Arm Panel To Cruise
4	147-5793	7	Cable Tie (1/16" To 4")	18	104-7201	2	Nut-HF, NI
5	147-5486	1	Battery Jumper Terminal (Red)	19	120-9646	3	Washer-Flat
6	33115-020	1	Screw-HH	20	147-5510	1	Battery Hold Down
7	AU426-516	1	Screw-HH	21	147-5498	1	Batt Cable Pos. (1GA X 30 Inches, Red)
8	3256-23	2	Washer-Plain	22	147-5495	1	Battery-775CCA, 12V Agm
9	147-5491	1	Ground Strap	23	321-10	1	Screw-HH
10	33095-00	1	Washer-Flat	24	147-5505	1	J-Hook
11	97-1203	1	Nut-Hex	25	147-5796	1	Battery Tray - Weld
12	147-5502	1	Jump Start Cable (1GA X 38 Inches, Red)	26	3255-8	1	Washer-Lock
13	147-5501	1	Starter Cable (1GA X 8 Inches, Red)				
14	147-5500	1	Trifuse Cable (1GA X 4.25 Inches, Red)				



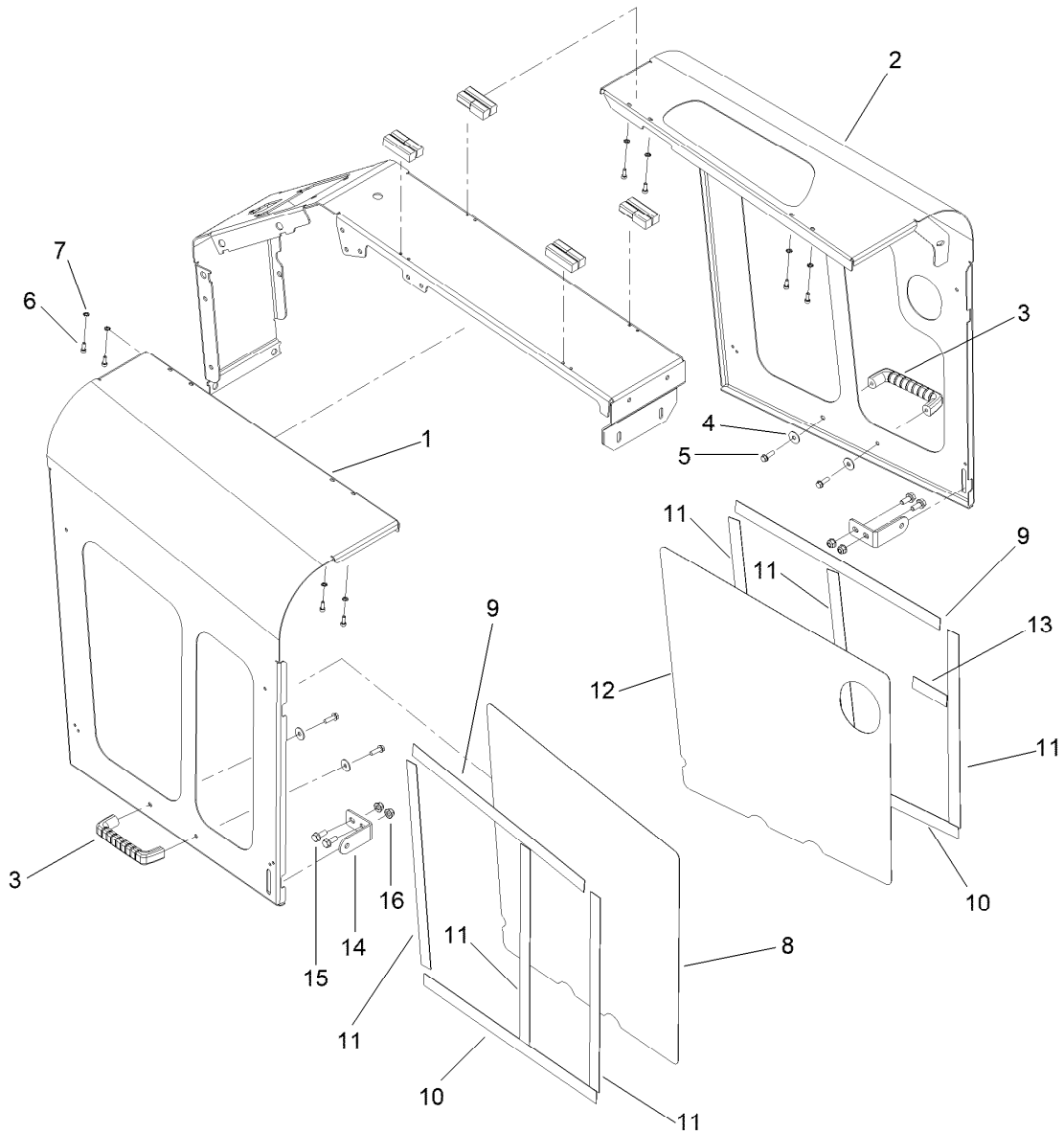
Grill Assembly

<i>Ref.</i>	<i>Part Number</i>	<i>Qty.</i>	<i>Description</i>
1	147-5519	1	Grill (Toro Red)
2	147-5551	1	Screen-Grill
3	147-5530	36	Vhb Tape (1.0") High Energy
4	147-5530	50	Vhb Tape (1.0") High Energy
5	3234-47	2	Screw-HHF
6	104-8300	2	Nut-HF, NI
7	3234-29	4	Screw-HHF
8	94-2413	4	Nut-U
9	3296-2	8	Nut-Lock, NI
10	ST35289	4	Latch-Flex, Draw
11	147-5558	8	Screw-HSH



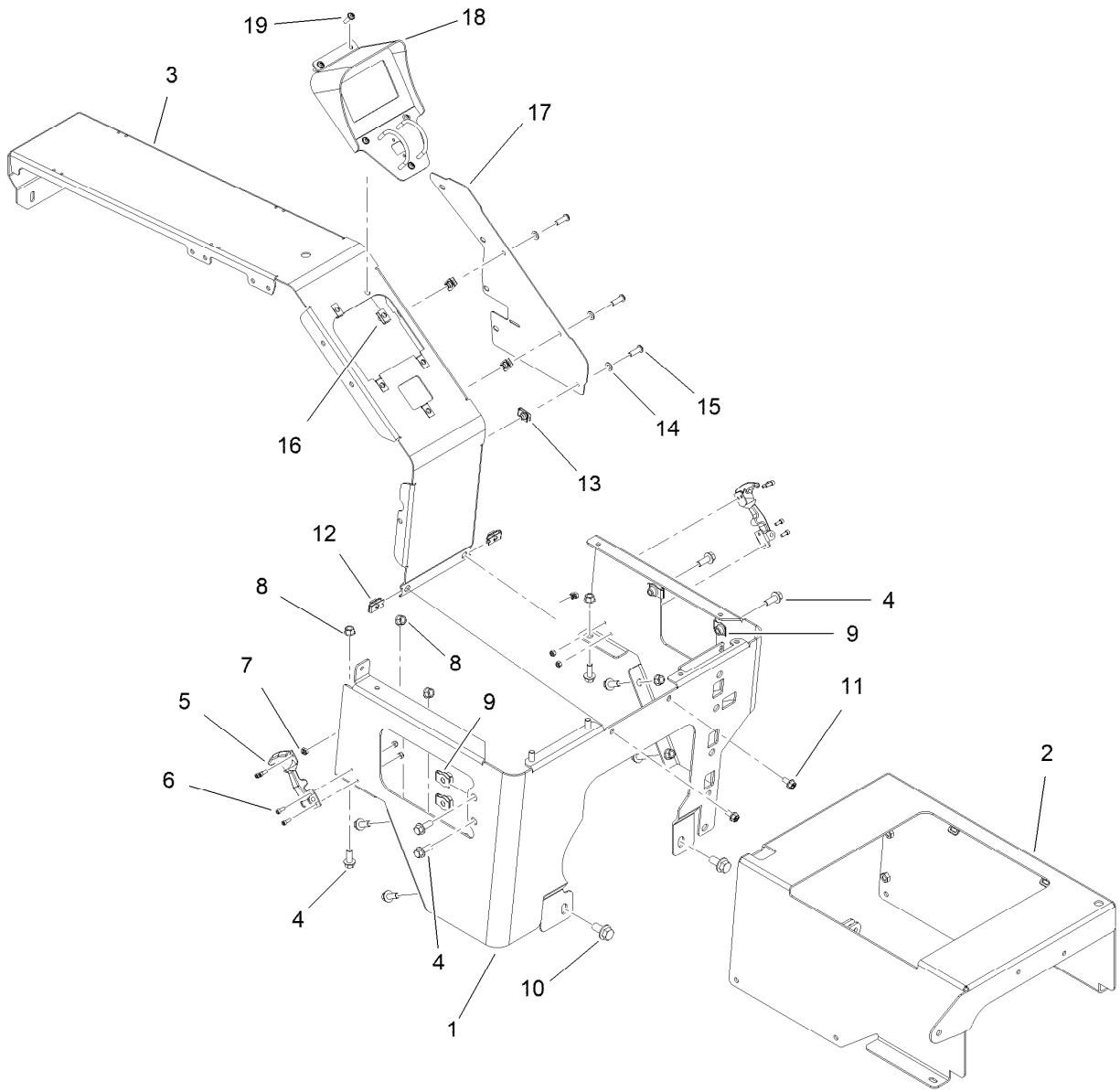
Hood Support Assembly

<i>Ref.</i>	<i>Part Number</i>	<i>Qty.</i>	<i>Description</i>	<i>Ref.</i>	<i>Part Number</i>	<i>Qty.</i>	<i>Description</i>
1	147-5549	1	Support	9	147-5552	2	Support, Prop Rod
2	147-5534	2	Lift-Off Hinge (Offset)	10	147-5547	2	Tab, Prop Rod
3	147-5539	2	Lift-Off Hinge (Offset)	11	3234-47	7	Screw-HHF
4	112-5181	8	Screw -HSH	12	147-5543	1	Bracket-Air Filter
5	3255-5	8	Washer-Lock, EXT	13	147-5554	1	Prop Rod, Right
6	104-8300	10	Nut-HF, NI	14	147-5553	1	Prop Rod, Left
7	3234-29	3	Screw-HHF	15	147-5532	2	Prop Rod Clip
8	147-5555	1	Cross Brace	16	147-5528	2	Push Nut (1/4)



Hood Assembly

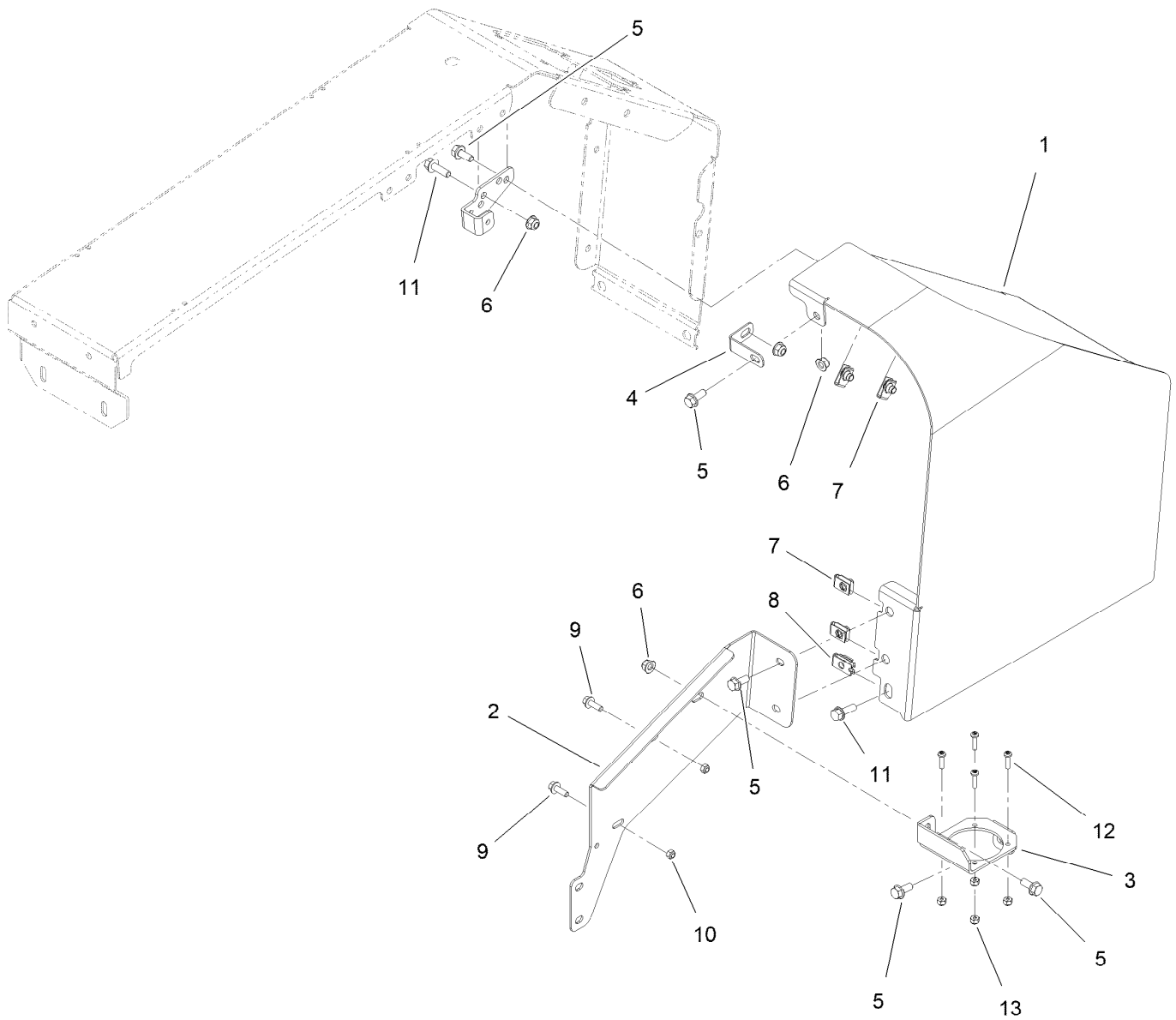
<i>Ref.</i>	<i>Part Number</i>	<i>Qty.</i>	<i>Description</i>	<i>Ref.</i>	<i>Part Number</i>	<i>Qty.</i>	<i>Description</i>
1	161-0679	1	Hood-Locking, RH	9	147-5530	38	Vhb Tape (1.0") High Energy
2	161-0680	1	Hood-Locking, LH	10	147-5530	36	Vhb Tape (1.0") High Energy
3	65-5100	2	Handle-Door	11	147-5530	96	Vhb Tape (1.0") High Energy
4	87-6630	4	Washer-Plain	12	147-5544	1	Left Door Screen
5	46-8091	4	Screw-HWH	13	147-5530	3	Vhb Tape (1.0") High Energy
6	112-5181	8	Screw -HSH	14	161-0681	2	Bracket-Lock
7	3255-5	8	Washer-Lock, EXT	15	3234-47	4	Screw-HHF
8	147-5545	1	Screen-Right Side	16	104-8300	4	Nut-HF, NI



Center Console and Seat Support Assembly

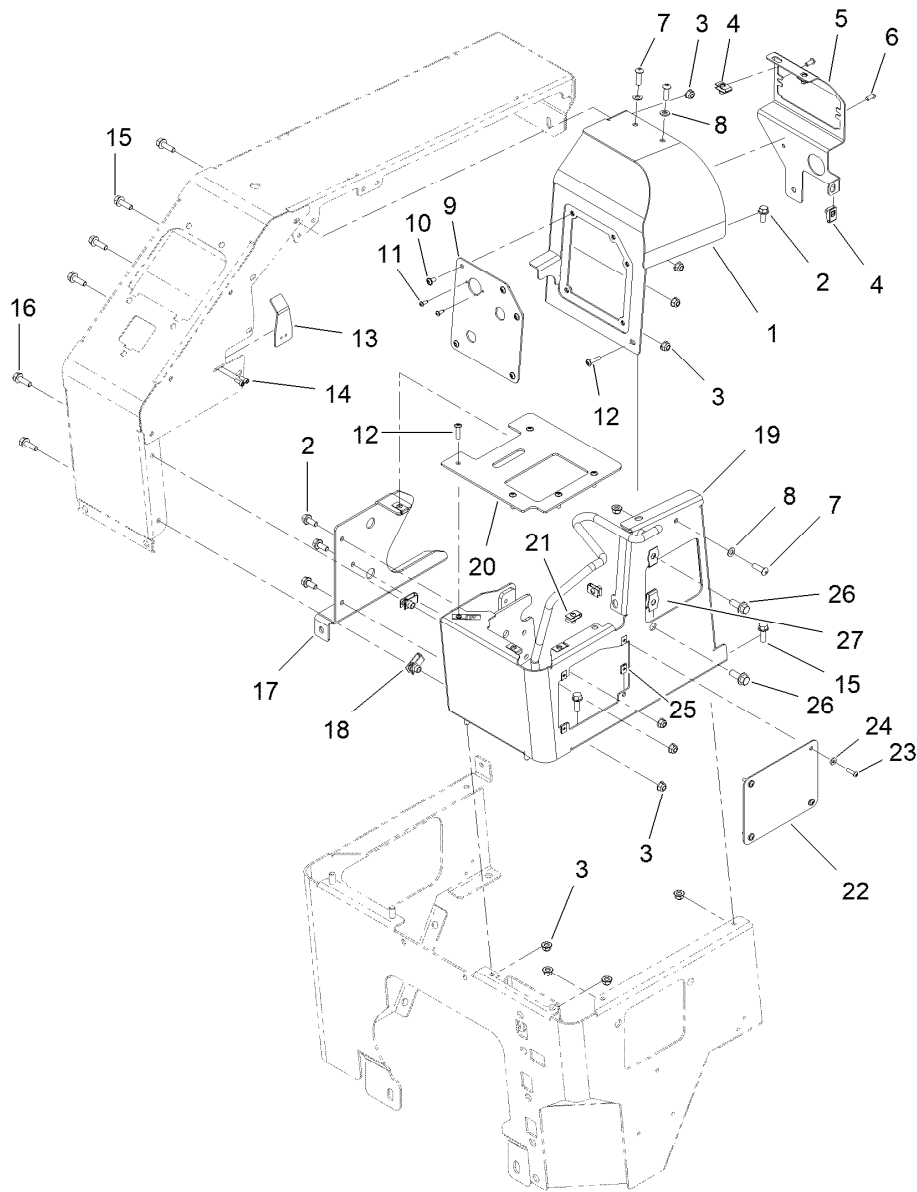
<i>Ref.</i>	<i>Part Number</i>	<i>Qty.</i>	<i>Description</i>
1	147-5524	1	Console-Bottom Welded (Toro Red)
2	147-5523	1	Support, Seat Welded (Toro Red)
3	147-5549	1	Support
4	3234-42	10	Screw-HHF
5	ST35289	4	Latch-Flex, Draw
6	147-5558	8	Screw-HSH
7	3296-2	8	Nut-Lock, NI
8	32128-36	6	Nut-HF
9	105-4886	4	Nut-Tinnerman

<i>Ref.</i>	<i>Part Number</i>	<i>Qty.</i>	<i>Description</i>
10	3234-6	2	Screw-HHF
11	3234-14	2	Screw-HHF
12	CSP11800	2	Nut-Thick, Tinnerman
13	94-2413	3	Nut-U
14	87-7510	3	Washer-Flat
15	109-4872	3	Screw-HSH
16	AU100861	5	Nut-U
17	147-5556	1	Plate-Controls Side
18	147-5550	1	Mount-Display
19	134-3741	5	Screw-HHF



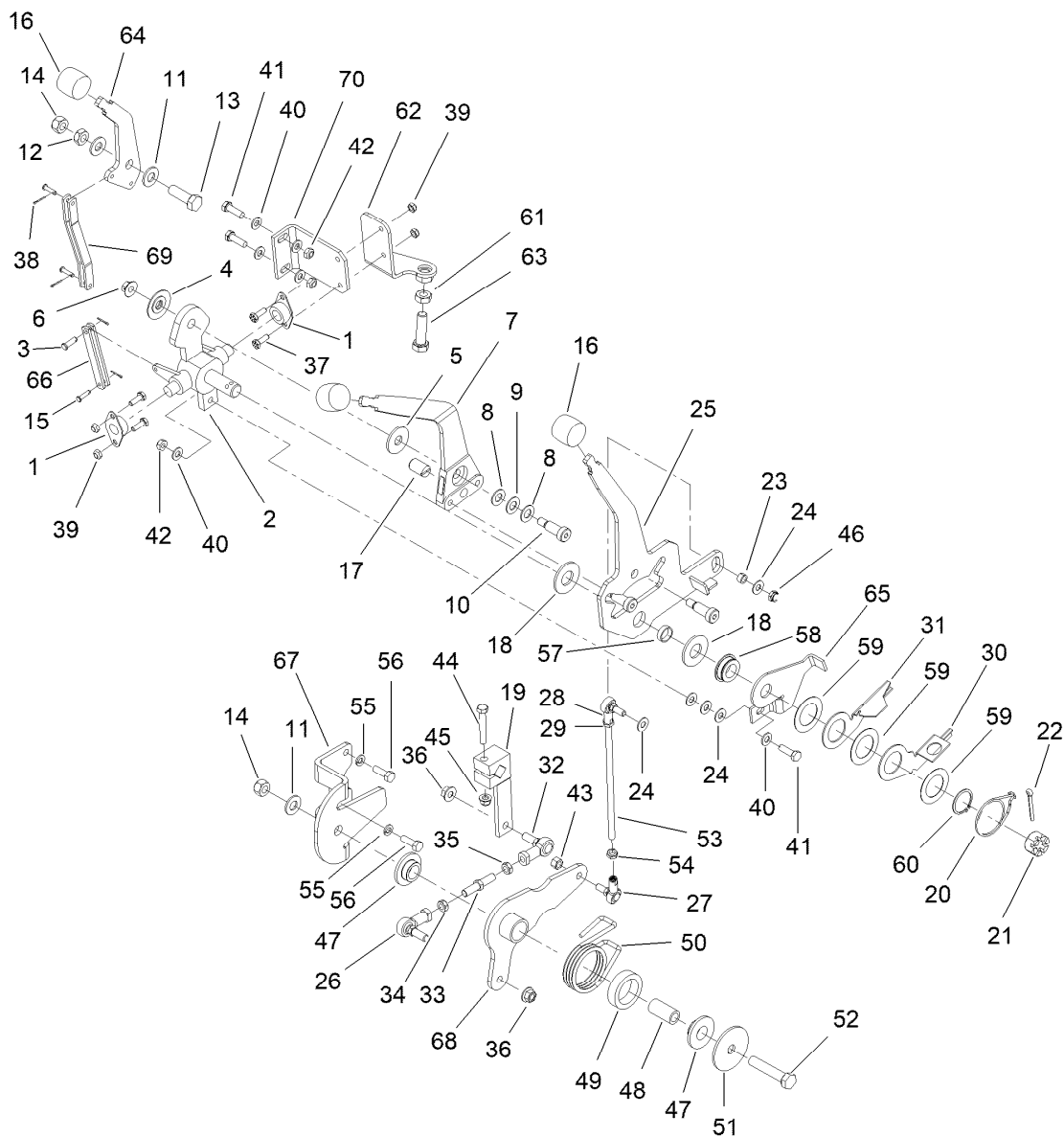
Left Console Assembly

Ref.	Part Number	Qty.	Description
1	147-5522	1	Console Cover-Left (Toro Red)
2	147-5557	1	Fuse Mount
3	147-5548	1	Bracket-Disconnect
4	147-5540	1	Bracket-Cover
5	3234-47	6	Screw-HHF
6	104-8300	4	Nut-HF, NI
7	94-2413	4	Nut-U
8	CSP11800	1	Nut-Thick, Tinnerman
9	3234-4	2	Screw-HHF
10	147-5538	2	Locknut (1/4-Nf, NYL Insert)
11	3234-29	2	Screw-HHF
12	110-0863	4	Screw-Tph
13	3296-2	4	Nut-Lock, NI



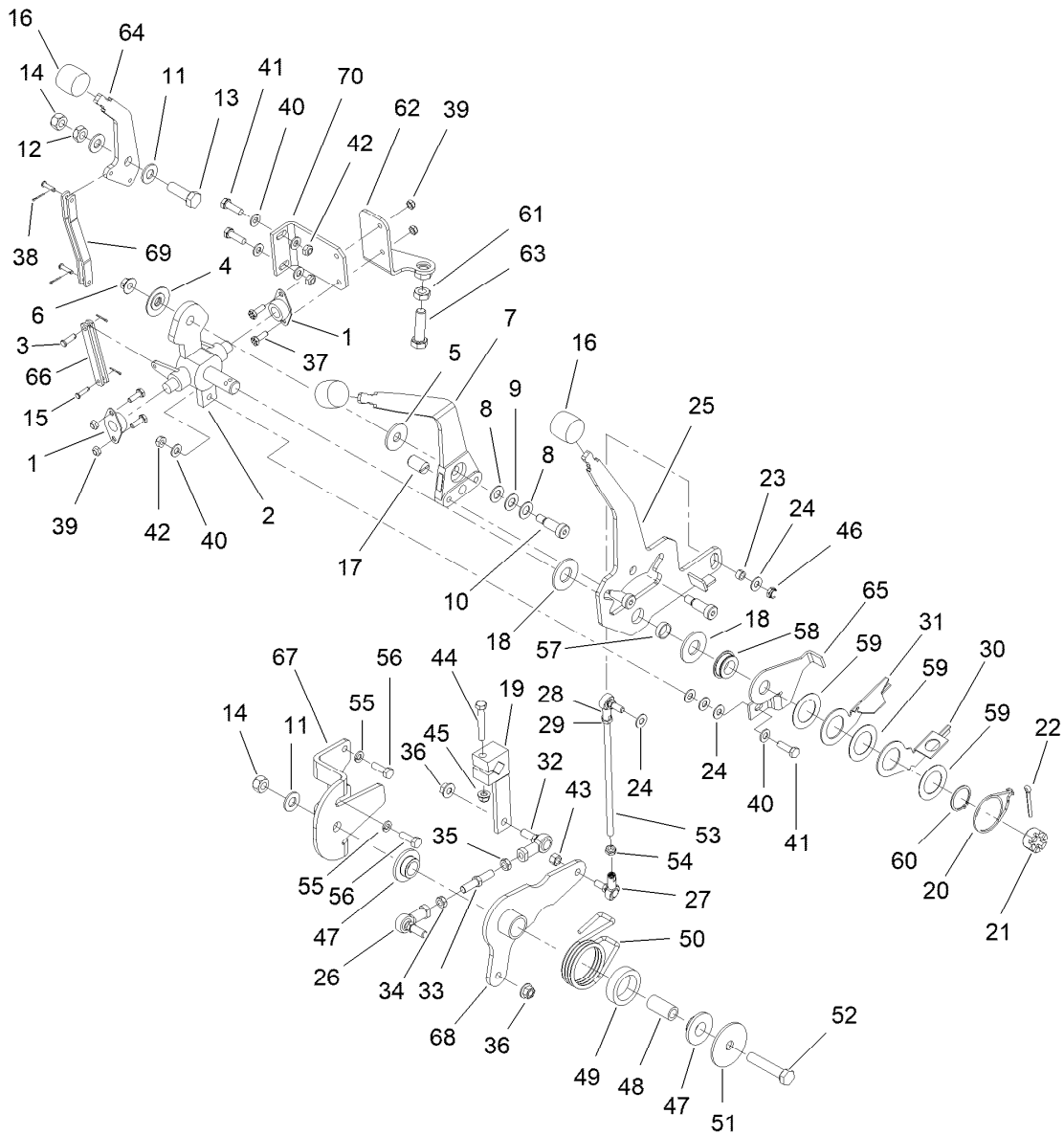
Right Console Assembly

<i>Ref.</i>	<i>Part Number</i>	<i>Qty.</i>	<i>Description</i>	<i>Ref.</i>	<i>Part Number</i>	<i>Qty.</i>	<i>Description</i>
1	147-5520	1	Console Cover-Right (Toro Red)	14	147-5536	2	Bolt (#10-32 X 1/2" Soc SS)
2	3234-47	4	Screw-HHF	15	3234-29	8	Screw-HHF
3	104-8300	12	Nut-HF, NI	16	33104-025	2	Screw-HHF
4	94-2413	3	Nut-U	17	147-5541	1	Plate-Hydraulic Tank
5	147-5546	1	Mount Bracket-Fuse	18	AU100862	2	Nut-U
6	126-2713	2	Screw-HHF	19	147-5521	1	Console-Top (Toro Red)
7	109-4872	3	Screw-HSH	20	147-5525	1	Plate-Controls Top (Toro Red)
8	87-7510	3	Washer-Flat	21	AU100861	6	Nut-U
9	147-5527	1	Door (Toro Red)	22	147-5526	1	Cover-Trencher (Toro Red)
10	147-5533	5	Flg Screw (M6 X 12MM) Button Head 8.8	23	104-2408	4	Screw-HSBH
11	3250-26	2	Screw-PPH	24	3256-77	4	Washer-Flat
12	112-9356	6	Screw-HSBH	25	3290-277	4	Nut-Speed
13	147-5542	1	Plate-Threaded	26	3234-42	2	Screw-HHF
				27	105-4886	2	Nut-Tinnerman



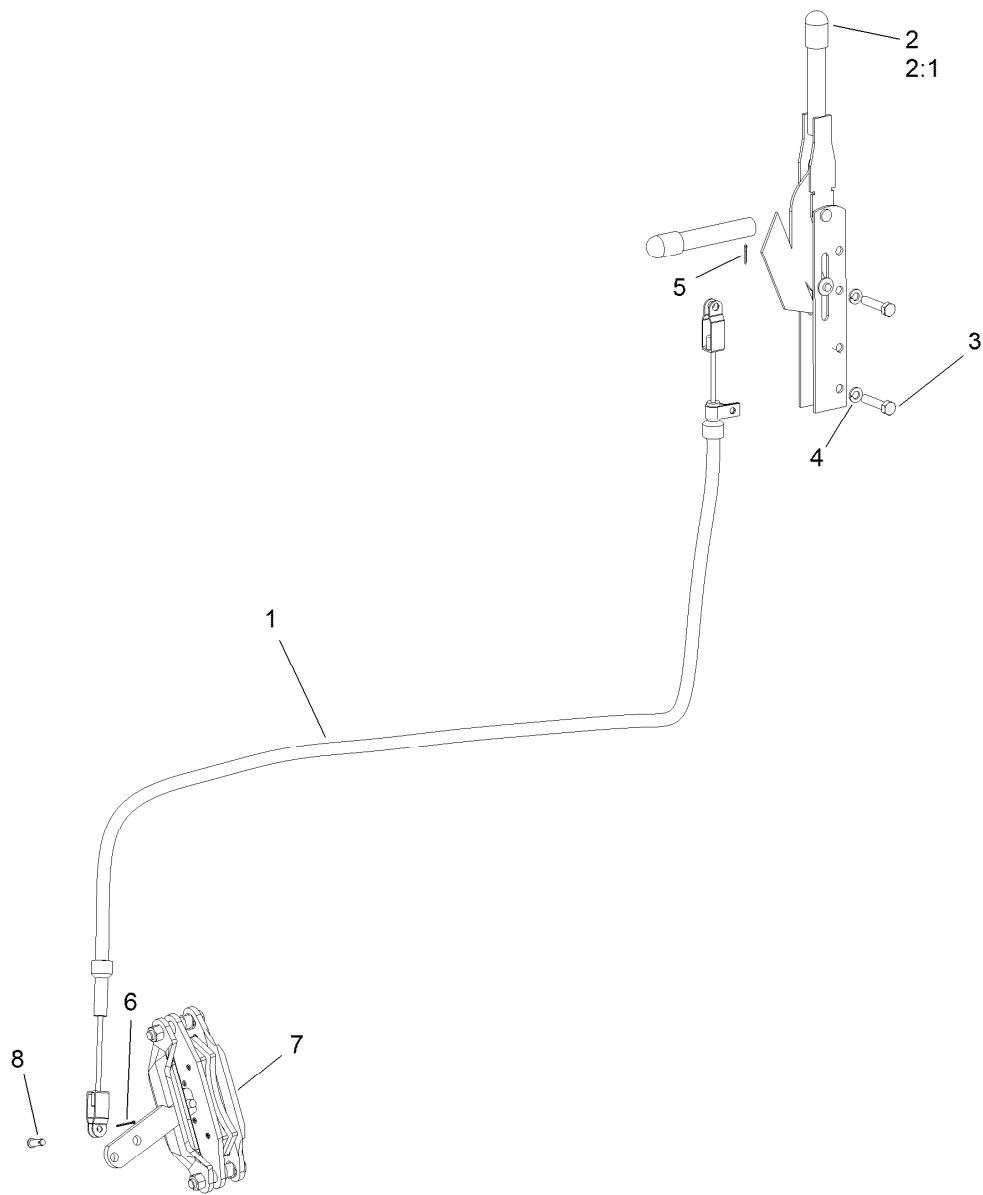
Control Assembly

<i>Ref.</i>	<i>Part Number</i>	<i>Qty.</i>	<i>Description</i>	<i>Ref.</i>	<i>Part Number</i>	<i>Qty.</i>	<i>Description</i>
1	AUH755785	2	Bearing	22	3272-23	1	Pin-Cotter
2	AUH435855	1	Pivot-Control, Steering	23	1-603500	1	Spacer
3	9321204	1	Pin-Clevis	24	107-0279	5	Washer
4	AUR14771	1	Washer-Belleville	25	147-5566	1	Handle-Ground Drive
5	AUH429894	1	Washer-Friction	26	AU139830A1	1	Joint-Ball, Stud (Rod End)
6	32128-19	1	Nut-HF Lock, Large Flg	27	AU103404	1	Joint-Ball, LH (Female)
7	147-5564	1	Handle-Creep	28	AUH289652	1	Joint-Ball (Female)
8	AUH405035	2	Race-Thrust	29	3220-2	1	Nut-Jam
9	AUH405043	1	Bearing-Thrust (Needle)	30	125-6645	1	Plate-Mounting, Switch
10	1-603403	3	Bolt-Shoulder	31	125-6644	1	Plate-Mounting, Switch
11	3256-26	3	Washer-Flat	32	AUR47940	1	Joint-Ball
12	AU425-148	1	Nut-Jam	33	AU107344	1	Screw-Jack, Control
13	AU426-824	1	Screw-HH	34	AU129-289	1	Nut-Jam, LH
14	AU230-4218	2	Nut-Hex	35	AU425-156	1	Nut-Jam, Hex
15	AUH44529	3	Pin-Clevis	36	127-6852	2	Nut-Flange, Lock
16	AUA177435	3	Knob	37	147-5559	4	Bolt (1/4-NC X 3/4", GR8)
17	AUH404731	1	Ball-Plunger	38	3272-1	4	Pin-Cotter
18	AUH433170	2	Washer-Spacer	39	146375	4	Nut-Lock, Cone
19	147-5563	1	Lever-Pump Control	40	3256-23	6	Washer-Plain
20	AUH436231	1	Spring-Centering	41	AU426-516	3	Screw-HH
21	AU425-1212	1	Nut-Slotted, Hex	42	97-1203	3	Nut-Hex



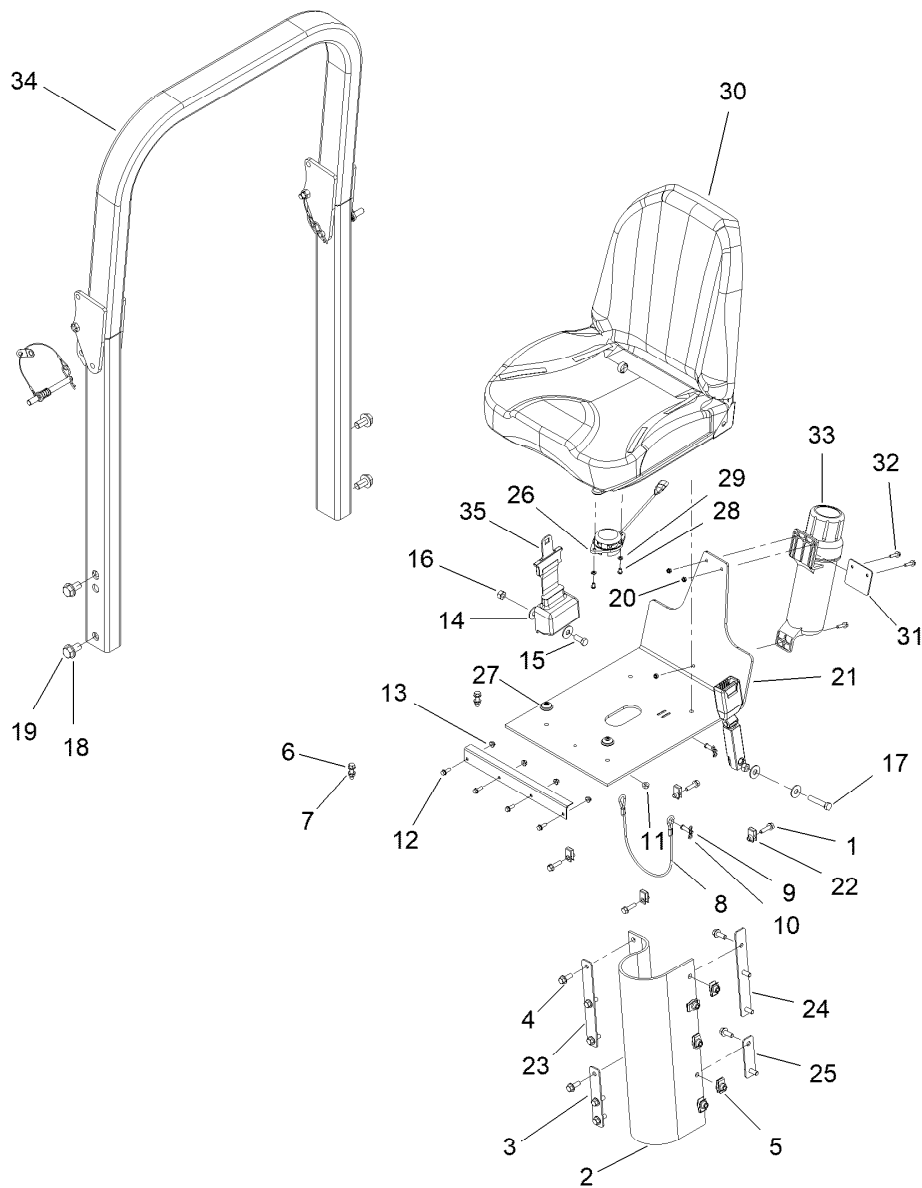
Control Assembly (continued)

<i>Ref.</i>	<i>Part Number</i>	<i>Qty.</i>	<i>Description</i>	<i>Ref.</i>	<i>Part Number</i>	<i>Qty.</i>	<i>Description</i>
43	32152-5	1	Nut-Hex	57	AUH433184	1	Bearing-Handle
44	322-10	1	Screw-HH	58	AU131050A1	1	Hub
45	104-8300	1	Nut-HF, NI	59	AUH257915	3	Shim
46	3296-20	1	Nut-Lock, NI	60	AU103-11125	1	Ring-Retaining
47	AUD128616	2	Bushing-Insert, Plastic	61	3218-5	1	Nut-Jam
48	AUH435694	1	Spacer	62	147-5567	1	Bracket-Stop
49	AU175086A1	1	Spacer-Collar	63	325-7	1	Screw-HH
50	AUH436303	1	Spring	64	147-5568	1	Lever-Lift
51	AU131967A1	1	Washer-Flat (Special)	65	AUH436230-03	1	Plate-Centering
52	AU426-840	1	Screw-HH	66	147-5560	2	Link-Valve
53	131-2134	1	Rod Control	67	147-5565	1	Plate-Pump
54	3220-20	1	Nut-Jam	68	147-5562	1	Plate-Linkage
55	3253-4	2	Washer-Lock	69	147-5561	2	Link-Valve Control
56	AU100873	2	Screw-Hfh	70	125-8539-03	1	Angle-Mounting



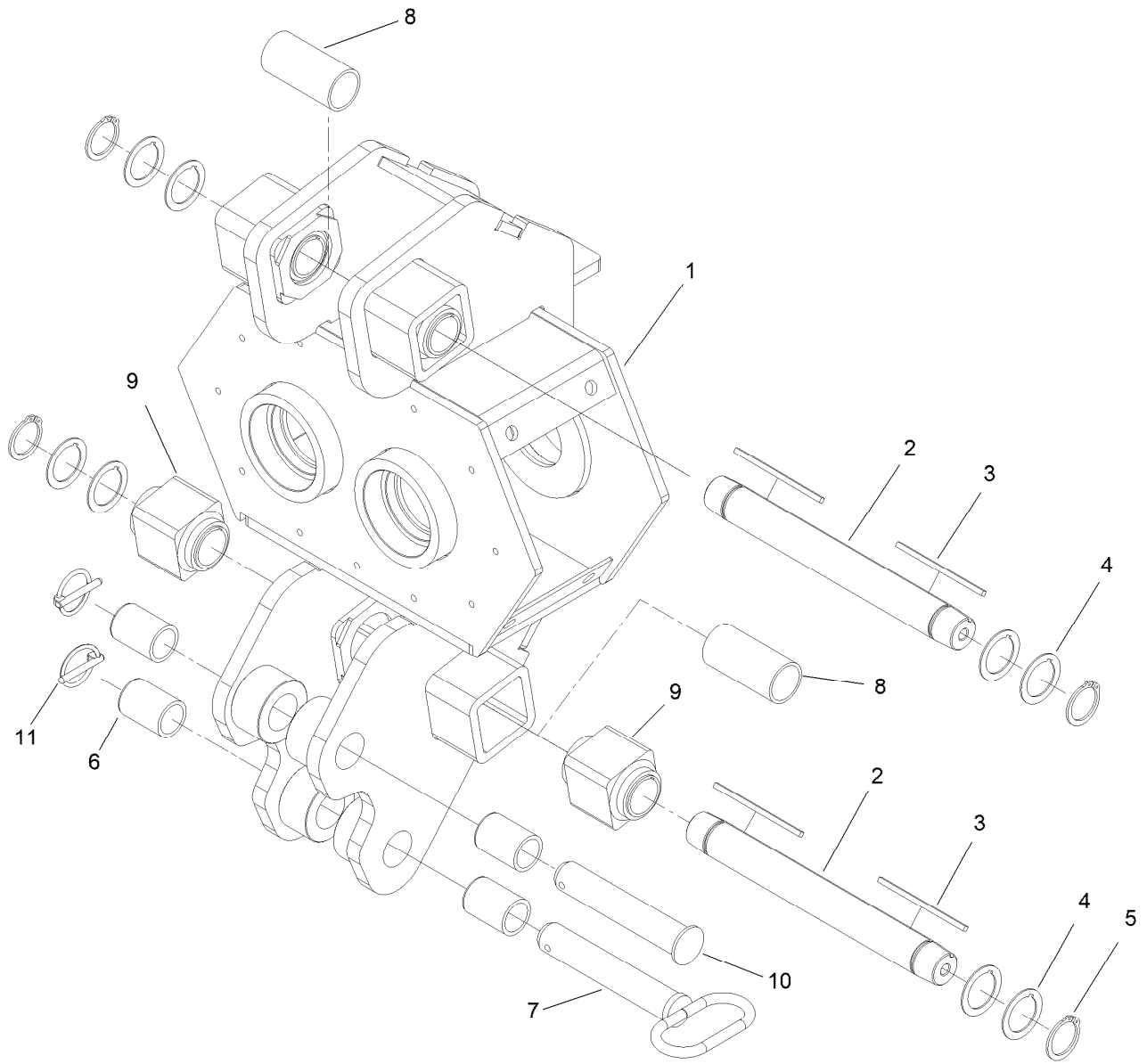
Park Brake Assembly

Ref.	Part Number	Qty.	Description
1	AU119124A2	1	Cable-Brake
2	AUH506881	1	Lever-Brake
2:1	AUH53942	1	Spacer
3	5-1470	2	Screw-HH
4	3253-4	2	Washer-Lock
5	3272-1	1	Pin-Cotter
6	132-0707	1	Pin-Cotter
7	AUH673926	1	Caliper ASM
8	9321204	1	Pin-Clevis



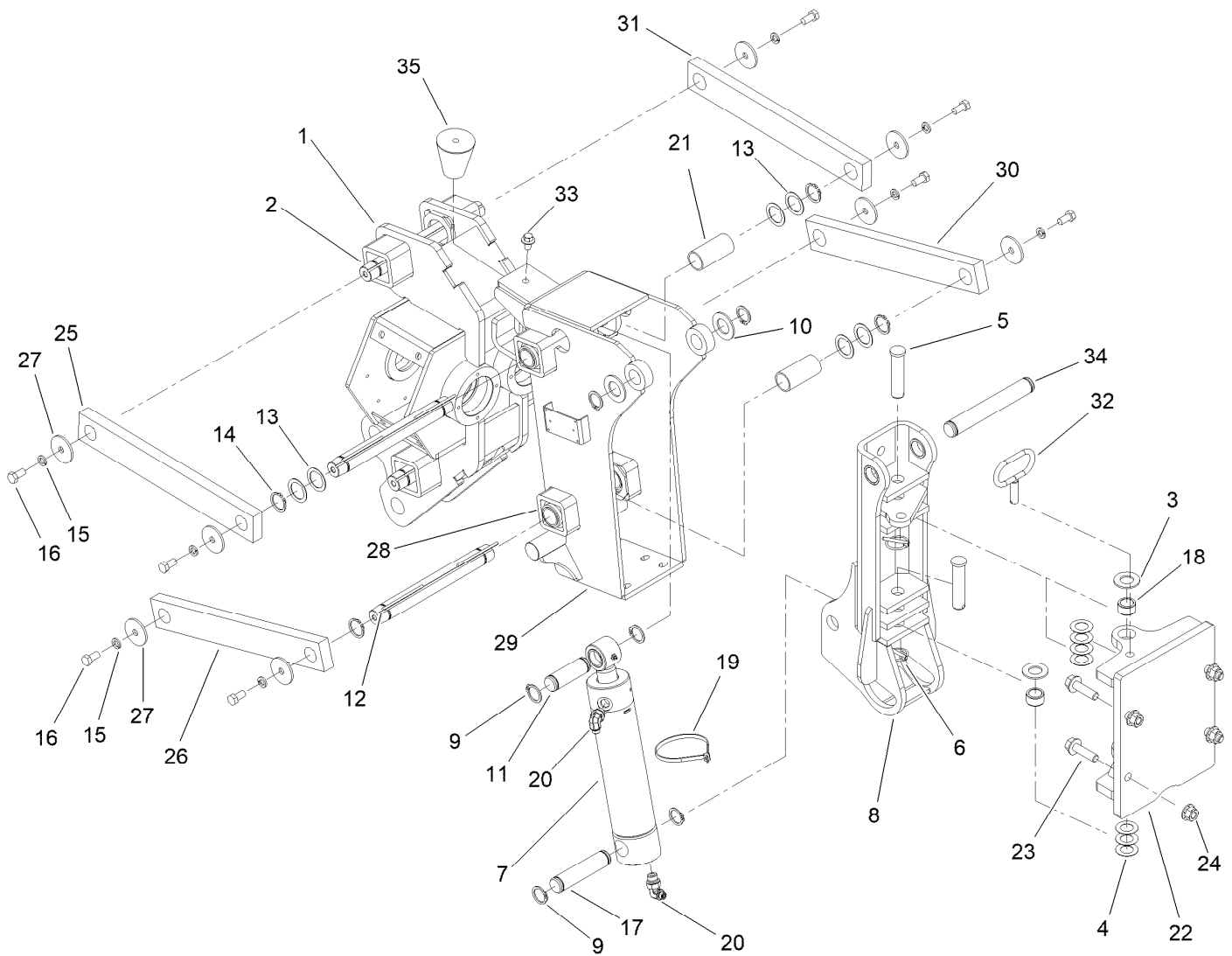
Seat, Base and ROPS Assembly

Ref.	Part Number	Qty.	Description	Ref.	Part Number	Qty.	Description
1	33104-030	4	Screw-HHF	19	327-3	4	Screw-HH
2	130-4285	1	Shield-Rubber	20	110-8451	3	Nut-Hex, NI
3	147-5576	1	Plate	21	147-5578	1	Seat Base-Welded
4	3234-42	11	Screw-HHF	22	AU100862	4	Nut-U
5	105-4886	5	Nut-Tinnerman	23	147-5575	1	Plate
6	3234-36	2	Screw-HHF	24	147-5574	1	Plate
7	104-8300	2	Nut-HF, NI	25	147-5580	1	Plate
8	98-4371	1	Cable-Seat	26	147-5573	1	Seat Switch
9	283-6	2	Pin-Clevis	27	147-5571	2	Cup-Washer
10	119-1415	2	Pin-Cotter, Locking	28	131-1883	2	Screw-HSBH
11	32128-20	4	Nut-HF	29	09472	2	Washer-Plain
12	115-5103	4	Screw-HHF	30	147-5572	1	Seat - Low Profile Gray
13	104-7201	4	Nut-HF, NI	31	147-5577	1	Plate-Manual Tube Support
14	3256-5	4	Washer-Flat	32	147-5570	3	Screw-HHF M6 X 25
15	AU428-716	1	Screw-HH	33	147-5581	1	Manual Compartment
16	AU232-4617	2	Nut-Hex	34	147-5579	1	ROPS-Folding
17	AU428-736	1	Screw-HH	35	AU249116A1	1	Seat Belt ASM
18	3256-27	4	Washer-Flat				



Plow Box Assembly

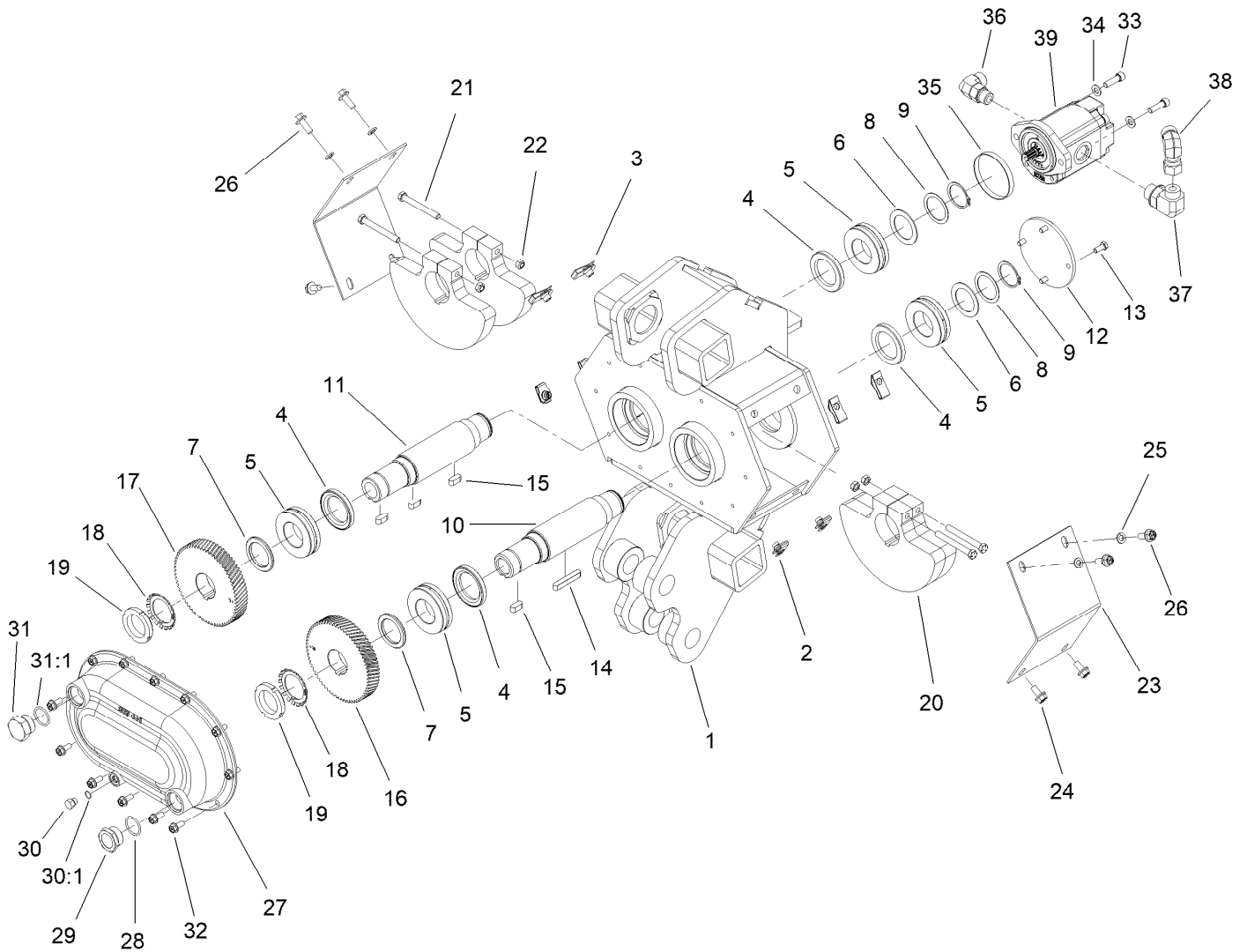
<i>Ref.</i>	<i>Part Number</i>	<i>Qty.</i>	<i>Description</i>
1	147-5615	1	Vibrator Box - Machining
2	136-0200	2	Shaft-Arm, Plow
3	AU116373A1	4	Key-Square
4	AUH436118	8	Shim-Arm
5	147-5585	4	Ring-Retaining
6	AUH418954	4	Bushing
7	125-8528	1	Pin
8	136-0228	2	Tube-Spacer
9	AUH235077	4	Joint-Ct Bd, J-8203
10	AUH393843	1	Pin-Mounting, Blade
11	107-3039	2	Pin-Lynch



Plow Lift Assembly

Ref.	Part Number	Qty.	Description	Ref.	Part Number	Qty.	Description
1	147-5615	1	Vibrator Box - Machining	18	AUD34818	2	Bushing-Upper
2	136-0200	4	Shaft-Arm, Plow	19	3334-945	1	Tie-Cable
3	AU495-11106	2	Washer-Flat	20	147-5586	2	Connector (04O-08S90)
4	AU195-81015	7	Washer-Flat	21	136-0228	2	Tube-Spacer
5	AU113192A1	2	Pin-Pivot	22	147-5592	1	Mount Plate
6	107-3039	2	Pin-Lynch	23	147-5582	4	Flg Blt(5/8-NC X 2.25", GR 8)
7	AU129434	1	HYD Cylinder ASM	24	147-5401	4	Flg Locknut (5/8-NC, GR G)
7:2	127-1840	1	Seal Kit ●	25	147-5812	1	Bar - RH Upper
8	147-5809	1	Pivot ASM	26	147-5813	1	Bar - RH Lower
8:1	AUD34337	2	Bushing ●	27	147-5583	8	Washer (1/2") Zp
9	32151-77	6	Ring-Retaining, External	28	AUH235077	4	Joint-Ct Bd, J-8203
10	AUH113241	2	Washer-10 Gauge	29	147-5593	1	Frame-Lift, Plow (Welded)
11	AUH434556	1	Pin-Clevis	30	147-5811	1	Bar - LH Lower
12	AU116373A1	4	Key-Square	31	147-5810	1	Bar - LH Upper
13	AUH436118	6	Shim-Arm	32	125-8535	1	Lock-Swing
14	147-5585	4	Ring-Retaining	33	33106-020	1	Screw-HHF
15	3253-7	8	Washer-Lock	34	AUH382457	1	Pin-Lift
16	325-4	8	Screw-HH	35	147-5584	1	Female Bumper
17	AUH434557	1	Pin-Clevis				

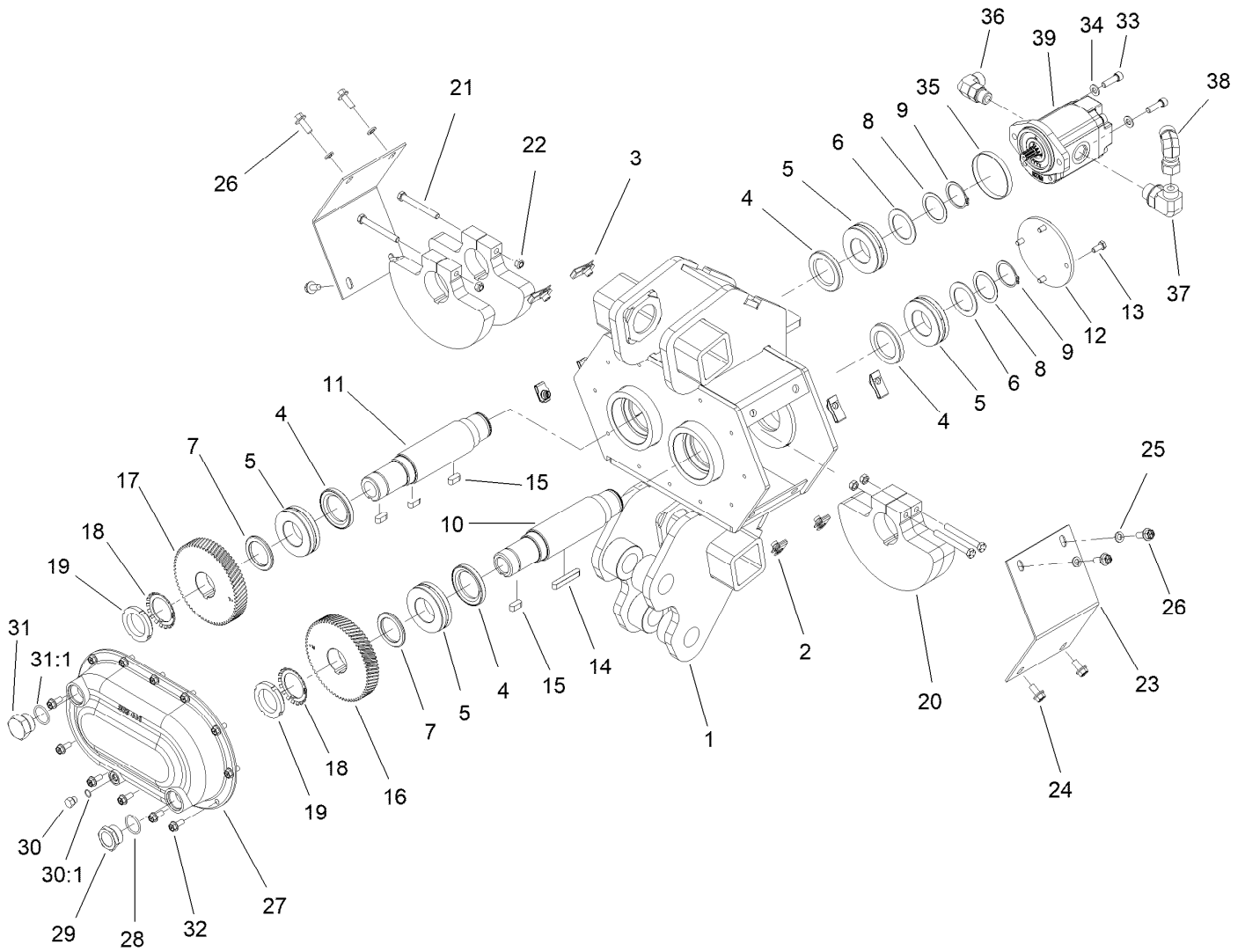
● Not illustrated



Vibratory Box Assembly

Ref.	Part Number	Qty.	Description	Ref.	Part Number	Qty.	Description
1	147-5615	1	Vibrator Box - Machining	18	147-5609	2	Tang Lock Washer (1.792")
2	147-5595	4	Clip Nut (3/8-NC)	19	147-5608	2	Thrust Locknut (1.767-Nf-18)
3	147-5596	4	Clip Nut (3/8-NC)	20	147-5607	4	Vibrator Weight
4	147-5601	4	Internal Seal	21	323-20	4	Screw-HH
5	99-2670	4	Bearing-Roller, Spherical	22	3296-39	4	Nut-Lock, NI
6	147-5597	2	Machine Bushing (1-3/4", 14GA)	23	147-5616	2	Cover Plate
7	147-5606	2	Spacer	24	3234-1	4	Screw-HHF
8	147-5599	2	Machinery Bushing (1.750")	25	139-5806	4	Washer-Lock
9	147-5600	2	External Snap Ring (1.750")	26	3234-11	4	Screw-HHF
10	147-5605	1	Right Shaft	27	147-5612	1	Casting (Side Cover)
11	147-5604	1	Driver Shaft	28	237-146	1	O-Ring
12	147-5613	1	Cover Plate	29	147-5598	1	Sight Gauge (16S)
13	322-3	4	Screw-HH	30	353-990	1	Plug ASM
14	147-5602	1	Key (3/8" X 2-29/64")	30:1	237-78	1	O-Ring
15	147-5603	4	Key (3/8" X .980")	31	105-3921	1	Fitting-Plug
16	147-5611	1	Right Gear	31:1	237-146	1	O-Ring
17	147-5610	1	Left Gear	32	3234-5	12	Screw-HHF

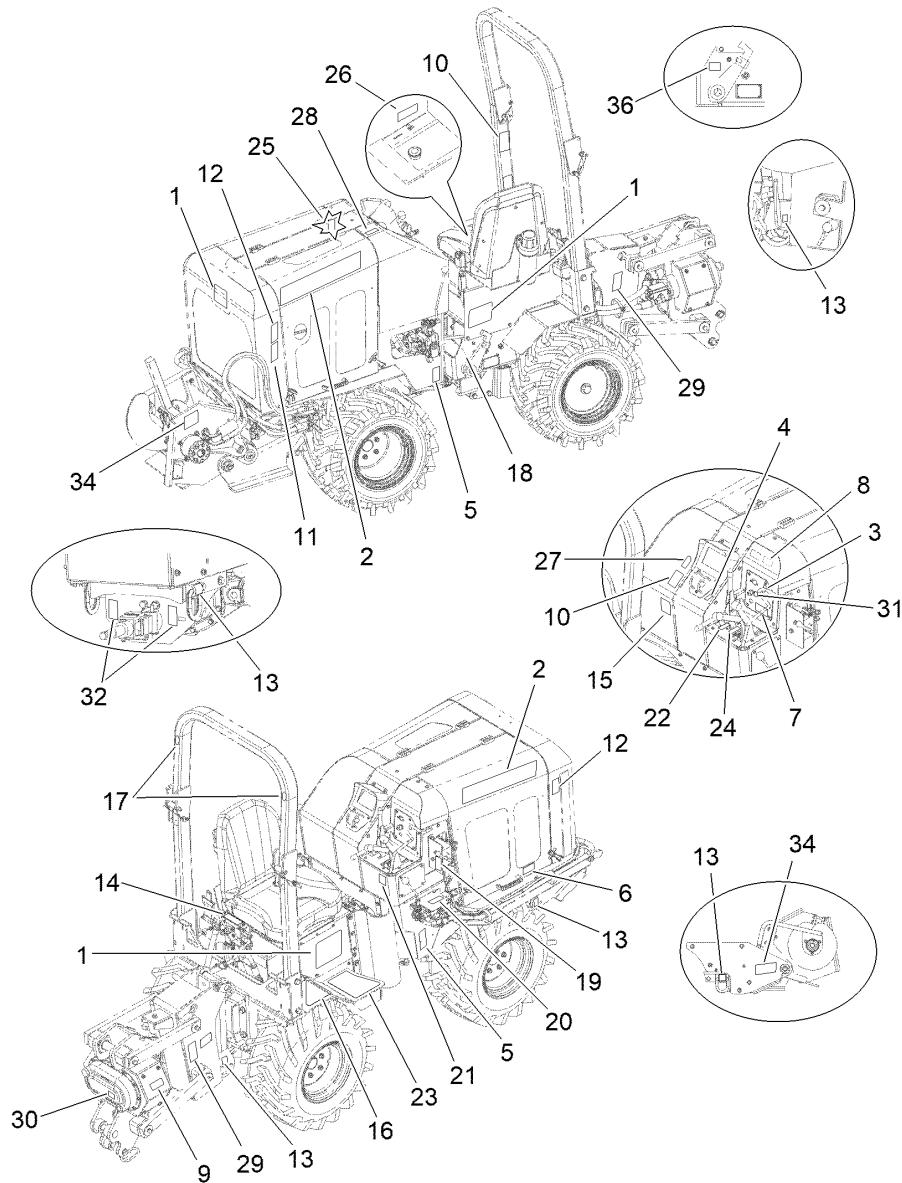
● Not illustrated



Vibratory Box Assembly (continued)

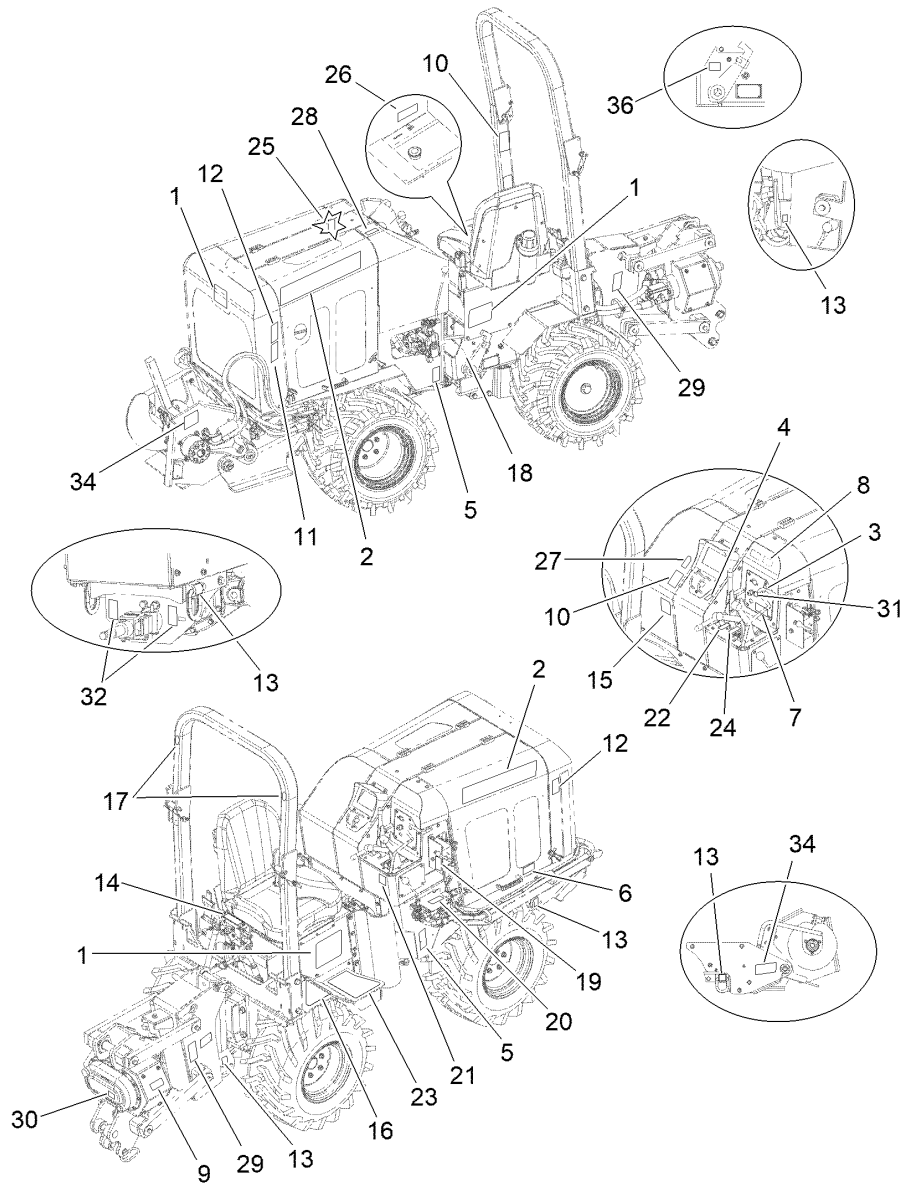
<i>Ref.</i>	<i>Part Number</i>	<i>Qty.</i>	<i>Description</i>	<i>Ref.</i>	<i>Part Number</i>	<i>Qty.</i>	<i>Description</i>
33	3274-1	2	Screw-HSH	37:1	237-81	1	O-Ring ●
34	33095-00	2	Washer-Flat	37:2	237-65	1	O-Ring ●
35	147-5614	1	Adapter	38	340-160	1	Elbow-90
36	340-17	1	Fitting-Elbow, 90 DEG	38:1	237-65	1	O-Ring ●
36:1	237-65	1	O-Ring ●	39	115-8250	1	Gear Motor ASM
36:2	237-80	1	O-Ring ●	39:1	125-1682	1	Motor Seal Kit ●
37	340-139	1	Fitting-Elbow 90	39:2	117-5107	2	Valve-Check ●

● Not illustrated



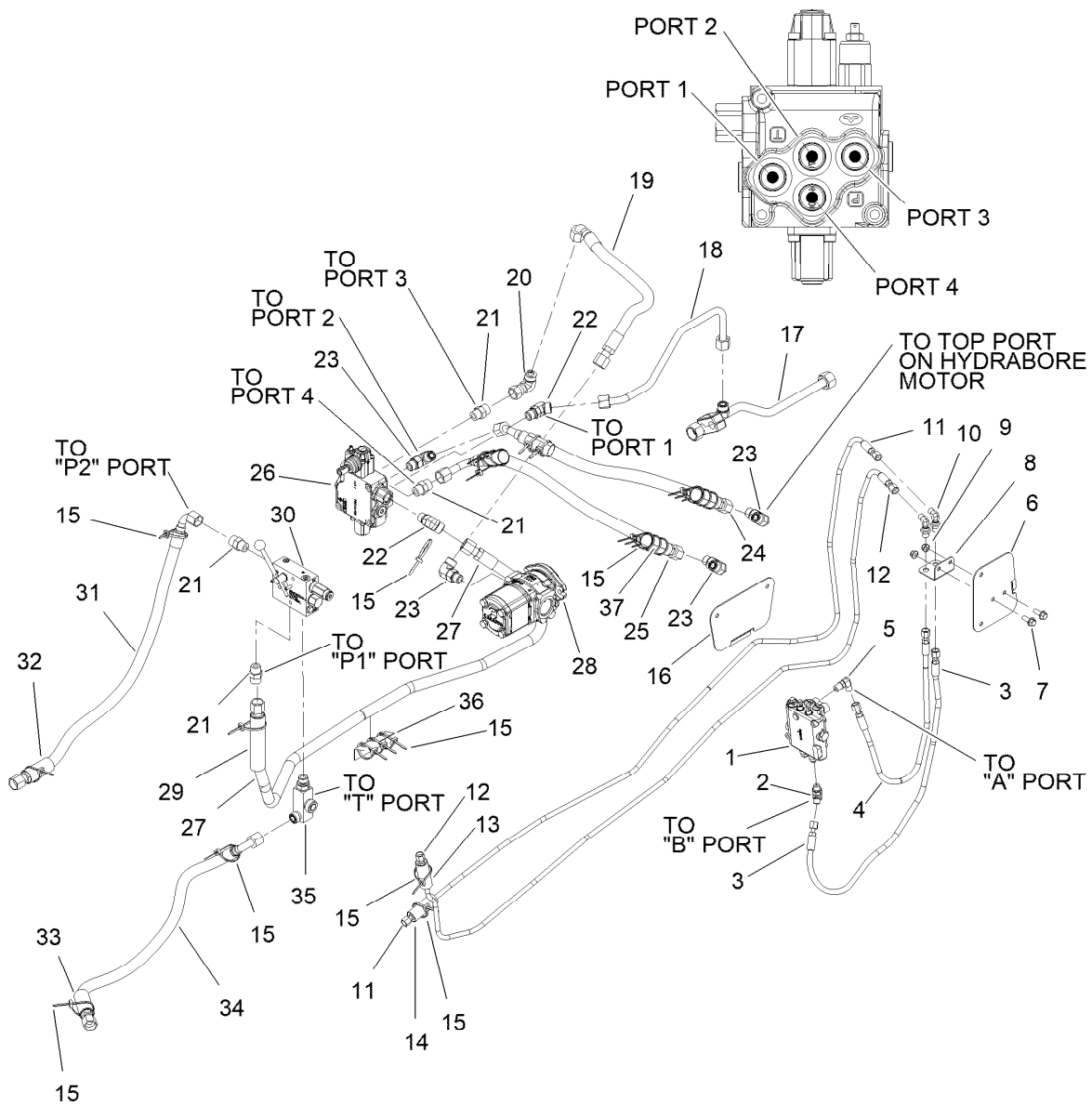
Decal Assembly

Ref.	Part Number	Qty.	Description	Ref.	Part Number	Qty.	Description
1	62-5550	3	Decal	19	147-5654	1	Plow/Trencher Lift Select
2	147-5640	2	Maxi Sneaker 370 Model ID	20	147-5655	1	Digging Chain Forward/Reverse
3	147-5645	1	Ignition	21	147-5634	1	Ground Drive Control
4	147-5805	1	Hand Throttle Operation	22	147-5652	1	Parking Brake
5	147-5647	2	Warning Crushing Force	23	147-5636	1	Non-Skid
6	147-5627	1	Warning No Ether/Starter Fluid ISO	24	147-5637	1	Digging Chain/Plow Raise/Lower
7	147-5646	1	Warning Read Manual ISO	25	147-5625	1	Fuse Relay Block
8	147-5629	1	Warning One Call Notification ISO	26	147-5628	1	Diesel Fuel ISO
9	147-5643	1	Amplitude Chart	27	147-5644	1	Caution Wear Hearing Protection
10	147-5650	2	Warning Rollover - Foldable ROPS	28	147-5630	1	Hydraulic Reservoir (Thf) ISO
11	147-5651	1	Caution Hot Parts	29	147-5649	2	Decal-Warning Moving Parts
12	147-5648	2	Warning Moving Parts ISO	30	147-5642	1	Oil Level Decal
13	147-5641	6	Tie Down Location	31	161-0697	1	Horn
14	147-5638	1	Plow Control	32	147-5746	2	Danger Rotating Shaft
15	147-5639	1	Service Lube Chart				
16	147-5635	1	Non-Skid				
17	147-5632	2	Red Hi Vis 1.5" Reflectors				
18	147-5748	1	Hydra Bore Control				



Decal Assembly (continued)

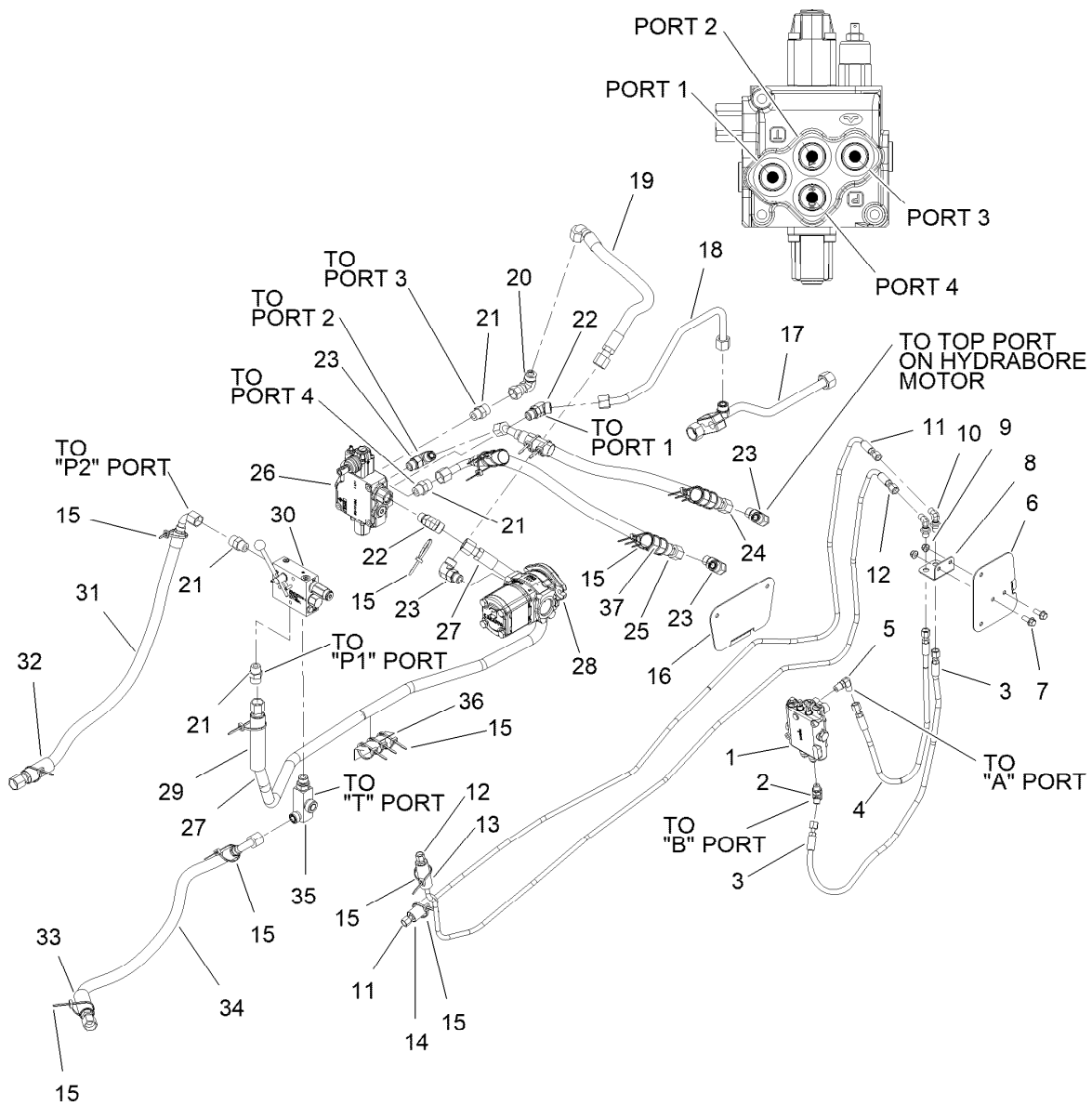
<i>Ref.</i>	<i>Part Number</i>	<i>Qty.</i>	<i>Description</i>
34	147-5807	2	Danger Chain And Auger ISO
36	163-2410	1	Decal-Steering Frame Lock



Hydraulic Plow Configuration Assembly

Ref.	Part Number	Qty.	Description	Ref.	Part Number	Qty.	Description
1	AU407213A1	1	HYD Steering Valve ASM	13	147-5797	1	Abrasion Sleeve (1.00" X 92")
2	95-4136	1	Fitting-HYD, 45 Degree	14	147-5798	1	Abrasion Sleeve (1.00" X 82")
2:1	237-42	1	O-Ring ●	15	3290-378	22	Tie-Cable
2:2	237-21	1	O-Ring ●	16	147-5479	1	Cover-Trencher (Toro Red)
3	147-5476	1	Hose (04Ofx-32"-3000)	17	147-5430	1	Hardline (-12 Return To Cooler)
4	147-5470	1	Hose (04Ofx-27"-3000)	18	147-5741	1	Hardline (Hydrabore To Return)
5	340-82	1	Fitting-Elbow, 90 DEG	19	147-5742	1	Hose (10Ofx90S-18"-3000)
5:1	237-42	1	O-Ring ●	20	340-160	1	Elbow-90
5:2	237-21	1	O-Ring ●	20:1	237-65	1	O-Ring ●
6	147-5478	1	Cover-Selector (Toro Red)	21	147-5727	4	Connector (10S-100)
7	3234-42	2	Screw-HHF	22	147-5728	2	Connector (10S-10045)
8	147-5477	1	Plate-Bulkhead	23	147-5706	4	Connector (10S-10090)
9	104-8301	2	Nut-HF, NI	24	147-5739	1	Hose (10Ofx45-53"-3000)
10	147-5475	2	Bk Connector (04O-04O90Bk)	25	147-5740	1	Hose (10Ofx90L-54"-3000)
11	147-5471	1	Hose (04Ofx-82"-3000)				
12	147-5472	1	Hose (04Ofx-92.5"-3000)				

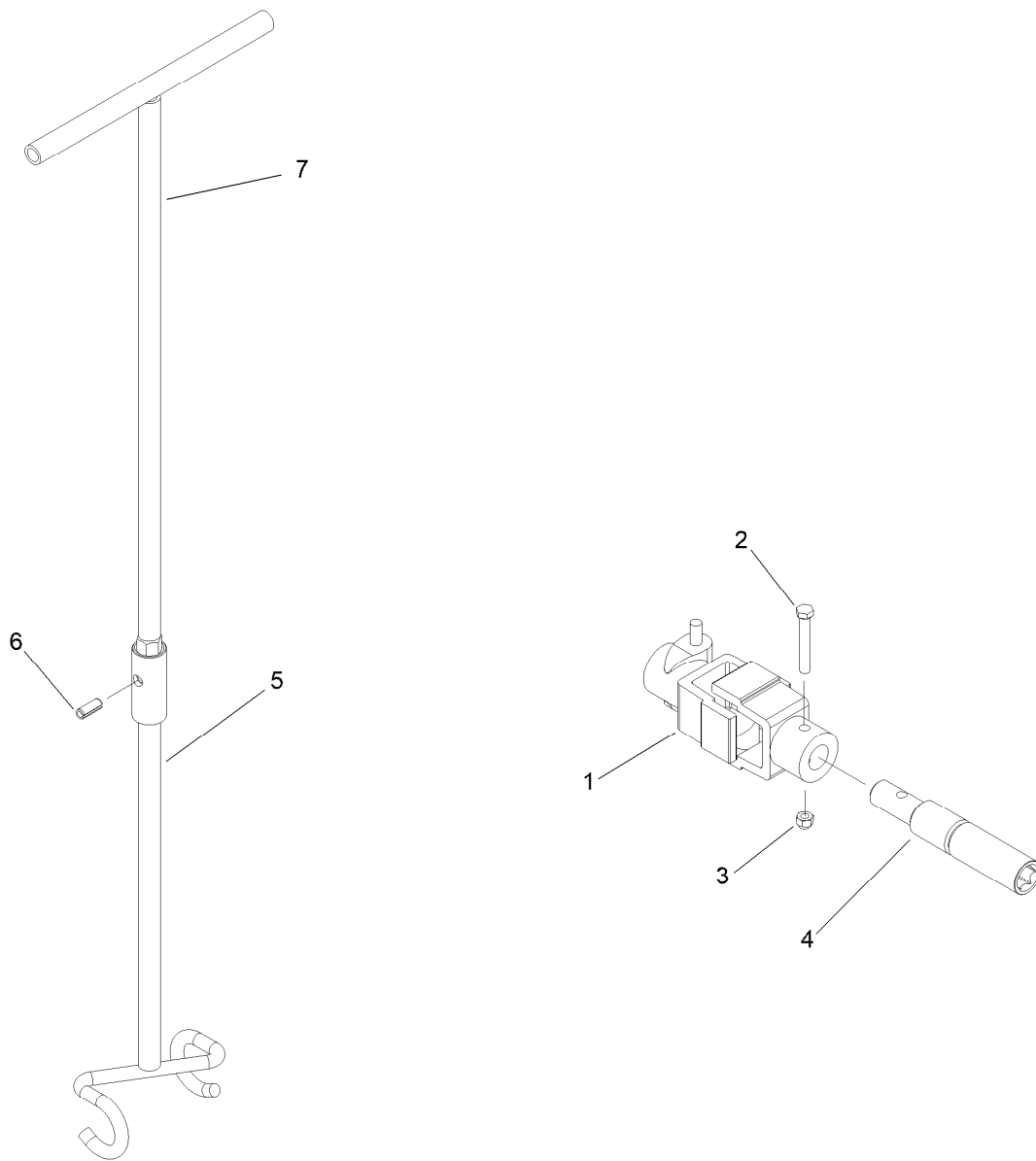
● Not illustrated



Hydraulic Plow Configuration Assembly (continued)

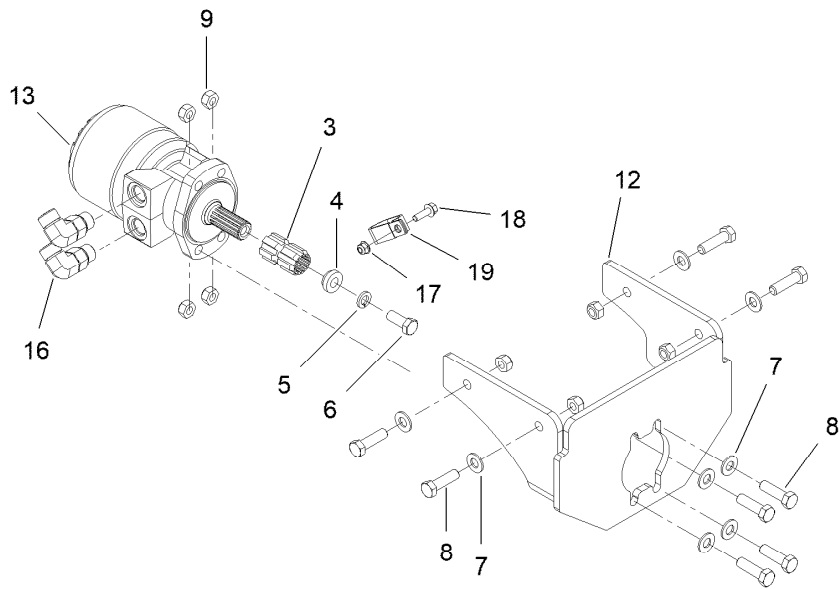
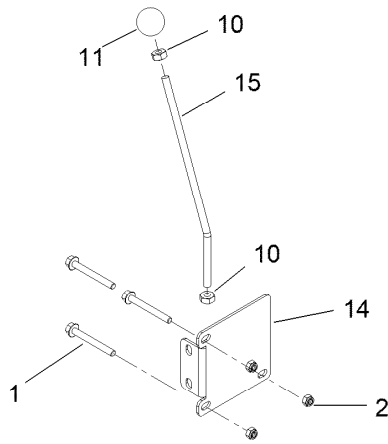
Ref.	Part Number	Qty.	Description	Ref.	Part Number	Qty.	Description
26	130-4310	1	Hydro Valve ASM	33	147-5468	1	Abrasion Sleeve (1.25" X 33")
27	147-5481	1	Hose (100fx-64"-3000)	34	147-5473	1	Hose (100fx90S-33"-3000)
28	147-5454	1	Pump Tandem (1.29/.44 Cir)	35	147-5435	1	Connector (10S-100-120)
29	147-5799	1	Abrasion Sleeve (1.25" X 64")	36	AU112950	1	Protector-Hose
30	127-6591	1	Valve-Control, Vibe Plow	37	AU112950	4	Protector-Hose
31	147-5482	1	Hose (100fx90S-36"-3000)				
32	147-5469	1	Abrasion Sleeve (1.25" X 37")				

● Not illustrated



Tools Assembly

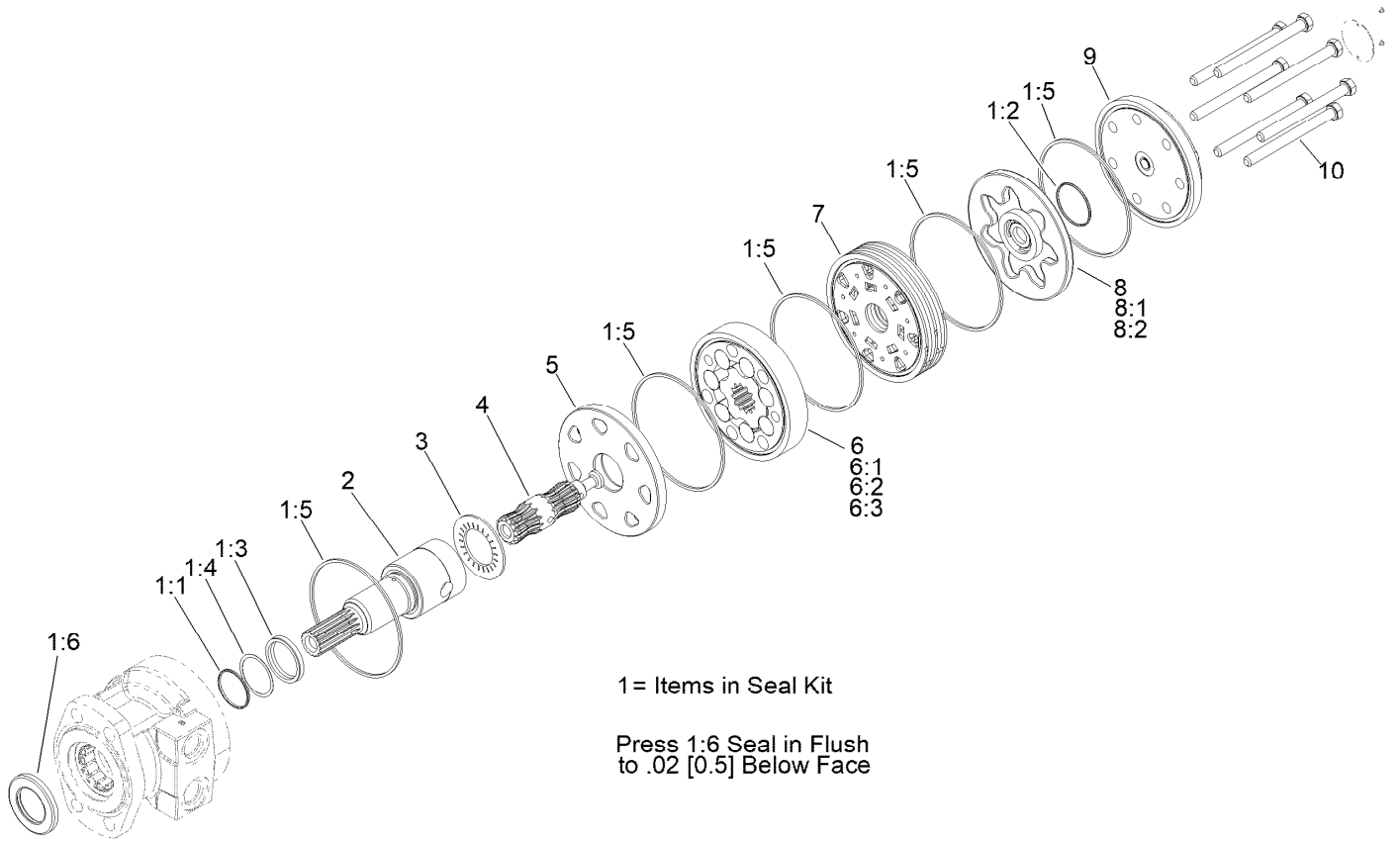
Ref.	Part Number	Qty.	Description
1	AUH511113	1	U-Joint ASM
2	323-47	1	Screw-HH
3	97-1204	1	Nut-Hex
4	147-5745	1	Adapter
5	104-5988-03	1	Tool-Guide, Rod
6	32121-41	1	Pin-Roll
7	106-7740-03	1	Handle-Tool, Guide



Hydrabore Assembly

Ref.	Part Number	Qty.	Description	Ref.	Part Number	Qty.	Description
1	33104-070	3	Screw-HHF	13	AUH673156	1	HYD Motor ASM
2	33024-00	3	Nut-Lock, NI	14	130-4311-03	1	Bracket-Hydro Valve
3	AUH312314	1	Adapter	15	130-4349	1	Lever
4	AUH435886	1	Retainer-Adapter	16	147-5706	2	Connector (10S-10O90)
5	3253-7	1	Washer-Lock	17	104-8300	1	Nut-HF, NI
6	106-0378	1	Screw	18	3234-29	1	Screw-HHF
7	AU496-21053	8	Washer-Flat	19	2412-137	1	Clamp-R, Double
8	121-1524	8	Screw-HH	99	161-0665	1	Hydrabore Decal Kit ●
9	97-1206	8	Locknut	99:1	147-5746	2	Danger Rotating Shaft ●
10	33015-00	2	Nut-Hex	99:2	147-5748	1	Hydra Bore Control ●
11	130-7377	1	Knob-Round	99:3	147-5747	1	California Prop 65 Warning - Parts ●
12	147-5749	1	Mount - Hydrabore				

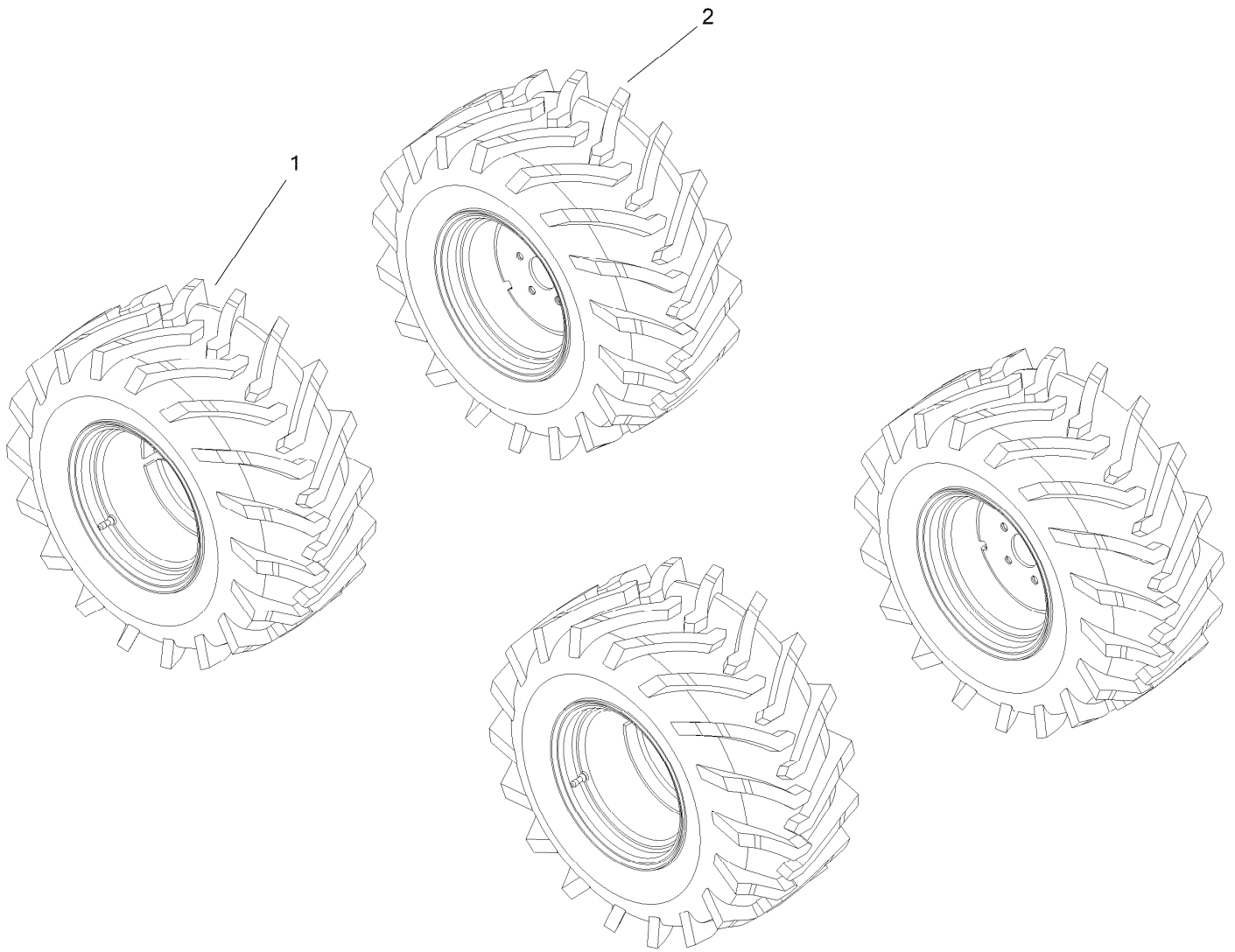
● Not illustrated



Hydraulic Motor Assembly No. AUH673156

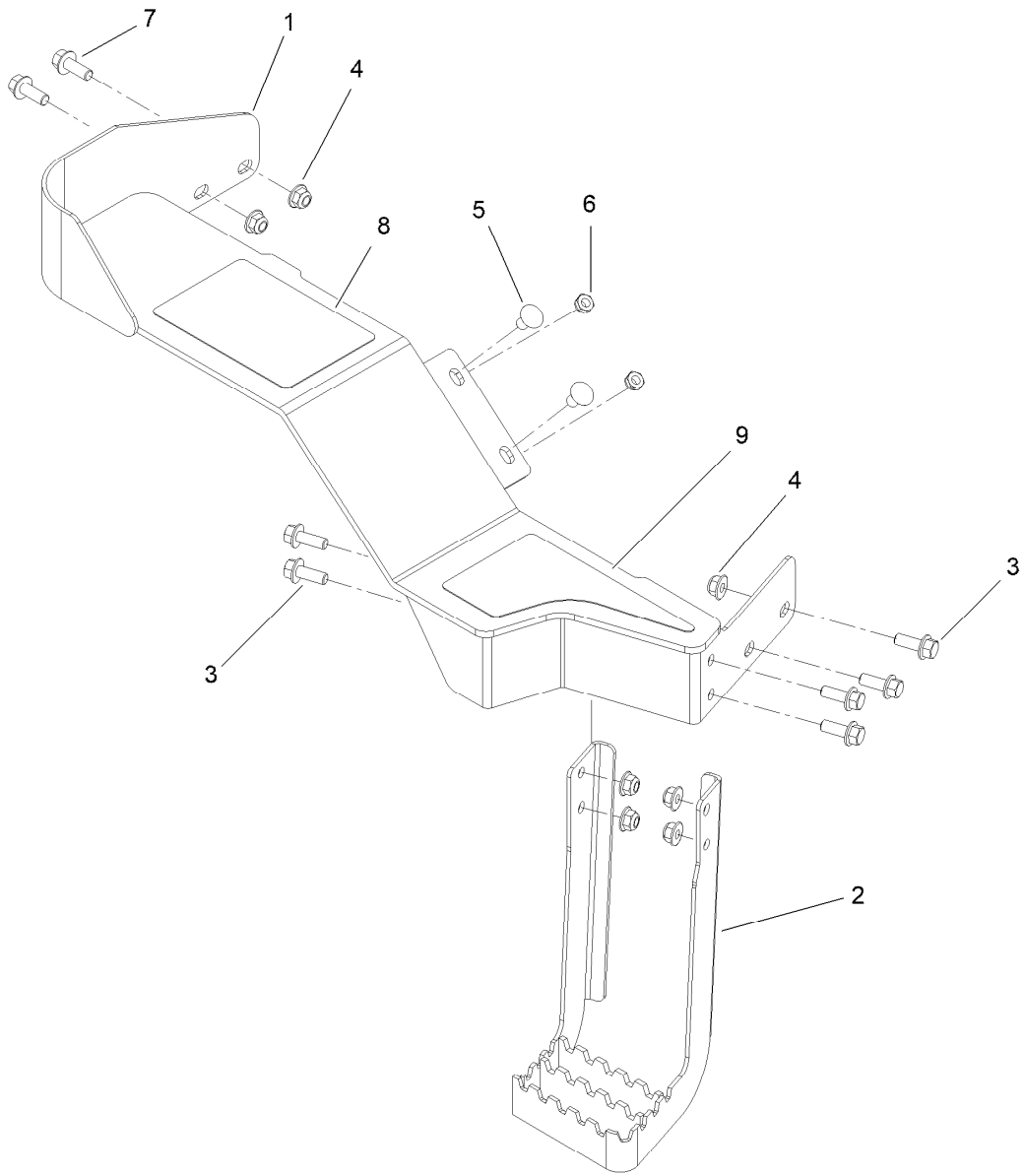
Ref.	Part Number	Qty.	Description	Ref.	Part Number	Qty.	Description
1	112-8405	1	Seal Kit	6	76-0970	1	Rotor Set
1:1		1	Ring-Backup ●	6:1		1	Rotor ●
1:2		1	Seal-Commutator ●	6:2		7	Vane ●
1:3		1	Seal-Shaft ●	6:3		1	Stator ●
1:4		1	Washer-Backup ●	7	92-9755	1	Manifold
1:5		5	Ring-Seal ●	8	106-1982	1	Commutator ASM
1:6		1	Seal-Dirt And Water ●	8:1		1	Commutator ●
2		1	Shaft-Coupling ●	8:2		1	Ring-Commutator ●
3	76-0850	1	Bearing-Thrust	9	76-0940	1	End Cover ASM
4	76-0960	1	Link-Drive	10		7	Bolt-Special ●
5	92-9754	1	Plate-Wear				

● Not serviced separately



26 Inch Tire Assembly

<i>Ref.</i>	<i>Part Number</i>	<i>Qty.</i>	<i>Description</i>
1	147-5757	2	Tire/Wheel 26X12-12, LH
2	147-5756	2	Tire/Wheel 26X12-12, RH



Fender Extension Assembly

<i>Ref.</i>	<i>Part Number</i>	<i>Qty.</i>	<i>Description</i>
1	161-0662	1	Platform-Extension
2	161-0661	1	Step-Platform
3	3234-42	6	Screw-HHF
4	104-8301	8	Nut-HF, NI
5	3231-21	2	Screw-CARR
6	121-4600	2	Nut-Hex
7	3234-11	2	Screw-HHF
8	147-5619	1	Non-Skid
9	147-5620	1	Non-Skid

Attachments and Accessories

For 25545T Maxi Sneaker 370 26in Tire Hydra Borer Plow

Product Name	Model/Part
Maxi Sneaker Trencher Drive (field).....	25531E
Maxi Sneaker Hydra Borer (field).....	25532E
Maxi Sneaker Crumber Kit (field).....	25533E
Maxi Sneaker Boom 24in Dig (field).....	25534E
Maxi Sneaker Boom 36in Dig (field).....	25535E
Maxi Sneaker 23in Wheels, Set Of 4 (field).....	25536E
Maxi Sneaker 26in Wheels, Set Of 4 (field).....	25537E
Maxi Sneaker Reel Carrier, 22in (field)	25538E
Maxi Sneaker 23in Dual Wheel Kit (field)	25539E
Maxi Sneaker 26in Dual Wheel Kit (field)	25540E
Maxi Sneaker Wheel Weight Asm (field).....	25541E
Maxi Sneaker Plow (field)	25542E
Maxi Sneaker Plow Shoe (field).....	25543E



Count on it.