



# Greensmaster<sup>®</sup> 3150

## Traction Unit

Model No. 04357—230001501 and Up

## Parts Catalog

---

### Ordering Replacement Parts

To order replacement parts, please supply: the part number, the quantity, and the description of each part desired.

### Understanding Reference Numbers

Each identified part in an illustration has a reference number. The reference number for a part also appears in the parts list, along with other information about the part.

This catalog uses two special reference number formats, one to indicate parts in a service assembly and another to indicate the quantity of a given part in an illustration.

### Service Assembly Reference Numbers

Parts in service assemblies have reference numbers in the form **a:b**. The **a** represents the reference number of the entire service assembly and the **b** represents a sequential number unique to each part within the service assembly.

For example, a wheel assembly might be identified by reference number **6**, the tire by **6:1**, the valve by **6:2**, and the wheel by **6:3**. When you order the assembly identified by reference number **6**, you receive all parts identified by reference numbers **6:1**, **6:2**, and **6:3**. However, you may also order any part individually.

Reference numbers of this type appear in illustrations and in part lists.

### Reference Numbers Indicating Quantity

In an illustration, if a reference number indicates more than one part, the reference number has the form **nX y**. The **n** represents the quantity of the part, the **X** is the multiplication symbol, and the **y** represents the reference number.

For example, in an illustration, the reference number **2X 37** means that two of the parts identified by reference number **37** are indicated.

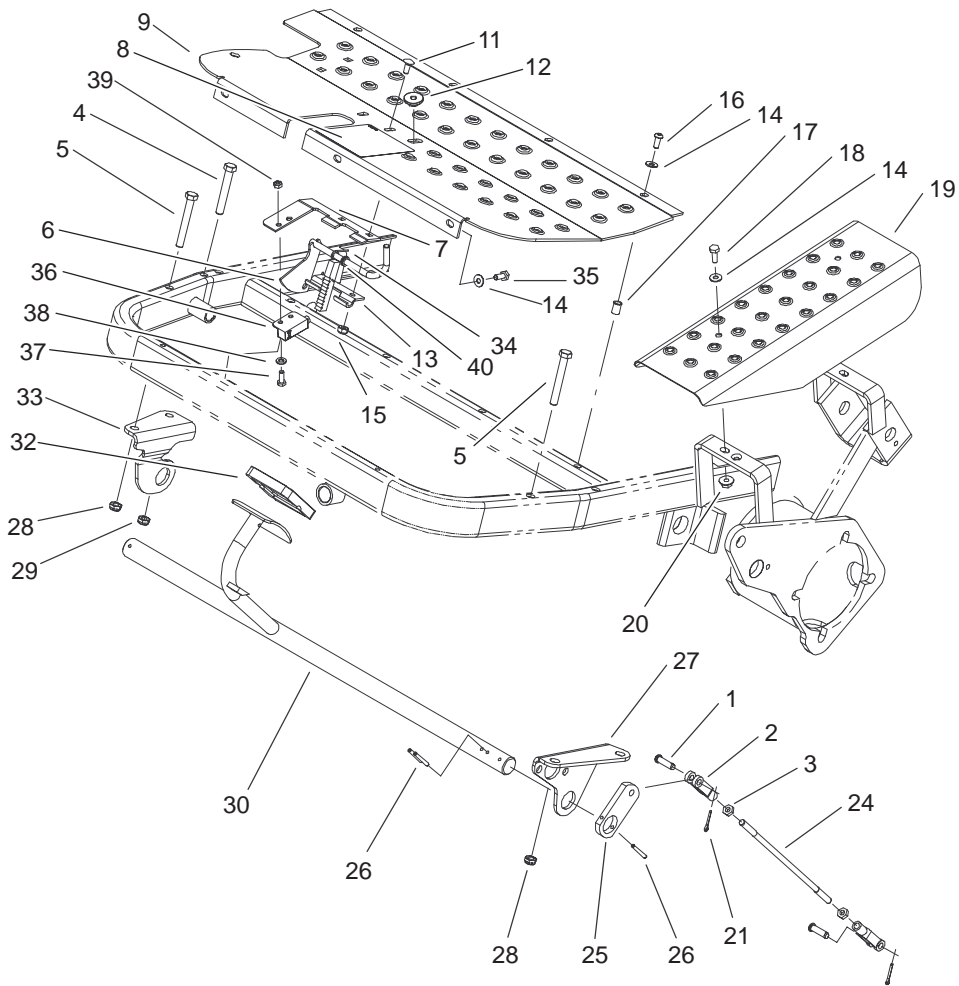
## Contents

<b>Description</b>	<b>Page</b>	<b>Description</b>	<b>Page</b>
Brake Pedal Assembly .....	4	Wire Harness Routing Assembly .....	41
Traction Pedal Assembly .....	5	Hydraulic Schematic .....	42
Front Wheel and Brake Assembly .....	6	Electrical Schematic .....	43
Brake Assembly No. 104–7705 .....	7	Cylinder Assembly	
Hydraulic Wheel Motor Assembly No. 92–9199	8	Briggs and Stratton Model 350447–1331–E1	44
Steering Arm Assembly .....	9	Crankshaft Assembly	
Steering Control Valve Assembly No. 105–0424	10	Briggs and Stratton Model 350447–1331–E1	45
Right Hand Pull Frame Assembly .....	11	Cylinder Head Assembly	
Hydraulic Cylinder Assembly No. 105–3822 ...	13	Briggs and Stratton Model 350447–1331–E1	46
Left Hand Pull Frame Assembly .....	14	Cylinder Head Assembly	
Center Pull Frame Assembly .....	16	Briggs and Stratton Model 350447–1331–E1	47
Hydraulic Cylinder Assembly No. 105–3823 ...	18	Intake Manifold and Rocker Cover Assembly	
Seat Assembly .....	19	Briggs and Stratton Model 350447–1331–E1	48
Neutral System Assembly .....	20	Carburetor Assembly	
Engine Installation Assembly .....	21	Briggs and Stratton Model 350447–1331–E1	49
Hydrostat and Gear Pump Drive Assembly ...	22	Governor Assembly	
Hydrostat Assembly No. 105–0494 .....	23	Briggs and Stratton Model 350447–1331–E1	50
Gear Pump Assembly No. 104–7737 .....	24	Alternator Assembly	
Frame and Battery Assembly .....	25	Briggs and Stratton Model 350447–1331–E1	51
Rear Wheel Assembly .....	26	Fuel Pump, Oil Pump and Dipstick Assembly	
Steering Cylinder Assembly No. 105–0411 ....	27	Briggs and Stratton Model 350447–1331–E1	52
Control Panel Assembly .....	28	Air Cleaner Assembly	
Hydraulic Reservoir and Leak Detector		Briggs and Stratton Model 350447–1331–E1	53
Assembly .....	29	Blower Housing Assembly	
Fuel Tank Assembly .....	30	Briggs and Stratton Model 350447–1331–E1	54
Speed Selector Lever Assembly .....	31	Flywheel Assembly	
Joystick and Console Assembly .....	32	Briggs and Stratton Model 350447–1331–E1	55
Joystick Bracket Assembly .....	33	Starter Assembly	
Hydraulic Manifold Assembly .....	34	Briggs and Stratton Model 350447–1331–E1	56
Manifold Assembly No. 106–9005 .....	35	Starter Assembly	
Hydraulic Traction Assembly .....	36	Briggs and Stratton Model 350447–1331–E1	57
Hydraulic Reel Drive Assembly .....	37	Gasket Assembly	
Reel Motor Assembly No. 100–6426 .....	38	Briggs and Stratton Model 350447–1331–E1	58
Hydraulic Lift Assembly .....	39	Carburetor Overhaul Kit Assembly	
Hydraulic Steering Assembly .....	40	Briggs and Stratton Model 350447–1331–E1	59

## Part Description Abbreviations

Part descriptions in this catalog may include the following abbreviations.

<b>Abbreviation</b>	<b>Meaning</b>	<b>Abbreviation</b>	<b>Meaning</b>
AR .....	as required	HYD .....	hydraulic
ASM .....	assembly	INC .....	incorporated
CARR .....	carriage	LH .....	left hand
DEG .....	degrees	NI .....	nylon insert
FH .....	flat head	PPH .....	Phillips pan head
GA .....	gauge	PTH .....	Phillips truss head
HF .....	hex flange	PTO .....	power take off
HH .....	hex head	RH .....	right hand
HHF .....	hex head flange	SFH .....	slotted fillister head
HLH .....	hex lag head	SHH .....	slotted hex head
HJ .....	hex jam	SQH .....	square head
HOC .....	height-of-cut	SHWH .....	slotted hex washer head
HS .....	hex socket	SPH .....	slotted pan head
HSBH .....	hex socket button head	SRH .....	slotted round head
HSFH .....	hex socket flat head	STD .....	standard
HSH .....	hex socket head	TAP .....	self tapping
HWH .....	hex washer head	TTH .....	Torx truss head
HWHTF .....	hex washer head thread forming	WH .....	wing head

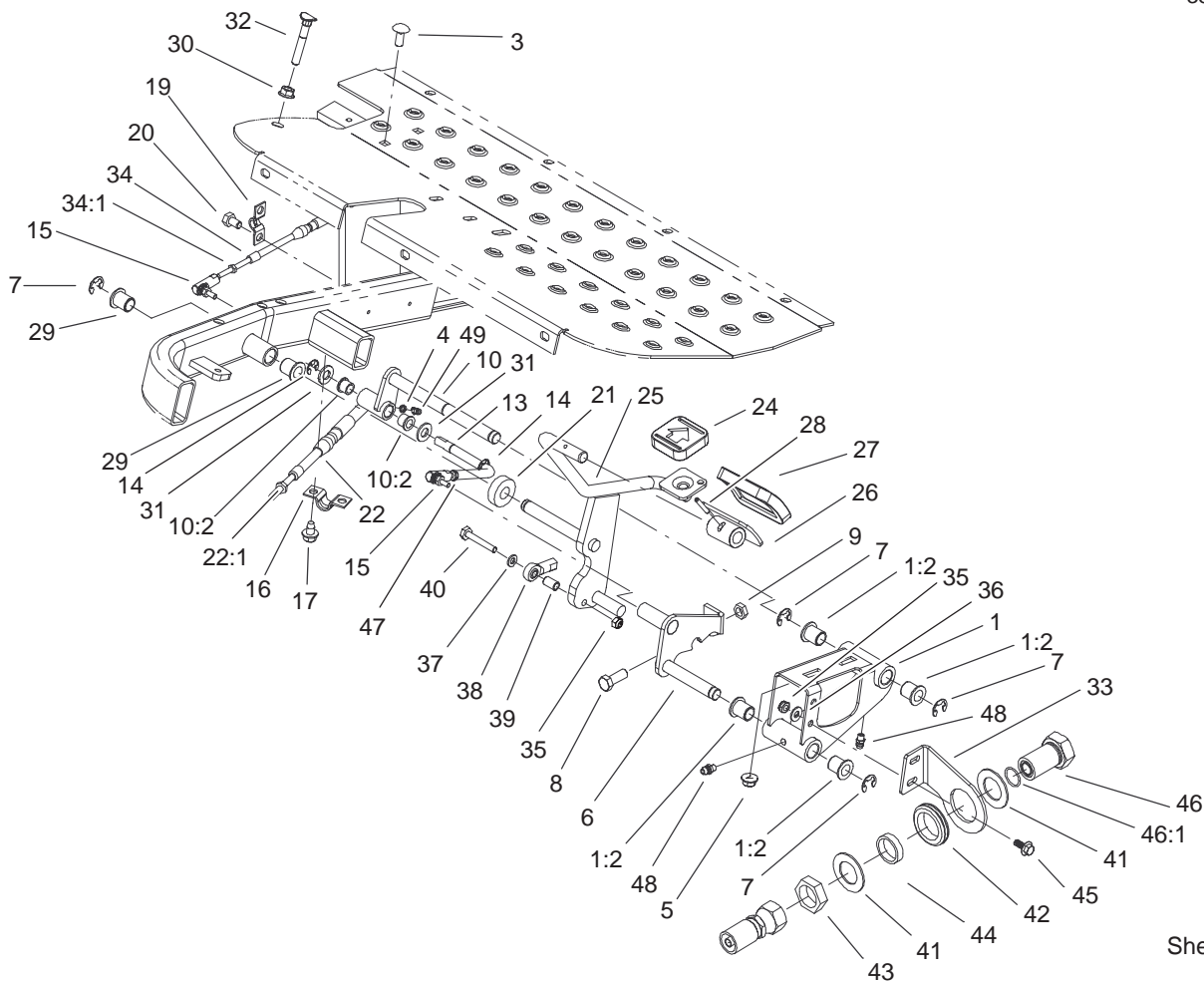


Sheet No.: 2

## Brake Pedal Assembly

Ref. No.	Part No.	Qty.	Description
1	283-61	4	Pin-Yoke
2	282-2	4	Yoke
3	3220-2	4	Nut
4	323-12	1	Screw-HH
5	323-13	3	Screw-HH
6	100-9819	1	Latch ASM
7	100-9821	1	Plate-Switch, Reed
8	93-8062	1	Decal-Brake, Parking
9	105-0463-01	1	Plate-Footrest
11	3229-11	2	Screw-CARR
12	32141-111	1	Nut-Adjusting
13	95-1629	1	Hinge-Lower
14	3256-1	9	Washer-Flat
15	3296-16	2	Nut-Lock, NI
16	3274-31	4	Screw-HSBH
17	32148-6	7	Insert-Nut
18	321-4	2	Screw-HH
19	83-0200-01	1	Plate-Cover, LH
20	32128-33	2	Nut-HF
21	3272-6	4	Pin-Cotter
24	27-2270	2	Rod-Adjustment, Brake
25	10-8100-01	2	Strap-Shaft, Brake
26	32121-35	4	Pin-Roll
27	88-9640-01	1	Bracket-Lift Pivot, LH
28	104-8301	3	Nut-Flange, NI

Ref. No.	Part No.	Qty.	Description
29	3296-59	1	Nut-Lock, NI
30	83-0160	1	Shaft-Brake
32	93-7629	1	Pad-Foot, Brake
33	105-0440-01	1	Bracket-Brake, RH
34	10-8140	1	Spring-Latch, Brake
35	321-3	3	Screw-HH
36	104-2057	1	Sensor
37	48-7620	2	Screw-HH
38	33093-00	2	Washer-Flat
39	49-7810	2	Nut-Lock
40	75-5470	2	Spacer-Bearing

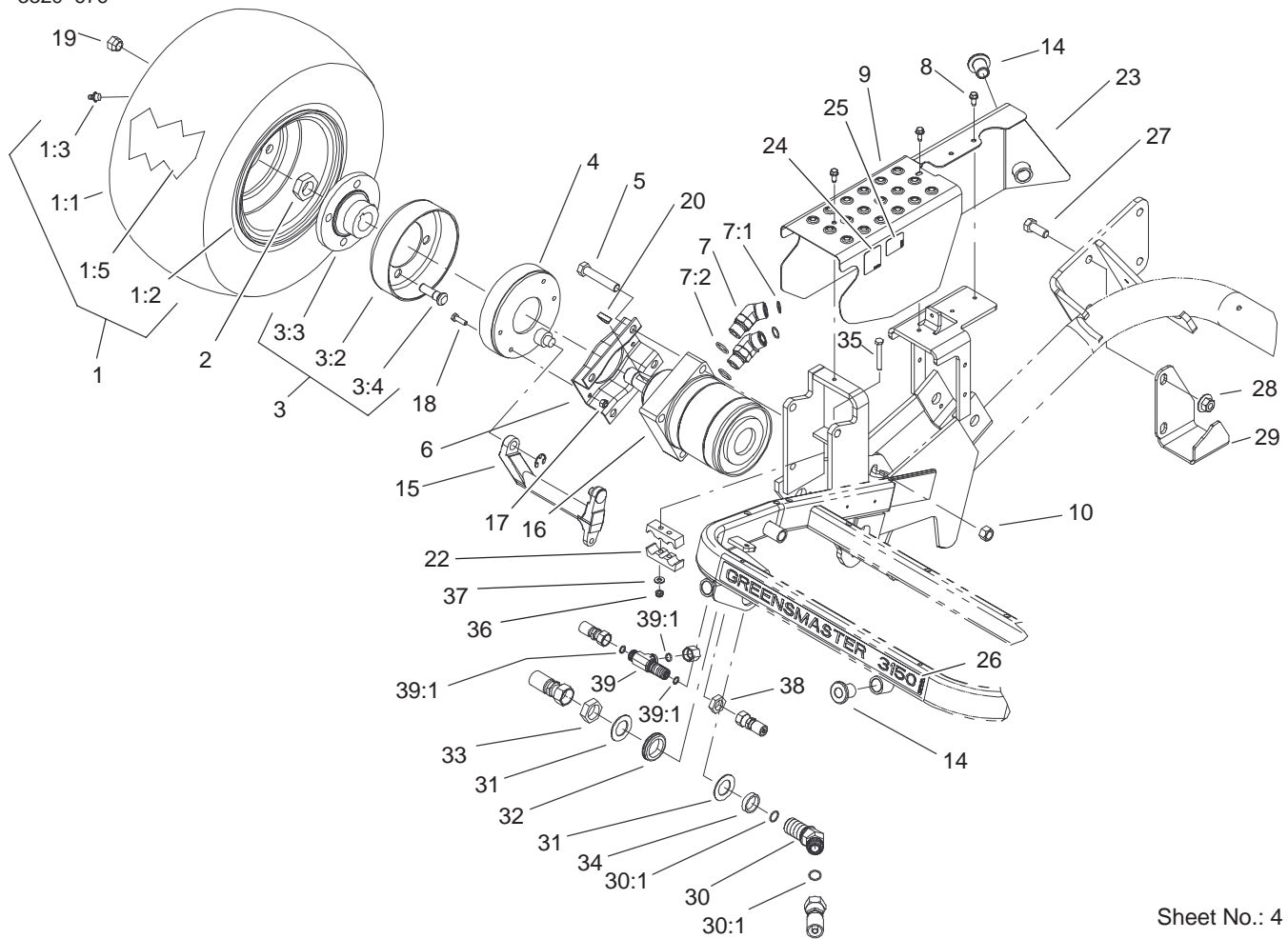


Sheet No.: 3

## Traction Pedal Assembly

Ref. No.	Part No.	Qty.	Description
1	106-4620	1	Pivot Mount ASM
1:2	256-155	4	Bushing-Flange
3	3230-1	2	Bolt-CARR
4	3254-8	1	Washer-Lock
5	104-8300	2	Nut-Flange, NI
6	105-5425	1	Lock-ASM
7	32120-47	4	Ring-Retaining, External
8	323-6	1	Screw-HH
9	3217-7	1	Nut-Hex
10	106-4621	1	Support ASM
10:2	256-116	2	Bushing-Flange
13	105-5430	1	Rod-Connecting
14	32120-18	2	E-Ring
15	2411-38	2	Joint-Ball
16	93-2092	1	Clamp-Cable
17	9266934	2	Screw
19	93-2279	1	Clamp-Cable
20	322-1	2	Screw-HH
21	105-5429	1	Spacer-Pedal, Traction
22	105-5445	1	Cable-Traction
22:1	3220-1	2	Nut-Jam
24	74-9110	1	Pad-Pedal, Reverse
25	105-5421-01	1	Traction Pedal ASM
26	49-6440-03	1	Pedal-Forward

Ref. No.	Part No.	Qty.	Description
27	74-9100	1	Pad-Pedal, Forward
28	32121-45	1	Pin-Spring
29	256-155	2	Bushing-Flange
30	32128-20	1	Nut-HF
31	3256-24	2	Washer-Flat
32	17-9426	1	Screw-Handle
33	105-8290-01	1	Bracket-Bulkhead, Front
34	105-5444	1	Cable-Lock, Neutral
34:1	3219-14	2	Nut-Hex
35	3296-56	3	Nut-Lock, NI
36	3256-22	2	Washer-Flat
37	105-8318	1	Washer-Flat
38	2411-41	1	Joint-Ball
39	80-0650	1	Spacer-Tubular
40	321-10	1	Screw-HH
41	69-9010	2	Washer
42	240-3	1	Grommet-Rubber
43	340-74	1	Locknut-Bulkhead
44	69-9000	1	Spacer
45	99-6810	2	Screw-HH
46	105-5491	1	Tube-HYD
46:1	237-58	1	O-Ring
47	3219-14	1	Nut-Hex
48	302-5	2	Fitting-Grease
49	302-60	1	Fitting-Grease



Sheet No.: 4

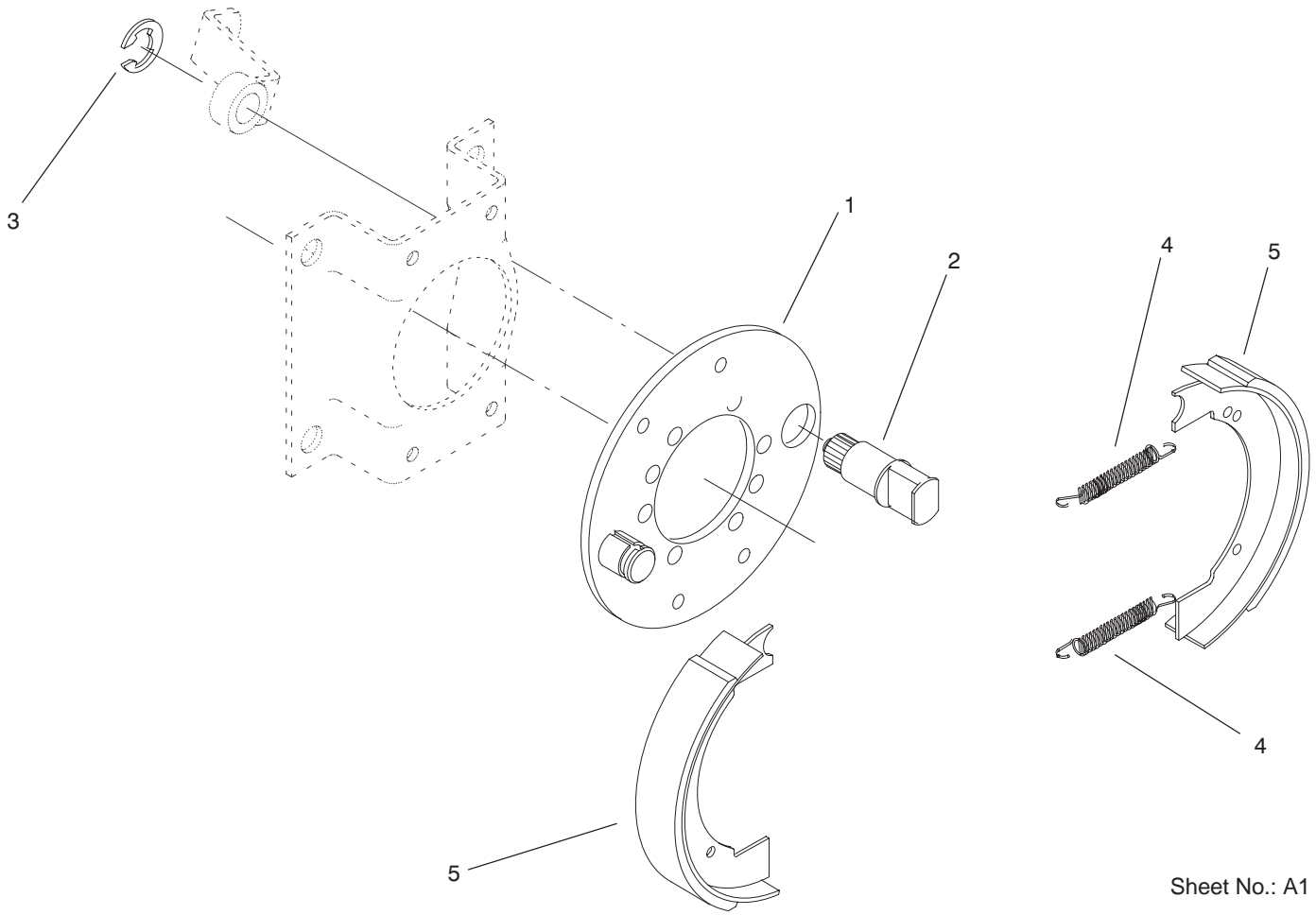
## Front Wheel and Brake Assembly

Ref. No.	Part No.	Qty.	Description
☆1		2	Wheel And Tire ASM
1:1	28-3680	1	Tire
1:2	217-60	1	Rim
1:3	232-27	1	Stem-Valve
1:5	232-37	1	Tube
2	26-3790	2	Nut-Lock
3	10-6821	2	Brake Drum ASM
3:2	10-6850	1	Drum-Brake
3:3	10-6870-03	1	Hub-Wheel
3:4	85-6540	4	Stud-Drive
4	104-7705	2	Brake ASM
5	325-11	8	Screw-HH
6	84-2000-03	2	Bracket-Brake
7	340-14	4	Fitting-HYD, 45°
7:1	237-65	1	O-Ring
7:2	237-80	1	O-Ring
8	32144-10	4	Screw-HWH
9	105-0433-01	1	Channel-Step, RH
10	3296-23	8	Nut-Lock, NI
14	83-1700	3	Bushing-Flange
15	93-2096	2	Lever-Brake
16	92-9199	2	Motor-Wheel, HYD
17	3296-42	8	Nut-Lock, NI
18	321-5	8	Screw-HH
19	242-50	8	Nut-Lug
20	3257-42	2	Key-Woodruff

Ref. No.	Part No.	Qty.	Description
*21	3290-378	3	Tie-Cable
22	93-2509	2	Clamp-Tube
23	105-8282-01	1	Side Shield ASM
24	105-4674	1	Decal-Noise, Ce
25	93-7252	1	Decal
26	105-5470	1	Decal
27	325-5	2	Screw-HH
28	32128-52	2	Locknut-Flange
29	105-8263-01	1	Bracket-Rops
30	340-73	1	Fitting-45, Bulkhead Union
30:1	237-65	2	O-Ring
31	69-9010	2	Washer
32	240-3	1	Grommet-Rubber
33	340-74	1	Locknut-Bulkhead
34	69-9000	1	Spacer
35	321-11	2	Screw-HH
36	3296-56	2	Nut-Lock, NI
37	3256-22	2	Washer-Flat
38	340-70	1	Nut-Lock
39	340-68	1	Fitting-Tee, Bulkhead
39:1	237-22	3	O-Ring

☆ Not serviced separately

\* Not illustrated

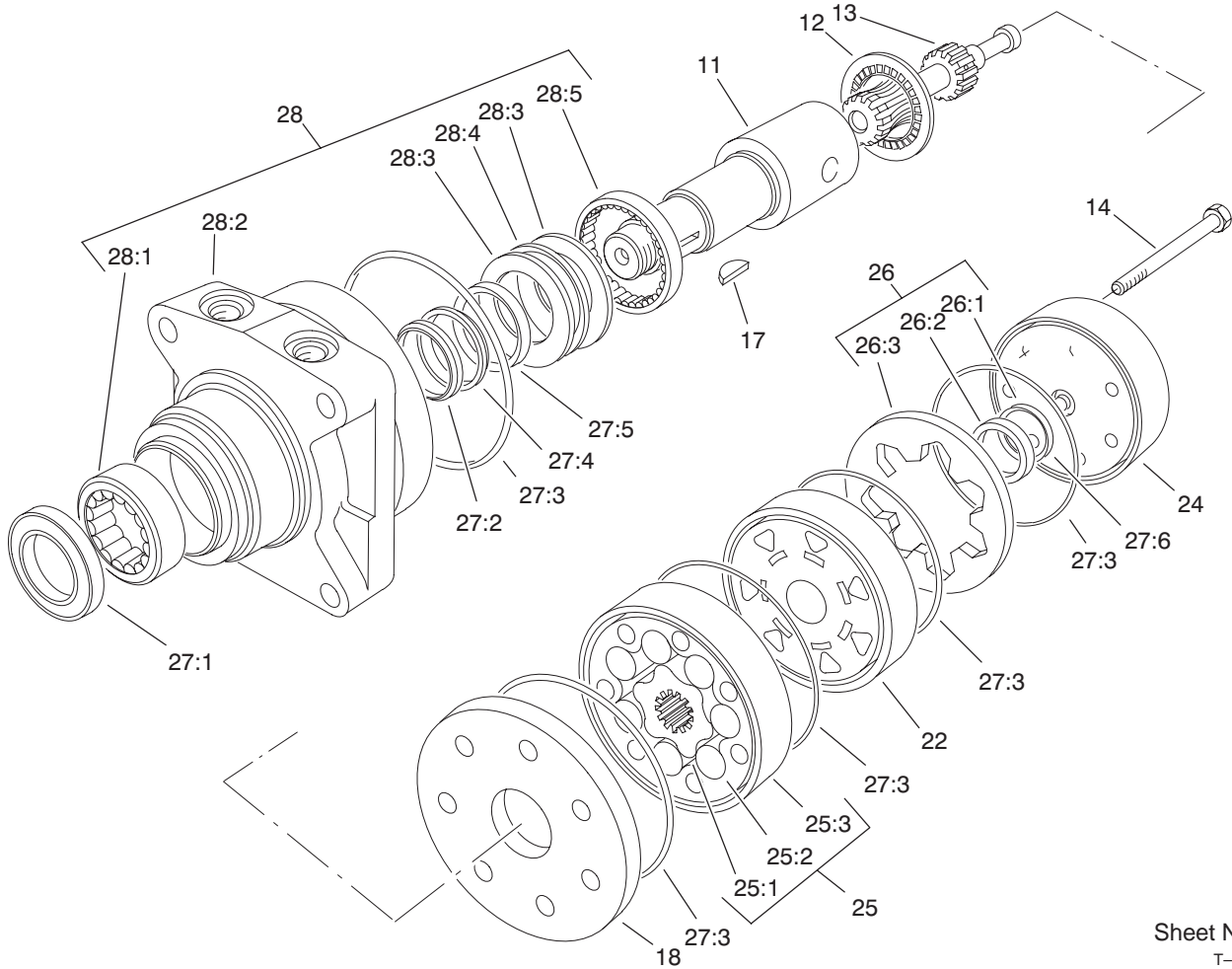


Sheet No.: A1

### Brake Assembly No. 104-7705

Ref. No.	Part No.	Qty.	Description
1	70-9870	1	Plate-Backing
2	104-7707	1	Shaft-Cam, Brake
3	104-7706	1	E Ring-Bowed
4	70-9880	2	Spring-Return
5	70-9840	2	Shoe-Brake

Ref. No.	Part No.	Qty.	Description



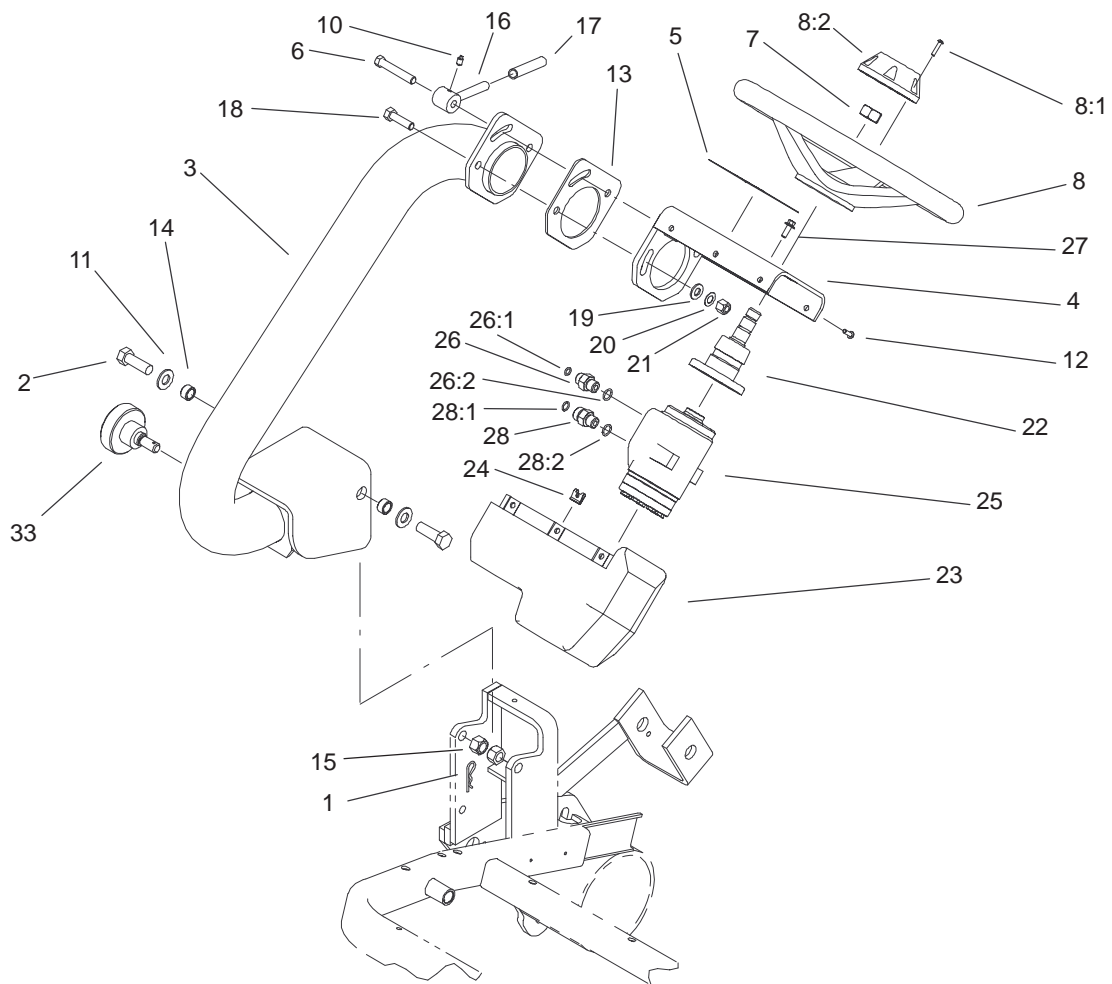
Sheet No.: A2  
T-3356

## Hydraulic Wheel Motor Assembly No. 92-9199

Ref. No.	Part No.	Qty.	Description
1	76-0860	1	Shaft-Coupling
2	76-0850	1	Bearing-Thrust
3	92-9761	1	Link-Drive
4	92-9762	7	Screw-HH
5	3257-42	1	Key-Woodruff
6	76-0870	1	Plate-Wear
7	76-0840	1	Manifold
8	76-0940	1	End Cover ASM
9	92-9763	1	Rotor Set
☆9:1		1	Rotor
☆9:2		1	Vane
☆9:3		1	Stator
10	76-0880	1	Commutator ASM
☆10:1		1	Seal-Commutator
☆10:2		1	Commutator
☆10:3		1	Ring-Commutator
11	94-8178	1	Seal Kit
☆11:1		1	Seal-Dirt And Water
☆11:2		1	Washer-Backup
☆11:3		5	Seal-Ring
☆11:4		1	Washer-Backup
☆11:5		1	Seal-Inner
☆11:6		1	Seal-Commutator
12	76-0810	1	Housing ASM
☆12:1		1	Bearing
☆12:2		1	Housing

Ref. No.	Part No.	Qty.	Description
☆12:3		2	Washer-Thrust
☆12:4		1	Bearing-Thrust
☆12:5		1	Bearing

☆ Not serviced separately

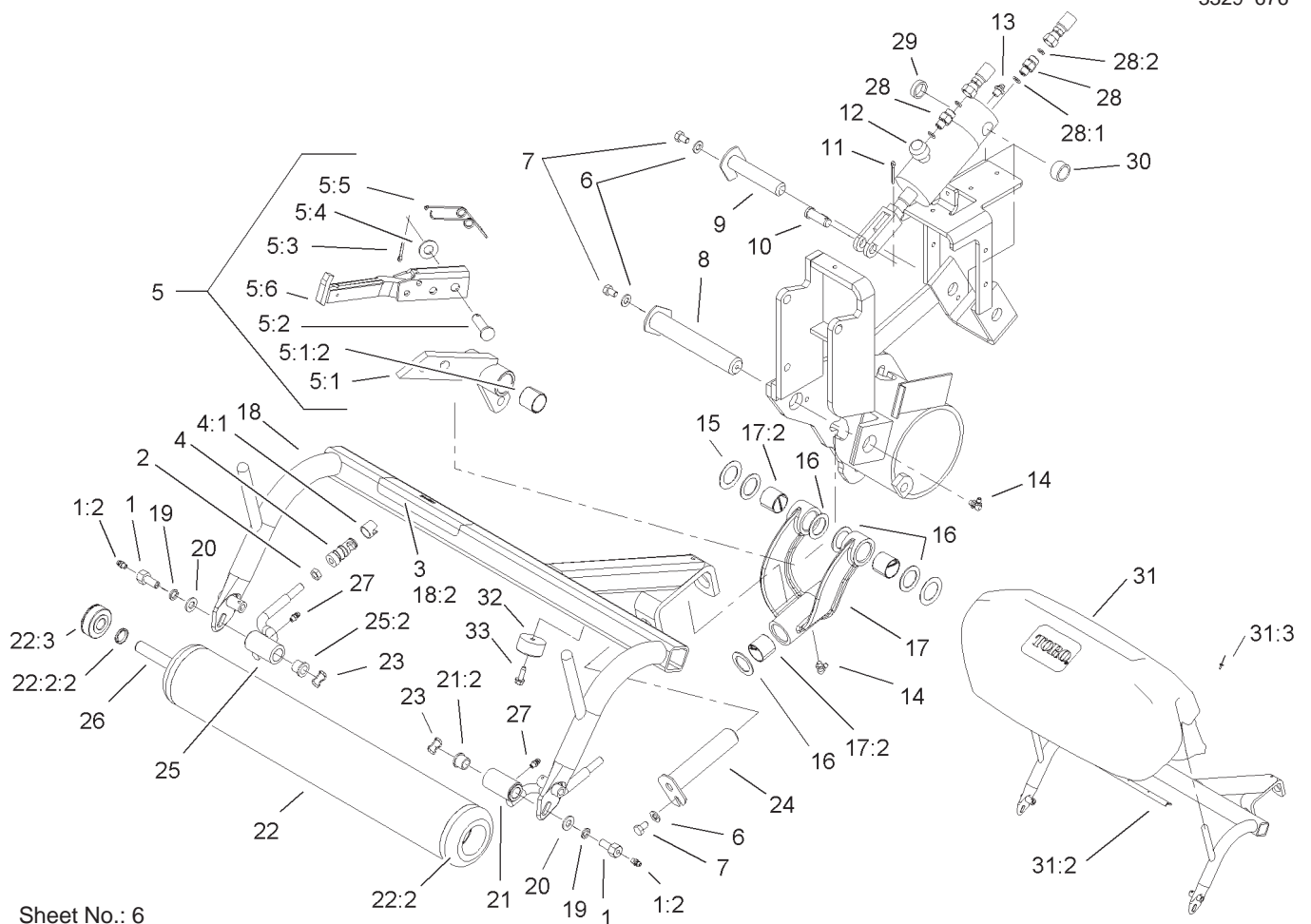


Sheet No.: 5

## Steering Arm Assembly

Ref. No.	Part No.	Qty.	Description	Ref. No.	Part No.	Qty.	Description
1	3290-467	1	Pin-Hair	25	105-0424	1	Valve-Control, Steering
2	325-6	2	Screw-HH	26	340-1	3	Adapter
3	105-0418-01	1	Steering Arm ASM	26:1	237-35	1	O-Ring
4	105-4316-03	1	Steering Mount ASM	26:2	237-42	1	O-Ring
5	93-8063	1	Decal-Caution, Ce	27	33103-016	4	Screw-HHF
5	104-2053	1	Decal-Warning	28	340-2	2	Fitting-HYD, Straight
6	105-4326	1	Screw-HH, LH	28:1	237-22	1	O-Ring
7	94-9952	1	Nut-Hex	28:2	237-42	1	O-Ring
8	75-0560	1	Wheel-Steering	33	105-0484	1	Knob-Steering
8:1	32144-21	1	Screw				
8:2	68-5140	1	Cap-Wheel, Steering				
10	3241-1	1	Screw-Set, SQH				
11	3256-26	2	Washer-Flat				
12	3274-39	6	Screw-HSBH				
13	105-0457	1	Plate-Friction				
14	47-2890	2	Bushing				
15	3296-23	2	Nut-Lock, NI				
16	105-4313	1	Lever ASM				
17	92-6798	1	Cap-Rod, Tilt				
18	323-29	2	Screw-HH				
19	3256-24	2	Washer-Flat				
20	3290-477	2	Washer-Curved				
21	3296-39	2	Nut-Lock, NI				
22	105-0425	1	Steering Column ASM				
23	83-0810	1	Cover-Steering				
24	3290-277	6	Nut-Speed				





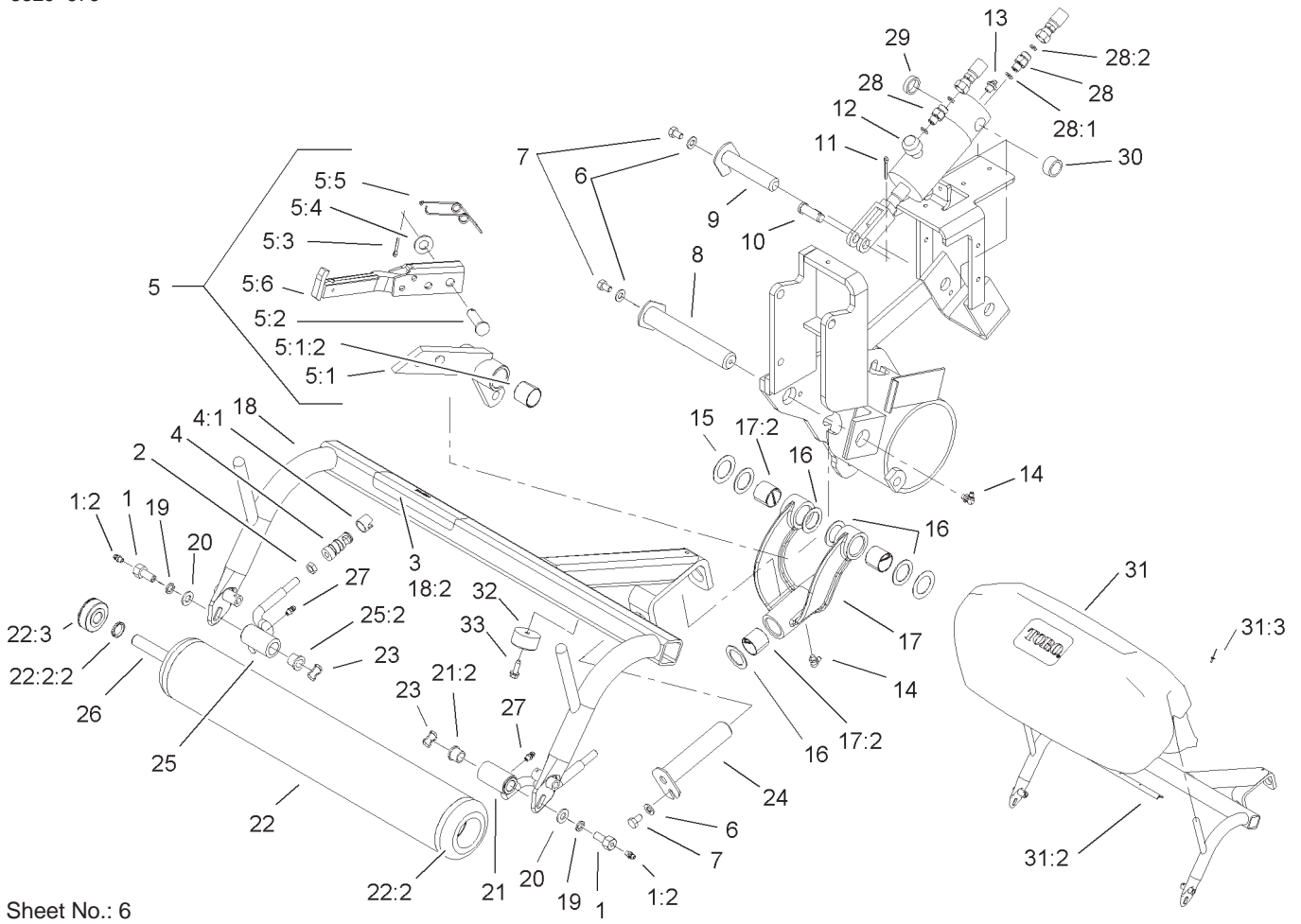
Sheet No.: 6

## Right Hand Pull Frame Assembly

Ref. No.	Part No.	Qty.	Description
1	11-0160	2	Roller Shaft Screw ASM
1:2	302-5	1	Fitting-Grease
2	3220-3	2	Nut-Jam
3	93-8064	1	Decal-Danger, Ce
4	99-1460	2	Ball Joint Receiver ASM
4:1	99-1461	1	Sleeve-Joint, Ball
☆5		1	RH Lift Arm ASM
5:1	62-2440	1	Lift Arm ASM
5:1:2	3-0348	2	Bushing
5:2	63-8750	1	Pin-Pivot
5:3	3272-11	1	Pin-Cotter
5:4	3256-26	1	Washer-Flat
5:5	57-7650	1	Spring-Torsion
5:6	94-5588-01	1	Bar-Lift
6	3256-23	3	Washer-Flat
7	322-1	3	Screw-HH
8	10-6110	1	Pin-Hinge
9	10-6060	1	Pin-Pivot, Ram
10	283-8	1	Pin-Clevis
11	3272-11	1	Pin-Cotter
12	105-3822	1	HYD Cylinder ASM
13	302-2	1	Fitting-Grease
14	302-60	2	Fitting-Grease
15	5-1226	4	Washer

Ref. No.	Part No.	Qty.	Description
16	10-8110	6	Washer-Thrust
17	10-7820	1	Pivot Hinge ASM
17:2	3-0348	4	Bushing
18	104-2055	1	Right Pull Frame ASM
18:2	62-5070	1	Decal-Warning
19	3253-21	2	Washer-Lock
20	3256-24	2	Washer-Flat
21	92-0586	1	Pull Arm ASM
21:2	3-1506	2	Bushing
22	99-4277	1	Roller ASM
☆22:2		2	Hub Yoke ASM
22:2:2	253-83	1	Seal-Oil
22:3	251-141	2	Bearing-Ball
23	3290-317	2	Washer-Spring
24	10-6090	1	Pin-Pivot
25	92-0585	1	Pull Arm ASM
25:2	3-1506	2	Bushing
26	21-8470	1	Shaft-Roller
27	302-5	2	Fitting-Grease
28	340-92	2	Fitting-HYD, Straight
28:1	237-78	1	O-Ring
28:2	237-21	1	O-Ring
29	105-3828	1	Spacer
30	74-3730	1	Spacer-Spindle, Rear
31	106-4687	3	Grass Basket ASM
31:2	104-2607	1	Strip-Basket

☆ Not serviced separately

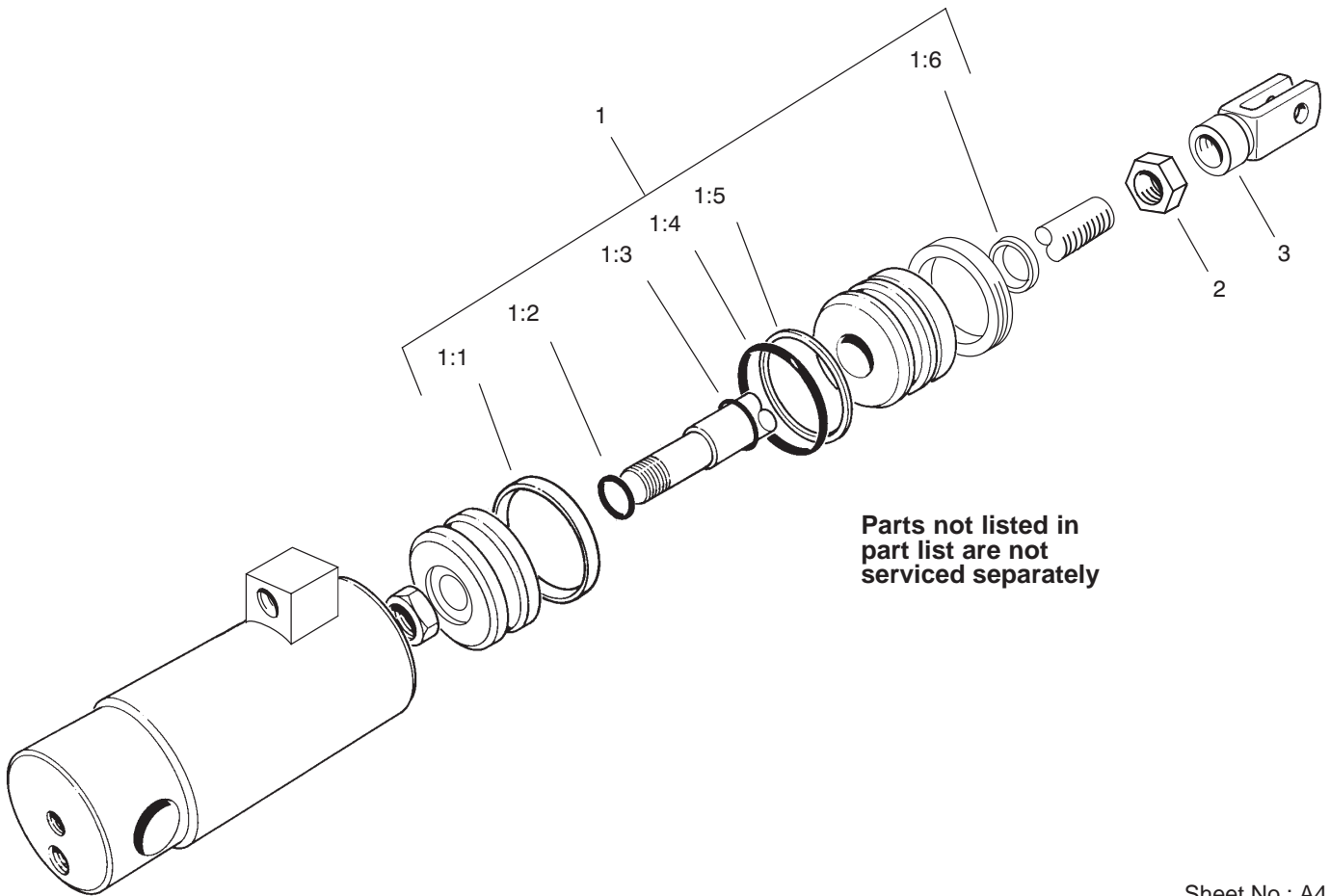


Sheet No.: 6

## Right Hand Pull Frame Assembly (Continued)

Ref. No.	Part No.	Qty.	Description
31:3	3290-382	8	Rivet-Pop
32	94-4548	2	Bumper-Recessed
33	32144-44	2	Screw-HWH

Ref. No.	Part No.	Qty.	Description



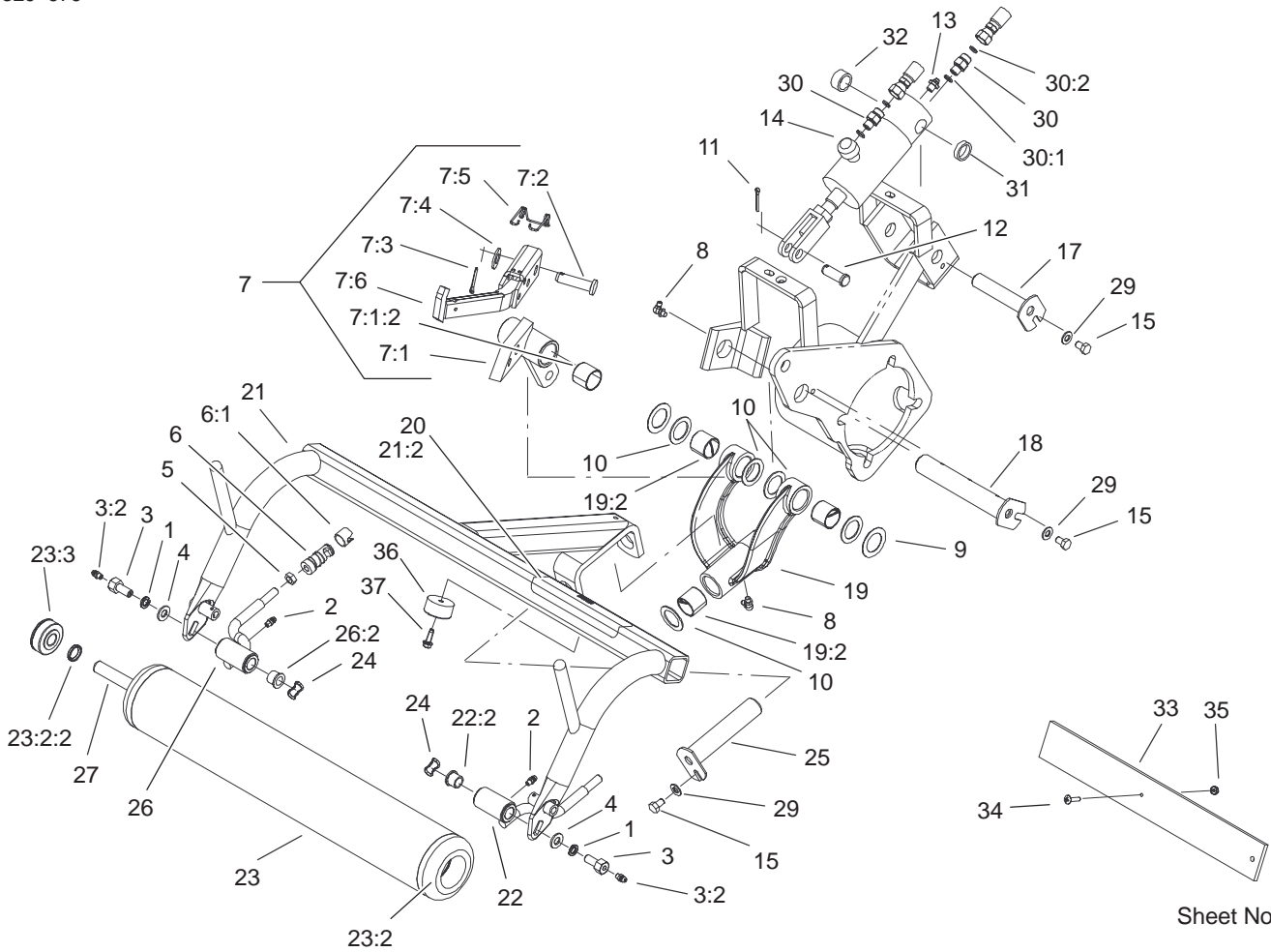
Sheet No.: A4  
T-3847

## Hydraulic Cylinder Assembly No. 105-3822

Ref. No.	Part No.	Qty.	Description
1	105-3836	1	Seal Kit
☆1:1		1	T-Seal
☆1:2		1	O-Ring
☆1:3		1	Seal-Rod
☆1:4		1	O-Ring
☆1:5		1	Backup
☆1:6		1	Seal-Dust
2	3220-6	1	Nut-Jam
3	76-1850	1	Clevis

Ref. No.	Part No.	Qty.	Description

☆ Not serviced separately



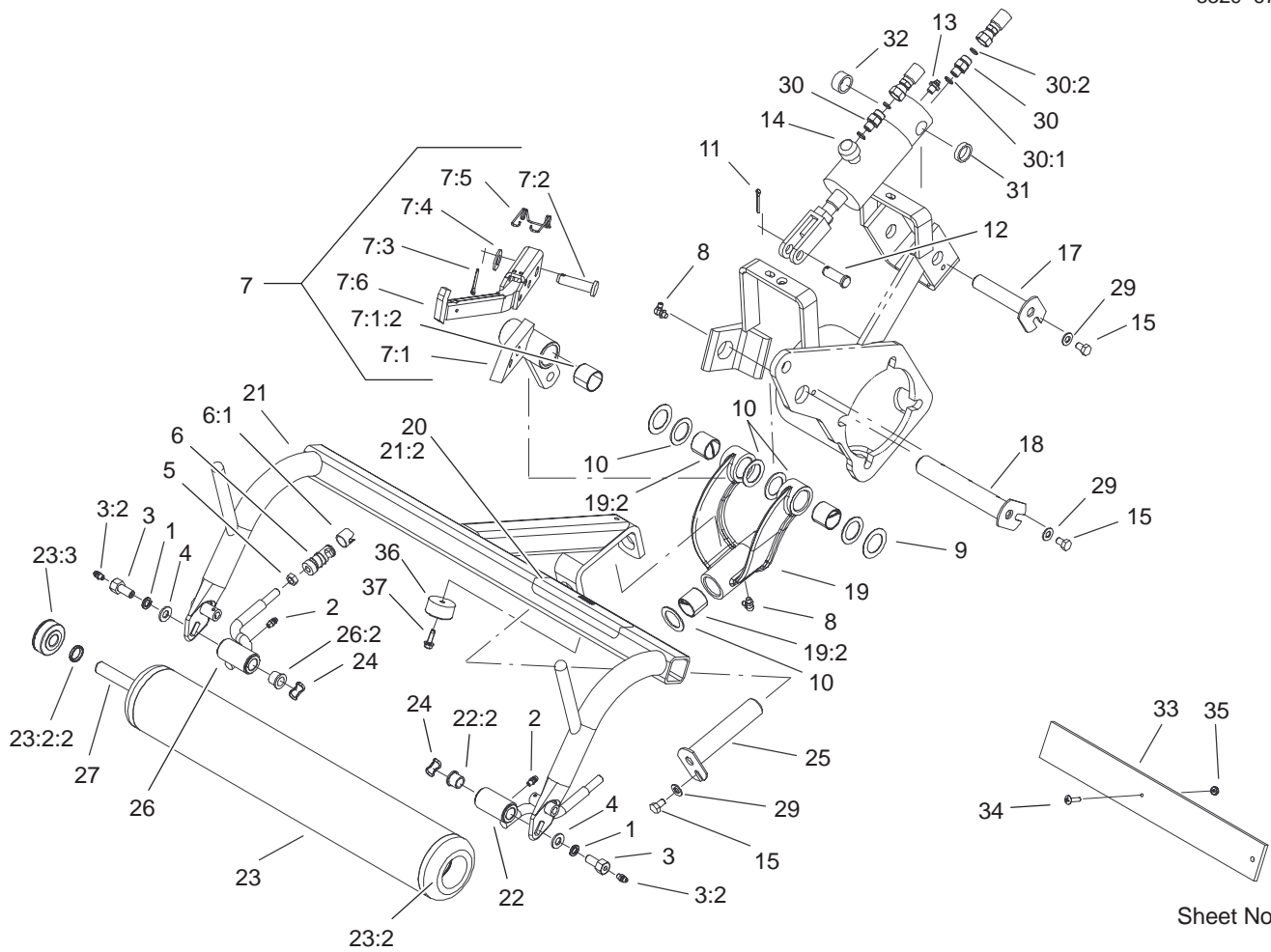
Sheet No.: 7

## Left Hand Pull Frame Assembly

Ref. No.	Part No.	Qty.	Description
1	3253-21	2	Washer-Lock
2	302-5	2	Fitting-Grease
3	11-0160	2	Roller Shaft Screw
3:2	302-5	1	Fitting-Grease
4	3256-24	2	Washer-Flat
5	3220-3	2	Nut-Jam
6	99-1460	2	Ball Joint Receiver
6:1	99-1461	1	Sleeve-Joint, Ball
☆7		1	LH Lift Arm ASM
7:1	62-2460	1	Lift Arm ASM
7:1:2	3-0348	2	Bushing
7:2	63-8750	1	Pin-Pivot
7:3	3272-11	1	Pin-Cotter
7:4	3256-26	1	Washer-Flat
7:5	57-7650	1	Spring-Torsion
7:6	94-5586-01	1	Bar-Lift
8	302-60	2	Fitting-Grease
9	5-1226	4	Washer
10	10-8110	6	Washer-Thrust
11	3272-11	1	Pin-Cotter
12	283-8	1	Pin-Clevis
13	302-2	1	Fitting-Grease
14	105-3822	1	HYD Cylinder ASM
15	322-1	3	Screw-HH

Ref. No.	Part No.	Qty.	Description
17	10-6060	1	Pin-Pivot, Ram
18	10-6110	1	Pin-Hinge
19	10-7820	1	Pivot Hinge ASM
19:2	3-0348	4	Bushing
20	93-8064	1	Decal-Danger, Ce
21	104-2054	1	Left Pull Frame ASM
21:2	62-5070	1	Decal-Warning
22	92-0586	1	Pull Arm ASM
22:2	3-1506	2	Bushing
23	99-4277	1	Roller ASM
☆23:2		2	Hub Yoke ASM
23:2:2	253-83	1	Seal-Oil
23:3	251-141	2	Bearing-Ball
24	3290-317	2	Washer-Spring
25	10-6090	1	Pin-Pivot
26	92-0585	1	Pull Arm ASM
26:2	3-1506	2	Bushing
27	21-8470	1	Shaft-Roller
29	3256-23	3	Washer-Flat
30	340-92	2	Fitting-HYD, Straight
30:1	237-78	1	O-Ring
30:2	237-21	1	O-Ring
31	105-3828	1	Spacer
32	74-3730	1	Spacer-Spindle, Rear
33	65-8320	1	Bar-Gauge
34	32122-22	1	Screw-HH

☆ Not serviced separately

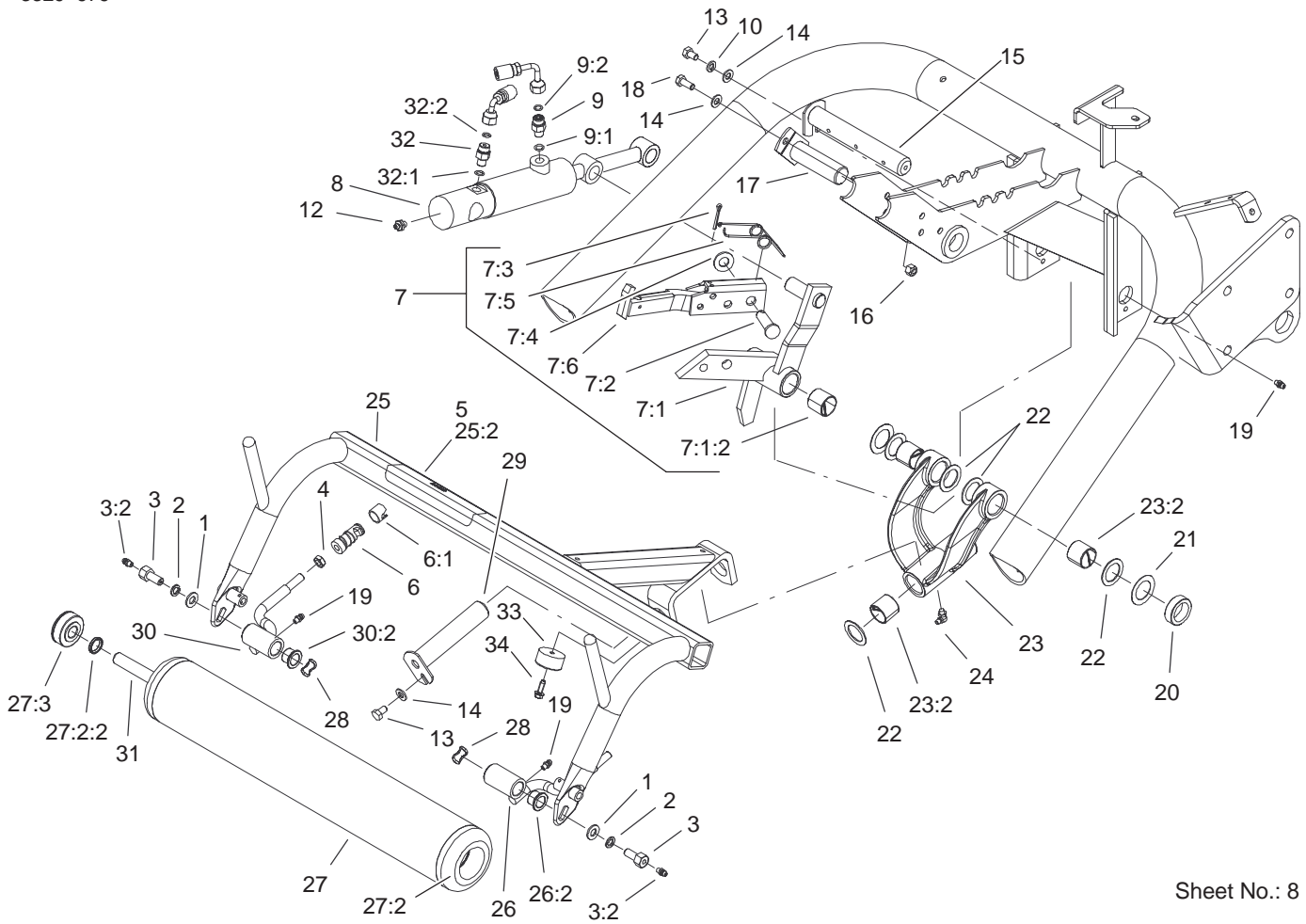


Sheet No.: 7

### Left Hand Pull Frame Assembly (Continued)

Ref. No.	Part No.	Qty.	Description
35	3219-14	1	Nut-Hex
36	94-4548	2	Bumper-Recessed
37	32144-44	2	Screw-HWH

Ref. No.	Part No.	Qty.	Description



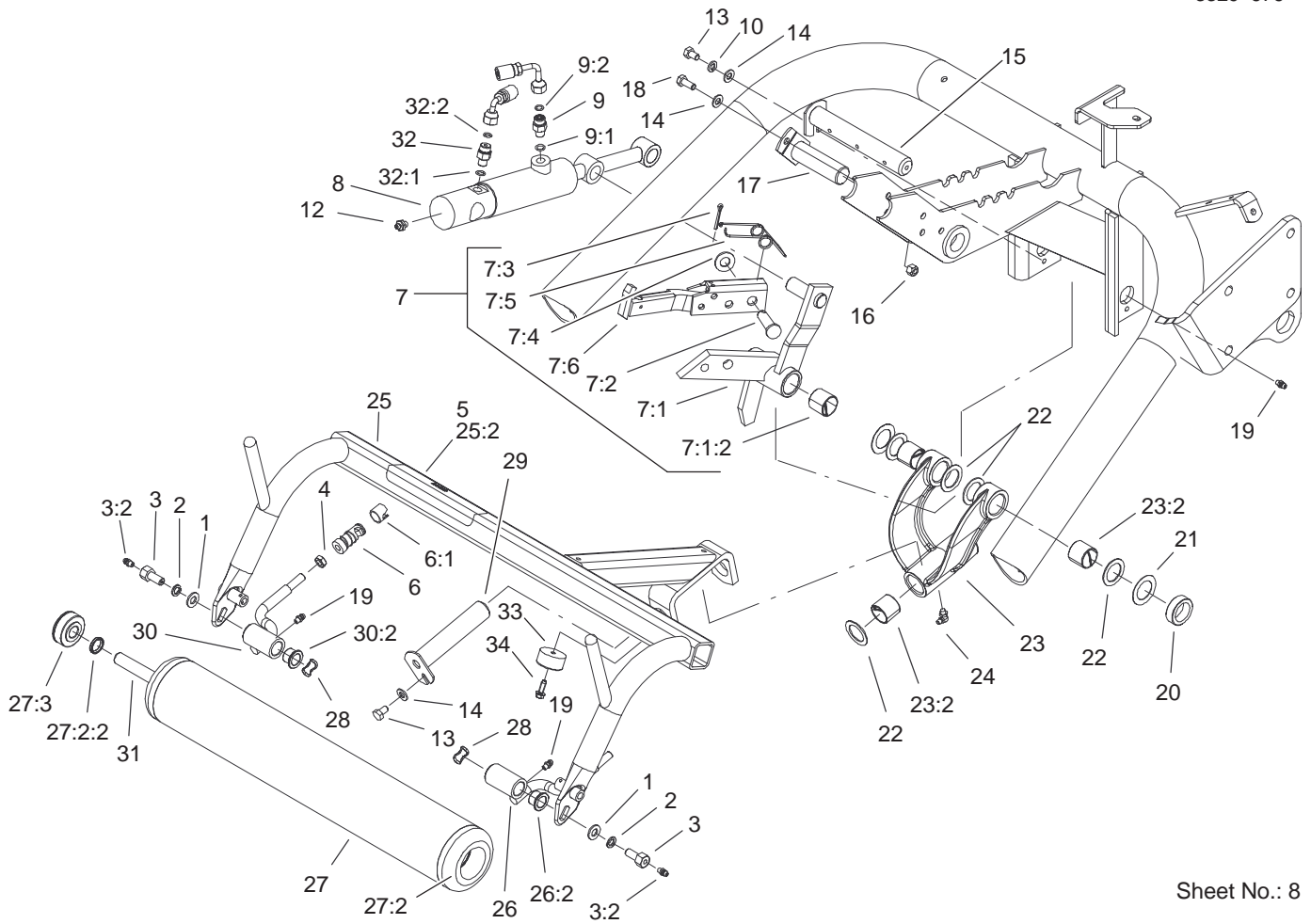
Sheet No.: 8

## Center Pull Frame Assembly

Ref. No.	Part No.	Qty.	Description
1	3256-24	2	Washer-Flat
2	3253-21	2	Washer-Lock
3	11-0160	2	Roller Shaft Screw
3:2	302-5	1	Fitting-Grease
4	3220-3	2	Nut-Jam
5	93-8064	1	Decal-Danger, Ce
6	99-1460	2	Ball Joint Receiver ASM
6:1	99-1461	1	Sleeve-Joint, Ball
☆7		1	Center Lift Arm ASM
7:1	68-5380	1	Center Lift Arm ASM
7:1:2	3-0348	2	Bushing
7:2	63-8750	1	Pin-Pivot
7:3	3272-11	1	Pin-Cotter
7:4	3256-26	1	Washer-Flat
7:5	57-7650	1	Spring-Torsion
7:6	62-2420-01	1	Bar-Lift
8	105-3823	1	HYD Cylinder ASM
9	340-92	1	Fitting-HYD, Straight
9:1	237-78	1	O-Ring
9:2	237-21	1	O-Ring
10	3253-4	1	Washer-Lock
12	302-2	1	Fitting-Grease
13	322-1	2	Screw-HH
14	3256-23	3	Washer-Flat

Ref. No.	Part No.	Qty.	Description
15	27-2550	1	Pin-Hinge
16	3296-29	1	Nut-Lock, NI
17	68-5560	1	Pin-Cylinder, Pivot
18	322-3	1	Screw-HH
19	302-5	3	Fitting-Grease
20	93-2384	1	Spacer-Carrier
21	5-1226	4	Washer
22	10-8110	6	Washer-Thrust
23	105-0452	1	Pivot Hinge ASM
23:2	3-0348	4	Bushing
24	302-60	1	Fitting-Grease
25	105-0451	1	Rear Pull Frame ASM
25:2	62-5070	1	Decal-Warning
26	92-0586	1	Pull Arm ASM
26:2	3-1506	2	Bushing
27	99-4277	1	Roller ASM
☆27:2		2	Hub Yoke ASM
27:2:2	253-83	1	Seal-Oil
27:3	251-141	2	Bearing-Ball
28	3290-317	2	Washer-Spring
29	10-6090	1	Pin-Pivot
30	92-0585	1	Pull Arm ASM
30:2	3-1506	2	Bushing
31	21-8470	1	Shaft-Roller
32	95-1639	1	Fitting-HYD
32:1	237-78	1	O-Ring

☆ Not serviced separately

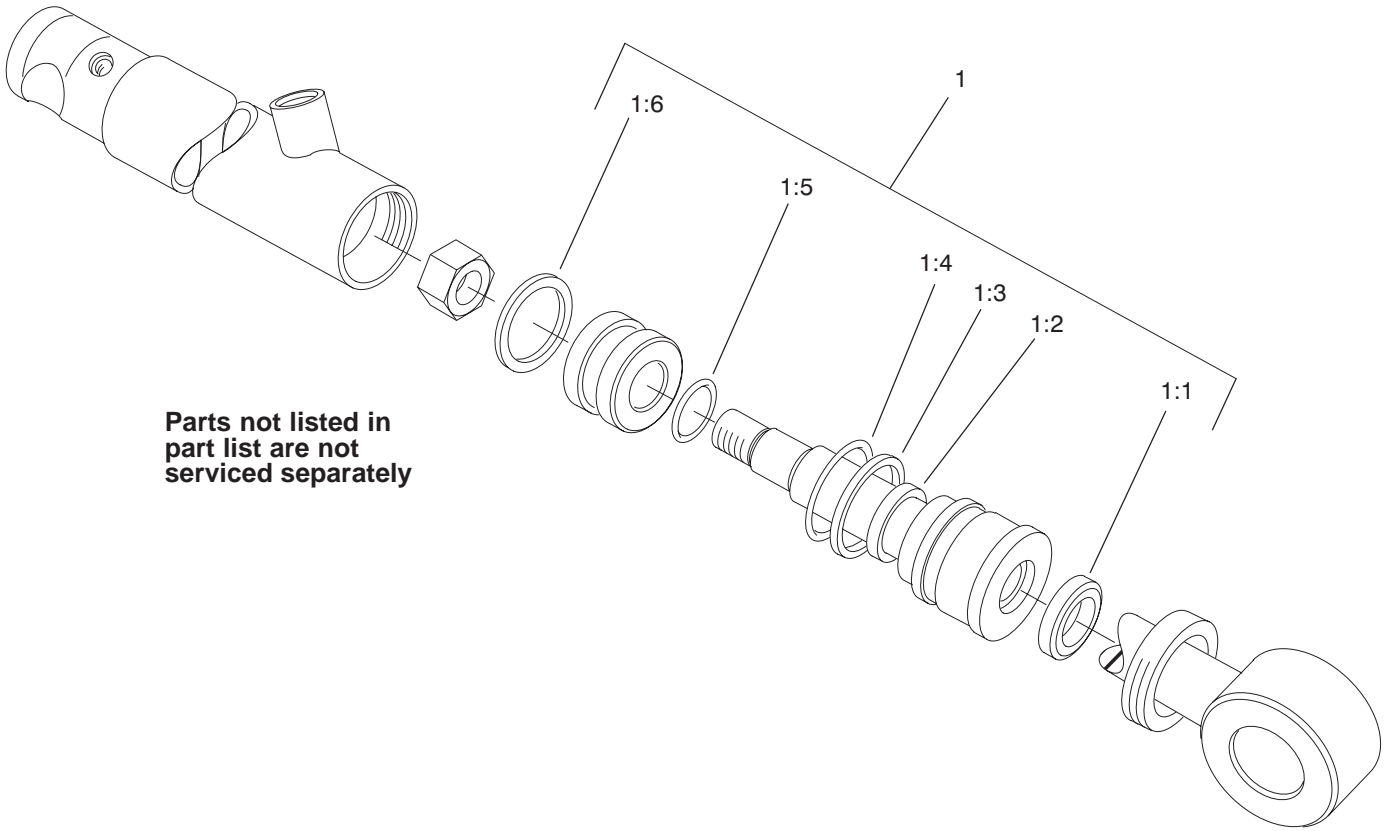


Sheet No.: 8

### Center Pull Frame Assembly (Continued)

Ref. No.	Part No.	Qty.	Description
32:2	237-21	1	O-Ring
33	94-4548	2	Bumper-Recessed
34	32144-44	2	Screw-HWH

Ref. No.	Part No.	Qty.	Description



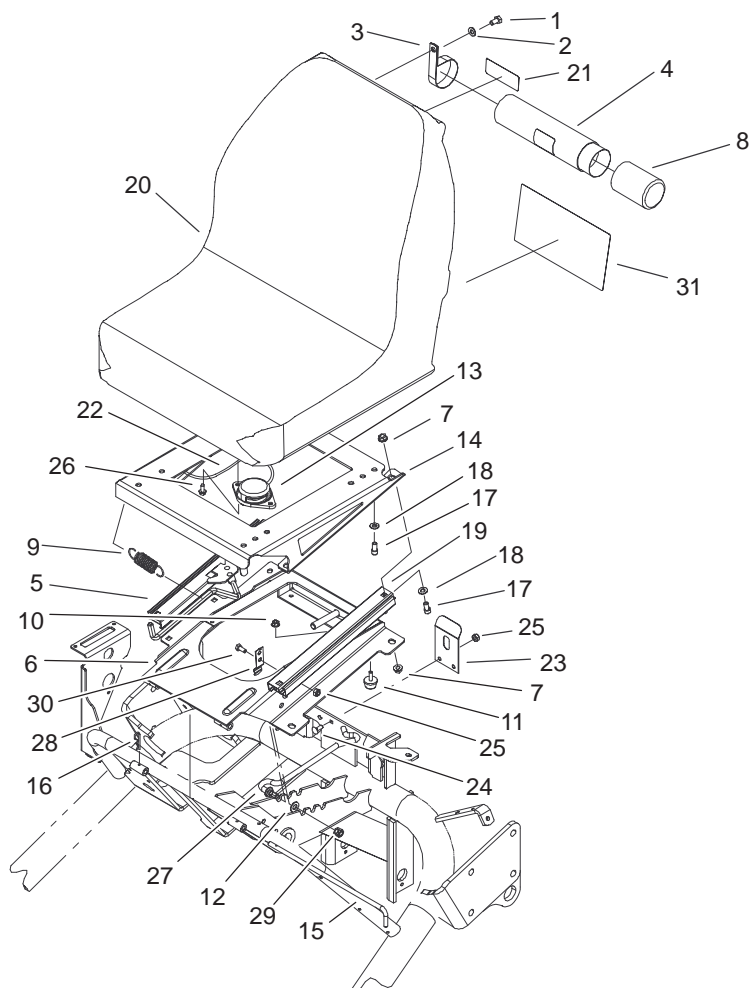
Sheet No.: A5  
T-3876

## Hydraulic Cylinder Assembly No. 105-3823

Ref. No.	Part No.	Qty.	Description
1	105-3835	1	Seal Kit
☆1:1		1	Seal-Dust
☆1:2		1	Seal-Rod
☆1:3		1	Backup
☆1:4		1	O-Ring
☆1:5		1	O-Ring
☆1:6		1	T-Seal

Ref. No.	Part No.	Qty.	Description

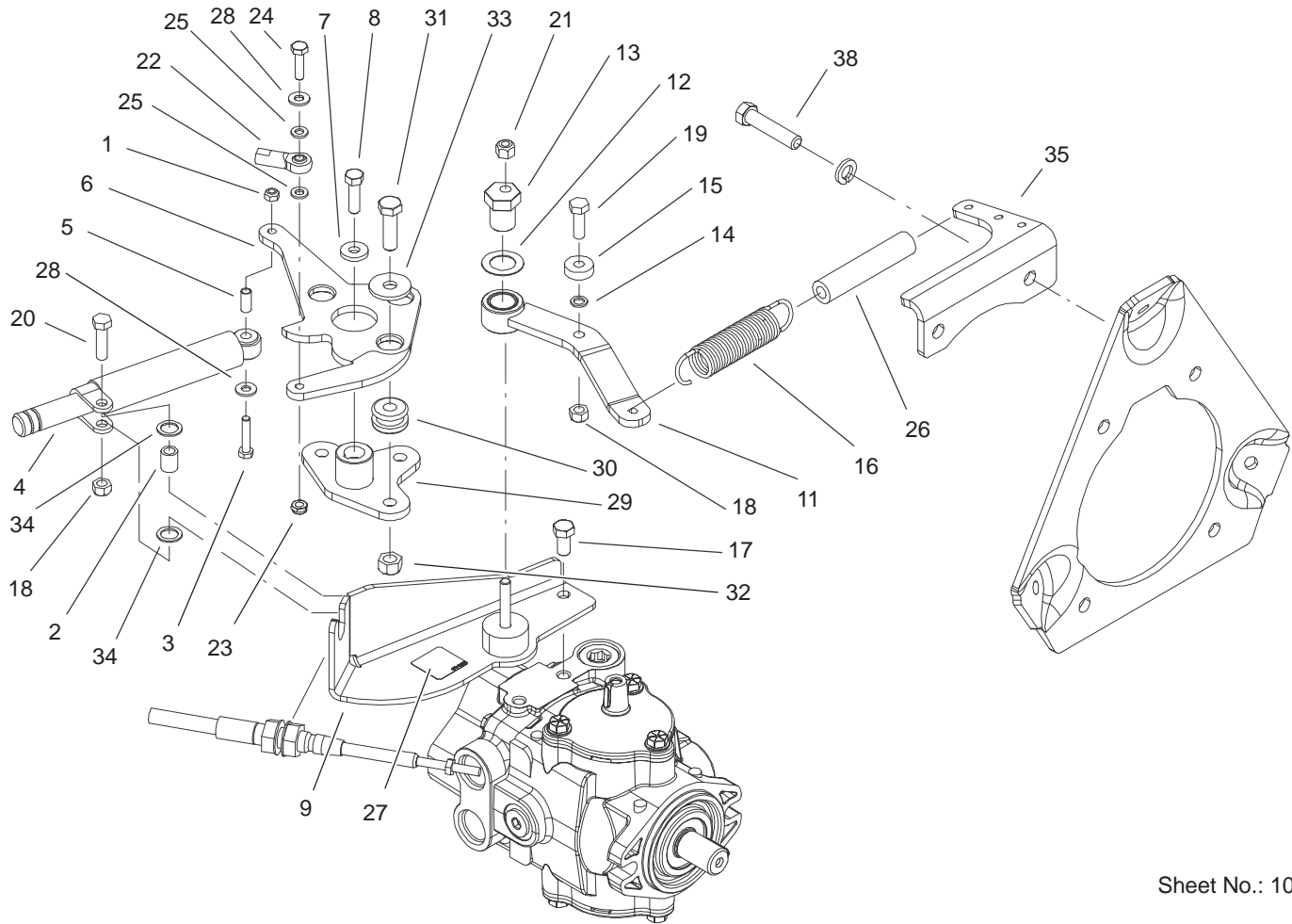
☆ Not serviced separately



Sheet No.: 9

## Seat Assembly

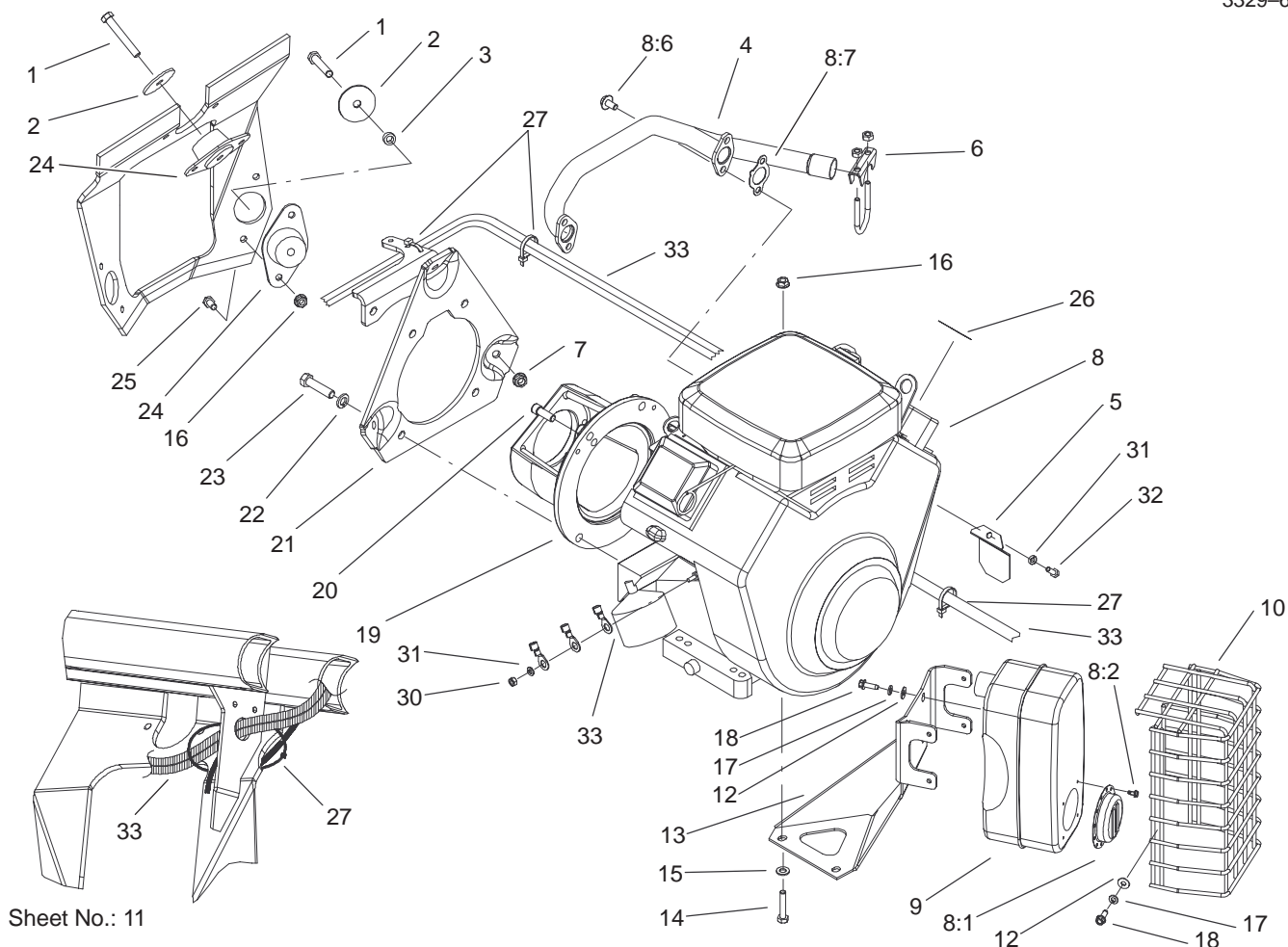
Ref. No.	Part No.	Qty.	Description	Ref. No.	Part No.	Qty.	Description
1	322-2	2	Screw-HH	27	106-4643	1	Rod-Prop, Seat
2	3256-23	2	Washer-Flat	28	68-5310	1	Clip-Rod, Prop
3	2412-133	2	R-Clamp	29	3296-39	1	Nut-Lock, NI
4	104-7050	1	Housing-Manual	30	321-3	2	Screw-HH
5	105-8265	1	Adjuster-Seat	31	105-8291	1	Decal-Service
6	105-0464-03	1	Seat Plate ASM	31	105-8292	1	Decal-Spanish
7	32128-25	8	Nut-Flange	31	105-8293	1	Decal-French
8	104-7048	1	Cap-Housing	31	105-8296	1	Decal-Italian
9	88-6330	1	Spring-Extension	31	105-8295	1	Decal-Swedish
10	32128-33	2	Nut-HF	31	105-8294	1	Decal-German
11	1-523420	2	Bumper	31	105-8297	1	Decal-Portuguese
12	3256-24	1	Washer-Flat	31	105-8298	1	Decal-Norwegian
13	92-6282	1	Switch-Seat	31	105-8299	1	Decal-Finnish
14	105-0466-03	1	Plate-Seat, Upper	31	105-8300	1	Decal-Danish
15	105-0483	1	Rod-Pivot, Seat	31	105-8301	1	Decal-Dutch
16	3290-467	1	Pin-Hair	31	105-8302	1	Decal-Japan
17	3274-12	8	Screw-HSH				
18	3256-23	8	Washer-Flat				
19	51-0780	1	Slider-Seat				
20	100-3187	1	Seat ASM				
21	93-6686	1	Decal-Oil, HYD				
22	105-4319	1	Harness-Wire, Seat				
23	66-2630	1	Latch-Seat				
24	3229-1	2	Screw-CARR				
25	3296-16	4	Nut-Lock, NI				
26	32144-10	2	Screw-HWH				



## Neutral System Assembly

Ref. No.	Part No.	Qty.	Description
1	33023-00	1	Nut-Lock
2	94-8197	1	Tube-Pivot
3	33113-035	1	Screw-HH
4	76-8870	1	Lever Damper ASM
5	94-1312	1	Spacer-Pivot
6	105-5477-03	1	Lever-Pump
7	88-7200	1	Washer-Flat
8	3210-6	1	Screw-HH
9	105-5475	1	Cable Support ASM
11	105-4302	1	Neutral Arm ASM
12	3-6498	1	Washer-Thrust
13	93-2111	1	Stud-Traction
14	75-5470	1	Spacer-Bearing
15	251-259	1	Bearing-Ball
16	94-1369	1	Spring-Extension
17	323-4	2	Screw-HH
18	33024-00	2	Nut-Lock
19	33114-025	1	Screw-HH
20	33114-030	1	Screw-HH
21	3296-29	1	Nut-Lock, NI
22	2411-41	1	Joint-Ball
23	3296-56	1	Nut-Lock, NI
24	321-7	1	Screw-HH
25	33093-00	2	Washer-Flat
26	99-4251	1	Hose-Dampener
27	93-9051	1	Decal-Bolt, Eccentric

Ref. No.	Part No.	Qty.	Description
28	3256-22	2	Washer-Flat
29	94-3486	1	Plate
30	63-9750	3	Mount
31	33115-035	3	Screw-HH
32	33025-00	3	Nut-Lock
33	2844	3	Washer
34	94-8196	2	Washer-Nylon
35	105-4307-03	1	Bracket-Spring
38	324-8	2	Screw-HH



Sheet No.: 11

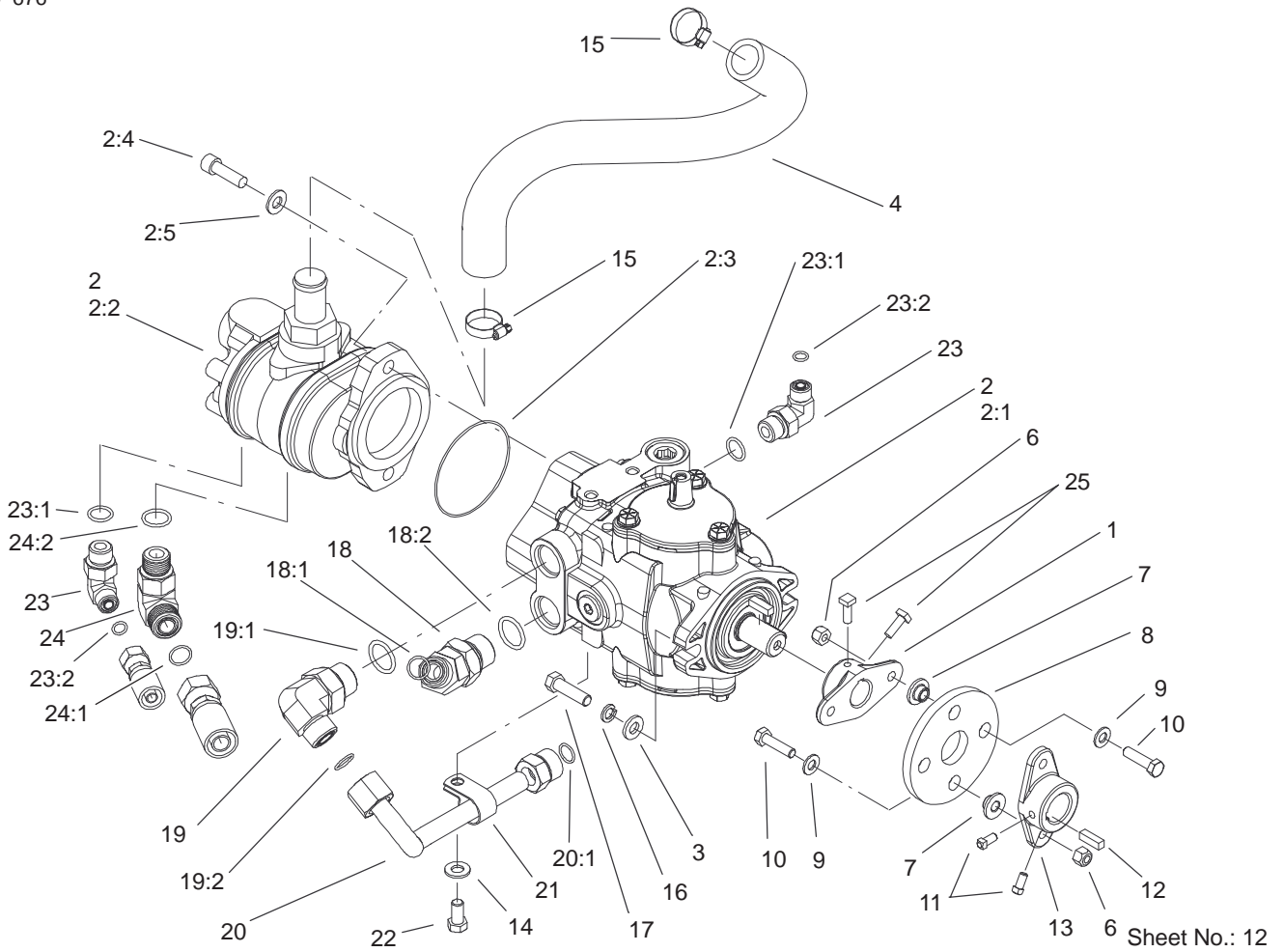
## Engine Installation Assembly

Ref. No.	Part No.	Qty.	Description
1	323-12	3	Screw-HH
2	83-1040	3	Washer-Flat
3	83-1050	2	Spacer
4	83-1080	1	Exhaust Manifold ASM
5	83-2310	1	Shield-Regulator
6	2112-11	1	Clamp-Muffler
7	3290-357	3	Nut-HHF
8	106-4618	1	Engine-18hp, Vanguard
☆8:1		1	Deflector-Exhaust
☆8:2		4	Screw-HH
☆8:6		4	Screw-HHF
☆8:7		2	Gasket-Manifold, Exhaust
9	98-0616	1	Muffler ASM
10	83-1400-03	1	Shield-Muffler
12	3256-1	8	Washer-Flat
13	83-1630-03	1	Bracket-Support, Muffler
14	322-8	2	Screw-HH
15	3256-23	2	Washer-Flat
16	32128-20	8	Nut-HF
17	3253-3	8	Washer-Lock
18	49-2040	8	Screw-Tapping
19	83-1060-03	1	Adapter-Pump
20	3274-7	2	Screw-HSH

Ref. No.	Part No.	Qty.	Description
21	85-8120-03	1	Plate-Mount, Engine
22	3253-6	4	Washer-Lock
23	324-7	2	Screw-HH
24	83-1030	3	Mount-Engine
25	322-3	6	Screw-HH
26	93-8069	1	Decal-Surface, Hot
27	3290-379	4	Tie-Cable
30	43-2830	1	Nut-Hex
31	43-5930	2	Washer-Spring
32	33113-016	1	Screw-HH
33	105-8276	1	Harness-Wire, Engine
*33:1	106-4642	1	Harness-Wire, Fusible Link

☆ Not serviced separately

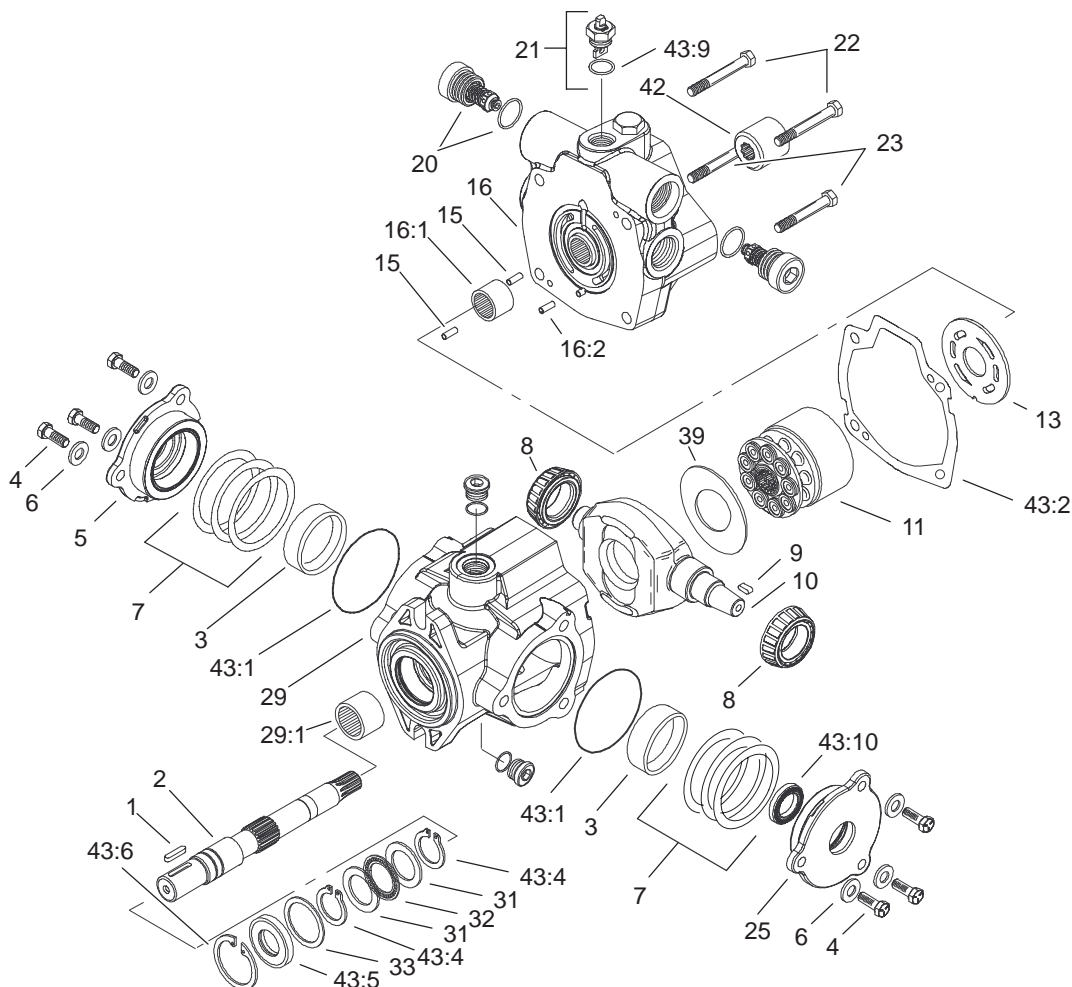
\* Not illustrated



## Hydrostat and Gear Pump Drive Assembly

Ref. No.	Part No.	Qty.	Description
1	93-2589	1	Hub-Pump
2	105-0453	1	Hydrostat/Gear Pump ASM
2:1	105-0494	1	Hydrostat ASM
2:2	104-7737	1	Gear Pump ASM
2:3	60-3520	1	O-Ring
2:4	3274-1	2	Screw-HSH
2:5	3256-24	2	Washer-Flat
3	100-4852	2	Washer-Hardened
4	105-8285	1	Hose-Inlet, Pump
6	3296-29	4	Nut-Lock, NI
7	27-6600	4	Spacer-Coupling
8	44-2230	1	Coupling-Rubber
9	3256-3	4	Washer-Flat
10	322-6	4	Screw-HH
11	3241-2	2	Screw-SQH
12	10-7070	1	Key-Square
13	27-1960	1	Hub-Engine
14	3256-24	1	Washer-Flat
15	2412-34	2	Clamp-Hose
16	3253-21	2	Washer-Lock
17	323-29	2	Screw-HH
18	340-156	1	Fitting-HYD
18:1	237-65	1	O-Ring
18:2	237-81	1	O-Ring
19	340-139	1	Fitting-HYD, 90°

Ref. No.	Part No.	Qty.	Description
19:1	237-81	1	O-Ring
19:2	237-65	1	O-Ring
20	105-8307	1	Tube-HYD, Traction
20:1	237-65	1	O-Ring
21	2412-41	1	Clamp
22	323-4	1	Screw-HH
23	340-18	2	Fitting-HYD, 90°
23:1	237-79	1	O-Ring
23:2	237-22	1	O-Ring
24	340-17	1	Fitting-HYD, 90°
24:1	237-65	1	O-Ring
24:2	237-80	1	O-Ring
25	3241-6	2	Screw-SQH



Sheet No.: A6  
T-2357

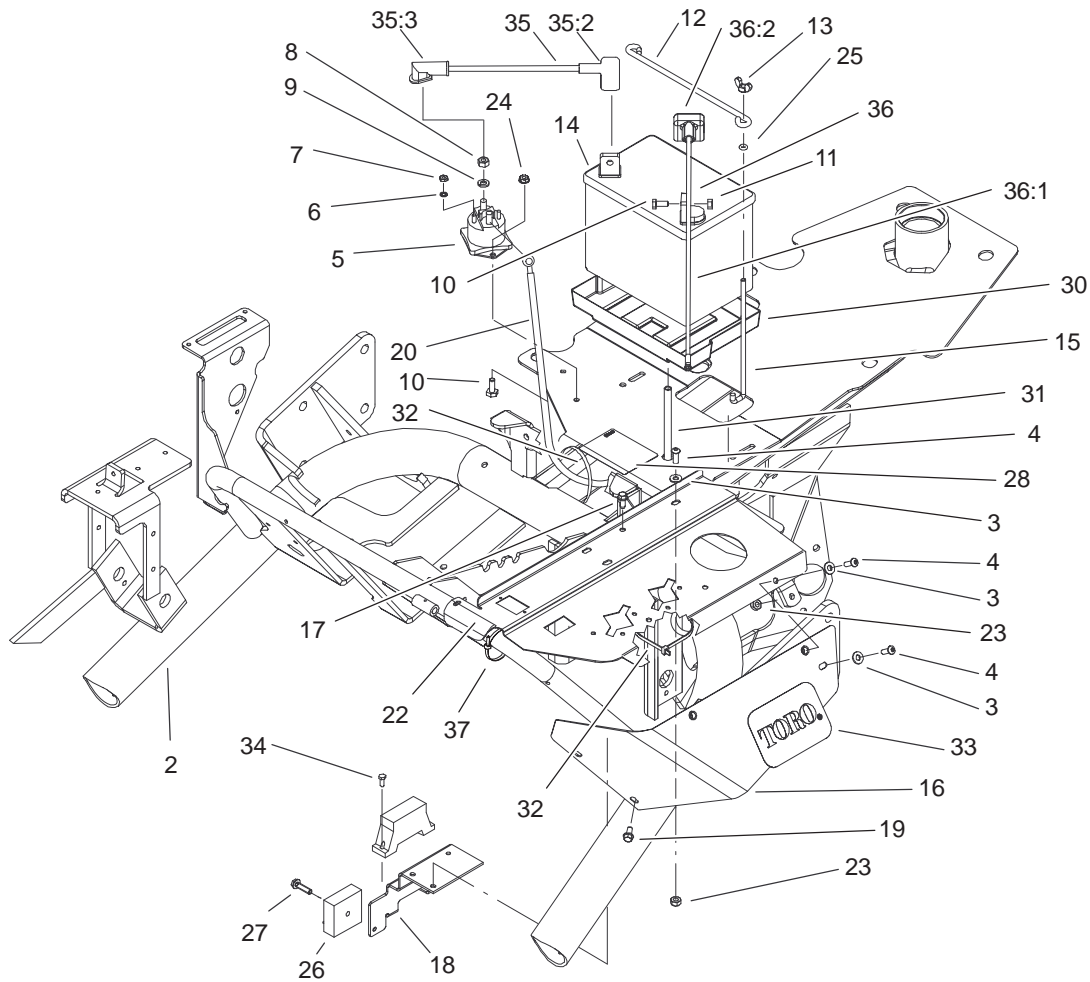
## Hydrostat Assembly No. 105-0494

Ref. No.	Part No.	Qty.	Description
1	94-3645	1	Key
2	94-6359	1	Shaft-Drive
3	104-4046	2	Bearing-Cup
4	98-4640	6	Screw-Cap
5	98-4644	1	Plate-Cover
6	105-9762	6	Washer
7	100-3182	2	Shim Kit
8	98-4639	2	Bearing-Cone
9	94-3646	1	Key
10	100-3175	1	Camplate
11	76-6070	1	Rotating Kit
13	100-3180	1	Valve-Plate
15	76-6150	2	Pin-Dowel
16	105-3813	1	Endcover Sub ASM
16:1	94-6368	1	Bearing
☆16:2		1	Pin-Roll
20	105-3812	2	Valve-Check
21	105-3811	1	Valve-Bypass
22	76-6170	2	Capscrew
23	76-6160	2	Capscrew
25	98-4645	1	Plate-Cover
29	100-3176	1	Housing ASM
29:1	94-6363	1	Bearing
31	252-71	2	Washer-Thrust
32	252-66	1	Bearing-Thrust
33	33-3720	1	Washer

Ref. No.	Part No.	Qty.	Description
39	98-4635	1	Insert-Plate, Cam
42	74-9040	1	Coupler
43	105-3844	1	Seal Repair Kit
43:1	100-3179	2	O-Ring
43:2	33-4930	1	Gasket-Housing
43:4	32151-29	2	Ring-Retaining
43:5	104-4861	1	Seal-Shaft
43:6	32151-13	1	Ring-Retaining
☆43:9		1	O-Ring
☆43:10		1	Seal-Shaft

☆ Not serviced separately

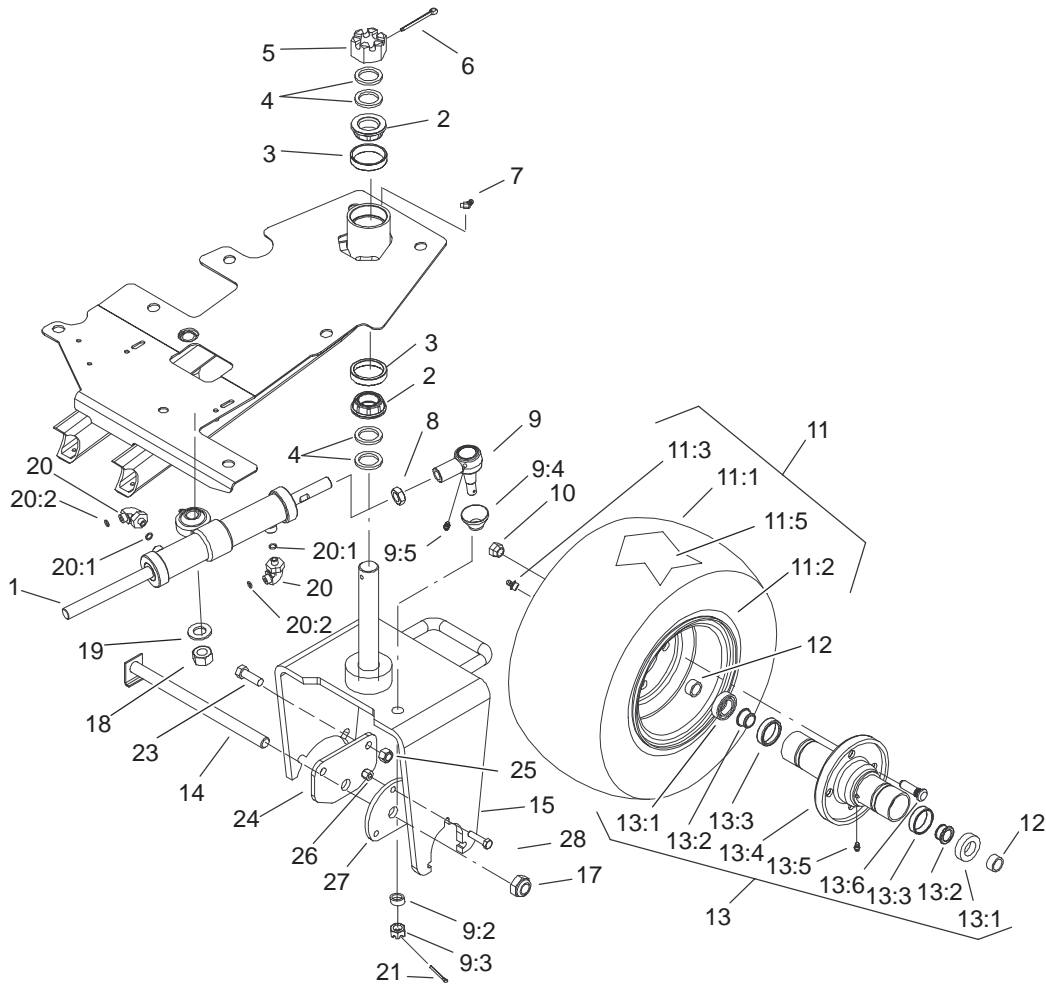




Sheet No.: 13

## Frame and Battery Assembly

Ref. No.	Part No.	Qty.	Description	Ref. No.	Part No.	Qty.	Description
2	105-0401-01	1	Frame ASM	26	92-2538	1	Timer-Plug, Glow
3	3256-22	4	Washer-Flat	27	32144-86	1	Screw-HH
4	3274-69	4	Screw-HSBH	28	93-7276	1	Decal-Danger
5	28-4210	1	Solenoid	30	106948	1	Tray-Battery
6	3254-1	2	Washer-Lock, Int	31	104-2061	1	Tube-Drain, Battery
7	3219-14	2	Nut-Hex	32	3290-379	2	Tie-Cable
8	3218-13	2	Nut-Jam	33	94-2579	1	Decal
9	3253-4	2	Washer-Lock	34	32144-1	2	Screw-Taptite
10	321-3	4	Screw-HH	35	83-2420	1	Positive Cable ASM
11	3217-5	2	Nut-Hex	35:2	28-8080	1	Boot-Terminal
12	100-6434	1	Rod-Battery, Hold Down	35:3	83-2430	1	Boot-Terminal
13	32103-22	2	Nut-Wing	36	98-2165	1	Negative Cable ASM
14	104-8162	1	Battery (Dry)	36:1	83-1150	1	Engine Ground Wire ASM
15	100-6435	2	Post-Battery	36:2	98-0603	1	Boot-Terminal
16	105-5411	1	Valve Cover Shield ASM	37	3290-378	1	Tie-Cable
17	32144-10	1	Screw-HWH				
18	105-4310-01	1	Bracket-Fuse				
19	32104-116	2	Screw				
20	98-2161	1	Cable-Battery, Positive				
22	105-0499-03	1	Panel-Control				
23	3296-16	2	Nut-Lock, NI				
24	32149-2	2	Nut				
25	237-143	2	O-Ring				



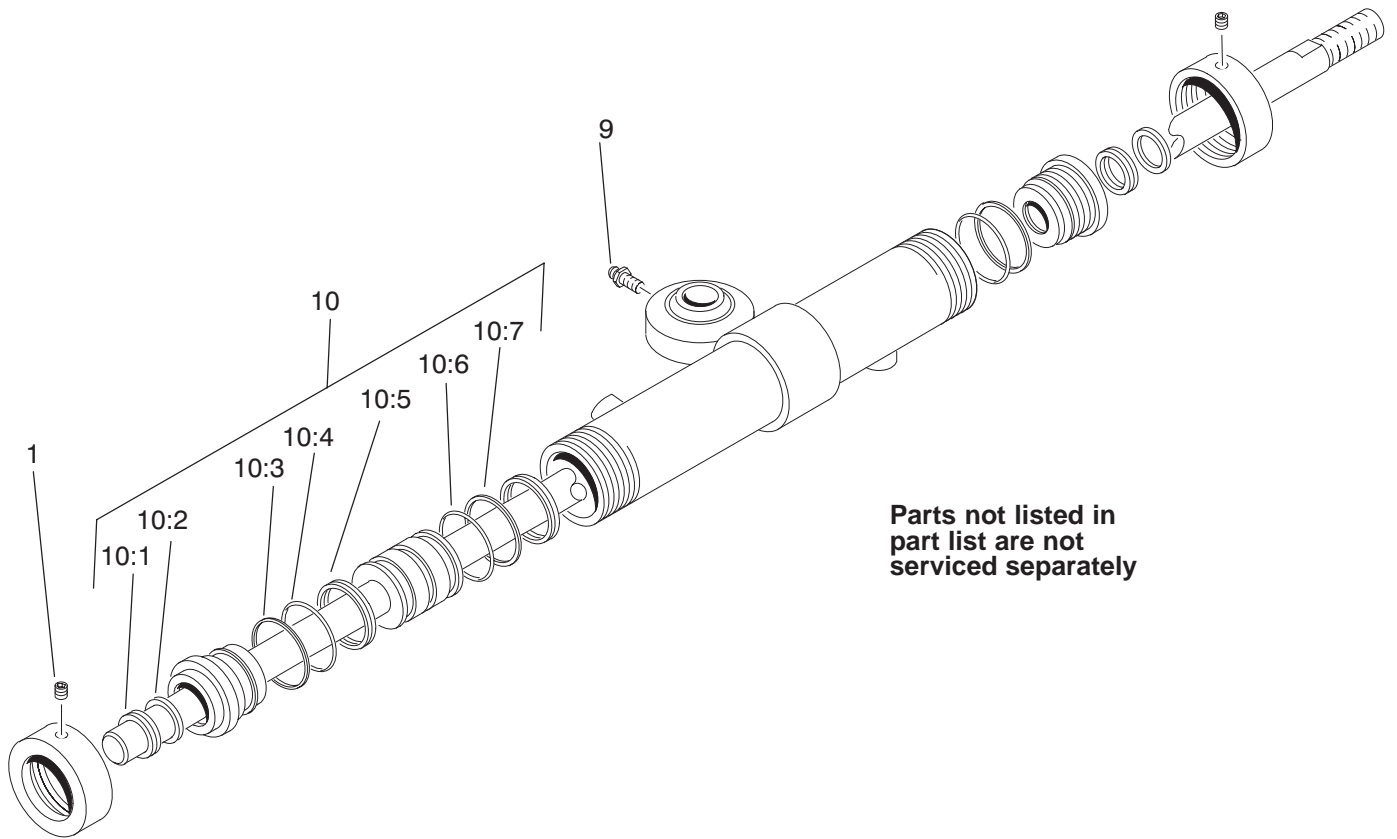
Sheet No.: 14

## Rear Wheel Assembly

Ref. No.	Part No.	Qty.	Description
1	105-0411	1	Cylinder-Steering
2	254-70	2	Bearing-Cone
3	254-61	2	Bearing-Cup
4	18-6320	4	Washer-Steering
5	32136-9	1	Nut-SHH
6	3272-37	1	Pin-Cotter
7	302-11	1	Fitting-Lube, 45°
8	84-5300	1	Nut-Jam
9	107-2553	1	Rod End ASM
9:2	98-2389	1	Spacer-Link, Pull
9:3	32136-2	1	Nut-SHH
9:4	106-6896	1	Seal
9:5	302-5	1	Fitting-Grease
10	242-50	4	Nut-Lug
☆11		1	Wheel And Tire ASM
11:1	28-3680	1	Tire
11:2	217-60	1	Rim
11:3	232-27	1	Stem-Valve
11:5	232-37	1	Tube
12	74-3730	2	Spacer-Spindle, Rear
13	72-9710	1	Hub-Tire, Sulky
13:1	253-111	2	Seal-Oil
13:2	254-78	2	Bearing-Cone
13:3	254-79	2	Bearing-Roller, Cup
13:4	75-9440	1	Hub ASM
13:5	302-55	1	Fitting-Grease

Ref. No.	Part No.	Qty.	Description
13:6	10-6830	4	Stud-Type, Drive
14	5-3934	1	Bolt-Caster
15	93-2529-01	1	Fork-Castor
17	3296-67	1	Nut-Lock NI
18	3217-12	1	Nut-Hex
19	3256-28	1	Washer-Flat
20	340-132	2	Fitting-HYD, 90°
20:1	237-78	1	O-Ring
20:2	237-21	1	O-Ring
21	3272-12	1	Pin-Cotter
23	325-6	2	Screw-HH
24	99-1485-01	1	Plate-Adapter, Motor
25	3296-23	2	Nut-Lock, NI
26	3296-39	3	Nut-Lock, NI
27	99-1486-01	1	Plate-Adapter
28	323-8	3	Screw-HH

☆ Not serviced separately



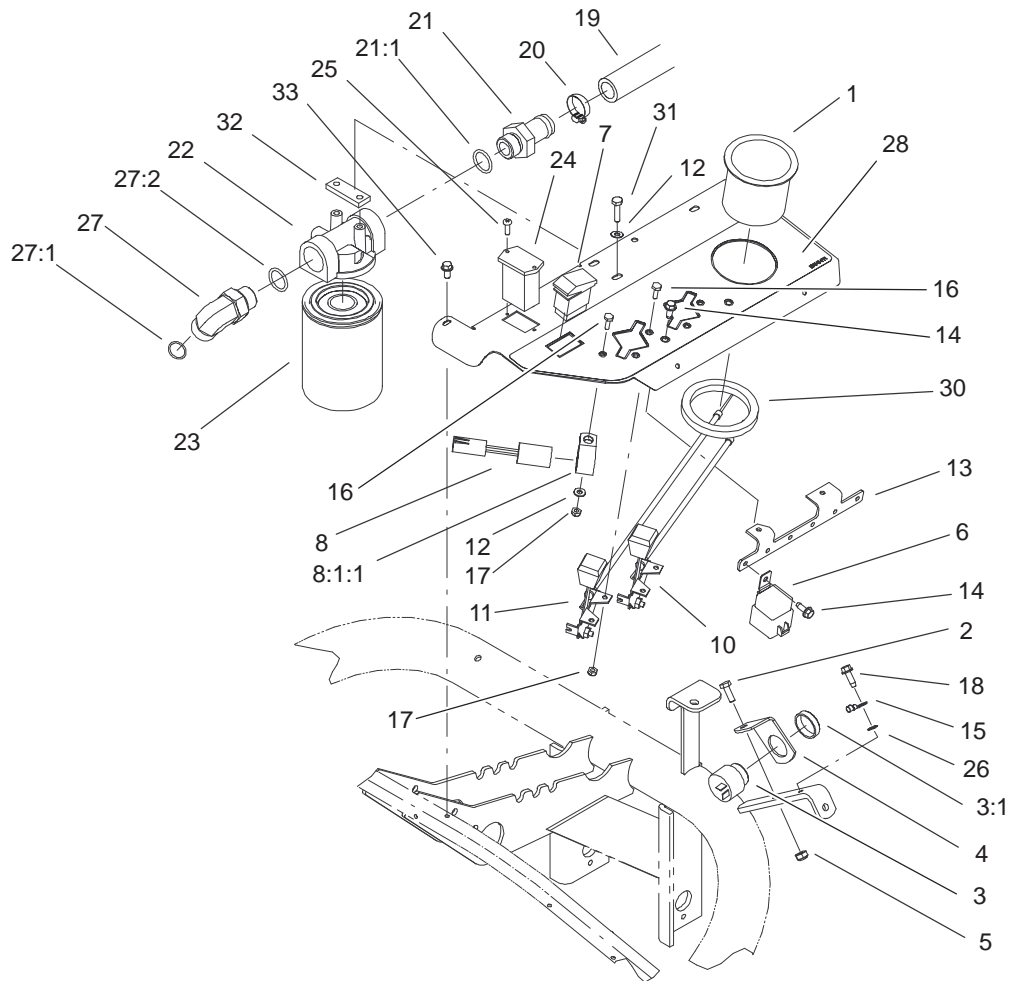
Sheet No.: A8  
T-3892

## Steering Cylinder Assembly No. 105-0411

Ref. No.	Part No.	Qty.	Description
1	3245-1	2	Screw-Set, HSH
9	302-5	1	Fitting-Grease
10	83-2380	1	Seal Repair Kit
☆10:1		2	Wiper-Rod
☆10:2		2	U-Cup-Double Lip
☆10:3		2	Ring-Back-Up
☆10:4		2	O-Ring
☆10:5		2	Ring-Wear
☆10:6		1	O-Ring
☆10:7		1	O-Ring

Ref. No.	Part No.	Qty.	Description

☆ Not serviced separately

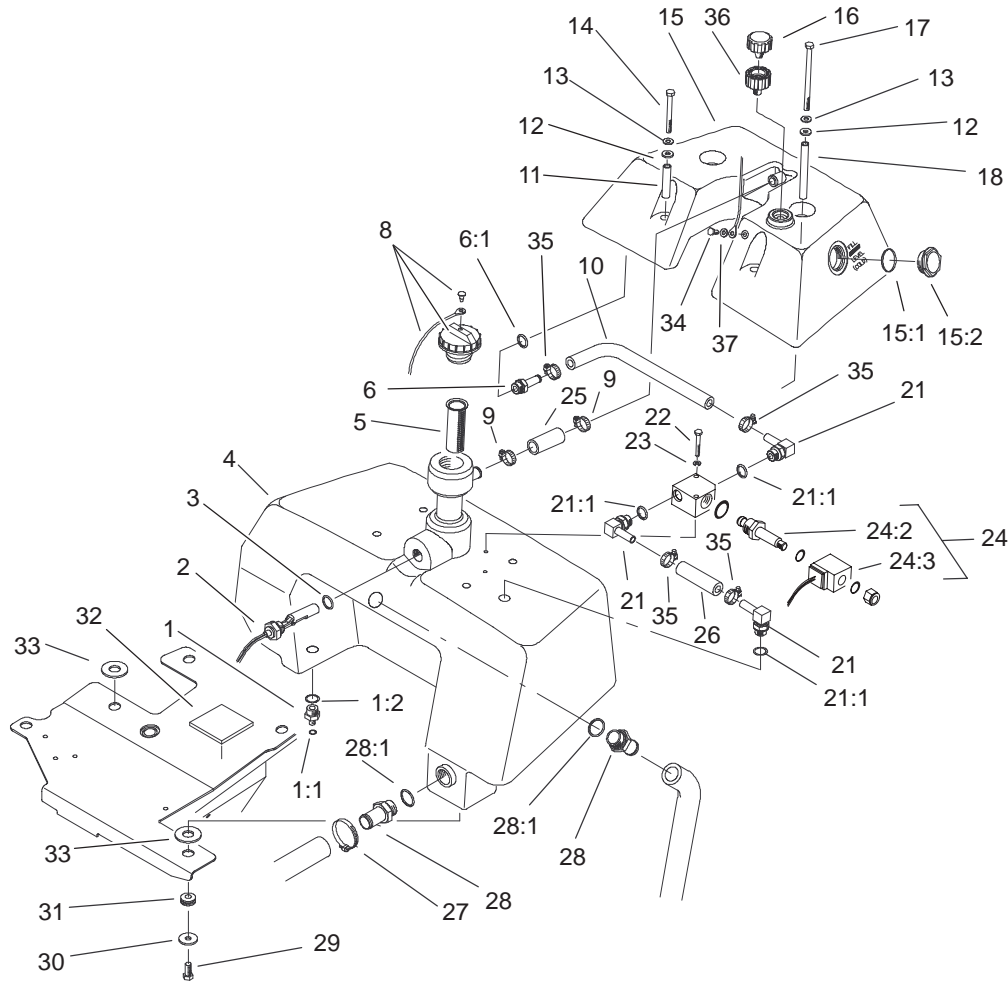


Sheet No.: 15

## Control Panel Assembly

Ref. No.	Part No.	Qty.	Description
1	94-1410	1	Holder-Can, Beverage
2	321-4	1	Screw-HH
3	80-9330	1	Alarm-Audio
3:1	104-5107	1	Nut-Plastic, Knurled
4	83-1530	1	Bracket-Support, Buzzer
5	3296-16	1	Nut-Lock, NI
6	99-7430	6	Relay
7	105-4320	1	Switch
8	83-2280	1	Timer-Delay
8:1	98-4604	1	R-Clamp
10	83-0040	1	Control-Choke
11	83-0030	1	Control-Throttle
12	3256-22	3	Washer-Flat
13	105-4306-03	1	Bracket-Relay
14	32144-10	8	Screw-HWH
15	83-1150	1	Engine Ground Wire ASM
16	3290-134	5	Screw
17	3296-12	5	Nut-Lock
18	32104-95	1	Screw-HWH
19	105-5410	1	Hose ASM
20	2412-34	1	Clamp-Hose
21	99-3017	1	Fitting
21:1	237-81	1	O-Ring
22	92-5821	1	Filter Head ASM

Ref. No.	Part No.	Qty.	Description
23	105-0438	1	Element-Filter
24	75-6820	1	Hourmeter
25	32144-18	2	Screw-HH
26	3255-7	1	Washer-Lock/Ext
27	340-142	1	Fitting-HYD, 90°
27:1	237-58	1	O-Ring
27:2	237-81	1	O-Ring
28	105-5471	1	Decal-Panel, Left Control
30	104-1476	1	Ring-Rubber
31	321-6	2	Screw-HH
32	105-4309	1	Plate-Filter
33	32104-116	1	Screw



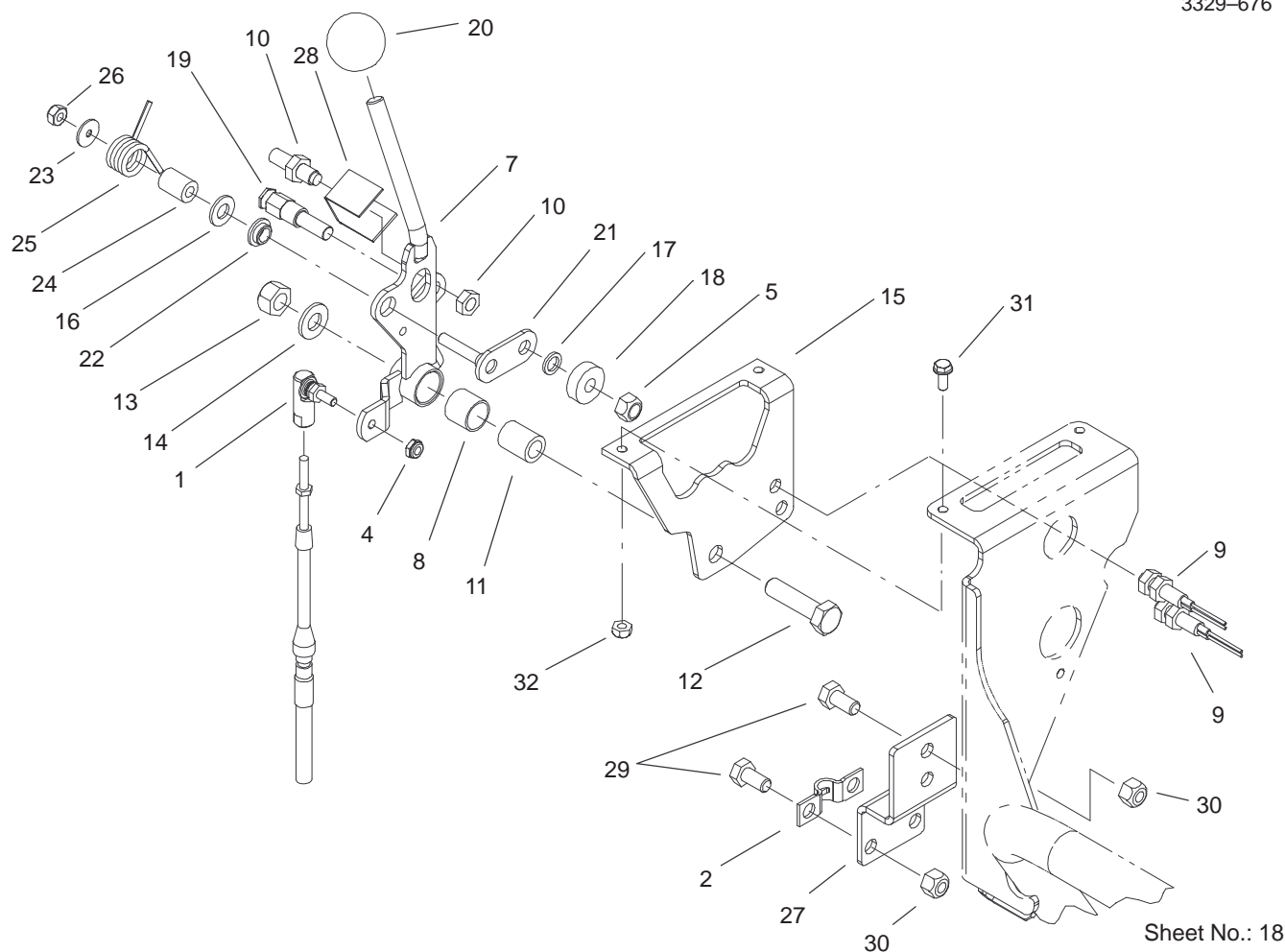
Sheet No.: 16

## Hydraulic Reservoir and Leak Detector Assembly

Ref. No.	Part No.	Qty.	Description
1	340-3	1	Adapter
1:1	237-22	1	O-Ring
1:2	237-79	1	O-Ring
2	83-1450	1	Sensor-Level, Oil
3	237-80	1	O-Ring
4	105-9783	1	Tank-Hydraulic
5	83-1520	1	Screen-Filler
6	354-121	1	Fitting-HYD, Straight
6:1	237-79	1	O-Ring
8	93-7160	1	Cap-Oil, HYD
9	2412-141	2	Clamp-Drive, Worm
10	83-2070	1	Hose-Valve
11	83-1550	2	Spacer-Tube, Short
12	83-1470	4	Washer-Neoprene
13	3256-71	4	Washer-Flat
14	322-14	2	Screw-HH
15	83-2100	1	Tank-Auxiliary, HYD
15:1	94-8166	1	O-Ring
15:2	83-2250	1	Gauge-Sight
16	68-6150	1	Breather
17	322-29	2	Screw-HH
18	83-1560	2	Spacer-Tube, Long
21	354-120	3	Fitting-HYD, 90°
21:1	237-79	1	O-Ring
22	321-11	2	Screw-HH
23	3253-3	2	Washer-Lock

Ref. No.	Part No.	Qty.	Description
24	83-1460	1	Solenoid Valve ASM
24:2	83-2000	1	Spool-Valve
24:3	83-2010	1	Coil-Valve
25	83-2090	1	Hose-Overflow
26	83-2080	1	Hose-Valve, Tank
27	2412-34	1	Clamp-Hose
28	83-0870	2	Fitting-Hose, Barbed
28:1	237-177	1	O-Ring
29	323-6	3	Screw-HH
30	63-8410	3	Washer
31	240-11	3	Bushing-Flange
32	83-2390	1	Pad-Tank
33	83-2400	2	Spacer
34	321-2	1	Screw-HH
35	2412-36	4	Clamp-Hose
36	92-8020	1	Adapter-Breather
37	3256-22	1	Washer-Flat



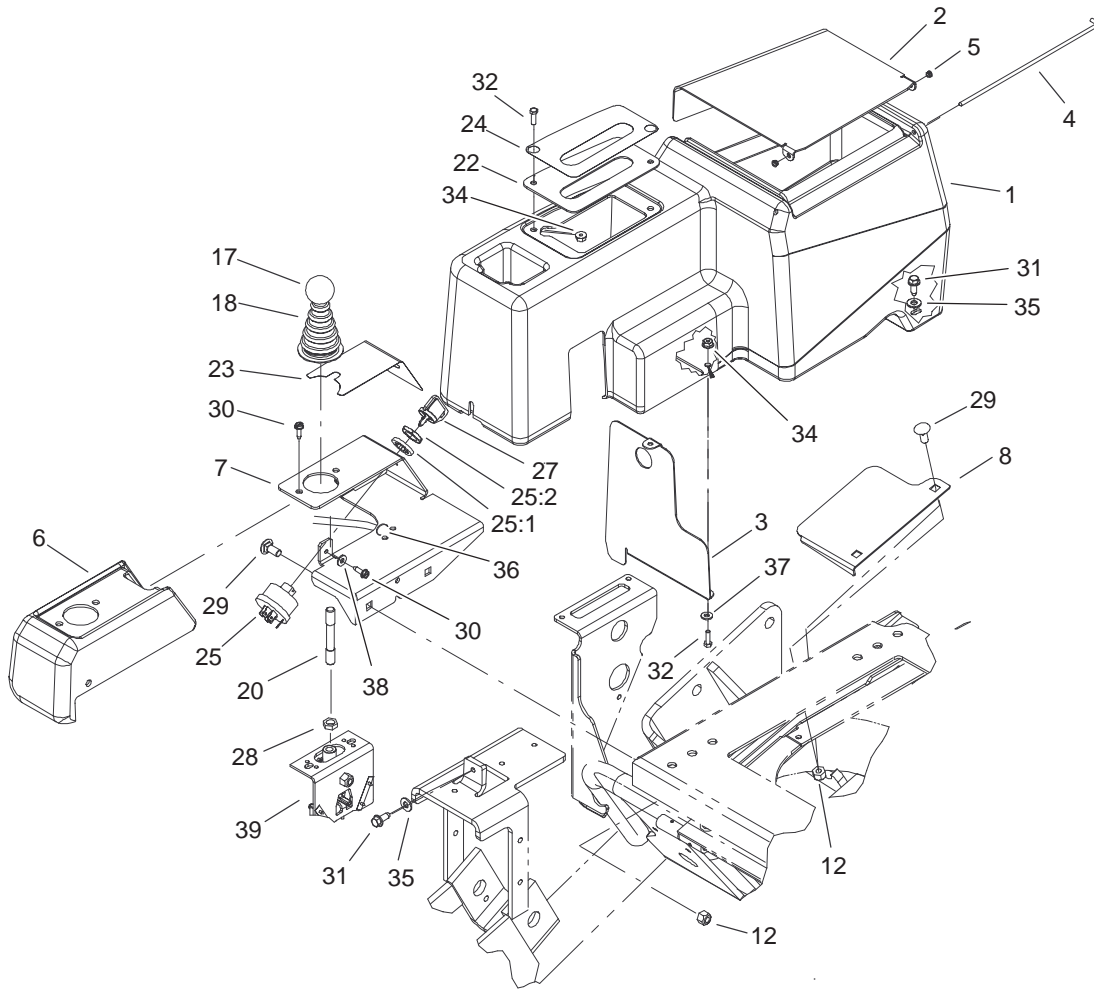


Sheet No.: 18

## Speed Selector Lever Assembly

Ref. No.	Part No.	Qty.	Description
1	2411-38	1	Joint-Ball
2	93-2279	1	Clamp-Cable
4	3296-27	1	Nut-Lock NI
5	33024-00	1	Nut-Lock
7	94-9611	1	Handle
8	256-311	1	Bushing-Split
9	93-2055	2	Sensor-Switch, Reed
10	93-2056	1	Actuator-Switch, Reed
11	94-1378	1	Tube-Pivot, Handle
12	33115-040	1	Screw-HH
13	33025-00	1	Nut-Lock
14	3256-24	1	Washer-Flat
15	94-6398	1	Bracket-Traction
16	3256-23	1	Washer-Flat
17	75-5470	1	Spacer-Bearing
18	251-259	1	Bearing-Ball
19	94-9617	1	Pin-Spring
20	233-42	1	Knob
21	94-9614	1	Pivot-Roller
22	94-9619	1	Bushing
23	3256-67	1	Washer-Flat
24	94-9618	1	Spacer-Spring
25	94-9620	1	Spring-Torsion
26	33023-00	1	Nut-Lock
27	105-5417-03	1	Bracket-Cable, Shifter
28	106-6356	1	Shield-Switch

Ref. No.	Part No.	Qty.	Description
29	322-2	4	Screw-HH
30	3296-29	4	Nut-Lock, NI
31	3290-321	2	Screw-HWH
32	3296-12	2	Nut-Lock



Sheet No.: 19

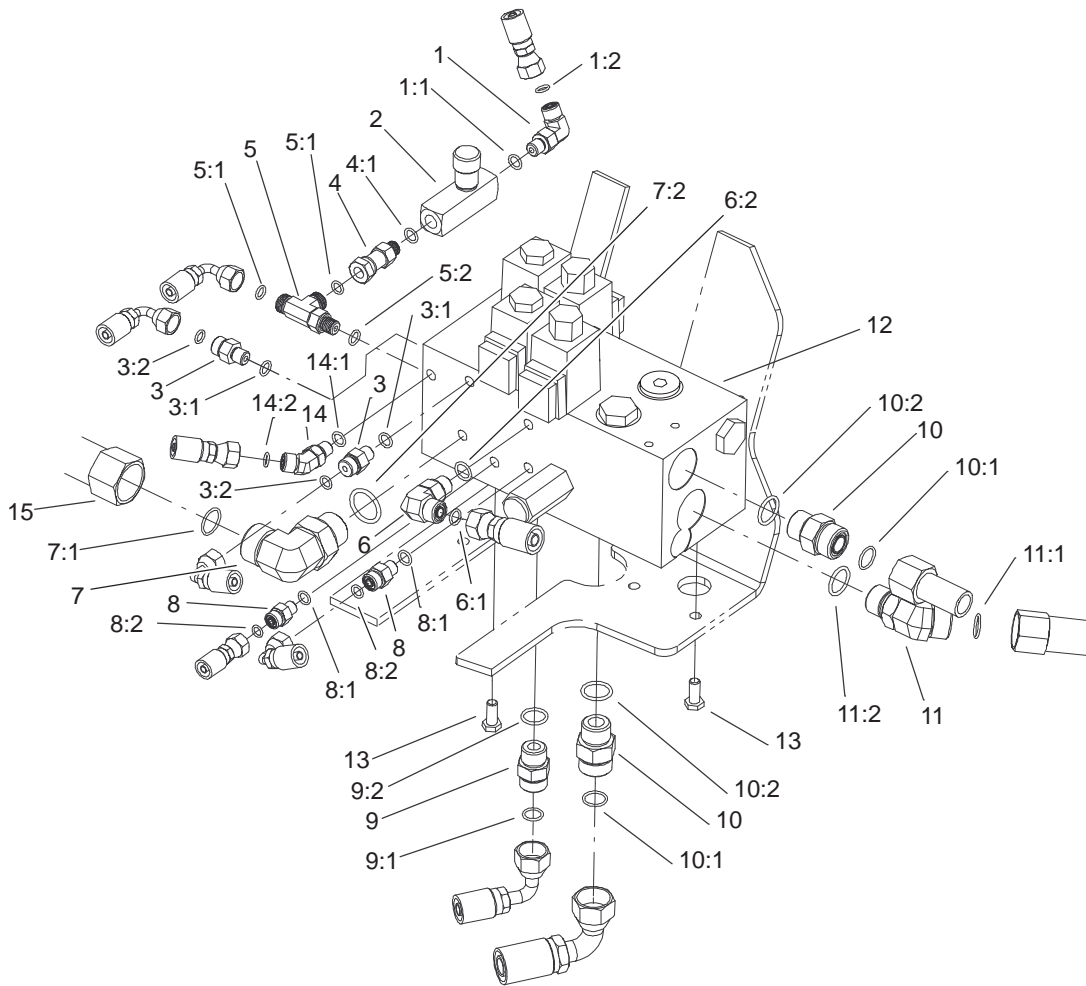
## Joystick and Console Assembly

Ref. No.	Part No.	Qty.	Description
1	105-8250	1	Console
2	105-8254-03	1	Lid-Console
3	105-8255-03	1	Baffle-Console
4	105-8256	1	Rod-Hinge
5	105-8283	2	Bushing
6	105-8251	1	Pod
7	105-8252-03	1	Bracket-Pod
8	105-8284-03	1	Shield-Valve
12	3296-29	4	Nut-Lock, NI
17	233-42	1	Knob
18	93-5961	1	Boot-Lever
20	105-8288	1	Rod-Joystick
22	105-8280-03	1	Plate-Console
23	105-8305	1	Decal-Panel, Control
24	105-8306	1	Decal-Selector, Speed
25	88-9830	1	Key Switch ASM
25:1	3254-5	1	Washer-Tooth
25:2	218-461	1	Nut-HH
27	63-8360	2	Key-Ignition
28	3218-3	1	Nut-Jam
29	3230-1	4	Bolt-CARR
30	32144-19	4	Screw-SHWH
31	32144-10	3	Screw-HWH
32	3290-134	4	Screw
34	3290-148	4	Nut-HF
35	3256-22	3	Washer-Flat

Ref. No.	Part No.	Qty.	Description
36	3290-378	1	Tie-Cable
37	3256-77	2	Washer-Flat
38	3256-14	2	Washer-Flat
☆39		1	Joystick Bracket ASM

☆ Not serviced separately



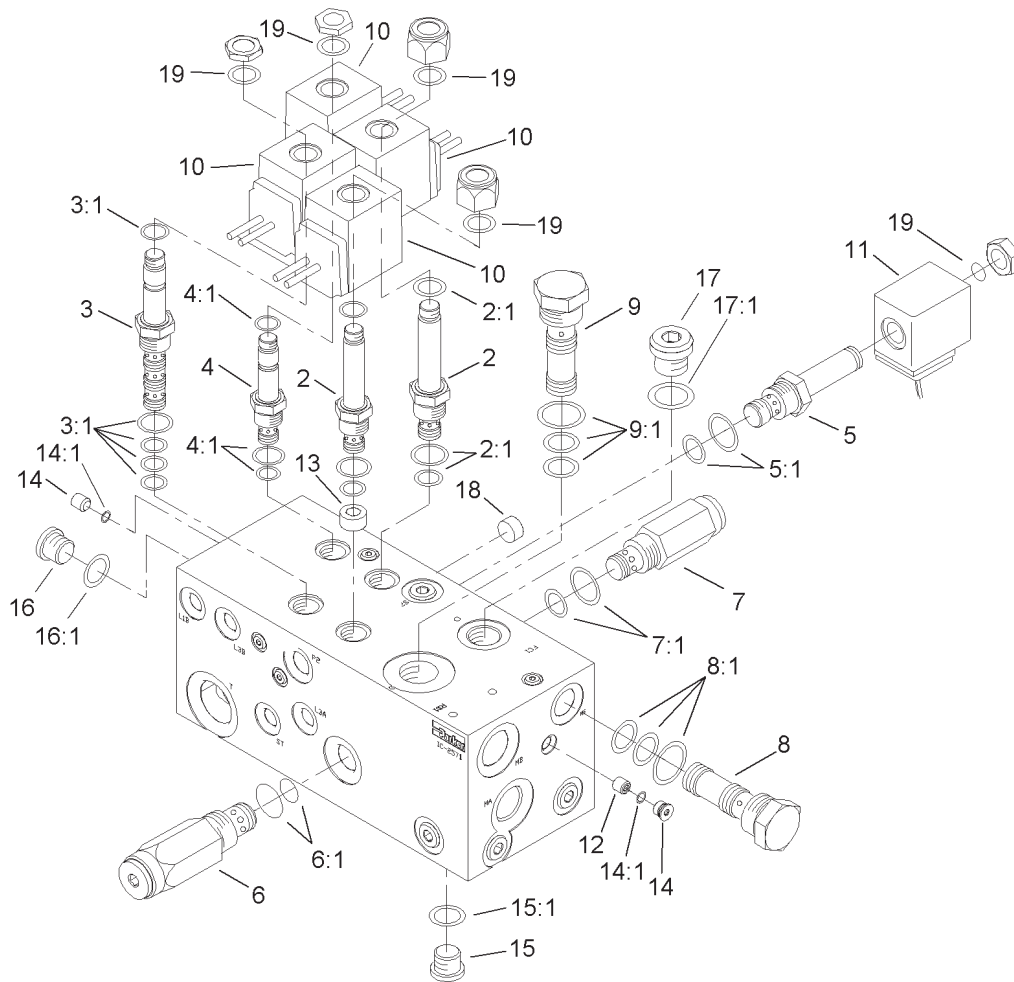


Sheet No.: 24

## Hydraulic Manifold Assembly

Ref. No.	Part No.	Qty.	Description
1	340-132	1	Fitting-HYD, 90°
1:1	237-78	1	O-Ring
1:2	237-21	1	O-Ring
2	93-7489	1	Orifice Valve ASM
3	95-1639	2	Fitting-HYD
3:1	237-78	1	O-Ring
3:2	237-21	1	O-Ring
4	104-3777	1	Connector-Swivel, Straight
4:1	237-78	1	O-Ring
5	340-140	1	Adapter-Tee
5:1	237-21	2	O-Ring
5:2	237-78	1	O-Ring
6	340-77	1	Fitting-HYD, 90°
6:1	237-22	1	O-Ring
6:2	237-42	1	O-Ring
7	340-142	1	Fitting-HYD, 90°
7:1	237-58	1	O-Ring
7:2	237-81	1	O-Ring
8	340-92	2	Fitting-HYD, Straight
8:1	237-78	1	O-Ring
8:2	237-21	1	O-Ring
9	340-4	1	Fitting-HYD, Sraight
9:1	237-30	1	O-Ring
9:2	237-79	1	O-Ring
10	340-7	2	Adapter

Ref. No.	Part No.	Qty.	Description
10:1	237-65	1	O-Ring
10:2	237-80	1	O-Ring
11	340-14	1	Fitting-HYD, 45°
11:1	237-65	1	O-Ring
11:2	237-80	1	O-Ring
12	106-9005	1	Manifold ASM
13	33114-016	2	Screw-HH
14	340-103	1	Fitting-HYD, 45°
14:1	237-78	1	O-Ring
14:2	237-21	1	O-Ring
15	105-5460	1	Tube-HYD, Manifold/Filter



Sheet No.:B1

## Manifold Assembly No. 106-9005

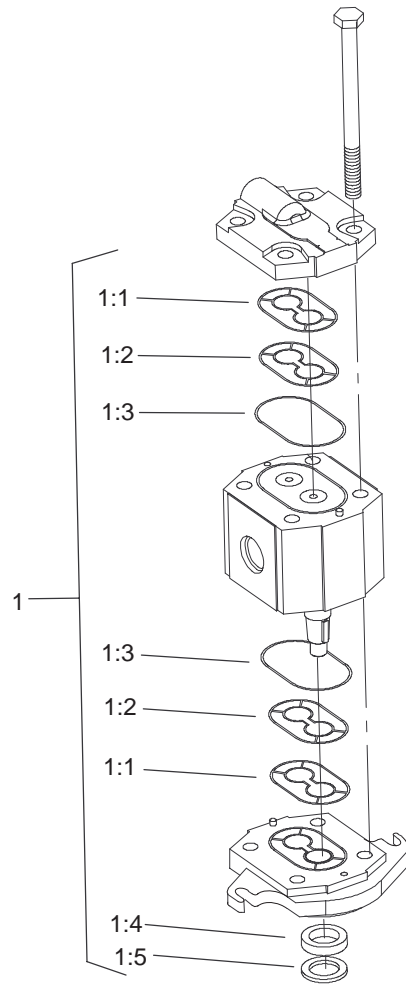
Ref. No.	Part No.	Qty.	Description
2	93-7494	2	Cartridge
2:1	75-2080	1	Seal Kit
3	94-2627	1	Cartridge
3:1	95-5642	1	Seal Kit
4	92-6315	1	Cartridge-N.c., Poppet
4:1	104-0004	1	Cartridge Seal Kit
5	106-9087	1	Spool-Type, Stem
5:1	105-3334	1	Seal Kit
☆5:1:1		1	O-Ring
☆5:1:2		1	O-Ring
☆5:1:3		2	Ring-Backup
6	95-1601	1	Cartridge-Relief
6:1	95-5645	1	Seal Kit
☆6:1:1		1	O-Ring
☆6:1:2		1	O-Ring
7	94-6351	1	Cartridge-Relief
7:1	95-5645	1	Seal Kit
☆7:1:1		1	O-Ring
☆7:1:2		1	O-Ring
8	94-6353	1	Plug-Cavity
8:1	69-4240	1	Seal Kit
9	94-6352	1	Plug-Cavity
9:1	104-7730	1	Seal Kit
10	88-9190	4	Solenoid Coil Kit
11	106-9086	1	Solenoid Coil
12	106-9084	1	Plug-Orifice

Ref. No.	Part No.	Qty.	Description
13	106-9083	1	Plug-Orifice
14	353-991	8	Plug-Hex, Hollow
14:1	237-156	1	O-Ring
15	353-989	7	Plug-Hex, Hollow
15:1	237-42	1	O-Ring
16	353-988	1	Plug-Hex, Hollow
16:1	237-79	1	O-Ring
17	354-70	1	Plug-Hex, Hollow
17:1	237-80	1	O-Ring
19	94-5438	8	Seal-Solenoid

☆ Not serviced separately







Parts not listed in part list are not serviced separately

Sheet No.: B2

## Reel Motor Assembly No. 100-6426

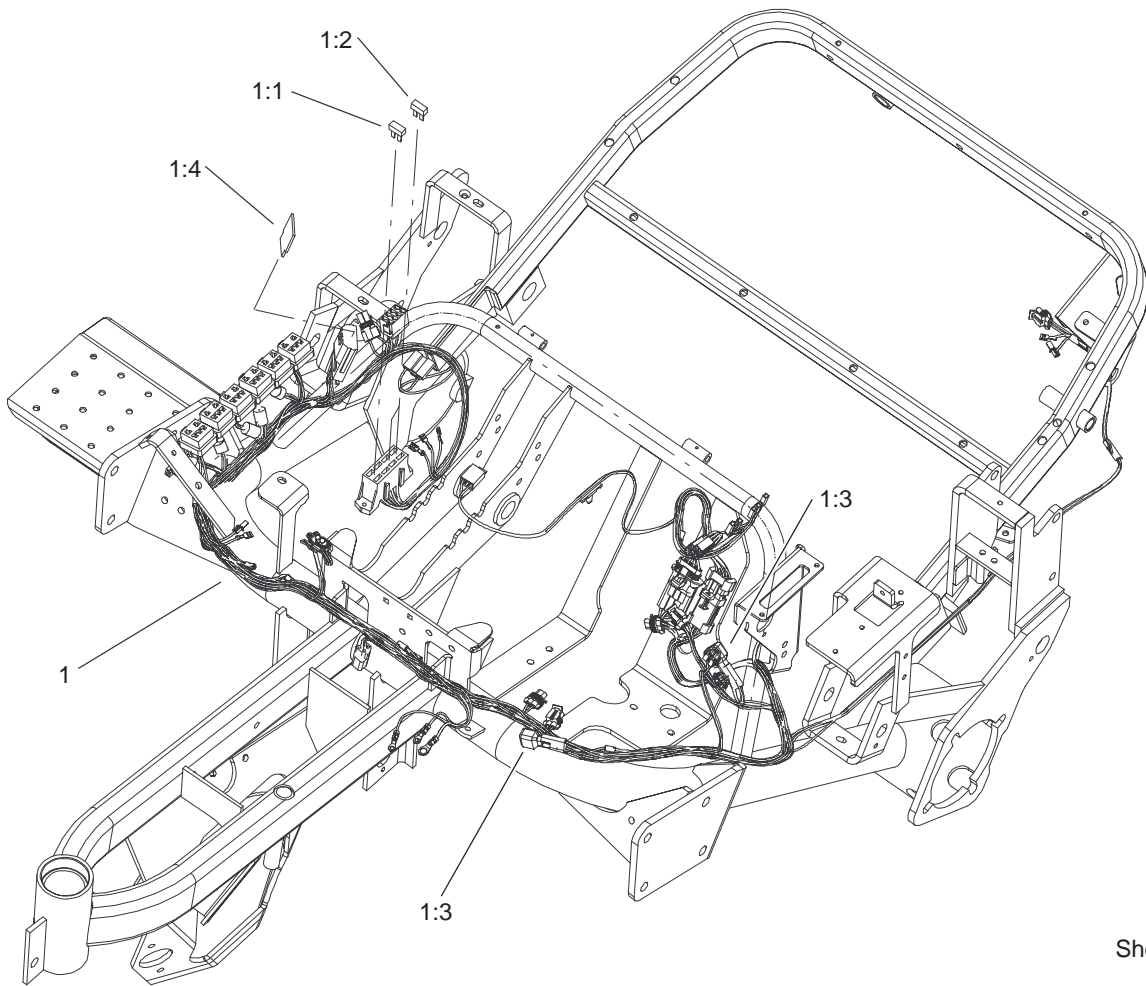
Ref. No.	Part No.	Qty.	Description
1	105-9758	1	Seal Kit
☆1:1		2	Seal-Extrusion, Anti
☆1:2		2	Seal-Pressure
☆1:3		2	O-Ring
☆1:4		1	Seal-Shaft
☆1:5		1	Washer-Backup

Ref. No.	Part No.	Qty.	Description

☆ Not serviced separately







Sheet No.: 30

## Wire Harness Routing Assembly

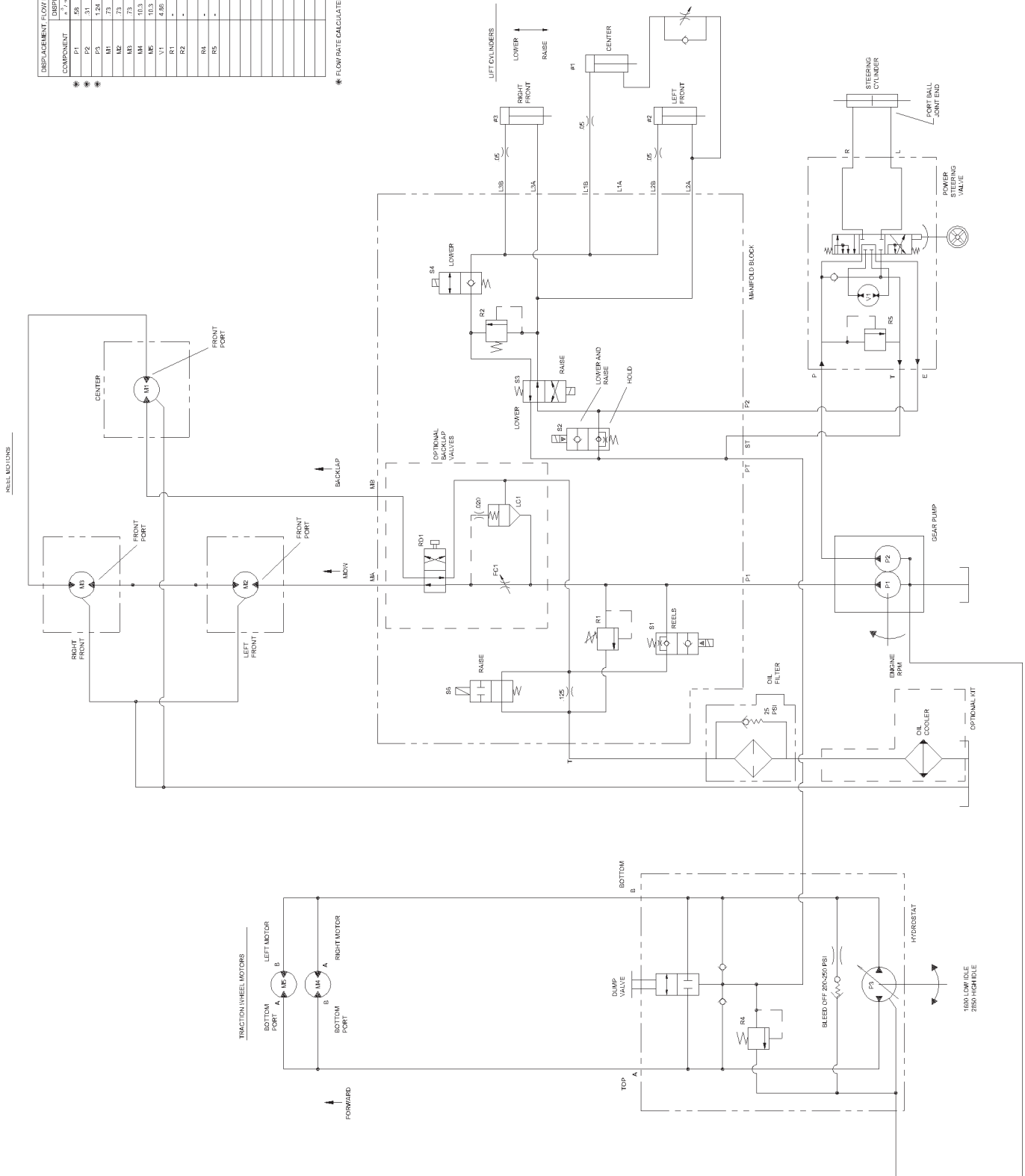
Ref. No.	Part No.	Qty.	Description
1	106-9006	1	Wire-Harness, Gr3150 Main
1:1	218-578	2	Fuse-10 Amp
1:2	109101	1	Fuse-20 Amp
1:3	100-4918	2	Diode
1:4	92-3188	1	Diode-Board, Circuit
1:5	106-4641	1	Harness-Wire, Fusible Link

Ref. No.	Part No.	Qty.	Description

# Hydraulic Schematic

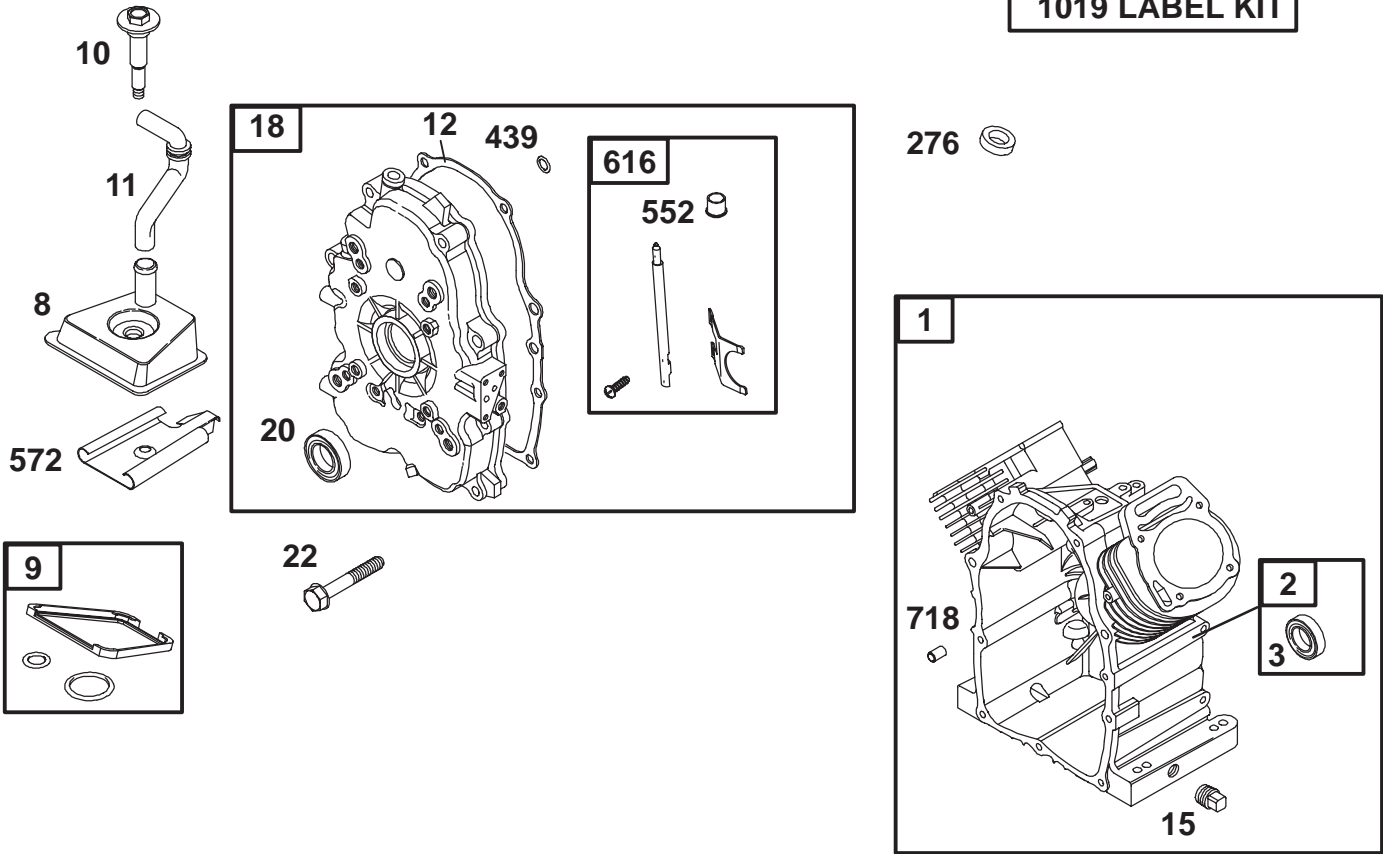
DISPLACEMENT COMPONENT	FLOW RATE		E-CHART	
	DISPLACEMENT (in <sup>3</sup> /rev)	PRESSURE (psi)	DISPLACEMENT (in <sup>3</sup> /rev)	PRESSURE (psi)
P1	31	15.1	31	15.1
P2	31	15.1	31	15.1
P3	124	20.3	124	20.3
M1	73	12.0	73	12.0
M2	73	12.0	73	12.0
M3	73	12.0	73	12.0
M4	103	108.9	103	108.9
M5	103	108.9	103	108.9
M6	103	108.9	103	108.9
M7	103	108.9	103	108.9
M8	103	108.9	103	108.9
M9	103	108.9	103	108.9
M10	103	108.9	103	108.9
M11	103	108.9	103	108.9
M12	103	108.9	103	108.9
M13	103	108.9	103	108.9
M14	103	108.9	103	108.9
M15	103	108.9	103	108.9
M16	103	108.9	103	108.9
M17	103	108.9	103	108.9
M18	103	108.9	103	108.9
M19	103	108.9	103	108.9
M20	103	108.9	103	108.9
M21	103	108.9	103	108.9
M22	103	108.9	103	108.9
M23	103	108.9	103	108.9
M24	103	108.9	103	108.9
M25	103	108.9	103	108.9
M26	103	108.9	103	108.9
M27	103	108.9	103	108.9
M28	103	108.9	103	108.9
M29	103	108.9	103	108.9
M30	103	108.9	103	108.9
M31	103	108.9	103	108.9
M32	103	108.9	103	108.9
M33	103	108.9	103	108.9
M34	103	108.9	103	108.9
M35	103	108.9	103	108.9
M36	103	108.9	103	108.9
M37	103	108.9	103	108.9
M38	103	108.9	103	108.9
M39	103	108.9	103	108.9
M40	103	108.9	103	108.9
M41	103	108.9	103	108.9
M42	103	108.9	103	108.9
M43	103	108.9	103	108.9
M44	103	108.9	103	108.9
M45	103	108.9	103	108.9
M46	103	108.9	103	108.9
M47	103	108.9	103	108.9
M48	103	108.9	103	108.9
M49	103	108.9	103	108.9
M50	103	108.9	103	108.9
M51	103	108.9	103	108.9
M52	103	108.9	103	108.9
M53	103	108.9	103	108.9
M54	103	108.9	103	108.9
M55	103	108.9	103	108.9
M56	103	108.9	103	108.9
M57	103	108.9	103	108.9
M58	103	108.9	103	108.9
M59	103	108.9	103	108.9
M60	103	108.9	103	108.9
M61	103	108.9	103	108.9
M62	103	108.9	103	108.9
M63	103	108.9	103	108.9
M64	103	108.9	103	108.9
M65	103	108.9	103	108.9
M66	103	108.9	103	108.9
M67	103	108.9	103	108.9
M68	103	108.9	103	108.9
M69	103	108.9	103	108.9
M70	103	108.9	103	108.9
M71	103	108.9	103	108.9
M72	103	108.9	103	108.9
M73	103	108.9	103	108.9
M74	103	108.9	103	108.9
M75	103	108.9	103	108.9
M76	103	108.9	103	108.9
M77	103	108.9	103	108.9
M78	103	108.9	103	108.9
M79	103	108.9	103	108.9
M80	103	108.9	103	108.9
M81	103	108.9	103	108.9
M82	103	108.9	103	108.9
M83	103	108.9	103	108.9
M84	103	108.9	103	108.9
M85	103	108.9	103	108.9
M86	103	108.9	103	108.9
M87	103	108.9	103	108.9
M88	103	108.9	103	108.9
M89	103	108.9	103	108.9
M90	103	108.9	103	108.9
M91	103	108.9	103	108.9
M92	103	108.9	103	108.9
M93	103	108.9	103	108.9
M94	103	108.9	103	108.9
M95	103	108.9	103	108.9
M96	103	108.9	103	108.9
M97	103	108.9	103	108.9
M98	103	108.9	103	108.9
M99	103	108.9	103	108.9
M100	103	108.9	103	108.9

\* FLOW RATE CALCULATED AT 2000 RPM AND 98 EFFICIENCY





**1019 LABEL KIT**



Assemblies include all parts shown in frames.

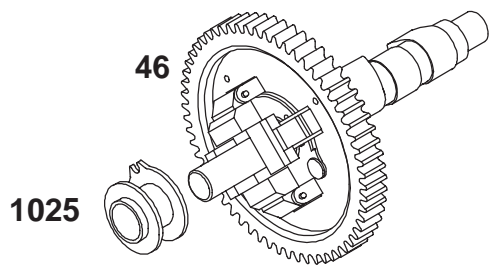
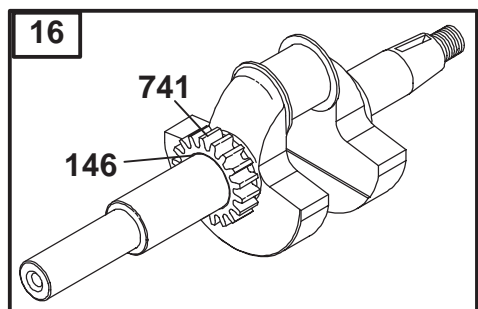
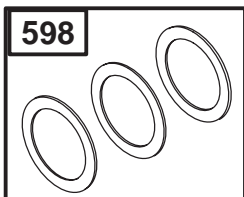
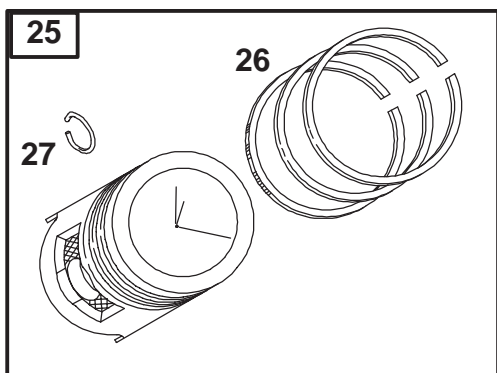
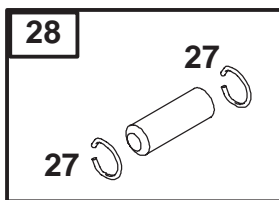
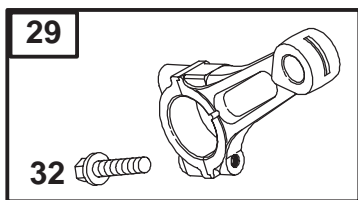
## Cylinder Assembly Briggs and Stratton Model 350447-1331-E1

Ref. No.	Part No.	Qty.	Description
1	692544	1	Cylinder Assembly
2	808534	1	Bearing/Seal Kit
★3	805101	1	Oil Seal
8	808984	1	Breather Assembly
△★9	809094	1	Valve Cover Gasket
10	690751	1	Screw (Breather Assembly)
11	806083	1	Breather Tube
★12	691684	1	Crankcase Gasket
15	690946	1	Oil Drain Plug
18	808847	1	Crankcase Cover
★20	805049	1	Oil Seal
22	692540	1	Screw (Crankcase Gasket)
276	690704	1	Sealing Washer
★439	692154	1	O Ring Seal (Crankcase Cover)
552	806686	1	Governor Crank Bushing
572	690686	1	Breather Baffle
616	806685	1	Governor Crank
718	806469	1	Locating Pin
1019	808036	1	Label Kit

Ref. No.	Part No.	Qty.	Description

△ Included in Valve Gasket Set-Ref. 1095.

★ Included in Engine Gasket Set-Ref. 358.

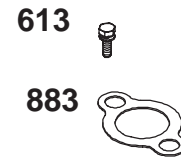
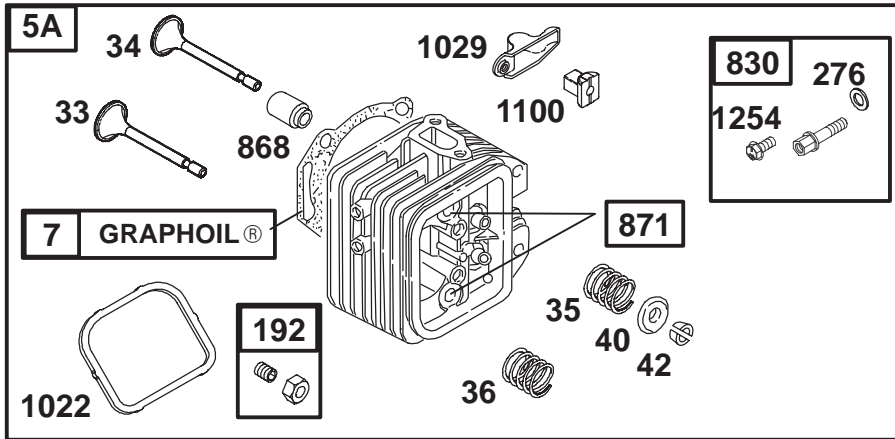
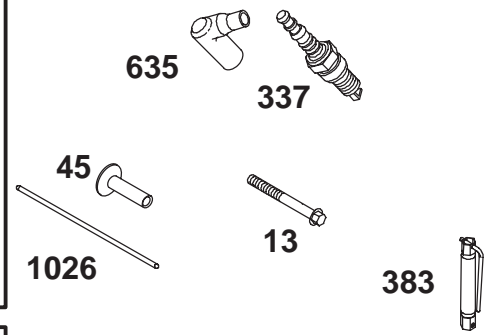
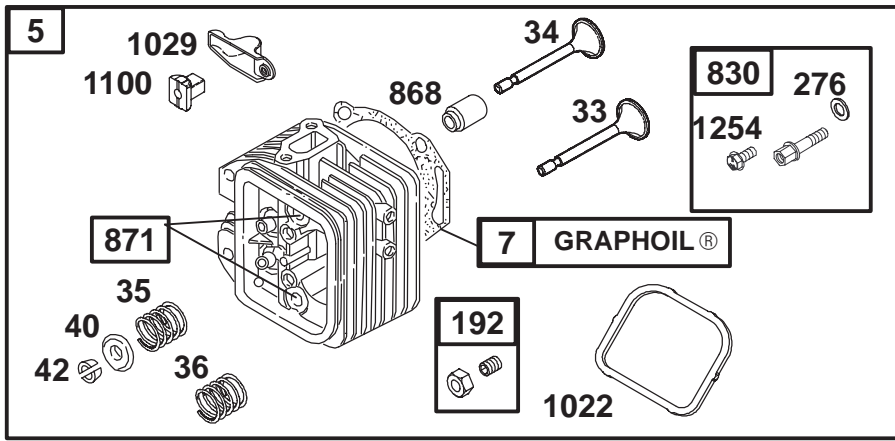


Assemblies include all parts shown in frames.

## Crankshaft Assembly Briggs and Stratton Model 350447-1331-E1

Ref. No.	Part No.	Qty.	Description
16	692171	1	Crankshaft
17	690752	1	Ball Bearing
25	808326	1	Piston Assembly (Standard)
	808336	1	Piston Assembly (.010 O.S.)
	808337	1	Piston Assembly (.020 O.S.)
	808338	1	Piston Assembly (.030 O.S.)
26	807889	1	Ring Set (Standard)
	807994	1	Ring Set (.010 O.S.)
	807995	1	Ring Set (.020 O.S.)
	807996	1	Ring Set (.030 O.S.)
27	690683	1	Piston Pin Lock
28	807886	1	Piston Pin (Standard)
29	807900	1	Connecting Rod (Standard)
	807803	1	Connecting Rod (.020 Undersize)
32	690698	1	Screw (Connecting Rod 1 7/8")
46	691557	1	Camshaft

Ref. No.	Part No.	Qty.	Description
146	691639	1	Timing Key
377	808095	1	Woodruff Key
598	807625	1	End Play Shim
741	691530	1	Timing Gear
1025	690689	1	Governor Spool



Assemblies include all parts shown in frames.

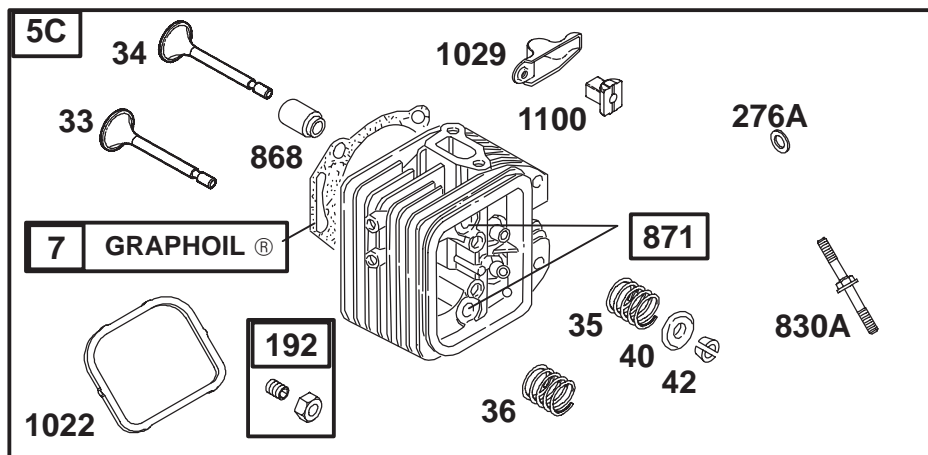
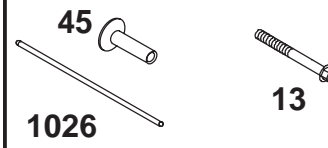
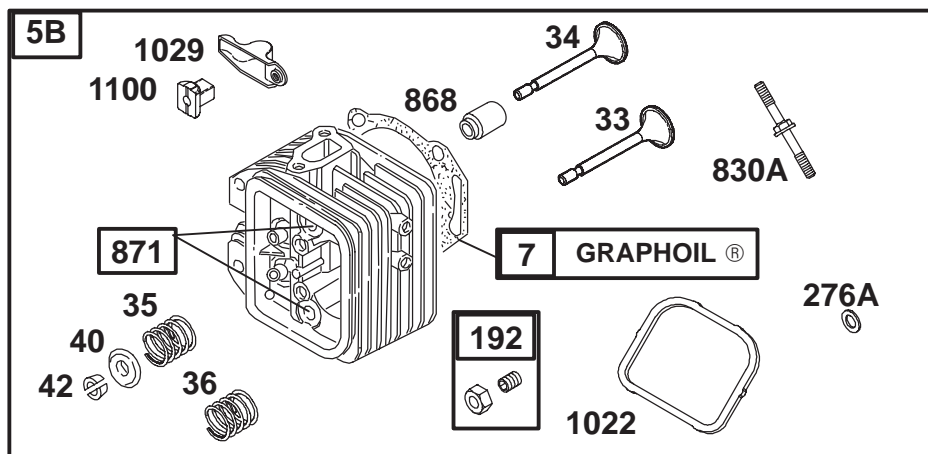
## Cylinder Head Assembly Briggs and Stratton Model 350447-1331-E1

Ref. No.	Part No.	Qty.	Description
5	809185	1	Cylinder Head (No. 1) (Used After Date Code 01120200)
5A	809186	1	Cylinder Head (No. 2) (Used After Date Code 01120200)
Δ★7	690888	1	Cylinder Head Gasket
13	692059	1	Screw (Cylinder Head)
33	807681	1	Exhaust Valve
34	807680	1	Intake Valve
35	692084	1	Valve Spring (Intake)
36	692084	1	Valve Spring (Exhaust)
40	692058	1	Valve Retainer
42	807683	1	Valve Retainer
45	690977	1	Valve Tappet
192	807623	1	Rocker Arm Adjuster
276A	807085	1	Sealing Washer
337	496018	1	Sparkplug
383	19374	1	Sparkplug Wrench

Ref. No.	Part No.	Qty.	Description
613	691902	1	Screw (Exhaust Manifold)
635	692076	1	Sparkplug Boot
830	809157	1	Stud (Rocker Arm)
868	691963	1	Valve Seal
871	692057	1	Bushing Guide
883	691613	1	Exhaust Gasket
Δ★1022	806039	1	Rocker Cover Gasket
1026	691836	1	Push Rod (Steel-Intake)
	691758	1	Push Rod (Aluminum-Exhaust)
1029	691543	1	Rocker Arm
1100	690973	1	Rocker Arm Pivot
1254	807084	1	Screw (Rocker Arm Stud)

Δ Included in Valve Overhaul Gasket Set-Ref. 1095.

★ Included in Engine Gasket Set-Ref. 358.



Assemblies include all parts shown in frames.

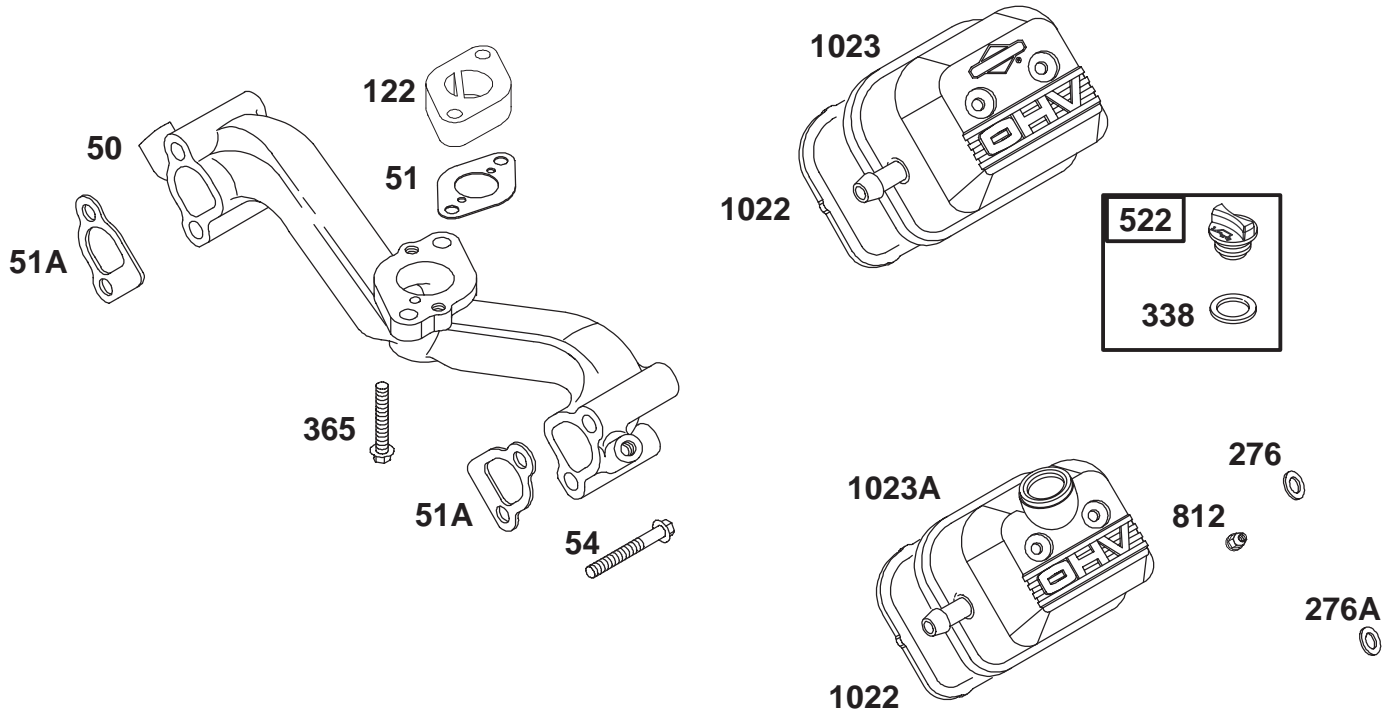
## Cylinder Head Assembly Briggs and Stratton Model 350447-1331-E1

Ref. No.	Part No.	Qty.	Description
5B	808383	1	Cylinder Head (No. 1) (Used Before Date Code 01120300)
5C	808384	1	Cylinder Head (No. 2) (Used Before Date Code 01120300)
Δ★7	690888	1	Cylinder Head Gasket
13	692059	1	Screw (Cylinder Head)
33	807681	1	Exhaust Valve
34	807680	1	Intake Valve
35	692084	1	Valve Spring (Intake)
36	692084	1	Valve Spring (Exhaust)
40	692058	1	Valve Retainer
42	807683	1	Valve Retainer
45	690977	1	Valve Tappet
192	807623	1	Rocker Arm Adjuster
276A	691766	1	Sealing Washer (Used Before Date Code 01120300)

Ref. No.	Part No.	Qty.	Description
830A	691544	1	Stud (Rocker Arm) (Used Before Date Code 01120300)
868	691963	1	Valve Seal
871	692057	1	Bushing Guide
Δ★1022	806039	1	Rocker Cover Gasket
1026	691836	1	Push Rod (Steel-Intake)
	691758	1	Push Rod (Aluminum-Exhaust)
1029	691543	1	Rocker Arm
1100	690973	1	Rocker Arm Pivot

Δ Included in Valve Overhaul Gasket Set-Ref. 1095.

★ Included in Engine Gasket Set-Ref. 358.



Assemblies include all parts shown in frames.

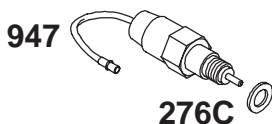
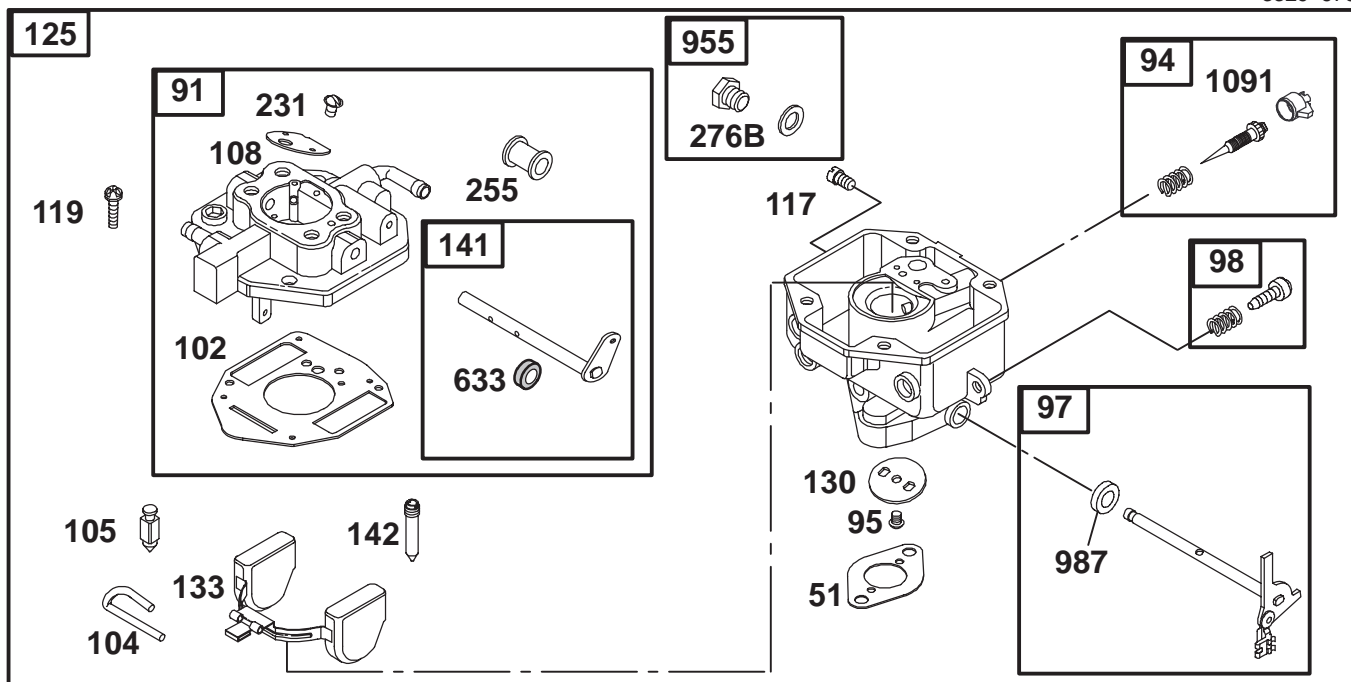
## Intake Manifold and Rocker Cover Assembly Briggs and Stratton Model 350447-1331-E1

Ref. No.	Part No.	Qty.	Description
50	690754	1	Intake Manifold
★51	691694	1	Intake Gasket
Δ★51A	692035	1	Intake Gasket
54	690676	1	Screw (Intake Manifold)
122	690691	1	Carburetor Spacer
276	807085	1	Sealing Washer (Used After Date Code 01120200)
276A	691766	1	Sealing Washer (Used Before Code Date 01120300)
338	691312	1	Dipstick Gasket
365	690711	1	Screw (Carburetor)
522	491832	1	Dipstick/Fill Plug
812	692055	1	Nut (Rocker Arm Cover) (Used Before Code Date 01120300)
Δ★1022	806039	1	Rocker Cover Gasket
1023	691494	1	Rocker Cover
1023A	690910	1	Rocker Cover

Ref. No.	Part No.	Qty.	Description

Δ Included in Valve Overhaul Gasket Set—Ref. 1095.

★ Included in Engine Gasket Set—Ref. 358.



Assemblies include all parts shown in frames.

## Carburetor Assembly Briggs and Stratton Model 350447-1331-E1

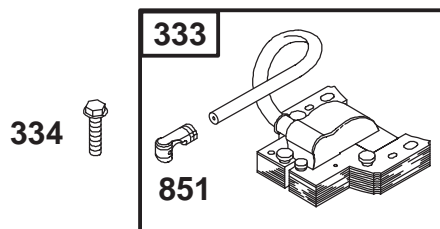
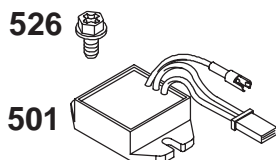
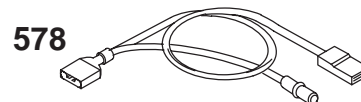
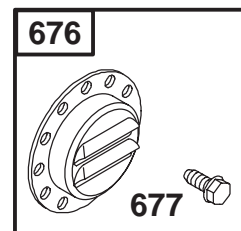
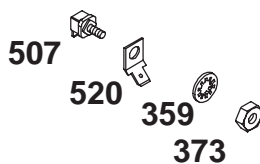
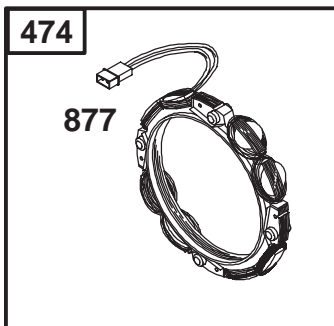
Ref. No.	Part No.	Qty.	Description
★51	691694	1	Intake Gasket
91	809208	1	Upper Carburetor Body
●94	808257	1	Idle Mixture Kit
●95	690718	1	Screw (Throttle Valve)
97	808973	1	Throttle Shaft Kit
98	808981	1	Idle Speed Kit
●102	692077	1	Carburetor Body Gasket
●104	690723	1	Float Hinge Pin
●105	692078	1	Float Needle Valve
108	690719	1	Choke Valve
109	809096	1	Choke Shaft
●117	808406	1	Main Jet (Standard)
119	690720	1	Screw (Upper to Lower Carburetor Body)
125	809209	1	Carburetor
130	690726	1	Throttle Valve
133	806961	1	Carburetor Float
●142	690725	1	Carburetor Nozzle
●231	690718	1	Screw (Choke Valve)
●255	690721	1	Choke Shaft Bushing
●276B	690724	1	Sealing Washer
276C	806137	1	Sealing Washer
●633	690722	1	Choke/Throttle Shaft

Ref. No.	Part No.	Qty.	Description
			Seal
947	692094	1	Fuel Solenoid
955	807723	1	Carburetor Plug
●987	806131	1	Throttle Shaft Seal
●1091	691516	1	Limiter Cap

● Included in Carburetor Overhaul Kit—Ref. 121.

★ Included in Engine Gasket Set—Ref. 358.



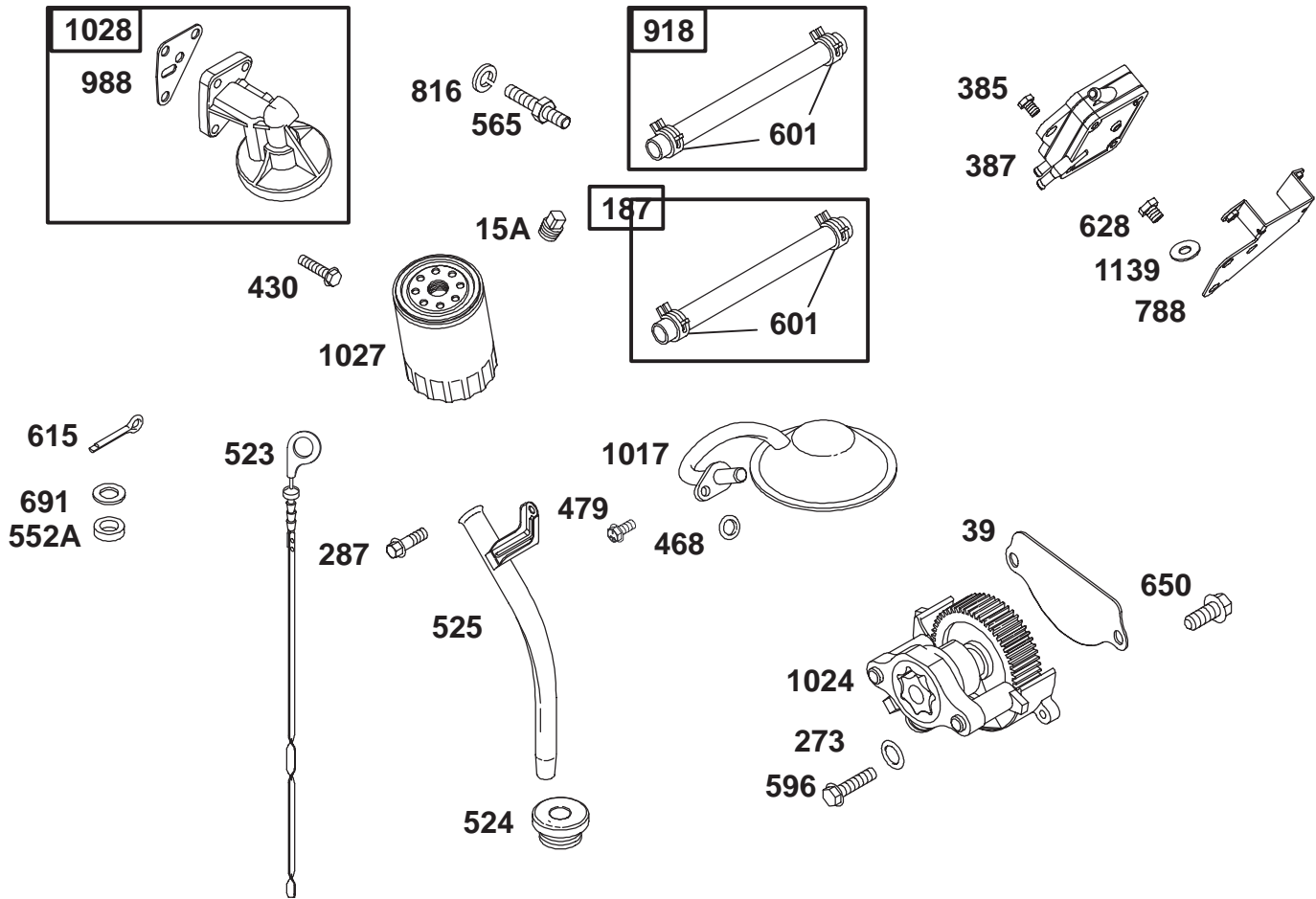


Assemblies include all parts shown in frames.

## Alternator Assembly Briggs and Stratton Model 350447-1331-E1

Ref. No.	Part No.	Qty.	Description
333	492341	1	Magneto Armature
334	692066	1	Screw (Magneto Armature)
359	691077	1	Washer (Ground Terminal)
373	691612	1	Nut (Ground Terminal)
474	696458	1	Alternator
501	691185	1	Regulator
507	691972	1	Insulator
520	691084	1	Ground Terminal
526	692067	1	Screw (Regulator)
529	690744	1	Grommet
578	692319	1	Wire Assembly
676	397630	1	Muffler Deflector
677	690661	1	Screw (Muffler Deflector)
729	690586	1	Wire Clip
851	493880	1	Sparkplug Terminal
877	399916	1	Alternator Harness
1054	280275	1	Cable Tie
1119	691552	1	Screw (Alternator)

Ref. No.	Part No.	Qty.	Description



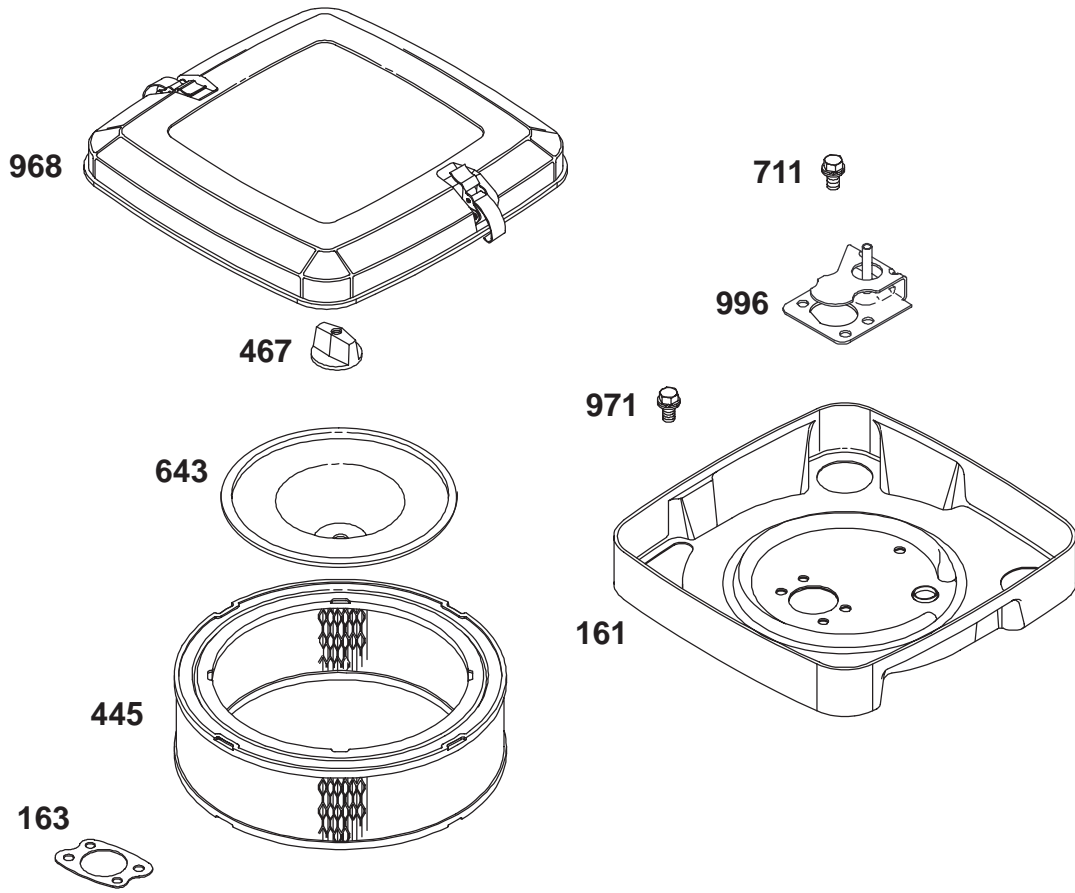
Assemblies include all parts shown in frames.

## Fuel Pump, Oil Pump and Dipstick Assembly Briggs and Stratton Model 350447-1331-E1

Ref. No.	Part No.	Qty.	Description
15A	690283	1	Oil Drain Plug
39	690745	1	Oil Deflector
187	691050	1	Fuel Line (Cut to Required Length)
★273	690681	1	O-Ring Seal (Oil Pump)
287	692062	1	Screw (Dipstick Tube)
385	693169	1	Screw (Fuel Pump)
387	808969	1	Fuel Pump
430	690679	1	Bolt (Oil Pump)
★468	690690	1	O-Ring Seal (Oil Pump Screen)
479	807084	1	Screw (Oil Pump Screen)
523	693175	1	Dipstick
524	693172	1	Dipstick Tube Seal
525	693174	1	Dipstick Tube
552A	690701	1	Governor Crank Bushing
565	690682	1	Stud (Oil Filter)
596	691492	1	Screw (Oil Pump)
601	691038	1	Hose Clamp
615	691550	1	Governor Shaft

Ref. No.	Part No.	Qty.	Description
			Retainer
628	692062	1	Screw (Pump Bracket)
650	692539	1	Screw (Oil Deflector)
691	690680	1	Governor Shaft Seal
788	691559	1	Pump Bracket
816	690706	1	Washer (Oil Filter)
918	393815	1	Vacuum Hose
★988	692063	1	Oil Adapter Gasket
1017	690900	1	Oil Pump Screen
1024	693185	1	Oil Pump
1027	492932	1	Oil Filter
1028	808235	1	Oil Filter Adapter
1139	806497	1	Washer (Fuel Pump Bracket)

★ Included in Engine Gasket Set-Ref. 358.

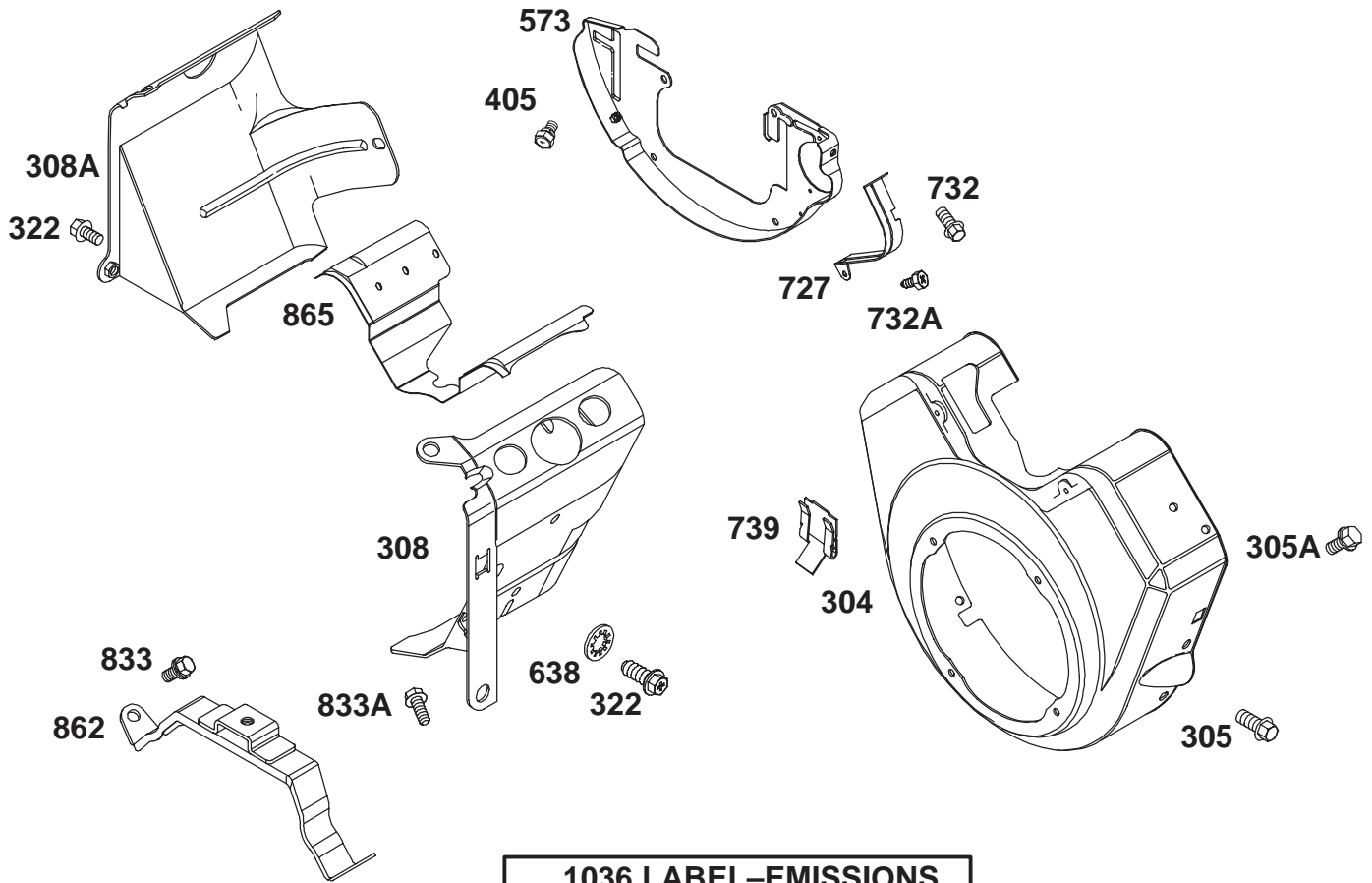


Assemblies include all parts shown in frames.

## Air Cleaner Assembly Briggs and Stratton Model 350447-1331-E1

Ref. No.	Part No.	Qty.	Description
161	691561	1	Air Cleaner Base
163	692081	1	Air Cleaner Gasket
445	394018	1	Air Cleaner Cartridge Filter
467	691985	1	Air Cleaner Knob
643	692079	1	Air Filter Retainer
711	692539	1	Screw (Carburetor Shield)
968	692097	1	Air Cleaner Cover
971	692537	1	Screw (Air Cleaner Base)
996	691577	1	Carburetor Shield

Ref. No.	Part No.	Qty.	Description

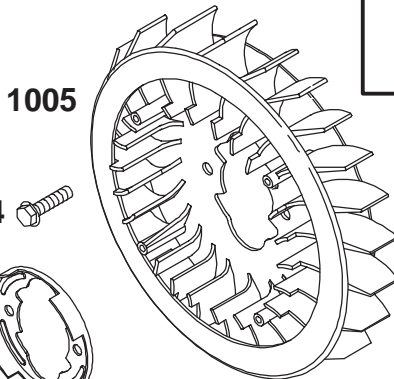
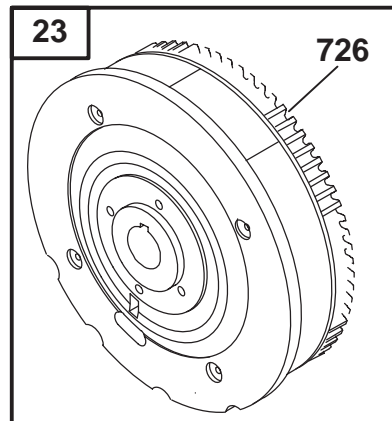
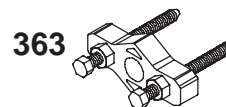
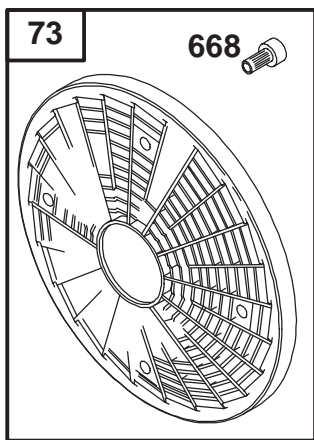


Assemblies include all parts shown in frames.

## Blower Housing Assembly Briggs and Stratton Model 350447-1331-E1

Ref. No.	Part No.	Qty.	Description
304	690929	1	Blower Housing
305	692539	1	Screw (Blower Housing)
305A	692056	1	Screw (Blower Housing)
308	806547	1	Cylinder Head Cover (Cylinder #1)
308A	806546	1	Cylinder Head Cover (Cylinder #2)
322	692539	1	Screw (Cylinder Head Cover)
405	807163	1	Screw (Back Plate)
573	690902	1	Back Plate
638	691551	1	Washer (Cylinder Head Cover)
727	690714	1	Starter Drive Cover
732	692539	1	Screw (Starter Drive Cover)
732A	690688	1	Screw (Starter Drive Cover)
739	690451	1	Debris Clip
833	692539	1	Screw (Cleaner Mounting Strap)
833A	690872	1	Screw (Cleaner

Ref. No.	Part No.	Qty.	Description
862	692153	1	Mounting Strap) Cleaner Mounting Strap
865	690750	1	Air Guide Cover
1036	806885	1	Emissions Label



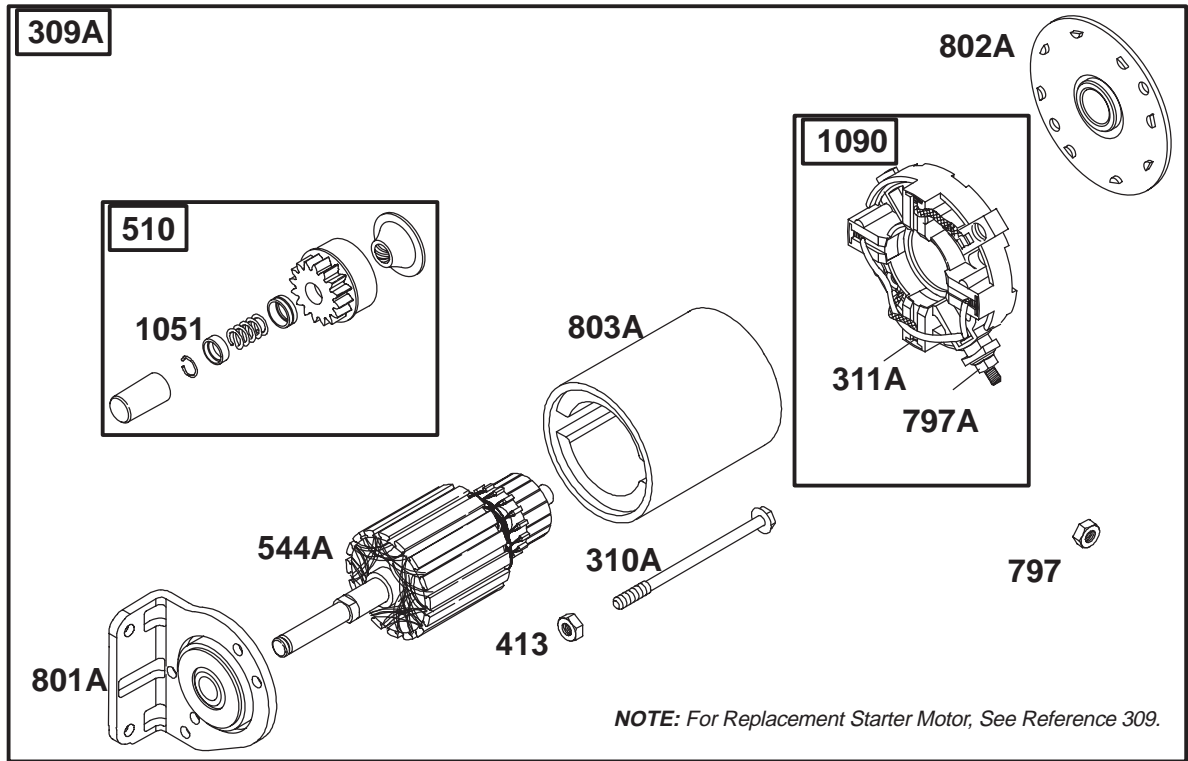
Assemblies include all parts shown in frames.

## Flywheel Assembly Briggs and Stratton Model 350447-1331-E1

Ref. No.	Part No.	Qty.	Description
23	808768	1	Flywheel
73	494439	1	Rotating Screen
74	691647	1	Screw (Rotating Screen)
332	690887	1	Nut (Flywheel)
363	19203	1	Flywheel Puller
668	691500	1	Spacer
726		1	Ring Gear (Sold in Flywheel Kit Only, See Ref. 23)
934	691058	1	Screw (Fan Retainer)
1005	690911	1	Flywheel Fan
1006	690452	1	Fan Retainer

Ref. No.	Part No.	Qty.	Description





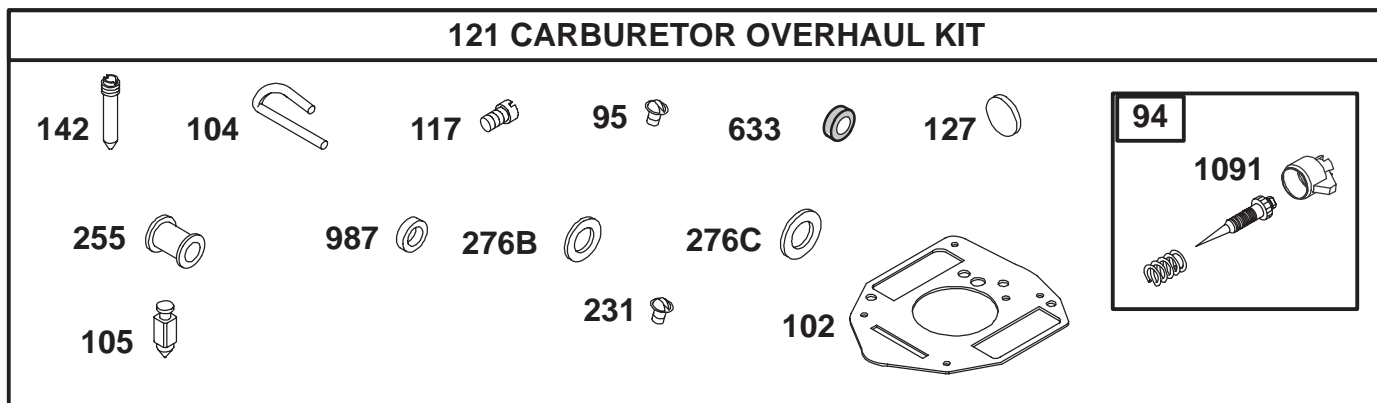
Assemblies include all parts shown in frames.

## Starter Assembly Briggs and Stratton Model 350447-1331-E1

Ref. No.	Part No.	Qty.	Description
309A			Starter Motor (For Replacement Starter Motor, See Ref. 309)
310A	690323	1	Screw (Starter Motor)
311A	497608	1	Brush Set
413	693587	1	Nut (Starter Motor)
510	496881	1	Starter Drive
544A	693548	1	Starter Armature
797	691029	1	Nut (Starter Cable)
797A	693167	1	Nut (Starter Cable)
801A	808777	1	Drive Cap
802A	691286	1	End Cap
803A	693547	1	Starter Housing
1051	691124	1	Ring-Retaining
1090	691293	1	Brush Retainer

Ref. No.	Part No.	Qty.	Description





Assemblies include all parts shown in frames.

## Carburetor Overhaul Kit Assembly Briggs and Stratton Model 350447-1331-E1

Ref. No.	Part No.	Qty.	Description
●94	808257	1	Idle Mixture Kit
●95	690718	1	Screw (Throttle Valve)
●102	692077	1	Carburetor Body Gasket
●104	690723	1	Float Hinge Pin
●105	692078	1	Float Needle Valve
●117	806126	1	Main Jet
121	808395	1	Carburetor Overhaul Kit
●127	690727	1	Welch Plug
●142	806128	1	Carburetor Nozzle
●231	690718	1	Screw (Choke Valve)
●255	690721	1	Choke Shaft Bushing
●276B	690724	1	Sealing Washer
●276C	806137	1	Sealing Washer
●633	690722	1	Choke/Throttle Shaft Seal
●987	806131	1	Throttle Shaft Seal
●1091	691516	1	Limiting Cap

Ref. No.	Part No.	Qty.	Description

● Included in Carburetor Overhaul Kit-Ref. 121.

