



Count on it.

Parts Catalog

22in Recycler®

Lawn Mower

Model No. 21464—Serial No. 411986087 and Up



Ordering Replacement Parts

To order replacement parts, please supply the part number, the quantity, and the description of each part desired.

Understanding Reference Numbers

Each identified part in an illustration has a reference number. The reference number for a part also appears in the parts list, along with other information about the part.

This catalog uses two special reference number formats, one to indicate parts in a service assembly and another to indicate the quantity of a given part in an illustration.

Service Assembly Reference Numbers

Parts in service assemblies have reference numbers in the form a:b. The a represents the reference number of the entire service assembly and the b represents a sequential number unique to each part within the service assembly.

For example, a wheel assembly might be identified by reference number 6, the tire by 6:1, the valve by 6:2, and the wheel by 6:3. When you order the assembly identified by reference number 6, you receive all parts identified by reference numbers 6:1, 6:2, and 6:3. However, you may also order any part individually. Reference numbers of this type appear in illustration and in parts lists.

Reference Numbers Indicating Quantity

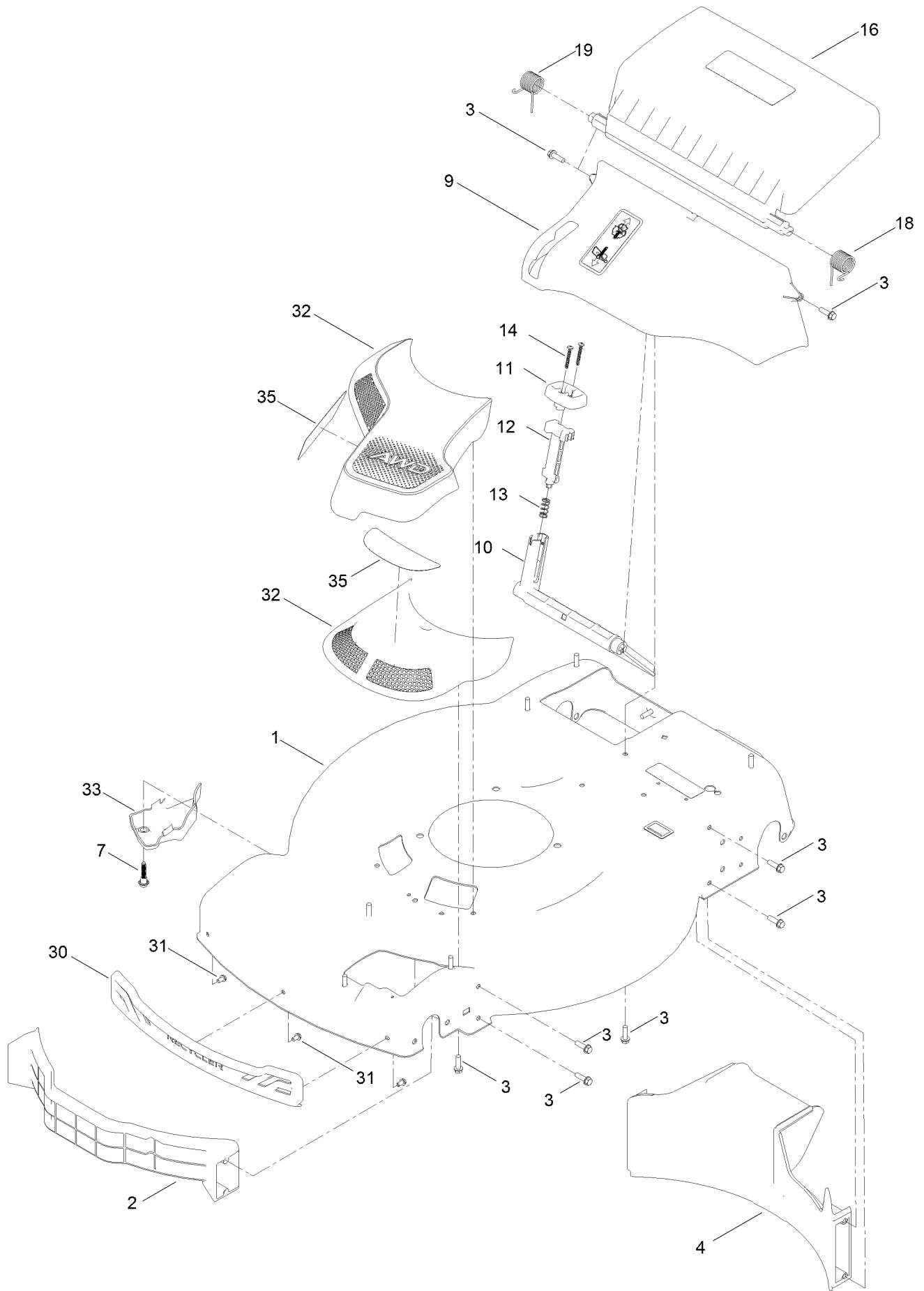
In an illustration, if a reference number indicates more than one part, the reference number has the form nX y. The n represents the quantity of the part, the X is the multiplication symbol, and the y represents the reference number.

For example, in an illustration, the reference number 2X 37 means that two of the parts identified by reference number 37 are indicated.

Contents

Housing Assembly	4
Grass Bag Assembly	6
Decal Assembly	8
Engine and Blade Assembly	10
Front Wheel and Height-of-Cut Assembly	12
Rear Wheel and Height-of-Cut Assembly	14
Handle Assembly	16
Electrical Assembly	18
Battery Charger Assembly	20
Attachments and Accessories	22

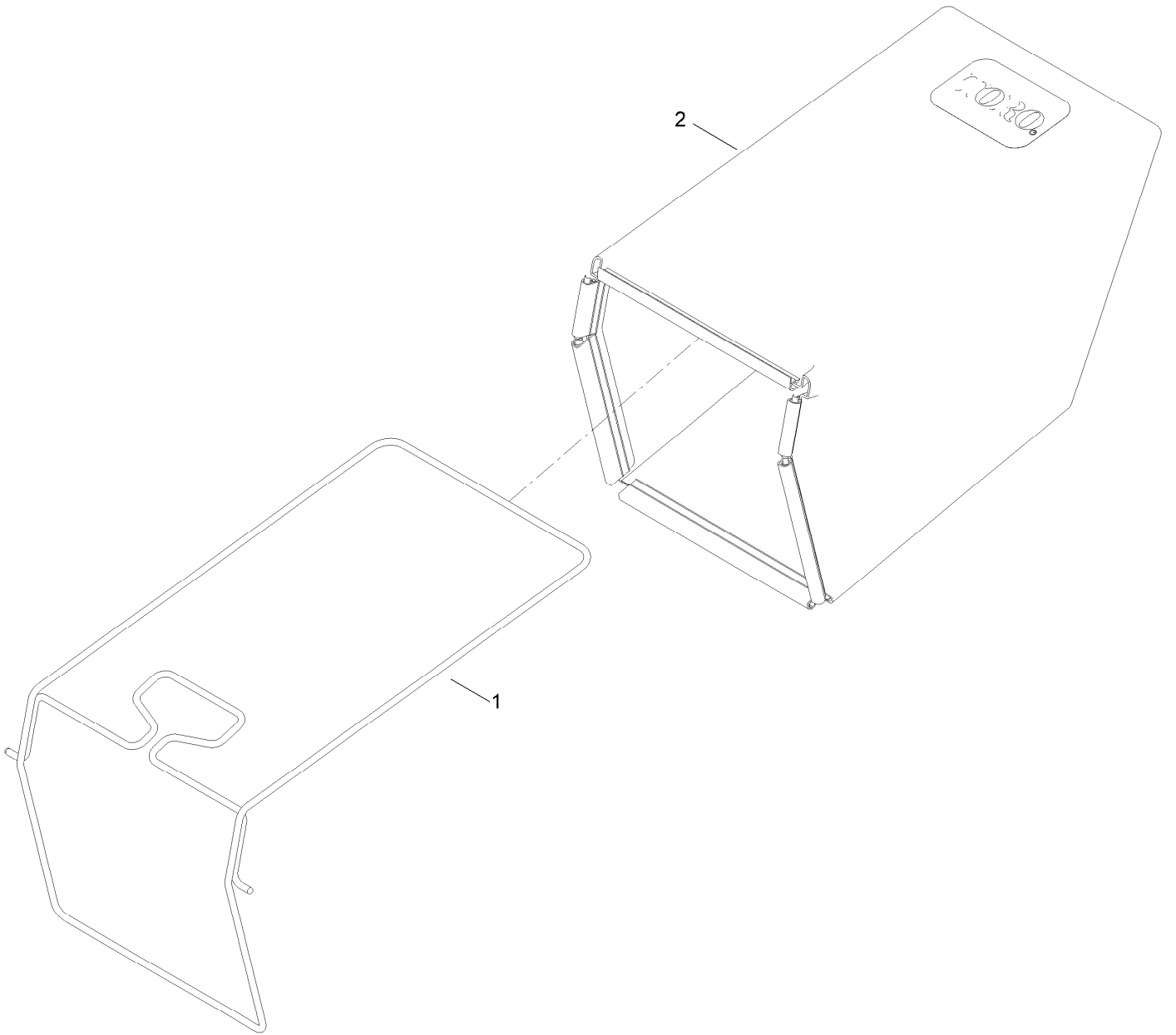
Housing Assembly



Housing Assembly (continued)

<i>Ref.</i>	<i>Part Number</i>	<i>Qty.</i>	<i>Description</i>	<i>Ref.</i>	<i>Part Number</i>	<i>Qty.</i>	<i>Description</i>
1	144-3192	1	Housing ASM	14	32104-120	2	Screw-PPH
2	144-6427	1	Baffle-Front	16	139-5476	1	ASM-Rear Door, In Mold
3	46-8091	17	Screw-HWH	18	139-5478	1	Spring-Torsion, LH
4	139-5440	1	Baffle-Rear, Rwd	19	139-5479	1	Spring-Torsion, RH
7	131-0837	1	Screw-Shoulder, HHF	30	139-5457	1	Bumper-Front
9	140-2368	1	ASM-Chute, In Mold	31	139-5467	3	Screw-Plastic, HWH
10	139-5443	1	Deflector-Recycle	32	144-0210	1	ASM-Intake, Rwd
11	139-5444	1	Knob-Recycle	33	140-2384	1	Cover-Intake, Bottom
12	139-5445	1	Latch-Recycle	35	140-4185	1	Decal
13	140-4192	1	Spring-Compression				

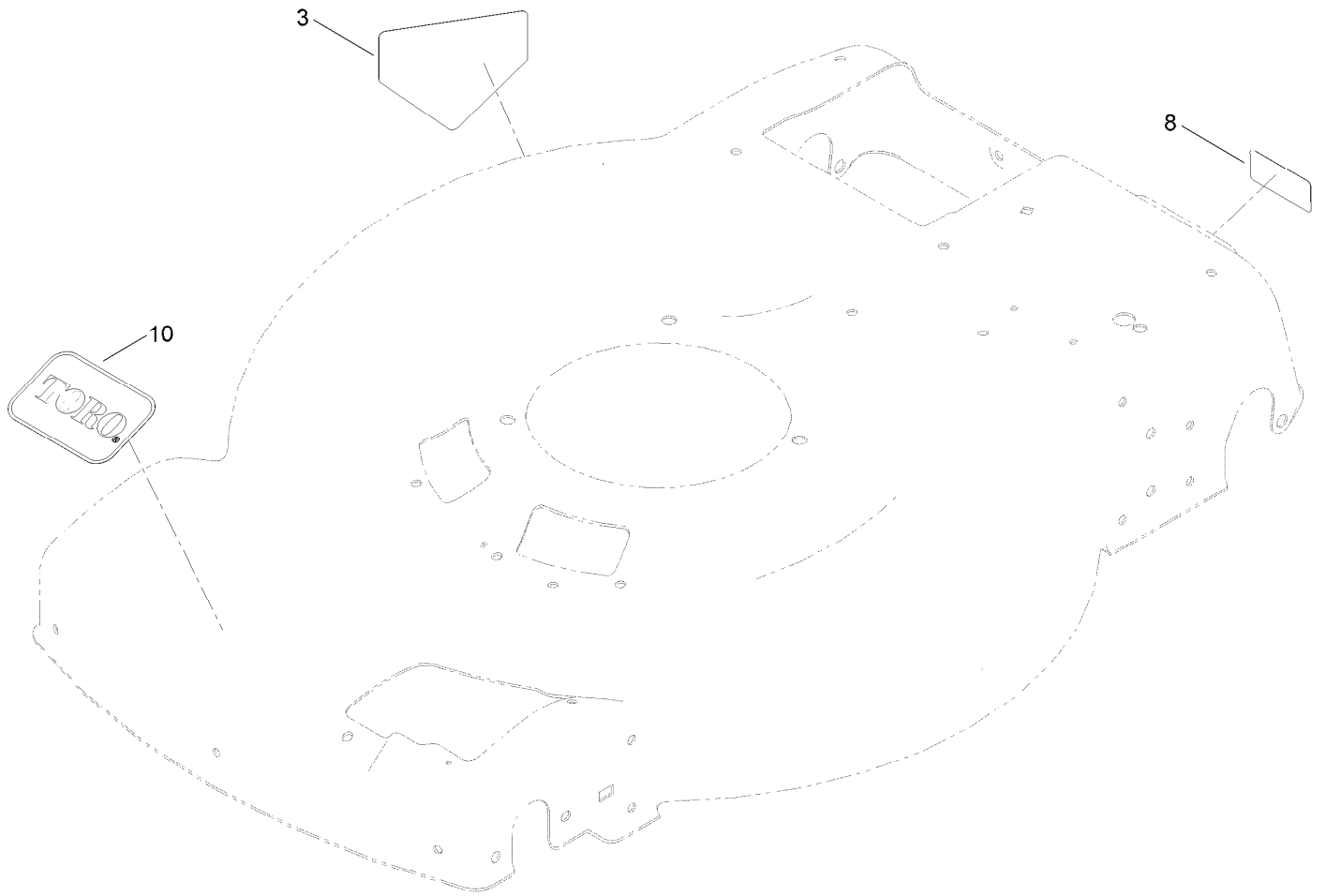
Grass Bag Assembly



Grass Bag Assembly (continued)

<i>Ref.</i>	<i>Part Number</i>	<i>Qty.</i>	<i>Description</i>
1	139-5470-03	1	ASM-Frame, Bag
2	139-5471	1	ASM-Bag, Grass

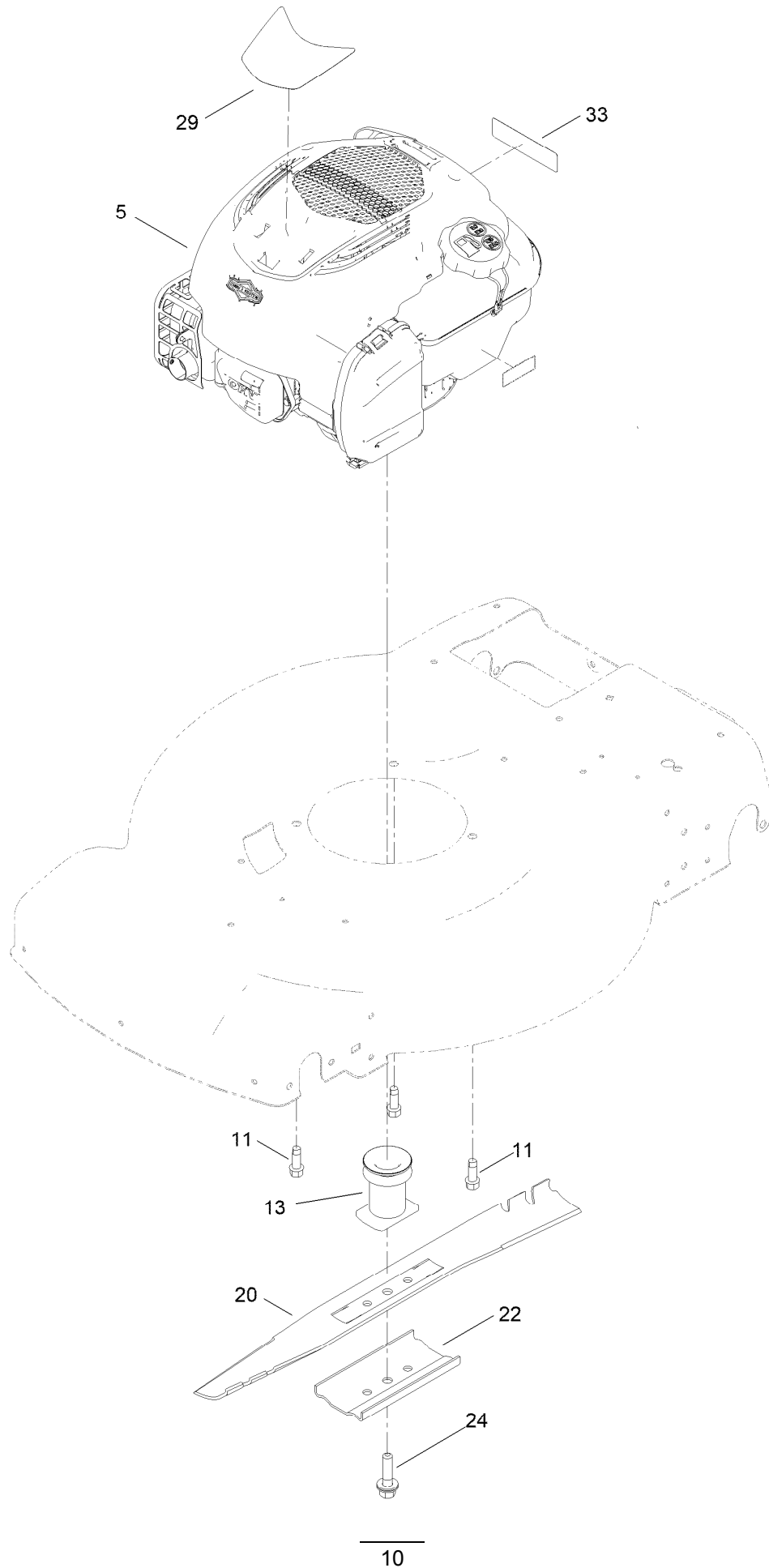
Decal Assembly



Decal Assembly (continued)

<i>Ref.</i>	<i>Part Number</i>	<i>Qty.</i>	<i>Description</i>
3	94-8072	1	Decal-Danger
8	121-5684	1	Decal-Location, Service Dealer
10	140-4183	1	Decal

Engine and Blade Assembly



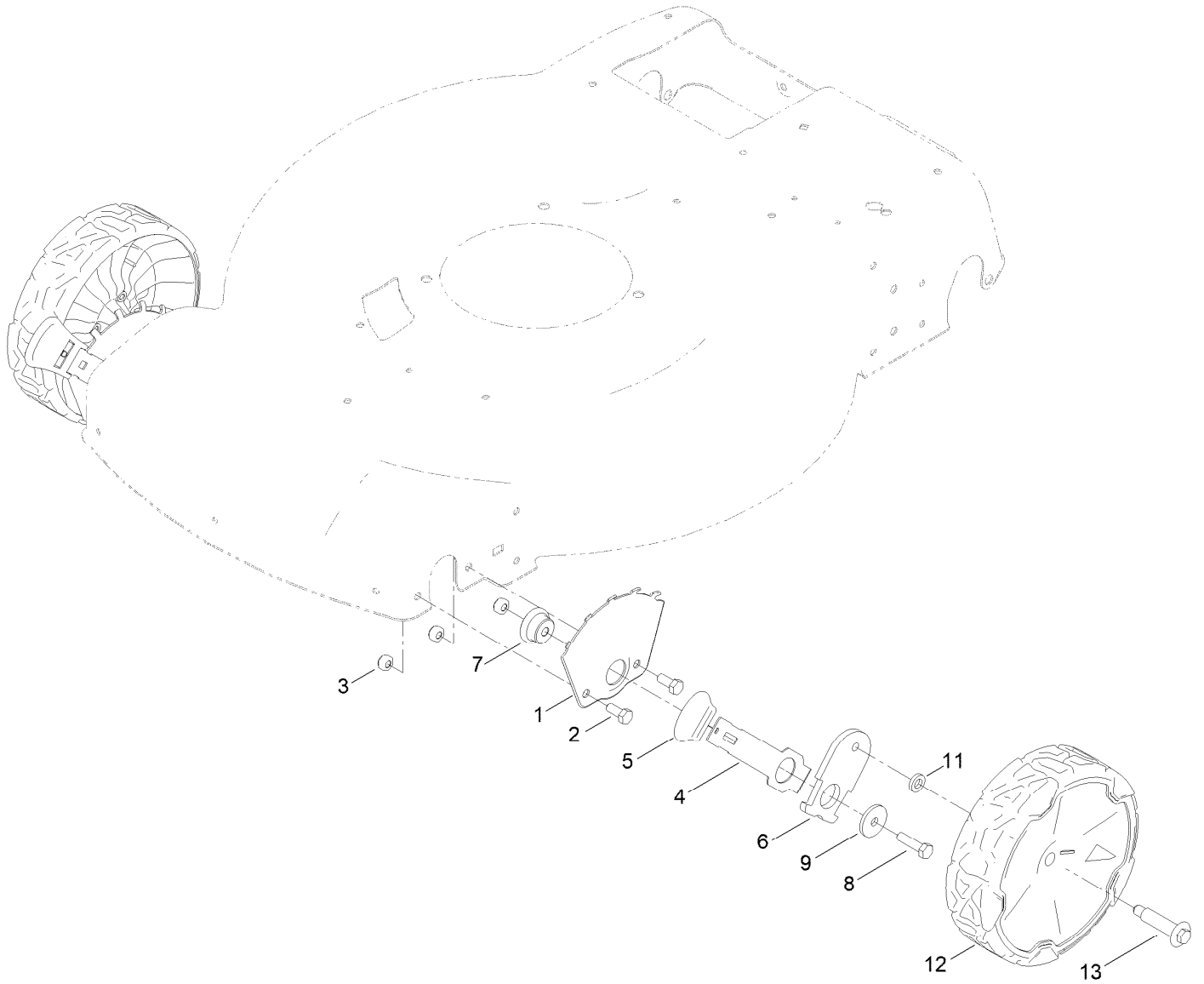
Engine and Blade Assembly (continued)

<i>Ref.</i>	<i>Part Number</i>	<i>Qty.</i>	<i>Description</i>	<i>Ref.</i>	<i>Part Number</i>	<i>Qty.</i>	<i>Description</i>
5		1	Engine-Briggs, 625 Exi ES ●■	22	108-3766-03	1	Support-Blade
11	121-5844	3	Screw-Thd Form, HWH	24	125-2466	1	Bolt-Blade
13	139-1816	1	Driver-Blade	29	140-4249	1	Decal - Briggs 625 Ex ES
20	131-4547-03	1	Blade-22 Inch	33	133-8062	1	Decal-Spark Arrestor

● Not serviced separately

■ Obtain parts from www.briggsandstratton.com

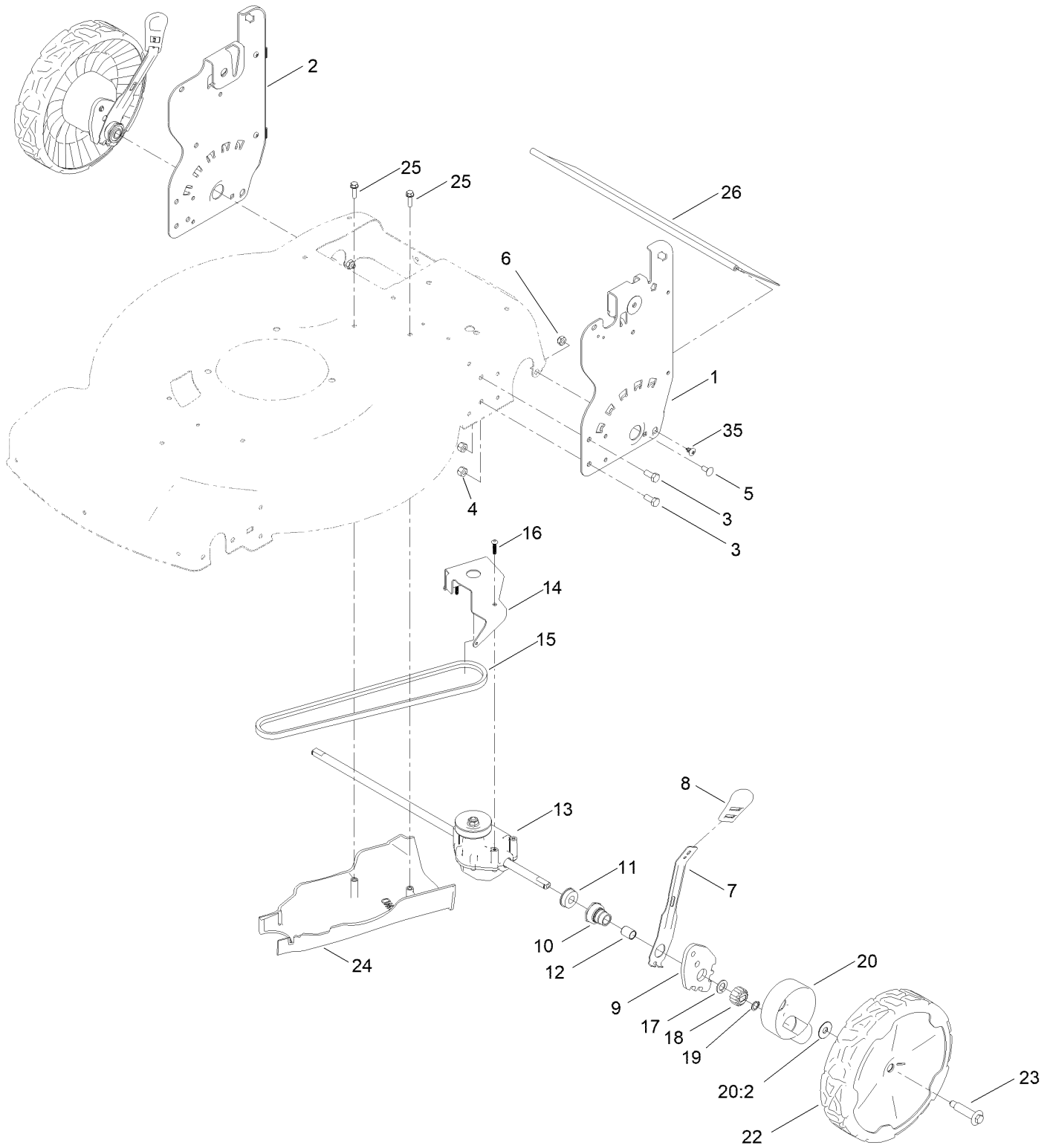
Front Wheel and Height-of-Cut Assembly



Front Wheel and Height-of-Cut Assembly (continued)

<i>Ref.</i>	<i>Part Number</i>	<i>Qty.</i>	<i>Description</i>	<i>Ref.</i>	<i>Part Number</i>	<i>Qty.</i>	<i>Description</i>
1	115-1956-05	2	Plate-HOC,Front Fsvq	7	105-1818	2	Bushing-Mount, HOC
2	322-3	4	Screw-HH	8	322-6	2	Screw-HH
3	3296-29	6	Nut-Lock, NI	9	105-3048	2	Washer-Flat
4	105-1809	2	Arm-Spring	11	139-5449	2	Washer-Wheel Bolt
5	105-3042	2	Knob-Lever, HOC	12	140-2355	2	ASM-8" Wheel, Idler
6	137-9128	2	Arm-Pivot, Front	13	139-1789	2	Wheel Bolt

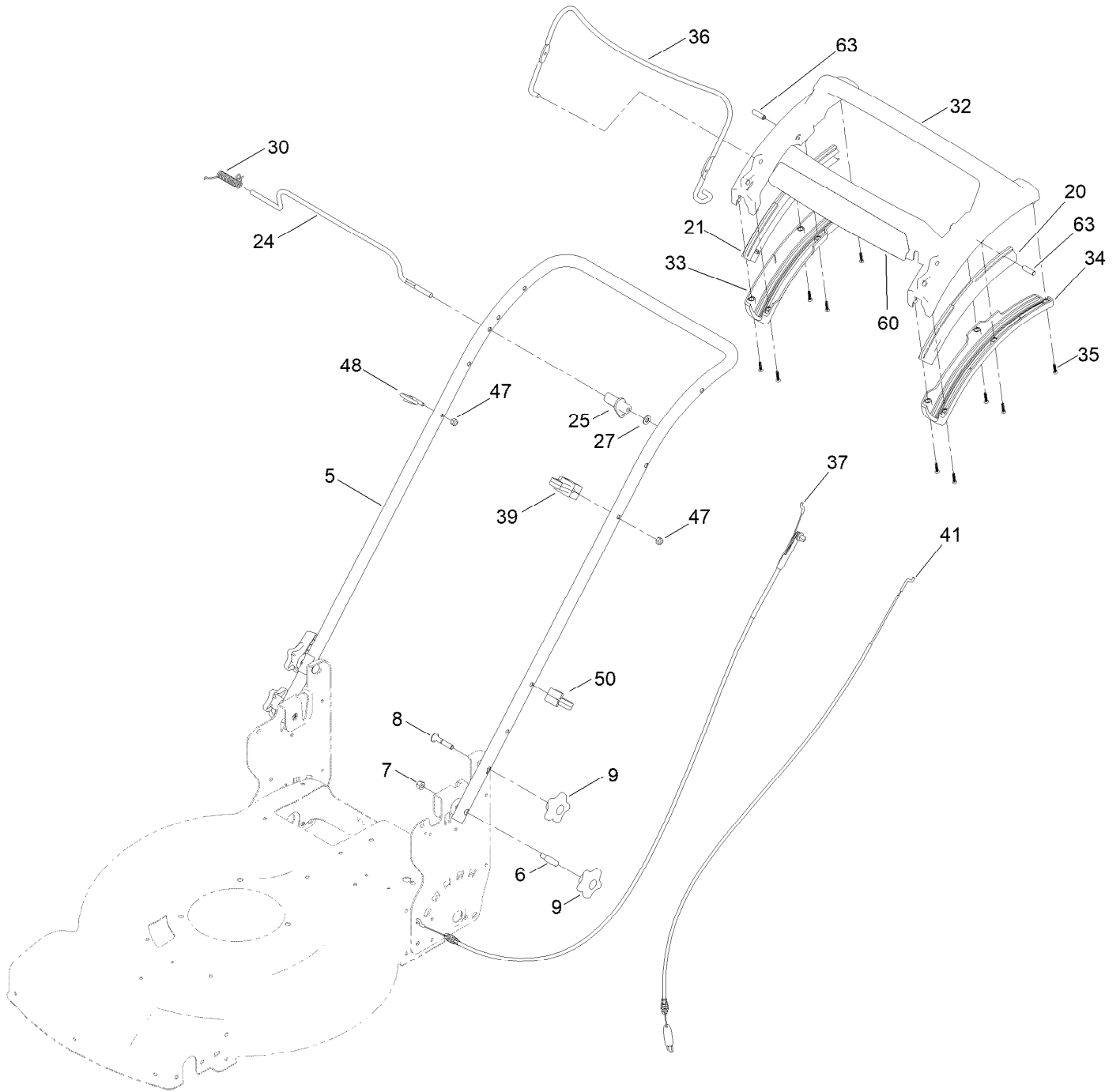
Rear Wheel and Height-of-Cut Assembly



Rear Wheel and Height-of-Cut Assembly (continued)

<i>Ref.</i>	<i>Part Number</i>	<i>Qty.</i>	<i>Description</i>	<i>Ref.</i>	<i>Part Number</i>	<i>Qty.</i>	<i>Description</i>
1	144-6476-05	1	Plate-HOC, LH	15	140-4041	1	V-Belt
2	144-6515-05	1	Plate-HOC, RH (ISO)	16	108-7476	3	Screw-Plastite
3	322-3	4	Screw-HH	17	110-7191	2	Washer-Thrust
4	3296-29	4	Nut-Lock, NI	18	131-5399	2	Gear-Pinion, 15T
5	3229-11	2	Screw-CARR	19	32151-61	2	Ring-Retaining
6	3296-16	2	Nut-Lock, NI	20	140-2362	2	ASM-Cover, Gear (Dk Gray)
7	132-4486	2	Arm-Spring	20:2	614426	1	Washer-Stepped
8	105-3042	2	Knob-Lever, HOC	22	140-2350	2	ASM-9.65" Wheel, Geared
9	139-5451	2	Arm-Pivot, Rear	23	139-1789	2	Wheel Bolt
10	108-9779	2	Retainer-Bushing, HOC	24	139-5448	1	Cover-Belt, Rwd
11	104-8699	2	Bearing-Ball	25	46-8091	2	Screw-HWH
12	108-9782	2	Bushing-Sleeve	26	139-6597	1	Shield-Trailing
13	139-6561	1	Transmission-Rwd	35	117-1092	2	Screw-PTH
14	114-7977-03	1	Bracket-Transmission				

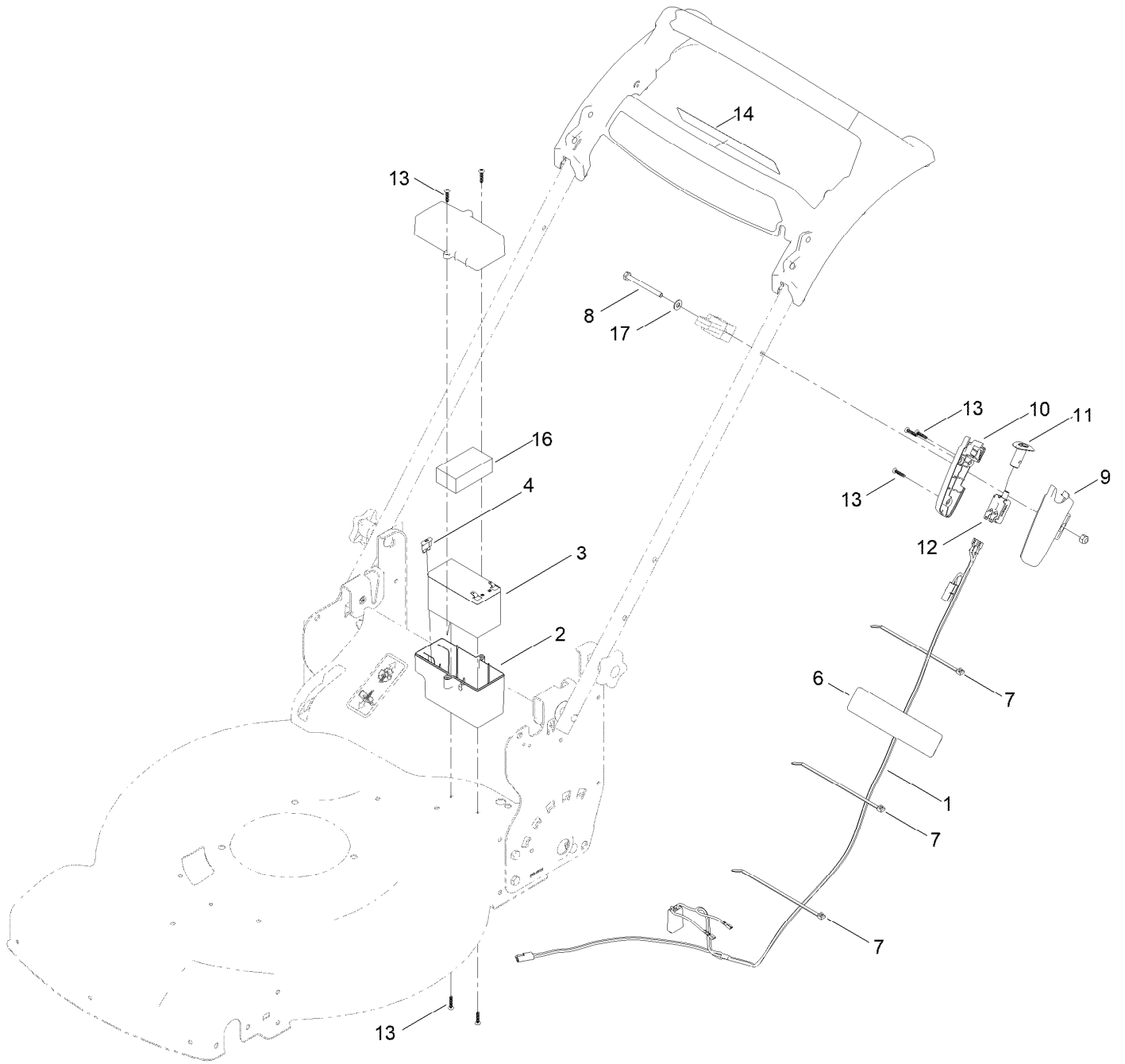
Handle Assembly



Handle Assembly (continued)

<i>Ref.</i>	<i>Part Number</i>	<i>Qty.</i>	<i>Description</i>	<i>Ref.</i>	<i>Part Number</i>	<i>Qty.</i>	<i>Description</i>
5	144-6516-05	1	Handle-Curved	33	139-6567	1	Bottom-Handle, RH
6	139-6599	2	Bolt-Shoulder, Handle	34	139-6568	1	Bottom-Handle, LH
7	3296-29	2	Nut-Lock, NI	35	94-4496	10	Screw-PPH
8	131-9663	2	Screw-CARR	36	145-5879-03	1	Bail-Brake
9	117-5976	2	Knob-Handle	37	139-6594	1	Cable-Brake, Pp B&s
20	140-2367	1	Guide-Curved, LH (Rwd)	39	139-6581	1	Anchor-Cable, Rwd
21	140-2366	1	Guide-Curved, RH (Rwd)	41	139-6595	1	Cable-Traction, Rwd (Pp)
24	139-5464	1	Rod-Control, Traction	47	3296-73	2	Nut-Lock, NI
25	139-6554	1	Lever-Traction, Rwd	48	86-9671	1	Guide-Rope
27	3256-23	1	Washer-Plain	50	114-7988	1	Guide-Cable
30	140-4194	1	Spring-Torsion	60	140-4187	1	Decal
32	139-6569	1	Handle-Personal Pace, Curved	63	139-6577	2	Pin-Handle, Pp

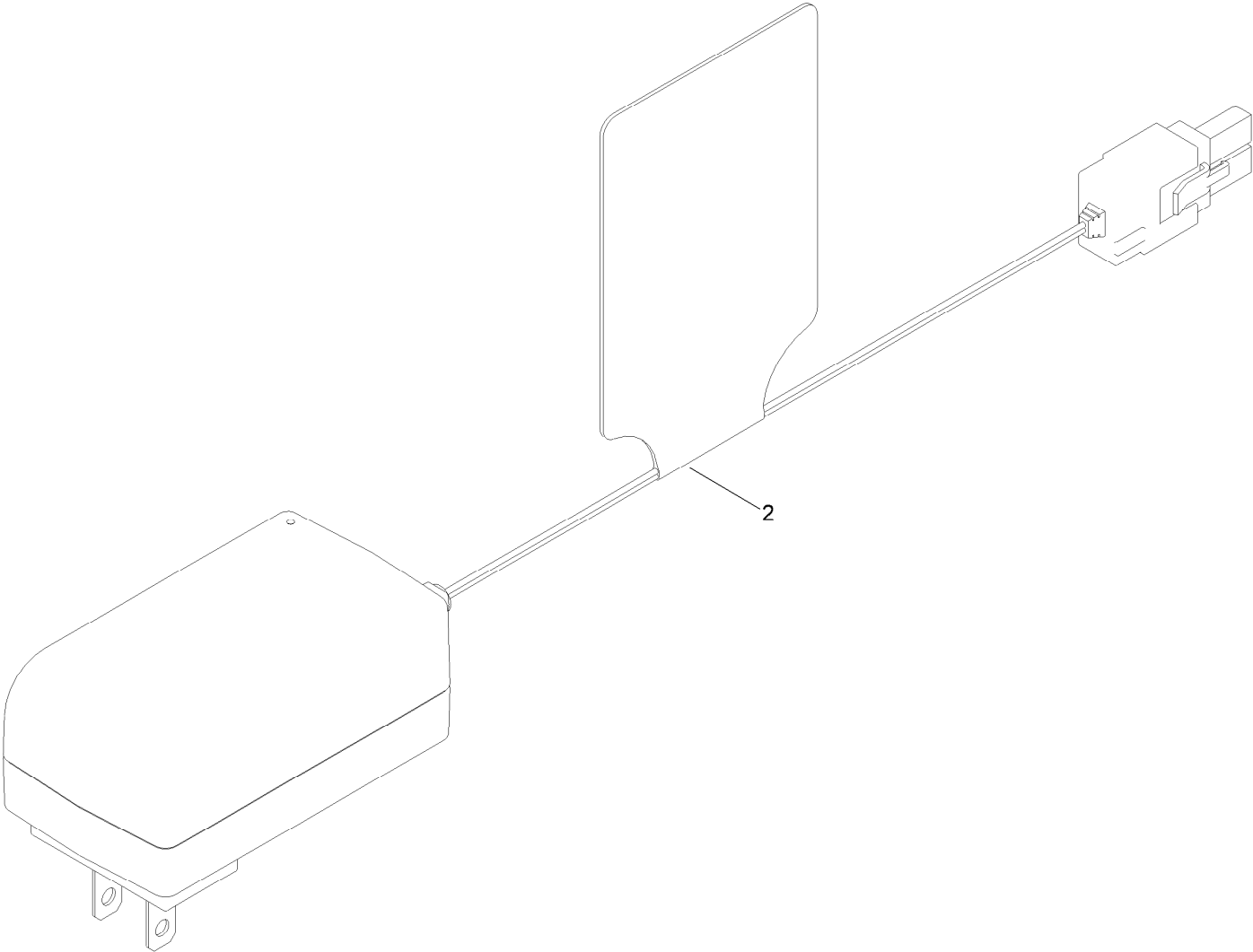
Electrical Assembly



Electrical Assembly (continued)

<i>Ref.</i>	<i>Part Number</i>	<i>Qty.</i>	<i>Description</i>	<i>Ref.</i>	<i>Part Number</i>	<i>Qty.</i>	<i>Description</i>
1	140-3924	1	Harness-Wire	9	133-8160	1	Housing-Switch, LH
2	144-6390	1	Battery Box ASM	10	133-8161	1	Housing-Switch, RH
3	127-0694	1	Battery-Wet, 12V 3.6Ah, Sealed	11	125-2470	1	Button-Switch
4	99-6124	1	Fuse-40 Amp	12	121-9173	1	Switch-Push Button
6	140-4357	1	Decal-Battery Charging	13	94-4496	7	Screw-PPH
7	614249	3	Tie-Cable	14	133-1900	1	Decal-Button, Push
8	321-57	1	Screw-HH	16	107-3774	1	Foam-Battery, Top
				17	3256-1	1	Washer-Flat

Battery Charger Assembly



Battery Charger Assembly (continued)

<i>Ref.</i>	<i>Part Number</i>	<i>Qty.</i>	<i>Description</i>
2	136-9126	1	Charger, Battery (12V)

Attachments and Accessories

For 21464 22in Recycler Lawn Mower

Product Name	Model/Part
Fuel Stabilizer .05 oz	130-2393
Briggs Maint Kit.....	130-8148
4-Cycle Fuel, Snow And Lawn 32oz Can	131-3823
Toro Premium Fuel Treatment 12oz Bottle.....	131-6572
Oil-30/10W-30 Synthetic (Quart).....	138-6053
Chute ASM	139-6556
Lawn Striping Kit with 22in Roller.....	20601
Toro 4-Cycle SAE 30 Oil (32oz Bottle)	38903
Summer Oil-Case of 24 (20oz Bottles).....	38916
Bag-Walk Behind (Toro).....	490-7318
Lawnmower Cover.....	490-7462
22 Inch Atomic Blade.....	59534P

For 21464 22in Recycler Lawn Mower

Product Name	Model/Part
Chute ASM	139-6556
Lawn Striping Kit with 22in Roller.....	20601
Power Clear 21in 60V Cordless (Bare Tool).....	39901T
Smart Stow Walk Power Mower Cover	490-2012
Bag-Walk Behind (Toro).....	490-7318
Lawnmower Cover.....	490-7462
60V Cordless Blower (Bare Tool).....	51820T
60V Cordless Trimmer (Bare Tool).....	51830T
60v 24in Max Hedge Trimmer (Bare Tool).....	51840T
16in 60V Max Chainsaw (Bare Tool)	51850T
60V Battery Charger 2 AMP	88602
60V LI-ION, Battery 4.0 AH	88640
60V LI-ION Battery 6.0 AH.....	88660
60V LI-ION Battery 7.5 AH.....	88675

Notes:



Count on it.