



Count on it.

Parts Catalog

High-Flow Hydraulic Kit

Workman® HD/HDX/HDX-D Series Utility Vehicle

Model No. 07316



Ordering Replacement Parts

To order replacement parts, please supply the part number, the quantity, and the description of each part desired.

Understanding Reference Numbers

Each identified part in an illustration has a reference number. The reference number for a part also appears in the parts list, along with other information about the part.

This catalog uses two special reference number formats, one to indicate parts in a service assembly and another to indicate the quantity of a given part in an illustration.

Service Assembly Reference Numbers

Parts in service assemblies have reference numbers in the form a:b. The a represents the reference number of the entire service assembly and the b represents a sequential number unique to each part within the service assembly.

For example, a wheel assembly might be identified by reference number 6, the tire by 6:1, the valve by 6:2, and the wheel by 6:3. When you order the assembly identified by reference number 6, you receive all parts identified by reference numbers 6:1, 6:2, and 6:3. However, you may also order any part individually. Reference numbers of this type appear in illustration and in parts lists.

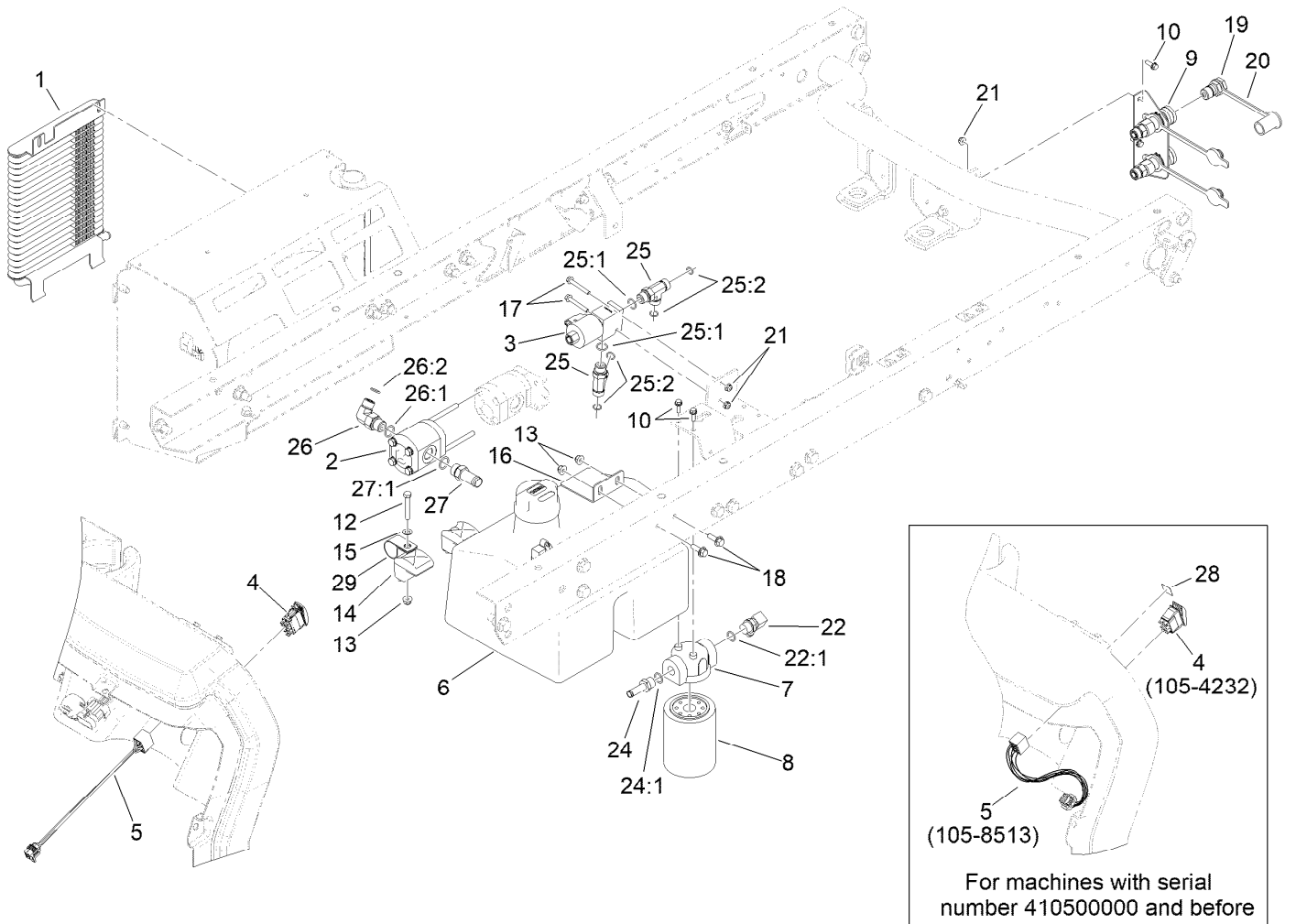
Reference Numbers Indicating Quantity

In an illustration, if a reference number indicates more than one part, the reference number has the form nX y. The n represents the quantity of the part, the X is the multiplication symbol, and the y represents the reference number.

For example, in an illustration, the reference number 2X 37 means that two of the parts identified by reference number 37 are indicated.

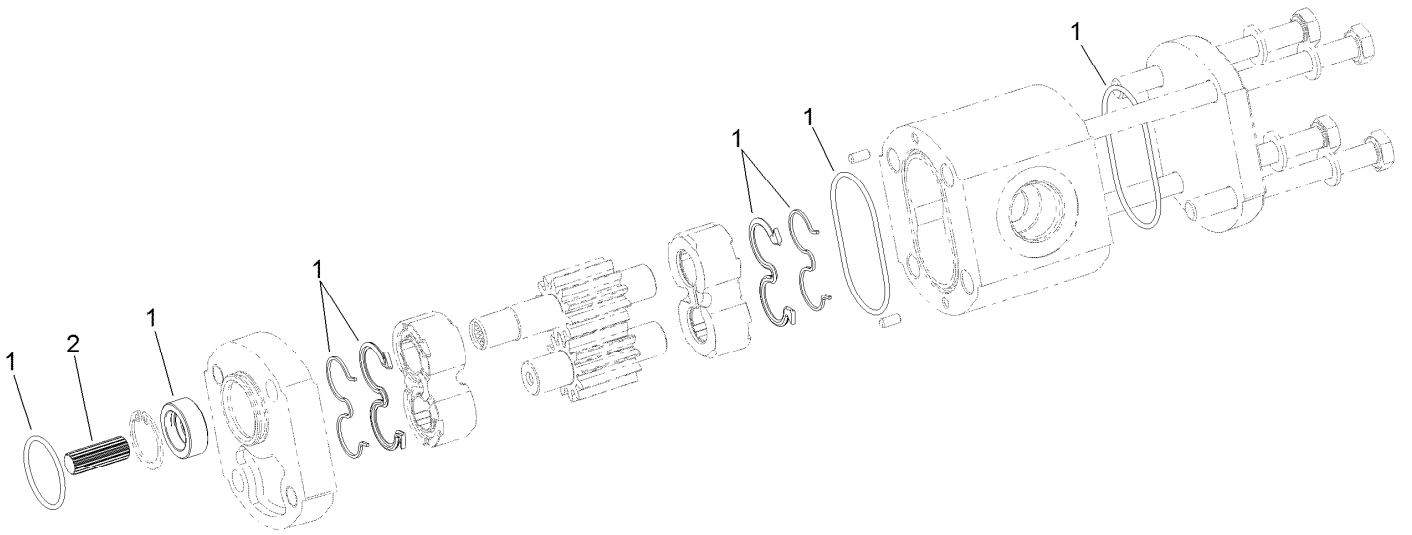
Contents

Hydraulic Assembly	4
Auxiliary Pump Assembly No. 114-8303	5
Hydraulic Manifold Assembly No. 115-2252	6
Hydraulic Tank Assembly No. 147-8219	7
Coupler Assembly No. 114-8434	8
Hydraulic Hose Assembly	9



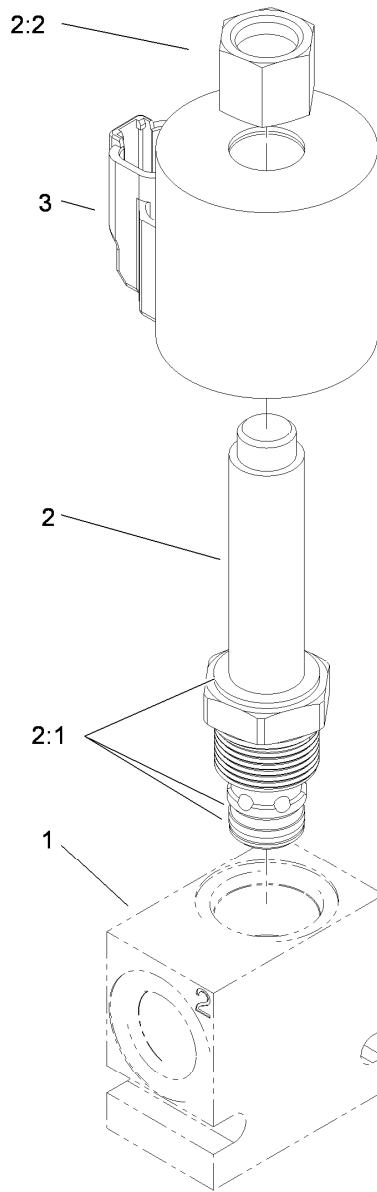
Hydraulic Assembly

Ref.	Part Number	Qty.	Description	Ref.	Part Number	Qty.	Description
1	114-8363	1	Cooler-Oil	19	105-4170	1	Coupler-Male
2	114-8303	1	HYD Auxiliary Pump ASM	20	105-7963	1	Cap-Dust
3	115-2252	1	HYD Manifold ASM	21	104-7201	4	Nut-HF, NI
4	145-2087	1	Switch-Rocker, On-None-On	22	354-120	1	Fitting-Elbow, 90
5	122-2587	1	Harness-Wire	22:1	237-79	1	O-Ring
6	147-8219	1	Tank ASM	24	354-121	1	Fitting-STR
7	87-8780	1	Head-Filter	24:1	237-79	1	O-Ring
8	54-0110	1	Filter-Oil, Transmission	25	340-109	2	Fitting-Tee
9	114-8434	1	Coupler ASM	25:1	237-79	1	O-Ring
10	3234-4	4	Screw-HHF	25:2	237-30	2	O-Ring
12	322-10	2	Screw-HH	26	340-105	1	Fitting-Elbow, 90 DEG
13	104-8300	4	Nut-HF, NI	26:1	237-80	1	O-Ring
14	107-4543	2	Clamp	26:2	237-30	1	O-Ring
15	3256-23	2	Washer-Plain	27	354-136	1	Fitting-STR
16	115-2166	1	Support-Tank	27:1	237-80	1	O-Ring
17	321-44	2	Screw-HHF	28	115-7756	1	Decal-HYD, High Flow
18	3234-29	2	Screw-HHF	29	2412-74	1	R-Clamp



Auxiliary Pump Assembly No. 114-8303

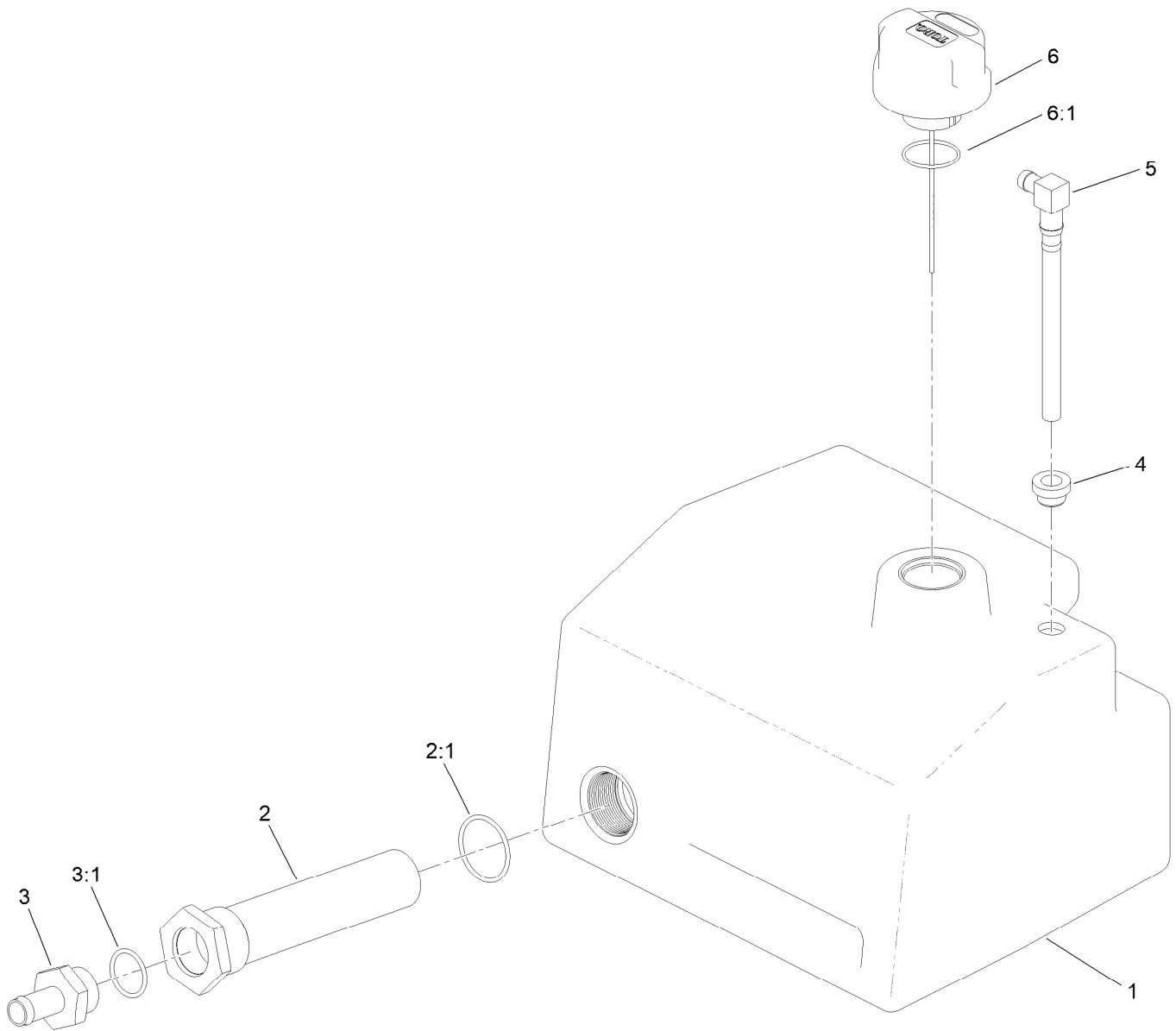
<i>Ref.</i>	<i>Part Number</i>	<i>Qty.</i>	<i>Description</i>
1	115-8697	1	Seal Kit
2	119-0653	1	Coupling-Splined



Hydraulic Manifold Assembly No. 115-2252

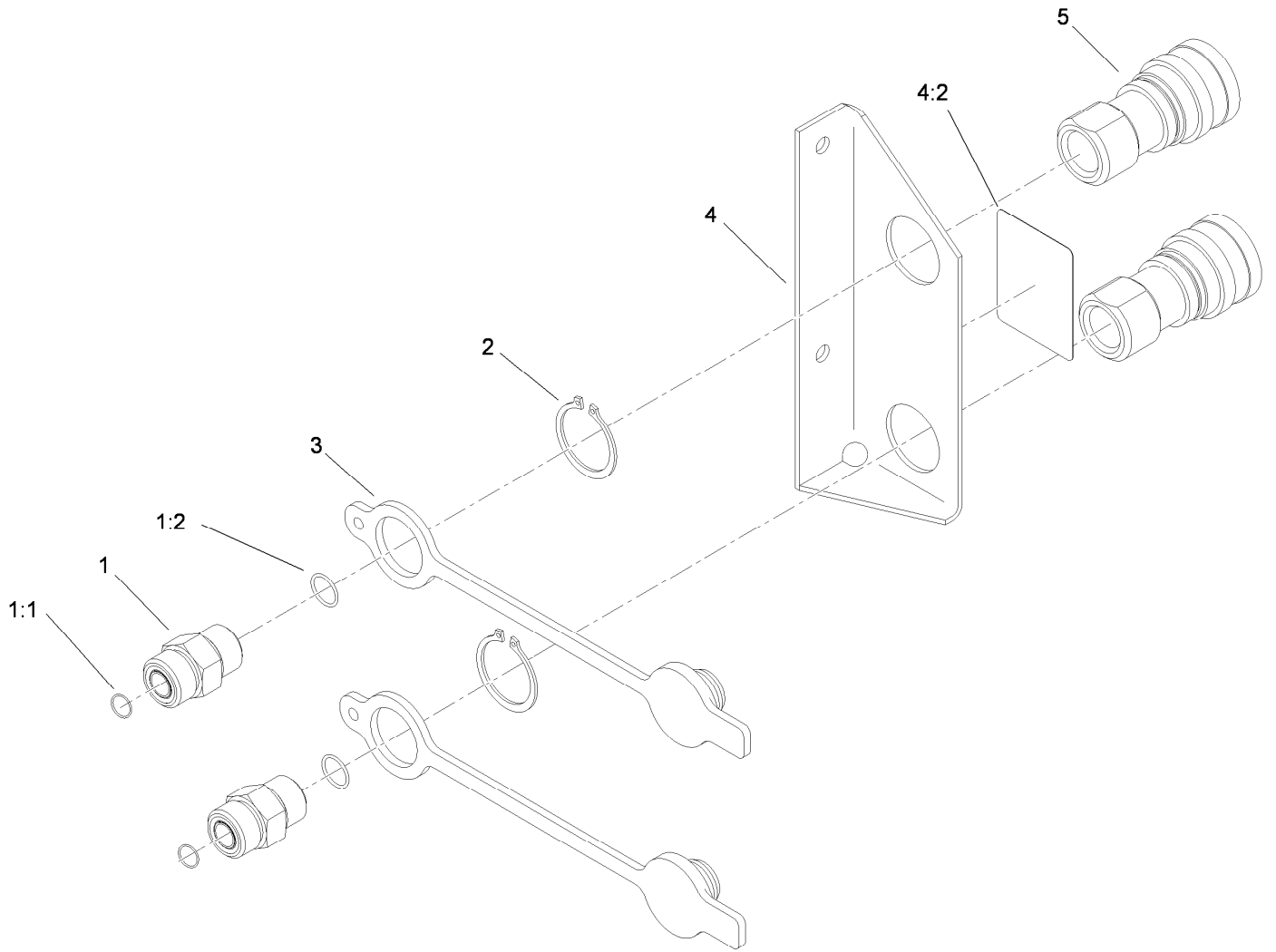
<i>Ref.</i>	<i>Part Number</i>	<i>Qty.</i>	<i>Description</i>
1		1	Housing ●
2	110-8905	1	Valve-Relief, Solenoid
2:1	110-6316	1	Seal Kit
2:2	130-8180	1	Nut-Coil (9/16-24 Unef-2B)
3	115-3021	1	Coil-12V

● Not serviced separately



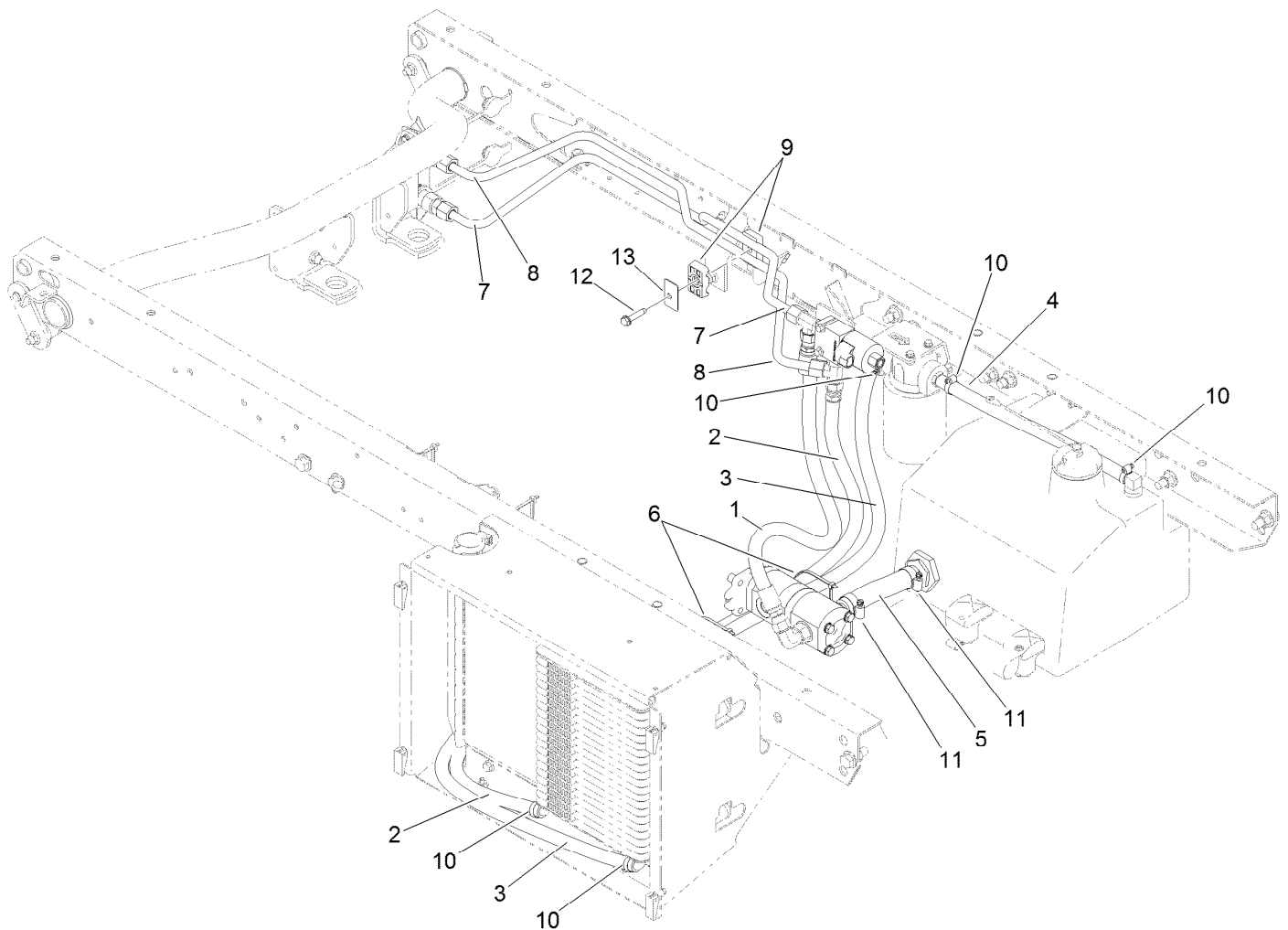
Hydraulic Tank Assembly No. 147-8219

<i>Ref.</i>	<i>Part Number</i>	<i>Qty.</i>	<i>Description</i>
1	147-8218	1	Tank-Hydraulic
2	115-2230	1	Strainer-In Tank
2:1	340-136	1	O-Ring
3	99-6932	1	Fitting-STR
3:1	237-117	1	O-Ring
4	104-0790	1	Bushing
5	104-0791	1	Pipe-Stand
6	147-5070	1	Cap-Filler, Breather
6:1	237-101	1	O-Ring



Coupler Assembly No. 114-8434

<i>Ref.</i>	<i>Part Number</i>	<i>Qty.</i>	<i>Description</i>
1	340-4	2	Fitting-Straight
1:1	237-30	1	O-Ring
1:2	237-79	1	O-Ring
2	32120-2	2	Ring-Retaining
3	105-7962	2	Plug-Dust
4	105-7978	1	Coupler Bracket ASM
4:2	105-7977	1	Decal
5	105-4169	2	Coupler-Female



Hydraulic Hose Assembly

<i>Ref.</i>	<i>Part Number</i>	<i>Qty.</i>	<i>Description</i>
1	114-8439	1	HYD Hose ASM
2	93-5356	1	Hose-HYD
3	114-8437	1	Hose-HYD
4	114-8438	1	Hose-HYD
5	147-7999	1	Hose-HYD LP
6	3290-379	2	Tie-Cable
7	115-2248	1	Tube-HYD
8	115-2249	1	Tube-HYD
9	56-7976	2	Clamp-Tube
10	2412-36	5	Clamp-Hose
11	2412-129	2	Clamp-Hose
12	32144-57	1	Screw
13	69-9760	1	Plate-Cover

Notes:

Notes:



Count on it.