



Track Tensioner Kit for Dingo® TX 425 Compact Utility Loaders

Part No. 106-7610, 106-7611, and 106-7612

Form No. 3329-765

Installation Instructions

Kit number 106-7610 contains the track tensioner for either track on a TX 425 traction unit with a serial number of 220000401 or higher. Kit number 106-7611 contains the right-hand track tensioner and kit 106-7612 contains the left-hand track tensioner for a TX 425 traction unit with a serial number of 220000400 or lower.

Determine the left and right sides of the traction unit from the operator's position.

Loose Parts

Description	Qty.	Use
Track tensioner	1	Install the track tensioner.
Tension wheel	2	
Large washer	2	
Nut	2	

Installing a Track Tensioner

1. Lower the loader arms, stop the engine, and remove the key.
2. Lift/support the side of the unit to be worked on so that the track is three to four inches (7.6 to 10 cm.) off of the ground.
3. Remove the locking bolt and nut (Fig. 1).

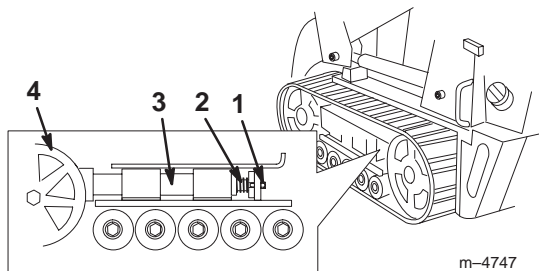


Figure 1

- | | |
|---------------------|-------------------|
| 1. Locking bolt | 3. Tensioner tube |
| 2. Tensioning screw | 4. Tension wheel |

4. Using a 1/2 in. drive ratchet, release the drive tension by turning the tensioning screw clockwise (Fig. 1 and 2).

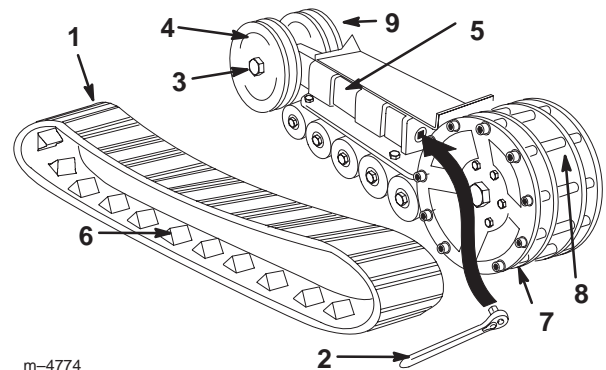


Figure 2

- | | |
|------------------------|------------------------|
| 1. Track | 6. Track lug |
| 2. 1/2 in. ratchet | 7. Drive sprocket |
| 3. Tension wheel nut | 8. Sprocket spacer |
| 4. Outer tension wheel | 9. Inner tension wheel |
| 5. Tensioner | |
5. Push the tension wheel toward the rear of the unit to move the tensioner tube against the frame (Fig. 2). (If it does not touch the frame, continue turning the tensioning screw until it does.)
 6. Remove the nut securing the outer tension wheel and remove and discard the wheel (Fig. 2).
 7. Remove the track (Fig. 2).
 8. Pull the track tensioner out of its housing and discard it.
 9. Slide the new track tensioner into the tensioner housing with the fork angle pointing downward.

10. On the inside of the new tension wheels, fill the area of the bearings with grease.
11. Install the large washers on the wheels over the bearings and grease.
12. Install the inner tension wheel and secure it with a new nut (Fig. 2).
13. Torque the nut to 300 ft.-lb. (407 N·m).
14. Install the track, ensuring that the lugs in the track fit between the spacers in the middle of the drive sprocket (Fig. 2).
15. Install the outer tension wheel and secure it with a new nut (Fig. 2).
16. Torque the nut to 300 ft.-lb. (407 N·m).
17. Turn the tensioning screw counter-clockwise until the distance between the tension nut and the back of the tension tube (Fig. 3) is 2-3/4 in. (7 cm.).

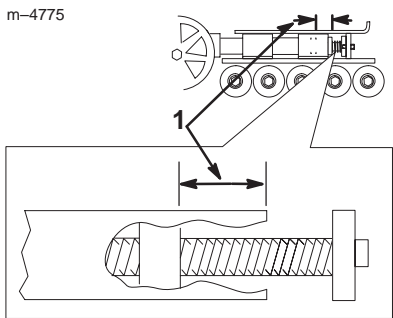


Figure 3

1. 2-3/4 in. (7 cm)
-

18. Align the closest notch in the tension screw to the locking bolt hole and secure the screw with the locking bolt and nut.
19. Lower the traction unit to the ground.