



## 826LE Power Max Snowthrower

Model No. 38620 - 240000001 and up.

### Parts Catalog

---

#### Ordering Replacement Parts

To order replacement parts, please supply: the part number, the quantity, and the description of each part desired.

#### Understanding Reference Numbers

Each identified part in an illustration has a reference number. The reference number for a part also appears in the parts list, along with other information about the part.

This catalog uses two special reference number formats, one to indicate parts in a service assembly and another to indicate the quantity of a given part in an illustration.

#### Service Assembly Reference Numbers

Parts in service assemblies have reference numbers in the form **a:b**. The **a** represents the reference number of the entire service assembly and the **b** represents a sequential number unique to each part within the service assembly.

For example, a wheel assembly might be identified by reference number 6, the tire by **6:1**, the valve by **6:2**, and the wheel by **6:3**. When you order the assembly identified by reference number 6, you receive all parts identified by reference numbers 6:1, 6:2, and 6:3. However, you may also order any part individually. Reference numbers of this type appear in illustrations and in part lists.

#### Reference Numbers Indicating Quantity

In an illustration, if a reference number indicates more than one part, the reference number has the form **nX y**. The **n** represents the quantity of the part, the **X** is the multiplication symbol, and the **y** represents the reference number.

For example, in an illustration, the reference number **2X 37** means that two of the parts identified by reference number 37 are indicated.

# Part Description Abbreviations

Part descriptions in this catalog may include the following abbreviations.

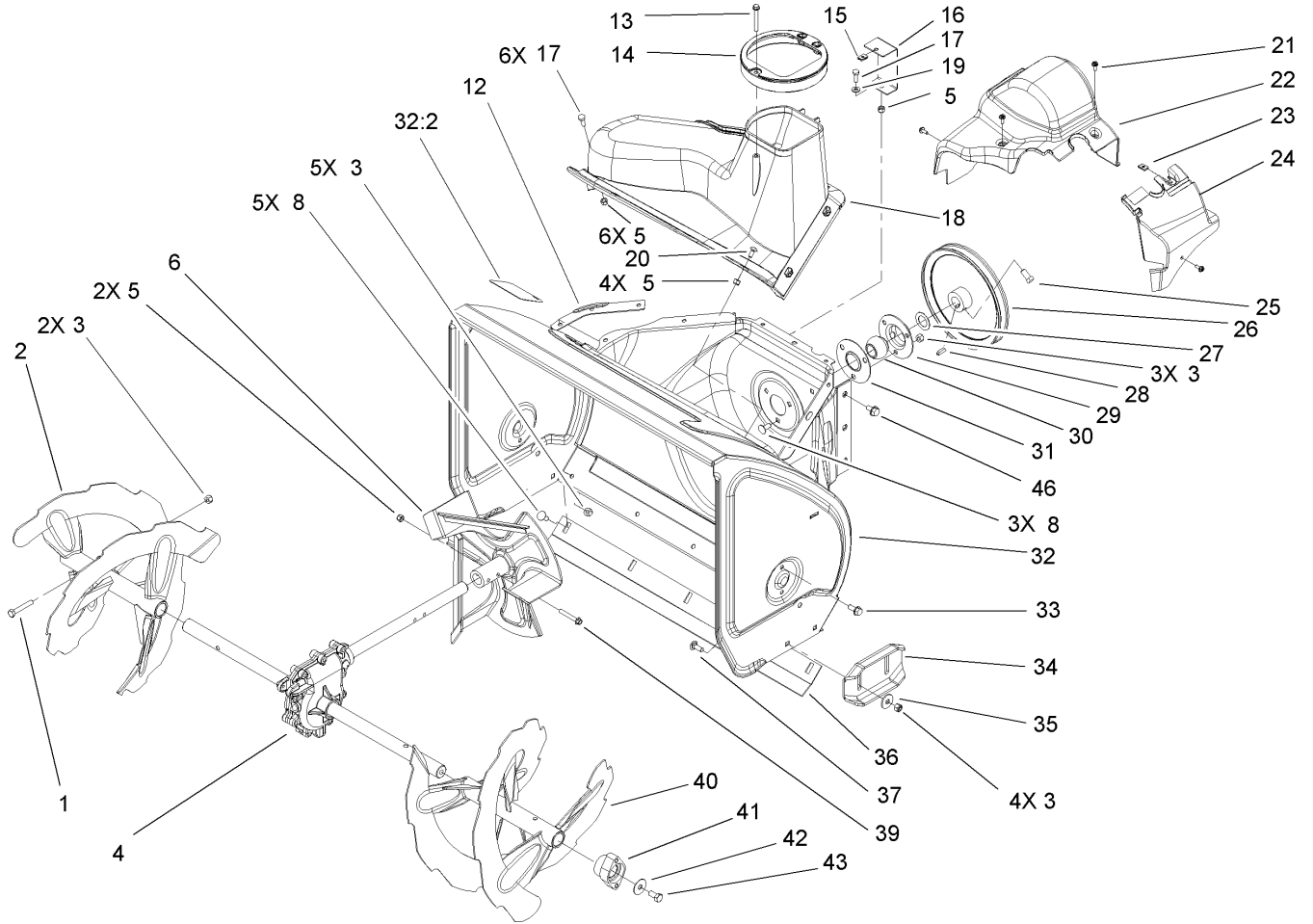
AR. ....	as required	HYD. ....	hydraulic
ASM. ....	assembly	INC. ....	incorporated
CARR. ....	carriage	LH. ....	left hand
DEG. ....	degrees	NI. ....	nylon insert
FH. ....	flat head	PPH. ....	phillips pan head
GA. ....	gauge	PTH. ....	phillips truss head
HF. ....	hex flange	PTO. ....	power take off
HH. ....	hex head	RH. ....	right hand
HHF. ....	hex head flange	SFH. ....	slotted fillister head
HHFTF. ....	hex head flange thread forming	SHH. ....	slotted hex head
HJ. ....	hex jam	SHWH. ....	slotted hex washer head
HLH. ....	hex lag head	SPH. ....	slotted pan head
HOC. ....	height-of-cut	SQH. ....	square head
HS. ....	hex	SRH. ....	slotted round head
HSBH. ....	hex socket button head	STD. ....	standard
HSFH. ....	hex socket flat head	TAP. ....	self tapping
HSH. ....	hex socket head	TTH. ....	torx truss head
HWH. ....	hex washer head	WH. ....	wing head
HWHTF. ....	hex washer head thread forming		

## Footnotes

- ❶ Not illustrated
- ❷ Obtain parts from your local Tecumseh dealer
- ❸ Not serviced separately

## Contents

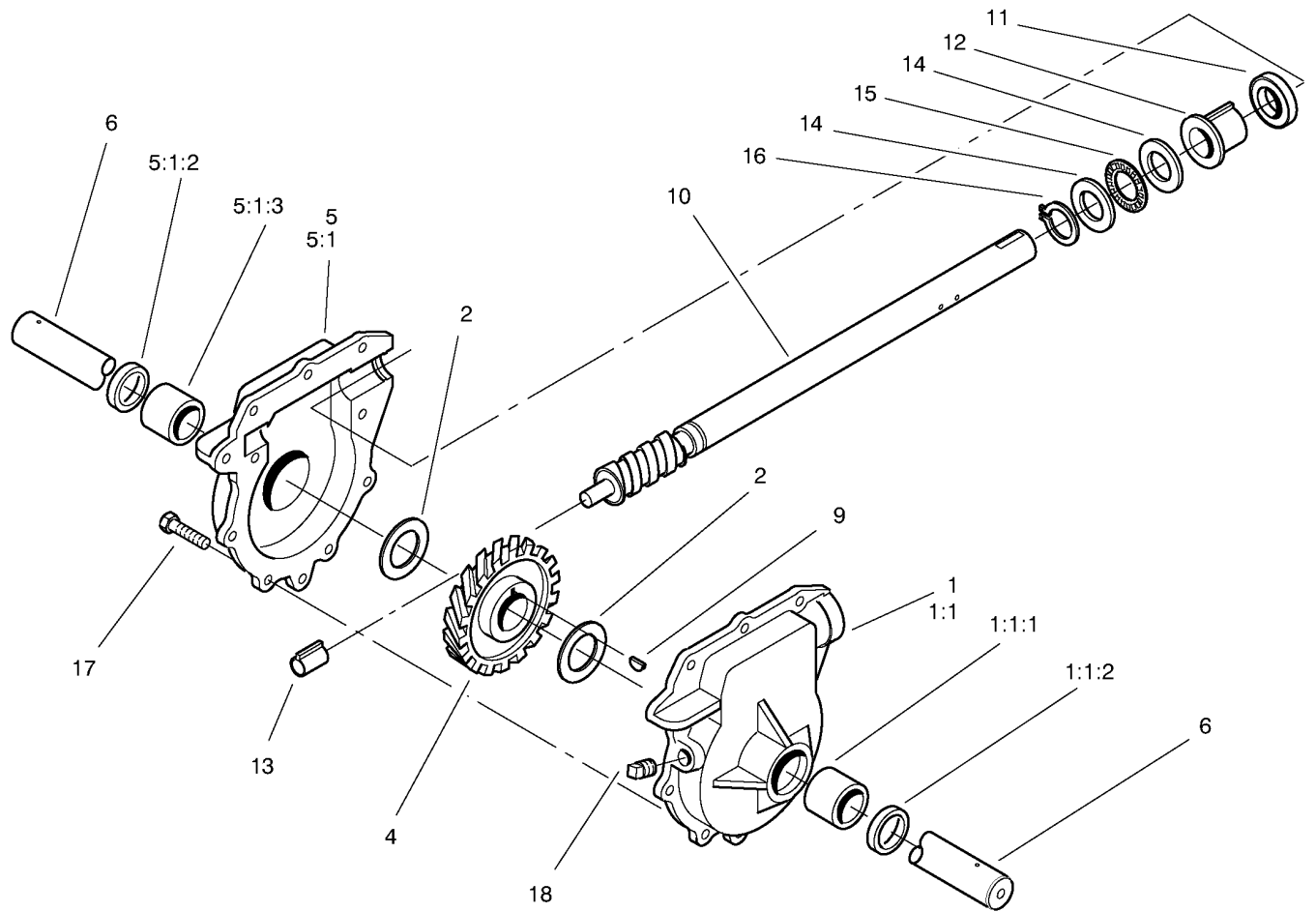
Description	Page	Description	Page
Auger and Housing Assembly	..... 3	Engine Assembly No. 2 Tecumseh HMSK-80 155723	..... 16
Auger Gearcase Assembly No. 106-4580	..... 4	Rewind Starter Assembly No. 590749 Tecumseh HMSK-80 155723	..... 18
Chute Assembly	..... 5	Rewind Starter Assembly No. 590733 (Optional) Tecumseh HMSK-80 155723	..... 19
Chain Drive Assembly	..... 6	110 Volt Electric Starter Assembly No. 33329E Tecumseh HMSK-80 155723	..... 20
Frame Assembly	..... 7		
Handle and Control Assembly	..... 9		
Handle and Control Assembly No. 2	..... 10		
Chute Control Assembly	..... 11		
Engine Assembly	..... 12		
Carburetor Assembly No. 640052 Tecumseh HMSK-80 155723	..... 13		
Engine Assembly No. 1 Tecumseh HMSK-80 155723	..... 14		



## Auger and Housing Assembly

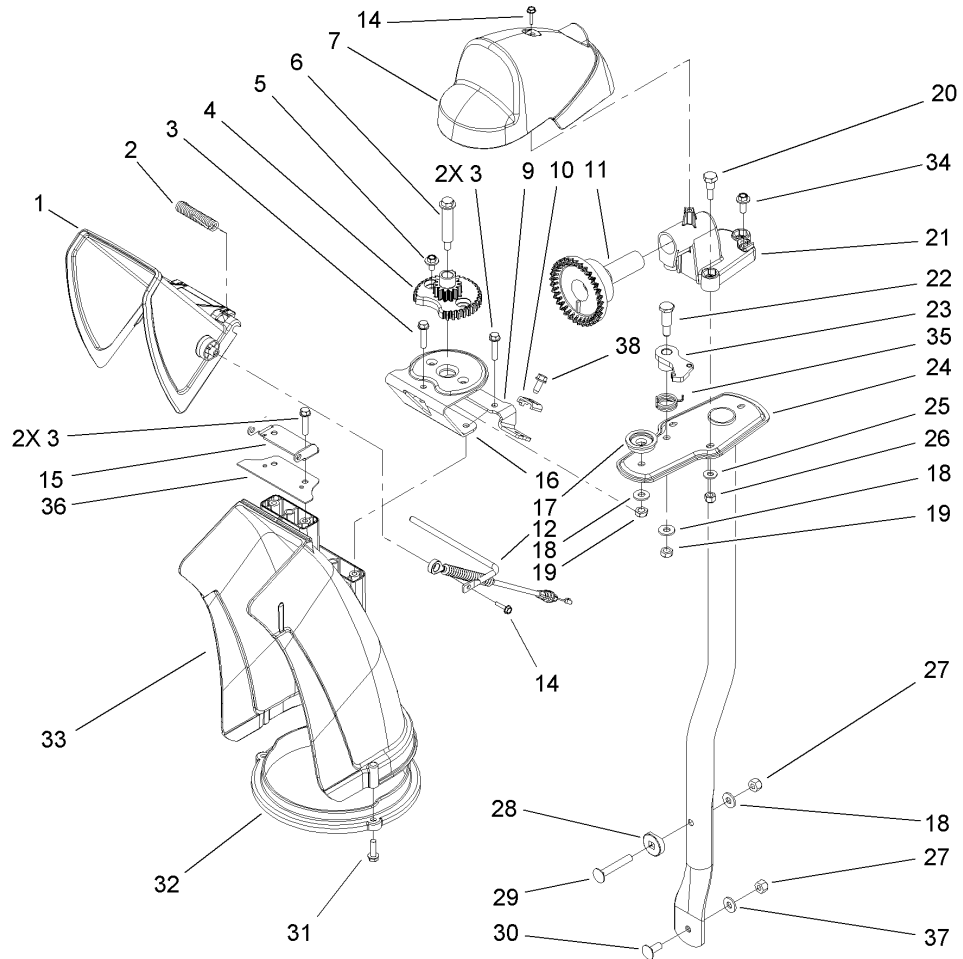
Ref	Part No.	Qty.	Description
1	322-10	2	Screw-HH
2	106-7289-03	1	Auger-Rh, 26in
3	3296-29	14	Nut-Lock, NI
4	106-4580	1	26in Auger Gearcase ASM
5	3296-42	13	Nut-Lock, NI
6	106-4576-03	1	Impeller ASM
8	3230-23	8	Screw-CARR
12	107-1017-03	1	Seal-Cover Flange
13	107-3003	1	Screw-Plastite
14	107-3006	1	Guide-Chute
15	107-1013	1	Nut-Speed, U-Type
16	107-1014-03	1	Bracket-Cover, Clip Nut
17	321-4	7	Screw-HH
18	105-9979	1	Cover
19	3256-22	1	Washer-Flat
20	3229-1	4	Screw-CARR
21	32144-112	4	Screw-HWHTF
22	107-1001	1	Cover-Belt
23	701493	1	Nut-Speed
24	107-1016	1	Cover-Belt Extension
25	3242-4	2	Screw-Set, SQH
26	62-1300	1	Pulley-Impeller
27	252-80	1	Washer-Thrust
28	3257-23	1	Key-Woodruff

Ref	Part No.	Qty.	Description
29	26-6110	1	Flange-Cup, Bearing
30	63-3450	1	Bearing-Ball
31	26-6120	1	Flange-Cup, Bearing
32	107-3821	1	26in Auger Housing ASM
32:2	53-7670	1	Decal-Warning, Auger
33	32144-70	4	Screw-HH
34	106-4588-01	2	Skid
35	52-2861	4	Washer
36	105-9976-01	1	Scraper-Fixed
37	3230-16	4	Screw-CARR
39	321-44	2	Screw-HHF
40	106-7299-03	1	26in LH Auger ASM
41	106-4570	2	Auger-Bearing
42	3-0750	2	Washer
43	323-4	2	Screw-HH
46	32144-14	6	Screw-HWH



## Auger Gearcase Assembly No. 106-4580

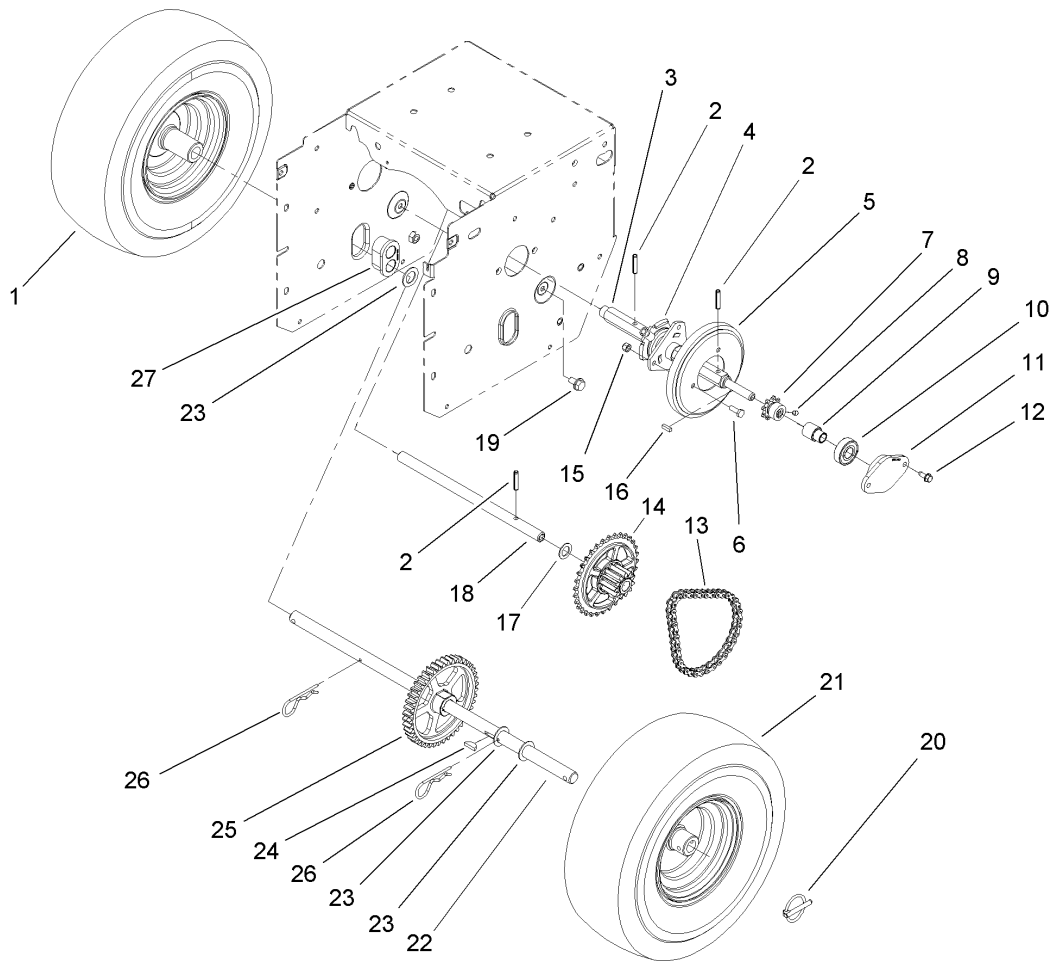
Ref	Part No.	Qty.	Description				
1	74-1570	1	LH Auger Gearcase ASM				
② 1:1		1	LH Auger Gearcase ASM				
1:1:1	256-237	1	Bushing				
1:1:2	7-0045	1	Seal-Oil				
2	252-71	2	Washer-Thrust				
4	62-0120	1	Gear-Helical				
5	74-1580	1	RH Auger Gearcase ASM				
② 5:1		1	RH Auger Gearcase ASM				
5:1:2	7-0045	1	Seal-Oil				
5:1:3	256-237	1	Bushing				
6	106-4579	1	Shaft-Auger				
9	3257-10	1	Key-Woodruff				
10	66-7811	1	Shaft-Impeller				
11	253-149	1	Seal-Oil				
12	37-6560	1	Bushing-Input				
13	62-1150	1	Bushing-Worm				
14	252-78	2	Bearing-Thrust				
15	252-76	1	Bearing-Thrust				
16	32151-33	1	Ring-Retaining, Ext				
17	32144-110	9	Screw-HWH				
18	281-1	1	Plug-Pipe, SQH				



## Chute Assembly

Ref	Part No.	Qty.	Description
1	106-4587	1	Deflector-Chute
2	106-4594	1	Spring-Torsion
3	46-8092	5	Screw-Plastite
4	106-4472	1	Gear-Chute
5	46-6810	2	Screw And Washer ASM
6	100-9880	1	Bolt-Shoulder
7	106-4585	1	Cover-Gear, Chute
9	106-7296	1	Bracket-Cable, Clamp
10	106-7297	1	Clamp-Cable
11	106-4471	1	Gear-Face
12	107-1021	1	Rod-Deflector
14	98-1375	2	Screw-HWH
15	106-7266	1	Bracket-Deflector
16	106-4582-03	1	Bracket-Support, Chute
17	106-4422	1	Spacer-Chute
18	3256-2	3	Washer-Flat
19	3296-47	2	Nut-Lock, NI
20	106-7276	3	Screw-Shoulder
21	106-7257	1	Mount-Gear, Face
22	63-2650	1	Screw-Shoulder
23	106-4476	1	Latch-Chute
24	106-7253-03	1	Tube-Support
25	3256-22	3	Washer-Flat
26	3296-42	3	Nut-Lock, NI

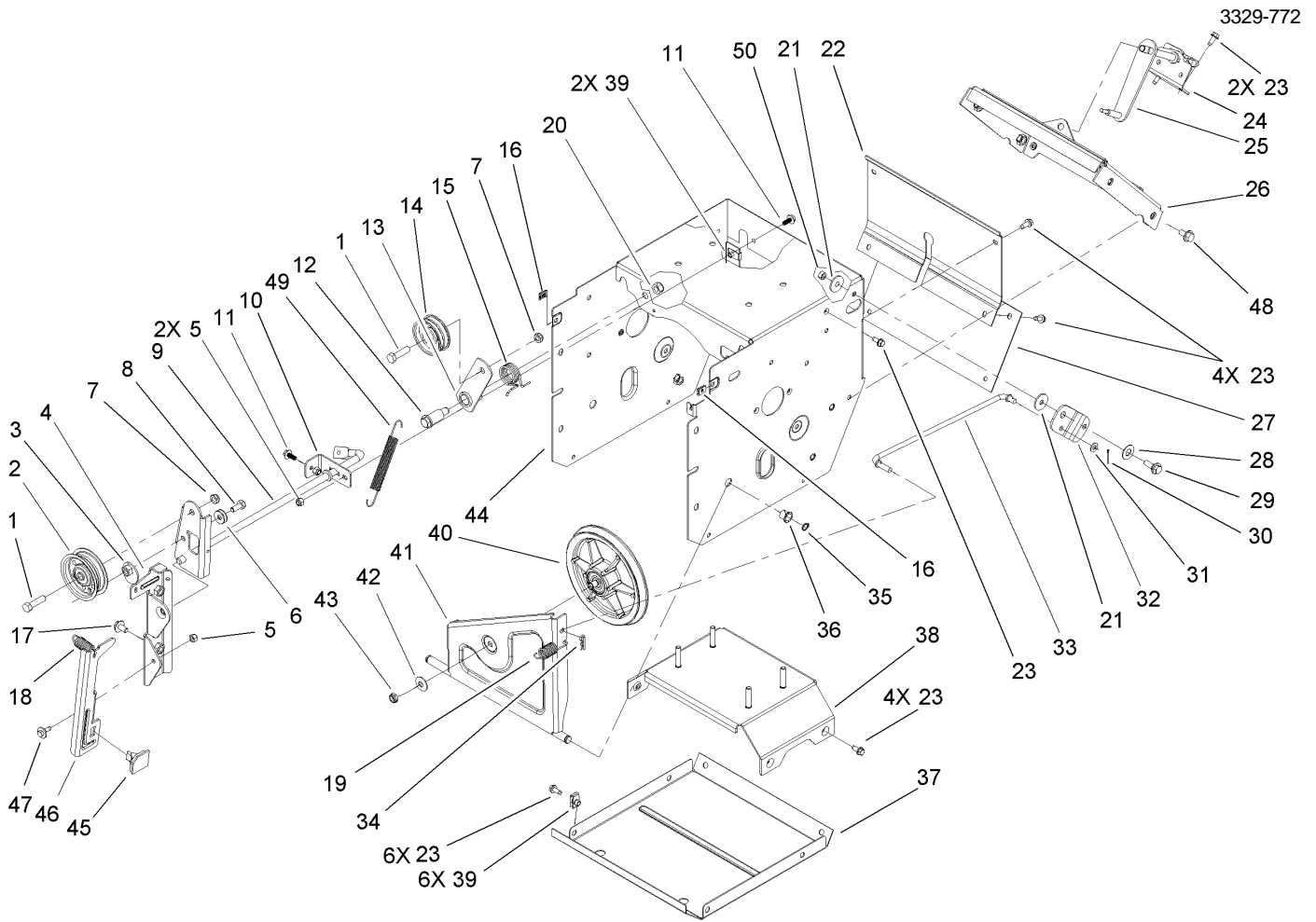
Ref	Part No.	Qty.	Description
27	3296-29	2	Nut-Lock, NI
28	106-7260	1	Washer-Curved
29	3230-5	1	Screw-CARR
30	3230-23	1	Screw-CARR
31	46-8091	3	Screw-HWH
32	105-9991	1	Ring-Chute
33	106-4440	1	Chute-Discharge
34	46-6811	1	Screw-HWH
35	106-4475	1	Spring-Torsion
36	107-1019	1	Seal-Chute
37	3290-456	1	Washer-Belleville
38	32144-10	1	Screw-HWH



### Chain Drive Assembly

Ref	Part No.	Qty.	Description
1	107-3043	1	Rim-Tire
1	107-3042	1	Tire
2	32121-9	3	Pin-Spring
3	106-4593	1	Shaft-Hex, Chain
4	106-4434	1	Trunion-Hex
5	106-4480	1	Wheel-Friction
6	321-4	3	Screw-HH
7	106-7317	1	Sprocket-8 Tooth
8	3245-32	2	Screw-HS
9	106-7250	1	Spacer-Bearing, Sleeve
10	100-1048	2	Bearing-Ball
11	106-7308	2	Retainer-Bearing
12	32144-10	4	Screw-HWH
13	106-7293	1	Chain-Roller
13	2710-6	1	Link-Connecting
14	106-7261	1	Sprocket ASM
15	3296-42	3	Nut-Lock, NI
16	94-8850	1	Key-Square
17	107-3041	1	Washer-Flat
18	106-4592	1	Shaft-Intermediate
19	32144-14	2	Screw-HWH
20	107-3039	2	Klik Pin ASM
21	107-3042	1	Tire
21	107-3043	1	Rim-Tire

Ref	Part No.	Qty.	Description
22	106-4449	1	Shaft-Axle
23	3-8664	3	Washer-Thrust
24	3257-7	1	Key-Woodruff
25	106-4572	1	Gear-Axle, 44 Tooth
26	3290-343	2	Pin-Hair
27	106-4558	2	Bearing-Axle

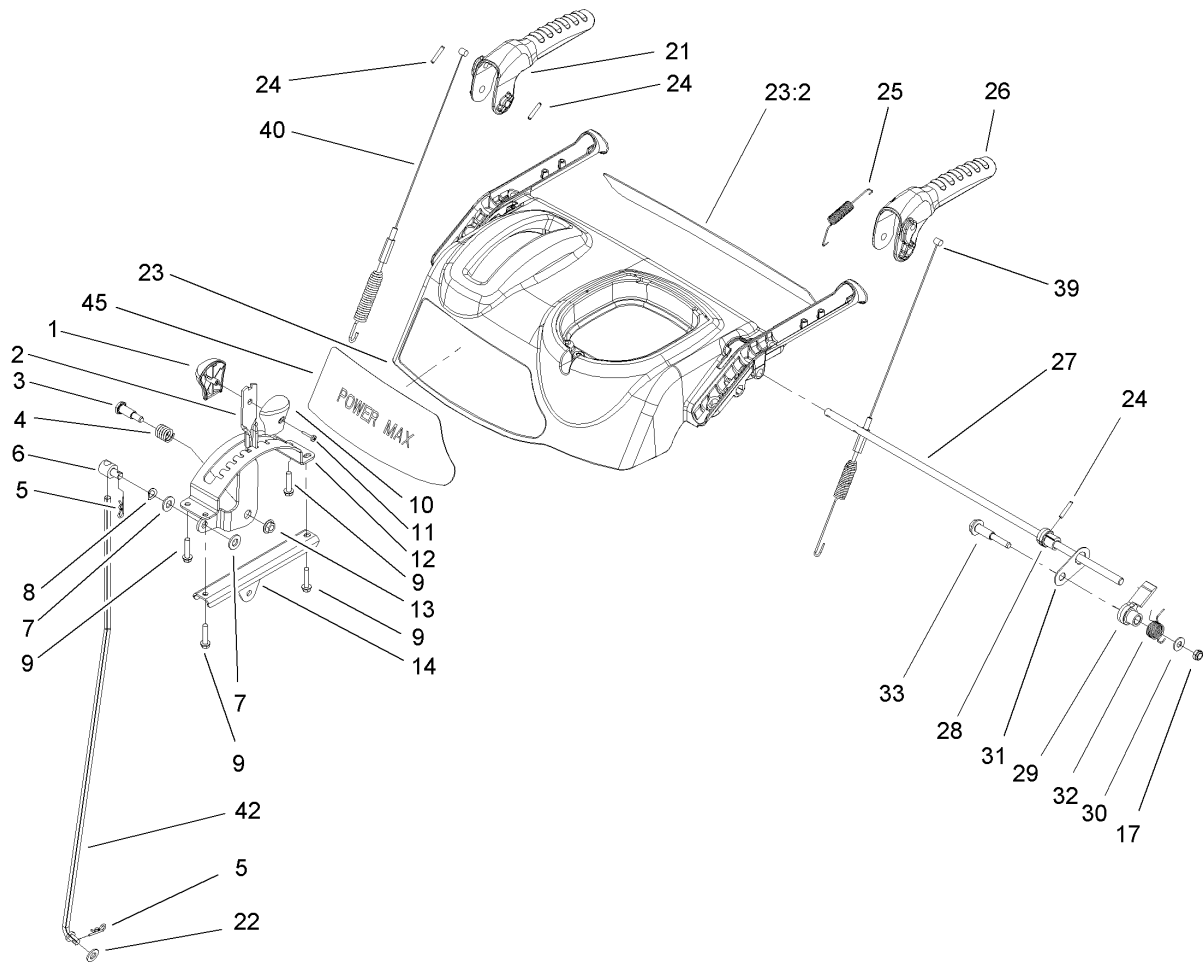


## Frame Assembly

Ref	Part No.	Qty.	Description
1	323-8	2	Screw-HH
2	92-7104	1	Pulley-Idler
3	107-1047	1	Nut ASM
4	107-1039	1	Bracket-Idler, Impeller
5	3296-42	3	Nut-Lock, NI
6	3290-456	1	Washer-Belleville
7	3296-59	2	Nut-Lock, NI
8	322-3	1	Screw-HH
9	106-7339-03	1	Auger Clutch ASM
10	106-7341	1	Bracket-Clutch Rear
11	99-6810	2	Screw-HH
12	107-1022	1	Bolt-Shoulder
13	106-7312	1	Arm-Idler, Traction
14	3-4244	1	Pulley-Idler
15	93-4816	1	Spring-Torsion, RH
16	107-1013	2	Nut-Speed, U-Type
17	3234-7	2	Screw-HHF
18	107-1045	1	Spring-Extension
19	107-1003	1	Spring-Extension
20	3296-76	1	Nut-Lock, NI
21	5-4460	2	Washer-Pivot
22	106-4556-01	1	Cover-Upper
23	32144-10	17	Screw-HWH
24	106-7325	1	Bracket-Shift Rod

Ref	Part No.	Qty.	Description
25	106-7268	1	Lever-Control, Traction
26	106-7342-01	1	Shift Plate ASM
27	106-7345-01	1	Cover-Lower
28	25-5640	1	Washer
29	27-0410	1	Screw-Shoulder
30	3272-4	1	Pin-Cotter
31	3256-23	1	Washer-Flat
32	107-1011	1	Bellcrank-Drive
33	106-4467	1	Link-Control, Speed
34	3290-307	1	Pin-Hair
35	32151-61	2	Ring-Retaining
36	256-257	2	Bushing-Nyliner
37	106-7330-01	1	Pan-Bottom
38	106-7315	1	Brace Frame ASM
39	107069	8	Clip
40	106-4500	1	Pulley-Traction
41	106-7274	1	Pulley Pivot ASM
42	3290-340	1	Washer-Belleville
43	3296-5	1	Nut-Lock, NI
44	106-4495-01	1	Frame-Traction
45	66-8060	1	Pad-Brake
46	107-1000	1	Arm-Brake
47	92-9698	1	Screw-Shoulder
48	32144-14	4	Screw-HWH



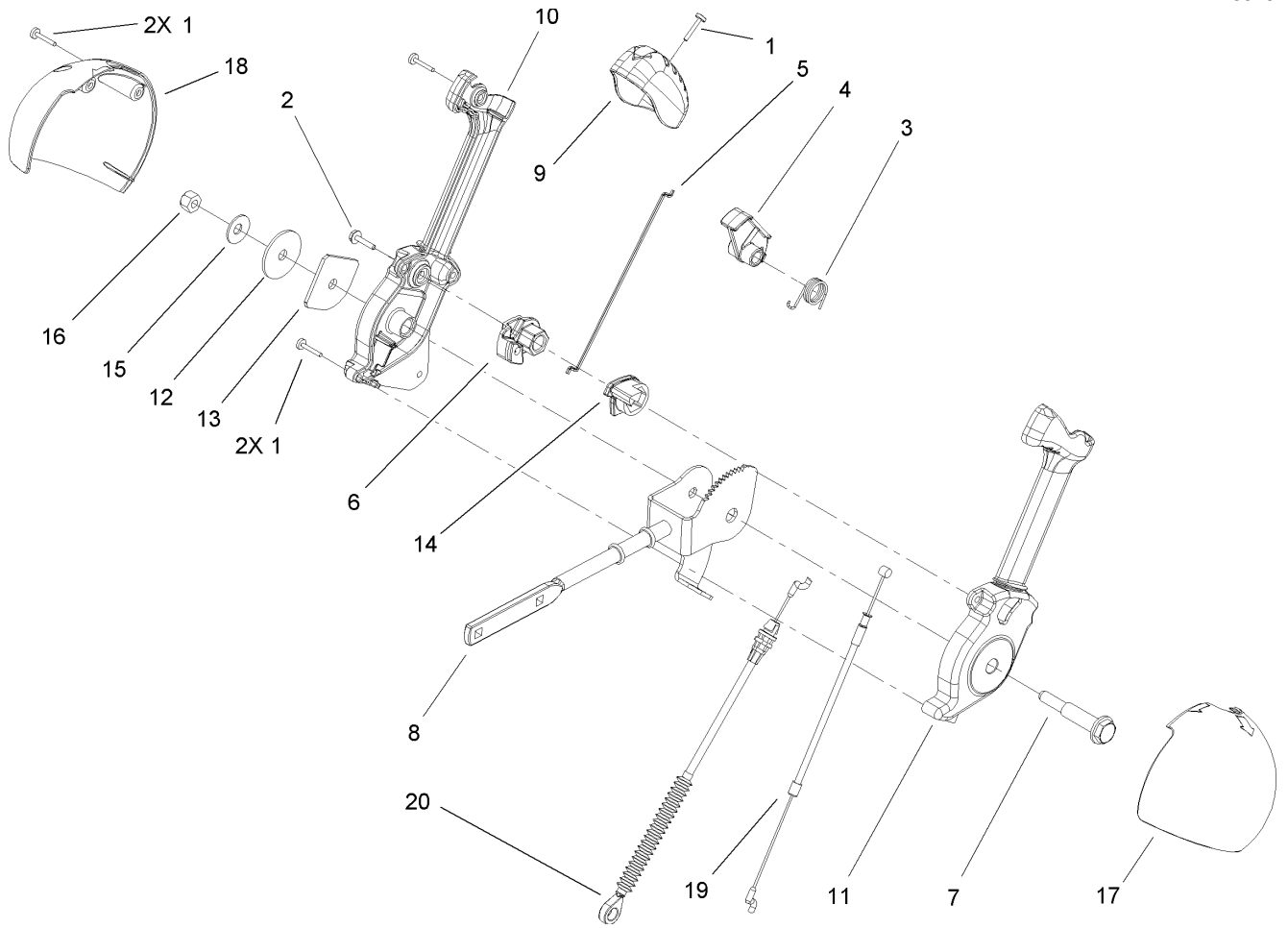


## Handle and Control Assembly

Ref	Part No.	Qty.	Description
1	106-4423	1	Knob-Shift, RH
2	106-7278-03	1	Selector-Speed
3	63-2650	1	Screw-Shoulder
4	107-3017	1	Spring-Compression
5	3290-307	2	Pin-Hair
6	101161	1	Trunnion
7	3256-24	2	Washer-Flat
8	612586	1	Washer-Spring
9	46-8092	4	Screw-Plastite
10	105-9999	1	Knob-Shift, LH
11	94-4496	1	Screw-PPH
12	106-7277-03	1	Guide-Selector, Speed
13	32128-13	1	Nut-HF
14	106-7279-03	1	Mount-Selector, Speed
17	3296-72	1	Nut-Lock, NI
21	106-4413	1	Lever-Auger
22	3256-38	1	Washer-Flat
23	107-3825	1	Control Panel ASM
23:2	106-4521	1	Decal-Control Panel
24	32121-125	3	Pin-Spring
25	107-3001	1	Spring-Tension
26	106-4410	1	Lever-Traction
27	105-9996	1	Rod-Lockout
28	107-1043	1	Cam-Lockout

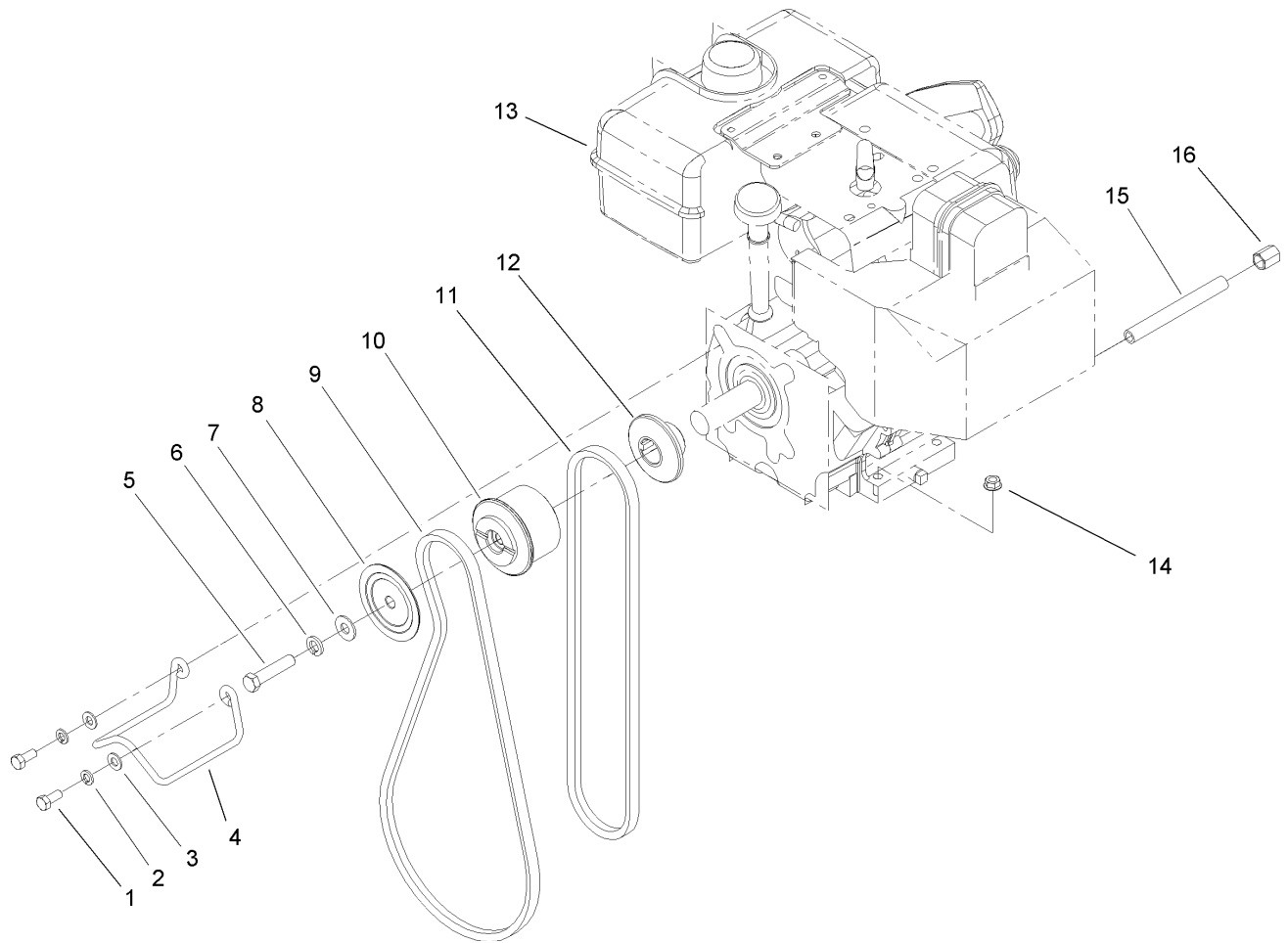
Ref	Part No.	Qty.	Description
29	107-1044	1	Latch-Lockout
30	98-3499	1	Washer-Flat
31	107-3000	1	Link-Lockout
32	105-9998	1	Spring-Torsion
33	106-4412	1	Screw-Shoulder
39	106-4563	1	Cable-Traction
40	106-4599	1	Cable-Auger
42	107-1005	1	Rod-Shift
45	106-4513	1	Decal





## Chute Control Assembly

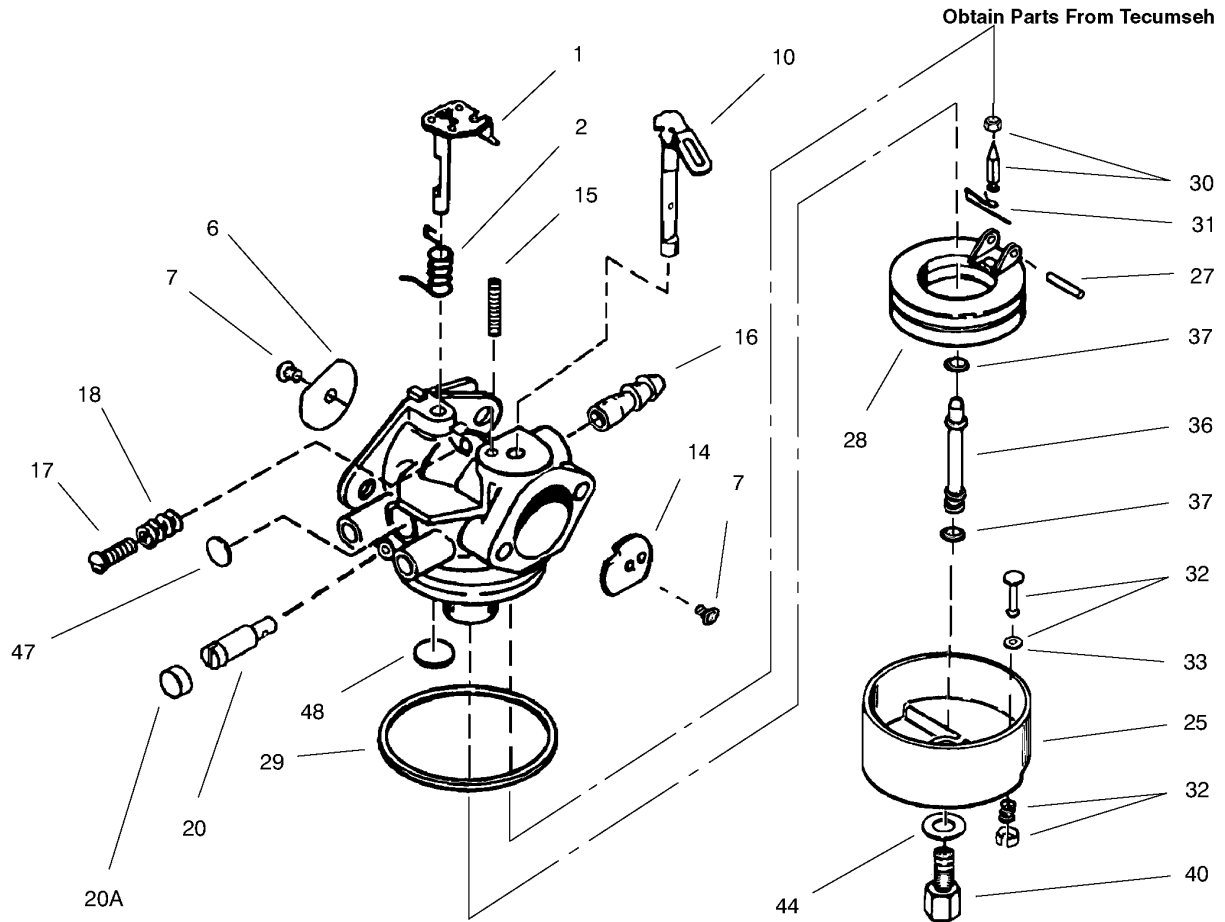
Ref	Part No.	Qty.	Description
1	94-4496	5	Screw-PPH
2	98-1375	1	Screw-HWH
3	105-9982	1	Spring-Torsion
4	105-9984	1	Trigger-Latch
5	105-9985	1	Link-Latch
6	105-9988	1	Lever-Cable, Deflector
7	105-9995	1	Screw-Shoulder
8	106-4479	1	Rod-Control, Chute
9	106-7280	1	Cap-Lever
10	106-7281	1	Lever-Chute Control, RH
11	106-7282	1	Lever-Chute Control, LH
12	107-3002	1	Washer-Nylon
13	106-7295	1	Plate-Friction
14	106-7310	1	Pawl-Latch
15	3290-456	1	Washer-Belleville
16	3296-29	1	Nut-Lock, NI
17	105-9986	1	Cover-Chute Lever, LH
18	106-7292	1	Cover-Chute Lever, RH
19	105-9989	1	Cable-Chute Release
20	105-9990	1	Cable-Control, Deflector

## Engine Assembly

Ref	Part No.	Qty.	Description
1	3210-3	2	Screw-HH
2	3253-4	2	Washer-Lock
3	3256-23	2	Washer-Flat
4	107-3835	1	Guide-Belt
5	3212-8	1	Screw-HH
6	3253-6	1	Washer-Lock
7	3256-4	1	Washer-Flat
8	62-0940	1	Sheave-Half, Impeller
9	106-4498	1	Belt-V
10	106-7333	1	Pulley-Engine, Center
11	94-8812	1	V-Belt, Traction
12	106-7334	1	Sheave-Half, Traction
13		1	Engine-Tecumseh, Hmsk-80 155723
14	32128-20	4	Nut-HF
15	289-34	1	Nipple-Pipe
16	288-2	1	Cap-Pipe
20	99-9300	1	Cord-Extension

--	--	--	--



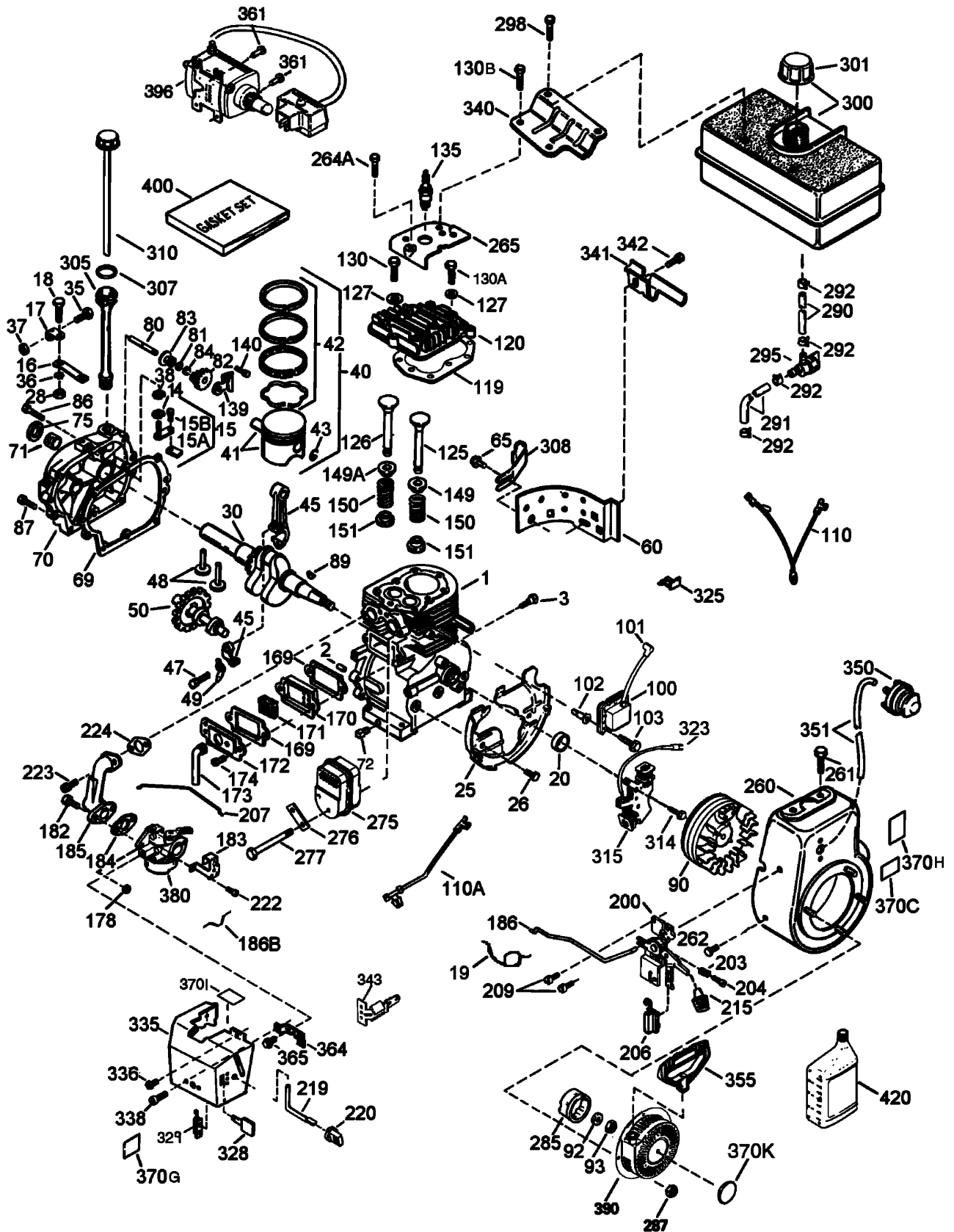
## Carburetor Assembly No. 640052 Tecumseh HMSK-80 155723

Ref	Part No.	Qty.	Description
①	631776A	1	Throttle Shaft & Lever ASM
②	631970	1	Throttle Return Spring
⑥	631778	1	Throttle Shutter
⑦	650506	2	Shutter Screw
⑩	632112	1	Choke Shaft & Lever ASM
⑭	632174	1	Choke Shutter
⑮	630735	1	Choke Positioning Spring
⑰	632164	1	Fuel Fitting
⑰	650417	1	Idle Speed Screw
⑱	630766	1	Tension Spring
⑳	640016	1	Idle Restrictor Screw
⑳A	640053	1	Idle Restrictor Screw Cap
㉕	631951	1	Float Bowl ASM (Incl. Ref. #32 And 33)
㉗	631024	1	Float Shaft
㉘	632019	1	Float
㉙	631028	1	Float Bowl O-Ring
㉚	631021	1	Inlet Needle And Seat ASM (Incl. Ref. # 31)
㉛	631022	1	Spring Clip
㉜	27136A	1	Bowl Drain ASM
㉝	27554	1	Drain Plunger Gasket
㉞	640005	1	Main Nozzle Tube
㉟	632547	2	O-Ring, Main Nozzle Tube

Ref	Part No.	Qty.	Description
㉚	640055	1	Nut-High Speed, Bowl
㉜	27110	1	Gasket
㉞	630748	1	Welch Plug, Idle Mixture Well
㉟	631027	1	Welch Plug, Vent

# Engine Assembly No. 1

## Tecumseh HMSK-80 155723



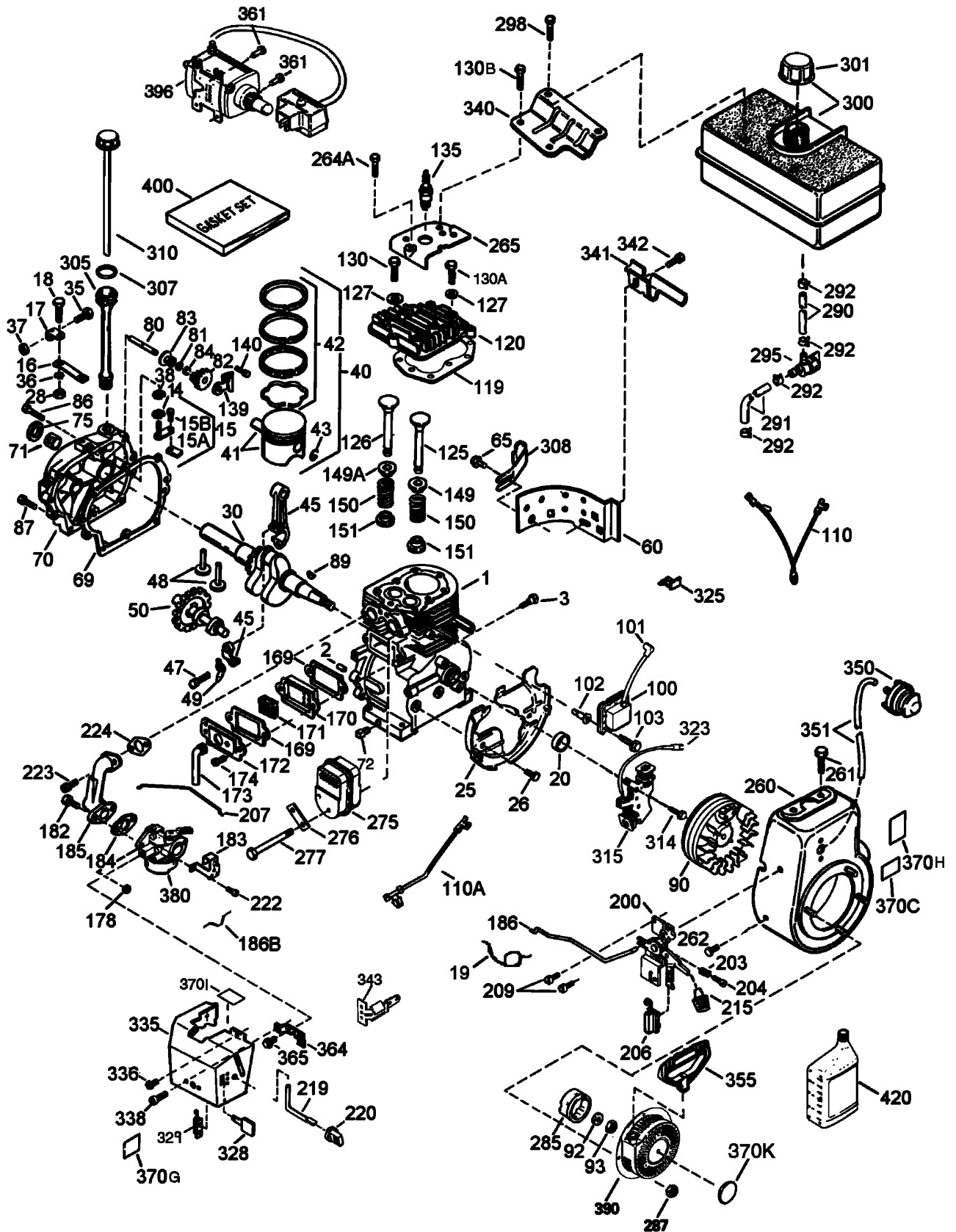
# Engine Assembly No. 1

## Tecumseh HMSK-80 155723

Ref	Part No.	Qty.	Description	Ref	Part No.	Qty.	Description
1	35385	1	Cylinder ASM (Incl. Ref. #2, 20 And 72)	84	29193	1	Ring-Retaining
2	27652	2	Pin-Dowel	86	650833	7	Screw, 1/4-20 X 1-3/16"
3	650820	2	Screw, 1/4-20 X 1/2"	87	650832	1	Screw, 1/4-20 X 1-11/16"
14	28277	1	Washer	89	32589	1	Key-Flywheel
15	30699C	1	Governor Rod ASM (Incl. Ref. #15a And 15b)	90	611091	1	Flywheel ASM (W/ring Gear)
15A	30700	1	Yoke-Governor	92	650880	1	Washer-Lock
15B	650494	1	Screw, 6-40 X 5/16"	93	650881	1	Nut-Flywheel
16	33454A	1	Lever-Governor	100	35135A	1	Solid State Ignition ASM (Incl. Ref. #101)
17	29916	1	Clamp-Lever, Governor	101	610118	1	Cover-Spark Plug
18	651028	1	Screwtorx, T-15 (8-32 X 3/8")	102	651024	2	Stud-Mounting, Solid State
19	34663	1	Spring-Throttle	103	651007	2	Screw-Torx, T-15 (10-24 X 15/16")
20	35319	1	Seal-Oil	110	35187	1	Wire-Ground
25	37707A	1	Baffle-Housing, Blower	110A	37047	1	Wire-Ground
26	650561	2	Screw, 1/4-20 X 5/8"	119	36448	1	Gasket-Head, Cylinder
28	30322	1	Nut-Lock, 10-32	120	36449	1	Cylinder Head ASM
30	35571A	1	Crankshaft	125	27878A	1	Valve-Exhaust (Std.)(Incl. Ref. #151)
35	29826	1	Screw, 10-32 X 3/4"	125	27880A	1	Valve-Exhaust (1/32" Os)(Incl. Ref. #151)
36	29918	1	Washer-Lock	126	34035	1	Valve-Intake (Std.)
37	29216	1	Nut-Lock, 10-32	127	650691	2	Washer
38	29642	1	Ring-Retaining	130	6021A	7	Screw, 5/16-18 X 1-7/16"
40	40011	1	Piston, Pin And Ring Set (Std.)	130A	650727	2	Screw, 5/16-18 X 1-25/32"
40	40012	1	Piston, Pin And Ring Set (.010" Os)	130B	651055	2	Screw, 5/16-18 X 39/64"
41	40009	1	Piston And Pin ASM (Std.) (Incl. Ref. #43)	135	35395	1	Spark Plug (Rn4c)
41	40010	1	Piston And Pin ASM (.010" Os)(Incl. Ref. #43)	139	33369	1	Bracket-Gear, Governor
42	40013	1	Ring Set (Std.)	140	650836	2	Screw, 10-24 X 1/2"
42	40014	1	Ring Set (.010" Os)	149	27882	1	Cap-Valve Spring
43	27888	2	Ring-Retaining, Piston Pin	149A	35862	1	Cap-Valve Spring
45	36897	1	Connecting Rod ASM (Incl. Ref. #47 And 49)	150	27881	2	Spring-Valve
47	651033	2	Bolt-Rod, Connecting	151	32581	2	Keeper-Spring, Valve
48	34034	2	Lifter-Valve	169	27896A	1	Gasket-Cover, Valve
49	36896	1	Dipper-Oil	170	28423	1	Body-Breather
50	35375	1	Camshaft (Mcr)	171	28424	1	Element-Breather
60	33273A	1	Extension-Blower Housing	172	28425	1	Cover-Valve
65	650128	1	Screw, 10-24 X 1/2"	173	35350	1	Tube-Breather
69	37342	1	Gasket-Cover, Cylinder	174	650128	2	Screw, 10-24 X 1/2"
70	35376A	1	Cylinder Cover ASM (Incl. Ref. #71, 75 And 80-84)	178	29752	2	Nut And Lockwasher ASM
71	35377	1	Bushing-Crankshaft	182	30088A	2	Screw-Torx, T-30 (1/4-20 X 27/32")
72	27642	1	Plug-Oil Drain	183	34587A	1	Bracket-Choke
75	35319	1	Seal-Oil	184	33263	1	Gasket-Carburetor To Intake Pipe
80	37587	1	Shaft-Governor	185	33877	1	Pipe-Intake
81	651080	1	Washer	186	34667	1	Link-Governor
82	37588	1	Governor Gear ASM (Incl. Ref. #81)	186B	36652	1	Spring-Choke
83	30588A	1	Spool-Governor	200	34677	1	Control Bracket ASM (Incl. Ref. #19, 203, 204 And 206)

# Engine Assembly No. 2

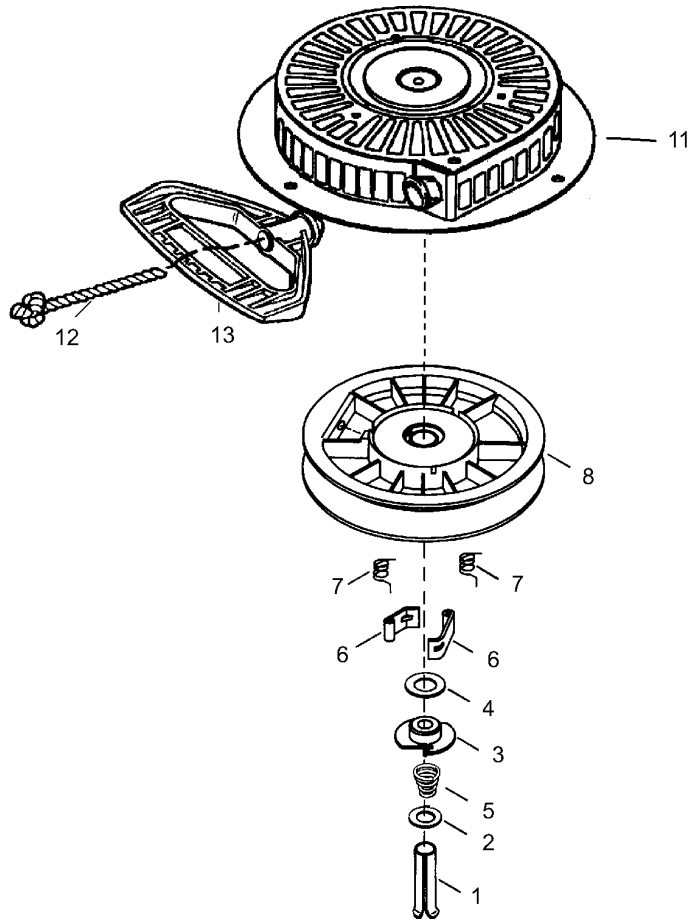
## Tecumseh HMSK-80 155723



## Engine Assembly No. 2

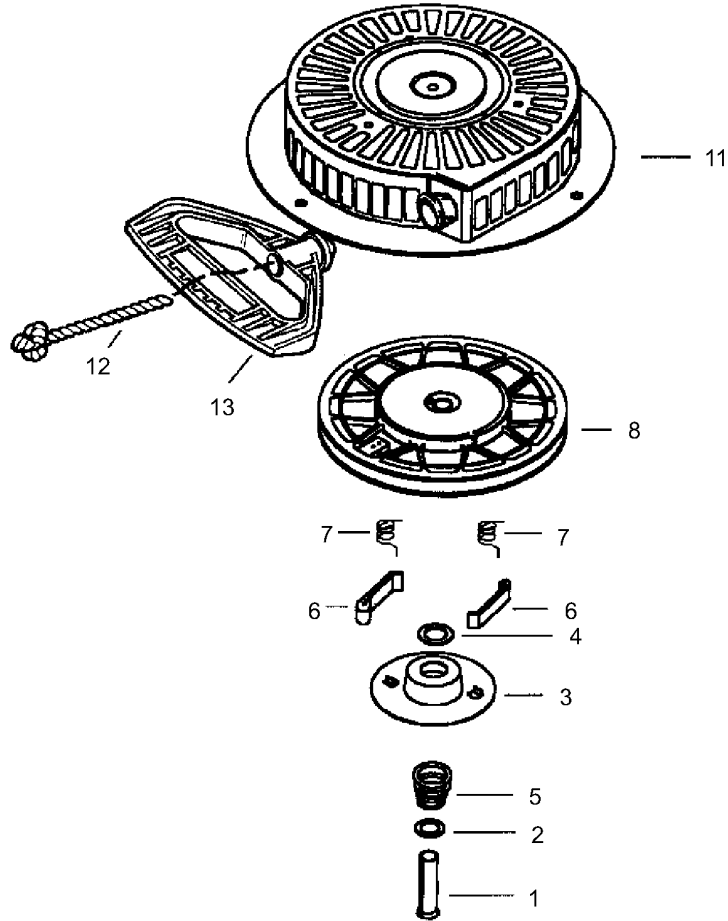
### Tecumseh HMSK-80 155723

Ref	Part No.	Qty.	Description	Ref	Part No.	Qty.	Description
203	31342	1	Spring-Compression	351	32180C	1	Line-Primer
204	651029	1	Screw-Torx, 5-40 X 7/16"	355	590574	1	Handle-Grip, Mitten
206	610973	1	Terminal	361	650990	2	Screw, T-30 1/4-20 X 15/32"
207	33878	1	Link-Throttle	364	37659	1	Bracket-Carburetor Cover
209	650821	2	Screw	365	650767	2	Screw, 8-32 X 27/64"
215	35440	1	Knob-Control	370C	36501	1	Decal-Primer
219	34586	1	Rod-Choke	370G	36534	1	Decal-Caution
220	35438	1	Knob-Choke	370H	35077	1	Decal-Instruction
222	28820	2	Screw, 10-32 X 1/2"	370I	37119	1	Decal-Warning
223	650378	2	Screw-Torx, T-30 (5/16-18 X 1-1/8")	370K	36695	1	Decal-Starter
224	27915A	1	Gasket-Intake Pipe	380	640052	1	Carburetor ASM (Incl. Ref. #184)
260	35447A	1	Housing-Blower	390	590749	1	Rewind Starter (Note: This Engine Could Have Been Built With 590733 Starter.)
261	650788	2	Screw, 1/4-20 X 3/4"	396	33329E	1	120 Volt Electric Starter Motor ASM
262	651084	2	Screw-Torx, T-40 (5/16-24 X 21/32")	400	36450C	1	Gasket Set
264A	650802	1	Screw-Torx, T-30 (1/4-20 X 1/2")	420	730226A	1	Sae 5w30 4-Cycle Engine Oil (Quart)
265	33272D	1	Cover-Cylinder Head				
275	35056	1	Muffler				
276	31588	1	Plate-Locking				
277	651002	2	Screw, 5/16-18 X 4-3/16"				
285	35985B	1	Cup-Starter				
287	29752	4	Nut And Lockwasher ASM				
290	29774	1	Line-Fuel				
291	30705	1	Line-Fuel				
292	26460	4	Clamp-Fuel Line				
295	35857	1	Valve-Fuel Shut-Off				
298	650665	2	Screw, 1/4-15 X 3/4"				
300	34156A	1	Fuel Tank ASM (Incl. Ref. #292 And 301)				
301	36246	1	Cap-Fuel				
305	35554	1	Tube-Oil Fill				
307	35499	1	O-Ring				
308	35540	1	Clip-Fill Tube				
310	36205	1	Gage Oil Assy				
314	650873	2	Screw, 1/4-20 X 3/4"				
315	611111	1	Alternator Coil ASM (Incl. Ref. #323)				
323	611118	1	Terminal				
325	29443	1	Clip-Wire				
328	35062	2	Keys-Ignition				
329	610973	1	Terminal				
335	36547A	1	Cover-Carburetor (Black)				
336	650765	1	Screw, 10-32 X 1/2"				
338	28942	2	Screw, 10-32 X 3/8"				
340	34154	1	Bracket-Fuel Tank				
341	34155	1	Bracket-Fuel Tank				
342	650561	1	Screw, 1/4-20 X 5/8"				
343	35079	1	Bracket-Switch, Key				
350	570682A	1	Primer Assembly				



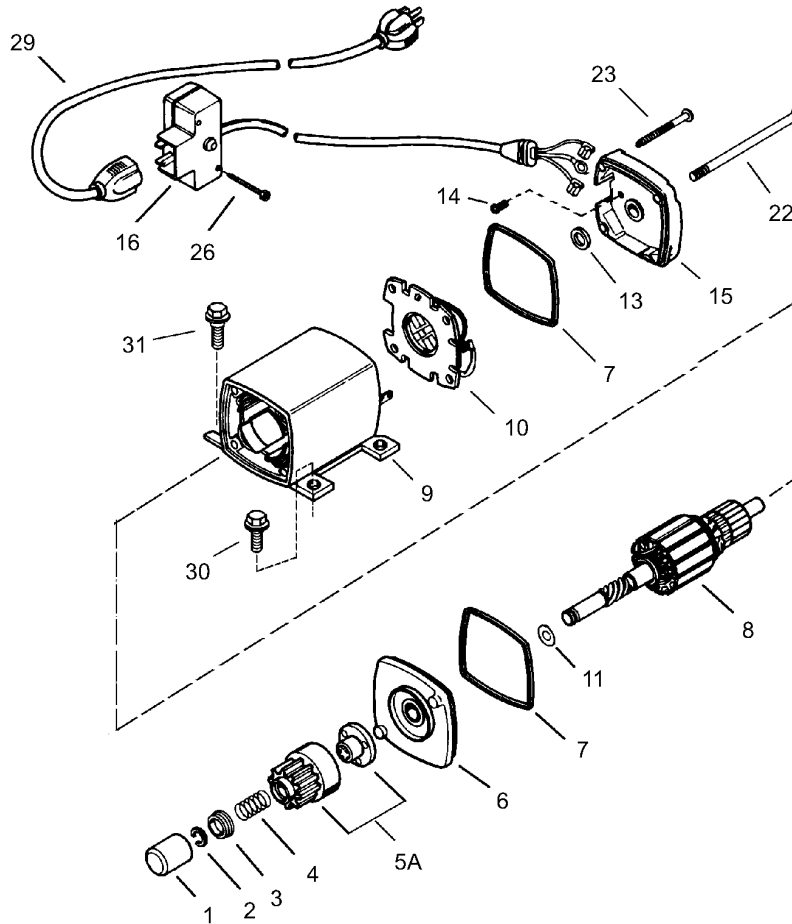
## Rewind Starter Assembly No. 590749 Tecumseh HMSK-80 155723

Ref	Part No.	Qty.	Description				
1	590599A	1	Pin-Spring (Incl. Ref. # 4)				
2	590600	1	Washer				
3	590679	1	Retainer				
4	590601	1	Washer				
5	590678	1	Brake Spring				
6	590680	2	Starter Dog				
7	590412	2	Dog Spring				
8	590682	1	Pulley & Rewind Spring ASM				
11	590750A	1	Starter Housing ASM				
12	590535	1	Starter Rope (Length 98" X 9/64" Dia)				
13	590574	1	Handle-Grip, Mitten				



## Rewind Starter Assembly No. 590733 (Optional) Tecumseh HMSK-80 155723

Ref	Part No.	Qty.	Description				
1	590599A	1	Pin-Spring (Incl. Ref. # 4)				
2	590600	1	Washer				
3	590696	1	Retainer				
4	590601	1	Washer				
5	590697	1	Brake Spring				
6	590698	2	Starter Dog				
7	590699	2	Dog Spring				
8	590709	1	Pulley And Rewind Spring ASM				
11	590734A	1	Starter Housing ASM				
12	590535	1	Starter Rope (Length 98" X 9/64" Dia)				
13	590574	1	Handle-Grip, Mitten				



## 110 Volt Electric Starter Assembly No. 33329E Tecumseh HMSK-80 155723

Ref	Part No.	Qty.	Description
①	33451	1	Dust Cover
②	33842	1	Retainer Ring
③	33430	1	Spring Retainer
④	33431	1	Anti-Drift Spring
⑤A	37050	1	Gear And Nut (Incl. Ref. #2)
⑥	35449	1	Drive End Cap ASM (Incl. Ref. #7)
⑦	35450	2	O-Ring
⑧	35915	1	Armature
⑨	35451B	1	Housing ASM
⑩	35452A	1	Brush Card ASM
⑪	35911	1	Thrust Washer
⑬	590500	1	Thrust Washer
⑭	33441	1	Ground Screw
⑮	35453	1	Commutator End Cap ASM (Incl. Ref.# 7)
⑯	35454	1	Switch Box ASM
⑳	35455	2	Case Bolt
㉑	35456	1	Ground Screw
㉒	650819	2	Screw
㉒	651032	2	Screw, 12-16 X 5/8"
㉔	32450B	1	Extension Cord
㉓	30063	2	Screw, Torx T-30, 1/4-20 X 1/2"
㉕	650820	2	Screw, 1/4-20 X 1/2"

--	--	--	--

## NOTES

## NOTES

## NOTES

