



828LE Power Max Snowthrower

Model No. 38632 - 240000001 and up.

Parts Catalog

Ordering Replacement Parts

To order replacement parts, please supply: the part number, the quantity, and the description of each part desired.

Understanding Reference Numbers

Each identified part in an illustration has a reference number. The reference number for a part also appears in the parts list, along with other information about the part.

This catalog uses two special reference number formats, one to indicate parts in a service assembly and another to indicate the quantity of a given part in an illustration.

Service Assembly Reference Numbers

Parts in service assemblies have reference numbers in the form **a:b**. The **a** represents the reference number of the entire service assembly and the **b** represents a sequential number unique to each part within the service assembly.

For example, a wheel assembly might be identified by reference number 6, the tire by **6:1**, the valve by **6:2**, and the wheel by **6:3**. When you order the assembly identified by reference number 6, you receive all parts identified by reference numbers 6:1, 6:2, and 6:3. However, you may also order any part individually. Reference numbers of this type appear in illustrations and in part lists.

Reference Numbers Indicating Quantity

In an illustration, if a reference number indicates more than one part, the reference number has the form **nX y**. The **n** represents the quantity of the part, the **X** is the multiplication symbol, and the **y** represents the reference number.

For example, in an illustration, the reference number **2X 37** means that two of the parts identified by reference number 37 are indicated.

Part Description Abbreviations

Part descriptions in this catalog may include the following abbreviations.

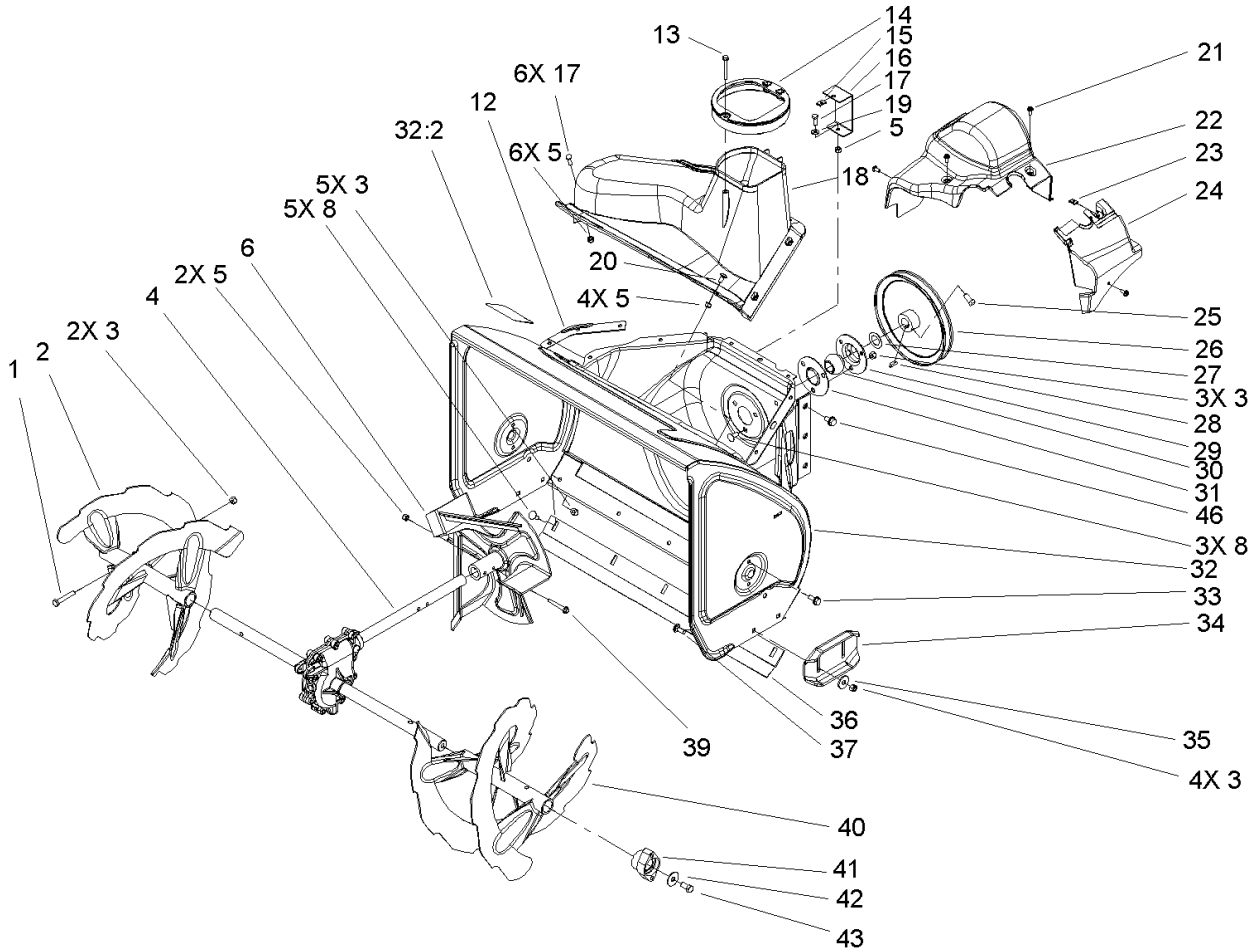
| | | | |
|-------------|--------------------------------|------------|-------------------------|
| AR. | as required | HYD. | hydraulic |
| ASM. | assembly | INC. | incorporated |
| CARR. | carriage | LH. | left hand |
| DEG. | degrees | NI. | nylon insert |
| FH. | flat head | PPH. | phillips pan head |
| GA. | gauge | PTH. | phillips truss head |
| HF. | hex flange | PTO. | power take off |
| HH. | hex head | RH. | right hand |
| HHF. | hex head flange | SFH. | slotted fillister head |
| HHFTF. | hex head flange thread forming | SHH. | slotted hex head |
| HJ. | hex jam | SHWH. | slotted hex washer head |
| HLH. | hex lag head | SPH. | slotted pan head |
| HOC. | height-of-cut | SQH. | square head |
| HS. | hex | SRH. | slotted round head |
| HSBH. | hex socket button head | STD. | standard |
| HSFH. | hex socket flat head | TAP. | self tapping |
| HS. | hex socket head | TTH. | torx truss head |
| HWH. | hex washer head | WH. | wing head |
| HWHTF. | hex washer head thread forming | | |

Footnotes

- | | | | |
|---|--|---|-------------------------------|
| ❶ | Not illustrated | ❷ | Not serviced separately |
| ❸ | Obtain parts from your local Tecumseh dealer | ❹ | Included in Gasket Set 36450C |
| ❺ | Included in Repair Kit 632760 | | |

Contents

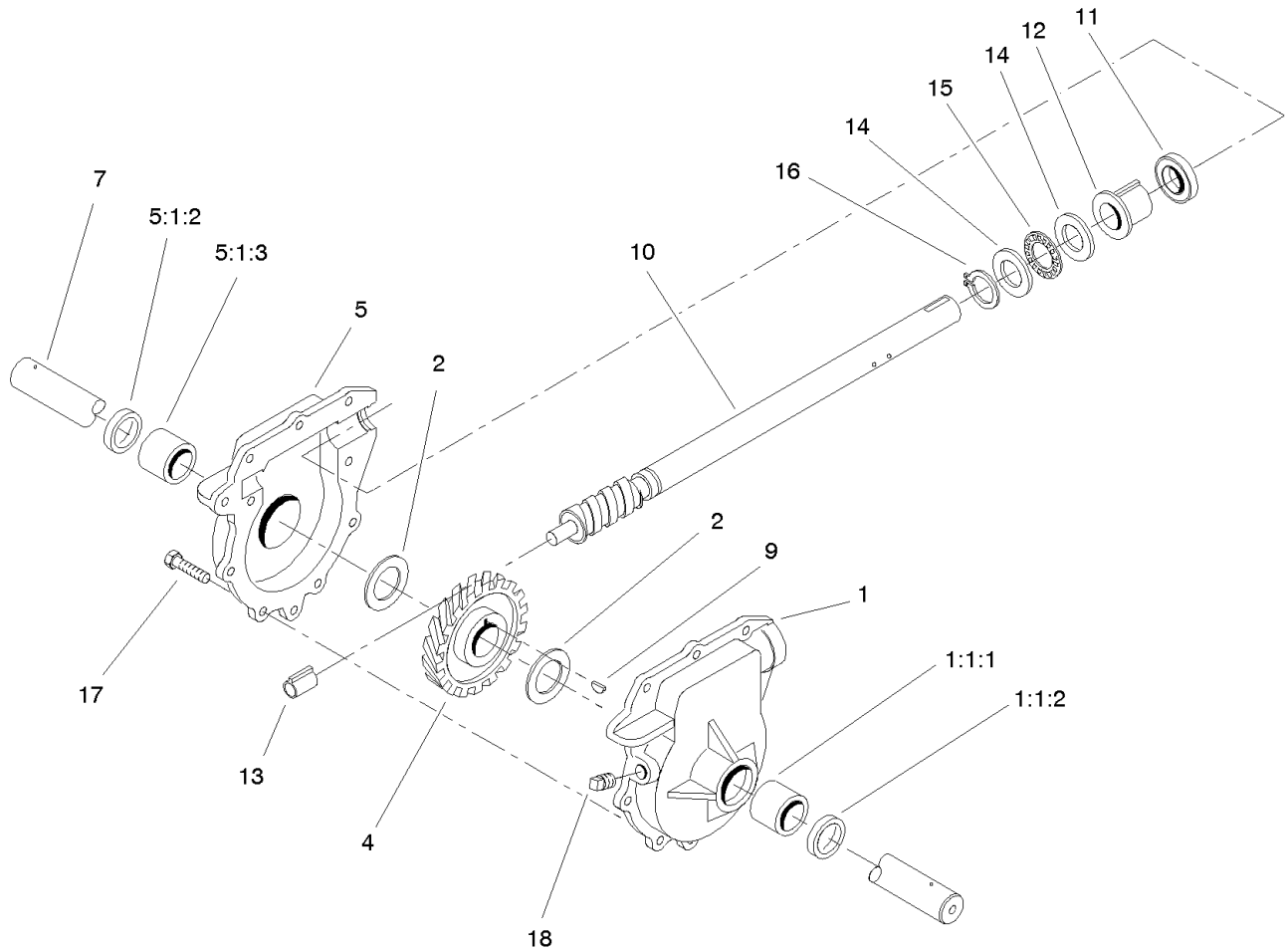
| Description | Page | Description | Page |
|---|----------|--|----------|
| Auger and Housing Assembly | 3 | Engine Assembly No. 2 Tecumseh HMSK-80 155672X | 16 |
| Gearcase Assembly Part No. 106-7254 | 4 | 120 Volt Electric Starter Motor Assembly No. 33329E Tecumseh HMSK-80 155672X | 18 |
| Chute Assembly | 5 | Rewind Starter Assembly No. 590749 Tecumseh HMSK-80 155672X | 19 |
| Chain Drive Assembly | 6 | Rewind Starter Assembly No. 590733 (Optional) Tecumseh HMSK-80 155672X | 20 |
| Frame Assembly | 7 | | |
| Handle and Control Assembly | 9 | | |
| Headlamp, Handle and Control Assembly | 10 | | |
| Chute Control Assembly | 11 | | |
| Engine Assembly | 12 | | |
| Carburetor Assembly No. 640052 Tecumseh HMSK-80 155672X | 13 | | |
| Engine Assembly No. 1 Tecumseh HMSK-80 155672X | 14 | | |



Auger and Housing Assembly

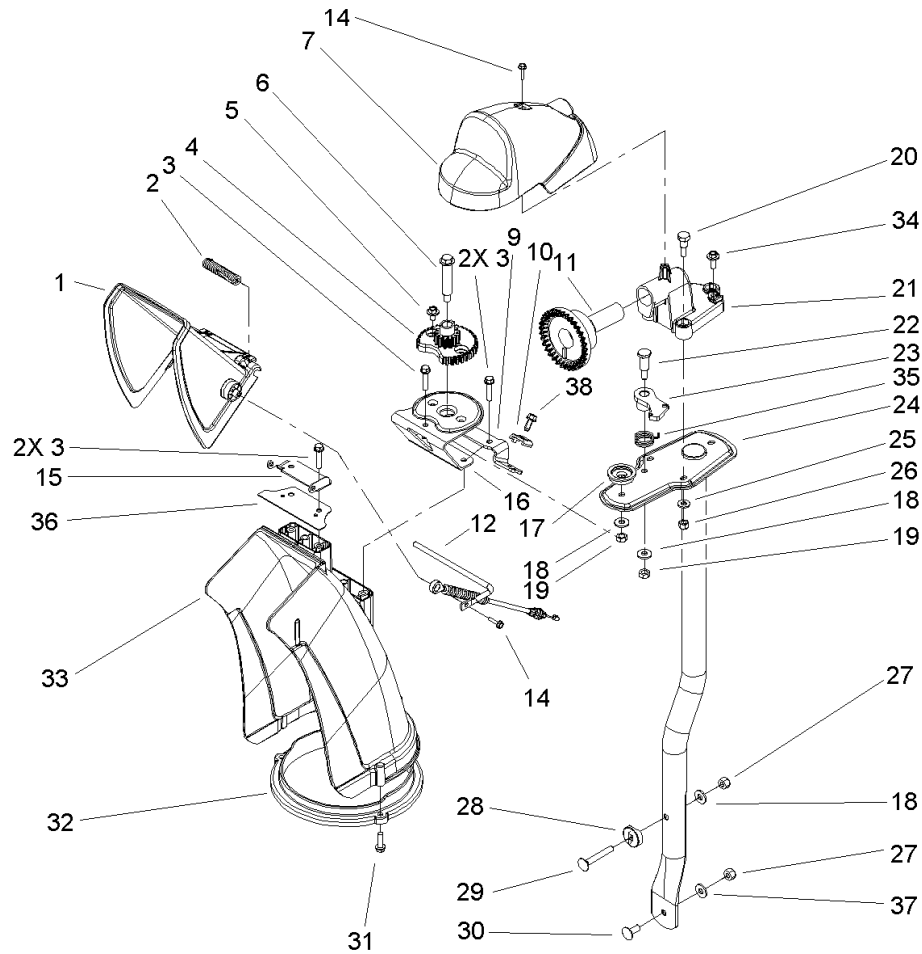
| Ref | Part No. | Qty. | Description |
|-----|-------------|------|-------------------------|
| 1 | 322-10 | 2 | Screw-HH |
| 2 | 106-7291-03 | 1 | Auger-Rh, 28in |
| 3 | 3296-29 | 14 | Nut-Lock, NI |
| 4 | 106-7254 | 1 | 28in Auger Gearcase ASM |
| 5 | 3296-42 | 13 | Nut-Lock, NI |
| 6 | 106-4576-03 | 1 | Impeller ASM |
| 8 | 3230-23 | 8 | Screw-CARR |
| 12 | 107-1017-03 | 1 | Seal-Cover Flange |
| 13 | 107-3003 | 1 | Screw-Plastite |
| 14 | 107-3006 | 1 | Guide-Chute |
| 15 | 107-1013 | 1 | Nut-Speed, U-Type |
| 16 | 107-1014-03 | 1 | Bracket-Cover, Clip Nut |
| 17 | 321-4 | 7 | Screw-HH |
| 18 | 105-9979 | 1 | Cover |
| 19 | 3256-22 | 1 | Washer-Flat |
| 20 | 3229-1 | 4 | Screw-CARR |
| 21 | 32144-112 | 4 | Screw-HWHTF |
| 22 | 107-1001 | 1 | Cover-Belt |
| 23 | 701493 | 1 | Nut-Speed |
| 24 | 107-1016 | 1 | Cover-Belt Extension |
| 25 | 3242-4 | 2 | Screw-Set, SQH |
| 26 | 62-1300 | 1 | Pulley-Impeller |
| 27 | 252-80 | 1 | Washer-Thrust |
| 28 | 3257-23 | 1 | Key-Woodruff |

| Ref | Part No. | Qty. | Description |
|------|-------------|------|------------------------|
| 29 | 26-6110 | 1 | Flange-Cup, Bearing |
| 30 | 63-3450 | 1 | Bearing-Ball |
| 31 | 26-6120 | 1 | Flange-Cup, Bearing |
| 32 | 107-3823 | 1 | 28in Auger Housing ASM |
| 32:2 | 53-7670 | 1 | Decal-Warning, Auger |
| 33 | 32144-70 | 4 | Screw-HH |
| 34 | 106-4588-01 | 2 | Skid |
| 35 | 52-2861 | 4 | Washer |
| 36 | 106-4573-01 | 1 | Scraper-Fixed, 28in |
| 37 | 3230-16 | 4 | Screw-CARR |
| 39 | 321-44 | 2 | Screw-HHF |
| 40 | 106-7301-03 | 1 | 28in LH Auger ASM |
| 41 | 106-4570 | 2 | Auger-Bearing |
| 42 | 3-0750 | 2 | Washer |
| 43 | 323-4 | 2 | Screw-HH |
| 46 | 32144-14 | 6 | Screw-HWH |



Gearcase Assembly Part No. 106-7254

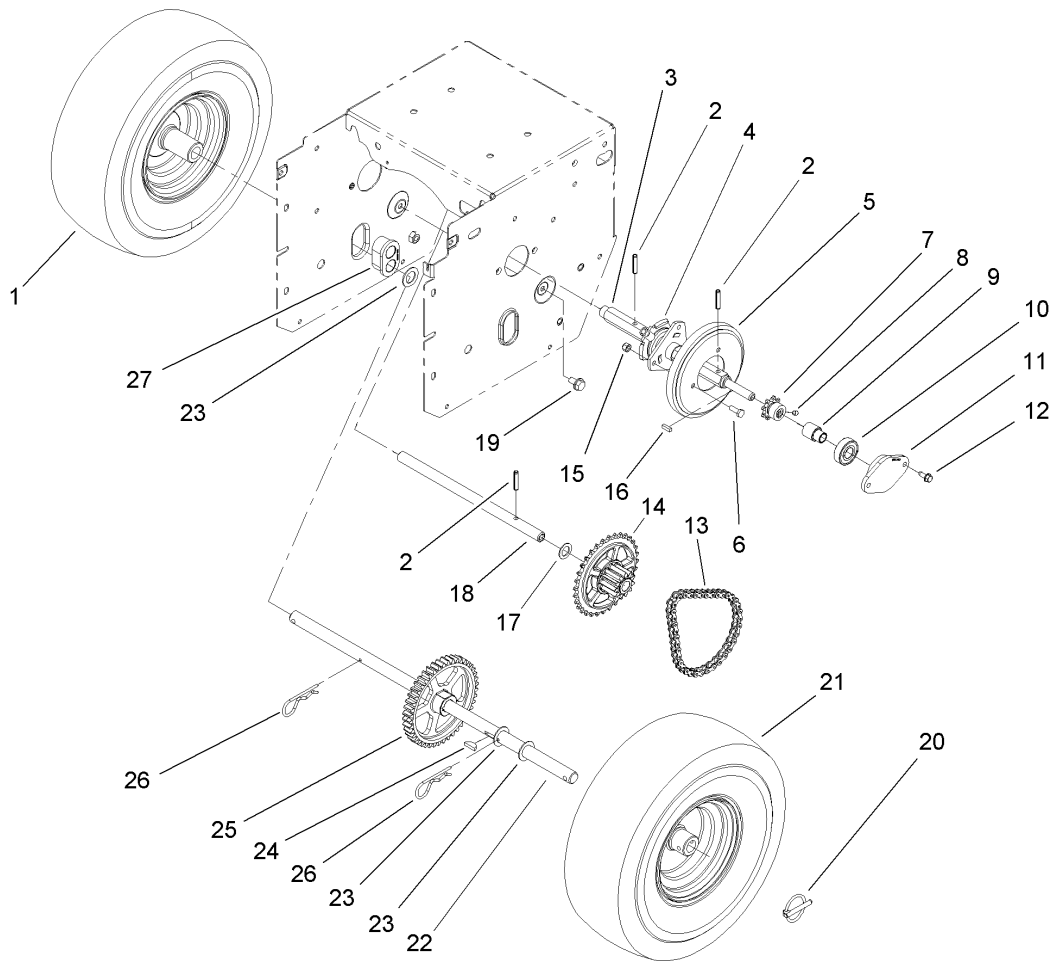
| Ref | Part No. | Qty. | Description | | | | |
|-------|-----------|------|-----------------------|--|--|--|--|
| 1 | 74-1570 | 1 | LH Auger Gearcase ASM | | | | |
| ② 1:1 | | 1 | LH Auger Gearcase ASM | | | | |
| 1:1:1 | 256-237 | 1 | Bushing | | | | |
| 1:1:2 | 7-0045 | 1 | Seal-Oil | | | | |
| 2 | 252-71 | 2 | Washer-Thrust | | | | |
| 4 | 62-0120 | 1 | Gear-Helical | | | | |
| 5 | 74-1580 | 1 | RH Auger Gearcase ASM | | | | |
| ② 5:1 | | 1 | RH Auger Gearcase ASM | | | | |
| 5:1:2 | 7-0045 | 1 | Seal-Oil | | | | |
| 5:1:3 | 256-237 | 1 | Bushing | | | | |
| 7 | 106-4421 | 1 | Shaft-Auger, 28in | | | | |
| 9 | 3257-10 | 1 | Key-Woodruff | | | | |
| 10 | 66-7811 | 1 | Shaft-Impeller | | | | |
| 11 | 253-149 | 1 | Seal-Oil | | | | |
| 12 | 37-6560 | 1 | Bushing-Input | | | | |
| 13 | 62-1150 | 1 | Bushing-Worm | | | | |
| 14 | 252-78 | 2 | Bearing-Thrust | | | | |
| 15 | 252-76 | 1 | Bearing-Thrust | | | | |
| 16 | 32151-33 | 1 | Ring-Retaining, Ext | | | | |
| 17 | 32144-110 | 9 | Screw-HWH | | | | |
| 18 | 281-1 | 1 | Plug-Pipe, SQH | | | | |



Chute Assembly

| Ref | Part No. | Qty. | Description |
|-----|-------------|------|------------------------|
| 1 | 106-4587 | 1 | Deflector-Chute |
| 2 | 106-4594 | 1 | Spring-Torsion |
| 3 | 46-8092 | 5 | Screw-Plastite |
| 4 | 106-4472 | 1 | Gear-Chute |
| 5 | 46-6810 | 2 | Screw And Washer ASM |
| 6 | 100-9880 | 1 | Bolt-Shoulder |
| 7 | 106-4585 | 1 | Cover-Gear, Chute |
| 9 | 106-7296 | 1 | Bracket-Cable, Clamp |
| 10 | 106-7297 | 1 | Clamp-Cable |
| 11 | 106-4471 | 1 | Gear-Face |
| 12 | 107-1021 | 1 | Rod-Deflector |
| 14 | 98-1375 | 2 | Screw-HWH |
| 15 | 106-7266 | 1 | Bracket-Deflector |
| 16 | 106-4582-03 | 1 | Bracket-Support, Chute |
| 17 | 106-4422 | 1 | Spacer-Chute |
| 18 | 3256-2 | 3 | Washer-Flat |
| 19 | 3296-47 | 2 | Nut-Lock, NI |
| 20 | 106-7276 | 3 | Screw-Shoulder |
| 21 | 106-7257 | 1 | Mount-Gear, Face |
| 22 | 63-2650 | 1 | Screw-Shoulder |
| 23 | 106-4476 | 1 | Latch-Chute |
| 24 | 106-7253-03 | 1 | Tube-Support |
| 25 | 3256-22 | 3 | Washer-Flat |
| 26 | 3296-42 | 3 | Nut-Lock, NI |

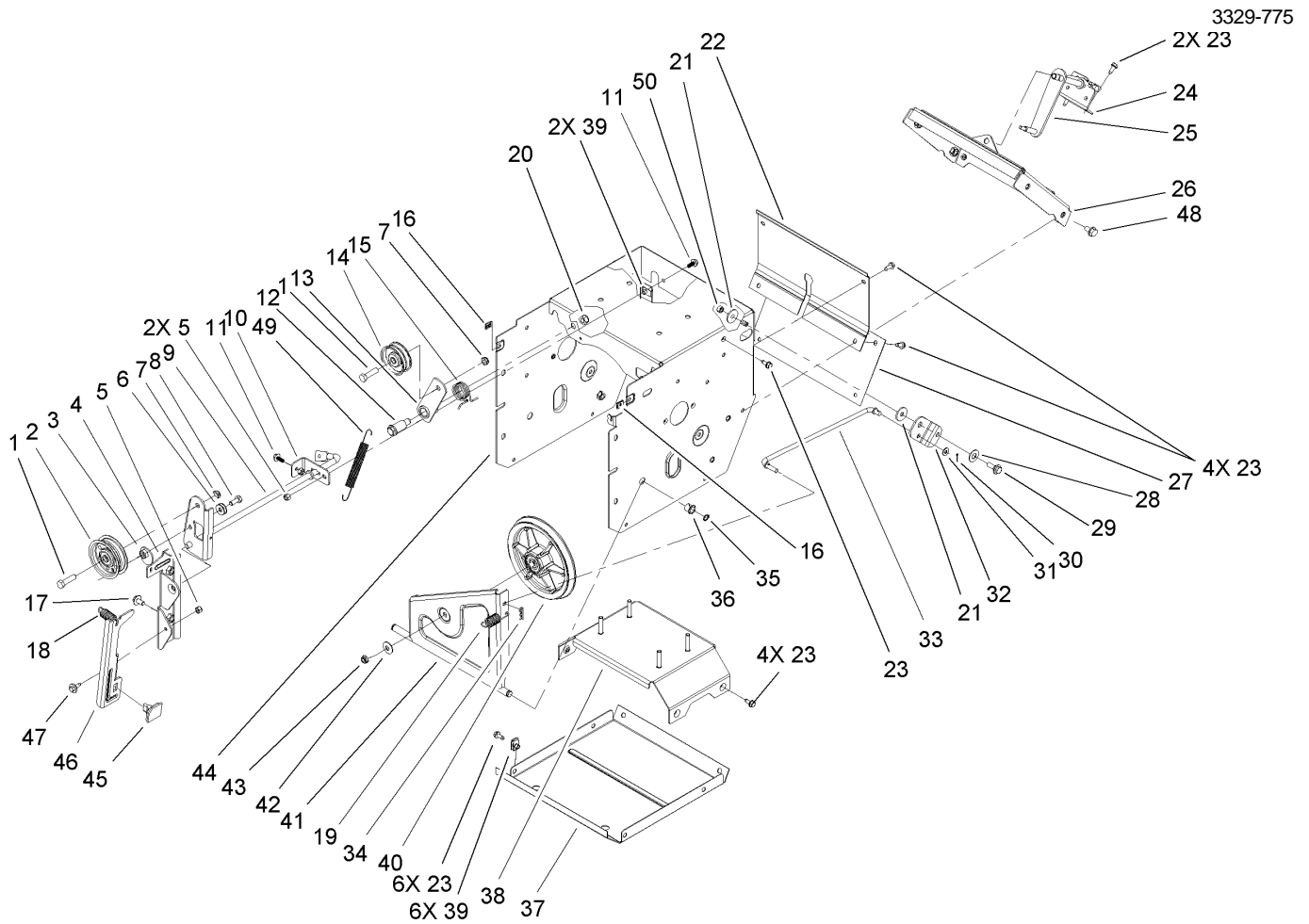
| Ref | Part No. | Qty. | Description |
|-----|----------|------|-------------------|
| 27 | 3296-29 | 2 | Nut-Lock, NI |
| 28 | 106-7260 | 1 | Washer-Curved |
| 29 | 3230-5 | 1 | Screw-CARR |
| 30 | 3230-23 | 1 | Screw-CARR |
| 31 | 46-8091 | 3 | Screw-HWH |
| 32 | 105-9991 | 1 | Ring-Chute |
| 33 | 106-4440 | 1 | Chute-Discharge |
| 34 | 46-6811 | 1 | Screw-HWH |
| 35 | 106-4475 | 1 | Spring-Torsion |
| 36 | 107-1019 | 1 | Seal-Chute |
| 37 | 3290-456 | 1 | Washer-Belleville |
| 38 | 32144-10 | 1 | Screw-HWH |



Chain Drive Assembly

| Ref | Part No. | Qty. | Description |
|-----|----------|------|------------------------|
| 1 | 107-3043 | 1 | Rim-Tire |
| 1 | 107-3042 | 1 | Tire |
| 2 | 32121-9 | 3 | Pin-Spring |
| 3 | 106-4593 | 1 | Shaft-Hex, Chain |
| 4 | 106-4434 | 1 | Trunion-Hex |
| 5 | 106-4480 | 1 | Wheel-Friction |
| 6 | 321-4 | 3 | Screw-HH |
| 7 | 106-7317 | 1 | Sprocket-8 Tooth |
| 8 | 3245-32 | 2 | Screw-HS |
| 9 | 106-7250 | 1 | Spacer-Bearing, Sleeve |
| 10 | 100-1048 | 2 | Bearing-Ball |
| 11 | 106-7308 | 2 | Retainer-Bearing |
| 12 | 32144-10 | 4 | Screw-HWH |
| 13 | 2710-6 | 1 | Link-Connecting |
| 13 | 106-7293 | 1 | Chain-Roller |
| 14 | 106-7261 | 1 | Sprocket ASM |
| 15 | 3296-42 | 3 | Nut-Lock, NI |
| 16 | 94-8850 | 1 | Key-Square |
| 17 | 107-3041 | 1 | Washer-Flat |
| 18 | 106-4592 | 1 | Shaft-Intermediate |
| 19 | 32144-14 | 2 | Screw-HWH |
| 20 | 107-3039 | 2 | Klik Pin ASM |
| 21 | 107-3043 | 1 | Rim-Tire |
| 21 | 107-3042 | 1 | Tire |

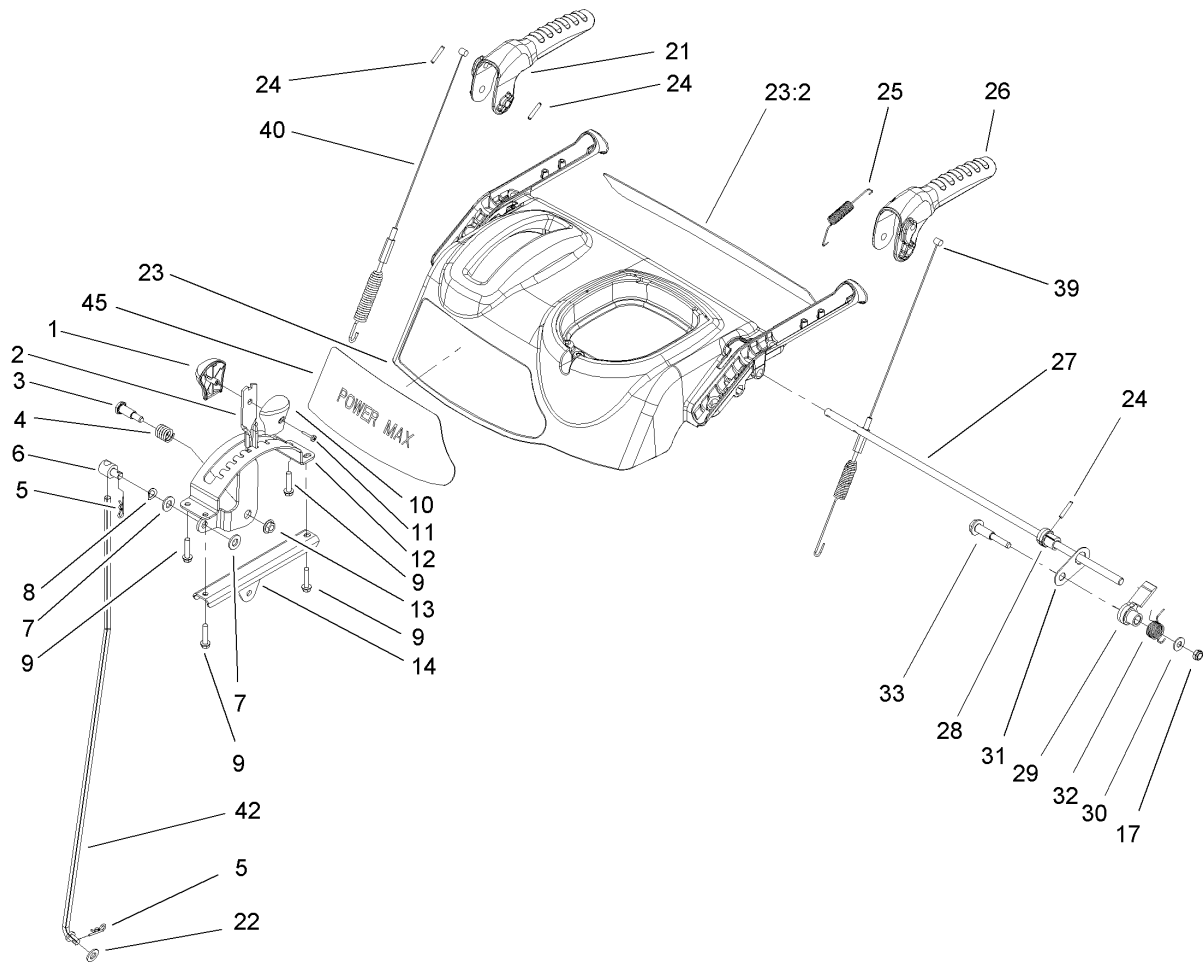
| Ref | Part No. | Qty. | Description |
|-----|----------|------|---------------------|
| 22 | 106-4449 | 1 | Shaft-Axle |
| 23 | 3-8664 | 3 | Washer-Thrust |
| 24 | 3257-7 | 1 | Key-Woodruff |
| 25 | 106-4572 | 1 | Gear-Axle, 44 Tooth |
| 26 | 3290-343 | 2 | Pin-Hair |
| 27 | 106-4558 | 2 | Bearing-Axle |
| 30 | 99-9300 | 1 | Cord-Extension |



Frame Assembly

| Ref | Part No. | Qty. | Description |
|-----|-------------|------|-------------------------|
| 1 | 323-8 | 2 | Screw-HH |
| 2 | 92-7104 | 1 | Pulley-Idler |
| 3 | 107-1047 | 1 | Nut-ASM |
| 4 | 107-1039 | 1 | Bracket-Idler, Impeller |
| 5 | 3296-42 | 3 | Nut-Lock, NI |
| 6 | 3290-456 | 1 | Washer-Belleville |
| 7 | 3296-59 | 2 | Nut-Lock, NI |
| 8 | 322-3 | 1 | Screw-HH |
| 9 | 106-7339-03 | 1 | Auger Clutch ASM |
| 10 | 106-7341 | 1 | Bracket-Clutch Rear |
| 11 | 99-6810 | 2 | Screw-HH |
| 12 | 107-1022 | 1 | Bolt-Shoulder |
| 13 | 106-7312 | 1 | Arm-Idler, Traction |
| 14 | 3-4244 | 1 | Pulley-Idler |
| 15 | 93-4816 | 1 | Spring-Torsion, RH |
| 16 | 107-1013 | 2 | Nut-Speed, U-Type |
| 17 | 3234-7 | 2 | Screw-HHF |
| 18 | 107-1045 | 1 | Spring-Extension |
| 19 | 107-1003 | 1 | Spring-Extension |
| 20 | 3296-76 | 1 | Nut-Lock, NI |
| 21 | 5-4460 | 2 | Washer-Pivot |
| 22 | 106-4556-01 | 1 | Cover-Upper |
| 23 | 32144-10 | 17 | Screw-HWH |
| 24 | 106-7325 | 1 | Bracket-Shift Rod |

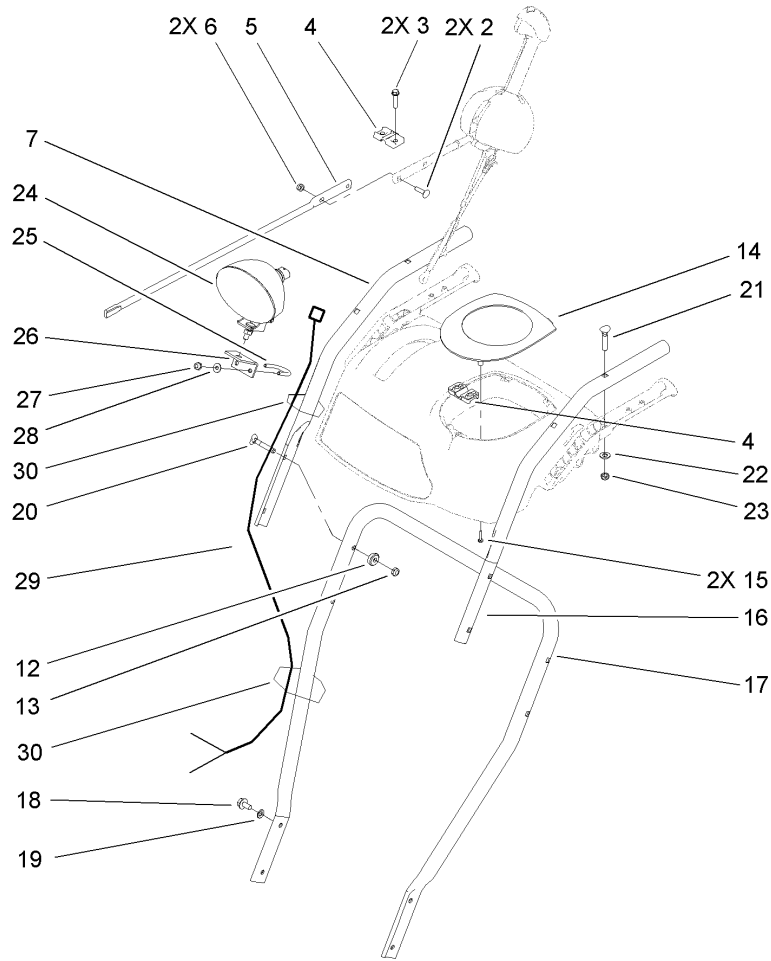
| Ref | Part No. | Qty. | Description |
|-----|-------------|------|-------------------------|
| 25 | 106-7268 | 1 | Lever-Control, Traction |
| 26 | 106-7342-01 | 1 | Shift Plate ASM |
| 27 | 106-7345-01 | 1 | Cover-Lower |
| 28 | 25-5640 | 1 | Washer |
| 29 | 27-0410 | 1 | Screw-Shoulder |
| 30 | 3272-4 | 1 | Pin-Cotter |
| 31 | 3256-23 | 1 | Washer-Flat |
| 32 | 107-1011 | 1 | Bellcrank-Drive |
| 33 | 106-4467 | 1 | Link-Control, Speed |
| 34 | 3290-307 | 1 | Pin-Hair |
| 35 | 32151-61 | 2 | Ring-Retaining |
| 36 | 256-257 | 2 | Bushing-Nyliner |
| 37 | 106-7330-01 | 1 | Pan-Bottom |
| 38 | 106-7315 | 1 | Brace Frame ASM |
| 39 | 107069 | 8 | Clip |
| 40 | 106-4500 | 1 | Pulley-Traction |
| 41 | 106-7274 | 1 | Pulley Pivot ASM |
| 42 | 3290-340 | 1 | Washer-Belleville |
| 43 | 3296-5 | 1 | Nut-Lock, NI |
| 44 | 106-4495-01 | 1 | Frame-Traction |
| 45 | 66-8060 | 1 | Pad-Brake |
| 46 | 107-1000 | 1 | Arm-Brake |
| 47 | 92-9698 | 1 | Screw-Shoulder |
| 48 | 32144-14 | 4 | Screw-HWH |



Handle and Control Assembly

| Ref | Part No. | Qty. | Description |
|------|-------------|------|-----------------------|
| 1 | 106-4423 | 1 | Knob-Shift, RH |
| 2 | 106-7278-03 | 1 | Selector-Speed |
| 3 | 63-2650 | 1 | Screw-Shoulder |
| 4 | 107-3017 | 1 | Spring-Compression |
| 5 | 3290-307 | 2 | Pin-Hair |
| 6 | 101161 | 1 | Trunnion |
| 7 | 3256-24 | 2 | Washer-Flat |
| 8 | 612586 | 1 | Washer-Spring |
| 9 | 46-8092 | 4 | Screw-Plastite |
| 10 | 105-9999 | 1 | Knob-Shift, LH |
| 11 | 94-4496 | 1 | Screw-PPH |
| 12 | 106-7277-03 | 1 | Guide-Selector, Speed |
| 13 | 32128-13 | 1 | Nut-HF |
| 14 | 106-7279-03 | 1 | Mount-Selector, Speed |
| 17 | 3296-72 | 1 | Nut-Lock, NI |
| 21 | 106-4413 | 1 | Lever-Auger |
| 22 | 3256-38 | 1 | Washer-Flat |
| 23 | 107-3825 | 1 | Control Panel ASM |
| 23:2 | 106-4521 | 1 | Decal-Control Panel |
| 24 | 32121-125 | 3 | Pin-Spring |
| 25 | 107-3001 | 1 | Spring-Tension |
| 26 | 106-4410 | 1 | Lever-Traction |
| 27 | 105-9996 | 1 | Rod-Lockout |
| 28 | 107-1043 | 1 | Cam-Lockout |

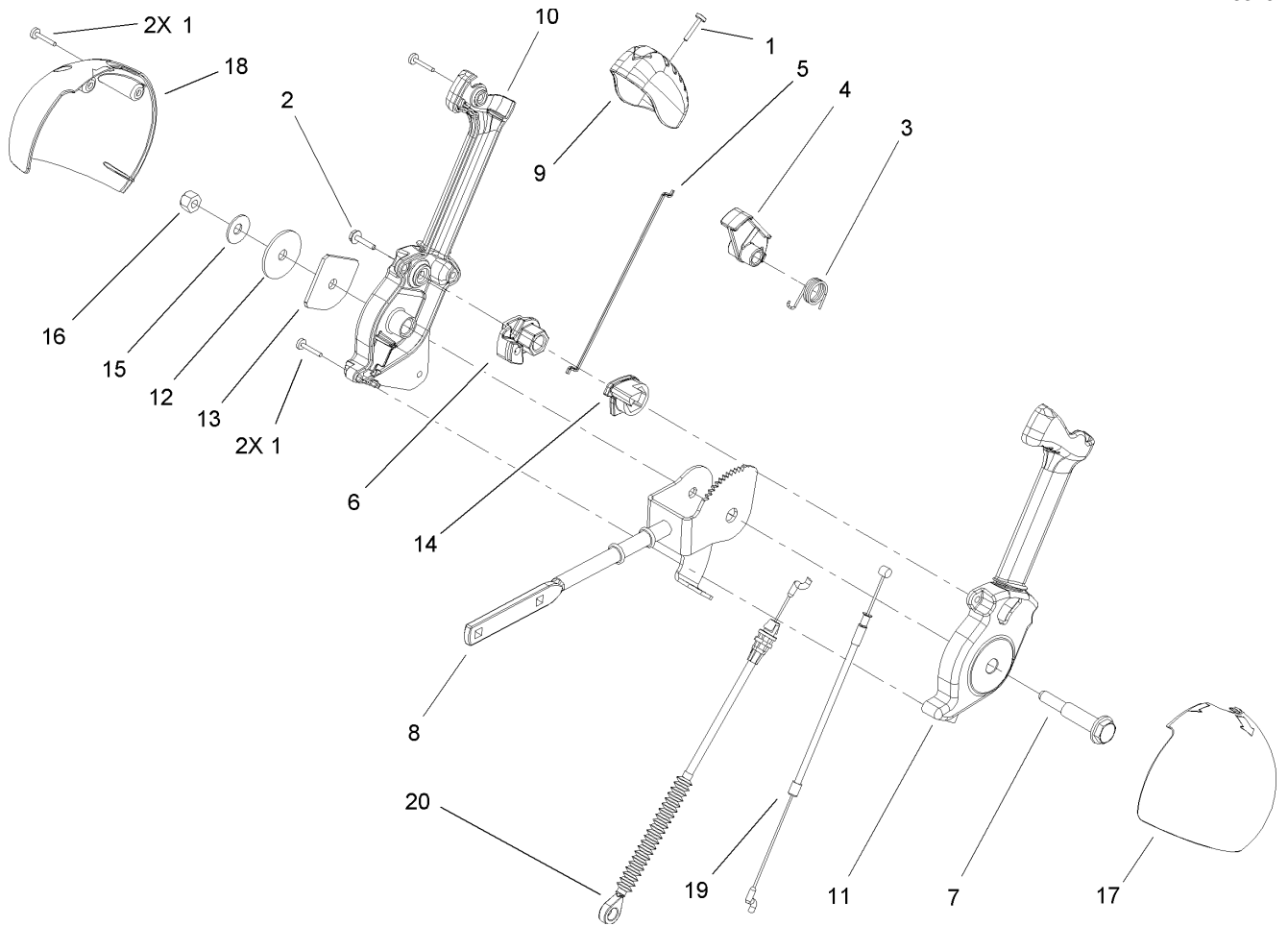
| Ref | Part No. | Qty. | Description |
|-----|----------|------|---------------------|
| 29 | 107-1044 | 1 | Latch-Lockout |
| 30 | 98-3499 | 1 | Washer-Flat |
| 31 | 107-3000 | 1 | Link-Lockout |
| 32 | 105-9998 | 1 | Spring-Torsion |
| 33 | 106-4412 | 1 | Screw-Shoulder |
| 39 | 106-4563 | 1 | Cable-Traction |
| 40 | 106-4599 | 1 | Cable-Auger |
| 42 | 107-1005 | 1 | Rod-Shift |
| 45 | 107-3030 | 1 | Decal-Control Panel |



Headlamp, Handle and Control Assembly

| Ref | Part No. | Qty. | Description |
|-----|-------------|------|----------------------|
| 2 | 3229-30 | 2 | Screw-CARR |
| 3 | 46-8092 | 2 | Screw-Plastite |
| 4 | 105-9987 | 2 | Support-Rod |
| 5 | 106-7283 | 1 | Rod-Chute, Front |
| 6 | 3296-73 | 2 | Nut-Lock, NI |
| 7 | 105-9994-03 | 1 | Handle-Upper, RH |
| 12 | 107-3844 | 4 | Washer |
| 13 | 3296-72 | 4 | Nut-Lock, NI |
| 14 | 106-4586 | 1 | Cover-Panel, Control |
| 15 | 94-4496 | 2 | Screw-PPH |
| 16 | 105-9993-03 | 1 | Handle-Upper, LH |
| 17 | 105-9981-03 | 1 | Handle-Lower |
| 18 | 32144-14 | 4 | Screw-HWH |
| 19 | 3290-475 | 4 | Washer-Belleville |
| 20 | 92-2260 | 4 | Screw-Handle |
| 21 | 107-3018 | 4 | Screw-Handle |
| 22 | 3256-70 | 4 | Washer-Flat |
| 23 | 3296-72 | 4 | Nut-Lock, NI |
| 24 | 106-4510 | 1 | Headlamp-ASM |
| 25 | 107-3024 | 1 | Clamp-Light |
| 26 | 107-1020-03 | 1 | Bracket-Light |
| 27 | 3296-73 | 2 | Nut-Lock, NI |
| 28 | 3256-1 | 2 | Washer-Flat |
| 29 | 106-4511 | 1 | Harness-Wire |

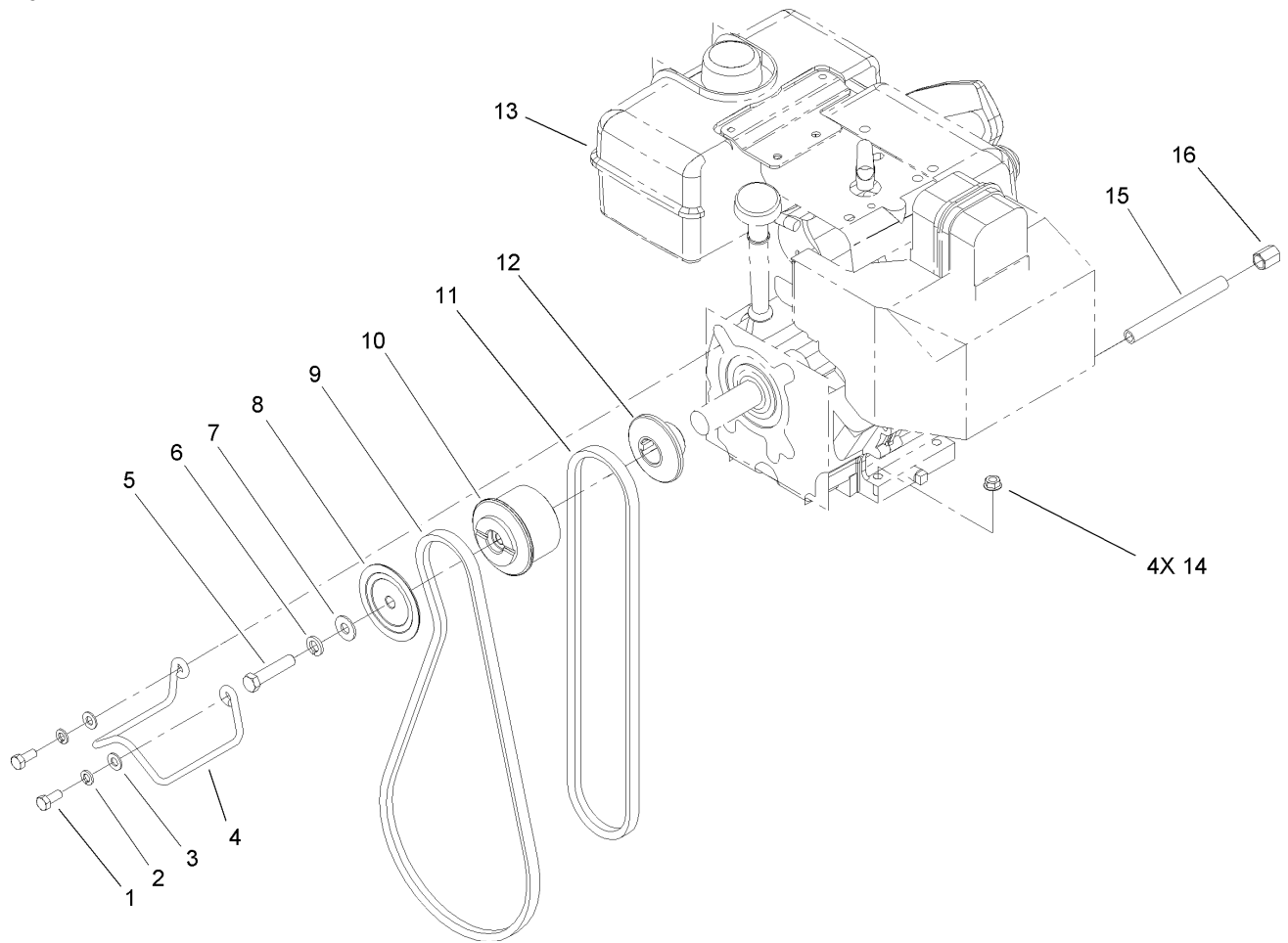
| Ref | Part No. | Qty. | Description |
|-----|----------|------|-------------|
| 30 | 614249 | 2 | Strap-Tie |



Chute Control Assembly

| Ref | Part No. | Qty. | Description |
|-----|----------|------|--------------------------|
| 1 | 94-4496 | 5 | Screw-PPH |
| 2 | 98-1375 | 1 | Screw-HWH |
| 3 | 105-9982 | 1 | Spring-Torsion |
| 4 | 105-9984 | 1 | Trigger-Latch |
| 5 | 105-9985 | 1 | Link-Latch |
| 6 | 105-9988 | 1 | Lever-Cable, Deflector |
| 7 | 105-9995 | 1 | Screw-Shoulder |
| 8 | 106-4479 | 1 | Rod-Control, Chute |
| 9 | 106-7280 | 1 | Cap-Lever |
| 10 | 106-7281 | 1 | Lever-Chute Control, RH |
| 11 | 106-7282 | 1 | Lever-Chute Control, LH |
| 12 | 107-3002 | 1 | Washer-Nylon |
| 13 | 106-7295 | 1 | Plate-Friction |
| 14 | 106-7310 | 1 | Pawl-Latch |
| 15 | 3290-456 | 1 | Washer-Belleville |
| 16 | 3296-29 | 1 | Nut-Lock, NI |
| 17 | 105-9986 | 1 | Cover-Chute Lever, LH |
| 18 | 106-7292 | 1 | Cover-Chute Lever, RH |
| 19 | 105-9989 | 1 | Cable-Chute Release |
| 20 | 105-9990 | 1 | Cable-Control, Deflector |

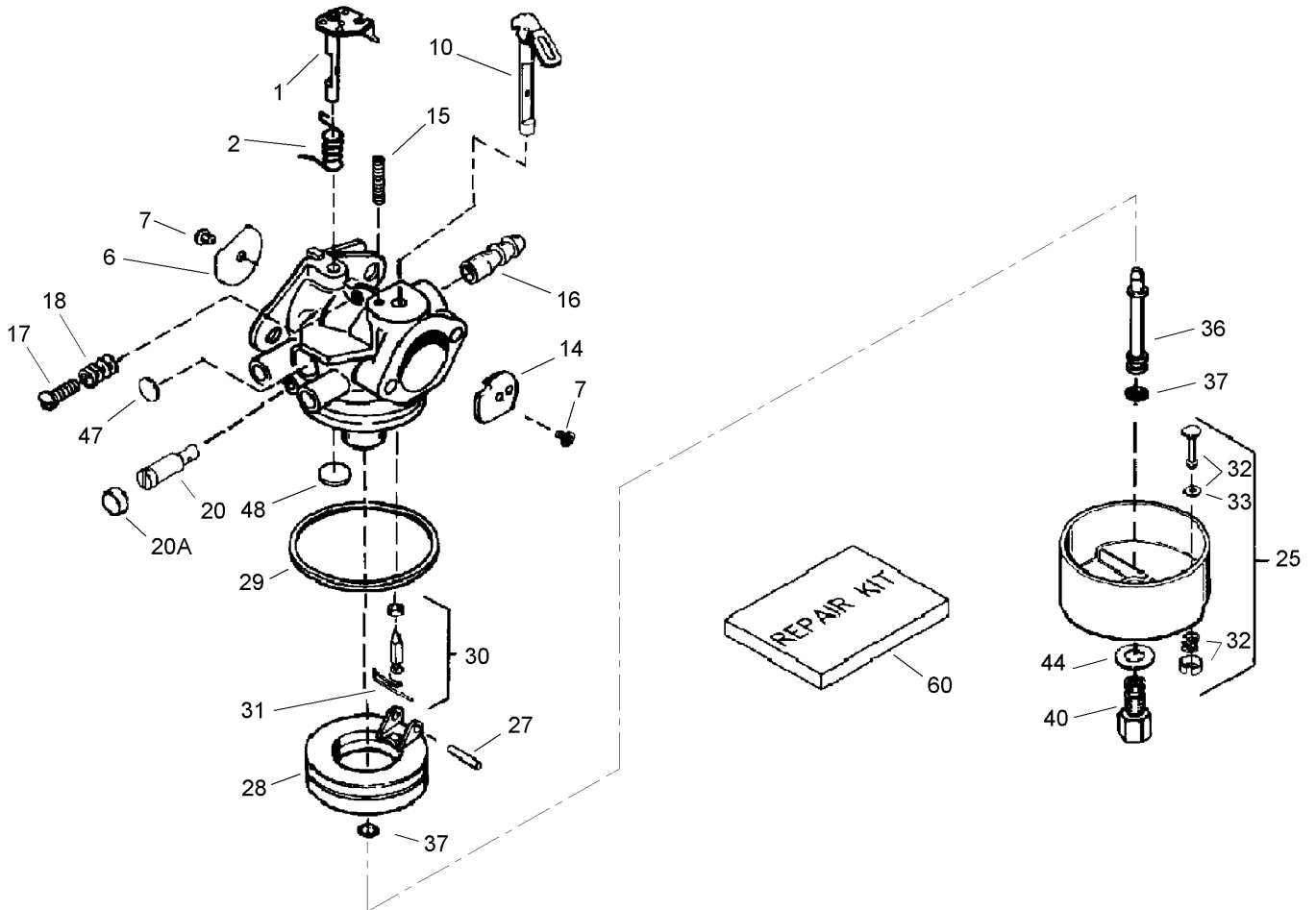
| | | | |
|--|--|--|--|
| | | | |
| | | | |
| | | | |
| | | | |



Engine Assembly

| Ref | Part No. | Qty. | Description |
|-----|----------|------|-------------------------------------|
| 1 | 3210-3 | 2 | Screw-HH |
| 2 | 3253-4 | 2 | Washer-Lock |
| 3 | 3256-23 | 2 | Washer-Flat |
| 4 | 107-3835 | 1 | Guide-Belt |
| 5 | 3212-8 | 1 | Screw-HH |
| 6 | 3253-6 | 1 | Washer-Lock |
| 7 | 3256-4 | 1 | Washer-Flat |
| 8 | 62-0940 | 1 | Sheave-Half, Impeller |
| 9 | 106-4498 | 1 | Belt-V |
| 10 | 106-7333 | 1 | Pulley-Engine, Center |
| 11 | 94-8812 | 1 | V-Belt, Traction |
| 12 | 106-7334 | 1 | Sheave-Half, Traction |
| 13 | | 1 | Engine-Tecumseh, Hmsk-80 155672x |
| 14 | 32128-20 | 4 | Nut-HF |
| 15 | 289-34 | 1 | Nipple-Pipe |
| 16 | 288-2 | 1 | Cap-Pipe |

| | | | |
|--|--|--|--|
| | | | |
|--|--|--|--|



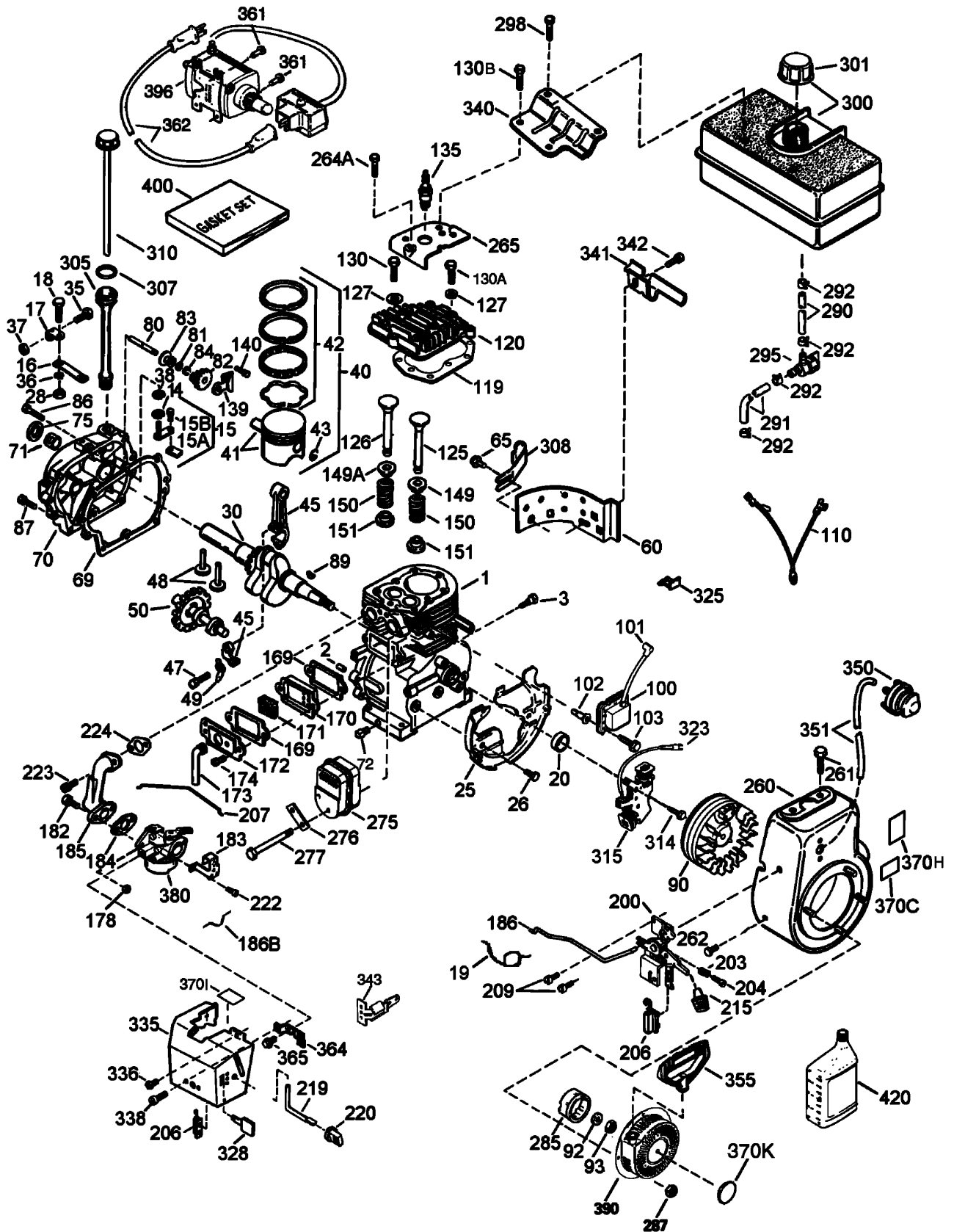
Carburetor Assembly No. 640052 Tecumseh HMSK-80 155672X

| Ref | Part No. | Qty. | Description |
|-----|----------|------|---|
| ① | 631776A | 1 | Throttle Shaft And Lever ASM |
| ② | 631970 | 1 | Spring-Throttle Return |
| ⑥ | 631778 | 1 | Shutter-Throttle |
| ②⑦ | 650506 | 2 | Screw-Shutter |
| ⑩ | 632112 | 1 | Choke Shaft And Lever ASM |
| ⑭ | 632174 | 1 | Shutter-Choke |
| ⑮ | 630735 | 1 | Spring-Choke Positioning |
| ⑰ | 632164 | 1 | Fitting-Fuel |
| ⑰ | 650417 | 1 | Screw-Idle Speed |
| ⑱ | 630766 | 1 | Spring-Tension |
| ⑳ | 640016 | 1 | Screw-Idle Restrictor |
| ⑳A | 640053 | 1 | Cap-Idle Restrictor Screw |
| ⑳ | 631951 | 1 | Float Bowl ASM (Incl. Ref. #32 And 33) |
| ⑳⑳ | 631024 | 1 | Shaft-Float |
| ⑳ | 632765 | 1 | Float |
| ⑳⑳ | 631028 | 1 | O-Ring, Float Bowl |
| ⑳⑳ | 631021 | 1 | Inlet Needle, Seat And Clip (Incl. Ref. # 31) |
| ⑳ | 631022 | 1 | Clip-Spring |
| ⑳ | 27136A | 1 | Bowl Drain ASM |
| ⑳⑳ | 27554 | 1 | Gasket-Drain Plunger |
| ⑳ | 640005 | 1 | Tube-Main Nozzle |
| ⑳⑳ | 632547 | 2 | O-Ring, Main Nozzle Tube |

| Ref | Part No. | Qty. | Description |
|-----|----------|------|-------------------------------|
| ④④ | 640055 | 1 | Nut-High Speed, Bowl |
| ④④④ | 27110 | 1 | Gasket |
| ④④④ | 630748 | 1 | Plug-Welch, Idle Mixture Well |
| ④④④ | 631027 | 1 | Plug-Welch, Vent |
| ④⑥④ | 632760 | 1 | Repair Kit |

Engine Assembly No. 1

Tecumseh HMSK-80 155672X



Engine Assembly No. 1

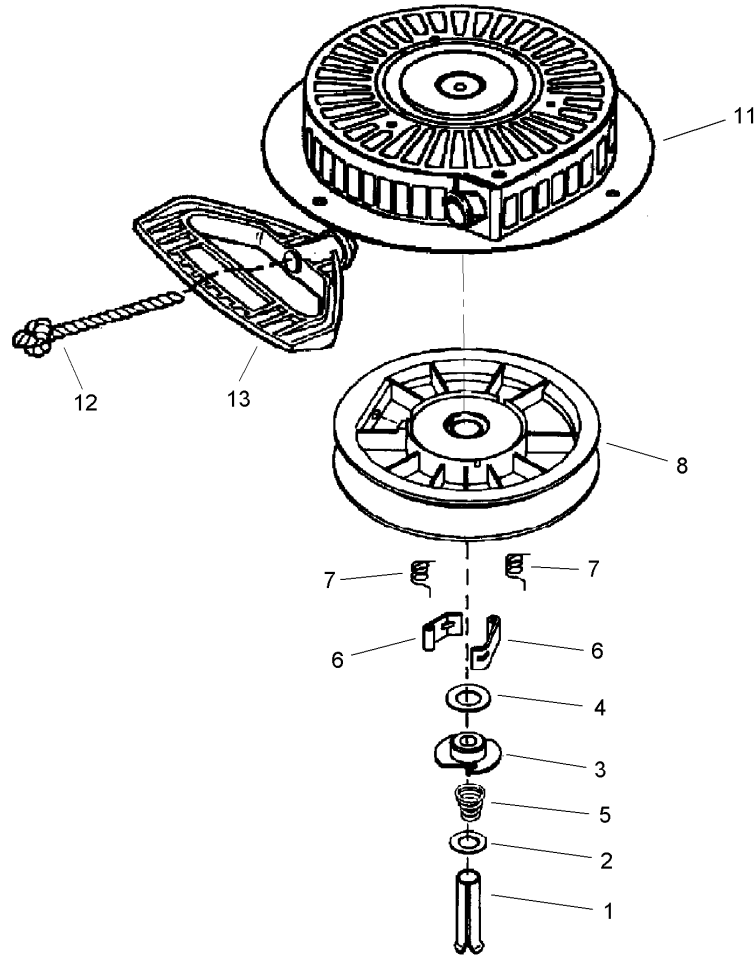
Tecumseh HMSK-80 155672X

| Ref | Part No. | Qty. | Description | Ref | Part No. | Qty. | Description |
|------|----------|------|--|--------|----------|------|--|
| ③1 | 35385 | 1 | Cylinder ASM (Incl. Ref. # 2, 20 And 72) | ③84 | 29193 | 1 | Ring-Retaining |
| ③2 | 27652 | 2 | Pin-Dowel | ③86 | 650833 | 7 | Screw, 1/4-20 X 1-3/16" |
| ③3 | 650820 | 2 | Screw, 1/4-20 X 1/2" | ③87 | 650832 | 1 | Screw, 1/4-20 X 1-11/16" |
| ③14 | 28277 | 1 | Washer | ③89 | 32589 | 1 | Key-Flywheel |
| ③15 | 30699C | 1 | Governor Rod ASM (Incl. Ref. #15a And 15b) | ③90 | 611093 | 1 | Flywheel ASM (W/ring Gear) |
| ③15A | 30700 | 1 | Yoke-Governor | ③92 | 650880 | 1 | Washer-Lock |
| ③15B | 650494 | 1 | Screw, 6-40 X 5/16" | ③93 | 650881 | 1 | Nut-Flywheel |
| ③16 | 33454A | 1 | Lever-Governor | ③100 | 35135A | 1 | Solid State Ignition (Incl. Ref. #101) |
| ③17 | 29916 | 1 | Clamp-Lever, Governor | ③101 | 610118 | 1 | Cover-Spark Plug |
| ③18 | 651028 | 1 | Screw-Torx, T-15 (8-32 X 3/8") | ③102 | 651024 | 2 | Stud-Mounting, Solid State |
| ③19 | 34663 | 1 | Spring-Throttle | ③103 | 651007 | 2 | Screw-Torx, T-15 (10-24 X 15/16") |
| ③20 | 35319 | 1 | Seal-Oil | ③110 | 35187 | 1 | Wire-Ground |
| ③25 | 36460 | 1 | Baffle-Blower Housing | ①③110A | 37047 | 1 | Wire-Ground |
| ③26 | 650561 | 2 | Screw, 1/4-20 X 5/8" | ③④119 | 36448 | 1 | Gasket-Head, Cylinder |
| ③28 | 30322 | 1 | Nut-Lock, 10-32 | ③120 | 36449 | 1 | Cylinder Head ASM |
| ③30 | 35571A | 1 | Crankshaft | ③125 | 27878A | 1 | Exhaust Valve (Std.) (Incl. Ref. # 151) |
| ③35 | 29826 | 1 | Screw, 10-32 X 3/4" | ③125 | 27880A | 0 | Exhaust Valve (1/32" Os) (Incl. Ref. #151) |
| ③36 | 29918 | 1 | Washer-Lock | ③126 | 34035 | 1 | Intake Valve (Std.) (Incl. Ref. #151) |
| ③37 | 29216 | 1 | Nut-Lock, 10-32 | ③127 | 650691 | 2 | Washer |
| ③38 | 29642 | 1 | Ring-Retaining | ③130 | 6021A | 7 | Screw, 5/16-18 X 1-7/16" |
| ③40 | 40011 | 1 | Piston, Pin And Ring Set (Std.) | ③130A | 650727 | 2 | Screw, 5/16-18 X 1-25/32" |
| ③40 | 40012 | 1 | Piston, Pin And Ring Set (.010" Os) | ③130B | 651055 | 2 | Screw, 5/16-18 X 39/64" |
| ③41 | 40009 | 1 | Piston And Pin ASM (Std.) (Incl. Ref. #43) | ③135 | 35395 | 1 | Spark Plug (Rn4c) |
| ③41 | 40010 | 1 | Piston And Pin ASM (.010" Os) (Incl. Ref. #43) | ③139 | 33369 | 1 | Bracket-Gear, Governor |
| ③42 | 40013 | 1 | Ring Set (Std.) | ③140 | 650836 | 2 | Screw, 10-24 X 1/2" |
| ③42 | 40014 | 1 | Ring Set (.010" Os) | ③149 | 27882 | 1 | Cap-Valve Spring |
| ③43 | 27888 | 2 | Ring-Retaining, Piston Pin | ③149A | 35862 | 1 | Cap-Valve Spring |
| ③45 | 36897 | 1 | Connecting Rod ASM (Incl. Ref. # 47 And 49) | ③150 | 27881 | 2 | Spring-Valve |
| ③47 | 651033 | 2 | Bolt-Rod, Connecting | ③151 | 32581 | 2 | Keeper-Spring, Valve |
| ③48 | 34034 | 2 | Lifter-Valve | ③④169 | 27896A | 2 | Gasket-Cover, Valve |
| ③49 | 36896 | 1 | Dipper-Oil | ③170 | 28423 | 1 | Body-Breather |
| ③50 | 35375 | 1 | Camshaft (Mcr) | ③171 | 28424 | 1 | Element-Breather |
| ③60 | 33273A | 1 | Extension-Blower Housing | ③172 | 28425 | 1 | Cover-Valve |
| ③65 | 650128 | 1 | Screw, 10-24 X 1/2" | ③173 | 35350 | 1 | Tube-Breather |
| ③④69 | 37342 | 1 | Gasket-Cover, Cylinder | ③174 | 650128 | 2 | Screw, 10-24 X 1/2" |
| ③70 | 35376A | 1 | Cylinder Cover ASM (Incl. Ref. # 71, 75, 80 Thru 84) | ③178 | 29752 | 2 | Nut And Lockwasher ASM |
| ③71 | 35377 | 1 | Bushing-Crankshaft | ③182 | 30088A | 2 | Screw-Torx, T-30 (1/4-20 X 27/32") |
| ③72 | 27642 | 1 | Plug-Oil Drain | ③183 | 34587A | 1 | Bracket-Choke |
| ③75 | 35319 | 1 | Seal-Oil | ③④184 | 33263 | 1 | Gasket-Carburetor To Intake Pipe |
| ③80 | 37587 | 1 | Shaft-Governor | ③185 | 33877 | 1 | Pipe-Intake |
| ③81 | 651080 | 1 | Washer | ③186 | 34667 | 1 | Link-Governor |
| ③82 | 37588 | 1 | Governor Gear ASM (Incl. Ref. #81) | ③186B | 36652 | 1 | Spring-Choke |
| ③83 | 30588A | 1 | Spool-Governor | ③200 | 34677 | 1 | Control Bracket (Incl. Ref. #19, 203, 204 And 206) |
| | | | | ③203 | 31342 | 1 | Spring-Compression |
| | | | | ③204 | 651029 | 1 | Screw-Torx, 5-40 X 7/16" |
| | | | | ③206 | 610973 | 1 | Terminal |

Engine Assembly No. 2 Tecumseh HMSK-80 155672X

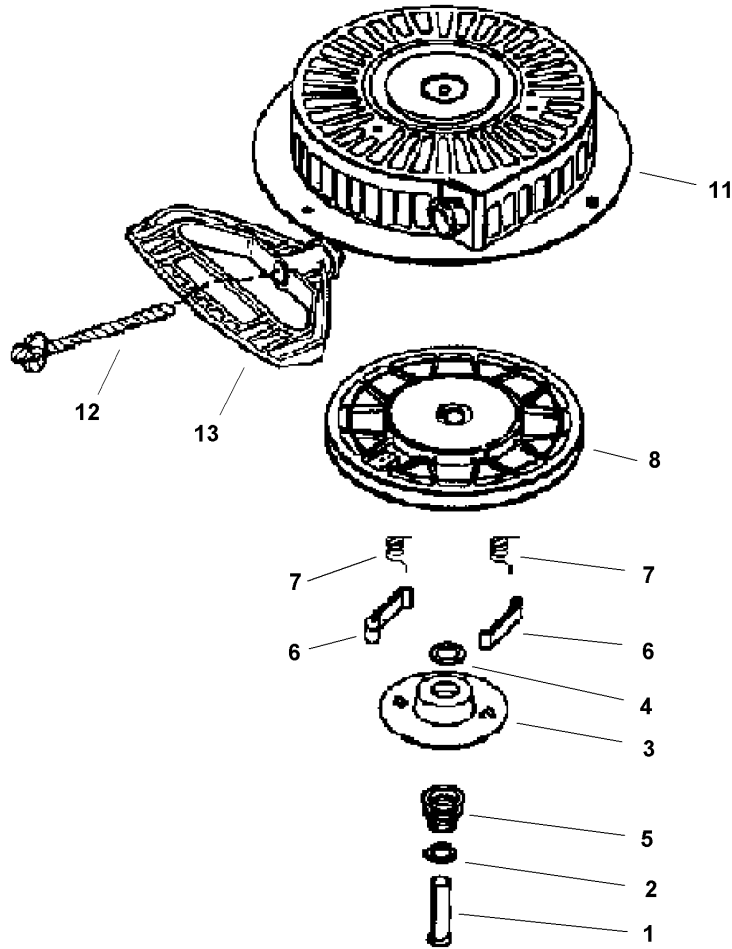
| Ref | Part No. | Qty. | Description |
|-------|----------|------|--|
| ②207 | 33878 | 1 | Link-Throttle |
| ②209 | 650821 | 2 | Screw |
| ②215 | 35440 | 1 | Knob-Control |
| ②219 | 34586 | 1 | Rod-Choke |
| ②220 | 35438 | 1 | Knob-Choke |
| ②222 | 28820 | 2 | Screw, 10-32 X 1/2" |
| ②223 | 650378 | 2 | Screw-Torx, T-30 (5/16-18 X 1-1'8") |
| ④224 | 27915A | 1 | Gasket-Intake Pipe |
| ②260 | 35447A | 1 | Housing-Blower |
| ②261 | 650788 | 2 | Screw, 1/4-20 X 3/4" |
| ②262 | 29747B | 2 | Screw |
| ②264A | 650802 | 1 | Screw-Torx, T-30 (1/4-20 X 1/2") |
| ②265 | 33272D | 1 | Cover-Cylinder Head |
| ②275 | 35056 | 1 | Muffler |
| ②276 | 31588 | 1 | Plate-Locking |
| ②277 | 651002 | 2 | Screw, 5/16-18 X 4-3/16" |
| ②285 | 35985B | 1 | Cup-Starter |
| ②287 | 29752 | 4 | Nut And Lockwasher ASM |
| ②290 | 29774 | 1 | Line-Fuel |
| ②291 | 30962 | 1 | Line-Fuel |
| ②292 | 26460 | 4 | Clamp-Fuel Line |
| ②295 | 35857 | 1 | Fuel Shut-Off Valve ASM (Incl. Ref. #292) |
| ②298 | 650665 | 2 | Screw, 1/4-15 X 3/4" |
| ③300 | 34156A | 1 | Fuel Tank ASM (Incl. Ref. #292 And 301) |
| ③301 | 36246 | 1 | Cap-Fuel |
| ③305 | 35554 | 1 | Tube-Oil Fill |
| ③307 | 35499 | 1 | O-Ring |
| ③308 | 35540 | 1 | Clip-Fill Tube |
| ③310 | 36205 | 1 | Gage Oil ASM |
| ③314 | 650873 | 1 | Screw, 1/4-20 X 3/4" |
| ③315 | 611111 | 1 | Alternator Coil ASM (18 Watt)(Incl. Ref. #322) |
| ③323 | 611118 | 1 | Terminal |
| ③325 | 29443 | 1 | Clip-Wire |
| ③328 | 35062 | 2 | Keys-Ignition |
| ③335 | 36547 | 1 | Cover-Carburetor |
| ③336 | 650765 | 1 | Screw, 10-32 X 1/2" |
| ③338 | 28942 | 2 | Screw, 10-32 X 3/8" |
| ③340 | 34154 | 1 | Bracket-Fuel Tank |
| ③341 | 34155 | 1 | Bracket-Fuel Tank |
| ③342 | 650561 | 1 | Screw, 1/4-20 X 5/8" |
| ③343 | 35079A | 1 | Key Switch Bracket ASM (Incl. Ref. #343a) |
| ③350 | 570682A | 1 | Primer ASM |
| ③351 | 32180C | 1 | Line-Primer |
| ③355 | 590574 | 1 | Handle-Grip, Mitten |
| ③361 | 650990 | 2 | Screw-Torx, T-30 (1/4-20 X 15/32") |

| Ref | Part No. | Qty. | Description |
|-------|----------|------|-------------------------------------|
| ③364 | 33377 | 1 | Bracket-Carburetor |
| ③365 | 650767 | 2 | Screw, 8-32 X 27/64" |
| ③370C | 36501 | 1 | Decal-Primer |
| ③370H | 35077 | 1 | Decal-Instruction |
| ③370I | 37119 | 1 | Decal-Warning |
| ③370K | 36695 | 1 | Decal-Starter |
| ③380 | 640052 | 1 | Carburetor ASM (Incl. Ref. #184) |
| ③390 | 590749 | 1 | Rewind Starter ASM |
| ③396 | 33329E | 1 | 120 Volt Electric Starter Motor ASM |
| ③400 | 36450C | 1 | Gasket Set |
| ③420 | 730226A | 1 | Sae 5w30 4-Cycle Engine Oil (Quart) |
| ①③ | 911302A | 1 | Replacement Engine |
| ③ | 35571A | 1 | Crankshaft |
| ①③ | 756320C | 1 | Shortblock |



Rewind Starter Assembly No. 590749 Tecumseh HMSK-80 155672X

| Ref | Part No. | Qty. | Description | | | | |
|-----|----------|------|---------------------------------------|--|--|--|--|
| 1 | 590599A | 1 | Spring Pin ASM (Incl. Ref. #4) | | | | |
| 2 | 590600 | 1 | Washer | | | | |
| 3 | 590679 | 1 | Retainer | | | | |
| 4 | 590601 | 1 | Washer | | | | |
| 5 | 590678 | 1 | Spring-Brake | | | | |
| 6 | 590680 | 2 | Dog-Starter | | | | |
| 7 | 590412 | 2 | Spring-Dog | | | | |
| 8 | 590682 | 1 | Pulley And Rewind Spring ASM | | | | |
| 11 | 590750A | 1 | Starter Housing ASM | | | | |
| 12 | 590535 | 1 | Rope-Starter (Length 98" X 9/64" Dia) | | | | |
| 13 | 590574 | 1 | Handle-Grip, Mitten | | | | |



Rewind Starter Assembly No. 590733 (Optional) Tecumseh HMSK-80 155672X

| Ref | Part No. | Qty. | Description | | | | |
|-----|----------|------|---------------------------------------|--|--|--|--|
| 1 | 590599A | 1 | Spring Pin ASM (Incl. Ref. #4) | | | | |
| 2 | 590600 | 1 | Washer | | | | |
| 3 | 590696 | 1 | Retainer | | | | |
| 4 | 590601 | 1 | Washer | | | | |
| 5 | 590697 | 1 | Spring-Brake | | | | |
| 6 | 590698 | 2 | Dog-Starter | | | | |
| 7 | 590699 | 2 | Spring-Dog | | | | |
| 8 | 590709 | 1 | Pulley And Rewind Spring ASM | | | | |
| 11 | 590734A | 1 | Starter Housing ASM | | | | |
| 12 | 590535 | 1 | Rope-Starter (Length 98" X 9/64" Dia) | | | | |
| 13 | 590574 | 1 | Handle-Grip, Mitten | | | | |

NOTES

NOTES

NOTES

