



Count on it.

Parts Catalog

**Titan® MYRide® 54in Zero Turn
Riding Mower**

Model No. 76511—Serial No. 418311640 and Up



Ordering Replacement Parts

To order replacement parts, please supply the part number, the quantity, and the description of each part desired.

Understanding Reference Numbers

Each identified part in an illustration has a reference number. The reference number for a part also appears in the parts list, along with other information about the part.

This catalog uses two special reference number formats, one to indicate parts in a service assembly and another to indicate the quantity of a given part in an illustration.

Service Assembly Reference Numbers

Parts in service assemblies have reference numbers in the form a:b. The a represents the reference number of the entire service assembly and the b represents a sequential number unique to each part within the service assembly.

For example, a wheel assembly might be identified by reference number 6, the tire by 6:1, the valve by 6:2, and the wheel by 6:3. When you order the assembly identified by reference number 6, you receive all parts identified by reference numbers 6:1, 6:2, and 6:3. However, you may also order any part individually. Reference numbers of this type appear in illustration and in parts lists.

Reference Numbers Indicating Quantity

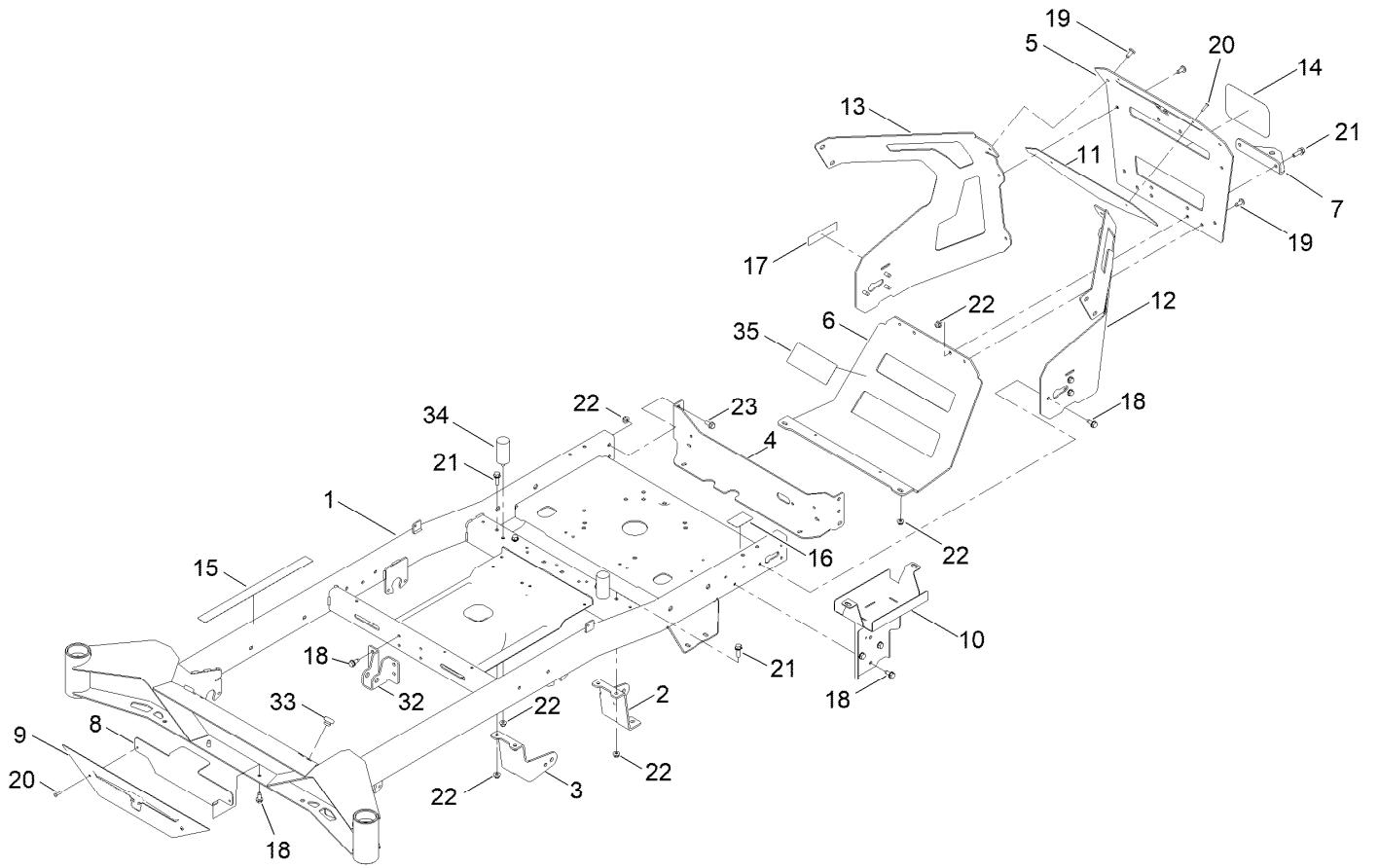
In an illustration, if a reference number indicates more than one part, the reference number has the form nX y. The n represents the quantity of the part, the X is the multiplication symbol, and the y represents the reference number.

For example, in an illustration, the reference number 2X 37 means that two of the parts identified by reference number 37 are indicated.

Contents

Frame Assembly.....	4
Decklift Assembly.....	6
Caster Fork and Wheel Assembly.....	8
Hydraulic Drive Assembly.....	10
LH Hydro Transmission Assembly No. 147-2860.....	12
RH Hydro Transmission Assembly No. 147-2861.....	14
Parking Brake Assembly.....	16
Rear Wheel Assembly.....	18
Motion Control Assembly.....	20
Engine and Muffler Assembly.....	22
Fuel Pod Assembly.....	24
Electrical Assembly.....	26
54 Inch Deck Assembly.....	28
Deck Decal Assembly No. 147-8750.....	30
Seat Pan Assembly.....	32
Clutch Assembly.....	34
Attachments and Accessories.....	36

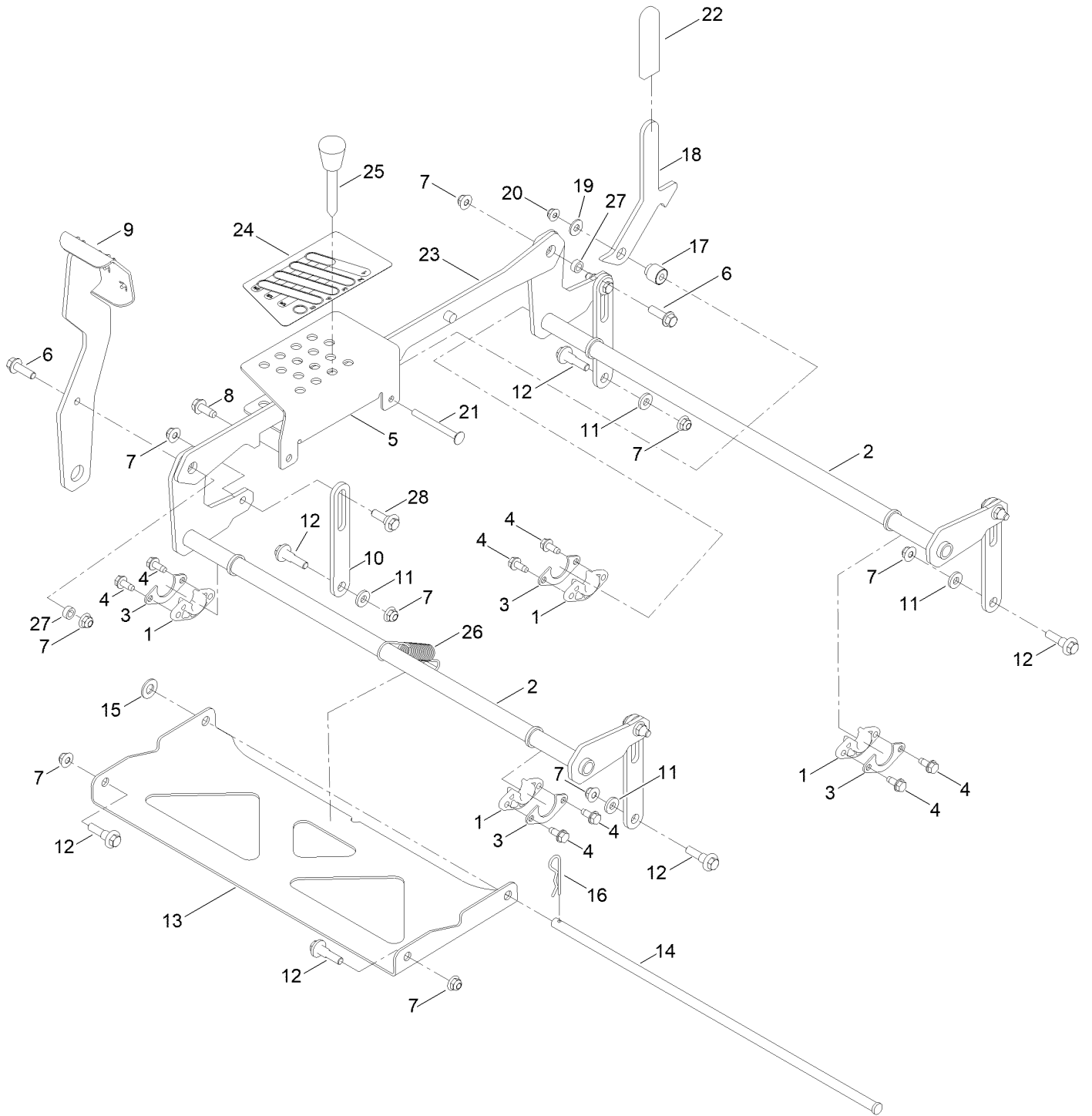
Frame Assembly



Frame Assembly (continued)

<i>Ref.</i>	<i>Part Number</i>	<i>Qty.</i>	<i>Description</i>	<i>Ref.</i>	<i>Part Number</i>	<i>Qty.</i>	<i>Description</i>
1	161-6608	1	Service ASM-Frame, Titan	15	144-5288	1	Decal-Warning
2	161-6506-01	1	Mount-Drive, LH	16	161-6207	1	Decal-Bypass
3	161-6507-01	1	Mount-Drive, RH	17	142-5864	1	Decal-Spark Arrester
4	163-3137-03	1	Plate-Mount, Rear	18	32144-70	15	Screw-HWHTF
5	147-2998-03	1	Guard-Engine	19	138-9753	8	Screw
6	163-6003-03	1	Guard-Muffler	20	130-8451	4	Rivet-Trifold
7	117-1232-03	1	Bracket-Hitch	21	139-2596	6	Screw-HHF
8	147-2878-01	1	Plate-Backer	22	119-4041	14	Nut-HF
9	147-2879-03	1	Logo-Plate-Front	23	139-2598	4	Screw-HHF
10	145-6283-01	1	Wa-Battery Mount	32	145-6323-01	1	Bracket-Mount Damper, Lower
11	147-2999-01	1	Plate-Backer	33	140-3460	2	Bumper-Rubber
12	147-2996-01	1	Guard-Engine LH	34	145-6310	2	Bumper-Rubber
13	147-2997-01	1	Guard-Engine-RH	35	161-6260	1	Tape-Heat
14	99-4693	1	Decal				

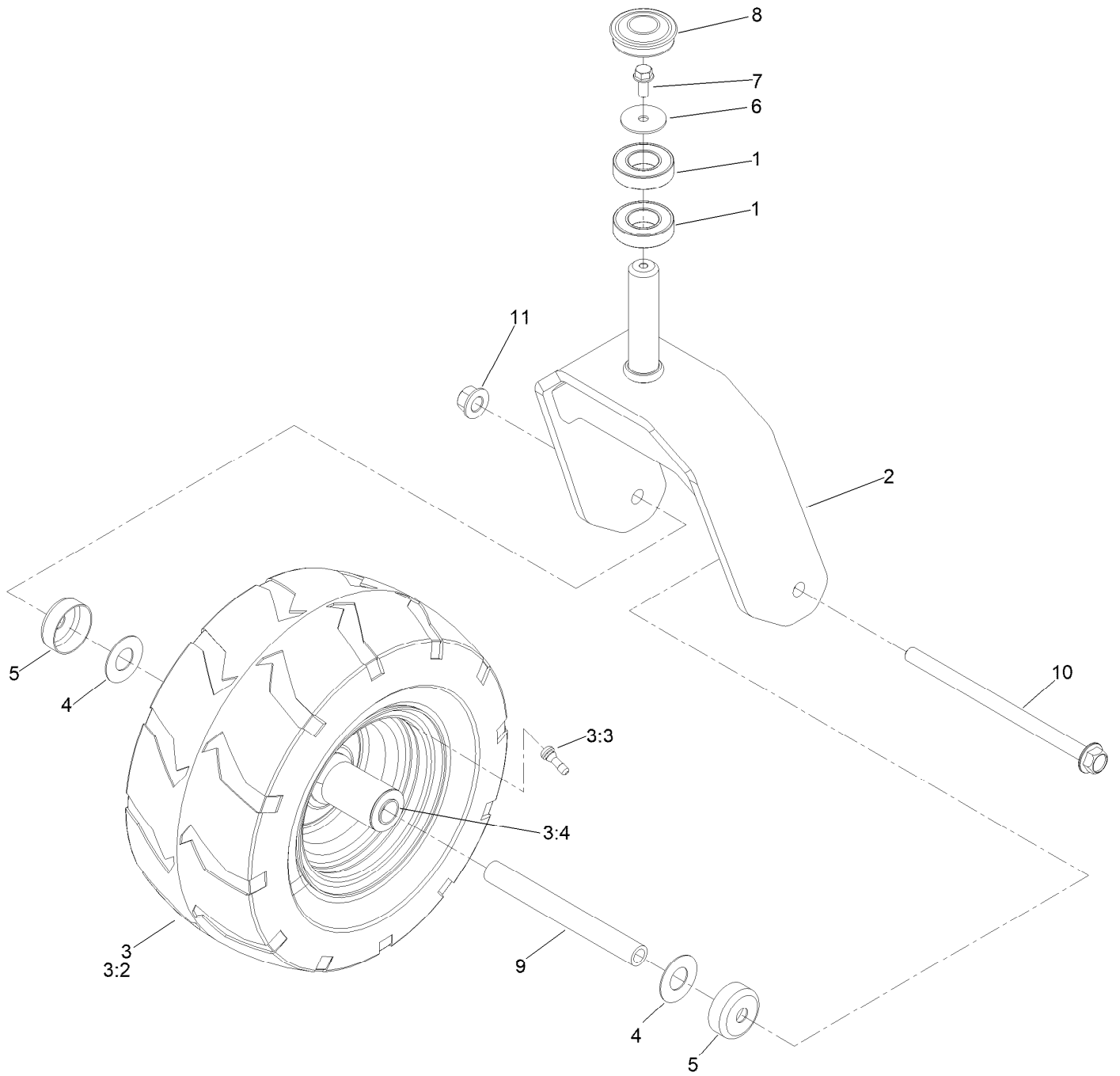
Decklift Assembly



Decklift Assembly (continued)

<i>Ref.</i>	<i>Part Number</i>	<i>Qty.</i>	<i>Description</i>	<i>Ref.</i>	<i>Part Number</i>	<i>Qty.</i>	<i>Description</i>
1	139-5872	4	Bearing-Flange	15	139-2611	1	Washer-Flat
2	161-4632-01	2	Pivot ASM-Decklift [red]	16	139-2562	1	Pin-Hair
3	138-7204	4	Gusset-Deck Lift	17	145-6282	1	Spacer-Stepped
4	32144-70	8	Screw-HWHTF	18	145-6279	1	Plate-Transport Lock
5	145-6260-01	1	Bracket-HOC	19	137-3082	1	Washer-Plain
6	119-4061	2	Screw-HHF	20	119-4041	1	Nut-HF
7	119-4042	12	Nut-HF, NI	21	138-0741	1	Screw-CARR
8	139-2428	1	Screw-HWH	22	140-0413	1	Grip-Handle
9	145-6278-01	1	Pedal ASM [red]	23	145-6262-01	1	Link ASM-HOC [red]
10	161-4635-01	4	Link-HOC	24	147-2867	1	Decal-HOC, Titan
11	138-7207	4	Spacer-Hub, Blower	25	140-2146	1	HOC Pin ASM
12	130-0742	6	Bolt-Shoulder	26	138-7206	1	Spring-Extension
13	145-6248-03	1	Pan-Deck Pivot	27	140-2093	2	Spacer
14	145-6288	1	Pin-Deck	28	614672	4	Screw-Shoulder, HWH

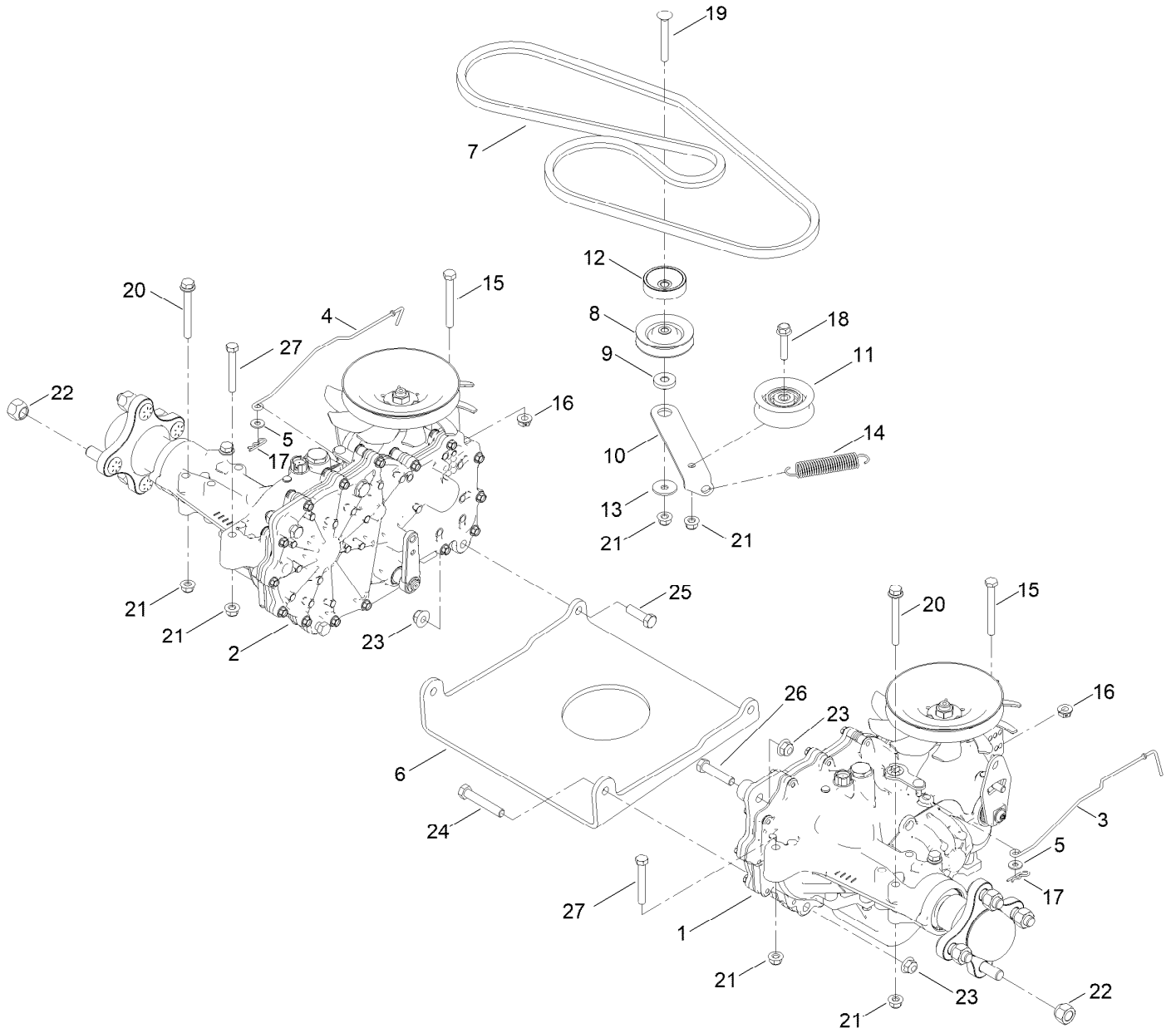
Caster Fork and Wheel Assembly



Caster Fork and Wheel Assembly (continued)

<i>Ref.</i>	<i>Part Number</i>	<i>Qty.</i>	<i>Description</i>	<i>Ref.</i>	<i>Part Number</i>	<i>Qty.</i>	<i>Description</i>
1	109-3678	4	Bearing-Ball	5	138-7208	4	Guard-Seal
2	145-6375-01	2	Castor Fork [red]	6	115-1151	2	Washer-Flat
3	147-7647	2	Tire And Wheel ASM	7	100-1668	2	Screw-HHF
3:2	147-7648	1	Tire 13X6.5-6, Treaded	8	144-0375	2	Cap, Grease
3:3	232-27	1	Stem-Valve	9	133-4487	2	Spanner-Wheel
3:4	147-7652	2	Bearing	10	139-2559	2	Screw-HHF
4	136-5590	4	Washer	11	139-1689	2	Nut-HF

Hydraulic Drive Assembly



Hydraulic Drive Assembly (continued)

<i>Ref.</i>	<i>Part Number</i>	<i>Qty.</i>	<i>Description</i>	<i>Ref.</i>	<i>Part Number</i>	<i>Qty.</i>	<i>Description</i>
1	147-2860	1	LH Hydro Transmission ASM	14	137-7040	1	Spring-Return, Pedal
2	147-2861	1	RH Hydro Transmission ASM	15	145-6388	2	Screw-HH Spcl
3	147-2987	1	Rod-Bypass, LH	16	139-2574	2	Nut-HF
4	147-2986	1	Rod-Bypass, RH	17	3290-307	2	Pin-Cotter
5	119-8952	2	Washer-Spcl	18	115-1794	1	Screw-HHF
6	145-6383-03	1	Plate-Hydro	19	3230-8	1	Screw-CARR
7	145-6363	1	V-Belt (A Sec 66.30 EI)	20	138-7590	4	Screw-HHF
8	68-0030	1	Idler	21	104-8300	8	Nut-HF, NI
9	138-7277	1	Spacer-Arm, Idler	22	139-2564	8	Nut-Lug
10	147-2925	1	Arm-Idler	23	104-8301	6	Nut-HF, NI
11	138-7597	1	Pulley-Idler, Flat	24	323-11	2	Screw-HH
12	138-9809	1	Spacer	25	323-7	2	Screw-HH
13	5-4460	1	Washer-Pivot	26	323-9	2	Screw-HH
				27	322-11	2	Screw-HH

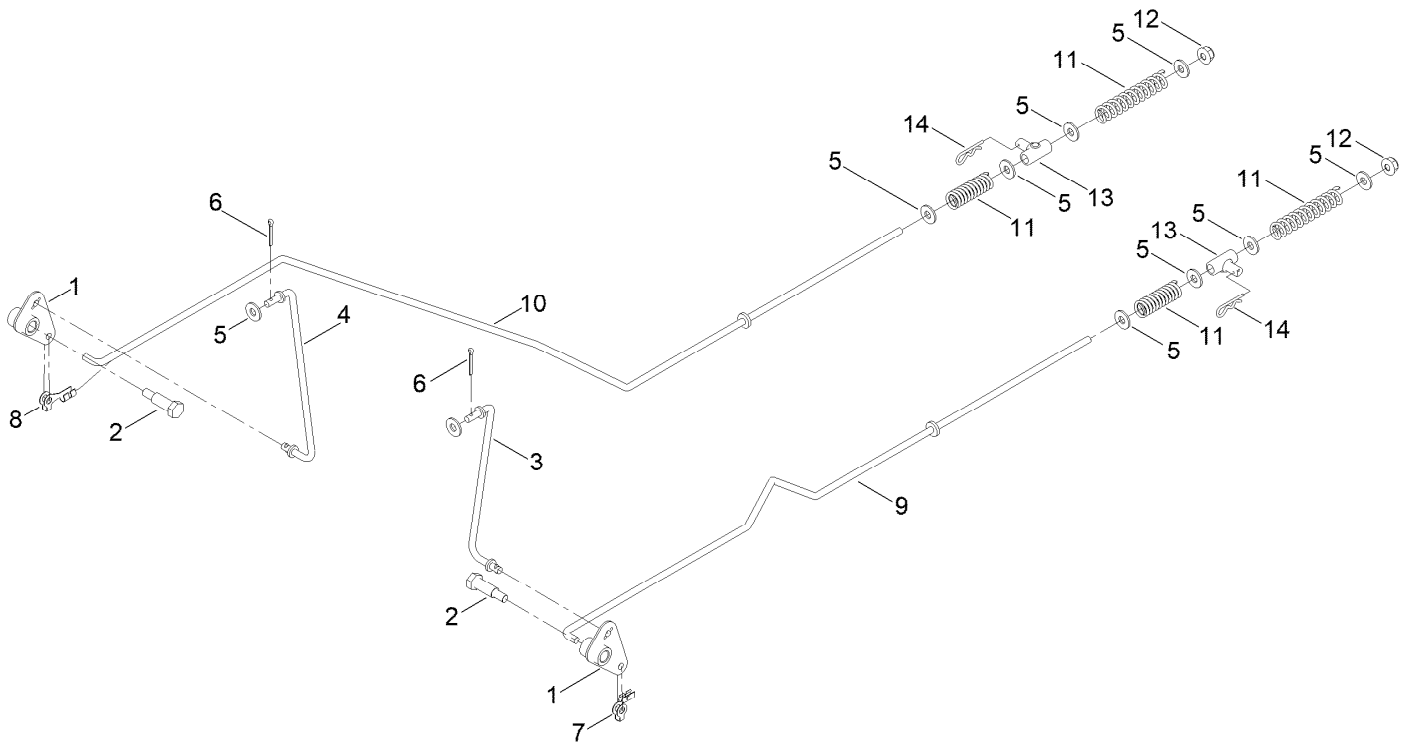
LH Hydro Transmission Assembly No. 147-2860 (continued)

<i>Ref.</i>	<i>Part Number</i>	<i>Qty.</i>	<i>Description</i>	<i>Ref.</i>	<i>Part Number</i>	<i>Qty.</i>	<i>Description</i>
1	140-8345	1	RH Main Housing Kit	83	104-5329	1	Pin-Jackshaft
2	140-8349	1	RH Side Cover Kit	90	104-2169	1	Ring-Retaining
7	117-5359	16	Screw-HHF	91	114-1694	1	Gear-54T
11	135-1140	1	Plug-Straight	92	120-7975	1	Spacer
23	109-3321	1	Element-Oil Filter, HYD	93	135-1361	1	Bearing-Ball
30	139-7497	1	Seal-Lip	95	130-8477	1	Bearing-Ball
31	106-8677	1	Ring-Retaining, External	96	104-2144	1	Seal
32	114-1685	1	Rod-Bypass	97	109-5939	1	Hub Kit
33	106-8679	1	Ring-Retaining, Internal	102	125-0021	1	Handle-Brake
34	112-9852	1	Arm-Bypass	103	131-0906	1	Ring-Retaining, EXT
35	106-8681	1	Ring-Retaining, External	106	139-7499	1	Filter Guard Kit
40	104-5304	1	Swashplate-Trunnion	130	126-3251	2	Tube-Charge
41	104-5313	1	Seal-Lip	156	115-5057	1	Cover-Nut, Axle
42	104-2116	1	Stud	157	126-1930	1	Gerotor Seal Kit
43	112-9853	1	Puck-Friction	164	121-5745	1	Spacer
55	104-5308	1	Spacer	193	140-8343	1	Plug
56	104-5310	1	Seal-Lip	194	140-8356	1	Breather Fitting ASM
57	104-5309	1	Ring-Retaining	195	140-8357	1	RH Internal Expansion Tank ASM
60	112-4154	1	Bearing-Thrust	200	140-8351	1	Seal Kit
64	139-4074	1	Cylinder Block ASM Kit	201	147-2906	1	Kit, Center Section, LH Charge
65	94-6922	1	Bearing-Thrust	202	114-8464	1	Charge Relief Kit
69	110-8561	1	Pump Block ASM	203	114-8465	1	Charge Kit
70	104-5339	1	Washer-Flat	207	135-7343	1	Fan And Pulley Kit
71	104-5340	1	Ring-Retaining	209	114-8467	1	Puller-Hub, 4 Bolt
72	114-1690	1	Gear-14T	210	139-7502	1	Input Shaft Kit
73	114-1691	1	Shaft-Motor	211	117-5362	1	Control Arm Kit
74	104-5360	1	Washer	212	114-8470	1	Axle Shaft Kit
80	94-1933	2	Washer	215	140-8352	1	Inboard Kit
81	114-1692	1	Gear-45T				
82	114-1693	1	Gear-11T				

RH Hydro Transmission Assembly No. 147-2861 (continued)

<i>Ref.</i>	<i>Part Number</i>	<i>Qty.</i>	<i>Description</i>	<i>Ref.</i>	<i>Part Number</i>	<i>Qty.</i>	<i>Description</i>
1	140-8347	1	LH Main Housing Kit	83	104-5329	1	Pin-Jackshaft
2	140-8350	1	LH Side Cover Kit	90	104-2169	1	Ring-Retaining
7	117-5359	16	Screw-HHF	91	114-1694	1	Gear-54T
11	135-1140	1	Plug-Straight	92	120-7975	1	Spacer
23	109-3321	1	Element-Oil Filter, HYD	93	135-1361	1	Bearing-Ball
30	139-7497	1	Seal-Lip	95	130-8477	1	Bearing-Ball
31	106-8677	1	Ring-Retaining, External	96	104-2144	1	Seal
32	114-1685	1	Rod-Bypass	97	109-5939	1	Hub Kit
33	106-8679	1	Ring-Retaining, Internal	102	125-0021	1	Handle-Brake
34	107-2490	1	Arm-Bypass	103	131-0906	1	Ring-Retaining, EXT
35	106-8681	1	Ring-Retaining, External	106	139-7498	1	Filter Guard Kit
40	104-5304	1	Swashplate-Trunnion	130	126-3251	2	Tube-Charge
41	104-5313	1	Seal-Lip	156	115-5057	1	Cover-Nut, Axle
42	104-2116	1	Stud	157	126-1930	1	Gerotor Seal Kit
43	112-9853	1	Puck-Friction	164	121-5745	1	Spacer
55	104-5308	1	Spacer	193	140-8343	1	Plug
56	104-5310	1	Seal-Lip	194	140-8356	1	Breather Fitting ASM
57	104-5309	1	Ring-Retaining	195	140-8358	1	LH Internal Expansion Tank ASM
60	112-4154	1	Bearing-Thrust	200	140-8351	1	Seal Kit
64	139-4074	1	Cylinder Block ASM Kit	201	147-2907	1	Kit, Center Section, RH Charge
65	94-6922	1	Bearing-Thrust	202	114-8464	1	Charge Relief Kit
69	110-8561	1	Pump Block ASM	203	114-8465	1	Charge Kit
70	104-5339	1	Washer-Flat	207	135-7343	1	Fan And Pulley Kit
71	104-5340	1	Ring-Retaining	209	114-8467	1	Puller-Hub, 4 Bolt
72	114-1690	1	Gear-14T	210	139-7502	1	Input Shaft Kit
73	114-1691	1	Shaft-Motor	211	117-5362	1	Control Arm Kit
74	104-5360	1	Washer	212	114-8470	1	Axle Shaft Kit
80	94-1933	2	Washer	215	140-8353	1	Inboard Kit
81	114-1692	1	Gear-45T				
82	114-1693	1	Gear-11T				

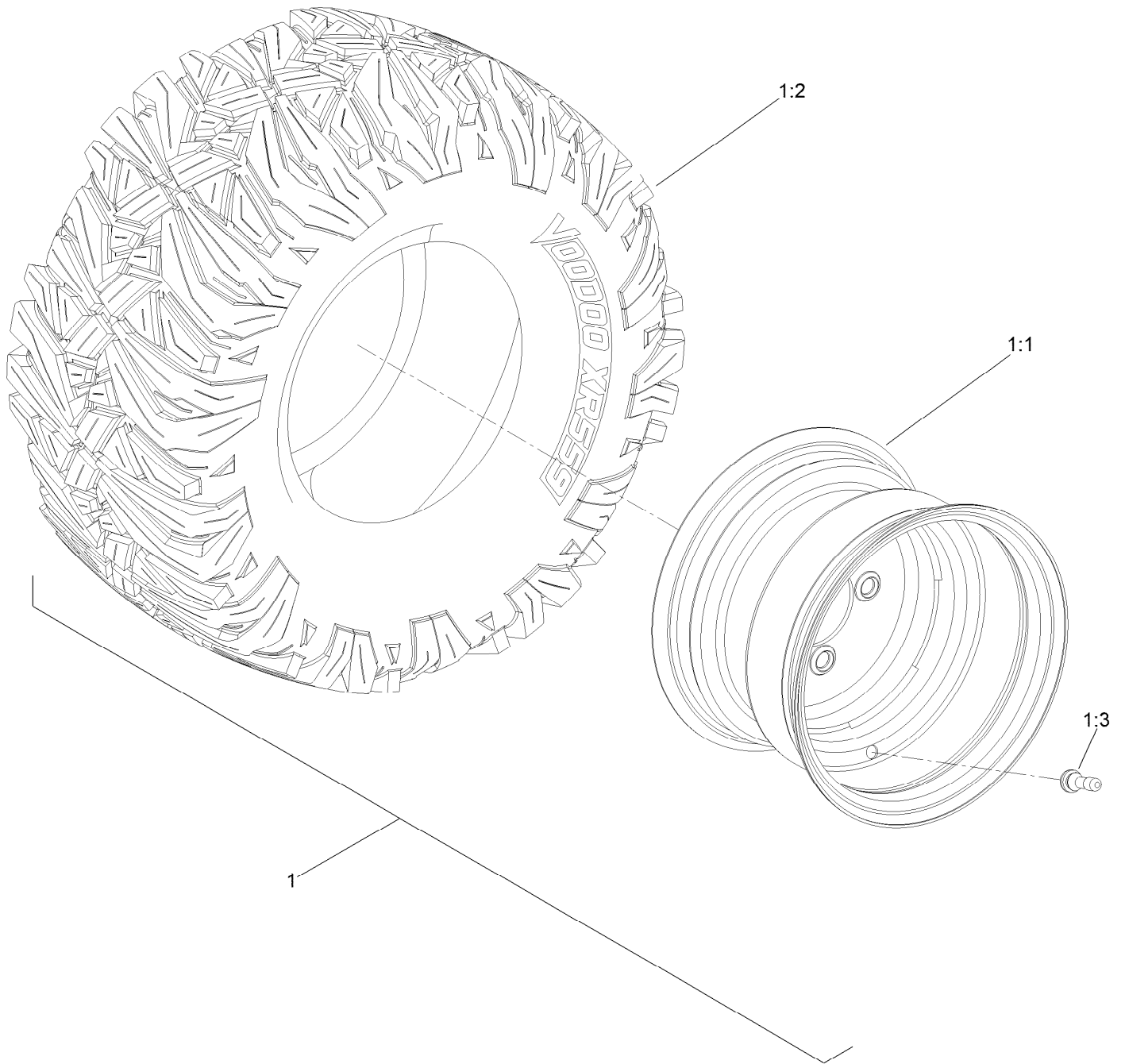
Parking Brake Assembly



Parking Brake Assembly (continued)

<i>Ref.</i>	<i>Part Number</i>	<i>Qty.</i>	<i>Description</i>	<i>Ref.</i>	<i>Part Number</i>	<i>Qty.</i>	<i>Description</i>
1	161-6420	2	Bellcrank	8	144-1815	1	Clip-Rod, RH (7R, 1/4In)
2	145-6364	2	Bolt-Shoulder	9	145-0408	1	Rod-Brake LH
3	145-4607	1	Link-Brake, LH	10	145-0407	1	Rod-Brake, RH
4	145-6238	1	Link-Brake, RH	11	138-7252	4	Spring-Compression
5	119-8952	10	Washer-Spcl	12	119-4040	2	Nut-HF, NI
6	120-9716	2	Pin-Cotter	13	119-8857	2	Mount-Pivot
7	144-1816	1	Clip-Rod, LH (7L, 1/4In)	14	137-3083	2	Pin-Hair

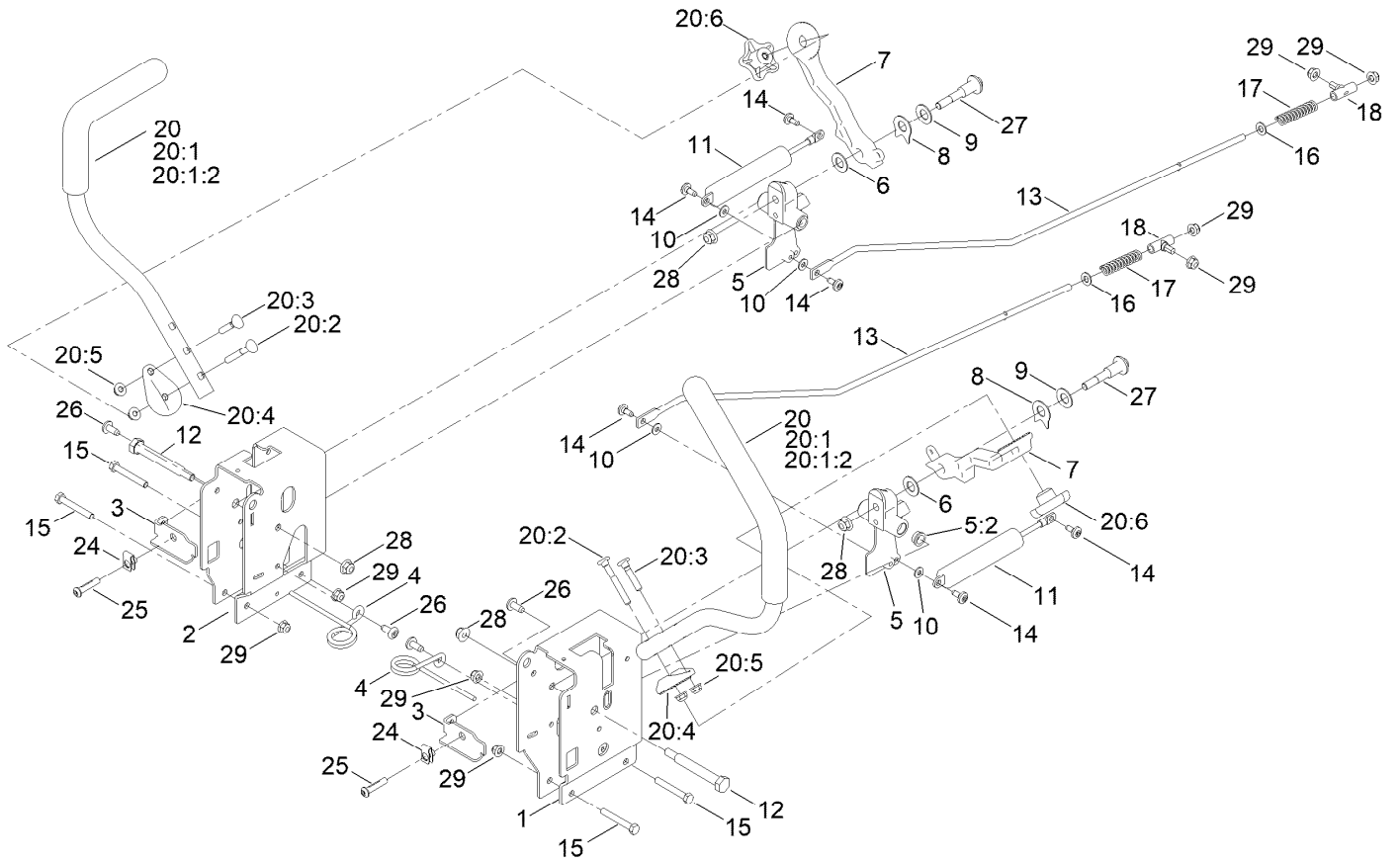
Rear Wheel Assembly



Rear Wheel Assembly (continued)

<i>Ref.</i>	<i>Part Number</i>	<i>Qty.</i>	<i>Description</i>	<i>Ref.</i>	<i>Part Number</i>	<i>Qty.</i>	<i>Description</i>
1	145-6393	2	Tire ASM-22X11-10 Nos2.4	1:2	147-5177	1	Tire
1:1	147-5178	1	Rim	1:3	232-27	1	Stem-Valve

Motion Control Assembly

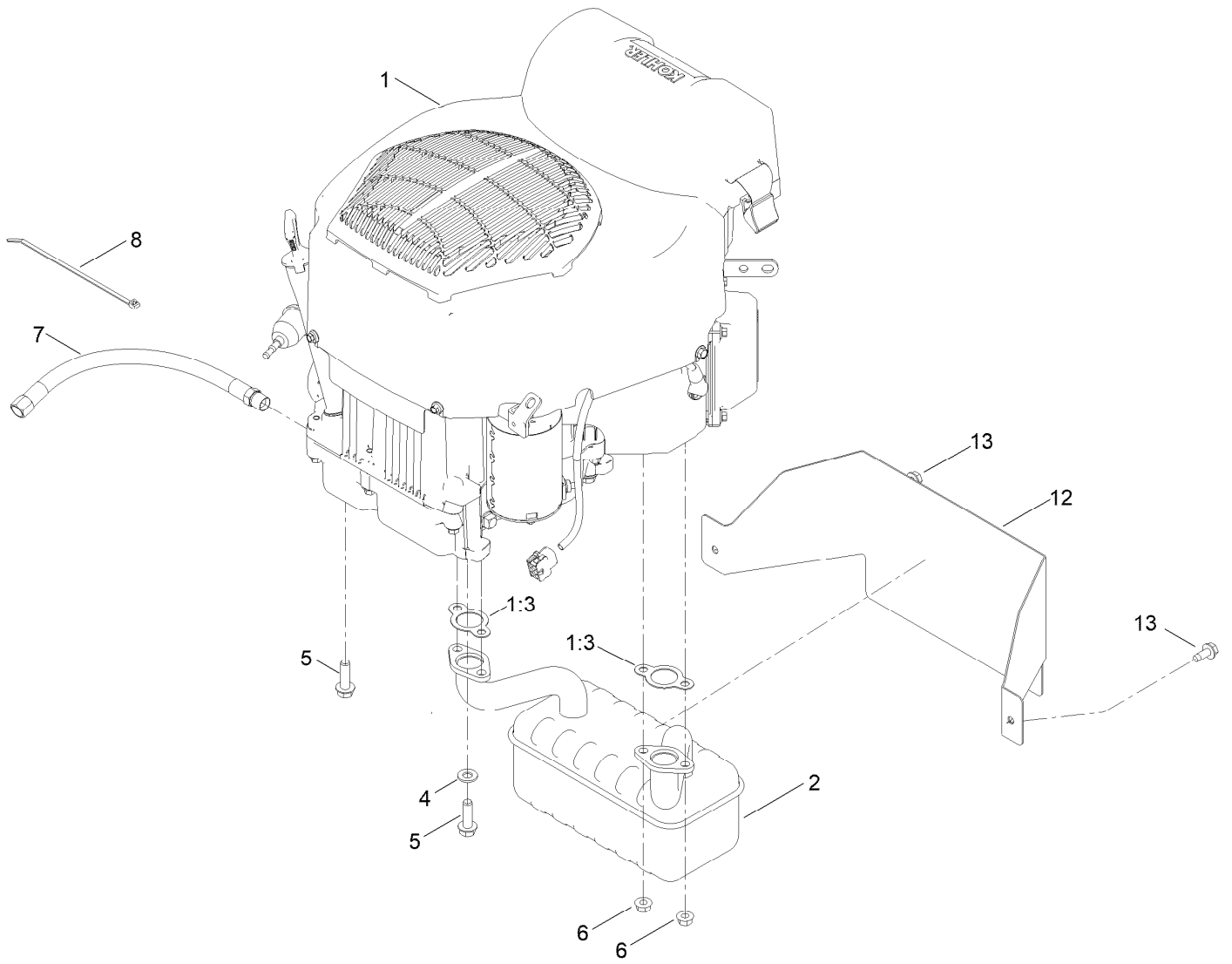


Motion Control Assembly (continued)

<i>Ref.</i>	<i>Part Number</i>	<i>Qty.</i>	<i>Description</i>	<i>Ref.</i>	<i>Part Number</i>	<i>Qty.</i>	<i>Description</i>
1	145-4615-03	1	Control Box - LH G7	17	138-7252	2	Spring-Compression
2	145-4647-03	1	Control Box - RH G7	18	138-7218	2	Mount-Rod, Hydro
3	147-7580-03	2	Adjustment Plate-Control Box	20	161-6523	2	Handle-Control, ASM
4	145-6253	2	Spring-Torsion	20:1		1	Handle-Control, ●
5	145-4648	2	Pivot Arm ASM	20:1:2	147-3029	1	Grip
5:2	256-156	2	Bushing-Flange	20:2	145-6366	1	Screw-Handle
6	120-2273	2	Washer-Nylon	20:3	137-3008	1	Screw-Handle
7	147-5191-05	2	Arm-Control, 32 Teeth	20:4	147-5192-05	1	Disc-Adjustment Handle, 32 Teeth
8	142-8478	2	Spacer, Anti-Rotation	20:5	138-8401	2	Nut-HF
9	119-8925	2	Washer-Belleville	20:6	117-5976	1	Knob-Handle
10	119-8952	4	Washer-Spcl	24	112-3306	2	Nut
11	161-6514	2	Damper - Non Cavitating	25	126-4299	2	Screw-HSBH
12	115-5099	2	Bolt-Pivot	26	138-9753	4	Screw
13	161-9725	2	Rod-Hydro	27	117-1198	2	Bolt-Pivot
14	120-7950	6	Screw-Torx	28	104-8301	4	Nut-HF, NI
15	322-11	4	Screw-HH	29	104-8300	8	Nut-HF, NI
16	120-9683	2	Washer-Plain				

● Not serviced separately

Engine and Muffler Assembly



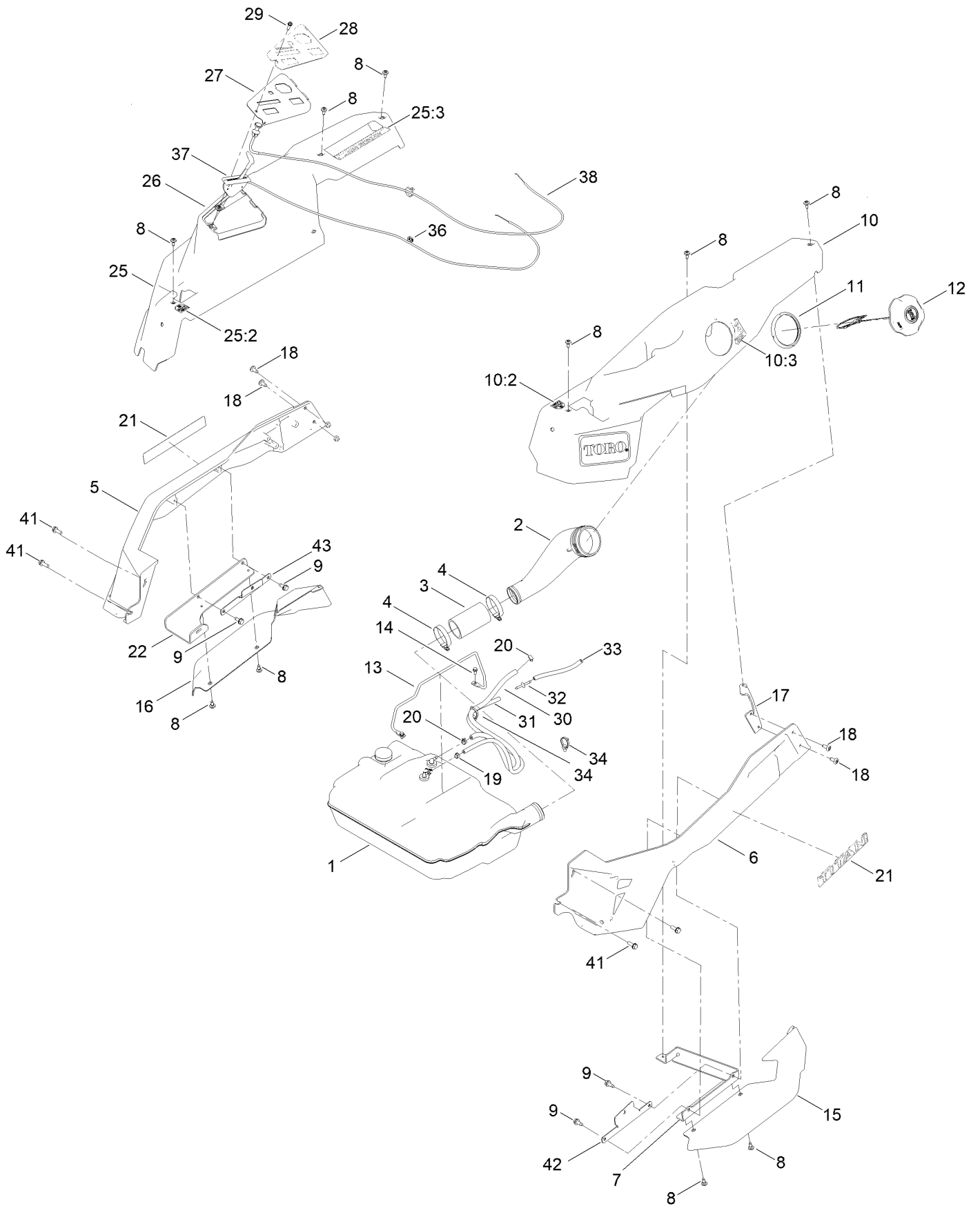
Engine and Muffler Assembly (continued)

<i>Ref.</i>	<i>Part Number</i>	<i>Qty.</i>	<i>Description</i>	<i>Ref.</i>	<i>Part Number</i>	<i>Qty.</i>	<i>Description</i>
1		1	Engine-Kohler, Kt726-3015 ■▲	5	32144-109	4	Screw-Thd
1:3	110-6697	1	Gasket-Exhaust	6	33004-00	4	Nut-HF
1:4	281-1	1	Plug-Pipe, Sq HD ●	7	117-1261	1	Hose-Drain, Oil
2	147-7707	1	Muffler	8	614249	1	Tie-Cable
4	3256-24	3	Washer-Plain	12	161-6221-03	1	Heat Shield-Muffler
				13	32144-70	2	Screw-HWHTF

● Not illustrated
▲ Obtain parts from www.kohlerplus.com

■ Not serviced separately

Fuel Pod Assembly

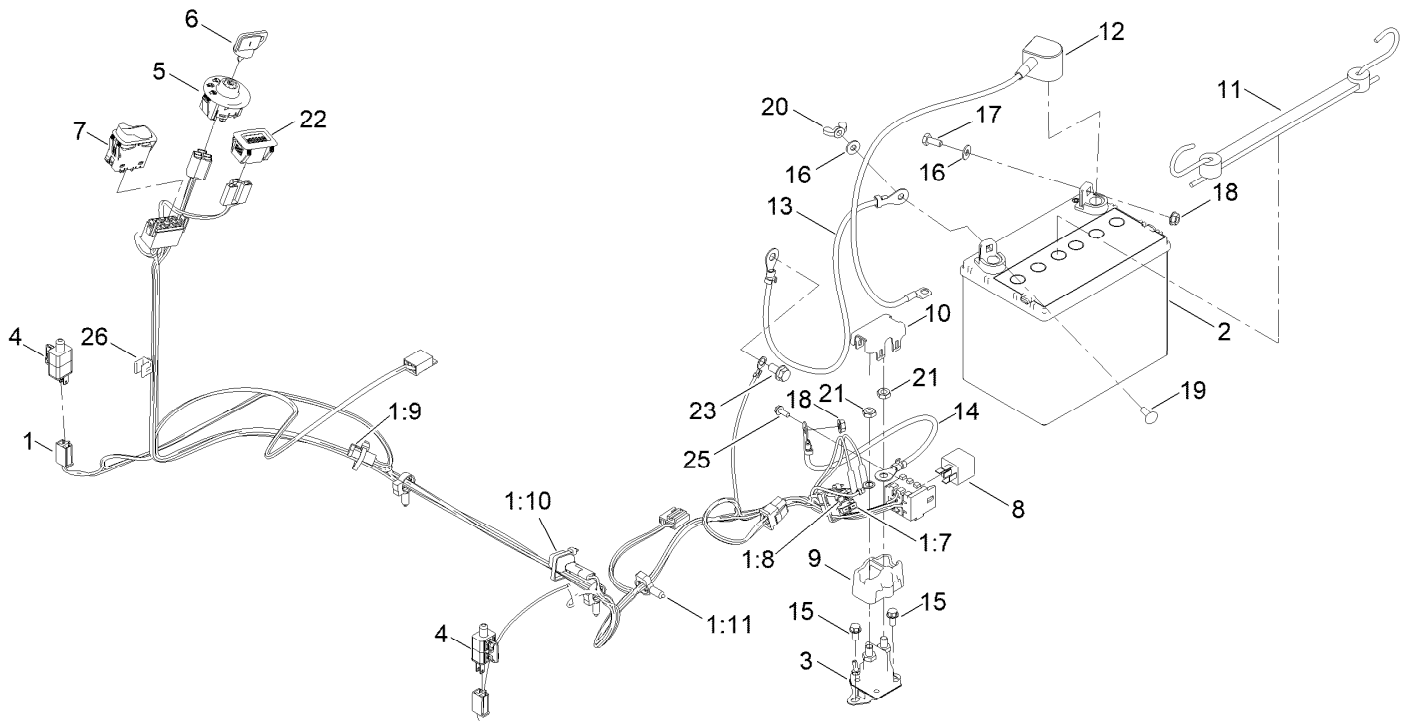


Fuel Pod Assembly (continued)

<i>Ref.</i>	<i>Part Number</i>	<i>Qty.</i>	<i>Description</i>	<i>Ref.</i>	<i>Part Number</i>	<i>Qty.</i>	<i>Description</i>
1	147-5288	1	Tank ASM - Fuel	21	147-7566	2	Decal-Titan
2	147-7657	1	Neck-Filler, Fuel	22	147-5173-03	1	Bracket-Mr Spring
3	145-4698	1	Hose-Filler, Fuel	25	147-8744	1	Pod ASM - RH , Mr W/Decals
4	2412-130	2	Clamp-Hose	25:2	139-2394	1	Decal-Control Lever, RH
5	147-2973-01	1	Cast-Tube, RH [red]	25:3	147-7574	1	Decal - Myride ●
6	147-2972-01	1	Cast-Tube, LH [red]	26	107069	1	Clip
7	147-2974-03	1	Mount-Pod Bracket LH	27	147-2990-03	1	Panel-Control
8	120-7950	10	Screw-Torx	28	147-7571	1	Decal - Control Panel
9	32144-70	4	Screw-HWHTF	29	49-2040	1	Screw-HWHTF
10	147-8741	1	Pod ASM - LH W/Decals	30	109-0284	1	Hose-Fuel
10:2	139-2395	1	Decal-Control Lever, LH	31	140-4956	1	Hose-Fuel
10:3	147-2399	1	Decal-Fuel Fill	32	144-1983	1	Adapter Orifice
11	147-7712	1	Ring-Retaining	33	136-1437	1	Hose-Fuel
12	137-4119	1	Cap-Fuel, Ratcheting	34	32180-030	2	Clip-Tie
13	147-5176	1	Rod-Hold Down	36	32180-418	1	Clip-Harness
14	32144-4	2	Screw-HWH	37	147-7696	1	Cable-Throttle
15	147-2978	1	Fender-Time Cutter, LH	38	161-6626	1	Cable-Choke
16	147-2979	1	Fender-Time Cutter, RH	41	32144-41	4	Screw-Taptite
17	147-2976-03	1	Bracket-Rear Pod, LH	42	161-4609-03	1	Bracket-Alignment, Pod LH
18	138-9753	4	Screw	43	161-4611-03	1	Bracket- Alignment, Pod RH Mr
19	2412-80	1	Clamp-Hose				
20	2412-98	2	Clamp-Hose				

● Not illustrated

Electrical Assembly



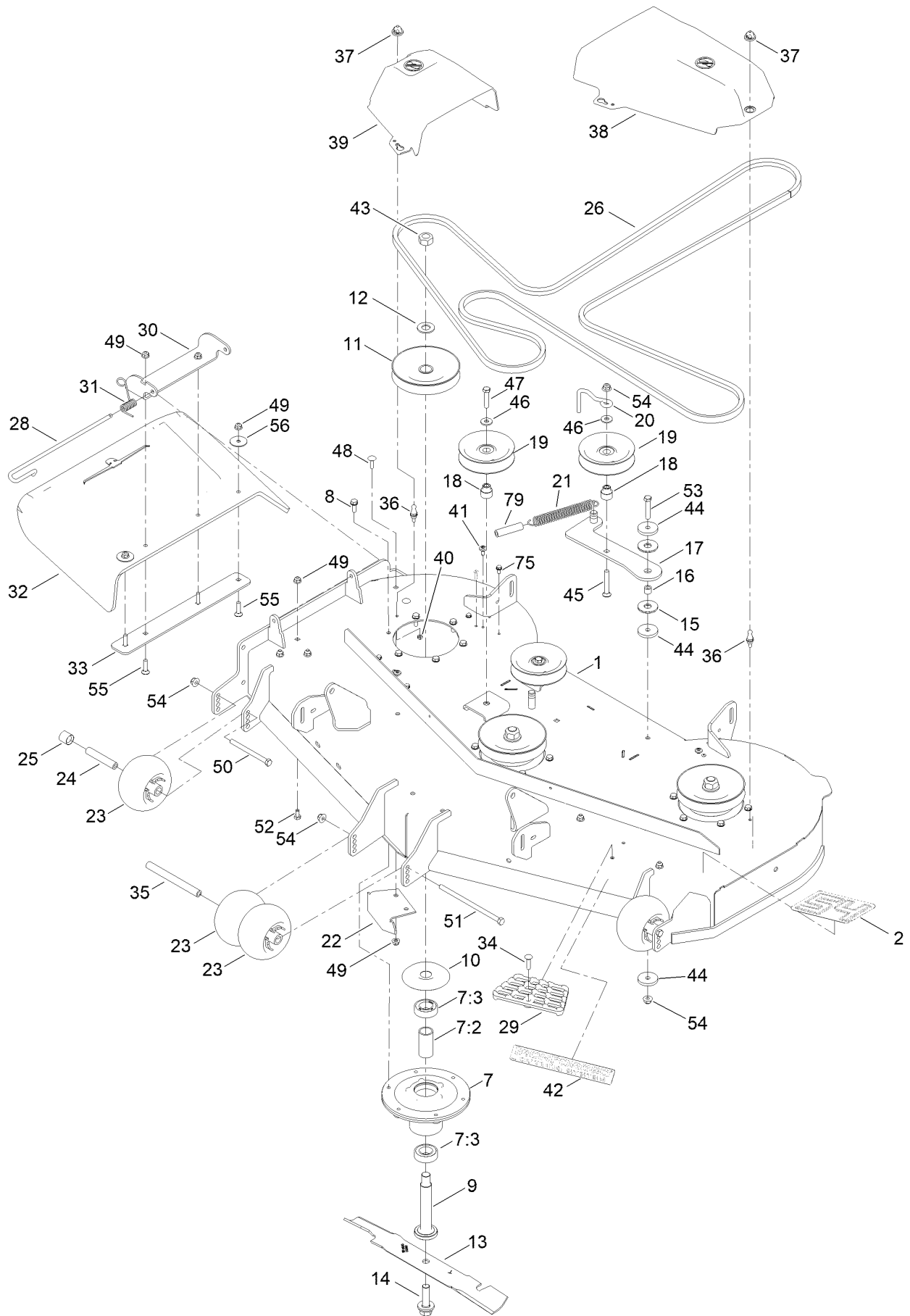
Electrical Assembly (continued)

<i>Ref.</i>	<i>Part Number</i>	<i>Qty.</i>	<i>Description</i>	<i>Ref.</i>	<i>Part Number</i>	<i>Qty.</i>	<i>Description</i>
1	145-6382	1	Harness-Wire, Main	11	104-2466	1	Holddown-Battery
1:7	109355	1	Fuse-Blade, 15 Amp	12	147-2941	1	Cable-Battery,Red
1:8	109102	1	Fuse-Blade, 25 Amp	13	119-8899	1	Cable-Battery, Black
1:9	32160-029	1	Connector-Molded, 1F,1M	14	121-0711	1	Cable-Battery, Positive
1:10	100-4918	1	Diode	15	32144-4	2	Screw-HWH
1:11	32180-047	3	Clip-Tubing, Harness	16	119-8952	2	Washer-Spcl
2		1	Battery- Wet, 12V, 300 CCA ●■	17	137-3041	1	Screw-HH
3	117-1197	1	Solenoid	18	139-2575	2	Nut-HF
4	110-6765	2	Switch	19	137-3053	1	Screw-CARR
5	137-4100	1	Switch-Ignition	20	32103-22	1	Nut-Wing
6	63-8360	1	Key-Ignition	21	139-2580	2	Nut-HJ
7	139-6368	1	Switch-Rocker, On-None-On	22	139-6404	1	Hour Meter
8	1-643275	1	Relay	23	139-2593	1	Screw-HHF
9	140-2080	1	Cover-Solenoid	25	139-1713	1	Screw-Thd Roll
10	140-2081	1	Cap-Solenoid	26	32180-082	1	Clip-Edge W/Tie, Perpendicular

● Obtain locally.

■ Not serviced separately

54 Inch Deck Assembly

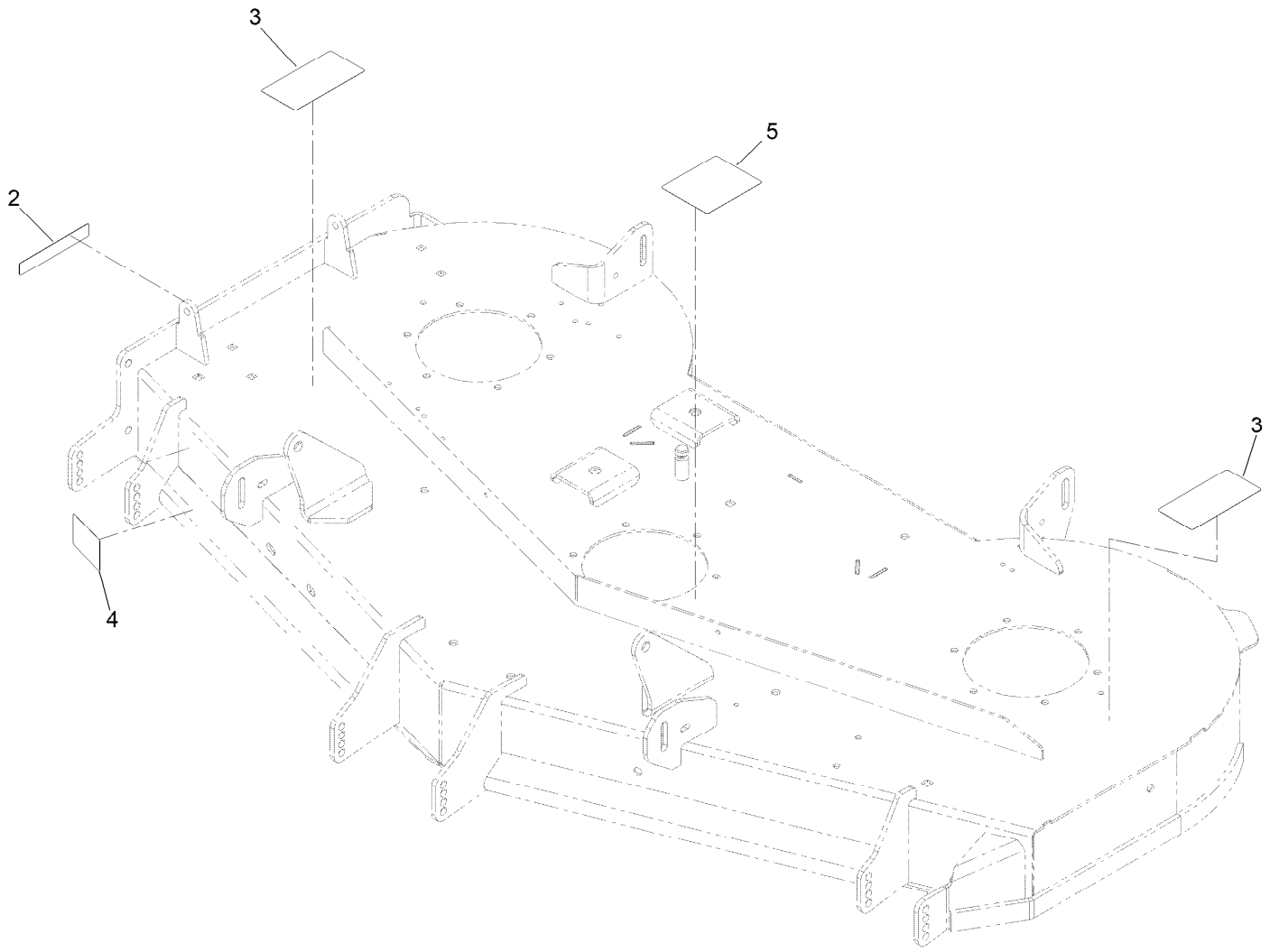


54 Inch Deck Assembly (continued)

<i>Ref.</i>	<i>Part Number</i>	<i>Qty.</i>	<i>Description</i>	<i>Ref.</i>	<i>Part Number</i>	<i>Qty.</i>	<i>Description</i>
1	147-8750	1	54 In Deck & Decal ASM	32	147-3015	1	Deflector - Molded
2	147-7569	1	Decal - Deck 54	33	115-5048-03	1	Plate-Deflector
7	139-2357	3	Spindle ASM	34	139-1702	1	Bolt-Carriage
7:2	116-0720	2	Bearing-Ball	35	98-5967	1	Spacer-Wheel
7:3	138-7220	1	Spacer-Bearing	36	147-2872	2	Stud-Ball
8	32144-41	18	Screw-Taptite	37	147-2871	2	Grommet-Ball
9	115-2642	3	Shaft-Spindle	38	147-2854	1	Cover-Belt, LH
10	138-7221	3	Shield-Bearing	39	147-2853	1	Cover-Belt, RH
11	139-7455	3	Pulley	40	115-7373	2	Nut-Lock ●
12	7-4150	3	Washer	41	120-7950	4	Screw-Torx
13	115-9650-03	3	Blade-Hi Flo	42	147-7567	1	Decal - Iron Forged
14	145-0412	3	Screw-Blade	43	3219-7	3	Nut-Hex
15	114-0463	2	Washer-Friction, Composite	44	110-9981	3	Washer-Plain
16	138-7225	1	Spacer	45	3231-31	1	Screw-CARR
17	145-7038	1	Idler Arm ASM	46	80-6990	3	Washer-Hardened
18	138-7227	3	Bushing-Idler	47	323-9	2	Screw-HH
19	132-4718	3	Pulley-Idler, Flat	48	3230-22	2	Screw-CARR
20	136-5615	1	Guide-Belt, Idler	49	104-8300	12	Nut-HF, NI
21	138-7228	1	Spring-Extension	50	323-23	2	Screw-HH
22	115-9653-03	1	Baffle-Cutoff	51	108-5388	1	Screw-HH
23	1-603299	4	Roller-Scalp, Anti	52	322-2	5	Screw-HH
24	138-7229	2	Tube-Spanner	53	323-10	1	Screw-HH
25	104-0892	2	Spacer-Axle, Rear	54	104-8301	5	Nut-HF, NI
26	147-2913	1	V-Belt (B Sec 174.25 EI)	55	3230-3	4	Screw-CARR
28	138-7231	1	Pin-Chute	56	3256-68	2	Washer-Flat
29	126-4781-03	1	Step-Deck	75	32144-4	4	Screw-HWH
30	114-1648-03	1	Bracket-Deflector, Upper	79	99-7375	1	Hose-Breather
31	138-7232	1	Spring-Torsion				

● Not illustrated

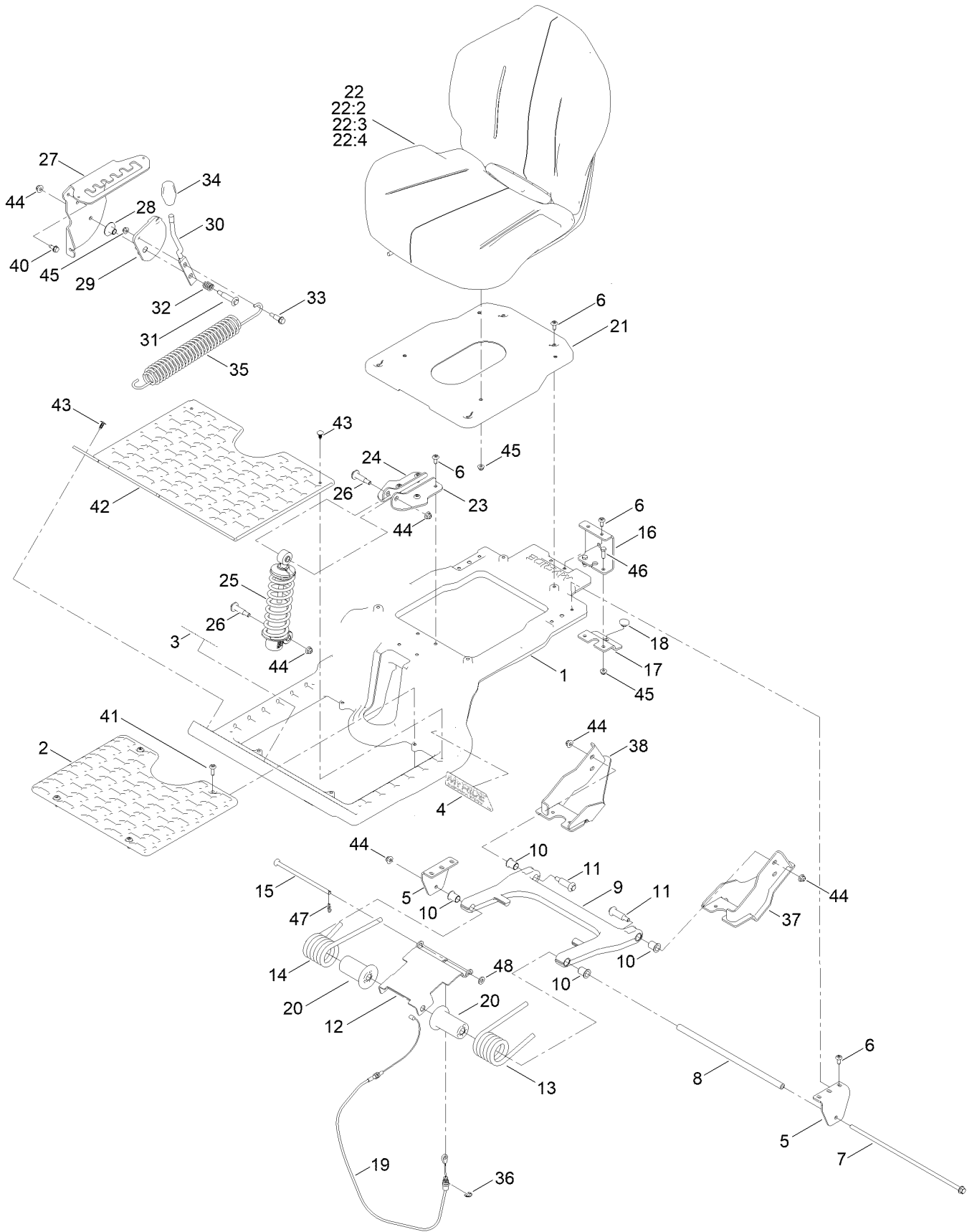
Deck Decal Assembly No. 147-8750



Deck Decal Assembly No. 147-8750 (continued)

<i>Ref.</i>	<i>Part Number</i>	<i>Qty.</i>	<i>Description</i>	<i>Ref.</i>	<i>Part Number</i>	<i>Qty.</i>	<i>Description</i>
2	130-0731	1	Decal-Danger	4	130-0765	1	Decal-Scalp, Anti
3	132-0872	2	Decal-Danger, Deck	5	117-1194	1	Decal-Routing, Belt

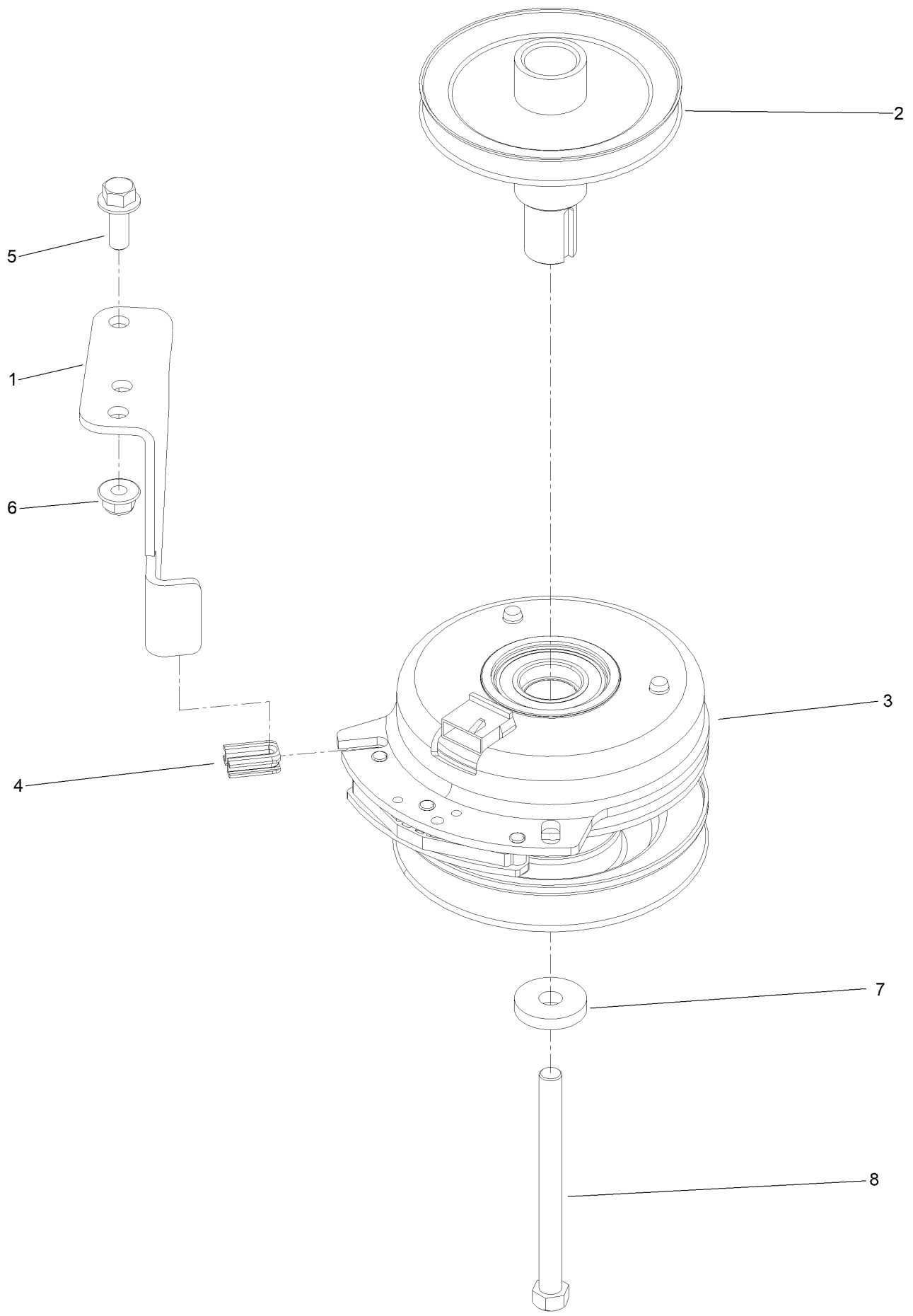
Seat Pan Assembly



Seat Pan Assembly (continued)

<i>Ref.</i>	<i>Part Number</i>	<i>Qty.</i>	<i>Description</i>	<i>Ref.</i>	<i>Part Number</i>	<i>Qty.</i>	<i>Description</i>
1	145-6394-05	1	Platform, Myride	24	133-9319-03	1	Bracket-Shock Mount, Upper (RH)
2	145-6395-05	1	Platform, Myride	25	139-2427	1	Shock/Spring ASM
3	147-7662	1	Decal - Myride	26	136-7198	2	Bolt-Shoulder
4	147-7575	1	Decal - Myride	27	145-6309-01	1	Bracket-Mr Gate
5	138-7517	2	Bracket-Mount, Swing Arm	28	139-5800	1	Bushing - Flange
6	138-9753	14	Screw	29	147-5171	1	Pulley-Cam
7	138-7548	1	Screw-HHF	30	147-5172	1	Lever-Adjustment, Threaded
8	138-7549	1	Tube-Spacer	31	92-1057	1	Bolt-Shoulder
9	145-6312	1	Arm-Swing	32	139-5858	1	Spring-Compression
10	138-2573	4	Bushing-Flange	33	140-3759	1	Bolt-Shoulder,HHF
11	138-2547	2	Bolt-Shoulder	34	147-8715	1	Knob-Mr
12	138-7566-03	1	Plate-Adjuster	35	138-9848	1	Spring-Extension
13	137-1983	1	Spring-Torsion, LH	36	32120-47	1	Ring-Retaining, External
14	137-7018	1	Spring-Torsion, RH	37	147-8721-03	1	Mount-Mr Swing Arm, LH
15	138-9813	1	Rod-Adjustment	38	147-8722-03	1	Mount-Mr Swing Arm, RH
16	138-9788	1	Bracket-Cable	40	32144-70	3	Screw-HWHTF
17	139-2361-03	1	Bracket Lower	41	147-7606	4	Screw-Spcl
18	135-0505	1	Bumper-Seat	42	147-7724	1	Floor Mat
19	147-7713	1	Cable-Adjustment, Myride	43	117-2382	4	Plug-Plastic
20	138-9776	2	Retainer-Spring	44	119-4042	6	Nut-HF, NI
21	147-7690-03	1	Pan-Seat [black]	45	119-4041	7	Nut-HF
22	163-6012	1	Seat ASM - Milsco Cs180D	46	139-1716	2	Screw-HH
22:2	161-4566	1	Kit-Adjuster	47	137-3083	1	Pin-Hair
22:3	82-2190	1	Switch-Bail	48	115-1166	1	Washer-Plain
22:4	163-6015	1	Cover-Seat				
23	133-9318-03	1	Bracket-Shock Mount, Upper (LH)				

Clutch Assembly



Clutch Assembly (continued)

<i>Ref.</i>	<i>Part Number</i>	<i>Qty.</i>	<i>Description</i>	<i>Ref.</i>	<i>Part Number</i>	<i>Qty.</i>	<i>Description</i>
1	137-7000	1	Stop-Clutch (Wide)	5	3234-42	1	Screw-HHF
2	138-9831	1	Pulley-Engine	6	104-8301	1	Nut-HF, NI
3	127-3410	1	Clutch-PTO	7	112843	1	Washer
4	120-2217	1	Isolator-Clutch	8	3212-19	1	Screw-HH

Attachments and Accessories

For 76511 Titan MYRide 54in Zero Turn Riding Mower

Product Name	Model/Part
Powered Bagger, Titan Models ROHS.....	79348
54in Recycler Kit.....	136-7489
Leaf Bagging Enhancement Kit	140-5122
Kit-Striping, 54/60in	147-8781
ROPS Kit	79487
Assist Bar Kit	161-4450
Mount, Jack Titan	147-8824
Hypr-Oil 500 (quart).....	114-4713
Heavy Duty Spring Kit.....	161-4525
Kit-Arm Rest	161-4567
Flat Free Caster Wheel Kit.....	145-0489
HD Bagger Cover Kit	140-5036
Led Light Kit.....	147-8757
Kit-Slope Sensor.....	79489
Oil-30/10W-30 Synthetic (Quart).....	138-6053
Hydro Service Kit.....	144-5347
Jack Kit.....	127-6666
4-Cycle Fuel, Snow And Lawn 32oz Can	131-3823
Fuel Stabilizer .05 oz	130-2393
Toro Premium Fuel Treatment 12oz Bottle.....	131-6572
10W30 4-Cycle Engine Oil (32oz Bottle).....	38280
Toro 4-Cycle SAE 30 Oil (32oz Bottle)	38903
Toro Deluxe Rider Cover.....	490-7319

Notes:

Notes:

Notes:



Count on it.