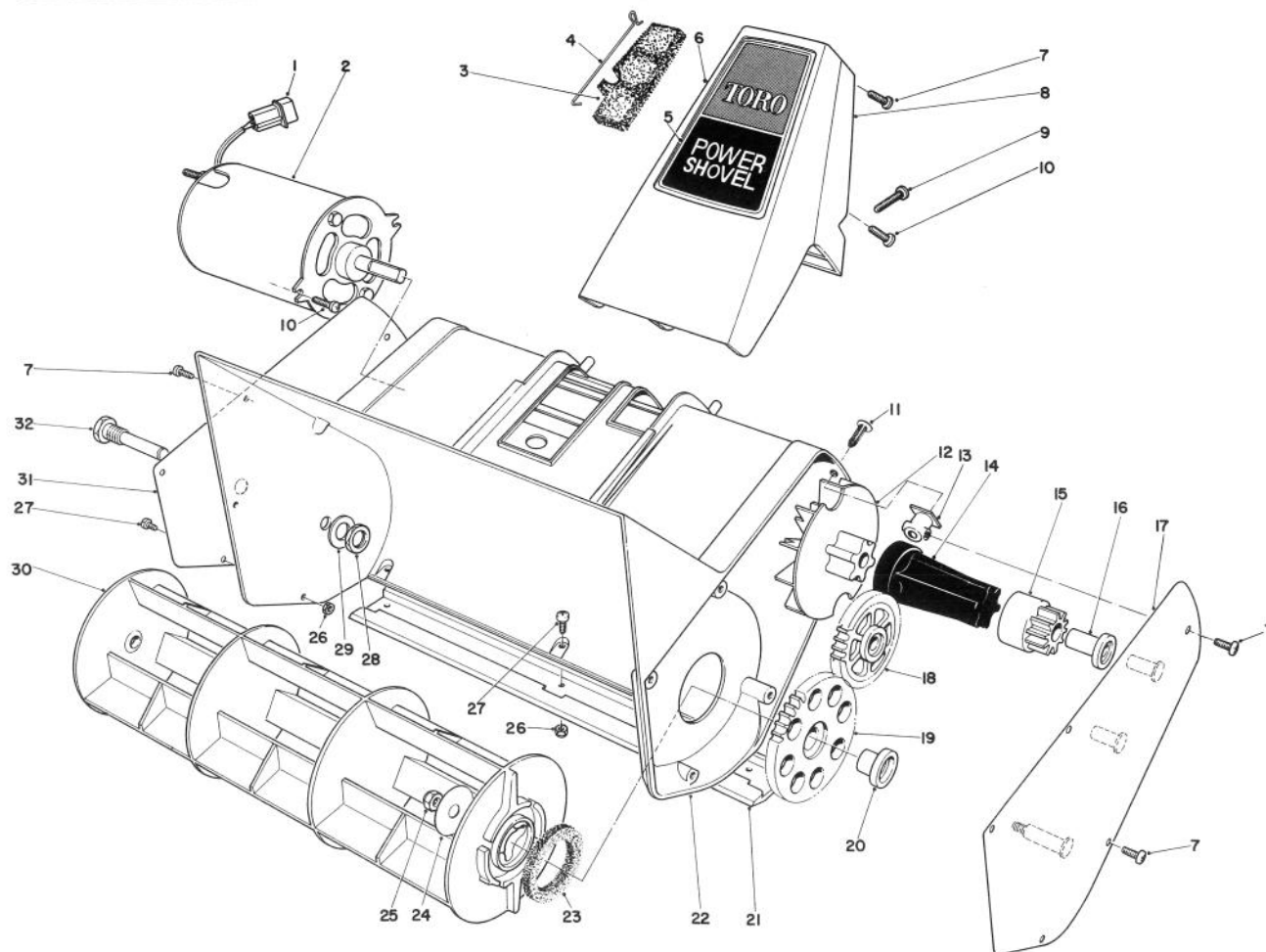


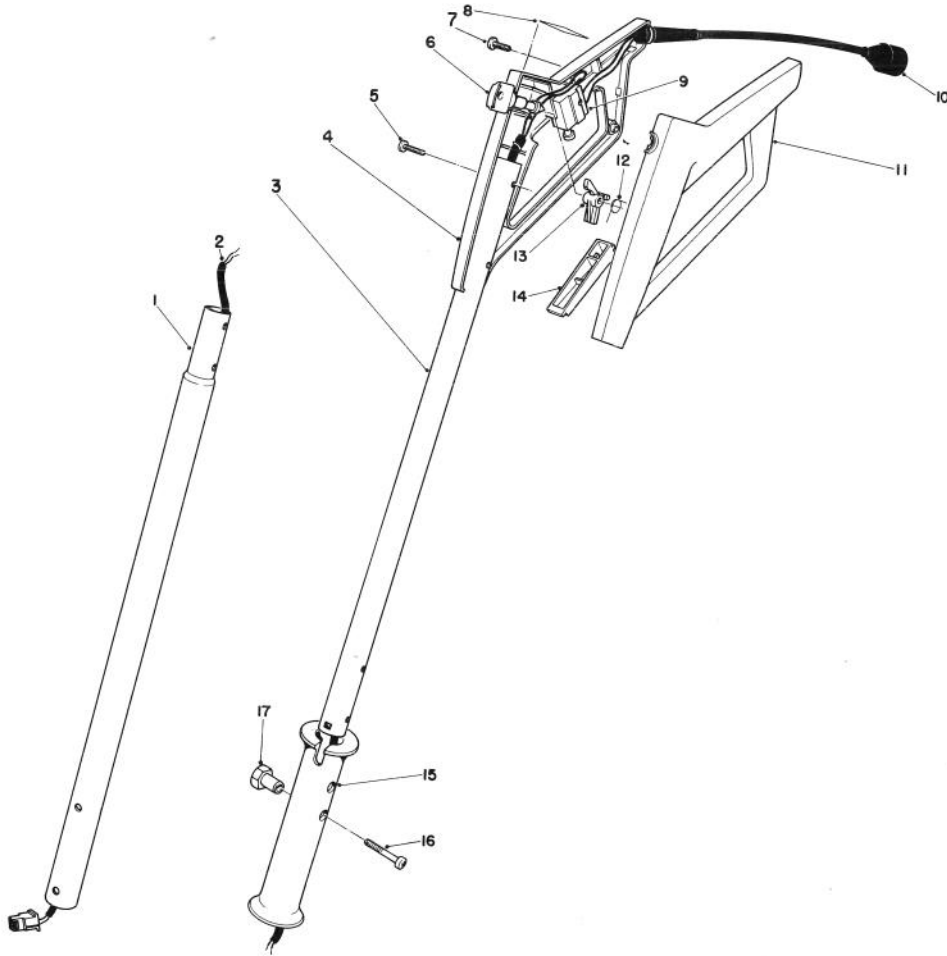


MODEL NO. 38310-4000001 & UP

**PARTS
CATALOG**
TORO POWER SHOVEL

ROTOR HOUSING ASSEMBLY

Ref. No.	Part No.	Description	No. Used
1	218-517	Pin Housing	1
2	41-9920	Motor	1
3	42-0050	Filter - Foam	1
4	42-2910	Retainer - Filters	1
5	41-9840	Decal - Handle Support	1
6	42-2850	Handle Support -- Front	1
7	32104-118	Screw - Pan Head	11
8	42-2860	Handle Support - Back	1
9	3250-20	Screw - Pan Head	2
10	32144-36	Screw - Pan Head	4
11	42-0250	Fastener	2
12	41-9820	Fan	1
13	42-0060	Block - Mounting	2
14	38-8570	Coupling - Drive	1
15	42-0240	Drive Gear (Incl. Ref. #16)	1
16	42-0010	Bushing - Drive Gear	1
17	49-2990	Gear Carrier	1

Ref. No.	Part No.	Description	No. Used
18	41-9940	Idler Gear Assembly	1
19	42-0230	Rotor Gear Assembly (Incl. Ref. #20)	1
20	41-9890	Bushing - Rotor	1
21	41-9830	Scraper	1
22	49-3210	Housing	1
23	38-8580	Washer - Felt	1
24	42-0070	Washer - Rotor	1
25	3296-13	Locknut - Thin	1
26	3296-54	Locknut - Thin	5
27	3250-19	Screw - Pan Head	5
28	32146-21	Nut - Jam	1
29	3256-24	Flat Washer	1
30	38-8170	Rotor	1
31	41-9960	Cover, Right Side	1
32	38-8210	Pin - Rotor	1
*	3290-378	Cable Tie	1



HANDLE ASSEMBLY

Ref. No.	Part No.	Description	No. Used
1	41-9850	Tube – Lower Handle	1
2	42-0020	Wire Harness	1
3	41-9860	Tube – Upper Handle	1
4	42-2830	Grip – Control R.H.	1
5	32104-121	Screw, Pan Head	3
6	38-8310	Key	2
7	32104-118	Screw, Pan Head	2
8	38-8340	Decal – Control Grip	1
9	36-8340	Switch	1

Ref. No.	Part No.	Description	No. Used
10	42-0770	Cord – Supply	1
11	42-2840	Grip – Control, L.H.	1
12	38-8330	Spring	1
13	41-9870	Lockout	1
14	42-2870	Switch Bar	1
15	41-9880	Grip – Handle	1
16	39-3720	Screw – Pan Head Special	2
17	39-3710	Nut – Hex Special	2

**THE TORO PROMISE
ELECTRIC POWER SHOVEL
A FULL ONE YEAR WARRANTY**

The Toro Company warrants your TORO Product against defects in material or workmanship. During the warranty period, Toro will, at its option, replace a defective product with a new or rebuilt unit, or will repair or replace any defective parts. The following time periods from the date of purchase apply:

Residential 1 Year
Residential Products Used Commercially 45 Days

The cost of replacement or repair is included, but the customer pays the transportation costs.

Should you feel your TORO Product is defective and wish to rely on The Toro Promise, you may return it to:

- 1. The original place of purchase
- or 2. A TORO Electrical Service Dealer
- or 3. The Toro Service Center
1401 Industrial Rd.
Hudson, WI 54016
(Postage Prepaid)

Upon return of your unit to one of the above, it will be inspected and you will be advised whether the product is defective. If defective, arrangements will be made for repair or replacement without extra charge to you.

If for any reason you are dissatisfied with the analysis of the defect or the service performed, you may contact us.

Write: TORO Service Department
8111 Lyndale Avenue South
Minneapolis, MN 55420

THERE IS NO OTHER EXPRESS WARRANTY.

THE TORO COMPANY IS NOT LIABLE FOR INDIRECT OR CONSEQUENTIAL DAMAGES IN CONNECTION WITH THE USE OF THE PRODUCT.

Some states do not allow the exclusion or limitation of incidental or consequential damages, so the above limitation or exclusion may not apply to you.

This Warranty applies only to parts or components which are defective and does not cover repairs necessary due to normal wear, misuse, accidents, or lack of proper maintenance. Regular, routine maintenance of the unit to keep it in proper operating condition is the responsibility of the owner.

All warranty repairs reimbursable under The Toro Promise must be performed by a TORO Electrical Service Dealer using Toro approved replacement parts.

Repairs or attempted repairs by anyone other than a TORO Electrical Service Dealer are not reimbursable under The Toro Promise. In addition, these unauthorized repair attempts may result in additional malfunctions, the correction of which is not covered by warranty.

This warranty gives you specific legal rights, and you may also have other rights which vary from state to state.

