



## Z150 Z Master<sup>®</sup> With 52in SFS Side Discharge Mower

Model No. 74165 - 240000001 and up.

### Parts Catalog

---

#### Ordering Replacement Parts

To order replacement parts, please supply: the part number, the quantity, and the description of each part desired.

#### Understanding Reference Numbers

Each identified part in an illustration has a reference number. The reference number for a part also appears in the parts list, along with other information about the part.

This catalog uses two special reference number formats, one to indicate parts in a service assembly and another to indicate the quantity of a given part in an illustration.

#### Service Assembly Reference Numbers

Parts in service assemblies have reference numbers in the form **a:b**. The **a** represents the reference number of the entire service assembly and the **b** represents a sequential number unique to each part within the service assembly.

For example, a wheel assembly might be identified by reference number 6, the tire by **6:1**, the valve by **6:2**, and the wheel by **6:3**. When you order the assembly identified by reference number 6, you receive all parts identified by reference numbers 6:1, 6:2, and 6:3. However, you may also order any part individually. Reference numbers of this type appear in illustrations and in part lists.

#### Reference Numbers Indicating Quantity

In an illustration, if a reference number indicates more than one part, the reference number has the form **nX y**. The **n** represents the quantity of the part, the **X** is the multiplication symbol, and the **y** represents the reference number.

For example, in an illustration, the reference number **2X 37** means that two of the parts identified by reference number 37 are indicated.

# Part Description Abbreviations

Part descriptions in this catalog may include the following abbreviations.

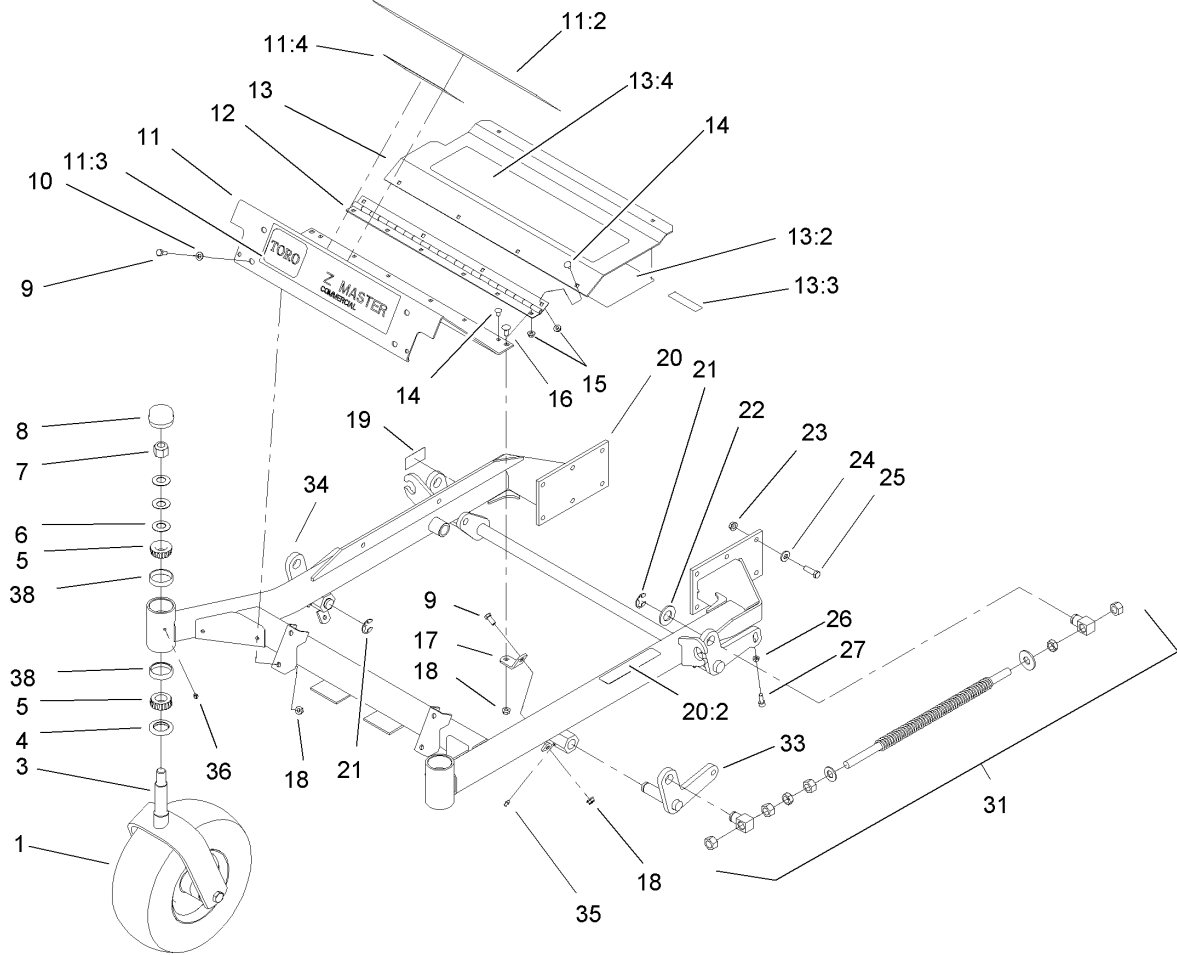
AR. ....	as required	HYD. ....	hydraulic
ASM. ....	assembly	INC. ....	incorporated
CARR. ....	carriage	LH. ....	left hand
DEG. ....	degrees	NI. ....	nylon insert
FH. ....	flat head	PPH. ....	phillips pan head
GA. ....	gauge	PTH. ....	phillips truss head
HF. ....	hex flange	PTO. ....	power take off
HH. ....	hex head	RH. ....	right hand
HHF. ....	hex head flange	SFH. ....	slotted fillister head
HHFTF. ....	hex head flange thread forming	SHH. ....	slotted hex head
HJ. ....	hex jam	SHWH. ....	slotted hex washer head
HLH. ....	hex lag head	SPH. ....	slotted pan head
HOC. ....	height-of-cut	SQH. ....	square head
HS. ....	hex	SRH. ....	slotted round head
HSBH. ....	hex socket button head	STD. ....	standard
HSFH. ....	hex socket flat head	TAP. ....	self tapping
HS. ....	hex socket head	TTH. ....	torx truss head
HWH. ....	hex washer head	WH. ....	wing head
HWHTF. ....	hex washer head thread forming		

## Footnotes

- ❶ Not illustrated
- ❷ Obtain Parts From Kohler
- ❸ Not serviced separately

## Contents

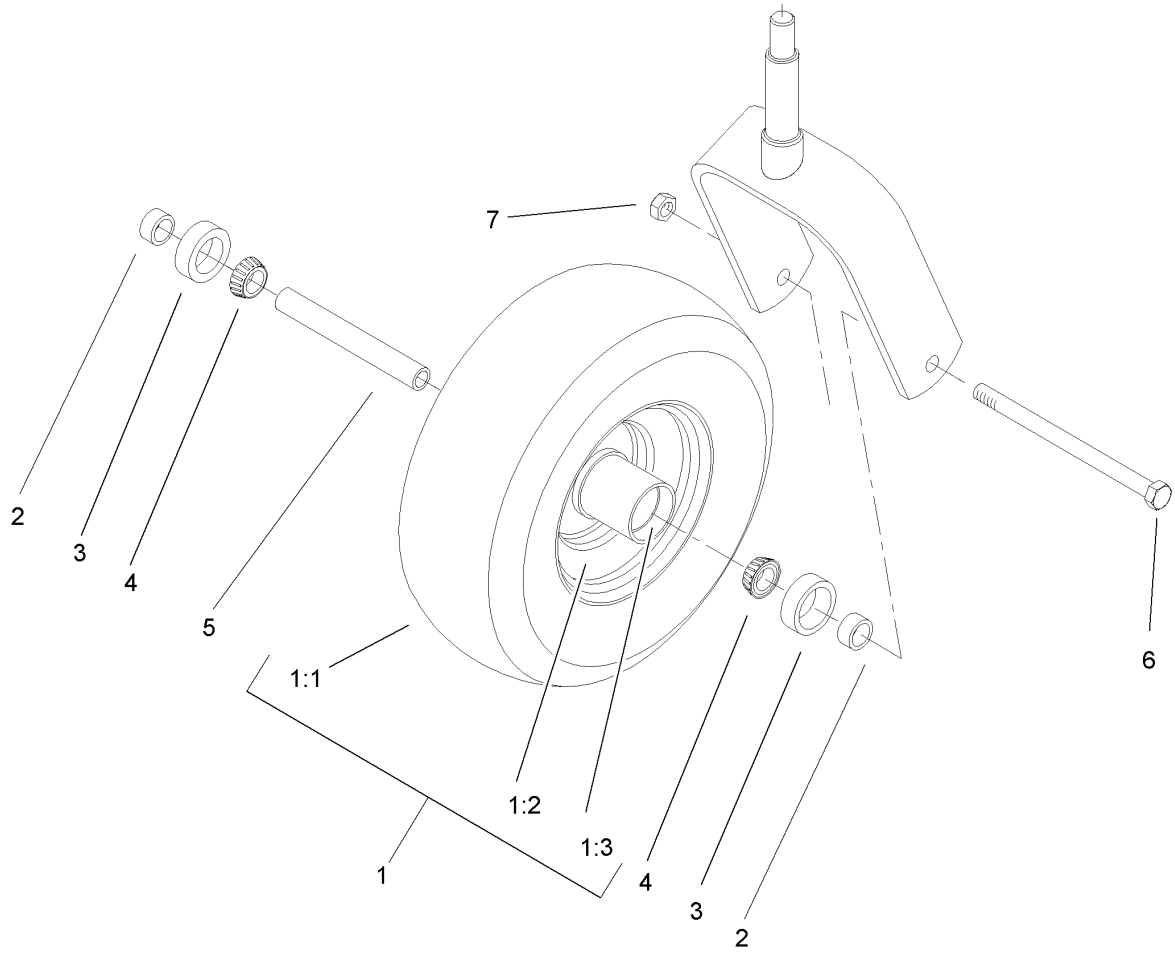
Description	Page	Description	Page
Front Frame Assembly	3	Crankcase Assembly Kohler CV20S PRO-65593	25
Caster Wheel Assembly No. 1-634662	4	Oil Pan/Lubrication Assembly Kohler CV20S PRO-65593	26
Front Spring Assembly No. 103-1987	5	Head/Valve/Breather Assembly Kohler CV20S PRO-65593	27
Height of Cut Assembly	6	Ignition/Electrical Assembly Kohler CV20S PRO-65593	28
Main Frame Assembly	7	Blower Assembly Kohler CV20S PRO-65593	29
Fuel System Assembly	8	Starter Assembly Kohler CV20S PRO-65593	30
Parking Brake System Assembly	9	Fuel System Assembly Kohler CV20S PRO-65593	31
Steering Control Assembly	10	Engine Control Assembly Kohler CV20S PRO-65593	32
Hydraulic System Assembly	11	Air Intake/Filtration Assembly Kohler CV20S PRO-65593	33
Hydraulic Pump Assembly No. 103-1942	13	Exhaust Assembly Kohler CV20S PRO-65593	34
Pump Idler and Belt Assembly	14		
Engine, Clutch and Muffler Assembly	15		
Deck and Wheel Gage Assembly	16		
Deck Decal and Deflector Assembly No. 106-5876	17		
Deck Spindle Assembly	18		
Idler Pulley, Lift Strut and Chain Assembly	19		
Electrical System Assembly	20		
Seat and Roll-Over-Protection-System Assembly	21		
Seat Assembly No. 107-1867	22		
Roll-Over Protection System Assembly No. 107-3066	23		
Crankshaft Assembly Kohler CV20S PRO-65593	24		



## Front Frame Assembly

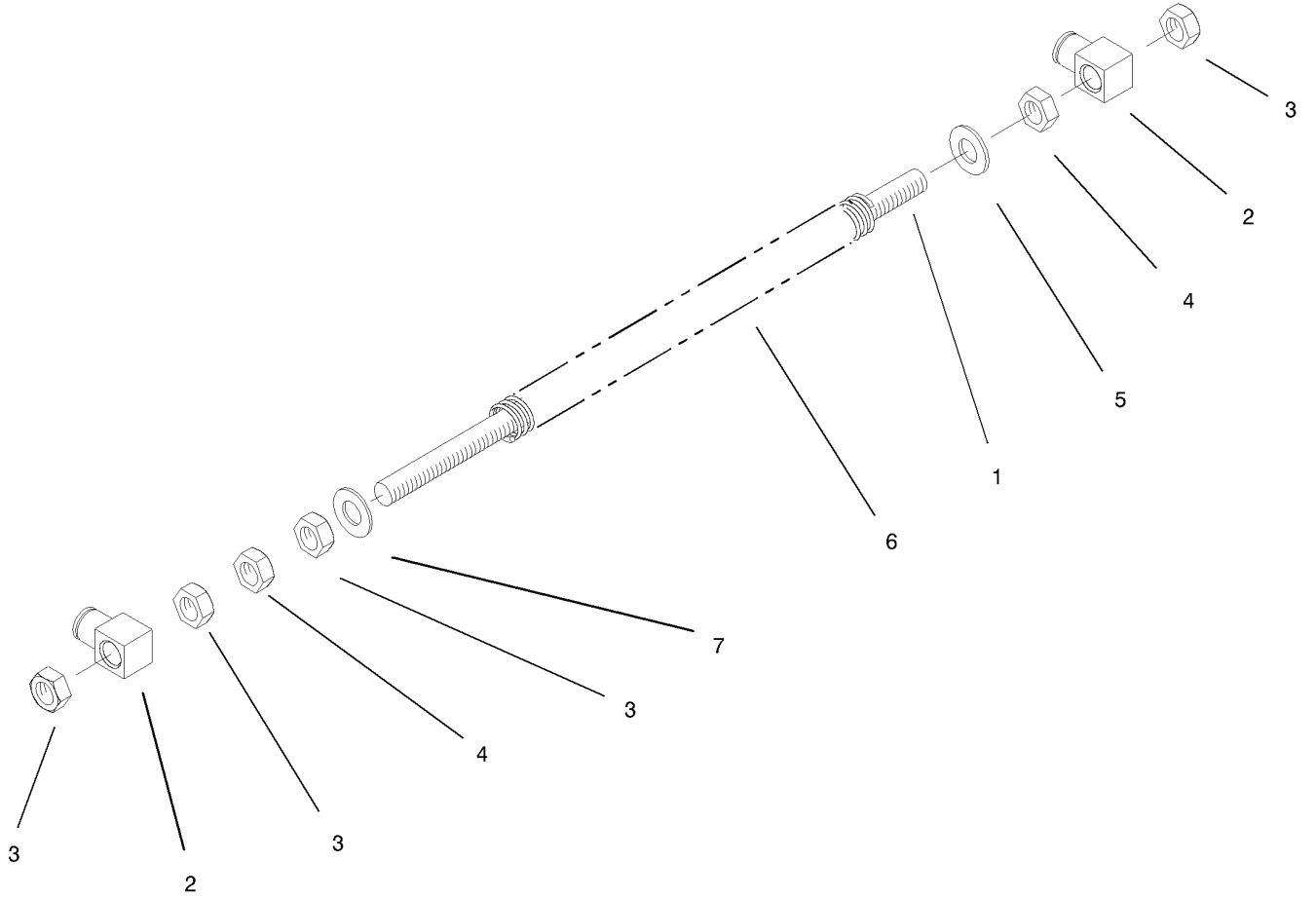
Ref	Part No.	Qty.	Description
1	1-634662	2	Caster Wheel ASM
3	1-632511-01	2	Caster
4	1-543511	2	Seal-Grease
5	254-94	4	Bearing-Cone, Taper
6	1-633508	6	Washer-Bellville
7	3296-51	2	Nut-Lock, NI
8	1-543513	2	Cap-Grease
9	322-3	6	Screw-HH
10	3256-23	4	Washer-Flat
11	107-2107	1	Floorpan ASM
11:2	1-633553	1	Pad-Antiskid
11:3	106-7451	1	Decal
11:4	107-2112	1	Decal-Warning
12	1-653049	1	Hinge-Floorpan
13	99-3930	1	Footrest ASM
13:2	99-3924	1	Decal-Service
13:3	98-5954	1	Decal-Missing, Cover
13:4	1-633553	1	Pad-Antiskid
14	3229-10	10	Screw-CARR
15	32128-33	10	Nut-HF
16	3230-1	2	Bolt-CARR
17	99-3870-01	2	Bracket-Floorpan
18	32128-20	8	Nut-HF
19	105-2625	1	Decal-Std, Safety

Ref	Part No.	Qty.	Description
20	107-1783	1	Front Frame ASM
20:2	1-633818	1	Decal-Warning
21	32151-103	6	Ring-Snap
22	3256-29	6	Washer-Flat
23	3290-357	12	Nut-HHF
24	98-5975	12	Washer-Belleville
25	323-7	12	Screw-HH
26	3218-2	2	Nut-Jam
27	3274-18	2	Screw-HSH
31	103-1987	2	Front Spring ASM
33	107-1791-01	1	LH Front Deck Lift ASM
34	107-1792-01	1	RH Front Deck Lift ASM
35	302-19	4	Fitting-Grease
36	1-811010	2	Plug
38	254-72	4	Bearing-Cup, Tapered



## Caster Wheel Assembly No. 1-634662

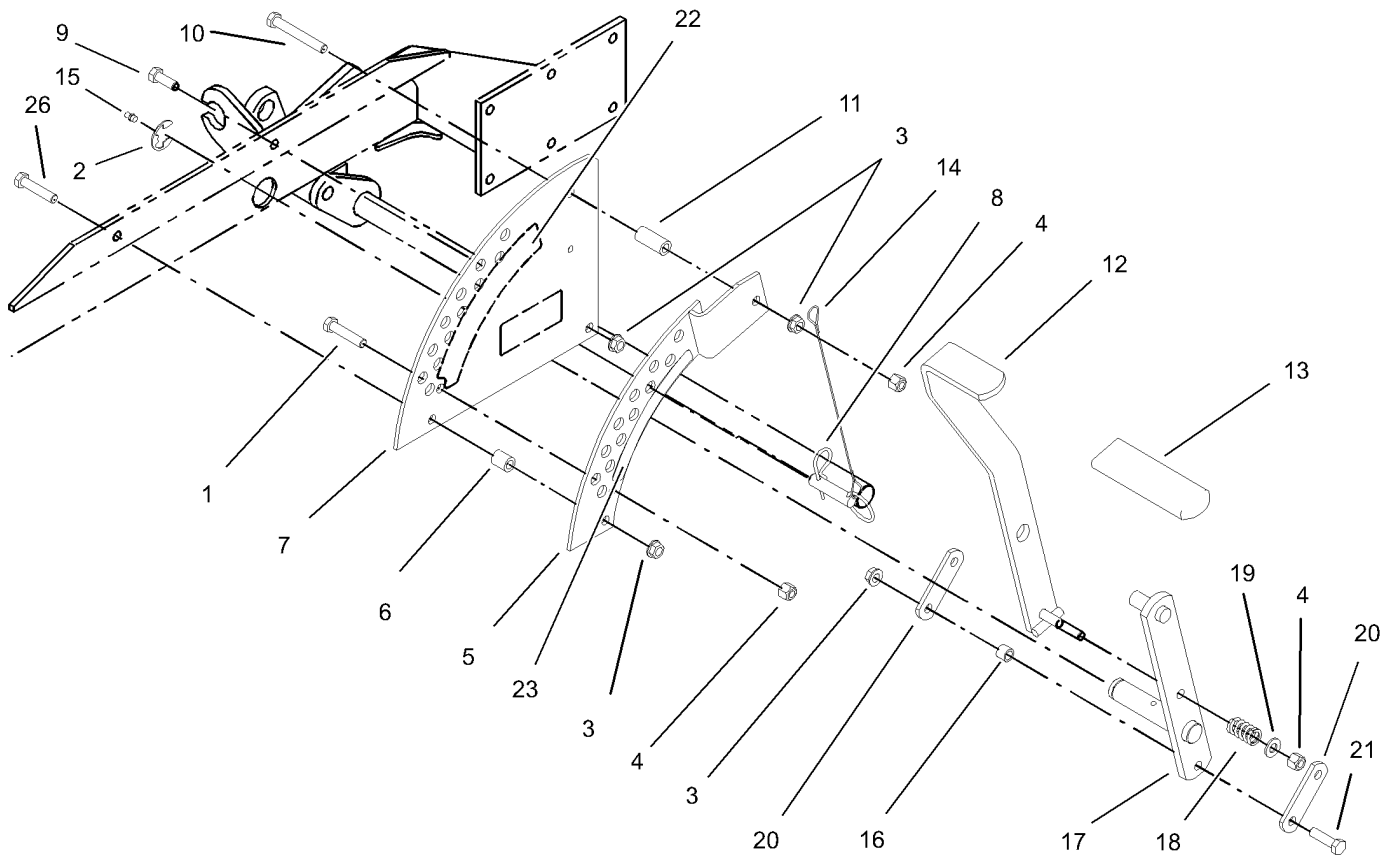
Ref	Part No.	Qty.	Description	
1	1-633582	1	Wheel And Tire ASM	
1:1	1-633002	1	Tire	
1:2	1-633583	1	Wheel	
1:3	1-633584	2	Bearing-Cup	
2	1-633581	2	Spacer-Bearing	
3	1-633580	2	Seal-Bearing	
4	1-633585	2	Bearing-Cone, Taper	
5	1-633579	1	Spacer-Caster, Front	
6	325-36	1	Screw-HH	
7	3296-45	1	Nut-Lock, NI	



### Front Spring Assembly No. 103-1987

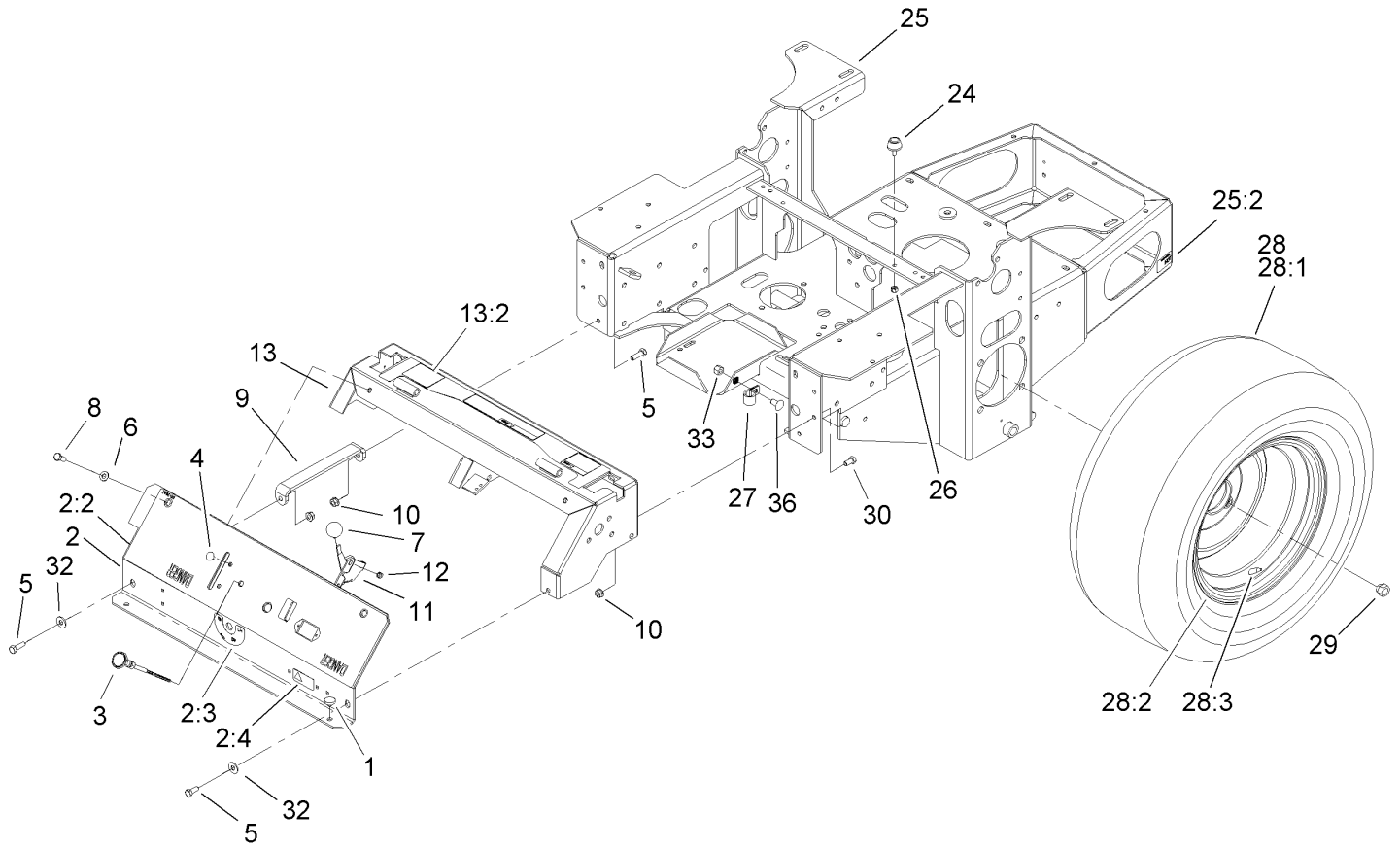
Ref	Part No.	Qty.	Description
1	1-653011	1	Rod-Lift, Deck
2	1-633441	2	Swivel-Deck Mount, Rear
3	3217-11	4	Nut-Hex
4	3218-6	2	Nut-Jam
5	1-805517	1	Washer
6	1-653009	1	Spring-Compression
7	3256-27	1	Washer-Flat

--	--	--	--



### Height of Cut Assembly

Ref	Part No.	Qty.	Description
1	323-9	1	Screw-HH
2	32151-103	1	Ring-Snap
3	3290-357	5	Nut-HHF
4	3296-39	3	Nut-Lock, NI
5	1-652235-01	1	Plate-Lift, Deck
6	1-633080	1	Bushing-Lever, Lift
7	1-653230-01	1	Plate-Lift, Deck
8	1-806005	1	Pin-Hair
9	323-6	1	Screw-HH
10	323-13	1	Screw-HH
11	1-633082	1	Bushing-Lever, Lift
12	103-2078-03	1	Handle-Lift
13	1-633295	1	Grip-Lever, Lift
14	1-633097	1	Pin-Hitch (W/lanyard)
15	302-19	1	Fitting-Grease
16	103-1918	2	Bushing
17	106-6598-03	1	Lift Arm ASM
18	1-633325	1	Spring-Compression
19	3256-24	1	Washer-Flat
20	1-633068	2	Arm-Lift, Deck
21	323-29	2	Screw-HH
22	1-653140	1	Decal-Deck Height, Outer
23	1-653147	1	Decal-Deck Height, Inner
26	323-8	1	Screw-HH

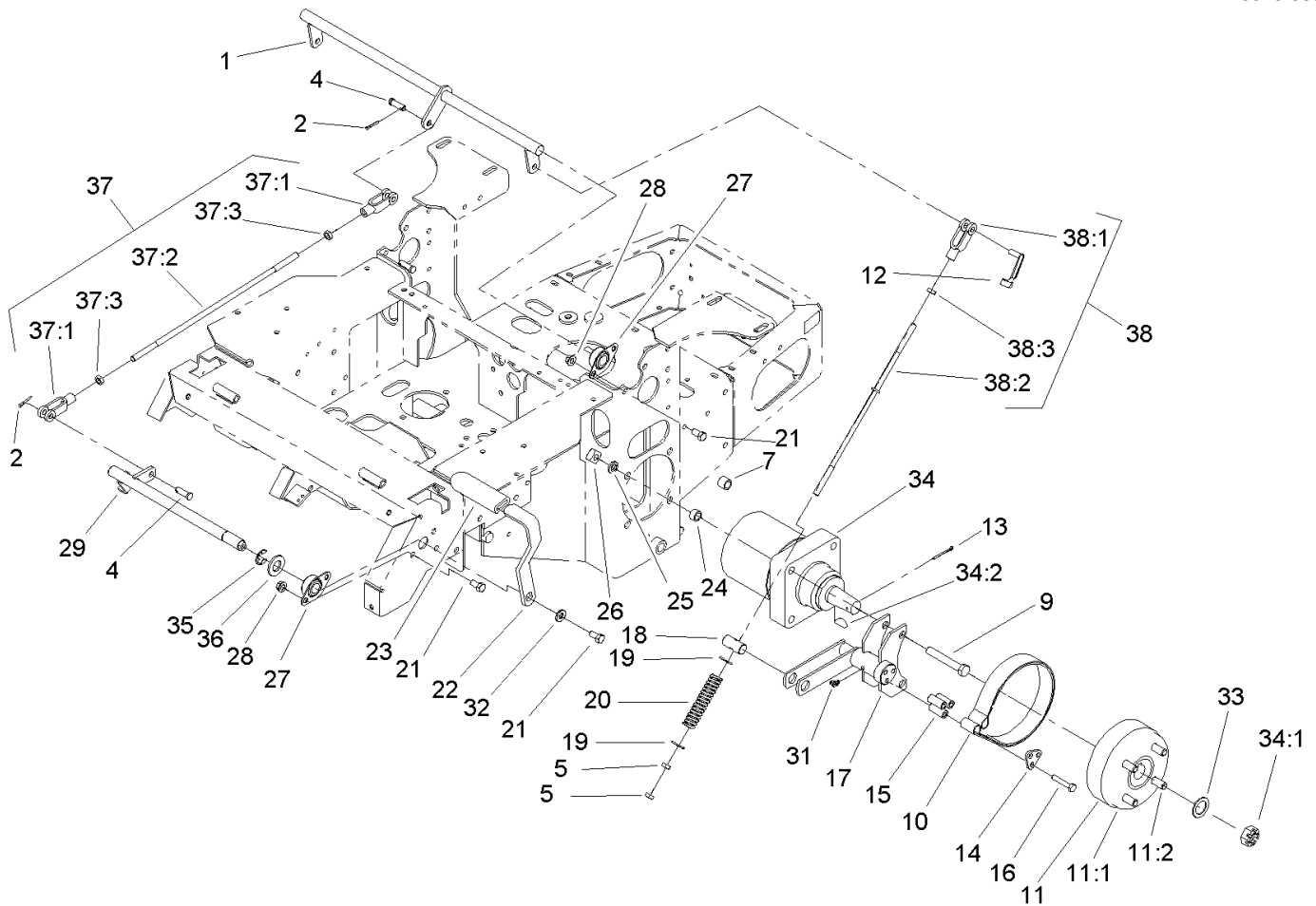



## Main Frame Assembly

Ref	Part No.	Qty.	Description
1	1-513658	2	Bumper
2	106-6589	1	Console ASM
2:2	106-6586	1	Decal-Panel, Control
2:3	103-0262	1	Decal-Valve, Fuel
2:4	98-4387	1	Decal-Protection, Ear
3	103-3085	1	Control-Choke
4	1-807513	2	Bolt-CARR
5	322-5	2	Screw-HH
6	3256-23	2	Washer-Flat
7	1-513592	1	Knob-Ball
8	322-3	3	Screw-HH
9	1-653089-03	1	Bracket
10	32128-20	12	Nut-HF
11	103-3086	1	Control-Throttle
12	3296-2	2	Nut-Lock
13	105-6123	1	Console Frame ASM
13:2	103-1997	1	Decal-Console, Top
24	1-523420	2	Bumper
25	107-2117	1	Main Frame ASM
25:2	65-2690	2	Decal-Surface, Hot
26	3296-42	2	Nut-Lock, NI
27	1-633396	1	Clip-Loom
28	1-653159	2	Wheel And Tire ASM
28:1	1-653160	1	Tire

Ref	Part No.	Qty.	Description
28:2	1-653161	1	Wheel
28:3	232-27	1	Stem-Valve
29	242-50	8	Nut-Lug
30	322-2	6	Screw-HH
32	3256-3	2	Washer-Flat
33	3296-39	1	Nut-Lock, NI
36	3231-21	1	Screw-CARR

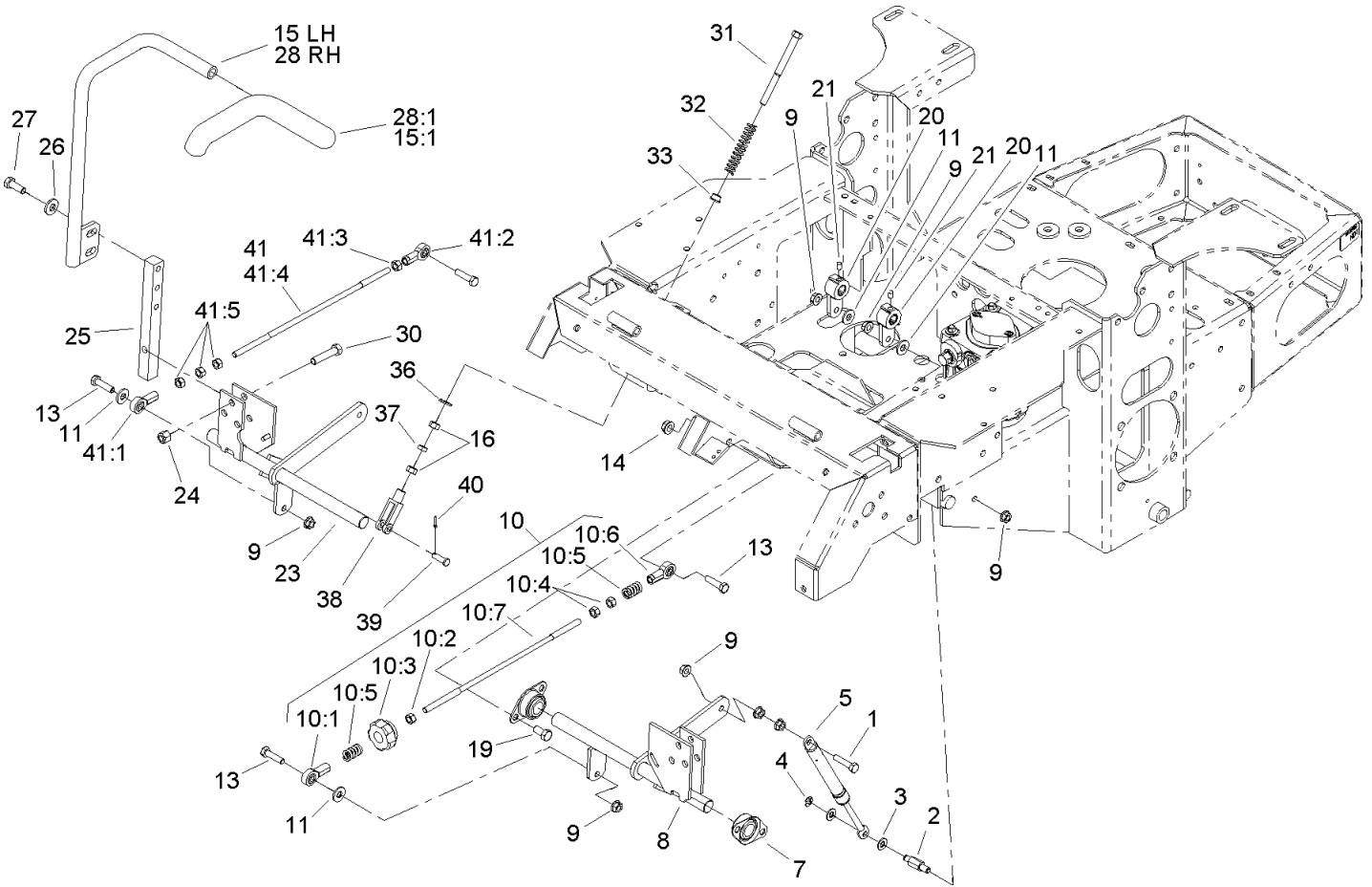




## Parking Brake System Assembly

Ref	Part No.	Qty.	Description
1	1-652073-03	1	Crank-Brake, Park
2	3272-10	2	Pin-Cotter
4	1-808285	2	Pin-Clevis
5	3219-3	4	Nut-HH
7	1-653068	4	Spacer-Wheel
9	325-13	8	Screw-HH
10	103-0355	2	Band-Brake
11	103-0590	2	Hub-Wheel ASM
11:1	103-0589	1	Wheel Hub ASM
11:2	1-633926	4	Stud-Wheel
12	103-2399	2	Pin-Spring, Clevis
13	1-806800	2	Pin-Cotter
14	103-0374	2	Retainer-Band, Brake
15	103-0384	6	Spacer
16	322-9	6	Screw-HH
17	103-0352-03	2	Bracket-Brake
18	1-633144	2	Pin-Trunion
19	3256-4	4	Washer-Flat
20	1-633454	2	Spring-Brake
21	323-4	9	Screw-HH
22	1-653074-03	1	Handle-Brake, Park
23	1-633268	1	Grip-Lever, Brake
24	1-653069	4	Spacer-Wheel
25	3253-7	8	Washer-Lock

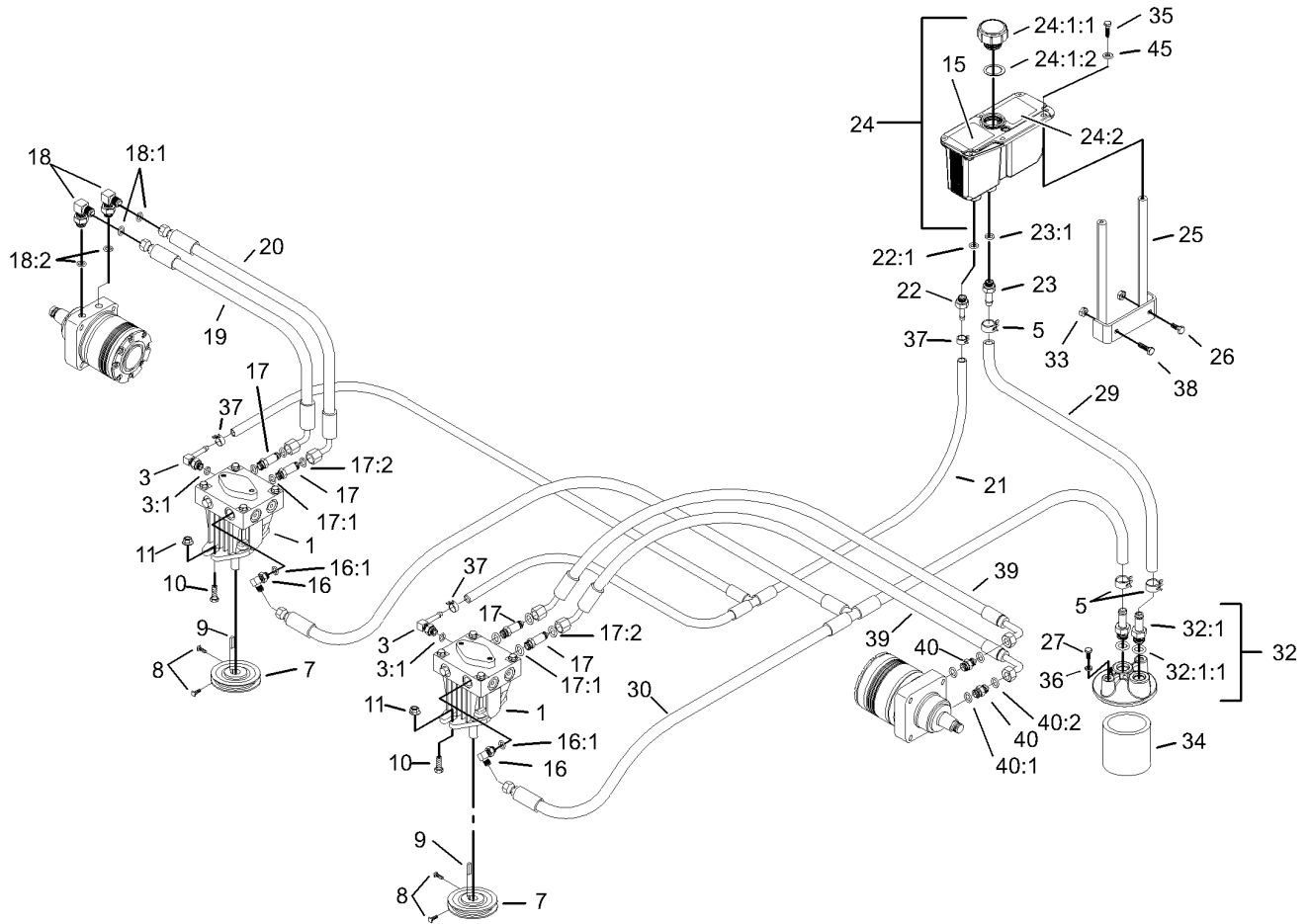
Ref	Part No.	Qty.	Description
26	103-0131	8	Nut-Square
27	1-633102	4	Bearing-Flange, Side
28	3290-357	8	Nut-HHF
29	103-3116	1	Shaft-Brake, Parking
31	1481	2	Fitting-Grease
32	98-5975	1	Washer-Belleville
33	1-523157	2	Washer-Spacer
34	1-523328	2	Motor-Wheel
34:1	1-809036	1	Nut-HH
34:2	3257-42	1	Key-Woodruff
●34:99	1-000139	1	Bearing Kit
●34:99	103-2748	1	Drive Link Kit
●34:99	1-000099	1	Seal Kit
35	32151-48	1	E-Ring
36	3256-28	1	Washer-Flat
37	103-4328	1	Brake Rod ASM
37:1	1-633131	2	Yoke-Linkage, Brake
37:2	1-653061	1	Linkage-Handle, Brake
37:3	3219-3	2	Nut-HH
38	103-4329	2	Brake Rod ASM
38:1	1-633131	1	Yoke-Linkage, Brake
38:2	103-0356	1	Rod-Brake
38:3	3219-3	1	Nut-HH



## Steering Control Assembly

Ref	Part No.	Qty.	Description
1	1-403180	2	Screw-HH
2	103-4101	2	Pin-Damper
3	3256-23	4	Washer-Flat
4	32120-35	2	E-Ring
5	103-4079	2	Damper-Control, Motion
7	1-633102	4	Bearing-Flange, Side
8	103-4774	1	Control-Motion, LH
9	32128-20	12	Nut-HF
10	103-4326	1	Tracking Rod ASM
10:1	1-543017	1	Balljoint-RH
10:2	3219-2	1	Nut-Hex
10:3	103-3060	1	Knob-Tracking
10:4	1-804524	2	Nut
10:5	1-323245	2	Spring-Compression
10:6	1-633152	1	Balljoint-Thread, LH
10:7	103-3066	1	Link-Rod, Tracking
11	3256-3	4	Washer-Flat
13	322-6	4	Screw-HH
14	3290-357	8	Nut-HHF
15	103-0631	1	LH Lever ASM
15:1	1-633257	1	Grip-Control, Motion
16	3219-2	4	Nut-Hex
19	323-4	8	Screw-HH
20	103-3717	2	Arm-Control

Ref	Part No.	Qty.	Description
21	1-803022	2	Screw-Set
23	103-4773	1	Control-Motion, RH
24	3296-39	6	Nut-Lock, NI
25	103-0407	2	Arm-Shaft, Control
26	98-5975	4	Washer-Belleville
27	323-6	4	Screw-HH
28	103-0632	1	RH Lever ASM
28:1	1-633257	1	Grip-Control, Motion
30	323-9	6	Screw-HH
31	1-603737	2	Bolt-Return, Neutral
32	1-603807	2	Spring-Return, Neutral
33	1-603735	2	Bushing-Flanged
36	3256-2	2	Washer-Flat
37	3220-2	2	Nut
38	1-303105	2	Yoke-Adjustable
39	1-808280	2	Pin-Clevis
40	3272-5	2	Pin-Cotter
41	103-4327	1	Tracking ASM
41:1	1-543017	1	Balljoint-RH
41:2	1-633152	1	Balljoint-Thread, LH
41:3	1-804524	1	Nut
41:4	103-3066	1	Link-Rod, Tracking
41:5	3219-2	3	Nut-Hex



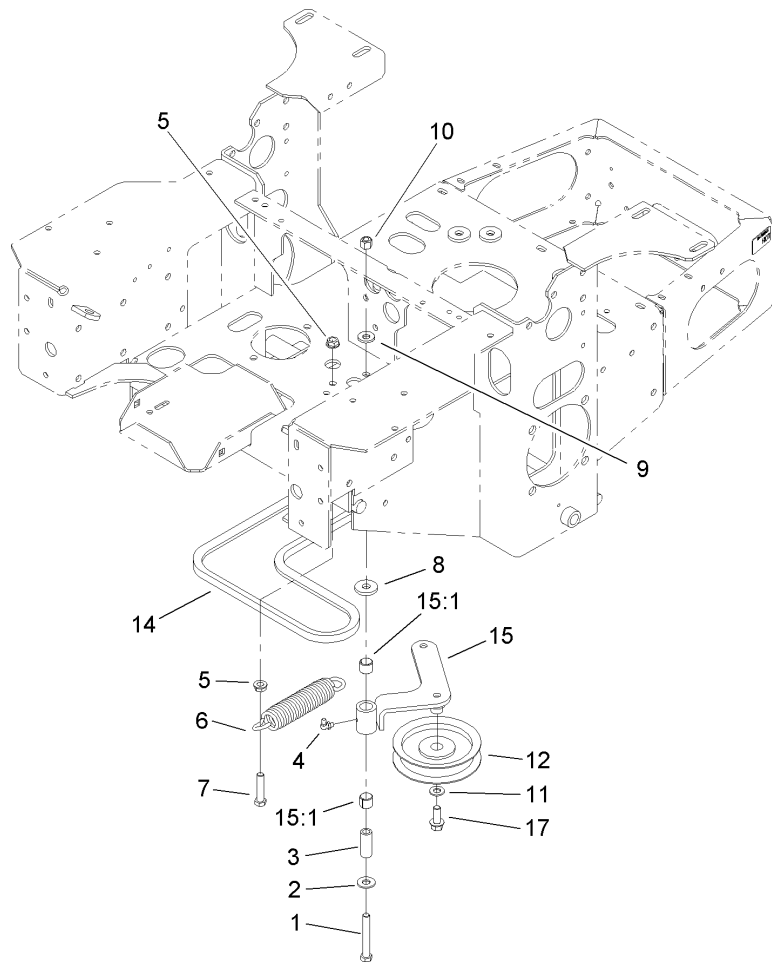
## Hydraulic System Assembly

Ref	Part No.	Qty.	Description
1	103-1942	2	Pump-HYD
3	103-1799	2	Elbow-90 DEG
3:1	237-42	1	O-Ring
5	103-1988	3	Clamp-Hose
7	1-653156	2	Pulley
8	1-803050	4	Screw-Set
9	1-807272	2	Key
10	323-7	4	Screw-HH
11	3290-357	4	Nut-HHF
15	103-2644	1	Decal-Exhaust
16	103-1802	2	Fitting-Hyd, 90 DEG
16:1	237-42	1	O-Ring
17	103-1940	4	Adapter-Hyd, Straight
17:1	237-79	1	O-Ring
17:2	1-603992	1	O-Ring
18	1-633605	2	Fitting-Hyd, 90 DEG
18:1	1-603992	1	O-Ring
18:2	237-80	1	O-Ring
19	1-653186	1	Hose-Front
20	1-653187	1	Hose-Rh, Rear
21	103-2357	1	HYD Hose ASM
22	103-1801	1	Adapter-Straight
22:1	237-42	1	O-Ring
23	103-1912	1	Adapter-Straight

Ref	Part No.	Qty.	Description
23:1	237-42	1	O-Ring
24	103-1947	1	HYD Reservoir ASM
24:1		1	Reservoir-HYD
24:1:1	103-1948	1	Cap-Reservoir, HYD
24:1:2	103-1949	1	Gasket-Cap
24:2	1-523552	1	Decal-Tank, HYD
25	103-3071-03	1	Stand-Reservoir
26	322-3	1	Screw-HH
27	321-3	2	Screw-HH
29	103-3077	1	HYD Hose ASM
30	103-2930	1	HYD Hose ASM
32	103-2889	1	Filter Head ASM
32:1	103-1912	2	Adapter-Straight
32:1:1	237-42	1	O-Ring
33	32128-20	2	Nut-HF
34	1-633750	1	Filter-HYD
34	1-633752	1	Filter-Hyd, Winter
35	321-6	2	Screw-HH
36	1-805004	2	Washer-Lock
37	103-1716	3	Clamp-Hose
38	322-5	1	Screw-HH
39	103-3809	2	Hose-LH
40	1-603991	2	Fitting-Straight
40:1	237-80	1	O-Ring

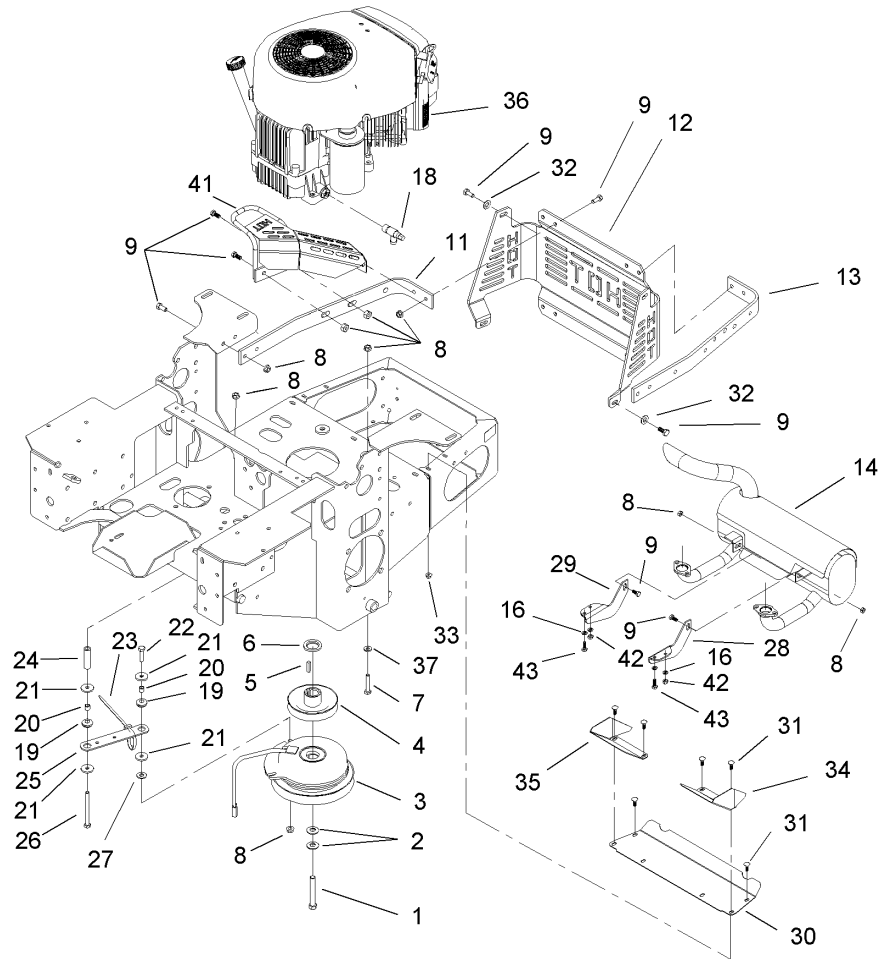






### Pump Idler and Belt Assembly

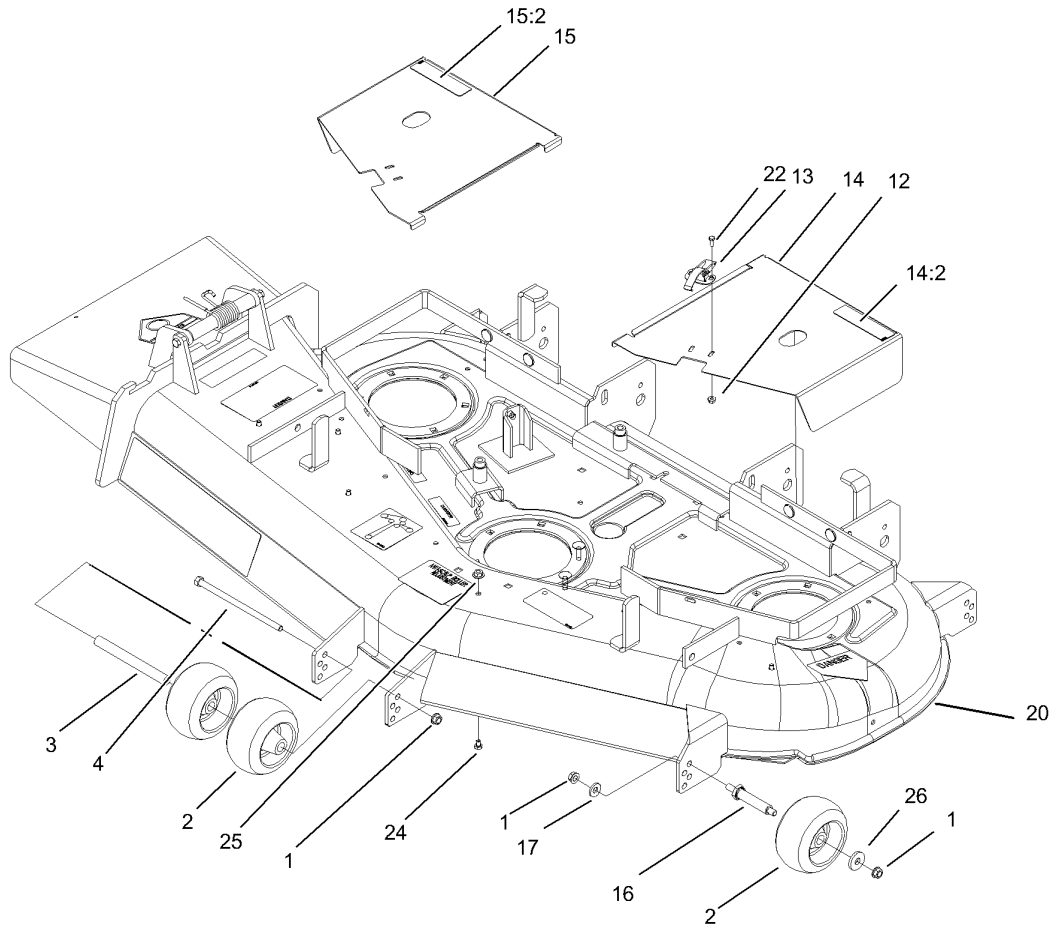
Ref	Part No.	Qty.	Description				
1	323-13	1	Screw-HH				
2	3256-4	1	Washer-Flat				
3	1-603044	1	Bushing				
4	302-40	1	Fitting-Grease				
5	3290-357	2	Nut-HHF				
6	103-4480	1	Spring-Extension				
7	323-9	2	Screw-HH				
8	63-8410	1	Washer				
9	98-5975	1	Washer-Belleville				
10	3296-39	1	Nut-Lock, NI				
11	3256-24	1	Washer-Flat				
12	1-603843	1	Pulley-Idler				
14	103-4761	1	Belt				
15	103-4482	1	Idler Arm ASM				
15:1	103-4681	2	Sleeve-Bearing				
17	3234-11	1	Screw-HHF				



## Engine, Clutch and Muffler Assembly

Ref	Part No.	Qty.	Description
1	3212-10	1	Screw-HH
2	1-603610	2	Washer-Spring
3	103-0690	1	Clutch
4	103-3913	1	Sheave W/ Hub
5	1-807259	1	Key
6	103-2308	1	Spacer-Crankshaft
7	322-9	4	Screw-HH
8	32128-20	33	Nut-HF
9	322-3	23	Screw-HH
11	103-3078-03	1	Strap-Guard, RH Engine
12	103-3219-03	1	Guard-Rear
13	103-3164-03	1	Strap-Guard, LH Engine
14	103-2760	1	Muffler
16	1-805004	4	Washer-Lock
18	103-1963	1	Valve-Drain, Oil
19	1-633630	2	Grommet-Brake
20	1-633545	2	Spacer
21	1-613235	4	Washer
22	322-6	1	Screw-HH
23	1-303335	2	Tie-Plastic
24	103-2614	1	Spacer
25	1-633543-03	1	Strap-Clutch, Brake
26	322-22	1	Screw-HH
27	3256-3	3	Washer-Flat

Ref	Part No.	Qty.	Description
28	103-2987-03	1	Bracket-Muffler, LH
29	103-2988-03	1	Bracket-Muffler, RH
30	103-2740-03	1	Deflector-Short
31	3229-10	6	Screw-CARR
32	3256-23	4	Washer-Flat
33	32128-33	6	Nut-HF
34	103-3094-03	1	Deflector-Air, LH
35	103-3095-03	1	Deflector-Air, RH
36		1	Engine-Kohler, Cv20s Pro-65593
37	1-303334	2	Washer-Spring
41	103-3218-03	1	Guard-Tailpipe
42	33013-00	2	Nut-Hex
43	33113-020	2	Screw-HH

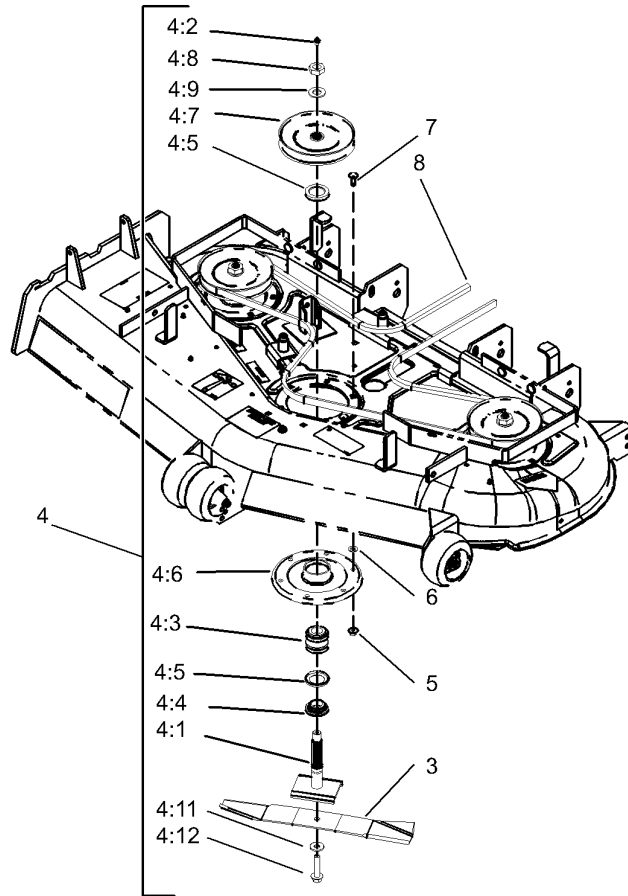


## Deck and Wheel Gage Assembly

Ref	Part No.	Qty.	Description
1	3290-357	7	Nut-HHF
2	68-2730	5	Wheel-Gage
3	98-5967	1	Spacer
4	323-28	1	Screw-HH
12	32128-17	4	Nut-Lock, Flange
13	249-21	2	Clamp-Slotted
14	99-3896	1	LH Cover ASM
14:2	67-5360	1	Decal-Danger
15	99-3895	1	RH Cover ASM
15:2	67-5360	1	Decal-Danger
16	99-2842	3	Spacer
17	98-5975	3	Washer-Belleville
20	106-5876	1	Deck ASM
22	3290-321	4	Screw-HWH
24	321-1	6	Screw-HH
25	32128-33	6	Nut-HF
26	1-373034	3	Washer

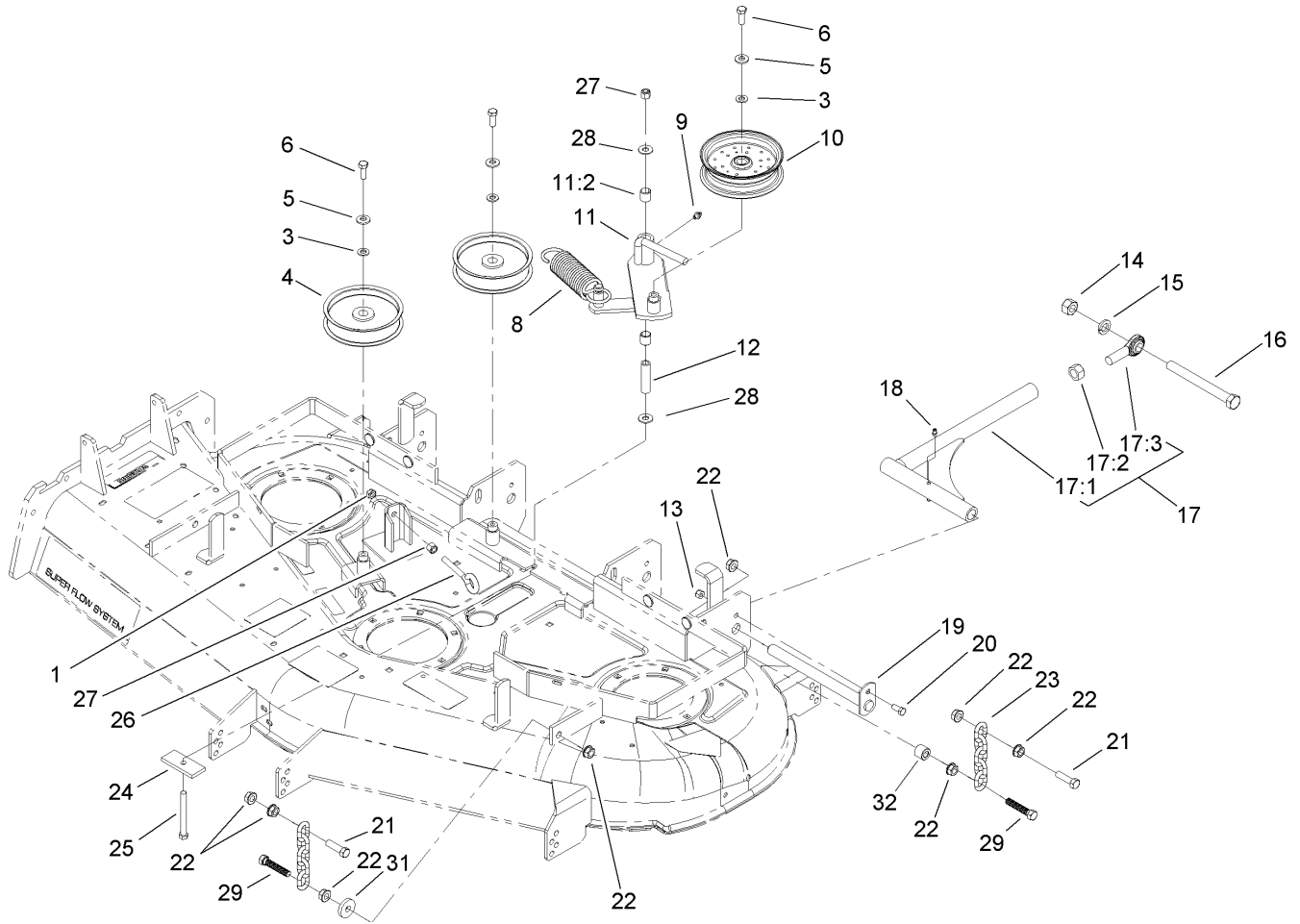
--	--	--	--





### Deck Spindle Assembly

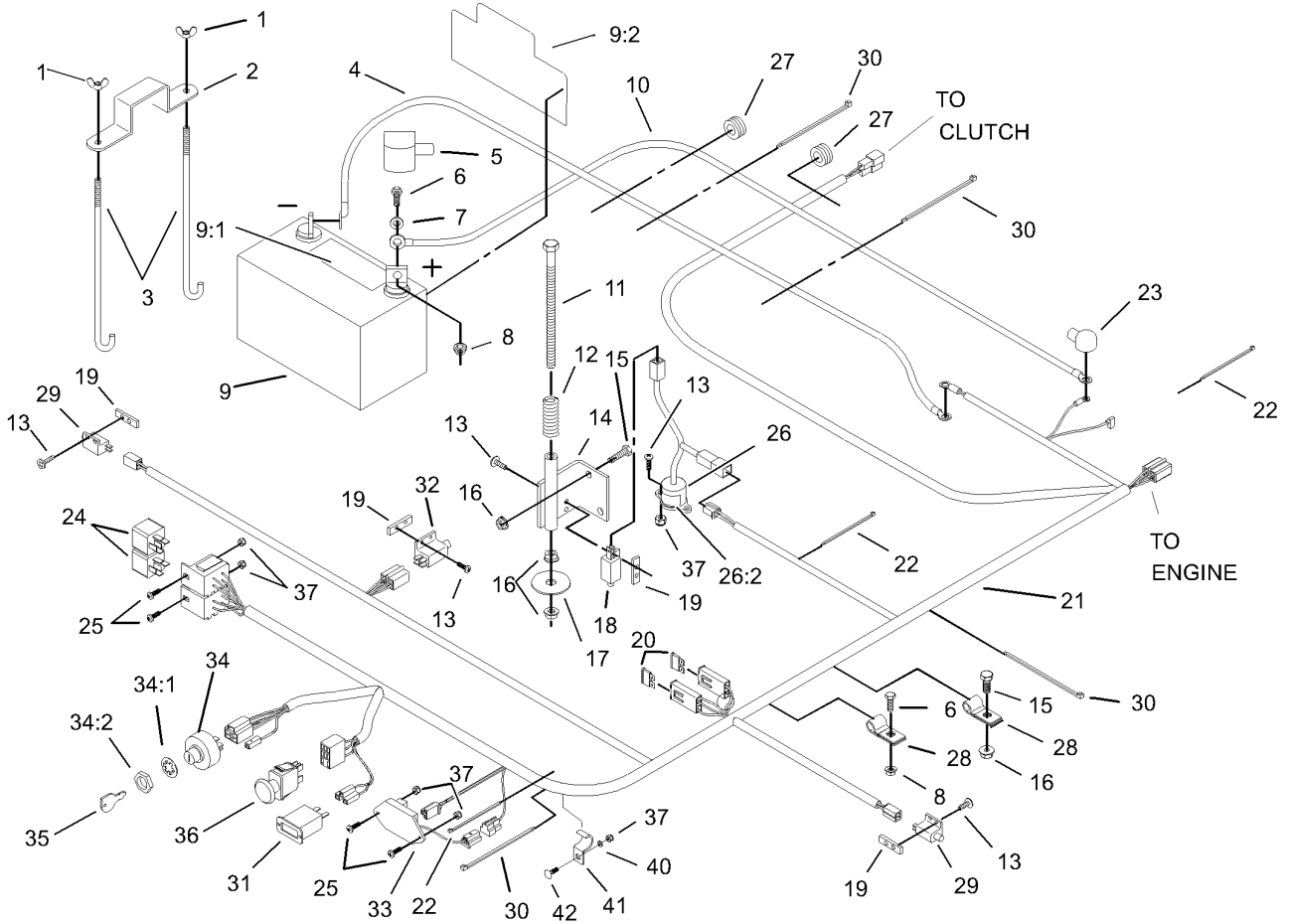
Ref	Part No.	Qty.	Description				
3	56-2390	3	Blade-Sail, Extra High				
4	100-3976	3	Spindle Housing ASM				
4:1	100-3972	1	Spindle Shaft ASM				
4:2	302-2	1	Fitting-Grease				
4:3	46-8530	1	Bearing ASM				
4:4	27-0950	1	Spacer				
4:5	253-139	2	Seal-Oil				
4:6	61-4160	1	Housing-Spindle				
4:7	100-3970	1	Pulley And Hub ASM				
4:8	32146-20	1	Nut-Jam				
4:9	7-4150	1	Washer				
4:11	1-513435	1	Washer-Spring				
4:12	92-5816	1	Bolt-Blade				
5	32128-21	18	Nut-HF				
6	3256-24	6	Washer-Flat				
7	3231-22	18	Screw-CARR				
8	99-3904	1	Belt-Deck				



## Idler Pulley, Lift Strut and Chain Assembly

Ref	Part No.	Qty.	Description
1	3217-7	1	Nut-Hex
3	3256-24	3	Washer-Flat
4	1-613098	2	Pulley-Idler
5	98-5975	3	Washer-Belleville
6	323-6	3	Screw-HH
8	103-3330	1	Spring-Extension
9	302-40	1	Fitting-Grease
10	1-413099	1	Pulley-Idler
11	99-3879	1	Idler Arm ASM
11:2	1-513034	2	Sleeve-Bearing
12	1-603384	1	Bushing-Pivot, Idler
13	3296-29	2	Nut-Lock, NI
14	3217-11	2	Nut-Hex
15	3253-8	2	Washer-Lock
16	1-800344	2	Screw
17	103-1081	2	Strut ASM
17:1	103-1072-01	1	Strut
17:2	3219-6	1	Nut-Hex
17:3	1-633029	1	Balljoint-Spherical
18	302-19	4	Fitting-Grease
19	1-632199-01	2	Pin-Strut
20	322-3	2	Screw-HH
21	103-1898	8	Screw-HH
22	32128-37	16	Nut-HF

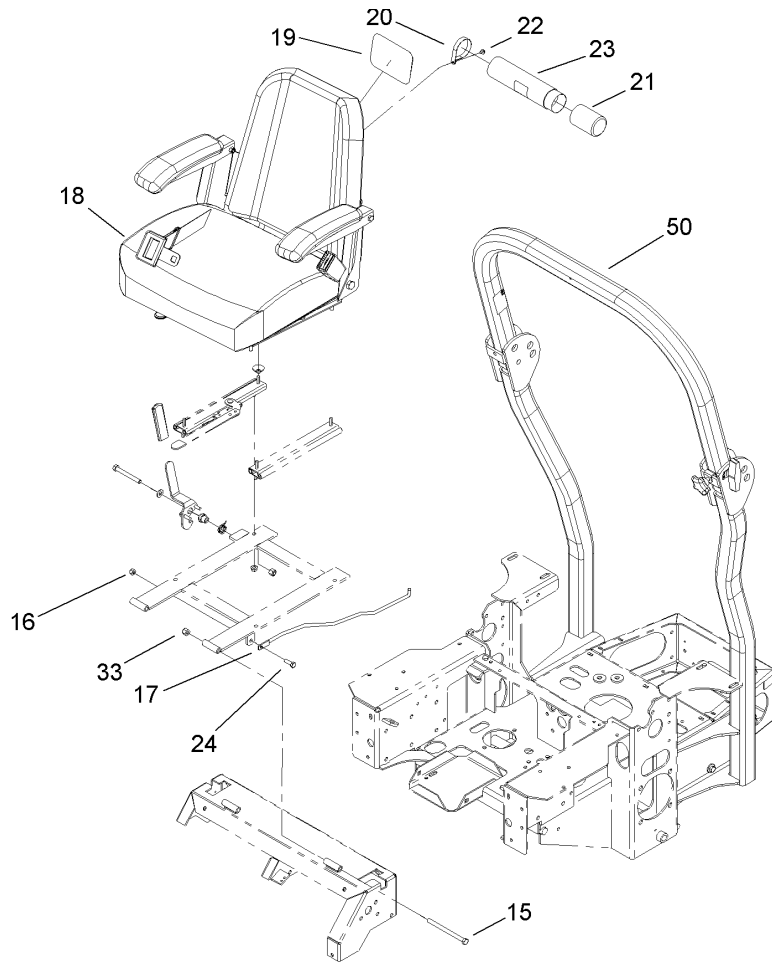
Ref	Part No.	Qty.	Description
23	1-633447	4	Chain-Lift, Deck
24	99-3946-01	1	Plate-Retainer, Bolt
25	1-800805	1	Screw-HH
26	94-2547	1	Bolt-Eye
27	3296-39	2	Nut-Lock, NI
28	1-809107	2	Washer-Hardened
29	107-3076	4	Screw HH
31	112843	2	Washer
32	100-7123	2	Spacer-Bedbar



## Electrical System Assembly

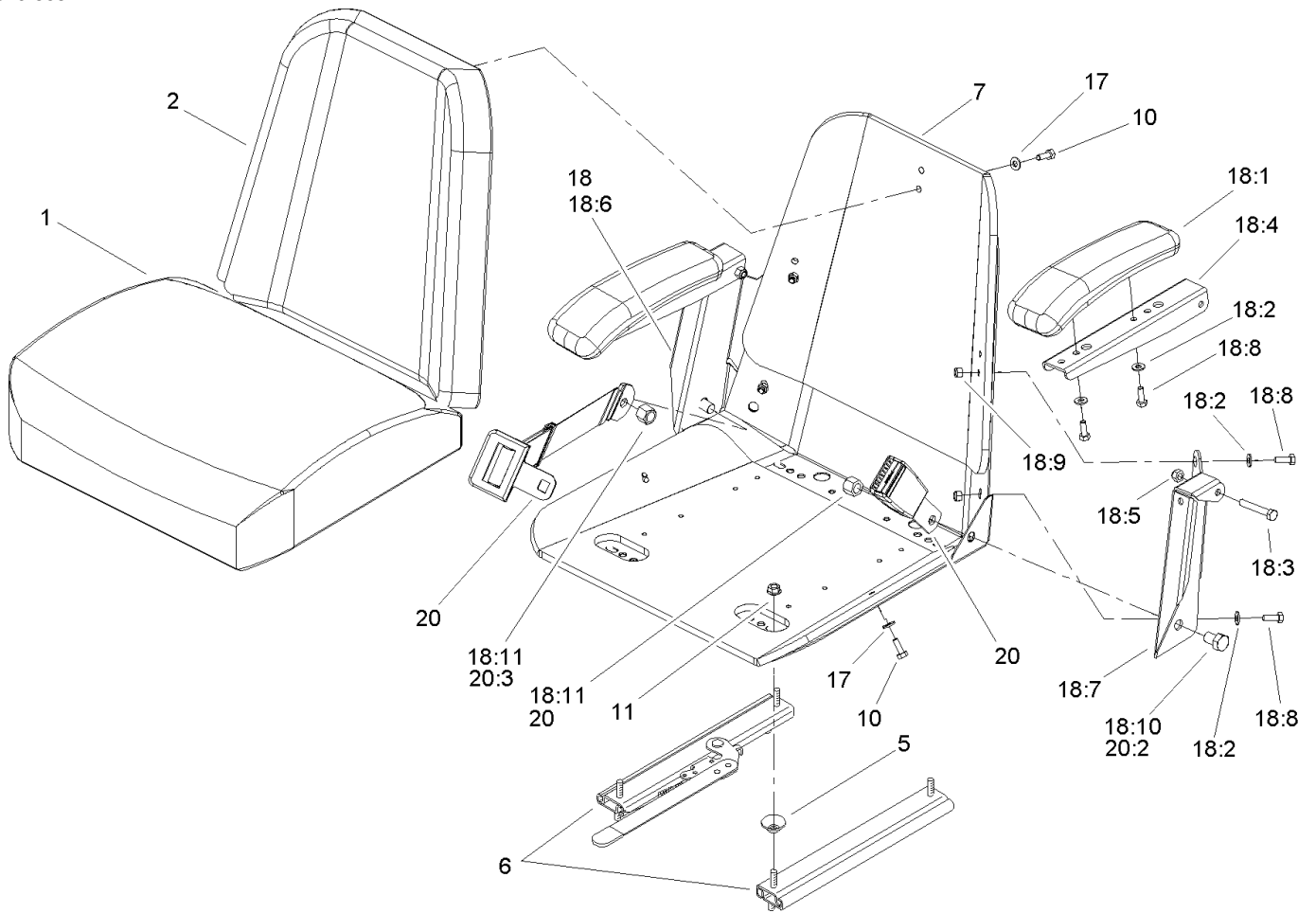
Ref	Part No.	Qty.	Description
1	1-543792	2	Wingnut
2	1-633652-03	1	Strap-Holddown
3	1-633651	2	Bolt-Holddown
4	103-0705	1	Cable-Ground, Negative
5	1-543391	1	Insulator-Battery
6	321-4	3	Screw-HH
7	3256-2	2	Washer-Flat
8	32128-33	3	Nut-HF
9	105-1692	1	Battery
9:1	104-4163	1	Decal-Battery
9:2	104-4164	1	Decal-Battery
10	1-523281	1	Wire-Starter
11	1-800282	1	Screw-HH
12	1-523415	1	Spring-Switch, Seat
13	3290-500	10	Screw-PPH
14	1-652072-03	1	Bracket-Switch, Seat
15	322-3	3	Screw-HH
16	32128-20	5	Nut-HF
17	1-653036	1	Washer
18	1-513152	1	Switch-Closed, Normally
19	1-633181	4	Plate-Tapped
20	1-816001	2	Fuse-Blade Type, 20 Amp
21	103-0595	1	Harness-Wire
22	1-303287	2	Tie-Plastic

Ref	Part No.	Qty.	Description
23	1-543393	1	Insulator-Solenoid
24	1-643275	2	Relay
25	1-807513	4	Bolt-CARR
26	1-644427	1	Tilt Switch ASM
26:2	1-643401	1	Decal-Switch, Mercury
27	1-543286	2	Grommet
28	1-633396	2	Clip-Loom
29	1-513051	2	Switch-Open, Normally
30	1-303335	4	Tie-Plastic
31	1-513374	1	Meter-Hour
32	1-633111	1	Switch
33	100-6186	1	Module-Delay, Seat
34	88-9830	1	Key Switch ASM
34:1	3254-5	1	Washer-Tooth
34:2	218-461	1	Nut-HH
35	63-8360	2	Key-Ignition
36	1-633673	1	Switch-Delta
37	3296-2	7	Nut-Lock
40	3256-14	1	Washer-Flat
41	103-1193	1	Clip-Half, Loom
42	1-807533	1	Bolt-CARR



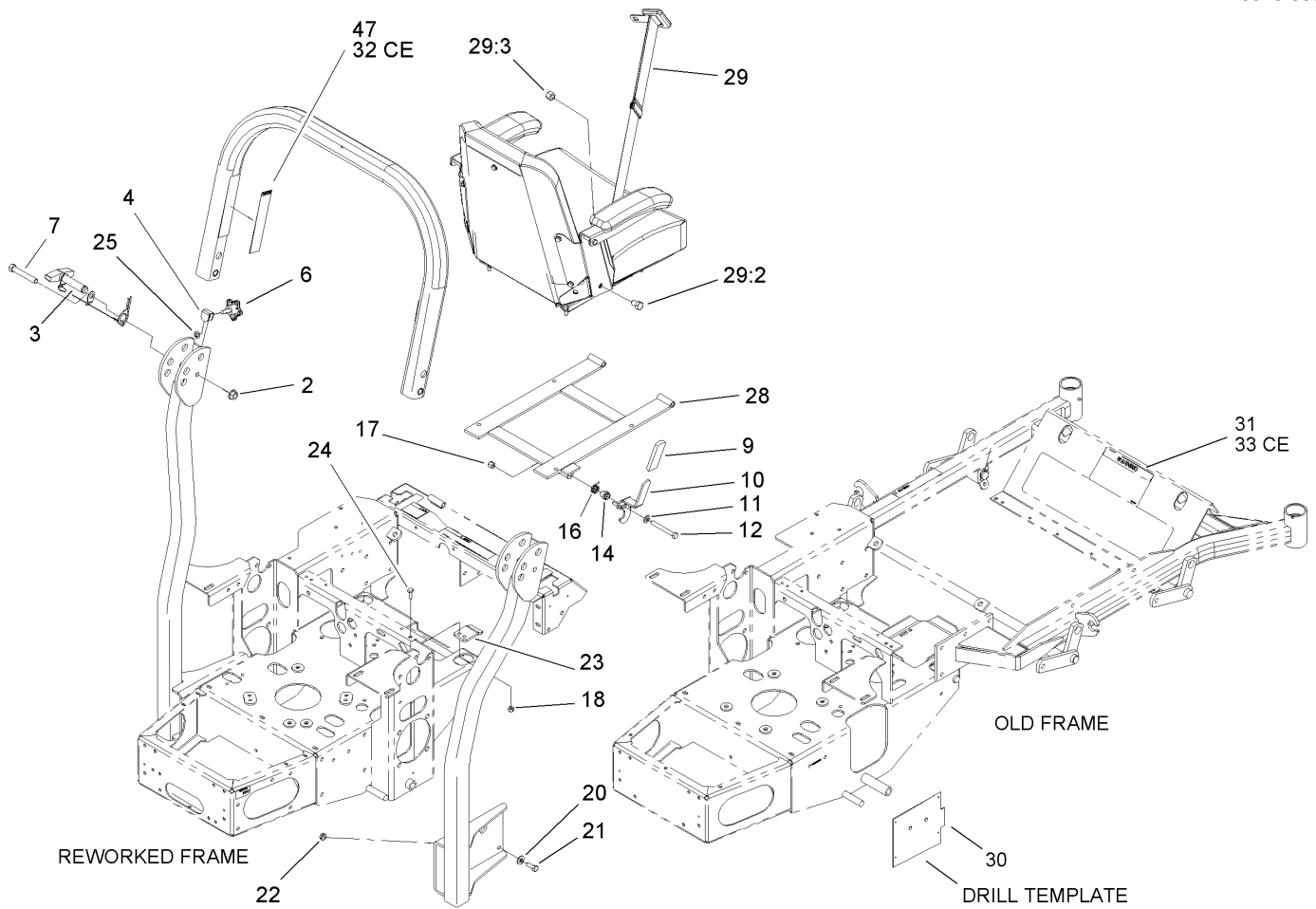
## Seat and Roll-Over-Protection-System Assembly

Ref	Part No.	Qty.	Description				
15	323-39	2	Screw-HH				
16	3296-29	3	Nut-Lock, NI				
17	103-1731	1	Rod-Retainer, Seat				
18	107-1867	1	Seat ASM				
19	99-4693	1	Decal				
20	2412-120	2	R-Clamp				
21	104-7048	1	Cap-Housing				
22	32104-76	2	Screw				
23	104-7050	1	Housing-Manual				
24	322-5	1	Screw-HH				
33	3296-39	3	Nut-Lock, NI				
50	107-3066	1	Rops ASM				



### Seat Assembly No. 107-1867

Ref	Part No.	Qty.	Description
1	103-0290	1	Cushion-Seat, Bottom
2	104-7754	1	Cushion-Seat, Back
5	1-543401	4	Spacer-Track
6	1-643255	1	Track-Seat
7	1-633859	1	Frame-Seat
10	321-30	11	Screw-HH
11	32128-20	4	Nut-HF
17	3256-22	11	Washer-Flat
18	105-3620	1	Armrest Kit
18:1	1-633710	2	Cushion-Armrest
18:2	3256-22	4	Washer-Flat
18:3	322-10	2	Screw-HH
18:4	105-3623	2	Channel-Armrest
18:5	32153-3	2	Nut-Lock
18:6	105-3621	1	Bracket-Armrest, RH
18:7	105-3622	1	Bracket-Armrest, LH
18:8	321-30	6	Screw-HH
18:9	3296-42	4	Nut-Lock, NI
18:10	325-2	2	Screw-HH
18:11	3296-23	2	Nut-Lock, NI
20	103-4469	1	Seatbelt Kit
20:2	3212-4	2	Screw-HH
20:3	3296-38	2	Nut-Lock NI

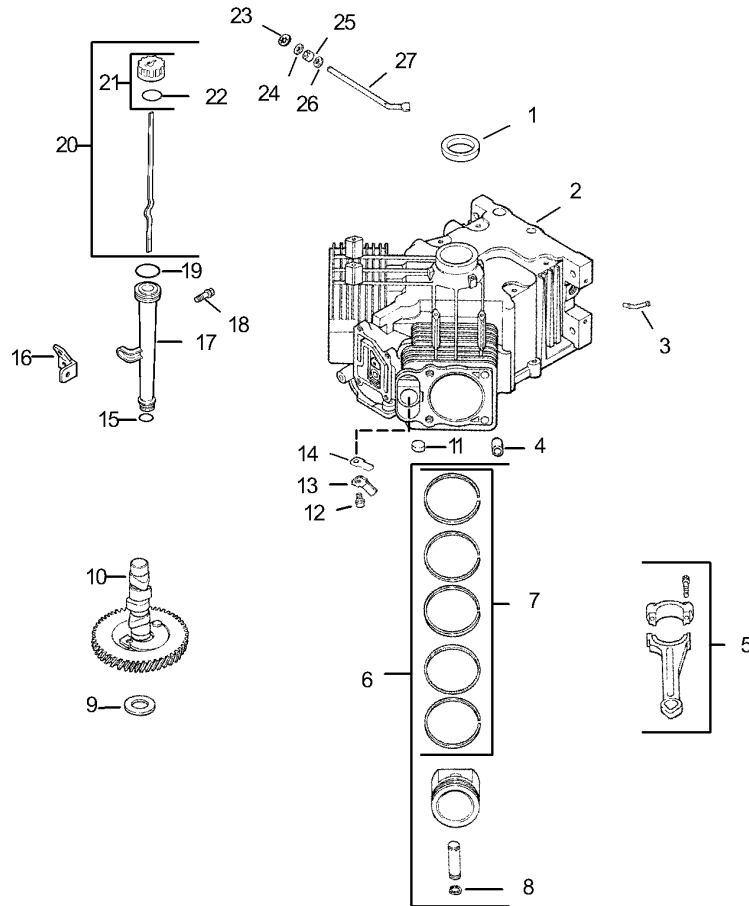



## Roll-Over Protection System Assembly No. 107-3066

Ref	Part No.	Qty.	Description
2	32128-23	2	Nut-HF
3	107-3060	2	Pin Latch ASM
4	107-3124	2	Clip
6	106-0887	2	Knob
7	325-13	2	Screw-HH
9	62-9130	1	Grip-Handle
10	107-3083	1	Latch ASM
11	3256-24	1	Washer-Flat
12	323-20	1	Screw-HH
14	107-0075	1	Bushing-Latch, Seat
16	107-0076	1	Spring-Torsion
17	3296-39	1	Nut-Lock, NI
18	3296-29	2	Nut-Lock, NI
20	98-5975	8	Washer-Belleville
21	323-6	8	Screw-HH
22	3290-357	8	Nut-HHF
23	107-3059	1	Catch-Latch, Seat
24	322-4	2	Screw-HH
25	107-3154	2	Nut-Push
28	107-3052-03	1	Frame-Support, Seat
29	103-4469	1	Seatbelt Kit
29:2	3212-4	2	Screw-HH
29:3	3296-38	2	Nut-Lock NI
30	107-3079	1	Template-Mount, Rops

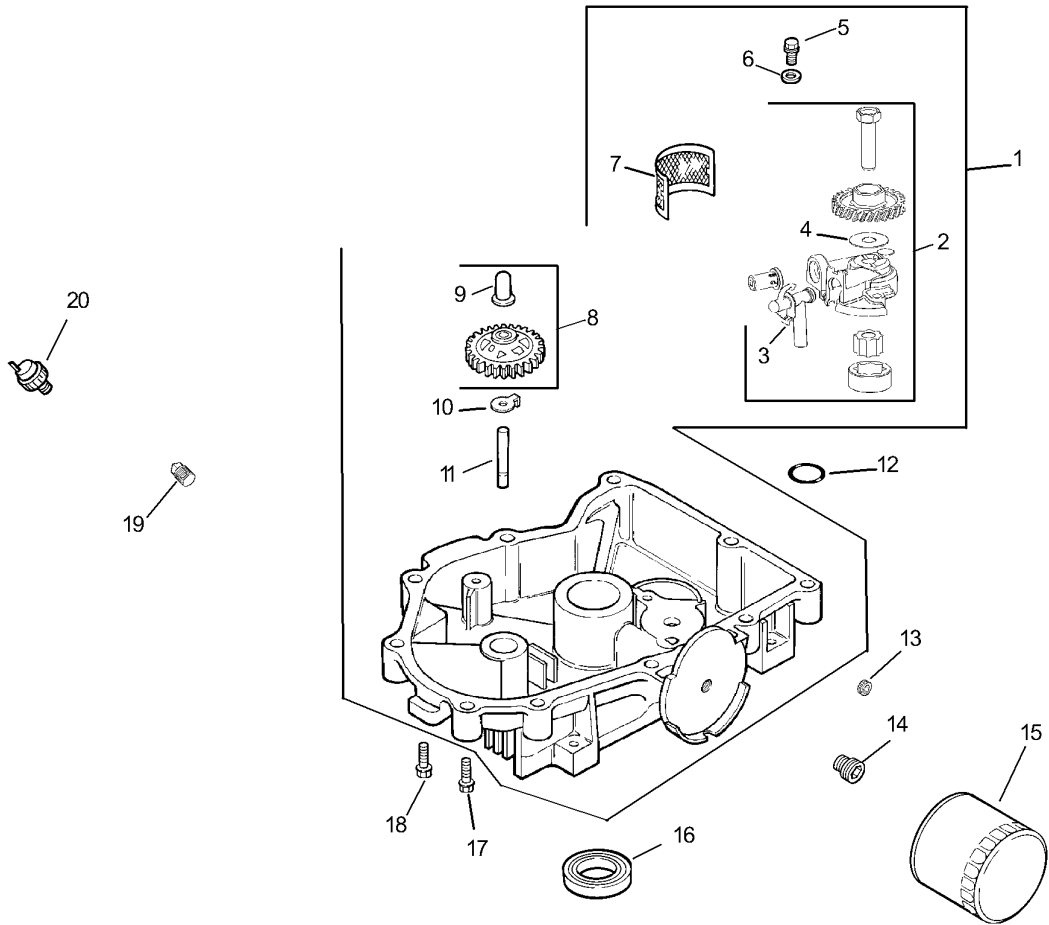
Ref	Part No.	Qty.	Description
31	107-2112	1	Decal-Warning
32	107-3069	1	Decal-Warning, Folding Rops Ce
33	107-1866	1	Decal-Danger, Slope
47	107-2102	1	Decal-Warning, Folding Rops





## Crankcase Assembly Kohler CV20S PRO-65593

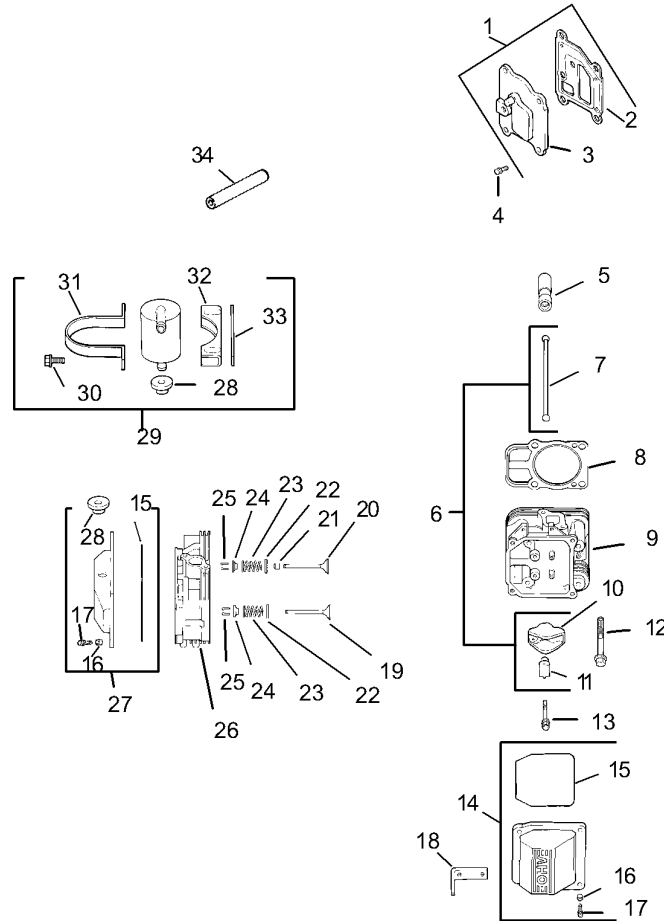
Ref	Part No.	Qty.	Description	Ref	Part No.	Qty.	Description
1	24 032 01-S	1	Seal-Oil	12	M-545010-S	2	Nut-HF
2	N/A	1	Bolt-Thru	13	24 018 04-S	2	Retainer-Reed
3	24 294 13-S	1	Fitting	14	24 402 05-S	2	Reed, Breather
4	24 380 13-S	6	Pin-Locating	15	12 153 01-S	1	O Ring-Lower Fill Tube
5	24 067 13-S	2	Rod-Connecting (Std)	16	24 126 19-S	1	Bracket-Tube, Oil Fill
6	24 067 14-S	2	Rod-Connecting (.25)	17	12 123 04-S	1	Tube-Oil Fill
7	24 874 17-S	2	Piston W/ring Set (Std.)(Includes 7, 8)	18	M-545016-S	1	Screw-HF
8	24 874 14-S	2	Piston W/ring (.08)	19	12 153 02-S	1	O Ring-Upper Fill Tube
9	24 874 18-S	2	Set-Piston W/ring(.25)	20	24 038 04-S	1	Dipstick Assembly (Includes 21, 22)
10	24 874 19-S	2	Set-Piston W/ring(.50)	21	25 755 13-S	1	Kit, Oil Fill Cap (Includes 22)
11	24 108 11-S	2	Ring Set (Std.)	22	12 153 03-S	1	O-Ring
12	24 108 12-S	2	Ring Set (.25)	23	24 018 09-S	1	Retainer-Ring
13	24 108 13-S	2	Set-Ring (.50)	24	M-931010-S	1	Washer-Flat
14	24 018 01-S	4	Retainer-Piston Pin	25	28 032 09-S	1	Seal-Governor Cross
15	12 422 09-S	1	Shim-Camshaft	26	24 468 15-S	1	Washer
16	12 422 13-S	1	Shim-Camshaft	27	24 144 38-S	1	Shaft, Governor Cross
17	12 422 07-S	1	Shim-Camshaft				
18	12 422 08-S	1	Shim-Camshaft				
19	12 422 10-S	1	Shim-Camshaft				
20	12 422 11-S	1	Shim-Camshaft				
21	12 422 12-S	1	Shim-Camshaft				
22	24 012 10-S	1	Camshaft (Includes 11, 12)				
23	52 139 09-S	1	Plug-Cup				



## Oil Pan/Lubrication Assembly Kohler CV20S PRO-65593

Ref	Part No.	Qty.	Description
❶	24 199 07-S	1	Pan, Oil Assembly (Includes 2-10)
❷	24 393 37-S	1	Pump Assembly, Oil Before Sn 3229000001
❸	24 393 37-S	1	Pump Assembly, Oil (Includes 3, 4) For Sn 3229000001 And Later
❹	24 381 11-S	1	Tube, Oil Pickup
❺	24 153 01-S	1	"o"ring
❻	M-645025-S	2	Screw-HF
❼	M-631005-S	2	Washer-Flat
❽	24 162 26-S	1	Screen, Oil
❾	24 043 12-S	1	Kit, Governor Gear W/pin (Includes 9)
❿	12 380 01-S	1	Pin, Gvm. Regulating
⓫	52 448 02-S	1	Tab-Locking
⓬	12 144 02-S	1	Shaft-Governor Gear
⓭	24 153 08-S	1	O-Ring
⓮	25 139 62-S	1	Plug-Pipe, 3/8 HSH
⓯	24 136 01-S	1	Nipple,oil Filter
⓰	52 050 02-S	1	Filter-Oil
⓱	52 032 08-S	1	Seal-Oil
⓲	24 086 17-S	1	Screw-HF
⓳	24 086 16-S	9	Screw
⓴	25 139 57-S	1	Plug-SQH
⓵	24 099 03-S	1	Switch-Pressure

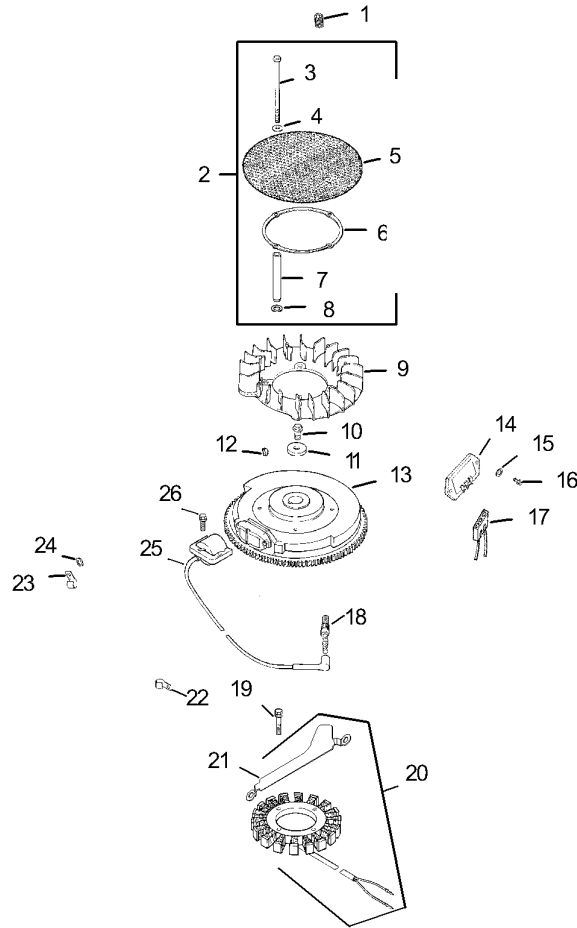
--	--	--	--



## Head/Valve/Breather Assembly Kohler CV20S PRO-65593

Ref	Part No.	Qty.	Description
1	24 033 03-S	1	Kit, Breather Cover W/gasket (Includes 2, 3)
2	24 041 23-S	1	Gasket-Breather
3	24 096 87-S	1	Cover, Breather
4	M-645020-S	4	Screw-HF
5	25 351 01-S	4	Lifter-Valve
6	24 755 66-S	1	Kit, Valve Train (Includes 7, 10, 11)
7	24 411 05-S	4	Rod-Push
8	24 041 08-S	2	Gasket-Cylinder Head
9	24 318 12-S	1	Head Assembly, #2 Cylinder
10	25 186 01-S	4	Arm-Rocker
11	24 599 01-S	4	Pivot-Rocker Arm
12	12 086 16-S	8	Screw
13	M-640034-S	4	Screw-HF
14	24 755 75-S	1	Kit, Valve Cover Plain (Includes 15-17)
15	24 153 16-S	1	O-Ring
16	24 112 08-S	4	Spacer
17	M-651030-S	4	Screw-HF
18	24 445 01-S	1	Strap-Lifting
19	24 016 01-S	2	Valve-Exhaust (Std)
20	24 016 02-S	2	Valve-Exhaust (.25)
21	24 017 01-S	2	Valve-Intake (Std)
22	24 017 02-S	2	Valve-Intake (.25)

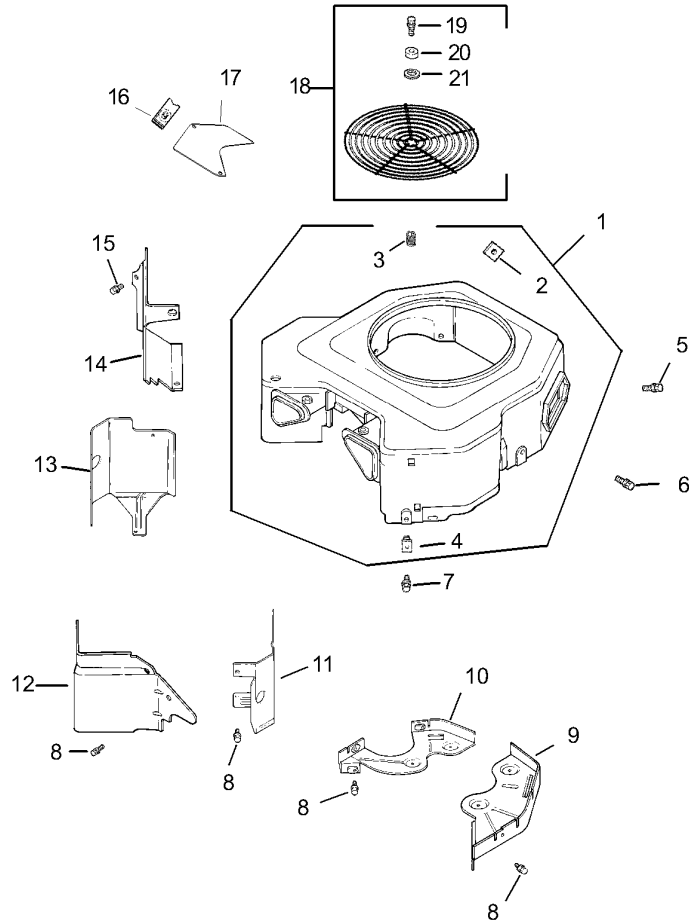
Ref	Part No.	Qty.	Description
21	24 032 05-S	2	Seal-Valve Stem
22	235011-S	4	Retainer-Spring
23	24 089 02-S	4	Spring-Valve
24	12 173 01-S	4	Cap-Valve Spring
25	12 755 03-S	4	Kit-Retainer
26	24 318 11-S	1	Head Assembly, #1 Cylinder
27	24 755 76-S	1	Kit, Valve Cover/breather (Includes 15-17, 28)
28	25 313 03-S	1	Grommet, Rubber
29	24 755 57-S	1	Kit, Breather Separator (Includes 28, 30-33)
30	M-545016-S	2	Screw-HF
31	24 445 02-S	1	Strap, Breather
32	24 126 44-S	1	Bracket, Breather Separator
33	24 112 12-S	1	Spacer
34	24 326 54-S	1	Hose, Breather



## Ignition/Electrical Assembly Kohler CV20S PRO-65593

Ref	Part No.	Qty.	Description
1	25 086 43-S	1	Screw-Set
2	24 755 79-S	1	Kit, Chopper Screen (Includes 3-8, and 41 037 10-S)
3	M-603100-S	4	Screw-HH
4	X-25-53-S	4	Washer
5	24 162 25-S	1	Screen-Grass
6	24 141 06-S	1	Ring-Support
7	24 112 14-S	4	Spacer
8	24 468 11-S	1	Washer-Spring
9	24 157 08-S	1	Fan
10	12 086 14-S	1	Screw
11	12 468 03-S	1	Washer
12	X-42-15-S	1	Key
13	24 025 01-S	1	Flywheel
14	25 403 03-S	1	Rectifier-Regulator
15	X-25-92-S	2	Washer
16	24 086 18-S	2	Screw
17	236602-S	1	Connector
18	12 132 06-S	2	Plug-Spark
19	M-548025-S	2	Screw-Hex Cap
20	54 755 09-S	1	Kit, 15 Amp Stator (Includes 21)
21	24 126 71-S	1	Bracket-Stator Wire
22	235173-S	1	Clip-Cable
23	48 154 02-S	1	Clip-Cable

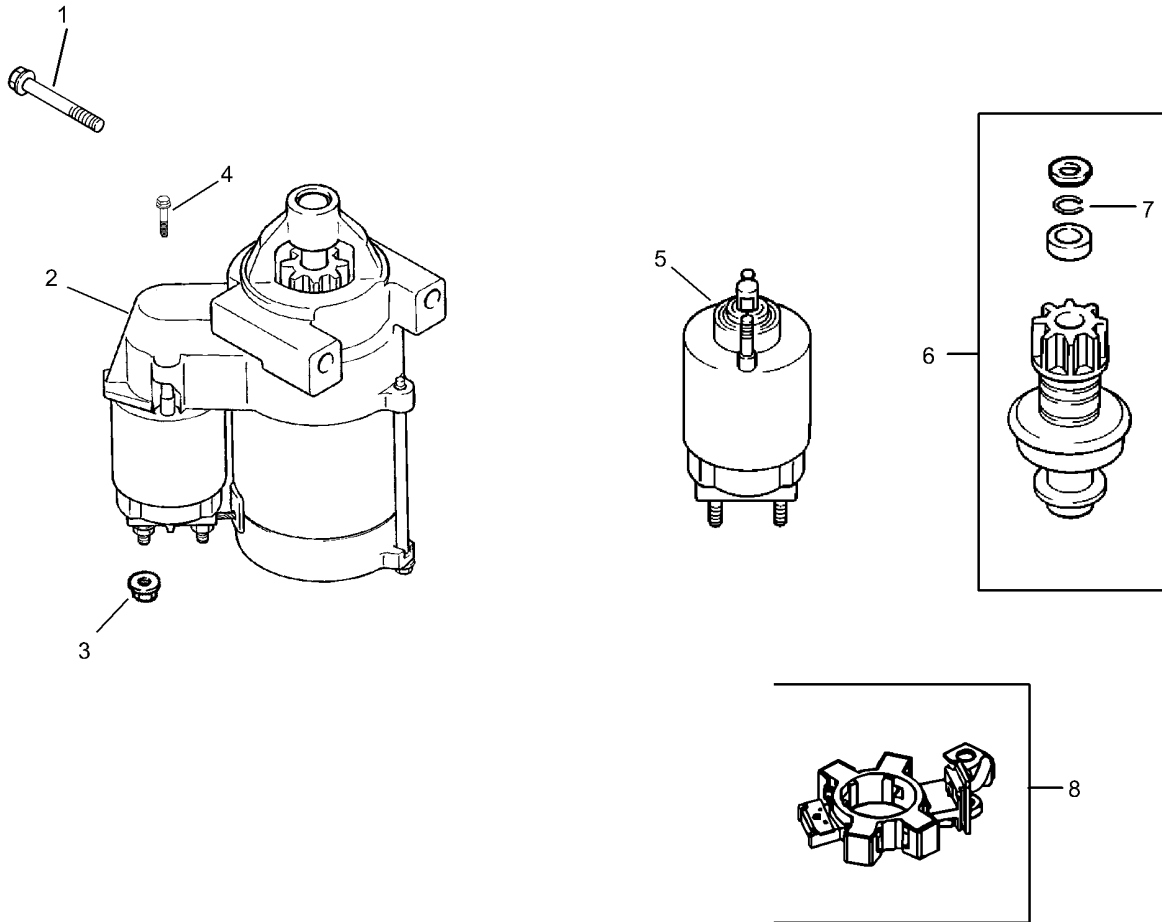
Ref	Part No.	Qty.	Description
24	X-25-63-S	1	Washer
25	24 584 25-S	2	Kit, Ignition Module
26	M-561025-S	4	Screw-HSH
18	X-22-11-S	1	Washer-Lock
18	24 176 109-S	1	Harness, Wiring
18	24 518 12-S	1	Lead-Black
18	24 113 18-S	1	Decal-Screen, Grass
18	25 454 03-S	3	Tie



## Blower Assembly Kohler CV20S PRO-65593

Ref	Part No.	Qty.	Description
❶	24 027 119-S	1	Housing, Blower (Includes 2-4 & 24 332 01-S)
❷	24 100 01-S	2	Nut
❸	25 086 43-S	1	Screw-Set
❹	24 100 02-S	2	Nut-Plastic
❺	M-551016-S	1	Screw-HF
❻	M-545016-S	3	Screw-HF
❼	M-545020-S	4	Screw-HF
❽	M-645016-S	10	Screw-HF
❾	24 146 16-S	1	Plate-Backing, #2 Side
❿	24 146 20-S	1	Plate-Backing, #1 Side
⓫	24 063 20-S	1	Baffle-Cylinder Barrel, #2 Side
⓬	24 063 14-S	1	Baffle, Valley-#2 Side
⓭	24 063 58-S	1	Baffle-Cylinder, #2 Side
⓮	24 063 60-S	1	Baffle, Valley-No.1 Side
⓯	M-545010-S	2	Nut-HF
⓰	24 096 63-S	2	Panel, Access
⓱	25 154 02-S	4	Clip
⓲	24 755 94-S	1	Kit, Guard (Includes 19-21 & 24 332 01-S)
⓳	24 086 39-S	3	Screw, Pan Hd.
⓴	24 112 09-S	3	Spacer
⓵	24 468 10-S	3	Washer-Plain
⓶	24 332 01-S	3	Insert-Threaded

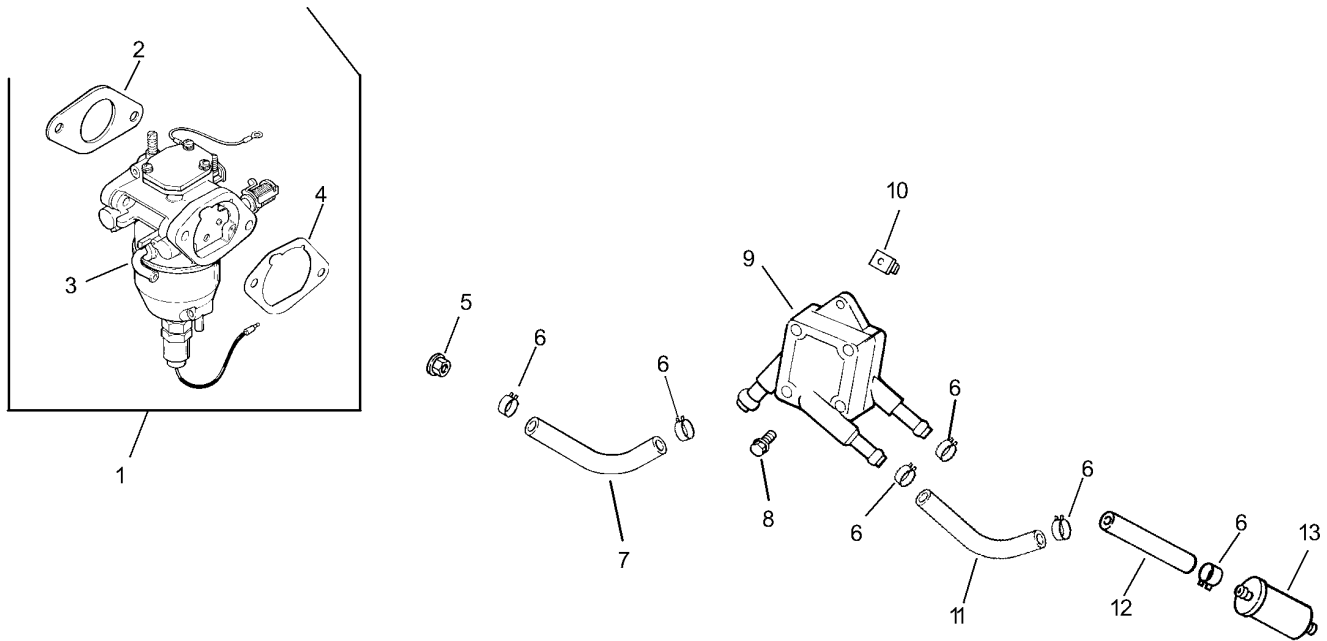
Ref	Part No.	Qty.	Description
⓷	24 113 95-S	1	Decal-Hp



## Starter Assembly Kohler CV20S PRO-65593

Ref	Part No.	Qty.	Description
1	M-839080-S	2	Screw-HF
2	25 098 09-S	1	Starter, Solenoid Shift (Includes 3-8)
3	M-841080-S	1	Nut-HF
4	25 086 113-S	3	Screw-External Torx Head
5	25 435 05-S	1	Kit, Solenoid (Includes 4)
6	25 755 33-S	1	Kit, Drive (Includes 7)
7	25 141 05-S	1	Ring
8	25 221 01-S	1	Brush Kit

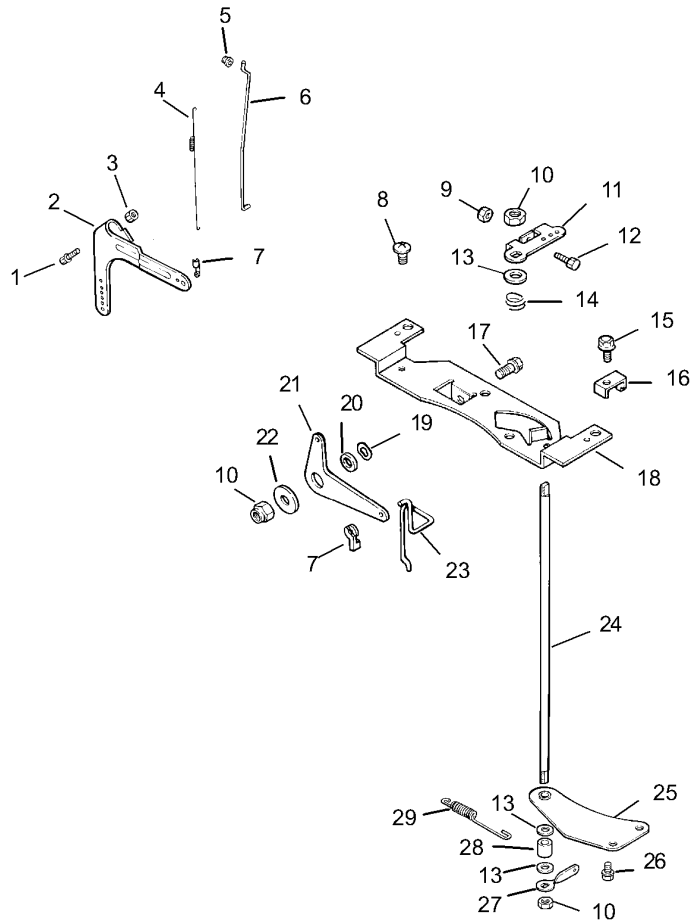
--	--	--	--



## Fuel System Assembly Kohler CV20S PRO-65593

Ref	Part No.	Qty.	Description
1	24 853 99-S	1	Kit, Carburetor W/gaskets (Includes 2-4)
2	24 041 15-S	1	Gasket, Carburetor
3	24 053 99	1	Carburetor Assembly (For Information Only Not Available Separately)(Service With Kits 24 234 02-S, 24 757 18-S, 24 757 19-S, 24 757 20-S, 24 757 21-S And 24 757 22-S)
4	24 041 14-S	1	Gasket, Air Cleaner
5	M-641060-S	2	Nut-HF
6	25 237 14-S	6	Clamp-Hose
7	25 353 04-S	1	Line, Fuel 6-1/4
8	24 086 12-S	2	Screw
9	24 393 16-S	1	Pump-Fuel
10	24 100 01-S	2	Nut
11	24 353 03-S	1	Line, Fuel 10-1/2"
12	52 353 22-S	1	Line, Fuel 12"
13	24 050 02-S	1	Filter-Fuel
14	24 234 02-S	1	Bowl, Float
15	24 431 01-S	1	Sleeve-Insulating
16	24 757 18-S	1	Kit, Overhaul W/gaskets
17	24 757 19-S	1	Kit, Choke Repair W/gaskets
18	24 757 20-S	1	Kit, Gasket W/gaskets
19	24 757 21-S	1	Kit, Accelerator Pump W/gaskets

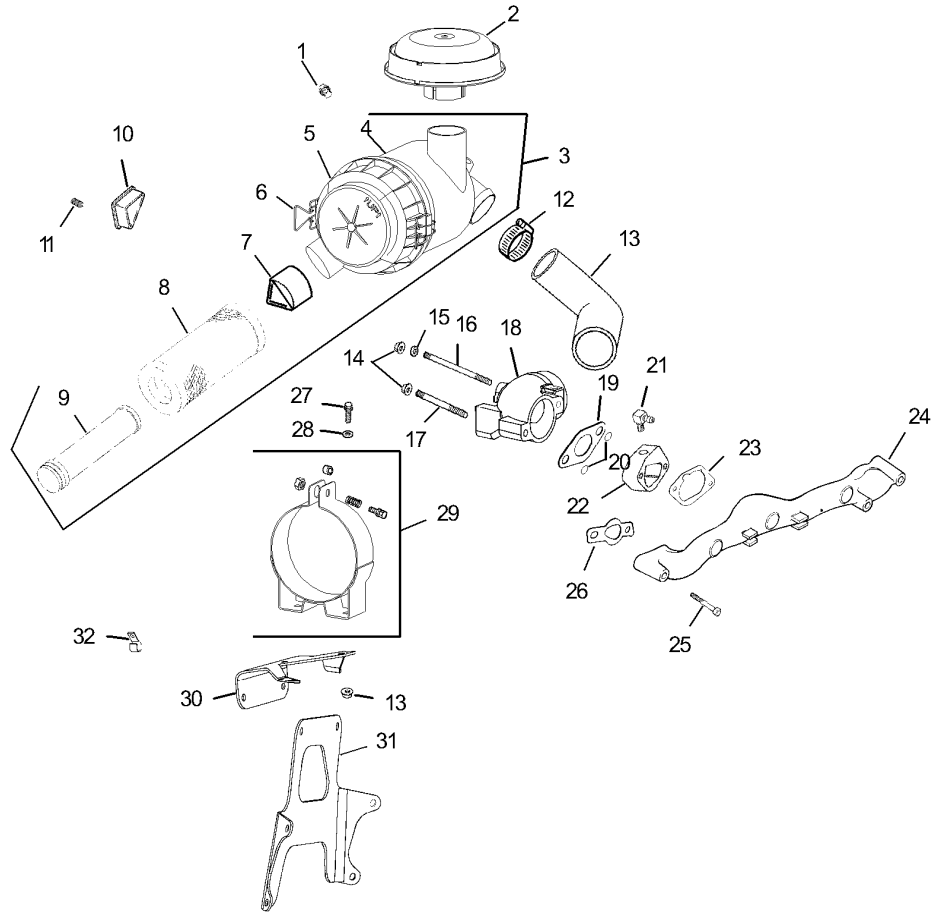
Ref	Part No.	Qty.	Description
20	24 757 22-S	1	Kit, Solenoid Replacement W/gaskets



## Engine Control Assembly Kohler CV20S PRO-65593

Ref	Part No.	Qty.	Description
1	24 211 03-S	1	Bolt
2	24 090 33-S	1	Lever-Governor
3	M-641060-S	1	Nut-HF
4	24 089 01-S	1	Spring-Linkage
5	25 158 08-S	1	Bushing
6	24 079 04-S	1	Linkage, Throttle
7	25 158 11-S	2	Bushing
8	24 086 06-S	2	Screw
9	M-446030-S	1	Nut-HF
10	M-647060-S	3	Nut, Hex Lock
11	24 090 09-S	1	Lever, Throttle Control
12	M-401030-S	1	Screw
13	X-25-72-S	3	Washer, Plain 1/4"
14	24 089 20-S	1	Spring, Throttle Shaft
15	M-545016-S	2	Screw-HF
16	12 237 01-S	2	Clamp-Cable
17	M-639016-S	1	Screw-HF
18	24 126 111-S	1	Bracket, Control
19	277341-S	1	Washer, Spring 3/8"
20	25 431 01-S	1	Spacer
21	24 090 20-S	1	Lever, Choke
22	X-25-52-S	1	Washer
23	24 079 10-S	1	Linkage, Choke
24	24 144 11-S	1	Shaft, Throttle

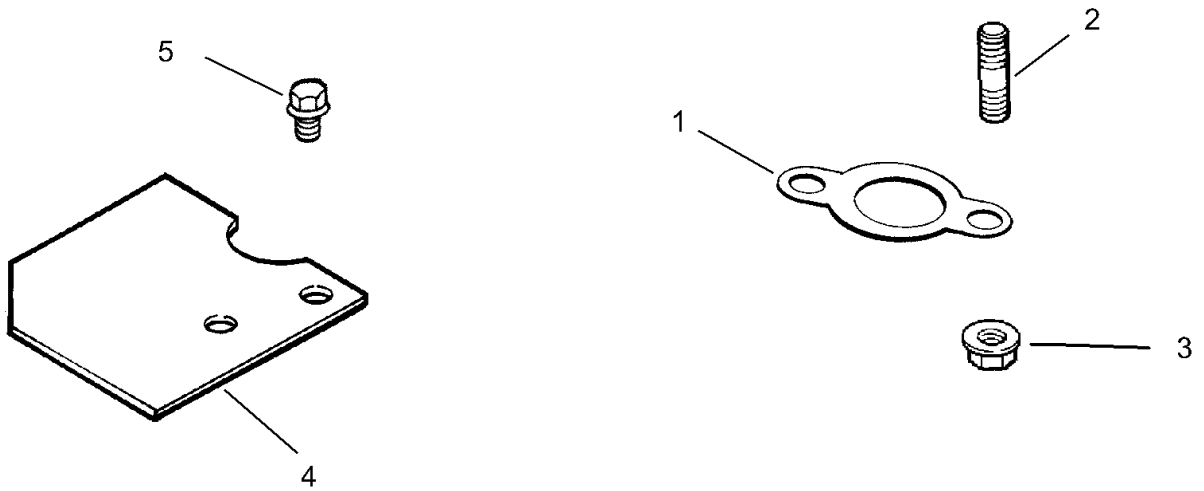
Ref	Part No.	Qty.	Description
25	24 126 17-S	1	Bracket, Throttle Shaft
26	M-645016-S	3	Screw-HF
27	24 090 12-S	1	Lever, Throttle Control
28	24 112 10-S	1	Spacer
29	24 089 45-S	1	Spring-Governor



## Air Intake/Filtration Assembly Kohler CV20S PRO-65593

Ref	Part No.	Qty.	Description
❶	25 139 20-S	1	Plug, Pipe
❷	25 324 02-S	1	Hood, Air Cleaner
❸	25 048 07-S	1	Assembly, Air Cleaner (Includes 4-9)
❹	25 081 01-S	1	Housing, Heavy Duty Aircleaner
❺	25 096 06-S	1	Cover ASM
❻	25 154 05-S	2	Clip
❼	24 462 07-S	1	Valve, Dust Ejector
❽	25 083 01-S	1	Element, Air-Primary
❾	25 083 04-S	1	Element, Air-Safety
❿	24 096 17-S	2	Cover-Blower Housing
⓫	25 086 91-S	2	Screw, Sems Hex Cap (Used To Mount Terminal On Wiring Harness To Baffle)
⓬	25 237 07-S	2	Clamp, Hose
⓭	24 326 53-S	1	Hose, Air Cleaner
⓮	M-647060-S	4	Nut, Hex Lock
⓯	25 468 01-S	1	Washer-Copper
⓰	24 072 10-S	1	Stud M6x1.0x60
⓱	M-629140-S	1	Stud, Carburetor M6x1.0x40
⓲	24 029 43-S	1	Adapter, Elbow
⓳	24 041 44-S	1	Gasket, Air Cleaner adapter
⓴	25 153 05-S	2	O-Ring, Heavy-Duty Air Cleaner
⓵	25 155 38-S	1	Connector, Hose

Ref	Part No.	Qty.	Description
⓶	24 029 57-S	1	Adapter, Remoteheavy-Duty Air Cleaner
⓷	24 041 14-S	1	Gasket, Air Cleaner
⓸	24 164 06-S	1	Manifold, Intake
⓹	25 086 84-S	4	Screw-Hfh
⓺	24 041 01-S	2	Gasket-Intake Manifold
⓻	X-25-73-S	2	Washer-Plain
⓼	25 126 02-S	1	Air Cleaner Bracketasm,
⓽	24 126 104-S	1	Bracket, Air Cleaner Mounting
⓾	24 126 105-S	1	Bracket, Main Support
⓿	47 154 01-S	1	Clip-Cable
⓿	25 113 27-S	1	Decal, Air Cleaner
⓿	25 454 04-S	1	Tie, Wire



## Exhaust Assembly Kohler CV20S PRO-65593

Ref	Part No.	Qty.	Description
①	24 041 49-S	2	Gasket-Exhaust
②	25 072 04-S	4	Stud
③	M-841080-S	4	Nut-HF
④	24 265 09-S	2	Deflector, Heat
⑤	M-645016-S	2	Screw-HF
①②	24 072 08-S	2	Stud, Exhaust
①③	M-641060-S	2	Nut-HF
①④	24 522 226	1	Short Block
①⑤	24 782 24	1	Miniblock
①⑥	24 755 107-S	1	Gasket Set

--	--	--	--

## NOTES

