



Z148

Z Master[®] with 44in SFS Side Discharge Mower

Model No. 74199-23000001 and Up

Parts Catalog

Ordering Replacement Parts

To order replacement parts, please supply: the part number, the quantity, and the description of each part desired.

Understanding Reference Numbers

Each identified part in an illustration has a reference number. The reference number for a part also appears in the parts list, along with other information about the part.

This catalog uses two special reference number formats, one to indicate parts in a service assembly and another to indicate the quantity of a given part in an illustration.

Service Assembly Reference Numbers

Parts in service assemblies have reference numbers in the form **a:b**. The **a** represents the reference number of the entire service assembly and the **b** represents a sequential number unique to each part within the service assembly.

For example, a wheel assembly might be identified by reference number **6**, the tire by **6:1**, the valve by **6:2**, and the wheel by **6:3**. When you order the assembly identified by reference number **6**, you receive all parts identified by reference numbers **6:1**, **6:2**, and **6:3**. However, you may also order any part individually.

Reference numbers of this type appear in illustrations and in part lists.

Reference Numbers Indicating Quantity

In an illustration, if a reference number indicates more than one part, the reference number has the form **nX y**. The **n** represents the quantity of the part, the **X** is the multiplication symbol, and the **y** represents the reference number.

For example, in an illustration, the reference number **2X 37** means that two of the parts identified by reference number **37** are indicated.

Contents

Description	Page	Description	Page
Front Frame Assembly	3	Idler, Pulley/Lift Strut, Chain Assembly	19
Caster Wheel Assembly No. 1-634662	4	Electrical System Assembly	20
Front Spring Assembly No. 103-1987	5	Electrical Schematic	21
Height of Cut Assembly	6	Crankshaft Assembly – Kohler CV493S-27520	22
Main Frame Assembly	7	Crankcase Assembly	23
Seat Assembly No. 106-9964	8	Oil Pan/Lubrication Assembly	24
Fuel System Assembly	9	Head/Valve/Breather Assembly	25
Parking Brake System Assembly	10	Ignition/Electrical Assembly	26
Motion Control System Assembly	11	Blower Housing and Baffle Assembly	27
Hydraulic System Assembly	12	Starter System Assembly	28
Pump, Idler and Belt Assembly	14	Fuel System Assembly	29
Engine and Clutch Assembly	15	Engine Controls Assembly	30
Deck and Wheel Gage Assembly	16	Air Intake/Filtration Assembly	31
Deck Assembly No. 106-6565	17	Exhaust Assembly	32
Deck Spindle Assembly	18		

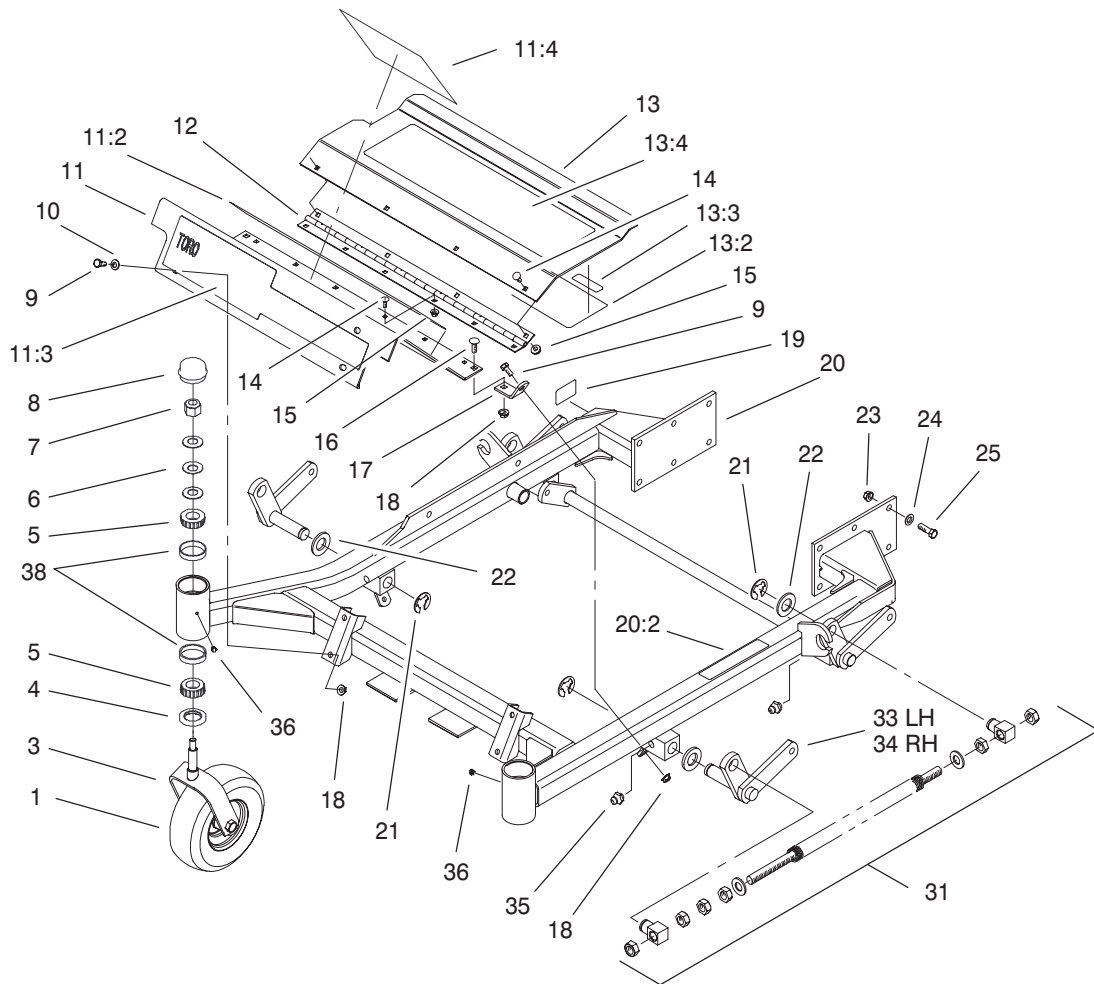
Accessories

Description	Model / Part No.	Description	Model / Part No.
Atomic Blade	104-1300	Twin Bagger Finishing Kit	78508
Striping Kit	106-3370	Steel Grass Catcher	30107
Recycler Kit	59220	Z Stand Kit	105-1621
Z Recycler Kit	57226	Hitch Kit	99-8924
High Sail Blade	55-4940-03	Filter Minder	99-4664
DFS Bagger	78490	Suspension Seat	99-8522
DFS Bagger Finishing Kit	78492	ROPS	TORO Dealer
Twin Bagger Kit	78455		

Part Description Abbreviations

Part descriptions in this catalog may include the following abbreviations.

Abbreviation	Meaning	Abbreviation	Meaning
AR	as required	HYD	hydraulic
ASM	assembly	INC	incorporated
CARR	carriage	LH	left hand
DEG	degrees	NI	nylon insert
FH	flat head	PPH	Phillips pan head
GA	gauge	PTH	Phillips truss head
HF	hex flange	PTO	power take off
HH	hex head	RH	right hand
HHF	hex head flange	SFH	slotted fillister head
HLH	hex lag head	SHH	slotted hex head
HJ	hex jam	SQH	square head
HOC	height-of-cut	SHWH	slotted hex washer head
HS	hex socket	SPH	slotted pan head
HSBH	hex socket button head	SRH	slotted round head
HSFH	hex socket flat head	STD	standard
HSH	hex socket head	TAP	self tapping
HWH	hex washer head	TTH	Torx truss head
HWHTF	hex washer head thread forming	WH	wing head

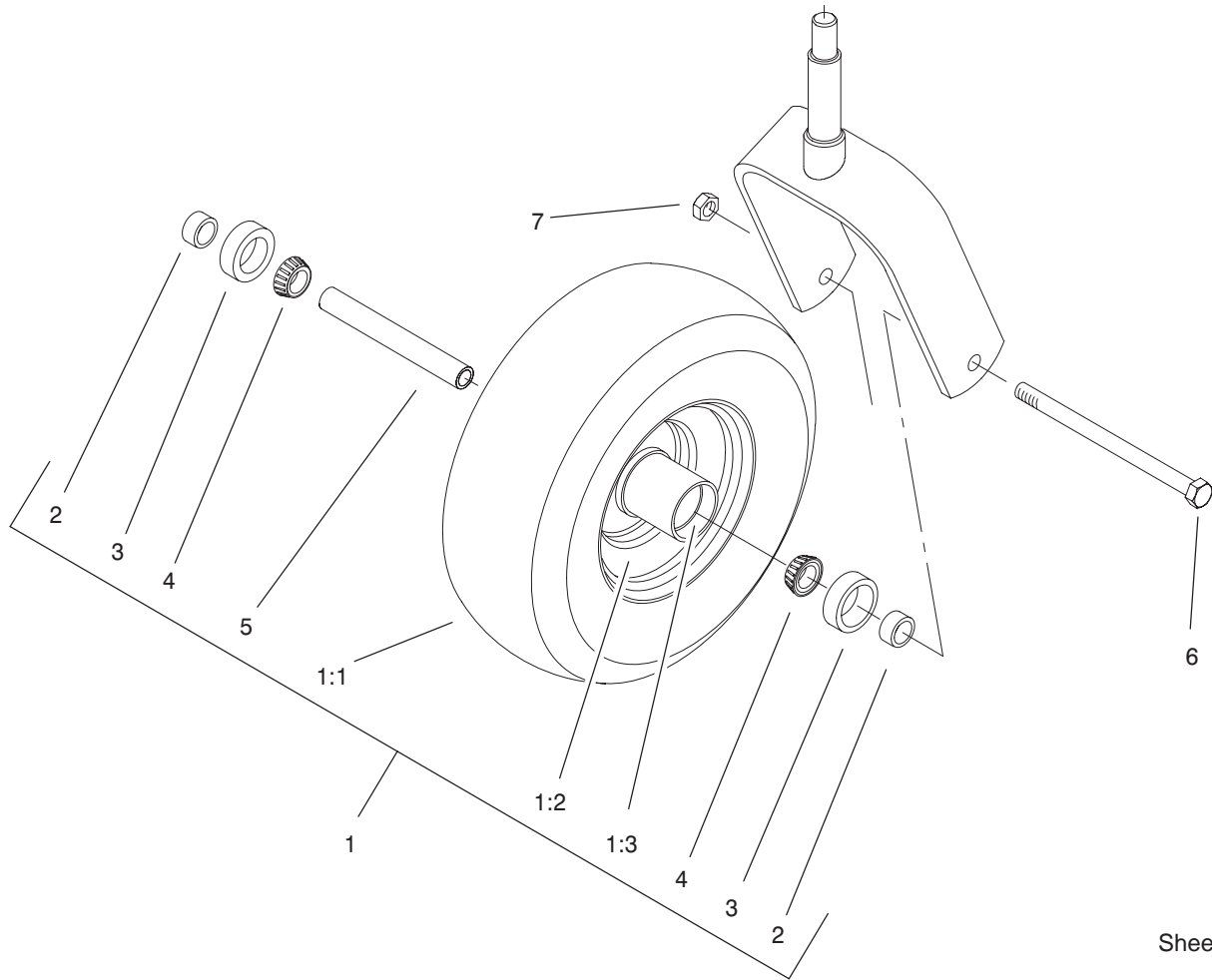


Sheet No.:2

Front Frame Assembly

Ref. No.	Part No.	Qty.	Description
1	1-634662	2	Caster Wheel ASM
3	1-632511-01	2	Caster
4	1-543511	2	Seal-Grease
5	254-94	4	Bearing-Cone, Taper
6	1-633508	6	Washer-Bellville
7	3296-51	2	Nut-Lock, NI
8	1-543513	2	Cap-Grease
9	322-3	6	Screw-HH
10	3256-23	4	Washer-Flat
11	106-6588	1	Floorpan ASM
11:2	1-633553	1	Pad-Antiskid
11:3	1-633737	1	Decal
11:4	106-6571	1	Decal-Danger, Slope
12	1-653049	1	Hinge-Floorpan
13	99-3930	1	Footrest ASM
13:2	99-3924	1	Decal-Service
13:3	98-5954	1	Decal-Missing, Cover
13:4	1-633553	1	Pad-Antiskid
14	3229-10	10	Screw-CARR
15	32128-33	10	Nut-HF
16	3230-1	2	Bolt-CARR
17	99-3870-01	2	Bracket-Floorpan
18	32128-20	8	Nut-HF
19	105-2625	1	Decal-STD, Safety
20	106-6581	1	Front Frame W/Decal
20:2	1-633818	1	Decal-Warning

Ref. No.	Part No.	Qty.	Description
21	32151-103	6	Ring-Snap
22	3256-29	6	Washer-Flat
23	3290-357	12	Nut-HHF
24	98-5975	12	Washer-Belleville
25	323-7	12	Screw-HH
31	103-1987	2	Front Spring ASM
33	99-3871-01	1	LH Lift Arm ASM
34	99-3872-01	1	RH Lift Arm ASM
35	302-19	4	Fitting-Grease
36	1-811010	2	Plug
38	254-72	4	Bearing-Cup, Tapered

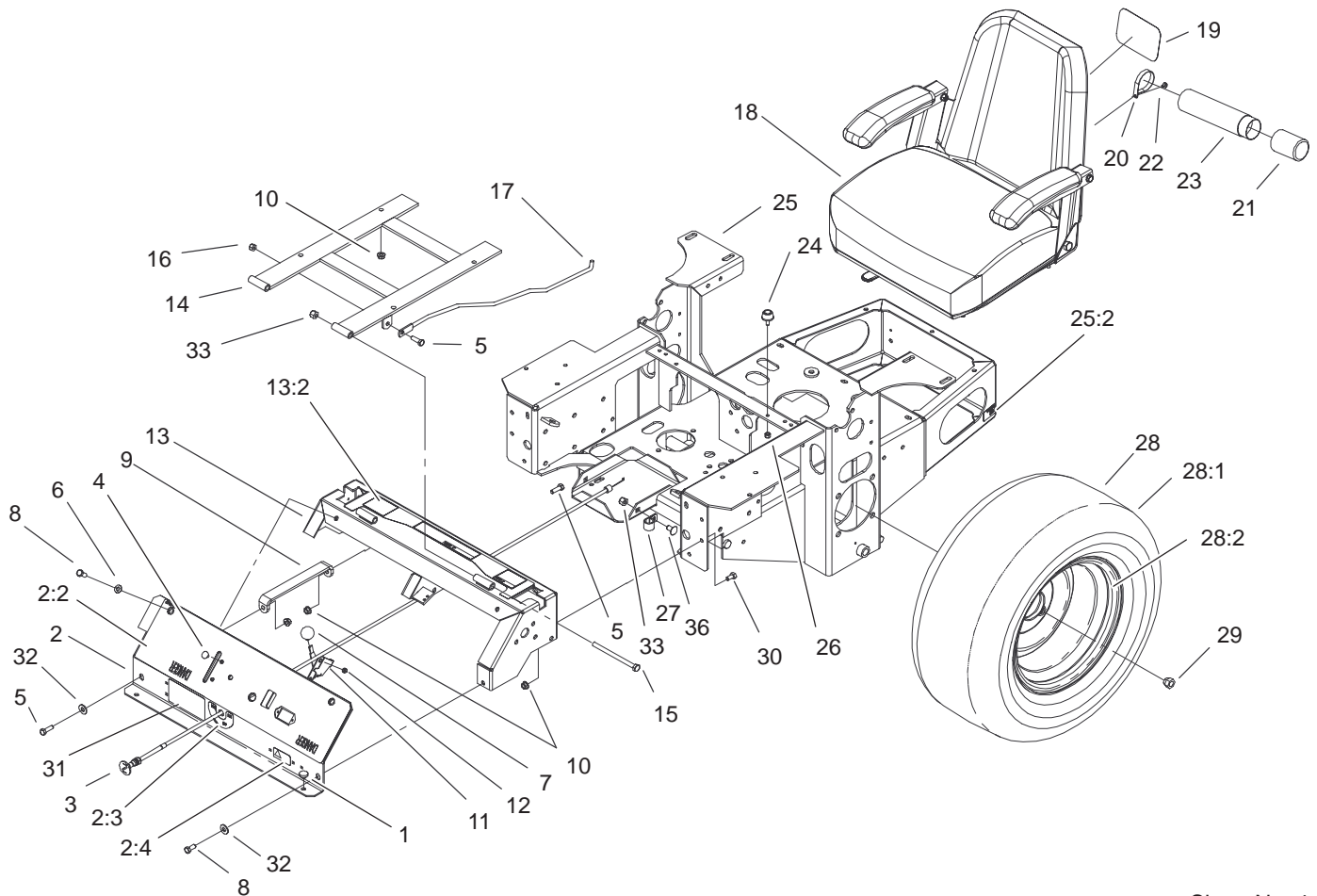


Sheet No.:A1
C-3038

Caster Wheel Assembly No. 1-634662

Ref. No.	Part No.	Qty.	Description
1	1-633582	1	Wheel And Tire ASM
1:1	1-633002	1	Tire
1:2	1-633583	1	Wheel
1:3	1-633584	2	Bearing-Cup
2	1-633581	2	Spacer-Bearing
3	1-633580	2	Seal-Bearing
4	1-633585	2	Bearing-Cone, Taper
5	1-633579	1	Spacer-Caster, Front
6	325-36	1	Screw-HH
7	3296-45	1	Nut-Lock, NI

Ref. No.	Part No.	Qty.	Description

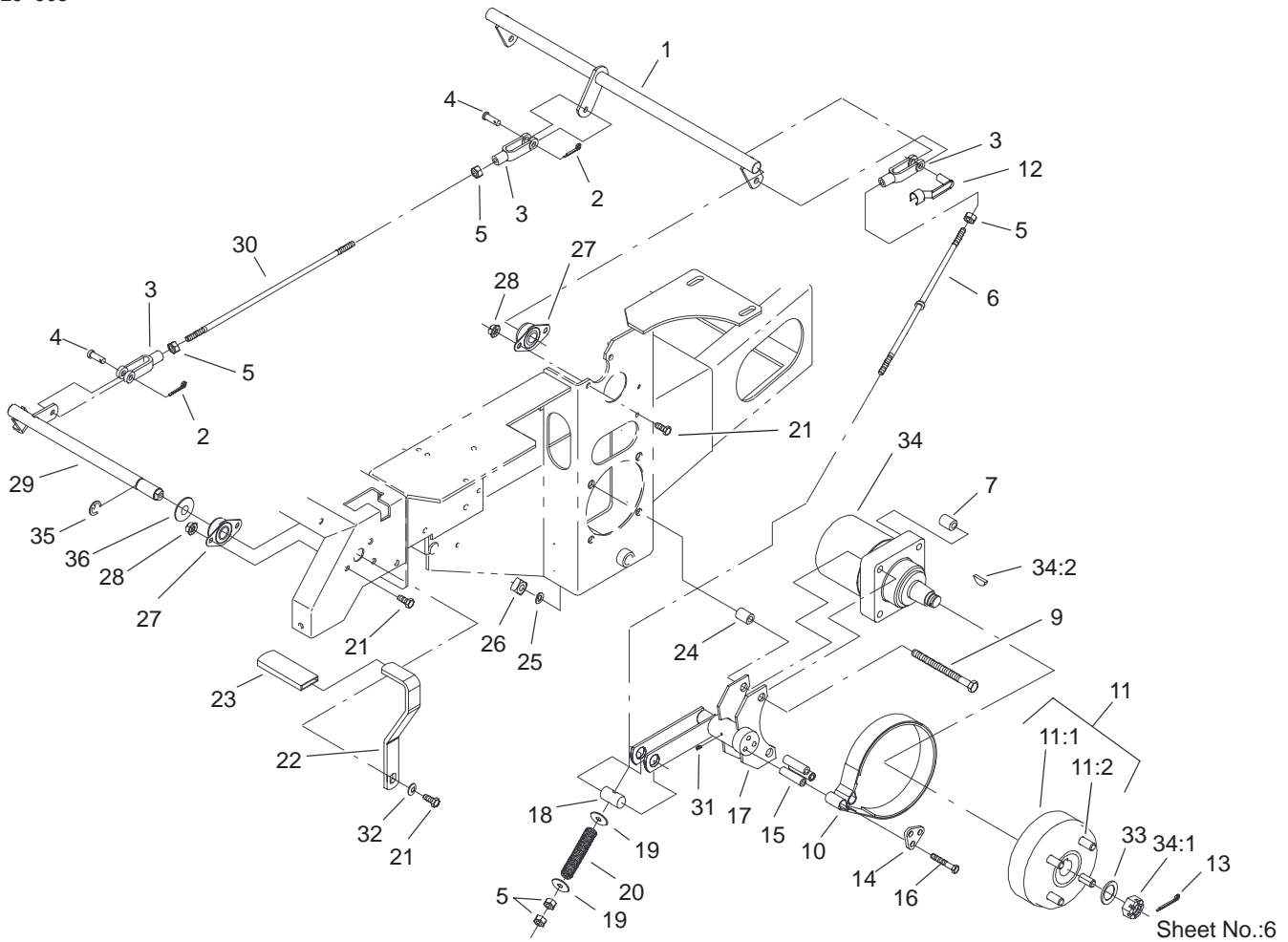


Sheet No.:4

Main Frame Assembly

Ref. No.	Part No.	Qty.	Description
1	1-513658	2	Bumper-Catcher, Grass
2	106-6589	1	Console ASM
2:2	106-6586	1	Decal-Panel, Control
2:3	103-0262	1	Decal-Valve, Fuel
2:4	98-4387	1	Decal-Protection, Ear
3	103-4090	1	Control-Choke
4	1-807513	2	Bolt-CARR
5	322-5	3	Screw-HH
6	3256-23	2	Washer-Flat
7	1-513592	1	Knob-Ball
8	322-3	3	Screw-HH
9	1-653089-03	1	Bracket
10	32128-20	12	Nut-HF
11	106-9952	1	Cable-Throttle
12	3296-2	2	Nut-Lock
13	105-6123	1	Console Frame ASM
13:2	103-1997	1	Decal-Console, Top
14	1-632187-03	1	Frame-Seat
15	323-39	2	Screw-HH
16	3296-29	1	Nut-Lock, NI
17	103-1731	1	Rod-Retainer, Seat
18	106-9964	1	Seat ASM
19	99-4693	1	Decal-Logo, Toro
20	2412-120	2	R-Clamp
21	104-7048	1	Cap-Housing

Ref. No.	Part No.	Qty.	Description
22	32104-76	2	Screw
23	104-7050	1	Housing-Manual
24	1-523420	2	Bumper
25	105-3649	1	Main Frame ASM
25:2	65-2690	2	Decal-Surface, Hot
26	3296-42	2	Nut-Lock, NI
27	1-633396	1	Clip-Loom
28	1-653010	2	Wheel And Tire ASM
28:1	1-653160	1	Tire
28:2	1-653158	1	Wheel
29	242-50	8	Nut-Lug
30	322-2	6	Screw-HH
31	99-4604	1	Decal
32	3256-3	2	Washer-Flat
33	3296-39	3	Nut-Lock, NI
36	3231-21	1	Screw-CARR



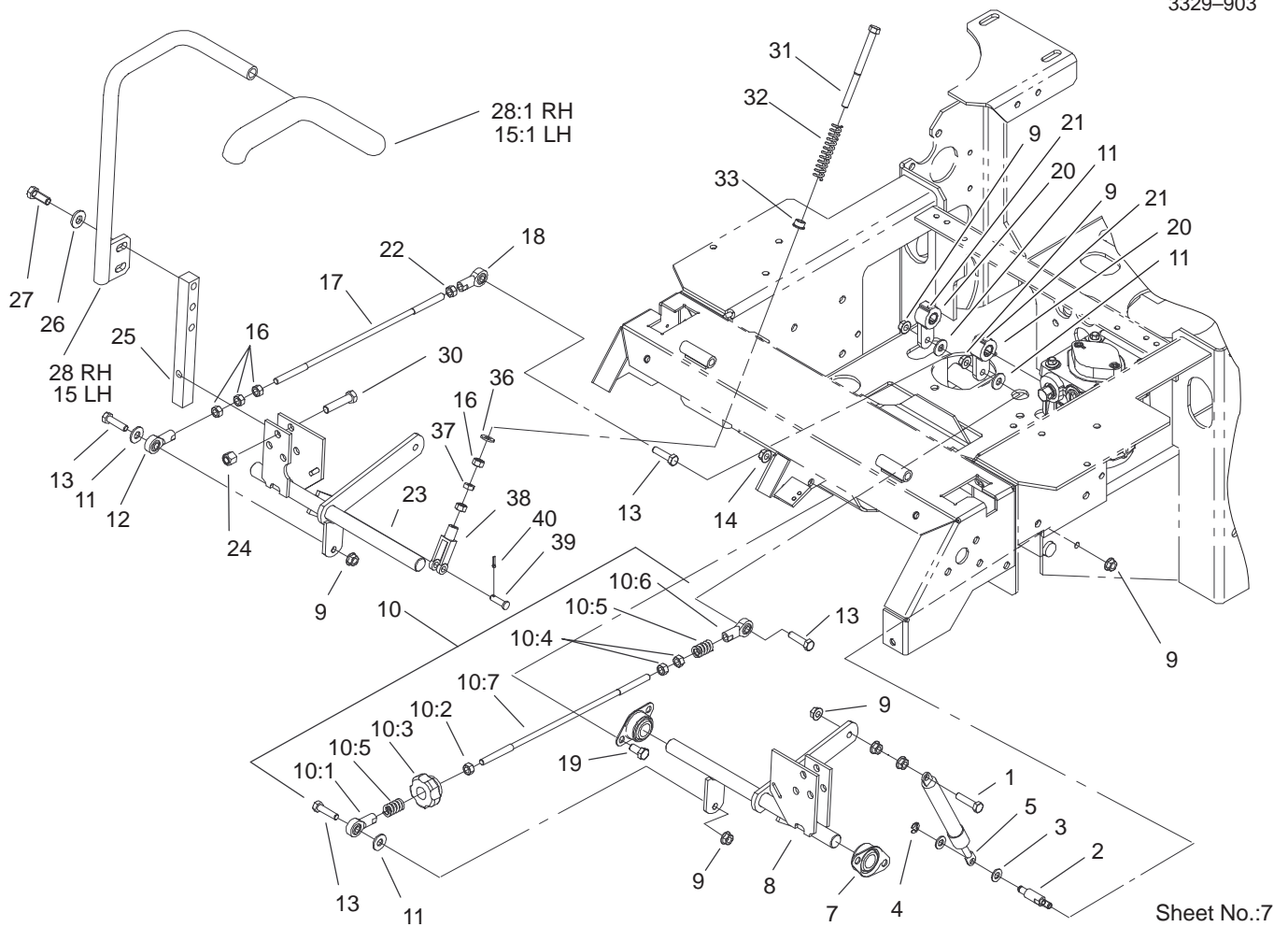
Sheet No.:6

Parking Brake System Assembly

Ref. No.	Part No.	Qty.	Description
1	1-652073-03	1	Crank-Brake, Park
2	3272-10	2	Pin-Cotter
3	1-633131	4	Yoke-Linkage, Brake
4	1-808285	2	Pin-Clevis
5	3219-3	8	Nut-HH
6	103-0356	2	Rod-Brake
7	1-653068	4	Spacer-Wheel
9	325-13	8	Screw-HH
10	103-0355	2	Band-Brake
11	103-0590	2	Hub-Wheel
11:1	103-0589	1	Hub-Wheel
11:2	1-633926	4	Stud-Wheel
12	103-2399	2	Pin-Spring, Clevis
13	1-806800	2	Pin-Cotter
14	103-0374	2	Retainer-Band, Brake
15	103-0384	6	Spacer
16	322-9	6	Screw-HH
17	103-0352-03	2	Bracket-Brake
18	1-633144	2	Pin-Trunion
19	3256-4	4	Washer-Flat
20	1-633454	2	Spring-Brake
21	323-4	9	Screw-HH
22	1-653074-03	1	Handle-Brake, Park
23	1-633268	1	Grip-Lever, Brake
24	1-653069	4	Spacer-Wheel
25	3253-7	8	Washer-Lock

Ref. No.	Part No.	Qty.	Description
26	103-0131	8	Nut-Square
27	1-633102	4	Bearing-Flange, Side
28	3290-357	8	Nut-HHF
29	103-3116	1	Shaft-Brake, Parking
30	1-653061	1	Linkage-Handle, Brake
31	1481	2	Fitting-Grease
32	98-5975	1	Washer-Belleville
33	1-523157	2	Washer-Spacer
34	1-523328	2	Motor-Wheel
34:1	1-809036	1	Nut-HH
34:2	3257-42	1	Key-Woodruff
*34:99	103-2748	1	Drive Link Kit
*34:99	1-000139	1	Bearing Kit
*34:99	1-000099	1	Seal Kit
35	32151-48	1	E-Ring
36	3256-28	1	Washer-Flat

* Not illustrated

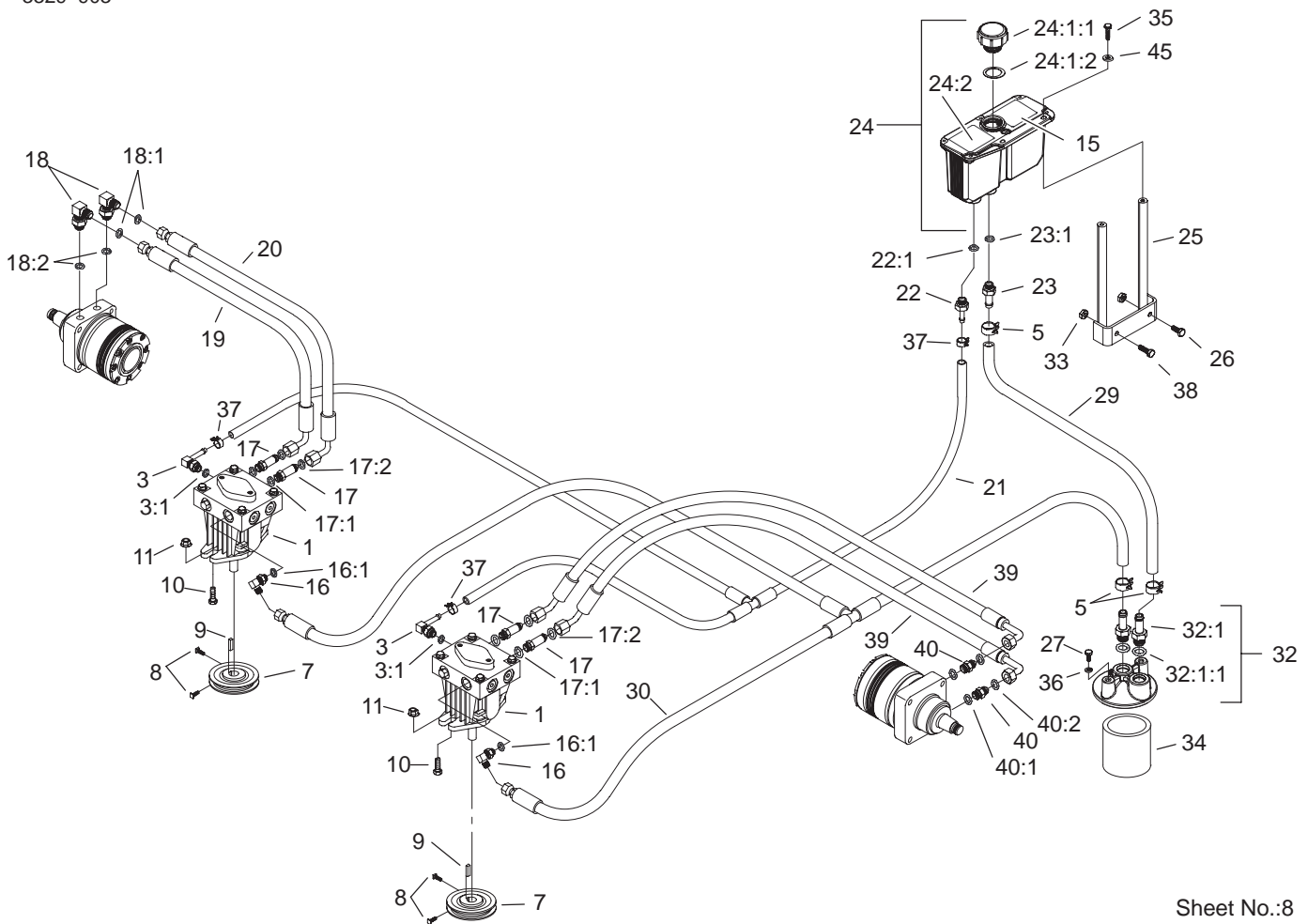


Sheet No.:7

Motion Control System Assembly

Ref. No.	Part No.	Qty.	Description
1	1-403180	2	Screw-HH
2	1-653316	2	Pin-Damper
3	3256-23	4	Washer-Flat
4	32120-35	2	E-Ring
5	103-2913	2	Damper-Control, Motion
7	1-633102	4	Bearing-Flange, Side
8	103-2199	1	LH Motion Control ASM
9	32128-20	12	Nut-HF
10	103-3063	1	Tracking Rod ASM
10:1	1-543017	1	Balljoint-RH
10:2	3219-2	1	Nut-Hex
10:3	103-3060	1	Knob-Tracking
10:4	1-804524	2	Nut
10:5	1-323245	2	Spring-Compression
10:6	1-633152	1	Balljoint-Thread, LH
10:7	103-3066	1	Link-Rod, Tracking
11	3256-3	4	Washer-Flat
12	1-543017	1	Balljoint-RH
13	322-6	4	Screw-HH
14	3290-357	8	Nut-HHF
15	103-0631	1	LH Lever ASM
15:1	1-633257	1	Grip-Control, Motion
16	3219-2	7	Nut-Hex
17	103-3066	1	Link-Rod, Tracking

Ref. No.	Part No.	Qty.	Description
18	1-633152	1	Balljoint-Thread, LH
19	323-4	8	Screw-HH
20	103-3717	2	Arm-Control, Pump
21	1-803022	2	Screw-Set
22	1-804524	1	Nut
23	103-2200	1	RH Motion Control ASM
24	3296-39	6	Nut-Lock, NI
25	103-0407	2	Arm-Shaft, Control
26	98-5975	4	Washer-Belleville
27	323-6	4	Screw-HH
28	103-0632	1	RH Lever ASM
28:1	1-633257	1	Grip-Control, Motion
30	323-9	6	Screw-HH
31	1-603737	2	Bolt-Return, Neutral
32	1-603807	2	Spring-Return, Neutral
33	1-603735	2	Bushing-Flanged
36	3256-2	2	Washer-Flat
37	3220-2	2	Nut
38	1-303105	2	Yoke-Adjustable
39	1-808280	2	Pin-Clevis
40	3272-5	2	Pin-Cotter



Sheet No.:8

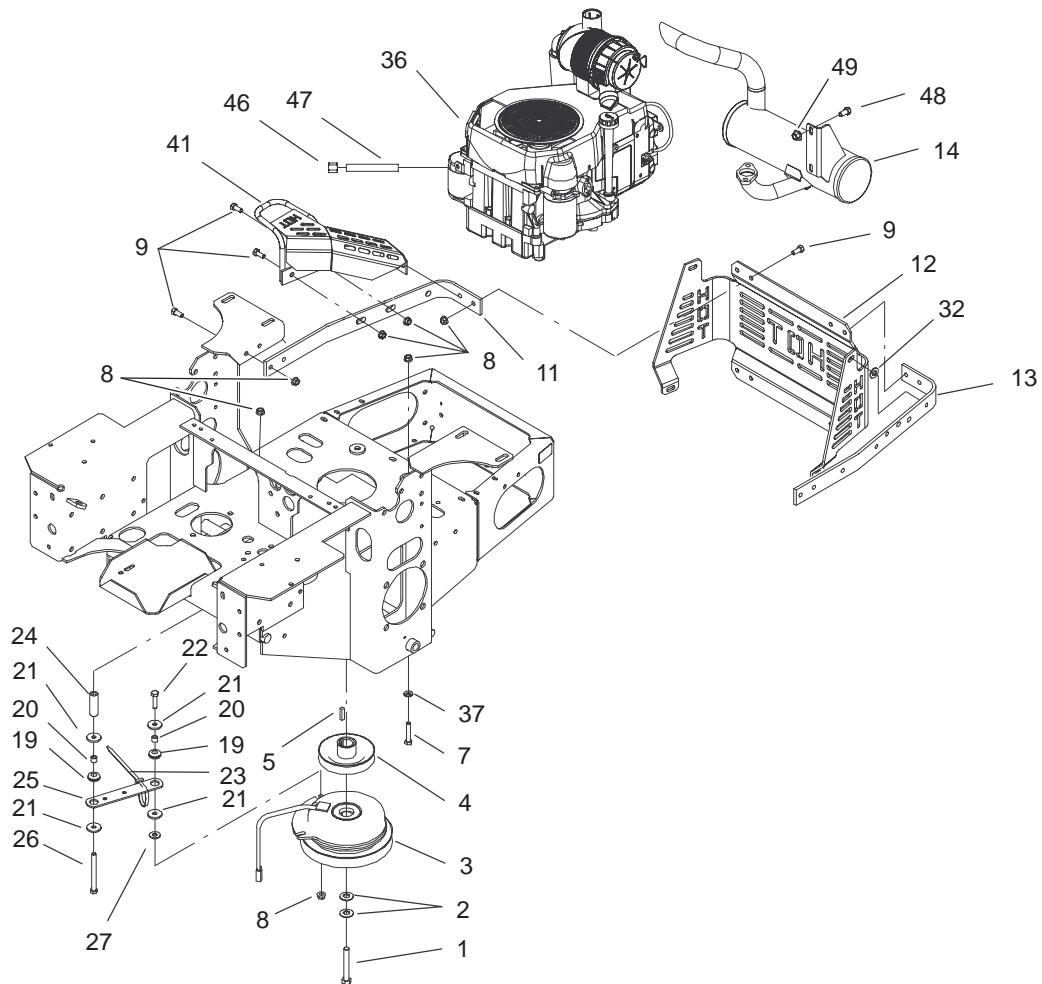
Hydraulic System Assembly

Ref. No.	Part No.	Qty.	Description
1	103-1942	2	Pump-HYD
*1:1	105-6184	1	Seal Overhaul Kit
*1:2	105-6185	1	Plate-Valve
*1:8	103-2664	1	Input Shaft Kit
*1:9	94-6922	1	Bearing-Thrust
*1:10	103-2666	1	Cylinder Block Kit
*1:14	106-2053	1	Shock Valve Kit
3	103-1799	2	Elbow-90°
3:1	237-42	1	O-Ring
5	103-1988	3	Clamp-Hose
7	1-653156	2	Sheave
8	1-803050	4	Screw-Set
9	1-807272	2	Key
10	323-7	4	Screw-HH
11	3290-357	4	Nut-HHF
15	103-2644	1	Decal-Exhaust
16	103-1802	2	Fitting-HYD, 90°
16:1	237-42	1	O-Ring
17	103-1940	4	Adapter-HYD, Straight
17:1	237-79	1	O-Ring
17:2	1-603992	1	O-Ring
18	1-633605	2	Fitting-HYD, 90°
18:1	1-603992	1	O-Ring
18:2	237-80	1	O-Ring
19	1-653186	1	Hose-Front
20	1-653187	1	Hose-RH, Rear

Ref. No.	Part No.	Qty.	Description
21	103-2357	1	HYD Hose ASM
22	103-1801	1	Adapter-Straight
22:1	237-42	1	O-Ring
23	103-1912	1	Adapter-Straight
23:1	237-42	1	O-Ring
24	103-1947	1	HYD Reservoir ASM
☆24:1		1	Reservoir-HYD
24:1:1	103-1948	1	Cap-Reservoir, HYD
24:1:2	103-1949	1	Gasket-Cap
24:2	1-523552	1	Decal-Tank, HYD
25	103-3071-03	1	Stand-Reservoir
26	322-3	1	Screw-HH
27	321-3	2	Screw-HH
29	103-3077	1	HYD Hose ASM
30	103-2930	1	HYD Hose ASM
32	103-2889	1	Filter Head ASM
32:1	103-1912	2	Adapter-Straight
32:1:1	237-42	1	O-Ring
33	32128-20	2	Nut-HF
34	1-633750	1	Filter-HYD
34	1-633752	1	Filter-HYD, Winter
35	321-6	2	Screw-HH
36	1-805004	2	Washer-Lock
37	103-1716	3	Clamp-Hose
38	322-5	1	Screw-HH
39	103-3809	2	Hose-LH

* Not illustrated

☆ Not serviced separately

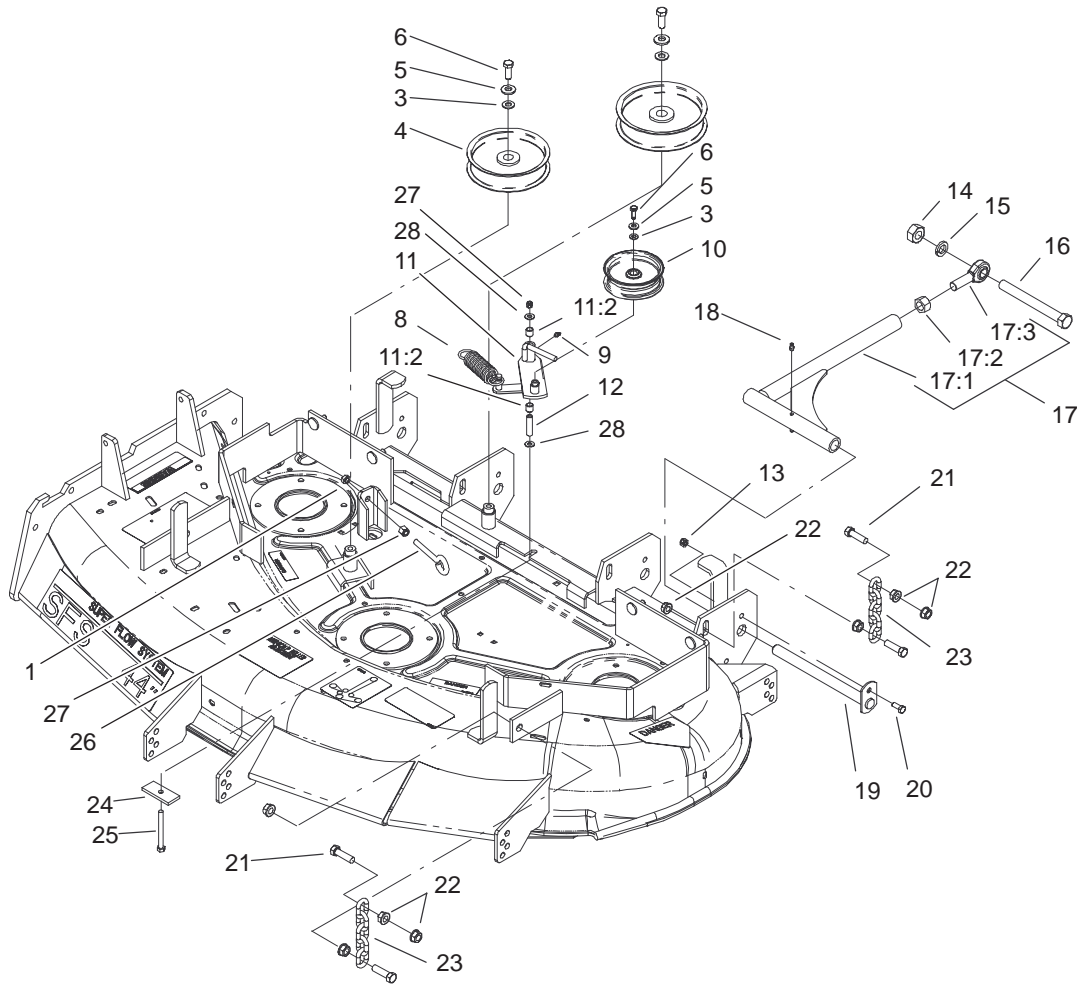


Sheet No.:10

Engine and Clutch Assembly

Ref. No.	Part No.	Qty.	Description	Ref. No.	Part No.	Qty.	Description
1	3212-10	1	Screw-HH	37	1-303334	2	Washer-Spring
2	1-603610	2	Washer-Spring	41	103-3218-03	1	Guard-Tailpipe
3	103-0690	1	Clutch	46	288-10	1	Cap-Pipe
4	1-653035	1	Sheave W/Hub	47	289-19	1	Nipple
5	1-807259	1	Key	48	322-3	2	Screw-HH
7	33114-025	4	Screw-HH	49	32128-20	2	Nut-Flange
8	32128-20	27	Nut-HF				
9	322-3	21	Screw-HH				
11	103-3078-03	1	Strap-Guard, Engine RH				
12	103-3219-03	1	Guard-Rear				
13	103-3164-03	1	Strap-Guard, Engine LH				
14	106-9965	1	Muffler				
19	1-633630	2	Grommet-Brake				
20	1-633545	2	Spacer-Grommet				
21	1-613235	4	Washer				
22	322-6	1	Screw-HH				
23	1-303335	2	Tie-Plastic				
24	103-2614	1	Spacer				
25	1-633543-03	1	Strap-Clutch, Brake				
26	322-22	1	Screw-HH				
27	3256-3	3	Washer-Flat				
32	3256-23	4	Washer-Flat				
☆36		1	Engine-Kohler, Cv493s-27520				

☆ Not serviced separately

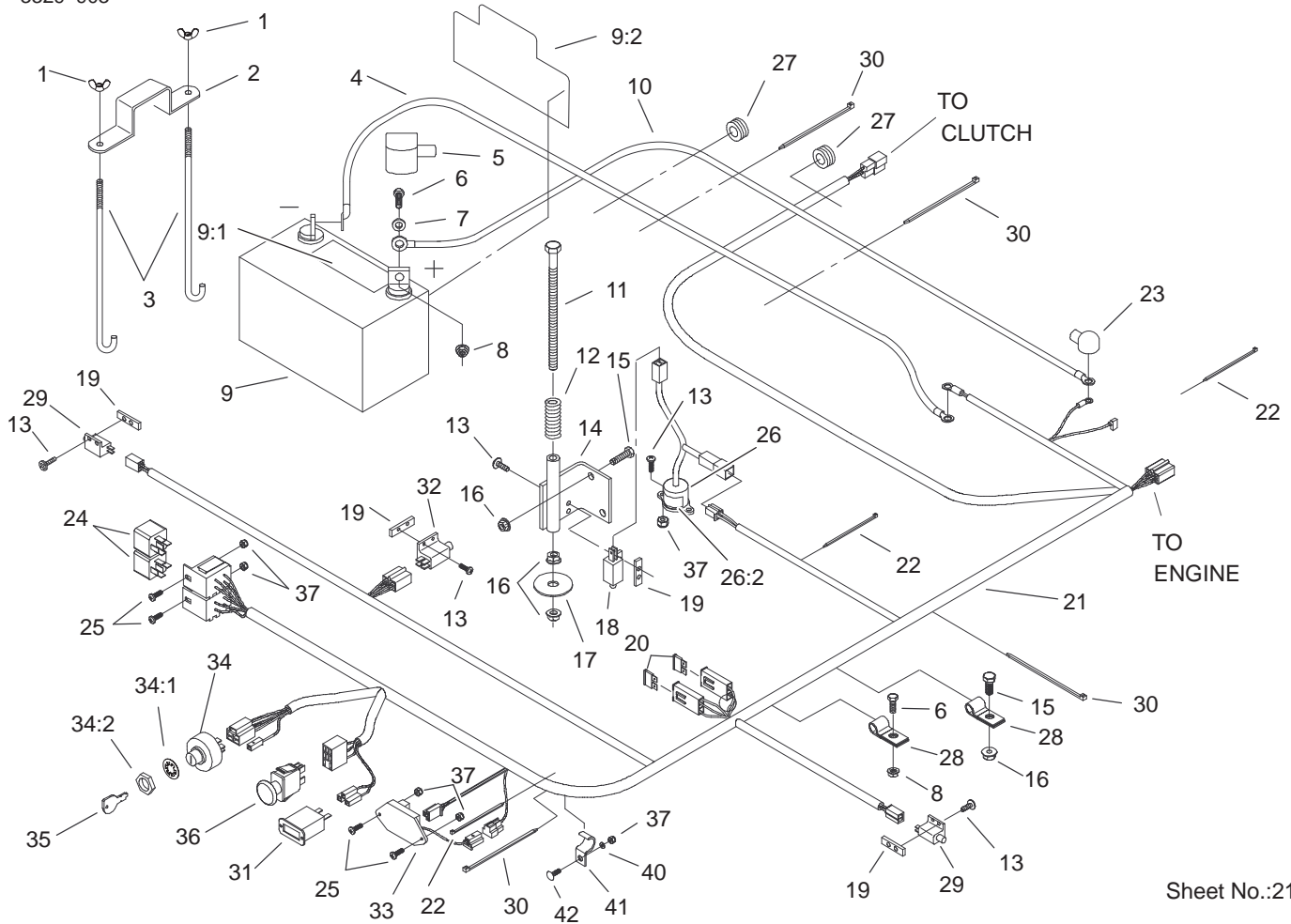


Sheet No.:16
C-3040

Idler, Pulley/Lift Strut, Chain Assembly

Ref. No.	Part No.	Qty.	Description
1	3217-7	1	Nut-Hex
3	3256-24	3	Washer-Flat
4	1-613098	2	Pulley-Idler
5	98-5975	3	Washer-Belleville
6	323-6	3	Screw-HH
8	105-6992	1	Spring
9	302-40	1	Fitting-Grease
10	99-8912	1	Pulley-Idler, Flat
11	99-8914	1	Idler Arm ASM
11:2	1-513034	2	Sleeve-Bearing
12	1-603384	1	Bushing-Pivot, Idler
13	3296-29	2	Nut-Lock, NI
14	3217-11	2	Nut-Hex
15	3253-8	2	Washer-Lock
16	1-800344	2	Screw
17	103-1081	2	Strut ASM
17:1	103-1072-01	1	Strut
17:2	3219-6	1	Nut-Hex
17:3	1-633029	1	Balljoint-Spherical
18	302-19	4	Fitting-Grease
19	1-632199-01	2	Pin-Strut
20	322-3	2	Screw-HH
21	1-800811	8	Screw-Cap, HH
22	32128-37	16	Nut-HF
23	1-633447	4	Chain-Lift, Deck
24	99-3946-01	1	Plate-Retainer, Bolt

Ref. No.	Part No.	Qty.	Description
25	1-800805	1	Screw-HH
26	94-2547	1	Bolt-Eye
27	3296-39	2	Nut-Lock, NI
28	1-809107	2	Washer-Hardened



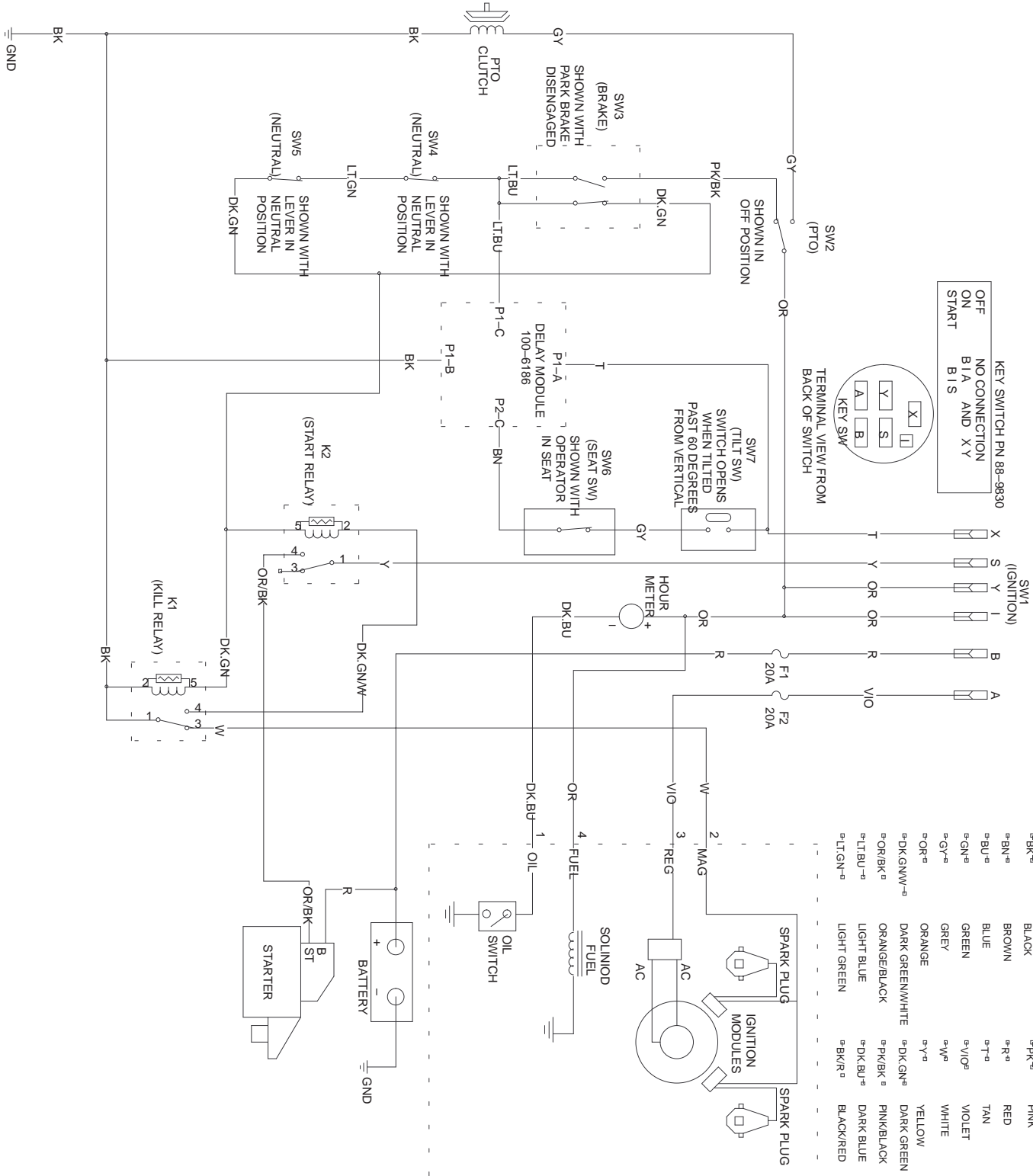
Sheet No.:21

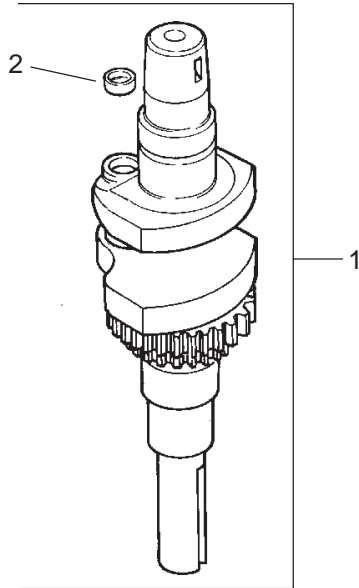
Electrical System Assembly

Ref. No.	Part No.	Qty.	Description
1	1-543792	2	Wingnut
2	1-633652-03	1	Strap-Holddown
3	1-633651	2	Bolt-Holddown
4	1-543767	1	Cable-Ground, Negative
5	1-543391	1	Insulator-Battery
6	321-4	3	Screw-HH
7	3256-2	2	Washer-Flat
8	32128-33	3	Nut-HF
9	105-1692	1	Battery
9:1	104-4163	1	Decal-Battery
9:2	104-4164	1	Decal-Battery
10	1-523281	1	Wire-Starter
11	1-800282	1	Screw-HH
12	1-523415	1	Spring-Switch, Seat
13	3290-500	10	Screw-PPH
14	1-652072-03	1	Bracket-Switch, Seat
15	322-3	3	Screw-HH
16	32128-20	5	Nut-HF
17	1-653036	1	Washer
18	1-513152	1	Switch-Closed, Normally
19	1-633181	4	Plate-Tapped
20	1-816001	2	Fuse-Type, Blade
21	106-7487	1	Harness - Wire
22	1-303287	2	Tie-Plastic

Ref. No.	Part No.	Qty.	Description
23	1-543393	1	Insulator-Solenoid
24	1-643275	2	Relay
25	1-807513	4	Bolt-CARR
26	1-644427	1	Tilt Switch ASM
26:2	1-643401	1	Decal-Switch, Mercury
27	1-543286	2	Grommet
28	1-633396	2	Clip-Loom
29	1-513051	2	Switch-Open, Normally
30	1-303335	4	Tie-Plastic
31	1-513374	1	Meter-Hour
32	1-633111	1	Switch
33	100-6186	1	Module-Delay, Seat
34	88-9830	1	Key Switch ASM
34:1	3254-5	1	Washer-Tooth
34:2	218-461	1	Nut-HH
35	63-8360	2	Key-Ignition
36	1-633673	1	Switch-Delta
37	3296-2	7	Nut-Lock
40	3256-14	1	Washer-Flat
41	103-1193	1	Clip-Half, Loom
42	1-807533	1	Bolt-CARR

Electrical Schematic





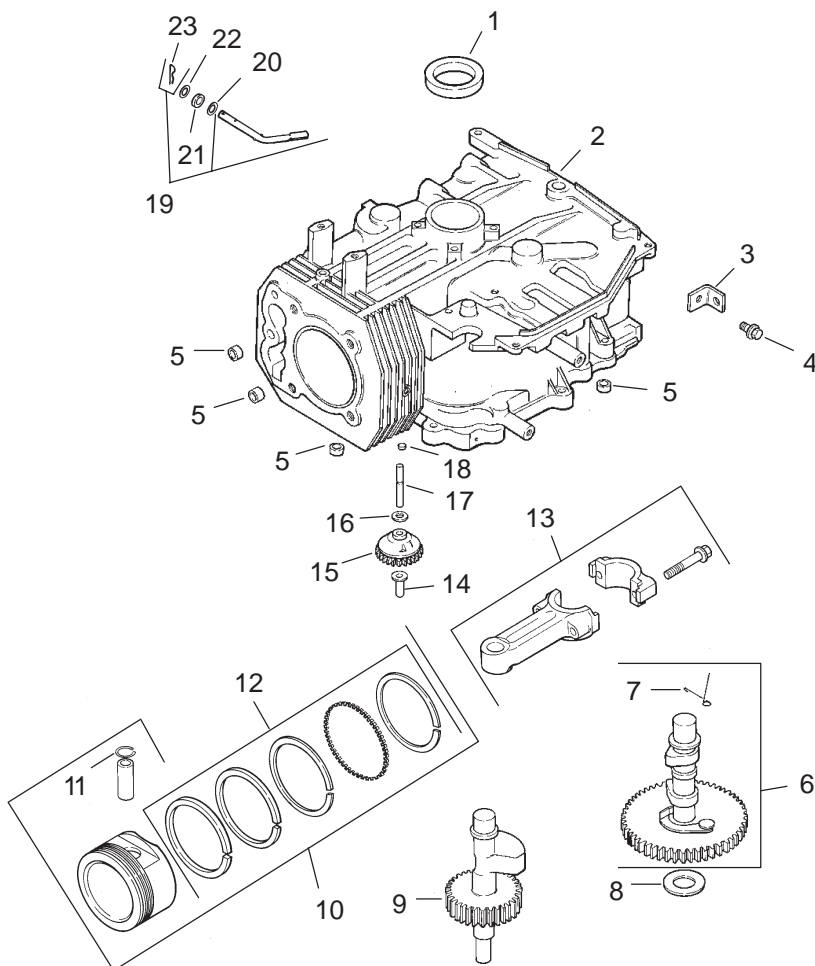
Crankshaft Assembly Kohler CV493S-27520

Ref. No.	Part No.	Qty.	Description
1	12 014 57-S	2	Crankshaft (Includes 2)
2	25 139 27-S	1	Plug, cup

Ref. No.	Part No.	Qty.	Description

* Not illustrated

Obtain parts from your local Kohler dealer

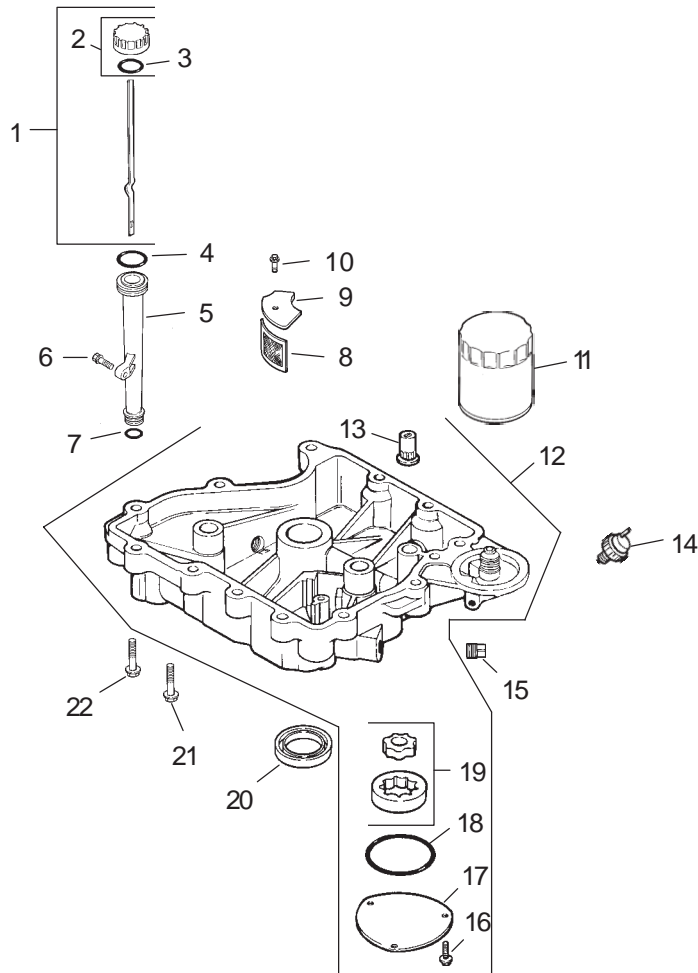


Crankcase Assembly Kohler CV493S-27520

Ref. No.	Part No.	Qty.	Description	Ref. No.	Part No.	Qty.	Description
1	12 032 03-S	1	Seal, front oil	*	12 874 09-S	1	Piston w/Ring Set (.50)
2		1	Crankcase (Use: Short Block 12 522 51)	11	12 018 02-S	2	Retainer, piston pin (2)
3	12 445 02-S	1	Strap, lifting	12	12 108 07-S	1	Ring Set (Std. & .08)
4	M-839025-S	1	Screw, hex. flange M8x1.25x25	*	12 108 08-S	1	Ring Set (.25)
5	24 380 13-S	4	Pin, locating	*	12 108 09-S	1	Ring Set (.50)
6	12 010 30-S	7	Camshaft assembly (Includes 7)	13	12 067 11-S	1	Connecting Rod (Std.)
7	12 089 31-S	1	Spring, actuating	*	12 067 12-S	1	Connecting Rod (.25)
8	12 422 08-S	1	Shim, camshaft - blue	14	12 380 01-S	1	Pin, governor regulating
*	12 422 09-S	1	Shim, camshaft - red	15	12 043 05-S	1	Gear, governor
*	12 422 10-S	1	Shim, camshaft - yellow	16	M-631005-S	1	Washer, plain 6 mm
*	12 422 11-S	1	Shim, camshaft - green	17	12 144 02-S	1	Shaft, governor gear
*	12 422 12-S	1	Shim, camshaft - gray	18	52 139 09-S	1	Plug, cup
*	12 422 13-S	1	Shim, camshaft - black	19	12 755 64-S	1	Kit, governor cross shaft w/clip (Incl. 23)
*	12 422 07-S	1	Shim, camshaft - white	20	X-25-102-S	1	Washer, plain 1/4
9	12 144 28-S	1	Shaft, balance	21	12 032 01-S	1	Seal, governor cross shaft
10	12 874 07-S	1	Piston w/Ring Set (Std.) (Includes 11, 12)	22	M-631015-S	1	Washer, plain 6 mm
*	12 874 11-S	1	Piston w/Ring Set (.08)	23	12 154 05-S	1	Clip, hitch pin
*	12 874 08-S	1	Piston w/Ring Set (.25)				

* Not illustrated

Obtain parts from your local Kohler dealer

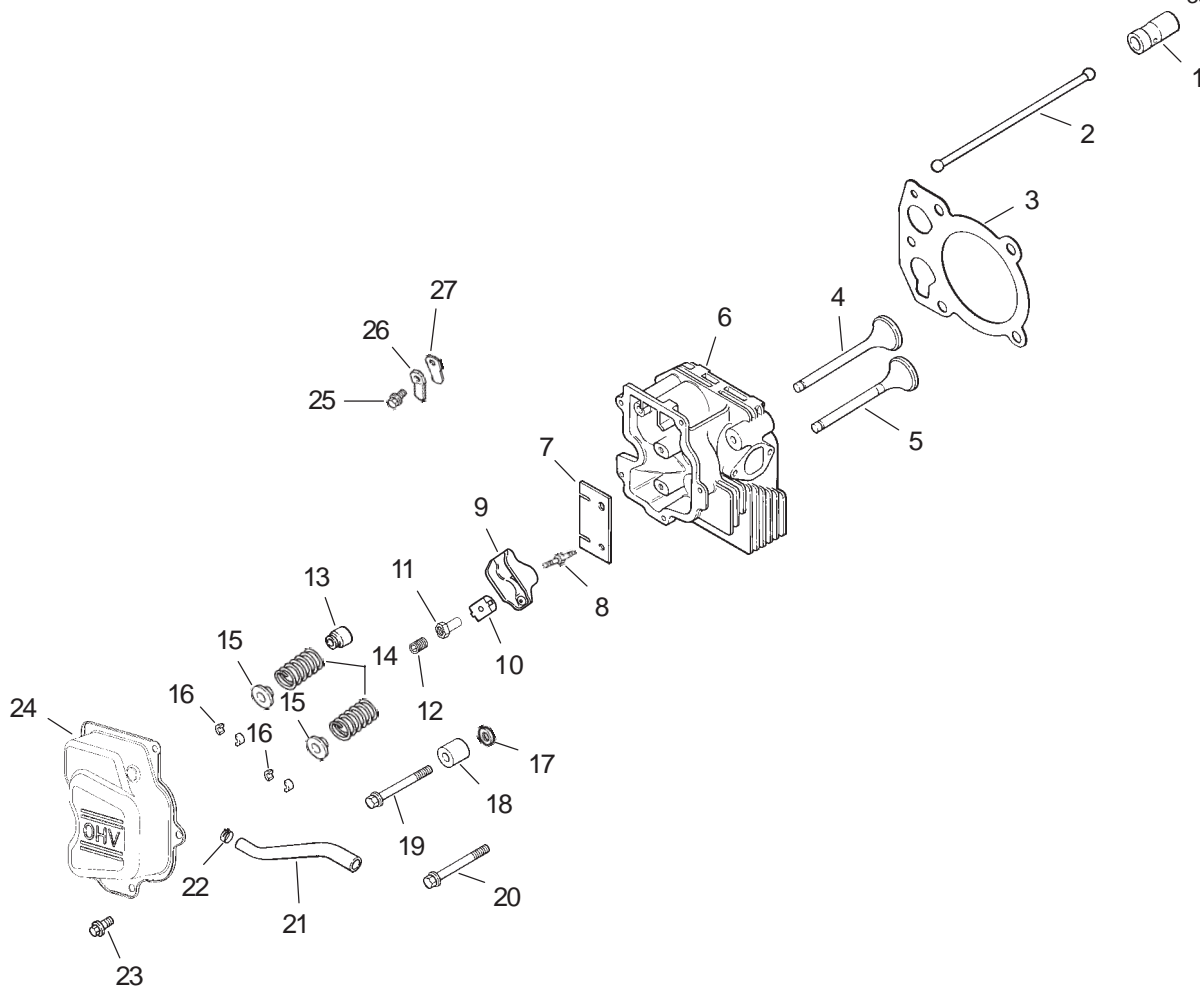


Oil Pan and Lubrication Assembly Kohler CV493S-27520

Ref. No.	Part No.	Qty.	Description	Ref. No.	Part No.	Qty.	Description
1	12 038 01-S	1	Dipstick (Includes 2, 3)	17	12 096 34-S	1	Cover, oil pump
2	25 755 13-S	1	Kit, oil fill cap (Incl. 3)	18	12 153 06-S	1	O-Ring, oil pump cover
3	25 153 02-S	1	O-Ring, oil fill cap	19	12 393 01-S	1	Pump assembly, oil
4	12 153 02-S	1	O-Ring, upper oil fill tube	20	12 032 03-S	1	Seal, oil (P.T.O. end)
5	12 123 04-S	1	Tube, oil fill	21	24 086 16-S	11	Screw, hex. flange M8x1.25x45 (11)
6	M-545020-S	1	Screw, hex. flange M5x0.8x20	22	24 086 17-S	1	Screw, hex. flange M8x1.25x45
7	12 153 01-S	1	O-Ring, lower oil fill tube				
8	25 162 07-S	1	Screen, oil pickup				
9	12 096 03-S	1	Cover, oil pickup screen				
10	M-545016-S	1	Screw, hex. flange M5x0.8x16				
11	52 050 02-S	1	Filter, oil				
12	12 199 50-S	1	Pan assembly, oil (Includes 13,16-19)				
13	25 462 09-S	1	Valve, oil pressure relief				
14	24 099 03-S	1	Switch, pressure				
15	25 139 57-S	1	Plug, sq. hd. solid 3/8				
16	M-545016-S	1	Screw, hex. flange M5x0.8x16				

* Not illustrated

Obtain parts from your local Kohler dealer

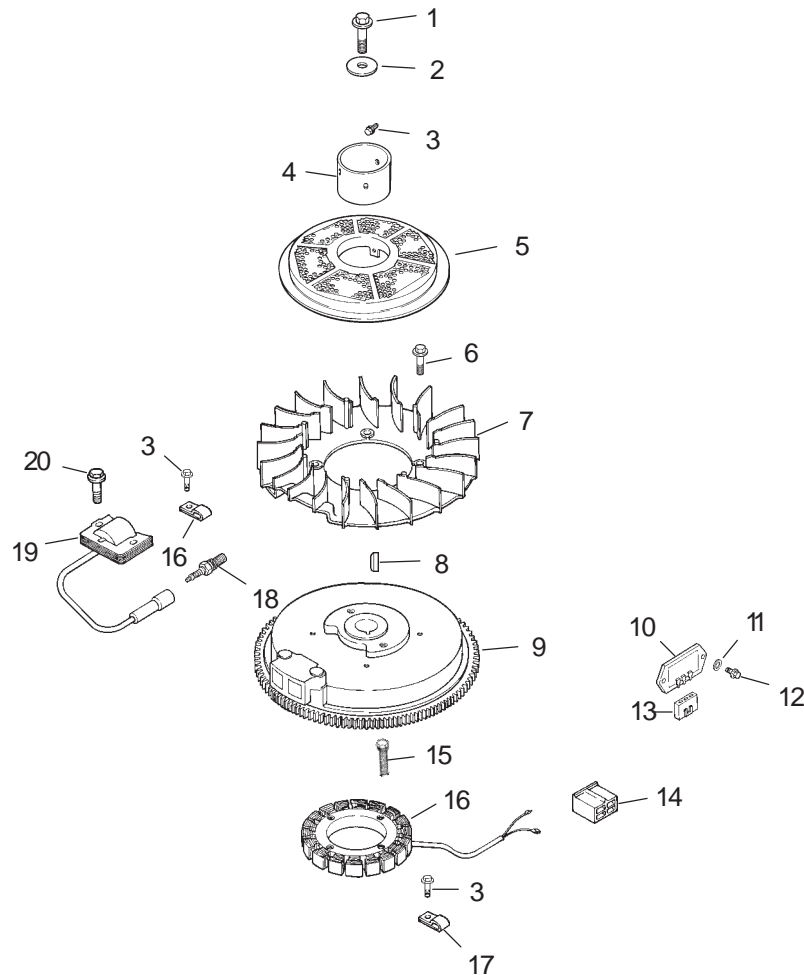


Head / Valve / Breather Assembly Kohler CV493S-27520

Ref. No.	Part No.	Qty.	Description	Ref. No.	Part No.	Qty.	Description
1	25 351 01-S	2	Lifter, valve	21	12 326 18-S	1	Hose, breather
2	12 411 03-S	2	Rod, push	22	25 237 14-S	2	Clamp, hose
3	12 041 10-S	1	Gasket, cylinder head	23	20 086 02-S	4	Screw, hex. flange M10x1.5x81
4	12 017 01-S	1	Valve, intake (Std.)	24	12 096 47-S	1	Cover, valve
*	12 017 02-S	1	Valve, intake (.25)	25	M-545010-S	1	Screw, hex. flange M5x0.8x10
5	12 016 01-S	1	Valve, exhaust (Std.)	26	12 018 01-S	1	Retainer, breather reed
*	12 016 02-S	1	Valve, exhaust (.25)	27	12 402 02-S	1	Reed, breather
6	12 318 36-S	1	Head, cylinder	*	12 041 01-S	2	Gasket, carburetor
7	12 146 22-S	1	Plate, guide	*	12 041 02-S	1	Gasket, air cleaner base
8	25 072 12-S	2	Stud, rocker	*	12 041 03-S	1	Gasket, exhaust manifold
9	25 186 01-S	2	Arm, rocker				
10	12 599 03-S	2	Pivot, rocker arm				
11	12 112 16-S	2	Nut, hex.				
12	25 086 112-S	2	Screw, set (AVT)				
13	66 032 05-S	2	Seal, valve stem				
14	12 089 34-S	2	Spring, valve				
15	12 173 01-S	2	Cap, valve spring				
16	12 755 03-S	2	Kit, retainer				
17	12 468 05-S	1	Washer, plain 13/32				
18	12 112 16-S	1	Spacer				
19	M-645025-S	2	Screw, hex. flange M6x1.0x25				
20	M-645016-S	1	Screw, hex. flange M6x1.0x16				

* Not illustrated

Obtain parts from your local Kohler dealer



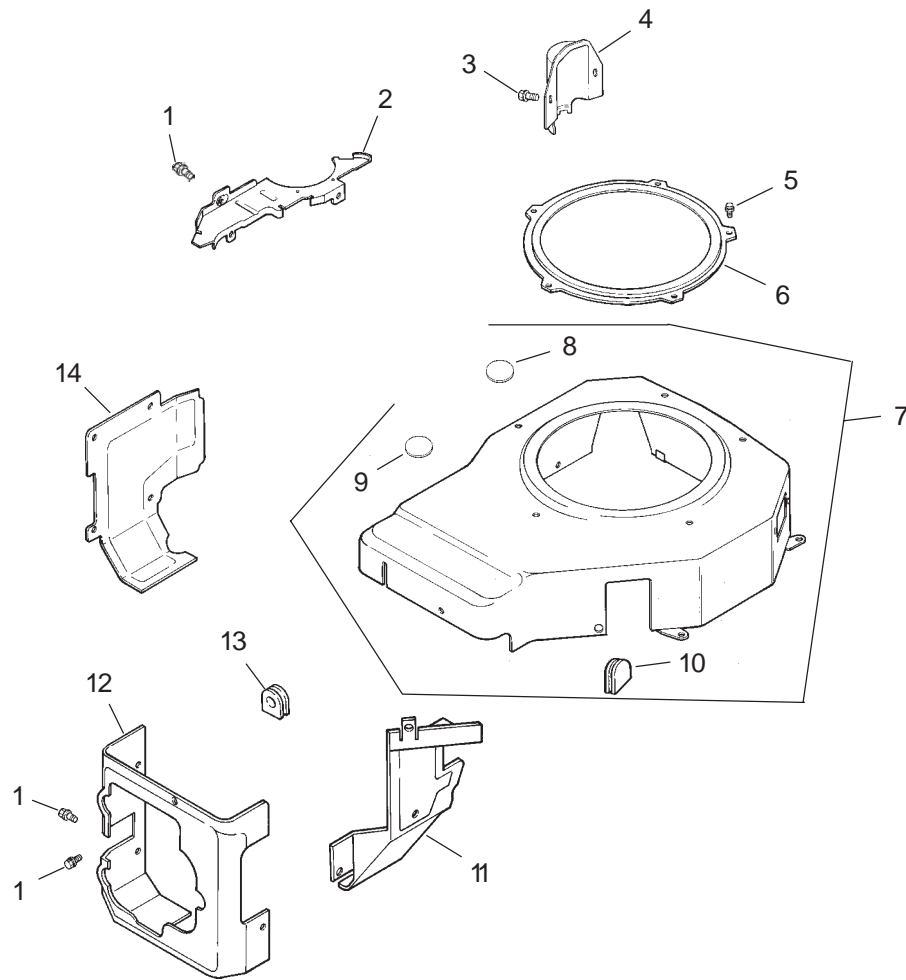
Ignition / Electrical Assembly Kohler CV493S-27520

Ref. No.	Part No.	Qty.	Description
1	12 086 14-S	1	Screw, hex. flange M10x1.5x46
2	12 468 03-S	1	Washer, plain 3/8
3	M-545010-S	5	Screw, hex. flange M5x0.8x10
4	12 109 03-S	1	Cup, screen mounting
5	12 162 09-S	1	Screen, grass
6	25 086 47-S	4	Bolt, shoulder M6x1.0x16
7	12 157 03-S	1	Fan
8	X-42-15-S	1	Key
9	12 025 53-S	1	Flywheel
10	41 403 09-S	1	Rectifier-regulator
11	X-22-11-S	1	Washer, lock 1/4
12	M-639016-S	2	Screw, hex. flange M6x1.0x16
13	236602-S	1	Connector, rectifier- regulator (3 contact)
14	41 155 02-S	1	Connector (5 contact)
15	M-548025-S	2	Screw, hex. cap M5x0.8x25
16	237878-S	1	Kit, stator (Includes Terminal 25 452 01-S)
17	X-728-1-S	2	Clip

Ref. No.	Part No.	Qty.	Description
18	12 132 06-S	1	Spark Plug
19	12 584 04-S	1	Module, ignition
20	M-545020-S	2	Screw, hex. flange M5x0.8x20
*	25 452 01-S	1	Terminal
*	X-25-5-S	1	Washer, steel
*	25 518 05-S	1	Lead, black, rectifier to connector (5 - 14 gauge - uninsulated push on tab terminals)
*	12 518 01-S	1	Lead, white, ground to kill (19 - 18 gauge - fully insulated push on tab and uninsulated push on tab terminals)
*	24 518 12-S	1	Lead, black (6 - 12 gauge - insulated grip barrel eyelet terminals)

* Not illustrated

Obtain parts from your local Kohler dealer



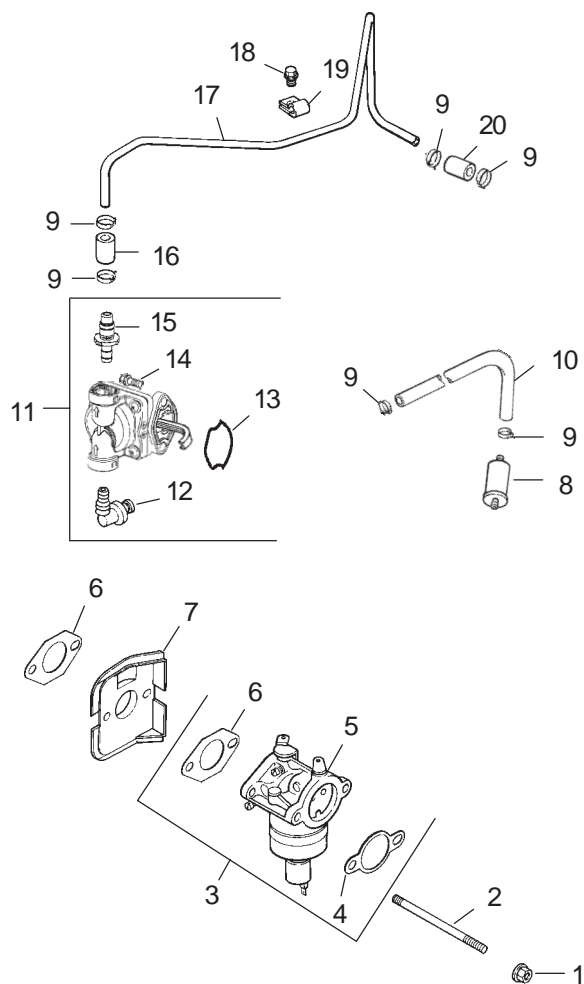
Blower Housing and Baffle Assembly Kohler CV493S-27520

Ref. No.	Part No.	Qty.	Description
1	M-545010-S	9	Screw, hex. flange M5x0.8x10
2	12 146 07-S	1	Plate, blower housing
3	M-550010-S	11	Screw, hex. flange M5x0.8x10
4	12 096 33-S	1	Cover, starter
5	12 314 07-S	1	Guard, stylized
6	12 314 10-S	1	Guard, grass screen
7	12 027 71-S	1	Housing, blower (Includes 8-10)
8	25 139 17-S	1	Plug, button 1/2
9	25 139 16-S	1	Plug, button 9/16
10	12 313 05-S	2	Grommet
11	12 063 18-S	1	Baffle, intake side
12	12 063 20-S	1	Baffle, cylinder head
13	12 313 03-S	1	Grommet, spark plug
14	12 063 19-S	1	Baffle, cylinder
*	25 113 24-S	1	Decal, grass screen
*	24 113 94-S	1	Decal, 18 HP

Ref. No.	Part No.	Qty.	Description

* Not illustrated

Obtain parts from your local Kohler dealer



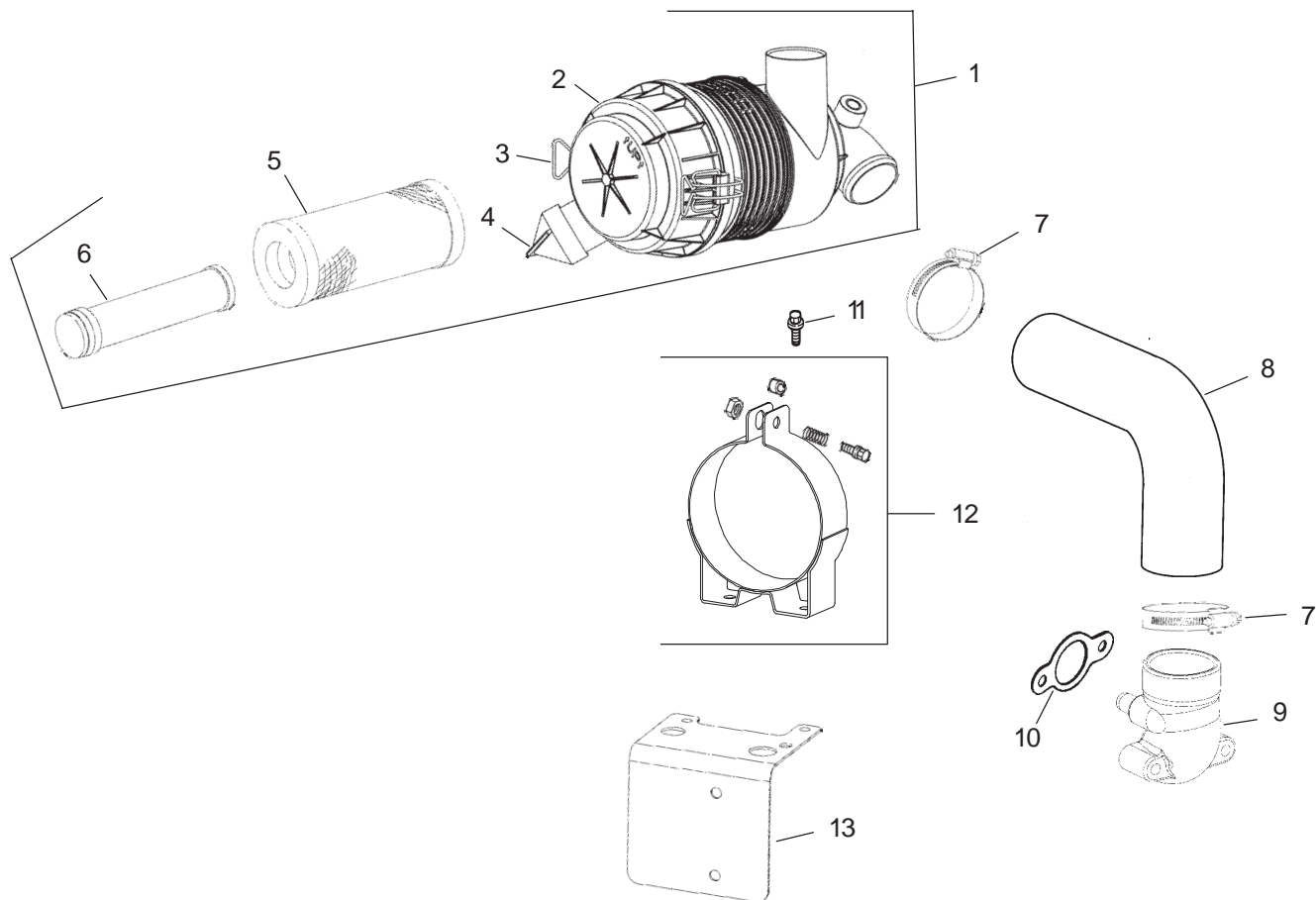
Fuel System Assembly Kohler CV493S-27520

Ref. No.	Part No.	Qty.	Description	Ref. No.	Part No.	Qty.	Description
1	M-641060-S	2	Nut, hex. flange	12	12 294 13-S	1	Fitting, connector 90
2	M-629116-S	2	Stud M6x1.0x116	13	25 153 04-S	1	O-Ring, fuel pump
3	12 853 147-S	1	Kit, carburetor w/gaskets (Includes 4, 5, 6 qty. 1, Tie 12 454 03-S, and Terminal 25 452 20-S)	14	M-645020-S	2	Screw, hex. flange
4	12 041 02-S	1	Gasket, air cleaner	15	24 294 09-S	1	Fitting, connector - straight
5	12 053 147	1	Carburetor assembly (For information only not available separately) (Service with kits: 12 757 02-S, 12 757 03-S, 12 757 33-S, 12 757 36-S, & 12 757 37-S)	16	12 353 01-S	1	Line, fuel 1-1/4
6	12 041 01-S	2	Gasket, carburetor	17	12 123 19-S	1	Line, fuel - metal
7	12 265 06-S	1	Deflector, heat	18	M-545010-S	1	Screw, hex. flange M5x0.8x10
8	25 050 08-S	1	Filter, fuel	19	12 154 01-S	1	Clamp, fuel line
9	25 237 14-S	6	Clamp, fuel line	20	41 353 18-S	1	Line fuel 2-1/2
10	24 393 11-S	1	Line, fuel	*	12 757 02-S	1	Kit, float
11	12 559 02-S	1	Kit, fuel pump (Includes 12-15)	*	12 757 03-S	1	Kit, carburetor repair
				*	12 757 33-S	1	Kit, solenoid repair
				*	12 757 36-S	1	Kit, throttle shaft
				*	12 757 37-S	1	Kit, bowl replacement
						1	Lead, red (18 gauge, - 20 insulated socket and uninsulated push on tab terminals)
				*	12 454 03-S	3	Tie, wire
				☆*	M-561010-S	1	Screw, thread forming M5x0.8x10
				☆*	X-22-11-S	1	Washer, lock 1/4

* Not illustrated

☆ Used to attach carburetor ground lead to carburetor baffle.

Obtain parts from your local Kohler dealer



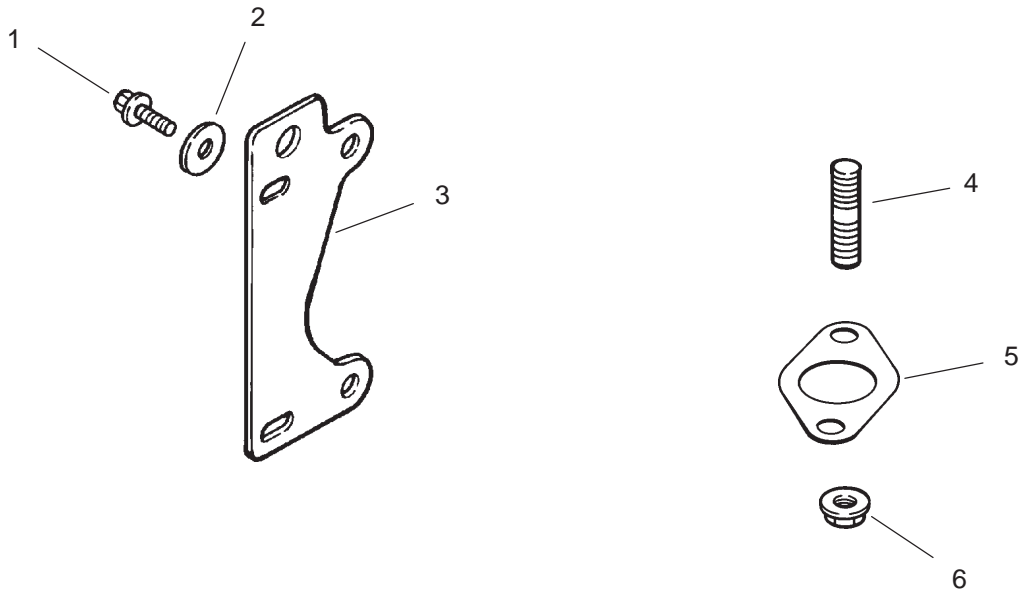
Air Intake / Filtration Assembly Kohler CV493S-27520

Ref. No.	Part No.	Qty.	Description
1	25 048 06-S	1	Cleaner assembly, air (Includes 2-6)
2	25 096 05-S	1	Cover assembly, plastic air cleaner
3	25 154 05-S	2	Clip
4	24 462 07-S	1	Valve, dust ejector
5	25 083 02-S	1	Element, air - primary
6	25 083 03-S	1	Element, air - safety
7	24 237 02-S	2	Clamp, hose
8	12 326 23-S	1	Hose, air cleaner
9	12 054 06-S	1	Elbow assembly
10	12 041 02-S	1	Gasket, air cleaner
11	M-851016-S	2	Screw, hex. flange
12	12 126 94-S	1	Bracket assembly, air cleaner support
13	25 126 01-S	1	Bracket, air cleaner
*	12 158 03-S	1	Bushing, ignition wire
*	12 113 04-S	1	Decal, air cleaner

Ref. No.	Part No.	Qty.	Description

* Not illustrated

Obtain parts from your local Kohler dealer



Exhaust Assembly Kohler CV493S-27520

Ref. No.	Part No.	Qty.	Description
1	M-645025-S	2	Screw, hex. flange M6x1.0x25
2	12 112 20-S	2	Spacer
3	12 126 71-S	1	Bracket, muffler
4	25 072 04-S	2	Stud M8x1.25x33
5	12 041 03-S	1	Gasket, exhaust manifold
6	M-841080-S	2	Nut, hex. flange M8x1.25
*	12 522 51	1	Short Block
*	12 755 93-S	1	Gasket Set

Ref. No.	Part No.	Qty.	Description

* Not illustrated

Obtain parts from your local Kohler dealer

