



5.5 hp Lawn Vacuum

Model No. 62925 - 240000001 and up.

Parts Catalog

Ordering Replacement Parts

To order replacement parts, please supply the part number, the quantity, and the description of each part desired.

Understanding Reference Numbers

Each Identified part in an illustration has a reference number. The reference number for a part also appears in the parts list, along with other information about the part.

This catalog uses two special reference number formats, one to indicate parts in a service assembly and another to indicate the quantity of a given part in an illustration.

Service Assembly Reference Numbers

Parts in service assemblies have reference numbers in the form a:b. The a represents the reference number of the entire service assembly and the b represents a sequential number unique to each part within the service assembly.

For example, a wheel assembly might be identified by reference number 6, the tire by 6:1, the valve by 6:2, and the wheel by 6:3. When you order the assembly identified by reference number 6, you receive all parts identified by reference numbers 6:1, 6:2, and 6:3. However, you may also order any part individually. Reference numbers of this type appear in illustrations and in part lists.

Reference Numbers Indicating Quantity

In an illustration, if a reference number indicates more than one part, the reference number has the form nX y. The n represents the quantity of the part, the X is the multiplication symbol, and the y represents the reference number.

For example, in an illustration, the reference number 2X 37 means that two of the parts identified by reference number 37 are indicated.

Contents

Description	Page	Description	Page
Blower and Snout Assembly 3	Carburetor Overhaul Kit Assembly Engine	
Blower Assembly 4	Briggs and Stratton Model 126402-0245-E1 21
Engine and Front Wheel Assembly 5	Cylinder Assembly Engine Briggs and Stratton	
Traction and Wheel Assembly 6	Model 126302-0245-E1 22
Traction Assembly 7	Crankshaft Assembly Engine Briggs and	
Handle and Vacuum Bag Assembly 8	Stratton Model 126302-0245-E1 23
Cylinder Assembly Engine Briggs and Stratton		Cylinder Head Assembly Engine Briggs and	
Model 126402-0245-E1 9	Stratton Model 126302-0245-E1 24
Crankshaft Assembly Engine Briggs and		Crankcase Assembly Engine Briggs and	
Stratton Model 126402-0245-E1 10	Stratton Model 126302-0245-E1 25
Cylinder Head Assembly Engine Briggs and		Carburetor Assembly Engine Briggs and	
Stratton Model 126402-0245-E1 11	Stratton Model 126302-0245-E1 26
Crankcase Assembly Engine Briggs and		Air Cleaner Assembly Engine Briggs and	
Stratton Model 126402-0245-E1 12	Stratton Model 126302-0245-E1 27
Carburetor Assembly Engine Briggs and		Muffler and Fuel Tank Assembly Engine Briggs	
Stratton Model 126402-0245-E1 13	and Stratton Model 126302-0245-E1 28
Air Cleaner Assembly Engine Briggs and		Governor Assembly Engine Briggs and Stratton	
Stratton Model 126402-0245-E1 14	Model 126302-0245-E1 29
Muffler and Fuel Tank Assembly Engine Briggs		Blower Housing Assembly Engine Briggs and	
and Stratton Model 126402-0245-E1 15	Stratton Model 126302-0245-E1 30
Governor Assembly Engine Briggs and Stratton		Starter Assembly Engine Briggs and Stratton	
Model 126402-0245-E1 16	Model 126302-0245-E1 31
Blower Housing Assembly Engine Briggs and		Oil Tube and Dipstick Assembly Engine Briggs	
Stratton Model 126402-0245-E1 17	and Stratton Model 126302-0245-E1 32
Starter Assembly Engine Briggs and Stratton		Gasket Assembly Engine Briggs and Stratton	
Model 126402-0245-E1 18	Model 126302-0245-E1 33
Oil Filter, Tube and Pump Assembly Engine		Carburetor Overhaul Kit Assembly Engine	
Briggs and Stratton Model 126402-0245-E1 19	Briggs and Stratton Model 126302-0245-E1 34
Gasket Assembly Engine Briggs and Stratton			
Model 126402-0245-E1 20		

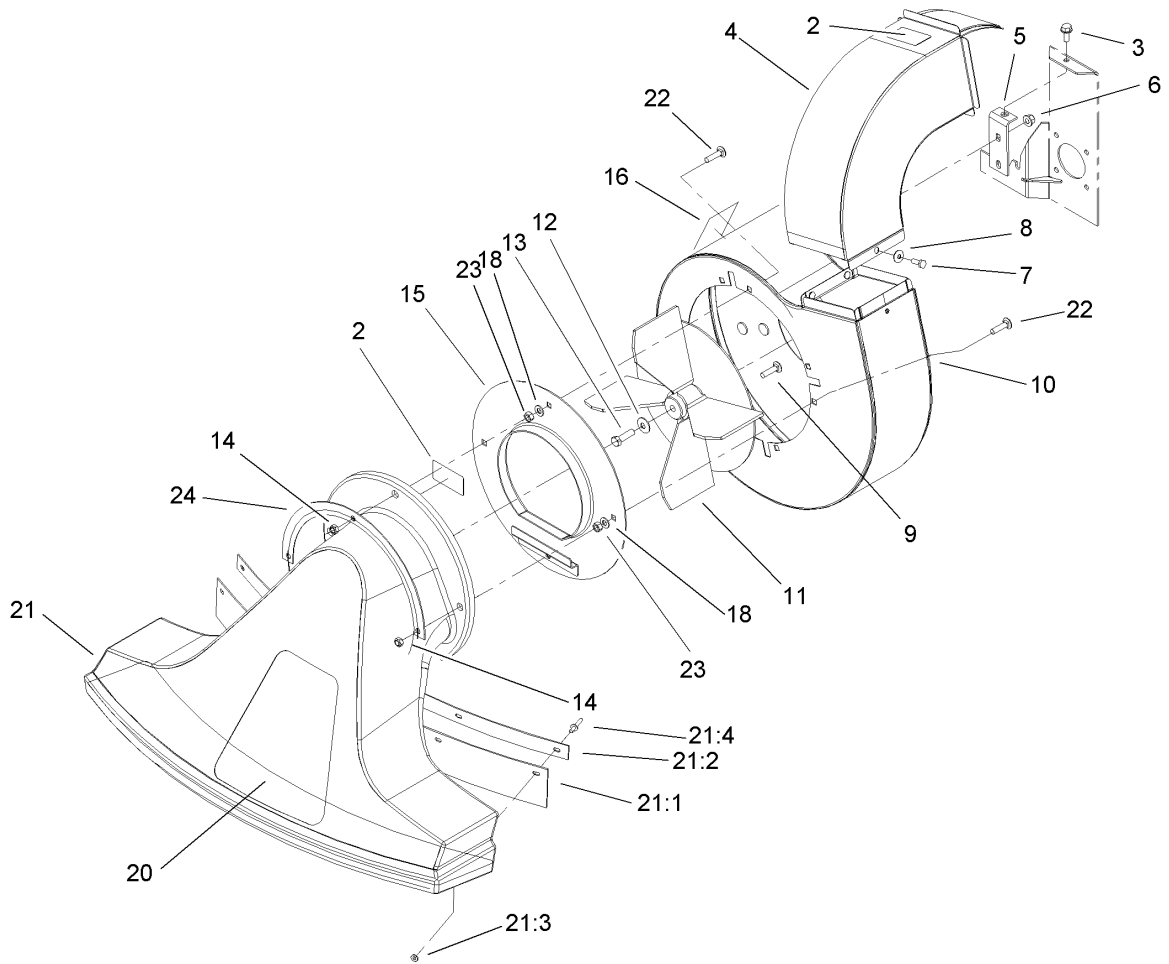
Part Description Abbreviations

Part descriptions in this catalog may include the following abbreviations.

AR.	as required	INC.	incorporated
ASM.	assembly	LH.	left hand
CARR.	carriage	NI.	nylon insert
DEG.	degrees	PPH.	phillips pan head
FH.	flat head	PTH.	phillips truss head
GA.	gauge	PTO.	power take off
HF.	hex flange	RH.	right hand
HH.	hex head	SFH.	slotted fillister head
HHF.	hex head flange	SHH.	slotted hex head
HHFTF.	hex head flange thread forming	SHWH.	slotted hex washer head
HJ.	hex jam	SPH.	slotted pan head
HLH.	hex lag head	SQH.	square head
HOC.	height-of-cut	SRH.	slotted round head
HS.	hex	STD.	standard
HSBH.	hex socket button head	TAP.	self tapping
HSFH.	hex socket flat head	TTH.	torx truss head
HSH.	hex socket head	WH.	wing head
HWH.	hex washer head		
HWHTF.	hex washer head thread forming		
HYD.	hydraulic		

Footnotes

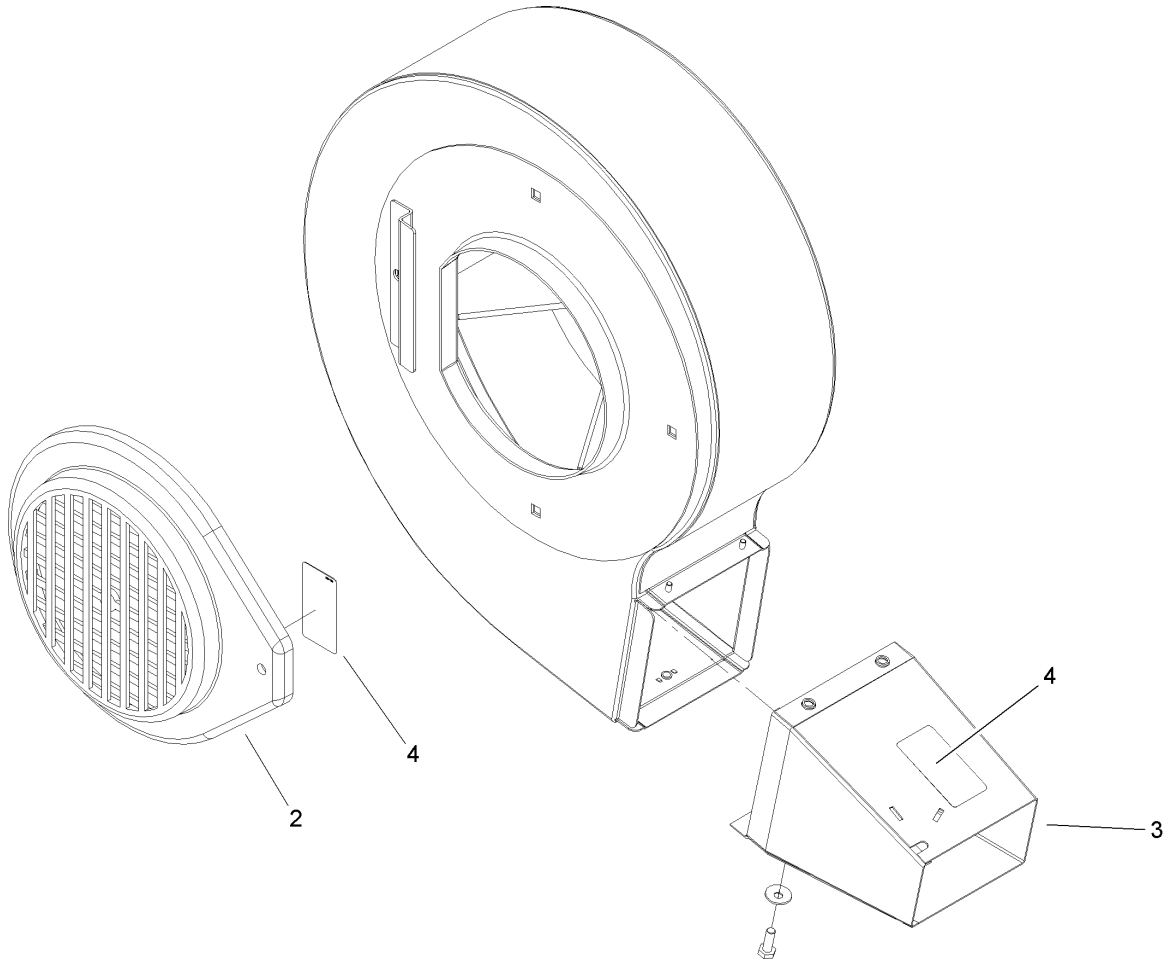
- | | | | |
|---|---|---|---|
| ❶ | Not serviced separately | ❷ | Included in Gasket Set-Ref. 358. |
| ❸ | Included in Engine Gasket Set-Ref. 358. | ❹ | Included in Valve Gasket Set-Ref. 1095. |
| ❺ | Included in Carburetor Overhaul Kit-Ref. 121. | ❻ | Included in Carburetor Gasket Set-Ref. 977. |
| ❽ | Obtain parts from your local Briggs & Stratton dealer | | |



Blower and Snout Assembly

Ref	Part No.	Qty.	Description
2	93-4139	2	Decal-Bag Caution
3	32144-70	1	Screw-HH
4	20-6130-01	1	Vacuum Chute ASM
5	105-1233-03	1	Bracket-Mounting, Housing
6	3296-58	4	Nut-Lock NI
7	321-2	1	Screw-HH
8	3290-436	1	Washer-Belleville
9	3230-19	1	Screw-CARR
10	20-5890-01	1	Housing-Blower ASM
11	93-3677-03	1	Fan ASM
12	3290-340	1	Washer-Belleville
13	3211-5	1	Screw-HH
14	3296-47	4	Nut-Lock, NI
15	20-5450-01	1	Cover-Blower ASM
16	105-4062	1	Decal-Warning, Rotate
18	3256-23	3	Washer-Flat
20	105-8519	1	Decal - Toro Vacuum
21	40-7000	1	Snout ASM
21:1	20-6830	1	Rubber Flap
21:2	20-6840-03	1	Clamp-Flap
21:3	3256-51	5	Washer-Flat
21:4	3269-22	5	Rivet-Pop
22	3230-3	3	Screw-CARR
23	3217-6	3	Nut-Hex

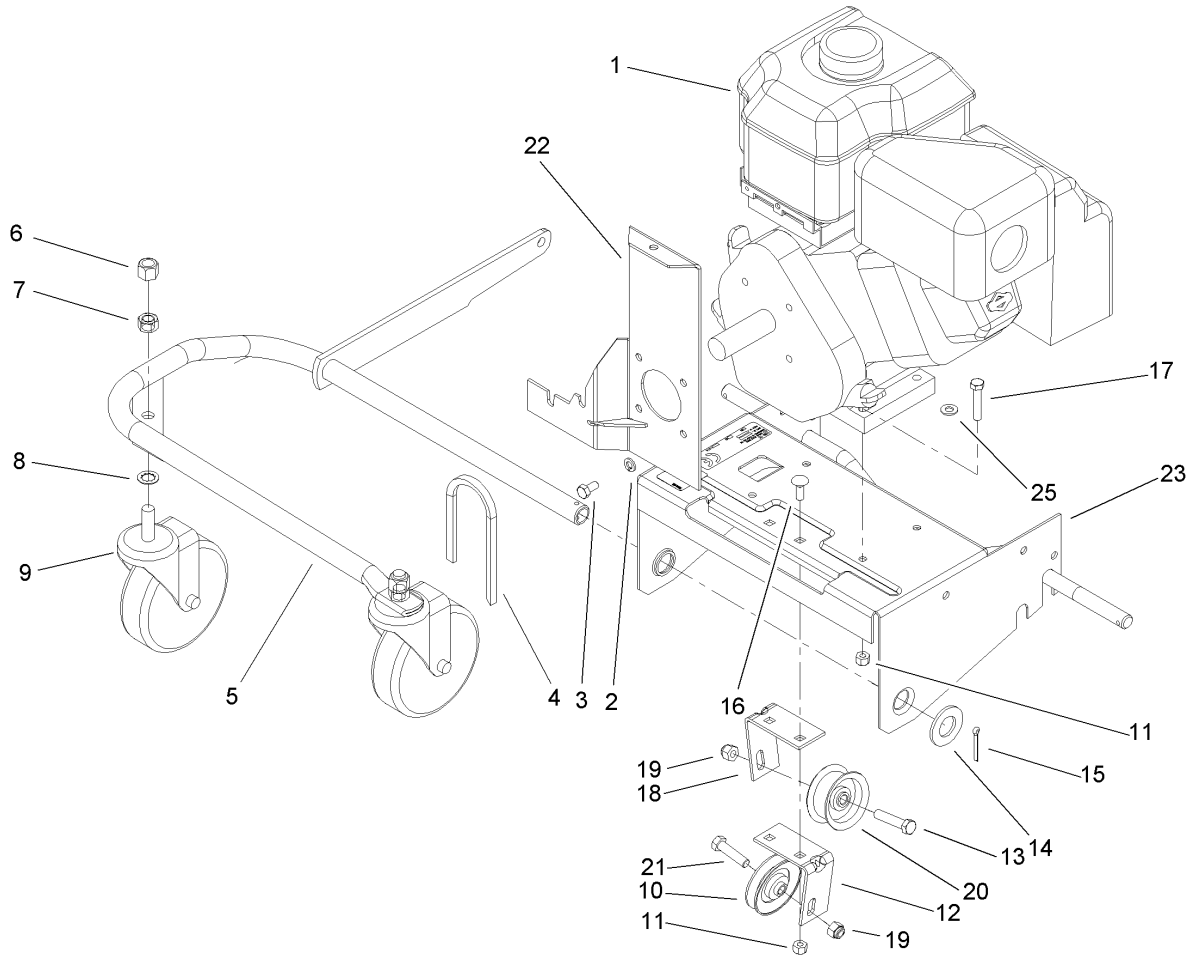
Ref	Part No.	Qty.	Description
24	105-8543-03	1	Flange-Retainer



Blower Assembly

Ref	Part No.	Qty.	Description
2	20-5780	1	Intake-Blower
3	93-4124-01	1	Exhaust-Blower
4	93-4139	2	Decal-Bag Caution

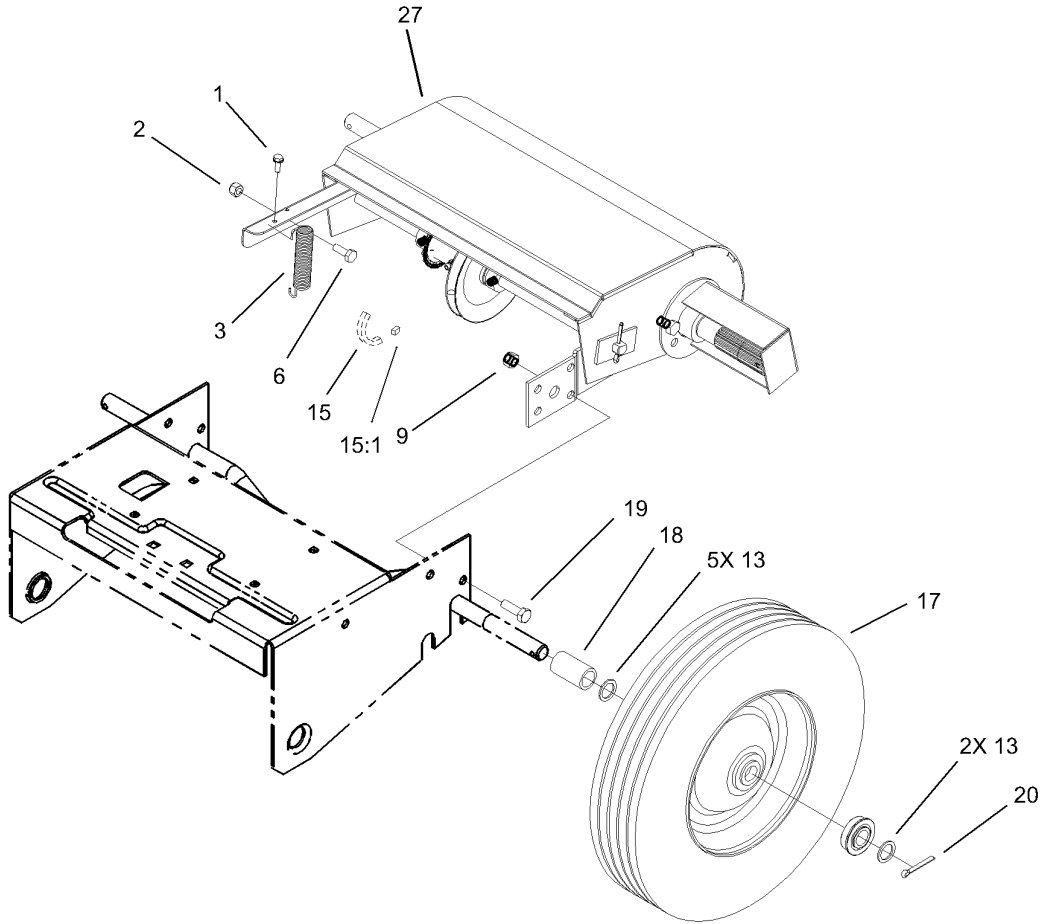
--	--	--	--



Engine and Front Wheel Assembly

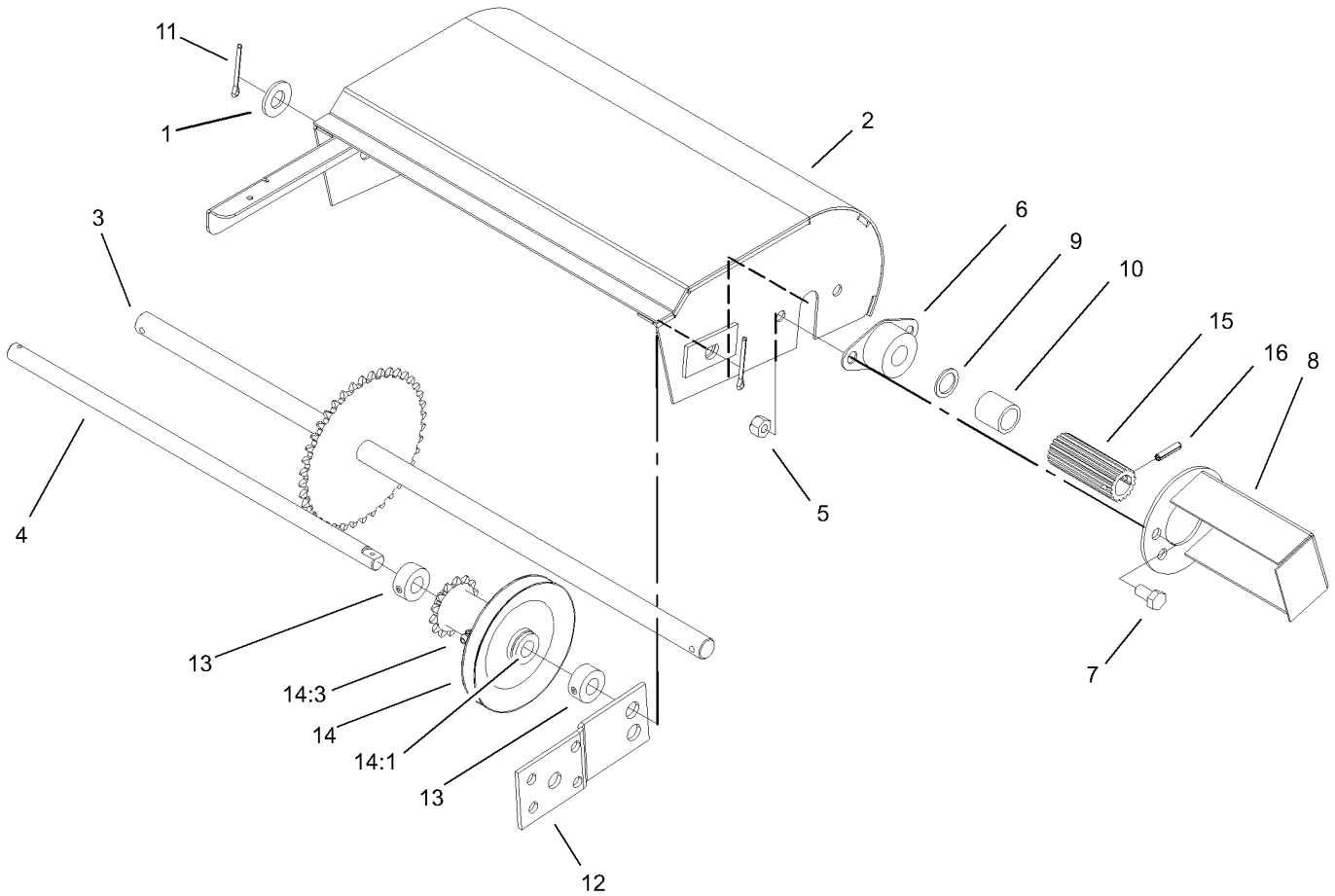
Ref	Part No.	Qty.	Description
1		1	Engine Briggs And Stratton Model No. 126402-0245-E1
1		1	Engine Briggs And Stratton Model No. 126302-0245-E1
2	3253-4	4	Washer-Lock
3	3210-2	4	Screw-HH
4	20-5990	1	V Belt
5	93-4146-03	1	Support-Wheel, Front ASM
6	3296-23	2	Nut-Lock, NI
7	3217-9	2	Nut-Hex
8	3254-4	2	Washer-Lock/int
9	23-3320	2	Caster
10	12-5820	1	Pulley-Idler
11	3296-29	6	Nut-Lock, NI
12	20-8690-03	1	Bracket-Idler Mount, LH
13	323-9	1	Screw-HH
14	3256-29	1	Washer-Flat
15	3272-17	1	Pin-Cotter
16	3230-1	2	Bolt-CARR
17	322-8	4	Screw-HH
18	20-8680-03	1	Bracket-Idler Mount, RH
19	3296-39	2	Nut-Lock, NI
20	12-6700	1	Pulley-Idler
21	323-8	1	Screw-HH

Ref	Part No.	Qty.	Description
22	105-1232-03	1	Bracket-Stabalizer ASM
23	20-5560-03	1	Plate-Engine ASM
25	3256-23	1	Washer-Flat



Traction and Wheel Assembly

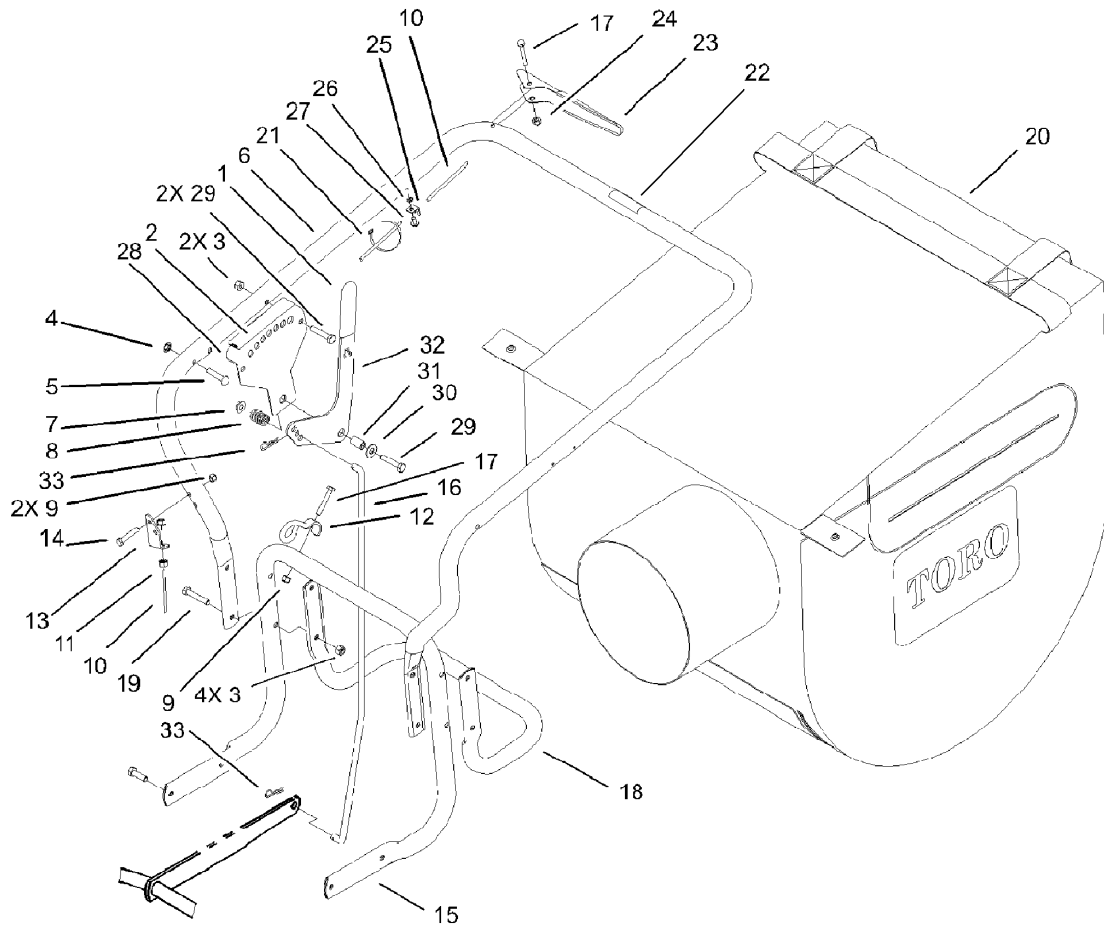
Ref	Part No.	Qty.	Description
1	32140-32	1	Screw-HH
2	95-5768	1	Nut-Lock NI
3	23-3520	1	Spring-Traction
6	25-8640	1	Screw-HH
9	3296-29	6	Nut-Lock, NI
13	7-3590	7	Washer
15	3-3434	1	Chain-Roller, Reel Drive
15:1	2710-31	1	Link-Connecting #35
17	20-6100	2	Wheel
18	20-5410	2	Spacer-Axle
19	322-5	6	Screw-HH
20	3272-17	2	Pin-Cotter
27		1	Traction ASM



Traction Assembly

Ref	Part No.	Qty.	Description
1	3256-26	1	Washer-Flat
2	93-8461-03	1	Guard
3	20-7270	1	Shaft-Friction Wheel
4	20-5870	1	Shaft-Idler
5	3296-29	4	Nut-Lock, NI
6	106-2780	2	Bearing - Flange
7	322-2	4	Screw-HH
8	37-9210-03	2	Guard-Sp
9	7-3590	2	Washer
10	20-5460	2	Spacer
11	3272-7	2	Pin-Cotter
12	43-6830-03	2	Bracket-Mounting
13	20-5950	2	Collar-Set Screw
14	20-6000	1	Idler ASM
14:1	256-105	2	Bushing-Flange
14:3	302-5	1	Fitting-Grease
15	20-5960	2	Wheel-Friction
16	32121-4	2	Pin-Roll, Slotted

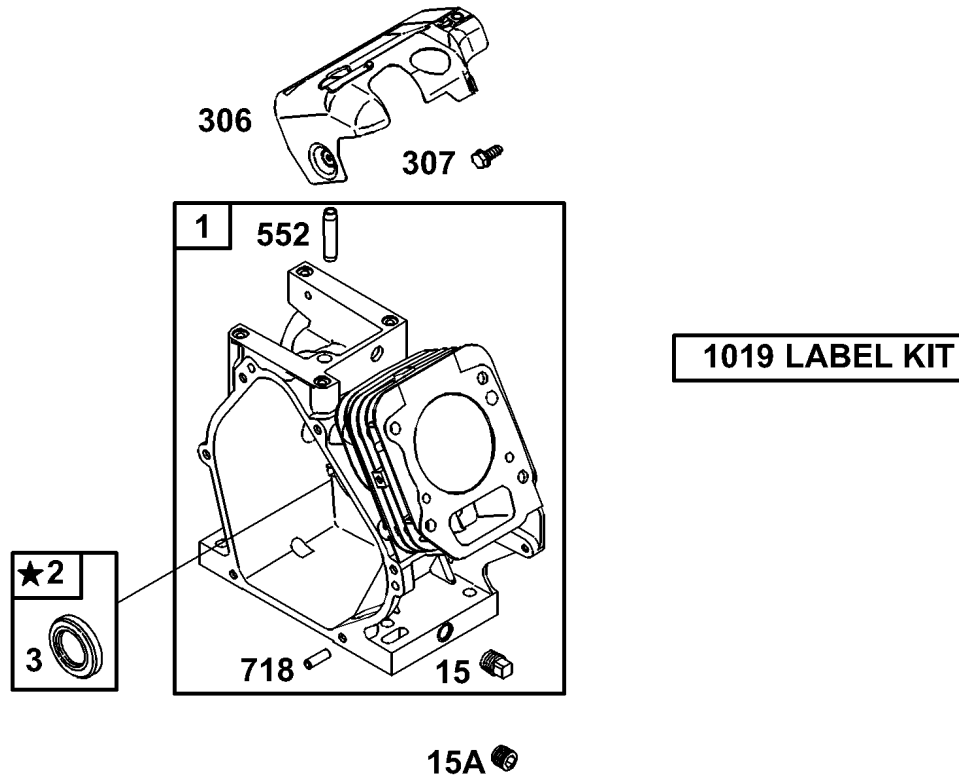
--	--	--	--



Handle and Vacuum Bag Assembly

Ref	Part No.	Qty.	Description
1	3-7877	1	Grip-Handle
2	93-4137	1	Decal-Height Adjustment
3	3296-29	6	Nut-Lock, NI
4	3290-418	2	Nut-Push In
5	3263-9	2	Rivet-Button Head
6	23-3570	1	Handle-Upper, Vacuum
7	32128-13	1	Nut-HF
8	20-6110	1	Spring-Compression
9	3296-42	3	Nut-Lock, NI
10	105-1234	1	Cable-Traction
11	32149-5	2	Nut-Keps
12	46-8082	1	Guide-Rope
13	33-2830	1	Mount-Bowden, Lower
14	321-9	2	Screw-HH
15	105-1236	1	Handle-Lower
16	105-1235	1	Rod-Height Adjust
17	321-10	2	Screw-HH
18	66-1640-03	1	Support-Bag
19	322-9	4	Screw-HH
20	105-1245	1	Bag-Vacuum
21	3290-378	1	Tie-Cable
22	93-4141	1	Decal-Traction Control
23	93-8464	1	Lever W/grip
24	32111-7	1	Nut-Cap

Ref	Part No.	Qty.	Description
25	20-8780	1	Retaining-Clip
26	3255-17	1	Washer-Lock/ext
27	32144-112	1	Screw-HWH
28	20-5820-03	1	Bracket-Adjustment
29	322-8	3	Screw-HH
30	3256-3	1	Washer-Flat
31	20-5650	1	Spacer-Adjust
32	23-3410-03	1	Handle-Height Adjust
33	3290-250	2	Pin-Hair



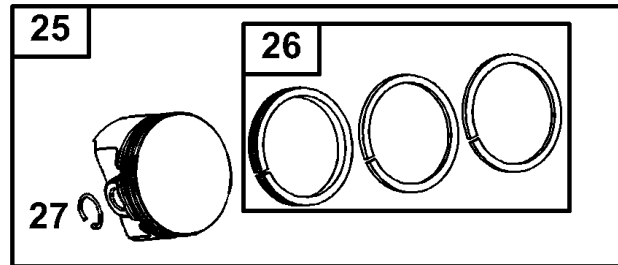
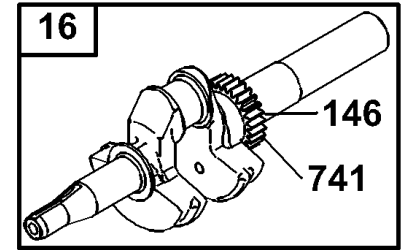
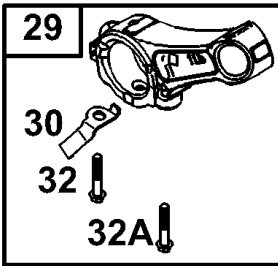
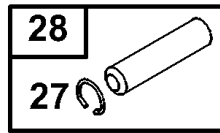
★ REQUIRES SPECIAL TOOLS TO INSTALL. SEE REPAIR INSTRUCTION MANUAL.

Assemblies include all parts shown in frames.

Cylinder Assembly

Engine Briggs and Stratton Model 126402-0245-E1

Ref	Part No.	Qty.	Description				
1	693811	1	Cylinder ASM				
2	399269	1	Bushing/seal Kit (Magneto Side)				
3	299819	1	Oil Seal (Magneto Side)				
15	691686	1	Oil Drain Plug (Square Head)				
15A	691682	1	Oil Drain Plug (Flush)				
306	693610	1	Cylinder Shield				
307	690345	1	Screw (Cylinder Shield)				
552	692346	1	Governor Crank Bushing				
718	690959	1	Locating Pin				
1019	694851	1	Label Kit				

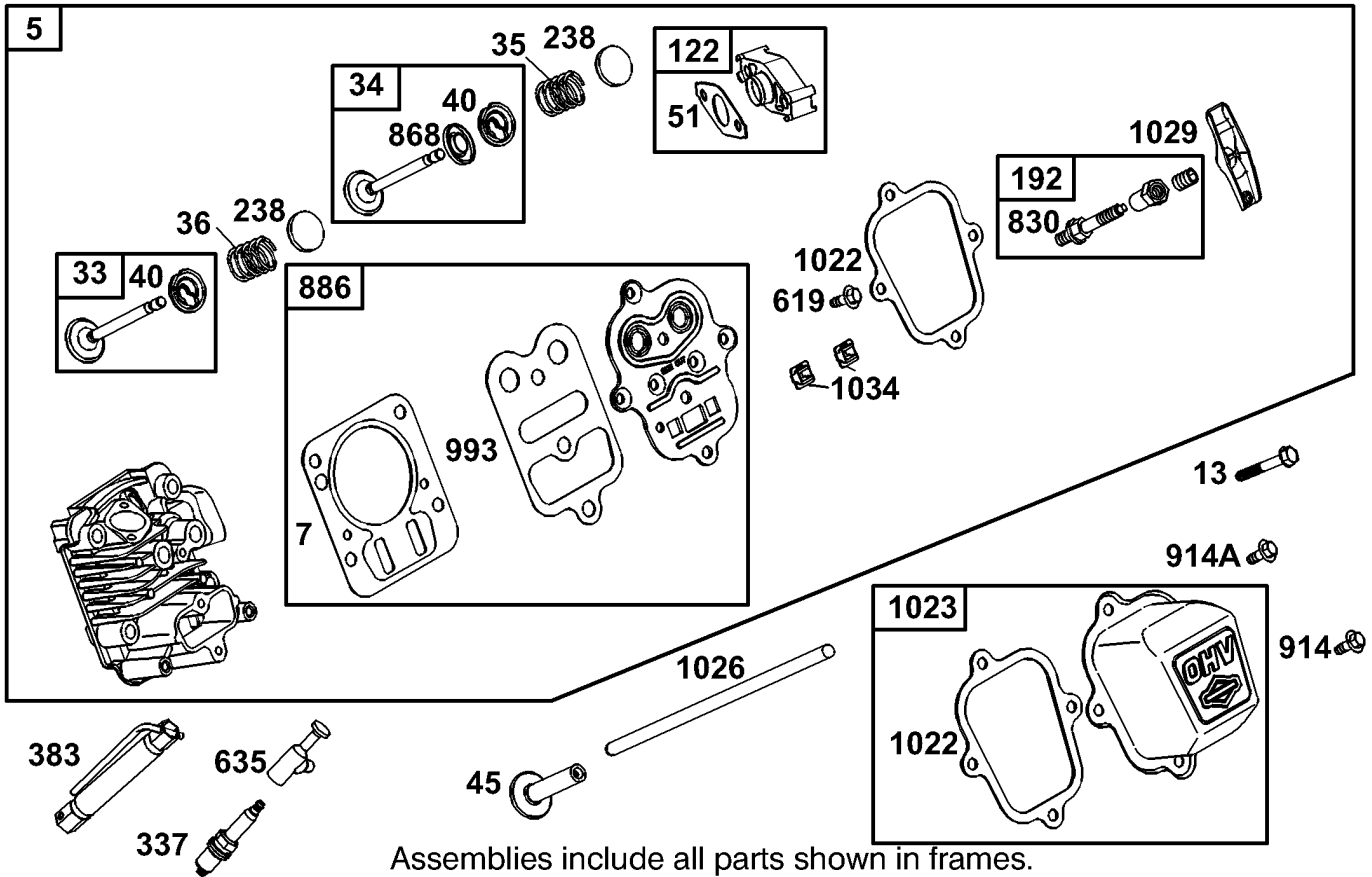


Assemblies include all parts shown in frames.

Crankshaft Assembly Engine Briggs and Stratton Model 126402-0245-E1

Ref	Part No.	Qty.	Description
16	693596	1	Crankshaft
24	222698	1	Flywheel Key
25	690021	1	Piston Assembly (Standard)
	694167	1	Piston ASM (.010in Oversize)
	694168	1	Piston Assembly (.020in Oversize)
	694169	1	Piston ASM (.030in Oversize)
26	499631	1	Ring Set (Standard)
	692785	1	Ring Set (.010in Oversize)
	692786	1	Ring Set (.020in Oversize)
	692787	1	Ring Set (.030in Oversize)
27	691866	1	Piston Pin Lock
28	499423	1	Piston Pin
29	690124	1	Connecting Rod
30	692562	1	Connecting Rod Dipper
32	691664	1	Screw (Connecting Rod)
32A	695759	1	Screw (Connecting Rod)
146	690979	1	Timing Key
741	695087	1	Timing Gear

--	--	--	--

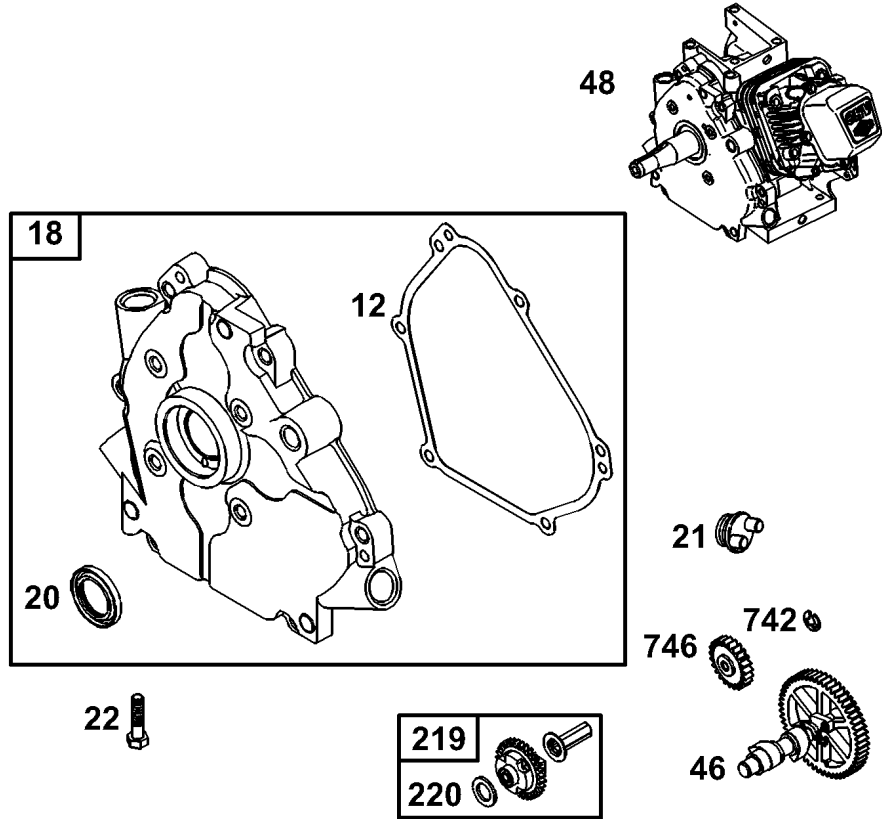


Cylinder Head Assembly

Engine Briggs and Stratton Model 126402-0245-E1

Ref	Part No.	Qty.	Description
75	693643	1	Cylinder Head
47	695166	1	Cylinder Head Gasket
13	691137	1	Screw (Cylinder Head)
33	499642	1	Exhaust Valve
34	499641	1	Intake Valve
35	691304	1	Valve Spring (Exhaust)
36	691304	1	Valve Spring (Exhaust)
40	692194	1	Valve Retainer
45	690977	1	Valve Tappet
451	692555	1	Intake Gasket
5122	693749	1	Carburetor Spacer
192	694543	1	Rocker Arm Adjuster
238	691300	1	Valve Cap
337	691043	1	Spark Plug
383	19374	1	Spark Plug Wrench
619	691108	1	Screw (Cylinder Head Plate)
635	692076	1	Spark Plug Boot
830	694544	1	Rocker Arm Stud
868	692044	1	Valve Seal
886	696268	1	Cylinder Head/plate Gasket Kit
914	692198	1	Screw (Rocker Cover)

Ref	Part No.	Qty.	Description
914A	692557	1	Screw (Rocker Cover) (Top)
993	694088	1	Cylinder Head Plate Gasket
1022	691890	1	Rocker Cover Gasket
1023	499924	1	Rocker Cover
1026	693517	1	Push Rod
1029	691230	1	Rocker Arm
1034	691343	1	Push Rod Guide

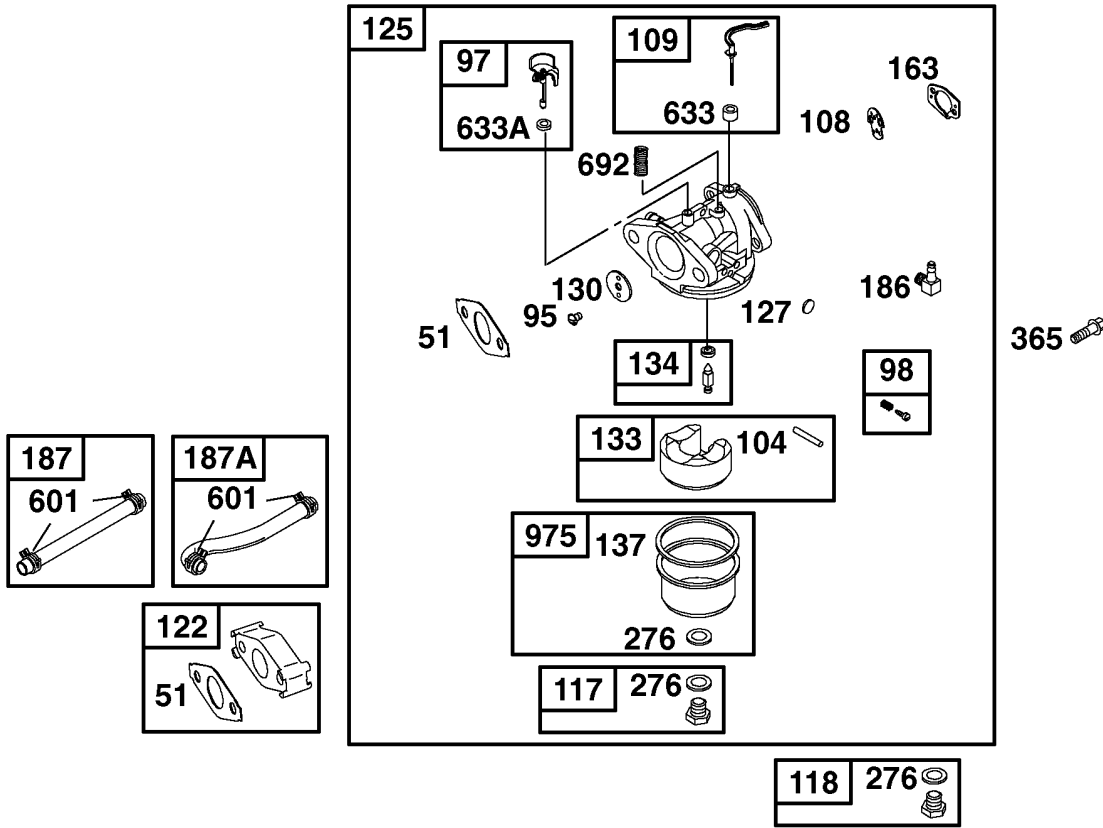


Assemblies include all parts shown in frames.

Crankcase Assembly Engine Briggs and Stratton Model 126402-0245-E1

Ref	Part No.	Qty.	Description
● 12	692549	1	Crankcase Cover Gasket
● 18	694466	1	Crankcase Cover
● 20	692550	1	Oil Seal (Pto Side)
● 21	281658	1	Oil Fill Cap
● 22	692551	1	Screw (Crankcase Cover/sump)
● 46	693404	1	Camshaft
● 48	693781	1	Short Block
● 219	693578	1	Governor Gear
● 220	691724	1	Washer (Governor Gear)
● 742	692564	1	E-ring Retainer
● 746	692566	1	Idler Gear

--	--	--	--

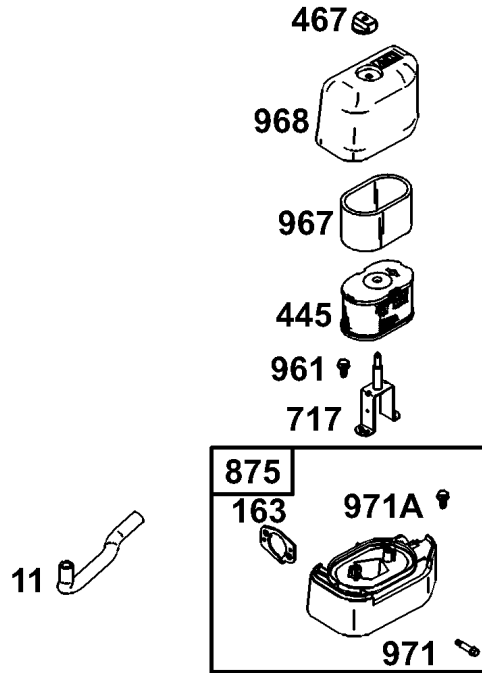


Assemblies include all parts shown in frames.

Carburetor Assembly Engine Briggs and Stratton Model 126402-0245-E1

Ref	Part No.	Qty.	Description
5 4 51	692555	1	Intake Gasket
5 6			
7 95	691636	1	Screw (Throttle Valve)
7 97	690024	1	Throttle Shaft
7 98	398185	1	Idle Speed Kit
5 7 104	691242	1	Float Hinge Pin
7 108	692567	1	Choke Valve
7 109	693628	1	Choke Shaft
7 117	498978	1	Main Jet (Standard)
7 118	497466	1	Main Jet (High Altitude)
5 5 122	693749	1	Carburetor Spacer
7			
7 125	697028	1	Carburetor
5 7 127	691739	1	Welch Plug
7 130	691181	1	Throttle Valve
7 133	398187	1	Carburetor Float
5 7 134	398188	1	Needle/seat Kit
5 6 137	693981	1	Float Bowl Gasket
7			
5 5 163	696979	1	Air Cleaner Gasket
6 7			
7 186	692317	1	Hose Connector
7 187	691050	1	Fuel Line (Cut To Required Length)
7 187A	692601	1	Line-fuel (Molded)

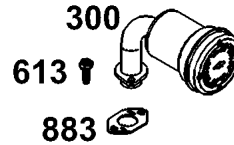
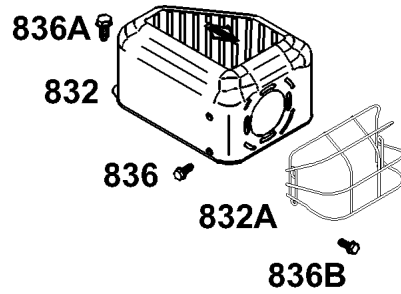
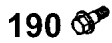
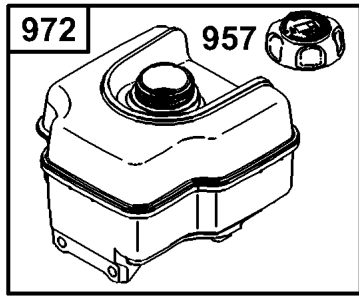
Ref	Part No.	Qty.	Description
5 6 276	271716	1	Sealing Washer
7			
7 365	692568	1	Screw (Carburetor)
7 601	95162	1	Hose Clamp
5 6 633	693867	1	Choke/throttle Shaft Seal
7			
5 6 633A	691321	1	Choke/throttle Shaft Seal
7			
7 692	690572	1	Detent Spring
7 975	493640	1	Float Bowl



Assemblies include all parts shown in frames.

Air Cleaner Assembly Engine Briggs and Stratton Model 126402-0245-E1

Ref	Part No.	Qty.	Description				
7 11	693647	1	Breather Tube				
9 5 163	696979	1	Air Cleaner Gasket				
6 7							
7 445	697029	1	Air Cleaner Cartridge Filter				
7 467	691668	1	Air Cleaner Knob				
7 717	693462	1	Air Cleaner Bracket				
7 875	697030	1	Air Cleaner Base				
7 961	693598	1	Screw (Air Cleaner Bracket)				
7 967	273356	1	Pre-cleaner Filter				
7 968	693460	1	Air Cleaner Cover				
7 971	690349	1	Screw (Air Cleaner Base)				
7 971A	691693	1	Screw (Oil Fill Bracket)				

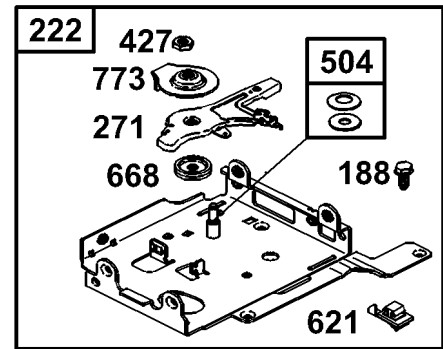
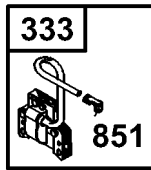
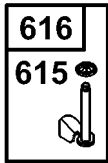
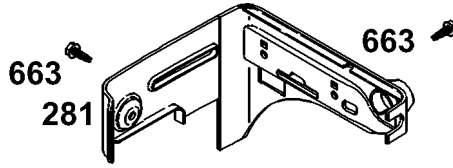
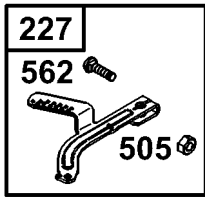


Assemblies include all parts shown in frames.

Muffler and Fuel Tank Assembly Engine Briggs and Stratton Model 126402-0245-E1

Ref	Part No.	Qty.	Description
⑦300	693593	1	Muffler
⑦190	692127	1	Screw (Fuel Tank)
⑦613	691665	1	Screw (Muffler)
⑦832	693583	1	Muffler Guard
⑦832A	696516	1	Muffler Guard
⑦836	690661	1	Screw (Muffler Guard)
⑦836A	693624	1	Screw (Muffler Guard)
⑦836B	696519	1	Screw (Muffler Guard)
⑧⑦883	691893	1	Exhaust Gasket
⑦957	694261	1	Fuel Tank Cap
⑦958	692586	1	Fuel Shut Off Valve
⑦972	694260	1	Fuel Tank

--	--	--	--



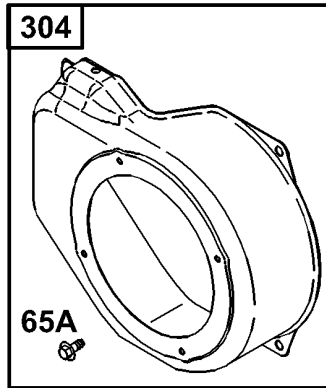
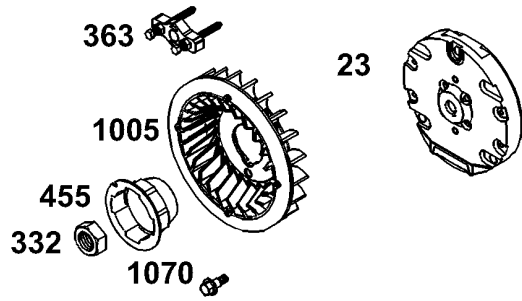
Assemblies include all parts shown in frames.


Governor Assembly

Engine Briggs and Stratton Model 126402-0245-E1

Ref	Part No.	Qty.	Description
188	690877	1	Screw (Control Bracket)
209	692571	1	Governor Spring
209A	691278	1	Governor Spring
222	694253	1	Control Bracket
227	692573	1	Governor Control Lever
281	694252	1	Control Panel
333	695711	1	Magneto Armature
334	691061	1	Screw (Magneto Armature)
505	691251	1	Nut (Governor Control Lever)
562	691112	1	Bolt (Governor Control Lever)
615	692576	1	Governor Shaft Retainer
616	692547	1	Governor Crank
632	693408	1	Mechanical Governor Spring/link
663	694593	1	Screw (Control Panel)
851	493880	1	Sparkplug Terminal

--	--	--	--



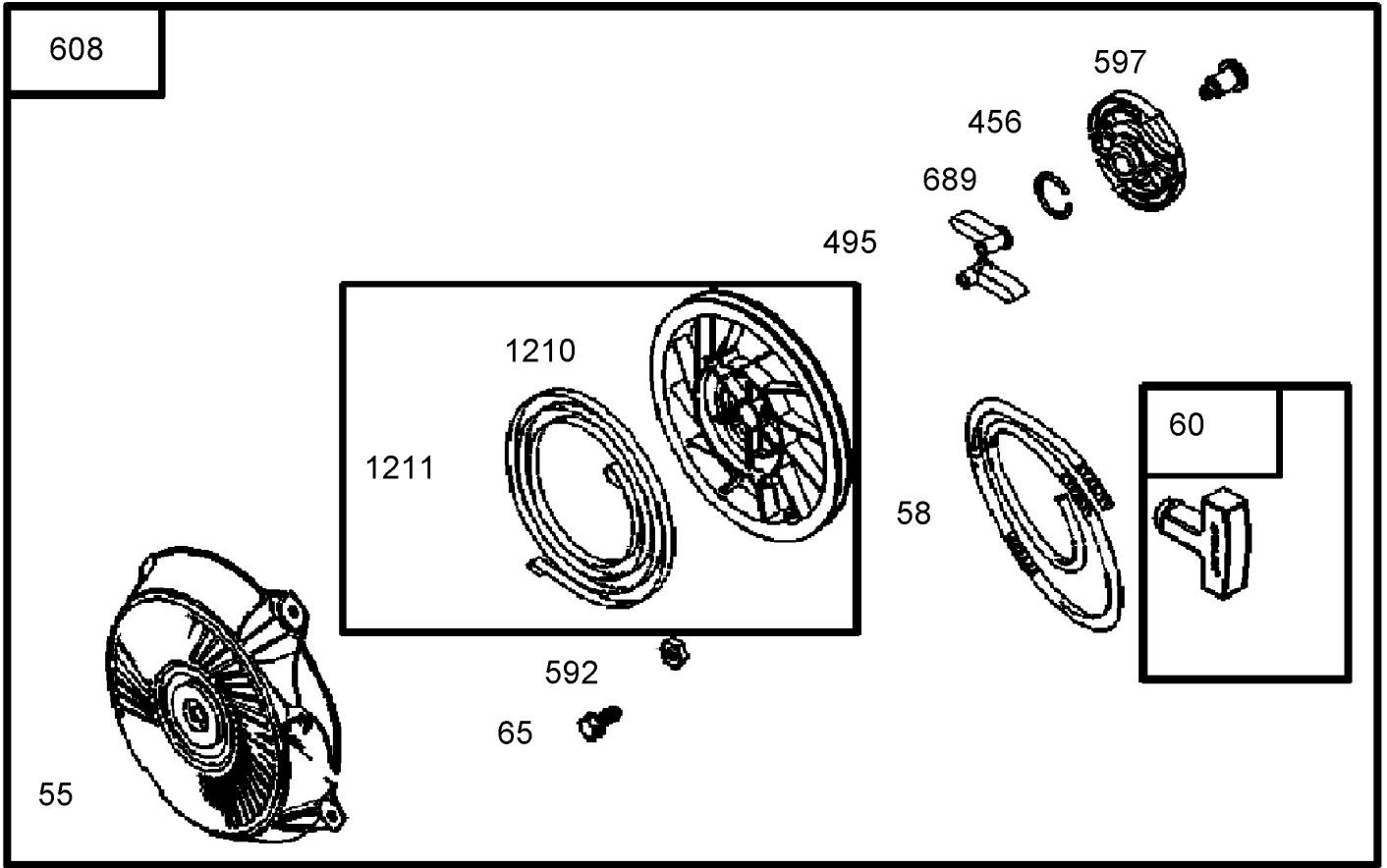
305 

1036 EMISSION LABEL

Assemblies include all parts shown in frames.

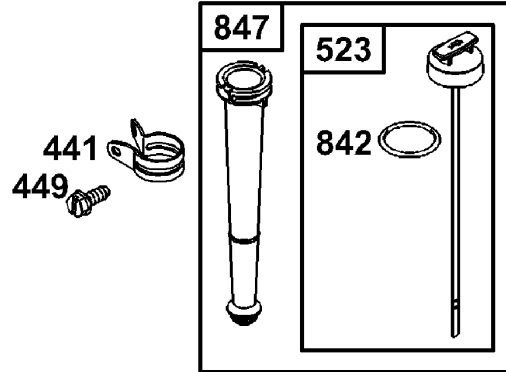
Blower Housing Assembly Engine Briggs and Stratton Model 126402-0245-E1

Ref	Part No.	Qty.	Description				
●23	692987	1	Flywheel				
●65A	692608	1	Screw (Rewind Housing)				
●304	693621	1	Blower Housing				
●305	690960	1	Screw (Blower Housing)				
●332	690662	1	Nut (Flywheel Fan)				
●363	19069	1	Flywheel Puller				
●455	692591	1	Flywheel Cup				
●1005	692592	1	Flywheel Fan				
●1036	697004	1	Emission Label				
●1070	692590	1	Screw (Flywheel Fan)				



Starter Assembly Engine Briggs and Stratton Model 126402-0245-E1

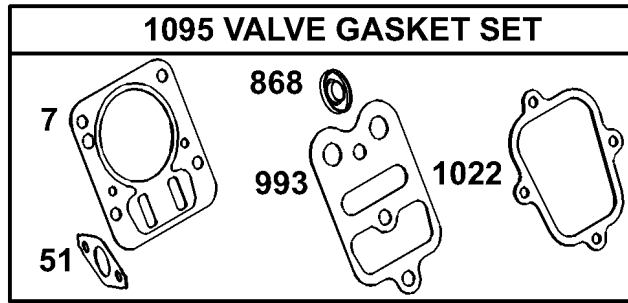
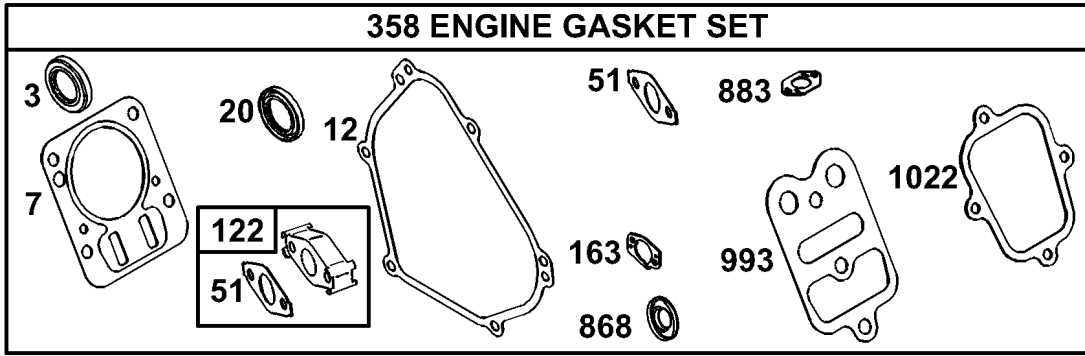
Ref	Part No.	Qty.	Description
55	691422	1	Rewind Starter Housing
58	693389	1	Starter Rope (Cut To Required Length)
59	805957	1	Grip Insert
60	715257	1	Starter Rope Grip
65	690837	1	Screw (Rewind Starter)
456	692299	1	Pawl Friction Plate
459	281505	1	Ratchet Pawl
592	690800	1	Nut (Rewind Starter)
597	691696	1	Screw (Pawl Friction Plate)
608	693394	1	Rewind Starter
689	691855	1	Friction Spring
1210	498144	1	Pulley/spring ASM
1211	498144	1	Pulley/spring ASM



Oil Filter, Tube and Pump Assembly Engine Briggs and Stratton Model 126402-0245-E1

Ref	Part No.	Qty.	Description
④441	694262	1	Oil Fill Bracket
④449	691693	1	Screw (Oil Fill Bracket)
④523	693618	1	Dipstick
④842	691031	1	O Ring Seal (Dipstick Tube)
④847	693617	1	Dipstick/tube ASM

--	--	--	--

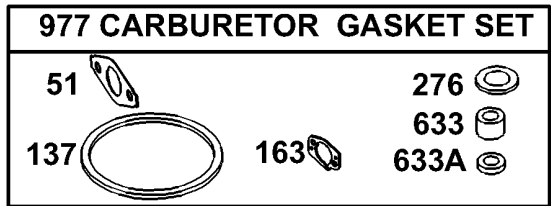
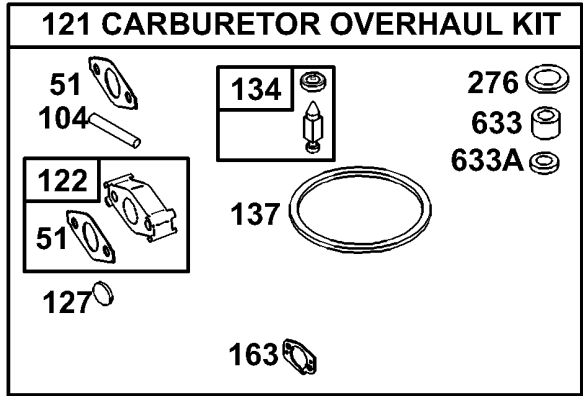


Assemblies include all parts shown in frames.

Gasket Assembly

Engine Briggs and Stratton Model 126402-0245-E1

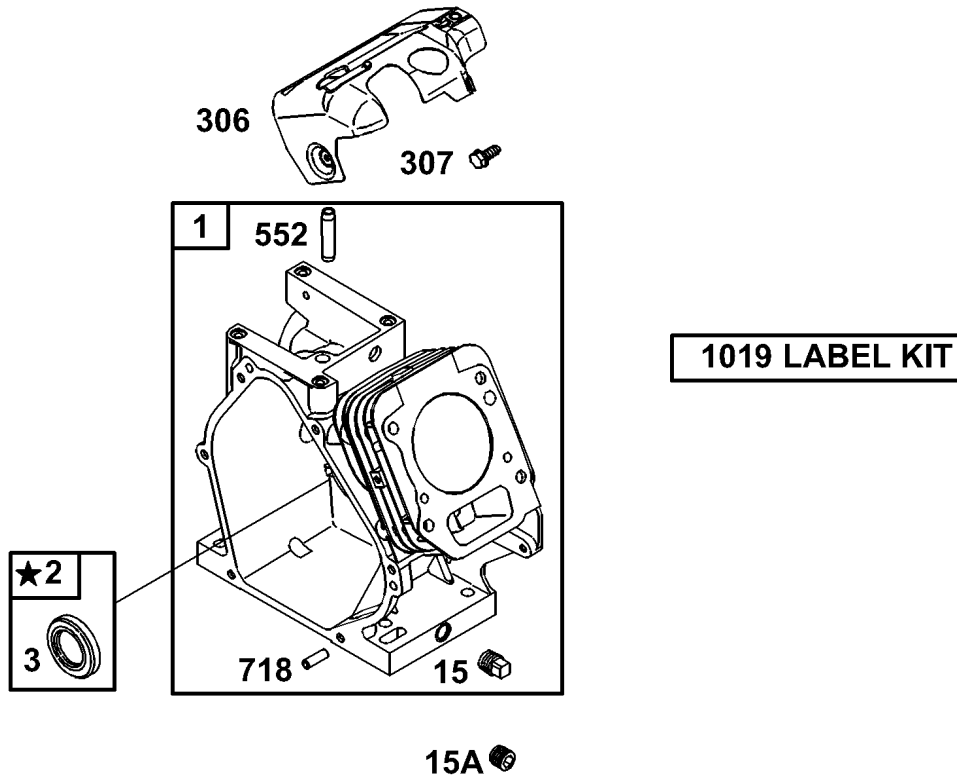
Ref	Part No.	Qty.	Description
373	299819	1	Oil Seal (Magneto Side)
477	695166	1	Cylinder Head Gasket
712	692549	1	Crankcase Cover Gasket
720	692550	1	Oil Seal (Pto Side)
451	692555	1	Intake Gasket
56122	693749	1	Carburetor Spacer
5163	696979	1	Air Cleaner Gasket
67358	697000	1	Engine Gasket Set
4868	692044	1	Valve Seal
7883	691893	1	Exhaust Gasket
4993	694088	1	Cylinder Head Plate Gasket
41022	691890	1	Rocker Cover Gasket
71095	695289	1	Valve Gasket Set



Assemblies include all parts shown in frames.

Carburetor Overhaul Kit Assembly Engine Briggs and Stratton Model 126402-0245-E1

Ref	Part No.	Qty.	Description				
5 4 51	692555	1	Intake Gasket				
5 6							
5 7 104	691242	1	Float Hinge Pin				
7 121	696998	1	Carburetor Overhaul Kit				
5 5 122	693749	1	Carburetor Spacer				
7							
5 7 127	691739	1	Welch Plug				
5 7 134	398188	1	Needle/seat Kit				
5 6 137	693981	1	Float Bowl Gasket				
7							
5 5 163	696979	1	Air Cleaner Gasket				
6 7							
5 6 276	271716	1	Sealing Washer				
7							
5 6 633	693867	1	Choke/throttle Shaft Seal				
7							
5 6 633A	691321	1	Choke/throttle Shaft Seal				
7							
7 977	697001	1	Carburetor Gasket Set				



★ REQUIRES SPECIAL TOOLS TO INSTALL. SEE REPAIR INSTRUCTION MANUAL.

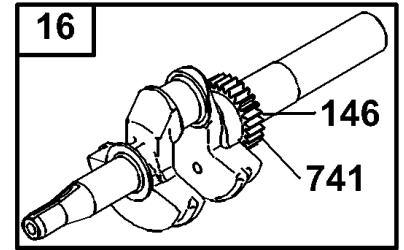
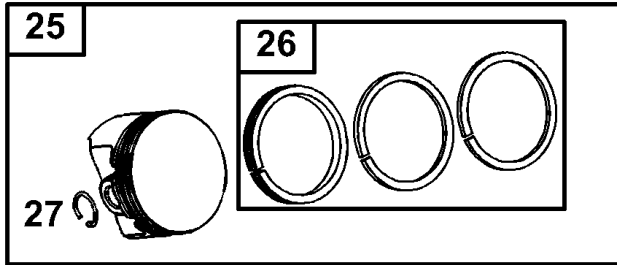
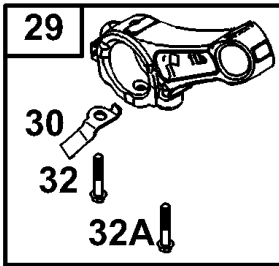
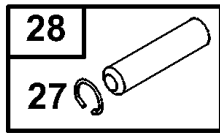
Assemblies include all parts shown in frames.

Cylinder Assembly

Engine Briggs and Stratton Model 126302-0245-E1

Ref	Part No.	Qty.	Description
1	699510	1	Cylinder ASM
2	399269	1	Bushing/seal Kit (Magneto Side)
3	299819	1	Oil Seal (Magneto Side)
15	691686	1	Oil Drain Plug (Square Head)
15A	691682	1	Oil Drain Plug (Flush)
306	693610	1	Cylinder Shield
307	699483	1	Screw (Cylinder Shield)
552	692346	1	Governor Crank Bushing
718	690959	1	Locating Pin
1019	694852	1	Label Kit

--	--	--	--

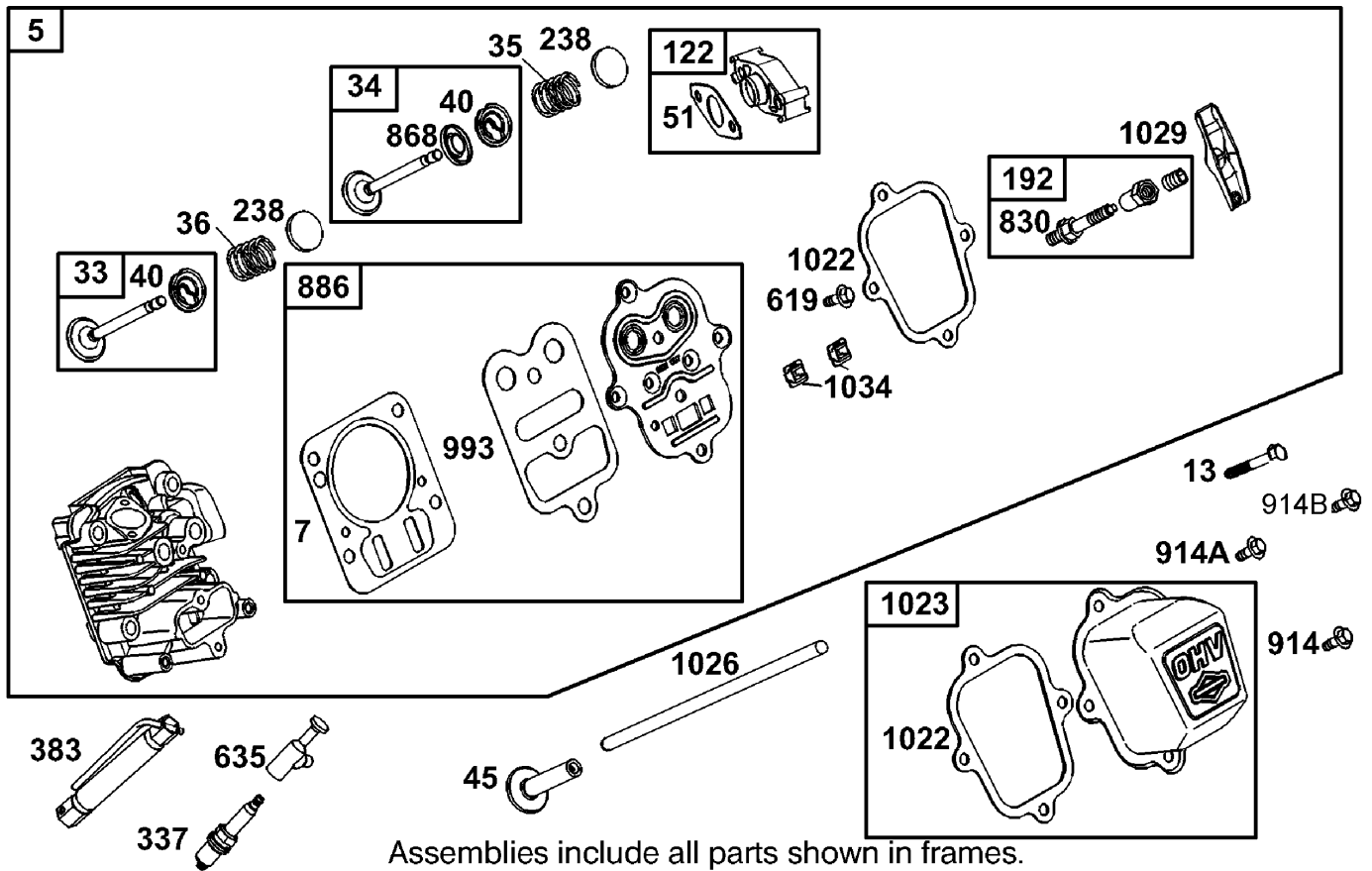


Assemblies include all parts shown in frames.

Crankshaft Assembly Engine Briggs and Stratton Model 126302-0245-E1

Ref	Part No.	Qty.	Description
16	699452	1	Crankshaft
24	222698	1	Flywheel Key
25	690021	1	Piston Assembly (Standard)
	694168	1	Piston Assembly (.020in Oversize)
26	499631	1	Ring Set (Standard)
	692786	1	Ring Set (.020in Oversize)
27	691866	1	Piston Pin Lock
28	499423	1	Piston Pin
29	690124	1	Connecting Rod
30	692562	1	Connecting Rod Dipper
32	691664	1	Screw (Connecting Rod)
32A	695759	1	Screw (Connecting Rod)
146	690979	1	Timing Key
741	695087	1	Timing Gear

--	--	--	--

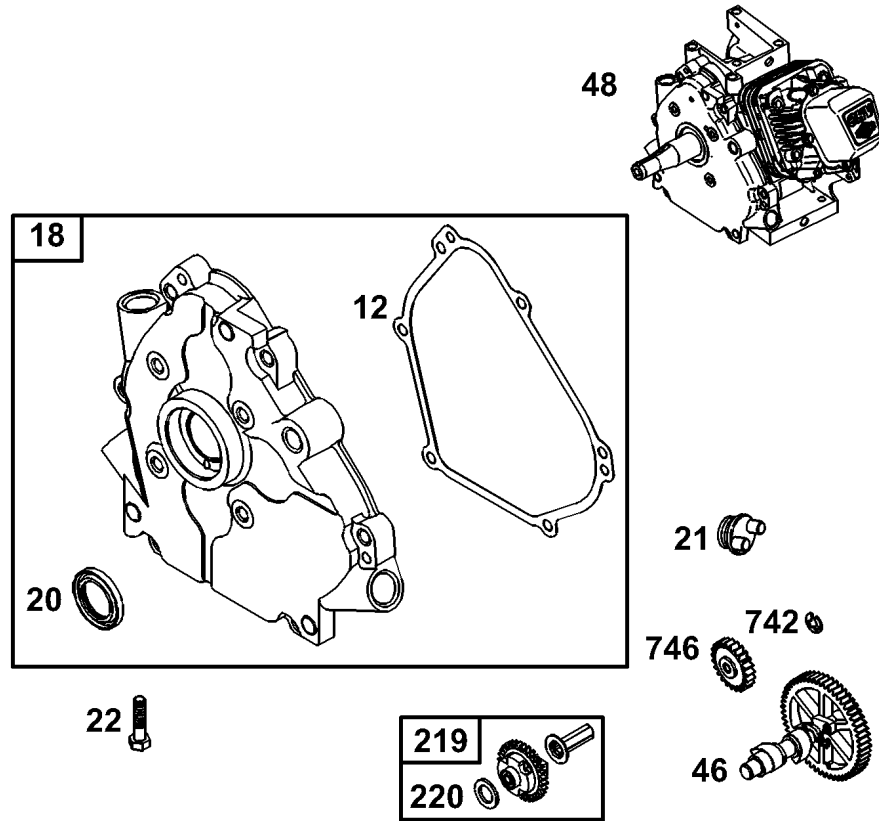


Cylinder Head Assembly

Engine Briggs and Stratton Model 126302-0245-E1

Ref	Part No.	Qty.	Description
75	699486	1	Cylinder Head
347	698210	1	Cylinder Head Gasket
7			
713	699482	1	Screw (Cylinder Head)
733	499642	1	Exhaust Valve
734	499641	1	Intake Valve
735	691304	1	Valve Spring (Exhaust)
736	691304	1	Valve Spring (Exhaust)
740	692194	1	Valve Retainer
745	690977	1	Valve Tappet
3451	692555	1	Intake Gasket
56			
25122	693749	1	Carburetor Spacer
7			
7192	694543	1	Rocker Arm Adjuster
7238	691300	1	Valve Cap
7337	691043	1	Spark Plug
7383	19374	1	Spark Plug Wrench
7619	699230	1	Screw (Cylinder Head Plate)
7635	692076	1	Spark Plug Boot
7830	694544	1	Rocker Arm Stud
34868	692044	1	Valve Seal
7			
7886	696268	1	Cylinder Head/plate Gasket Kit
7914	699481	1	Screw (Rocker Cover) (Bottom)

Ref	Part No.	Qty.	Description
7914A	692557	1	Screw (Rocker Cover) (Top)
7914B	697551	1	Screw (Rocker Cover) (Side)
34993	694088	1	Cylinder Head Plate Gasket
7			
341022	691890	1	Rocker Cover Gasket
7			
71023	499924	1	Rocker Cover
71026	790287	1	Push Rod
71029	691230	1	Rocker Arm
71034	691343	1	Push Rod Guide

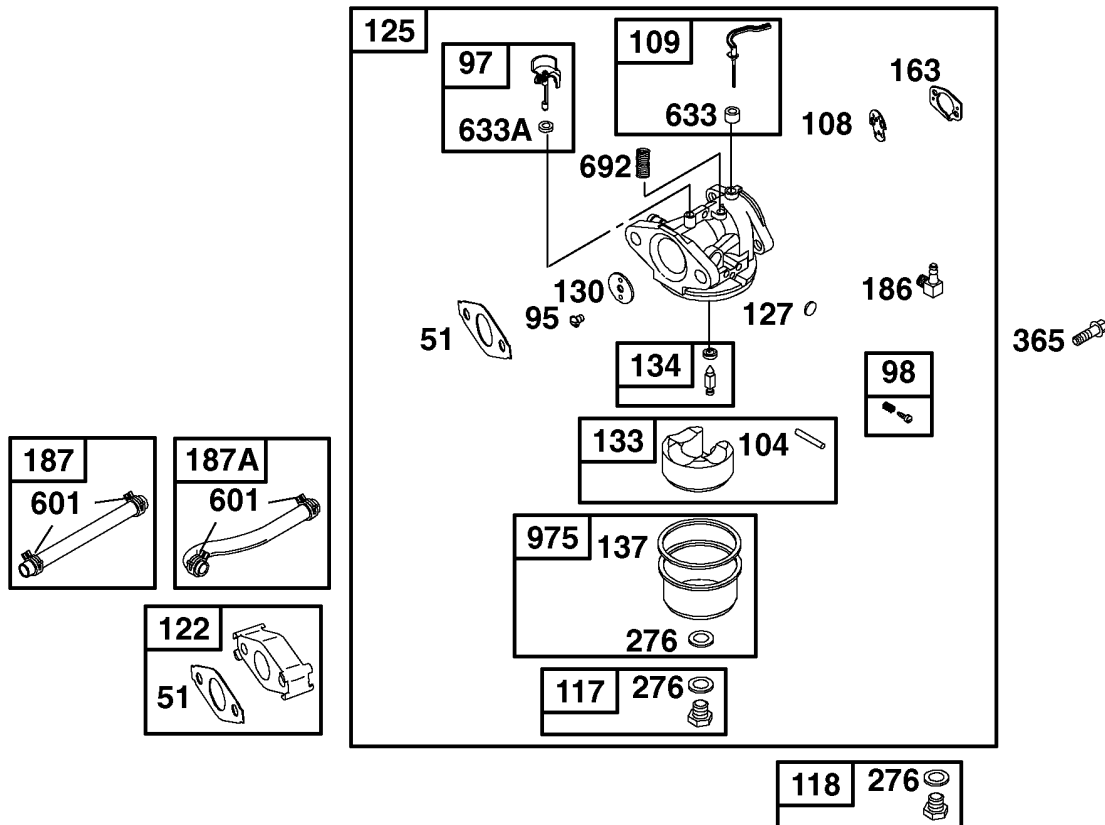


Assemblies include all parts shown in frames.

Crankcase Assembly Engine Briggs and Stratton Model 126302-0245-E1

Ref	Part No.	Qty.	Description
● 12	699485	1	Crankcase Cover Gasket
● 18	699696	1	Crankcase Cover
● 20	692550	1	Oil Seal (Pto Side)
● 21	281658	1	Oil Fill Cap
● 22	69478	1	Screw (Crankcase Cover/sump)
● 46	693404	1	Camshaft
● 48		1	Short Block (Not Available At This Time)
● 219	693578	1	Governor Gear
● 220	691724	1	Washer (Governor Gear)
● 742	692564	1	E-ring Retainer
● 746	692566	1	Idler Gear

--	--	--	--



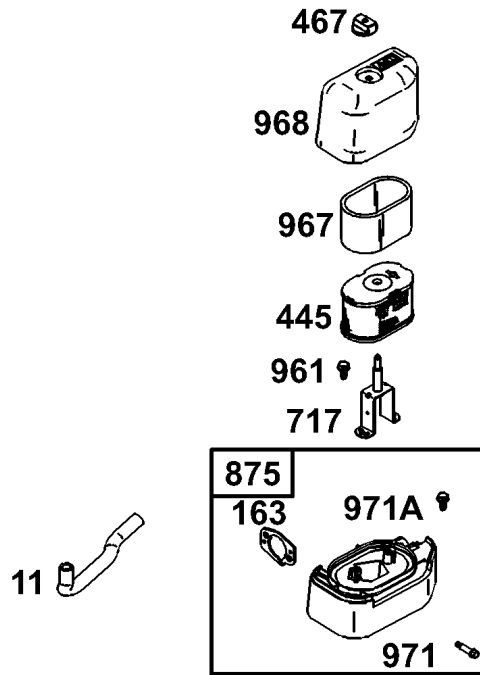
Assemblies include all parts shown in frames.

Carburetor Assembly

Engine Briggs and Stratton Model 126302-0245-E1

Ref	Part No.	Qty.	Description
⑤④51 ⑤⑥	692555	1	Intake Gasket
⑦95	691636	1	Screw (Throttle Valve)
⑦97	690024	1	Throttle Shaft
⑦98	398185	1	Idle Speed Kit
⑤⑦104	691242	1	Float Hinge Pin
⑦108	692567	1	Choke Valve
⑦109	693628	1	Choke Shaft
⑦117	697355	1	Main Jet (Standard)
⑦118	494870	1	Main Jet (High Altitude)
⑤⑤122 ⑦	693749	1	Carburetor Spacer
⑦125	697028	1	Carburetor
⑤⑦127	691739	1	Welch Plug
⑦130	691181	1	Throttle Valve
⑦133	398187	1	Carburetor Float
⑤⑦134	398188	1	Needle/seat Kit
⑤⑥137 ⑦	693981	1	Float Bowl Gasket
⑤⑤163 ⑥⑦	696979	1	Air Cleaner Gasket
⑦186	692317	1	Hose Connector
⑦187	691050	1	Fuel Line (Cut To Required Length)
⑦187A	187A	1	Line-fuel (Molded)

Ref	Part No.	Qty.	Description
⑤⑥276 ⑦	271716	1	Sealing Washer
⑦365	365	1	Screw (Carburetor)
⑦601	601	1	Hose Clamp
⑤⑥633 ⑦	693867	1	Choke/throttle Shaft Seal
⑤⑥633A ⑦	691321	1	Choke/throttle Shaft Seal
⑦692	692	1	Detent Spring
⑦975	975	1	Float Bowl

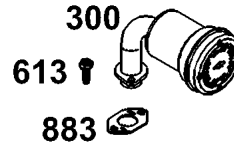
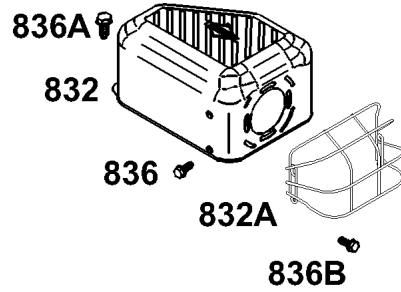
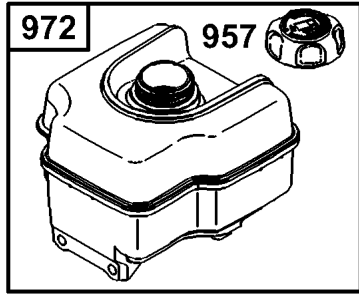


Assemblies include all parts shown in frames.

Air Cleaner Assembly

Engine Briggs and Stratton Model 126302-0245-E1

Ref	Part No.	Qty.	Description				
7 11	693647	1	Breather Tube				
9 5 163	696979	1	Air Cleaner Gasket				
6 7							
7 445	697029	1	Air Cleaner Cartridge Filter				
7 467	691668	1	Air Cleaner Knob				
7 717	693462	1	Air Cleaner Bracket				
7 875	697030	1	Air Cleaner Base				
7 961	698304	1	Screw (Air Cleaner Bracket)				
7 967	273356	1	Pre-cleaner Filter				
7 968	693460	1	Air Cleaner Cover				
7 971	690349	1	Screw (Air Cleaner Base)				
7 971A	691693	1	Screw (Oil Fill Bracket)				

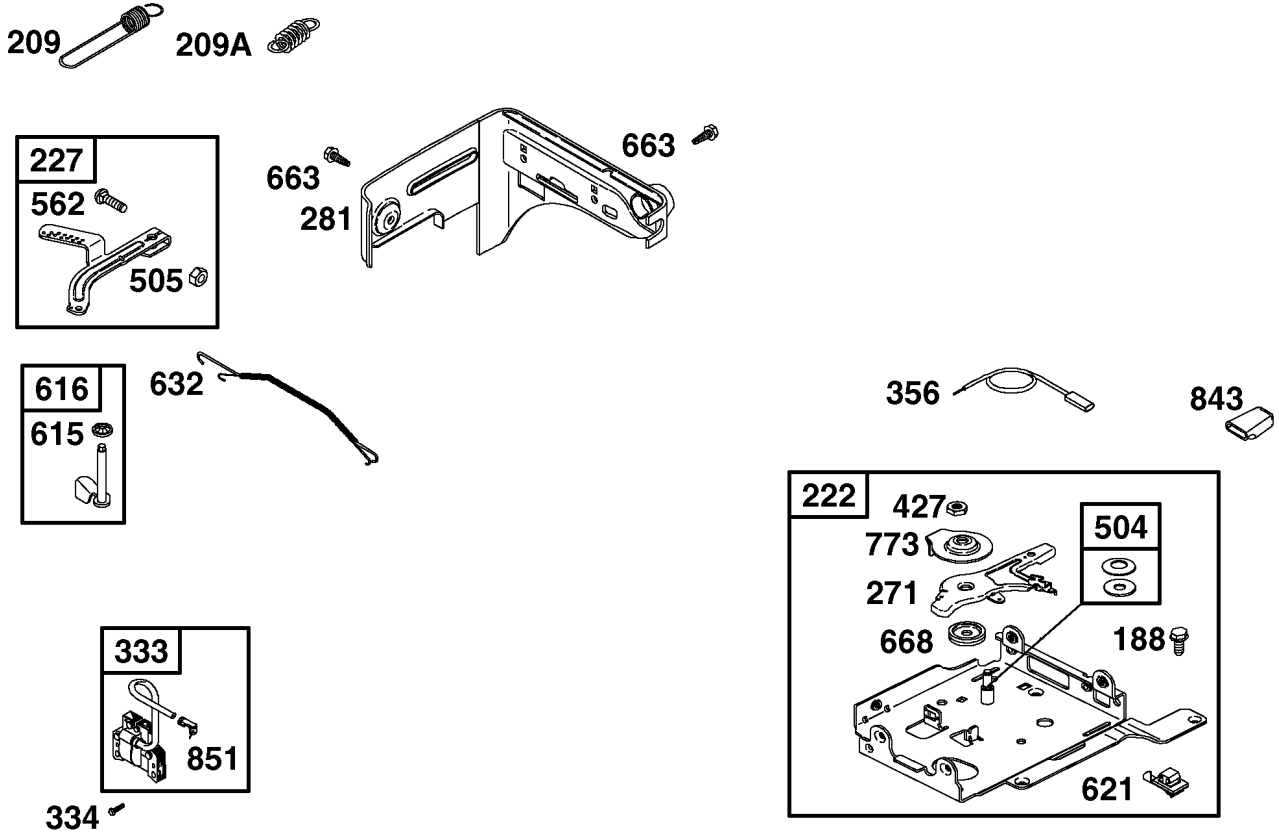


Assemblies include all parts shown in frames.

Muffler and Fuel Tank Assembly Engine Briggs and Stratton Model 126302-0245-E1

Ref	Part No.	Qty.	Description
⑦300	693593	1	Muffler
⑦190	699220	1	Screw (Fuel Tank)
⑦613	699209	1	Screw (Muffler)
⑦832	693583	1	Muffler Guard
⑦832A	696516	1	Muffler Guard
⑦836	699204	1	Screw (Muffler Guard)
⑦836A	699632	1	Screw (Muffler Guard)
⑦836B	699203	1	Screw (Muffler Guard)
⑧⑦883	691893	1	Exhaust Gasket
⑦957	694261	1	Fuel Tank Cap
⑦958	698180	1	Fuel Shut-off Valve
⑦972	694260	1	Fuel Tank

--	--	--	--



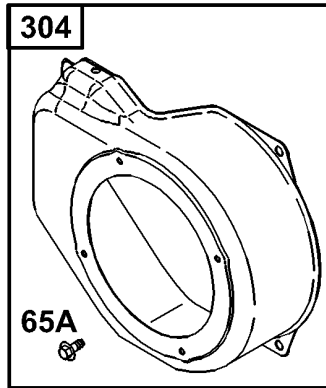
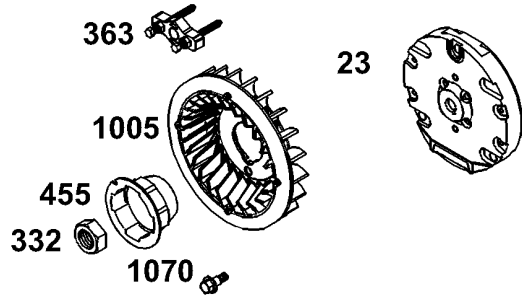
Assemblies include all parts shown in frames.


Governor Assembly

Engine Briggs and Stratton Model 126302-0245-E1

Ref	Part No.	Qty.	Description
188	699479	1	Screw (Control Bracket)
209	692571	1	Governor Spring
209A	691278	1	Governor Spring
222	699589	1	Control Bracket
227	692573	1	Governor Control Lever
271	694256	1	Control Lever
281	699639	1	Control Panel
333	695711	1	Magneto Armature
334	699477	1	Screw (Magneto Armature)
356	692390	1	Stop Wire
427	694255	1	Nut (Control Bracket)
504	694254	1	Friction Washer Set
505	691251	1	Nut (Governor Control Lever)
562	691112	1	Bolt (Governor Control Lever)
615	692576	1	Governor Shaft Retainer
616	616	1	Governor Crank
621	621	1	Stop Switch
632	632	1	Mechanical Governor Spring/link
663	663	1	Screw (Control Panel)
668	668	1	Spacer (Control Bracket)
773	773	1	Retainer
843	843	1	Lever Sleeve
851	851	1	Spark Plug Terminal

--	--	--	--



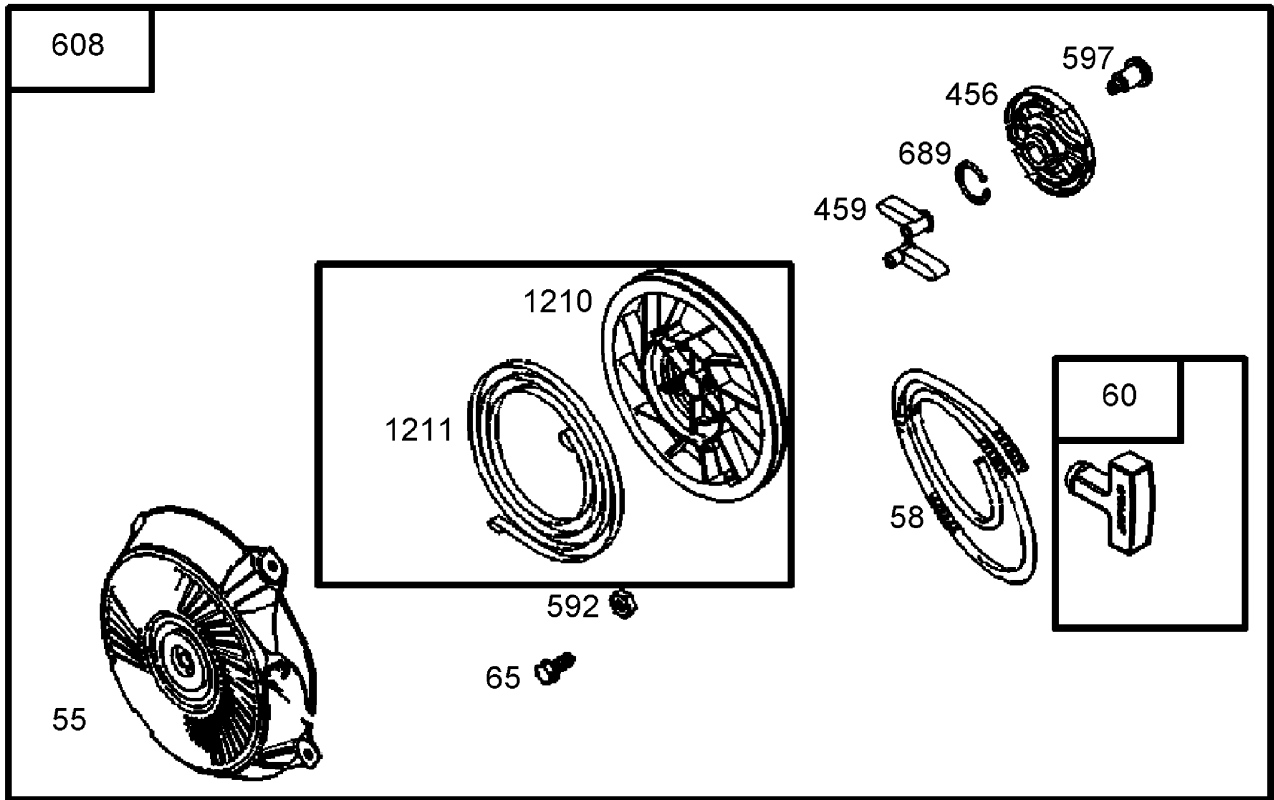
305 

1036 EMISSION LABEL

Assemblies include all parts shown in frames.

Blower Housing Assembly Engine Briggs and Stratton Model 126302-0245-E1

Ref	Part No.	Qty.	Description				
●23	699488	1	Flywheel				
●65A	699228	1	Screw (Rewind Housing)				
●304	699598	1	Blower Housing				
●305	699480	1	Screw (Blower Housing)				
●332	699359	1	Nut (Flywheel Fan)				
●363	19069	1	Flywheel Puller				
●455	692591	1	Flywheel Cup				
●1005	692592	1	Flywheel Fan				
●1036	699946	1	Emissions Label				
●1070	699201	1	Screw (Flywheel Fan)				

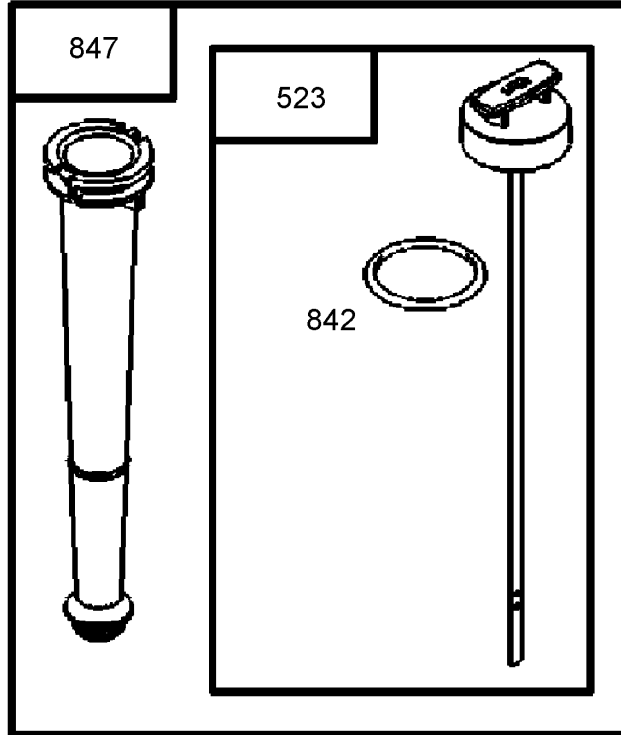


Starter Assembly

Engine Briggs and Stratton Model 126302-0245-E1

Ref	Part No.	Qty.	Description
⑦55	691422	1	Rewind Starter Housing
⑦58	693389	1	Starter Rope (Cut To Required Length)
⑦60	691915	1	Starter Rope Grip
⑦65	690837	1	Screw (Rewind Starter)
⑦456	692299	1	Pawl Friction Plate
⑦459	281505	1	Ratchet Pawl
⑦592	690800	1	Nut (Rewind Starter)
⑦597	691696	1	Screw (Pawl Friction Plate)
⑦608	497830	1	Rewind Starter
⑦689	691855	1	Friction Spring
⑦1210	498144	1	Pulley/spring ASM
⑦1211	498144	1	Pulley/spring ASM

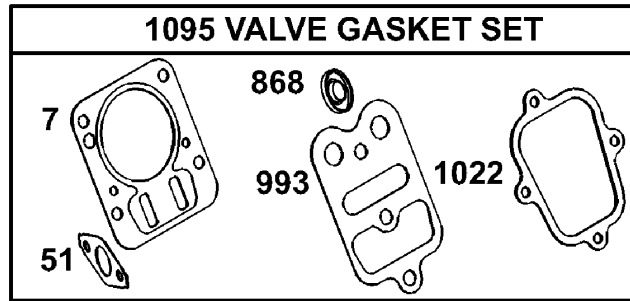
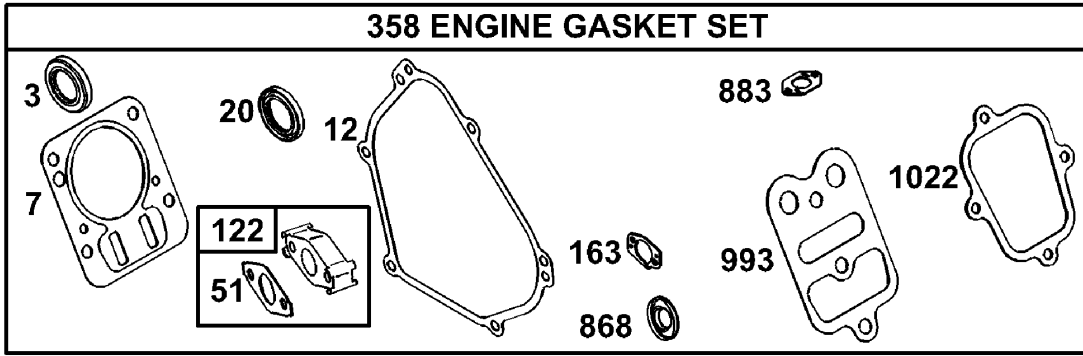
--	--	--	--



Oil Tube and Dipstick Assembly Engine Briggs and Stratton Model 126302-0245-E1

Ref	Part No.	Qty.	Description
⑤523	693618	1	Dipstick
⑤842	691031	1	O Ring Seal (Dipstick Tube)
⑤847	693617	1	Dipstick/tube ASM

--	--	--	--

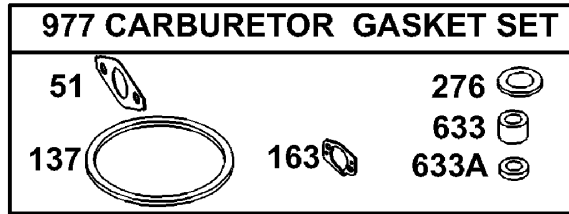
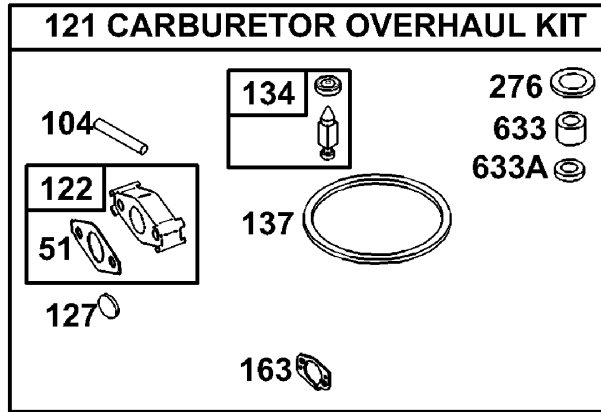


Assemblies include all parts shown in frames.

Gasket Assembly

Engine Briggs and Stratton Model 126302-0245-E1

Ref	Part No.	Qty.	Description				
373	299819	1	Oil Seal (Magneto Side)				
477	695166	1	Cylinder Head Gasket				
712	692549	1	Crankcase Cover Gasket				
720	692550	1	Oil Seal (Pto Side)				
45156	692555	1	Intake Gasket				
51227	693749	1	Carburetor Spacer				
516367	696979	1	Air Cleaner Gasket				
7358	699638	1	Engine Gasket Set				
48687	692044	1	Valve Seal				
7883	691893	1	Exhaust Gasket				
49937	694088	1	Cylinder Head Plate Gasket				
410227	691890	1	Rocker Cover Gasket				
71095	698215	1	Valve Gasket Set				



Assemblies include all parts shown in frames.

Carburetor Overhaul Kit Assembly

Engine Briggs and Stratton Model 126302-0245-E1

Ref	Part No.	Qty.	Description
⑤④51 ⑤⑥	692555	1	Intake Gasket
⑤⑦104 ⑦121	691242 696998	1	Float Hinge Pin Carburetor Overhaul Kit
⑤⑤122 ⑦	693749	1	Carburetor Spacer
⑤⑦127	691739	1	Welch Plug
⑤⑦134	398188	1	Needle/seat Kit
⑤⑥137 ⑦	693981	1	Float Bowl Gasket
⑤⑤163 ⑤⑦	696979	1	Air Cleaner Gasket
⑤⑥276 ⑦	271716	1	Sealing Washer
⑤⑥633 ⑦	693867	1	Choke/throttle Shaft Seal
⑤⑥633A ⑦	691321	1	Choke/throttle Shaft Seal
⑦977	697001	1	Carburetor Gasket Set

