



# 1028 Power Shift<sup>®</sup> Snowthrower

Model No. 38559-240000001 and Up

## Parts Catalog

### Ordering Replacement Parts

To order replacement parts, please supply: the part number, the quantity, and the description of each part desired.

### Understanding Reference Numbers

Each identified part in an illustration has a reference number. The reference number for a part also appears in the parts list, along with other information about the part.

This catalog uses two special reference number formats, one to indicate parts in a service assembly and another to indicate the quantity of a given part in an illustration.

### Service Assembly Reference Numbers

Parts in service assemblies have reference numbers in the form **a:b**. The **a** represents the reference number of the entire service assembly and the **b** represents a sequential number unique to each part within the service assembly.

For example, a wheel assembly might be identified by reference number **6**, the tire by **6:1**, the valve by **6:2**, and the wheel by **6:3**. When you order the assembly identified by reference number **6**, you receive all parts identified by reference numbers **6:1**, **6:2**, and **6:3**. However, you may also order any part individually.

Reference numbers of this type appear in illustrations and in part lists.

### Reference Numbers Indicating Quantity

In an illustration, if a reference number indicates more than one part, the reference number has the form **nX y**. The **n** represents the quantity of the part, the **X** is the multiplication symbol, and the **y** represents the reference number.

For example, in an illustration, the reference number **2X 37** means that two of the parts identified by reference number **37** are indicated.

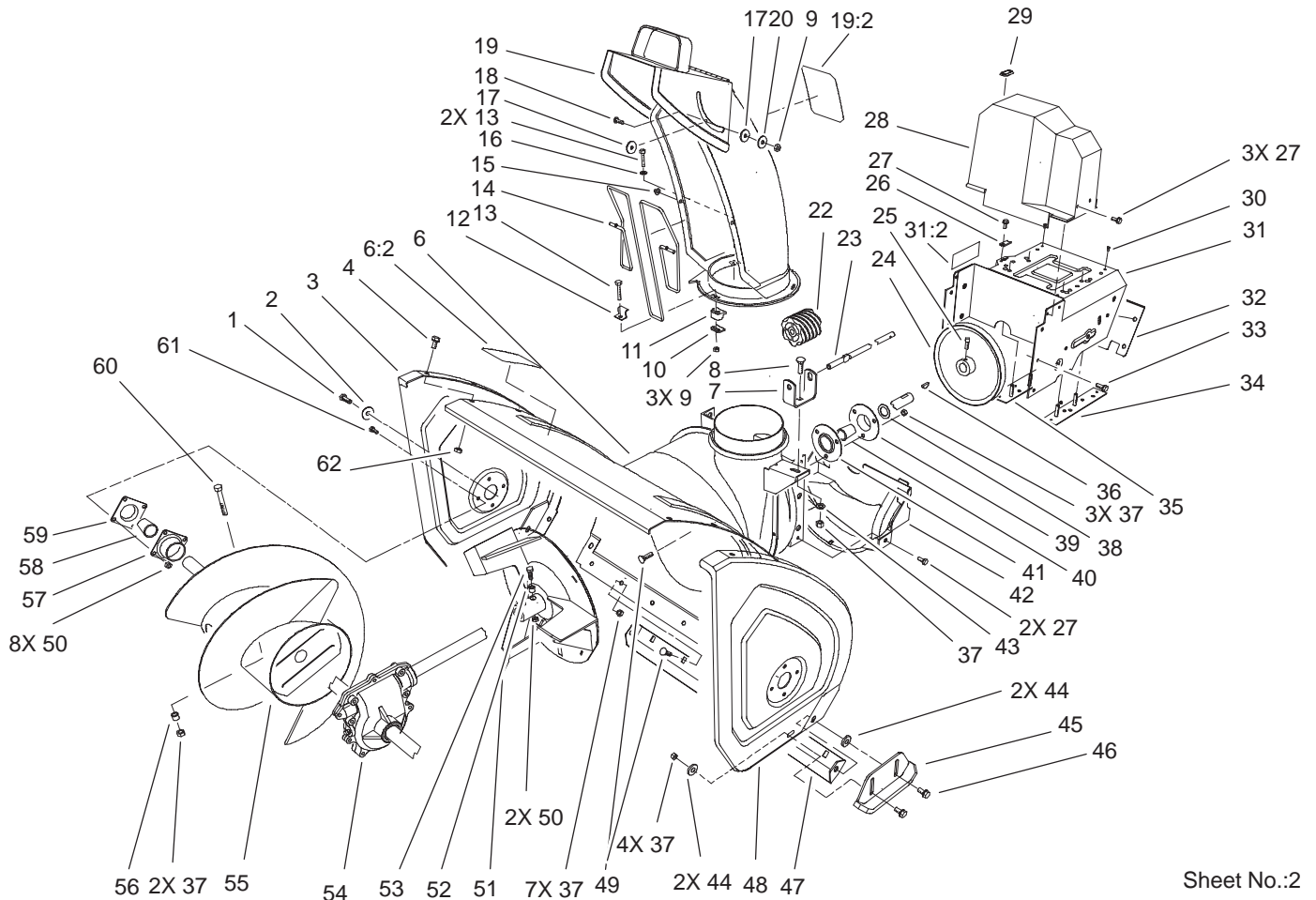
## Contents

Description	Page	Description	Page
Housing and Engine Frame Assembly . . . . .	3	Carburetor Part No. 640169 . . . . .	13
28in Auger Gearcase Assembly Part No. 74-1561 . . . . .	5	Tecumseh Engine Assembly Model No. OHSK100-221607D . . . . .	14
Engine and Transmission Assembly . . . . .	6	Tecumseh Engine Assembly Model No. OHSK100-221607D . . . . .	15
Traction Gearcase Assembly Part No. 66-8030 . . . . .	7	Tecumseh Engine Assembly Model No. OHSK100-221607D . . . . .	16
Power Shift Control Assembly . . . . .	9	Rewind Starter Part No. 590749 . . . . .	17
Handle and Control Assembly . . . . .	10	Electric Starter (110 Volt) Part No. 33329E . . . . .	18
Headlamp Assembly Part No. 54-9871 . . . . .	11	Rewind Starter Part No. 590733 (Optional) . . . . .	19
Lower Traction Assembly . . . . .	12		

## Part Description Abbreviations

Part descriptions in this catalog may include the following abbreviations.

Abbreviation	Meaning	Abbreviation	Meaning
AR . . . . .	as required	HYD . . . . .	hydraulic
ASM . . . . .	assembly	INC . . . . .	incorporated
CARR . . . . .	carriage	LH . . . . .	left hand
DEG . . . . .	degrees	NI . . . . .	nylon insert
FH . . . . .	flat head	PPH . . . . .	Phillips pan head
GA . . . . .	gauge	PTH . . . . .	Phillips truss head
HF . . . . .	hex flange	PTO . . . . .	power take off
HH . . . . .	hex head	RH . . . . .	right hand
HHF . . . . .	hex head flange	SFH . . . . .	slotted fillister head
HLH . . . . .	hex lag head	SHH . . . . .	slotted hex head
HJ . . . . .	hex jam	SQH . . . . .	square head
HOC . . . . .	height-of-cut	SHWH . . . . .	slotted hex washer head
HS . . . . .	hex socket	SPH . . . . .	slotted pan head
HSBH . . . . .	hex socket button head	SRH . . . . .	slotted round head
HSFH . . . . .	hex socket flat head	STD . . . . .	standard
HSH . . . . .	hex socket head	TAP . . . . .	self tapping
HWH . . . . .	hex washer head	TTH . . . . .	Torx truss head
HWHTF . . . . .	hex washer head thread forming	WH . . . . .	wing head



Sheet No.:2

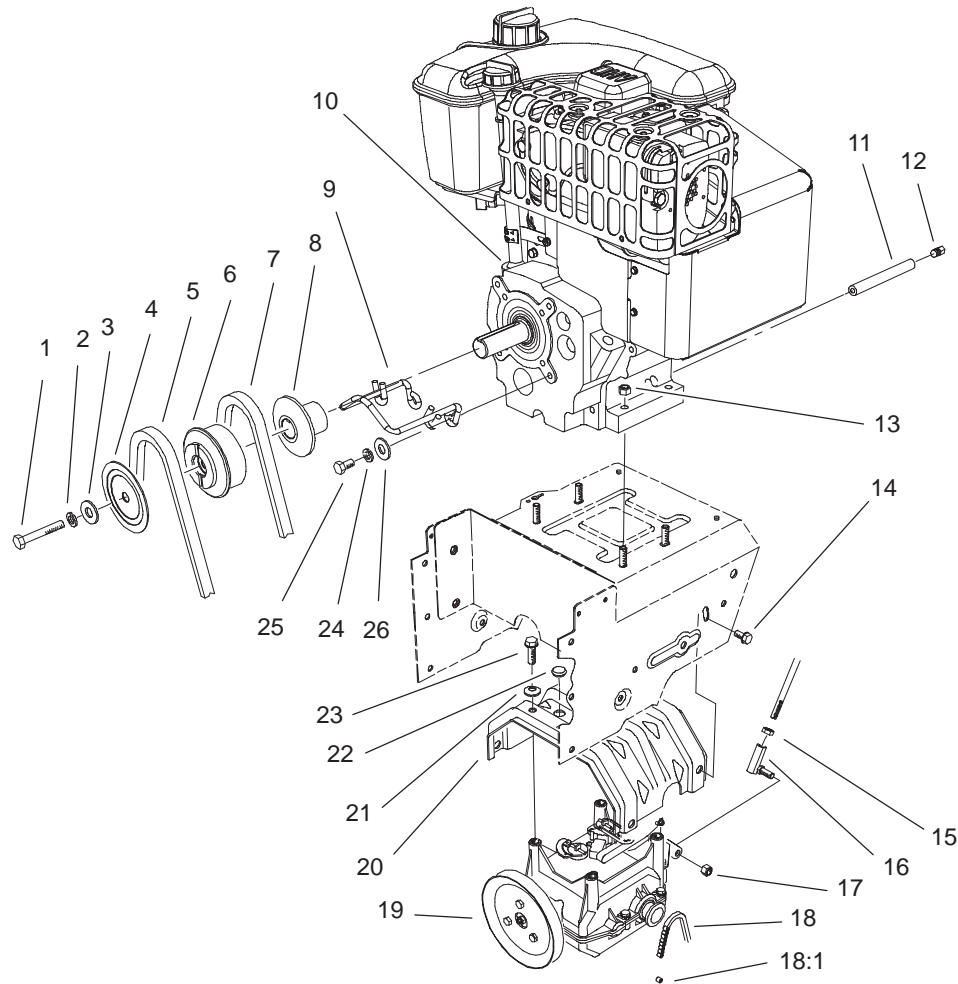
## Housing and Engine Frame Assembly

Ref. No.	Part No.	Qty.	Description
1	323-4	2	Screw-HH
2	3-0750	2	Washer
3	66-7821-01	1	Plate-Side, RH
4	3234-28	12	Screw-HHF
6	100-5456	1	Auger Housing ASM
6:2	94-2568	1	Decal-Warning, Auger
7	63-2180	1	Bracket-Worm, Chute
8	3230-2	1	Bolt-CARR
9	3296-2	4	Nut-Lock
10	63-2670	3	Plate-Retainer, Chute
11	62-1430	3	Retainer-Chute
12	63-3130	1	Clip-Guard, Chute
13	3274-13	3	Screw-HSH
14	63-3020	1	Guard-Chute
15	3290-326	2	Nut-Push
16	3256-14	1	Washer-Flat
17	63-2900	2	Washer-Plastic
18	32122-32	1	Screw
19	95-2662	1	Chute
19:2	94-2559	1	Decal - Danger
20	3256-61	1	Washer-Flat
22	62-0820	1	Gear-Worm
23	62-1720	1	Rod-Chute, Lower
24	62-1300	1	Pulley-Impeller
25	3242-4	2	Screw-Set, SQH
26	63-2300	1	Retainer-Cable

Ref. No.	Part No.	Qty.	Description
27	32144-4	6	Screw-HWH
28	63-2080	1	Cover-Belt, Upper
29	63-3290	1	Cover-Cable
30	3269-23	4	Rivet-Pop
31	100-5451	1	Engine Frame ASM
31:2	94-2575	1	Decal-Adjustment
32	62-1440-01	1	Cover-Frame, Engine
33	32144-14	6	Screw-HWH
34	68-4110	1	LH Frame Plate ASM
35	68-4100	1	RH Frame Plate ASM
36	3257-23	1	Key-Woodruff
37	3296-29	17	Nut-Lock, NI
38	252-80	1	Washer-Thrust
39	26-6110	1	Flange-Cup, Bearing
40	63-3450	1	Bearing-Ball
41	26-6120	1	Flange-Cup, Bearing
42	68-8410	1	Cover-Belt, Lower
43	3256-23	1	Washer-Flat
44	52-2861	4	Washer
45	74-1440-01	2	Skid ASM
46	3234-5	4	Screw
47	66-7761-01	1	Blade-Scraper
48	66-7831-01	1	Plate-Side, LH
49	3230-23	10	Screw-CARR
50	3296-42	10	Nut-Lock, NI
51	66-7920-03	1	Impeller-4 Blade







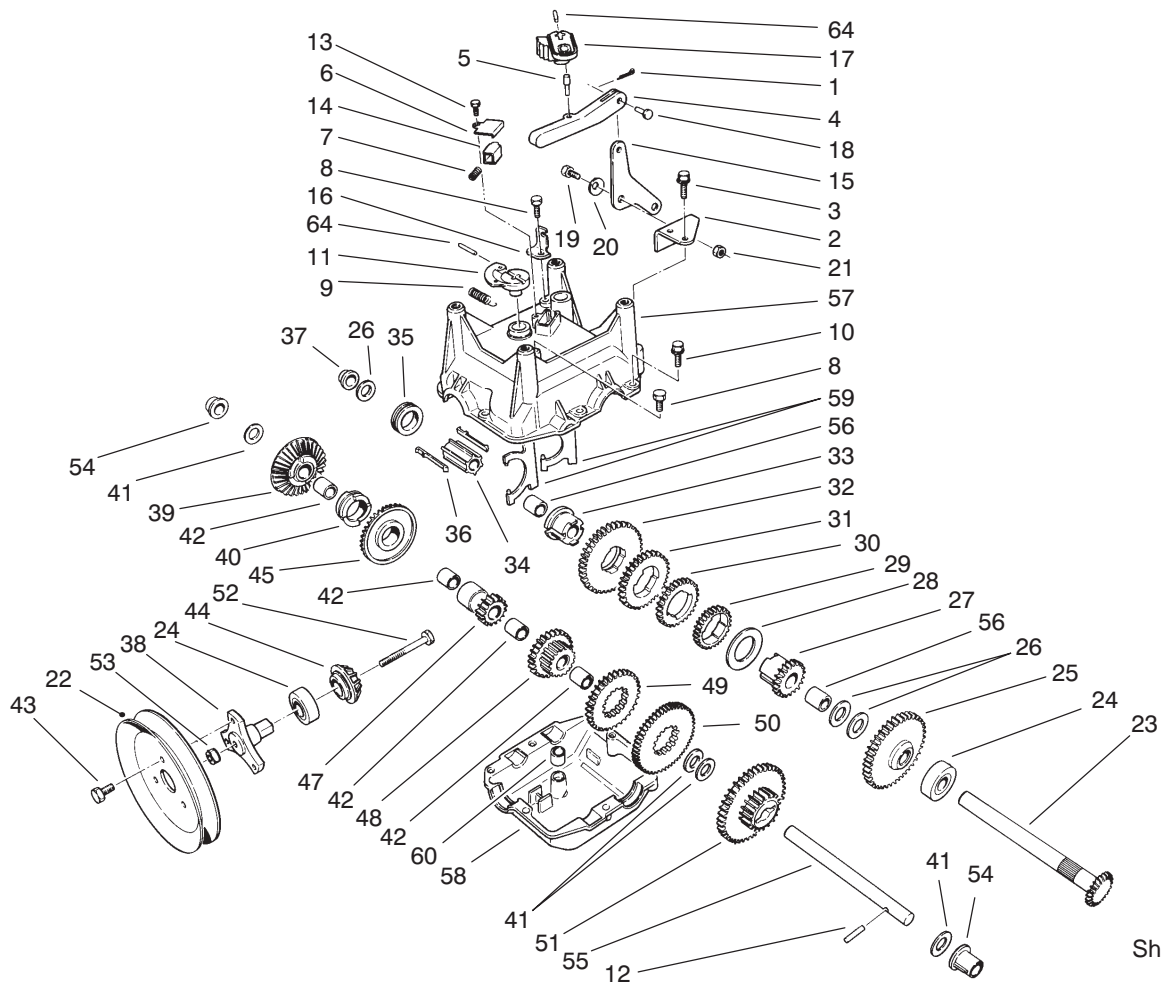
Sheet No.:3

## Engine and Transmission Assembly

Ref. No.	Part No.	Qty.	Description
1	3212-8	1	Screw-HH
2	3253-6	1	Washer-Lock
3	3256-41	1	Washer-Flat
4	62-0940	1	Sheave-Half, Impeller
5	63-2962	1	V-Belt
6	62-0930	1	Pulley-Engine, Center
7	63-2951	1	V-Belt, Traction
8	62-0920	1	Sheave-Half, Traction
9	100-3432	1	Guide-Belt
★10		1	Engine-10hp Tecumseh Ohsk 100-221607d
11	289-34	1	Nipple-Pipe
12	288-2	1	Cap-Pipe
13	32128-20	4	Nut-HF
14	3234-7	4	Screw-HHF
15	3220-3	1	Nut-Jam
16	78-2920	1	Ball-Joint
17	3296-6	1	Nut-Lock, NI
18	63-2930	1	Chain
18:1	2710-15	1	Link-Offset
19	66-8030	1	Traction Gearcase ASM
20	63-2990-03	1	Transmission Frame ASM
21	3290-461	4	Washer-Spring

Ref. No.	Part No.	Qty.	Description
22	95-7947	2	Cap-Plug
23	11-0590	4	Screw-HWH, Thd Form
24	3253-4	2	Washer-Lock
25	3210-3	2	Screw-HH
26	3256-41	2	Washer-Flat

★ Not serviced separately

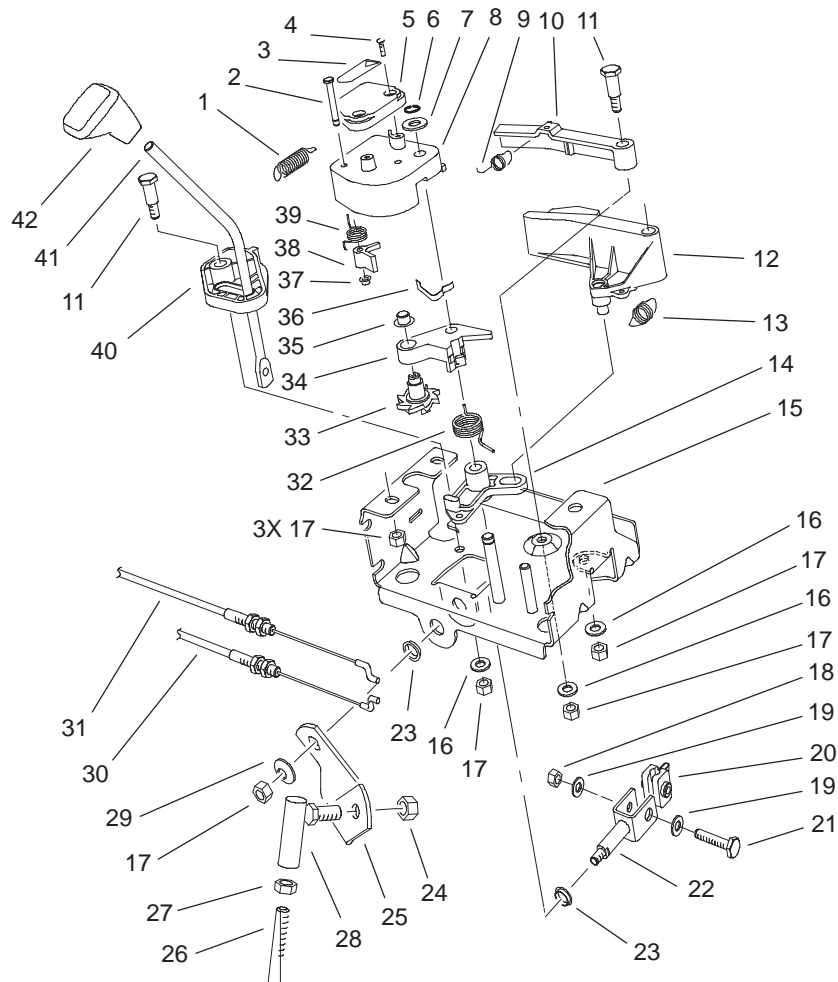


Sheet No.:A2

## Traction Gearcase Assembly Part No. 66-8030

Ref. No.	Part No.	Qty.	Description	Ref. No.	Part No.	Qty.	Description
1	3272-1	1	Pin-Cotter	27	62-0340	1	Gear-Sleeve, 19 T
2	62-1190	1	Bracket-Bellcrank	28	63-2280	1	Washer-Thrust
3	32104-95	2	Screw-HWH	29	62-0250	1	Gear, 29 T
4	62-0860	1	Link-Shift, Gear	30	62-0200	1	Gear, 27 T
5	63-2190	1	Pin-Link, Gear Shift	31	62-0220	1	Gear, 34 T
6	62-1690	1	Cover-Detent	32	62-0240	1	Gear, 45 T
7	63-2890	1	Spring-Detent	33	62-0320	1	Sleeve-Gear
8	32144-4	2	Screw-HWH	34	68-4320	1	Sleeve-Shift
9	63-2920	1	Spring-Extension	35	62-0430	1	Collar-Shift
10	32144-86	6	Screw-HH	36	62-0310	2	Key-Shift
11	62-0880	1	Lever	37	62-1180	1	Bushing-Flange, Output
12	32121-106	1	Pin-Spring	38	62-0380	1	Hub-Pulley
13	32104-71	1	Screw-HWH	39	67-5860	1	Gear-Bevel, Rev, 36 T
14	62-1020	1	Button-Detent	40	67-5880	1	Collar-Shift
15	63-2600	1	Bellcrank	41	257-10	4	Washer-Thrust
16	62-1740	1	Bracket-Cable	42	62-1160	4	Bushing
17	62-0870	1	Lever-Shift, Gear	43	12-3270	3	Screw
18	283-3	1	Pin-Clevis	44	62-0350	1	Pinion-Bevel
19	63-3410	1	Screw-Shoulder	45	67-5870	1	Gear-Bevel, 36 T
20	3290-477	1	Washer-Curved	47	62-0500	1	Gear-Bevel, 15 T
21	3296-42	1	Nut-Lock, NI	48	68-4310	1	Gear, 26 T
22	62-1310	1	Traction-Sheave, Half	49	62-0210	1	Gear, 33 T
23	62-1080	1	Shaft-Output	50	62-0260	1	Gear, 51 T
24	100-1048	2	Bearing-Ball	51	62-0360	1	Gear, 19/41 T
25	62-0370	1	Gear, 41 T	52	321-15	1	Screw-HH
26	252-59	3	Bearing-Thrust				

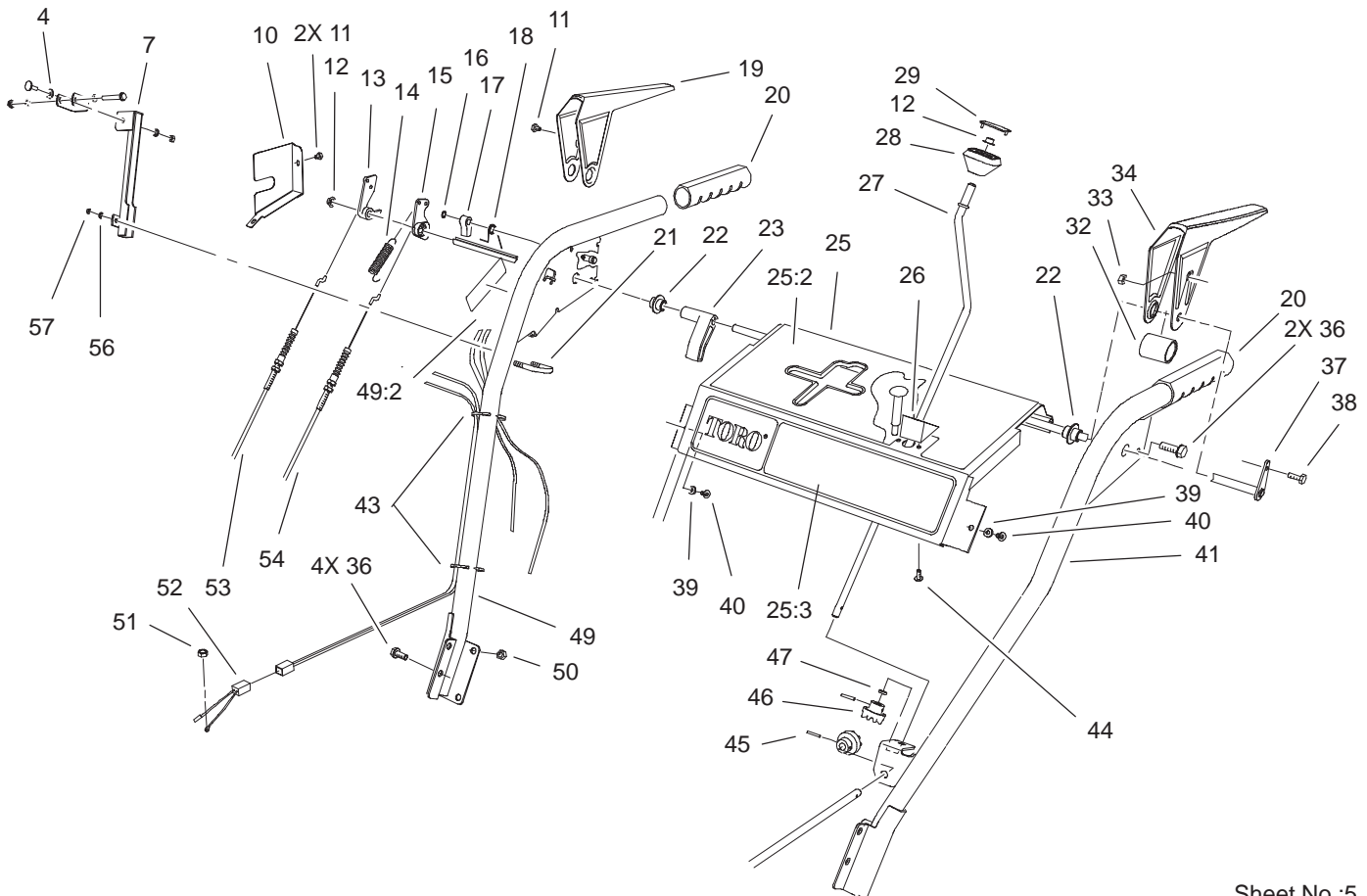




Sheet No.:4

## Power Shift Control Assembly

Ref. No.	Part No.	Qty.	Description	Ref. No.	Part No.	Qty.	Description
1	63-2220	1	Spring-Extension	26	63-2830	1	Rod-Bent Shift, Lower
2	63-2610	1	Pin-Tang	27	3220-3	1	Nut-Jam
3	63-2480	1	Decal-Number 2	28	78-2920	1	Ball-Joint
4	94-6961	2	Screw	29	3290-456	1	Washer-Belleville
5	62-1140	1	Cover-Latch	30	63-2210	1	Cable-Gearbox
6	32120-46	1	Ring-Retaining	31	63-2200	1	Cable-Arm, Latch
7	257-9	1	Washer-Thrust	32	63-2270	1	Spring-Torsion
8	62-1100	1	Lever Latch	33	62-0170	1	Wheel-Index
9	63-2240	1	Spring-Extension	34	62-1110	1	Lever-Wheel, Index
10	62-1700	1	Lever-Lockout	35	3290-320	1	Retainer-Push On
11	63-2650	2	Screw-Shoulder	36	62-1710	1	Spring-Flat
12	62-1130	1	Lever-Reverse	37	3290-422	1	Nut-Push
13	63-2230	1	Spring-Extension	38	62-0180	1	Tang-Index
14	62-1120	1	Lever-Reverse, Switch	39	62-1650	1	Spring-Torsion
15	63-2150-03	1	Control Frame ASM	40	62-1470	1	Base-Lockout
16	3256-23	3	Washer-Flat	41	67-9240	1	Rod-Shift
17	3296-29	7	Nut-Lock, NI	42	62-1290	1	Knob-Shift
18	3296-42	1	Nut-Lock, NI				
19	3256-1	2	Washer-Flat				
20	67-9250	1	Retainer-Rod, Shift				
21	321-9	1	Screw-HH				
22	66-7730	1	Clevis ASM				
23	256-296	2	Bushing				
24	3296-6	1	Nut-Lock, NI				
25	63-2630	1	Bracket-Shift				



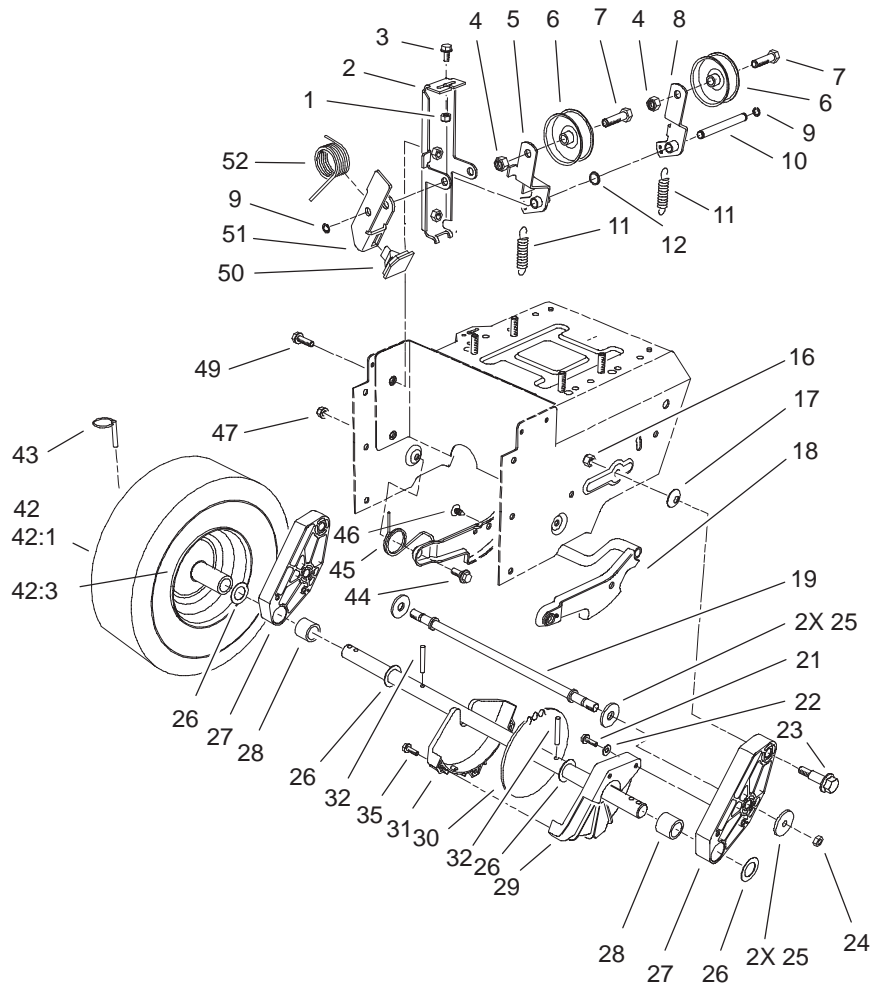
Sheet No.:5

## Handle and Control Assembly

Ref. No.	Part No.	Qty.	Description
4	3256-26	1	Washer-Flat
7	68-7110-03	1	Mount-Light
10	63-2170-03	1	Cover-Lock, Lever
11	2210-250	3	Screw-HH
12	3290-320	2	Retainer-Push On
13	62-0300	1	Tang-Locking
14	88-0810	1	Spring-Extension
15	62-0290	1	Cam-Release
16	32151-66	1	E-Ring-Retainer
17	62-0280	1	Latch-Locking
18	63-2910	1	Spring-Torsion
19	62-1050-03	1	Lever-Traction, RH
20	66-7850	2	Grip-Handle
21	68-7140	1	U-Bolt
22	62-1070	2	Bushing-Lever
23	62-1640	1	Lever-Trip
25	100-3577	1	Control Panel ASM
25:2	99-3229	1	Decal-Control
25:3	100-3439	1	Decal - Front Panel
26	62-1490	1	Plate-Guide
27	63-2160	1	Crank-Rod, Chute
28	62-1320	1	Knob-Control, Chute
29	62-1520	1	Cover-Knob
32	63-3380	1	Spacer-Lever, Traction
33	3296-2	1	Nut-Lock

Ref. No.	Part No.	Qty.	Description
34	62-1060-03	1	Lever-Traction, LH
36	32144-14	6	Screw-HWH
37	63-2030	1	Cross Rod ASM
38	3290-359	1	Screw-HWH
39	3256-14	2	Washer-Flat
40	32104-76	2	Screw
41	66-8091-03	1	LH Handle ASM
43	3290-378	2	Tie-Cable
44	94-6961	2	Screw
45	32121-50	2	Pin-Spring
46	62-1460	2	Gear-Universal
47	62-1230	1	Washer-Rubber
49	100-3598	1	Handle ASM
49:2	94-2575	1	Decal-Adjustment
50	3296-47	4	Nut-Lock, NI
51	3217-6	1	Nut-Hex
52	54-9810	1	Wire ASM
53	63-2700	1	Cable-Impeller
54	63-2710	1	Cable-Traction
56	3256-23	2	Washer-Flat
57	3296-29	4	Nut-Lock, NI





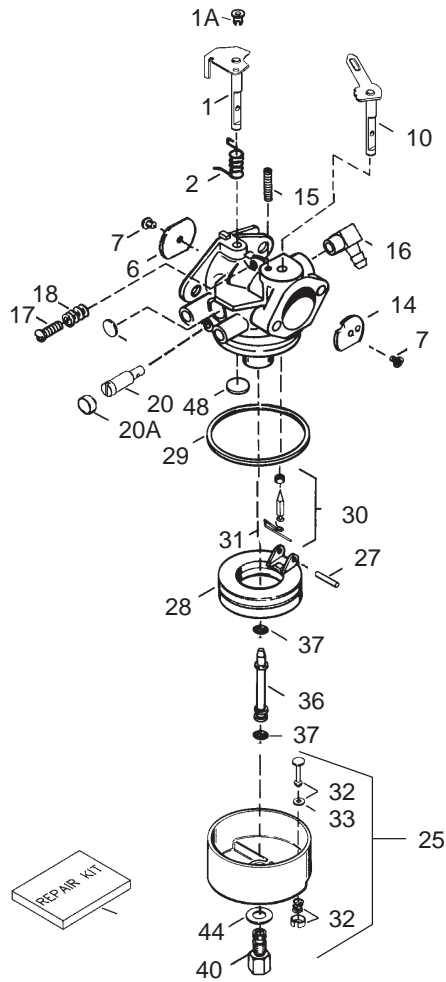
Sheet No.:6

## Lower Traction Assembly

Ref. No.	Part No.	Qty.	Description
1	3296-42	1	Nut-Lock, NI
2	63-2850	1	Idler Arm Bracket ASM
3	3234-13	1	Screw-HHF
4	3296-59	2	Nut-Lock, NI
5	93-8046	1	Impeller Idler Arm ASM
6	3-4244	2	Pulley-Idler
7	323-7	2	Screw-HH
8	93-8045	1	Traction Idler Arm ASM
9	32120-46	2	Ring-Retaining
10	62-0970	1	Pin-Idler
11	63-2870	2	Spring-Extension
12	3256-38	1	Washer-Flat
16	3296-39	2	Nut-Lock, NI
17	3290-461	2	Washer-Spring
18	62-0470-03	1	Latch ASM
19	66-7720	1	Rod-Latch
21	32144-4	2	Screw-HWH
22	3256-1	2	Washer-Flat
23	62-1330	2	Bolt-Shoulder
24	3296-23	2	Nut-Lock, NI
25	63-3340	4	Washer-Support
26	252-80	4	Washer-Thrust
27	66-7740	2	Pivot Arm ASM
28	63-2250	2	Bushing-Axle

Ref. No.	Part No.	Qty.	Description
29	62-1010	1	Guard-Chain, LH
30	63-2112	1	Axle
31	62-1000	1	Guard-Chain, RH
32	32121-9	2	Pin-Spring
35	94-4496	3	Screw-PPH
42		2	Wheel & Tire Assembly
42:1	231-123	1	Tire
*42:2	232-48	1	Inner Tube
42:3	241-127	1	Rim-Wheel
43	3290-243	2	Pin-Lynch
44	5-2490	2	Screw-Shoulder
45	63-2740	1	Spring-Latch, Torsion
46	3290-476	1	Fastener-Panel
47	3296-47	2	Nut-Lock, NI
49	3234-7	2	Screw-HHF
50	66-8060	1	Pad-Brake
51	63-2820	1	Arm-Brake
52	100-5474	1	Spring-Torsion

\* Not illustrated



Sheet No.:

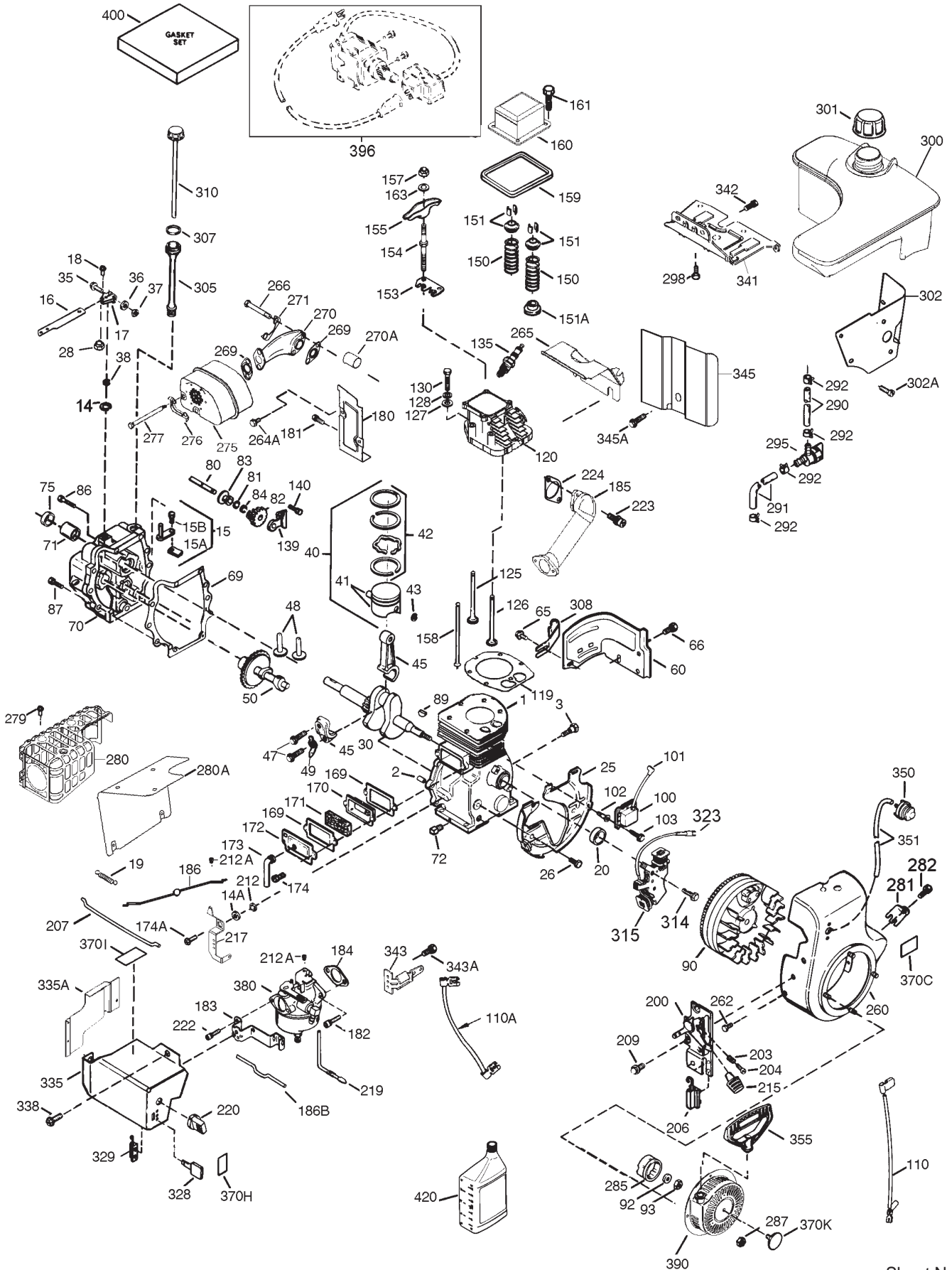
### Carburetor Part No. 640169

Ref. No.	Part No.	Qty.	Description
1	632777	1	Throttle Shaft & Lever ASM
1A	36288	1	Bushing
2	631970	1	Throttle Return Spring
6	640109	1	Throttle Shutter
7	650506	2	Shutter Screw
10	632778	1	Choke Shaft & Lever ASM
14	632189	1	Choke Shutter
15	630735	1	Choke Positioning Spring
16	632527	1	Fuel Fitting
17	651025	1	Idle Speed Screw
18	630766	1	Tension Spring
20	640027	1	Idle Restrictor Screw
20A	640053	1	Idle Restrictor Screw Cap
25	632594A	1	Float Bowl ASM (Incl. Ref.# 32 & 33)
27	631024	1	Float Shaft
28	632082	1	Float
29	631028	1	Float Bowl O-Ring
30	631021	1	Inlet Needle, Seat, Clip (Incl. Ref.# 31)
31	631022	1	Spring Clip
32	27136A	1	Bowl Drain ASM

Ref. No.	Part No.	Qty.	Description
33	27554	1	Drain Plunger Gasket
36	640013	1	Main Nozzle Tube
37	632547	2	O-Ring, Main Nozzle Tube
40	640170	1	High Speed Bowl Nut
44	27110A	1	Bowl Nut Washer
47	630748	1	Welch Plug, Idle Mixture Well
48	631027	1	Welch Plug, Vent
60	632760	1	Repair Kit

Obtain Parts from Local Tecumseh Dealer.

# Tecumseh Engine Assembly Model No. OHSK100-221607D



# Tecumseh Engine Assembly

## Model No. OHSK100-221607D

Ref. No.	Part No.	Qty.	Description	Ref. No.	Part No.	Qty.	Description
1	37251	1	Cylinder (Incl. Ref.# 2, 20 & 72)	86	650833	7	Screw
2	27652	2	Dowel Pin	87	650832	1	Screw
3	650820	2	Screw	89	32589	1	Flywheel Key
14	28277	1	Washer	90	611093	1	Flywheel (W/Ring Gear)
14A	651057	1	Washer	92	650880	1	Lock Washer
15	30699C	1	Governor Rod ASM (Incl. Ref.#15A & 15B)	93	650881	1	Flywheel Nut
15A	30700	1	Yoke-Governor	100	35135A	1	Solid State Ignition (Incl. Ref. #101)
15B	650494	1	Screw	101	610118	1	Spark Plug Cover
16	37255A	1	Governor Lever	102	651024	2	Solid State Mounting Stud
17	29916	1	Governor Lever Clamp	103	651007	2	Screw-Torx
18	651028	1	Screw-Torx	110	35187	1	Ground Wire
19	36281	1	Throttle Spring	110A	37047	1	Ground Wire
20	35319	1	Oil Seal	119	37256	1	Cylinder Head Gasket
25	36460	1	Blower Housing Baffle	120	37516	1	Cylinder Head (incl. Ref. #151A)
26	650561	2	Screw	125	36934	1	Exhaust Valve (Std.)
28	30322	1	Lock Nut	125	36936	1	Exhaust Valve (1/32)
30	37272	1	Crankshaft	126	36935	1	Intake Valve (Std.)
35	29826	1	Screw	127	650691	6	Washer
36	29918	1	Lock Washer	128	650690	6	Belleville Washer
37	29216	1	Lock Nut	130	650697A	6	Screw
38	29642	1	Retaining Ring	135	34645	1	Spark Plug (RN4C)
40	40011	1	Piston, Pin & Ring Set (Std.)	139	33369	1	Governor Gear Bracket
40	40012	1	Piston, Pin & Ring Set (.010)	140	650836	1	Screw
41	40009	1	Piston & Pin Ass'y (Std.) (Incl. Ref.#43)	150	33507	2	Valve Spring
41	40010	1	Piston & Pin Ass'y (.010) (Incl. Ref.#43)	151	33508	2	Valve Spring Keeper
42	40013	1	Ring Set (Std.)	151A	35862	1	Seal-Valve, Intake
42	40014	1	Ring Set (.010)	153	35949	1	Push Rod Guide
43	27888	2	Piston Pin Retaining Ring	154	650945	2	Rocker Arm Stud
45	36897	1	Connecting Rod ASM (Incl. Ref.# 47 & 49)	155	35950	2	Rocker Arm
47	651033	2	Connecting Rod Bolt	157	650947	2	Jam Nut
48	35313	2	Valve Lifter	158	35466	2	Push Rod
49	36896	1	Oil Dipper	159	35952	1	Rocker Arm Cover Gasket
50	37517	1	Camshaft (MCR)	160	35953A	1	Rocker Arm Cover
60	35316A	1	Blower Housing Extension	161	30063	4	Screw-Torx
65	30200	1	Screw	163	650890	2	Lock Washer
66	30063	1	Screw-Torx	169	27896A	2	Valve Cover Gasket
69	37342	1	Cylinder Cover Gasket	170	28423	1	Breather Body
70	37273B	1	Cylinder Cover (Incl. Ref.# 71,75 & 80)	171	28424	1	Breather Element
71	35377	1	Crankshaft Bushing	172	28425	1	Valve Cover
72	27642	1	Oil Drain Plug	173	35350	1	Breather Tube
75	35319	1	Oil Seal	174	650128	2	Screw
80	37587	1	Governor Shaft	174A	651056	1	Screw
81	651080	2	Washer	180	37101	1	Blower Housing Extension
82	37588	1	Governor Gear ASM	181	30200	2	Lock Nut
83	30588A	1	Governor Spool	182	650517	2	Screw-Torx
84	29193	1	Retaining Ring	183	34583A	1	Choke Bracket
				184	33263	1	Carburetor To Intake Pipe Gasket
				185	37085	1	Intake Pipe
				186	37261	1	Governor Link
				186B	36653	1	Choke Spring

Obtain Parts from Local Tecumseh Dealer.

## Tecumseh Engine Assembly Model No. OHSK100-221607D

Ref. No.	Part No.	Qty.	Description	Ref. No.	Part No.	Qty.	Description
200	35702	1	Control Bracket (Incl. Ref.#203, 204 & 206)	329	610973	1	Terminal
203	31342	1	Compression Spring	335	37096	1	Carburetor Cover
204	651029	1	Screw-Torx	335A	37087	1	Carburetor Cover
206	610973	1	Terminal	338	650821	4	Screw
207	37262	1	Throttle Link	341	37093	1	Fuel Tank Bracket
209	650821	2	Screw	342	792028	2	Screw
212	30773A	1	Bushing	343	35079A	1	Key Switch Bracket
212A	36288	1	Bushing	343A	651060	1	Screw
215	35440	1	Control Knob	345	37097	1	Heat Baffle
217	37260	1	Bellcrank Lever	345A	650821	1	Screw
219	35689	1	Choke Rod	350	570682A	1	Primer Assembly
220	35438	1	Choke Knob	351	32180C	1	Primer Line
222	28820	2	Screw	355	590574	1	Starter Handle
223	650971	2	Screw-Torx	370C	36501	1	Primer Decal
224	33515A	1	Intake Pipe Gasket	370H	37226	1	Choke Decal
260	37092A	1	Blower Housing	370I	37119	1	Warning Decal
262	29747B	2	Screw-Torx	370K	36695	1	Starter Decal
264A	650738	1	Screw	380	640169	1	Carburetor (Incl. Ref.# 184)
265	37086	1	Cylinder Head Cover	390	590749	1	Rewind Starter (Note: This engine could have been built with 590733 starter)
266	650876	2	Screw	396	33329E	1	Electric Starter Motor (110 Volt) (Optional)
269	35762	2	Exhaust Gasket	400	37257A	1	Gasket Set
270	37263	1	Manifold	420	730226A	1	SAE 5W30 4-Cycle Engine Oil (Quart)
270A	35829A	1	Exhaust Port Liner	756339B		1	Shortblock
271	35293	1	Locking Plate (Manifold)				
275	37264	1	Muffler				
276	36348	1	Locking Plate				
277	650877	2	Screw				
279	650821	5	Screw				
280	37265	1	Heat Shield				
280A	37106	1	Shield-Heat, Radiation				
281	33013	1	Starter Bubbler Cover				
282	650760	1	Screw				
285	35985B	1	Starter Cup				
287	29752	4	Nut & Lock Washer				
290	30962	1	Fuel Line				
291	29774	1	Fuel Line				
292	26460	4	Fuel Line Clamp				
295	35857	1	Fuel Shut-Off Valve				
298	650665	2	Screw				
300	37099	1	Fuel Tank (Incl. Ref.#292 & 301)				
301	36246	1	Fuel Cap				
302	37098	1	Fuel Tank Extension				
302A	650821	3	Screw				
305	35574	1	Oil Fill Tube				
307	35499	1	O-Ring				
308	35539	1	Fill Tube Clip				
310	35700	1	Dipstick				
314	650873	1	Screw				
315	611111	1	Alternator Coil (18 Watt) (Incl. Ref.#322 & 323)				
322	611117	1	Connector Body				
323	611118	1	Terminal				
328	35062	2	Ignition Keys				

Obtain Parts from Local Tecumseh Dealer.







