



CCR™ Powerlite® 325 Snowthrower

Model No. 38183 - 240000001 and up.

Parts Catalog

Ordering Replacement Parts

To order replacement parts, please supply: the part number, the quantity, and the description of each part desired.

Understanding Reference Numbers

Each identified part in an illustration has a reference number. The reference number for a part also appears in the parts list, along with other information about the part.

This catalog uses two special reference number formats, one to indicate parts in a service assembly and another to indicate the quantity of a given part in an illustration.

Service Assembly Reference Numbers

Parts in service assemblies have reference numbers in the form **a:b**. The **a** represents the reference number of the entire service assembly and the **b** represents a sequential number unique to each part within the service assembly.

For example, a wheel assembly might be identified by reference number 6, the tire by **6:1**, the valve by **6:2**, and the wheel by **6:3**. When you order the assembly identified by reference number 6, you receive all parts identified by reference numbers 6:1, 6:2, and 6:3. However, you may also order any part individually. Reference numbers of this type appear in illustrations and in part lists.

Reference Numbers Indicating Quantity

In an illustration, if a reference number indicates more than one part, the reference number has the form **nX y**. The **n** represents the quantity of the part, the **X** is the multiplication symbol, and the **y** represents the reference number.

For example, in an illustration, the reference number **2X 37** means that two of the parts identified by reference number 37 are indicated.

Part Description Abbreviations

Part descriptions in this catalog may include the following abbreviations.

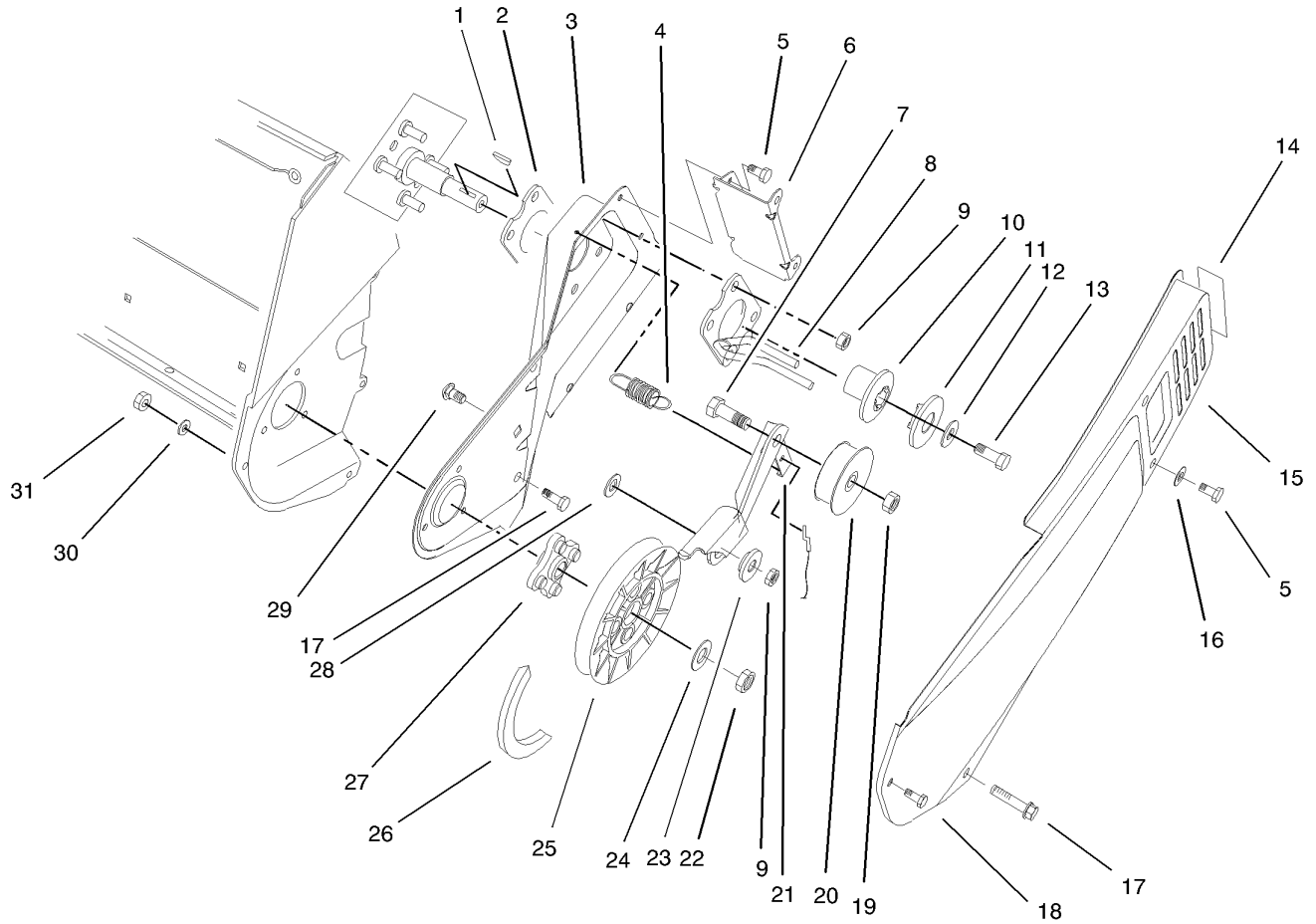
AR.	as required	HYD.	hydraulic
ASM.	assembly	INC.	incorporated
CARR.	carriage	LH.	left hand
DEG.	degrees	NI.	nylon insert
FH.	flat head	PPH.	phillips pan head
GA.	gauge	PTH.	phillips truss head
HF.	hex flange	PTO.	power take off
HH.	hex head	RH.	right hand
HHF.	hex head flange	SFH.	slotted fillister head
HHFTF.	hex head flange thread forming	SHH.	slotted hex head
HJ.	hex jam	SHWH.	slotted hex washer head
HLH.	hex lag head	SPH.	slotted pan head
HOC.	height-of-cut	SQH.	square head
HS.	hex	SRH.	slotted round head
HSBH.	hex socket button head	STD.	standard
HSFH.	hex socket flat head	TAP.	self tapping
HS.	hex socket head	TTH.	torx truss head
HWH.	hex washer head	WH.	wing head
HWHTF.	hex washer head thread forming		

Footnotes

- ❶ Not illustrated
- ❷ Not serviced

Contents

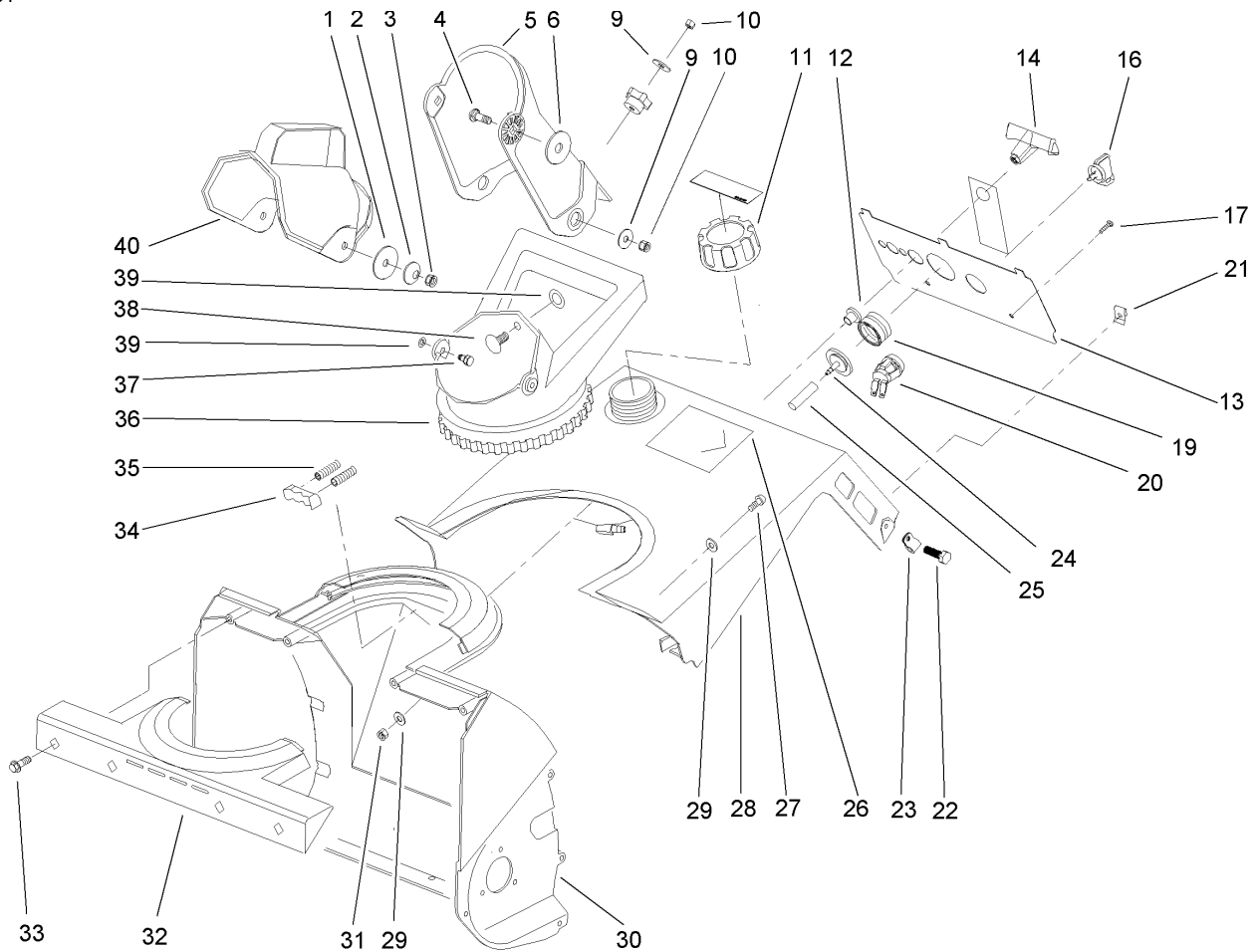
Description	Page	Description	Page
Impeller Drive Assembly 3	Engine Assembly Tecumseh No. Hsk635 1723c 10
Housing, Upper Shroud, and Chute Assembly 4		
Impeller Assembly 5	Recoil Starter Assembly No. 590743	
Engine, Side Plate and Wheel Assembly 6	Tecumseh Hsk635 Type 1723c 12
230 Volt Starter Assembly No. 105-2957 7	Recoil Starter Assembly No.590712 13
Handle and Lower Shroud Assembly 8		
Carburetor Assembly No. 640086 Tecumseh Hsk635 Type 1723c 9		



Impeller Drive Assembly

Ref	Part No.	Qty.	Description
1	3257-3	1	Key-Woodruff
2	71-5290-03	1	Plate-Engine
3	95-7945-03	1	Sideplate-LH
4	71-5470	1	Spring-Brake
5	32144-4	4	Screw-HWH
6	75-8870-03	1	Bracket-Cover, Belt
7	323-44	1	Screw-HH
8	94-9946-03	1	Guide-Belt
9	3296-29	5	Nut-Lock, NI
10	71-5050	1	Hub-Half Sheave
11	71-5060	1	Cap-Half Sheave
12	3256-71	1	Washer-Flat
13	3235-6	1	Screw-HH
14	94-2561	1	Decal-Hot
15	95-7946-03	1	Cover-Belt
16	3256-1	2	Washer-Flat
17	46-8094	3	Screw-Plastite
18	32105-23	1	Screw
19	3296-59	1	Nut-Lock, NI
20	71-5260	1	Pulley-Idler
21	94-9947	1	Arm-Brake
22	3296-38	1	Nut-Lock NI
23	94-9948	1	Bushing-Idler
24	3256-25	1	Washer-Flat

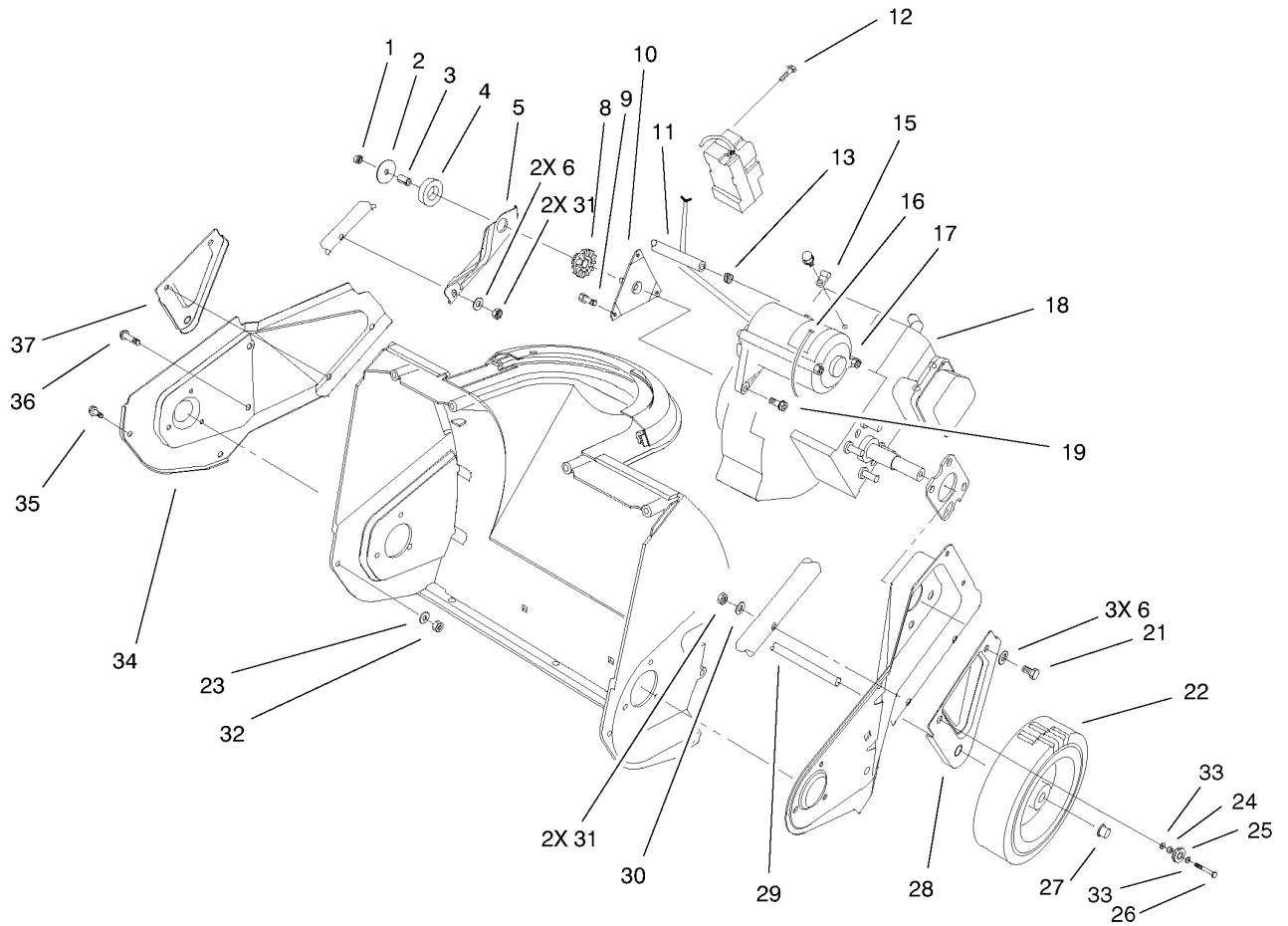
Ref	Part No.	Qty.	Description
25	75-8750	1	Pulley-Driven
26	99-1790	1	V Belt
27	75-8740	1	Hub
28	25-5640	1	Washer
29	3230-23	1	Screw-CARR
30	3256-14	1	Washer-Flat
31	3296-2	1	Nut-Lock



Housing, Upper Shroud, and Chute Assembly

Ref	Part No.	Qty.	Description
1	3256-68	2	Washer-Flat
2	3290-340	2	Washer-Belleville
3	3296-29	2	Nut-Lock, NI
4	3230-2	2	Bolt-CARR
5	75-8762	1	Chute
6	95-1905	2	Washer-Rubber
9	3256-81	3	Washer-Flat
10	3296-56	3	Nut-Lock, NI
11	104-4133	1	Gas Cap ASM
12	23-7470	1	Guide-Starter Rope
13	104-4941	1	Panel-Control
14	92-4853	1	Handle-Starter
16	63-8360	1	Key-Ignition
17	32144-53	2	Screw-SHWH
19	66-7460	1	Bulb-Primer
20	40-5940	1	Switch-On/off
21	49-1490	2	Nut
22	32144-89	2	Screw-Forming, Thread
23	98-2256	1	Clamp
24	44-2750	1	Body-Primer
25	44-3173	1	Hose-Primer
26	106-4724	1	Decal-Electric Start
27	3250-32	2	Screw-PPH
28	105-2994	1	Shroud-Tank, Gas Upper

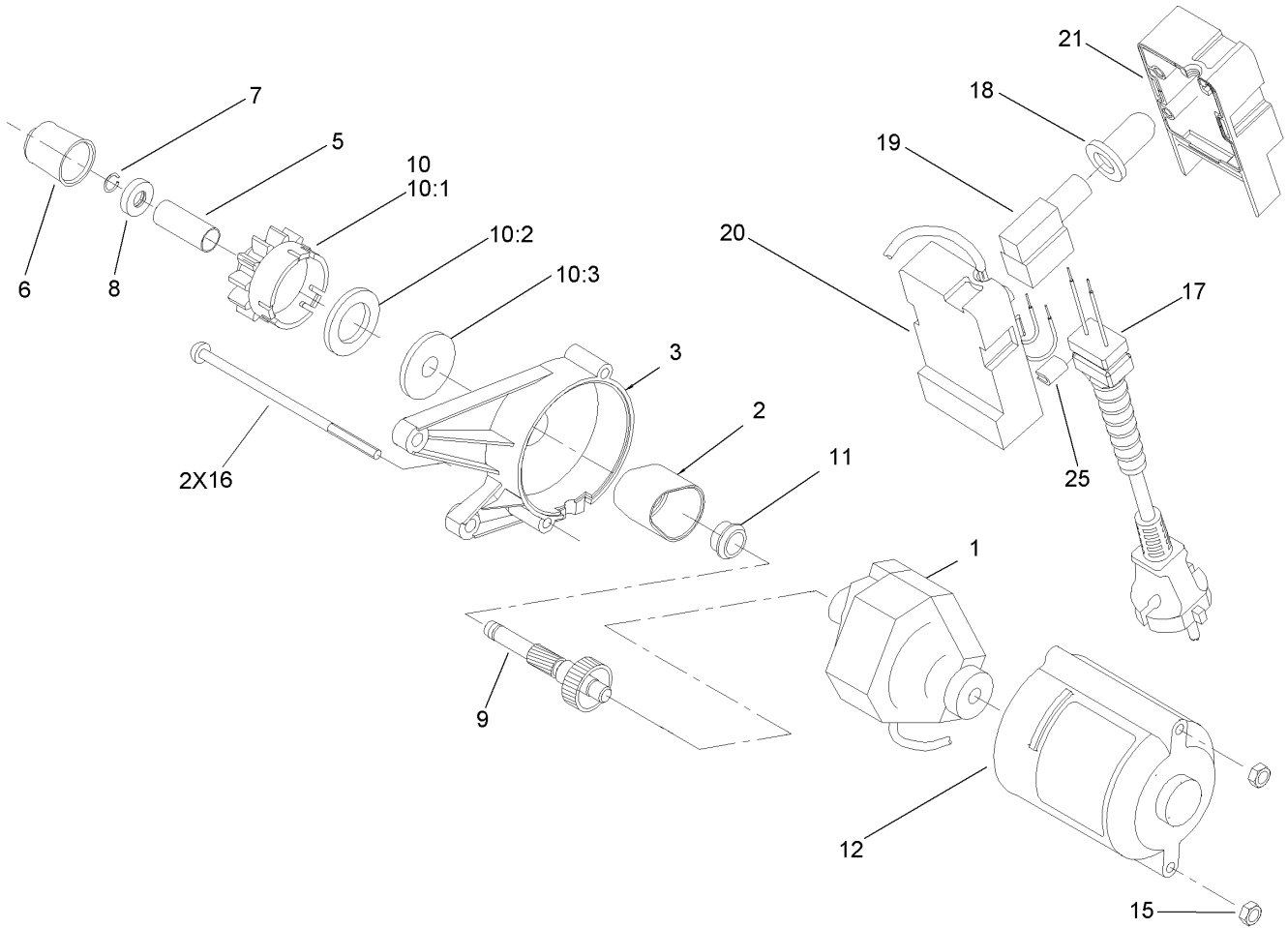
Ref	Part No.	Qty.	Description
29	3256-1	4	Washer-Flat
30	75-8660	1	Housing
31	3296-42	2	Nut-Lock, NI
32	75-8650	1	Retainer-Chute
33	46-8094	4	Screw-Plastite
34	75-9160	1	Detent-Chute
35	75-9170	2	Spring-Compression
36	75-8670	1	Handle-Chute
37	321-3	2	Screw-HH
38	3229-11	1	Screw-CARR
39	32115-15	3	Pushnut-Retainer, Bolt
40	75-8770	1	Deflector-Chute



Engine, Side Plate and Wheel Assembly

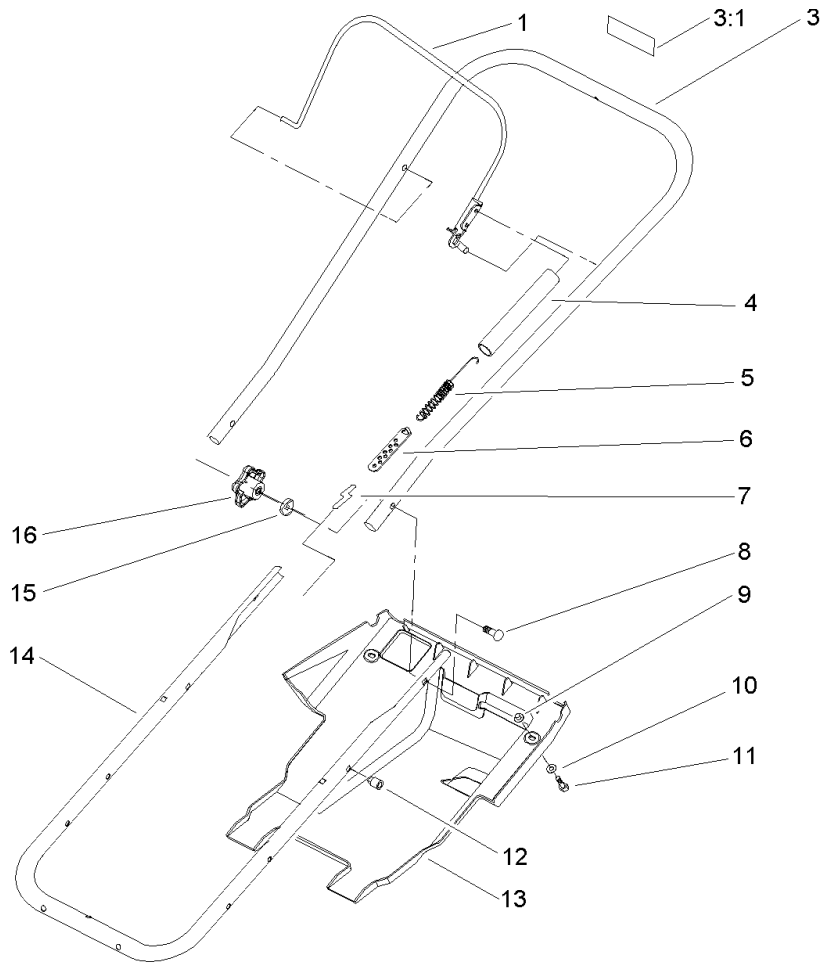
Ref	Part No.	Qty.	Description
1	3296-56	1	Nut-Lock, NI
2	3256-58	1	Washer-Flat
3	80-0650	1	Spacer-Tubular
4	95-1903	1	Ring-Isolator
5	75-8980-03	1	Bracket-Support, Engine
6	3256-1	5	Washer-Flat
8	75-9100	1	Bushing-Isolator
9	94-2789	3	Screw
10	92-6012	1	Bracket/stud ASM
11	49-2483	1	Line-Gas
12	32144-27	3	Screw-Plastite
13	2412-98	2	Clamp
15	2412-91	1	Clamp
16	250-7	1	Tie-Cable
17	105-2957	1	Starter ASM (230 Volt)
18		1	Engine-Tecumseh, Hsk635-1723c
19	80-0700	2	Screw
21	321-10	3	Screw-HH
22	23-3250	2	Wheel
23	3256-14	1	Washer-Flat
24	55-9370	1	Spacer-Blade, Rotor
25	95-7949	1	Cable-Pulley
26	321-11	1	Screw-HH
27	3290-320	2	Retainer-Push On

Ref	Part No.	Qty.	Description
28	75-8910-03	1	Bracket-Wheel, LH
29	27-0062	1	Axle
30	3-7501	2	Washer
31	3296-42	4	Nut-Lock, NI
32	3296-2	1	Nut-Lock
33	3256-1	2	Washer-Flat
34	75-8820-03	1	Plate-Side, RH
35	32105-23	1	Screw
36	46-8094	3	Screw-Plastite
37	75-8900-03	1	Bracket-Wheel, RH



230 Volt Starter Assembly No. 105-2957

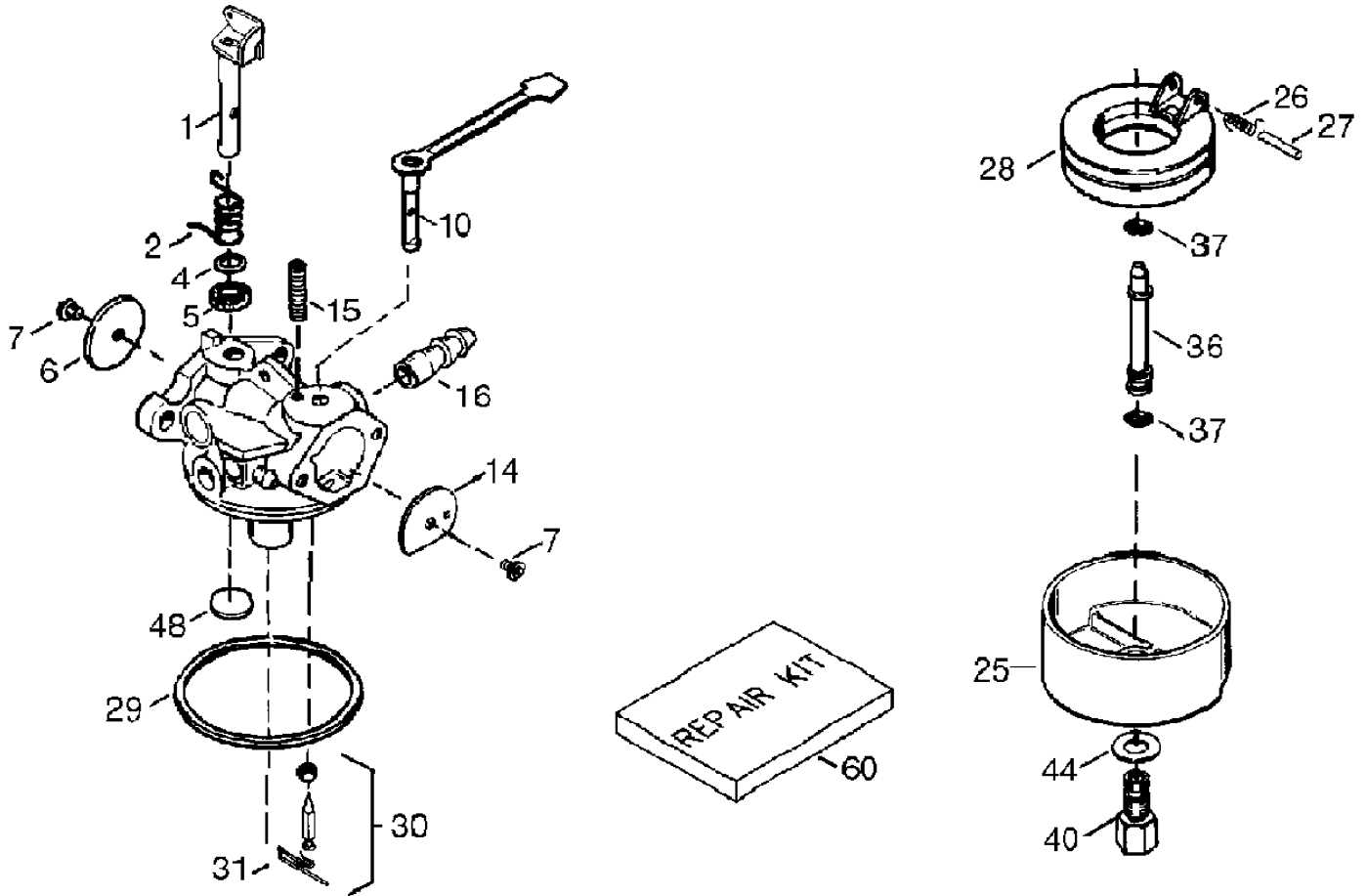
Ref	Part No.	Qty.	Description
1	99-1917	1	Motor-Starter
2	70-7850	1	Cover-Gear
3	100-3443	1	Housing-Upper Starter
5	61-4690	1	Spring
6	70-7890	1	Cap-Pinion
7	61-4680	1	Ring-Lock
8	100-2902	1	Stop-Pinion
9	105-8831	1	Shaft And Gear ASM
10	84-5240	1	Pinion ASM
10:1	70-7790	1	Nut
10:2	84-5230	1	Pinion
10:3	84-5440	1	Ring-Rubber
11	70-7900	1	Bushing
12	100-3444	1	Housing-Lower Starter
15	3296-2	2	Nut-Lock
16	32144-101	2	Screw
17	100-3556	1	Plug-Power 230 Volt
18	36-8350	1	Boot-Switch
19	36-8340	1	Switch-Starter
20	100-3441	1	Switch-Base Housing
21	100-3442	1	Switch-Cap Housing
25	99-6088	1	Spacer-Plug



Handle and Lower Shroud Assembly

Ref	Part No.	Qty.	Description
1	95-7943-03	1	Bail ASM
3	100-5453	1	Upper Handle ASM
3:1	94-2577	1	Decal-Rotor Drive
4	71-5530	1	Cover-Spring
5	71-5480	1	Spring-Clutch
6	71-5330	1	Adjuster-Clutch Cable
7	94-9949	1	Cable-Clutch
8	92-2260	2	Screw-Handle
9	605120	2	Nut-Clip
10	3256-14	2	Washer-Flat
11	32144-34	2	Screw-Forming, Thread
12	32115-17	2	Nut-Expansion
13	75-8790	1	Shroud
14	75-9060-03	1	Tube-Frame
15	75-9130	2	Washer-Curved
16	106-4161	2	Knob-Handle

--	--	--	--



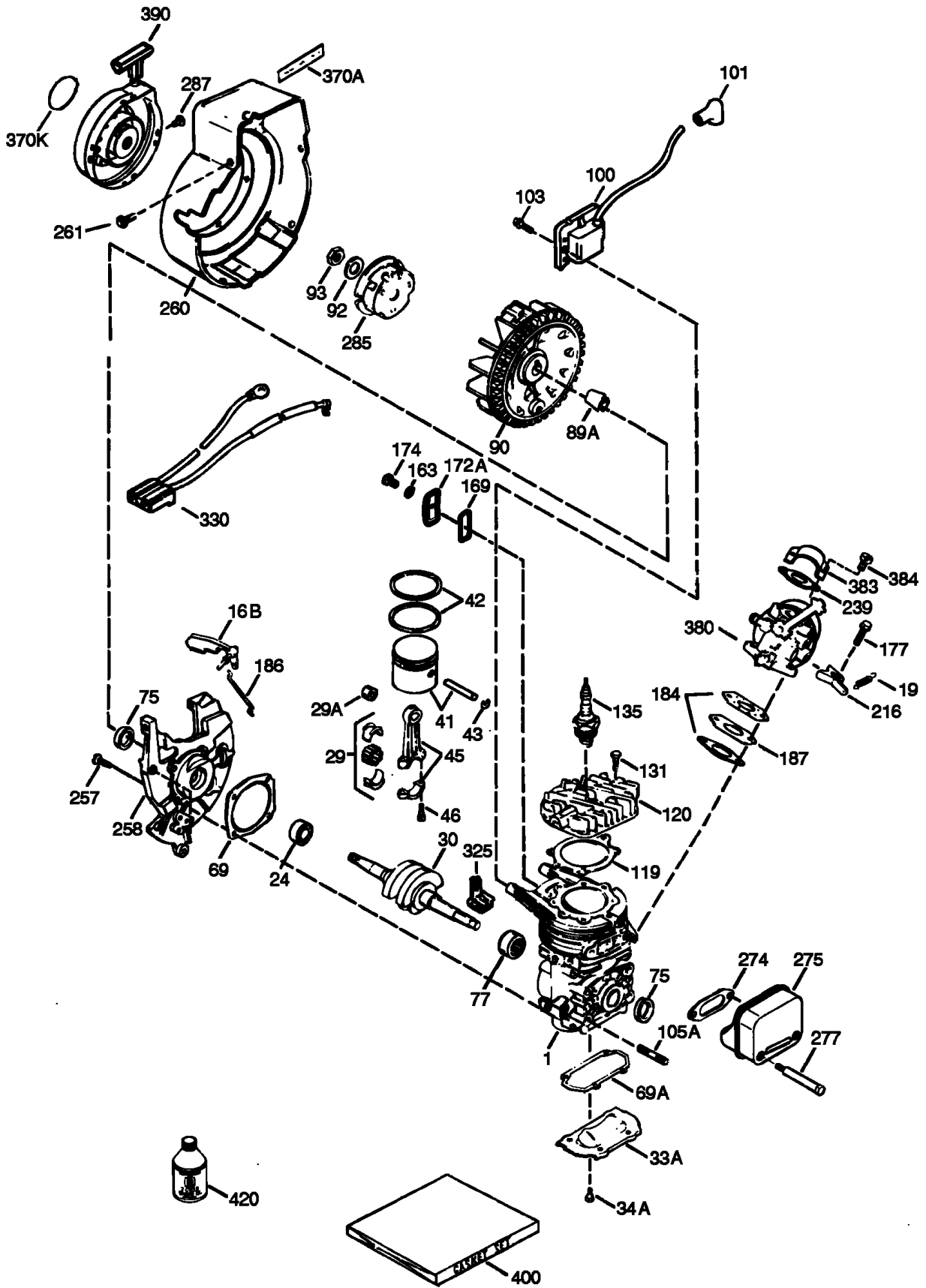
Carburetor Assembly No. 640086 Tecumseh Hsk635 Type 1723c

Ref	Part No.	Qty.	Description
0	640086A	1	Carburetor (Incl. 184 Of Engine Parts List)
1	632166A	1	Throttle Shaft And Lever Assembly
2	632169	1	Spring-Trottle, Return
4	631184	1	Washer-Dust Seal
5	631183	1	Seal-Dust, Throttle
6	631616	1	Throttle-Shutter
7	650506	2	Shutter-Screw
10	632553	1	Choke Shaft And Lever Assembly
14	31837	1	Shutter-Choke
15	630735	1	Spring-Choke, Positioning
16	632164	1	Fitting-Fuel
25	631867	1	Float-Bowl
26	632386	1	Spring-Float, Dampening
27	631024	1	Float-Shaft
28	632019	1	Float
29	631028	1	O-Ring-Bowl, Float
30	631021	1	Inlet Needle, Seat & Clip (Incl. 31)
31	631022	1	Clip-Spring
36	640080	1	Tube-Nozzle, Main
37	632547	2	O-Ring-Main Nozzle Tube
40	640301	1	Nut-Bowl, High Speed
44	27110A	1	Washer-Nut, Bowl
48	631027	1	Welch Plug-Atmospheric Vent

Ref	Part No.	Qty.	Description
60	632760	1	Repair Kit

Engine Assembly

Tecumseh No. Hsk635 1723c

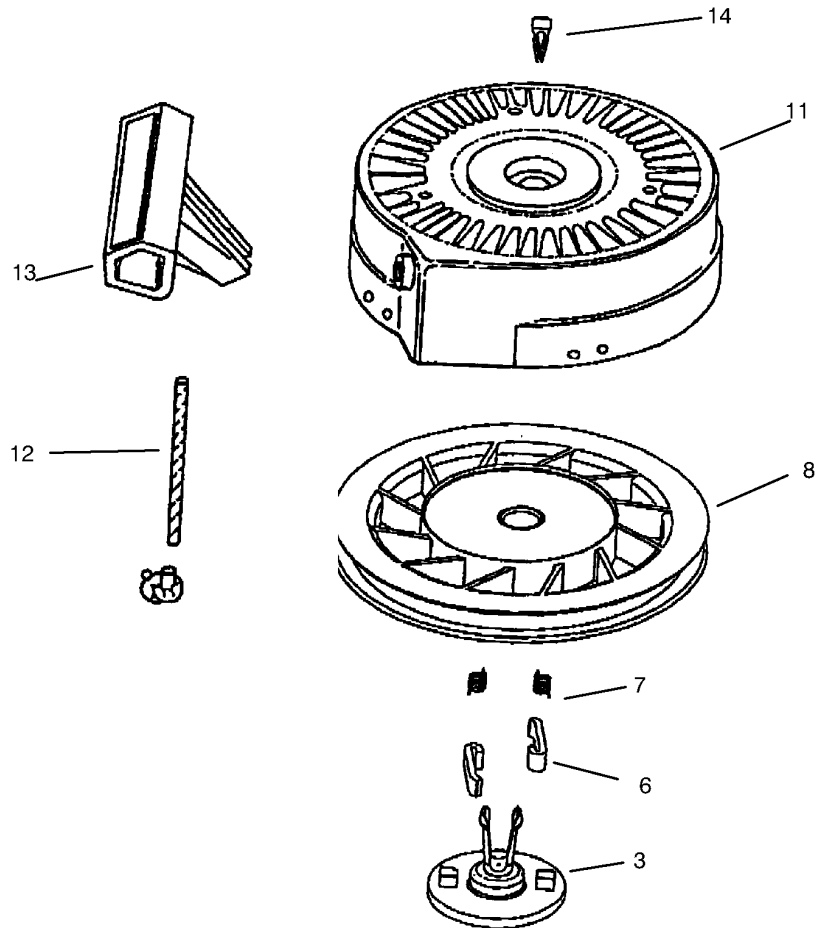


Engine Assembly

Tecumseh No. Hsk635 1723c

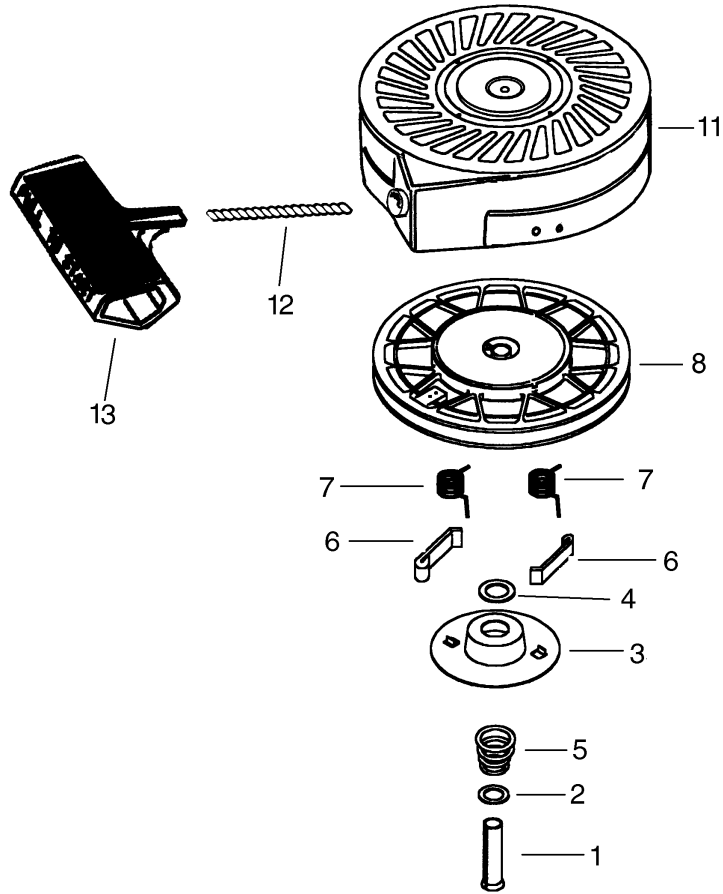
Ref	Part No.	Qty.	Description
1	0	1	Cylinder
16B	490291A	1	Vane-Air
19	570707	1	Spring-Extention
24	530110	1	Bearing-Ball
29	530150	1	Needle Bearing And Liner Set (37 Needles)
29A	530104A	1	Bearing-Cartridge
30	290602	1	Crankshaft
33A	570644	1	Plate-Cover
34A	650579	4	Screw, T-25, 10-24 X 1/2"
41	310283A	1	Piston & Pin Ass'y. (Incl. 43)
42	310289	2	Ring Set
43	310167	2	Ring-Retaning
45	310235B	1	Connecting Rod Ass'y. (Incl. 29, 29a, & 46)
46	650633	2	Bolt-Rod, Connecting
69	510292A	1	Gasket-Cover, Cylinder
69A	510323A	1	Gasket-Plate, Cover
75	510319	2	Seal-Oil
77	530105	1	Bearing-Cartridge
89A	611032	1	Sleve-Adapter
90	611066	1	Flywheel
92	650815	1	Washer-Belleville
93	650390	1	Nut-Flywheel
100	34443B	1	Solid State Ignition (Incl. 101)
101	610118	1	Cover-Spark Plug
103	651007	2	Screw, T-15, 10-24 X 15/16"
105A	650796	4	Stud
119	510274A	1	Gasket-Cylinder Head
120	250240B	1	Head-Cylinder
131	650477	5	Screw, T-30, 1/4-20 X 3/4"
135	611049	1	Plug-Spark, Resister (Rcj8y)
163	650838	1	Washer
169	510325A	1	Cover, Compression Release
172A	570708	1	Cover-Compression Release
174	650579	1	Screw, T-25, 10-24 X 1/2"
177	650959	2	Screw, 5/32, 1/4-20 X 1"
184	510326A	2	Gasket-Carburetor
186	490322	1	Governor-Link
187	570438A	1	Spacer
216	570645	1	Lever-Adjusting, Rpm
239	35815	1	Gasket-Air Cleaner
257	650911	4	Screw, T-30, 1/4-20 X 5/8"
258	350422	1	Base-Housing,blower (Incl.75)
260	350437	1	Housing-Blower
261	650737	4	Screw, 1/4-20 X 1/2"
274	510207A	1	Gasket-Exhaust
275	390332	1	Muffler (Incl. 274 & 277)
277	650869	2	Screw, 1/4-20 X 2-3/4"

Ref	Part No.	Qty.	Description
285	590551A	1	Cup-Starter
287	650926	3	Screw, 8-32 X 21/64"
325	29443	1	Clip-Wire
330	611131A	1	Harness-Wire
370A	36261	1	Decal-Instruction
370K	36695	1	Decal-Starter
380	640086A	1	Carburetor (Incl. 184)
383	570434	1	Baffle-Carburetor
384	650431	2	Screw, T-25, 10-32 X 5/8"
390	590743	1	Rewind Starter Assembly
400	510324B	1	Gasket Set
420	730227B	1	2-Cycle Oil (8 Oz.)



Recoil Starter Assembly No. 590743 Tecumseh Hsk635 Type 1723c

Ref	Part No.	Qty.	Description				
0	590743	1	Rewind Starter Assembly				
3	590740	1	Retainer				
6	590616	2	Dog-Starter				
7	590617	2	Spring-Dog				
8	590645A	1	Pulley And Rewind Spring Assembly				
11	590643A	1	Starter Housing Assembly				
12	590535	1	Rope-Starter				
13	590701	1	Handle-Starter				
14	590760	1	Clip-Spring				



Recoil Starter Assembly No.590712

Ref	Part No.	Qty.	Description				
0	590712	1	Rewind Starter Assembly (Optional)				
1	590599A	1	Spring Pin (Incl. 4)				
2	590600	1	Washer				
3	590696	1	Retainer				
4	590601	1	Washer				
5	590697	1	Spring-Brake				
6	590698	2	Dog-Starter				
7	590699	2	Spring-Dog				
8	590709	1	Pulley And Rewind Spring Assembly				
11	590713	1	Starter Housing Assembly				
12	590535	1	Rope-Starter				
13	590701	1	Handle-Starter				

NOTES

NOTES

