



Count on it.

Parts Catalog

**Power Max[®] Heavy Duty 1432
OHXE Snowthrower**

Model No. 38865—Serial No. 406320000 and Up



Ordering Replacement Parts

To order replacement parts, please supply the part number, the quantity, and the description of each part desired.

Understanding Reference Numbers

Each identified part in an illustration has a reference number. The reference number for a part also appears in the parts list, along with other information about the part.

This catalog uses two special reference number formats, one to indicate parts in a service assembly and another to indicate the quantity of a given part in an illustration.

Service Assembly Reference Numbers

Parts in service assemblies have reference numbers in the form a:b. The a represents the reference number of the entire service assembly and the b represents a sequential number unique to each part within the service assembly.

For example, a wheel assembly might be identified by reference number 6, the tire by 6:1, the valve by 6:2, and the wheel by 6:3. When you order the assembly identified by reference number 6, you receive all parts identified by reference numbers 6:1, 6:2, and 6:3. However, you may also order any part individually. Reference numbers of this type appear in illustration and in parts lists.

Reference Numbers Indicating Quantity

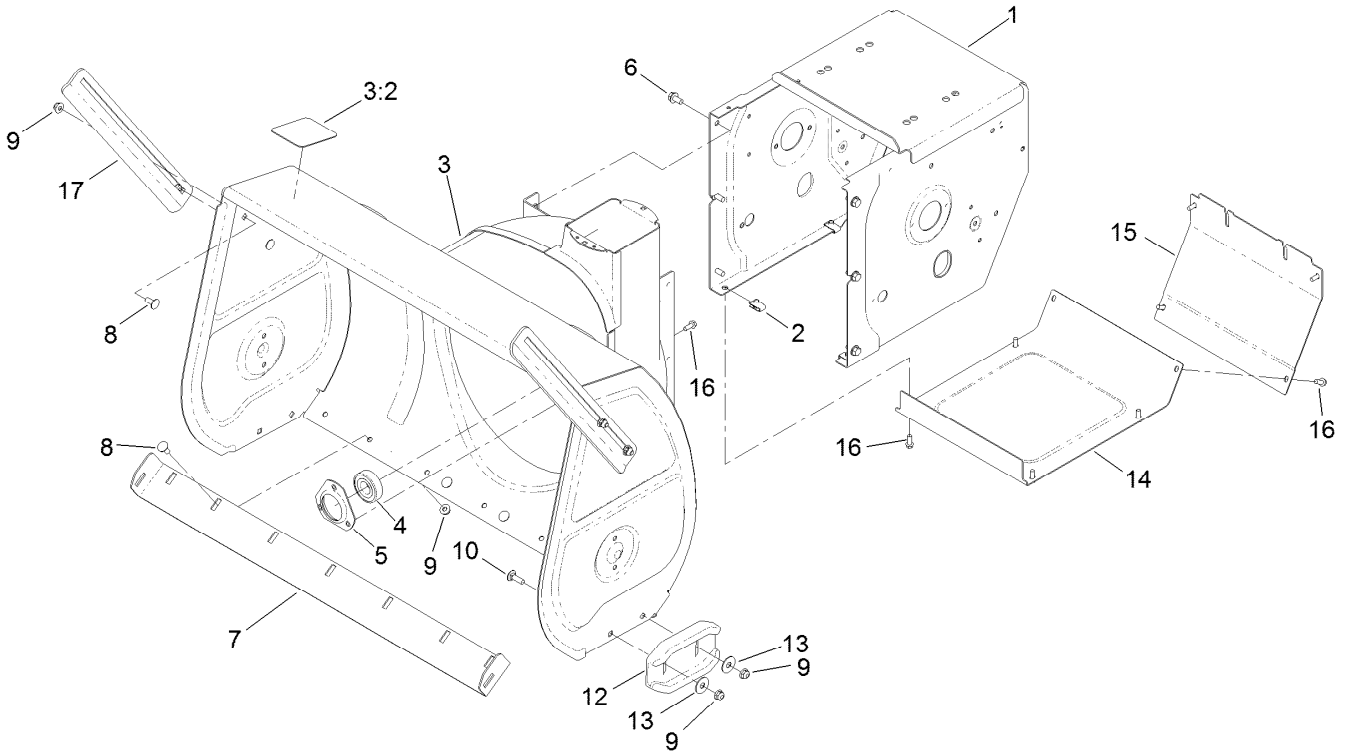
In an illustration, if a reference number indicates more than one part, the reference number has the form nX y. The n represents the quantity of the part, the X is the multiplication symbol, and the y represents the reference number.

For example, in an illustration, the reference number 2X 37 means that two of the parts identified by reference number 37 are indicated.

Contents

Main Frame Assembly	4
Auger Drive Assembly	6
Gear Case Assembly	8
Auger Gear Case Assembly No. 136-6620	10
Engine Assembly	12
Fuel Systems and Carburetor Assembly	14
Intake and Exhaust Assembly	16
Ignition and Electrical Assembly	18
Crankcase Assembly	20
Governor Assembly	22
Piston and Head Assembly	24
Blower Housing and Shrouds Assembly	26
Engine Decal Assembly	28
Chute Assembly	30
Chute Control Assembly	32
Traction Control Assembly	34
Handle Assembly	36
Traction Drive Assembly	38
Attachments and Accessories	40

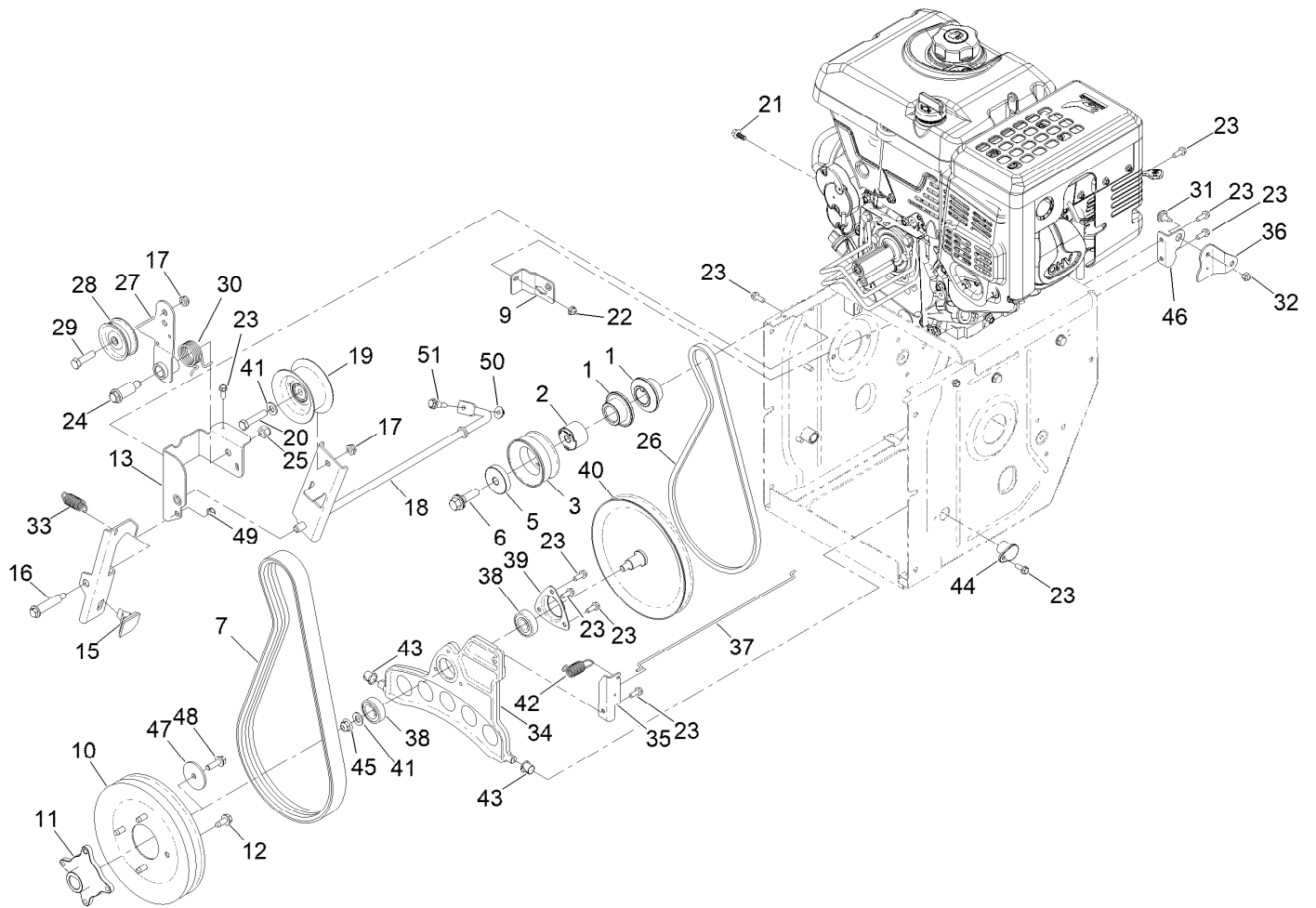
Main Frame Assembly



Main Frame Assembly (continued)

<i>Ref.</i>	<i>Part Number</i>	<i>Qty.</i>	<i>Description</i>	<i>Ref.</i>	<i>Part Number</i>	<i>Qty.</i>	<i>Description</i>
1	136-6639-01	1	Frame-Traction	9	119-4041	15	Nut-HF
2	107069	8	Clip	10	110-3144	4	Bolt-CARR
3	139-1563	1	Auger Housing ASM	12	120-3098-03	2	Skid-Cast
3:2	121-6817	1	Decal-Danger, Auger	13	119-4150	4	Washer-Flat
4	136-6571	1	Bearing-Ball	14	136-6650-01	1	Cover-Bottom
5	136-6573	1	Retainer-Bearing	15	136-6651-01	1	Cover-Rear
6	32144-14	6	Screw-HWHTF	16	32144-85	11	Screw-HWH Thd Form
7	136-6602-01	1	Blade-Scraper	17	121-1228-03	2	Breaker-Drift, Side
8	137-3061	11	Bolt-CARR				

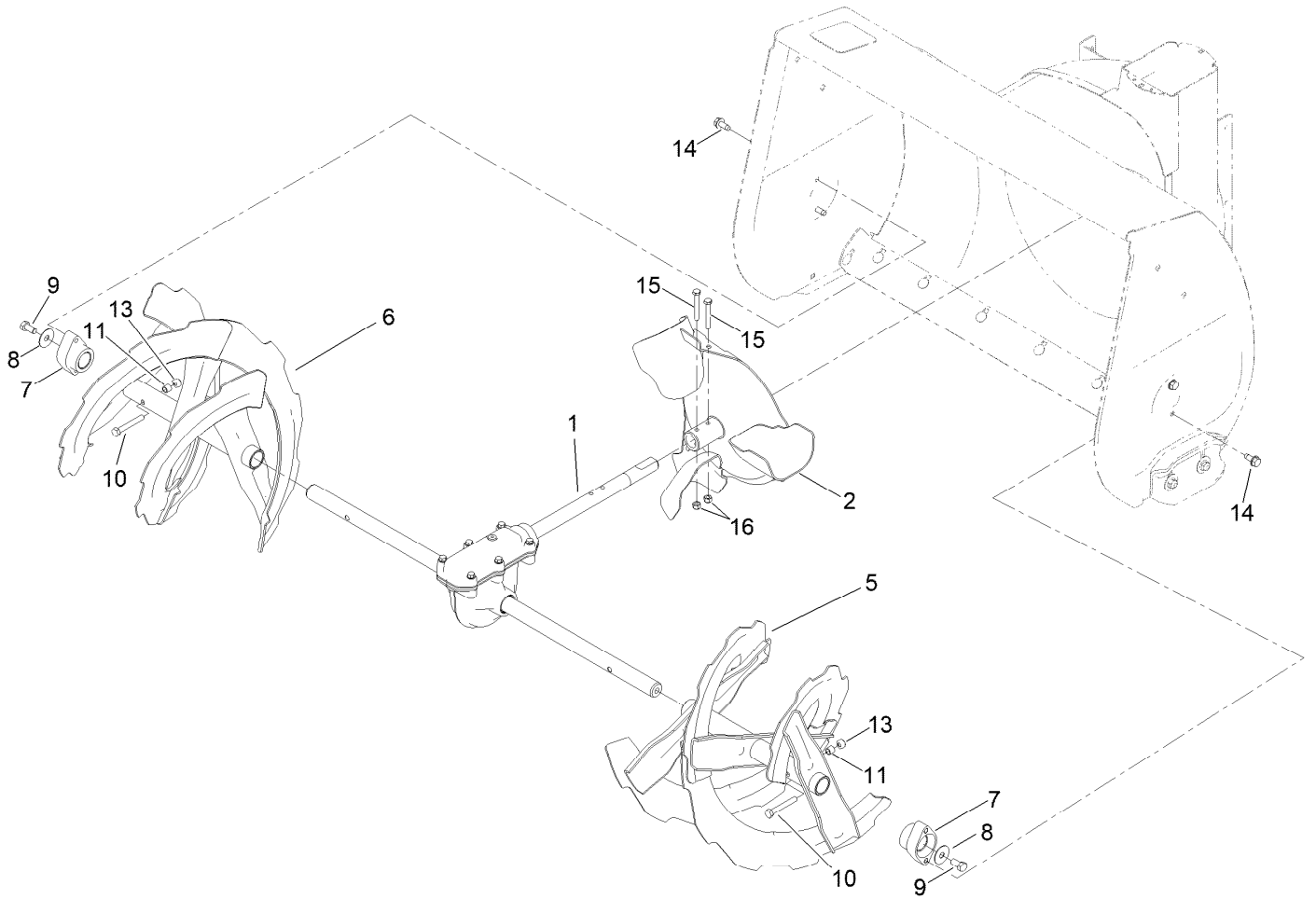
Auger Drive Assembly



Auger Drive Assembly (continued)

<i>Ref.</i>	<i>Part Number</i>	<i>Qty.</i>	<i>Description</i>	<i>Ref.</i>	<i>Part Number</i>	<i>Qty.</i>	<i>Description</i>
1	136-6564	2	Pulley-Traction, Engine	27	136-7186	1	Arm-Idler, Traction
2	136-6691	1	Pulley-Spacer	28	3-4244	1	Pulley-Idler
3	136-6690	1	Pulley-Impeller, Double Sheave	29	137-3065	1	Screw-HH
5	138-3662	1	Support-Pulley	30	120-3060	1	Spring-Torsion
6	125-2466	1	Bolt-Blade	31	92-9698	1	Screw-Shoulder
7	136-6504	1	Belt-V	32	137-3094	1	Nut-Hex
9	136-8654-03	1	Bracket-Clutch, Impeller	33	107-1045	1	Spring-Extension
10	136-6557	1	Pulley-Impeller, Double Sheave	34	136-6689	1	Plate-Friction, Wheel
11	136-6558	1	Hub-Pulley	35	137-6156	1	Bracket-Plate, Traction
12	32144-70	4	Screw-HWHTF	36	137-6159-03	1	Bellcrank-Drive
13	136-8671-03	1	Bracket-Brake, Clutch	37	137-6157	1	Link-Drive
15	66-8060	1	Pad-Brake	38	38-7820	2	Bearing-Ball
16	136-7199	1	Bolt-Shoulder	39	136-7124	1	Retainer-Bearing
17	121-4600	2	Nut-Hex	40	137-6154	1	Pulley-Traction
18	137-6234-03	1	Arm-Clutch, Impeller	41	115-1166	2	Washer-Plain
19	136-6531	1	Pulley, Idler	42	137-6189	1	Spring-Extension
20	138-0722	1	Screw-HH	43	256-257	2	Bushing-Nyliner
21	137-3111	1	Screw-HHF	44	120-7156	2	Bushing-Plate, Traction
22	137-3005	1	Nut-HF	45	119-4042	1	Nut-HF, NI
23	32144-85	12	Screw-HWH Thd Form	46	136-6654	1	Bracket-Bellcrank
24	136-7116	1	Bolt-Shoulder	47	137-3121	1	Washer-Plain
25	137-3095	1	Nut-Hex	48	115-5142	1	Screw-HHF, Patch
26	137-6151	1	V-Belt	49	137-3089	1	Nut-Hex
				50	137-3016	1	Nut-HF
				51	104-0858	1	Bolt-Shoulder

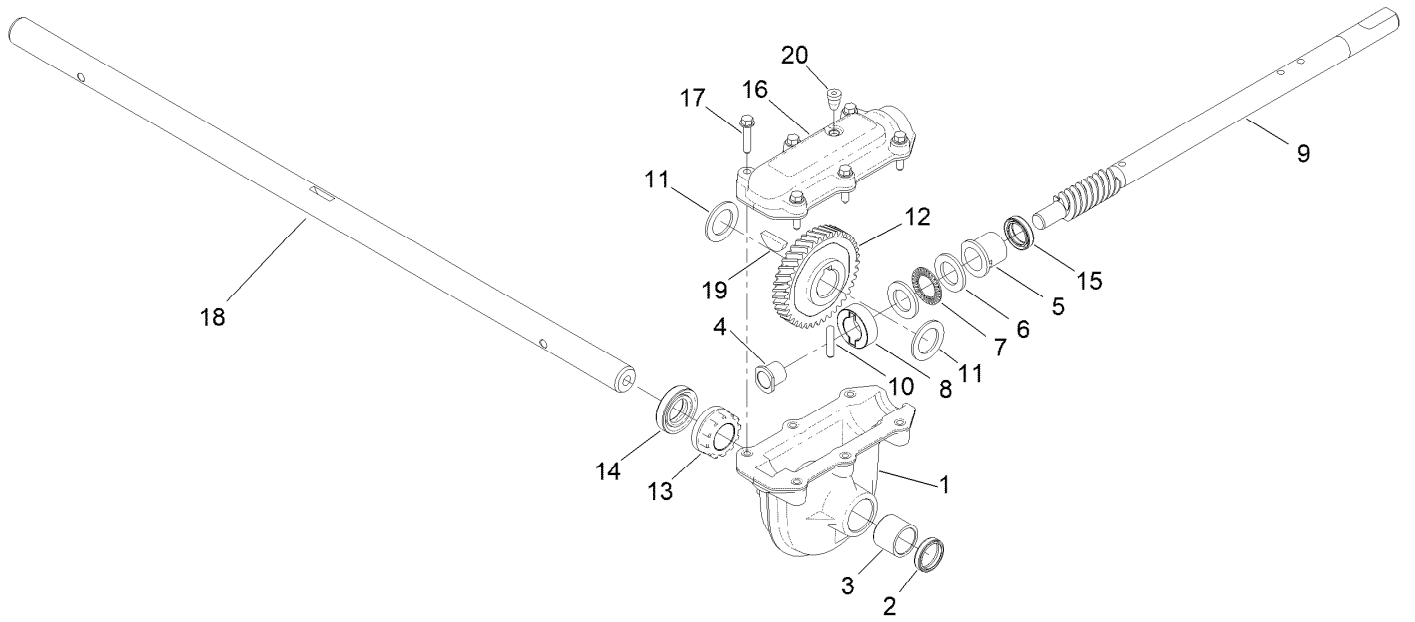
Gear Case Assembly



Gear Case Assembly (continued)

<i>Ref.</i>	<i>Part Number</i>	<i>Qty.</i>	<i>Description</i>	<i>Ref.</i>	<i>Part Number</i>	<i>Qty.</i>	<i>Description</i>
1	136-6620	1	Auger Gearcase ASM	10	120-9738	2	Screw-HH
2	136-6570-03	1	Impeller	11	136-7148	2	Spacer-Grommet
5	136-6597-03	1	Auger-LH, 32 Inch	13	119-4038	2	Nut-Hex
6	136-6598-03	1	Auger-RH, 32 Inch	14	32144-70	4	Screw-HWHTF
7	106-4570	2	Bearing-Auger	15	137-3032	2	Screw-HH
8	3-0750	2	Washer	16	137-3088	2	Nut-Hex
9	137-3066	2	Screw-HH				

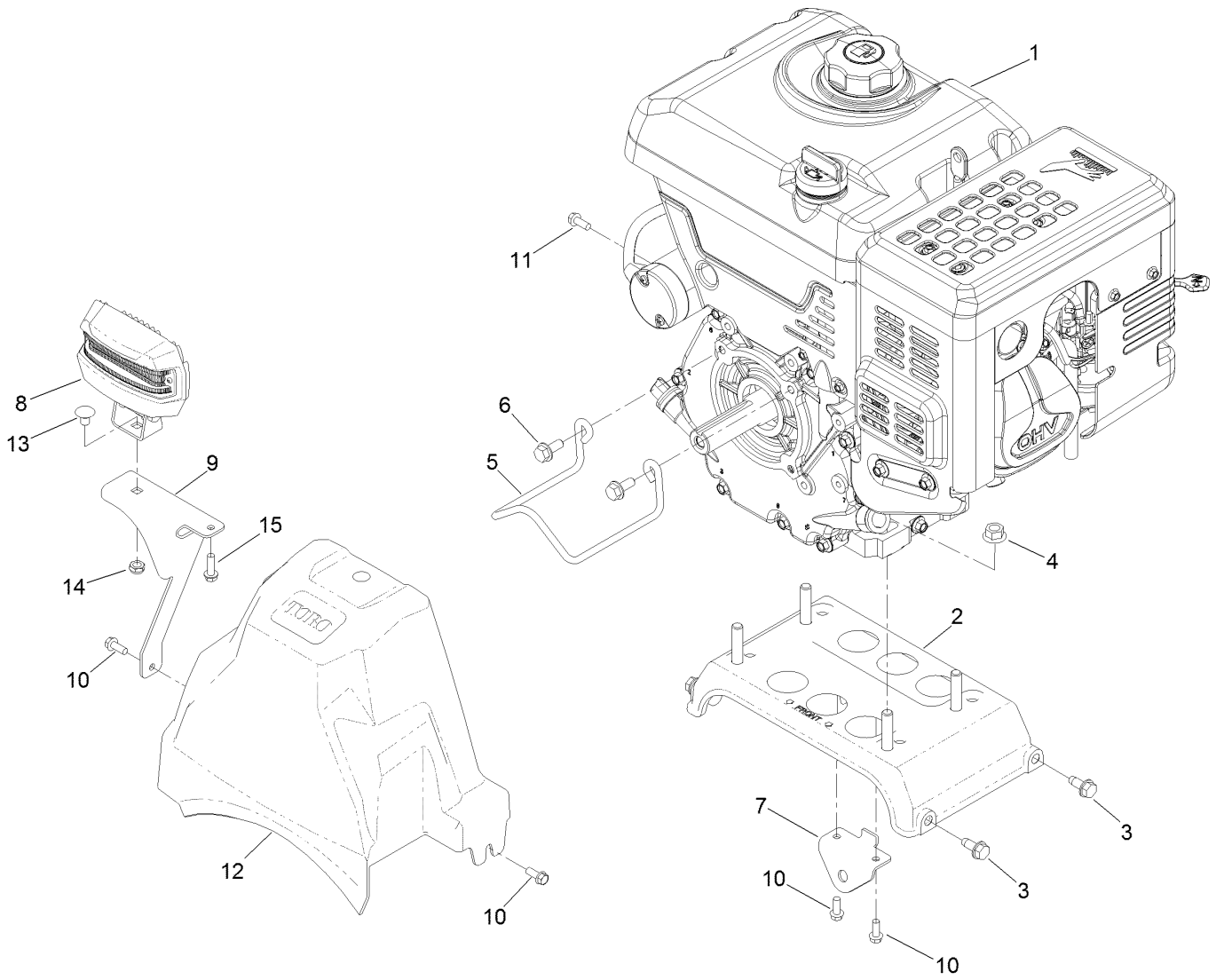
Auger Gear Case Assembly No. 136-6620



Auger Gear Case Assembly No. 136-6620 (continued)

<i>Ref.</i>	<i>Part Number</i>	<i>Qty.</i>	<i>Description</i>	<i>Ref.</i>	<i>Part Number</i>	<i>Qty.</i>	<i>Description</i>
1	136-6547	1	Gearbox-Lower (Mach)	11	252-71	2	Washer-Thrust
2	137-6173	1	Seal-Oil	12	138-0696	1	Gear-Helical
3	112-6635	1	Bushing-Sleeve	13	136-6553	1	Bushing-Auger Output
4	136-6556	1	Bushing-Impeller Shaft, Front	14	136-6554	1	Seal-Oil
5	37-6560	1	Bushing-Input	15	137-6174	1	Seal-Oil
6	252-78	2	Washer-Thrust	16	136-6546	1	Cover-Gearcase
7	252-76	1	Bearing-Thrust	17	108-4862	6	Screw-HWH Thd Roll
8	136-6555	1	Collar-Thrust	18	136-6617	1	Shaft-Auger, 32"
9	137-6175	1	Shaft-Impeller	19	3257-10	1	Key-Woodruff
10	107-8899	1	Pin-Dowel	20	138-3629	1	Plug-Oil

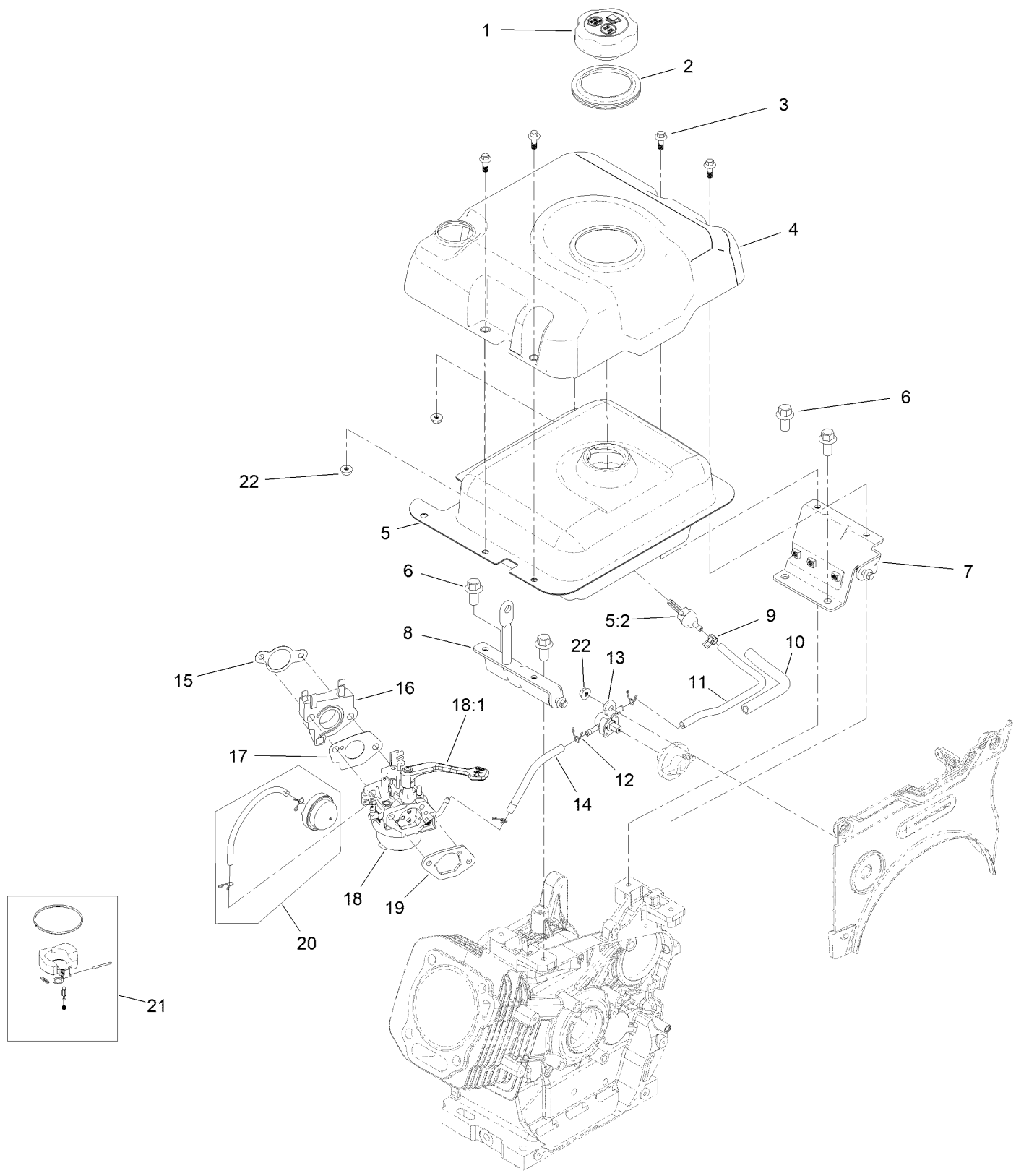
Engine Assembly



Engine Assembly (continued)

<i>Ref.</i>	<i>Part Number</i>	<i>Qty.</i>	<i>Description</i>	<i>Ref.</i>	<i>Part Number</i>	<i>Qty.</i>	<i>Description</i>
1	139-0732	1	Engine-Lc190Fds-1	9	138-0683-03	1	Bracket-Light
2	137-6165	1	Engine Plate ASM	10	32144-85	2	Screw-HWH Thd Form
3	32144-70	4	Screw-HWHTF	11	121-4604	1	Screw-HH
4	136-8683	4	Nut-Lock	12	136-6606	1	Cover-Belt
5	136-6607	1	Belt Guide	13	3230-19	1	Bolt-CARR
6	138-0690	2	Screw-HHF,Patch	14	137-3089	1	Nut-Hex
7	136-6644-03	1	Bracket-Control, Traction	15	137-3099	1	Screw-Plastite, HWH
8	138-0670	1	LED Light ASM				

Fuel Systems and Carburetor Assembly

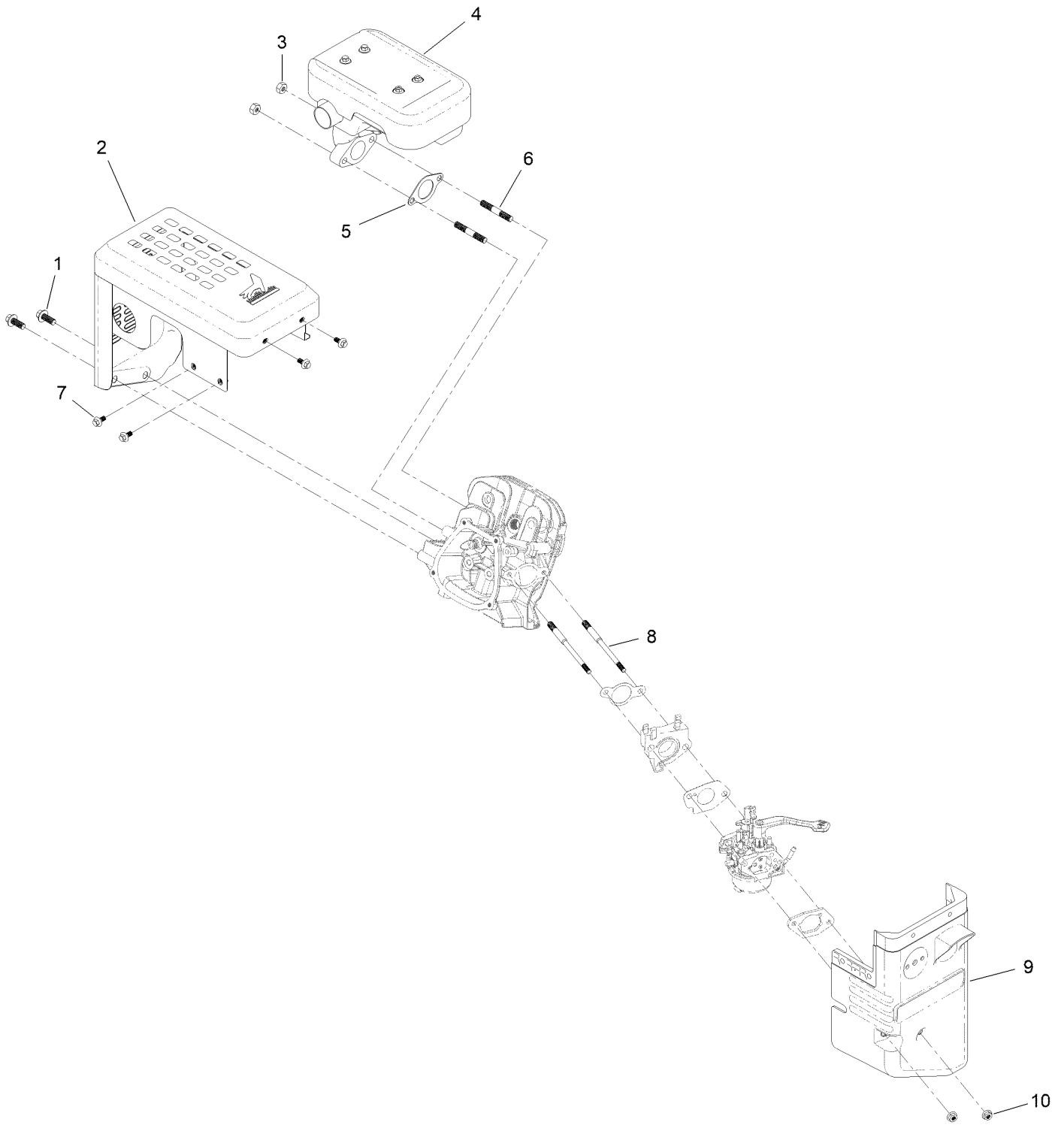


Fuel Systems and Carburetor Assembly (continued)

<i>Ref.</i>	<i>Part Number</i>	<i>Qty.</i>	<i>Description</i>	<i>Ref.</i>	<i>Part Number</i>	<i>Qty.</i>	<i>Description</i>
1	133-9823	1	Cap-Fuel	13	121-0258	1	Valve-Fuel
2	121-0324	1	Insert-Cover, Tank	14	139-0583	1	Hose-Fuel
3	121-0296	4	Screw-HHF	15	139-0579	1	Gasket-Carburetor
4	139-0574	1	Cover-Tank, Fuel	16	139-0580	1	Insulator-Carburetor
5	139-0567	1	Fuel Tank And Filter ASM	17	139-0581	1	Gasket-Carburetor
5:2	127-9065	1	Filter-Fuel	18	144-0964	1	Carburetor ASM
6	139-0569	4	Screw-HHF	18:1	139-0638	1	Lever-Choke
7	139-0571	1	Bracket-Tank, Right	19	121-0254	1	Gasket-Coated, Rubber
8	139-0570	1	Bracket-Tank, Left	20	127-9372	1	Primer Kit
9	127-9120	1	Clamp-Hose	21	139-0625	1	Internal Carb Service Kit
10	139-0566	1	Sleeve-Abrasion	22	121-0010	3	Nut-Flange
11	127-9064	1	Hose-Fuel	99	144-0970	1	High Altitude Kit ●
12	121-0087	3	Clamp-Hose				

● Not illustrated

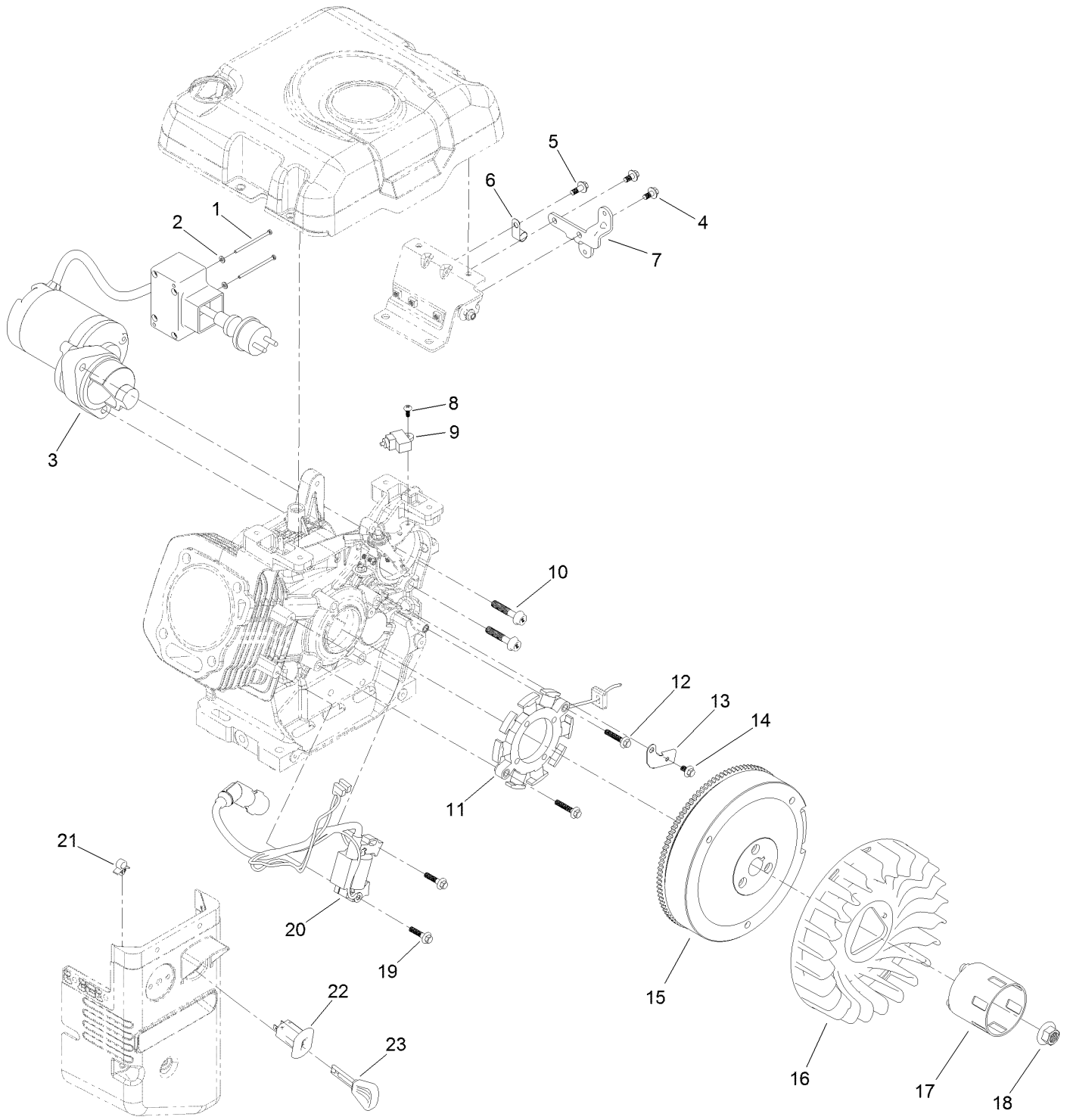
Intake and Exhaust Assembly



Intake and Exhaust Assembly (continued)

<i>Ref.</i>	<i>Part Number</i>	<i>Qty.</i>	<i>Description</i>	<i>Ref.</i>	<i>Part Number</i>	<i>Qty.</i>	<i>Description</i>
1	121-0297	2	Screw-HHF	6	121-0304	2	Stud-Mount, Muffler
2	139-0577	1	Shield-Muffler	7	121-0294	4	Screw-HHF
3	121-0199	2	Nut-HH	8	121-0303	2	Stud-Mount, Carburetor
4	139-0578	1	Muffler ASM	9	144-0962	1	Box-Heater
5	121-0272	1	Gasket-Exhaust	10	121-0308	2	Nut-Flange

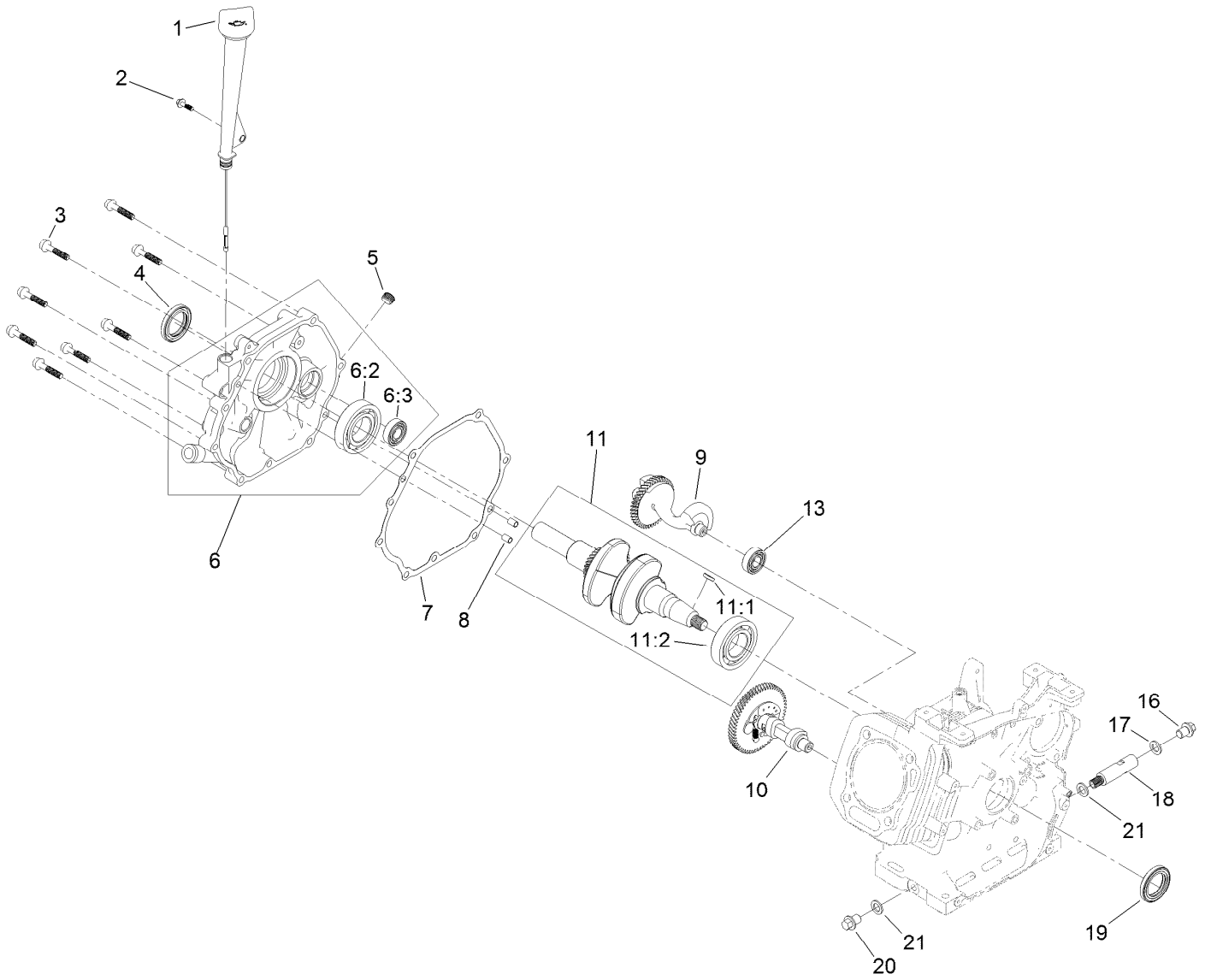
Ignition and Electrical Assembly



Ignition and Electrical Assembly (continued)

<i>Ref.</i>	<i>Part Number</i>	<i>Qty.</i>	<i>Description</i>	<i>Ref.</i>	<i>Part Number</i>	<i>Qty.</i>	<i>Description</i>
1	121-0306	2	Screw-Bhp	13	139-0555	1	Clamp-Wire, Charge
2	121-0312	2	Washer-Plain	14	121-0118	1	Screw-HHF
3	139-0589	1	Motor-Starter	15	139-0558	1	Flywheel ASM
4	121-0294	2	Screw-HHF	16	139-0559	1	Fan-Cooling
5	121-0296	1	Screw-HHF	17	139-0560	1	Cup-Starter
6	121-0017	1	Clip-Harness, Wire	18	121-0309	1	Nut-Flange
7	139-0572	1	Bracket-Box, Switch	19	121-0097	2	Screw-HHF
8	120-4461	1	Screw-PPH	20	139-0557	1	Ignition Coil ASM
9	139-0563	1	Switch-Stop, Engine	21	121-0326	1	Clip
10	121-0298	2	Screw-HHF	22	121-0283	1	Switch-Key
11	121-4108	1	Stator Coil ASM	23	117-7728	1	Key
12	120-4223	2	Screw-HHF				

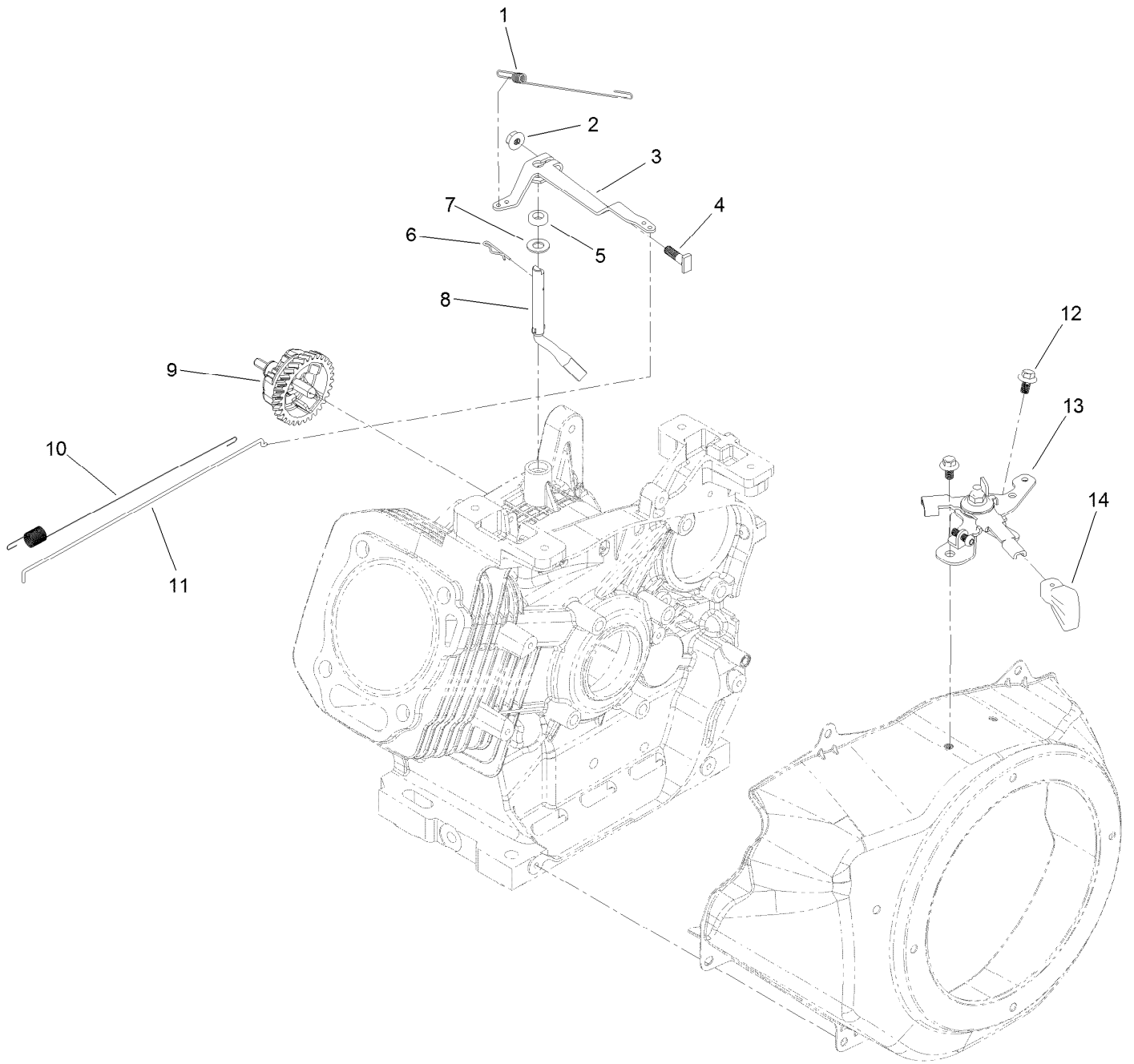
Crankcase Assembly



Crankcase Assembly (continued)

<i>Ref.</i>	<i>Part Number</i>	<i>Qty.</i>	<i>Description</i>	<i>Ref.</i>	<i>Part Number</i>	<i>Qty.</i>	<i>Description</i>
1	136-7941	1	Oil Fill ASM	10	136-7939	1	Camshaft ASM
2	127-9123	1	Screw-HHF	11	139-0586	1	Crankshaft ASM
3	121-0298	8	Screw-HHF	11:1	120-4320	1	Key-Woodruff
4	136-7942	1	Seal-Oil	11:2	120-4261	1	Bearing-Ball
5	133-9805	1	Plug-Drain	13	136-7949	1	Bearing-Ball
6	139-0611	1	Crankcase Cover ASM	16	121-0030	1	Screw-HHF
6:2	120-4261	1	Bearing-Ball	17	121-0048	1	Washer-Plain
6:3	136-7949	1	Bearing-Ball	18	121-0229	1	Tube-Drain, Oil
7	136-7945	1	Gasket-Cover, Case	19	139-0556	1	Seal-Oil
8	121-0314	2	Pin-Dowel	20	121-0222	1	Screw-HHF
9	139-0550	1	Shaft-Balance	21	121-0310	2	Washer-Plain

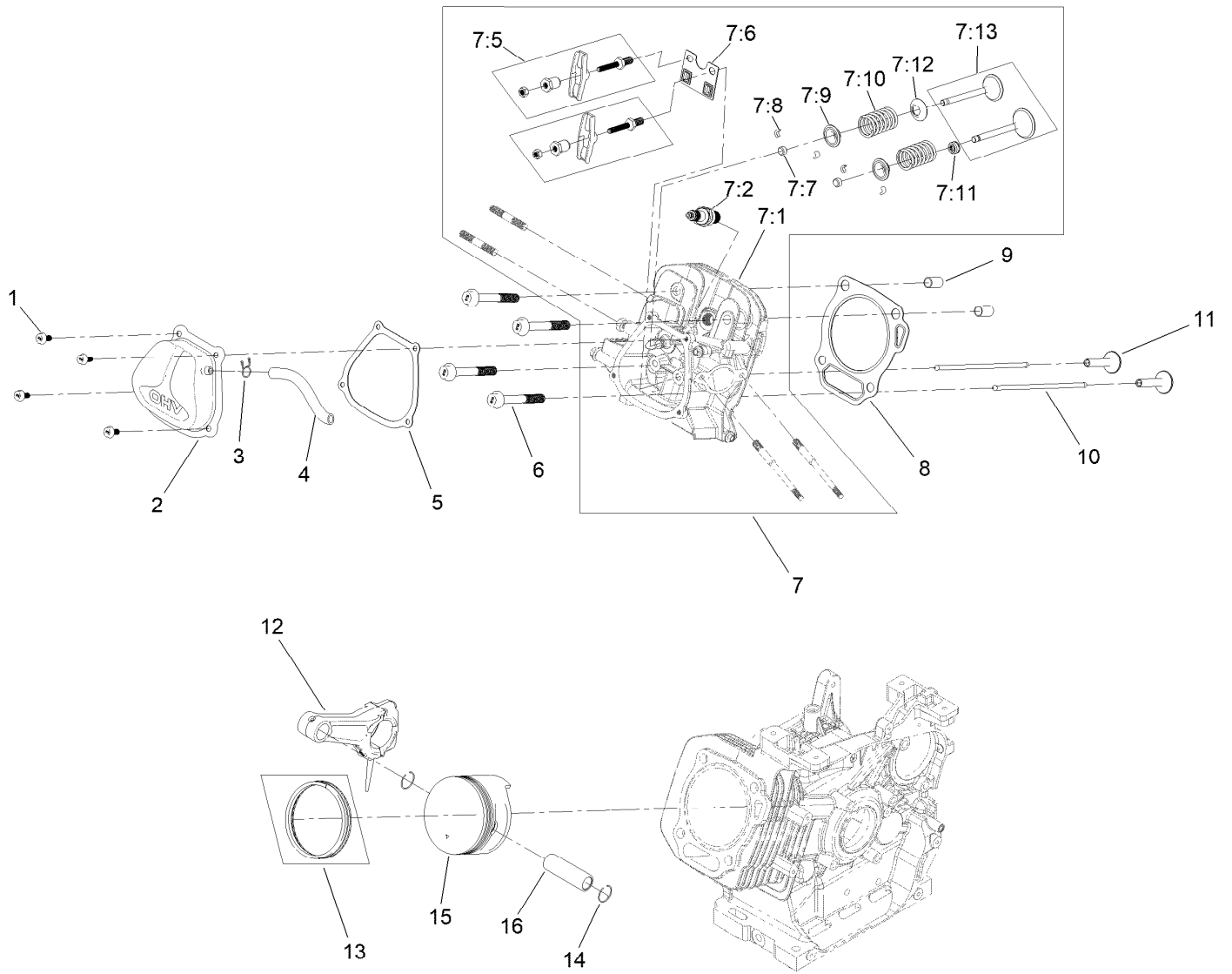
Governor Assembly



Governor Assembly (continued)

<i>Ref.</i>	<i>Part Number</i>	<i>Qty.</i>	<i>Description</i>	<i>Ref.</i>	<i>Part Number</i>	<i>Qty.</i>	<i>Description</i>
1	139-0564	1	Spring-Governor	8	139-0553	1	Shaft-Governor
2	139-0552	1	Nut-Flange	9	136-7944	1	Governor Gear ASM
3	139-0551	1	Arm-Governor	10	121-0261	1	Spring-Return, Throttle
4	120-4238	1	Bolt-Arm, Governor	11	139-0584	1	Rod-Governor
5	120-4257	1	Seal-Oil	12	121-0118	2	Screw-HHF
6	120-4256	1	Pin-Hair	13	139-0562	1	Throttle Control ASM
7	121-0311	1	Washer-Plain	14	121-0269	1	Knob-Control, Throttle

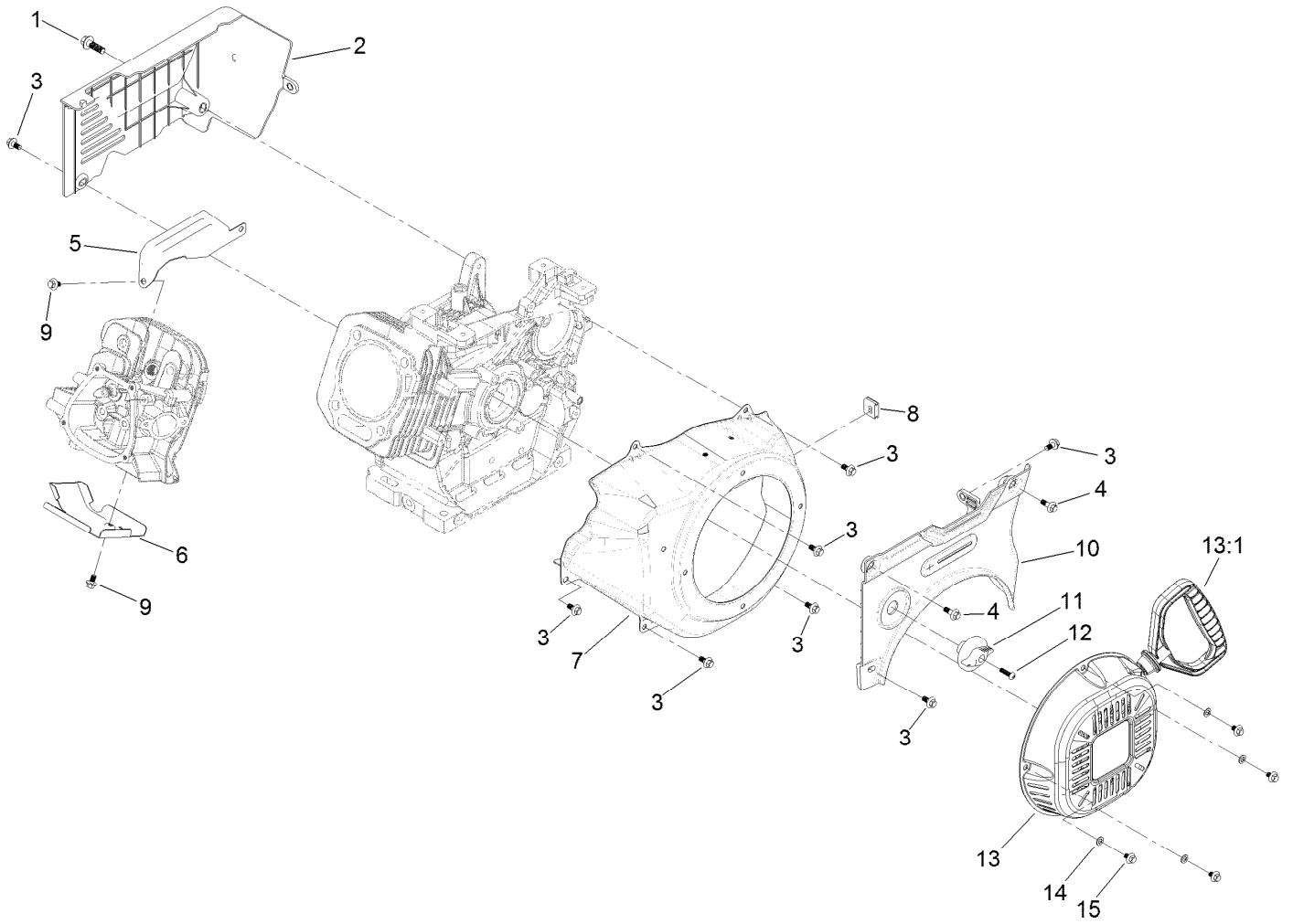
Piston and Head Assembly



Piston and Head Assembly (continued)

<i>Ref.</i>	<i>Part Number</i>	<i>Qty.</i>	<i>Description</i>	<i>Ref.</i>	<i>Part Number</i>	<i>Qty.</i>	<i>Description</i>
1	121-0044	4	Screw-HHF	7:10	120-4305	2	Spring-Valve
2	121-0233	1	Valve Cover ASM	7:11	120-4304	1	Seal-Stem, Valve
3	127-9408	1	Clamp-Hose	7:12	120-4303	1	Seat-Spring, Valve
4	144-0963	1	Tube-Breather	7:13	136-7940	1	Valve Set
5	121-0234	1	Gasket-Cover, Valve	8	139-0590	1	Gasket-Head, Cylinder
6	121-0302	4	Screw-HHF	9	120-4200	2	Pin-Dowel
7	139-0595	1	Complete Head ASM	10	136-7938	2	Rod-Push
7:1	136-7932	1	Head-Cylinder	11	120-4298	2	Lifter-Valve
7:2	81-3250	1	Spark Plug	12	136-7946	1	Connecting Rod ASM
7:5	121-0245	2	Rocker Arm ASM	13	144-0961	1	Ring Set, Piston
7:6	121-0247	1	Plate-Guide, Push Rod	14	120-4288	2	Ring-Retaining, Piston Pin
7:7	121-0244	2	Rotator-Valve	15	144-0960	1	Piston
7:8	120-4307	4	Keeper-Valve	16	120-4291	1	Pin-Piston
7:9	120-4306	2	Retainer-Spring, Valve				

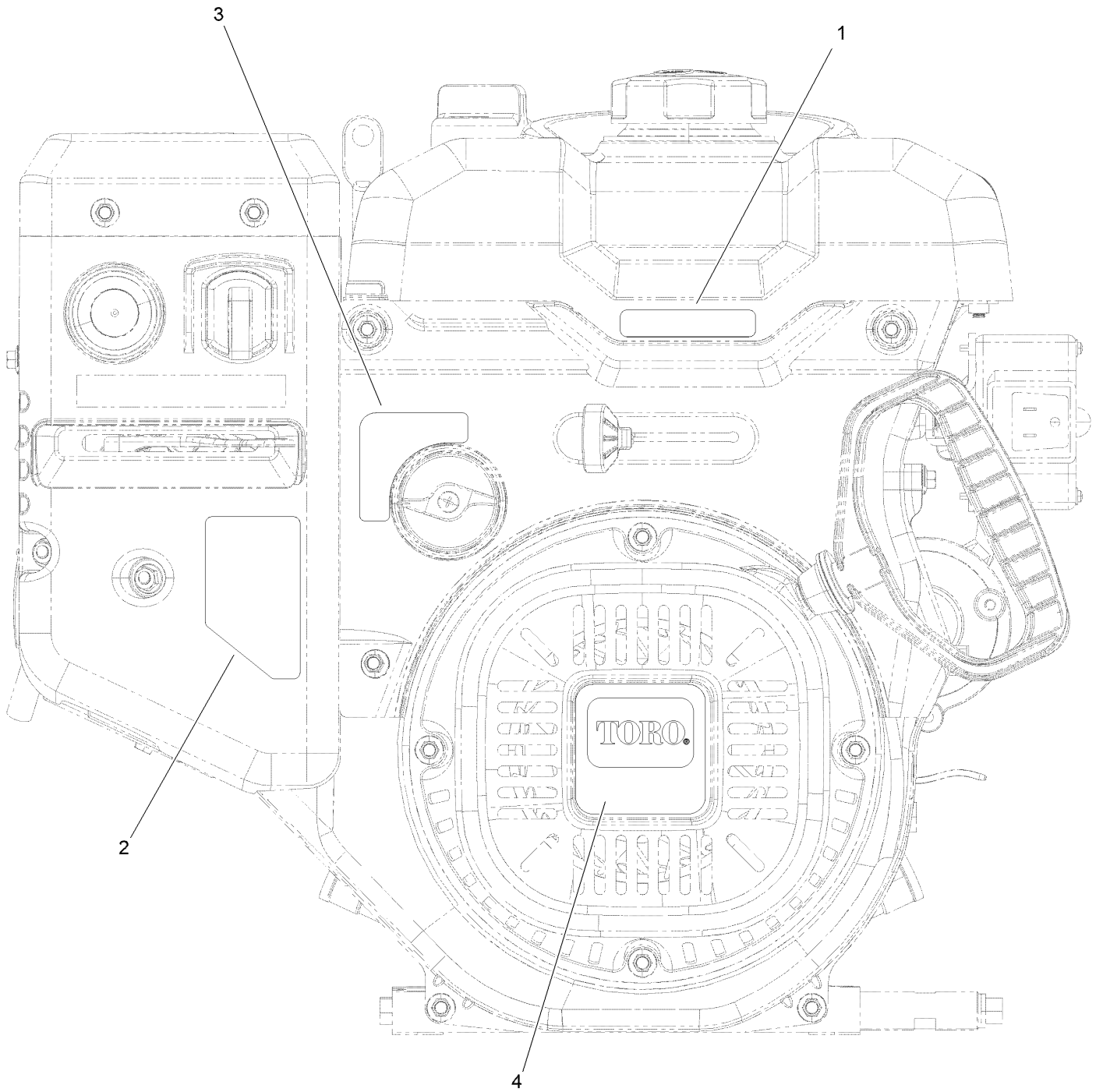
Blower Housing and Shrouds Assembly



Blower Housing and Shrouds Assembly (continued)

<i>Ref.</i>	<i>Part Number</i>	<i>Qty.</i>	<i>Description</i>	<i>Ref.</i>	<i>Part Number</i>	<i>Qty.</i>	<i>Description</i>
1	139-0575	1	Screw-HHF	9	121-0118	2	Screw-HHF
2	139-0576	1	Panel-Rear	10	139-0565	1	Panel-Control, Front
3	121-0294	8	Screw-HHF	11	121-0268	1	Knob-Valve, Fuel
4	121-0296	2	Screw-HHF	12	121-0305	1	Screw-Bhp
5	136-7937	1	Shroud-Head, Upper	13	139-0561	1	Recoil ASM
6	136-7933	1	Shroud-Head, Lower	13:1	121-0287	1	Handle-Recoil
7	121-0307	1	Shroud-Recoil	14	127-9380	4	Washer-Plain
8	121-0325	1	Grommet-Rubber	15	127-9031	4	Screw-HHF

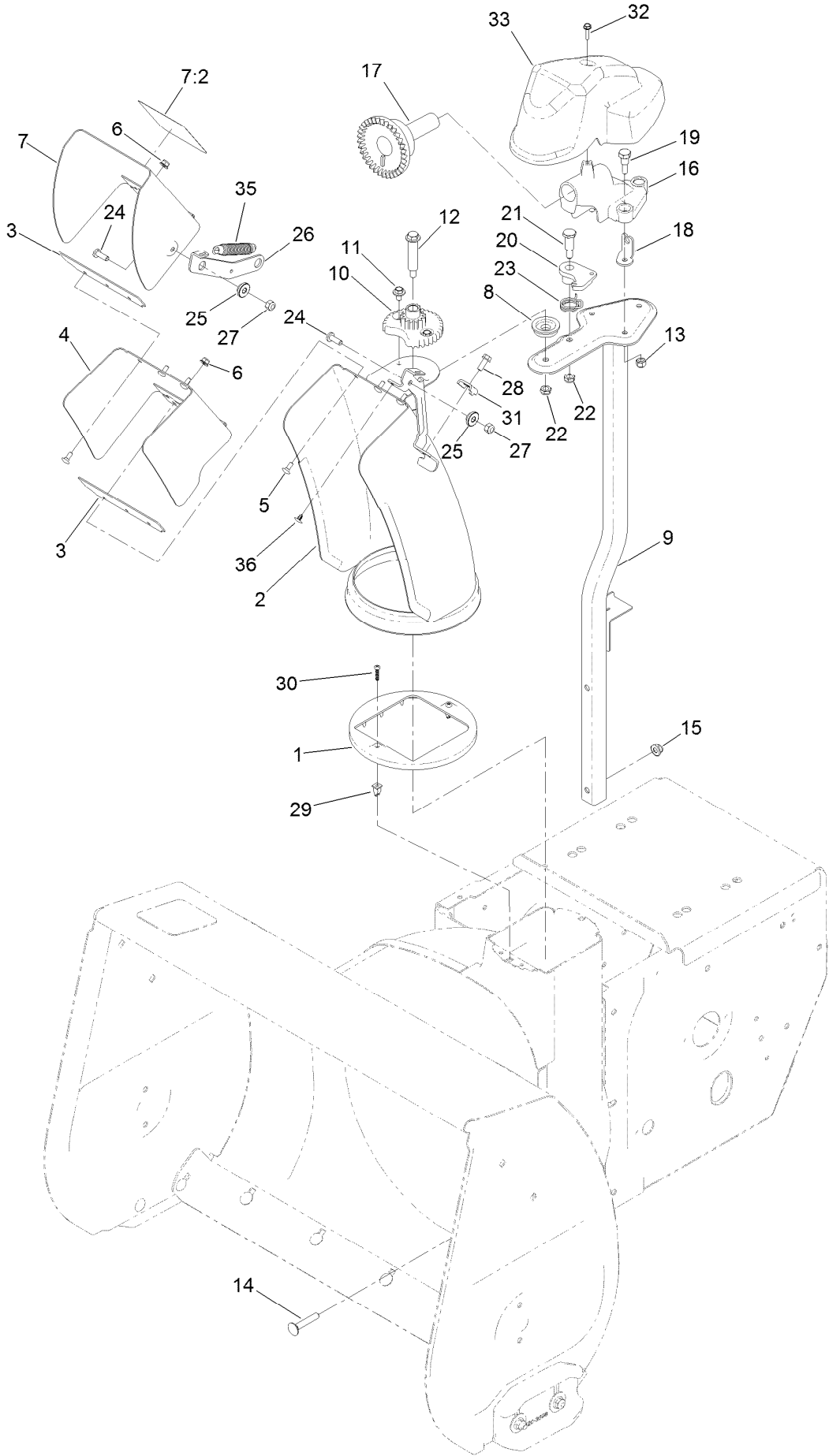
Engine Decal Assembly



Engine Decal Assembly (continued)

<i>Ref.</i>	<i>Part Number</i>	<i>Qty.</i>	<i>Description</i>	<i>Ref.</i>	<i>Part Number</i>	<i>Qty.</i>	<i>Description</i>
1	131-6487	1	Decal-Throttle	3	136-7825	1	Decal-Valve, Fuel
2	120-9805	1	Decal-Control, Engine	4	138-6622	1	Decal-Recoil

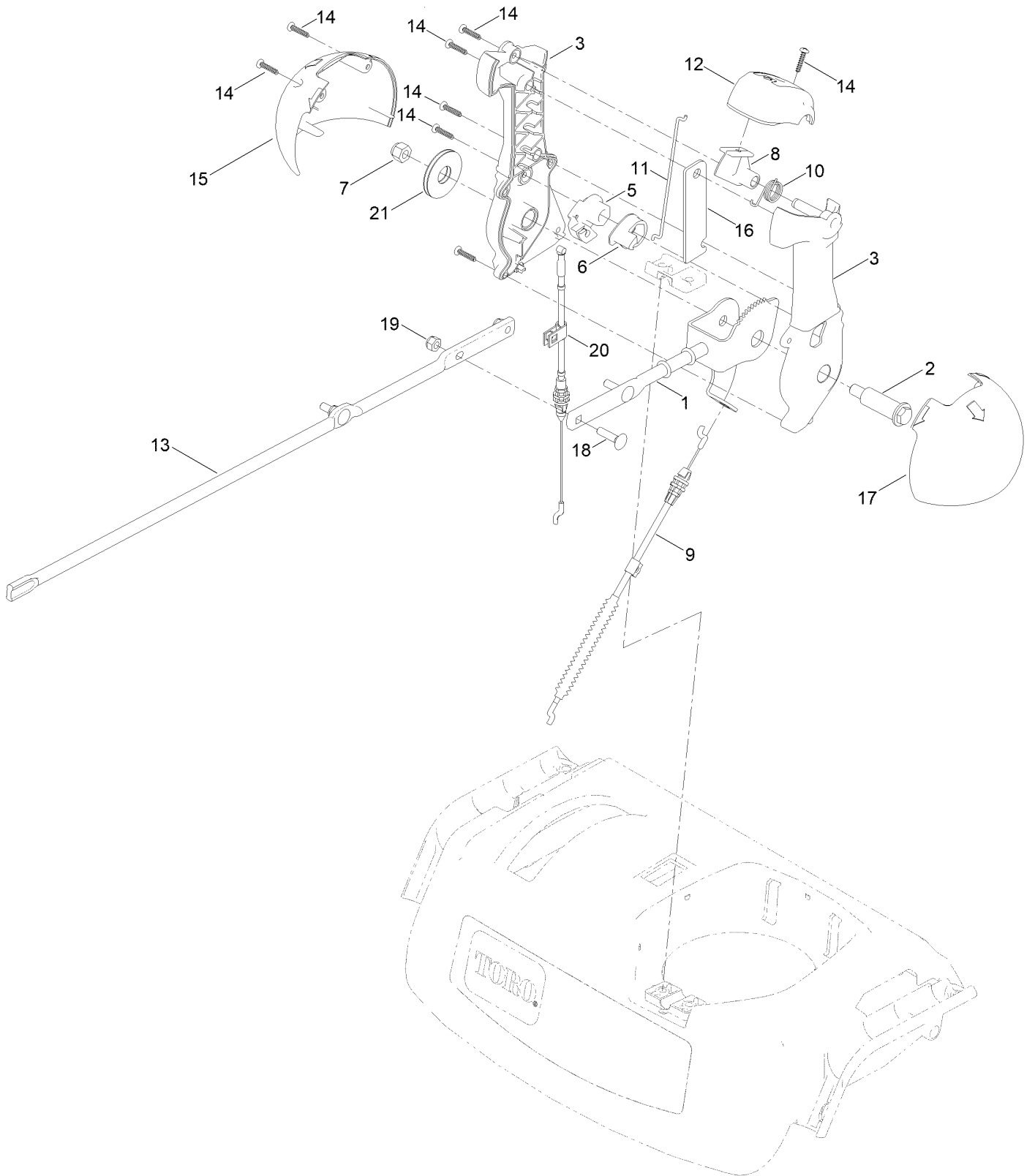
Chute Assembly



Chute Assembly (continued)

<i>Ref.</i>	<i>Part Number</i>	<i>Qty.</i>	<i>Description</i>	<i>Ref.</i>	<i>Part Number</i>	<i>Qty.</i>	<i>Description</i>
1	136-6515	1	Guide-Chute	18	136-6676	1	Anchor-Cable
2	136-6580-01	1	Lower Chute ASM	19	136-7197	3	Screw-Shoulder
3	138-3671	2	Gasket-Deflector	20	136-6525	1	Latch-Chute
4	136-6582-01	1	Middle Deflector ASM	21	137-3103	1	Screw-Shoulder, HH
5	135-1929	6	Bolt-CARR	22	137-3089	2	Nut-Hex
6	138-0719	6	Nut-HF	23	108-7315	1	Spring-Torsion
7	139-1564	1	Deflector ASM	24	138-0689	2	Screw-PH
7:2	121-6847	1	Decal-Danger	25	138-0687	2	Bushing-Pivot
8	106-4422	1	Spacer-Chute	26	136-6522	1	Link-Deflector
9	137-6245-03	1	Chute Post ASM	27	137-3094	2	Nut-Hex
10	106-4472	1	Gear-Chute	28	32144-85	1	Screw-HWH Thd Form
11	46-6810	2	Screw And Washer ASM	29	136-6586	2	Grommet-Screw
12	136-7199	1	Bolt-Shoulder	30	94-4496	2	Screw-PPH
13	137-3088	3	Nut-Hex	31	136-7191	1	Clamp-Cable
14	137-3063	2	Bolt-Car	32	137-3110	1	Screw-Plastite, HWH
15	119-4041	2	Nut-HF	33	136-6672	1	Cover-Gear, Face
16	136-6517	1	Mount-Gear, Face	35	132-6915	1	Spring-Extension
17	106-4471	1	Gear-Face	36	138-3651	1	Plug-Plastic

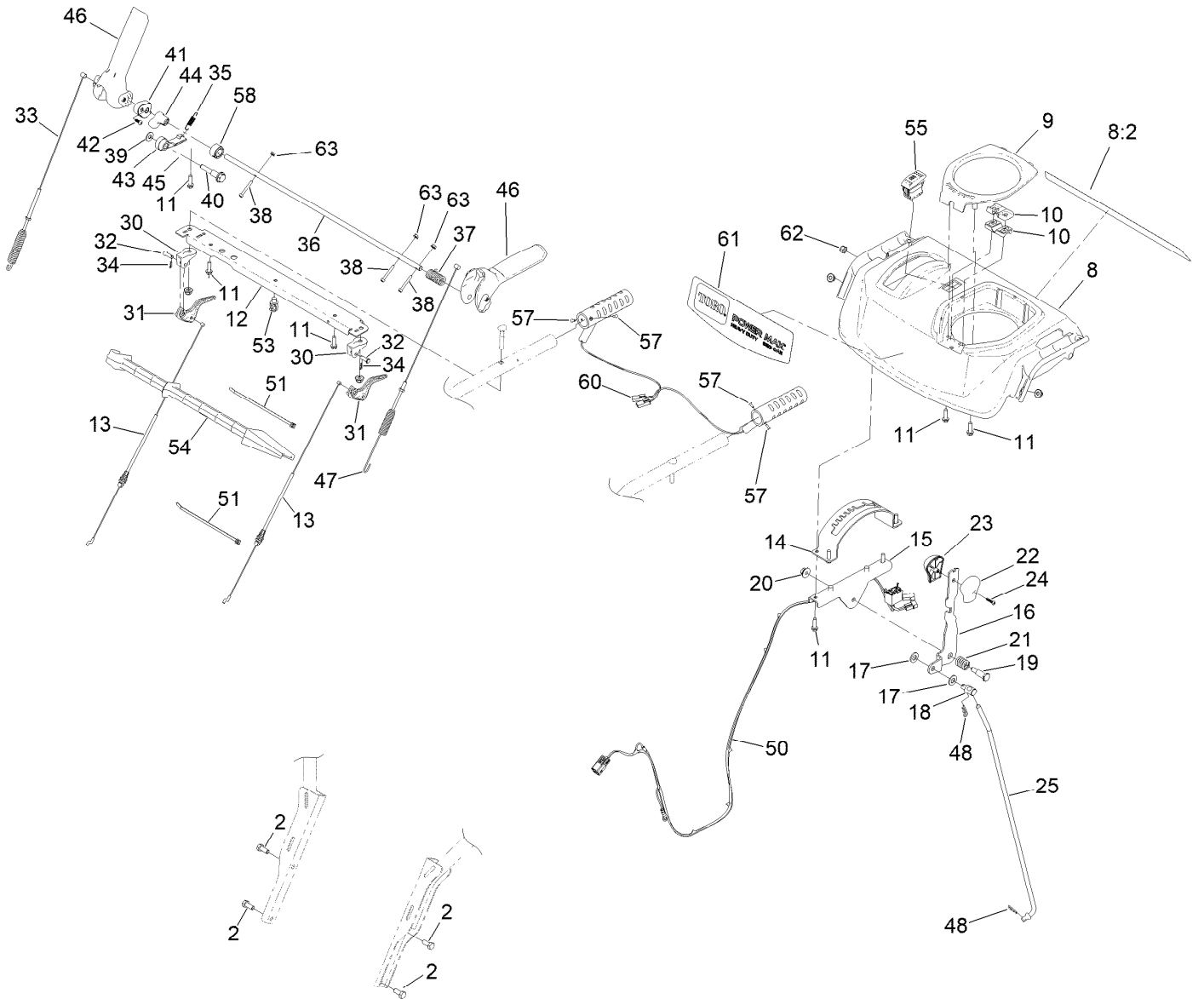
Chute Control Assembly



Chute Control Assembly (continued)

<i>Ref.</i>	<i>Part Number</i>	<i>Qty.</i>	<i>Description</i>	<i>Ref.</i>	<i>Part Number</i>	<i>Qty.</i>	<i>Description</i>
1	138-0662	1	Rod-Control, Chute	12	137-6239	1	Cap-Lever
2	138-0659	1	Screw-Shoulder, HWH	13	136-6578	1	Rod-Chute, Rotation
3	139-1552	1	Chute Control Lever ASM	14	94-4496	8	Screw-PPH
5	105-9988	1	Lever-Cable, Deflector	15	136-6677	1	Globe-Quickstick, RH
6	106-7310	1	Pawl-Latch	16	136-6632-03	1	Plate-Stiffner
7	137-3087	1	Nut-Hex	17	136-6678	1	Globe-Quickstick, LH
8	137-6238	1	Trigger-Latch	18	137-3056	3	Bolt-CARR
9	138-0730	1	Cable-Control, Deflector	19	137-3094	3	Nut-Hex
10	105-9982	1	Spring-Torsion	20	139-9903	1	Cable-Release, Chute
11	138-0688	1	Link-Latch	21	138-0744	1	Washer-Friction, Composite

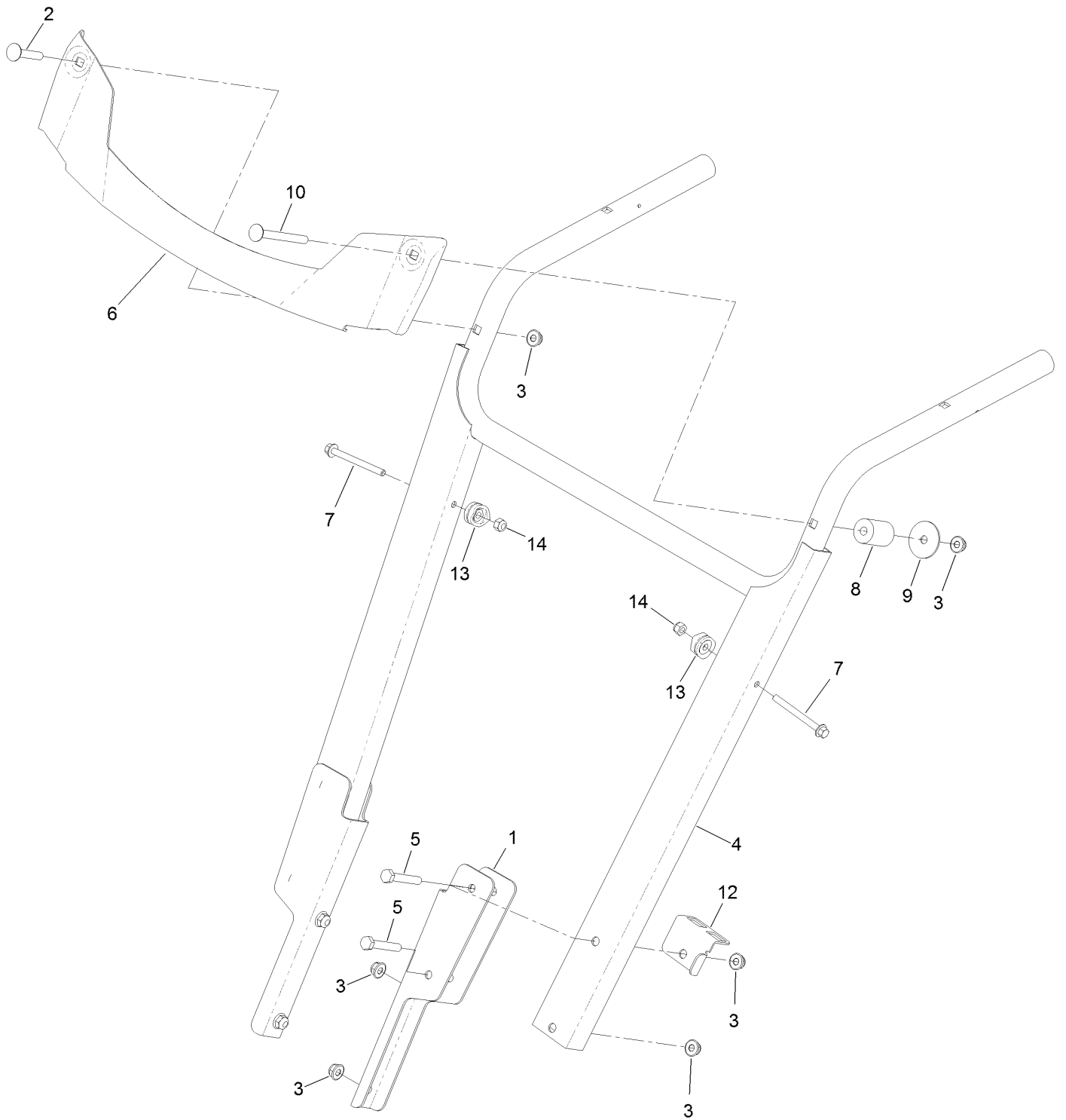
Traction Control Assembly



Traction Control Assembly (continued)

<i>Ref.</i>	<i>Part Number</i>	<i>Qty.</i>	<i>Description</i>	<i>Ref.</i>	<i>Part Number</i>	<i>Qty.</i>	<i>Description</i>
2	137-3052	4	Screw-HH	37	138-0678	1	Spring-Torsion, Handle Return
8	138-8488	1	Panel-Control	38	139-3694	3	Screw-HSH,Spl
8:2	138-0650	1	Decal-Safety	39	98-3499	1	Washer-Flat
9	137-6178	1	Cover-Quickstick	40	138-0681	1	Screw-Shoulder
10	105-9987	2	Support-Rod	41	137-6227	1	Lock-Handle
11	137-3099	9	Screw-Plastite, HWH	42	137-9137	1	Screw-PPH
12	137-6197-01	1	Brace-Console	43	137-6229	1	Latch-Lockout
13	138-0726	2	Cable-Clutch	44	138-8466	1	Cam-Lockout
14	137-6187-03	1	Gate-Shift	45	138-3652	1	Link-Lockout
15	137-6188-03	1	Bracket-Shift	46	137-6171	2	Lever-Control
16	137-6231-03	1	Selector-Speed	47	138-0728	1	Cable-Traction
17	115-1166	2	Washer-Plain	48	137-3083	2	Pin-Hair
18	136-7193	1	Trunnion-Rod	50	138-3644	1	Harness-Wire, LED And Hand Warmers
19	137-3103	1	Screw-Shoulder, HH	51	614249	2	Tie-Cable
20	137-3038	1	Nut-HF	53	32180-030	1	Clip-Tie
21	136-7121	1	Spring-Compression	54	110-3408	1	Stick-Cleanout
22	105-9999	1	Knob-Shift, LH	55	122-1124	1	Switch-Rocker, On-None-Off (Heater)
23	106-4423	1	Knob-Shift, RH	57	3290-271	4	Rivet-Pop
24	94-4496	1	Screw-PPH	58	138-8467	1	Collar-Cam
25	137-6225	1	Rod-Shift	60	127-5951	2	Grip-Heated
30	105-9980	2	Mount-Lever, Clutch	61	138-0657	1	Decal-Console
31	106-4505	2	Lever-Clutch	62	137-3093	1	Nut-Hex
32	1-808265	2	Pin-Clevis	63	140-3749	3	Nut-Lock Rohs
33	138-3661	1	Cable-Auger				
34	108-2992	2	Pin-Hair				
35	136-7161	1	Spring-Lockout, Handle				
36	137-6182	1	Rod-Lockout				

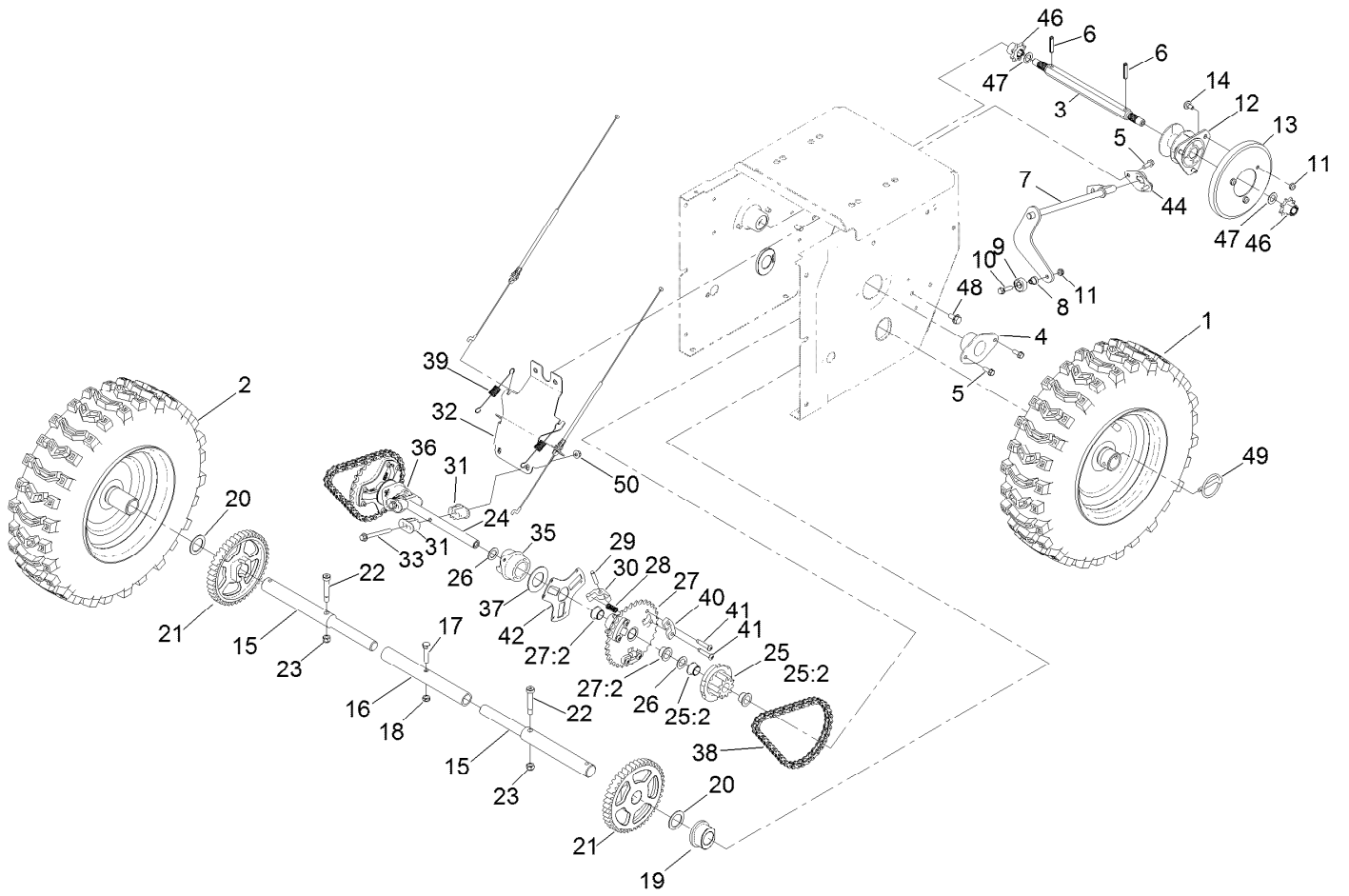
Handle Assembly



Handle Assembly (continued)

<i>Ref.</i>	<i>Part Number</i>	<i>Qty.</i>	<i>Description</i>	<i>Ref.</i>	<i>Part Number</i>	<i>Qty.</i>	<i>Description</i>
1	137-6221-03	2	Bracket-Handle, Lower	8	108-2301	1	Spacer
2	138-8402	1	Bolt-CARR	9	115-1151	1	Washer-Flat
3	138-8401	12	Nut-HF	10	138-0741	1	Screw-CARR
4	137-6224-03	1	HD Handle ASM	12	138-0724-03	1	Bracket-Stick, Cleanout
5	120-9686	4	Screw-HH	13	106-4509	2	Clamp-Cable
6	137-6233-01	1	Trim-Metal, HD	14	137-3094	2	Nut-Hex
7	138-3653	2	Screw-HHF				

Traction Drive Assembly



Traction Drive Assembly (continued)

<i>Ref.</i>	<i>Part Number</i>	<i>Qty.</i>	<i>Description</i>	<i>Ref.</i>	<i>Part Number</i>	<i>Qty.</i>	<i>Description</i>
1	136-6668	1	LH Wheel And Tire ASM	25:2	108-2973	2	Bushing-Flange
2	136-6667	1	RH Wheel And Tire ASM	26	108-0015	4	Washer-Flat
3	125-1135	1	Shaft-Hex	27	107-8895	2	32T Sprocket ASM
4	108-7319	2	Retainer-Bearing	27:2	108-2973	2	Bushing-Flange
5	32144-85	6	Screw-HWH Thd Form	28	107-8885	6	Spring-Compression
6	32121-9	2	Pin-Roll, Slotted	29	107-8899	6	Pin-Dowel
7	137-6162-03	1	Rod-Shift	30	107-8879	6	Pawl-Clutch
8	119-7684	1	Spacer-Plate, Shift	31	107-8889	4	Guide-Collar
9	121-6835	1	Bearing-Ball	32	136-6648-03	1	Brace-Shift, Collar
10	32144-86	1	Screw-HWHTF	33	138-3653	2	Screw-HHF
11	137-3091	4	Nut-Hex	35	107-8887	1	Collar-Shift, LH
12	119-7630	1	Trunnion	36	107-8888	1	Collar-Shift, RH
13	119-1567	1	Wheel-Friction	37	107-8891	2	Washer-Thrust
14	137-6246	3	Screw-Shoulder	38	108-0016	2	Chain-Roller
15	136-6640	2	Axle	39	107-8893	2	Spring-Extension
16	106-7259	1	Tube-Axle	40	107-8880	6	Support-Pawl
17	137-3051	1	Screw-HH	41	137-3010	12	Screw-BHCS
18	137-3089	1	Nut-Hex	42	136-7318	2	Retainer-Pawl, Pin
19	136-6641	2	Bushing-Axle	44	136-6647-03	1	Retainer-Rod, Shift
20	138-0725	2	Washer-Thrust	46	125-1134	2	Gear-Pinion, 8 Tooth
21	136-6642	2	Gear-Axle	47	36-4780	2	Washer-Plain
22	138-0720	2	Bolt-Shoulder, HSH	48	32144-14	2	Screw-HWHTF
23	137-3093	2	Nut-Hex	49	138-3642	2	Pin-Klik
24	107-8883	1	Shaft-Intermediate	50	119-4040	2	Nut-HF, NI
25	107-8894	2	11T Gear ASM				

Attachments and Accessories

For 38865 Power Max Heavy Duty 1432 OHXE Snowthrower

Product Name	Model/Part
Heavy-Duty Skid Kit.....	125-1104
Heated Grip Kit.....	131-6460
Kit-Cab.....	139-1640
Non-Marking Skid Kit.....	38211
Tire Chain Kit, 16in Tires.....	38215
Toro Snow Oil 0W30 Synthetic 20-Ounce Bottle.....	38913
Power Max HD Covers (2019).....	490-7415

Notes:

Notes:

Notes:



Count on it.