



Foam Marker Kit

Multi Pro 1200, 1250, and 5600 Turf Sprayers

Model No. 41572 - 230000001 and up.

Parts Catalog

Ordering Replacement Parts

To order replacement parts, please supply: the part number, the quantity, and the description of each part desired.

Understanding Reference Numbers

Each identified part in an illustration has a reference number. The reference number for a part also appears in the parts list, along with other information about the part.

This catalog uses two special reference number formats, one to indicate parts in a service assembly and another to indicate the quantity of a given part in an illustration.

Service Assembly Reference Numbers

Parts in service assemblies have reference numbers in the form **a:b**. The **a** represents the reference number of the entire service assembly and the **b** represents a sequential number unique to each part within the service assembly.

For example, a wheel assembly might be identified by reference number 6, the tire by **6:1**, the valve by **6:2**, and the wheel by **6:3**. When you order the assembly identified by reference number 6, you receive all parts identified by reference numbers 6:1, 6:2, and 6:3. However, you may also order any part individually. Reference numbers of this type appear in illustrations and in part lists.

Reference Numbers Indicating Quantity

In an illustration, if a reference number indicates more than one part, the reference number has the form **nX y**. The **n** represents the quantity of the part, the **X** is the multiplication symbol, and the **y** represents the reference number.

For example, in an illustration, the reference number **2X 37** means that two of the parts identified by reference number 37 are indicated.

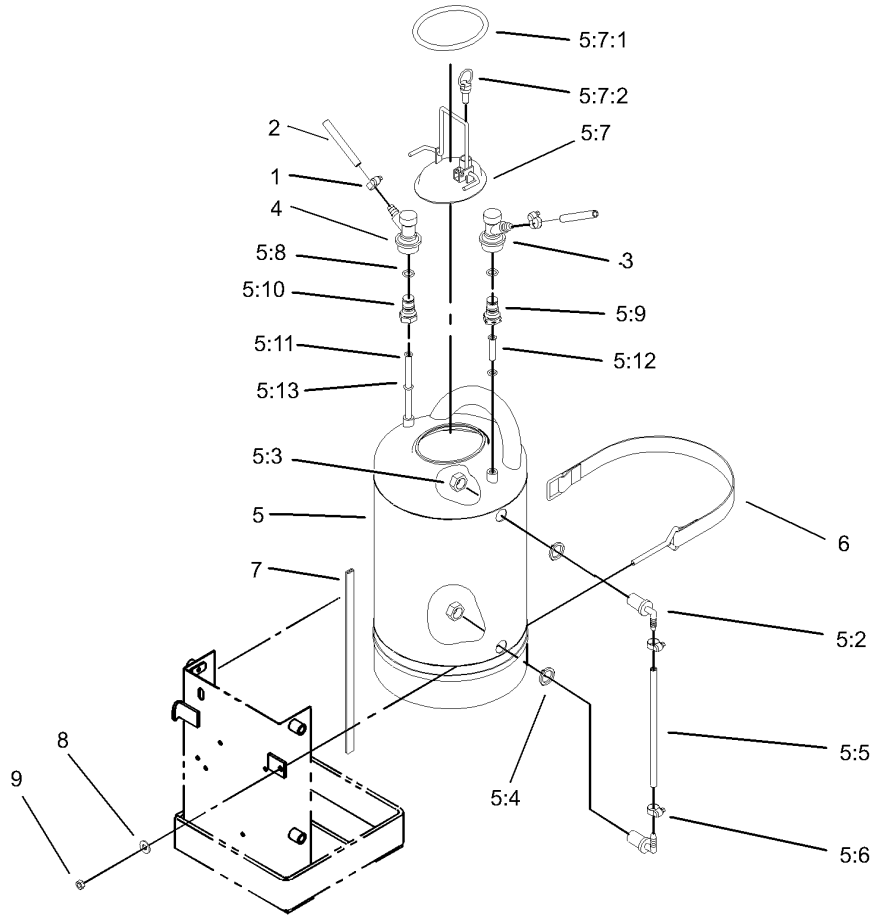
Part Description Abbreviations

Part descriptions in this catalog may include the following abbreviations.

AR.	as required	HWHTF.	hex washer head thread forming
ASM.	assembly	HYD.	hydraulic
CARR.	carriage	INC.	incorporated
DEG.	degrees	LH.	left hand
FH.	flat head	NI.	nylon insert
GA.	gauge	PPH.	phillips pan head
HF.	hex flange	PTH.	phillips truss head
HH.	hex head	PTO.	power take off
HHF.	hex head flange	RH.	right hand
HHFTF.	hex head flange thread forming	SFH.	slotted fillister head
HJ.	hex jam	SHH.	slotted hex head
HLH.	hex lag head	SHWH.	slotted hex washer head
HOC.	height-of-cut	SPH.	slotted pan head
HS.	hex	SQH.	square head
HSBH.	hex socket button head	SRH.	slotted round head
HSFH.	hex socket flat head	STD.	standard
HSH.	hex socket head	TAP.	self tapping
HWH.	hex washer head	TTH.	torx truss head

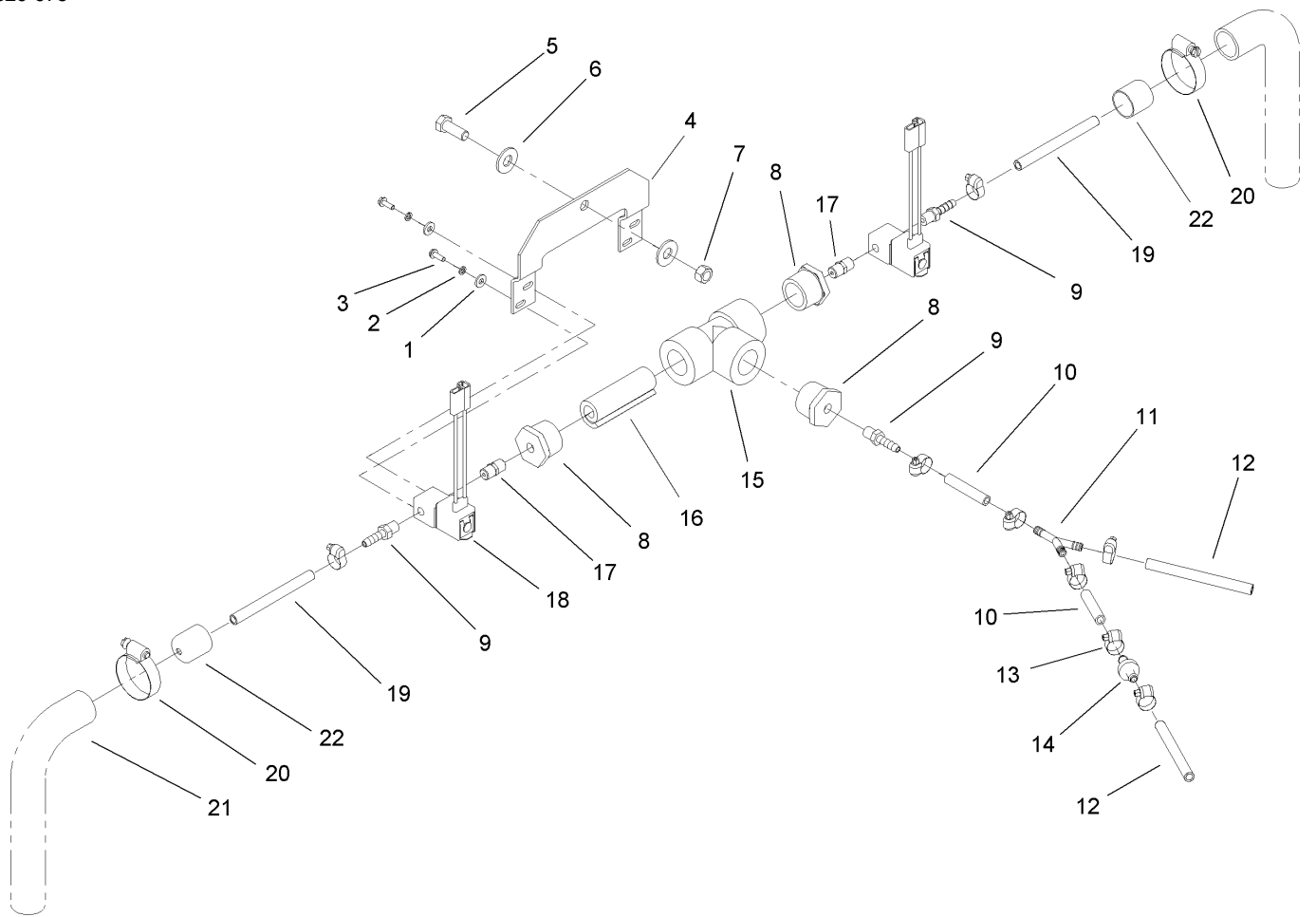
Contents

Description	Page
Sprayer Tank Assembly 3
Valve Assembly 4
Solenoid Valve Assembly 5
Compressor Assembly 6
Wire Harness and Switch Assembly 7



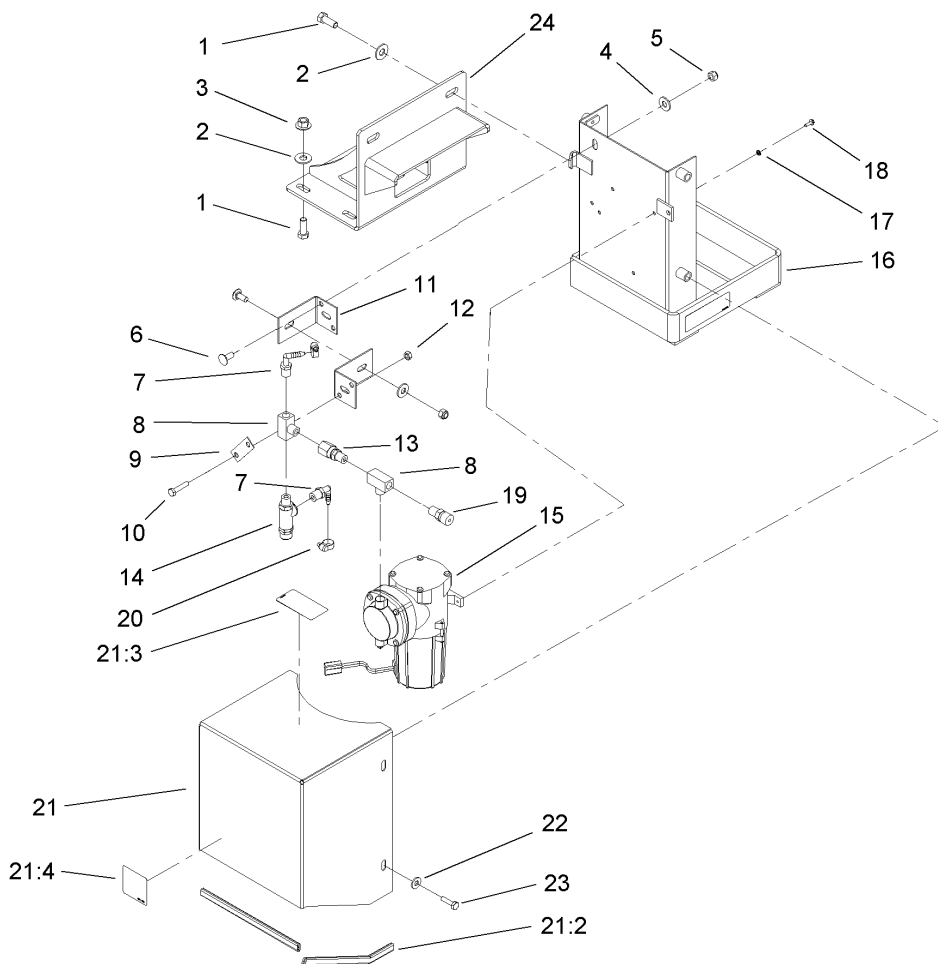
Sprayer Tank Assembly

Ref	Part No.	Qty.	Description
1	2412-108	2	Clamp-Worm
2	94-7258	2	Hose
3	94-7193	1	Connector-Quick
4	94-7194	1	Connector-Quick
5	94-7253	1	Tank
5:2	94-7254	2	Elbow
5:3	94-7255	2	Nut
5:4	94-7256	2	Washer
5:5	94-7257	1	Hose
5:6	2412-108	2	Clamp-Worm
5:7	94-8545	1	Lid W/valve
5:7:1	94-8544	1	Gasket-Lid
5:7:2	94-8546	1	Valve
5:8	94-8547	2	O-Ring
5:9	94-8548	1	Plug ASM
5:10	94-8549	1	Plug ASM
5:11	94-8550	1	Tube-Inlet
5:12	94-8551	1	Tube-Dip
5:13	94-8552	1	O-Ring
6	762035	1	Strap
7	94-7259	2	Trim
8	3256-2	1	Washer-Flat
9	3296-56	1	Nut-Lock, NI



Valve Assembly

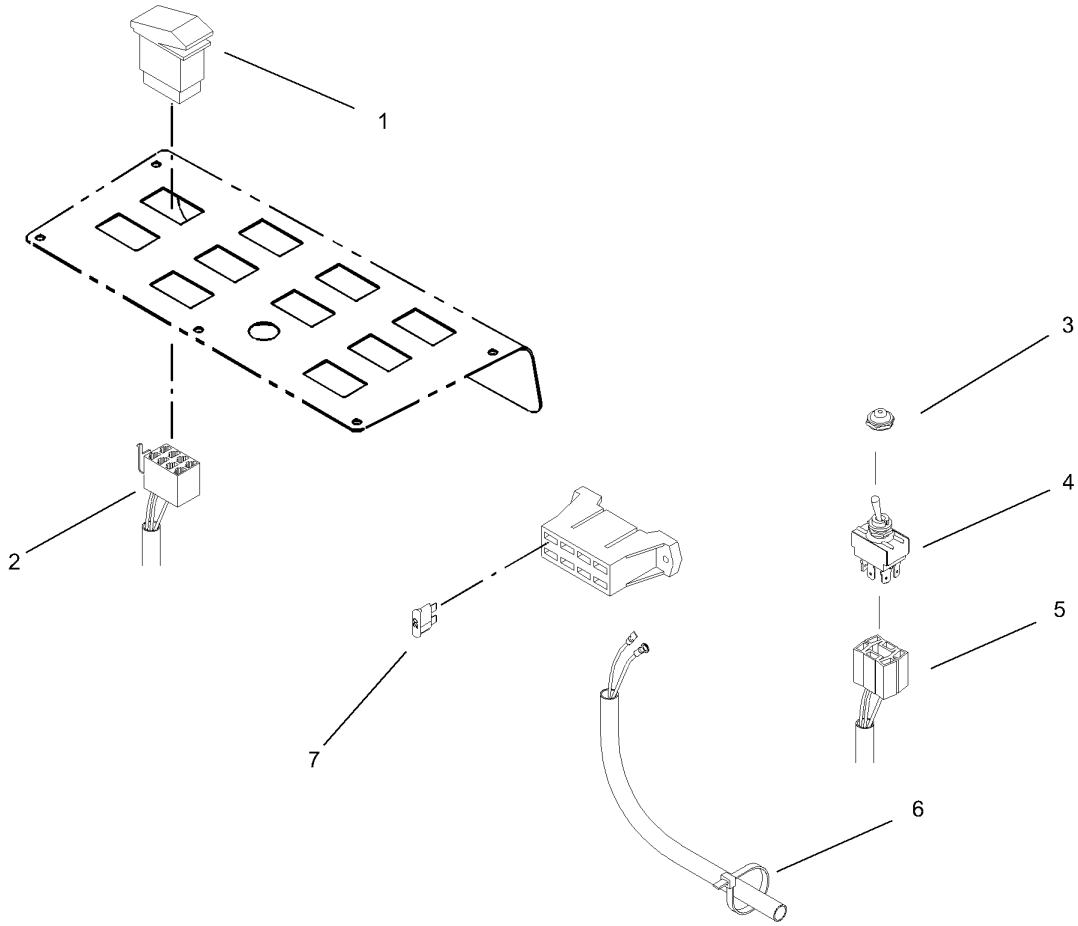
Ref	Part No.	Qty.	Description
1	3256-14	4	Washer-Flat
2	3253-17	4	Washer-Lock/sp
3	32144-87	4	Screw-Forming, Thread
4	94-7251	1	Bracket-Mixer
5	323-6	1	Screw-HH
6	3256-4	2	Washer-Flat
7	32153-2	1	Nut-Lock
8	94-7225	3	Plug
9	94-7220	3	Hose-Barb
10	94-7250	2	Hose-Clear Vinyl
11	94-7223	1	Hose-Barb
12	94-7247	2	Hose-Clear Vinyl
13	2412-108	8	Clamp-Worm
14	94-7196	1	Valve
15	41305	1	Tee
16	94-7227	1	Filter
17	94-7224	2	Nipple
18	94-7191	2	Solenoid Valve ASM
19	94-7248	2	Hose-Clear Vinyl
20	2412-111	2	Clamp
21	93-0611	2	Extension-Hose
22	94-7195	2	Cap



Compressor Assembly

Ref	Part No.	Qty.	Description
1	323-6	6	Screw-HH
2	3256-4	6	Washer-Flat
3	32128-43	4	Nut-Flange
4	3256-3	2	Washer-Flat
5	3296-29	2	Nut-Lock, NI
6	3230-23	2	Screw-CARR
7	94-7221	2	Barb-Hose
8	94-7219	2	Fitting-Tee
9	94-7268	1	Strap-Support
10	321-8	2	Screw-HH
11	94-7267-03	2	Bracket-Support
12	3296-56	2	Nut-Lock, NI
13	94-7199	1	Valve-Inline Check
14	94-7198	1	Valve-Side Outlet Relief
15	94-7200	1	Compressor ASM
16	94-7260-03	1	Tank Bracket ASM
17	3253-17	3	Washer-Lock/sp
18	32144-87	3	Screw-Forming, Thread
19	94-7197	1	Valve-Relief
20	2412-108	2	Clamp-Worm
21	106-1044	1	Cover ASM
21:2	106-1043	3	Trim-Strip
21:3	94-7275	1	Decal-Relief Valve
21:4	94-7287	1	Decal-Adjustment Valve
22	3256-2	4	Washer-Flat

Ref	Part No.	Qty.	Description
23	321-6	4	Screw-HH
24	100-8624-03	1	Mounting Bracket ASM



Wire Harness and Switch Assembly

Ref	Part No.	Qty.	Description
1	95-8999	2	Switch
2	100-8630	2	Extension-Harness
3	92-8531	2	Boot-Switch
4	94-7243	2	Switch
5	94-7217	1	Harness-Wire
6	3290-379	13	Tie-Cable
7	109101	1	Fuse-20 Amp

--	--	--	--

